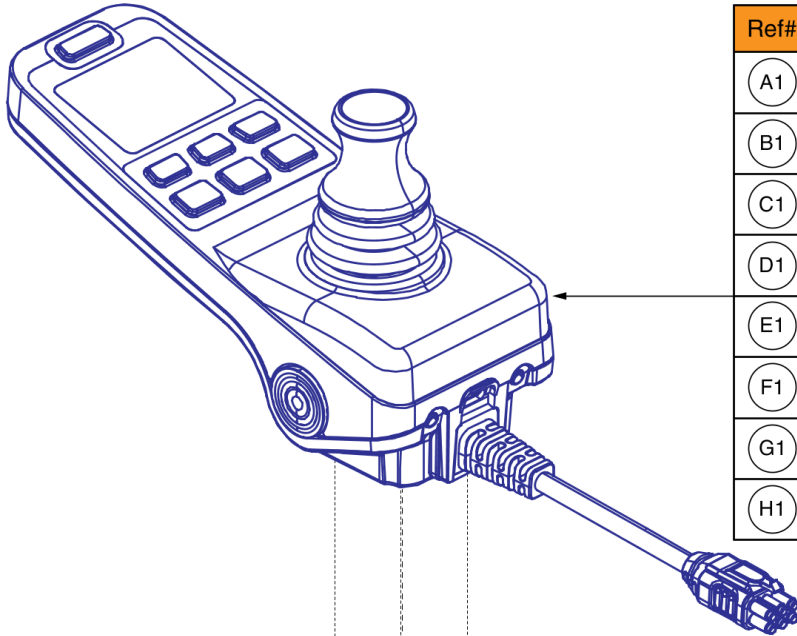


Q-Logic 3e Joysticks

Joystick Replacement Notes:

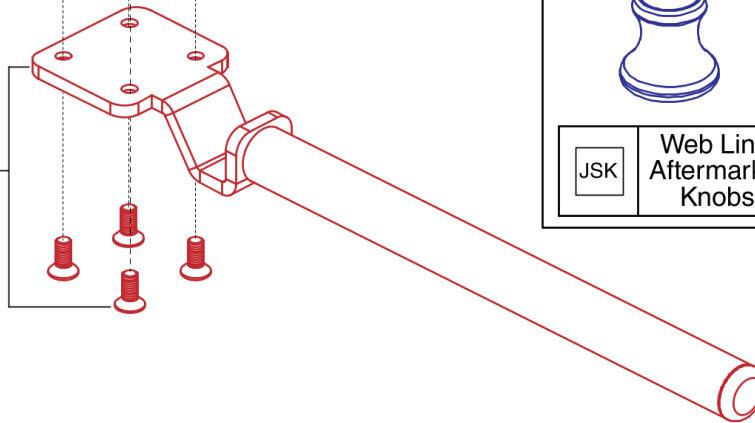
- The proper joystick assembly with programming must be selected to ensure the unit functions as intended.
- A pre-programmed SD card is NOT needed when replacing or retrofitting a Q-Logic 3e joystick on a unit. The latest firmware and program file are stored internally on the new joystick.
- The Q-Logic 3e joystick is compatible with all previous and current units equipped with Q-Logic 3 electronics and can be used in place of the Q-Logic 3 EX joystick.

Contact Technical Service for more information.



Q6 Edge 3 Joysticks w/ Programming			
Ref#	Part Number	Motors	Seating Config.
(A1)	ELE2001185	6 mph Standard	Power Positioning
(B1)	ELE2001186	6 mph Standard	Static Seat
(C1)	ELE2008629	7 mph Standard	Power Positioning
(D1)	ELE2008630	7 mph Standard	Static Seat
(E1)	ELE2001187	6 MPH Linix, Accu Trac	Power Positioning
(F1)	ELE2001188	6 MPH Linix, Accu Trac	Static Seat
(G1)	ELE2008631	7 MPH Linix, Accu Trac	Power Positioning
(H1)	ELE2008632	7 MPH Linix, Accu Trac	Static Seat

Joystick Mounts & Receivers	
(I1)	Standard Inline
JSM	Web Link: Additional Mounts
JSR	Web Link: Joystick Receivers



Replacement Components			
(J1)	Joystick Knob		Overlay w/ Installation Instructions
			(K1)
JSK	Web Link: Aftermarket Knobs		(L1) Rubber Boot

Note: Web Links

- This page uses special callouts and parts to redirect users to additional IPB pages when viewed online via the interactive parts lookup system.
- A square callout and "Web Link" designation in the part description denotes their usage.
- To get back to this page after using the web link you **must** use the back button in your web browser.
- If viewing this page through a PDF document, please locate the subsequent pages through the table of contents as needed.
- Contact technical service for additional information.

Item	Part No.	Name	Qty
A1	ELE2001185	SERVICEABLE ASSEMBLY, Q-LOGIC 3E, Q6EDGE 3, 6MPH LINIX MOTORS, POWER POSTIONING	1
B1	ELE2001186	SERVICEABLE ASSEMBLY, Q-LOGIC 3E, Q6EDGE 3, 6MPH LINIX MOTORS, STATIC SEATING	1
C1	ELE2008629	SERVICEABLE ASSEMBLY, Q-LOGIC 3E, Q6EDGE3 PROGRAM,7MPH 4-POLE LINIX MOTORS,Q-LOGIC 3,POWER POSITIONING	1
D1	ELE2008630	SERVICEABLE ASSEMBLY, Q-LOGIC 3E, Q6EDGE3 PROGRAM,7MPH 4-POLE LINIX MOTORS, Q-LOGIC 3,STATIC SEATING	1
E1	ELE2001187	SERVICEABLE ASSEMBLY, Q-LOGIC 3E, Q6EDGE 3, 6MPH LINIX MOTORS ACCU TRAC, POWER POSITIONING	1
F1	ELE2001188	SERVICEABLE ASSEMBLY, Q-LOGIC 3E, Q6EDGE 3, 6MPH LINIX MOTORS ACCU TRAC, STATIC SEATING	1
G1	ELE2008631	SERVICEABLE ASSEMBLY, Q-LOGIC 3E, Q6EDGE3 PROGRAM,7MPH 4-POLE LINIX MOTORS ACCU TRAC,Q-LOGIC 3,POWER POSITIONING	1
H1	ELE2008632	SERVICEABLE ASSEMBLY, Q-LOGIC 3E, Q6EDGE3 PROGRAM,7MPH 4-POLE LINIX MOTORS ACCU TRAC,Q-LOGIC 3,STATIC SEATING	1
I1	FRMASMB10617	JOYSTICK MOUNTING BRACKET,ASSY,CURTIS,INLINE	1
J1	DGN154742	JOYSTICK, KNOB, Q-LOGIC 3, 6.35MM-ID, (CURTIS: 17519114-01)	1
K1	KIT2008010	Q-LOGIC 3E KEYPAD REPLACEMENT KIT WITH INSTRUCTIONS	1
L1	RECPART1006	RECON,JOYSTICK RUBBER BOOT,(P&G: 283-77.10.004)	1
JSM		WEB LINK,IPB,JOYSTICK MOUNTING BRACKETS (This is not an orderable part, see IPB)	0
JSK		WEB LINK,IPB,AFTERMARKET JOYSTICK KNOBS (This is not an orderable part, see IPB)	0
JSR		WEB LINK,IPB,JOYSTICK RECEIVER MOUNTS (This is not an orderable part, see IPB)	0