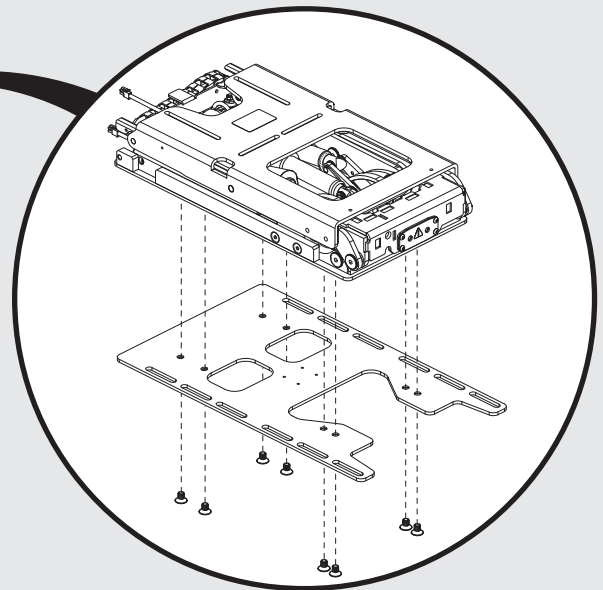


Illustrated Parts Breakdown



This Illustrated Parts Breakdown (IPB) Catalog has been compiled from the latest product information available at the time of publication. Quantum Rehab[®] / Pride Mobility Products[®] Corporation reserves the right to make changes and updates to this manual and to the product(s) it represents. Any changes, updates, or improvements to the product(s) may result in slight differences between this manual and the product that has been purchased.

An IPB is a graphically portrayed parts listing of product components which have been deemed to have serviceable, maintenance significance. When applicable, IPBs utilize “exploded” illustrations that detail serviceable components and a corresponding itemized parts list of reference numbers, part numbers, descriptions, quantities, and any applicable pricing. Most product components are incorporated into assemblies and may not be available for replacement.

Serviceable components will be noted by a callout in the illustration that will correspond to a alphanumeric reference number in the parts list. Items may also be listed in the parts list by parent assemblies. In most cases when a parent assembly is listed, there will be child parts or sub-assemblies listed under that parent.

For example: The parent assembly reference number is A1 — A5. That part contains all of the items listed as and contained within A1, A2, A3, A4, & A5. As long as these subcomponents have a callout associated with them, they can be selected for replacement or quote.

Updates to the contents of an IPB will be made on a regular basis based upon applicable product changes and enhancements. This PDF catalog has been export from the Provider based service site. The most up to date parts look up tool and ordering application is located at: prideprovider.com. Please utilize this system to enhance your user experience. It is built with highly interactive materials that are set with relational properties that will facilitate easier part look-up, more accurate parts selection, notification of onhand part availability, and quick links to related documents and products.

We welcome all questions and comments regarding the Quantum Rehab[®] / Pride Mobility Products[®] Corporation IPB systems.

Any pricing that is included in Quantum Rehab[®] /Pride Mobility Products[®] Corporation IPBs is subject to change without prior notice.

Thank you for choosing products from Quantum Rehab[®] and Pride Mobility Products[®] Corporation.



REAC Lift / I-Level Mechanical & Seating Components

1. Seat Base Assy's (REAC L&T)

1.1. Seat Bases, 12"-14"W (REAC L&T)

Q6 Edge Series

12-14"W x 12-16"D REAC L&T Seat Base, Q6 Edge Series	1
------------------------------------------------------	---

R44 (Rival)

12-14"W x 12-16"D REAC L&T Seat Base, R44 (Rival)	3
---------------------------------------------------	---

4Front

12-14"W x 12-16"D REAC L&T Seat Base, 4Front	5
----------------------------------------------	---

Q6 Edge 3 Stretto

12-14"W x 12-16"D REAC L&T Seat Base, Q6 Edge 3 Stretto	7
---------------------------------------------------------	---

1.2. Seat Bases, 14"-16"W (REAC L&T)

Q6 Edge Series

14-16"W x 14-16"D REAC L&T Seat Base, Q6 Edge Series	9
14-16"W x 16-20"D REAC L&T Seat Base, Q6 Edge Series	11
14-16"W x 14-16"D REAC L&T Seat Base, WC-19 Transit, Q6 Edge Series	13

R44 (Rival)

14-16"W x 14-16"D REAC L&T Seat Base, R44 (Rival)	15
14-16"W x 16-20"D REAC L&T Seat Base, R44 (Rival)	17

4Front

14-16"W x 14-16"D REAC L&T Seat Base, 4Front	19
14-16"W x 16-18"D REAC L&T Seat Base, 4Front	21
14-16"W x 20"D REAC L&T Seat Base, 4Front	23
14-16"W x 14-16"D REAC L&T Seat Base, WC-19 Transit, 4Front	25

Q6 Edge 3 Stretto

14-16"W x 14-16"D REAC L&T Seat Base, Q6 Edge 3 Stretto	27
14-16"W x 14-16"D REAC L&T Seat Base, WC-19 Transit, Q6 Edge 3 Stretto	29
14-16"W x 16-20"D REAC L&T Seat Base, Q6 Edge 3 Stretto	31

1.3. Seat Bases, 16"-20"W (REAC L&T)

Q6 Edge Series

16-20"W x 16-20"D REAC L&T Seat Base, Q6 Edge Series	33
16-20"W x 20-24"D REAC L&T Seat Base, Q6 Edge Series	35
16-20"W x 16-20"D REAC L&T Seat Base, WC-19 Transit, Q6 Edge Series	37

R44 (Rival)

16-20"W x 16-20"D REAC L&T Seat Base, R44 (Rival)	39
16-20"W x 20-24"D REAC L&T Seat Base, R44 (Rival)	41

4Front

16-20"W x 16-18"D REAC L&T Seat Base, 4Front	43
16-20"W x 20"D REAC L&T Seat Base, 4Front	45
16-20"W x 20-24"D REAC L&T Seat Base, 4Front	47
16-20"W x 16-20"D REAC L&T Seat Base, WC-19 Transit, 4Front	49

Q6 Edge 3 Stretto

16-20"W x 16-20"D REAC L&T Seat Base, Q6 Edge 3 Stretto	51
---------------------------------------------------------	----

16-20"W x 16-20"D REAC L&T Seat Base, WC-19 Transit, Q6 Edge 3 Stretto	53
16-20"W x 20-24"D REAC L&T Seat Base, Q6 Edge 3 Stretto	55

1.4. Seat Bases, 20"-24"W (REAC L&T)

Q6 Edge Series

20-24"W x 16-20"D REAC L&T Seat Base, Q6 Edge Series	57
20-24"W x 20-24"D REAC L&T Seat Base, Q6 Edge Series	59

R44 (Rival)

20-24"W x 16-20"D REAC L&T Seat Base, R44 (Rival)	61
20-24"W x 20-24"D REAC L&T Seat Base, R44 (Rival)	63

4Front

20-24"W x 16-18"D REAC L&T Seat Base, 4Front	65
20-24"W x 20"D REAC L&T Seat Base, 4Front	67
20-24"W x 20-24"D REAC L&T Seat Base, 4Front	69

Q6 Edge 3 Stretto

20-24"W x 16-20"D REAC L&T Seat Base, Q6 Edge 3 Stretto	71
20-24"W x 20-24"D REAC L&T Seat Base, Q6 Edge 3 Stretto	73

1.5. Seat Bases, 16"-20"W for Captains Seat (REAC Lift Only)

16-20"W x 14-16"D REAC Lift Seat Base for Captain's Seating	75
-------------------------------------------------------------	----

2. REAC Lift & Tilt Frames, Actuators, & Inhibit Switches

10" REAC Lift & Tilt Frames, Actuators, & Inhibit Switches	76
12" REAC Lift & Tilt Frames, Actuators, & Inhibit Switches	79
REAC Lift Actuator Replacement Kits	81

3. I-Level Power Base Components

3.1. Q6 Edge 2.0 / Q6 Edge 3

I-Level Power Base Components, Curtis, Edge 2.0 / Edge 3	83
I-Level Power Base Components, R-Net, Edge 2.0 / Edge 3	85
I-Level Power Base Components, Edge 2.0 / Edge 3 w/Base Mounted Lights	87
I-Level Power Base Cable & Mounting Block Assy	89

3.2. Q6 Edge HD / Q6 Edge Z

I-Level Power Base Components, Curtis, Edge HD & Edge Z	91
I-Level Power Base Components, R-net, Edge HD & Z	93
I-Level Power Base Components, Edge HD & Edge Z w/Base Mounted lights	95
I-Level Power Base Cable & Mounting Block Assy	97

3.3 Q6 Edge 3 Stretto

I-Level Power Base Components, Edge 3 Stretto	99
I-Level Base Cable & Push Block Assy - Edge 3 Stretto	101

4. Power Base Interface Assy's (REAC L&T)

Angle Adjustable Seat Towers, TB3 REAC Lift	103
Angle Adjustable Seat Towers, Captain's Seating w/ Lift, TB3 REAC	105
REAC Seat Interface, Q6 Edge 3 Stretto	107

5. Seat Back Assy's (REAC L&T)

Static Back, REAC Lift	109
Static, Flip Forward Back, REAC Lift	111
Power Recline Back, REAC Lift	113
Power Recline Back, WC-19 Transit, REAC Lift	115
Stealth Simple Solutions Aftermarket Back Adapter Plate	117

6. Seat Back Assy's (REAC L&T) - TB3 Redesigned Back

Static Back Assy, REAC Lift, TB3 Redesigned Back 119
Flip Forward Back Assy, REAC Lift, TB3 Redesigned Back 121
Recline Back Assy, REAC Lift, TB3 Redesigned Back 123
Stealth Simple Solutions Aftermarket Back Adapter Plate 125

Electronics Cover Shrouds

Painted E-Box Shrouds, TB3 Redesigned Back 127
Carrier Shroud Assy, TB3 Redesigned Back 129

7. Seat Back Pans & Back Cushions (REAC L&T)

7.1. Back Pans w/ Cushions - Sport & TRU-Comfort 2

TB3 Sport Back/Sport Back 4 Complete Back Pan & Cushion Assy's, 12"-22"W 131
TB3 Sport Back/Sport Back 4 Complete Back Pan & Cushion Assy's, 24"-32"W 135
TB3 TRU-Comfort 2/4 Complete Back Pan & Cushion Assy's, 12"-22"W 137
TB3 TRU-Comfort 2/4 Complete Back Pan & Cushion Assy's, 24"-28"W 139
TRU Comfort 2 Complete Back w/Mesh Cushion, TB3 141

7.2. Back Cushion - Sport & TRU-Comfort 2

TRU Comfort 2 4 Way Stretch Cushions, 12"-19"W, TB3 142
TRU Comfort 2 4 Way Stretch Cushions, 20"-28"W, TB3 145
Sport Back Cushions - 12"-20"W, TB3 147
Sport Back Cushions - 21"-32"W, TB3 149
TRU Comfort 2 Mesh Cushions 151

7.2.1. TRU-Comfort 4 Back Cushions

TRU-Comfort 4 Back Cushions, 14"-18"W 152
TRU-Comfort 4 Back Cushions, 19"-22"W 155
TRU-Comfort 4 Back Cushions, 24"-28"W 157
TRU-Comfort 4 Back Cushion Covers, 14"-18"W 159
TRU-Comfort 4 Back Cushion Covers, 19"-22"W 161

7.2.2. Sport Back 4 Cushions

Sport Back 4 Cushions, 14"-18"W 163
Sport Back 4 Cushions, 19"-22"W 165
Sport Back 4 Cushions, 24"-28"W 167
Sport Back 4 Cushion Covers, 14"-18"W 169
Sport Back 4 Cushion Covers, 19"-22"W 171

7.3. Back Pans - Sport & TRU-Comfort 2

Back Pan, 10"-14"W, No Cushion, TB3 173
Back Pan, 16"-20"W, No Cushion, TB3 175
Back Pan, 20"-24"W, No Cushion, TB3 177

7.4. Bolsters & Supports -TRU-Comfort 2 Back

TRU-Comfort 2 Bolsters and Supports, TB3 179

7.5. Stealth Q-Backs

Stealth Contoured Q-Backs, TB3 181

7.6. Back Privacy Flaps

Privacy Flaps, TB3 183

8. Seat Back Pans & Back Cushions (REAC L&T) - TB3 Redesigned Back

8.1. Complete Sport Back 4 Assy's

14"-16"W Sport Back 4 Complete Assy's, TB3 Redesigned Back 185
16"-20"W Sport Back 4 Complete Assy's, TB3 Redesigned Back 187

18"-22"W Sport Back 4 Complete Assy's, TB3 Redesigned Back	189
TB3 Back Cushion Securement Brackets	191
8.2. Complete TRU-Comfort Back 4 Assy's	
14"-16"W TRU-Comfort Back 4 Complete Assy's, TB3 Redesigned Back	193
16"-20"W TRU-Comfort Back 4 Complete Assy's, TB3 Redesigned Back	195
18"-22"W TRU-Comfort Back 4 Complete Assy's, TB3 Redesigned Back	197
TB3 Back Cushion Securement Brackets	199
8.3. Sport Back 4 Cushions	
Sport Back 4 Cushions, 14"-18"W	201
Sport Back 4 Cushions, 19"-22"W	203
Sport Back 4 Cushion Covers, 14"-18"W	205
Sport Back 4 Cushion Covers, 19"-22"W	207
8.4. TRU-Comfort 4 Back Cushions	
TRU-Comfort 4 Back Cushions, 14"-18"W	209
TRU-Comfort 4 Back Cushions, 19"-22"W	211
TRU-Comfort 4 Back Cushion Covers, 14"-18"W	213
TRU-Comfort 4 Back Cushion Covers, 19"-22"W	215
8.5. Back Pan Assy's	
14"-16"W Back Pans, TB3 Redesigned Back	217
16"-20"W Back Pans, TB3 Redesigned Back	219
18"-22"W Back Pans, TB3 Redesigned Back	221
TB3 Back Cushion Securement Brackets	223
8.6. Back Height Extensions	
TB3 Redesigned Back, Back Height Extension, 14"-16"W	225
TB3 Redesigned Back, Back Height Extension, 16"-20"W	227
TB3 Redesigned Back, Back Height Extension, 18"-22"W	229
8.7. Seat Back Serviceable Components	
Lateral Side Cover Inserts, TB3 Redesigned Back	231
Lateral Side Covers, TB3 Redesigned Back	233
TB3 Back Cushion Securement Brackets	235
8.8. Stealth ADI Q-Back 2	
Stealth ADI Q-Back 2 Contoured Seat Backs	237
9. Back Cane & Back Cane Mounted Components	
Back Canes, TB3	239
Back Cane Rigidizing Bars, TB3	241
Angle Adjustable & Flip-forward Back Cane Brackets, TB3	243
ENDO Back Cane Brackets, TB3	245
Back/E-Box Bracket for Back Cane Units w/o a Back, TB3	247
Back Cane Accessory Bars, Synergy Style Canes	249
Back Cane Electronics Mount & Static Seat Cosmetic Cover, TB3	251
Back Plate Mounting Hardware, TC2 & Sport Backs w/ Back Canes	253
Stealth ADI Seat Backs, Back Cane Mounted	
Stealth ADI Seat Backs, Cane Mounted	255
10. Headrest Assy's, Mounts, & Pads	
STEALTH Headrest Brackets and Pads	257
STEALTH Comfort Plus Unilink Headrest Mount & Pads, TB3 Redesigned Back	259
11. Joystick Receivers & Buddy Button Mounts	
Joystick Receiver Mounts, Quantum	261
Seating Controls and Mounts, TB3 Arms	263

12. Painted Side Covers (REAC L&T)	
4Front Painted Side Covers, REAC Lift / I-Level	265
Q6 Edge Series/R44 Rival Painted Side Covers, REAC Lift/I-Level	267
Stretto Plastic Side Covers, REAC Lift / I-Level	269
13. Electronics Cover Shrouds	
Electronics Boxes - New Quantum Colors, 6/1/15, TB3	271
14. Electronics Cover Shrouds - TB3 Redesigned Back	
Painted E-Box Shrouds, TB3 Redesigned Back	273
Carrier Shroud Assy, TB3 Redesigned Back	275
15. Rear Wire Cover Shrouds (REAC L&T)	
Rear Wire Cover Shrouds, REAC Lift	277
16. Lap Belts	
Lap Belts, TB3	279
Occupied Transit Lap Belt Mount, TB3	281
17. Thoracic Lateral Mounts	
STEALTH 125° Thoracic Laterals & Lateral Mounting Tracks, TB3	283
STEALTH Unilink Thoracic Laterals, TB3 Redesigned Back	285
18. Decal Package, REAC Lift / I-Level	
Standard Decal Package, REAC Lift/I-Level	287
HD & Non I-Level Decal Package, REAC Lift/I-Level	289
19. Quantum Color Reference Chart	
Quantum Color Reference Chart	291

REAC Lift Electrical Components

1. Q-Logic 3 Electronics, REAC Lift	
Q-Logic 3 Joystick Assy's	292
Q-Logic 3 Seating Modules & Mounts	295
Q-Logic 3 Lighting Modules & Hardware	297
Q-Logic 3 Bus Cables, Multiplier Harnesses, & Mounts	299
Q-Logic 3 Enhanced Display & Gooseneck Mount	301
I-Access & 4-Function Seating Modules & Mounts	303
Q-Logic 3 Stand Alone Joystick, Attendant Control, & Mounts	305
Q-Logic 3 SCIM, Sip & Puff, & ECM Modules & Mounts	307
Q-Logic 3 USB Charger Module Assy	309
Standard Config. LED Light Assy, REAC Lift	311
Q-Logic 3 SD Cards	
Q-Logic 3 SD Cards for 4Front	313
Q-Logic 3 SD Cards for Edge 3	315
Q-Logic 3 SD Cards for Edge HD	317
Q-Logic 3 SD Cards for Edge 2.0	319
Q-Logic 3 SD Cards for Q6 Edge 3 Stretto, 6.25MPH Program	321
Q-Logic 3 SD Cards for Q1450	323
Q-Logic 2 & 3 Joystick & Enhanced Display Shrouds	
Q-Logic 2 & 3 Joystick Shrouds	325
Q-Logic 2 & 3 Enhanced Display Shrouds	327

2. Q-Logic 2 Electronics, REAC Lift

I-Level

Q-Logic 2 Lift Only, REAC Lift / I-Level

Lift Only Master Assy's, Q-Logic 2 - REAC Lift / I-Level 331
Lift Only AAM Assy's, Q-Logic 2 - REAC Lift / I-Level 333
Lift Only Harnessing, Q-Logic 2 - REAC Lift / I-Level 335
Lift Only Hardware, Q-Logic 2 - REAC Lift / I-Level 337

Q-Logic 2 Lift & Recline, REAC Lift / I-Level

Lift & Recline Master Assy's, Q-Logic 2 - REAC Lift / I-Level 339
Lift & Recline AAM Assy's, Q-Logic 2 - REAC Lift / I-Level 341
Lift & Recline Harnessing, Q-Logic 2 - REAC Lift / I-Level 343
Lift & Recline Hardware, Q-Logic 2 - REAC Lift / I-Level 345

Q-Logic 2 Lift & Tilt, REAC Lift / I-Level

Lift & Tilt Master Assy's, Q-Logic 2 - REAC Lift / I-Level 347
Lift & Tilt AAM Assy's, Q-Logic 2 - REAC Lift / I-Level 349
Lift & Tilt Harnessing, Q-Logic 2 - REAC Lift / I-Level 351
Lift & Tilt Hardware, Q-Logic 2 - REAC Lift / I-Level 354

Q-Logic 2 Lift, Tilt, & Recline, REAC Lift / I-Level

Lift, Tilt, & Recline Master Assy's, Q-Logic 2 - REAC Lift / I-Level 357
Lift, Tilt, & Recline AAM Assy's, Q-Logic 2 - REAC Lift / I-Level 359
Lift, Tilt, & Recline Harnessing, Q-Logic 2 - REAC Lift / I-Level 361
Lift, Tilt, & Recline Hardware, Q-Logic 2 - REAC Lift / I-Level 363

NON I-Level

Q-Logic 2 Lift Only, REAC Lift / NON I-Level

Lift Only Master Assy's, Q-Logic 2 - REAC Lift / NON I-Level 365
Lift Only AAM Assy's, Q-Logic 2 - REAC Lift / NON I-Level 367
Lift Only Harnessing, Q-Logic 2 - REAC Lift / NON I-Level 369
Lift Only Hardware, Q-Logic 2 - REAC Lift / NON I-Level 371

Q-Logic 2 Lift & Recline, REAC Lift / NON I-Level

Lift & Recline Master Assy's, Q-Logic 2 - REAC Lift / NON I-Level 373
Lift & Recline AAM Assy's, Q-Logic 2 - REAC Lift / NON I-Level 375
Lift & Recline Harnessing, Q-Logic 2 - REAC Lift / NON I-Level 377
Lift & Recline Hardware, Q-Logic 2 - REAC Lift / NON I-Level 379

Q-Logic 2 Lift & Tilt, REAC Lift / NON I-Level

Lift & Tilt Master Assy's, Q-Logic 2 - REAC Lift / NON I-Level 381
Lift & Tilt AAM Assy's, Q-Logic 2 - REAC Lift / NON I-Level 383
Lift & Tilt Harnessing, Q-Logic 2 - REAC Lift / NON I-Level 385
Lift & Tilt Hardware, Q-Logic 2 - REAC Lift / NON I-Level 387

Q-Logic 2 Lift, Tilt, & Recline, REAC Lift / NON I-Level

Lift, Tilt, & Recline Master Assy's, Q-Logic 2 - REAC Lift / NON I-Level 389
Lift, Tilt, & Recline AAM Assy's, Q-Logic 2 - REAC Lift / NON I-Level 391
Lift, Tilt, & Recline Harnessing, Q-Logic 2 - REAC Lift / NON I-Level 393
Lift, Tilt, & Recline Hardware, Q-Logic 2 - REAC Lift / NON I-Level 395

3. NE+ Electronics, REAC Lift

I-Level

NE+ Lift, REAC Lift / I-Level 397
NE+ Lift w/AFP, REAC Lift / I-Level 399
NE+ Lift & Tilt, REAC Lift / I-Level 401
NE+ Lift & Recline, REAC Lift / I-Level 403
Standard Config. LED Light Assy, REAC Lift 405

NON I-Level

NE+ Lift, REAC Lift / NON I-Level 407
NE+ Lift w/AFP, REAC Lift / NON I-Level 409
NE+ Lift & Tilt, REAC Lift / NON I-Level 411
NE+ Lift & Recline, REAC Lift / NON I-Level 413
Standard Config. LED Light Assy, REAC Lift 415

4. Lighting, Curtis Electronics, REAC Lift Seating

Lighting thru LM, Q-Logic 2

Lighting Module w/ Harnesses & Hardware, REAC / Q-Logic 2 417

Lighting thru LAM2, Q-Logic 2 / NE+

Standard Config. Seat Mounted Lights

I-Level

Lights thru LAM2, Lift Only, Q-Logic 2 / NE+ - REAC Lift/I-Level 419
Lights thru LAM2, Lift w/AFP, Q-Logic 2 / NE+ - REAC Lift/I-Level 421
Lights thru LAM2, Lift & Tilt, Q-Logic 2 / NE+ - REAC Lift/I-Level 423
Lights thru LAM2, Lift & Recline, Q-Logic 2 / NE+ - REAC Lift/I-Level 425

NON I-Level

Lights thru LAM2, Lift Only, Q-Logic 2 / NE+ - REAC Lift / NON I-Level 427
Lights thru LAM2, Lift w/AFP, Q-Logic 2 / NE+ - REAC Lift / NON I-Level 429
Lights thru LAM2, Lift & Tilt, Q-Logic 2 / NE+ - REAC Lift / NON I-Level 431
Lights thru LAM2, Lift & Recline, Q-Logic 2 / NE+ - REAC Lift / NON I-Level 433

Q6 Edge 3 Stretto Seat Mounted Lights

Lights thru LAM2, Lift Only, NE+ - REAC Lift/I-Level, Q6 Edge 3 Stretto 435
Lights thru LAM2, Lift w/ AFP, NE+ - REAC Lift/I-Level, Q6 Edge 3 Stretto 437
Lights thru LAM2, Lift & Tilt, NE+ - REAC Lift/I-Level, Q6 Edge 3 Stretto 439
Lights thru LAM2, Lift & Recline, NE+, REAC Lift/I-Level, Q6 Edge 3 Stretto 441

Lighting thru LM / LAM2, Q-Logic 3

Q-Logic 3 Lighting Modules & Hardware 443

Seat Mounted Lights

Standard Config. LED Light Assy, REAC Lift 445
Q6 Edge 3 Stretto Config. Light Assy, TB3 / Flex Seating 447

5. R-Net Electronics, REAC Lift / I-Level

Standard Config. Seat Mounted Lights

Lift Only, REAC Lift / I-Level

R-Net Lift Only, REAC Lift / I-Level 449
R-Net Lift Only w/Power Legs, REAC Lift / I-Level 451
R-Net Lift Only w/AFP, REAC Lift / I-Level 453

Lift & Recline, REAC Lift / I-Level

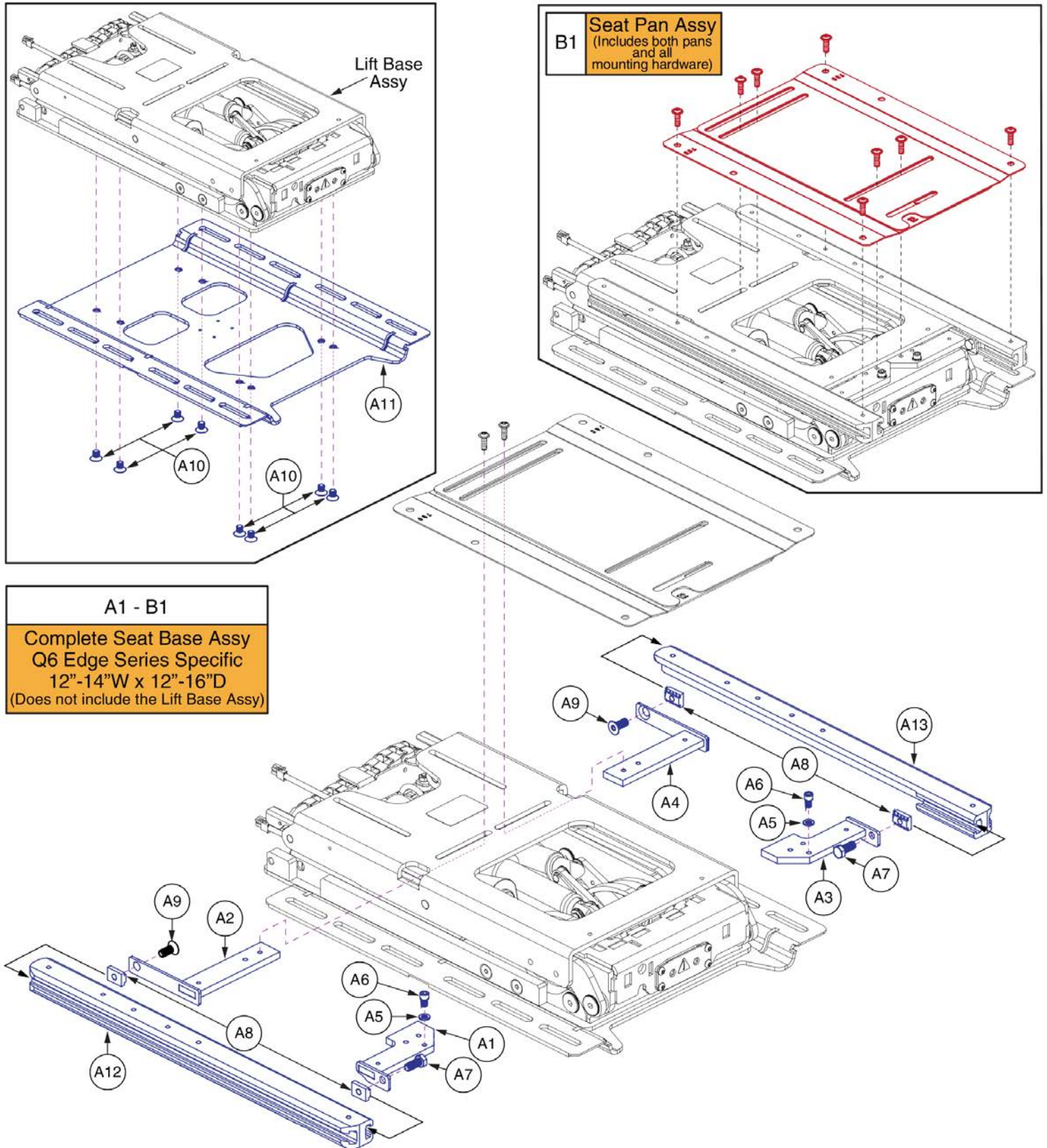
R-Net Lift & Recline w/Power Legs, REAC Lift / I-Level 455
R-Net Lift & Recline, REAC Lift / I-Level 457
R-Net Lift & Recline w/AFP, REAC Lift / I-Level 459

Lift & Tilt, REAC Lift / I-Level

R-Net Lift & Tilt, REAC Lift / I-Level 461
R-Net Lift & Tilt w/Power Legs, REAC Lift / I-Level 463
R-Net Lift & Tilt w/AFP, REAC Lift / I-Level 465

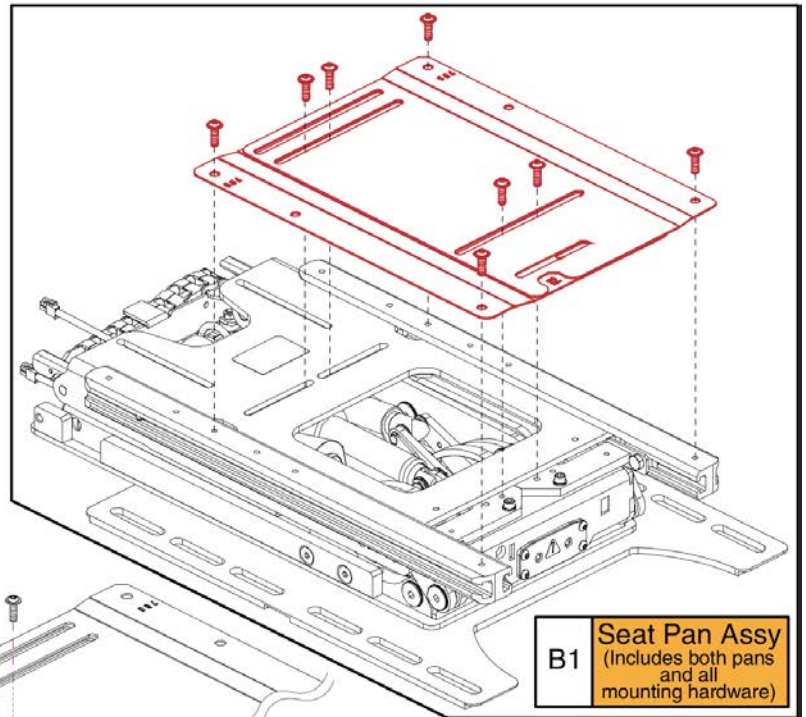
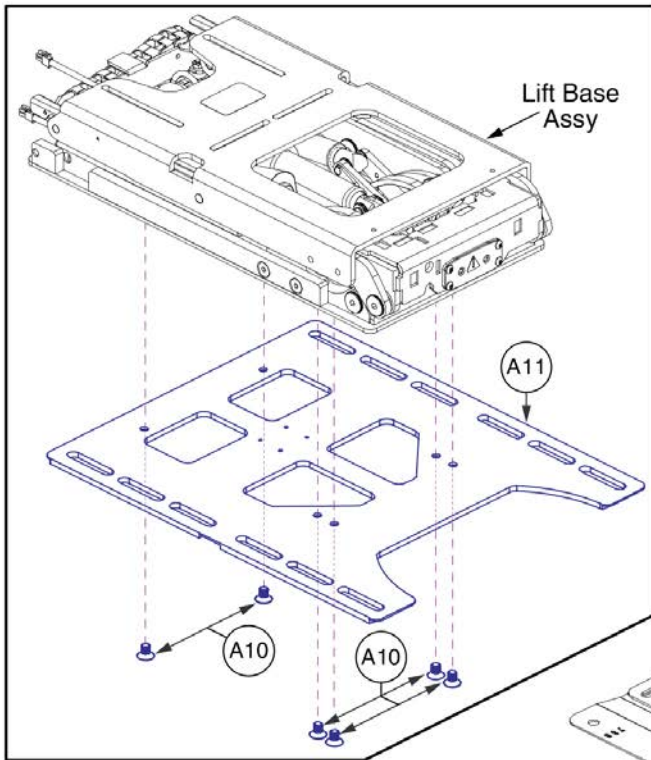
Lift, Tilt, & Recline, REAC Lift / I-Level	
R-Net Lift, Tilt, & Recline, REAC Lift / I-Level	467
R-Net Lift, Tilt, & Recline w/Power Legs, REAC Lift / I-Level	469
R-Net Lift, Tilt, & Recline w/AFP, REAC Lift / I-Level	471
Standard Config. LED Light Assy, REAC Lift	473
Q6 Edge 3 Stretto Seat Mounted Lights	
Lift Only, REAC Lift / I-Level	
R-Net Lift Only, REAC Lift / I-Level, Q6 Edge 3 Stretto	475
R-Net Lift Only w/Power Legs, REAC Lift / I-Level, Q6 Edge 3 Stretto	477
R-Net Lift Only w/ AFP, REAC Lift / I-Level, Q6 Edge 3 Stretto	479
Lift & Recline, REAC Lift / I-Level	
R-Net Lift & Recline, REAC Lift / I-Level, Q6 Edge 3 Stretto	481
R-Net Lift & Recline w/ Power Legs, REAC Lift / I-Level, Q6 Edge 3 Stretto	483
R-Net Lift & Recline w/AFP, REAC Lift / I-Level, Q6 Edge 3 Stretto	485
Lift & Tilt, REAC Lift / I-Level	
R-Net Lift & Tilt, REAC Lift / I-Level, Q6 Edge 3 Stretto	487
R-Net Lift & Tilt w/Power Legs, REAC Lift / I-Level, Q6 Edge 3 Stretto	489
R-Net Lift & Tilt w/AFP, REAC Lift / I-Level, Q6 Edge 3 Stretto	491
Lift, Tilt, & Recline, REAC Lift / I-Level	
R-Net Lift, Tilt, & Recline, REAC Lift / I-Level, Q6 Edge 3 Stretto	493
R-Net Lift, Tilt, & Recline w/Power Legs, REAC Lift / I-Level, Q6 Edge 3 Stretto	495
R-Net Lift, Tilt, & Recline w/AFP, REAC Lift / I-Level, Q6 Edge 3 Stretto	497
Q6 Edge 3 Stretto Config. Light Assy, TB3 / Flex Seating	499
6. Rear Wire Cover Shrouds (REAC L&T)	
Rear Wire Cover Shrouds, REAC Lift	501
7. Wire Conduit Chain (REAC L&T)	
Wire Conduit, REAC Lift	503
8. Electronics Cover Shrouds	
Electronics Boxes - New Quantum Colors, 6/1/15, TB3	505
9. Electronics Cover Shrouds - TB3 Redesigned Back	
Painted E-Box Shrouds, TB3 Redesigned Back	507
Carrier Shroud Assy, TB3 Redesigned Back	509
10. Joystick Receivers & Buddy Button Mounts	
Joystick Receiver Mounts, Quantum	511
Seating Controls and Mounts, TB3 Arms	513
11. Seating Controls - Toggles, Buttons, and Mounts	
4-Button Actuator Control Module, TB3	515
Seating Controls and Mounts, TB3 Arms	517
Seating Controls and Mounts, Tubular Arms	519
High Power Toggle and Mount, TB3 Arms	521
High Power Toggle and Mount, Tubular Arms	523
12. Quantum Color Reference Chart	
Quantum Color Reference Chart	525
Appendix A:Pages Index	526
Appendix B:Parts Index	529

Q6 Edge Series

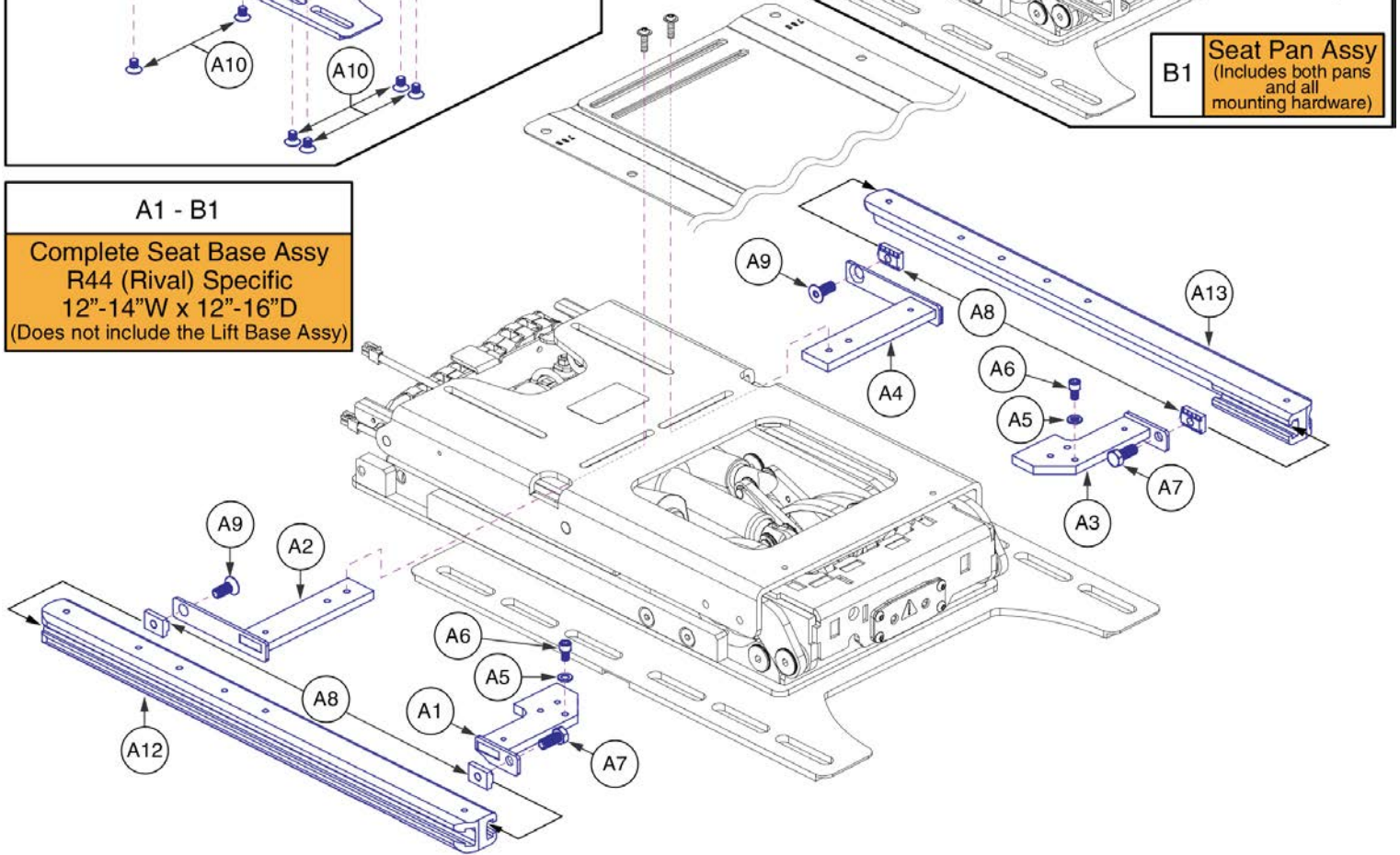


Item	Part No.	Name	Qty
A1 - B1	SET167920	SEAT BASE,ASSY,12"W-14"W,12"D-16"D,TILT READY,REAC LIFT READY,TRU-BALANCE 3	1
A1	MEC150680	FRAME,WIDTH ADJUSTMENT,ASSY D,12"W- 16"W,REAC LIFT&TILT TRU-BALANCE 3	1
A2	MEC150685	FRAME,WIDTH ADJUSTMENT,ASSY B,12"W-16"W,REAC LIFT&TILT TRU-BALANCE 3	1
A3	MEC150682	FRAME,WIDTH ADJUSTMENT,ASSY C,12"W-16"W,REAC LIFT&TILT TRU-BALANCE 3	1
A4	MEC150687	FRAME,WIDTH ADJUSTMENT,ASSY A,12"W-16"W,REAC LIFT&TILT TRU-BALANCE 3	1
A5	WASSTND1097	WASHER, FLAT, 6.4 ID X 12 OD X 1.6 THK, ISO 7089-6-200 HV, BZ	2
A6	SCRSHCS1158	SCREW,SHCS,BLACK ZINC,M6-1.0 X 10MM	2
A7	SCRHHCS1727	SCREW,HHCS,BLACK ZINC,M8-1.25 X 20MM,GRADE 10.9,W/NYLON PATCH,C-1005-098	2
A8	NUT8120005	NUT,T-SLOT,BLACK,M8-1.25	4
A9	HDW131891	SCREW,FSHCS,BLACK ZINC,M8-1.25 X 18MM,ISO 10642 CLASS 10.9,ASTM F1941M 8E,PATCH IFI-524	2
A10	HDW145729	SCREW,SHFH,M8-1.25 X 12MM,ISO 10642,CLASS 10.9,ASTM F1941M 8E BLACK,PATCH IFI-524	8
A11	MEC148448	INTERFACE PLATE TO BASE,VERSION 2,TRU-BALANCE 3 REAC LIFT & TILT	1
A12	MEC150689	SEAT RAIL,12"D-16"D,RIGHT,MODIFIED FOR REAC,TRU-BLANCE 3	1
A13	MEC150688	SEAT RAIL,12"D-16"D,LEFT,MODIFIED FOR REAC,TRU-BLANCE 3	1
B1	SET168414	SEAT PAN,12"W-14"W,12"D-14"D,TRU-BALANCE 3,PAIR	1

R44 (Rival)

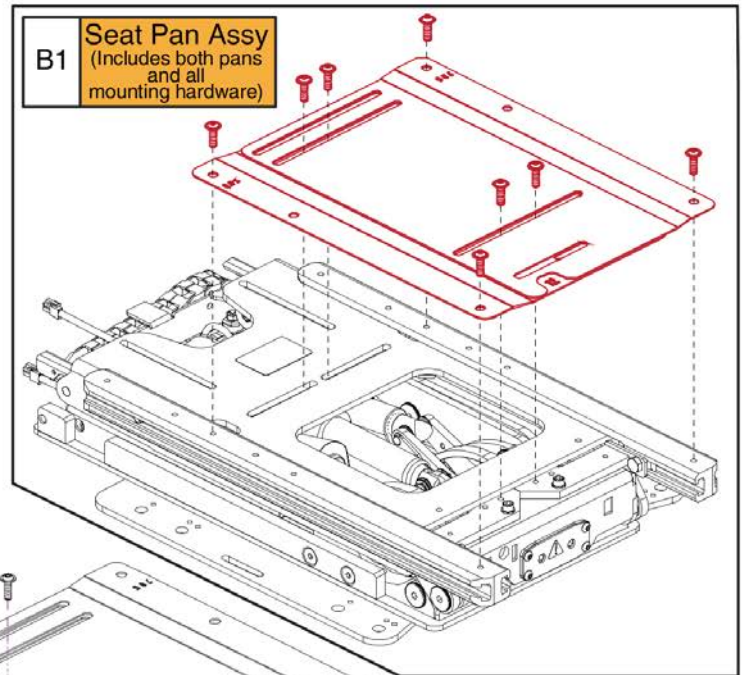
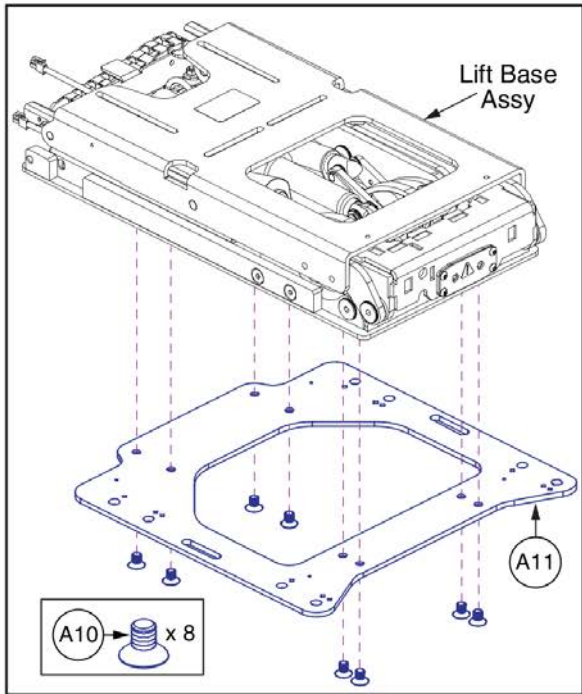


A1 - B1
 Complete Seat Base Assy
 R44 (Rival) Specific
 12"-14"W x 12"-16"D
 (Does not include the Lift Base Assy)

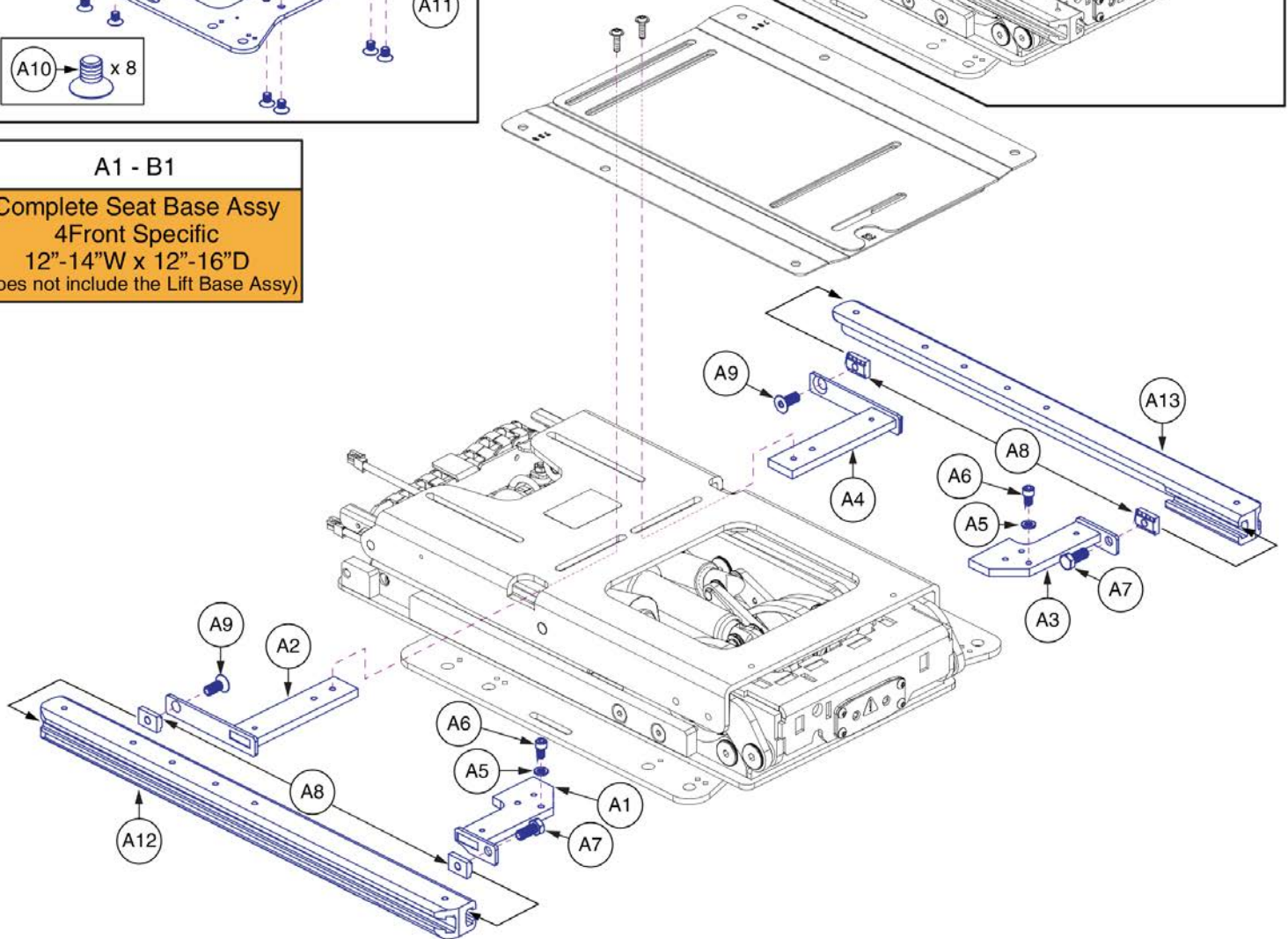


Item	Part No.	Name	Qty
A1 - B1	SET1806341	SEAT BASE,ASSY,12"W-14"W,12"D-16"D,TILT READY,REAC LIFT READY,TRU-BALANCE 3,R44	1
A1	MEC150680	FRAME,WIDTH ADJUSTMENT,ASSY D,12"W- 16"W,REAC LIFT&TILT TRU-BALANCE 3	1
A2	MEC150685	FRAME,WIDTH ADJUSTMENT,ASSY B,12"W-16"W,REAC LIFT&TILT TRU-BALANCE 3	1
A3	MEC150682	FRAME,WIDTH ADJUSTMENT,ASSY C,12"W-16"W,REAC LIFT&TILT TRU-BALANCE 3	1
A4	MEC150687	FRAME,WIDTH ADJUSTMENT,ASSY A,12"W-16"W,REAC LIFT&TILT TRU-BALANCE 3	1
A5	WASSTND1097	WASHER, FLAT, 6.4 ID X 12 OD X 1.6 THK, ISO 7089-6-200 HV, BZ	2
A6	SCRSHCS1158	SCREW,SHCS,BLACK ZINC,M6-1.0 X 10MM	2
A7	SCRHHCS1727	SCREW,HHCS,BLACK ZINC,M8-1.25 X 20MM,GRADE 10.9,W/NYLON PATCH,C-1005-098	2
A8	NUT8120005	NUT,T-SLOT,BLACK,M8-1.25	4
A9	HDW131891	SCREW,FSHCS,BLACK ZINC,M8-1.25 X 18MM,ISO 10642 CLASS 10.9,ASTM F1941M 8E,PATCH IFI-524	2
A10	HDW145729	SCREW,SHFH,M8-1.25 X 12MM,ISO 10642,CLASS 10.9,ASTM F1941M 8E BLACK,PATCH IFI-524	6
A11	MEC150401	INTERFACE PLATE II TO BASE, LIFT & TILT,TRU-BALANCE 3,(REAC)	1
A12	MEC150689	SEAT RAIL,12"D-16"D,RIGHT,MODIFIED FOR REAC,TRU-BLANCE 3	1
A13	MEC150688	SEAT RAIL,12"D-16"D,LEFT,MODIFIED FOR REAC,TRU-BLANCE 3	1
B1	SET168414	SEAT PAN,12"W-14"W,12"D-14"D,TRU-BALANCE 3,PAIR	1

4Front



A1 - B1
Complete Seat Base Assy
4Front Specific
12"-14"W x 12"-16"D
(Does not include the Lift Base Assy)

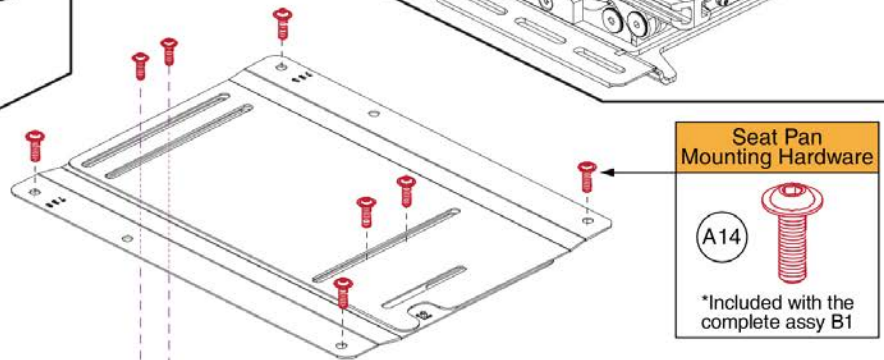
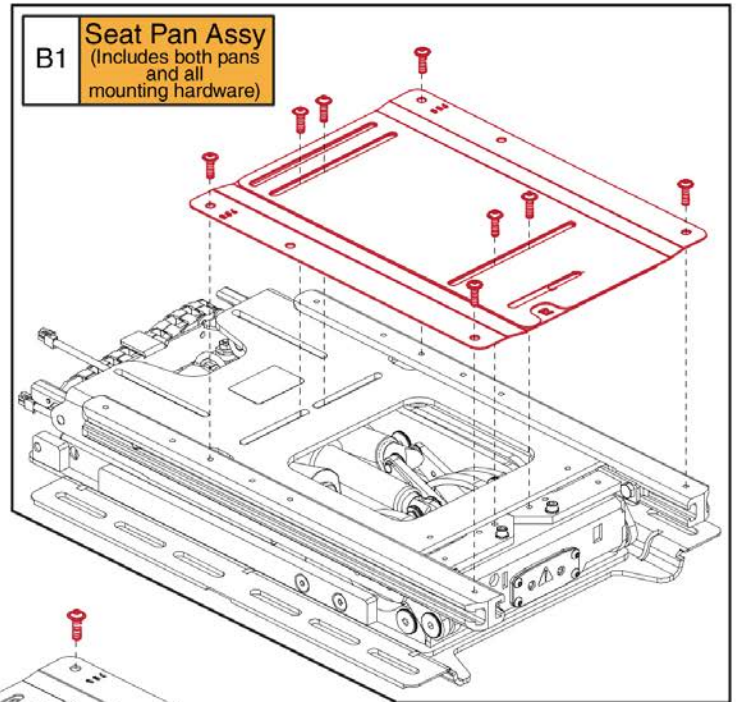
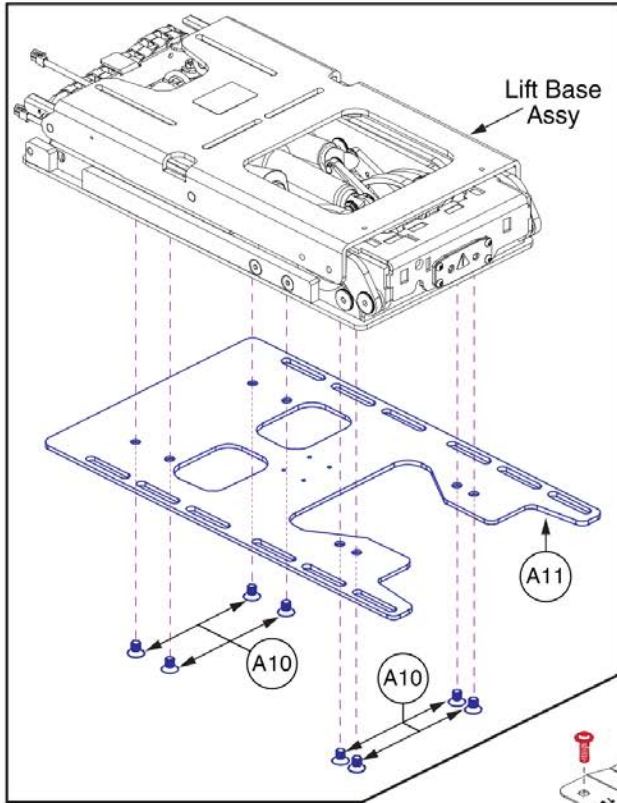


12-14"W x 12-16"D REAC L&T Seat Base, 4Front

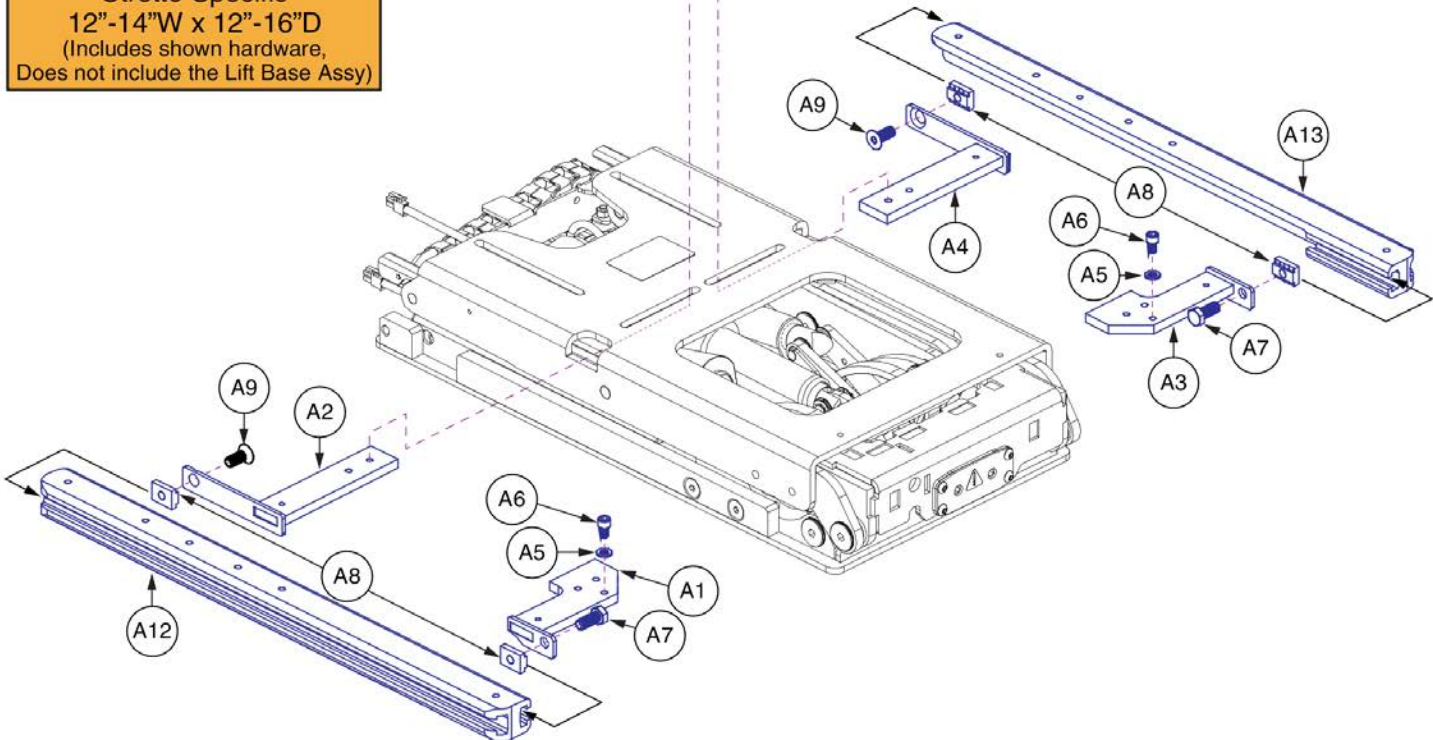


Item	Part No.	Name	Qty
A1 - B1	SET1703492	SEAT BASE,ASSY,12"W-14"W,12"D-16"D,TILT READY,REAC LIFT READY,TRU-BALANCE 3,Q4FRONT	1
A1	MEC150680	FRAME,WIDTH ADJUSTMENT,ASSY D,12"W- 16"W,REAC LIFT&TILT TRU-BALANCE 3	1
A2	MEC150685	FRAME,WIDTH ADJUSTMENT,ASSY B,12"W-16"W,REAC LIFT&TILT TRU-BALANCE 3	1
A3	MEC150682	FRAME,WIDTH ADJUSTMENT,ASSY C,12"W-16"W,REAC LIFT&TILT TRU-BALANCE 3	1
A4	MEC150687	FRAME,WIDTH ADJUSTMENT,ASSY A,12"W-16"W,REAC LIFT&TILT TRU-BALANCE 3	1
A5	WASSTND1097	WASHER, FLAT, 6.4 ID X 12 OD X 1.6 THK, ISO 7089-6-200 HV, BZ	2
A6	SCRSHCS1158	SCREW,SHCS,BLACK ZINC,M6-1.0 X 10MM	2
A7	SCRHHCS1727	SCREW,HHCS,BLACK ZINC,M8-1.25 X 20MM,GRADE 10.9,W/NYLON PATCH,C-1005-098	2
A8	NUT8120005	NUT,T-SLOT,BLACK,M8-1.25	4
A9	HDW131891	SCREW,FSHCS,BLACK ZINC,M8-1.25 X 18MM,ISO 10642 CLASS 10.9,ASTM F1941M 8E,PATCH IFI-524	2
A10	HDW145729	SCREW,SHFH,M8-1.25 X 12MM,ISO 10642,CLASS 10.9,ASTM F1941M 8E BLACK,PATCH IFI-524	8
A11	MEC1612385	SEAT INTERFACE PLATE: 14, 16, 18	1
A12	MEC150689	SEAT RAIL,12"D-16"D,RIGHT,MODIFIED FOR REAC,TRU-BLANCE 3	1
A13	MEC150688	SEAT RAIL,12"D-16"D,LEFT,MODIFIED FOR REAC,TRU-BLANCE 3	1
B1	SET168414	SEAT PAN,12"W-14"W,12"D-14"D,TRU-BALANCE 3,PAIR	1

Q6 Edge 3 Stretto

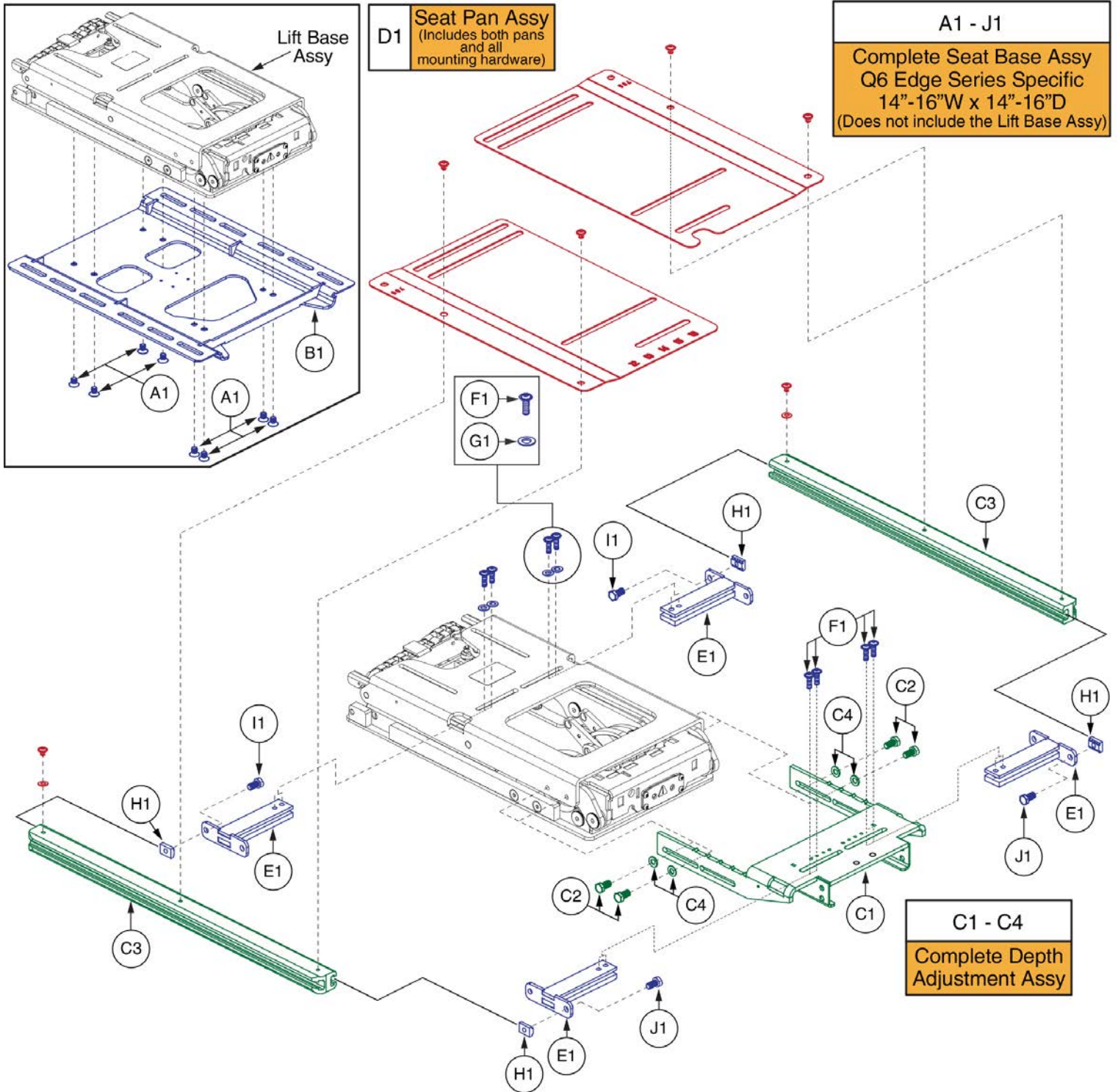


A1 - B1
Complete Seat Base Assy
 Stretto Specific
 12"-14"W x 12"-16"D
 (Includes shown hardware,
 Does not include the Lift Base Assy)



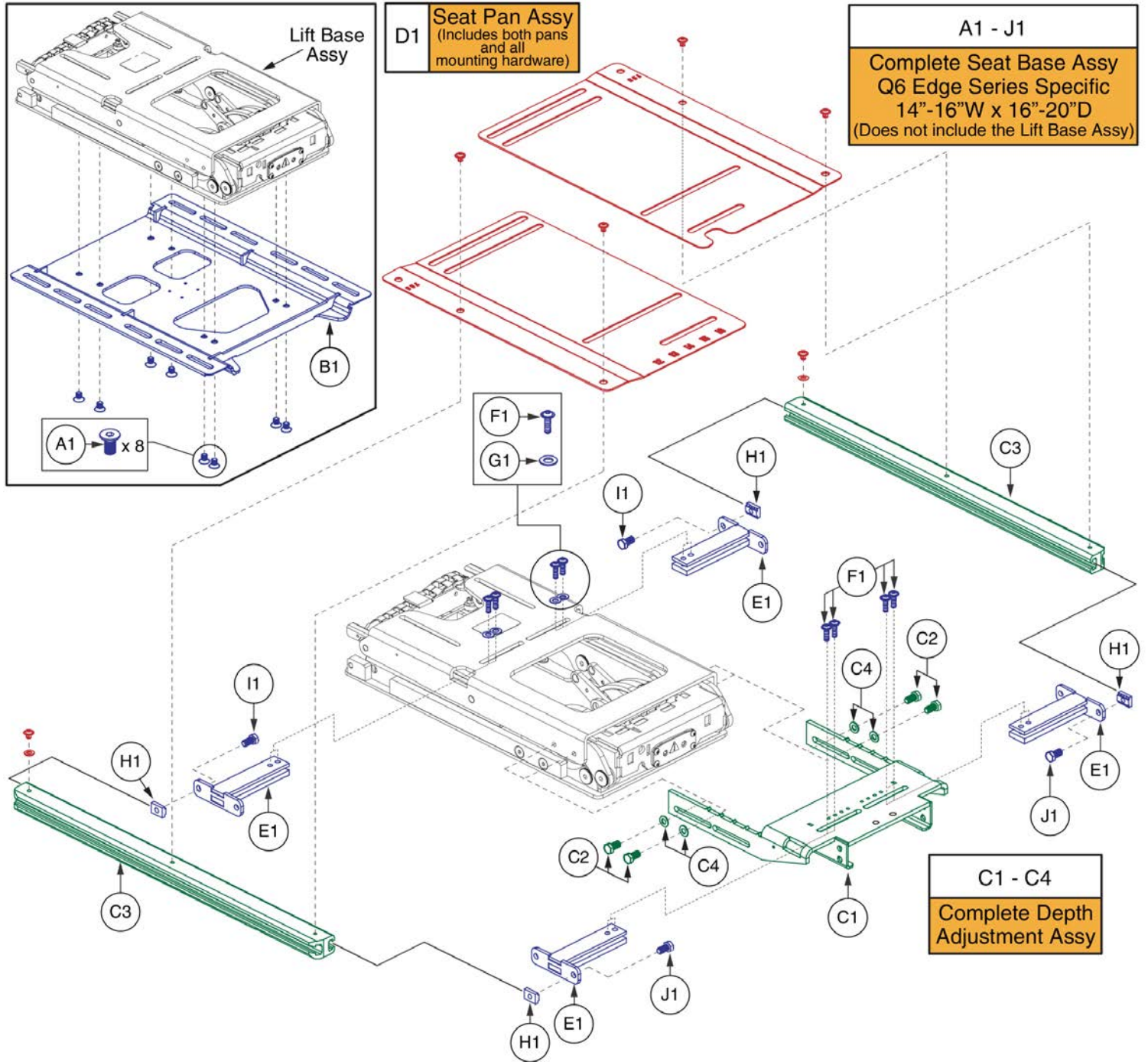
Item	Part No.	Name	Qty
A1 - B1	SET1906749	SEAT BASE,ASSY,12"W-14"W,12"D-16"D,TILT READY,REAC LIFT READY,TRU-BALANCE 3,STRETTO	1
A1	MEC150680	FRAME,WIDTH ADJUSTMENT,ASSY D,12"W- 16"W,REAC LIFT&TILT TRU-BALANCE 3	1
A2	MEC150685	FRAME,WIDTH ADJUSTMENT,ASSY B,12"W-16"W,REAC LIFT&TILT TRU-BALANCE 3	1
A3	MEC150682	FRAME,WIDTH ADJUSTMENT,ASSY C,12"W-16"W,REAC LIFT&TILT TRU-BALANCE 3	1
A4	MEC150687	FRAME,WIDTH ADJUSTMENT,ASSY A,12"W-16"W,REAC LIFT&TILT TRU-BALANCE 3	1
A5	WASSTND1097	WASHER, FLAT, 6.4 ID X 12 OD X 1.6 THK, ISO 7089-6-200 HV, BZ	2
A6	SCRSHCS1158	SCREW,SHCS,BLACK ZINC,M6-1.0 X 10MM	2
A7	SCRHHCS1727	SCREW,HHCS,BLACK ZINC,M8-1.25 X 20MM,GRADE 10.9,W/NYLON PATCH,C-1005-098	2
A8	NUT8120005	NUT,T-SLOT,BLACK,M8-1.25	4
A9	HDW131891	SCREW,FSHCS,BLACK ZINC,M8-1.25 X 18MM,ISO 10642 CLASS 10.9,ASTM F1941M 8E,PATCH IFI-524	2
A10	HDW145729	SCREW,SHFH,M8-1.25 X 12MM,ISO 10642,CLASS 10.9,ASTM F1941M 8E BLACK,PATCH IFI-524	8
A11	MEC1711061	EDGE MINI INTERFACE PLATE	1
A12	MEC150689	SEAT RAIL,12"D-16"D,RIGHT,MODIFIED FOR REAC,TRU-BLANCE 3	1
A13	MEC150688	SEAT RAIL,12"D-16"D,LEFT,MODIFIED FOR REAC,TRU-BLANCE 3	1
A14	HDW147703	SCREW, FLANGED BUTTON HEAD, M6X1.0 X 20, ISO 7380-2, CL 10.9, BZ, PVTP	8
B1	SET168414	SEAT PAN,12"W-14"W,12"D-14"D,TRU-BALANCE 3,PAIR	1

Q6 Edge Series



Item	Part No.	Name	Qty
A1 - J1	SET155888	SEAT BASE,ASSY,14"W-16"W,14"D-16"D,TILT READY,REAC LIFT READY,TRU-BALANCE 3	1
A1	HDW145729	SCREW,SHFH,M8-1.25 X 12MM,ISO 10642,CLASS 10.9,ASTM F1941M 8E BLACK,PATCH IFI-524	8
B1	MEC148448	INTERFACE PLATE TO BASE,VERSION 2,TRU-BALANCE 3 REAC LIFT & TILT	1
C1 - C4	SET155898	FRAME,ASSY,14"D-16"D,DEPTH ADJUSTMENT,TRU-BALANCE 3 REAC LIFT FRAME	1
C1	MEC144774	FRAME,DEPTH ADJUSTMENT WELDMENT,16"D-20"D,VERSION 2,TRU-BALANCE 3	1
C2	SCRHHCS1412	SCREW, HEX HEAD, M8X1.25 X 16, ISO 4014, CL 10.9, BZ, PVTP	4
C3	SET123690	SEAT FRAME,SIDE RAIL,12"D-16"D,TRU-BALANCE 3 TILT,TRU-BALANCE 3	2
C4	WASMETR1010	WASHER,FLAT,BLACK ZINC,8.4MM ID X 16MM OD X 1.6MM THK,ISO 7089	4
D1	SET123998	SEAT PAN,12"W-16"W,12"D-16"D,TRU-BALANCE 3,PAIR	1
E1	MEC151007	FRAME,WIDTH ADJUSTMENT,ASSY,12"W-16"W,REAC TRU-BALANCE 3	4
F1	HDW147703	SCREW, FLANGED BUTTON HEAD, M6X1.0 X 20, ISO 7380-2, CL 10.9, BZ, PVTP	8
G1	WASSTND1097	WASHER, FLAT, 6.4 ID X 12 OD X 1.6 THK, ISO 7089-6-200 HV, BZ	4
H1	NUT8120005	NUT,T-SLOT,BLACK,M8-1.25	4
I1	SCRHHCS1412	SCREW, HEX HEAD, M8X1.25 X 16, ISO 4014, CL 10.9, BZ, PVTP	2
J1	SCRHHCS1727	SCREW,HHCS,BLACK ZINC,M8-1.25 X 20MM,GRADE 10.9,W/NYLON PATCH,C-1005-098	2

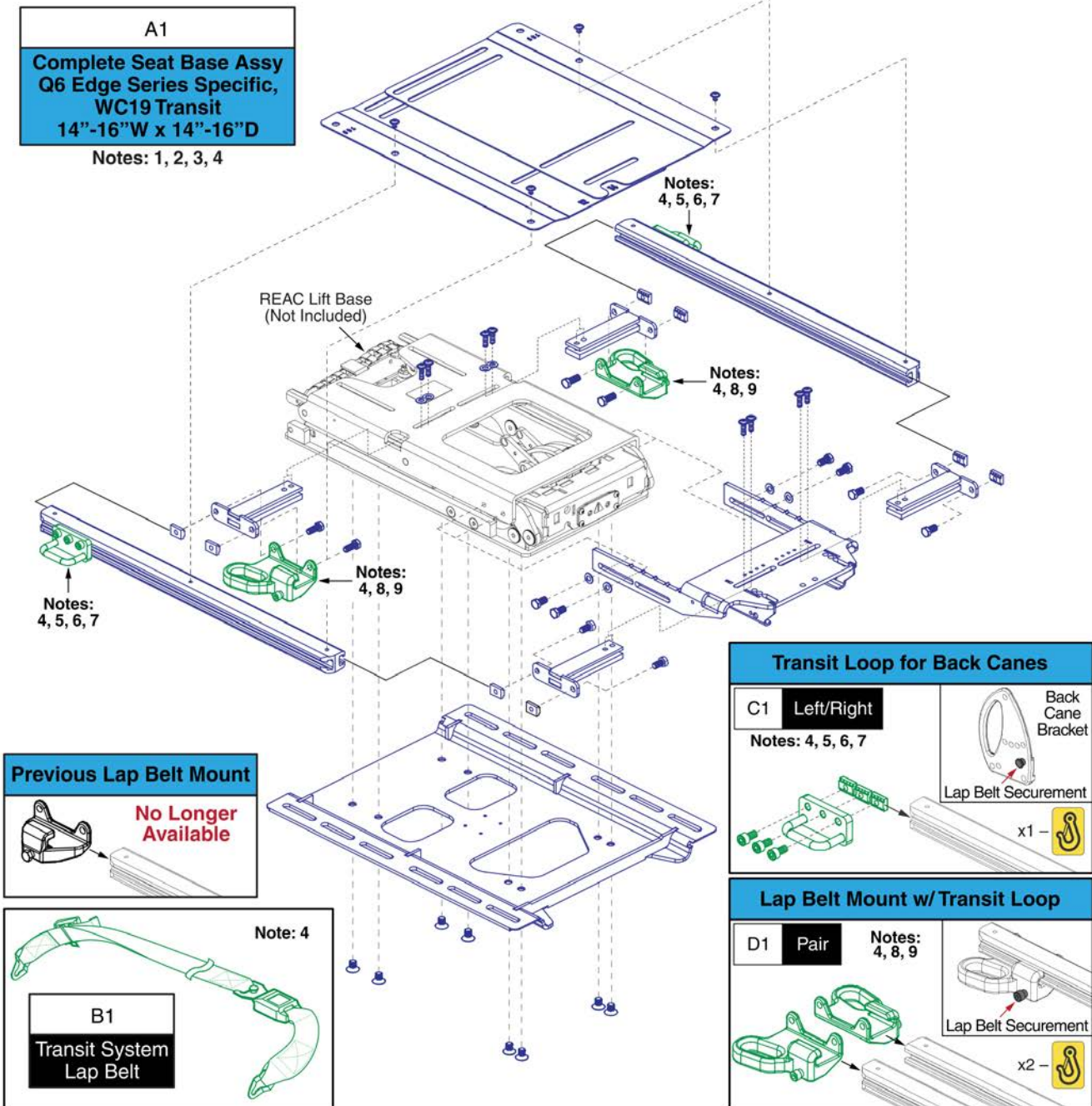
Q6 Edge Series



Item	Part No.	Name	Qty
A1 - J1	SET155443	SEAT BASE,ASSY,14"W-16"W,16"D-20"D,TILT READY,REAC LIFT READY,TRU-BALANCE 3	1
A1	HDW145729	SCREW,SHFH,M8-1.25 X 12MM,ISO 10642,CLASS 10.9,ASTM F1941M 8E BLACK,PATCH IFI-524	8
B1	MEC148448	INTERFACE PLATE TO BASE,VERSION 2,TRU-BALANCE 3 REAC LIFT & TILT	1
C1 - C4	SET148102	FRAME,ASSY,16"D-20"D,DEPTH ADJUSTMENT,TRU-BALANCE 3 REAC LIFT FRAME	1
C1	MEC144774	FRAME,DEPTH ADJUSTMENT WELDMENT,16"D-20"D,VERSION 2,TRU-BALANCE 3	1
C2	SCRHHCS1412	SCREW, HEX HEAD, M8X1.25 X 16, ISO 4014, CL 10.9, BZ, PVTP	4
C3	SET123691	SEAT FRAME,SIDE RAIL,16"D-20"D,TRU-BALANCE 3	2
C4	WASMETR1010	WASHER,FLAT,BLACK ZINC,8.4MM ID X 16MM OD X 1.6MM THK,ISO 7089	4
D1	SET123999	SEAT PAN,12"W-16"W,16"D-20"D,TRU-BALANCE 3,PAIR	1
E1	MEC151007	FRAME,WIDTH ADJUSTMENT,ASSY,12"W-16"W,REAC TRU-BALANCE 3	4
F1	HDW147703	SCREW, FLANGED BUTTON HEAD, M6X1.0 X 20, ISO 7380-2, CL 10.9, BZ, PVTP	8
G1	WASSTND1097	WASHER, FLAT, 6.4 ID X 12 OD X 1.6 THK, ISO 7089-6-200 HV, BZ	4
H1	NUT8120005	NUT,T-SLOT,BLACK,M8-1.25	4
I1	SCRHHCS1412	SCREW, HEX HEAD, M8X1.25 X 16, ISO 4014, CL 10.9, BZ, PVTP	2
J1	SCRHHCS1727	SCREW,HHCS,BLACK ZINC,M8-1.25 X 20MM,GRADE 10.9,W/NYLON PATCH,C-1005-098	2

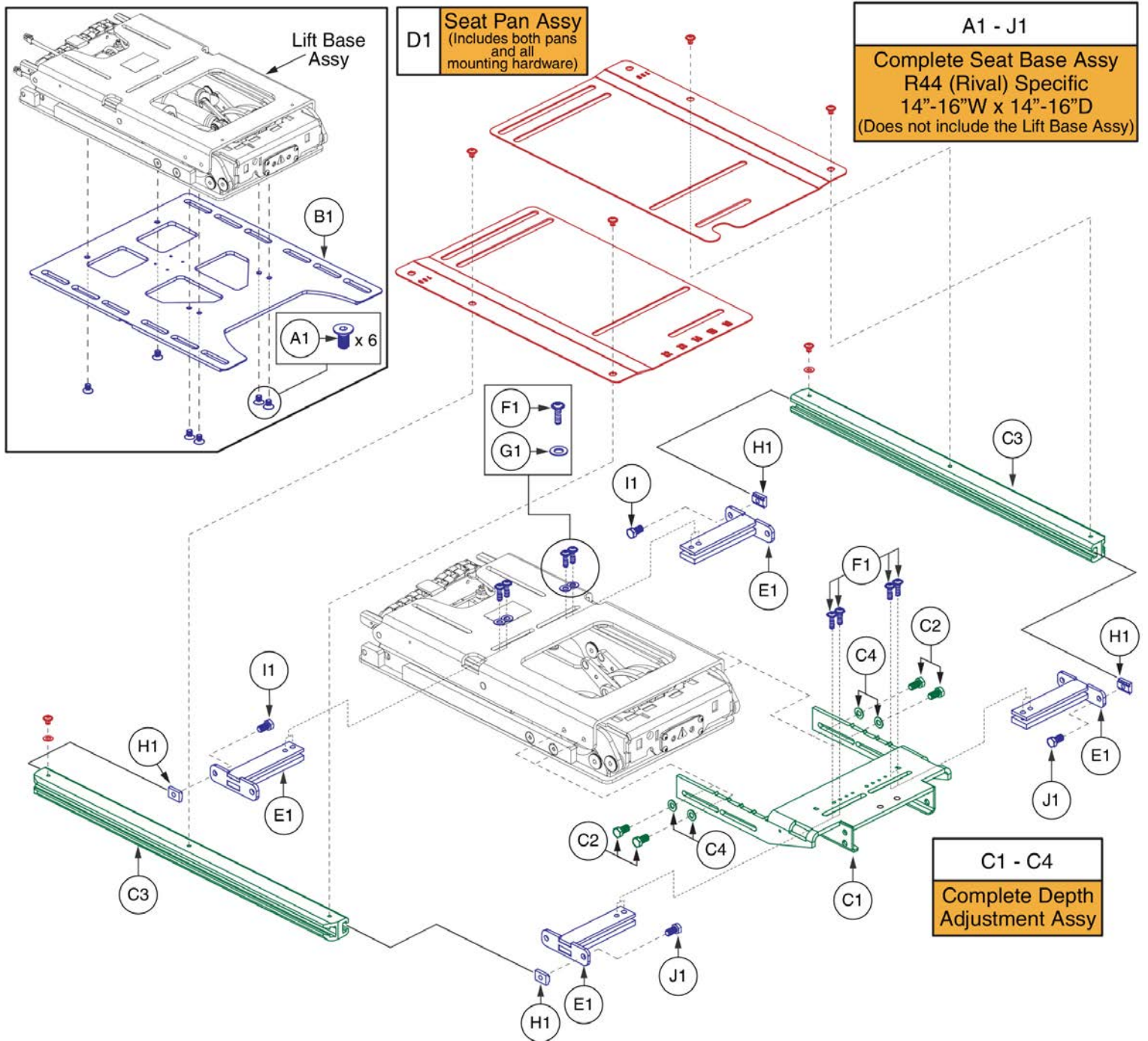
Q6 Edge Series

- Notes:**
- Complete Seat Assembly**
1. The Complete Occupied Transit Seat Base (A1) should only be ordered through Technical Service.
 2. Individual components are not serviceable. The complete assembly must be selected.
 3. The REAC Lift Base is **NOT** included. See Lift Base page for selection.
 4. The Lap Belt (B1) and Transit Loops (C1 / D1) are **NOT** included and **MUST** be selected separately. See notes 5 through 9 for proper transit loop selection.
-
- Transit Loops / Lap Belt Mount**
5. The Transit Loop (C1) is only for use on units equipped with Back Canes.
 6. The Lap Belt will attach directly to the Back Cane Bracket. See the Back Cane Bracket page for selection.
 7. The left side mounting mirrors the right side. A quantity of 2 must be selected for the pair.
 8. The Lap Belt Mount with Transit Loop (D1) is only for use on units equipped with Static or Power Recline backs.
 9. Does not include the screws or t-nuts that mount the bracket to the side rail. The Complete Seat Assembly must be selected.



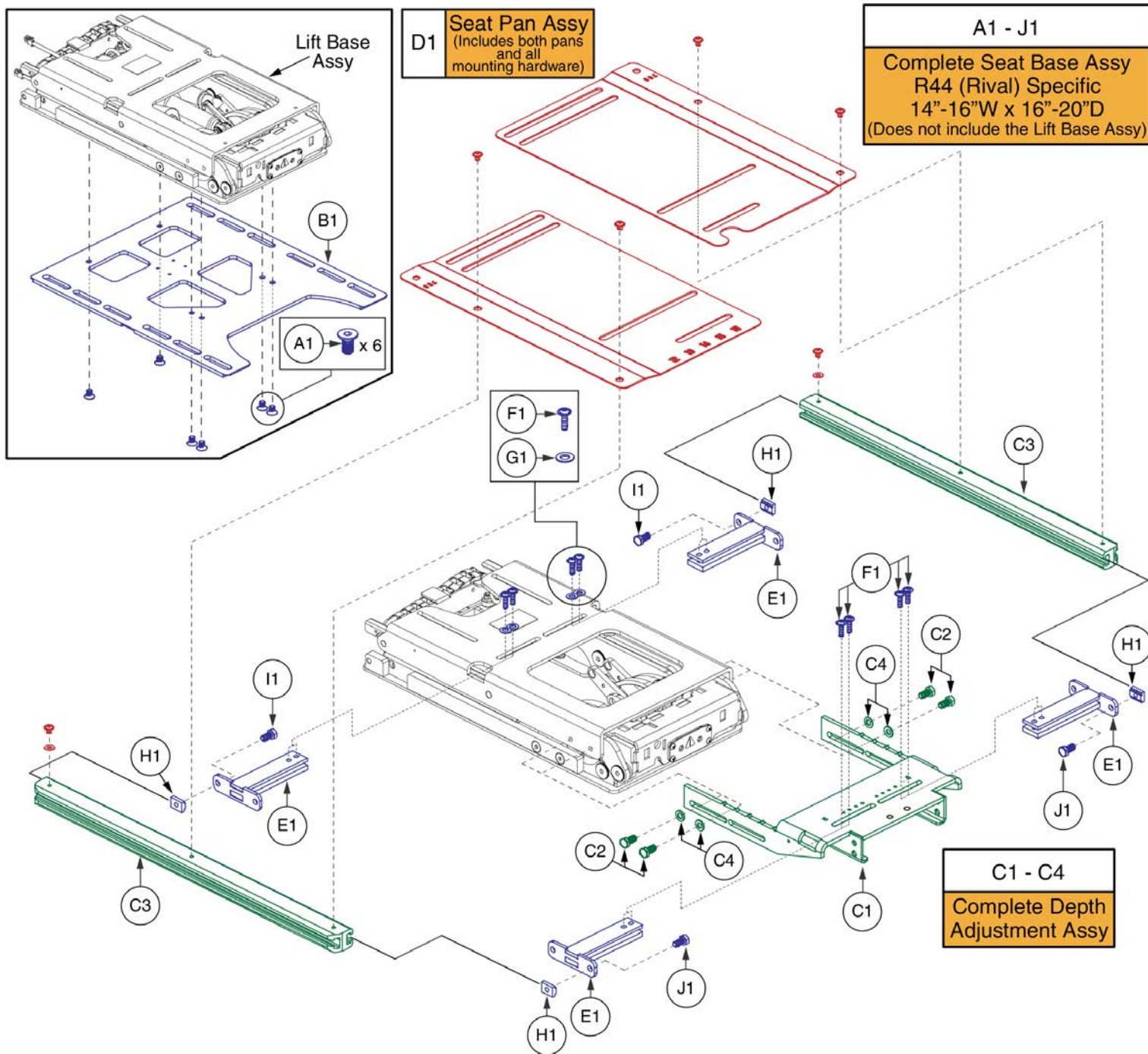
Item	Part No.	Name	Qty
A1	SET1805294	SEAT BASE,ASSY,14"W-16"W,14"D-16"D,TILT READY,REAC LIFT READY,OCCUPIED TRANSIT,TRU-BALANCE 3,WC19	1
B1	ACCBELT1016	LAP BELT,60",NON-RETRACTABLE,(SURE-LOK: FE201070)	1
C1	MEC145375	MOUNTING BRACKET,ASSY,OCCUPIED TRANSIT SECUREMENT LOOP W/DECALS	1
D1	MEC1909905	LAP BELT MOUNT,ASSY,OCCUPIED TRANSIT SECUREMENT LOOP W/DECALS	1

R44 (Rival)



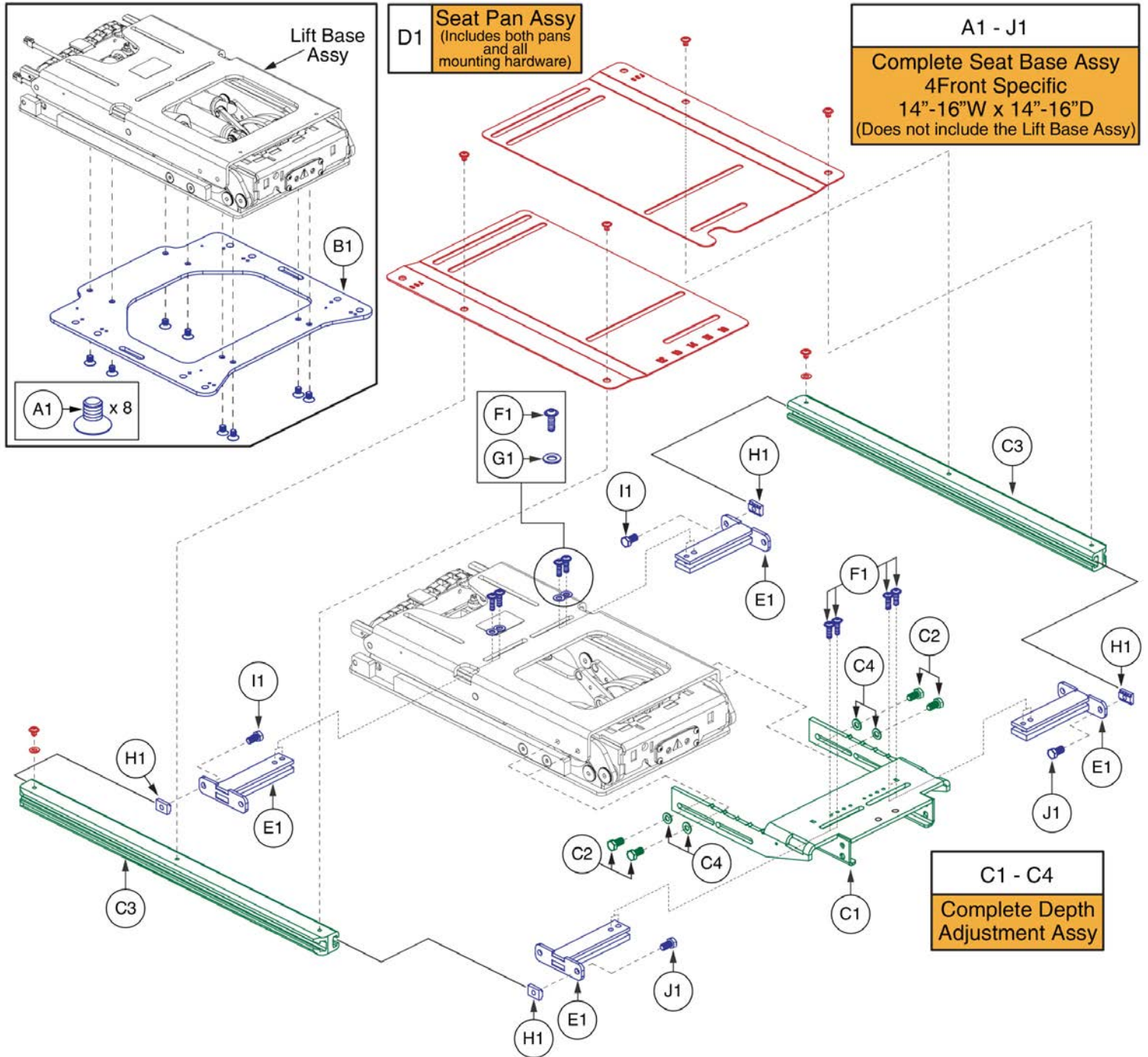
Item	Part No.	Name	Qty
A1 - J1	SET1806342	SEAT BASE,ASSY,14"W-16"W,14"D-16"D,TILT READY,REAC LIFT READY,TRU-BALANCE 3,R44	1
A1	HDW145729	SCREW,SHFH,M8-1.25 X 12MM,ISO 10642,CLASS 10.9,ASTM F1941M 8E BLACK,PATCH IFI-524	6
B1	MEC150401	INTERFACE PLATE II TO BASE, LIFT & TILT,TRU-BALANCE 3,(REAC)	1
C1 - C4	SET155898	FRAME,ASSY,14"D-16"D,DEPTH ADJUSTMENT,TRU-BALANCE 3 REAC LIFT FRAME	1
C1	MEC144774	FRAME,DEPTH ADJUSTMENT WELDMENT,16"D-20"D,VERSION 2,TRU-BALANCE 3	1
C2	SCRHHCS1412	SCREW, HEX HEAD, M8X1.25 X 16, ISO 4014, CL 10.9, BZ, PVTP	4
C3	SET123690	SEAT FRAME,SIDE RAIL,12"D-16"D,TRU-BALANCE 3 TILT,TRU-BALANCE 3	2
C4	WASMETR1010	WASHER,FLAT,BLACK ZINC,8.4MM ID X 16MM OD X 1.6MM THK,ISO 7089	4
D1	SET123998	SEAT PAN,12"W-16"W,12"D-16"D,TRU-BALANCE 3,PAIR	1
E1	MEC151007	FRAME,WIDTH ADJUSTMENT,ASSY,12"W-16"W,REAC TRU-BALANCE 3	4
F1	HDW147703	SCREW, FLANGED BUTTON HEAD, M6X1.0 X 20, ISO 7380-2, CL 10.9, BZ, PVTP	8
G1	WASSTND1097	WASHER, FLAT, 6.4 ID X 12 OD X 1.6 THK, ISO 7089-6-200 HV, BZ	4
H1	NUT8120005	NUT,T-SLOT,BLACK,M8-1.25	4
I1	SCRHHCS1412	SCREW, HEX HEAD, M8X1.25 X 16, ISO 4014, CL 10.9, BZ, PVTP	2
J1	SCRHHCS1727	SCREW,HHCS,BLACK ZINC,M8-1.25 X 20MM,GRADE 10.9,W/NYLON PATCH,C-1005-098	2

R44 (Rival)



Item	Part No.	Name	Qty
A1 - J1	SET1806343	SEAT BASE,ASSY,14"W-16"W,16"D-20"D,TILT READY,REAC LIFT READY,TRU-BALANCE 3,R44	1
A1	HDW145729	SCREW,SHFH,M8-1.25 X 12MM,ISO 10642,CLASS 10.9,ASTM F1941M 8E BLACK,PATCH IFI-524	6
B1	MEC150401	INTERFACE PLATE II TO BASE, LIFT & TILT,TRU-BALANCE 3,(REAC)	1
C1 - C4	SET148102	FRAME,ASSY,16"D-20"D,DEPTH ADJUSTMENT,TRU-BALANCE 3 REAC LIFT FRAME	1
C1	MEC144774	FRAME,DEPTH ADJUSTMENT WELDMENT,16"D-20"D,VERSION 2,TRU-BALANCE 3	1
C2	SCRHHCS1412	SCREW, HEX HEAD, M8X1.25 X 16, ISO 4014, CL 10.9, BZ, PVTP	4
C3	SET123691	SEAT FRAME,SIDE RAIL,16"D-20"D,TRU-BALANCE 3	2
C4	WASMETR1010	WASHER,FLAT,BLACK ZINC,8.4MM ID X 16MM OD X 1.6MM THK,ISO 7089	4
D1	SET123999	SEAT PAN,12"W-16"W,16"D-20"D,TRU-BALANCE 3,PAIR	1
E1	MEC151007	FRAME,WIDTH ADJUSTMENT,ASSY,12"W-16"W,REAC TRU-BALANCE 3	4
F1	HDW147703	SCREW, FLANGED BUTTON HEAD, M6X1.0 X 20, ISO 7380-2, CL 10.9, BZ, PVTP	8
G1	WASSTND1097	WASHER, FLAT, 6.4 ID X 12 OD X 1.6 THK, ISO 7089-6-200 HV, BZ	4
H1	NUT8120005	NUT,T-SLOT,BLACK,M8-1.25	4
I1	SCRHHCS1412	SCREW, HEX HEAD, M8X1.25 X 16, ISO 4014, CL 10.9, BZ, PVTP	2
J1	SCRHHCS1727	SCREW,HHCS,BLACK ZINC,M8-1.25 X 20MM,GRADE 10.9,W/NYLON PATCH,C-1005-098	2

4Front

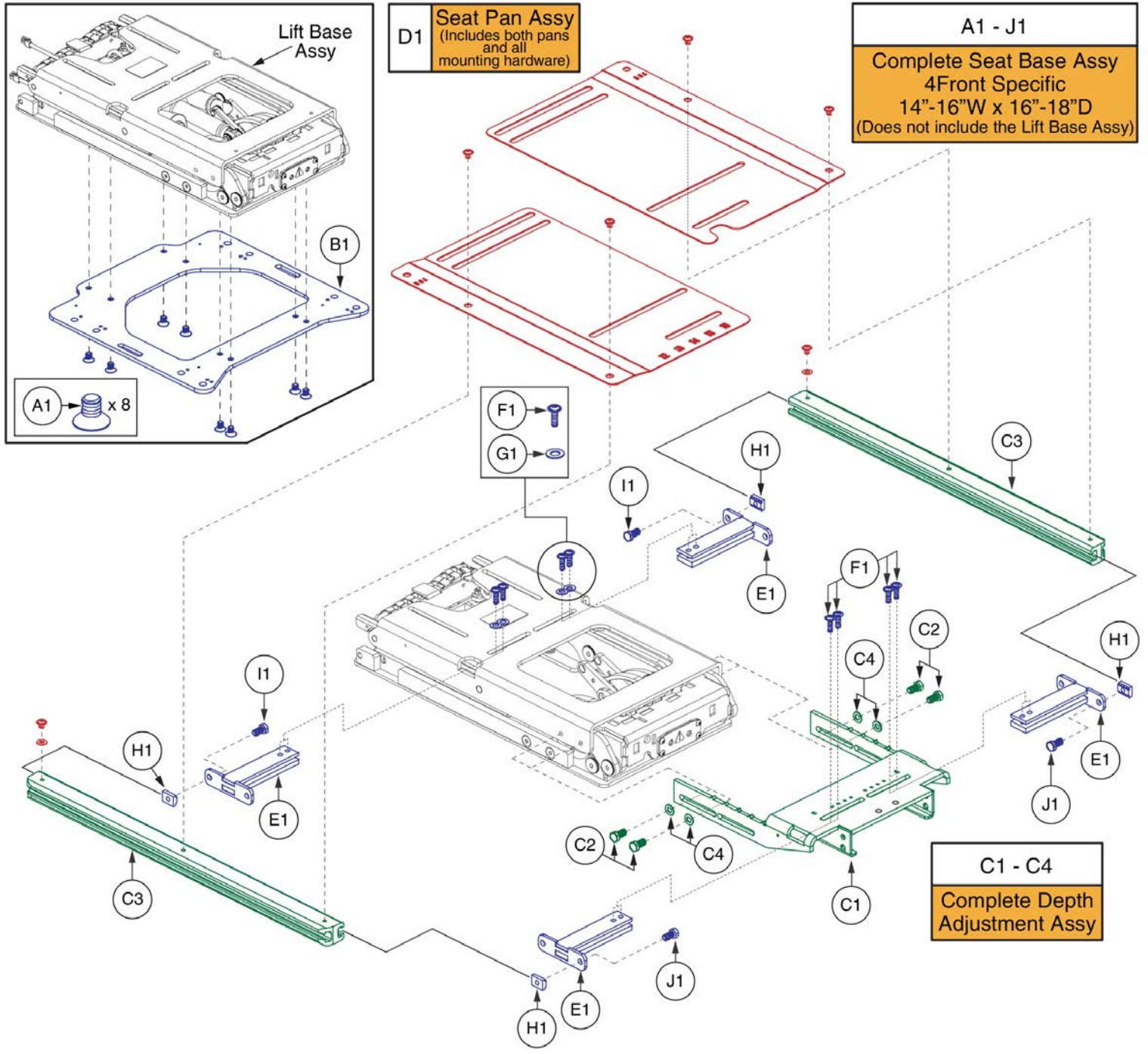


14-16"W x 14-16"D REAC L&T Seat Base, 4Front



Item	Part No.	Name	Qty
A1 - J1	SET1703494	SEAT BASE,ASSY,14"W-16"W,14"D-16"D,TILT READY,REAC LIFT READY,TRU-BALANCE 3,Q4FRONT	1
A1	HDW145729	SCREW,SHFH,M8-1.25 X 12MM,ISO 10642,CLASS 10.9,ASTM F1941M 8E BLACK,PATCH IFI-524	8
B1	MEC1612385	SEAT INTERFACE PLATE: 14, 16, 18	1
C1 - C4	SET155898	FRAME,ASSY,14"D-16"D,DEPTH ADJUSTMENT,TRU-BALANCE 3 REAC LIFT FRAME	1
C1	MEC144774	FRAME,DEPTH ADJUSTMENT WELDMENT,16"D-20"D,VERSION 2,TRU-BALANCE 3	1
C2	SCRHHCS1412	SCREW, HEX HEAD, M8X1.25 X 16, ISO 4014, CL 10.9, BZ, PVTP	4
C3	SET123690	SEAT FRAME,SIDE RAIL,12"D-16"D,TRU-BALANCE 3 TILT,TRU-BALANCE 3	2
C4	WASMETR1010	WASHER,FLAT,BLACK ZINC,8.4MM ID X 16MM OD X 1.6MM THK,ISO 7089	4
D1	SET123998	SEAT PAN,12"W-16"W,12"D-16"D,TRU-BALANCE 3,PAIR	1
E1	MEC151007	FRAME,WIDTH ADJUSTMENT,ASSY,12"W-16"W,REAC TRU-BALANCE 3	4
F1	HDW147703	SCREW, FLANGED BUTTON HEAD, M6X1.0 X 20, ISO 7380-2, CL 10.9, BZ, PVTP	8
G1	WASSTND1097	WASHER, FLAT, 6.4 ID X 12 OD X 1.6 THK, ISO 7089-6-200 HV, BZ	4
H1	NUT8120005	NUT,T-SLOT,BLACK,M8-1.25	4
I1	SCRHHCS1412	SCREW, HEX HEAD, M8X1.25 X 16, ISO 4014, CL 10.9, BZ, PVTP	2
J1	SCRHHCS1727	SCREW,HHCS,BLACK ZINC,M8-1.25 X 20MM,GRADE 10.9,W/NYLON PATCH,C-1005-098	2

4Front



D1 Seat Pan Assy
(Includes both pans
and all
mounting hardware)

A1 - J1
Complete Seat Base Assy
4Front Specific
14"-16"W x 16"-18"D
(Does not include the Lift Base Assy)

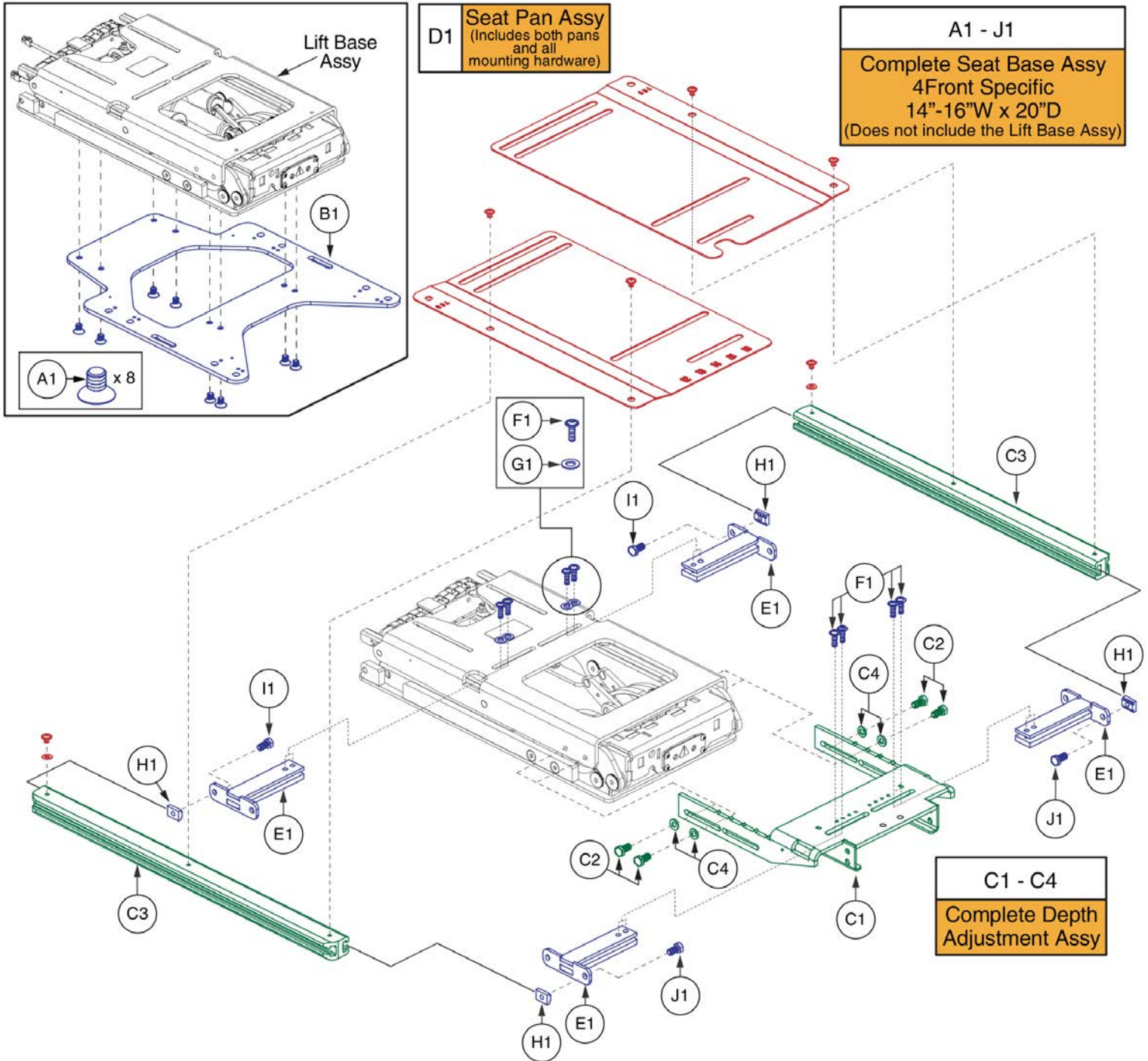
C1 - C4
Complete Depth
Adjustment Assy

14-16"W x 16-18"D REAC L&T Seat Base, 4Front



Item	Part No.	Name	Qty
A1 - J1	SET1703497	SEAT BASE,ASSY,14"W-16"W,16"D-20"D,TILT READY,REAC LIFT READY,TRU-BALANCE 3,Q4FRONT	1
A1	HDW145729	SCREW,SHFH,M8-1.25 X 12MM,ISO 10642,CLASS 10.9,ASTM F1941M 8E BLACK,PATCH IFI-524	8
B1	MEC1612385	SEAT INTERFACE PLATE: 14, 16, 18	1
C1 - C4	SET148102	FRAME,ASSY,16"D-20"D,DEPTH ADJUSTMENT,TRU-BALANCE 3 REAC LIFT FRAME	1
C1	MEC144774	FRAME,DEPTH ADJUSTMENT WELDMENT,16"D-20"D,VERSION 2,TRU-BALANCE 3	1
C2	SCRHHCS1412	SCREW, HEX HEAD, M8X1.25 X 16, ISO 4014, CL 10.9, BZ, PVTP	4
C3	SET123691	SEAT FRAME,SIDE RAIL,16"D-20"D,TRU-BALANCE 3	2
C4	WASMETR1010	WASHER,FLAT,BLACK ZINC,8.4MM ID X 16MM OD X 1.6MM THK,ISO 7089	4
D1	SET123999	SEAT PAN,12"W-16"W,16"D-20"D,TRU-BALANCE 3,PAIR	1
E1	MEC151007	FRAME,WIDTH ADJUSTMENT,ASSY,12"W-16"W,REAC TRU-BALANCE 3	4
F1	HDW147703	SCREW, FLANGED BUTTON HEAD, M6X1.0 X 20, ISO 7380-2, CL 10.9, BZ, PVTP	8
G1	WASSTND1097	WASHER, FLAT, 6.4 ID X 12 OD X 1.6 THK, ISO 7089-6-200 HV, BZ	4
H1	NUT8120005	NUT,T-SLOT,BLACK,M8-1.25	4
I1	SCRHHCS1412	SCREW, HEX HEAD, M8X1.25 X 16, ISO 4014, CL 10.9, BZ, PVTP	2
J1	SCRHHCS1727	SCREW,HHCS,BLACK ZINC,M8-1.25 X 20MM,GRADE 10.9,W/NYLON PATCH,C-1005-098	2

4Front



14-16"W x 20"D REAC L&T Seat Base, 4Front

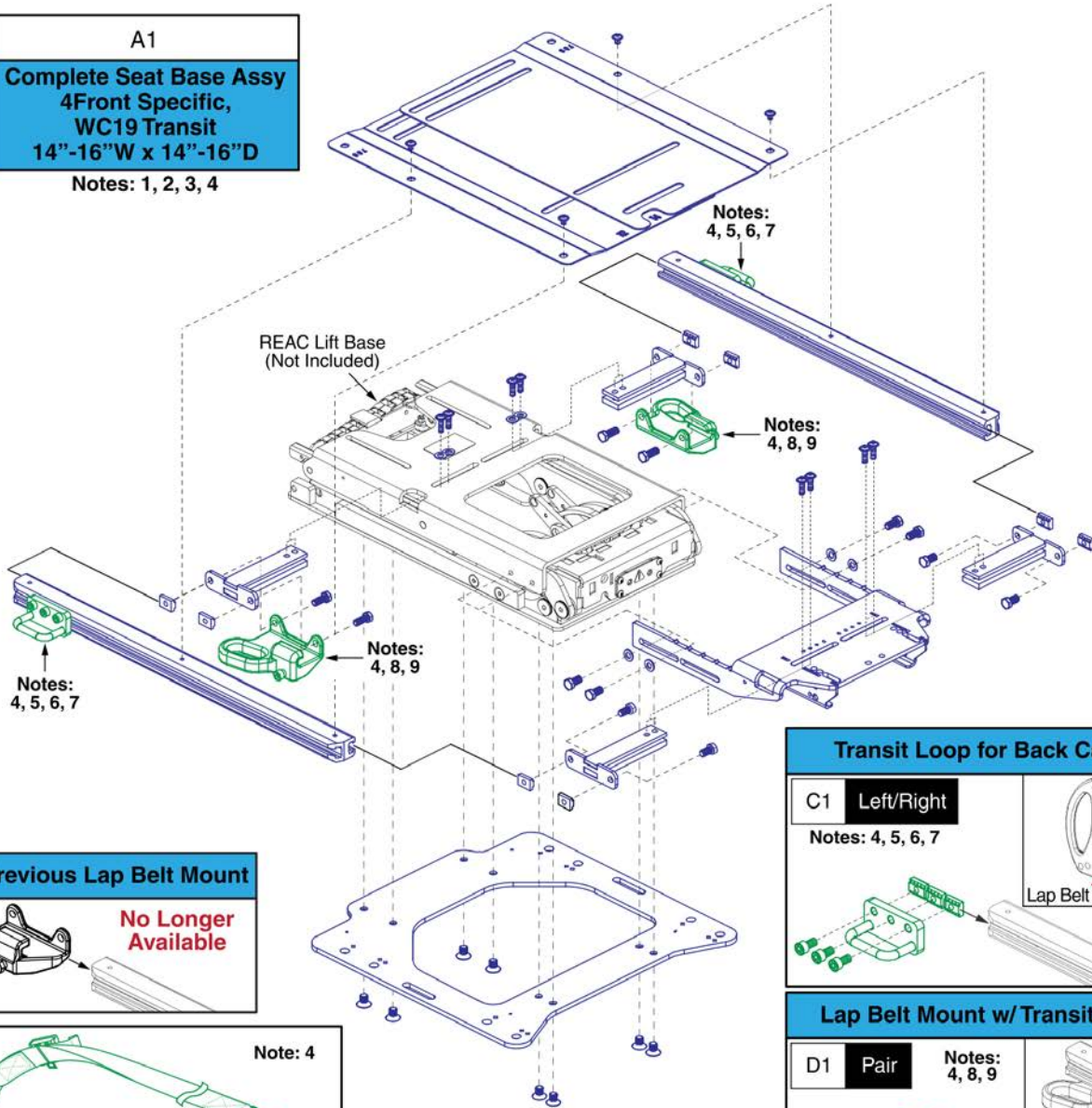


Item	Part No.	Name	Qty
A1 - J1	SET1705234	SEAT BASE,ASSY,14"W-16"W,16"D-20"D,TILT READY,REAC LIFT READY,20"D,TRU-BALANCE 3,Q4FRONT	1
A1	HDW145729	SCREW,SHFH,M8-1.25 X 12MM,ISO 10642,CLASS 10.9,ASTM F1941M 8E BLACK,PATCH IFI-524	8
B1	MEC1704783	SEAT INTERFACE PLATE: 20, 22	1
C1 - C4	SET148102	FRAME,ASSY,16"D-20"D,DEPTH ADJUSTMENT,TRU-BALANCE 3 REAC LIFT FRAME	1
C1	MEC144774	FRAME,DEPTH ADJUSTMENT WELDMENT,16"D-20"D,VERSION 2,TRU-BALANCE 3	1
C2	SCRHHCS1412	SCREW, HEX HEAD, M8X1.25 X 16, ISO 4014, CL 10.9, BZ, PVTP	4
C3	SET123691	SEAT FRAME,SIDE RAIL,16"D-20"D,TRU-BALANCE 3	2
C4	WASMETR1010	WASHER,FLAT,BLACK ZINC,8.4MM ID X 16MM OD X 1.6MM THK,ISO 7089	4
D1	SET123999	SEAT PAN,12"W-16"W,16"D-20"D,TRU-BALANCE 3,PAIR	1
E1	MEC151007	FRAME,WIDTH ADJUSTMENT,ASSY,12"W-16"W,REAC TRU-BALANCE 3	4
F1	HDW147703	SCREW, FLANGED BUTTON HEAD, M6X1.0 X 20, ISO 7380-2, CL 10.9, BZ, PVTP	8
G1	WASSTND1097	WASHER, FLAT, 6.4 ID X 12 OD X 1.6 THK, ISO 7089-6-200 HV, BZ	4
H1	NUT8120005	NUT,T-SLOT,BLACK,M8-1.25	4
I1	SCRHHCS1412	SCREW, HEX HEAD, M8X1.25 X 16, ISO 4014, CL 10.9, BZ, PVTP	2
J1	SCRHHCS1727	SCREW,HHCS,BLACK ZINC,M8-1.25 X 20MM,GRADE 10.9,W/NYLON PATCH,C-1005-098	2

4Front

Notes:	
Complete Seat Assembly	
1. The Complete Occupied Transit Seat Base (A1) should only be ordered through Technical Service. 2. Individual components are not serviceable. The complete assembly must be selected. 3. The REAC Lift Base is NOT included. See Lift Base page for selection. 4. The Lap Belt (B1) and Transit Loops (C1 / D1) are NOT included and MUST be selected separately. See notes 5 through 9 for proper transit loop selection.	
Transit Loops / Lap Belt Mount	
5. The Transit Loop (C1) is only for use on units equipped with Back Canes. 6. The Lap Belt will attach directly to the Back Cane Bracket. See the Back Cane Bracket page for selection. 7. The left side mounting mirrors the right side. A quantity of 2 must be selected for the pair. 8. The Lap Belt Mount with Transit Loop (D1) is only for use on units equipped with Static or Power Recline backs. 9. Does not include the screws or t-nuts that mount the bracket to the side rail. The Complete Seat Assembly must be selected.	

A1
Complete Seat Base Assy
 4Front Specific,
 WC19 Transit
 14"-16"W x 14"-16"D
 Notes: 1, 2, 3, 4



Previous Lap Belt Mount
 No Longer Available

Note: 4

B1
Transit System Lap Belt

Transit Loop for Back Canes

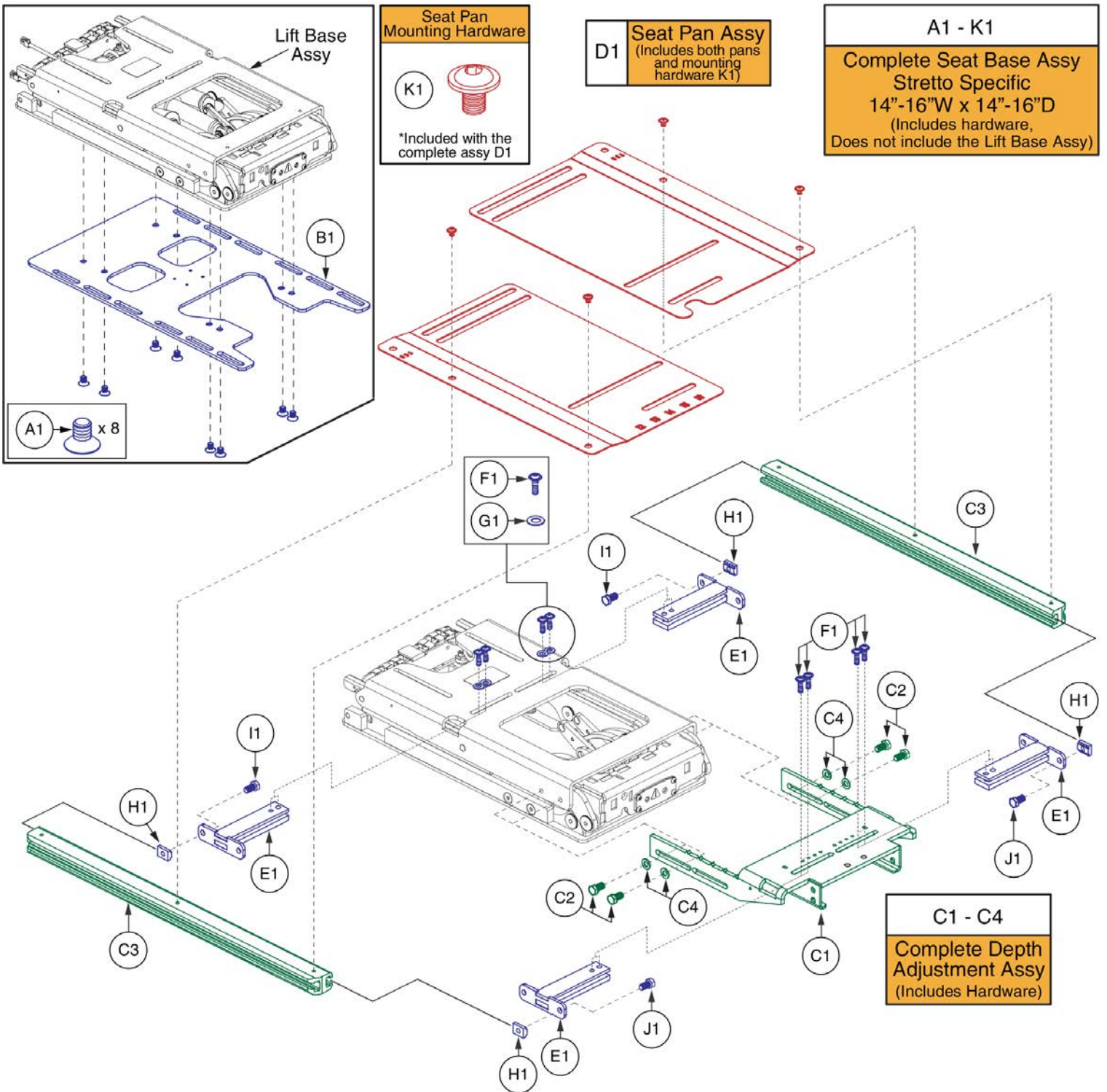
C1	Left/Right	<p>Back Cane Bracket</p> <p>Lap Belt Securement</p> <p>x1 - </p>
Notes: 4, 5, 6, 7		

Lap Belt Mount w/ Transit Loop

D1	Pair	<p>Lap Belt Securement</p> <p>x2 - </p>
Notes: 4, 8, 9		

Item	Part No.	Name	Qty
A1	SET1805295	SEAT BASE,ASSY,14"W-16"W,14"D-16"D,TILT READY,REAC LIFT READY,OCCUPIED TRANSIT,TRU-BALANCE 3,Q4FRONT	1
B1	ACCBELT1016	LAP BELT,60",NON-RETRACTABLE,(SURE-LOK: FE201070)	1
C1	MEC145375	MOUNTING BRACKET,ASSY,OCCUPIED TRANSIT SECUREMENT LOOP W/DECALS	1
D1	MEC1909905	LAP BELT MOUNT,ASSY,OCCUPIED TRANSIT SECUREMENT LOOP W/DECALS	1

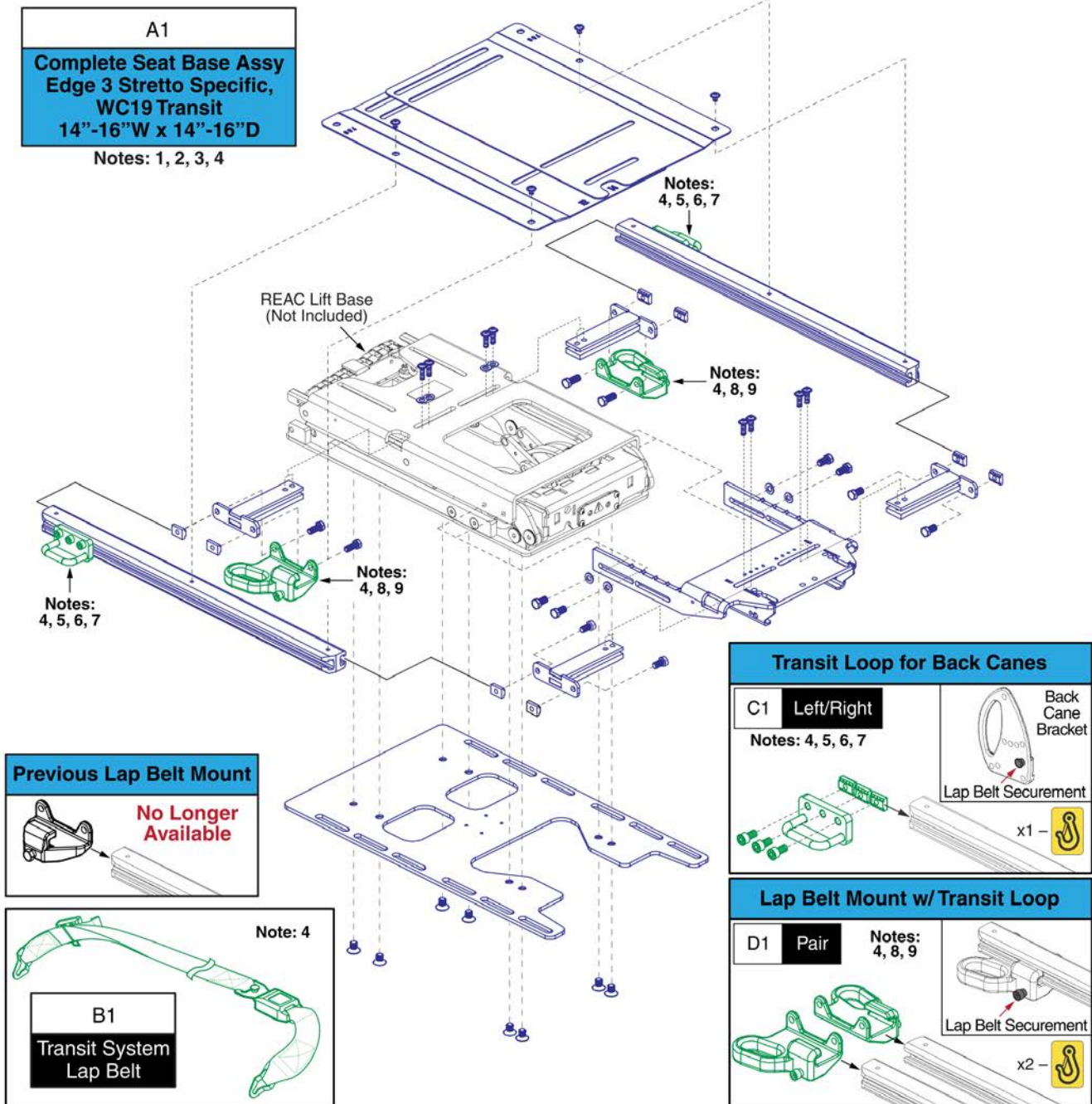
Q6 Edge 3 Stretto



Item	Part No.	Name	Qty
A1 - K1	SET1906646	SEAT BASE,ASSY,14"W-16"W,14"D-16"D,TILT READY,REAC LIFT READY,TRU-BALANCE 3,STRETTO	1
A1	HDW145729	SCREW,SHFH,M8-1.25 X 12MM,ISO 10642,CLASS 10.9,ASTM F1941M 8E BLACK,PATCH IFI-524	8
B1	MEC1711061	EDGE MINI INTERFACE PLATE	1
C1 - C4	SET155898	FRAME,ASSY,14"D-16"D,DEPTH ADJUSTMENT,TRU-BALANCE 3 REAC LIFT FRAME	1
C1	MEC144774	FRAME,DEPTH ADJUSTMENT WELDMENT,16"D-20"D,VERSION 2,TRU-BALANCE 3	1
C2	SCRHHCS1412	SCREW, HEX HEAD, M8X1.25 X 16, ISO 4014, CL 10.9, BZ, PVTP	4
C3	SET123690	SEAT FRAME,SIDE RAIL,12"D-16"D,TRU-BALANCE 3 TILT,TRU-BALANCE 3	2
C4	WASMETR1010	WASHER,FLAT,BLACK ZINC,8.4MM ID X 16MM OD X 1.6MM THK,ISO 7089	4
D1	SET123998	SEAT PAN,12"W-16"W,12"D-16"D,TRU-BALANCE 3,PAIR	1
E1	MEC151007	FRAME,WIDTH ADJUSTMENT,ASSY,12"W-16"W,REAC TRU-BALANCE 3	4
F1	HDW147703	SCREW, FLANGED BUTTON HEAD, M6X1.0 X 20, ISO 7380-2, CL 10.9, BZ, PVTP	8
G1	WASSTND1097	WASHER, FLAT, 6.4 ID X 12 OD X 1.6 THK, ISO 7089-6-200 HV, BZ	4
H1	NUT8120005	NUT,T-SLOT,BLACK,M8-1.25	4
I1	SCRHHCS1412	SCREW, HEX HEAD, M8X1.25 X 16, ISO 4014, CL 10.9, BZ, PVTP	2
J1	SCRHHCS1727	SCREW,HHCS,BLACK ZINC,M8-1.25 X 20MM,GRADE 10.9,W/NYLON PATCH,C-1005-098	2
K1	HDW121242	SCREW, BUTTON HEAD, FLANGED, M6X1.0 X 8, ISO 7380-2, CL 10.9, BZ, PVTP	4

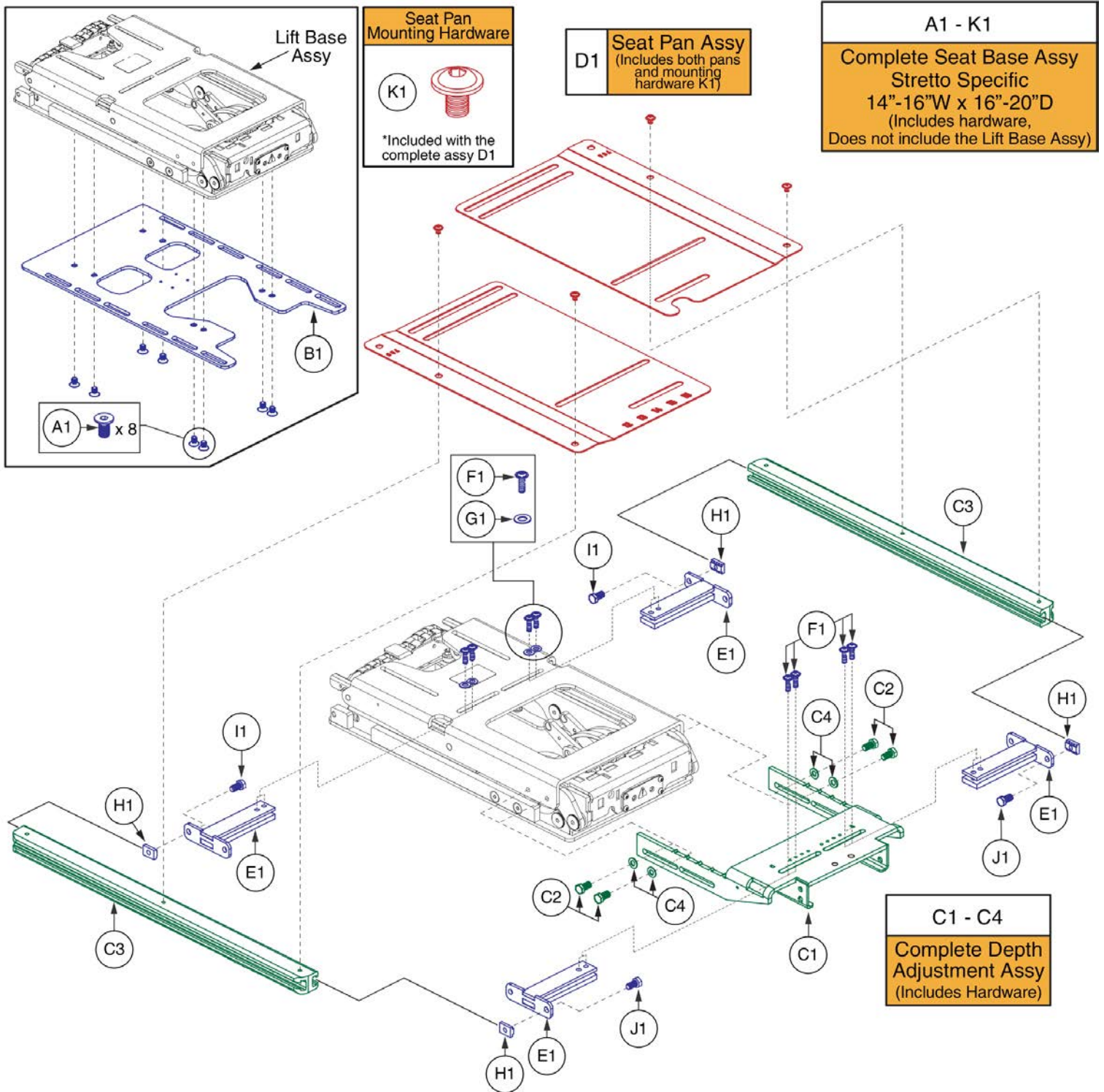
Q6 Edge 3 Stretto

Notes:
Complete Seat Assembly
<ol style="list-style-type: none"> 1. The Complete Occupied Transit Seat Base (A1) should only be ordered through Technical Service. 2. Individual components are not serviceable. The complete assembly must be selected. 3. The REAC Lift Base is NOT included. See Lift Base page for selection. 4. The Lap Belt (B1) and Transit Loops (C1 / D1) are NOT included and MUST be selected separately. See notes 5 through 9 for proper transit loop selection.
Transit Loops / Lap Belt Mount
<ol style="list-style-type: none"> 5. The Transit Loop (C1) is only for use on units equipped with Back Canes. 6. The Lap Belt will attach directly to the Back Cane Bracket. See the Back Cane Bracket page for selection. 7. The left side mounting mirrors the right side. A quantity of 2 must be selected for the pair. 8. The Lap Belt Mount with Transit Loop (D1) is only for use on units equipped with Static or Power Recline backs. 9. Does not include the screws or t-nuts that mount the bracket to the side rail. The Complete Seat Assembly must be selected.



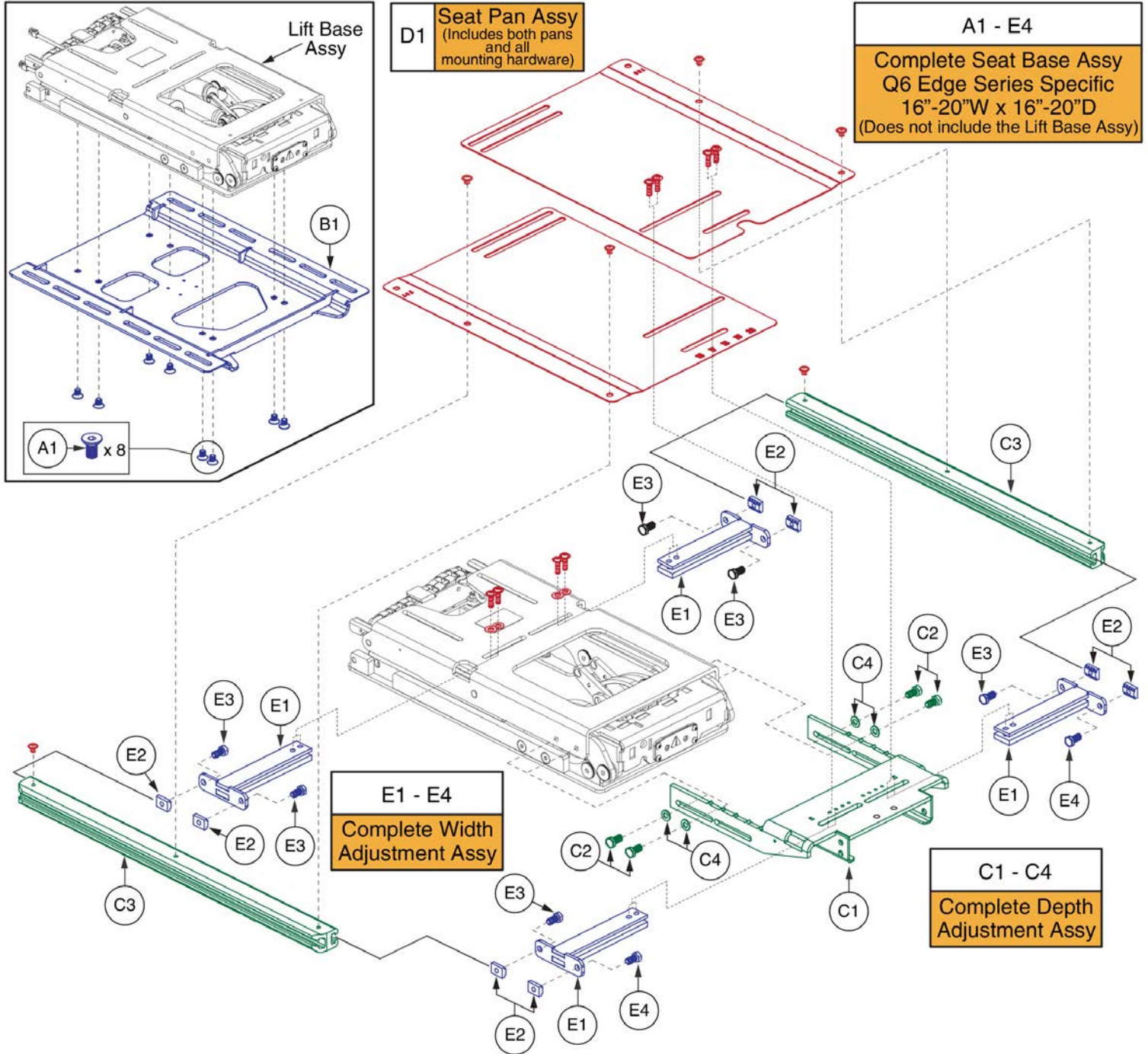
Item	Part No.	Name	Qty
A1	SET1906949	SEAT BASE,ASSY,14"W-16"W,14"D-16"D,TILT READY,REAC LIFT READY,OCCUPIED TRANSIT,TRU-BALANCE 3,STRETTO	1
B1	ACCBELT1016	LAP BELT,60",NON-RETRACTABLE,(SURE-LOK: FE201070)	1
C1	MEC145375	MOUNTING BRACKET,ASSY,OCCUPIED TRANSIT SECUREMENT LOOP W/DECALS	1
D1	MEC1909905	LAP BELT MOUNT,ASSY,OCCUPIED TRANSIT SECUREMENT LOOP W/DECALS	1

Q6 Edge 3 Stretto



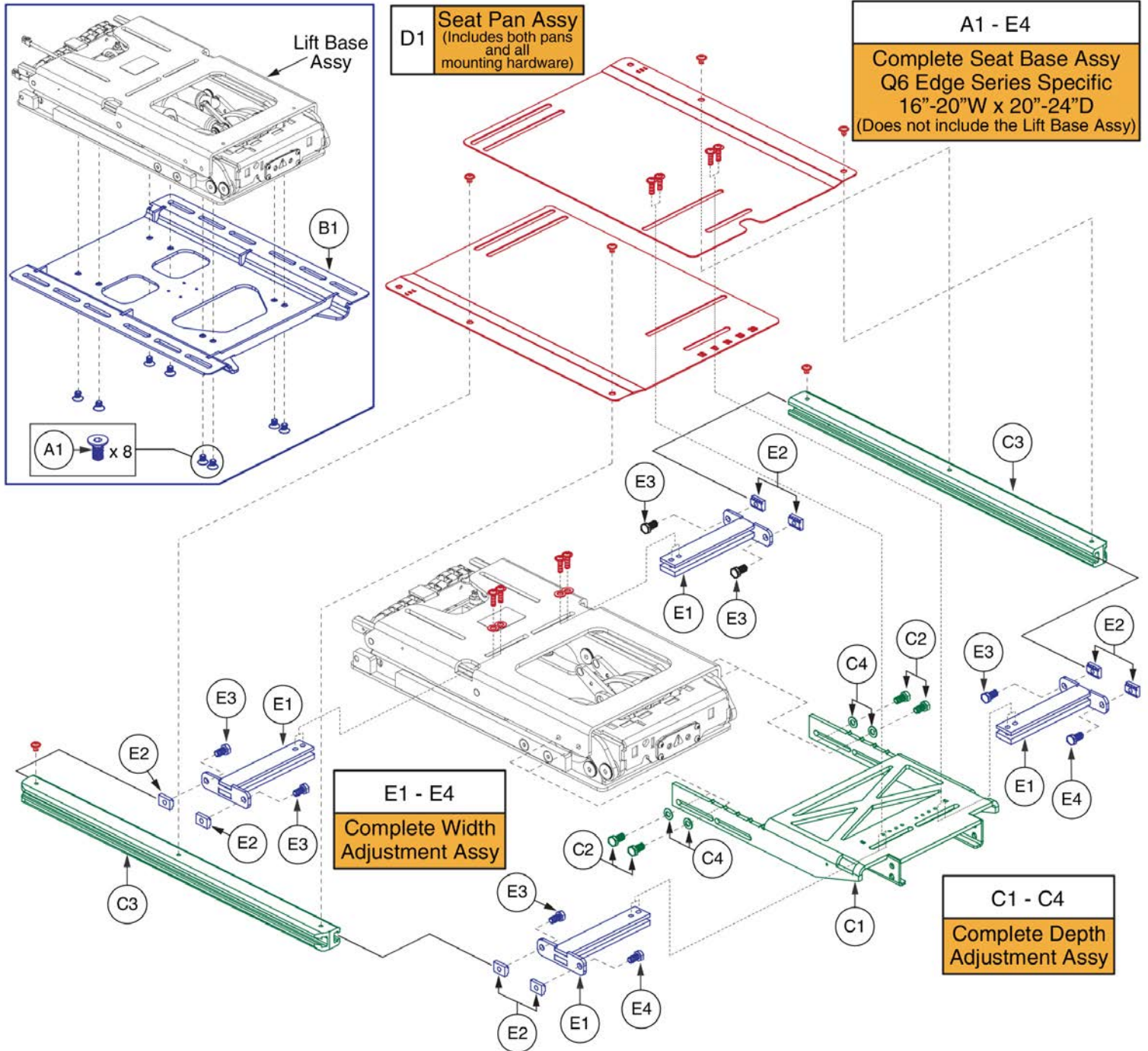
Item	Part No.	Name	Qty
A1 - K1	SET1906750	SEAT BASE,ASSY,14"W-16"W,16"D-20"D,TILT READY,REAC LIFT READY,TRU-BALANCE 3,STRETTO	1
A1	HDW145729	SCREW,SHFH,M8-1.25 X 12MM,ISO 10642,CLASS 10.9,ASTM F1941M 8E BLACK,PATCH IFI-524	8
B1	MEC1711061	EDGE MINI INTERFACE PLATE	1
C1 - C4	SET148102	FRAME,ASSY,16"D-20"D,DEPTH ADJUSTMENT,TRU-BALANCE 3 REAC LIFT FRAME	1
C1	MEC144774	FRAME,DEPTH ADJUSTMENT WELDMENT,16"D-20"D,VERSION 2,TRU-BALANCE 3	1
C2	SCRHHCS1412	SCREW, HEX HEAD, M8X1.25 X 16, ISO 4014, CL 10.9, BZ, PVTP	4
C3	SET123691	SEAT FRAME,SIDE RAIL,16"D-20"D,TRU-BALANCE 3	2
C4	WASMETR1010	WASHER,FLAT,BLACK ZINC,8.4MM ID X 16MM OD X 1.6MM THK,ISO 7089	4
D1	SET123999	SEAT PAN,12"W-16"W,16"D-20"D,TRU-BALANCE 3,PAIR	1
E1	MEC151007	FRAME,WIDTH ADJUSTMENT,ASSY,12"W-16"W,REAC TRU-BALANCE 3	4
F1	HDW147703	SCREW, FLANGED BUTTON HEAD, M6X1.0 X 20, ISO 7380-2, CL 10.9, BZ, PVTP	8
G1	WASSTND1097	WASHER, FLAT, 6.4 ID X 12 OD X 1.6 THK, ISO 7089-6-200 HV, BZ	4
H1	NUT8120005	NUT,T-SLOT,BLACK,M8-1.25	4
I1	SCRHHCS1412	SCREW, HEX HEAD, M8X1.25 X 16, ISO 4014, CL 10.9, BZ, PVTP	2
J1	SCRHHCS1727	SCREW,HHCS,BLACK ZINC,M8-1.25 X 20MM,GRADE 10.9,W/NYLON PATCH,C-1005-098	2
K1	HDW121242	SCREW, BUTTON HEAD, FLANGED, M6X1.0 X 8, ISO 7380-2, CL 10.9, BZ, PVTP	4

Q6 Edge Series



Item	Part No.	Name	Qty
A1 - E4	SET148101	SEAT BASE,ASSY,16"W-20"W,16"D-20"D,TILT READY,REAC LIFT READY,TRU-BALANCE 3	1
A1	HDW145729	SCREW,SHFH,M8-1.25 X 12MM,ISO 10642,CLASS 10.9,ASTM F1941M 8E BLACK,PATCH IFI-524	8
B1	MEC148448	INTERFACE PLATE TO BASE,VERSION 2,TRU-BALANCE 3 REAC LIFT & TILT	1
C1 - C4	SET148102	FRAME,ASSY,16"D-20"D,DEPTH ADJUSTMENT,TRU-BALANCE 3 REAC LIFT FRAME	1
C1	MEC144774	FRAME,DEPTH ADJUSTMENT WELDMENT,16"D-20"D,VERSION 2,TRU-BALANCE 3	1
C2	SCRHHCS1412	SCREW, HEX HEAD, M8X1.25 X 16, ISO 4014, CL 10.9, BZ, PVTP	4
C3	SET123691	SEAT FRAME,SIDE RAIL,16"D-20"D,TRU-BALANCE 3	2
C4	WASMETR1010	WASHER,FLAT,BLACK ZINC,8.4MM ID X 16MM OD X 1.6MM THK,ISO 7089	4
D1	SET148104	SEAT PAN,16"W-20"W,16"D-20"D,TRU-BALANCE 3 REAC LIFT FRAME,PAIR	1
E1 - E4	SET148103	FRAME,ASSY,16"W-20"W,WIDTH ADJUSTMENT,TRU-BALANCE 3 REAC LIFT	1
E1	MEC144370	FRAME,WIDTH ADJUSTMENT WELDMENT,16"W-20"W,VERSION 2,TRU-BALANCE 3	4
E2	NUT8120005	NUT,T-SLOT,BLACK,M8-1.25	8
E3	SCRHHCS1412	SCREW, HEX HEAD, M8X1.25 X 16, ISO 4014, CL 10.9, BZ, PVTP	6
E4	SCRHHCS1727	SCREW,HHCS,BLACK ZINC,M8-1.25 X 20MM,GRADE 10.9,W/NYLON PATCH,C-1005-098	2

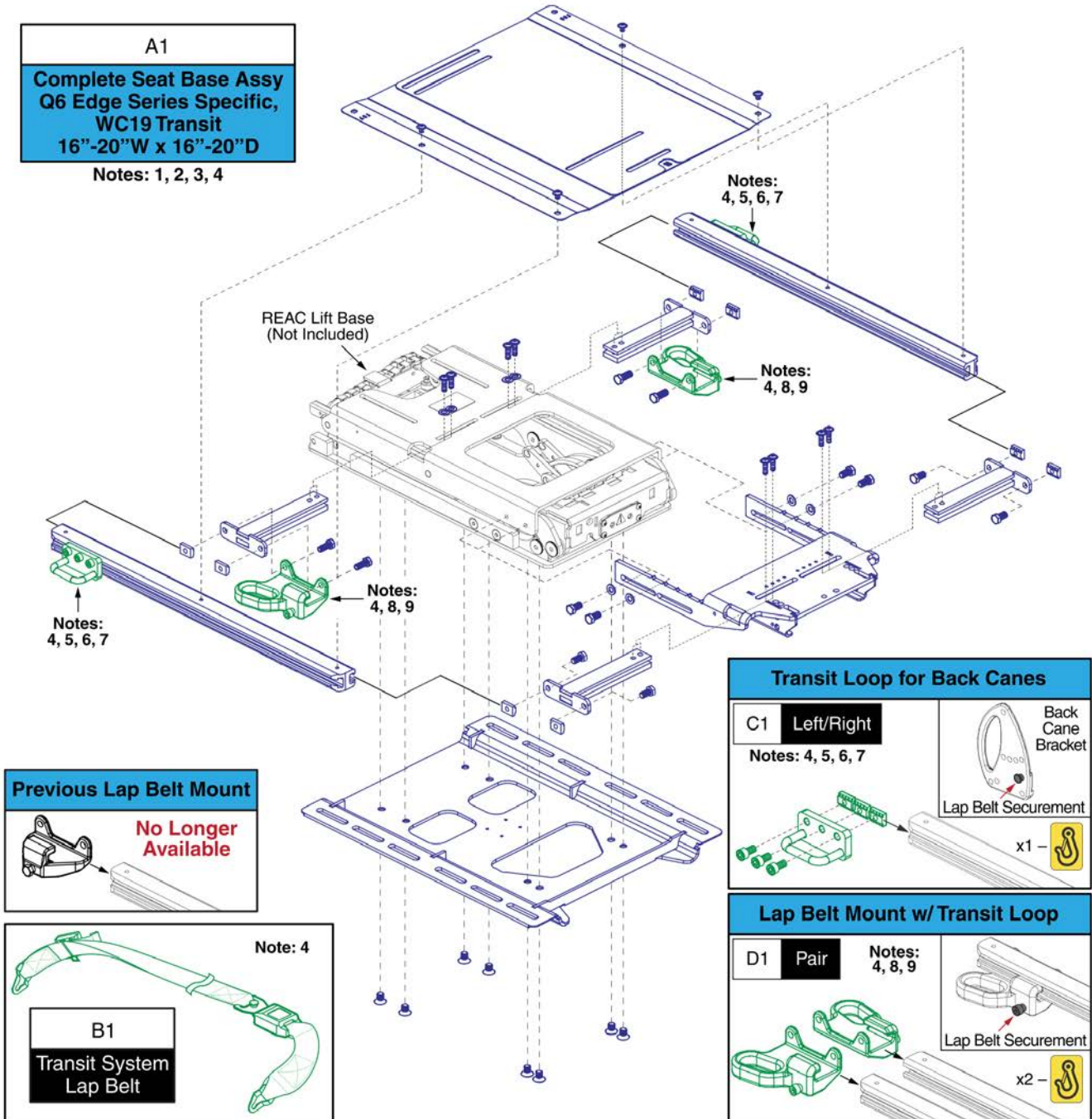
Q6 Edge Series



Item	Part No.	Name	Qty
A1 - E4	SET148107	SEAT BASE,ASSY,16"W-20"W,20"D-24"D,TILT READY,REAC LIFT READY,TRU-BALANCE 3	1
A1	HDW145729	SCREW,SHFH,M8-1.25 X 12MM,ISO 10642,CLASS 10.9,ASTM F1941M 8E BLACK,PATCH IFI-524	8
B1	MEC148448	INTERFACE PLATE TO BASE,VERSION 2,TRU-BALANCE 3 REAC LIFT & TILT	1
C1 - C4	SET148109	FRAME,ASSY,20"D-24"D,DEPTH ADJUSTMENT,TRU-BALANCE 3 REAC LIFT FRAME	1
C1	MEC145988	FRAME,DEPTH ADJUSTMENT WELDMENT,20"D-24"D,VERSION 2,TRU-BALANCE 3	1
C2	SCRHHCS1412	SCREW, HEX HEAD, M8X1.25 X 16, ISO 4014, CL 10.9, BZ, PVTP	4
C3	SET123692	SEAT FRAME,SIDE RAIL,20"D-24"D,TRU-BALANCE 3	2
C4	WASMETR1010	WASHER,FLAT,BLACK ZINC,8.4MM ID X 16MM OD X 1.6MM THK,ISO 7089	4
D1	SET148110	SEAT PAN,16"W-20"W,20"D-24"D,TB3 REAC LIFT FRAME,PAIR	1
E1 - E4	SET148103	FRAME,ASSY,16"W-20"W,WIDTH ADJUSTMENT,TRU-BALANCE 3 REAC LIFT	1
E1	MEC144370	FRAME,WIDTH ADJUSTMENT WELDMENT,16"W-20"W,VERSION 2,TRU-BALANCE 3	4
E2	NUT8120005	NUT,T-SLOT,BLACK,M8-1.25	8
E3	SCRHHCS1412	SCREW, HEX HEAD, M8X1.25 X 16, ISO 4014, CL 10.9, BZ, PVTP	6
E4	SCRHHCS1727	SCREW,HHCS,BLACK ZINC,M8-1.25 X 20MM,GRADE 10.9,W/NYLON PATCH,C-1005-098	2

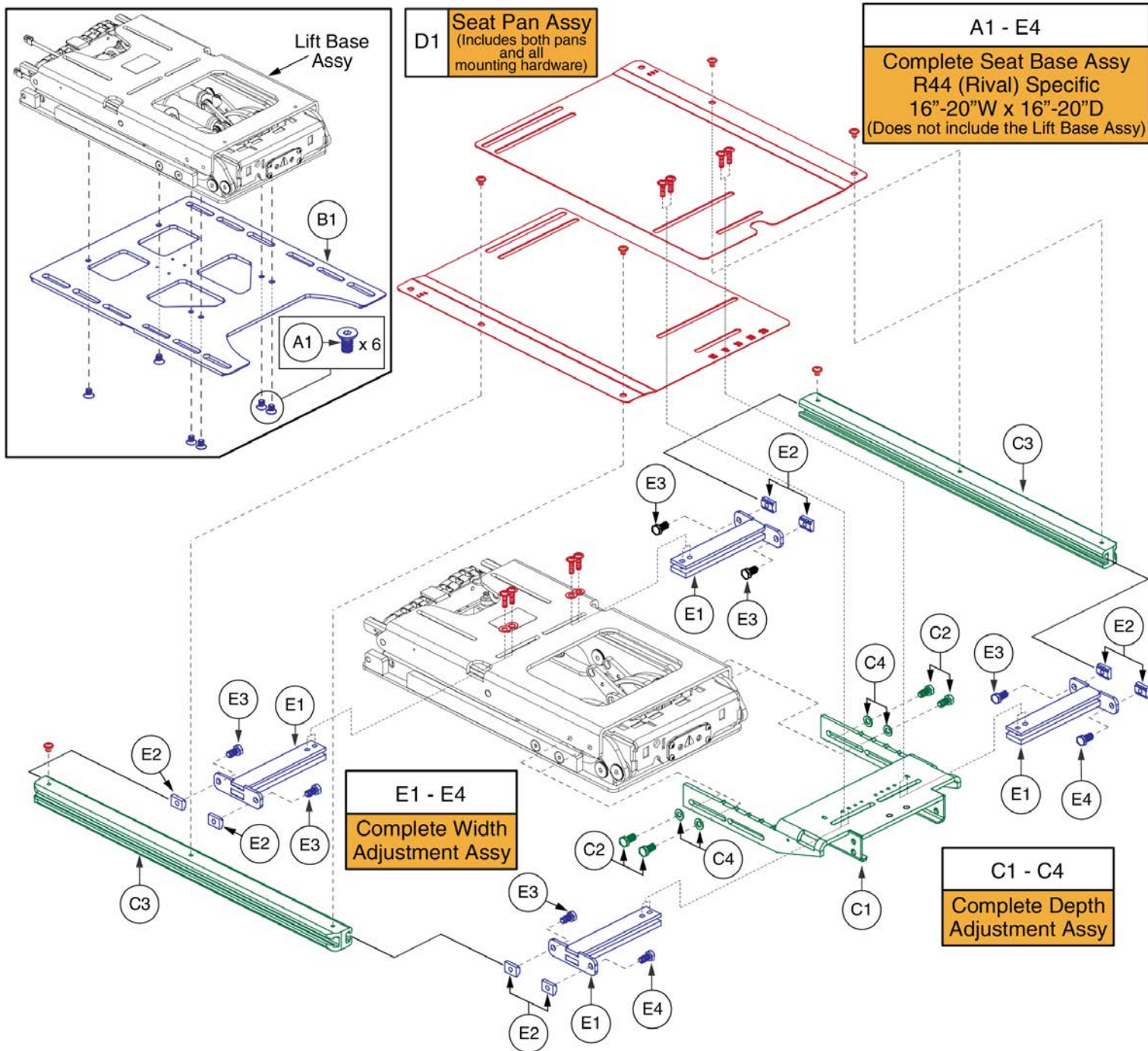
Q6 Edge Series

- Notes:**
- Complete Seat Assembly**
1. The Complete Occupied Transit Seat Base (A1) should only be ordered through Technical Service.
 2. Individual components are not serviceable. The complete assembly must be selected.
 3. The REAC Lift Base is **NOT** included. See Lift Base page for selection.
 4. The Lap Belt (B1) and Transit Loops (C1 / D1) are **NOT** included and **MUST** be selected separately. See notes 5 through 9 for proper transit loop selection.
-
- Transit Loops / Lap Belt Mount**
5. The Transit Loop (C1) is only for use on units equipped with Back Canes.
 6. The Lap Belt will attach directly to the Back Cane Bracket. See the Back Cane Bracket page for selection.
 7. The left side mounting mirrors the right side. A quantity of 2 must be selected for the pair.
 8. The Lap Belt Mount with Transit Loop (D1) is only for use on units equipped with Static or Power Recline backs.
 9. Does not include the screws or t-nuts that mount the bracket to the side rail. The Complete Seat Assembly must be selected.



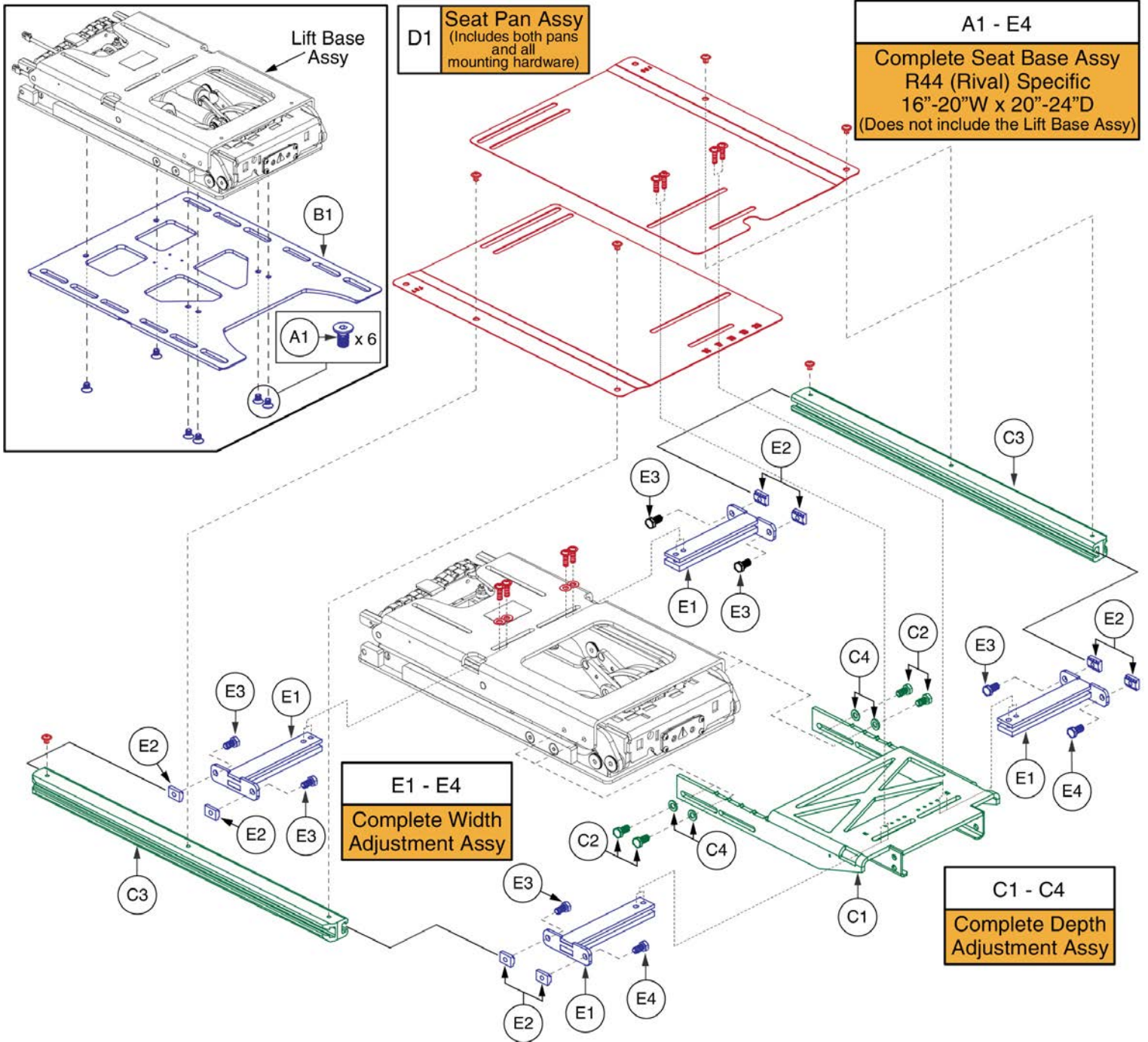
Item	Part No.	Name	Qty
A1	SET154030	SEAT BASE,ASSY,16"W-20"W,16"D-20"D,TILT READY,REAC LIFT READY,OCCUPIED TRANSIT,TRU-BALANCE 3,WC19	1
B1	ACCBELT1016	LAP BELT,60",NON-RETRACTABLE,(SURE-LOK: FE201070)	1
C1	MEC145375	MOUNTING BRACKET,ASSY,OCCUPIED TRANSIT SECUREMENT LOOP W/DECALS	1
D1	MEC1909905	LAP BELT MOUNT,ASSY,OCCUPIED TRANSIT SECUREMENT LOOP W/DECALS	1

R44 (Rival)



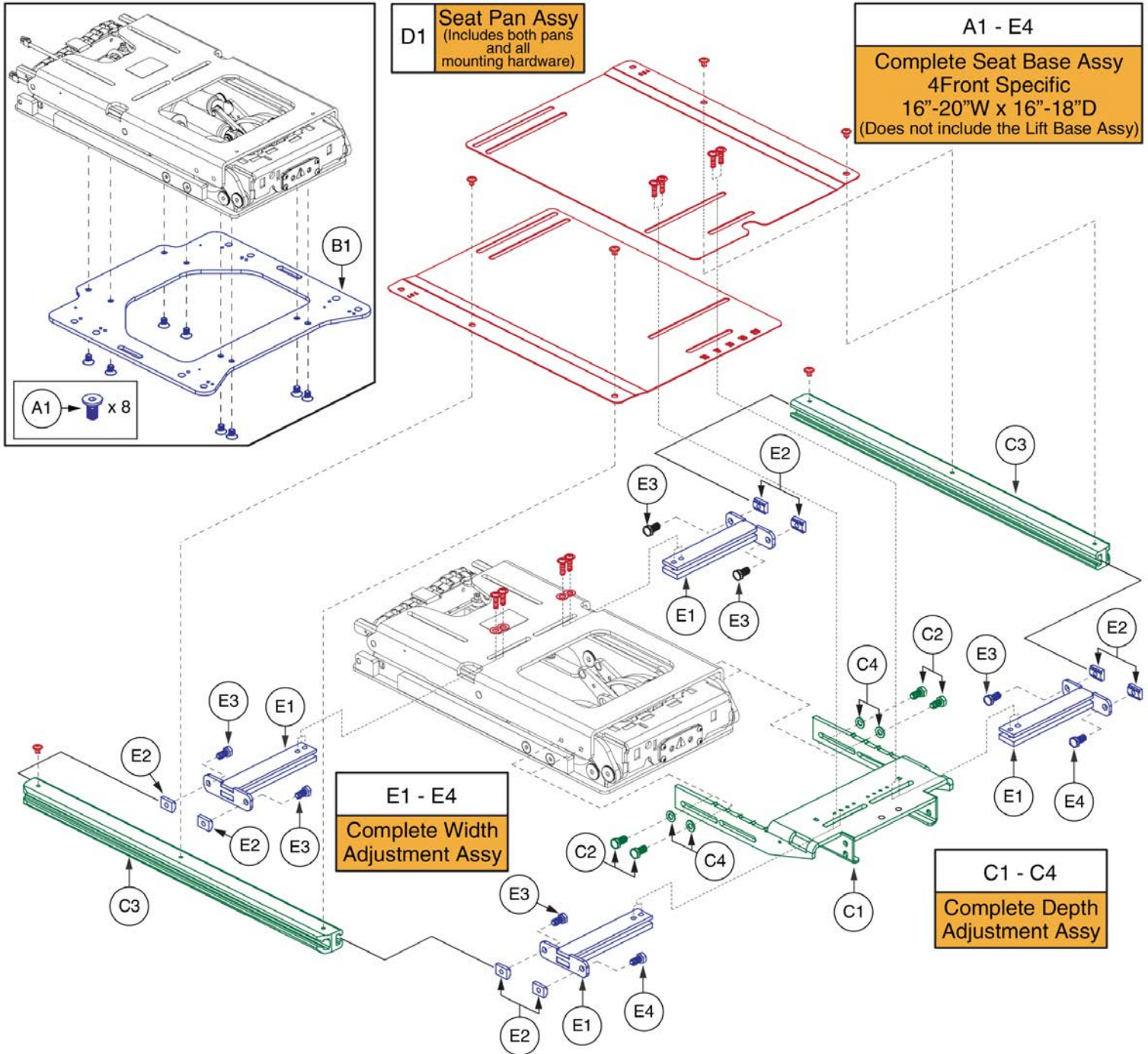
Item	Part No.	Name	Qty
A1 - E4	SET1806344	SEAT BASE,ASSY,16"W-20"W,16"D-20"D,TILT READY,REAC LIFT READY,TRU-BALANCE 3,R44	1
A1	HDW145729	SCREW,SHFH,M8-1.25 X 12MM,ISO 10642,CLASS 10.9,ASTM F1941M 8E BLACK,PATCH IFI-524	6
B1	MEC150401	INTERFACE PLATE II TO BASE, LIFT & TILT,TRU-BALANCE 3,(REAC)	1
C1 - C4	SET148102	FRAME,ASSY,16"D-20"D,DEPTH ADJUSTMENT,TRU-BALANCE 3 REAC LIFT FRAME	1
C1	MEC144774	FRAME,DEPTH ADJUSTMENT WELDMENT,16"D-20"D,VERSION 2,TRU-BALANCE 3	1
C2	SCRHHCS1412	SCREW, HEX HEAD, M8X1.25 X 16, ISO 4014, CL 10.9, BZ, PVTP	4
C3	SET123691	SEAT FRAME,SIDE RAIL,16"D-20"D,TRU-BALANCE 3	2
C4	WASMETR1010	WASHER,FLAT,BLACK ZINC,8.4MM ID X 16MM OD X 1.6MM THK,ISO 7089	4
D1	SET148104	SEAT PAN,16"W-20"W,16"D-20"D,TRU-BALANCE 3 REAC LIFT FRAME,PAIR	1
E1 - E4	SET148103	FRAME,ASSY,16"W-20"W,WIDTH ADJUSTMENT,TRU-BALANCE 3 REAC LIFT	1
E1	MEC144370	FRAME,WIDTH ADJUSTMENT WELDMENT,16"W-20"W,VERSION 2,TRU-BALANCE 3	4
E2	NUT8120005	NUT,T-SLOT,BLACK,M8-1.25	8
E3	SCRHHCS1412	SCREW, HEX HEAD, M8X1.25 X 16, ISO 4014, CL 10.9, BZ, PVTP	6
E4	SCRHHCS1727	SCREW,HHCS,BLACK ZINC,M8-1.25 X 20MM,GRADE 10.9,W/NYLON PATCH,C-1005-098	2

R44 (Rival)



Item	Part No.	Name	Qty
A1 - E4	SET1806345	SEAT BASE,ASSY,16"W-20"W,20"D-24"D,TILT READY,REAC LIFT READY,TRU-BALANCE 3,R44	1
A1	HDW145729	SCREW,SHFH,M8-1.25 X 12MM,ISO 10642,CLASS 10.9,ASTM F1941M 8E BLACK,PATCH IFI-524	6
B1	MEC150401	INTERFACE PLATE II TO BASE, LIFT & TILT,TRU-BALANCE 3,(REAC)	1
C1 - C4	SET148109	FRAME,ASSY,20"D-24"D,DEPTH ADJUSTMENT,TRU-BALANCE 3 REAC LIFT FRAME	1
C1	MEC145988	FRAME,DEPTH ADJUSTMENT WELDMENT,20"D-24"D,VERSION 2,TRU-BALANCE 3	1
C2	SCRHHCS1412	SCREW, HEX HEAD, M8X1.25 X 16, ISO 4014, CL 10.9, BZ, PVTP	4
C3	SET123692	SEAT FRAME,SIDE RAIL,20"D-24"D,TRU-BALANCE 3	2
C4	WASMETR1010	WASHER,FLAT,BLACK ZINC,8.4MM ID X 16MM OD X 1.6MM THK,ISO 7089	4
D1	SET148110	SEAT PAN,16"W-20"W,20"D-24"D,TB3 REAC LIFT FRAME,PAIR	1
E1 - E4	SET148103	FRAME,ASSY,16"W-20"W,WIDTH ADJUSTMENT,TRU-BALANCE 3 REAC LIFT	1
E1	MEC144370	FRAME,WIDTH ADJUSTMENT WELDMENT,16"W-20"W,VERSION 2,TRU-BALANCE 3	4
E2	NUT8120005	NUT,T-SLOT,BLACK,M8-1.25	8
E3	SCRHHCS1412	SCREW, HEX HEAD, M8X1.25 X 16, ISO 4014, CL 10.9, BZ, PVTP	6
E4	SCRHHCS1727	SCREW,HHCS,BLACK ZINC,M8-1.25 X 20MM,GRADE 10.9,W/NYLON PATCH,C-1005-098	2

4Front

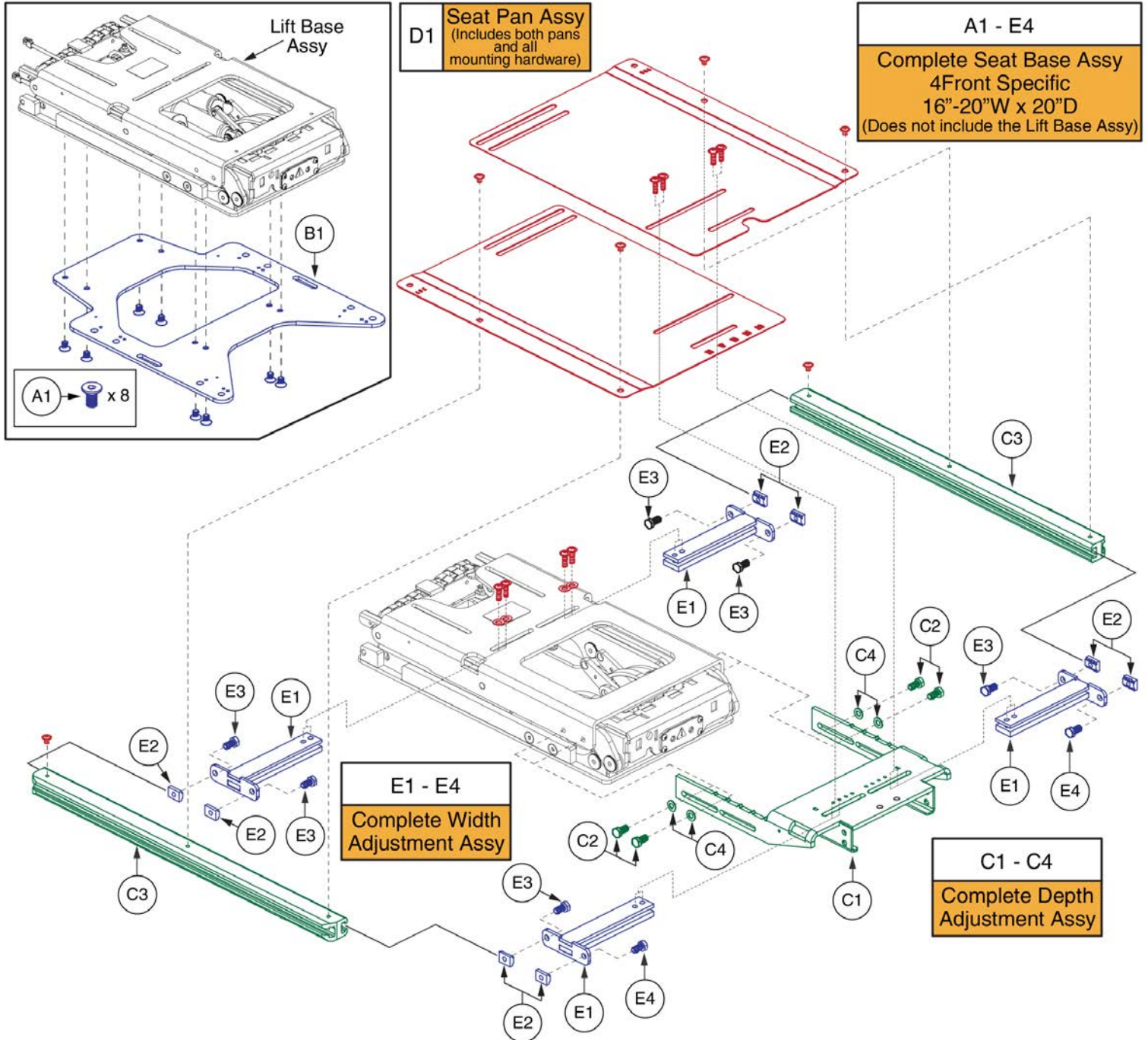


16-20"W x 16-18"D REAC L&T Seat Base, 4Front



Item	Part No.	Name	Qty
A1 - E4	SET1703498	SEAT BASE,ASSY,16"W-20"W,16"D-20"D,TILT READY,REAC LIFT READY,TRU-BALANCE 3,Q4FRONT	1
A1	HDW145729	SCREW,SHFH,M8-1.25 X 12MM,ISO 10642,CLASS 10.9,ASTM F1941M 8E BLACK,PATCH IFI-524	8
B1	MEC1612385	SEAT INTERFACE PLATE: 14, 16, 18	1
C1 - C4	SET148102	FRAME,ASSY,16"D-20"D,DEPTH ADJUSTMENT,TRU-BALANCE 3 REAC LIFT FRAME	1
C1	MEC144774	FRAME,DEPTH ADJUSTMENT WELDMENT,16"D-20"D,VERSION 2,TRU-BALANCE 3	1
C2	SCRHHCS1412	SCREW, HEX HEAD, M8X1.25 X 16, ISO 4014, CL 10.9, BZ, PVTP	4
C3	SET123691	SEAT FRAME,SIDE RAIL,16"D-20"D,TRU-BALANCE 3	2
C4	WASMETR1010	WASHER,FLAT,BLACK ZINC,8.4MM ID X 16MM OD X 1.6MM THK,ISO 7089	4
D1	SET148104	SEAT PAN,16"W-20"W,16"D-20"D,TRU-BALANCE 3 REAC LIFT FRAME,PAIR	1
E1 - E4	SET148103	FRAME,ASSY,16"W-20"W,WIDTH ADJUSTMENT,TRU-BALANCE 3 REAC LIFT	1
E1	MEC144370	FRAME,WIDTH ADJUSTMENT WELDMENT,16"W-20"W,VERSION 2,TRU-BALANCE 3	4
E2	NUT8120005	NUT,T-SLOT,BLACK,M8-1.25	8
E3	SCRHHCS1412	SCREW, HEX HEAD, M8X1.25 X 16, ISO 4014, CL 10.9, BZ, PVTP	6
E4	SCRHHCS1727	SCREW,HHCS,BLACK ZINC,M8-1.25 X 20MM,GRADE 10.9,W/NYLON PATCH,C-1005-098	2

4Front

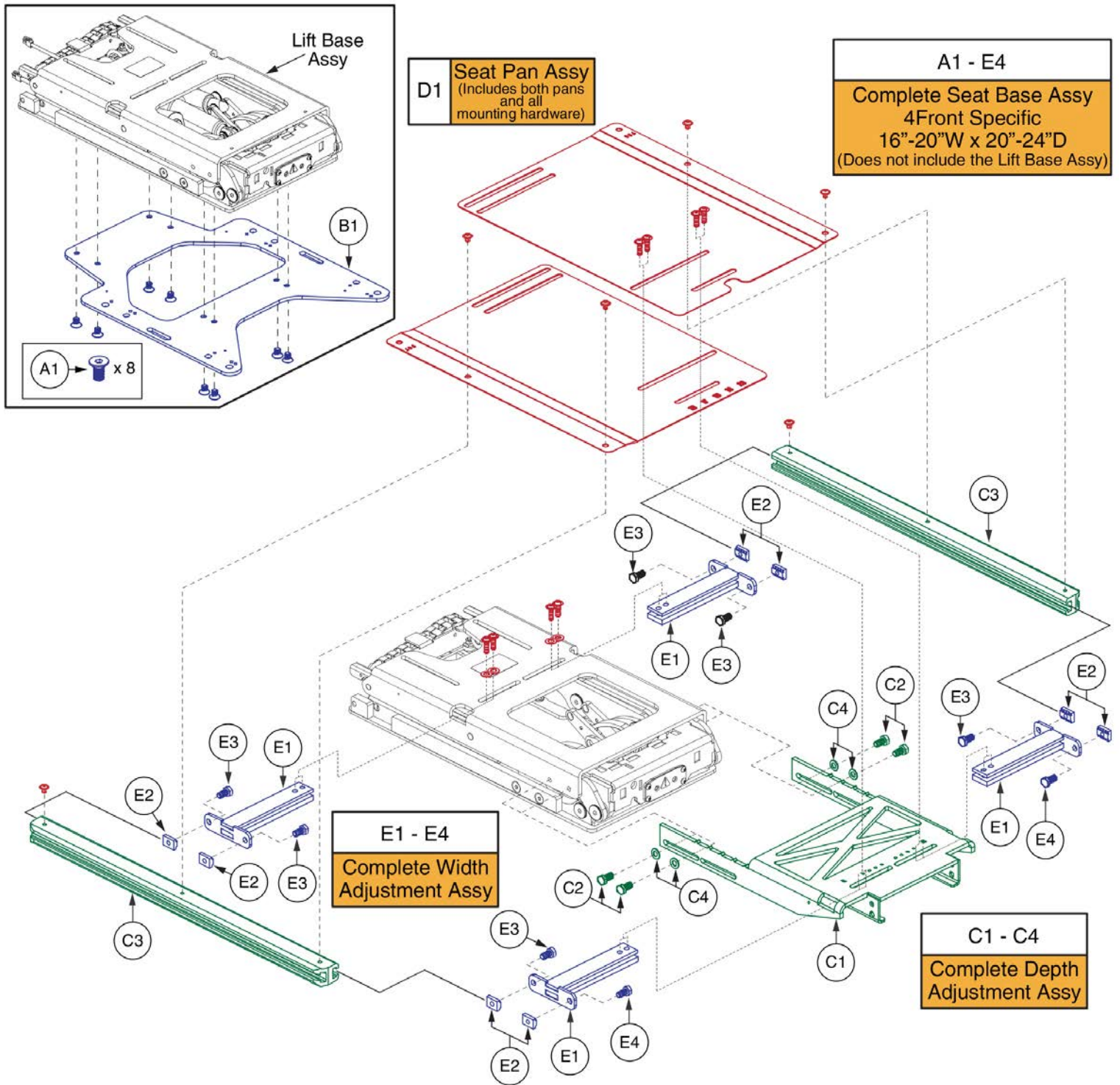


16-20"W x 20"D REAC L&T Seat Base, 4Front



Item	Part No.	Name	Qty
A1 - E4	SET1705235	SEAT BASE,ASSY,16"W-20"W,16"D-20"D,TILT READY,REAC LIFT READY,20"D,TRU-BALANCE 3,Q4FRONT	1
A1	HDW145729	SCREW,SHFH,M8-1.25 X 12MM,ISO 10642,CLASS 10.9,ASTM F1941M 8E BLACK,PATCH IFI-524	8
B1	MEC1704783	SEAT INTERFACE PLATE: 20, 22	1
C1 - C4	SET148102	FRAME,ASSY,16"D-20"D,DEPTH ADJUSTMENT,TRU-BALANCE 3 REAC LIFT FRAME	1
C1	MEC144774	FRAME,DEPTH ADJUSTMENT WELDMENT,16"D-20"D,VERSION 2,TRU-BALANCE 3	1
C2	SCRHHCS1412	SCREW, HEX HEAD, M8X1.25 X 16, ISO 4014, CL 10.9, BZ, PVTP	4
C3	SET123691	SEAT FRAME,SIDE RAIL,16"D-20"D,TRU-BALANCE 3	2
C4	WASMETR1010	WASHER,FLAT,BLACK ZINC,8.4MM ID X 16MM OD X 1.6MM THK,ISO 7089	4
D1	SET148104	SEAT PAN,16"W-20"W,16"D-20"D,TRU-BALANCE 3 REAC LIFT FRAME,PAIR	1
E1 - E4	SET148103	FRAME,ASSY,16"W-20"W,WIDTH ADJUSTMENT,TRU-BALANCE 3 REAC LIFT	1
E1	MEC144370	FRAME,WIDTH ADJUSTMENT WELDMENT,16"W-20"W,VERSION 2,TRU-BALANCE 3	4
E2	NUT8120005	NUT,T-SLOT,BLACK,M8-1.25	8
E3	SCRHHCS1412	SCREW, HEX HEAD, M8X1.25 X 16, ISO 4014, CL 10.9, BZ, PVTP	6
E4	SCRHHCS1727	SCREW,HHCS,BLACK ZINC,M8-1.25 X 20MM,GRADE 10.9,W/NYLON PATCH,C-1005-098	2

4Front

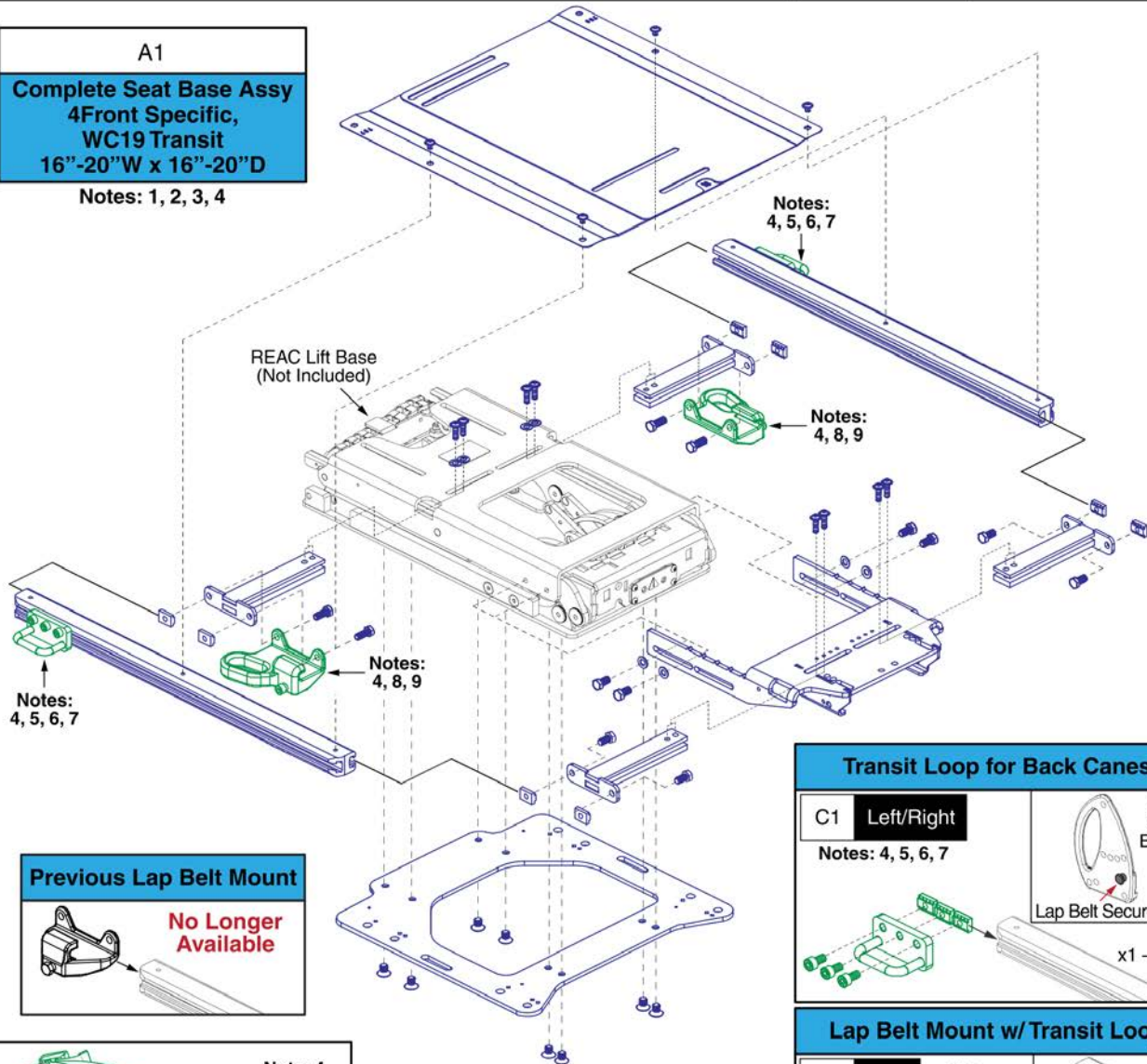


Item	Part No.	Name	Qty
A1 - E4	SET1703499	SEAT BASE,ASSY,16"W-20"W,20"D-24"D,TILT READY,REAC LIFT READY,TRU-BALANCE 3,Q4FRONT	1
A1	HDW145729	SCREW,SHFH,M8-1.25 X 12MM,ISO 10642,CLASS 10.9,ASTM F1941M 8E BLACK,PATCH IFI-524	8
B1	MEC1704783	SEAT INTERFACE PLATE: 20, 22	1
C1 - C4	SET148109	FRAME,ASSY,20"D-24"D,DEPTH ADJUSTMENT,TRU-BALANCE 3 REAC LIFT FRAME	1
C1	MEC145988	FRAME,DEPTH ADJUSTMENT WELDMENT,20"D-24"D,VERSION 2,TRU-BALANCE 3	1
C2	SCRHHCS1412	SCREW, HEX HEAD, M8X1.25 X 16, ISO 4014, CL 10.9, BZ, PVTP	4
C3	SET123692	SEAT FRAME,SIDE RAIL,20"D-24"D,TRU-BALANCE 3	2
C4	WASMETR1010	WASHER,FLAT,BLACK ZINC,8.4MM ID X 16MM OD X 1.6MM THK,ISO 7089	4
D1	SET148110	SEAT PAN,16"W-20"W,20"D-24"D,TB3 REAC LIFT FRAME,PAIR	1
E1 - E4	SET148103	FRAME,ASSY,16"W-20"W,WIDTH ADJUSTMENT,TRU-BALANCE 3 REAC LIFT	1
E1	MEC144370	FRAME,WIDTH ADJUSTMENT WELDMENT,16"W-20"W,VERSION 2,TRU-BALANCE 3	4
E2	NUT8120005	NUT,T-SLOT,BLACK,M8-1.25	8
E3	SCRHHCS1412	SCREW, HEX HEAD, M8X1.25 X 16, ISO 4014, CL 10.9, BZ, PVTP	6
E4	SCRHHCS1727	SCREW,HHCS,BLACK ZINC,M8-1.25 X 20MM,GRADE 10.9,W/NYLON PATCH,C-1005-098	2

4Front

- Notes:**
- Complete Seat Assembly**
1. The Complete Occupied Transit Seat Base (A1) should only be ordered through Technical Service.
 2. Individual components are not serviceable. The complete assembly must be selected.
 3. The REAC Lift Base is **NOT** included. See Lift Base page for selection.
 4. The Lap Belt (B1) and Transit Loops (C1 / D1) are **NOT** included and **MUST** be selected separately. See notes 5 through 9 for proper transit loop selection.
- Transit Loops / Lap Belt Mount**
5. The Transit Loop (C1) is only for use on units equipped with Back Canes.
 6. The Lap Belt will attach directly to the Back Cane Bracket. See the Back Cane Bracket page for selection.
 7. The left side mounting mirrors the right side. A quantity of 2 must be selected for the pair.
 8. The Lap Belt Mount with Transit Loop (D1) is only for use on units equipped with Static or Power Recline backs.
 9. Does not include the screws or t-nuts that mount the bracket to the side rail. The Complete Seat Assembly must be selected.

A1
Complete Seat Base Assy
 4Front Specific,
 WC19 Transit
 16"-20"W x 16"-20"D
 Notes: 1, 2, 3, 4



Previous Lap Belt Mount
 No Longer Available

Note: 4

B1
Transit System Lap Belt

Transit Loop for Back Canes

C1	Left/Right	Back Cane Bracket
Notes: 4, 5, 6, 7		Lap Belt Securement
		x1 -

Lap Belt Mount w/ Transit Loop

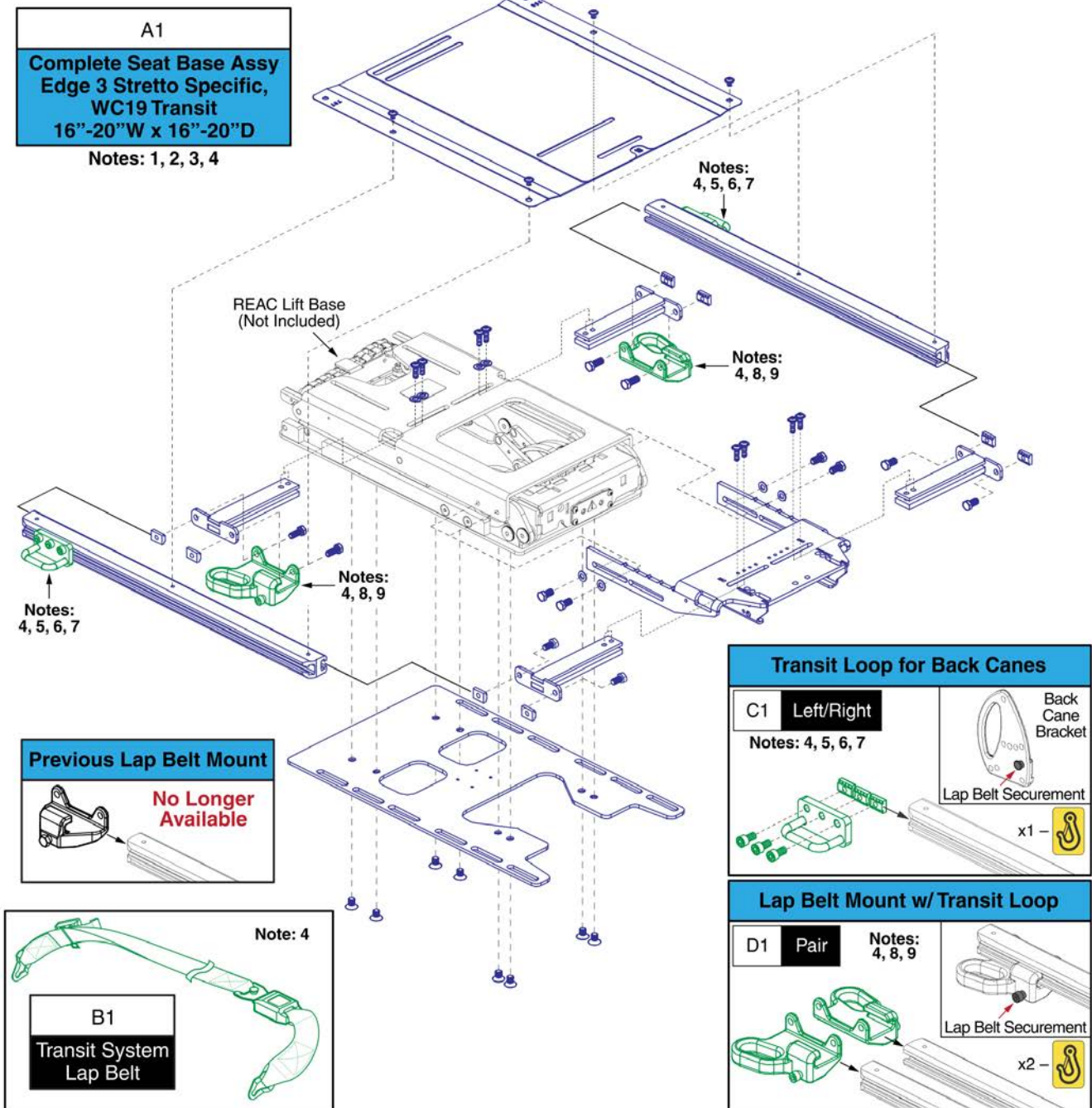
D1	Pair	Notes: 4, 8, 9
		Lap Belt Securement
		x2 -

Item	Part No.	Name	Qty
A1	SET1710204	SEAT BASE,ASSY,16"W-20"W,16"D-20"D,TILT READY,REAC LIFT READY,OCCUPIED TRANSIT,TRU-BALANCE 3,Q4FRONT	1
B1	ACCBELT1016	LAP BELT,60",NON-RETRACTABLE,(SURE-LOK: FE201070)	1
C1	MEC145375	MOUNTING BRACKET,ASSY,OCCUPIED TRANSIT SECUREMENT LOOP W/DECALS	1
D1	MEC1909905	LAP BELT MOUNT,ASSY,OCCUPIED TRANSIT SECUREMENT LOOP W/DECALS	1

Item	Part No.	Name	Qty
A1 - H1	SET1906754	SEAT BASE,ASSY,16"W-20"W,16"D-20"D,TILT READY,REAC LIFT READY,TRU-BALANCE 3,STRETTO	1
A1	HDW145729	SCREW,SHFH,M8-1.25 X 12MM,ISO 10642,CLASS 10.9,ASTM F1941M 8E BLACK,PATCH IFI-524	8
B1	MEC1711061	EDGE MINI INTERFACE PLATE	1
C1 - C4	SET148102	FRAME,ASSY,16"D-20"D,DEPTH ADJUSTMENT,TRU-BALANCE 3 REAC LIFT FRAME	1
C1	MEC144774	FRAME,DEPTH ADJUSTMENT WELDMENT,16"D-20"D,VERSION 2,TRU-BALANCE 3	1
C2	SCRHHCS1412	SCREW, HEX HEAD, M8X1.25 X 16, ISO 4014, CL 10.9, BZ, PVTP	4
C3	SET123691	SEAT FRAME,SIDE RAIL,16"D-20"D,TRU-BALANCE 3	2
C4	WASMETR1010	WASHER,FLAT,BLACK ZINC,8.4MM ID X 16MM OD X 1.6MM THK,ISO 7089	4
D1	SET148104	SEAT PAN,16"W-20"W,16"D-20"D,TRU-BALANCE 3 REAC LIFT FRAME,PAIR	1
E1 - E4	SET148103	FRAME,ASSY,16"W-20"W,WIDTH ADJUSTMENT,TRU-BALANCE 3 REAC LIFT	1
E1	MEC144370	FRAME,WIDTH ADJUSTMENT WELDMENT,16"W-20"W,VERSION 2,TRU-BALANCE 3	4
E2	NUT8120005	NUT,T-SLOT,BLACK,M8-1.25	8
E3	SCRHHCS1412	SCREW, HEX HEAD, M8X1.25 X 16, ISO 4014, CL 10.9, BZ, PVTP	6
E4	SCRHHCS1727	SCREW,HHCS,BLACK ZINC,M8-1.25 X 20MM,GRADE 10.9,W/NYLON PATCH,C-1005-098	2
F1	HDW147703	SCREW, FLANGED BUTTON HEAD, M6X1.0 X 20, ISO 7380-2, CL 10.9, BZ, PVTP	8
G1	WASSTND1097	WASHER, FLAT, 6.4 ID X 12 OD X 1.6 THK, ISO 7089-6-200 HV, BZ	4
H1	HDW121242	SCREW, BUTTON HEAD, FLANGED, M6X1.0 X 8, ISO 7380-2, CL 10.9, BZ, PVTP	4

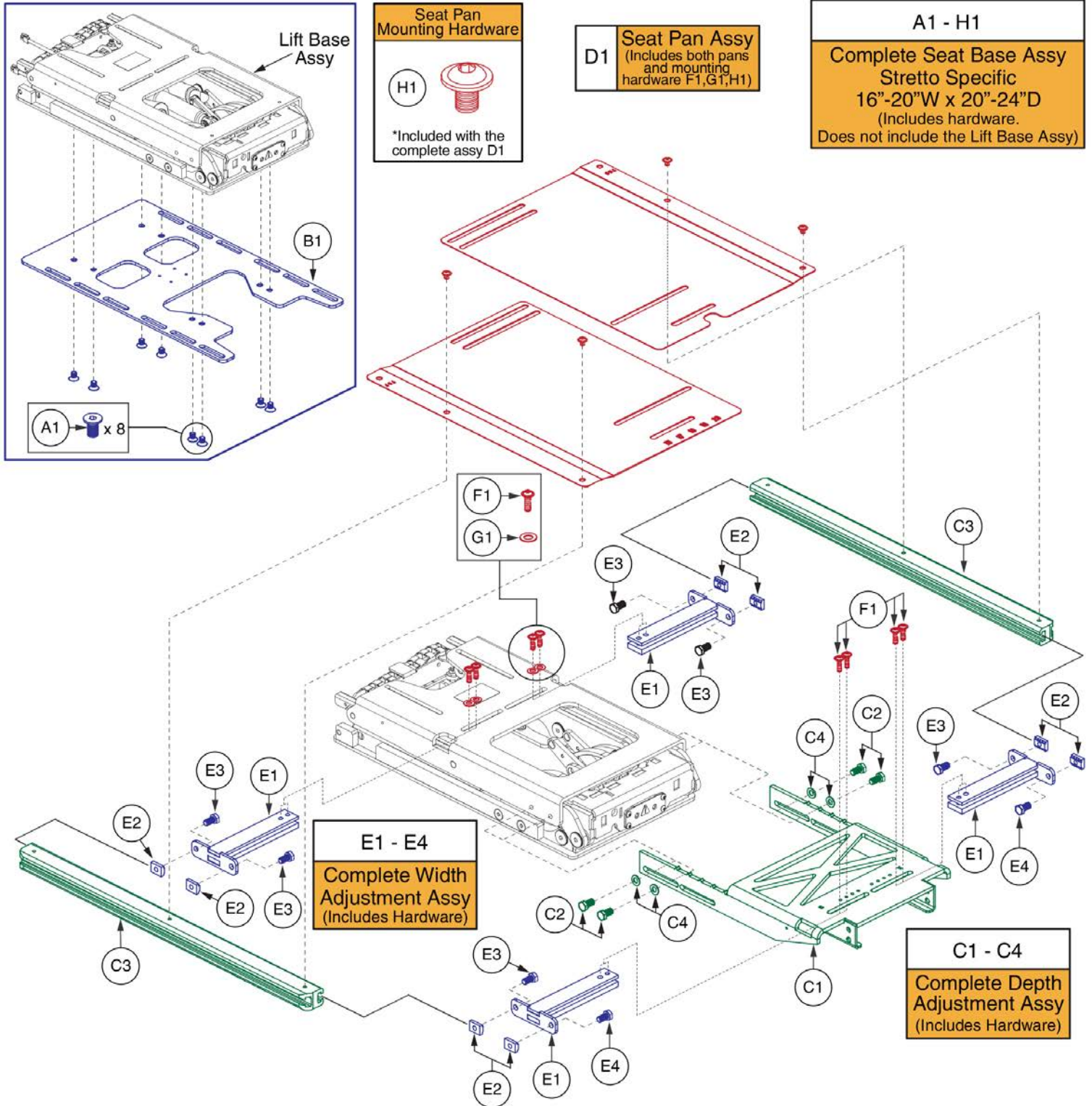
Q6 Edge 3 Stretto

- | Notes: |
|------------------------------------------------------------------------------------------------------------------------------------------------------------------------------------------------------------------------------------------------------------------------------------------------------------------------------------------------------------------------------------------------------------------------------------------------------------------------------------------------------------------------------------------------------------------------------------------------------------------------------------------------------------------------------------------------------------|
| <p style="text-align: center;">Complete Seat Assembly</p> <ol style="list-style-type: none"> 1. The Complete Occupied Transit Seat Base (A1) should only be ordered through Technical Service. 2. Individual components are not serviceable. The complete assembly must be selected. 3. The REAC Lift Base is NOT included. See Lift Base page for selection. 4. The Lap Belt (B1) and Transit Loops (C1 / D1) are NOT included and MUST be selected separately. See notes 5 through 9 for proper transit loop selection. |
| <p style="text-align: center;">Transit Loops / Lap Belt Mount</p> <ol style="list-style-type: none"> 5. The Transit Loop (C1) is only for use on units equipped with Back Canes. 6. The lap belt will attach directly to the back cane bracket. See the back cane bracket page for selection. 7. The left side mounting mirrors the right side. A quantity of 2 must be selected for the pair. 8. The Lap Belt Mount with Transit Loop (D1) is only for use on units equipped with Static or Power Recline backs. 9. Does not include the screws or t-nuts that mount the bracket to the side rail. The complete seat assembly must be selected. |



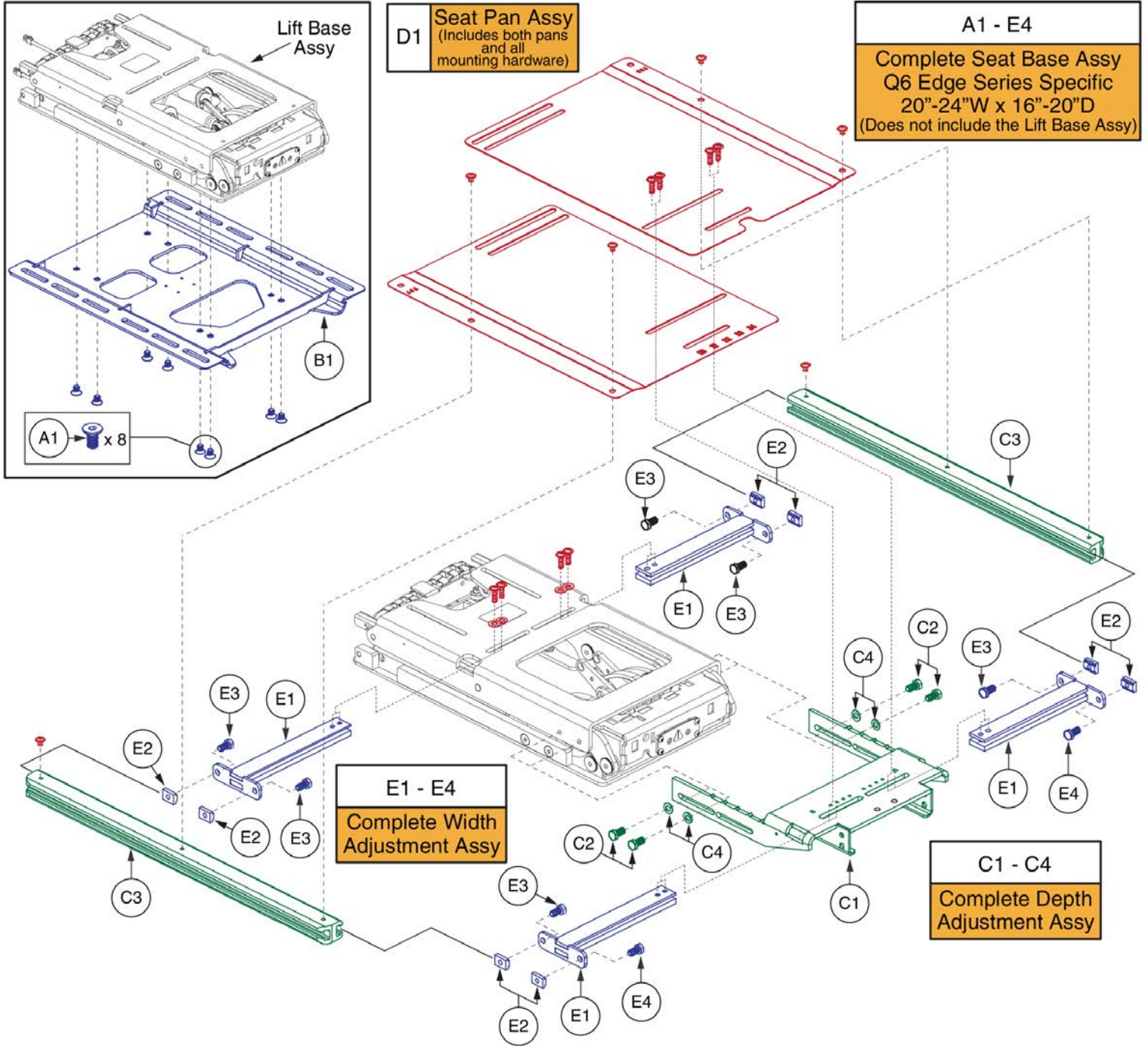
Item	Part No.	Name	Qty
A1	SET1906950	SEAT BASE,ASSY,16"W-20"W,16"D-20"D,TILT READY,REAC LIFT READY,OCCUPIED TRANSIT,TRU-BALANCE 3,STRETTO	1
B1	ACCBELT1016	LAP BELT,60",NON-RETRACTABLE,(SURE-LOK: FE201070)	1
C1	MEC145375	MOUNTING BRACKET,ASSY,OCCUPIED TRANSIT SECUREMENT LOOP W/DECALS	1
D1	MEC1909905	LAP BELT MOUNT,ASSY,OCCUPIED TRANSIT SECUREMENT LOOP W/DECALS	1

Q6 Edge 3 Stretto



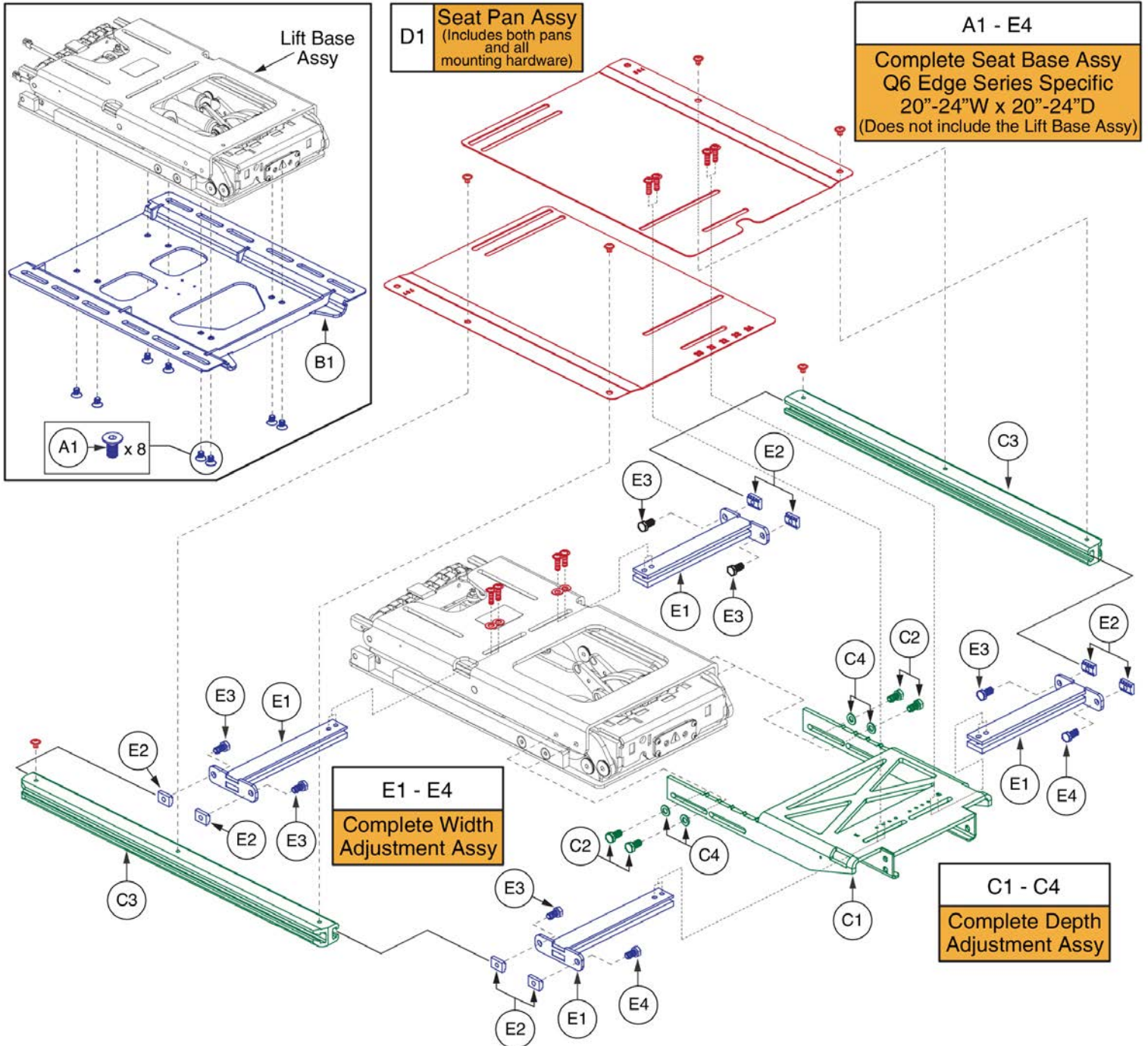
Item	Part No.	Name	Qty
A1 - H1	SET1906755	SEAT BASE,ASSY,16"W-20"W,20"D-24"D,TILT READY,REAC LIFT READY,TRU-BALANCE 3,STRETTO	1
A1	HDW145729	SCREW,SHFH,M8-1.25 X 12MM,ISO 10642,CLASS 10.9,ASTM F1941M 8E BLACK,PATCH IFI-524	8
B1	MEC1711061	EDGE MINI INTERFACE PLATE	1
C1 - C4	SET148109	FRAME,ASSY,20"D-24"D,DEPTH ADJUSTMENT,TRU-BALANCE 3 REAC LIFT FRAME	1
C1	MEC145988	FRAME,DEPTH ADJUSTMENT WELDMENT,20"D-24"D,VERSION 2,TRU-BALANCE 3	1
C2	SCRHHCS1412	SCREW, HEX HEAD, M8X1.25 X 16, ISO 4014, CL 10.9, BZ, PVTP	4
C3	SET123692	SEAT FRAME,SIDE RAIL,20"D-24"D,TRU-BALANCE 3	2
C4	WASMETR1010	WASHER,FLAT,BLACK ZINC,8.4MM ID X 16MM OD X 1.6MM THK,ISO 7089	4
D1	SET148110	SEAT PAN,16"W-20"W,20"D-24"D,TB3 REAC LIFT FRAME,PAIR	1
E1 - E4	SET148103	FRAME,ASSY,16"W-20"W,WIDTH ADJUSTMENT,TRU-BALANCE 3 REAC LIFT	1
E1	MEC144370	FRAME,WIDTH ADJUSTMENT WELDMENT,16"W-20"W,VERSION 2,TRU-BALANCE 3	2
E2	NUT8120005	NUT,T-SLOT,BLACK,M8-1.25	8
E3	SCRHHCS1412	SCREW, HEX HEAD, M8X1.25 X 16, ISO 4014, CL 10.9, BZ, PVTP	6
E4	SCRHHCS1727	SCREW,HHCS,BLACK ZINC,M8-1.25 X 20MM,GRADE 10.9,W/NYLON PATCH,C-1005-098	2
F1	HDW147703	SCREW, FLANGED BUTTON HEAD, M6X1.0 X 20, ISO 7380-2, CL 10.9, BZ, PVTP	8
G1	WASSTND1097	WASHER, FLAT, 6.4 ID X 12 OD X 1.6 THK, ISO 7089-6-200 HV, BZ	4
H1	HDW121242	SCREW, BUTTON HEAD, FLANGED, M6X1.0 X 8, ISO 7380-2, CL 10.9, BZ, PVTP	4

Q6 Edge Series



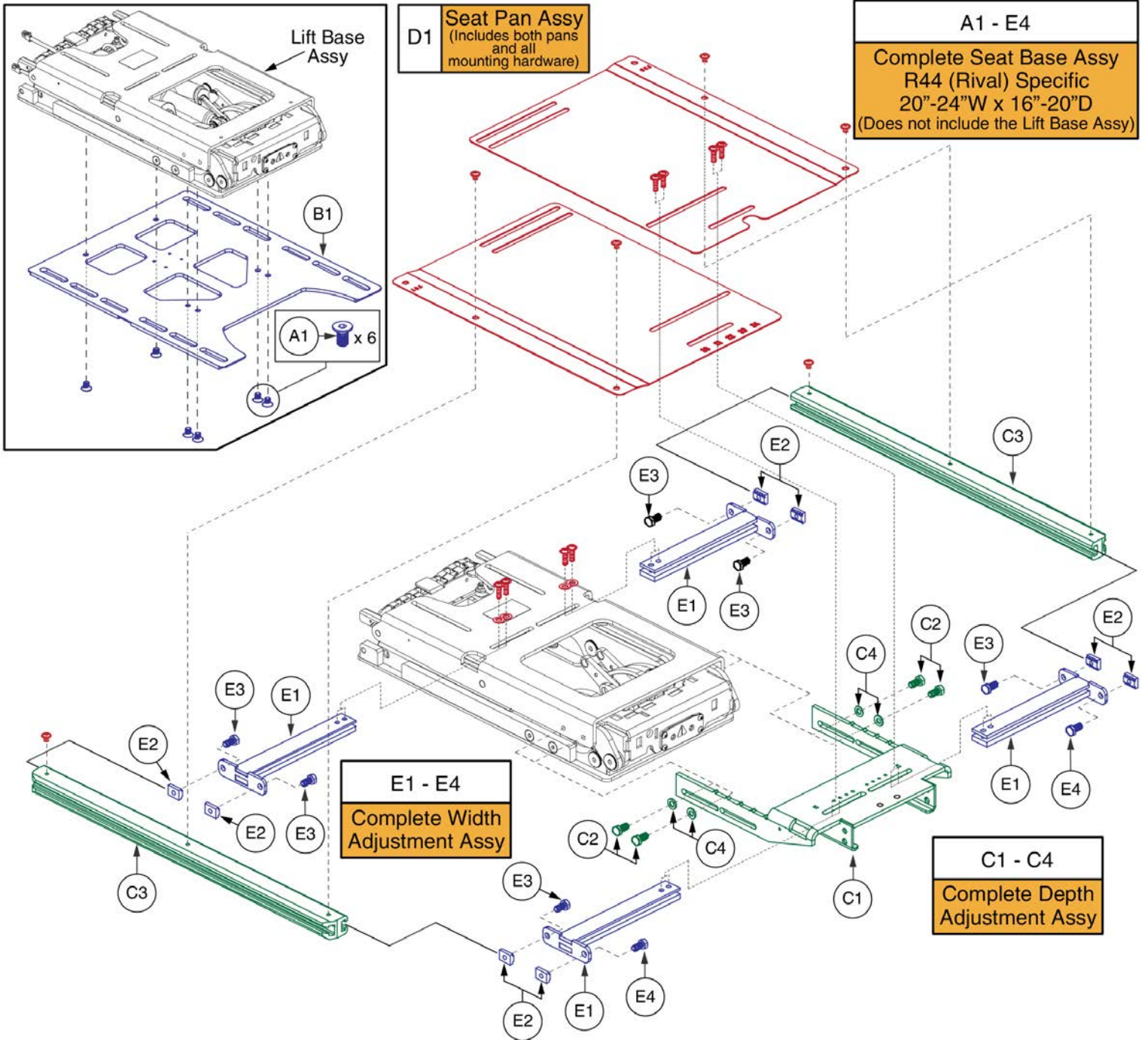
Item	Part No.	Name	Qty
A1 - E4	SET148111	SEAT BASE,ASSY,20"W-24"W,16"D-20"D,TILT READY,REAC LIFT READY,TRU-BALANCE 3	1
A1	HDW145729	SCREW,SHFH,M8-1.25 X 12MM,ISO 10642,CLASS 10.9,ASTM F1941M 8E BLACK,PATCH IFI-524	8
B1	MEC148448	INTERFACE PLATE TO BASE,VERSION 2,TRU-BALANCE 3 REAC LIFT & TILT	1
C1 - C4	SET148102	FRAME,ASSY,16"D-20"D,DEPTH ADJUSTMENT,TRU-BALANCE 3 REAC LIFT FRAME	1
C1	MEC144774	FRAME,DEPTH ADJUSTMENT WELDMENT,16"D-20"D,VERSION 2,TRU-BALANCE 3	1
C2	SCRHHCS1412	SCREW, HEX HEAD, M8X1.25 X 16, ISO 4014, CL 10.9, BZ, PVTP	4
C3	SET123691	SEAT FRAME,SIDE RAIL,16"D-20"D,TRU-BALANCE 3	2
C4	WASMETR1010	WASHER,FLAT,BLACK ZINC,8.4MM ID X 16MM OD X 1.6MM THK,ISO 7089	4
D1	SET148112	SEAT PAN,20"W-24"W,16"D-20"D,TB3 REAC LIFT FRAME,PAIR	1
E1 - E4	SET148113	FRAME,ASSY,20"W-24"W,WIDTH ADJUSTMENT,TRU-BALANCE 3 REAC LIFT FRAME	1
E1	MEC145989	FRAME,WIDTH ADJUSTMENT WELDMENT,20"W-24"W,VERSION 2,TRU-BALANCE 3	4
E2	NUT8120005	NUT,T-SLOT,BLACK,M8-1.25	8
E3	SCRHHCS1412	SCREW, HEX HEAD, M8X1.25 X 16, ISO 4014, CL 10.9, BZ, PVTP	6
E4	SCRHHCS1727	SCREW,HHCS,BLACK ZINC,M8-1.25 X 20MM,GRADE 10.9,W/NYLON PATCH,C-1005-098	2

Q6 Edge Series



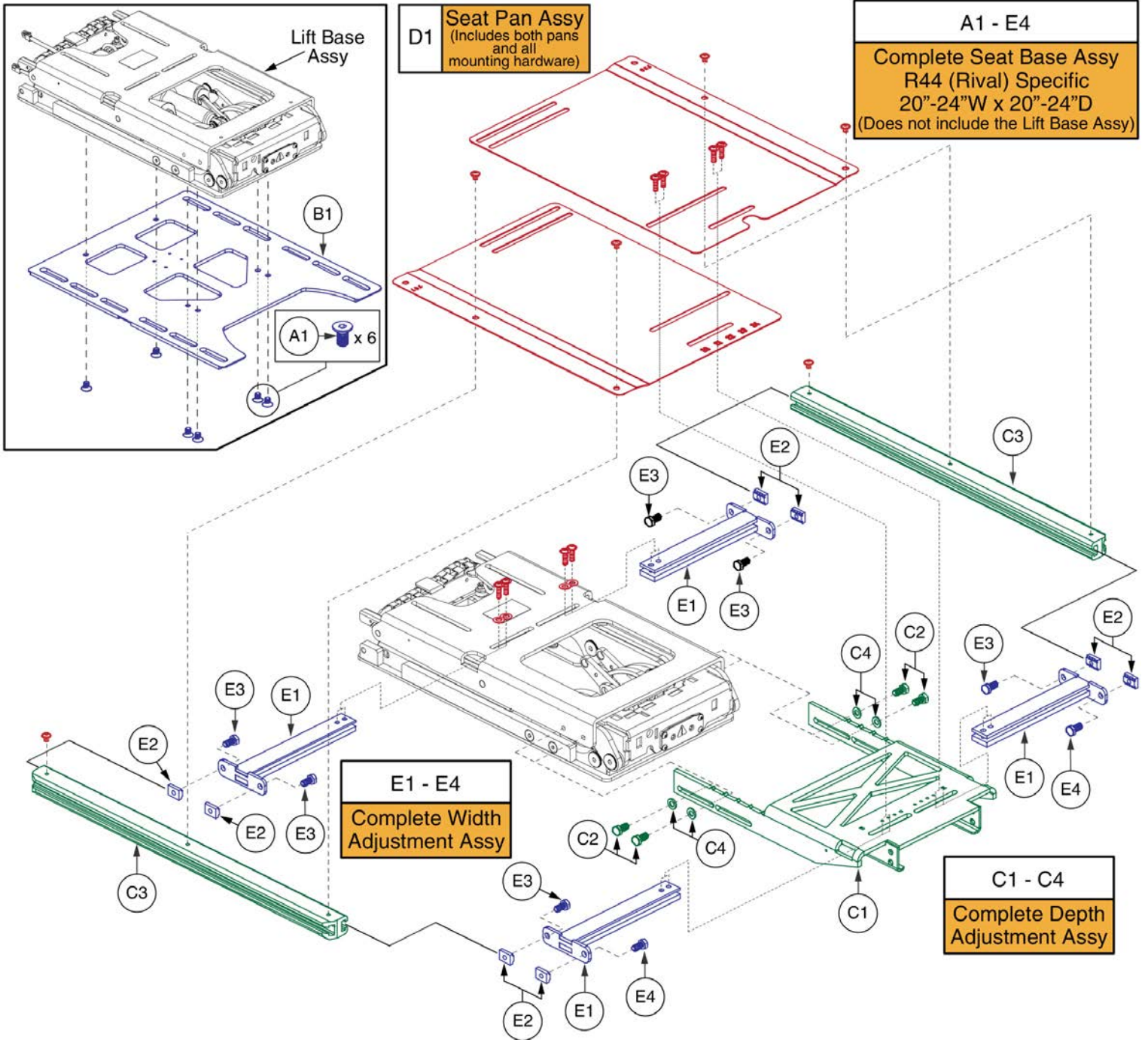
Item	Part No.	Name	Qty
A1 - E4	SET148114	SEAT BASE,ASSY,20"W-24"W,20"D-24"D,TILT READY,REAC LIFT READY,TRU-BALANCE 3	1
A1	HDW145729	SCREW,SHFH,M8-1.25 X 12MM,ISO 10642,CLASS 10.9,ASTM F1941M 8E BLACK,PATCH IFI-524	8
B1	MEC148448	INTERFACE PLATE TO BASE,VERSION 2,TRU-BALANCE 3 REAC LIFT & TILT	1
C1 - C4	SET148109	FRAME,ASSY,20"D-24"D,DEPTH ADJUSTMENT,TRU-BALANCE 3 REAC LIFT FRAME	1
C1	MEC145988	FRAME,DEPTH ADJUSTMENT WELDMENT,20"D-24"D,VERSION 2,TRU-BALANCE 3	1
C2	SCRHHCS1412	SCREW, HEX HEAD, M8X1.25 X 16, ISO 4014, CL 10.9, BZ, PVTP	4
C3	SET123692	SEAT FRAME,SIDE RAIL,20"D-24"D,TRU-BALANCE 3	2
C4	WASMETR1010	WASHER,FLAT,BLACK ZINC,8.4MM ID X 16MM OD X 1.6MM THK,ISO 7089	4
D1	SET148115	SEAT PAN,20"W-24"W,20"D-24"D,TRU-BALANCE 3 REAC LIFT FRAME,PAIR	1
E1 - E4	SET148113	FRAME,ASSY,20"W-24"W,WIDTH ADJUSTMENT,TRU-BALANCE 3 REAC LIFT FRAME	1
E1	MEC145989	FRAME,WIDTH ADJUSTMENT WELDMENT,20"W-24"W,VERSION 2,TRU-BALANCE 3	4
E2	NUT8120005	NUT,T-SLOT,BLACK,M8-1.25	8
E3	SCRHHCS1412	SCREW, HEX HEAD, M8X1.25 X 16, ISO 4014, CL 10.9, BZ, PVTP	6
E4	SCRHHCS1727	SCREW,HHCS,BLACK ZINC,M8-1.25 X 20MM,GRADE 10.9,W/NYLON PATCH,C-1005-098	2

R44 (Rival)



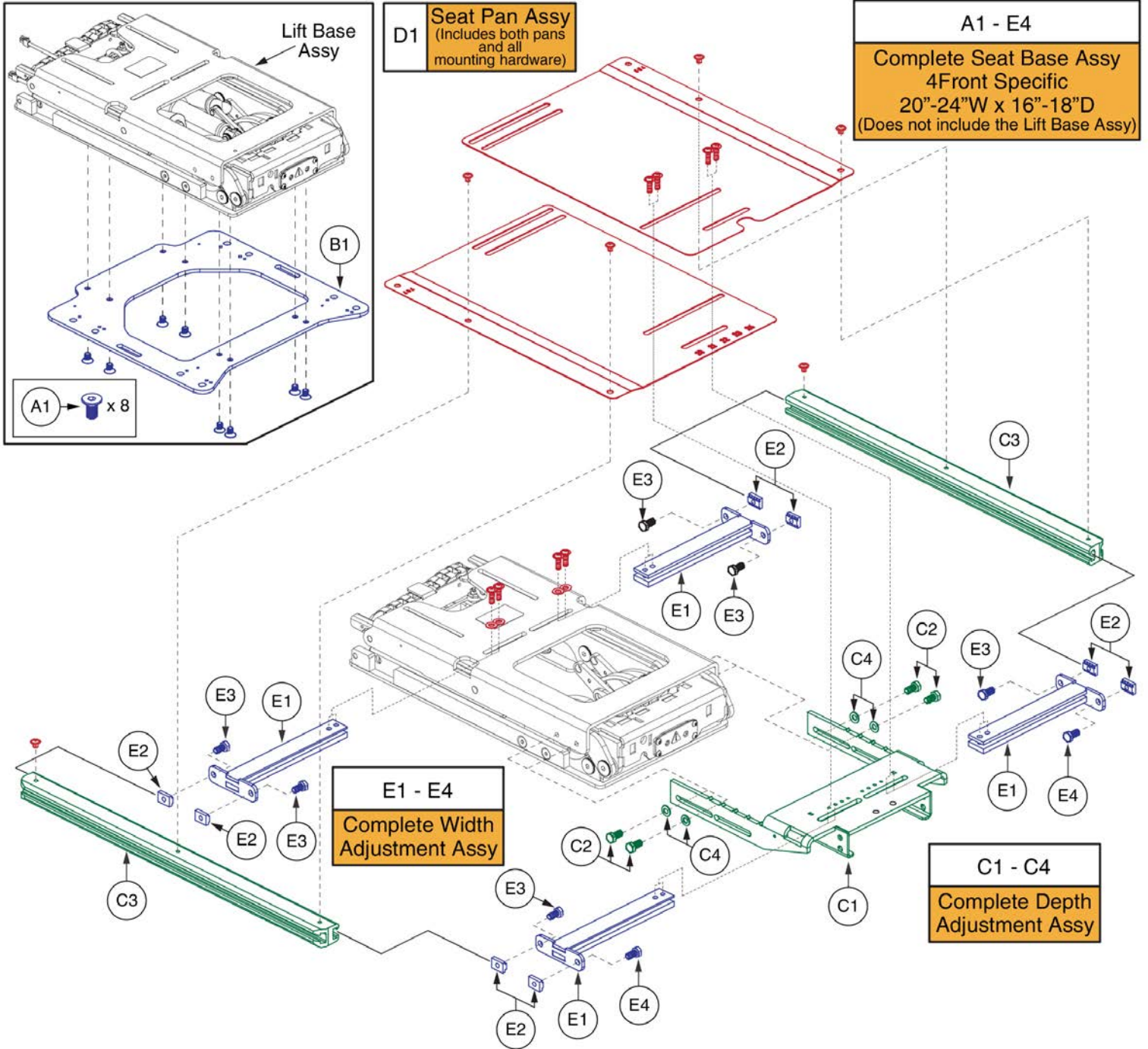
Item	Part No.	Name	Qty
A1 - E4	SET1806346	SEAT BASE,ASSY,20"W-24"W,16"D-20"D,TILT READY,REAC LIFT READY,TRU-BALANCE 3,R44	1
A1	HDW145729	SCREW,SHFH,M8-1.25 X 12MM,ISO 10642,CLASS 10.9,ASTM F1941M 8E BLACK,PATCH IFI-524	6
B1	MEC150401	INTERFACE PLATE II TO BASE, LIFT & TILT,TRU-BALANCE 3,(REAC)	1
C1 - C4	SET148102	FRAME,ASSY,16"D-20"D,DEPTH ADJUSTMENT,TRU-BALANCE 3 REAC LIFT FRAME	1
C1	MEC144774	FRAME,DEPTH ADJUSTMENT WELDMENT,16"D-20"D,VERSION 2,TRU-BALANCE 3	1
C2	SCRHHCS1412	SCREW, HEX HEAD, M8X1.25 X 16, ISO 4014, CL 10.9, BZ, PVTP	4
C3	SET123691	SEAT FRAME,SIDE RAIL,16"D-20"D,TRU-BALANCE 3	2
C4	WASMETR1010	WASHER,FLAT,BLACK ZINC,8.4MM ID X 16MM OD X 1.6MM THK,ISO 7089	4
D1	SET148112	SEAT PAN,20"W-24"W,16"D-20"D,TB3 REAC LIFT FRAME,PAIR	1
E1 - E4	SET148113	FRAME,ASSY,20"W-24"W,WIDTH ADJUSTMENT,TRU-BALANCE 3 REAC LIFT FRAME	1
E1	MEC145989	FRAME,WIDTH ADJUSTMENT WELDMENT,20"W-24"W,VERSION 2,TRU-BALANCE 3	4
E2	NUT8120005	NUT,T-SLOT,BLACK,M8-1.25	8
E3	SCRHHCS1412	SCREW, HEX HEAD, M8X1.25 X 16, ISO 4014, CL 10.9, BZ, PVTP	6
E4	SCRHHCS1727	SCREW,HHCS,BLACK ZINC,M8-1.25 X 20MM,GRADE 10.9,W/NYLON PATCH,C-1005-098	2

R44 (Rival)



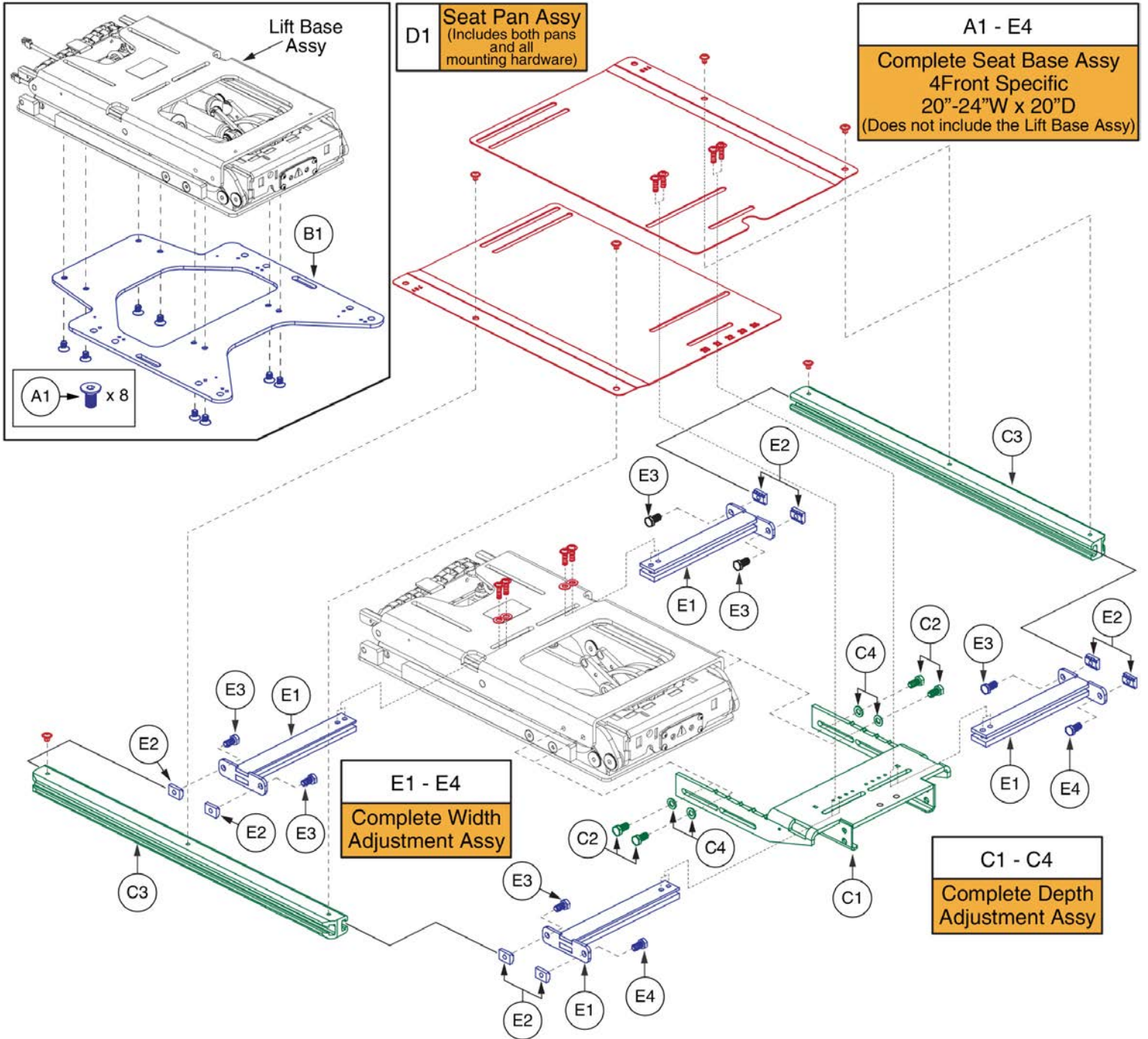
Item	Part No.	Name	Qty
A1 - E4	SET1806347	SEAT BASE,ASSY,20"W-24"W,20"D-24"D,TILT READY,REAC LIFT READY,TRU-BALANCE 3,R44	1
A1	HDW145729	SCREW,SHFH,M8-1.25 X 12MM,ISO 10642,CLASS 10.9,ASTM F1941M 8E BLACK,PATCH IFI-524	6
B1	MEC150401	INTERFACE PLATE II TO BASE, LIFT & TILT,TRU-BALANCE 3,(REAC)	1
C1 - C4	SET148109	FRAME,ASSY,20"D-24"D,DEPTH ADJUSTMENT,TRU-BALANCE 3 REAC LIFT FRAME	1
C1	MEC145988	FRAME,DEPTH ADJUSTMENT WELDMENT,20"D-24"D,VERSION 2,TRU-BALANCE 3	1
C2	SCRHHCS1412	SCREW, HEX HEAD, M8X1.25 X 16, ISO 4014, CL 10.9, BZ, PVTP	4
C3	SET123692	SEAT FRAME,SIDE RAIL,20"D-24"D,TRU-BALANCE 3	2
C4	WASMETR1010	WASHER,FLAT,BLACK ZINC,8.4MM ID X 16MM OD X 1.6MM THK,ISO 7089	4
D1	SET148115	SEAT PAN,20"W-24"W,20"D-24"D,TRU-BALANCE 3 REAC LIFT FRAME,PAIR	1
E1 - E4	SET148113	FRAME,ASSY,20"W-24"W,WIDTH ADJUSTMENT,TRU-BALANCE 3 REAC LIFT FRAME	1
E1	MEC145989	FRAME,WIDTH ADJUSTMENT WELDMENT,20"W-24"W,VERSION 2,TRU-BALANCE 3	4
E2	NUT8120005	NUT,T-SLOT,BLACK,M8-1.25	8
E3	SCRHHCS1412	SCREW, HEX HEAD, M8X1.25 X 16, ISO 4014, CL 10.9, BZ, PVTP	6
E4	SCRHHCS1727	SCREW,HHCS,BLACK ZINC,M8-1.25 X 20MM,GRADE 10.9,W/NYLON PATCH,C-1005-098	2

4Front



Item	Part No.	Name	Qty
A1 - E4	SET1703500	SEAT BASE,ASSY,20"W-24"W,16"D-20"D,TILT READY,REAC LIFT READY,TRU-BALANCE 3,Q4FRONT	1
A1	HDW145729	SCREW,SHFH,M8-1.25 X 12MM,ISO 10642,CLASS 10.9,ASTM F1941M 8E BLACK,PATCH IFI-524	8
B1	MEC1612385	SEAT INTERFACE PLATE: 14, 16, 18	1
C1 - C4	SET148102	FRAME,ASSY,16"D-20"D,DEPTH ADJUSTMENT,TRU-BALANCE 3 REAC LIFT FRAME	1
C1	MEC144774	FRAME,DEPTH ADJUSTMENT WELDMENT,16"D-20"D,VERSION 2,TRU-BALANCE 3	1
C2	SCRHHCS1412	SCREW, HEX HEAD, M8X1.25 X 16, ISO 4014, CL 10.9, BZ, PVTP	4
C3	SET123691	SEAT FRAME,SIDE RAIL,16"D-20"D,TRU-BALANCE 3	2
C4	WASMETR1010	WASHER,FLAT,BLACK ZINC,8.4MM ID X 16MM OD X 1.6MM THK,ISO 7089	4
D1	SET148112	SEAT PAN,20"W-24"W,16"D-20"D,TB3 REAC LIFT FRAME,PAIR	1
E1 - E4	SET148113	FRAME,ASSY,20"W-24"W,WIDTH ADJUSTMENT,TRU-BALANCE 3 REAC LIFT FRAME	1
E1	MEC145989	FRAME,WIDTH ADJUSTMENT WELDMENT,20"W-24"W,VERSION 2,TRU-BALANCE 3	4
E2	NUT8120005	NUT,T-SLOT,BLACK,M8-1.25	8
E3	SCRHHCS1412	SCREW, HEX HEAD, M8X1.25 X 16, ISO 4014, CL 10.9, BZ, PVTP	6
E4	SCRHHCS1727	SCREW,HHCS,BLACK ZINC,M8-1.25 X 20MM,GRADE 10.9,W/NYLON PATCH,C-1005-098	2

4Front

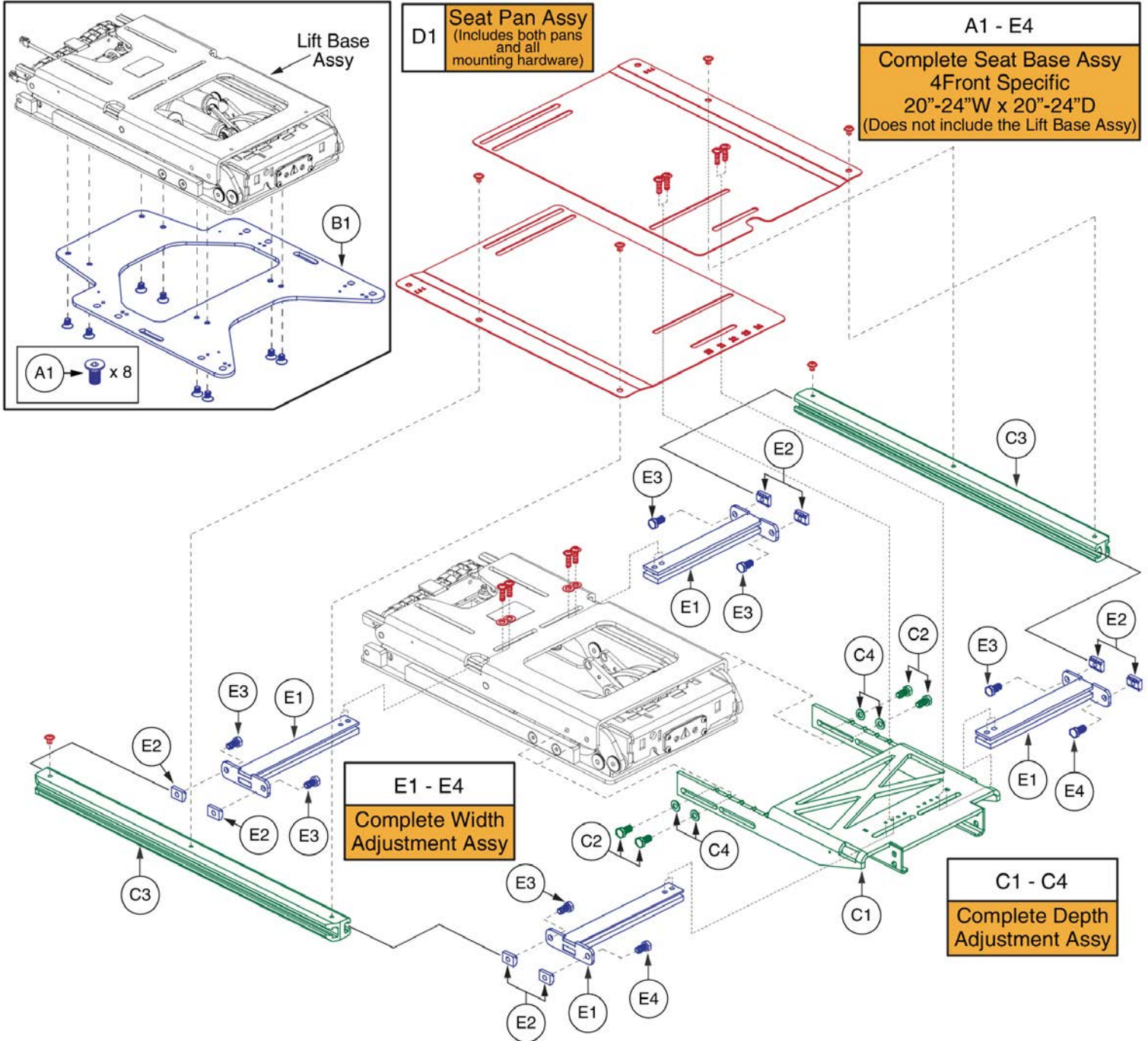


20-24"W x 20"D REAC L&T Seat Base, 4Front



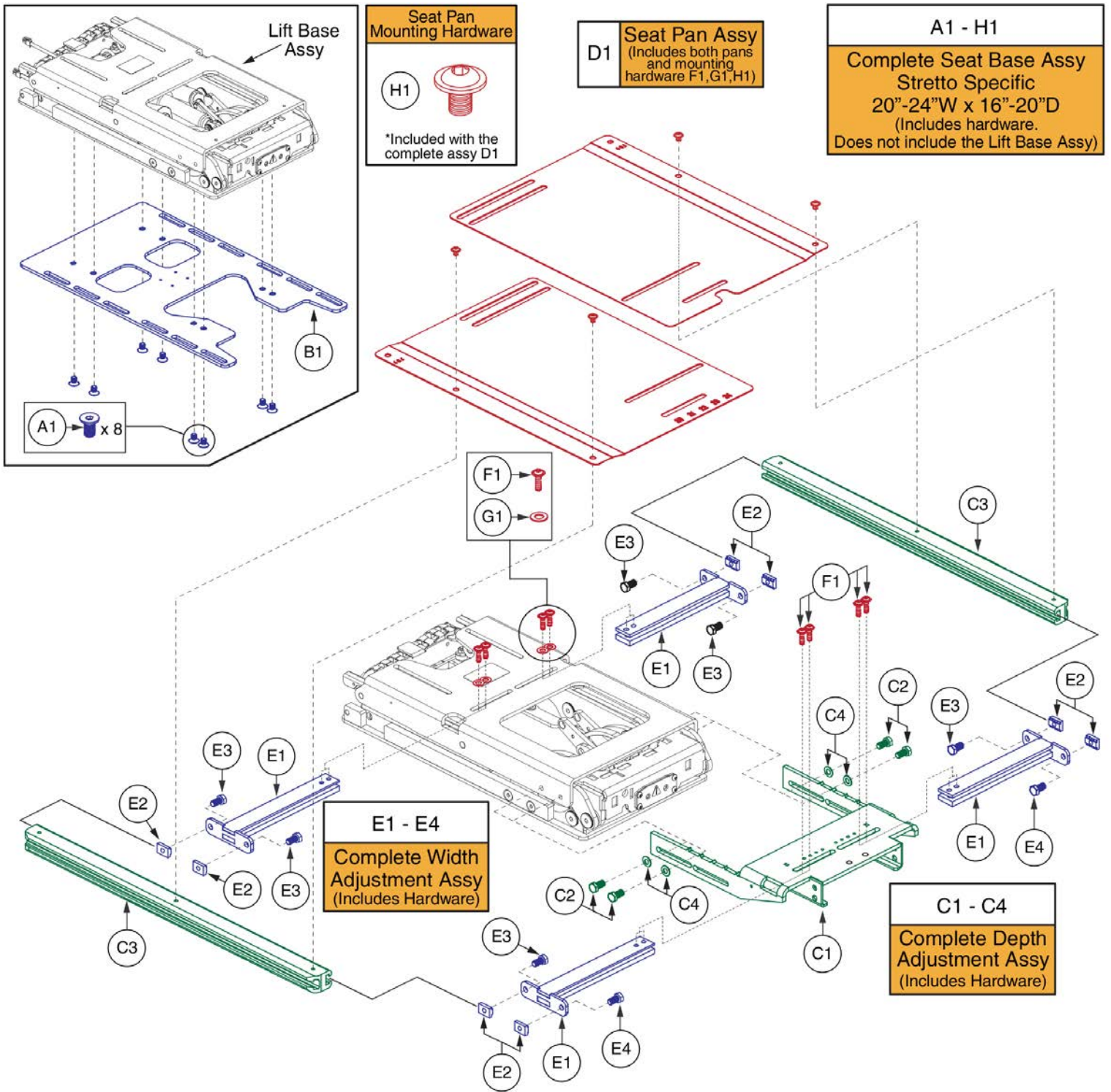
Item	Part No.	Name	Qty
A1 - E4	SET1705236	SEAT BASE,ASSY,20"W-24"W,16"D-20"D,TILT READY,REAC LIFT READY,20"D,TRU-BALANCE 3,Q4FRONT	1
A1	HDW145729	SCREW,SHFH,M8-1.25 X 12MM,ISO 10642,CLASS 10.9,ASTM F1941M 8E BLACK,PATCH IFI-524	8
B1	MEC1704783	SEAT INTERFACE PLATE: 20, 22	1
C1 - C4	SET148102	FRAME,ASSY,16"D-20"D,DEPTH ADJUSTMENT,TRU-BALANCE 3 REAC LIFT FRAME	1
C1	MEC144774	FRAME,DEPTH ADJUSTMENT WELDMENT,16"D-20"D,VERSION 2,TRU-BALANCE 3	1
C2	SCRHHCS1412	SCREW, HEX HEAD, M8X1.25 X 16, ISO 4014, CL 10.9, BZ, PVTP	4
C3	SET123691	SEAT FRAME,SIDE RAIL,16"D-20"D,TRU-BALANCE 3	2
C4	WASMETR1010	WASHER,FLAT,BLACK ZINC,8.4MM ID X 16MM OD X 1.6MM THK,ISO 7089	4
D1	SET148112	SEAT PAN,20"W-24"W,16"D-20"D,TB3 REAC LIFT FRAME,PAIR	1
E1 - E4	SET148113	FRAME,ASSY,20"W-24"W,WIDTH ADJUSTMENT,TRU-BALANCE 3 REAC LIFT FRAME	1
E1	MEC145989	FRAME,WIDTH ADJUSTMENT WELDMENT,20"W-24"W,VERSION 2,TRU-BALANCE 3	4
E2	NUT8120005	NUT,T-SLOT,BLACK,M8-1.25	8
E3	SCRHHCS1412	SCREW, HEX HEAD, M8X1.25 X 16, ISO 4014, CL 10.9, BZ, PVTP	6
E4	SCRHHCS1727	SCREW,HHCS,BLACK ZINC,M8-1.25 X 20MM,GRADE 10.9,W/NYLON PATCH,C-1005-098	2

4Front



Item	Part No.	Name	Qty
A1 - E4	SET1703501	SEAT BASE,ASSY,20"W-24"W,20"D-24"D,TILT READY,REAC LIFT READY,TRU-BALANCE 3,Q4FRONT	1
A1	HDW145729	SCREW,SHFH,M8-1.25 X 12MM,ISO 10642,CLASS 10.9,ASTM F1941M 8E BLACK,PATCH IFI-524	8
B1	MEC1704783	SEAT INTERFACE PLATE: 20, 22	1
C1 - C4	SET148109	FRAME,ASSY,20"D-24"D,DEPTH ADJUSTMENT,TRU-BALANCE 3 REAC LIFT FRAME	1
C1	MEC145988	FRAME,DEPTH ADJUSTMENT WELDMENT,20"D-24"D,VERSION 2,TRU-BALANCE 3	1
C2	SCRHHCS1412	SCREW, HEX HEAD, M8X1.25 X 16, ISO 4014, CL 10.9, BZ, PVTP	4
C3	SET123692	SEAT FRAME,SIDE RAIL,20"D-24"D,TRU-BALANCE 3	2
C4	WASMETR1010	WASHER,FLAT,BLACK ZINC,8.4MM ID X 16MM OD X 1.6MM THK,ISO 7089	4
D1	SET148115	SEAT PAN,20"W-24"W,20"D-24"D,TRU-BALANCE 3 REAC LIFT FRAME,PAIR	1
E1 - E4	SET148113	FRAME,ASSY,20"W-24"W,WIDTH ADJUSTMENT,TRU-BALANCE 3 REAC LIFT FRAME	1
E1	MEC145989	FRAME,WIDTH ADJUSTMENT WELDMENT,20"W-24"W,VERSION 2,TRU-BALANCE 3	4
E2	NUT8120005	NUT,T-SLOT,BLACK,M8-1.25	8
E3	SCRHHCS1412	SCREW, HEX HEAD, M8X1.25 X 16, ISO 4014, CL 10.9, BZ, PVTP	6
E4	SCRHHCS1727	SCREW,HHCS,BLACK ZINC,M8-1.25 X 20MM,GRADE 10.9,W/NYLON PATCH,C-1005-098	2

Q6 Edge 3 Stretto

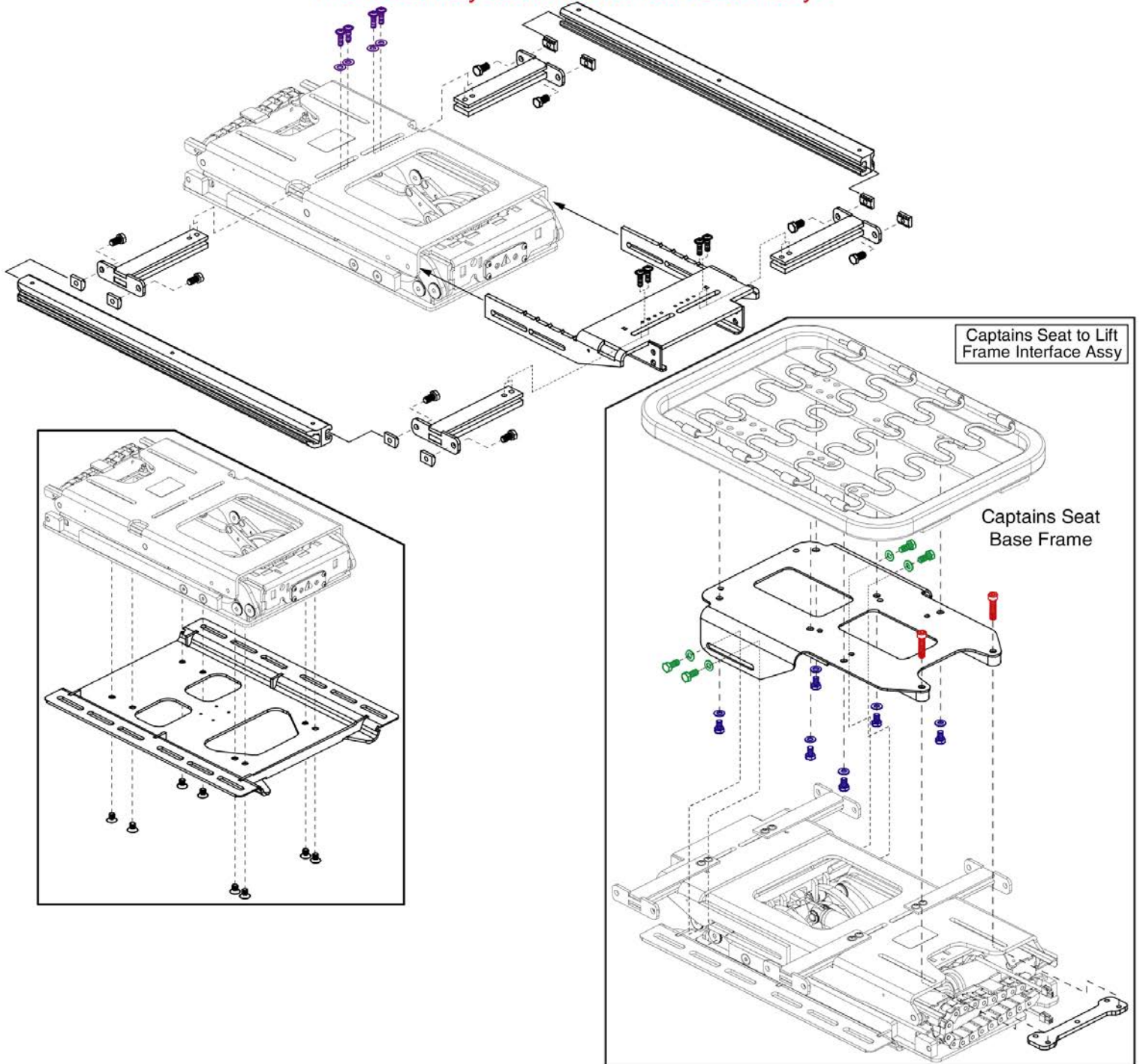


Item	Part No.	Name	Qty
A1 - H1	SET1906757	SEAT BASE,ASSY,20"W-24"W,16"D-20"D,TILT READY,REAC LIFT READY,TRU-BALANCE 3,STRETTO	1
A1	HDW145729	SCREW,SHFH,M8-1.25 X 12MM,ISO 10642,CLASS 10.9,ASTM F1941M 8E BLACK,PATCH IFI-524	8
B1	MEC1711061	EDGE MINI INTERFACE PLATE	1
C1 - C4	SET148102	FRAME,ASSY,16"D-20"D,DEPTH ADJUSTMENT,TRU-BALANCE 3 REAC LIFT FRAME	1
C1	MEC144774	FRAME,DEPTH ADJUSTMENT WELDMENT,16"D-20"D,VERSION 2,TRU-BALANCE 3	1
C2	SCRHHCS1412	SCREW, HEX HEAD, M8X1.25 X 16, ISO 4014, CL 10.9, BZ, PVTP	4
C3	SET123691	SEAT FRAME,SIDE RAIL,16"D-20"D,TRU-BALANCE 3	2
C4	WASMETR1010	WASHER,FLAT,BLACK ZINC,8.4MM ID X 16MM OD X 1.6MM THK,ISO 7089	4
D1	SET148112	SEAT PAN,20"W-24"W,16"D-20"D,TB3 REAC LIFT FRAME,PAIR	1
E1 - E4	SET148113	FRAME,ASSY,20"W-24"W,WIDTH ADJUSTMENT,TRU-BALANCE 3 REAC LIFT FRAME	1
E1	MEC145989	FRAME,WIDTH ADJUSTMENT WELDMENT,20"W-24"W,VERSION 2,TRU-BALANCE 3	4
E2	NUT8120005	NUT,T-SLOT,BLACK,M8-1.25	8
E3	SCRHHCS1412	SCREW, HEX HEAD, M8X1.25 X 16, ISO 4014, CL 10.9, BZ, PVTP	6
E4	SCRHHCS1727	SCREW,HHCS,BLACK ZINC,M8-1.25 X 20MM,GRADE 10.9,W/NYLON PATCH,C-1005-098	2
F1	HDW147703	SCREW, FLANGED BUTTON HEAD, M6X1.0 X 20, ISO 7380-2, CL 10.9, BZ, PVTP	8
G1	WASSTND1097	WASHER, FLAT, 6.4 ID X 12 OD X 1.6 THK, ISO 7089-6-200 HV, BZ	4
H1	HDW121242	SCREW, BUTTON HEAD, FLANGED, M6X1.0 X 8, ISO 7380-2, CL 10.9, BZ, PVTP	4

Item	Part No.	Name	Qty
A1 - H1	SET1906758	SEAT BASE,ASSY,20"W-24"W,20"D-24"D,TILT READY,REAC LIFT READY,TRU-BALANCE 3,STRETTO	1
A1	HDW145729	SCREW,SHFH,M8-1.25 X 12MM,ISO 10642,CLASS 10.9,ASTM F1941M 8E BLACK,PATCH IFI-524	8
B1	MEC1711061	EDGE MINI INTERFACE PLATE	1
C1 - C4	SET148109	FRAME,ASSY,20"D-24"D,DEPTH ADJUSTMENT,TRU-BALANCE 3 REAC LIFT FRAME	1
C1	MEC145988	FRAME,DEPTH ADJUSTMENT WELDMENT,20"D-24"D,VERSION 2,TRU-BALANCE 3	1
C2	SCRHHCS1412	SCREW, HEX HEAD, M8X1.25 X 16, ISO 4014, CL 10.9, BZ, PVTP	4
C3	SET123692	SEAT FRAME,SIDE RAIL,20"D-24"D,TRU-BALANCE 3	2
C4	WASMETR1010	WASHER,FLAT,BLACK ZINC,8.4MM ID X 16MM OD X 1.6MM THK,ISO 7089	4
D1	SET148115	SEAT PAN,20"W-24"W,20"D-24"D,TRU-BALANCE 3 REAC LIFT FRAME,PAIR	1
E1 - E4	SET148113	FRAME,ASSY,20"W-24"W,WIDTH ADJUSTMENT,TRU-BALANCE 3 REAC LIFT FRAME	1
E1	MEC145989	FRAME,WIDTH ADJUSTMENT WELDMENT,20"W-24"W,VERSION 2,TRU-BALANCE 3	4
E2	NUT8120005	NUT,T-SLOT,BLACK,M8-1.25	8
E3	SCRHHCS1412	SCREW, HEX HEAD, M8X1.25 X 16, ISO 4014, CL 10.9, BZ, PVTP	6
E4	SCRHHCS1727	SCREW,HHCS,BLACK ZINC,M8-1.25 X 20MM,GRADE 10.9,W/NYLON PATCH,C-1005-098	2
F1	HDW147703	SCREW, FLANGED BUTTON HEAD, M6X1.0 X 20, ISO 7380-2, CL 10.9, BZ, PVTP	8
G1	WASSTND1097	WASHER, FLAT, 6.4 ID X 12 OD X 1.6 THK, ISO 7089-6-200 HV, BZ	4
H1	HDW121242	SCREW, BUTTON HEAD, FLANGED, M6X1.0 X 8, ISO 7380-2, CL 10.9, BZ, PVTP	4

1.5. Seat Bases, 16"-20"W for Captains Seat (REAC Lift Only)

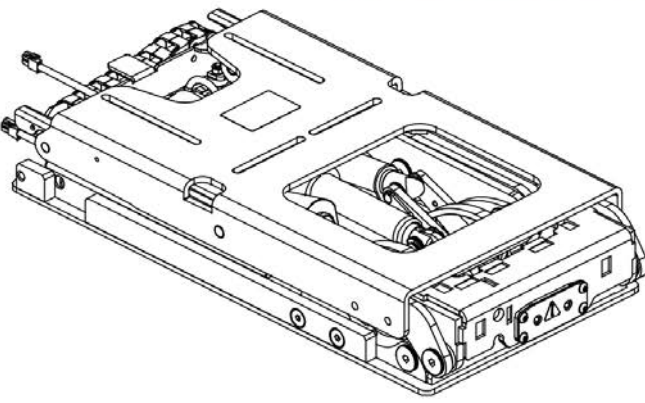
The application of a Captain's Seat mounted to the REAC Lift with I-level is only available through factory installation. Please contact sales or service for more information. The assembly shown is for reference only.



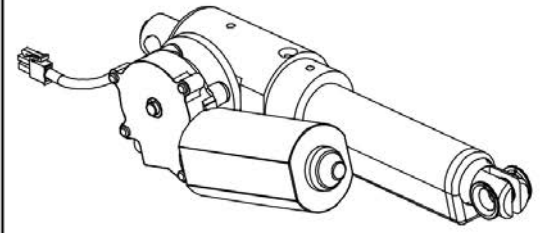
This page intentionally left blank

2. REAC Lift & Tilt Frames, Actuators, & Inhibit Switches

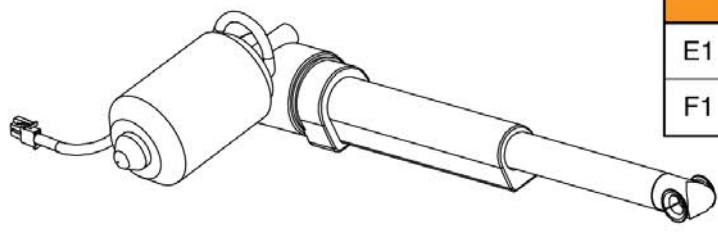
10" REAC Lift & Tilt Frames, Actuators, & Inhibit Switches

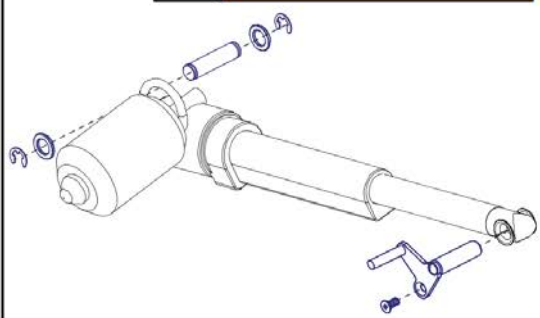


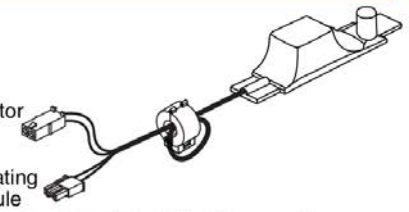
10" Frame Assy's w/ Actuators	
A1	Lift and Tilt (16 Second Actuator)
B1	Lift Only (16 Second Actuator)
C1	Lift and Tilt, HD (24 Second Actuator)
D1	Lift Only, HD (24 Second Actuator)

G1 Tilt Actuator	
	

Lift Actuators	
E1	16 Second
F1	24 Second (HD)

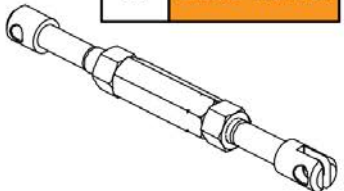


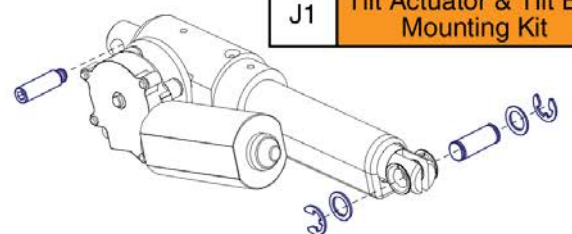
I1 Lift Actuator Mounting Kit	
	

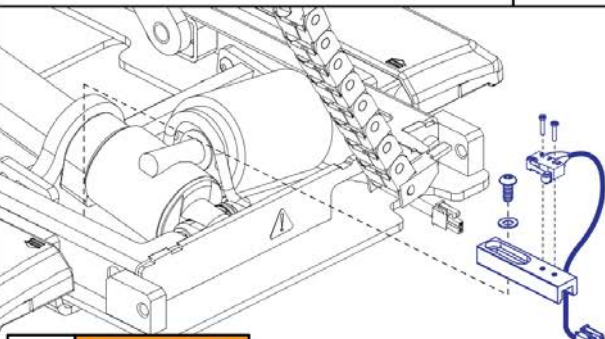
M1 Lift Actuator Intermediate Harness "Backdrive Board"	
	

To Actuator

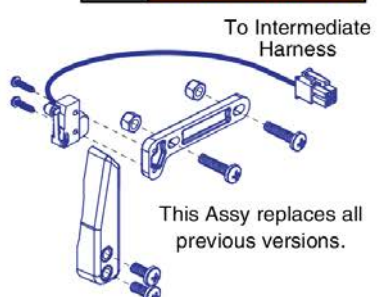
To Seating Module

H1 Static Tilt Bar	
	

J1 Tilt Actuator & Tilt Bar Mounting Kit	
	

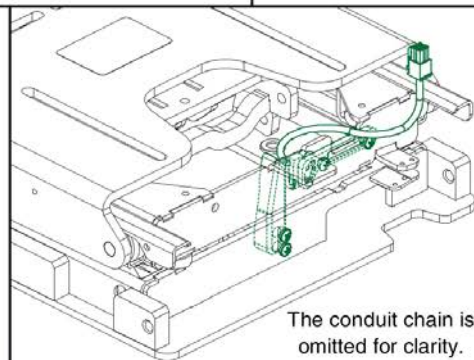
K1 I-Level Inhibit Switch Kit	
	

To Intermediate Harness

L1 Non I-Level Inhibit Switch Kit	
	

To Intermediate Harness

This Assy replaces all previous versions.



The conduit chain is omitted for clarity.

Item	Part No.	Name	Qty
A1	MEC153443	TRU-BALANCE 3 REAC LIFT & TILT,ASSY,HIGH SPEED,16 SEC,W/ACTUATORS & INHIBIT SWITCH,(REAC:LTS0043)	1
B1	MEC154675	TRU-BALANCE 3 REAC LIFT,ASSY,HIGH SPEED,16 SEC,W/ACTUATORS & INHIBIT SWITCH	1
C1	MEC154680	TRU-BALANCE 3 REAC HD LIFT & TILT,ASSY,24 SEC,W/ACTUATORS & INHIBIT SWITCH	1
D1	MEC154679	TRU-BALANCE 3 REAC HD LIFT,ASSY,24 SEC,W/ACTUATORS & INHIBIT SWITCH	1
E1	MOT153430	ACTUATOR,10",TRU BALANCE 3 REAC LIFT,(REAC:LL-5003,94QC3FB1)	1
F1	MOT147785	ACTUATOR,10",TRU-BALANCE 3 REAC LIFT,(REAC:LL-5003,94XXXXXXXXXX)	1
G1	MOT144284	ACTUATOR,TRU-BALANCE 3 REAC TILT,(REAC:LL3005M)	1
H1	MEC148055	ROMAN BOLT,ASSY,REAC LIFT ONLY OPTION (REAC: LSAB30)	1
I1	KIT147830	HARDWARE KIT,ASSY,REAC LIFT ACTUATOR,TRU-BALANCE 3	1
J1	KIT147831	HARDWARE KIT,ASSY,REAC TILT ACTUATOR,TRU-BALANCE 3	1
K1	KIT147834	INHIBIT SWITCH,ASSY,REAC LIFT,W/HARDWARE	1
L1	KIT153238	INHIBIT SWITCH,ASSY,REAC LIFT,NON-ILEVEL,W/HARDWARE	1
M1	ELE153301	ELECTRICAL,ASSEMBLY,REAC LIFT BACK DRIVE PCBA & INPUT/OUTPUT HARNESS	1

2. REAC Lift & Tilt Frames, Actuators, & Inhibit Switches

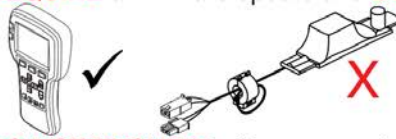
12" REAC Lift & Tilt Frames, Actuators, & Inhibit Switches						
	<p>12" Frame Assy's w/ Actuators</p> <table border="1"> <tr> <td>A1</td> <td>Lift and Tilt</td> </tr> <tr> <td>B1</td> <td>Lift Only</td> </tr> </table>	A1	Lift and Tilt	B1	Lift Only	<p>D1 Tilt Actuator</p>
A1	Lift and Tilt					
B1	Lift Only					
<p>The replacement of the Lift Actuator requires the selection of a KIT assy that will include the actuator, mounting hardware, & instructions.</p> <p>Lift Actuator Replacement Kits</p> <p>KITs</p> <p>Click on the callout KITs to be redirected to the "REAC Lift Actuator Replacement Kits" page. If viewing thru a PDF document, please locate the page through the table of contents. The page will contain the KIT part numbers, model usage, and information about Firmware updates.</p>		<p>F1 Lift Actuator Mounting Kit</p>				
<p>C1 Lift Actuator Intermediate Harness "Backdrive Board"</p> <p>To Actuator</p> <p>To Seating Module</p>	<p>E1 Static Tilt Bar</p>	<p>G1 Tilt Actuator & Tilt Bar Mounting Kit</p>				
<p>H1 I-Level Inhibit Switch Kit</p> <p>To Intermediate Harness</p>	<p>I1 Non I-Level Inhibit Switch Kit</p> <p>To Intermediate Harness</p> <p>This Assy replaces all previous versions.</p> <p>The conduit chain is omitted for clarity.</p>					

Item	Part No.	Name	Qty
A1	MEC1703351	TRU-BALANCE 3 REAC 12" LIFT & TILT,ASSY,HIGH SPEED,20 SEC,W/ACTUATORS & INHIBIT SWITCH	1
B1	MEC1703281	TRU-BALANCE 3 REAC 12" LIFT,ASSY,HIGH SPEED, 20 SEC,W/ACTUATORS,(DWG 155386)	1
C1	ELE153301	ELECTRICAL,ASSEMBLY,REAC LIFT BACK DRIVE PCBA & INPUT/OUTPUT HARNESS	1
D1	MOT144284	ACTUATOR,TRU-BALANCE 3 REAC TILT,(REAC:LL3005M)	1
E1	MEC148055	ROMAN BOLT,ASSY,REAC LIFT ONLY OPTION (REAC: LSAB30)	1
F1	KIT147830	HARDWARE KIT,ASSY,REAC LIFT ACTUATOR,TRU-BALANCE 3	1
G1	KIT147831	HARDWARE KIT,ASSY,REAC TILT ACTUATOR,TRU-BALANCE 3	1
H1	KIT147834	INHIBIT SWITCH,ASSY,REAC LIFT,W/HARDWARE	1
I1	KIT153238	INHIBIT SWITCH,ASSY,REAC LIFT,NON-ILEVEL,W/HARDWARE	1
KITs		ACTUATOR, 12 INCH TRU-BALANCE 3 REAC LIFT	0

2. REAC Lift & Tilt Frames, Actuators, & Inhibit Switches

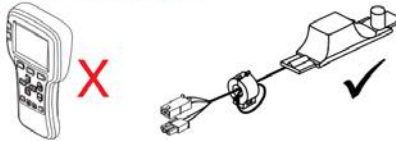
IMPORTANT: The following electronics configurations **REQUIRE** a firmware update and **DO NOT UTILIZE** the REAC Lift Actuator Intermediate Board:

Q-Logic 3 with an AM1, AM2, or LAM2



IMPORTANT: The following electronics configurations **DO NOT REQUIRE** a firmware update and instead **UTILIZE** the REAC Lift Actuator Intermediate Board:

Q-Logic 3 with an AAM
 Q-Logic 2 with an AM1, AM2, LAM2, or AAM
 NE+ with an AM1, AM2, or LAM2



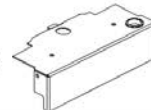
***Note:** If the unit is already equipped with an Intermediate Board it can be reused during installation, replacement is not required.

Kit Selection for Q6 Edge 3 Power Bases:

- Select (A1) or (C1) for Q6 Edge 3 Power Bases. The Q6 Edge 3 comes standard with a Notched Rear Wire Cover. Replacement is not required.

Kit Selection for all Power Bases EXCEPT Q6 Edge 3:

- Select (B1) or (D1) if the Power Base is **NOT** a Q6 Edge 3. The Enclosed Rear Wire Cover is a standard component for all other units and **MUST** be replaced during installation.



Kit Selection and Contents

Kit Contents	(A1)	(B1)	(C1)	(D1)
	Q6 Edge 3		Q6 Edge 3	
REAC Lift Actuator	✓	✓	✓	✓
REAC Lift Actuator Hardware Kit	✓	✓	✓	✓
Lift Lockout Kit	✓	✓	✓	✓
Lift Inhibit Switch Hardware	✓	✓	✓	✓
Cable Ties, 8" and 11"	✓	✓	✓	✓
Notched Rear Wire Cover		✓		✓
Notched Rear Wire Cover Hardware		✓		✓
REAC Lift Actuator Intermediate Board			✓	✓

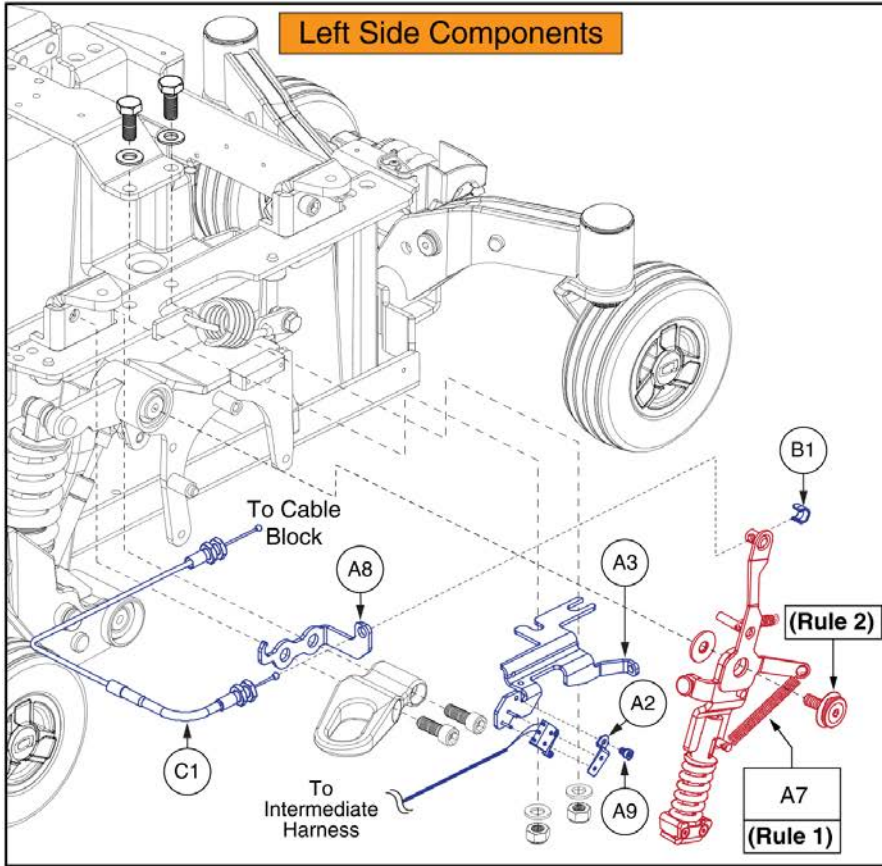
<p>Kits: A1,B1,C1,D1</p> <p>REAC Lift Actuator</p>	<p>Kits: A1,B1,C1,D1</p> <p>Lift Lockout Kit</p> <p>Clevis Pin Position Pin Block Cotter Pin Lockout Block</p>		
<p>Kits: A1,B1,C1,D1</p> <p>REAC Lift Actuator Hardware Kit</p> <p>Front Pin M5-0.8 X 12MM Plastic Washer E-Clip Rear Pin</p>	<p>Lift Inhibit Switch Hardware</p> <p>M2-0.4 X 10MM</p> <p>Kits: A1,B1,C1,D1</p>	<p>Cable Ties</p> <p>8" x 1 11" x 1</p> <p>Kits: A1,B1,C1,D1</p>	<p>Installation Instructions</p> <p>Kits: A1,B1,C1,D1</p>
<p>REAC Lift Actuator Intermediate Board</p> <p>Kits: C1,D1</p>	<p>Notched Rear Wire Cover</p> <p>Kits: B1,D1</p>	<p>Notched Rear Wire Cover Mounting Hardware</p> <p>M5-0.8 X 12mm</p> <p>Kits: B1,D1</p>	

REAC Lift Actuator Replacement Kits



Item	Part No.	Name	Qty
A1	KIT1900773	KIT,ASSY,REAC LIFT 3.0 LEAD ACTUATOR,ILEVEL,EDGE 3 SPECIFIC	1
B1	KIT1900783	KIT,ASSY,REAC LIFT 3.0 LEAD ACTUATOR	1
C1	KIT1901189	KIT,ASSY,REAC LIFT 3.0 LEAD ACTUATOR,ILEVEL,EDGE 3 SPECIFIC,W/BACK DRIVE BOARD	
D1	KIT1901190	KIT,ASSY,REAC LIFT 3.0 LEAD ACTUATOR,W/BACK DRIVE BOARD	

3.1. Q6 Edge 2.0 / Q6 Edge 3

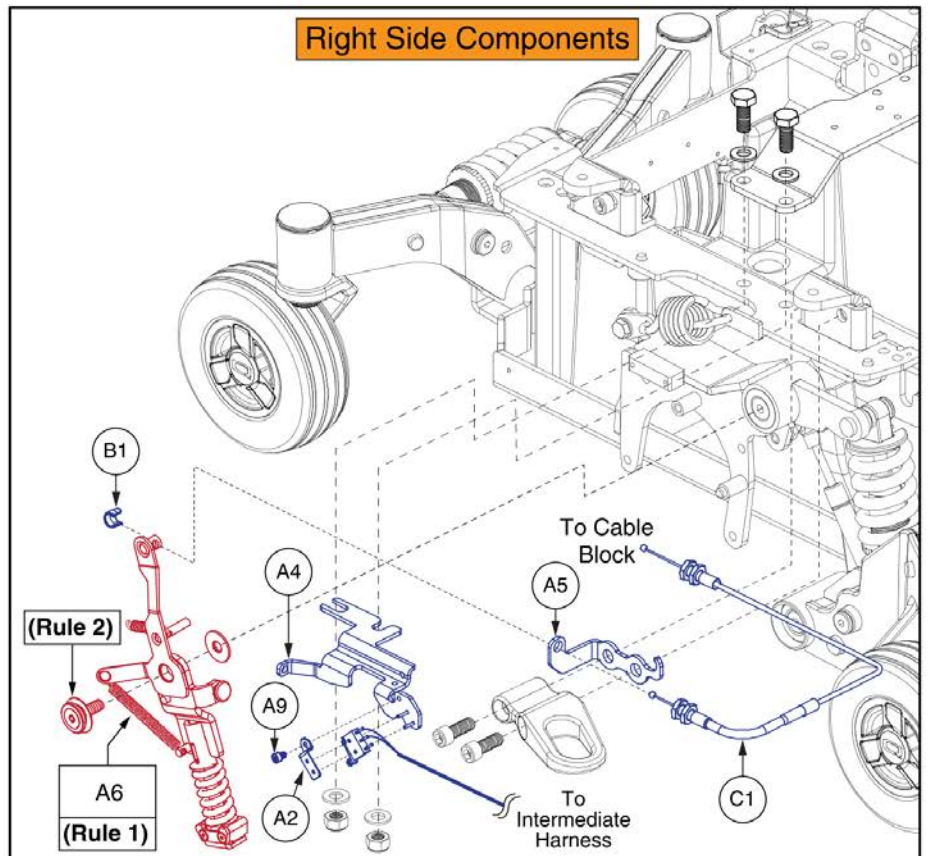
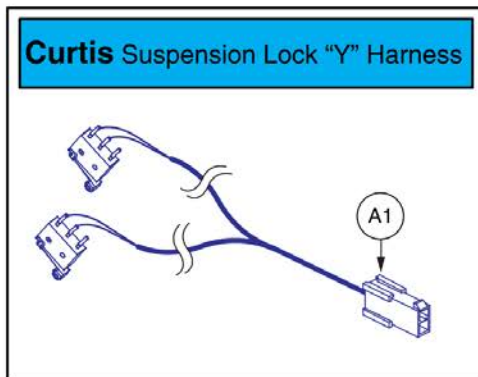


**Complete I-Level Base Assy's,
Q6 Edge 2 Series / Q6 Edge 3**

A1 - A9	Curtis Electronics
---------	---------------------------

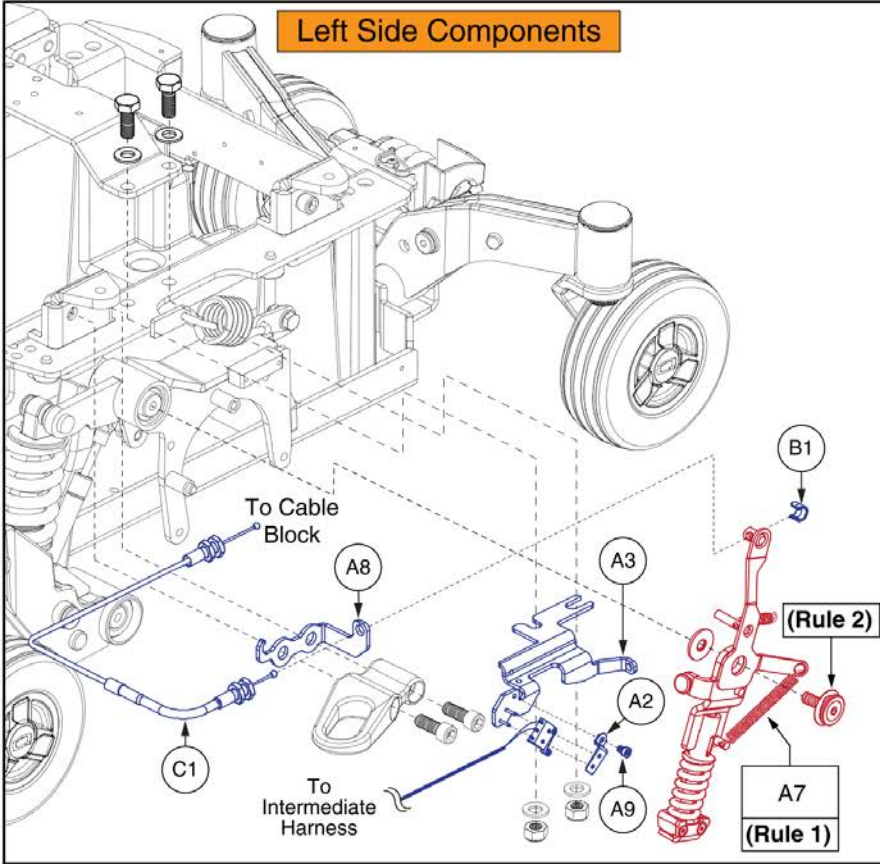
Rules:

1. If a Suspension Limiter Assy (A6 or A7) requires replacement, both the left and right sides must be selected.
2. Torque the suspension Limiter Assy fasteners to **25 - 30 N • m (18.4 - 22.1 ft • lb)**.



Item	Part No.	Name	Qty
A1 - A9	MEC147096	ILEVEL,ASSY,Q6 EDGE 2.0	1
A1	ELE145674	HARNESS,ILEVEL BASE SUSPENSION LOCK SIGNAL CURTIS,Q6EDGE	1
A2	MEC146558	MICROSWITCH MOUNT TAB	2
A3	MEC146551	ILEVEL LEFT ANCHOR BRACKET WELDMENT	1
A4	MEC146557	ILEVEL RIGHT ANCHOR BRACKET WELDMENT	1
A5	MEC146630	RIGHT CABLE CONDUIT STOP BRACKET	1
A6	MEC150224	SUSPENSION LIMITER ASSEMBLY, RIGHT	1
A7	MEC150194	SUSPENSION LIMITER ASSEMBLY, LEFT	1
A8	MEC146616	LEFT CABLE CONDUIT STOP BRACKET	1
A9	HDW147454	SCREW,SHCS,M4-0.7 X 6MM LG,CLASS 10.9,BLACK ZINC,NYLON PATCH	2
B1	DGN146907	ILEVEL CABLE END RETAINER	2
C1	MEC148172	ILEVEL CABLE,ASSY,TRU-BALANCE 3 POWER ADJUSTABLE SEAT LIFT W/ILEVEL	1

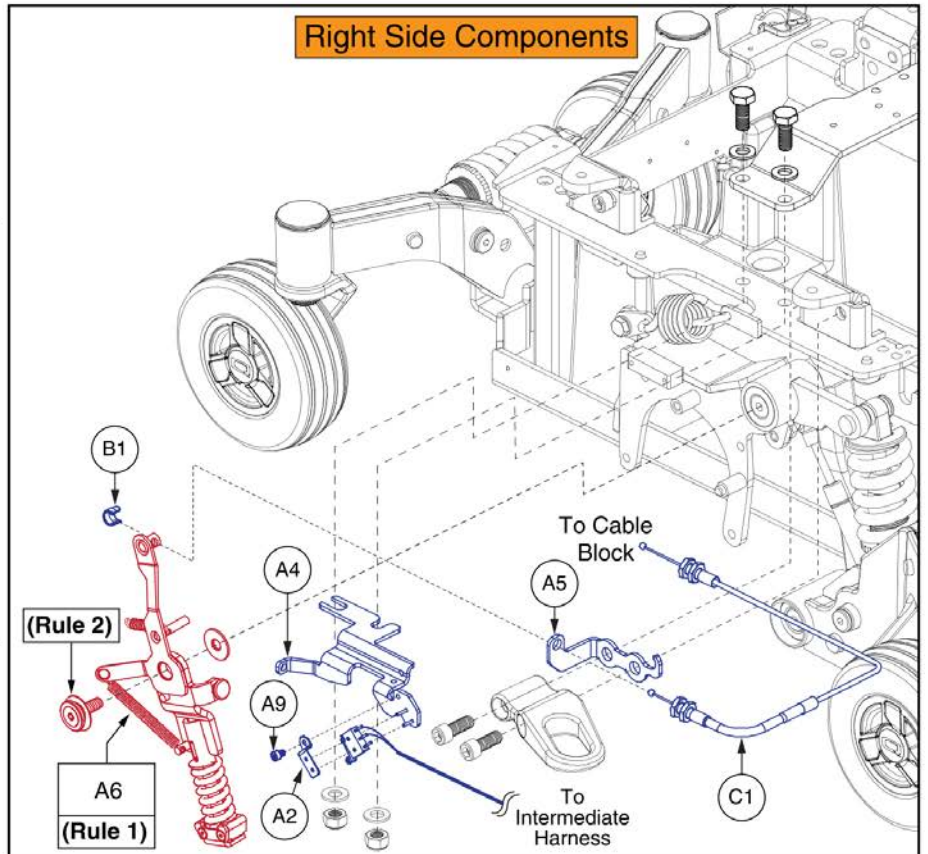
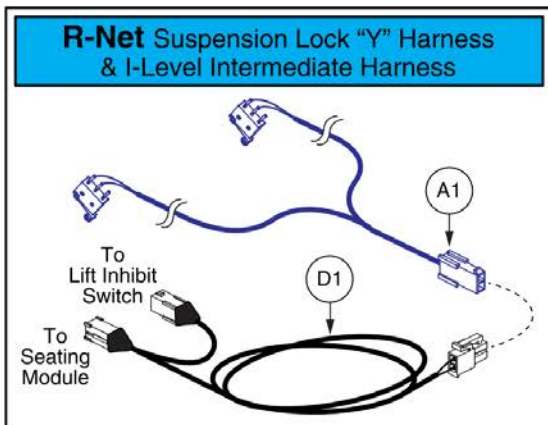
3.1. Q6 Edge 2.0 / Q6 Edge 3



Complete I-Level Base Assy's, Q6 Edge 2 Series / Q6 Edge 3	
A1 - A9	R-Net Electronics

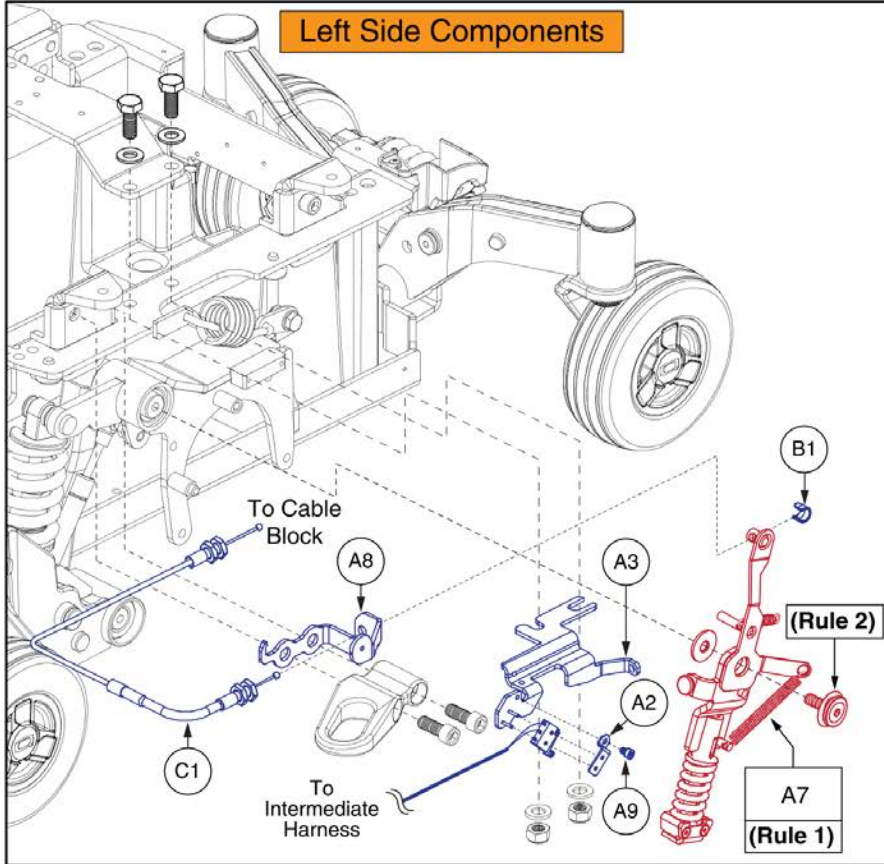
Rules:

1. If a Suspension Limiter Assy (A6 or A7) requires replacement, both the left and right sides must be selected.
2. Torque the suspension Limiter Assy fasteners to **25 - 30 N • m (18.4 - 22.1 ft • lb)**.



Item	Part No.	Name	Qty
A1 - A9	MEC153358	ILEVEL,ASSY,R-NET,Q6 EDGE 2.0	1
A1	ELE147120	HARNESS,ILEVEL BASE SUSPENSION LOCK SIGNAL RNET,Q6EDGE	1
A2	MEC146558	MICROSWITCH MOUNT TAB	2
A3	MEC146551	ILEVEL LEFT ANCHOR BRACKET WELDMENT	1
A4	MEC146557	ILEVEL RIGHT ANCHOR BRACKET WELDMENT	1
A5	MEC146630	RIGHT CABLE CONDUIT STOP BRACKET	1
A6	MEC150224	SUSPENSION LIMITER ASSEMBLY, RIGHT	1
A7	MEC150194	SUSPENSION LIMITER ASSEMBLY, LEFT	1
A8	MEC146616	LEFT CABLE CONDUIT STOP BRACKET	1
A9	HDW147454	SCREW,SHCS,M4-0.7 X 6MM LG,CLASS 10.9,BLACK ZINC,NYLON PATCH	2
B1	DGN146907	ILEVEL CABLE END RETAINER	2
C1	MEC148172	ILEVEL CABLE,ASSY,TRU-BALANCE 3 POWER ADJUSTABLE SEAT LIFT W/ILEVEL	1
D1	ELE147121	HARNESS,ILEVEL SEAT INTERMEDIATE HARNESS R-NET	1

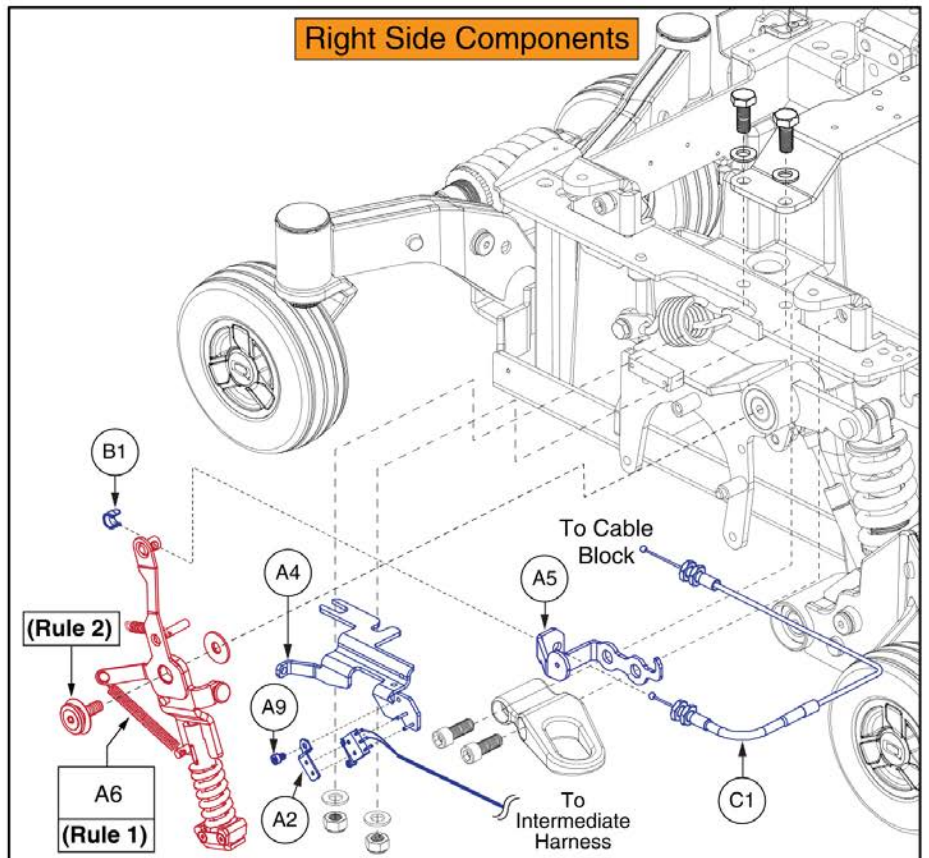
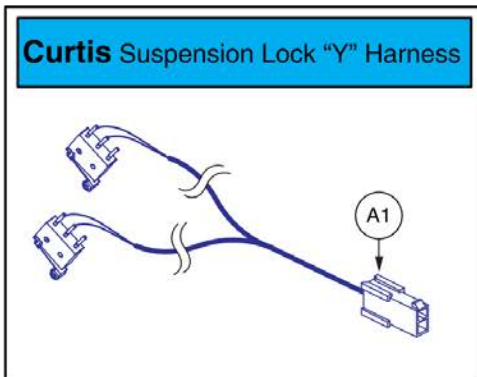
3.1. Q6 Edge 2.0 / Q6 Edge 3



Complete I-Level Base Assy's, Q6 Edge 2 Series / Q6 Edge 3 w/ Base Mounted Lights	
A1-A9	Curtis Electronics

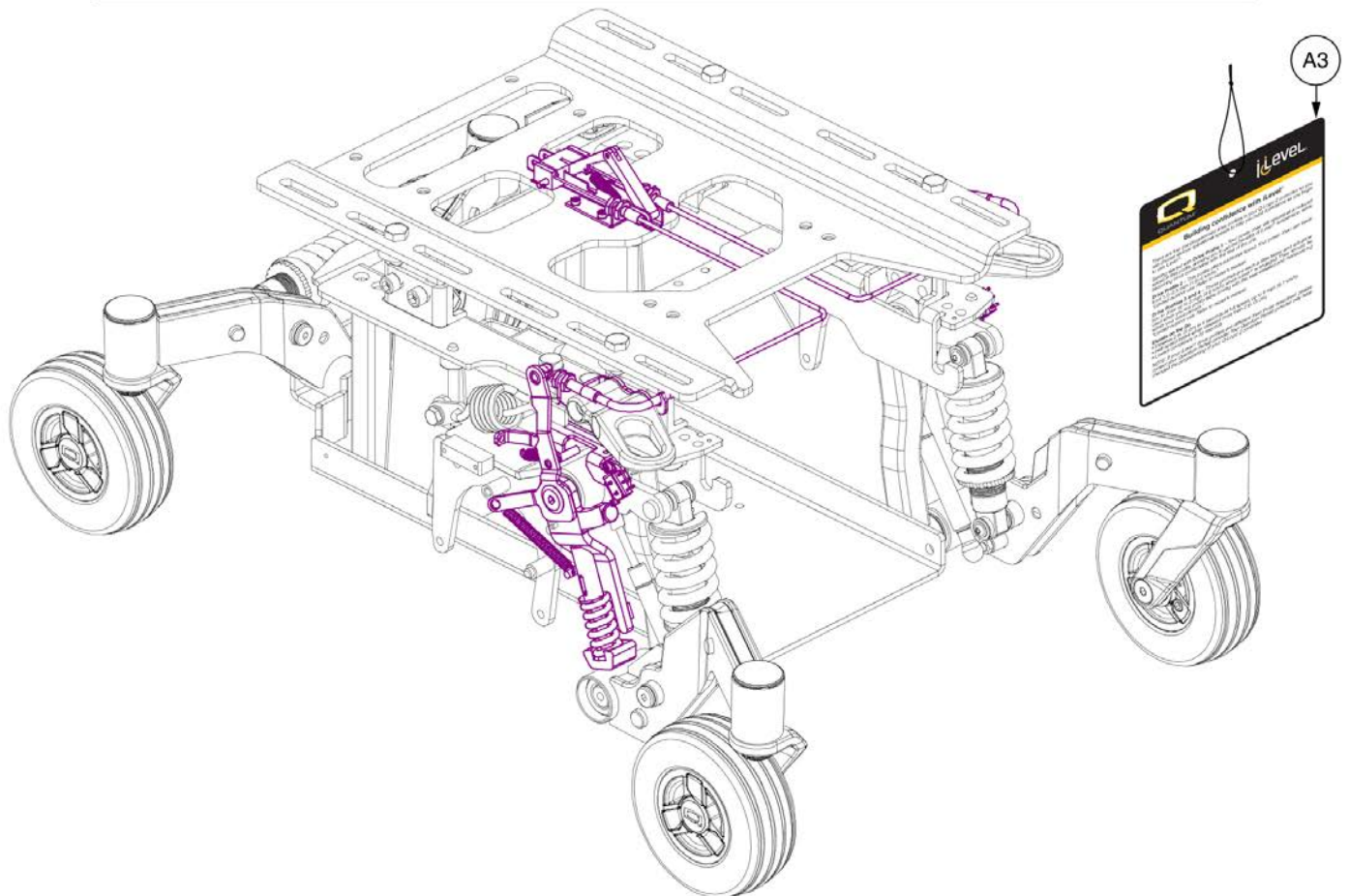
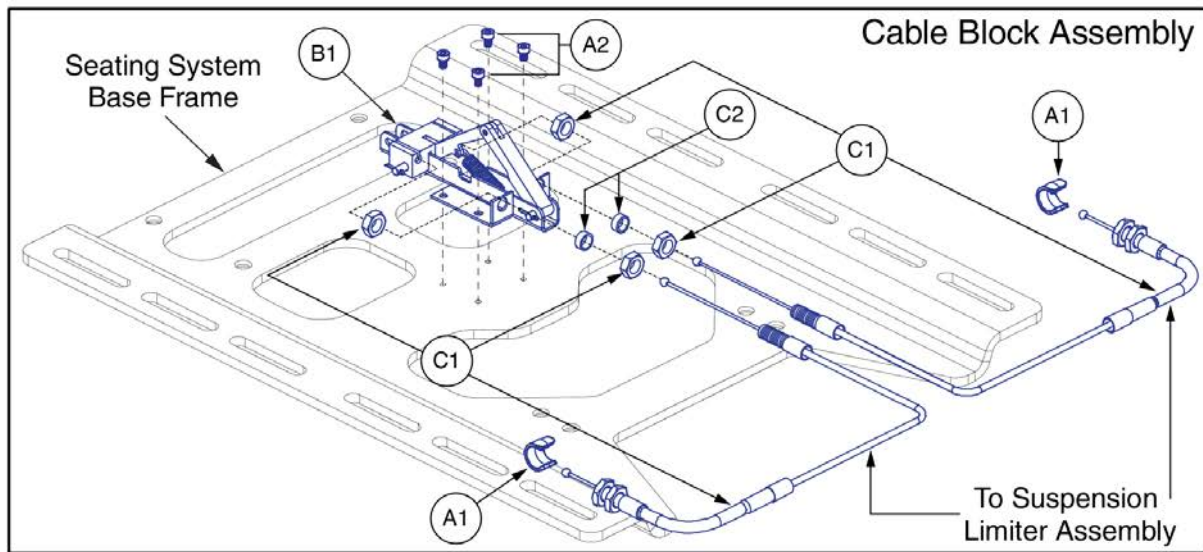
Rules:

1. If a Suspension Limiter Assy (A6 or A7) requires replacement, both the left and right sides must be selected.
2. Torque the suspension Limiter Assy fasteners to **25 - 30 N • m (18.4 - 22.1 ft • lb)**



Item	Part No.	Name	Qty
A1 - A9	MEC169545	ILEVEL,ASSY,CURTIS,Q6 EDGE 2.0,BASE MOUNTED LIGHTS	1
A1	ELE145674	HARNESS,ILEVEL BASE SUSPENSION LOCK SIGNAL CURTIS,Q6EDGE	1
A2	MEC146558	MICROSWITCH MOUNT TAB	2
A3	MEC146551	ILEVEL LEFT ANCHOR BRACKET WELDMENT	1
A4	MEC146557	ILEVEL RIGHT ANCHOR BRACKET WELDMENT	1
A5	MEC153159	RIGHT CABLE BRACKET WITH LIGHT EXTENSION	1
A6	MEC150224	SUSPENSION LIMITER ASSEMBLY, RIGHT	1
A7	MEC150194	SUSPENSION LIMITER ASSEMBLY, LEFT	1
A8	MEC152998	LEFT CABLE BRACKET WITH LIGHT EXTENSION	1
A9	HDW147454	SCREW,SHCS,M4-0.7 X 6MM LG,CLASS 10.9,BLACK ZINC,NYLON PATCH	2
B1	DGN146907	ILEVEL CABLE END RETAINER	2
C1	MEC148172	ILEVEL CABLE,ASSY,TRU-BALANCE 3 POWER ADJUSTABLE SEAT LIFT W/ILEVEL	1

3.1. Q6 Edge 2.0 / Q6 Edge 3

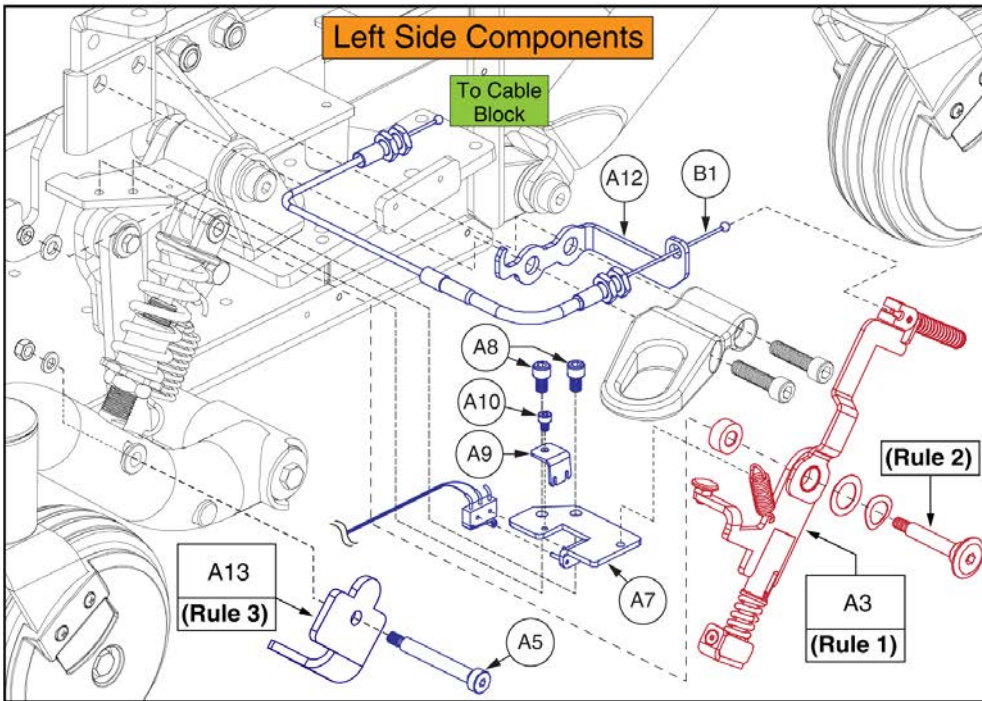


I-Level Power Base Cable & Mounting Block Assy



Item	Part No.	Name	Qty
A1 - C2	MEC148170	ILEVEL,ASSY,TB3 POWER ADJUSTABLE SEAT LIFT W/ILEVEL	1
A1	DGN146907	ILEVEL CABLE END RETAINER	2
A2	HDW147454	SCREW,SHCS,M4-0.7 X 6MM LG,CLASS 10.9,BLACK ZINC,NYLON PATCH	4
A3	LAB150425	HANG TAG,TRU-BALANCE 3 LIFT W/ILEVEL	1
B1 - C2	MEC148171	ILEVEL CABLE,ASSY,W/MOUNTING BLOCK,TRU-BALANCE 3 POWER ADJUSTABLE SEAT LIFT W/ILEVEL	1
B1	MEC146025	CABLE PUSH BLOCK ASSEMBLY	1
C1 - C2	MEC148172	ILEVEL CABLE,ASSY,TRU-BALANCE 3 POWER ADJUSTABLE SEAT LIFT W/ILEVEL	1
C1	MEC145589	CABLE,ASSY,ILEVEL SUSPENSION LOCKOUT	2
C2	MEC147688	ILEVEL CABLE FITTING SPACER	2

3.2. Q6 Edge HD / Q6 Edge Z



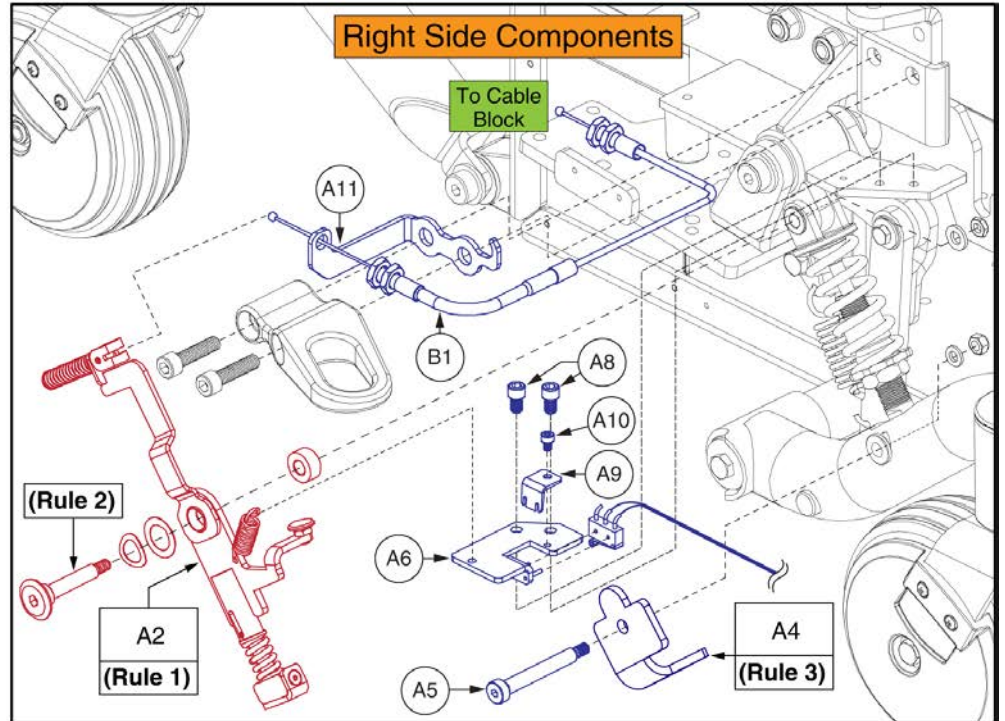
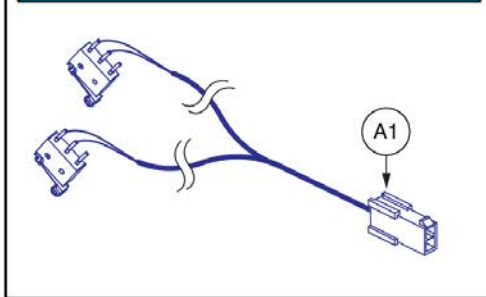
Complete I-Level Base Assy's,
Q6 Edge HD / Q6 Edge Z

A1 - A13	Curtis Electronics
----------	--------------------

Rules:

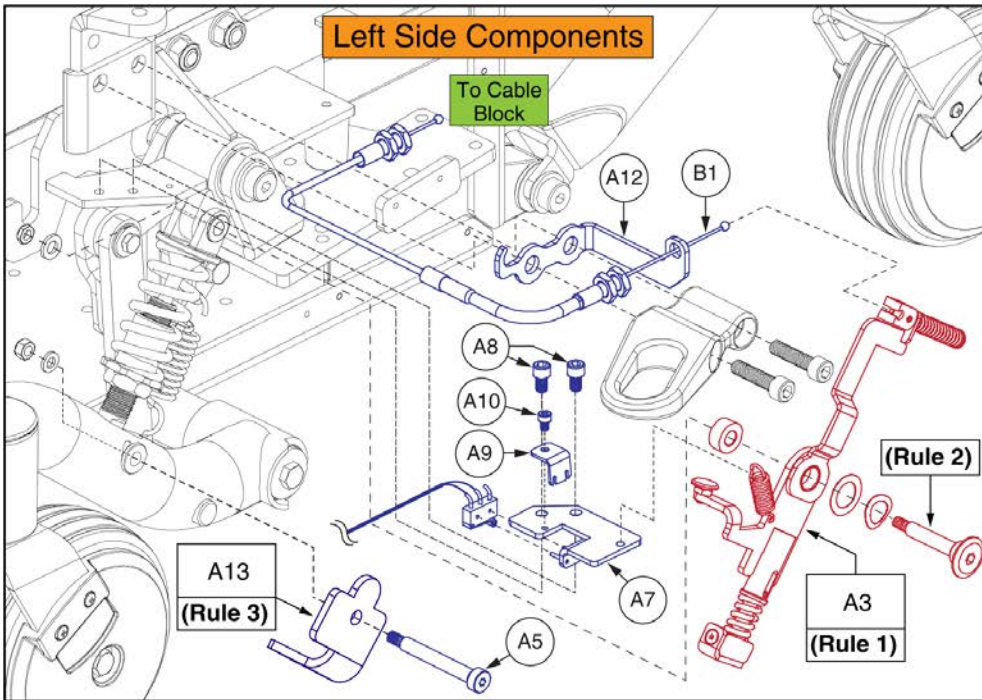
1. If a Suspension Limiter Assy (A2 or A3) requires replacement, both the left and right sides must be selected.
2. Torque the suspension Limiter Assy fasteners to **15 N • m (11 ft • lb)**
3. The "Universal", I-Level Castor Bracket is no longer available. Both A4 & A13 must be selected for replacement.

Curtis Suspension Lock "Y" Harness



Item	Part No.	Name	Qty
A1 - A13	MEC167592	ILEVEL,ASSY,CURTIS,Q6 EDGE HD/Q6 EDGE Z	1
A1	ELE145674	HARNESS,ILEVEL BASE SUSPENSION LOCK SIGNAL CURTIS,Q6EDGE	1
A2	MEC155025	HD ILEVEL LOCKOUT,ASSY,RIGHT	1
A3	MEC155045	HD ILEVEL LOCKOUT,ASSY,LEFT	1
A4	MEC1706847	CASTER BRACKET,RIGHT	1
A5	HDW155221	BOLT, SHOULDER, 8MM X 55MM, ISO 7379, CL 12.9	2
A6	MEC155515	SWITCH BRACKET WELDMENT,RIGHT	1
A7	MEC155518	SWITCH BRACKET WELDMENT,LEFT	1
A8	HDW166324	SCREW, SOCKET HEAD CAP, M6x1 x 10, ISO 4762, CL 12.9, BZ, NYP	4
A9	MEC155688	SWITCH HOLDING BRACKET	2
A10	HDW147454	SCREW,SHCS,M4-0.7 X 6MM LG,CLASS 10.9,BLACK ZINC,NYLON PATCH	2
A11	MEC162155	RIGHT CABLE BRACKET	1
A12	MEC162154	LEFT CABLE BRACKET	1
A13	MEC1707284	CASTER BRACKET,LEFT	1
B1	MEC148172	ILEVEL CABLE,ASSY,TRU-BALANCE 3 POWER ADJUSTABLE SEAT LIFT W/ILEVEL	1

3.2. Q6 Edge HD / Q6 Edge Z

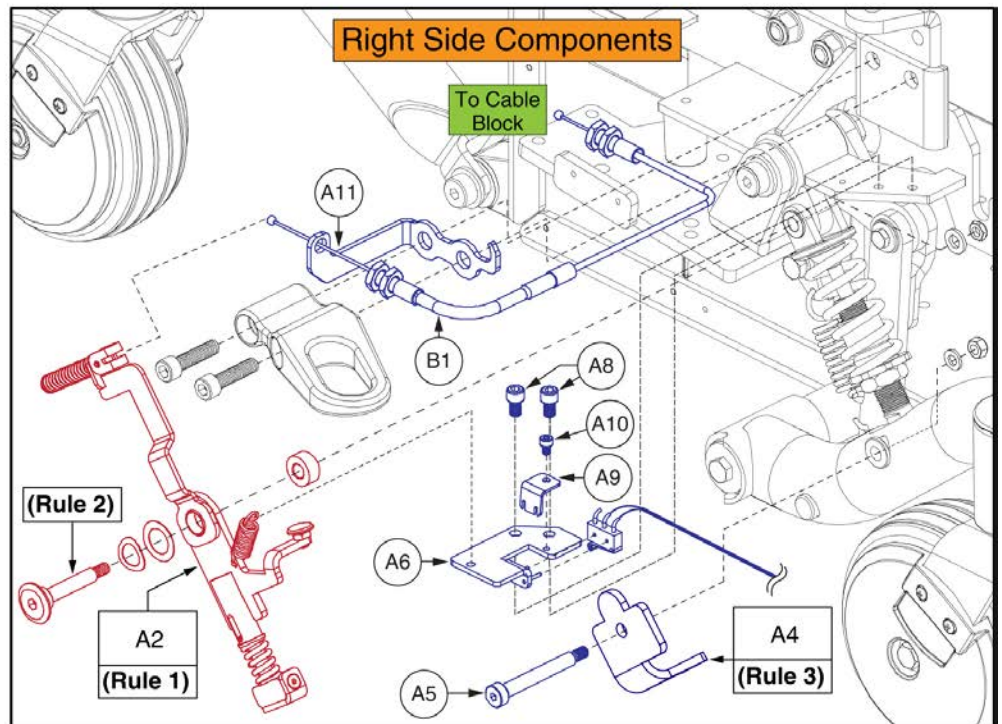
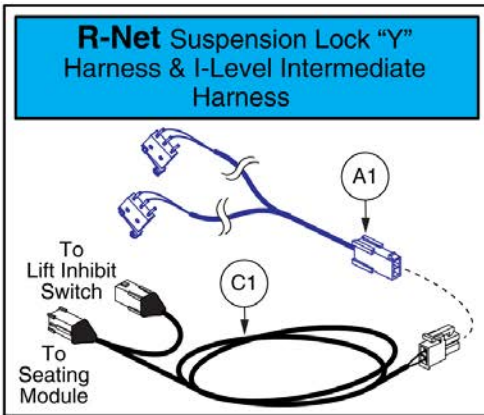


Complete I-Level Base Assy's,
Q6 Edge HD / Q6 Edge Z

A1 - A13	R-Net Electronics
----------	-------------------

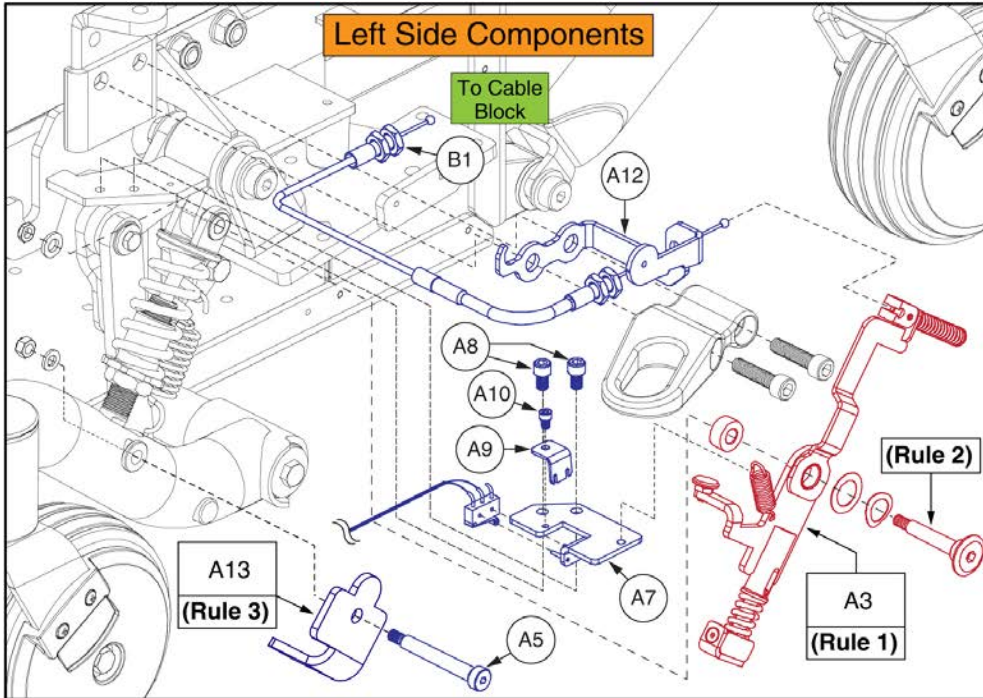
Rules:

1. If a Suspension Limiter Assy (A2 or A3) requires replacement, both the left and right sides must be selected.
2. Torque the suspension Limiter Assy fasteners to **15 N • m (11 ft • lb)**
3. The "Universal", I-Level Caster Bracket is no longer available. Both A4 & A13 must be selected for replacement.



Item	Part No.	Name	Qty
A1 - A13	MEC167594	ILEVEL,ASSY,R-NET,Q6 EDGE HD/Q6 EDGE Z	1
A1	ELE147120	HARNESS,ILEVEL BASE SUSPENSION LOCK SIGNAL RNET,Q6EDGE	1
A2	MEC155025	HD ILEVEL LOCKOUT,ASSY,RIGHT	1
A3	MEC155045	HD ILEVEL LOCKOUT,ASSY,LEFT	1
A4	MEC1706847	CASTER BRACKET,RIGHT	1
A5	HDW155221	BOLT, SHOULDER, 8MM X 55MM, ISO 7379, CL 12.9	2
A6	MEC155515	SWITCH BRACKET WELDMENT,RIGHT	1
A7	MEC155518	SWITCH BRACKET WELDMENT,LEFT	1
A8	HDW166324	SCREW, SOCKET HEAD CAP, M6x1 x 10, ISO 4762, CL 12.9, BZ, NYP	4
A9	MEC155688	SWITCH HOLDING BRACKET	2
A10	HDW147454	SCREW,SHCS,M4-0.7 X 6MM LG,CLASS 10.9,BLACK ZINC,NYLON PATCH	2
A11	MEC162155	RIGHT CABLE BRACKET	1
A12	MEC162154	LEFT CABLE BRACKET	1
A13	MEC1707284	CASTER BRACKET,LEFT	1
B1	MEC148172	ILEVEL CABLE,ASSY,TRU-BALANCE 3 POWER ADJUSTABLE SEAT LIFT W/ILEVEL	1
C1	ELE147121	HARNESS,ILEVEL SEAT INTERMEDIATE HARNESS R-NET	1

3.2. Q6 Edge HD / Q6 Edge Z

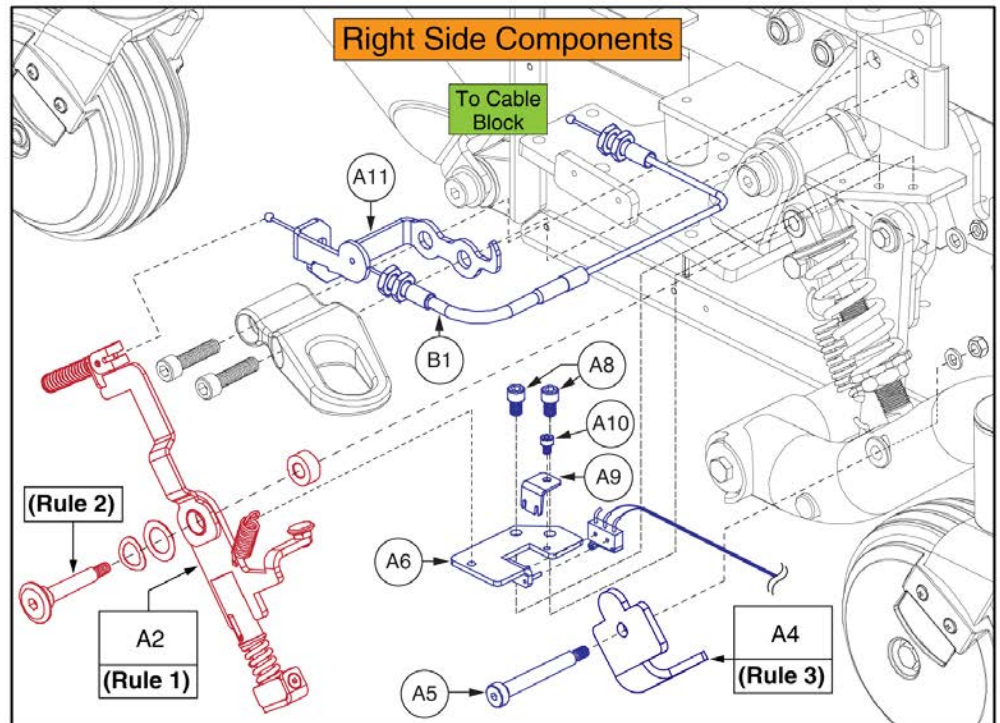
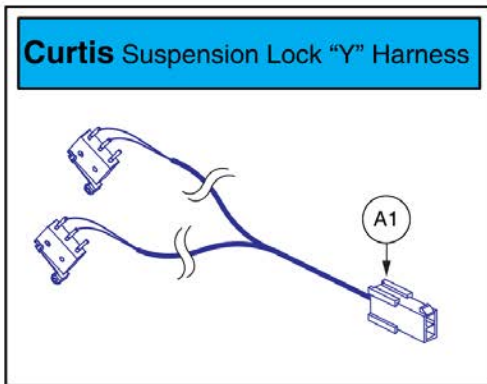


Complete I-Level Base Assy's,
Q6 Edge HD / Q6 Edge Z

A1-A13	Curtis Electronics
--------	--------------------

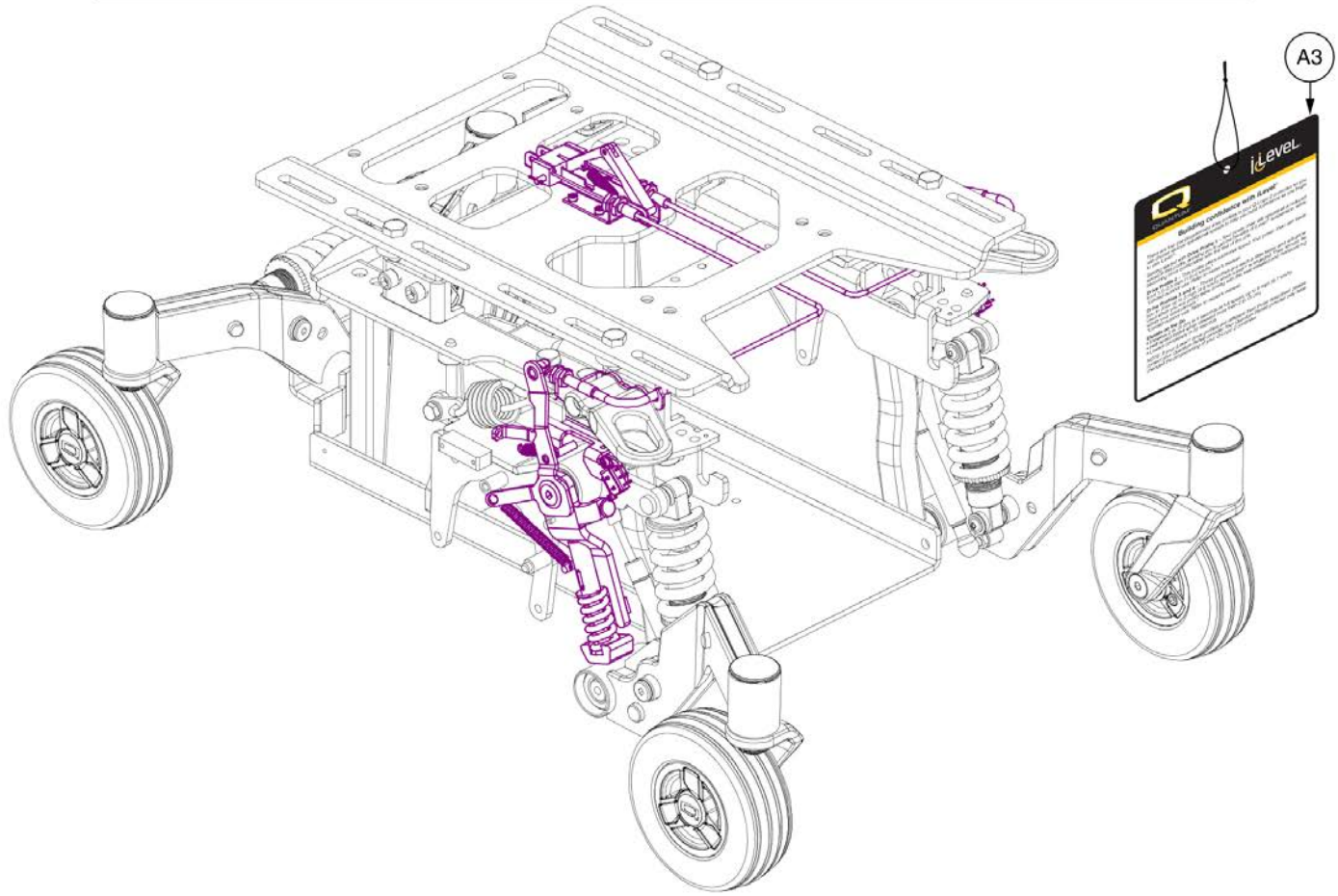
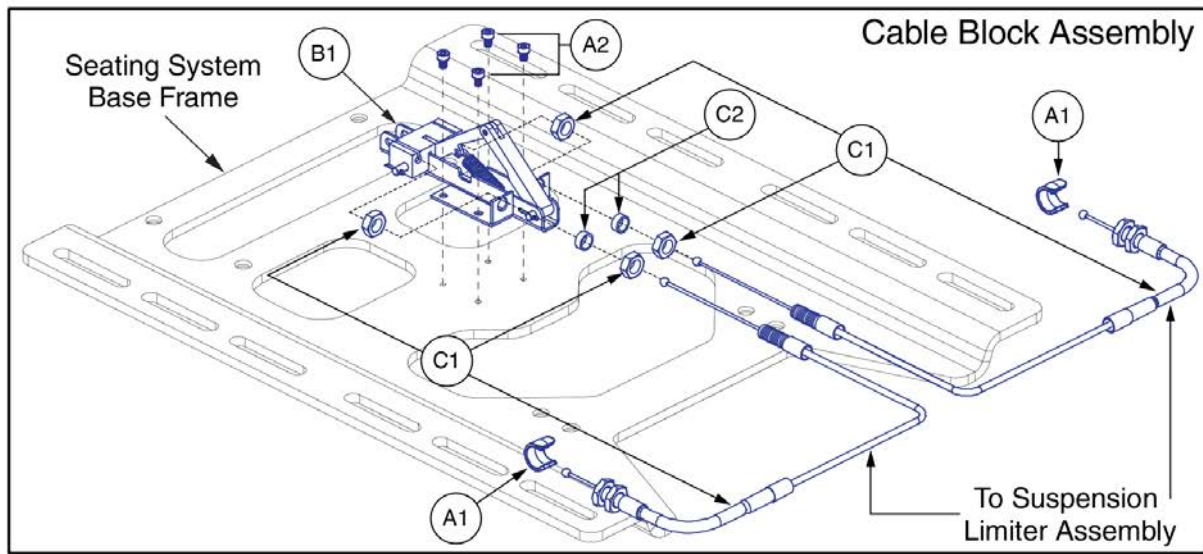
Rules:

1. If a Suspension Limiter Assy (A2 or A3) requires replacement, both the left and right sides must be selected.
2. Torque the Suspension Limiter Assy fasteners to **15 N • m (11 ft • lb)**
3. The "Universal", I-Level Caster Bracket is no longer available. Both A4 & A13 must be selected for replacement.



Item	Part No.	Name	Qty
A1 - A13	MEC167593	ILEVEL,ASSY,CURTIS,Q6 EDGE HD/Q6 EDGE Z,W/FENDER LIGHTS	1
A1	ELE145674	HARNESS,ILEVEL BASE SUSPENSION LOCK SIGNAL CURTIS,Q6EDGE	1
A2	MEC155025	HD ILEVEL LOCKOUT,ASSY,RIGHT	1
A3	MEC155045	HD ILEVEL LOCKOUT,ASSY,LEFT	1
A4	MEC1706847	CASTER BRACKET,RIGHT	1
A5	HDW155221	BOLT, SHOULDER, 8MM X 55MM, ISO 7379, CL 12.9	2
A6	MEC155515	SWITCH BRACKET WELDMENT,RIGHT	1
A7	MEC155518	SWITCH BRACKET WELDMENT,LEFT	1
A8	HDW166324	SCREW, SOCKET HEAD CAP, M6x1 x 10, ISO 4762, CL 12.9, BZ, NYP	4
A9	MEC155688	SWITCH HOLDING BRACKET	2
A10	HDW147454	SCREW,SHCS,M4-0.7 X 6MM LG,CLASS 10.9,BLACK ZINC,NYLON PATCH	2
A11	MEC160013	RIGHT CABLE BRACKET WITH LIGHT EXTENSION	1
A12	MEC160012	LEFT CABLE BRACKET WITH LIGHT EXTENSION	1
A13	MEC1707284	CASTER BRACKET,LEFT	1
B1	MEC148172	ILEVEL CABLE,ASSY,TRU-BALANCE 3 POWER ADJUSTABLE SEAT LIFT W/ILEVEL	1

3.2. Q6 Edge HD / Q6 Edge Z



I-Level Power Base Cable & Mounting Block Assy

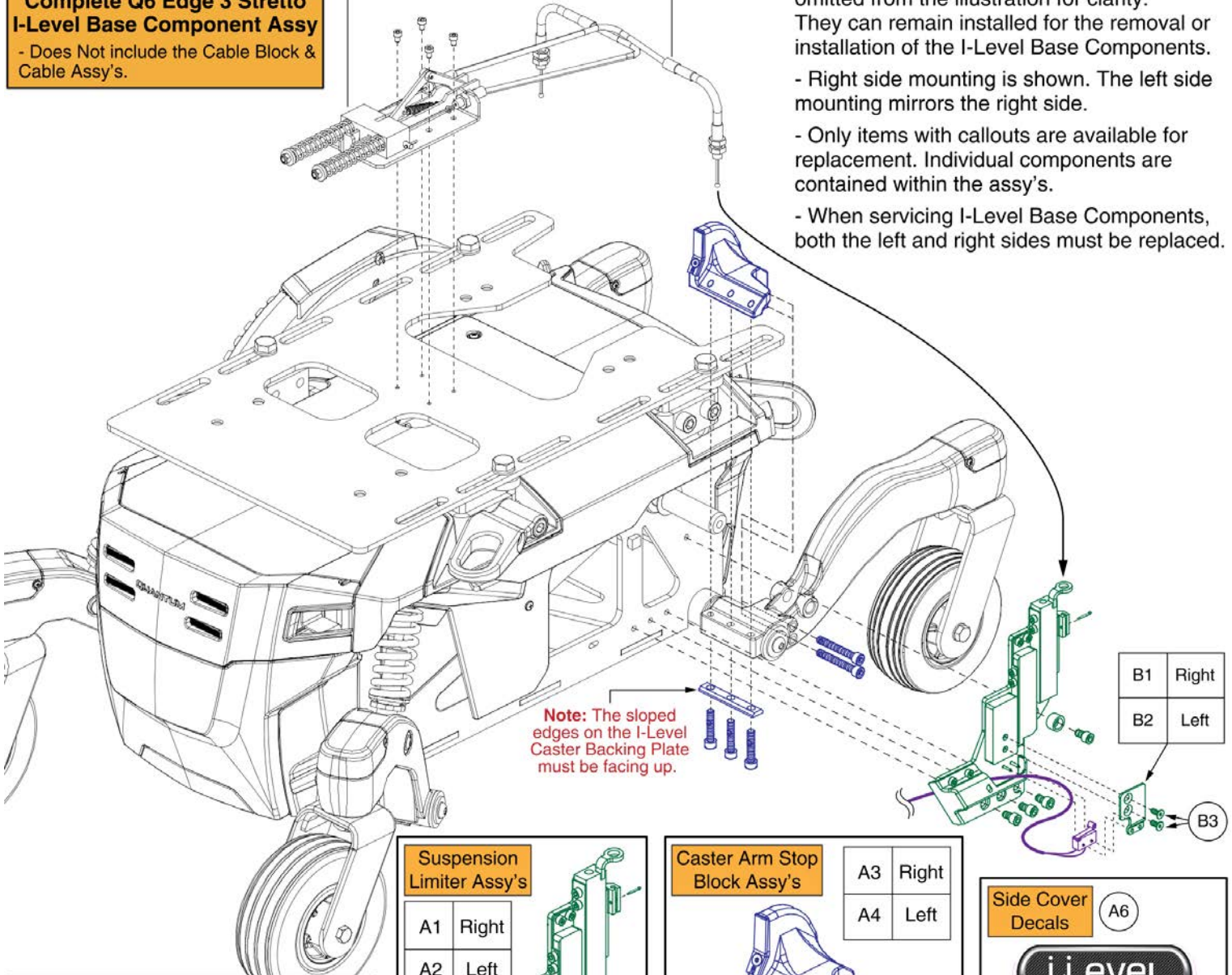


Item	Part No.	Name	Qty
A1 - C2	MEC148170	ILEVEL,ASSY,TB3 POWER ADJUSTABLE SEAT LIFT W/ILEVEL	1
A1	DGN146907	ILEVEL CABLE END RETAINER	2
A2	HDW147454	SCREW,SHCS,M4-0.7 X 6MM LG,CLASS 10.9,BLACK ZINC,NYLON PATCH	4
A3	LAB150425	HANG TAG,TRU-BALANCE 3 LIFT W/ILEVEL	1
B1 - C2	MEC148171	ILEVEL CABLE,ASSY,W/MOUNTING BLOCK,TRU-BALANCE 3 POWER ADJUSTABLE SEAT LIFT W/ILEVEL	1
B1	MEC146025	CABLE PUSH BLOCK ASSEMBLY	1
C1 - C2	MEC148172	ILEVEL CABLE,ASSY,TRU-BALANCE 3 POWER ADJUSTABLE SEAT LIFT W/ILEVEL	1
C1	MEC145589	CABLE,ASSY,ILEVEL SUSPENSION LOCKOUT	2
C2	MEC147688	ILEVEL CABLE FITTING SPACER	2

3.3 Q6 Edge 3 Stretto

A1 - B3	Curtis Electronics
Complete Q6 Edge 3 Stretto I-Level Base Component Assy	
- Does Not include the Cable Block & Cable Assy's.	

Cable Block & Cable Assy's



Notes:

- The Motor and Suspension Assy's are omitted from the illustration for clarity. They can remain installed for the removal or installation of the I-Level Base Components.
- Right side mounting is shown. The left side mounting mirrors the right side.
- Only items with callouts are available for replacement. Individual components are contained within the assy's.
- When servicing I-Level Base Components, both the left and right sides must be replaced.

Note: The sloped edges on the I-Level Caster Backing Plate must be facing up.

Suspension Lock "Y" Harness
A5
To I-Level Intermediate Harness
Curtis Electronics

Suspension Limiter Assy's
A1 Right
A2 Left
Includes: B1, B2, & B3

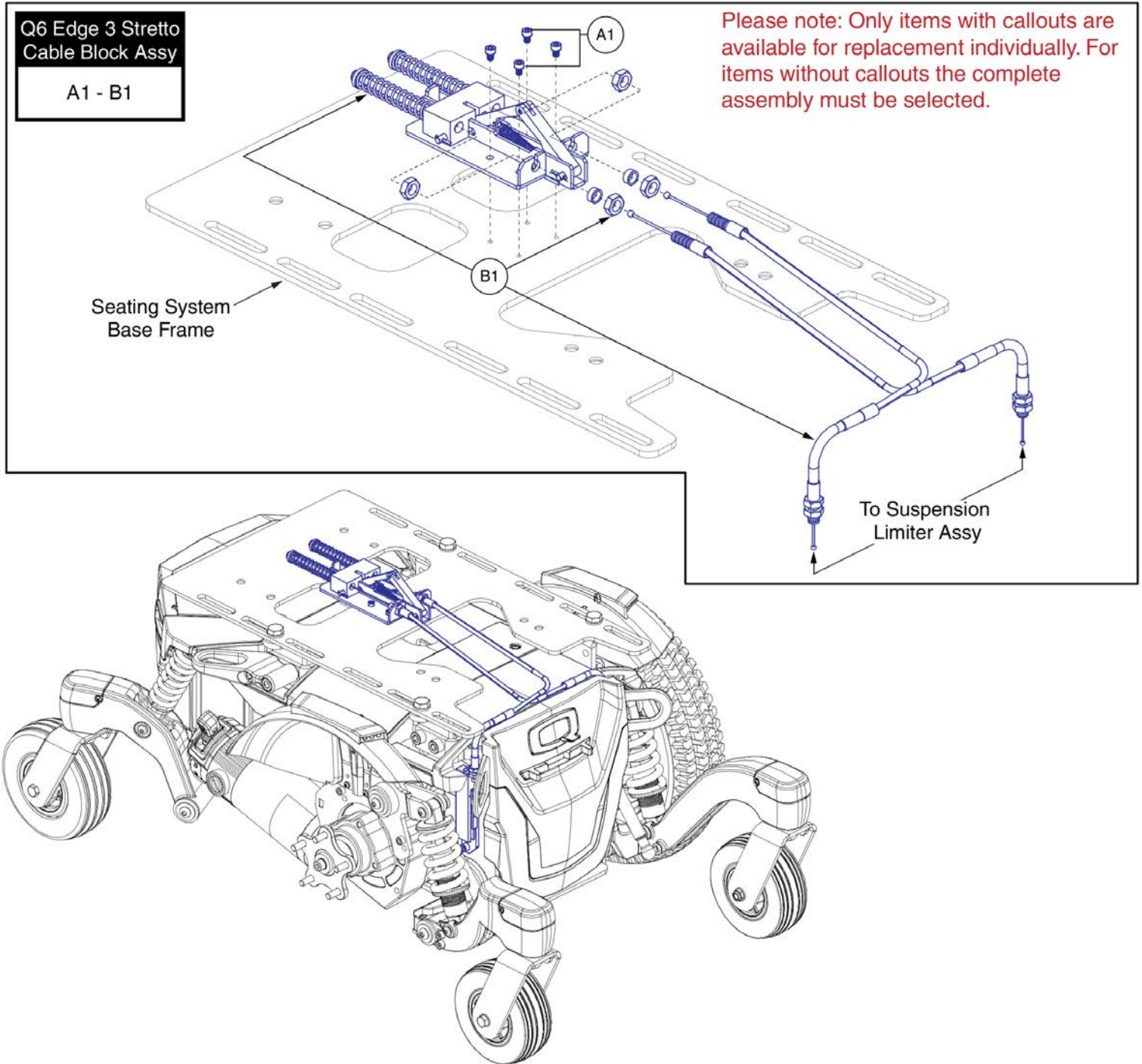
Caster Arm Stop Block Assy's	A3 Right
	A4 Left

Side Cover Decals	A6

Tie Wraps
A7

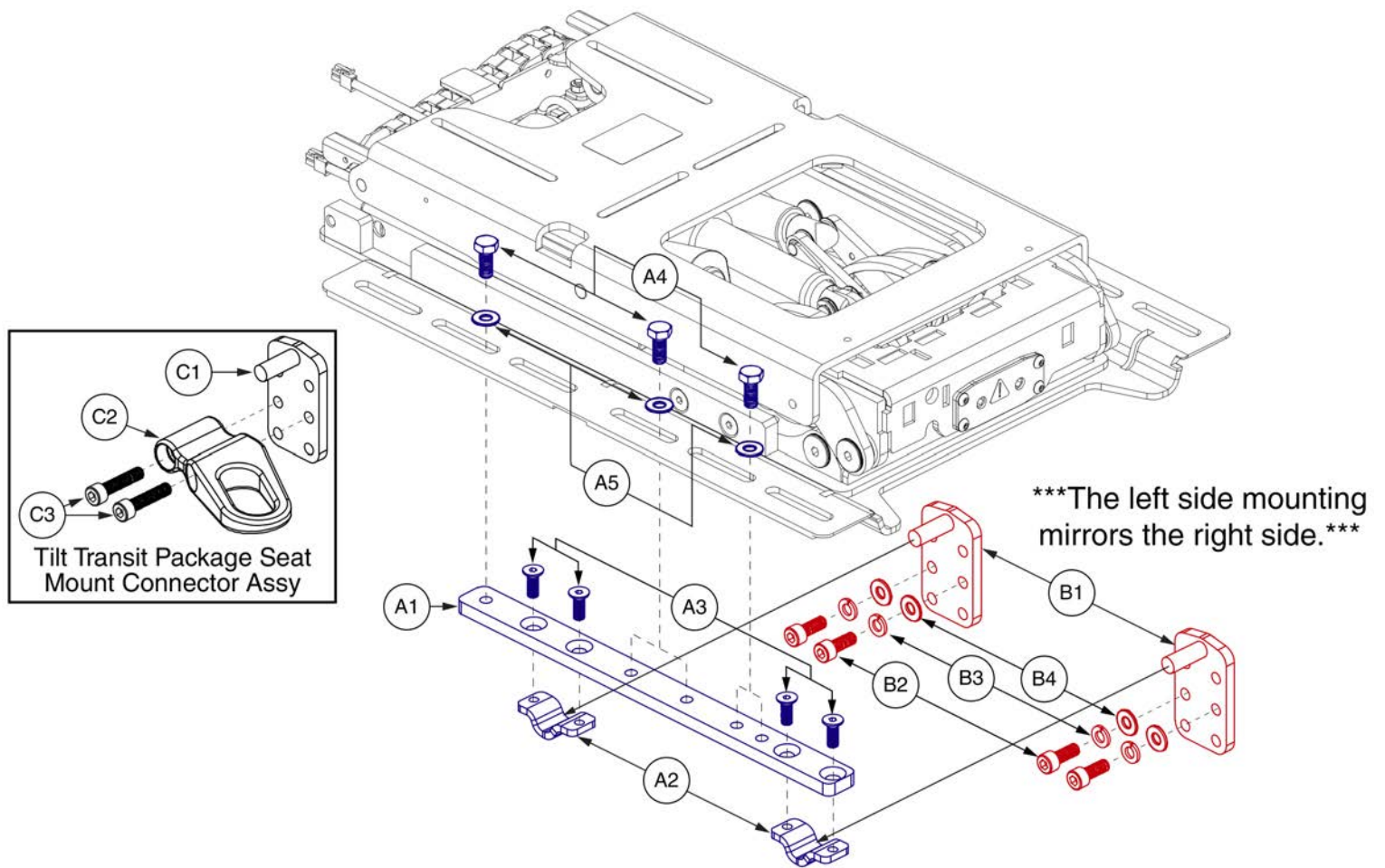
Item	Part No.	Name	Qty
A1 - B3	MEC1900823	ILEVEL,ASSY,Q6EDGE 3 STRETTO	1
A1	MEC1900337	ILEVEL ATTACHMENT ASSEMB, RIGHT	1
A2	MEC1900336	ILEVEL ATTACHMENT ASSEMB, LEFT	1
A3	MEC1900335	RIGHT CASTER ARM ILEVEL ASSM	1
A4	MEC1900333	LEFT CASTER ARM ILEVEL ASSM	1
A5	ELE145674	HARNES,ILEVEL BASE SUSPENSION LOCK SIGNAL CURTIS,Q6EDGE	1
A6	LAB1906474	DECAL, I-LEVEL SIDE RAIL LABEL	2
A7	PLSTIE1004	TIE WRAP,BLACK,8"	2
B1	MEC1900288	ILEVEL SWITCH PLATE, RIGHT	1
B2	MEC1810306	ILEVEL, SWITCH PLATE, LEFT	1
B3	HDW154800	SCREW, FLAT HEAD, M4X0.7 X 10, ISO 10642, CL 10.9, BZ, PVTP	2

3.3 Q6 Edge 3 Stretto



Item	Part No.	Name	Qty
A1 - B1	MEC1906776	ILEVEL,ASSY,TRU-BALANCE 3 POWER ADJUSTABLE SEAT LIFT W/ILEVEL,STRETTO	1
A1	HDW147454	SCREW,SHCS,M4-0.7 X 6MM LG,CLASS 10.9,BLACK ZINC,NYLON PATCH	4
B1	MEC148171	ILEVEL CABLE,ASSY,W/MOUNTING BLOCK,TRU-BALANCE 3 POWER ADJUSTABLE SEAT LIFT W/ILEVEL	1

4. Power Base Interface Assy's (REAC L&T)

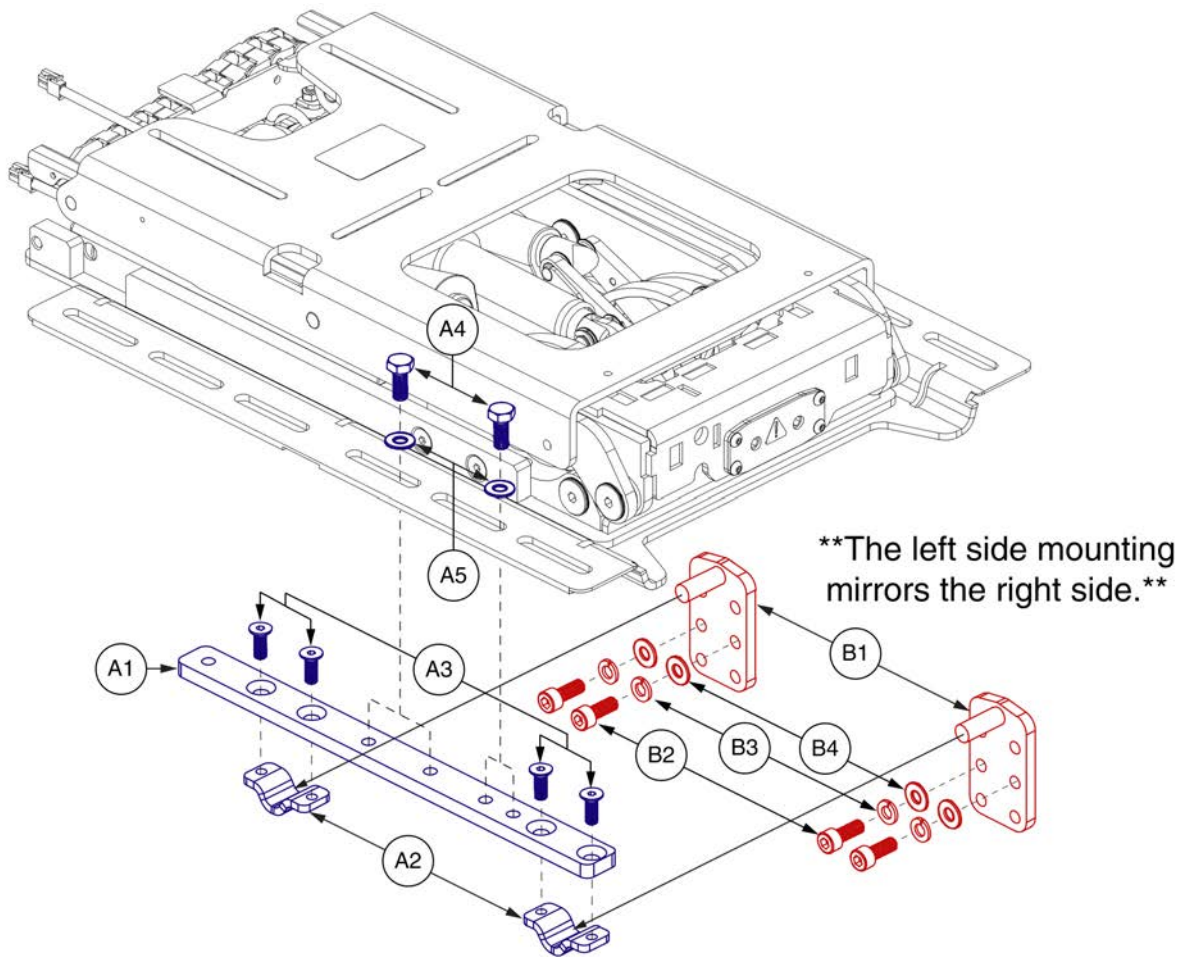


Angle Adjustable Seat Towers, TB3 REAC Lift



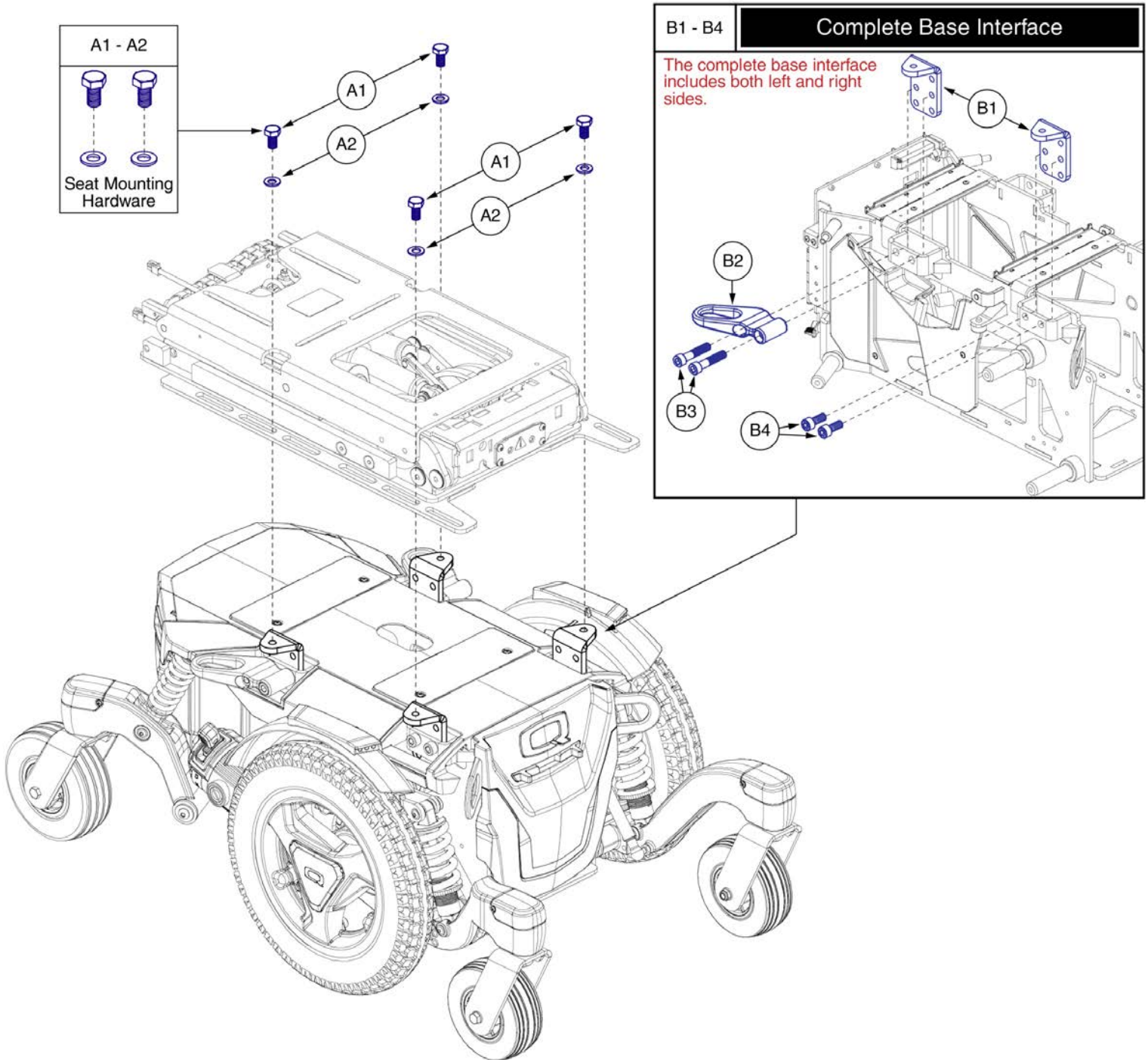
Item	Part No.	Name	Qty
A1 - A5	HDW145339	HARDWARE,ASSY,ANGLE ADJUSTABLE,TRU-BALANCE 3	1
A1	MEC145322	INTERFACE SLIP PLATE,ISO	1
A2	MEC131180	SEATING INTERFACE CLAMP,TRU-BALANCE 3	2
A3	SCRSHFH1203	SCREW,FLAT HEAD,M8X1.25 X 20,10.9,BZ	4
A4	HDW120048	SCREW,HHCS,BLACK ZINC,M10-1.5 X 20MM,GR 10.9,W/PATCH	3
A5	WASMETR1031	WASHER,FLAT,10.5 ID X 20 OD X 2 THK,BZ	3
B1 - B4	MEC133591	SEAT MOUNT CONNECTOR,ASSY,TB3 TILT,METRIC	1
B1	MEC131182	MOUNTING BRACKET,SEAT INTERFACE,TRU-BALANCE 3	1
B2	SCR8110003	SCREW, SOCKET HEAD, M10X1.5 X 25, ISO 4762, CL 12.9, BZ, PVTP	2
B3	WASLOCK1094	WASHER, LOCK, 10.7 ID X 18.1 OD X 2.0 THK, DIN 127B, BZ	2
B4	WASMETR1031	WASHER,FLAT,10.5 ID X 20 OD X 2 THK,BZ	2
C1 - C3	MEC131902	SEAT MOUNT CONNECTOR,ASSY,TB3 TILT,TRANSIT PACKAGE,METRIC	1
C1	MEC131182	MOUNTING BRACKET,SEAT INTERFACE,TRU-BALANCE 3	4
C2	MEC142133	MOUNTING BRACKET,ASSY,UNIVERSAL TRANSIT SECUREMENT LOOP W/DECALS	4
C3	HDW142810	SCREW, SOCKET HEAD, M10 X 50, ISO 4762, CL 12.9, BZ, PVTP	8

4. Power Base Interface Assy's (REAC L&T)



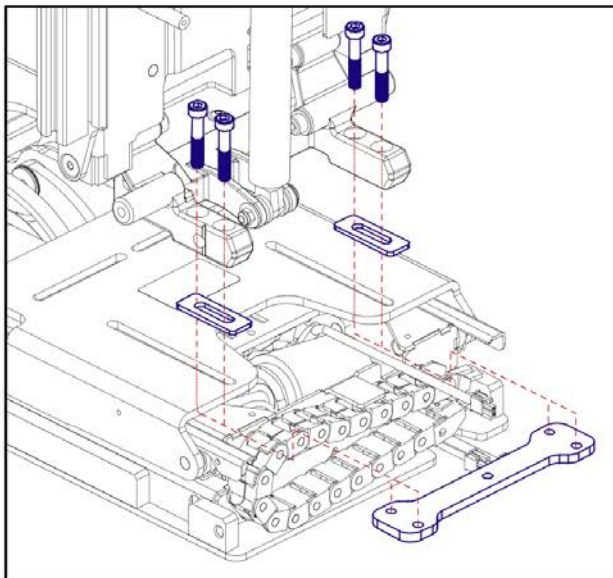
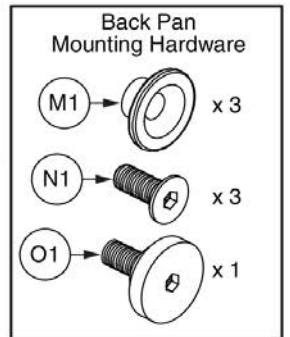
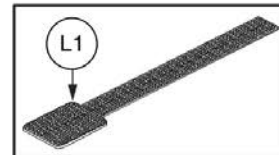
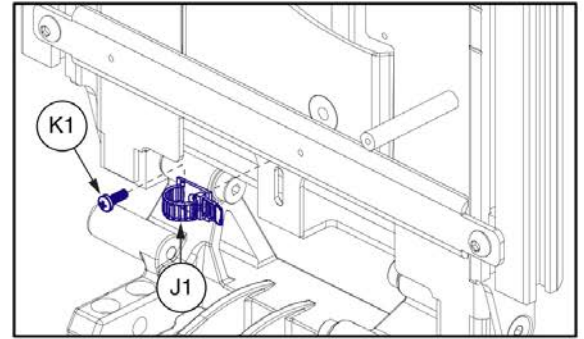
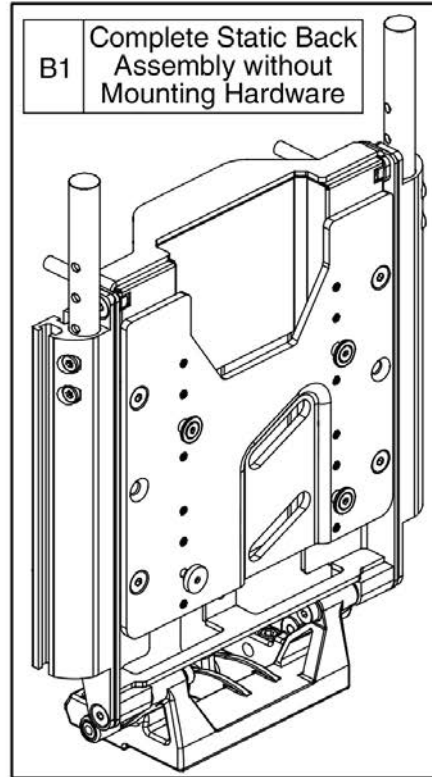
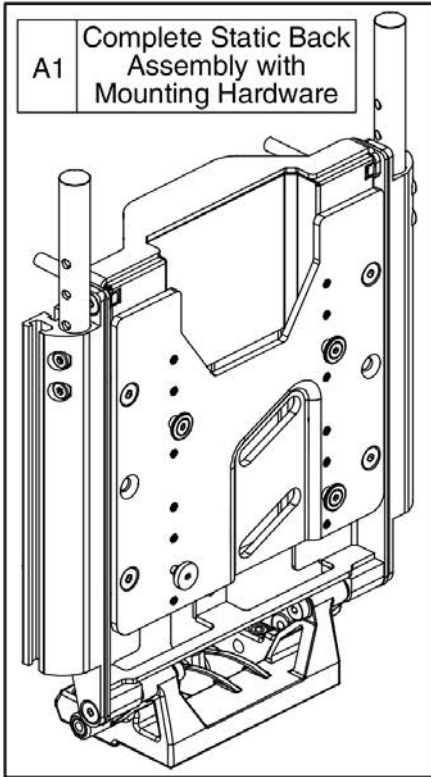
Item	Part No.	Name	Qty
A1 - A5	HDW1801739	HARDWARE,ASSY,ANGLE ADJUSTABLE,ILEVEL CAPTAINS SEAT	1
A1	MEC145322	INTERFACE SLIP PLATE,ISO	1
A2	MEC131180	SEATING INTERFACE CLAMP,TRU-BALANCE 3	2
A3	SCRSHFH1203	SCREW,FLAT HEAD,M8X1.25 X 20,10.9,BZ	4
A4	HDW120048	SCREW,HHCS,BLACK ZINC,M10-1.5 X 20MM,GR 10.9,W/PATCH	2
A5	WASMETR1031	WASHER,FLAT,10.5 ID X 20 OD X 2 THK,BZ	2
B1 - B4	MEC133591	SEAT MOUNT CONNECTOR,ASSY,TB3 TILT,METRIC	1
B1	MEC131182	MOUNTING BRACKET,SEAT INTERFACE,TRU-BALANCE 3	1
B2	SCR8110003	SCREW, SOCKET HEAD, M10X1.5 X 25, ISO 4762, CL 12.9, BZ, PVTP	2
B3	WASLOCK1094	WASHER, LOCK, 10.7 ID X 18.1 OD X 2.0 THK, DIN 127B, BZ	2
B4	WASMETR1031	WASHER,FLAT,10.5 ID X 20 OD X 2 THK,BZ	2

4. Power Base Interface Assy's (REAC L&T)

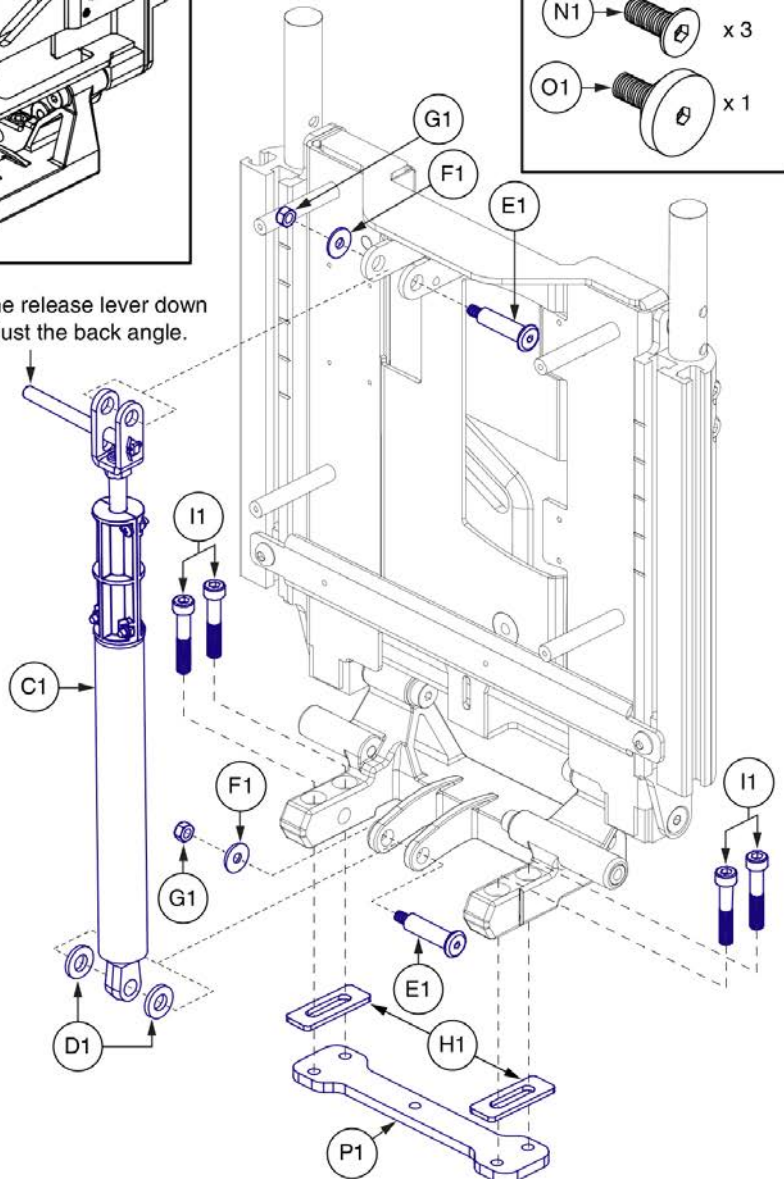


Item	Part No.	Name	Qty
A1 - A2	HDW136696	HARDWARE,ASSY,FIXED,SEAT ONLY,TRU-BALANCE 3	2
A1	HDW120048	SCREW,HHCS,BLACK ZINC,M10-1.5 X 20MM,GR 10.9,W/PATCH	2
A2	WASMETR1031	WASHER,FLAT,10.5 ID X 20 OD X 2 THK,BZ	2
B1 - B4	MEC1900194	SEAT INTERFACE,ASSY,CONTOUR / TB3 SEAT,EDGE MINI	1
B1	BRK8110003	MOUNTING BRACKET,SEAT INTERFACE,UNIVERSAL,BRK8110003	4
B2	MEC142133	MOUNTING BRACKET,ASSY,UNIVERSAL TRANSIT SECUREMENT LOOP W/DECALS	2
B3	HDW142810	SCREW, SOCKET HEAD, M10 X 50, ISO 4762, CL 12.9, BZ, PVTP	4
B4	SCR8110003	SCREW, SOCKET HEAD, M10X1.5 X 25, ISO 4762, CL 12.9, BZ, PVTP	4

5. Seat Back Assy's (REAC L&T)



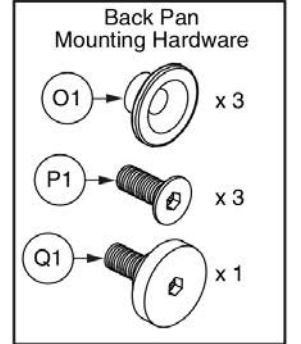
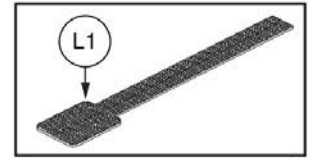
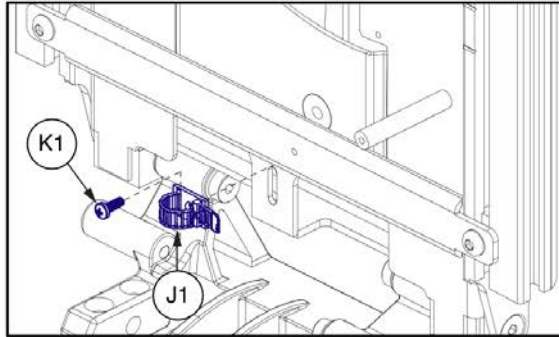
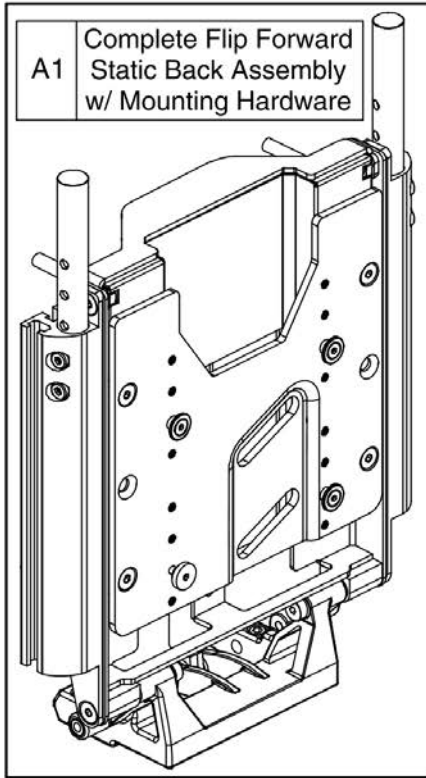
Push the release lever down to adjust the back angle.



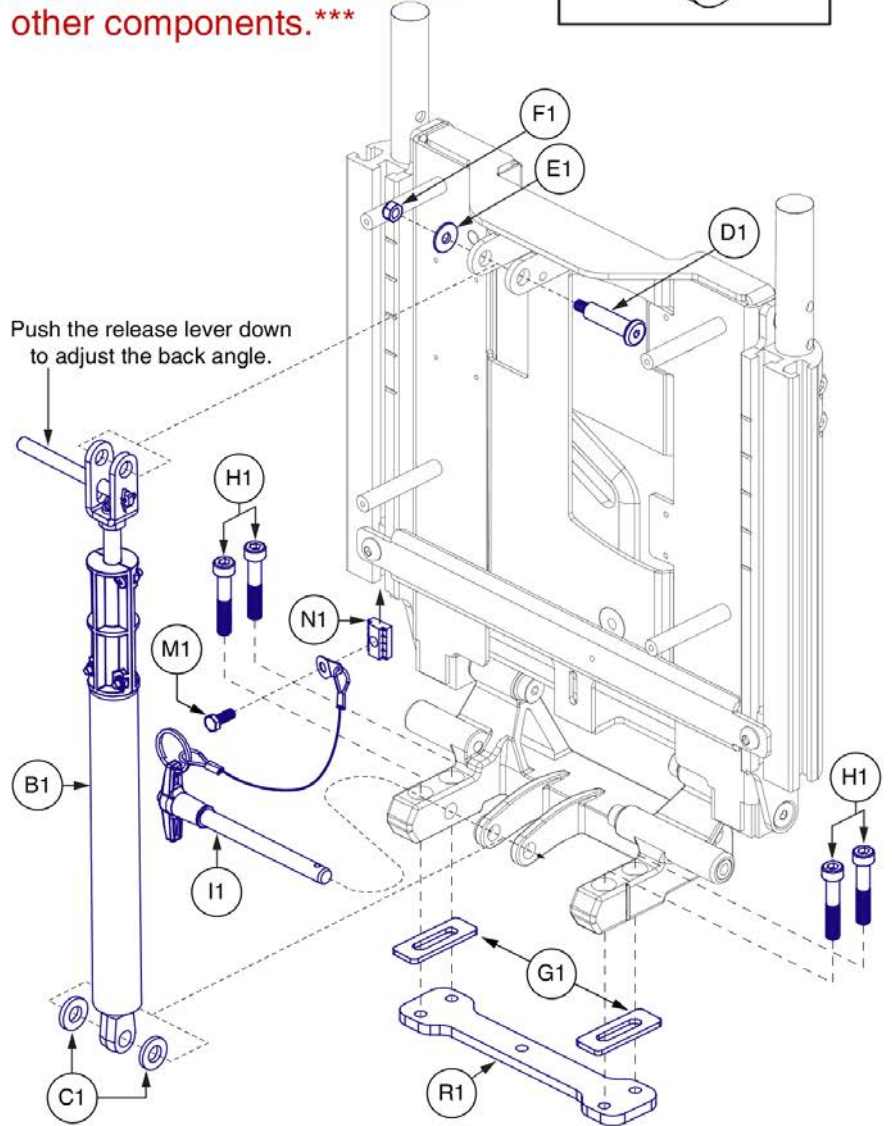
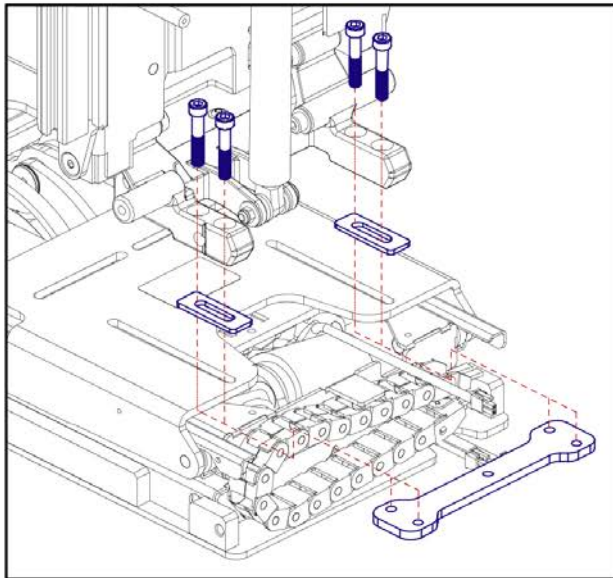
Only components with callouts are available for replacement. The complete assembly must be selected for all other components.

Item	Part No.	Name	Qty
A1	MEC148116	STATIC BACK,ASSY,MAIN,NON SHEAR REDUCTION,TRU-BALANCE 3 REAC LIFT,W/MOUNTING HARDWARE	1
B1	MEC124846	STATIC BACK,ASSY,MAIN,NON SHEAR REDUCTION,TRU-BALANCE 3	1
C1	MEC125176	LOCKABLE GAS SPRING,ASSY,STATIC BACK,TRU-BALANCE 3	1
D1	MEC122963	LIMIT STOP CUSHION,20MM OD X 10MM ID X 3MM THK	2
E1	MEC131121	BOLT,PIVOT ROD,TRU-BALANCE 3 RECLINE	2
F1	WASMETR1083	WASHER,FLAT,BLACK ZINC,STEEL,6.4MM ID X 18MM OD X 1.6MM TH	2
G1	NUTNYLK1019	NUT,NYLOCK,BLACK ZINC,M6-1.0	2
H1	MEC140345	TILT TO BACK SPACER PLATE	2
I1	HDW138550	SCR,SHCS,M8-1.25 X 35MM,CLASS 12.9,BZ,PATCH IFI-524	4
J1	HDW135288	WIRE CLIP,REUSABLE,BLACK,PLASTIC,(MICRO PLASTICS:NM22LCC1000B)	1
K1	SCRPPTC1021	SCREW, PPH,BZ,#8 X 1/2",THREAD CUTTING,TYPE 25	1
L1	VELDBLS1001	REUSABLE FASTENER,1/2"W X 8"L,HOOK & LOOP	1
M1	FRM8120061	BUTTON,SEAT BACK PAN,TRU-BALANCE 3 RECLINE	3
N1	SCR8120019	SCREW,SHFH,BLACK ZINC,M6-1.0 X 16MM,CLASS 10.9	3
O1	SCR8120015	SCREW,THUMB,BLACK,CUSTOM,M6-1.0	1
P1	MEC145365	INTERFACE PLATE,TRU-BALANCE 3 LIFT	1

5. Seat Back Assy's (REAC L&T)



Only components with callouts are available for replacement. The complete assembly must be selected for all other components.

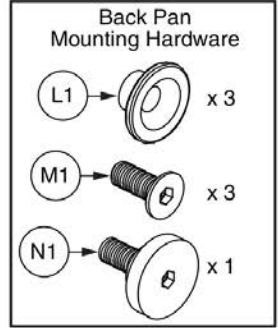
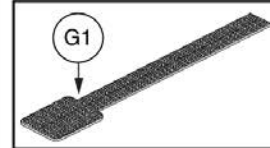
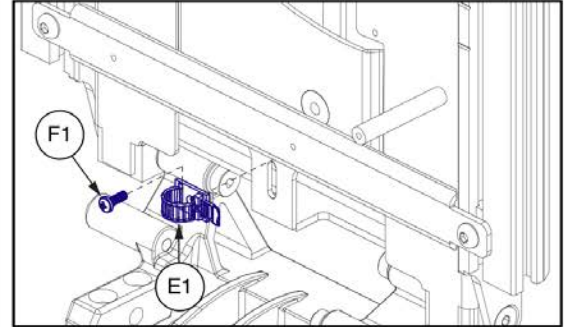
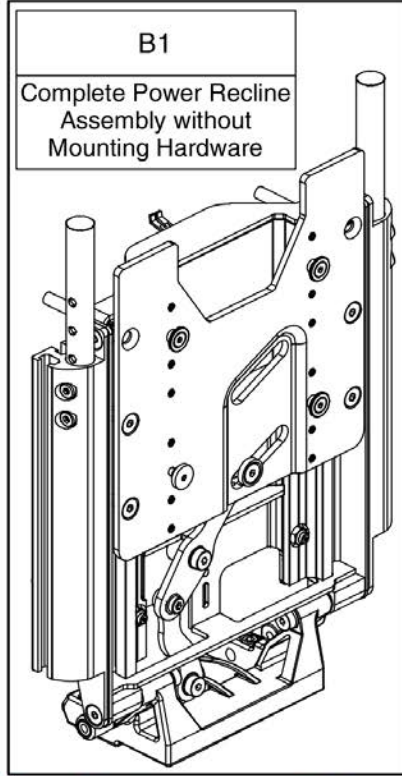
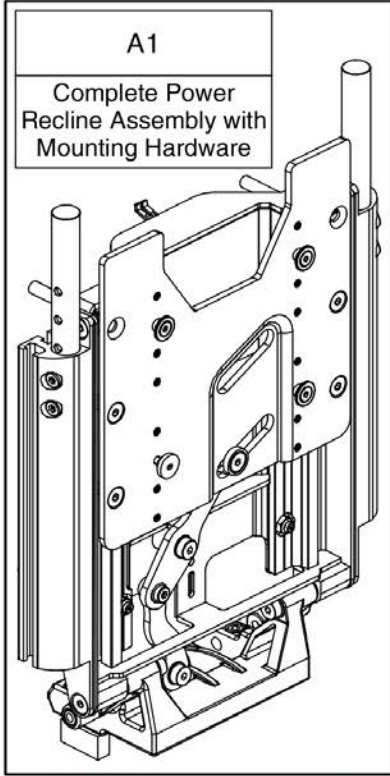


Static, Flip Forward Back, REAC Lift

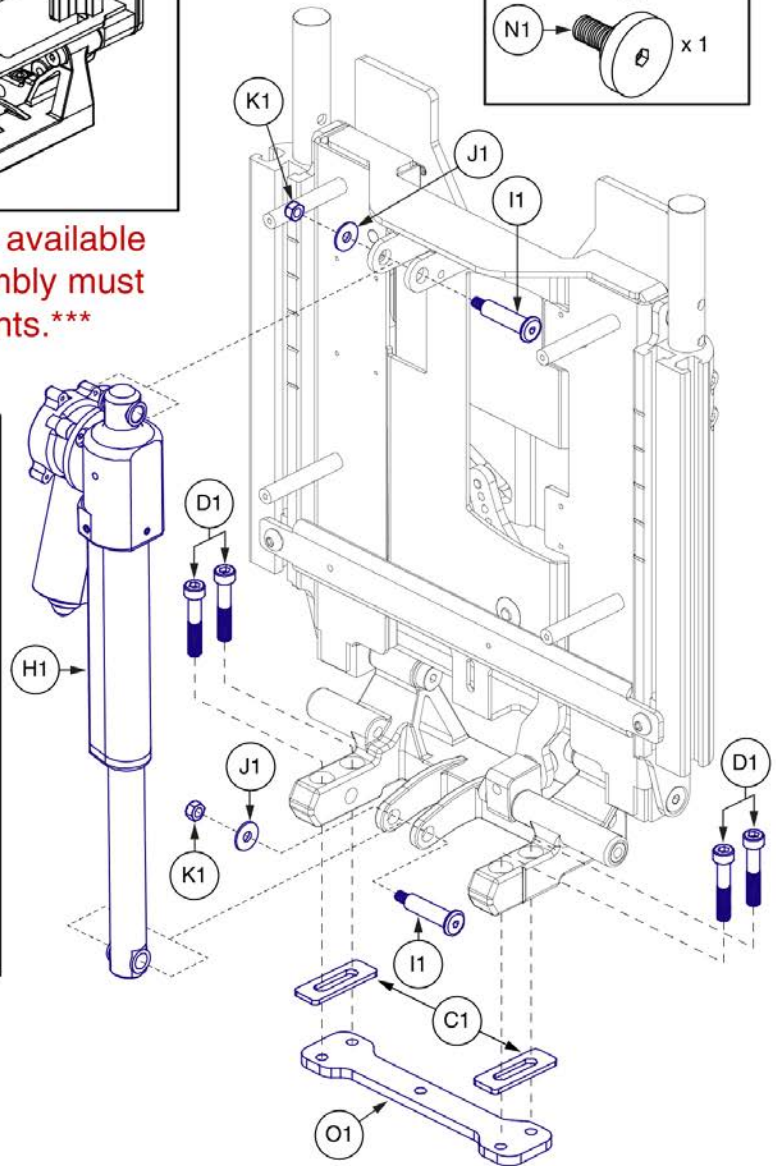
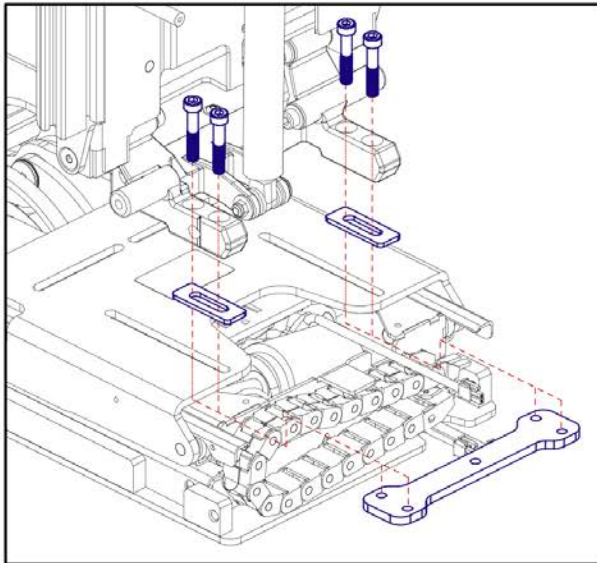


Item	Part No.	Name	Qty
A1	MEC148117	STATIC BACK,ASSY,FLIP FORWARD,TRU-BALANCE 3 REAC LIFT,W/MOUNTING HARDWARE	1
B1	MEC125176	LOCKABLE GAS SPRING,ASSY,STATIC BACK,TRU-BALANCE 3	1
C1	MEC122963	LIMIT STOP CUSHION,20MM OD X 10MM ID X 3MM THK	2
D1	MEC131121	BOLT,PIVOT ROD,TRU-BALANCE 3 RECLINE	1
E1	WASMETR1083	WASHER,FLAT,BLACK ZINC,STEEL,6.4MM ID X 18MM OD X 1.6MM TH	1
F1	NUTNYLK1019	NUT,NYLOCK,BLACK ZINC,M6-1.0	1
G1	MEC140345	TILT TO BACK SPACER PLATE	2
H1	HDW138550	SCR,SHCS,M8-1.25 X 35MM,CLASS 12.9,BZ,PATCH IFI-524	4
I1	HDW131958	PIN,KWIK-LOK,T-HANDLE,M10 X 90,W/152MM BLACK LANYARD	1
J1	HDW135288	WIRE CLIP,REUSABLE,BLACK,PLASTIC,(MICRO PLASTICS:NM22LCC1000B)	1
K1	SCRPPTC1021	SCREW, PPH,BZ,#8 X 1/2",THREAD CUTTING,TYPE 25	1
L1	VELDBLS1001	REUSABLE FASTENER,1/2"W X 8"L,HOOK & LOOP	1
M1	SCRHHCS1412	SCREW, HEX HEAD, M8X1.25 X 16, ISO 4014, CL 10.9, BZ, PVTP	1
N1	NUT8120005	NUT,T-SLOT,BLACK,M8-1.25	1
O1	FRM8120061	BUTTON,SEAT BACK PAN,TRU-BALANCE 3 RECLINE	3
P1	SCR8120019	SCREW,SHFH,BLACK ZINC,M6-1.0 X 16MM,CLASS 10.9	3
Q1	SCR8120015	SCREW,THUMB,BLACK,CUSTOM,M6-1.0	1
R1	MEC145365	INTERFACE PLATE,TRU-BALANCE 3 LIFT	1

5. Seat Back Assy's (REAC L&T)



*****Only components with callouts are available for replacement. The complete assembly must be selected for all other components.*****

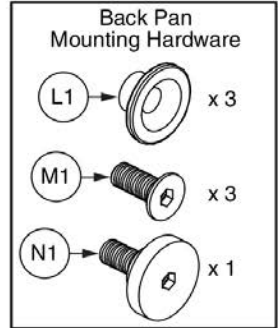
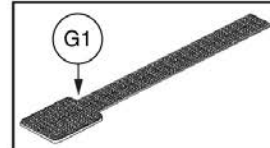
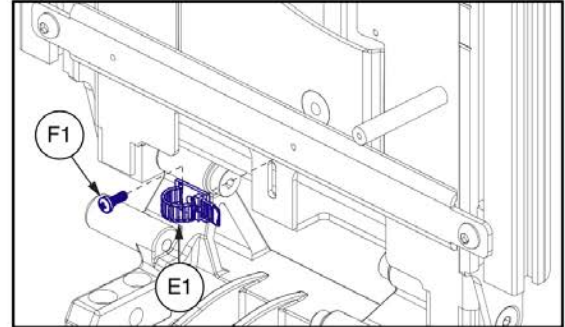
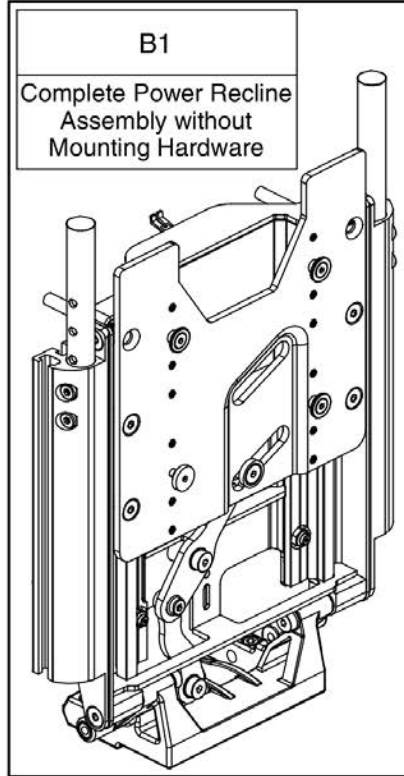
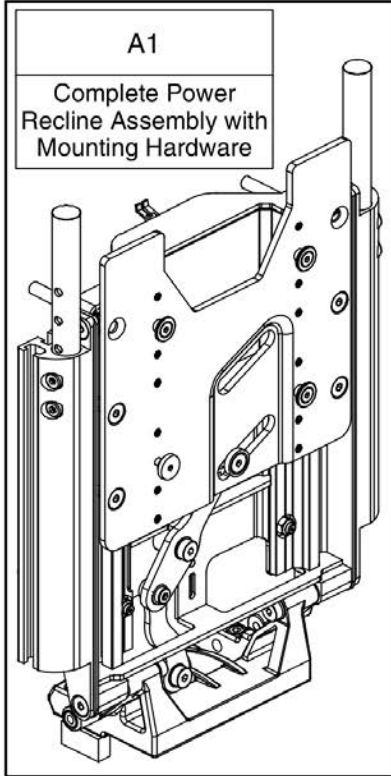


Power Recline Back, REAC Lift

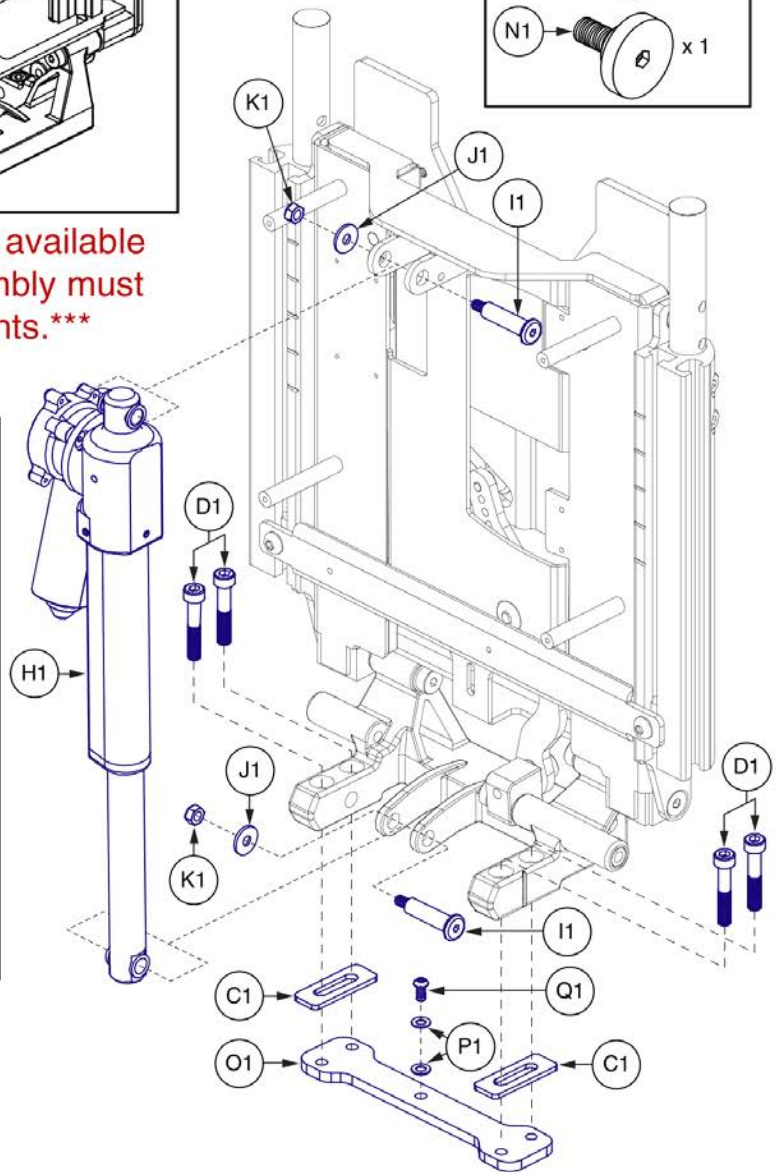
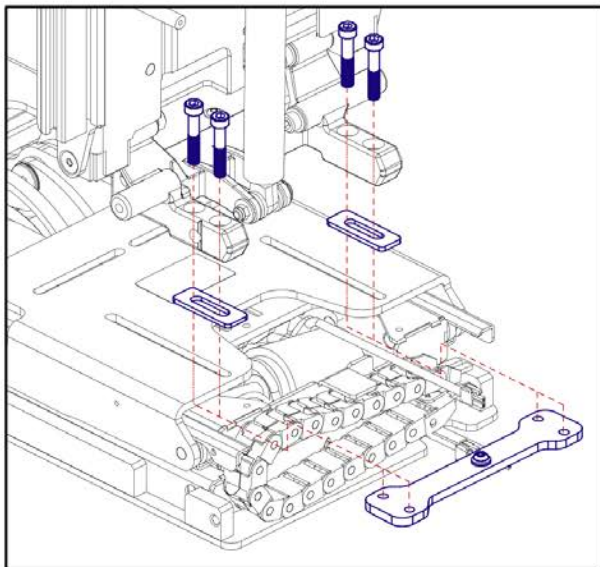


Item	Part No.	Name	Qty
A1	MEC148118	POWER RECLINE BACK,ASSY,SHEAR REDUCTION,TRU-BALANCE 3 RECLINE W/REAC LIFT,W/MOUNTING HARDWARE	1
B1	FRMASMB7120047	POWER RECLINE BACK,ASSY,SHEAR REDUCTION,TB3 RECLINE	1
C1	MEC140345	TILT TO BACK SPACER PLATE	2
D1	HDW138550	SCR,SHCS,M8-1.25 X 35MM,CLASS 12.9,BZ,PATCH IFI-524	4
E1	HDW135288	WIRE CLIP,REUSABLE,BLACK,PLASTIC,(MICRO PLASTICS:NM22LCC1000B)	1
F1	SCRPPTC1021	SCREW, PPH,BZ,#8 X 1/2",THREAD CUTTING,TYPE 25	1
G1	VELDBLS1001	REUSABLE FASTENER,1/2"W X 8"L,HOOK & LOOP	1
H1	ACT8120001	ACTUATOR,LINEAR,TRU BALANCE 3 RECLINE	1
I1	MEC131121	BOLT,PIVOT ROD,TRU-BALANCE 3 RECLINE	2
J1	WASMETR1083	WASHER,FLAT,BLACK ZINC,STEEL,6.4MM ID X 18MM OD X 1.6MM TH	2
K1	NUTNYLK1019	NUT,NYLOCK,BLACK ZINC,M6-1.0	2
L1	FRM8120061	BUTTON,SEAT BACK PAN,TRU-BALANCE 3 RECLINE	3
M1	SCR8120019	SCREW,SHFH,BLACK ZINC,M6-1.0 X 16MM,CLASS 10.9	3
N1	SCR8120015	SCREW,THUMB,BLACK,CUSTOM,M6-1.0	1
O1	MEC145365	INTERFACE PLATE,TRU-BALANCE 3 LIFT	1

5. Seat Back Assy's (REAC L&T)



*****Only components with callouts are available for replacement. The complete assembly must be selected for all other components.*****



Item	Part No.	Name	Qty
A1	MEC148118	POWER RECLINE BACK,ASSY,SHEAR REDUCTION,TRU-BALANCE 3 RECLINE W/REAC LIFT,W/MOUNTING HARDWARE	1
B1	FRMASMB7120047	POWER RECLINE BACK,ASSY,SHEAR REDUCTION,TB3 RECLINE	1
C1	MEC140345	TILT TO BACK SPACER PLATE	2
D1	HDW138550	SCR,SHCS,M8-1.25 X 35MM,CLASS 12.9,BZ,PATCH IFI-524	4
E1	HDW135288	WIRE CLIP,REUSABLE,BLACK,PLASTIC,(MICRO PLASTICS:NM22LCC1000B)	1
F1	SCRPPTC1021	SCREW, PPH,BZ,#8 X 1/2",THREAD CUTTING,TYPE 25	1
G1	VELDBLS1001	REUSABLE FASTENER,1/2"W X 8"L,HOOK & LOOP	1
H1	ACT8120001	ACTUATOR,LINEAR,TRU BALANCE 3 RECLINE	1
I1	MEC131121	BOLT,PIVOT ROD,TRU-BALANCE 3 RECLINE	2
J1	WASMETR1083	WASHER,FLAT,BLACK ZINC,STEEL,6.4MM ID X 18MM OD X 1.6MM TH	2
K1	NUTNYLK1019	NUT,NYLOCK,BLACK ZINC,M6-1.0	2
L1	FRM8120061	BUTTON,SEAT BACK PAN,TRU-BALANCE 3 RECLINE	3
M1	SCR8120019	SCREW,SHFH,BLACK ZINC,M6-1.0 X 16MM,CLASS 10.9	3
N1	SCR8120015	SCREW,THUMB,BLACK,CUSTOM,M6-1.0	1
O1	MEC145365	INTERFACE PLATE,TRU-BALANCE 3 LIFT	1
P1	WASMETR1010	WASHER,FLAT,BLACK ZINC,8.4MM ID X 16MM OD X 1.6MM THK,ISO 7089	2
Q1	HDW154279	SCREW,BUTTON HEAD, HEX SOCKET,M8X1.25 X 10,ISO 7380 CLASS 10.9,ASTM F1941M FE/ZN 8E,PATCH IFI-524	1

5. Seat Back Assy's (REAC L&T)

Stealth Simple Solutions Adapter Plate

Notes:

A1 Complete Assembly
 Notes: 1, 2, & 3

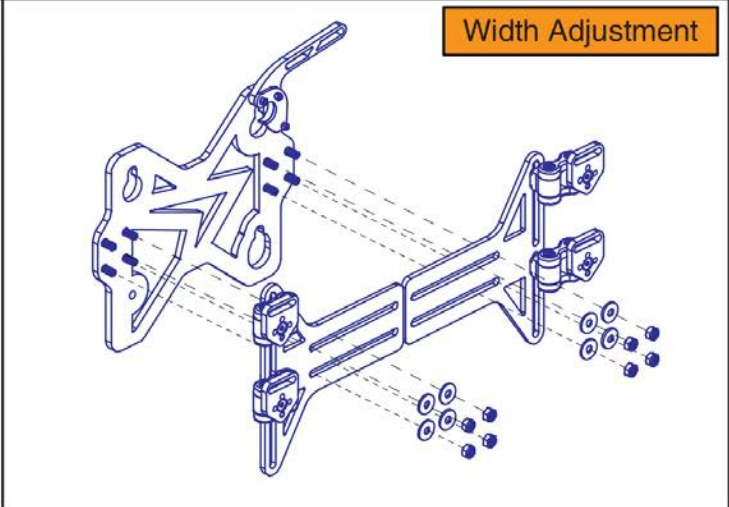
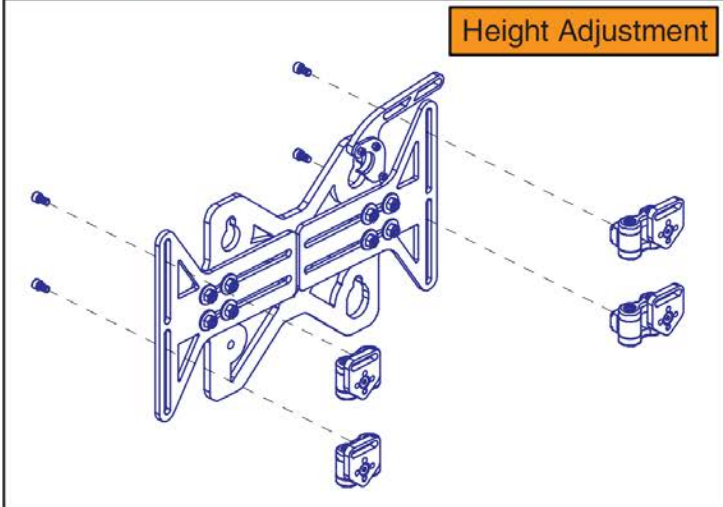
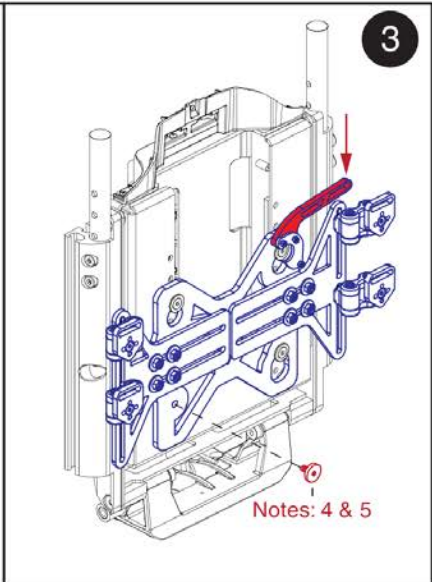
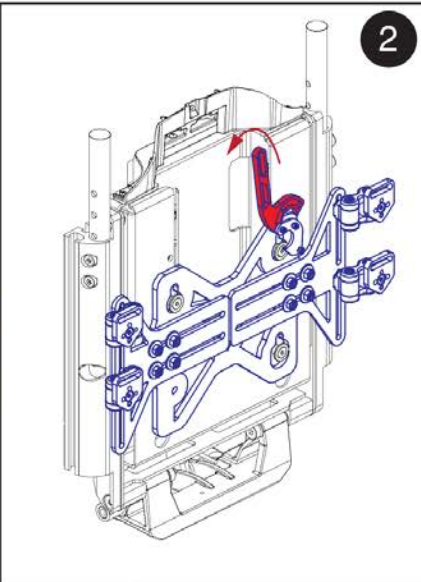
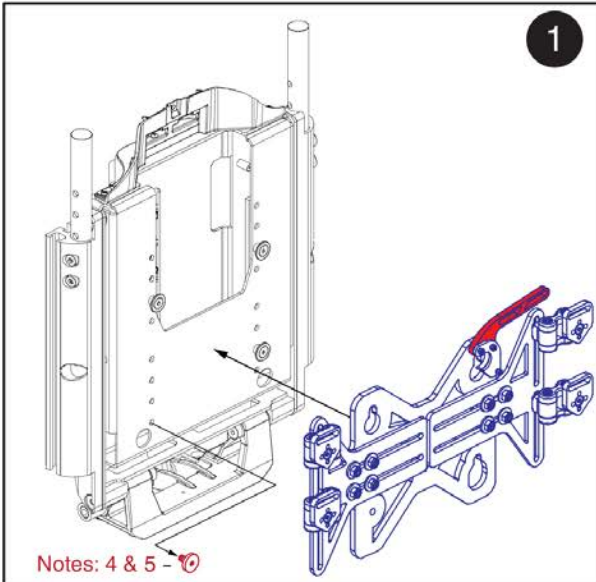
Back Mounting Hardware

Adapter Assembly

Owner's Manual

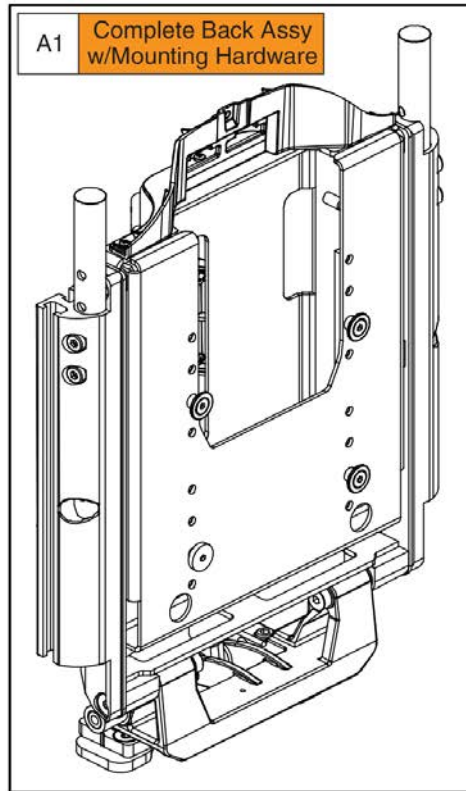
1. Includes the Owner's Manual and Back Mounting Hardware.
 2. For use with all versions of the TB3 Back.
 3. Compatible with back plates that have mounting hole locations spaced between 9 3/4" and 20 5/8" wide.
 4. The thumb screw is part of the TB3 back assembly and not included with the adapter plate A1.
 5. For enhanced securement of the adapter plate to the TB3 back, the thumb screw must be reinserted during installation.
- Contact Technical Service for more information .

Installation and Adjustments

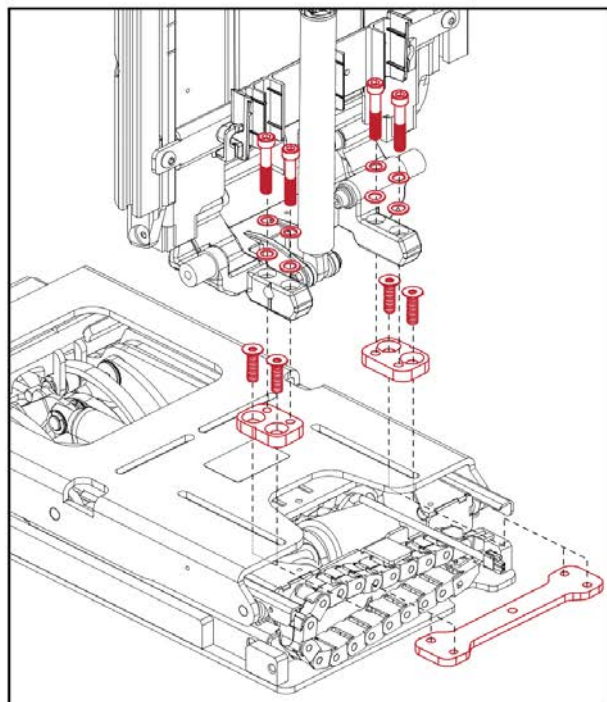
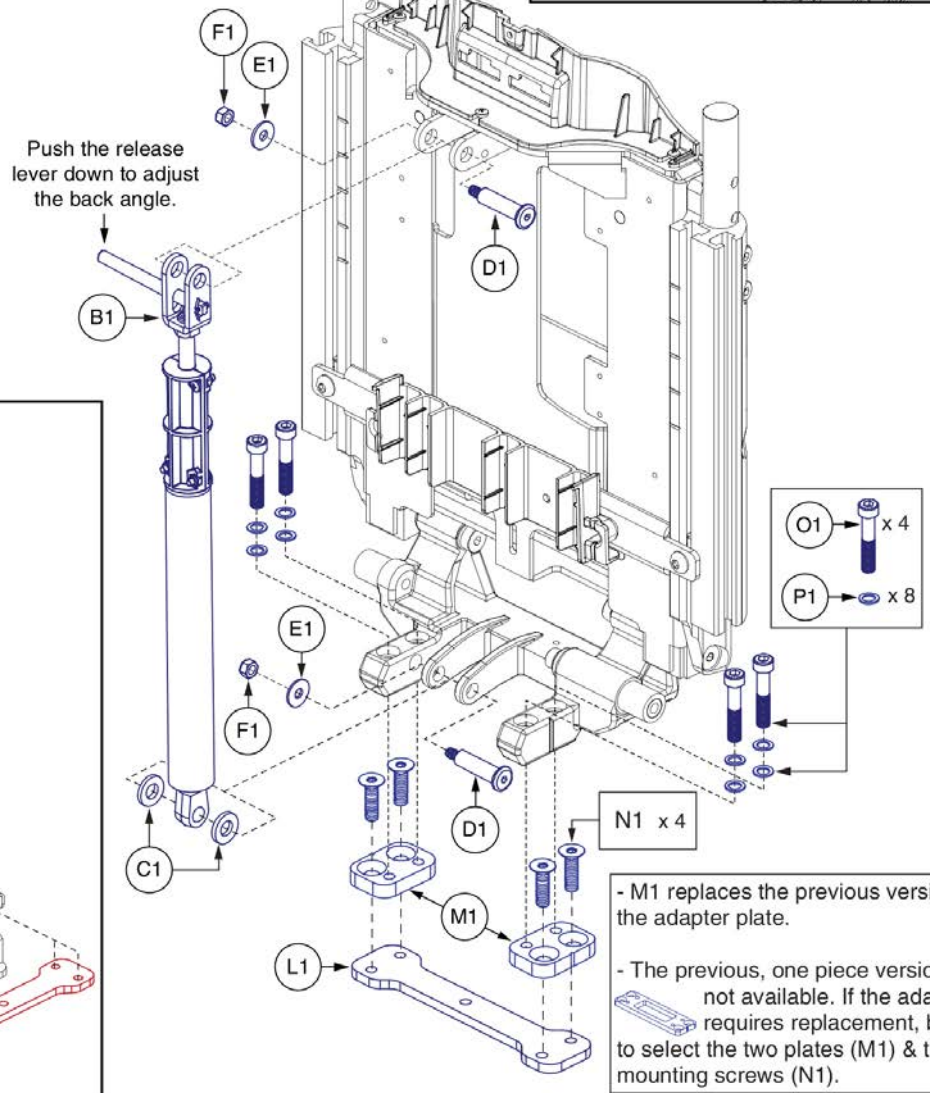
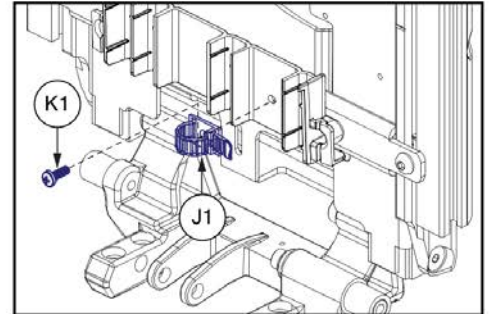
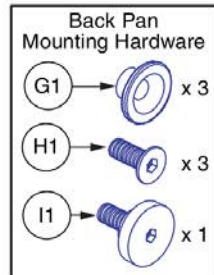


Item	Part No.	Name	Qty
A1	ST-SSAPT4-Q	STEALTH,SIMPLE SOLUTIONS ADAPTER PLATE,12"W-21"W, AFTER MARKET BACK INTEGRATION,TB3/REDESIGNED BACK SPINE	1

6. Seat Back Assy's (REAC L&T) - TB3 Redesigned Back



Only components with callouts are available for replacement. The complete assembly must be selected for all other components.

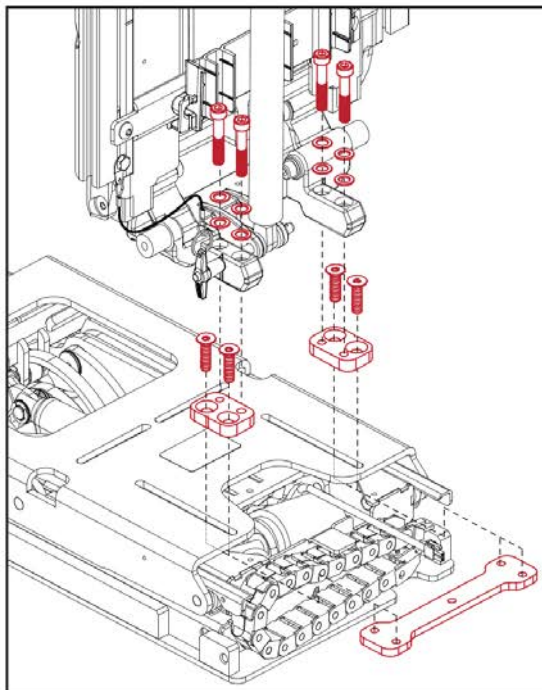
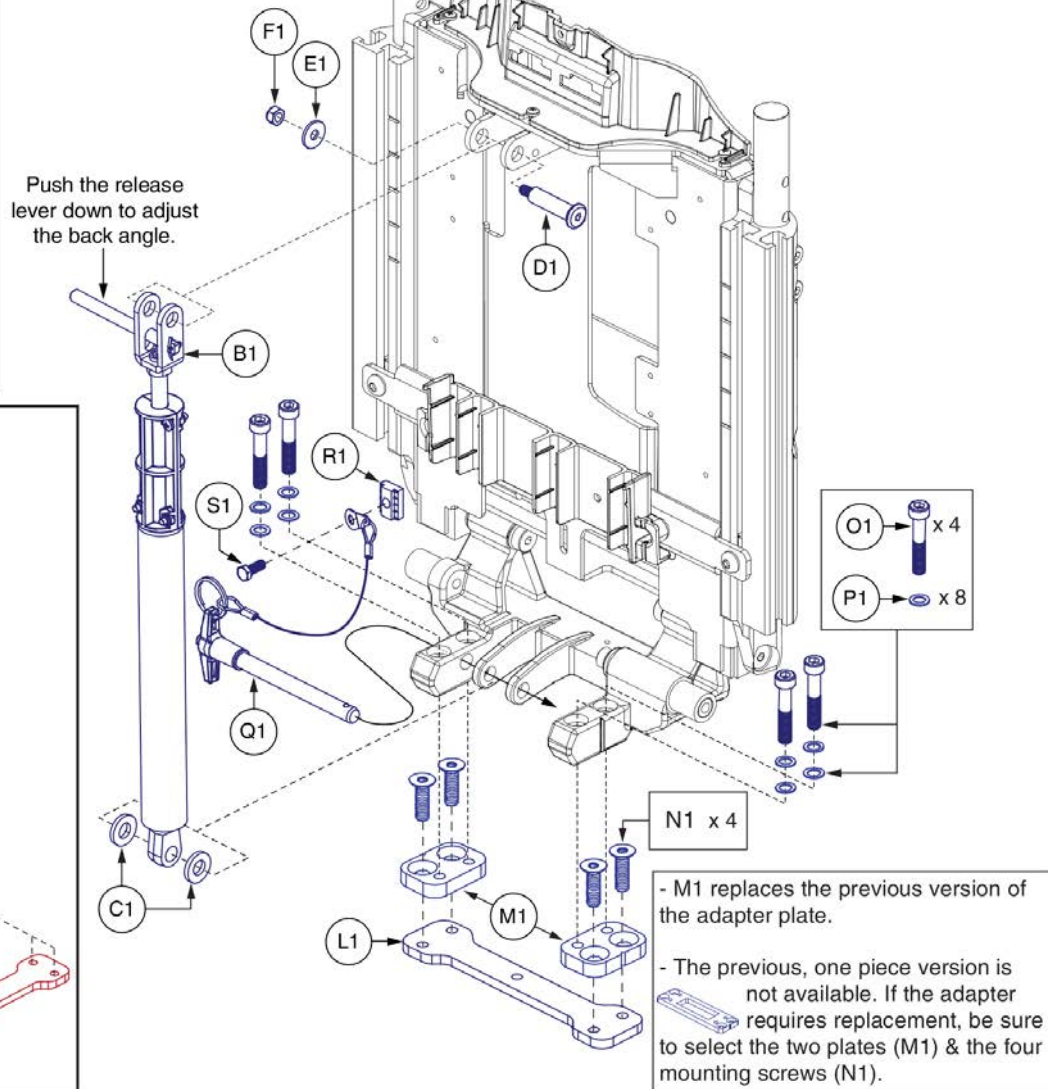
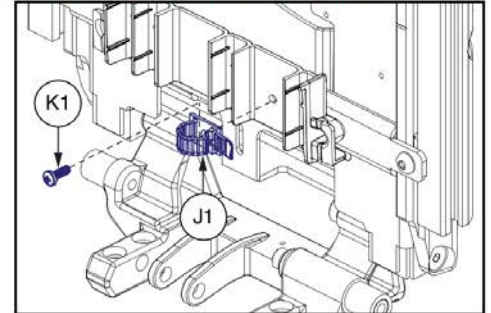
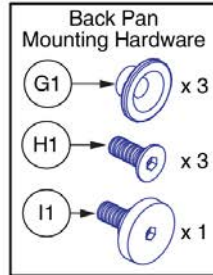
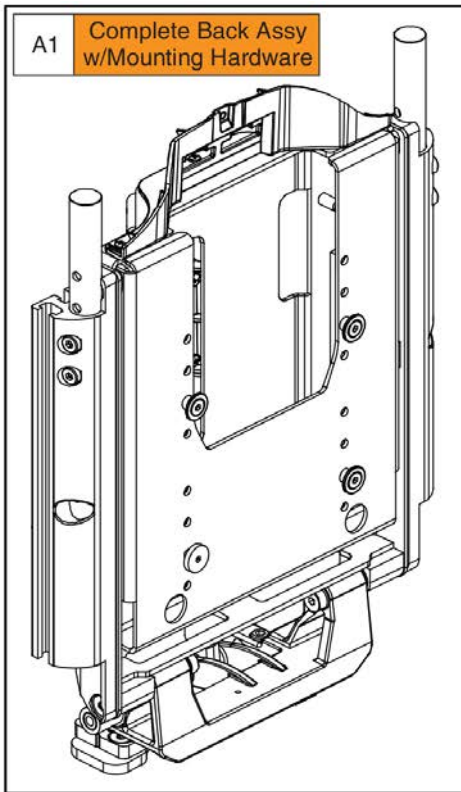


- M1 replaces the previous version of the adapter plate.
 - The previous, one piece version is not available. If the adapter requires replacement, be sure to select the two plates (M1) & the four mounting screws (N1).

Item	Part No.	Name	Qty
A1	MEC1901106	STATIC BACK,ASSY,MAIN,NON SHEAR REDUCTION,REDESIGNED BACK,W/MOUNTING HARDWARE,REAC LIFT	1
B1	MEC125176	LOCKABLE GAS SPRING,ASSY,STATIC BACK,TRU-BALANCE 3	1
C1	MEC122963	LIMIT STOP CUSHION,20MM OD X 10MM ID X 3MM THK	2
D1	MEC131121	BOLT,PIVOT ROD,TRU-BALANCE 3 RECLINE	2
E1	WASMETR1083	WASHER,FLAT,BLACK ZINC,STEEL,6.4MM ID X 18MM OD X 1.6MM TH	2
F1	NUTNYLK1019	NUT,NYLOCK,BLACK ZINC,M6-1.0	2
G1	FRM8120061	BUTTON,SEAT BACK PAN,TRU-BALANCE 3 RECLINE	3
H1	HDW131509	SCREW, FLAT HEAD, M6X1.0 X 18, ISO 10624, CL 10.9, BZ, PVTP	3
I1	HDW1804080	THUMB SCREW, CUSTOM, M6X1.0, TB4	1
J1	HDW135288	WIRE CLIP,REUSABLE,BLACK,PLASTIC,(MICRO PLASTICS:NM22LCC1000B)	1
K1	SCRPPTC1021	SCREW, PPH,BZ,#8 X 1/2",THREAD CUTTING,TYPE 25	1
L1	MEC145365	INTERFACE PLATE,TRU-BALANCE 3 LIFT	1
M1	MEC1805078	ADAPTER PLATE-TB4 BACK TO TB3 TILT	2
N1	HDW144513	SCREW, FLAT HEAD, M8X1.25 X 22, ISO 10642, CL 10.9, BZ, PVTP	4
O1	HDW123425	SCREW, SOCKET HEAD, M8X1.25 X 30, ISO 4762, CL 12.9, BZ, PVTP	4
P1	HDW1908031	WASHER, SHIM, 8.2 ID X 12.7 OD X 1.0 THK, SST (DWG 1908031)	8

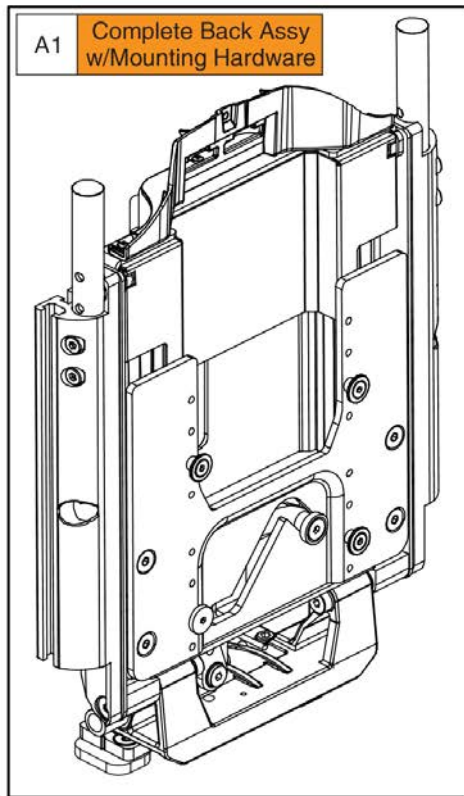
6. Seat Back Assy's (REAC L&T) - TB3 Redesigned Back

Only components with callouts are available for replacement. The complete assembly must be selected for all other components.

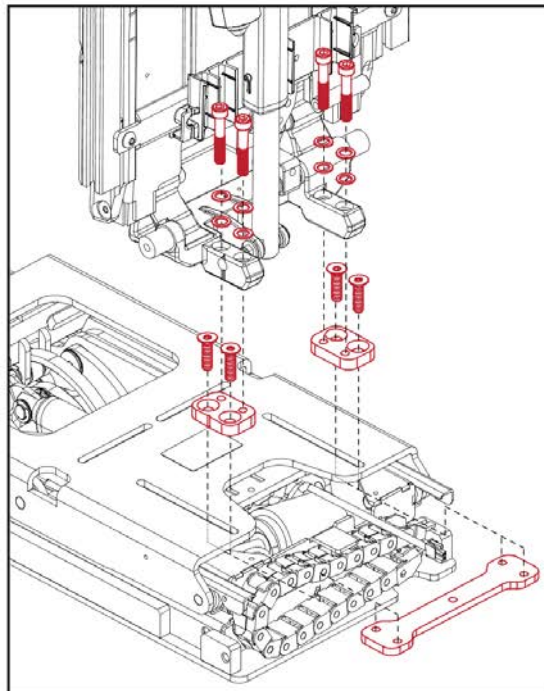
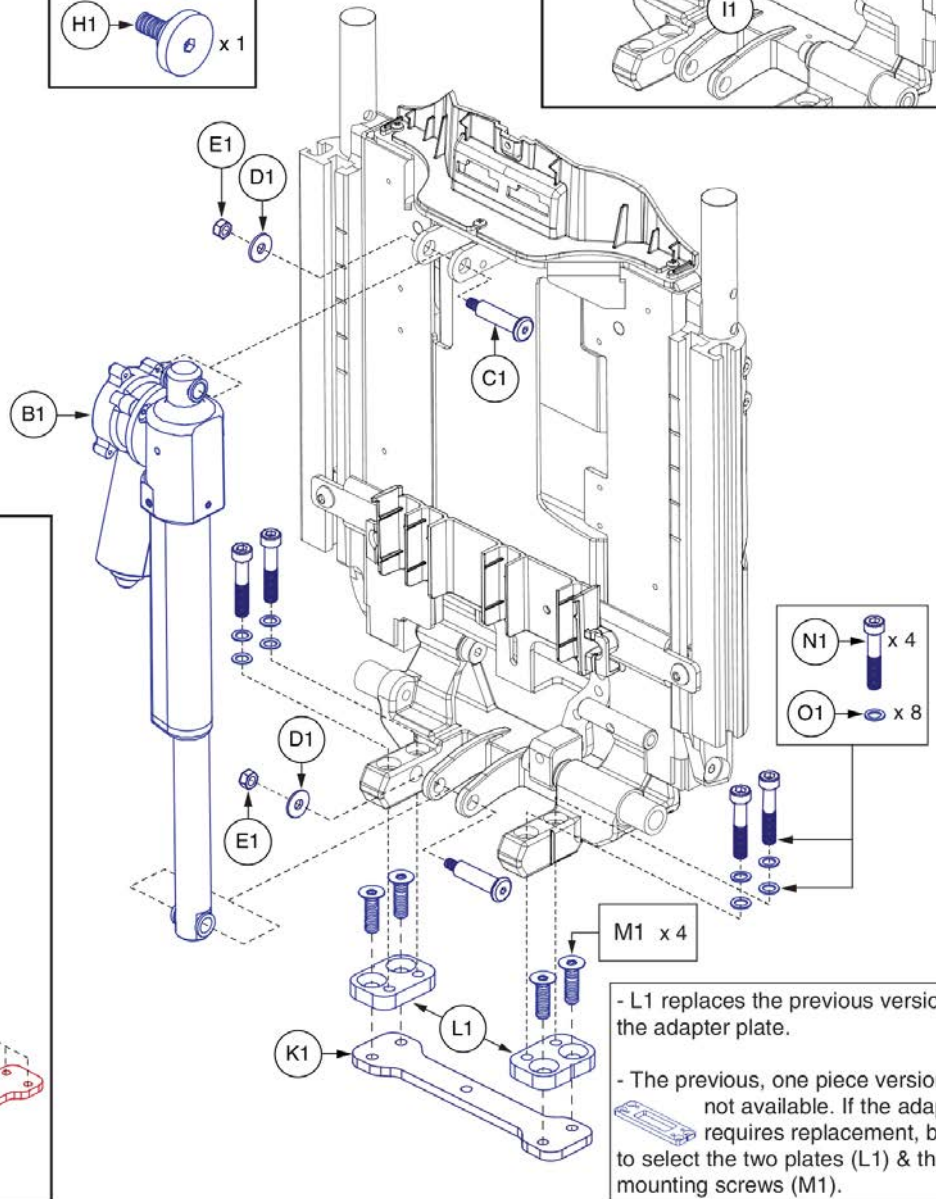
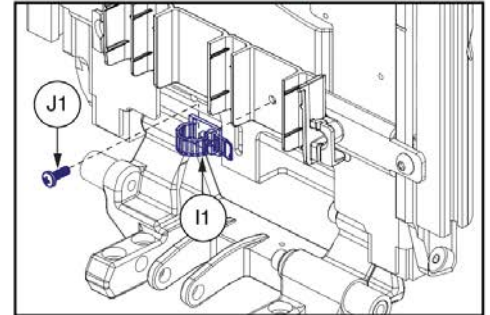
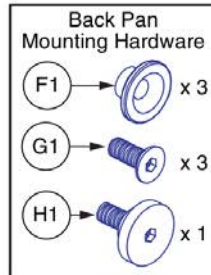


Item	Part No.	Name	Qty
A1	MEC1904493	STATIC BACK,ASSY,FLIP FORWARD,REDESIGNED BACK,W/MOUNTING HARDWARE,REAC LIFT	1
B1	MEC125176	LOCKABLE GAS SPRING,ASSY,STATIC BACK,TRU-BALANCE 3	1
C1	MEC122963	LIMIT STOP CUSHION,20MM OD X 10MM ID X 3MM THK	2
D1	MEC131121	BOLT,PIVOT ROD,TRU-BALANCE 3 RECLINE	1
E1	WASMETR1083	WASHER,FLAT,BLACK ZINC,STEEL,6.4MM ID X 18MM OD X 1.6MM TH	1
F1	NUTNYLK1019	NUT,NYLOCK,BLACK ZINC,M6-1.0	1
G1	FRM8120061	BUTTON,SEAT BACK PAN,TRU-BALANCE 3 RECLINE	3
H1	HDW131509	SCREW, FLAT HEAD, M6X1.0 X 18, ISO 10624, CL 10.9, BZ, PVTP	3
I1	HDW1804080	THUMB SCREW, CUSTOM, M6X1.0, TB4	1
J1	HDW135288	WIRE CLIP,REUSABLE,BLACK,PLASTIC,(MICRO PLASTICS:NM22LCC1000B)	1
K1	SCRPPTC1021	SCREW, PPH,BZ,#8 X 1/2",THREAD CUTTING,TYPE 25	1
L1	MEC145365	INTERFACE PLATE,TRU-BALANCE 3 LIFT	1
M1	MEC1805078	ADAPTER PLATE-TB4 BACK TO TB3 TILT	2
N1	HDW144513	SCREW, FLAT HEAD, M8X1.25 X 22, ISO 10642, CL 10.9, BZ, PVTP	4
O1	HDW123425	SCREW, SOCKET HEAD, M8X1.25 X 30, ISO 4762, CL 12.9, BZ, PVTP	4
P1	HDW1908031	WASHER, SHIM, 8.2 ID X 12.7 OD X 1.0 THK, SST (DWG 1908031)	8
Q1	HDW131958	PIN,KWIK-LOK,T-HANDLE,M10 X 90,W/152MM BLACK LANYARD	1
R1	NUT8120005	NUT,T-SLOT,BLACK,M8-1.25	1
S1	SCRHHCS1412	SCREW, HEX HEAD, M8X1.25 X 16, ISO 4014, CL 10.9, BZ, PVTP	1

6. Seat Back Assy's (REAC L&T) - TB3 Redesigned Back



Only components with callouts are available for replacement. The complete assembly must be selected for all other components.



- L1 replaces the previous version of the adapter plate.

- The previous, one piece version is not available. If the adapter requires replacement, be sure to select the two plates (L1) & the four mounting screws (M1).

Item	Part No.	Name	Qty
A1	MEC1904489	POWER RECLINE BACK,ASSY,SHEAR REDUCTION,REDESIGNED BACK,W/MOUNTING HARDWARE,RECLINE W/REAC LIFT	1
B1	ACT8120001	ACTUATOR,LINEAR,TRU BALANCE 3 RECLINE	1
C1	MEC131121	BOLT,PIVOT ROD,TRU-BALANCE 3 RECLINE	2
D1	WASMETR1083	WASHER,FLAT,BLACK ZINC,STEEL,6.4MM ID X 18MM OD X 1.6MM TH	2
E1	NUTNYLK1019	NUT,NYLOCK,BLACK ZINC,M6-1.0	2
F1	FRM8120061	BUTTON,SEAT BACK PAN,TRU-BALANCE 3 RECLINE	3
G1	SCR8120019	SCREW,SHFH,BLACK ZINC,M6-1.0 X 16MM,CLASS 10.9	3
H1	HDW1804080	THUMB SCREW, CUSTOM, M6X1.0, TB4	1
I1	HDW135288	WIRE CLIP,REUSABLE,BLACK,PLASTIC,(MICRO PLASTICS:NM22LCC1000B)	1
J1	SCRPPTC1021	SCREW, PPH,BZ,#8 X 1/2",THREAD CUTTING,TYPE 25	1
K1	MEC145365	INTERFACE PLATE,TRU-BALANCE 3 LIFT	1
L1	MEC1805078	ADAPTER PLATE-TB4 BACK TO TB3 TILT	2
M1	HDW144513	SCREW, FLAT HEAD, M8X1.25 X 22, ISO 10642, CL 10.9, BZ, PVTP	4
N1	HDW123425	SCREW, SOCKET HEAD, M8X1.25 X 30, ISO 4762, CL 12.9, BZ, PVTP	4
O1	HDW1908031	WASHER, SHIM, 8.2 ID X 12.7 OD X 1.0 THK, SST (DWG 1908031)	8

6. Seat Back Assy's (REAC L&T) - TB3 Redesigned Back

Stealth Simple Solutions Adapter Plate		Notes:
<p>A1 Complete Assembly</p> <p>Notes: 1, 2, & 3</p> <p>Back Mounting Hardware</p> <p>Adapter Assembly</p> <p>Owner's Manual</p>	<ol style="list-style-type: none"> Includes the Owner's Manual and Back Mounting Hardware. For use with all versions of the TB3 Back. Compatible with back plates that have mounting hole locations spaced between 9 3/4" and 20 5/8" wide. The thumb screw is part of the TB3 back assembly and not included with the adapter plate A1. For enhanced securement of the adapter plate to the TB3 back, the thumb screw must be reinserted during installation. <p>Contact Technical Service for more information .</p>	

Installation and Adjustments

<p>1</p> <p>Notes: 4 & 5 - </p>	<p>2</p>	<p>3</p> <p>Notes: 4 & 5</p>
--------------------------------------------	-----------------	-----------------------------------------

Height Adjustment

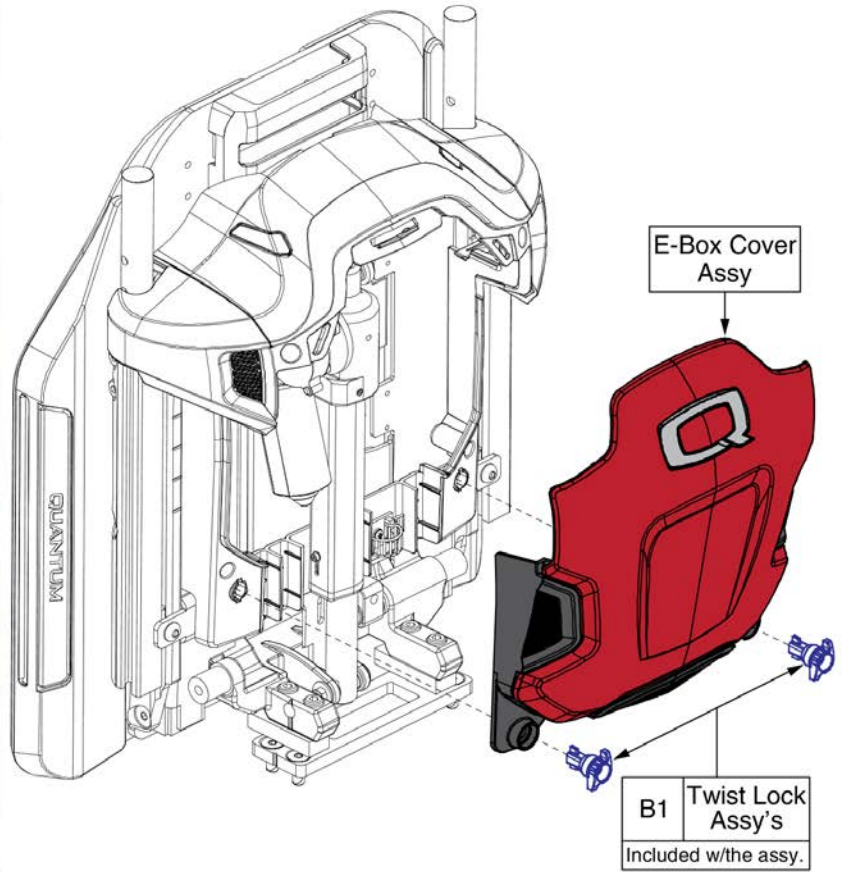
Width Adjustment

Item	Part No.	Name	Qty
A1	ST-SSAPT4-Q	STEALTH,SIMPLE SOLUTIONS ADAPTER PLATE,12"W-21"W, AFTER MARKET BACK INTEGRATION,TB3/REDESIGNED BACK SPINE	1

Electronics Cover Shrouds

Painted E-Box Assy			
Ref#	Color Name	Part Suffix	Color Code
A1a	Back in Black	PBK1	PPW-BLK-01
A1b	Night Train	PBK3	PPW-BLK-03
A1c	Grey Street	PSL3	PPW-SIL-03
A1d	White Satin	PWT2	PPW-WHT-02
A1e	Red Corvette	PRD1	PPW-RED-01
A1f	Cherry Bomb	PRD4	PPW-RED-04
A1g	Pretty in Pink	PPK3	PPW-PNK-03
A1h	Raspberry Beret	PPK4	PPW-PNK-04
A1i	Sugar Plum	PPR7	PPW-PRP-07
A1j	Deep Purple	PPR5	PPW-PRP-05
A1k	Midnight Blue	PBU10	PPW-BLU-10
A1l	Electric Blue	PBU9	PPW-BLU-09
A1m	Blue Jean	PBU11	PPW-BLU-11
A1n	Green Machine	PGN11	PPW-GRN-11
A1o	Military Green	PGN8	PPW-GRN-08
A1p	Lemon Crush	PYL4	PPW-YEL-04
A1q	Evolution Orange	POR7	PPW-ORN-07
A1r	Carbon Fiber	WCB1	PWT-CBN-01
A1s	Digital Camo	WCM7	PWT-CMO-07
A1t	Faded Glory	WFL2	PWT-FLG-02

Please note: The Painted E-Box Cover is only available as an assembly. The components are not available individually.
All mounting hardware is included with the assembly.

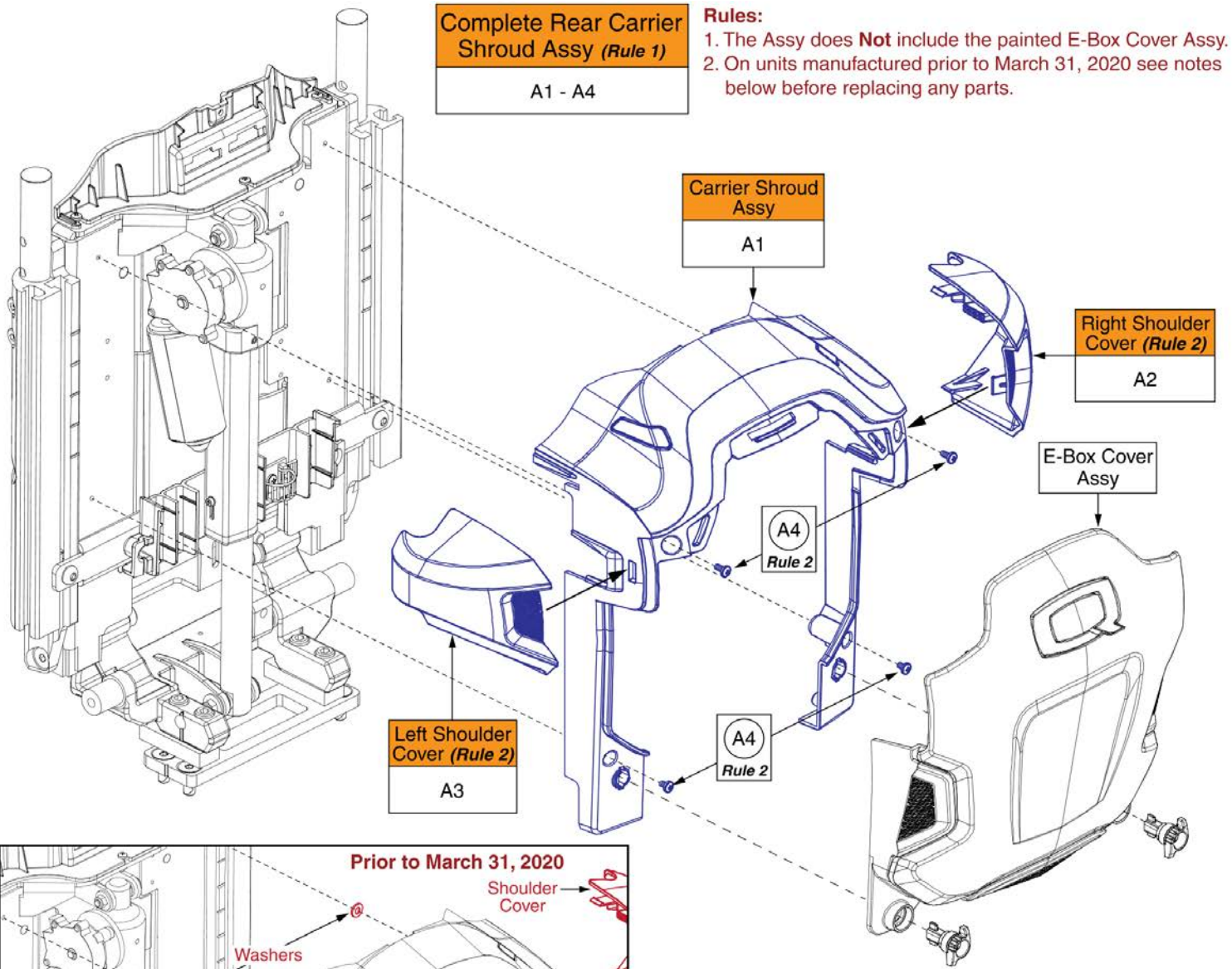


Painted E-Box Shrouds, TB3 Redesigned Back



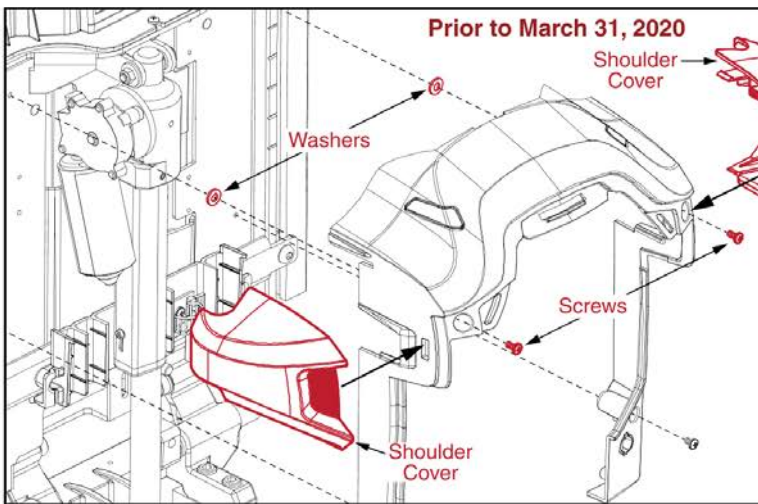
Item	Part No.	Name	Qty
A1a	DGN1714085-PBK1	ELECTRONICS BOX,ASSY,BACK IN BLACK/BLACK,W/MOUNTING HARDWARE	1
A1b	DGN1714085-PBK3	ELECTRONICS BOX,ASSY,NIGHT TRAIN,W/MOUNTING HARDWARE	1
A1c	DGN1714085-PSL3	ELECTRONICS BOX,ASSY,GREY STREET,W/MOUNTING HARDWARE	1
A1d	DGN1714085-PWT2	ELECTRONICS BOX,ASSY,WHITE SATIN,W/MOUNTING HARDWARE	1
A1e	DGN1714085-PRD1	ELECTRONICS BOX,ASSY,RED CORVETTE/CANDY APPLE RED,W/MOUNTING HARDWARE	1
A1f	DGN1714085-PRD4	ELECTRONICS BOX,ASSY,CHERRY BOMB,W/MOUNTING HARDWARE	1
A1g	DGN1714085-PPK3	ELECTRONICS BOX,ASSY,PRETTY IN PINK,W/MOUNTING HARDWARE	1
A1h	DGN1714085-PPK4	ELECTRONICS BOX,ASSY,RASPBERRY BERET,W/MOUNTING HARDWARE	1
A1i	DGN1714085-PPR7	ELECTRONICS BOX,ASSY,SUGAR PLUM,W/MOUNTING HARDWARE	1
A1j	DGN1714085-PPR5	ELECTRONICS BOX,ASSY,DEEP PURPLE,W/MOUNTING HARDWARE	1
A1k	DGN1714085-PBU10	ELECTRONICS BOX,ASSY,MIDNIGHT BLUE,W/MOUNTING HARDWARE	1
A1l	DGN1714085-PBU9	ELECTRONICS BOX,ASSY,ELECTRIC BLUE/TRUE BLUE,W/MOUNTING HARDWARE	1
A1m	DGN1714085-PBU11	ELECTRONICS BOX,ASSY,BLUE JEAN,W/MOUNTING HARDWARE	1
A1n	DGN1714085-PGN11	ELECTRONICS BOX,ASSY,GREEN MACHINE,W/MOUNTING HARDWARE	1
A1o	DGN1714085-PGN8	ELECTRONICS BOX,ASSY,MILITARY GREEN,W/MOUNTING HARDWARE	1
A1p	DGN1714085-PYL4	ELECTRONICS BOX,ASSY,LEMON CRUSH,W/MOUNTING HARDWARE	1
A1q	DGN1714085-POR7	ELECTRONICS BOX,ASSY,EVOLUTION ORANGE,W/MOUNTING HARDWARE	1
A1r	DGN1714085-WCB1	ELECTRONICS BOX,ASSY,CARBON FIBER,W/MOUNTING HARDWARE	1
A1s	DGN1714085-WCM7	ELECTRONICS BOX,ASSY,DIGITAL CAMO,W/MOUNTING HARDWARE	1
A1t	DGN1714085-WFL2	ELECTRONICS BOX,ASSY,FADED GLORY,W/MOUNTING HARDWARE	1
B1	MEC1902176	QUARTER TURN, ASSEMBLY	2

Electronics Cover Shrouds



Rules:

1. The Assy does **Not** include the painted E-Box Cover Assy.
2. On units manufactured prior to March 31, 2020 see notes below before replacing any parts.



Notes for units manufactured prior to March 31, 2020

- Prior to March 31, 2020 two washers and longer screws were utilized to mount the carrier shroud to the back of the unit. This was to prevent the shoulder covers from contacting the back assembly.
- A product enhancement occurred to the shoulder covers and the washers are no longer needed.
- Replace A2 & A3 in pairs on units manufactured prior to this date.
- If replacing hardware A4, A2 & A3 must be selected as well.
- The Carrier Shroud and E-Box cover are not affected.

Contact Technical Service for more Information.

Carrier Shroud Assy, TB3 Redesigned Back



Item	Part No.	Name	Qty
A1 - A4	DGN1904463	REAR SHROUD ASSEMBLY, BACK REFLECTORS, REDESIGNED BACK	1
A1	DGN1900261	UPPER CARRIER WITH REFLECTOR PLUGS, ASSEMBLY, TB4 BACK	1
A2	DGN1714081	ARM COVER, RIGHT, TB4 BACK	1
A3	DGN1714080	ARM COVER, LEFT, TB4 BACK	1
A4	SCRPPH1304	SCREW, PPH, BLACK ZINC, M4-.7 X 6MM	4

7.1. Back Pans w/ Cushions - Sport & TRU-Comfort 2

12" - 22" W TB3 Sport Back Assy's
(Refer to All of the notes)

- The 12" - 22" W TB3 Back assy's have been updated to include the Sport Back 4 Cushions.
- These particular backs ARE NOT UTILIZED on the Redesigned TB3 Back System. Refer to the TB3 Redesigned Back Sections.
- The assy's include the Back Pan Assy, Sport Back 4 Cushion, and the Bolster Supports.
- Sport Back Cushions have been discontinued. Various sizes of physical Sport Back cushions are available for replacement. Please refer to the Cushion Section or contact Technical Service for availability and more information.

Actual Back/ Cushion Size		For use on units with overall back Heights of:				Actual Back/ Cushion Size		For use on units with overall back Heights of:			
Ref	Width	Height	Back Pan Size	Static/Tilt Backs ¹	Recline Backs ²	Ref	Width	Height	Back Pan Size	Static/Tilt Backs ¹	Recline Backs ²
A1	12"	11"	10-14"W x 11"H	14" or 15"	17" or 18"	W1	19"	19"	16-20"W x 19"H	22" or 23"	25" or 26"
B1	12"	13"	10-14"W x 13"H	16" or 17"	19" or 20"	X1	19"	21"	16-20"W x 21"H	24" or 25"	27" or 28"
C1	14"	11"	10-14"W x 11"H	14" or 15"	17" or 18"	Y1	20"	13"	16-20"W x 13"H	16" or 17"	19" or 20"
D1	14"	13"	10-14"W x 13"H	16" or 17"	19" or 20"	Z1	20"	15"	16-20"W x 15"H	18" or 19"	21" or 22"
E1	16"	13"	16-20"W x 13"H	16" or 17"	19" or 20"	AA1	20"	17"	16-20"W x 17"H	20" or 21"	23" or 24"
F1	16"	15"	16-20"W x 15"H	18" or 19"	21" or 22"	BB1	20"	19"	16-20"W x 19"H	22" or 23"	25" or 26"
G1	16"	17"	16-20"W x 17"H	20" or 21"	23" or 24"	CC1	20"	21"	16-20"W x 21"H	24" or 25"	27" or 28"
H1	16"	19"	16-20"W x 19"H	22" or 23"	25" or 26"	DD1	20"	13"	20-24"W x 13"H	16" or 17"	19" or 20"
I1	16"	21"	16-20"W x 21"H	24" or 25"	27" or 28"	EE1	20"	15"	20-24"W x 15"H	18" or 19"	21" or 22"
J1	17"	13"	16-20"W x 13"H	16" or 17"	19" or 20"	FF1	20"	17"	20-24"W x 17"H	20" or 21"	23" or 24"
K1	17"	15"	16-20"W x 15"H	18" or 19"	21" or 22"	GG1	20"	19"	20-24"W x 19"H	22" or 23"	25" or 26"
L1	17"	17"	16-20"W x 17"H	20" or 21"	23" or 24"	HH1	20"	21"	20-24"W x 21"H	24" or 25"	27" or 28"
M1	17"	19"	16-20"W x 19"H	22" or 23"	25" or 26"	II1	21"	13"	20-24"W x 13"H	16" or 17"	19" or 20"
N1	17"	21"	16-20"W x 21"H	24" or 25"	27" or 28"	JJ1	21"	15"	20-24"W x 15"H	18" or 19"	21" or 22"
O1	18"	13"	16-20"W x 13"H	16" or 17"	19" or 20"	KK1	21"	17"	20-24"W x 17"H	20" or 21"	23" or 24"
P1	18"	15"	16-20"W x 15"H	18" or 19"	21" or 22"	LL1	21"	19"	20-24"W x 19"H	22" or 23"	25" or 26"
Q1	18"	17"	16-20"W x 17"H	20" or 21"	23" or 24"	MM1	21"	21"	20-24"W x 21"H	24" or 25"	27" or 28"
R1	18"	19"	16-20"W x 19"H	22" or 23"	25" or 26"	NN1	22"	13"	20-24"W x 13"H	16" or 17"	19" or 20"
S1	18"	21"	16-20"W x 21"H	24" or 25"	27" or 28"	OO1	22"	15"	20-24"W x 15"H	18" or 19"	21" or 22"
T1	19"	13"	16-20"W x 13"H	16" or 17"	19" or 20"	PP1	22"	17"	20-24"W x 17"H	20" or 21"	23" or 24"
U1	19"	15"	16-20"W x 15"H	18" or 19"	21" or 22"	QQ1	22"	19"	20-24"W x 19"H	22" or 23"	25" or 26"
V1	19"	17"	16-20"W x 17"H	20" or 21"	23" or 24"	RR1	22"	21"	20-24"W x 21"H	24" or 25"	27" or 28"

¹. The sizes represent a cushion to pan gap of 3" for even sized overall back heights and 4" for odd sized overall back heights.

². The sizes represent a cushion to pan gap of 6" for odd sized overall back heights and 7" for even sized overall back heights.

Item	Part No.	Name	Qty
A1		SEAT BACK,ASSY,12"W,10"W-14"W,11"H,SPORT BACK,TB3	1
B1	SET130246	SEAT BACK,ASSY,12"W,10"W-14"W,13"H,SPORT BACK 4,TRU-BALANCE 3	1
C1	SET130247	SEAT BACK,ASSY,14"W,10"W-14"W,11"H,SPORT BACK 4,TRU-BALANCE 3	1
D1	SET130248	SEAT BACK,ASSY,14"W,10"W-14"W,13"H,SPORT BACK 4	1
E1	SET130249	SEAT BACK,ASSY,16"W,16"W-20"W,13"H,SPORT BACK 4	1
F1	SET130250	SEAT BACK,ASSY,16"W,16"W-20"W,15"H,SPORT BACK 4	1
G1	SET130251	SEAT BACK,ASSY,16"W,16"W-20"W,17"H,SPORT BACK 4	1
H1	SET130252	SEAT BACK,ASSY,16"W,16"W-20"W,19"H,SPORT BACK 4	1
I1	SET130253	SEAT BACK,ASSY,16"W,16"W-20"W,21"H,SPORT BACK 4	1
J1		SEAT BACK,ASSY,17"W,16"W-20"W,13"H,SPORT BACK 4	1
K1	SET130255	SEAT BACK,ASSY,17"W,16"W-20"W,15"H,SPORT BACK 4	1
L1		SEAT BACK,ASSY,17"W,16"W-20"W,17"H,SPORT BACK 4	1
M1	SET130257	SEAT BACK,ASSY,17"W,16"W-20"W,19"H,SPORT BACK 4	1
N1	SET130258	SEAT BACK,ASSY,17"W,16"W-20"W,21"H,SPORT BACK 4	1
O1	SET130259	SEAT BACK,ASSY,18"W,16"W-20"W,13"H,SPORT BACK 4	1
P1	SET130260	SEAT BACK,ASSY,18"W,16"W-20"W,15"H,SPORT BACK 4	1
Q1	SET130261	SEAT BACK,ASSY,18"W,16"W-20"W,17"H,SPORT BACK 4	1
R1	SET130262	SEAT BACK,ASSY,18"W,16"W-20"W,19"H,SPORT BACK 4	1
S1	SET130263	SEAT BACK,ASSY,18"W,16"W-20"W,21"H,SPORT BACK 4	1
T1		SEAT BACK,ASSY,19"W,16"W-20"W,13"H,SPORT BACK 4	1
U1		SEAT BACK,ASSY,19"W,16"W-20"W,15"H,SPORT BACK 4	1
V1		SEAT BACK,ASSY,19"W,16"W-20"W,17"H,SPORT BACK 4	1
W1	SET130267	SEAT BACK,ASSY,19"W,16"W-20"W,19"H,SPORT BACK 4	1
X1	SET130268	SEAT BACK,ASSY,19"W,16"W-20"W,21"H,SPORT BACK 4	1
Y1	SET130269	SEAT BACK,ASSY,20"W,16"W-20"W,13"H,SPORT BACK 4	1
Z1	SET130271	SEAT BACK,ASSY,20"W,16"W-20"W,15"H,SPORT BACK 4	1
AA1		SEAT BACK,ASSY,20"W,16"W-20"W,17"H,SPORT BACK 4	1
BB1	SET130275	SEAT BACK,ASSY,20"W,16"W-20"W,19"H,SPORT BACK 4	1
CC1	SET130277	SEAT BACK,ASSY,20"W,16"W-20"W,21"H,SPORT BACK 4	1
DD1	SET130270	SEAT BACK,ASSY,20"W,20"W-24"W,13"H,SPORT BACK 4	1
EE1	SET130272	SEAT BACK,ASSY,20"W,20"W-24"W,15"H,SPORT BACK 4	1
FF1	SET130274	SEAT BACK,ASSY,20"W,20"W-24"W,17"H,SPORT BACK 4	1
GG1	SET130276	SEAT BACK,ASSY,20"W,20"W-24"W,19"H,SPORT BACK 4	1
HH1	SET130278	SEAT BACK,ASSY,20"W,20"W-24"W,21"H,SPORT BACK 4	1
II1		SEAT BACK,ASSY,21"W,20"W-24"W,13"H,SPORT BACK 4	1
JJ1		SEAT BACK,ASSY,21"W,20"W-24"W,15"H,SPORT BACK 4	1

12" - 22" W TB3 Sport Back Assy's (Refer to All of the notes)

- The 12" - 22" W TB3 Back assy's have been updated to include the Sport Back 4 Cushions.
- These particular backs ARE NOT UTILIZED on the Redesigned TB3 Back System. Refer to the TB3 Redesigned Back Sections.
- The assy's include the Back Pan Assy, Sport Back 4 Cushion, and the Bolster Supports.
- Sport Back Cushions have been discontinued. Various sizes of physical Sport Back cushions are available for replacement. Please refer to the Cushion Section or contact Technical Service for availability and more information.

Actual Back/ Cushion Size		For use on units with overall back Heights of:				Actual Back/ Cushion Size		For use on units with overall back Heights of:			
Ref	Width	Height	Back Pan Size	Static/Tilt Backs ¹	Recline Backs ²	Ref	Width	Height	Back Pan Size	Static/Tilt Backs ¹	Recline Backs ²
A1	12"	11"	10-14"W x 11"H	14" or 15"	17" or 18"	W1	19"	19"	16-20"W x 19"H	22" or 23"	25" or 26"
B1	12"	13"	10-14"W x 13"H	16" or 17"	19" or 20"	X1	19"	21"	16-20"W x 21"H	24" or 25"	27" or 28"
C1	14"	11"	10-14"W x 11"H	14" or 15"	17" or 18"	Y1	20"	13"	16-20"W x 13"H	16" or 17"	19" or 20"
D1	14"	13"	10-14"W x 13"H	16" or 17"	19" or 20"	Z1	20"	15"	16-20"W x 15"H	18" or 19"	21" or 22"
E1	16"	13"	16-20"W x 13"H	16" or 17"	19" or 20"	AA1	20"	17"	16-20"W x 17"H	20" or 21"	23" or 24"
F1	16"	15"	16-20"W x 15"H	18" or 19"	21" or 22"	BB1	20"	19"	16-20"W x 19"H	22" or 23"	25" or 26"
G1	16"	17"	16-20"W x 17"H	20" or 21"	23" or 24"	CC1	20"	21"	16-20"W x 21"H	24" or 25"	27" or 28"
H1	16"	19"	16-20"W x 19"H	22" or 23"	25" or 26"	DD1	20"	13"	20-24"W x 13"H	16" or 17"	19" or 20"
I1	16"	21"	16-20"W x 21"H	24" or 25"	27" or 28"	EE1	20"	15"	20-24"W x 15"H	18" or 19"	21" or 22"
J1	17"	13"	16-20"W x 13"H	16" or 17"	19" or 20"	FF1	20"	17"	20-24"W x 17"H	20" or 21"	23" or 24"
K1	17"	15"	16-20"W x 15"H	18" or 19"	21" or 22"	GG1	20"	19"	20-24"W x 19"H	22" or 23"	25" or 26"
L1	17"	17"	16-20"W x 17"H	20" or 21"	23" or 24"	HH1	20"	21"	20-24"W x 21"H	24" or 25"	27" or 28"
M1	17"	19"	16-20"W x 19"H	22" or 23"	25" or 26"	II1	21"	13"	20-24"W x 13"H	16" or 17"	19" or 20"
N1	17"	21"	16-20"W x 21"H	24" or 25"	27" or 28"	JJ1	21"	15"	20-24"W x 15"H	18" or 19"	21" or 22"
O1	18"	13"	16-20"W x 13"H	16" or 17"	19" or 20"	KK1	21"	17"	20-24"W x 17"H	20" or 21"	23" or 24"
P1	18"	15"	16-20"W x 15"H	18" or 19"	21" or 22"	LL1	21"	19"	20-24"W x 19"H	22" or 23"	25" or 26"
Q1	18"	17"	16-20"W x 17"H	20" or 21"	23" or 24"	MM1	21"	21"	20-24"W x 21"H	24" or 25"	27" or 28"
R1	18"	19"	16-20"W x 19"H	22" or 23"	25" or 26"	NN1	22"	13"	20-24"W x 13"H	16" or 17"	19" or 20"
S1	18"	21"	16-20"W x 21"H	24" or 25"	27" or 28"	OO1	22"	15"	20-24"W x 15"H	18" or 19"	21" or 22"
T1	19"	13"	16-20"W x 13"H	16" or 17"	19" or 20"	PP1	22"	17"	20-24"W x 17"H	20" or 21"	23" or 24"
U1	19"	15"	16-20"W x 15"H	18" or 19"	21" or 22"	QQ1	22"	19"	20-24"W x 19"H	22" or 23"	25" or 26"
V1	19"	17"	16-20"W x 17"H	20" or 21"	23" or 24"	RR1	22"	21"	20-24"W x 21"H	24" or 25"	27" or 28"

¹ The sizes represent a cushion to pan gap of 3" for even sized overall back heights and 4" for odd sized overall back heights.

² The sizes represent a cushion to pan gap of 6" for odd sized overall back heights and 7" for even sized overall back heights.

Item	Part No.	Name	Qty
KK1		SEAT BACK,ASSY,21"W,20"W-24"W,17"H,SPORT BACK 4	1
LL1	SET130292	SEAT BACK,ASSY,21"W,20"W-24"W,19"H,SPORT BACK 4	1
MM1	SET130293	SEAT BACK,ASSY,21"W,20"W-24"W,21"H,SPORT BACK 4	1
NN1	SET130294	SEAT BACK,ASSY,22"W,20"W-24"W,13"H,SPORT BACK 4	1
OO1		SEAT BACK,ASSY,22"W,20"W-24"W,15"H,SPORT BACK 4	1
PP1	SET130296	SEAT BACK,ASSY,22"W,20"W-24"W,17"H,SPORT BACK 4	1
QQ1	SET130297	SEAT BACK,ASSY,22"W,20"W-24"W,19"H,SPORT BACK 4	1
RR1	SET130298	SEAT BACK,ASSY,22"W,20"W-24"W,21"H,SPORT BACK 4	1

7.1. Back Pans w/ Cushions - Sport & TRU-Comfort 2

24" - 32" W TB3 Sport Back Assy's (Refer to All of the notes)

- As of 3-24-2020, the 24" - 32" W TB3 Back assy's are transitioning to include the Sport Back 4 Cushions. The particular sizes that have been updated will be noted in the chart below.
- These back assy's ARE NOT UTILIZED on the Redesigned TB3 Back System. Refer to the TB3 Redesigned Back Sections.
- The assy's include the Back Pan Assy, Sport Back/Sport Back 4 Cushion, and the Bolster Supports.
- These sizes of Sport Back Cushions are being discontinued. Various sizes of physical Sport Back cushions are available for replacement. Please refer to the Cushion Section or contact Technical Service for availability and more information.

Actual Back/ Cushion Size		For use on units with overall back Heights of:				Updated to SB4	Actual Back/ Cushion Size		For use on units with overall back Heights of:				Updated to SB4
Ref	W	H	Back Pan Size	Static/Tilt Backs ¹	Recline Backs ²		Ref	W	H	Back Pan Size	Static/Tilt Backs ¹	Recline Backs ²	
A1	24"	13"	20-24"W x 13"H	16" or 17"	19" or 20"		S1	28"	19"	24-28"W x 19"H	22" or 23"	25" or 26"	
B1	24"	15"	20-24"W x 15"H	18" or 19"	21" or 22"		T1	28"	21"	24-28"W x 21"H	24" or 25"	27" or 28"	
C1	24"	17"	20-24"W x 17"H	20" or 21"	23" or 24"		U1	28"	13"	28-32"W x 13"H	16" or 17"	19" or 20"	
D1	24"	19"	20-24"W x 19"H	22" or 23"	25" or 26"		V1	28"	15"	28-32"W x 15"H	18" or 19"	21" or 22"	
E1	24"	21"	20-24"W x 21"H	24" or 25"	27" or 28"		W1	28"	17"	28-32"W x 17"H	20" or 21"	23" or 24"	YES
F1	24"	13"	24-28"W x 13"H	16" or 17"	19" or 20"		X1	28"	19"	28-32"W x 19"H	22" or 23"	25" or 26"	
G1	24"	15"	24-28"W x 15"H	18" or 19"	21" or 22"		Y1	28"	21"	28-32"W x 21"H	24" or 25"	27" or 28"	
H1	24"	17"	24-28"W x 17"H	20" or 21"	23" or 24"		Z1	30"	13"	28-32"W x 13"H	16" or 17"	19" or 20"	
I1	24"	19"	24-28"W x 19"H	22" or 23"	25" or 26"		AA1	30"	15"	28-32"W x 15"H	18" or 19"	21" or 22"	
J1	24"	21"	24-28"W x 21"H	24" or 25"	27" or 28"		BB1	30"	17"	28-32"W x 17"H	20" or 21"	23" or 24"	
K1	26"	13"	24-28"W x 13"H	16" or 17"	19" or 20"		CC1	30"	19"	28-32"W x 19"H	22" or 23"	25" or 26"	
L1	26"	15"	24-28"W x 15"H	18" or 19"	21" or 22"		DD1	30"	21"	28-32"W x 21"H	24" or 25"	27" or 28"	
M1	26"	17"	24-28"W x 17"H	20" or 21"	23" or 24"	YES	EE1	32"	13"	28-32"W x 13"H	16" or 17"	19" or 20"	
N1	26"	19"	24-28"W x 19"H	22" or 23"	25" or 26"		FF1	32"	15"	28-32"W x 15"H	18" or 19"	21" or 22"	
O1	26"	21"	24-28"W x 21"H	24" or 25"	27" or 28"		GG1	32"	17"	28-32"W x 17"H	20" or 21"	23" or 24"	
P1	28"	13"	24-28"W x 13"H	16" or 17"	19" or 20"		HH1	32"	19"	28-32"W x 19"H	22" or 23"	25" or 26"	
Q1	28"	15"	24-28"W x 15"H	18" or 19"	21" or 22"		II1	32"	21"	28-32"W x 21"H	24" or 25"	27" or 28"	
R1	28"	17"	24-28"W x 17"H	20" or 21"	23" or 24"	YES							

Bold Italic Lines Represent that assy has been updated to the Sport Back 4.

¹The sizes represent a cushion to pan gap of 3" for even sized overall back heights and 4" for odd sized overall back heights.

²The sizes represent a cushion to pan gap of 6" for odd sized overall back heights and 7" for even sized overall back heights.

Item	Part No.	Name	Qty
A1	SET130299	SEAT BACK,ASSY,24"W,20"W-24"W,13"H,SPORT BACK,TB3	1
B1	SET130301	SEAT BACK,ASSY,24"W,20"W-24"W,15"H,SPORT BACK,TB3	1
C1	SET130303	SEAT BACK,ASSY,24"W,20"W-24"W,17"H,SPORT BACK,TB3	1
D1	SET130305	SEAT BACK,ASSY,24"W,20"W-24"W,19"H,SPORT BACK,TB3	1
E1	SET130308	SEAT BACK,ASSY,24"W,20"W-24"W,21"H,SPORT BACK,TB3	1
F1	SET130300	SEAT BACK,ASSY,24"W,24"W-28"W,13"H,SPORT BACK,TB3	1
G1	SET130302	SEAT BACK,ASSY,24"W,24"W-28"W,15"H,SPORT BACK,TB3	1
H1	SET130304	SEAT BACK,ASSY,24"W,24"W-28"W,17"H,SPORT BACK,TB3	1
I1	SET130306	SEAT BACK,ASSY,24"W,24"W-28"W,19"H,SPORT BACK,TB3	1
J1	SET130309	SEAT BACK,ASSY,24"W,24"W-28"W,21"H,SPORT BACK,TB3	1
K1	SET130310	SEAT BACK,ASSY,26"W,24"W-28"W,13"H,SPORT BACK,TB3	1
L1	SET130311	SEAT BACK,ASSY,26"W,24"W-28"W,15"H,SPORT BACK,TB3	1
M1	SET130312	SEAT BACK,ASSY,26"W,24"W-28"W,17"H,SB4,TB3	1
N1	SET130314	SEAT BACK,ASSY,26"W,24"W-28"W,19"H,SPORT BACK,TB3	1
O1	SET130315	SEAT BACK,ASSY,26"W,24"W-28"W,21"H,SPORT BACK,TB3	1
P1	SET130316	SEAT BACK,ASSY,28"W,24"W-28"W,13"H,SPORT BACK,TB3	1
Q1	SET130318	SEAT BACK,ASSY,28"W,24"W-28"W,15"H,SPORT BACK,TB3	1
R1	SET130320	SEAT BACK,ASSY,28"W,24"W-28"W,17"H,SB4,TB3	1
S1	SET130322	SEAT BACK,ASSY,28"W,24"W-28"W,19"H,SPORT BACK,TB3	1
T1	SET130341	SEAT BACK,ASSY,28"W,24"W-28"W,21"H,SPORT BACK,TB3	1
U1		SEAT BACK,ASSY,28"W,28"W-32"W,13"H,SPORT BACK,TB3	1
V1		SEAT BACK,ASSY,28"W,28"W-32"W,15"H,SPORT BACK,TB3	1
W1		SEAT BACK,ASSY,28"W,28"W-32"W,17"H,SB4,TB3	1
X1		SEAT BACK,ASSY,28"W,28"W-32"W,19"H,SPORT BACK,TB3	1
Y1		SEAT BACK,ASSY,28"W,28"W-32"W,21"H,SPORT BACK,TB3	1
Z1		SEAT BACK,ASSY,30"W,28"W-32"W,13"H,SPORT BACK,TB3	1
AA1		SEAT BACK,ASSY,30"W,28"W-32"W,15"H,SPORT BACK,TB3	1
BB1		SEAT BACK,ASSY,30"W,28"W-32"W,17"H,SPORT BACK,TB3	1
CC1		SEAT BACK,ASSY,30"W,28"W-32"W,19"H,SPORT BACK,TB3	1
DD1		SEAT BACK,ASSY,30"W,28"W-32"W,21"H,SPORT BACK,TB3	1
EE1		SEAT BACK,ASSY,32"W,28"W-32"W,13"H,SPORT BACK,TB3	1
FF1		SEAT BACK,ASSY,32"W,28"W-32"W,15"H,SPORT BACK,TB3	1
GG1		SEAT BACK,ASSY,32"W,28"W-32"W,17"H,SPORT BACK,TB3	1
HH1	SET130335	SEAT BACK,ASSY,32"W,28"W-32"W,19"H,SPORT BACK,TB3	1
II1		SEAT BACK,ASSY,32"W,28"W-32"W,21"H,SPORT BACK,TB3	1

7.1. Back Pans w/ Cushions - Sport & TRU-Comfort 2

12" - 22" W TB3 TRU-Comfort (2/4) Back Assy's (Refer to All of the notes)

- The 12" - 22" W TB3 Back assy's have been updated to include the TRU-Comfort 4 Back Cushions
- These particular backs ARE NOT UTILIZED on the Redesigned TB3 Back System. Refer to the TB3 Redesigned Back Sections.
- The assy's include the Back Pan Assy, TRU-Comfort 4 Back Cushion, and the Bolster Supports.
- TRU-Comfort 2 Back Cushions have been discontinued. Various sizes of physical TRU-Comfort 2 back cushions are available for replacement. Please refer to the Cushion Section or contact Technical Service for availability and more information.

Actual Back/ Cushion Size		For use on units with overall back Heights of:		Actual Back/ Cushion Size		For use on units with overall back Heights of:					
Ref	Width	Height	Back Pan Size	Static/Tilt Backs ¹	Recline Backs ²	Ref	Width	Height	Back Pan Size	Static/Tilt Backs ¹	Recline Backs ²
A1	12"	11"	10-14"W x 11"H	14" or 15"	N/A	R1	19"	17"	16-20"W x 17"H	20" or 21"	23" or 24"
B1	14"	13"	10-14"W x 13"H	16" or 17"	19" or 20"	S1	19"	19"	16-20"W x 19"H	22" or 23"	25" or 26"
C1	16"	13"	16-20"W x 13"H	16" or 17"	19" or 20"	T1	20"	13"	16-20"W x 13"H	16" or 17"	19" or 20"
D1	16"	15"	16-20"W x 15"H	18" or 19"	21" or 22"	U1	20"	15"	16-20"W x 15"H	18" or 19"	21" or 22"
E1	16"	17"	16-20"W x 17"H	20" or 21"	23" or 24"	V1	20"	17"	16-20"W x 17"H	20" or 21"	23" or 24"
F1	16"	19"	16-20"W x 19"H	22" or 23"	25" or 26"	W1	20"	19"	16-20"W x 19"H	22" or 23"	25" or 26"
G1	17"	13"	16-20"W x 13"H	16" or 17"	19" or 20"	X1	20"	21"	16-20"W x 21"H	24" or 25"	27" or 28"
H1	17"	15"	16-20"W x 15"H	18" or 19"	21" or 22"	Y1	20"	13"	20-24"W x 13"H	16" or 17"	19" or 20"
I1	17"	17"	16-20"W x 17"H	20" or 21"	23" or 24"	Z1	20"	15"	20-24"W x 15"H	18" or 19"	21" or 22"
J1	17"	19"	16-20"W x 19"H	22" or 23"	25" or 26"	AA1	20"	17"	20-24"W x 17"H	20" or 21"	23" or 24"
K1	18"	13"	16-20"W x 13"H	16" or 17"	19" or 20"	BB1	20"	19"	20-24"W x 19"H	22" or 23"	25" or 26"
L1	18"	15"	16-20"W x 15"H	18" or 19"	21" or 22"	CC1	20"	21"	20-24"W x 21"H	24" or 25"	27" or 28"
M1	18"	17"	16-20"W x 17"H	20" or 21"	23" or 24"	DD1	22"	13"	20-24"W x 13"H	16" or 17"	19" or 20"
N1	18"	19"	16-20"W x 19"H	22" or 23"	25" or 26"	EE1	22"	15"	20-24"W x 15"H	18" or 19"	21" or 22"
O1	18"	21"	16-20"W x 21"H	24" or 25"	27" or 28"	FF1	22"	17"	20-24"W x 17"H	20" or 21"	23" or 24"
P1	19"	13"	16-20"W x 13"H	16" or 17"	19" or 20"	GG1	22"	19"	20-24"W x 19"H	22" or 23"	25" or 26"
Q1	19"	15"	16-20"W x 15"H	18" or 19"	21" or 22"						

¹. The sizes represent a cushion to pan gap of 3" for even sized overall back heights and 4" for odd sized overall back heights.

². The sizes represent a cushion to pan gap of 6" for odd sized overall back heights and 7" for even sized overall back heights.

Item	Part No.	Name	Qty
A1	SET123622	SEAT BACK,ASSY,12"W,10"W-14"W,11"H, TC4V,4 WAY STRETCH	1
B1	SET123623	SEAT BACK,ASSY,14"W,10"W-14"W,13"H,TC4V,4 WAY STRETCH	1
C1	SET123631	SEAT BACK,ASSY,16"W,16"W-20"W,13"H,TC4V,4 WAY STRETCH	1
D1	SET123633	SEAT BACK,ASSY,16"W,16"W-20"W,15"H,TC4V,4 WAY STRETCH	1
E1	SET123635	SEAT BACK,ASSY,16"W,16"W-20"W,17"H,TC4V,4 WAY STRETCH	1
F1	SET123637	SEAT BACK,ASSY,16"W,16"W-20"W,19"H,TC4V,4 WAY STRETCH	1
G1	SET123639	SEAT BACK,ASSY,17"W,16"W-20"W,13"H,TC4V,4 WAY STRETCH	1
H1	SET123641	SEAT BACK,ASSY,17"W,16"W-20"W,15"H,TC4V,4 WAY STRETCH	1
I1	SET123651	SEAT BACK,ASSY,17"W,16"W-20"W,17"H,TC4V,4 WAY STRETCH	1
J1	SET123653	SEAT BACK,ASSY,17"W,16"W-20"W,19"H,TC4V,4 WAY STRETCH	1
K1	SET123655	SEAT BACK,ASSY,18"W,16"W-20"W,13"H,TC4V,4 WAY STRETCH	1
L1	SET124576	SEAT BACK,ASSY,18"W,16"W-20"W,15"H,TC4V,4 WAY STRETCH	1
M1	SET124578	SEAT BACK,ASSY,18"W,16"W-20"W,17"H,TC4V,4 WAY STRETCH	1
N1	SET124597	SEAT BACK,ASSY,18"W,16"W-20"W,19"H,TC4V,4 WAY STRETCH	1
O1	SET124599	SEAT BACK,ASSY,18"W,16"W-20"W,21"H,TC4V,4 WAY STRETCH	1
P1	SET124601	SEAT BACK,ASSY,19"W,16"W-20"W,13"H,TC4V,4 WAY STRETCH	1
Q1	SET124602	SEAT BACK,ASSY,19"W,16"W-20"W,15"H,TC4V,4 WAY STRETCH	1
R1	SET124603	SEAT BACK,ASSY,19"W,16"W-20"W,17"H,TC4V,4 WAY STRETCH	1
S1	SET124605	SEAT BACK,ASSY,19"W,16"W-20"W,19"H,TC4V,4 WAY STRETCH	1
T1	SET124606	SEAT BACK,ASSY,20"W,16"W-20"W,13"H,TC4V,4 WAY STRETCH	1
U1	SET124609	SEAT BACK,ASSY,20"W,16"W-20"W,15"H,TC4V,4 WAY STRETCH	1
V1	SET124611	SEAT BACK,ASSY,20"W,16"W-20"W,17"H,TC4V,4 WAY STRETCH	1
W1	SET124613	SEAT BACK,ASSY,20"W,16"W-20"W,19"H,TC4V,4 WAY STRETCH	1
X1	SET124619	SEAT BACK,ASSY,20"W,16"W-20"W,21"H,TC4V,4 WAY STRETCH	1
Y1	SET124607	SEAT BACK,ASSY,20"W,20"W-24"W,13"H,TC4V,4 WAY STRETCH	1
Z1	SET124610	SEAT BACK,ASSY,20"W,20"W-24"W,15"H,TC4V,4 WAY STRETCH	1
AA1	SET124612	SEAT BACK,ASSY,20"W,20"W-24"W,17"H,TC4V,4 WAY STRETCH	1
BB1	SET124618	SEAT BACK,ASSY,20"W,20"W-24"W,19"H,TC4V,4 WAY STRETCH	1
CC1	SET124623	SEAT BACK,ASSY,20"W,20"W-24"W,21"H,TC4V,4 WAY STRETCH	1
DD1	SET124624	SEAT BACK,ASSY,22"W,20"W-24"W,13"H,TC4V,4 WAY STRETCH	1
EE1	SET124625	SEAT BACK,ASSY,22"W,20"W-24"W,15"H,TC4V,4 WAY STRETCH	1
FF1	SET124626	SEAT BACK,ASSY,22"W,20"W-24"W,17"H,TC4V,4 WAY STRETCH	1
GG1	SET124627	SEAT BACK,ASSY,22"W,20"W-24"W,19"H,TC4V,4 WAY STRETCH	1

7.1. Back Pans w/ Cushions - Sport & TRU-Comfort 2

24" - 28" W TB3 TRU-Comfort (2/4) Back Assy's (Refer to All of the notes)

- As of 3-24-2020, various sizes of the 24" - 28" W TB3 Back assy's have been updated to include the TRU-Comfort 4 Back Cushions. The particular sizes that have been updated will be noted in the chart below.
- These back assy's ARE NOT UTILIZED on the Redesigned TB3 Back System. Refer to the TB3 Redesigned Back Sections.
- The assy's include the Back Pan Assy, TRU-Comfort 2 or 4 Back Cushion, and the Bolster Supports.
- These sizes of TRU-Comfort 2 Back Cushions are being discontinued. Various sizes of physical TRU-Comfort 2 back cushions are available for replacement. Please refer to the Cushion Section or contact Technical Service for availability and more information.

Ref	Actual Back/ Cushion Size		Back Pan Size	For use on units with overall back Heights of:		Updated to TC4
	Width	Height		Static/Tilt Backs ¹	Recline Backs ²	
A1	24"	13"	20-24"W x 13"H	16" or 17"	19" or 20"	
<i>B1</i>	<i>24"</i>	<i>15"</i>	<i>20-24"W x 15"H</i>	<i>18" or 19"</i>	<i>21" or 22"</i>	<i>YES</i>
<i>C1</i>	<i>24"</i>	<i>17"</i>	<i>20-24"W x 17"H</i>	<i>20" or 21"</i>	<i>23" or 24"</i>	<i>YES</i>
<i>D1</i>	<i>24"</i>	<i>19"</i>	<i>20-24"W x 19"H</i>	<i>22" or 23"</i>	<i>25" or 26"</i>	<i>YES</i>
E1	24"	13"	24-28"W x 13"H	16" or 17"	19" or 20"	
<i>F1</i>	<i>24"</i>	<i>15"</i>	<i>24-28"W x 15"H</i>	<i>18" or 19"</i>	<i>21" or 22"</i>	<i>YES</i>
<i>G1</i>	<i>24"</i>	<i>17"</i>	<i>24-28"W x 17"H</i>	<i>20" or 21"</i>	<i>23" or 24"</i>	<i>YES</i>
<i>H1</i>	<i>24"</i>	<i>19"</i>	<i>24-28"W x 19"H</i>	<i>22" or 23"</i>	<i>25" or 26"</i>	<i>YES</i>
<i>I1</i>	<i>26"</i>	<i>15"</i>	<i>24-28"W x 15"H</i>	<i>18" or 19"</i>	<i>21" or 22"</i>	<i>YES</i>
J1	26"	17"	24-28"W x 17"H	20" or 21"	23" or 24"	
K1	28"	15"	24-28"W x 15"H	18" or 19"	21" or 22"	
<i>L1</i>	<i>28"</i>	<i>17"</i>	<i>24-28"W x 17"H</i>	<i>20" or 21"</i>	<i>23" or 24"</i>	<i>YES</i>
M1	28"	15"	28-32"W x 15"H	18" or 19"	21" or 22"	
<i>N1</i>	<i>28"</i>	<i>17"</i>	<i>28-32"W x 17"H</i>	<i>20" or 21"</i>	<i>23" or 24"</i>	<i>YES</i>

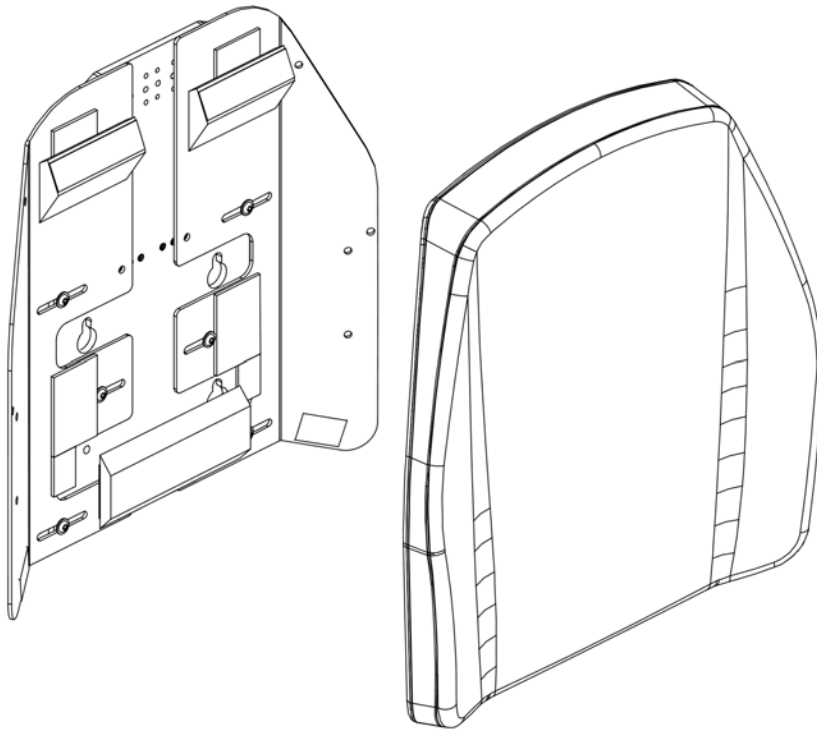
Bold Italic Lines Represent that assy has been updated to TRU-Comfort 4.

¹ The sizes represent a cushion to pan gap of 3" for even sized overall back heights and 4" for odd sized overall back heights.
² The sizes represent a cushion to pan gap of 6" for odd sized overall back heights and 7" for even sized overall back heights.

Item	Part No.	Name	Qty
A1	SET124628	SEAT BACK,ASSY,24"W,20"W-24"W,13"H,TC2,4 WAY STRETCH	1
B1	SET124629	SEAT BACK,ASSY,24"W,20"W-24"W,15"H,TC4V,4 WAY STRETCH	1
C1	SET124630	SEAT BACK,ASSY,24"W,20"W-24"W,17"H,TC4V,4 WAY STRETCH	1
D1	SET124631	SEAT BACK,ASSY,24"W,20"W-24"W,19"H,TC4V,4 WAY STRETCH	1
E1	SET130059	SEAT BACK,ASSY,24"W,24"W-28"W,13"H,TC2,4 WAY STRETCH	1
F1	SET130060	SEAT BACK,ASSY,24"W,24"W-28"W,15"H,TC4V,4 WAY STRETCH	1
G1	SET130061	SEAT BACK,ASSY,24"W,24"W-28"W,17"H,TC4V,4 WAY STRETCH	1
H1	SET130062	SEAT BACK,ASSY,24"W,24"W-28"W,19"H,TC4V,4 WAY STRETCH	1
I1	SET124633	SEAT BACK,ASSY,26"W,24"W-28"W,15"H,TC4V,4 WAY STRETCH	1
J1	SET124634	SEAT BACK,ASSY,26"W,24"W-28"W,17"H,TRU-COMFORT 2,4 WAY STRETCH	1
K1		SEAT BACK,ASSY,28"W,24"W-28"W,15"H,TRU-COMFORT 2,4 WAY STRETCH	1
L1	SET124647	SEAT BACK,ASSY,28"W,24"W-28"W,17"H,TC4V,4 WAY STRETCH	1
M1	SET124646	SEAT BACK,ASSY,28"W,28"W-32"W,15"H,TRU-COMFORT 2,4 WAY STRETCH	1
N1	SET124648	SEAT BACK,ASSY,28"W,28"W-32"W,17"H,TC4V,4 WAY STRETCH	1

7.1. Back Pans w/ Cushions - Sport & TRU-Comfort 2

The Tru-Comfort 2 Complete Back Assemblies w/ Mesh Cushion have been discontinued and are no longer available for replacement.



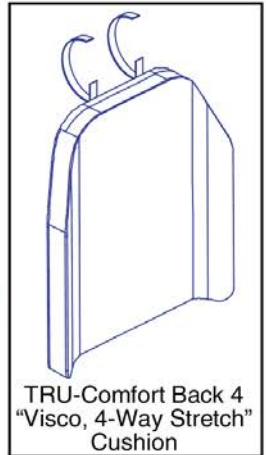
Please Contact Technical Service for replacement options.

This page intentionally left blank

7.2. Back Cushion - Sport & TRU-Comfort 2

The TRU-Comfort 2 Back Cushions have been discontinued and replaced by the TRU-Comfort 4 Back Cushions.

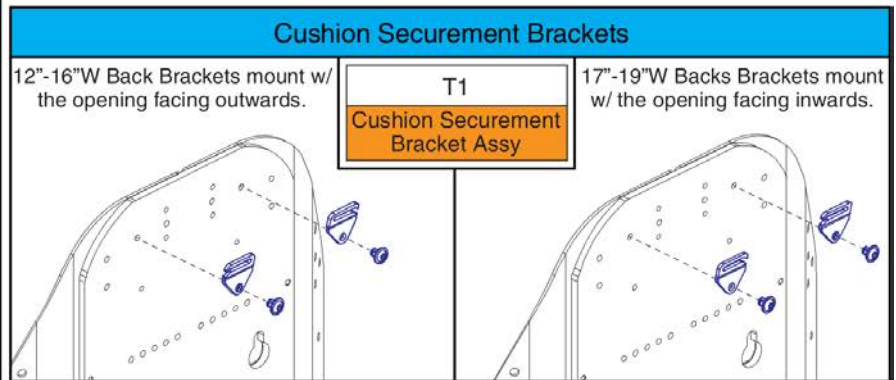
- As of March 18th, 2020, only sizes listed with a callout are available for replacement. Limited quantities are on hand. Contact technical service for availability.
 - If the desired size is not listed as available and the Ref # is listed as TC4V, please refer to the TRU-Comfort 4 Back Cushions pages for a replacement cushion.
 - Please note that the replacement cushion will be slightly larger than the existing and it will contain securement straps. The straps can be tucked in between the cushion and the back pan.
 - Cushion securement brackets can be procured and affixed to the center back pan.
- Please see below.



12" - 19" W TRU-Comfort 2 Cushions (Refer to All of the notes)				
Ref	Actual Back/ Cushion Size		For use on units w/ overall back Heights of:	
	Width	Height	Static/Tilt Backs ¹	Recline Backs ²
A1	12"	11"	14" or 15"	17" or 18"
TC4V	14"	13"	16" or 17"	19" or 20"
TC4V	16"	13"	16" or 17"	19" or 20"
D1	16"	15"	18" or 19"	21" or 22"
TC4V	16"	17"	20" or 21"	23" or 24"
F1	16"	19"	22" or 23"	25" or 26"
G1	17"	13"	16" or 17"	19" or 20"
H1	17"	15"	18" or 19"	21" or 22"
I1	17"	17"	20" or 21"	23" or 24"
J1	17"	19"	22" or 23"	25" or 26"
K1	18"	13"	16" or 17"	19" or 20"
TC4V	18"	15"	18" or 19"	21" or 22"
TC4V	18"	17"	20" or 21"	23" or 24"
TC4V	18"	19"	22" or 23"	25" or 26"
O1	18"	21"	24" or 25"	27" or 28"
P1	19"	13"	16" or 17"	19" or 20"
Q1	19"	15"	18" or 19"	21" or 22"
R1	19"	17"	20" or 21"	23" or 24"
TC4V	19"	19"	22" or 23"	25" or 26"

1. The sizes represent a cushion to pan gap of 3" for even sized overall back heights and 4" for odd sized overall back heights.
2. The sizes represent a cushion to pan gap of 6" for odd sized overall back heights and 7" for even sized overall back heights.

TC4V = Refer to TRU-Comfort 4 Back Cushions.

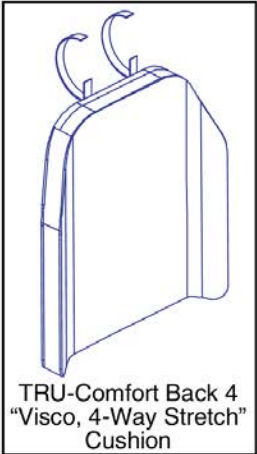


Item	Part No.	Name	Qty
A1	CUS121432	CUSHION PAD,ASSY,BACK,12"W,11"H,TC2,4 WAY STRETCH	1
B1		CUSHION PAD,ASSY,BACK,14"W,13"H,TC2,4 WAY STRETCH	1
C1		CUSHION PAD,ASSY,BACK,16"W,13"H,TC2,4 WAY STRETCH	1
D1	CUS121442	CUSHION PAD,ASSY,BACK,16"W,15"H,TC2,4 WAY STRETCH	1
E1		CUSHION PAD,ASSY,BACK,16"W,17"H,TC2,4 WAY STRETCH	1
F1		CUSHION PAD,ASSY,BACK,16"W,19"H,TC2,4 WAY STRETCH	1
G1	CUS121446	CUSHION PAD,ASSY,BACK,17"W,13"H,TC2,4 WAY STRETCH	1
H1	CUS121447	CUSHION PAD,ASSY,BACK,17"W,15"H,TC2,4 WAY STRETCH	1
I1	CUS121448	CUSHION PAD,ASSY,BACK,17"W,17"H,TC2,4 WAY STRETCH	1
J1	CUS121449	CUSHION PAD,ASSY,BACK,17"W,19"H,TC2,4 WAY STRETCH	1
K1	CUS121450	CUSHION PAD,ASSY,BACK,18"W,13"H,TC2,4 WAY STRETCH	1
L1		CUSHION PAD,ASSY,BACK,18"W,15"H,TC2,4 WAY STRETCH	1
M1		CUSHION PAD,ASSY,BACK,18"W,17"H,TC2,4 WAY STRETCH	1
N1		CUSHION PAD,ASSY,BACK,18"W,19"H,TC2,4 WAY STRETCH	1
O1	CUS121454	CUSHION PAD,ASSY,BACK,18"W,21"H,TC2,4 WAY STRETCH	1
P1	CUS121455	CUSHION PAD,ASSY,BACK,19"W,13"H,TC2,4 WAY STRETCH	1
Q1	CUS121456	CUSHION PAD,ASSY,BACK,19"W,15"H,TC2,4 WAY STRETCH	1
R1	CUS121458	CUSHION PAD,ASSY,BACK,19"W,17"H,TC2,4 WAY STRETCH	1
S1		CUSHION PAD,ASSY,BACK,19"W,19"H,TC2,4 WAY STRETCH	1
T1	MEC1907389	BACK CUSHION SECUREMENT BRACKET,REDESIGNED BACK,PAIR	1

7.2. Back Cushion - Sport & TRU-Comfort 2

The TRU-Comfort 2 Back Cushions have been discontinued and replaced by the TRU-Comfort 4 Back Cushions.

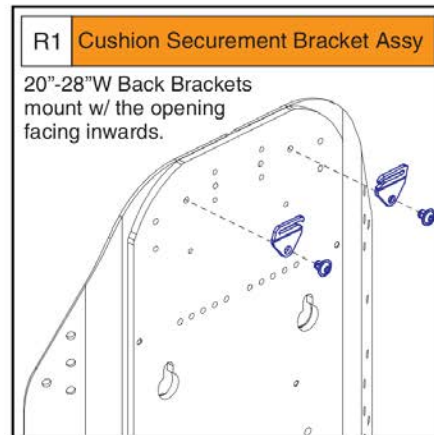
- As of March 18th, 2020, only sizes listed with a callout are available for replacement. Limited quantities are on hand. Contact technical service for availability.
 - If the desired size is not listed as available and the Ref # is listed as TC4V, please refer to the TRU-Comfort 4 Back Cushions pages for a replacement cushion.
 - Please note that the replacement cushion will be slightly larger than the existing and it will contain securement straps. The straps can be tucked in between the cushion and the back pan.
 - Cushion securement brackets can be procured and affixed to the center back pan.
- Please see below.



20" - 28" W TRU-Comfort 2 Cushions (Refer to All of the notes)				
Ref	Actual Back/ Cushion Size		For use on units w/ overall back Heights of:	
	Width	Height	Static/Tilt Backs ¹	Recline Backs ²
A1	20"	13"	16" or 17"	19" or 20"
B1	20"	15"	18" or 19"	21" or 22"
TC4V	20"	17"	20" or 21"	23" or 24"
D1	20"	19"	22" or 23"	25" or 26"
E1	20"	21"	24" or 25"	27" or 28"
F1	22"	13"	16" or 17"	19" or 20"
G1	22"	15"	18" or 19"	21" or 22"
H1	22"	17"	20" or 21"	23" or 24"
I1	22"	19"	22" or 23"	25" or 26"
J1	24"	13"	16" or 17"	19" or 20"
K1	24"	15"	18" or 19"	21" or 22"
TC4V	24"	17"	20" or 21"	23" or 24"
TC4V	24"	19"	22" or 23"	25" or 26"
TC4V	26"	15"	18" or 19"	21" or 22"
O1	26"	17"	20" or 21"	23" or 24"
TC4V	28"	15"	18" or 19"	21" or 22"
TC4V	28"	17"	20" or 21"	23" or 24"

1. The sizes represent a cushion to pan gap of 3" for even sized overall back heights and 4" for odd sized overall back heights.
2. The sizes represent a cushion to pan gap of 6" for odd sized overall back heights and 7" for even sized overall back heights.

TC4V = Refer to TRU-Comfort 4 Back Cushions.

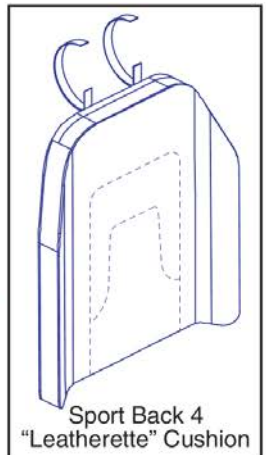


Item	Part No.	Name	Qty
A1	CUS121462	CUSHION PAD,ASSY,BACK,20"W,13"H,TC2,4 WAY STRETCH	1
B1	CUS121463	CUSHION PAD,ASSY,BACK,20"W,15"H,TC2,4 WAY STRETCH	1
C1		CUSHION PAD,ASSY,BACK,20"W,17"H,TC2,4 WAY STRETCH	1
D1	CUS121465	CUSHION PAD,ASSY,BACK,20"W,19"H,TC2,4 WAY STRETCH	1
E1	CUS121466	CUSHION PAD,ASSY,BACK,20"W,21"H,TC2,4 WAY STRETCH	1
F1	CUS121467	CUSHION PAD,ASSY,BACK,22"W,13"H,TC2,4 WAY STRETCH	1
G1	CUS121468	CUSHION PAD,ASSY,BACK,22"W,15"H,TC2,4 WAY STRETCH	1
H1	CUS121469	CUSHION PAD,ASSY,BACK,22"W,17"H,TC2,4 WAY STRETCH	1
I1	CUS121470	CUSHION PAD,ASSY,BACK,22"W,19"H,TC2,4 WAY STRETCH	1
J1	CUS121471	CUSHION PAD,ASSY,BACK,24"W,13"H,TC2,4 WAY STRETCH	1
K1	CUS121472	CUSHION PAD,ASSY,BACK,24"W,15"H,TC2,4 WAY STRETCH	1
L1		CUSHION PAD,ASSY,BACK,24"W,17"H,TC2,4 WAY STRETCH	1
M1		CUSHION PAD,ASSY,BACK,24"W,19"H,TC2,4 WAY STRETCH	1
N1		CUSHION PAD,ASSY,BACK,26"W,15"H,TC2,4 WAY STRETCH	1
O1	CUS121477	CUSHION PAD,ASSY,BACK,26"W,17"H,TC2,4 WAY STRETCH	1
P1		CUSHION PAD,ASSY,BACK,28"W,15"H,TC2,4 WAY STRETCH	1
Q1		CUSHION PAD,ASSY,BACK,28"W,17"H,TC2,4 WAY STRETCH	1
R1	MEC1907389	BACK CUSHION SECUREMENT BRACKET,REDESIGNED BACK,PAIR	1

7.2. Back Cushion - Sport & TRU-Comfort 2

The Sport Back Cushions have been discontinued and replaced by the Sport Back 4 Cushions.

- As of March 18th, 2020, only sizes listed with a callout are available for replacement. Limited quantities are on hand. Contact technical service for availability.
- If the desired size is not listed as available and the Ref # is listed as SB4, please refer to the Sport Back 4 Cushions pages for a replacement cushion.
- Please note that the replacement cushion will be slightly larger than the existing and it will contain securement straps. The straps can be tucked in between the cushion and the back pan.
- Cushion securement brackets can be procured and affixed to the center back pan. Please see below.

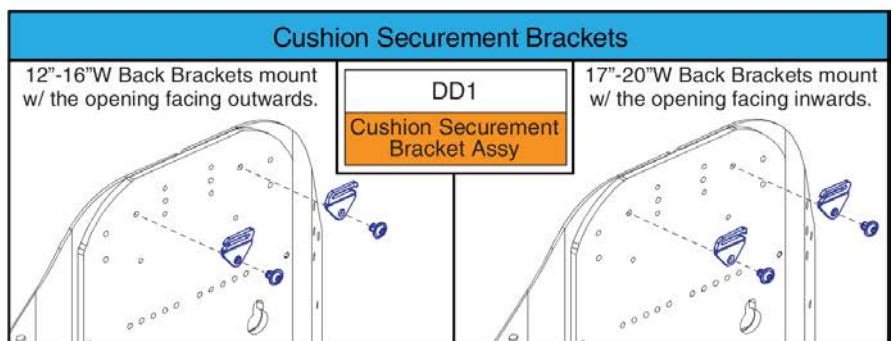


12" - 20" W Sport Back Cushions (Refer to All of the notes)				
Ref	Actual Back/ Cushion Size		For use on units w/ overall back Heights of:	
	Width	Height	Static/Tilt Backs ¹	Recline Backs ²
SB4	12"	11"	14" or 15"	17" or 18"
B1	12"	13"	16" or 17"	19" or 20"
C1	14"	11"	14" or 15"	17" or 18"
D1	14"	13"	16" or 17"	19" or 20"
E1	16"	13"	16" or 17"	19" or 20"
F1	16"	15"	18" or 19"	21" or 22"
G1	16"	17"	20" or 21"	23" or 24"
H1	16"	19"	22" or 23"	25" or 26"
I1	16"	21"	24" or 25"	27" or 28"
SB4	17"	13"	16" or 17"	19" or 20"
K1	17"	15"	18" or 19"	21" or 22"
L1	17"	17"	20" or 21"	23" or 24"
M1	17"	19"	22" or 23"	25" or 26"
N1	17"	21"	24" or 25"	27" or 28"
O1	18"	13"	16" or 17"	19" or 20"
P1	18"	15"	18" or 19"	21" or 22"
Q1	18"	17"	20" or 21"	23" or 24"
R1	18"	19"	22" or 23"	25" or 26"
S1	18"	21"	24" or 25"	27" or 28"
SB4	19"	13"	16" or 17"	19" or 20"
SB4	19"	15"	18" or 19"	21" or 22"

12" - 20" W Sport Back Cushions (Refer to All of the notes)				
Ref	Actual Back/ Cushion Size		For use on units w/ overall back Heights of:	
	Width	Height	Static/Tilt Backs ¹	Recline Backs ²
SB4	19"	17"	20" or 21"	23" or 24"
W1	19"	19"	22" or 23"	25" or 26"
X1	19"	21"	24" or 25"	27" or 28"
Y1	20"	13"	16" or 17"	19" or 20"
Z1	20"	15"	18" or 19"	21" or 22"
SB4	20"	17"	20" or 21"	23" or 24"
BB1	20"	19"	22" or 23"	25" or 26"
CC1	20"	21"	24" or 25"	27" or 28"

1. The sizes represent a cushion to pan gap of 3" for even sized overall back heights and 4" for odd sized overall back heights.
2. The sizes represent a cushion to pan gap of 6" for odd sized overall back heights and 7" for even sized overall back heights.

SB4 = Refer to Sport Back 4 Cushions.



Sport Back Cushions - 12"-20"W, TB3



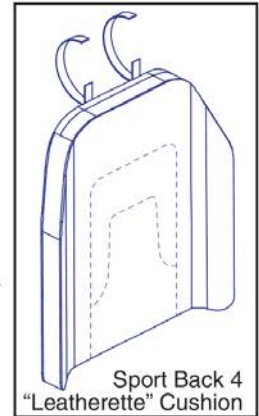
Item	Part No.	Name	Qty
A1		CUSHION PAD,ASSY,12"W,11"H,SPORT BACK,TRU-BALANCE 3	1
B1	CUS130539	CUSHION PAD,ASSY,12"W,13"H,SPORT BACK,TRU-BALANCE 3	1
C1	CUS125349	CUSHION PAD,ASSY,14"W,11"H,SPORT BACK,TRU-BALANCE 3	1
D1	CUS130540	CUSHION PAD,ASSY,14"W,13"H,SPORT BACK,TRU-BALANCE 3	1
E1	CUS130541	CUSHION PAD,ASSY,16"W,13"H,SPORT BACK,TRU-BALANCE 3	1
F1	CUS130553	CUSHION PAD,ASSY,16"W,15"H,SPORT BACK,TRU-BALANCE 3	1
G1	CUS125376	CUSHION PAD,ASSY,16"W,17"H,SPORT BACK,TRU-BALANCE 3	1
H1	CUS130576	CUSHION PAD,ASSY,16"W,19"H,SPORT BACK,TRU-BALANCE 3	1
I1	CUS130588	CUSHION PAD,ASSY,16"W,21"H,SPORT BACK,TRU-BALANCE 3	1
J1		CUSHION PAD,ASSY,17"W,13"H,SPORT BACK,TRU-BALANCE 3	1
K1	CUS130554	CUSHION PAD,ASSY,17"W,15"H,SPORT BACK,TRU-BALANCE 3	1
L1		CUSHION PAD,ASSY,17"W,17"H,SPORT BACK,TRU-BALANCE 3	1
M1	CUS130577	CUSHION PAD,ASSY,17"W,19"H,SPORT BACK,TRU-BALANCE 3	1
N1	CUS130589	CUSHION PAD,ASSY,17"W,21"H,SPORT BACK,TRU-BALANCE 3	1
O1	CUS130543	CUSHION PAD,ASSY,18"W,13"H,SPORT BACK,TRU-BALANCE 3	1
P1		CUSHION PAD,ASSY,18"W,15"H,SPORT BACK,TRU-BALANCE 3	1
Q1	CUS130566	CUSHION PAD,ASSY,18"W,17"H,SPORT BACK,TRU-BALANCE 3	1
R1	CUS130578	CUSHION PAD,ASSY,18"W,19"H,SPORT BACK,TRU-BALANCE 3	1
S1	CUS130590	CUSHION PAD,ASSY,18"W,21"H,SPORT BACK,TRU-BALANCE 3	1
T1		CUSHION PAD,ASSY,19"W,13"H,SPORT BACK,TRU-BALANCE 3	1
U1		CUSHION PAD,ASSY,19"W,15"H,SPORT BACK,TRU-BALANCE 3	1
V1		CUSHION PAD,ASSY,19"W,17"H,SPORT BACK,TRU-BALANCE 3	1
W1	CUS130579	CUSHION PAD,ASSY,19"W,19"H,SPORT BACK,TRU-BALANCE 3	1
X1	CUS130591	CUSHION PAD,ASSY,19"W,21"H,SPORT BACK,TRU-BALANCE 3	1
Y1	CUS130545	CUSHION PAD,ASSY,20"W,13"H,SPORT BACK,TRU-BALANCE 3	1
Z1		CUSHION PAD,ASSY,20"W,15"H,SPORT BACK,TRU-BALANCE 3	1
AA1		CUSHION PAD,ASSY,20"W,17"H,SPORT BACK,TRU-BALANCE 3	1
BB1		CUSHION PAD,ASSY,20"W,19"H,SPORT BACK,TRU-BALANCE 3	1
CC1	CUS130592	CUSHION PAD,ASSY,20"W,21"H,SPORT BACK,TRU-BALANCE 3	1
DD1	MEC1907389	BACK CUSHION SECUREMENT BRACKET,REDESIGNED BACK,PAIR	1

7.2. Back Cushion - Sport & TRU-Comfort 2

The Sport Back Cushions have been discontinued and replaced by the Sport Back 4 Cushions.

- As of March 18th, 2020, only sizes listed with a callout are available for replacement. Limited quantities are on hand. Contact technical service for availability.
- If the desired size is not listed as available and the Ref # is listed as SB4, please refer to the Sport Back 4 Cushions pages for a replacement cushion.
- Please note that the replacement cushion will be slightly larger than the existing and it will contain securement straps. The straps can be tucked in between the cushion and the back pan.
- Cushion securement brackets can be procured and affixed to the center back pan.

Please see below.

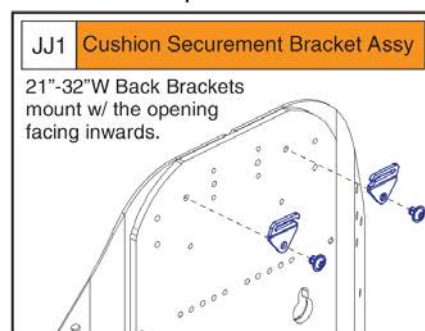


21" - 32" W Sport Back Cushions (Refer to All of the notes)				
Ref	Actual Back/ Cushion Size		For use on units w/ overall back Heights of:	
	Width	Height	Static/Tilt Backs ¹	Recline Backs ²
SB4	21"	13"	16" or 17"	19" or 20"
SB4	21"	15"	18" or 19"	21" or 22"
SB4	21"	17"	20" or 21"	23" or 24"
D1	21"	19"	22" or 23"	25" or 26"
E1	21"	21"	24" or 25"	27" or 28"
F1	22"	13"	16" or 17"	19" or 20"
SB4	22"	15"	18" or 19"	21" or 22"
H1	22"	17"	20" or 21"	23" or 24"
SB4	22"	19"	22" or 23"	25" or 26"
J1	22"	21"	24" or 25"	27" or 28"
K1	24"	13"	16" or 17"	19" or 20"
SB4	24"	15"	18" or 19"	21" or 22"
M1	24"	17"	20" or 21"	23" or 24"
N1	24"	19"	22" or 23"	25" or 26"
O1	24"	21"	24" or 25"	27" or 28"
SB4	26"	13"	16" or 17"	19" or 20"
SB4	26"	15"	18" or 19"	21" or 22"
R1	26"	17"	20" or 21"	23" or 24"
S1	26"	19"	22" or 23"	25" or 26"
T1	26"	21"	24" or 25"	27" or 28"
SB4	28"	13"	16" or 17"	19" or 20"
SB4	28"	15"	18" or 19"	21" or 22"
SB4	28"	17"	20" or 21"	23" or 24"
SB4	28"	19"	22" or 23"	25" or 26"

21" - 32" W Sport Back Cushions (Refer to All of the notes)				
Ref	Actual Back/ Cushion Size		For use on units w/ overall back Heights of:	
	Width	Height	Static/Tilt Backs ¹	Recline Backs ²
SB4	28"	21"	24" or 25"	27" or 28"
SB4	30"	13"	16" or 17"	19" or 20"
SB4	30"	15"	18" or 19"	21" or 22"
BB1	30"	17"	20" or 21"	23" or 24"
CC1	30"	19"	22" or 23"	25" or 26"
DD1	30"	21"	24" or 25"	27" or 28"
EE1	32"	13"	16" or 17"	19" or 20"
SB4	32"	15"	18" or 19"	21" or 22"
GG1	32"	17"	20" or 21"	23" or 24"
HH1	32"	19"	22" or 23"	25" or 26"
SB4	32"	21"	24" or 25"	27" or 28"

1. The sizes represent a cushion to pan gap of 3" for even sized overall back heights and 4" for odd sized overall back heights.
2. The sizes represent a cushion to pan gap of 6" for odd sized overall back heights and 7" for even sized overall back heights.

SB4 = Refer to Sport Back 4 Cushions



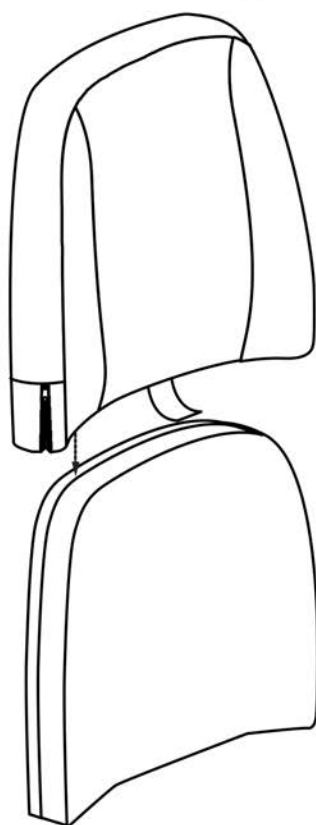
Sport Back Cushions - 21"-32"W, TB3



Item	Part No.	Name	Qty
A1		CUSHION PAD,ASSY,21"W,13"H,SPORT BACK,TRU-BALANCE 3	1
B1		CUSHION PAD,ASSY,21"W,15"H,SPORT BACK,TRU-BALANCE 3	1
C1		CUSHION PAD,ASSY,21"W,17"H,SPORT BACK,TRU-BALANCE 3	1
D1	CUS130581	CUSHION PAD,ASSY,21"W,19"H,SPORT BACK,TRU-BALANCE 3	1
E1	CUS130593	CUSHION PAD,ASSY,21"W,21"H,SPORT BACK,TRU-BALANCE 3	1
F1	CUS130547	CUSHION PAD,ASSY,22"W,13"H,SPORT BACK,TRU-BALANCE 3	1
G1		CUSHION PAD,ASSY,22"W,15"H,SPORT BACK,TRU-BALANCE 3	1
H1	CUS130570	CUSHION PAD,ASSY,22"W,17"H,SPORT BACK,TRU-BALANCE 3	1
I1		CUSHION PAD,ASSY,22"W,19"H,SPORT BACK,TRU-BALANCE 3	1
J1	CUS130594	CUSHION PAD,ASSY,22"W,21"H,SPORT BACK,TRU-BALANCE 3	1
K1	CUS130548	CUSHION PAD,ASSY,24"W,13"H,SPORT BACK,TRU-BALANCE 3	1
L1		CUSHION PAD,ASSY,24"W,15"H,SPORT BACK,TRU-BALANCE 3	1
M1	CUS130571	CUSHION PAD,ASSY,24"W,17"H,SPORT BACK,TRU-BALANCE 3	1
N1	CUS130583	CUSHION PAD,ASSY,24"W,19"H,SPORT BACK,TRU-BALANCE 3	1
O1	CUS125383	CUSHION PAD,ASSY,24"W,21"H,SPORT BACK,TRU-BALANCE 3	1
P1		CUSHION PAD,ASSY,26"W,13"H,SPORT BACK,TRU-BALANCE 3	1
Q1		CUSHION PAD,ASSY,26"W,15"H,SPORT BACK,TRU-BALANCE 3	1
R1	CUS130572	CUSHION PAD,ASSY,26"W,17"H,SPORT BACK,TRU-BALANCE 3	1
S1	CUS130584	CUSHION PAD,ASSY,26"W,19"H,SPORT BACK,TRU-BALANCE 3	1
T1	CUS130596	CUSHION PAD,ASSY,26"W,21"H,SPORT BACK,TRU-BALANCE 3	1
U1		CUSHION PAD,ASSY,28"W,13"H,SPORT BACK,TRU-BALANCE 3	1
V1		CUSHION PAD,ASSY,28"W,15"H,SPORT BACK,TRU-BALANCE 3	1
W1		CUSHION PAD,ASSY,28"W,17"H,SPORT BACK,TRU-BALANCE 3	1
X1		CUSHION PAD,ASSY,28"W,19"H,SPORT BACK,TRU-BALANCE 3	1
Y1		CUSHION PAD,ASSY,28"W,21"H,SPORT BACK,TRU-BALANCE 3	1
Z1		CUSHION PAD,ASSY,30"W,13"H,SPORT BACK,TRU-BALANCE 3	1
AA1		CUSHION PAD,ASSY,30"W,15"H,SPORT BACK,TRU-BALANCE 3	1
BB1	CUS130574	CUSHION PAD,ASSY,30"W,17"H,SPORT BACK,TRU-BALANCE 3	1
CC1	CUS130586	CUSHION PAD,ASSY,30"W,19"H,SPORT BACK,TRU-BALANCE 3	1
DD1	CUS130598	CUSHION PAD,ASSY,30"W,21"H,SPORT BACK,TRU-BALANCE 3	1
EE1		CUSHION PAD,ASSY,32"W,13"H,SPORT BACK,TRU-BALANCE 3	1
FF1		CUSHION PAD,ASSY,32"W,15"H,SPORT BACK,TRU-BALANCE 3	1
GG1		CUSHION PAD,ASSY,32"W,17"H,SPORT BACK,TRU-BALANCE 3	1
HH1	CUS130587	CUSHION PAD,ASSY,32"W,19"H,SPORT BACK,TRU-BALANCE 3	1
II1		CUSHION PAD,ASSY,32"W,21"H,SPORT BACK,TRU-BALANCE 3	2
JJ1	MEC1907389	BACK CUSHION SECUREMENT BRACKET,REDESIGNED BACK,PAIR	1

7.2. Back Cushion - Sport & TRU-Comfort 2

The Tru-Comfort 2 Mesh Back Cushions have been discontinued and are no longer available for replacement.



Please Contact Technical Service for replacement options.

This page intentionally left blank

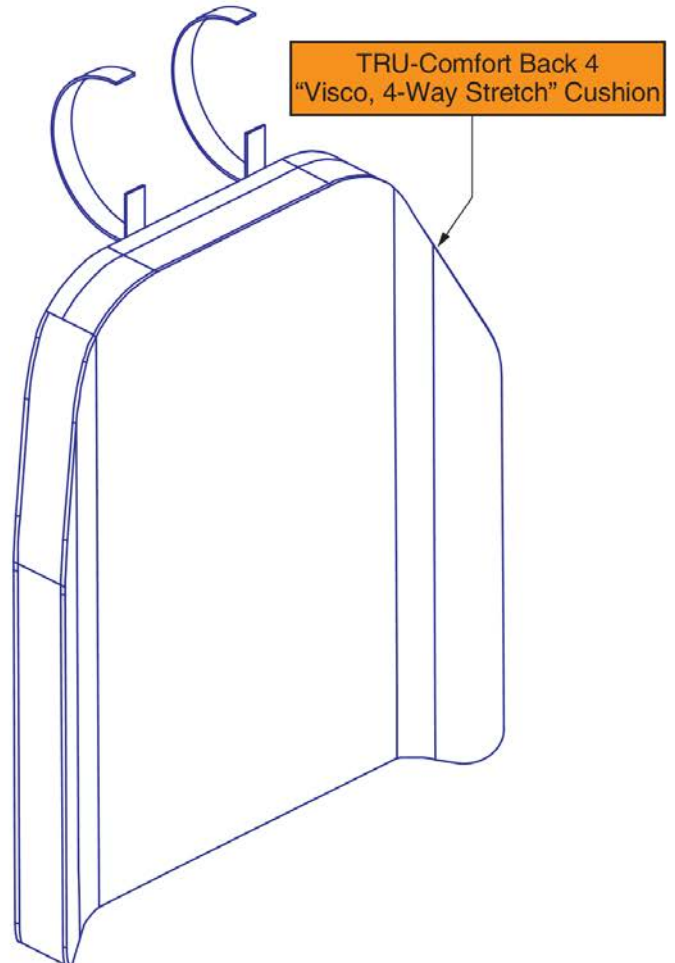
7.2.1. TRU-Comfort 4 Back Cushions

14" - 18" W TRU-Comfort Back 4 Cushions				
Ref	Actual Back/ Cushion Size		For use on units with overall back Heights of:	
	Width	Height	Static/Tilt Backs ¹	Recline Backs ²
A1	14"	13"	16" or 17"	19" or 20"
B1	14"	15"	18" or 19"	21" or 22"
C1	14"	17"	20" or 21"	23" or 24"
D1	14"	19"	22" or 23"	25" or 26"
E1	14"	21"	24" or 25"	27" or 28"
F1	14"	23"	26" or 27"	29" or 30"
G1	14"	25"	28" or 29"	31" or 32"
H1	15"	13"	16" or 17"	19" or 20"
I1	15"	15"	18" or 19"	21" or 22"
J1	15"	17"	20" or 21"	23" or 24"
K1	15"	19"	22" or 23"	25" or 26"
L1	15"	21"	24" or 25"	27" or 28"
M1	15"	23"	26" or 27"	29" or 30"
N1	15"	25"	28" or 29"	31" or 32"
O1	16"	13"	16" or 17"	19" or 20"
P1	16"	15"	18" or 19"	21" or 22"
Q1	16"	17"	20" or 21"	23" or 24"
R1	16"	19"	22" or 23"	25" or 26"
S1	16"	21"	24" or 25"	27" or 28"
T1	16"	23"	26" or 27"	29" or 30"
U1	16"	25"	28" or 29"	31" or 32"
V1	17"	13"	16" or 17"	19" or 20"
W1	17"	15"	18" or 19"	21" or 22"
X1	17"	17"	20" or 21"	23" or 24"
Y1	17"	19"	22" or 23"	25" or 26"
Z1	17"	21"	24" or 25"	27" or 28"
AA1	17"	23"	26" or 27"	29" or 30"
BB1	17"	25"	28" or 29"	31" or 32"
CC1	18"	13"	16" or 17"	19" or 20"
DD1	18"	15"	18" or 19"	21" or 22"

14" - 18" W TRU-Comfort Back 4 Cushions				
Ref	Actual Back/ Cushion Size		For use on units with overall back Heights of:	
	Width	Height	Static/Tilt Backs ¹	Recline Backs ²
EE1	18"	17"	20" or 21"	23" or 24"
FF1	18"	19"	22" or 23"	25" or 26"
GG1	18"	21"	24" or 25"	27" or 28"
HH1	18"	23"	26" or 27"	29" or 30"
II1	18"	25"	28" or 29"	31" or 32"

These assemblies include the Complete TRU-Comfort Back 4 Cushion. The outer cover is available separately.

1. The sizes represent a cushion to pan gap of 3" for even sized overall back heights and 4" for odd sized overall back heights.
2. The sizes represent a cushion to pan gap of 6" for odd sized overall back heights and 7" for even sized overall back heights



TRU-Comfort 4 Back Cushions, 14"-18"W



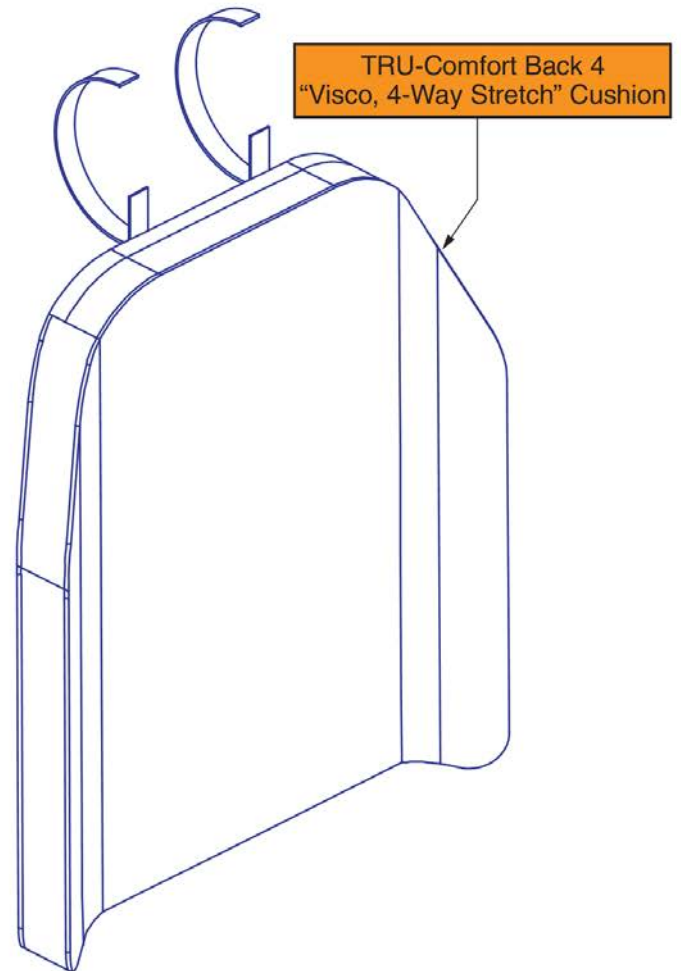
Item	Part No.	Name	Qty
A1	QU-TC4V-1413	QUANTUM,CUSHION,ASSY,BACK,VISCO,14"W,13"H, TRU-COMFORT 4, 4 WAY STRETCH	1
B1	QU-TC4V-1415	QUANTUM,CUSHION,ASSY,BACK,VISCO,14"W,15"H, TRU-COMFORT 4, 4 WAY STRETCH	1
C1	QU-TC4V-1417	QUANTUM,CUSHION,ASSY,BACK,VISCO,14"W,17"H, TRU-COMFORT 4, 4 WAY STRETCH	1
D1	QU-TC4V-1419	QUANTUM,CUSHION,ASSY,BACK,VISCO,14"W,19"H, TRU-COMFORT 4, 4 WAY STRETCH	1
E1	QU-TC4V-1421	QUANTUM,CUSHION,ASSY,BACK,VISCO,14"W,21"H, TRU-COMFORT 4, 4 WAY STRETCH	1
F1	QU-TC4V-1423	QUANTUM,CUSHION,ASSY,BACK,VISCO,14"W,23"H, TRU-COMFORT 4, 4 WAY STRETCH	1
G1	QU-TC4V-1425	QUANTUM,CUSHION,ASSY,BACK,VISCO,14"W,25"H, TRU-COMFORT 4, 4 WAY STRETCH	1
H1	QU-TC4V-1513	QUANTUM,CUSHION,ASSY,BACK,VISCO,15"W,13"H, TRU-COMFORT 4, 4 WAY STRETCH	1
I1	QU-TC4V-1515	QUANTUM,CUSHION,ASSY,BACK,VISCO,15"W,15"H, TRU-COMFORT 4, 4 WAY STRETCH	1
J1	QU-TC4V-1517	QUANTUM,CUSHION,ASSY,BACK,VISCO,15"W,17"H, TRU-COMFORT 4, 4 WAY STRETCH	1
K1	QU-TC4V-1519	QUANTUM,CUSHION,ASSY,BACK,VISCO,15"W,19"H, TRU-COMFORT 4, 4 WAY STRETCH	1
L1	QU-TC4V-1521	QUANTUM,CUSHION,ASSY,BACK,VISCO,15"W,21"H, TRU-COMFORT 4, 4 WAY STRETCH	1
M1	QU-TC4V-1523	QUANTUM,CUSHION,ASSY,BACK,VISCO,15"W,23"H, TRU-COMFORT 4, 4 WAY STRETCH	1
N1	QU-TC4V-1525	QUANTUM,CUSHION,ASSY,BACK,VISCO,15"W,25"H, TRU-COMFORT 4, 4 WAY STRETCH	1
O1	QU-TC4V-1613	QUANTUM,CUSHION,ASSY,BACK,VISCO,16"W,13"H, TRU-COMFORT 4, 4 WAY STRETCH	1
P1	QU-TC4V-1615	QUANTUM,CUSHION,ASSY,BACK,VISCO,16"W,15"H, TRU-COMFORT 4, 4 WAY STRETCH	1
Q1	QU-TC4V-1617	QUANTUM,CUSHION,ASSY,BACK,VISCO,16"W,17"H, TRU-COMFORT 4, 4 WAY STRETCH	1
R1	QU-TC4V-1619	QUANTUM,CUSHION,ASSY,BACK,VISCO,16"W,19"H, TRU-COMFORT 4, 4 WAY STRETCH	1
S1	QU-TC4V-1621	QUANTUM,CUSHION,ASSY,BACK,VISCO,16"W,21"H, TRU-COMFORT 4, 4 WAY STRETCH	1
T1	QU-TC4V-1623	QUANTUM,CUSHION,ASSY,BACK,VISCO,16"W,23"H, TRU-COMFORT 4, 4 WAY STRETCH	1
U1	QU-TC4V-1625	QUANTUM,CUSHION,ASSY,BACK,VISCO,16"W,25"H, TRU-COMFORT 4, 4 WAY STRETCH	1
V1	QU-TC4V-1713	QUANTUM,CUSHION,ASSY,BACK,VISCO,17"W,13"H, TRU-COMFORT 4, 4 WAY STRETCH	1
W1	QU-TC4V-1715	QUANTUM,CUSHION,ASSY,BACK,VISCO,17"W,15"H, TRU-COMFORT 4, 4 WAY STRETCH	1
X1	QU-TC4V-1717	QUANTUM,CUSHION,ASSY,BACK,VISCO,17"W,17"H, TRU-COMFORT 4, 4 WAY STRETCH	1
Y1	QU-TC4V-1719	QUANTUM,CUSHION,ASSY,BACK,VISCO,17"W,19"H, TRU-COMFORT 4, 4 WAY STRETCH	1
Z1	QU-TC4V-1721	QUANTUM,CUSHION,ASSY,BACK,VISCO,17"W,21"H, TRU-COMFORT 4, 4 WAY STRETCH	1
AA1	QU-TC4V-1723	QUANTUM,CUSHION,ASSY,BACK,VISCO,17"W,23"H, TRU-COMFORT 4, 4 WAY STRETCH	1
BB1	QU-TC4V-1725	QUANTUM,CUSHION,ASSY,BACK,VISCO,17"W,25"H, TRU-COMFORT 4, 4 WAY STRETCH	1
CC1	QU-TC4V-1813	QUANTUM,CUSHION,ASSY,BACK,VISCO,18"W,13"H, TRU-COMFORT 4, 4 WAY STRETCH	1
DD1	QU-TC4V-1815	QUANTUM,CUSHION,ASSY,BACK,VISCO,18"W,15"H, TRU-COMFORT 4, 4 WAY STRETCH	1
EE1	QU-TC4V-1817	QUANTUM,CUSHION,ASSY,BACK,VISCO,18"W,17"H, TRU-COMFORT 4, 4 WAY STRETCH	1
FF1	QU-TC4V-1819	QUANTUM,CUSHION,ASSY,BACK,VISCO,18"W,19"H, TRU-COMFORT 4, 4 WAY STRETCH	1
GG1	QU-TC4V-1821	QUANTUM,CUSHION,ASSY,BACK,VISCO,18"W,21"H, TRU-COMFORT 4, 4 WAY STRETCH	1
HH1	QU-TC4V-1823	QUANTUM,CUSHION,ASSY,BACK,VISCO,18"W,23"H, TRU-COMFORT 4, 4 WAY STRETCH	1
II1	QU-TC4V-1825	QUANTUM,CUSHION,ASSY,BACK,VISCO,18"W,25"H, TRU-COMFORT 4, 4 WAY STRETCH	1

7.2.1. TRU-Comfort 4 Back Cushions

19" - 22" W TRU-Comfort Back 4 Cushions				
Ref	Actual Back/ Cushion Size		For use on units with overall back Heights of:	
	Width	Height	Static/Tilt Backs ¹	Recline Backs ²
A1	19"	13"	16" or 17"	19" or 20"
B1	19"	15"	18" or 19"	21" or 22"
C1	19"	17"	20" or 21"	23" or 24"
D1	19"	19"	22" or 23"	25" or 26"
E1	19"	21"	24" or 25"	27" or 28"
F1	19"	23"	26" or 27"	29" or 30"
G1	19"	25"	28" or 29"	31" or 32"
H1	20"	13"	16" or 17"	19" or 20"
I1	20"	15"	18" or 19"	21" or 22"
J1	20"	17"	20" or 21"	23" or 24"
K1	20"	19"	22" or 23"	25" or 26"
L1	20"	21"	24" or 25"	27" or 28"
M1	20"	23"	26" or 27"	29" or 30"
N1	20"	25"	28" or 29"	31" or 32"
O1	21"	13"	16" or 17"	19" or 20"
P1	21"	15"	18" or 19"	21" or 22"
Q1	21"	17"	20" or 21"	23" or 24"
R1	21"	19"	22" or 23"	25" or 26"
S1	21"	21"	24" or 25"	27" or 28"
T1	21"	23"	26" or 27"	29" or 30"
U1	21"	25"	28" or 29"	31" or 32"
V1	22"	13"	16" or 17"	19" or 20"
W1	22"	15"	18" or 19"	21" or 22"
X1	22"	17"	20" or 21"	23" or 24"
Y1	22"	19"	22" or 23"	25" or 26"
Z1	22"	21"	24" or 25"	27" or 28"
AA1	22"	23"	26" or 27"	29" or 30"
BB1	22"	25"	28" or 29"	31" or 32"

These assemblies include the Complete TRU-Comfort Back 4 Cushion. The outer cover is available separately.

1. The sizes represent a cushion to pan gap of 3" for even sized overall back heights and 4" for odd sized overall back heights.
2. The sizes represent a cushion to pan gap of 6" for odd sized overall back heights and 7" for even sized overall back heights



TRU-Comfort 4 Back Cushions, 19"-22"W



Item	Part No.	Name	Qty
A1	QU-TC4V-1913	QUANTUM,CUSHION,ASSY,BACK,VISCO,19"W,13"H, TRU-COMFORT 4, 4 WAY STRETCH	1
B1	QU-TC4V-1915	QUANTUM,CUSHION,ASSY,BACK,VISCO,19"W,15"H, TRU-COMFORT 4, 4 WAY STRETCH	1
C1	QU-TC4V-1917	QUANTUM,CUSHION,ASSY,BACK,VISCO,19"W,17"H, TRU-COMFORT 4, 4 WAY STRETCH	1
D1	QU-TC4V-1919	QUANTUM,CUSHION,ASSY,BACK,VISCO,19"W,19"H, TRU-COMFORT 4, 4 WAY STRETCH	1
E1	QU-TC4V-1921	QUANTUM,CUSHION,ASSY,BACK,VISCO,19"W,21"H, TRU-COMFORT 4, 4 WAY STRETCH	1
F1	QU-TC4V-1923	QUANTUM,CUSHION,ASSY,BACK,VISCO,19"W,23"H, TRU-COMFORT 4, 4 WAY STRETCH	1
G1	QU-TC4V-1925	QUANTUM,CUSHION,ASSY,BACK,VISCO,19"W,25"H, TRU-COMFORT 4, 4 WAY STRETCH	1
H1	QU-TC4V-2013	QUANTUM,CUSHION,ASSY,BACK,VISCO,20"W,13"H, TRU-COMFORT 4, 4 WAY STRETCH	1
I1	QU-TC4V-2015	QUANTUM,CUSHION,ASSY,BACK,VISCO,20"W,15"H, TRU-COMFORT 4, 4 WAY STRETCH	1
J1	QU-TC4V-2017	QUANTUM,CUSHION,ASSY,BACK,VISCO,20"W,17"H, TRU-COMFORT 4, 4 WAY STRETCH	1
K1	QU-TC4V-2019	QUANTUM,CUSHION,ASSY,BACK,VISCO,20"W,19"H, TRU-COMFORT 4, 4 WAY STRETCH	1
L1	QU-TC4V-2021	QUANTUM,CUSHION,ASSY,BACK,VISCO,20"W,21"H, TRU-COMFORT 4, 4 WAY STRETCH	1
M1	QU-TC4V-2023	QUANTUM,CUSHION,ASSY,BACK,VISCO,20"W,23"H, TRU-COMFORT 4, 4 WAY STRETCH	1
N1	QU-TC4V-2025	QUANTUM,CUSHION,ASSY,BACK,VISCO,20"W,25"H, TRU-COMFORT 4, 4 WAY STRETCH	1
O1	QU-TC4V-2113	QUANTUM,CUSHION,ASSY,BACK,VISCO,21"W,13"H, TRU-COMFORT 4, 4 WAY STRETCH	1
P1	QU-TC4V-2115	QUANTUM,CUSHION,ASSY,BACK,VISCO,21"W,15"H, TRU-COMFORT 4, 4 WAY STRETCH	1
Q1	QU-TC4V-2117	QUANTUM,CUSHION,ASSY,BACK,VISCO,21"W,17"H, TRU-COMFORT 4, 4 WAY STRETCH	1
R1	QU-TC4V-2119	QUANTUM,CUSHION,ASSY,BACK,VISCO,21"W,19"H, TRU-COMFORT 4, 4 WAY STRETCH	1
S1	QU-TC4V-2121	QUANTUM,CUSHION,ASSY,BACK,VISCO,21"W,21"H, TRU-COMFORT 4, 4 WAY STRETCH	1
T1	QU-TC4V-2123	QUANTUM,CUSHION,ASSY,BACK,VISCO,21"W,23"H, TRU-COMFORT 4, 4 WAY STRETCH	1
U1	QU-TC4V-2125	QUANTUM,CUSHION,ASSY,BACK,VISCO,21"W,25"H, TRU-COMFORT 4, 4 WAY STRETCH	1
V1	QU-TC4V-2213	QUANTUM,CUSHION,ASSY,BACK,VISCO,22"W,13"H, TRU-COMFORT 4, 4 WAY STRETCH	1
W1	QU-TC4V-2215	QUANTUM,CUSHION,ASSY,BACK,VISCO,22"W,15"H, TRU-COMFORT 4, 4 WAY STRETCH	1
X1	QU-TC4V-2217	QUANTUM,CUSHION,ASSY,BACK,VISCO,22"W,17"H, TRU-COMFORT 4, 4 WAY STRETCH	1
Y1	QU-TC4V-2219	QUANTUM,CUSHION,ASSY,BACK,VISCO,22"W,19"H, TRU-COMFORT 4, 4 WAY STRETCH	1
Z1	QU-TC4V-2221	QUANTUM,CUSHION,ASSY,BACK,VISCO,22"W,21"H, TRU-COMFORT 4, 4 WAY STRETCH	1
AA1	QU-TC4V-2223	QUANTUM,CUSHION,ASSY,BACK,VISCO,22"W,23"H, TRU-COMFORT 4, 4 WAY STRETCH	1
BB1	QU-TC4V-2225	QUANTUM,CUSHION,ASSY,BACK,VISCO,22"W,25"H, TRU-COMFORT 4, 4 WAY STRETCH	1

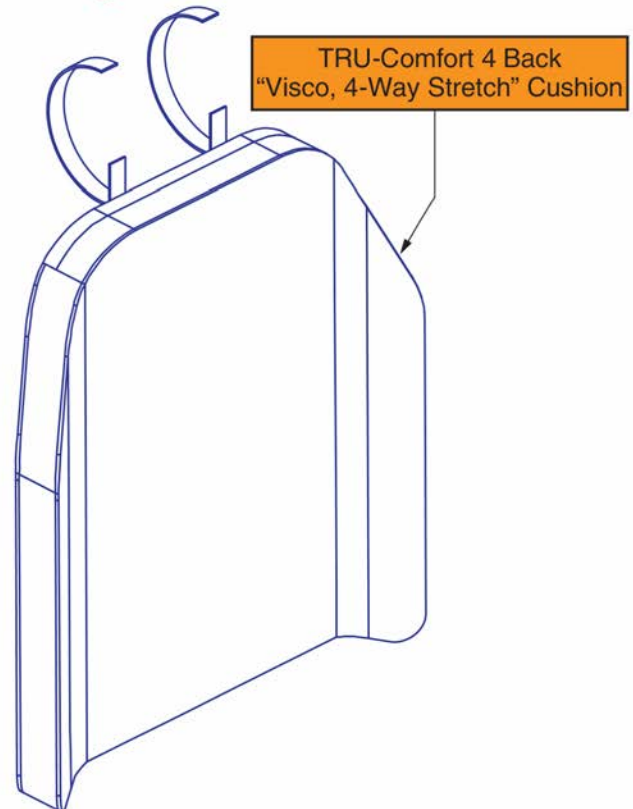
7.2.1. TRU-Comfort 4 Back Cushions

24" - 28" W TRU-Comfort 4 Back Cushions				
Actual Back/ Cushion Size			For use on units with overall back Heights of:	
Ref	Width	Height	Static/Tilt Backs ¹	Recline Backs ²
A1	24"	13"	16" or 17"	19" or 20"
B1	24"	15"	18" or 19"	21" or 22"
C1	24"	17"	20" or 21"	23" or 24"
D1	24"	19"	22" or 23"	25" or 26"
E1	24"	21"	24" or 25"	27" or 28"
F1	24"	23"	26" or 27"	29" or 30"
G1	24"	25"	28" or 29"	31" or 32"
H1	26"	13"	16" or 17"	19" or 20"
I1	26"	15"	18" or 19"	21" or 22"
J1	26"	17"	20" or 21"	23" or 24"
K1	26"	19"	22" or 23"	25" or 26"
L1	26"	21"	24" or 25"	27" or 28"
M1	26"	23"	26" or 27"	29" or 30"
N1	26"	25"	28" or 29"	31" or 32"
O1	28"	13"	16" or 17"	19" or 20"
P1	28"	15"	18" or 19"	21" or 22"
Q1	28"	17"	20" or 21"	23" or 24"
R1	28"	19"	22" or 23"	25" or 26"
S1	28"	21"	24" or 25"	27" or 28"
T1	28"	23"	26" or 27"	29" or 30"
U1	28"	25"	28" or 29"	31" or 32"

These assemblies include the Complete TRU-Comfort 4 Back Cushion. The outer cover is available separately.

- The Cushion sizes listed may have a prolonged lead time when attempting to procure a replacement for an unavailable TRU-Comfort 2 Cushion.
- Contact technical service for availability and lead times.

1. The sizes represent a cushion to pan gap of 3" for even sized overall back heights and 4" for odd sized overall back heights.
2. The sizes represent a cushion to pan gap of 6" for odd sized overall back heights and 7" for even sized overall back heights.



TRU-Comfort 4 Back Cushions, 24"-28"W



Item	Part No.	Name	Qty
A1	QU-TC4V-2413	QUANTUM,CUSHION,ASSY,BACK,VISCO,24"W,13"H, TRU-COMFORT 4, 4 WAY STRETCH	1
B1	QU-TC4V-2415	QUANTUM,CUSHION,ASSY,BACK,VISCO,24"W,15"H, TRU-COMFORT 4, 4 WAY STRETCH	1
C1	QU-TC4V-2417	QUANTUM,CUSHION,ASSY,BACK,VISCO,24"W,17"H, TRU-COMFORT 4, 4 WAY STRETCH	1
D1	QU-TC4V-2419	QUANTUM,CUSHION,ASSY,BACK,VISCO,24"W,19"H, TRU-COMFORT 4, 4 WAY STRETCH	1
E1	QU-TC4V-2421	QUANTUM,CUSHION,ASSY,BACK,VISCO,24"W,21"H, TRU-COMFORT 4, 4 WAY STRETCH	1
F1	QU-TC4V-2423	QUANTUM,CUSHION,ASSY,BACK,VISCO,24"W,23"H, TRU-COMFORT 4, 4 WAY STRETCH	1
G1	QU-TC4V-2425	QUANTUM,CUSHION,ASSY,BACK,VISCO,24"W,25"H, TRU-COMFORT 4, 4 WAY STRETCH	1
H1	QU-TC4V-2613	QUANTUM,CUSHION,ASSY,BACK,VISCO,26"W,13"H, TRU-COMFORT 4, 4 WAY STRETCH	1
I1	QU-TC4V-2615	QUANTUM,CUSHION,ASSY,BACK,VISCO,26"W,15"H, TRU-COMFORT 4, 4 WAY STRETCH	1
J1	QU-TC4V-2617	QUANTUM,CUSHION,ASSY,BACK,VISCO,26"W,17"H, TRU-COMFORT 4, 4 WAY STRETCH	1
K1	QU-TC4V-2619	QUANTUM,CUSHION,ASSY,BACK,VISCO,26"W,19"H, TRU-COMFORT 4, 4 WAY STRETCH	1
L1	QU-TC4V-2621	QUANTUM,CUSHION,ASSY,BACK,VISCO,26"W,21"H, TRU-COMFORT 4, 4 WAY STRETCH	1
M1	QU-TC4V-2623	QUANTUM,CUSHION,ASSY,BACK,VISCO,26"W,23"H, TRU-COMFORT 4, 4 WAY STRETCH	1
N1	QU-TC4V-2625	QUANTUM,CUSHION,ASSY,BACK,VISCO,26"W,25"H, TRU-COMFORT 4, 4 WAY STRETCH	1
O1	QU-TC4V-2813	QUANTUM,CUSHION,ASSY,BACK,VISCO,28"W,13"H, TRU-COMFORT 4, 4 WAY STRETCH	1
P1	QU-TC4V-2815	QUANTUM,CUSHION,ASSY,BACK,VISCO,28"W,15"H, TRU-COMFORT 4, 4 WAY STRETCH	1
Q1	QU-TC4V-2817	QUANTUM,CUSHION,ASSY,BACK,VISCO,28"W,17"H, TRU-COMFORT 4, 4 WAY STRETCH	1
R1	QU-TC4V-2819	QUANTUM,CUSHION,ASSY,BACK,VISCO,28"W,19"H, TRU-COMFORT 4, 4 WAY STRETCH	1
S1	QU-TC4V-2821	QUANTUM,CUSHION,ASSY,BACK,VISCO,28"W,21"H, TRU-COMFORT 4, 4 WAY STRETCH	1
T1	QU-TC4V-2823	QUANTUM,CUSHION,ASSY,BACK,VISCO,28"W,23"H, TRU-COMFORT 4, 4 WAY STRETCH	1
U1	QU-TC4V-2825	QUANTUM,CUSHION,ASSY,BACK,VISCO,28"W,25"H, TRU-COMFORT 4, 4 WAY STRETCH	1

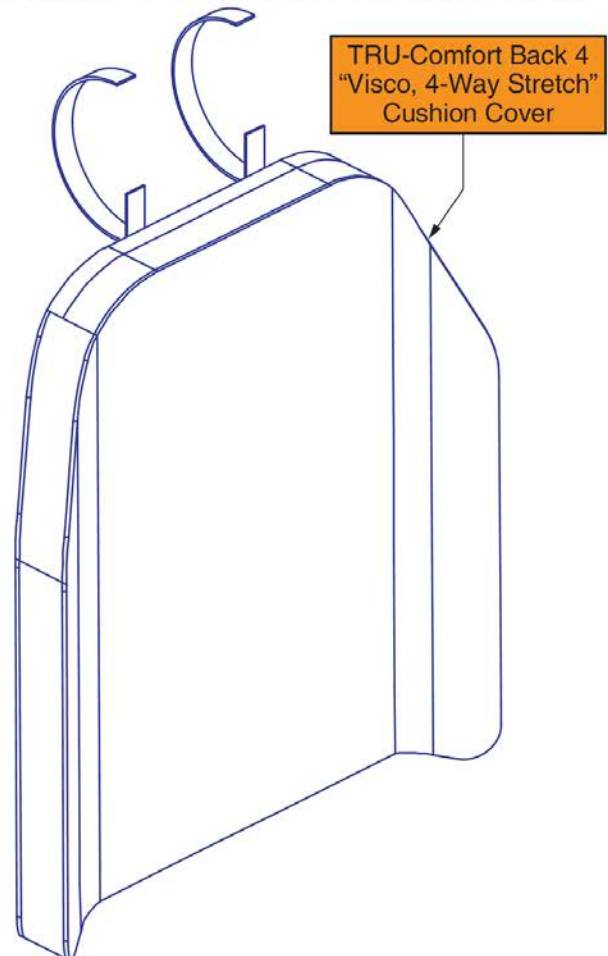
7.2.1. TRU-Comfort 4 Back Cushions

14" - 18" W TRU-Comfort Back 4 Cushion Covers				
Ref	Actual Back/ Cushion Size		For use on units with overall back Heights of:	
	Width	Height	Static/Tilt Backs ¹	Recline Backs ²
A1	14"	13"	16" or 17"	19" or 20"
B1	14"	15"	18" or 19"	21" or 22"
C1	14"	17"	20" or 21"	23" or 24"
D1	14"	19"	22" or 23"	25" or 26"
E1	14"	21"	24" or 25"	27" or 28"
F1	14"	23"	26" or 27"	29" or 30"
G1	14"	25"	28" or 29"	31" or 32"
H1	15"	13"	16" or 17"	19" or 20"
I1	15"	15"	18" or 19"	21" or 22"
J1	15"	17"	20" or 21"	23" or 24"
K1	15"	19"	22" or 23"	25" or 26"
L1	15"	21"	24" or 25"	27" or 28"
M1	15"	23"	26" or 27"	29" or 30"
N1	15"	25"	28" or 29"	31" or 32"
O1	16"	13"	16" or 17"	19" or 20"
P1	16"	15"	18" or 19"	21" or 22"
Q1	16"	17"	20" or 21"	23" or 24"
R1	16"	19"	22" or 23"	25" or 26"
S1	16"	21"	24" or 25"	27" or 28"
T1	16"	23"	26" or 27"	29" or 30"
U1	16"	25"	28" or 29"	31" or 32"
V1	17"	13"	16" or 17"	19" or 20"
W1	17"	15"	18" or 19"	21" or 22"
X1	17"	17"	20" or 21"	23" or 24"
Y1	17"	19"	22" or 23"	25" or 26"
Z1	17"	21"	24" or 25"	27" or 28"
AA1	17"	23"	26" or 27"	29" or 30"
BB1	17"	25"	28" or 29"	31" or 32"
CC1	18"	13"	16" or 17"	19" or 20"
DD1	18"	15"	18" or 19"	21" or 22"

14" - 18" W TRU-Comfort Back 4 Cushion Covers				
Ref	Actual Back/ Cushion Size		For use on units with overall back Heights of:	
	Width	Height	Static/Tilt Backs ¹	Recline Backs ²
EE1	18"	17"	20" or 21"	23" or 24"
FF1	18"	19"	22" or 23"	25" or 26"
GG1	18"	21"	24" or 25"	27" or 28"
HH1	18"	23"	26" or 27"	29" or 30"
II1	18"	25"	28" or 29"	31" or 32"

These assemblies include the Complete TRU-Comfort Back 4 Cushion Outer Cover. All other components are only available with the complete cushion assy.

1. The sizes represent a cushion to pan gap of 3" for even sized overall back heights and 4" for odd sized overall back heights.
2. The sizes represent a cushion to pan gap of 6" for odd sized overall back heights and 7" for even sized overall back heights



TRU-Comfort 4 Back Cushion Covers, 14"-18"W



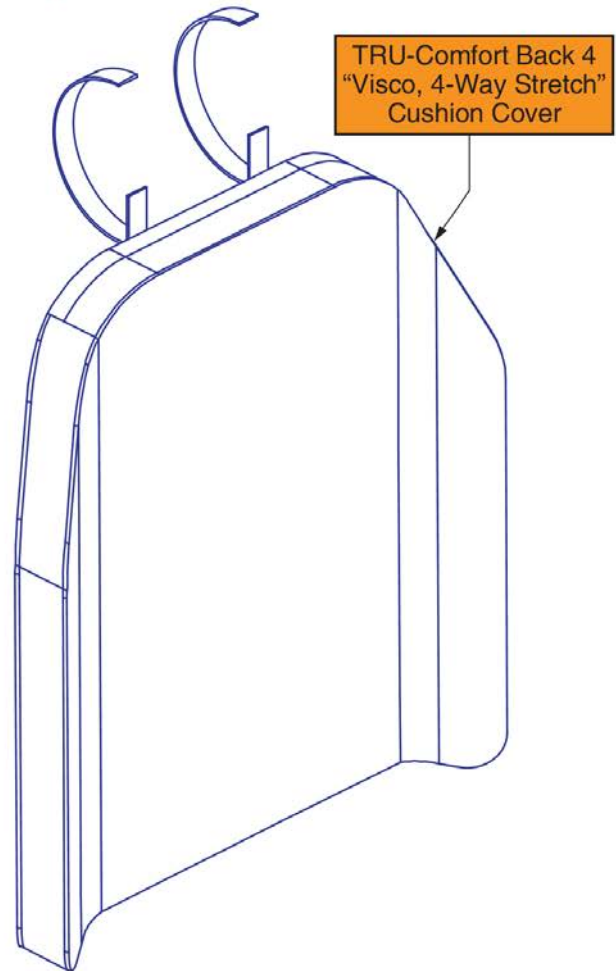
Item	Part No.	Name	Qty
A1	TC4-NBLK1413	CUSHION COVER,ASSY,TC4,4 WAY STRETCH,14"W, 13"D	1
B1	TC4-NBLK1415	CUSHION COVER,ASSY,TC4,4 WAY STRETCH,14"W, 15"D	1
C1	TC4-NBLK1417	CUSHION COVER,ASSY,TC4,4 WAY STRETCH,14"W, 17"D	1
D1	TC4-NBLK1419	CUSHION COVER,ASSY,TC4,4 WAY STRETCH,14"W, 19"D	1
E1	TC4-NBLK1421	CUSHION COVER,ASSY,TC4,4 WAY STRETCH,14"W, 21"D	1
F1	TC4-NBLK1423	CUSHION COVER,ASSY,TC4,4 WAY STRETCH,14"W, 23"D	1
G1	TC4-NBLK1425	CUSHION COVER,ASSY,TC4,4 WAY STRETCH,14"W, 25"D	1
H1	TC4-NBLK1513	CUSHION COVER,ASSY,TC4,4 WAY STRETCH,15"W, 13"D	1
I1	TC4-NBLK1515	CUSHION COVER,ASSY,TC4,4 WAY STRETCH,15"W, 15"D	1
J1	TC4-NBLK1517	CUSHION COVER,ASSY,TC4,4 WAY STRETCH,15"W, 17"D	1
K1	TC4-NBLK1519	CUSHION COVER,ASSY,TC4,4 WAY STRETCH,15"W, 19"D	1
L1	TC4-NBLK1521	CUSHION COVER,ASSY,TC4,4 WAY STRETCH,15"W, 21"D	1
M1	TC4-NBLK1523	CUSHION COVER,ASSY,TC4,4 WAY STRETCH,15"W, 23"D	1
N1	TC4-NBLK1525	CUSHION COVER,ASSY,TC4,4 WAY STRETCH,15"W, 25"D	1
O1	TC4-NBLK1613	CUSHION COVER,ASSY,TC4,4 WAY STRETCH,16"W, 13"D	1
P1	TC4-NBLK1615	CUSHION COVER,ASSY,TC4,4 WAY STRETCH,16"W, 15"D	1
Q1	TC4-NBLK1617	CUSHION COVER,ASSY,TC4,4 WAY STRETCH,16"W, 17"D	1
R1	TC4-NBLK1619	CUSHION COVER,ASSY,TC4,4 WAY STRETCH,16"W, 19"D	1
S1	TC4-NBLK1621	CUSHION COVER,ASSY,TC4,4 WAY STRETCH,16"W, 21"D	1
T1	TC4-NBLK1623	CUSHION COVER,ASSY,TC4,4 WAY STRETCH,16"W, 23"D	1
U1	TC4-NBLK1625	CUSHION COVER,ASSY,TC4,4 WAY STRETCH,16"W, 25"D	1
V1	TC4-NBLK1713	CUSHION COVER,ASSY,TC4,4 WAY STRETCH,17"W, 13"D	1
W1	TC4-NBLK1715	CUSHION COVER,ASSY,TC4,4 WAY STRETCH,17"W, 15"D	1
X1	TC4-NBLK1717	CUSHION COVER,ASSY,TC4,4 WAY STRETCH,17"W, 17"D	1
Y1	TC4-NBLK1719	CUSHION COVER,ASSY,TC4,4 WAY STRETCH,17"W, 19"D	1
Z1	TC4-NBLK1721	CUSHION COVER,ASSY,TC4,4 WAY STRETCH,17"W, 21"D	1
AA1	TC4-NBLK1723	CUSHION COVER,ASSY,TC4,4 WAY STRETCH,17"W, 23"D	1
BB1	TC4-NBLK1725	CUSHION COVER,ASSY,TC4,4 WAY STRETCH,17"W, 25"D	1
CC1	TC4-NBLK1813	CUSHION COVER,ASSY,TC4,4 WAY STRETCH,18"W, 13"D	1
DD1	TC4-NBLK1815	CUSHION COVER,ASSY,TC4,4 WAY STRETCH,18"W, 15"D	1
EE1	TC4-NBLK1817	CUSHION COVER,ASSY,TC4,4 WAY STRETCH,18"W, 17"D	1
FF1	TC4-NBLK1819	CUSHION COVER,ASSY,TC4,4 WAY STRETCH,18"W, 19"D	1
GG1	TC4-NBLK1821	CUSHION COVER,ASSY,TC4,4 WAY STRETCH,18"W, 21"D	1
HH1	TC4-NBLK1823	CUSHION COVER,ASSY,TC4,4 WAY STRETCH,18"W, 23"D	1
II1	TC4-NBLK1825	CUSHION COVER,ASSY,TC4,4 WAY STRETCH,18"W, 25"D	1

7.2.1. TRU-Comfort 4 Back Cushions

19" - 22" W TRU-Comfort Back 4 Cushion Covers				
Ref	Actual Back/Cushion Size		For use on units with overall back Heights of:	
	Width	Height	Static/Tilt Backs ¹	Recline Backs ²
A1	19"	13"	16" or 17"	19" or 20"
B1	19"	15"	18" or 19"	21" or 22"
C1	19"	17"	20" or 21"	23" or 24"
D1	19"	19"	22" or 23"	25" or 26"
E1	19"	21"	24" or 25"	27" or 28"
F1	19"	23"	26" or 27"	29" or 30"
G1	19"	25"	28" or 29"	31" or 32"
H1	20"	13"	16" or 17"	19" or 20"
I1	20"	15"	18" or 19"	21" or 22"
J1	20"	17"	20" or 21"	23" or 24"
K1	20"	19"	22" or 23"	25" or 26"
L1	20"	21"	24" or 25"	27" or 28"
M1	20"	23"	26" or 27"	29" or 30"
N1	20"	25"	28" or 29"	31" or 32"
O1	21"	13"	16" or 17"	19" or 20"
P1	21"	15"	18" or 19"	21" or 22"
Q1	21"	17"	20" or 21"	23" or 24"
R1	21"	19"	22" or 23"	25" or 26"
S1	21"	21"	24" or 25"	27" or 28"
T1	21"	23"	26" or 27"	29" or 30"
U1	21"	25"	28" or 29"	31" or 32"
V1	22"	13"	16" or 17"	19" or 20"
W1	22"	15"	18" or 19"	21" or 22"
X1	22"	17"	20" or 21"	23" or 24"
Y1	22"	19"	22" or 23"	25" or 26"
Z1	22"	21"	24" or 25"	27" or 28"
AA1	22"	23"	26" or 27"	29" or 30"
BB1	22"	25"	28" or 29"	31" or 32"

These assemblies include the Complete TRU-Comfort Back 4 Cushion Outer Cover. All other components are only available with the complete cushion assy.

1. The sizes represent a cushion to pan gap of 3" for even sized overall back heights and 4" for odd sized overall back heights.
2. The sizes represent a cushion to pan gap of 6" for odd sized overall back heights and 7" for even sized overall back heights



TRU-Comfort 4 Back Cushion Covers, 19"-22"W



Item	Part No.	Name	Qty
A1	TC4-NBLK1913	CUSHION COVER,ASSY,TC4,4 WAY STRETCH,19"W, 13"D	1
B1	TC4-NBLK1915	CUSHION COVER,ASSY,TC4,4 WAY STRETCH,19"W, 15"D	1
C1	TC4-NBLK1917	CUSHION COVER,ASSY,TC4,4 WAY STRETCH,19"W, 17"D	1
D1	TC4-NBLK1919	CUSHION COVER,ASSY,TC4,4 WAY STRETCH,19"W, 19"D	1
E1	TC4-NBLK1921	CUSHION COVER,ASSY,TC4,4 WAY STRETCH,19"W, 21"D	1
F1	TC4-NBLK1923	CUSHION COVER,ASSY,TC4,4 WAY STRETCH,19"W, 23"D	1
G1	TC4-NBLK1925	CUSHION COVER,ASSY,TC4,4 WAY STRETCH,19"W, 25"D	1
H1	TC4-NBLK2013	CUSHION COVER,ASSY,TC4,4 WAY STRETCH,20"W, 13"D	1
I1	TC4-NBLK2015	CUSHION COVER,ASSY,TC4,4 WAY STRETCH,20"W, 15"D	1
J1	TC4-NBLK2017	CUSHION COVER,ASSY,TC4,4 WAY STRETCH,20"W, 17"D	1
K1	TC4-NBLK2019	CUSHION COVER,ASSY,TC4,4 WAY STRETCH,20"W, 19"D	1
L1	TC4-NBLK2021	CUSHION COVER,ASSY,TC4,4 WAY STRETCH,20"W, 21"D	1
M1	TC4-NBLK2023	CUSHION COVER,ASSY,TC4,4 WAY STRETCH,20"W, 23"D	1
N1	TC4-NBLK2025	CUSHION COVER,ASSY,TC4,4 WAY STRETCH,20"W, 25"D	1
O1	TC4-NBLK2113	CUSHION COVER,ASSY,TC4,4 WAY STRETCH,21"W, 13"D	1
P1	TC4-NBLK2115	CUSHION COVER,ASSY,TC4,4 WAY STRETCH,21"W, 15"D	1
Q1	TC4-NBLK2117	CUSHION COVER,ASSY,TC4,4 WAY STRETCH,21"W, 17"D	1
R1	TC4-NBLK2119	CUSHION COVER,ASSY,TC4,4 WAY STRETCH,21"W, 19"D	1
S1	TC4-NBLK2121	CUSHION COVER,ASSY,TC4,4 WAY STRETCH,21"W, 21"D	1
T1	TC4-NBLK2123	CUSHION COVER,ASSY,TC4,4 WAY STRETCH,21"W, 23"D	1
U1	TC4-NBLK2125	CUSHION COVER,ASSY,TC4,4 WAY STRETCH,21"W, 25"D	1
V1	TC4-NBLK2213	CUSHION COVER,ASSY,TC4,4 WAY STRETCH,22"W, 13"D	1
W1	TC4-NBLK2215	CUSHION COVER,ASSY,TC4,4 WAY STRETCH,22"W, 15"D	1
X1	TC4-NBLK2217	CUSHION COVER,ASSY,TC4,4 WAY STRETCH,22"W, 17"D	1
Y1	TC4-NBLK2219	CUSHION COVER,ASSY,TC4,4 WAY STRETCH,22"W, 19"D	1
Z1	TC4-NBLK2221	CUSHION COVER,ASSY,TC4,4 WAY STRETCH,22"W, 21"D	1
AA1	TC4-NBLK2223	CUSHION COVER,ASSY,TC4,4 WAY STRETCH,22"W, 23"D	1
BB1	TC4-NBLK2225	CUSHION COVER,ASSY,TC4,4 WAY STRETCH,22"W, 25"D	1

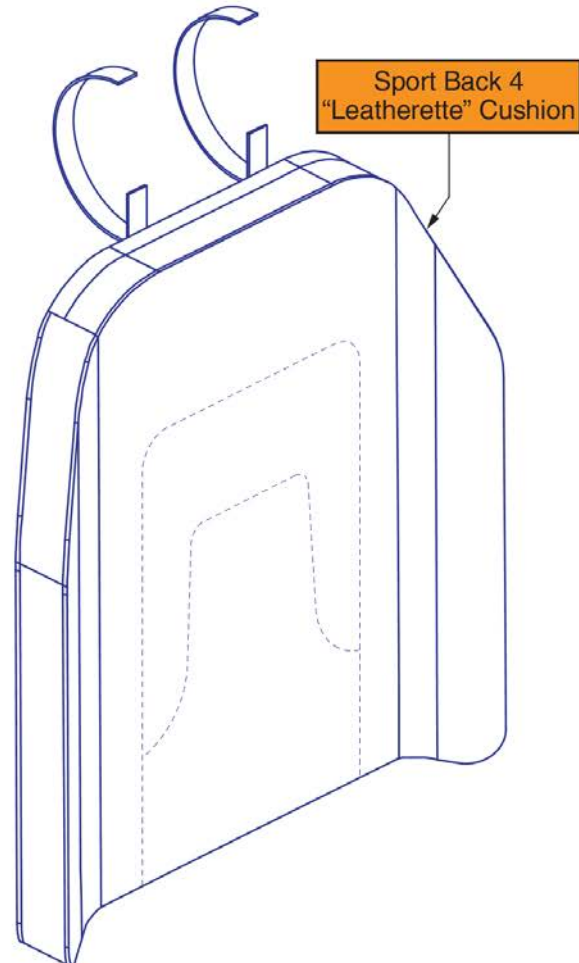
7.2.2. Sport Back 4 Cushions

14" - 18" W Sport Back 4 Cushions				
Ref	Actual Back/ Cushion Size		For use on units with overall back Heights of:	
	Width	Height	Static/Tilt Backs ¹	Recline Backs ²
A1	14"	13"	16" or 17"	19" or 20"
B1	14"	15"	18" or 19"	21" or 22"
C1	14"	17"	20" or 21"	23" or 24"
D1	14"	19"	22" or 23"	25" or 26"
E1	14"	21"	24" or 25"	27" or 28"
F1	14"	23"	26" or 27"	29" or 30"
G1	14"	25"	28" or 29"	31" or 32"
H1	15"	13"	16" or 17"	19" or 20"
I1	15"	15"	18" or 19"	21" or 22"
J1	15"	17"	20" or 21"	23" or 24"
K1	15"	19"	22" or 23"	25" or 26"
L1	15"	21"	24" or 25"	27" or 28"
M1	15"	23"	26" or 27"	29" or 30"
N1	15"	25"	28" or 29"	31" or 32"
O1	16"	13"	16" or 17"	19" or 20"
P1	16"	15"	18" or 19"	21" or 22"
Q1	16"	17"	20" or 21"	23" or 24"
R1	16"	19"	22" or 23"	25" or 26"
S1	16"	21"	24" or 25"	27" or 28"
T1	16"	23"	26" or 27"	29" or 30"
U1	16"	25"	28" or 29"	31" or 32"
V1	17"	13"	16" or 17"	19" or 20"
W1	17"	15"	18" or 19"	21" or 22"
X1	17"	17"	20" or 21"	23" or 24"
Y1	17"	19"	22" or 23"	25" or 26"
Z1	17"	21"	24" or 25"	27" or 28"
AA1	17"	23"	26" or 27"	29" or 30"
BB1	17"	25"	28" or 29"	31" or 32"
CC1	18"	13"	16" or 17"	19" or 20"
DD1	18"	15"	18" or 19"	21" or 22"

14" - 18" W Sport Back 4 Cushions				
Ref	Actual Back/ Cushion Size		For use on units with overall back Heights of:	
	Width	Height	Static/Tilt Backs ¹	Recline Backs ²
EE1	18"	17"	20" or 21"	23" or 24"
FF1	18"	19"	22" or 23"	25" or 26"
GG1	18"	21"	24" or 25"	27" or 28"
HH1	18"	23"	26" or 27"	29" or 30"
II1	18"	25"	28" or 29"	31" or 32"

These assemblies include the Complete Sport Back 4 Cushion. The outer cover is available separately.

1. The sizes represent a cushion to pan gap of 3" for even sized overall back heights and 4" for odd sized overall back heights.
2. The sizes represent a cushion to pan gap of 6" for odd sized overall back heights and 7" for even sized overall back heights



Sport Back 4 Cushions, 14"-18"W



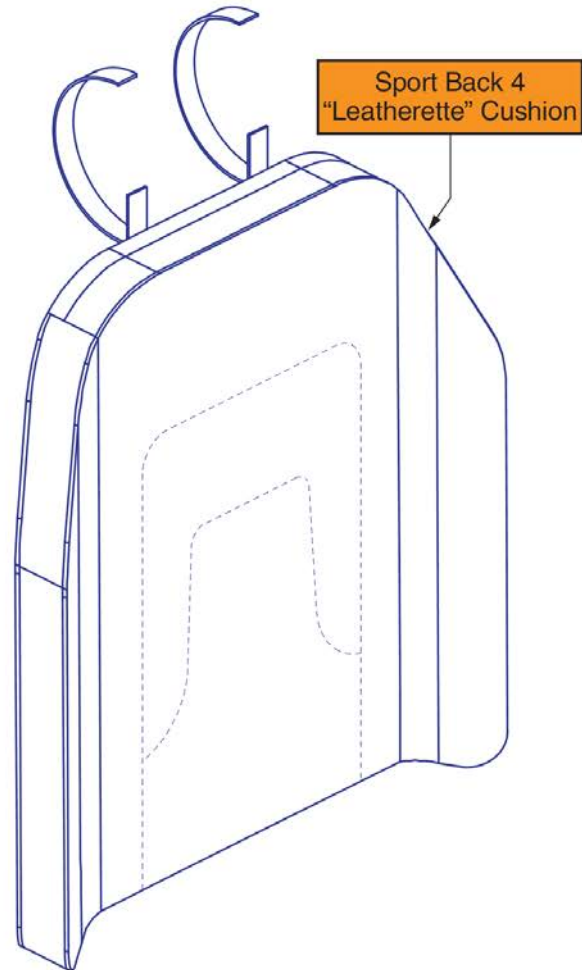
Item	Part No.	Name	Qty
A1	QU-SB4-1413	QUANTUM,CUSHION,ASSY,BACK,14"W,13"H, SPORT BACK 4, LEATHERETTE	1
B1	QU-SB4-1415	QUANTUM,CUSHION,ASSY,BACK,14"W,15"H, SPORT BACK 4, LEATHERETTE	1
C1	QU-SB4-1417	QUANTUM,CUSHION,ASSY,BACK,14"W,17"H, SPORT BACK 4, LEATHERETTE	1
D1	QU-SB4-1419	QUANTUM,CUSHION,ASSY,BACK,14"W,19"H, SPORT BACK 4, LEATHERETTE	1
E1	QU-SB4-1421	QUANTUM,CUSHION,ASSY,BACK,14"W,21"H, SPORT BACK 4, LEATHERETTE	1
F1	QU-SB4-1423	QUANTUM,CUSHION,ASSY,BACK,14"W,23"H, SPORT BACK 4, LEATHERETTE	1
G1	QU-SB4-1425	QUANTUM,CUSHION,ASSY,BACK,14"W,25"H, SPORT BACK 4, LEATHERETTE	1
H1	QU-SB4-1513	QUANTUM,CUSHION,ASSY,BACK,15"W,13"H, SPORT BACK 4, LEATHERETTE	1
I1	QU-SB4-1515	QUANTUM,CUSHION,ASSY,BACK,15"W,15"H, SPORT BACK 4, LEATHERETTE	1
J1	QU-SB4-1517	QUANTUM,CUSHION,ASSY,BACK,15"W,17"H, SPORT BACK 4, LEATHERETTE	1
K1	QU-SB4-1519	QUANTUM,CUSHION,ASSY,BACK,15"W,19"H, SPORT BACK 4, LEATHERETTE	1
L1	QU-SB4-1521	QUANTUM,CUSHION,ASSY,BACK,15"W,21"H, SPORT BACK 4, LEATHERETTE	1
M1	QU-SB4-1523	QUANTUM,CUSHION,ASSY,BACK,15"W,23"H, SPORT BACK 4, LEATHERETTE	1
N1	QU-SB4-1525	QUANTUM,CUSHION,ASSY,BACK,15"W,25"H, SPORT BACK 4, LEATHERETTE	1
O1	QU-SB4-1613	QUANTUM,CUSHION,ASSY,BACK,16"W,13"H, SPORT BACK 4, LEATHERETTE	1
P1	QU-SB4-1615	QUANTUM,CUSHION,ASSY,BACK,16"W,15"H, SPORT BACK 4, LEATHERETTE	1
Q1	QU-SB4-1617	QUANTUM,CUSHION,ASSY,BACK,16"W,17"H, SPORT BACK 4, LEATHERETTE	1
R1	QU-SB4-1619	QUANTUM,CUSHION,ASSY,BACK,16"W,19"H, SPORT BACK 4, LEATHERETTE	1
S1	QU-SB4-1621	QUANTUM,CUSHION,ASSY,BACK,16"W,21"H, SPORT BACK 4, LEATHERETTE	1
T1	QU-SB4-1623	QUANTUM,CUSHION,ASSY,BACK,16"W,23"H, SPORT BACK 4, LEATHERETTE	1
U1	QU-SB4-1625	QUANTUM,CUSHION,ASSY,BACK,16"W,25"H, SPORT BACK 4, LEATHERETTE	1
V1	QU-SB4-1713	QUANTUM,CUSHION,ASSY,BACK,17"W,13"H, SPORT BACK 4, LEATHERETTE	1
W1	QU-SB4-1715	QUANTUM,CUSHION,ASSY,BACK,17"W,15"H, SPORT BACK 4, LEATHERETTE	1
X1	QU-SB4-1717	QUANTUM,CUSHION,ASSY,BACK,17"W,17"H, SPORT BACK 4, LEATHERETTE	1
Y1	QU-SB4-1719	QUANTUM,CUSHION,ASSY,BACK,17"W,19"H, SPORT BACK 4, LEATHERETTE	1
Z1	QU-SB4-1721	QUANTUM,CUSHION,ASSY,BACK,17"W,21"H, SPORT BACK 4, LEATHERETTE	1
AA1	QU-SB4-1723	QUANTUM,CUSHION,ASSY,BACK,17"W,23"H, SPORT BACK 4, LEATHERETTE	1
BB1	QU-SB4-1725	QUANTUM,CUSHION,ASSY,BACK,17"W,25"H, SPORT BACK 4, LEATHERETTE	1
CC1	QU-SB4-1813	QUANTUM,CUSHION,ASSY,BACK,18"W,13"H, SPORT BACK 4, LEATHERETTE	1
DD1	QU-SB4-1815	QUANTUM,CUSHION,ASSY,BACK,18"W,15"H, SPORT BACK 4, LEATHERETTE	1
EE1	QU-SB4-1817	QUANTUM,CUSHION,ASSY,BACK,18"W,17"H, SPORT BACK 4, LEATHERETTE	1
FF1	QU-SB4-1819	QUANTUM,CUSHION,ASSY,BACK,18"W,19"H, SPORT BACK 4, LEATHERETTE	1
GG1	QU-SB4-1821	QUANTUM,CUSHION,ASSY,BACK,18"W,21"H, SPORT BACK 4, LEATHERETTE	1
HH1	QU-SB4-1823	QUANTUM,CUSHION,ASSY,BACK,18"W,23"H, SPORT BACK 4, LEATHERETTE	1
II1	QU-SB4-1825	QUANTUM,CUSHION,ASSY,BACK,18"W,25"H, SPORT BACK 4, LEATHERETTE	1

7.2.2. Sport Back 4 Cushions

19" - 22" W Sport Back 4 Cushions				
Ref	Actual Back/ Cushion Size		For use on units with overall back Heights of:	
	Width	Height	Static/Tilt Backs ¹	Recline Backs ²
A1	19"	13"	16" or 17"	19" or 20"
B1	19"	15"	18" or 19"	21" or 22"
C1	19"	17"	20" or 21"	23" or 24"
D1	19"	19"	22" or 23"	25" or 26"
E1	19"	21"	24" or 25"	27" or 28"
F1	19"	23"	26" or 27"	29" or 30"
G1	19"	25"	28" or 29"	31" or 32"
H1	20"	13"	16" or 17"	19" or 20"
I1	20"	15"	18" or 19"	21" or 22"
J1	20"	17"	20" or 21"	23" or 24"
K1	20"	19"	22" or 23"	25" or 26"
L1	20"	21"	24" or 25"	27" or 28"
M1	20"	23"	26" or 27"	29" or 30"
N1	20"	25"	28" or 29"	31" or 32"
O1	21"	13"	16" or 17"	19" or 20"
P1	21"	15"	18" or 19"	21" or 22"
Q1	21"	17"	20" or 21"	23" or 24"
R1	21"	19"	22" or 23"	25" or 26"
S1	21"	21"	24" or 25"	27" or 28"
T1	21"	23"	26" or 27"	29" or 30"
U1	21"	25"	28" or 29"	31" or 32"
V1	22"	13"	16" or 17"	19" or 20"
W1	22"	15"	18" or 19"	21" or 22"
X1	22"	17"	20" or 21"	23" or 24"
Y1	22"	19"	22" or 23"	25" or 26"
Z1	22"	21"	24" or 25"	27" or 28"
AA1	22"	23"	26" or 27"	29" or 30"
BB1	22"	25"	28" or 29"	31" or 32"

These assemblies include the Complete Sport Back 4 Cushion. The outer cover is available separately.

1. The sizes represent a cushion to pan gap of 3" for even sized overall back heights and 4" for odd sized overall back heights.
2. The sizes represent a cushion to pan gap of 6" for odd sized overall back heights and 7" for even sized overall back heights



Sport Back 4 Cushions, 19"-22"W



Item	Part No.	Name	Qty
A1	QU-SB4-1913	QUANTUM,CUSHION,ASSY,BACK,19"W,13"H, SPORT BACK 4, LEATHERETTE	1
B1	QU-SB4-1915	QUANTUM,CUSHION,ASSY,BACK,19"W,15"H, SPORT BACK 4, LEATHERETTE	1
C1	QU-SB4-1917	QUANTUM,CUSHION,ASSY,BACK,19"W,17"H, SPORT BACK 4, LEATHERETTE	1
D1	QU-SB4-1919	QUANTUM,CUSHION,ASSY,BACK,19"W,19"H, SPORT BACK 4, LEATHERETTE	1
E1	QU-SB4-1921	QUANTUM,CUSHION,ASSY,BACK,19"W,21"H, SPORT BACK 4, LEATHERETTE	1
F1	QU-SB4-1923	QUANTUM,CUSHION,ASSY,BACK,19"W,23"H, SPORT BACK 4, LEATHERETTE	1
G1	QU-SB4-1925	QUANTUM,CUSHION,ASSY,BACK,19"W,25"H, SPORT BACK 4, LEATHERETTE	1
H1	QU-SB4-2013	QUANTUM,CUSHION,ASSY,BACK,20"W,13"H, SPORT BACK 4, LEATHERETTE	1
I1	QU-SB4-2015	QUANTUM,CUSHION,ASSY,BACK,20"W,15"H, SPORT BACK 4, LEATHERETTE	1
J1	QU-SB4-2017	QUANTUM,CUSHION,ASSY,BACK,20"W,17"H, SPORT BACK 4, LEATHERETTE	1
K1	QU-SB4-2019	QUANTUM,CUSHION,ASSY,BACK,20"W,19"H, SPORT BACK 4, LEATHERETTE	1
L1	QU-SB4-2021	QUANTUM,CUSHION,ASSY,BACK,20"W,21"H, SPORT BACK 4, LEATHERETTE	1
M1	QU-SB4-2023	QUANTUM,CUSHION,ASSY,BACK,20"W,23"H, SPORT BACK 4, LEATHERETTE	1
N1	QU-SB4-2025	QUANTUM,CUSHION,ASSY,BACK,20"W,25"H, SPORT BACK 4, LEATHERETTE	1
O1	QU-SB4-2113	QUANTUM,CUSHION,ASSY,BACK,21"W,13"H, SPORT BACK 4, LEATHERETTE	1
P1	QU-SB4-2115	QUANTUM,CUSHION,ASSY,BACK,21"W,15"H, SPORT BACK 4, LEATHERETTE	1
Q1	QU-SB4-2117	QUANTUM,CUSHION,ASSY,BACK,21"W,17"H, SPORT BACK 4, LEATHERETTE	1
R1	QU-SB4-2119	QUANTUM,CUSHION,ASSY,BACK,21"W,19"H, SPORT BACK 4, LEATHERETTE	1
S1	QU-SB4-2121	QUANTUM,CUSHION,ASSY,BACK,21"W,21"H, SPORT BACK 4, LEATHERETTE	1
T1	QU-SB4-2123	QUANTUM,CUSHION,ASSY,BACK,21"W,23"H, SPORT BACK 4, LEATHERETTE	1
U1	QU-SB4-2125	QUANTUM,CUSHION,ASSY,BACK,21"W,25"H, SPORT BACK 4, LEATHERETTE	1
V1	QU-SB4-2213	QUANTUM,CUSHION,ASSY,BACK,22"W,13"H, SPORT BACK 4, LEATHERETTE	1
W1	QU-SB4-2215	QUANTUM,CUSHION,ASSY,BACK,22"W,15"H, SPORT BACK 4, LEATHERETTE	1
X1	QU-SB4-2217	QUANTUM,CUSHION,ASSY,BACK,22"W,17"H, SPORT BACK 4, LEATHERETTE	1
Y1	QU-SB4-2219	QUANTUM,CUSHION,ASSY,BACK,22"W,19"H, SPORT BACK 4, LEATHERETTE	1
Z1	QU-SB4-2221	QUANTUM,CUSHION,ASSY,BACK,22"W,21"H, SPORT BACK 4, LEATHERETTE	1
AA1	QU-SB4-2223	QUANTUM,CUSHION,ASSY,BACK,22"W,23"H, SPORT BACK 4, LEATHERETTE	1
BB1	QU-SB4-2225	QUANTUM,CUSHION,ASSY,BACK,22"W,25"H, SPORT BACK 4, LEATHERETTE	1

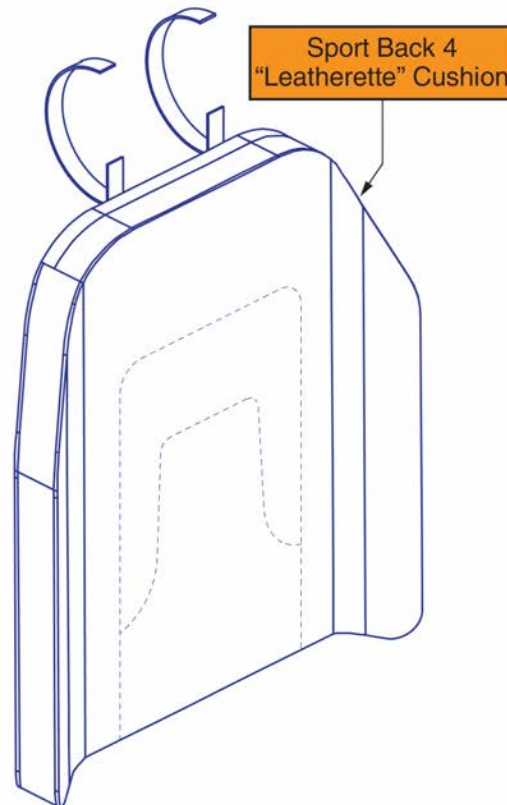
7.2.2. Sport Back 4 Cushions

24" - 28" W Sport Back 4 Cushions				
Actual Back/ Cushion Size			For use on units with overall back Heights of:	
Ref	Width	Height	Static/Tilt Backs ¹	Recline Backs ²
A1	24"	13"	16" or 17"	19" or 20"
B1	24"	15"	18" or 19"	21" or 22"
C1	24"	17"	20" or 21"	23" or 24"
D1	24"	19"	22" or 23"	25" or 26"
E1	24"	21"	24" or 25"	27" or 28"
F1	24"	23"	26" or 27"	29" or 30"
G1	24"	25"	28" or 29"	31" or 32"
H1	26"	13"	16" or 17"	19" or 20"
I1	26"	15"	18" or 19"	21" or 22"
J1	26"	17"	20" or 21"	23" or 24"
K1	26"	19"	22" or 23"	25" or 26"
L1	26"	21"	24" or 25"	27" or 28"
M1	26"	23"	26" or 27"	29" or 30"
N1	26"	25"	28" or 29"	31" or 32"
O1	28"	13"	16" or 17"	19" or 20"
P1	28"	15"	18" or 19"	21" or 22"
Q1	28"	17"	20" or 21"	23" or 24"
R1	28"	19"	22" or 23"	25" or 26"
S1	28"	21"	24" or 25"	27" or 28"
T1	28"	23"	26" or 27"	29" or 30"
U1	28"	25"	28" or 29"	31" or 32"

These assemblies include the Complete Sport Back 4 Cushion. The outer cover is available separately.

- The Cushion sizes listed may have a prolonged lead time when attempting to procure a replacement for an unavailable Sport Back Cushion.
- Contact technical service for availability and lead times.

1. The sizes represent a cushion to pan gap of 3" for even sized overall back heights and 4" for odd sized overall back heights.
2. The sizes represent a cushion to pan gap of 6" for odd sized overall back heights and 7" for even sized overall back heights.



Sport Back 4 Cushions, 24"-28"W



Item	Part No.	Name	Qty
A1	QU-SB4-2413	QUANTUM,CUSHION,ASSY,BACK,24"W,13"H, SPORT BACK 4, LEATHERETTE	1
B1	QU-SB4-2415	QUANTUM,CUSHION,ASSY,BACK,24"W,15"H, SPORT BACK 4, LEATHERETTE	1
C1	QU-SB4-2417	QUANTUM,CUSHION,ASSY,BACK,24"W,17"H, SPORT BACK 4, LEATHERETTE	1
D1	QU-SB4-2419	QUANTUM,CUSHION,ASSY,BACK,24"W,19"H, SPORT BACK 4, LEATHERETTE	1
E1	QU-SB4-2421	QUANTUM,CUSHION,ASSY,BACK,24"W,21"H, SPORT BACK 4, LEATHERETTE	1
F1	QU-SB4-2423	QUANTUM,CUSHION,ASSY,BACK,24"W,23"H, SPORT BACK 4, LEATHERETTE	1
G1	QU-SB4-2425	QUANTUM,CUSHION,ASSY,BACK,24"W,25"H, SPORT BACK 4, LEATHERETTE	1
H1	QU-SB4-2613	QUANTUM,CUSHION,ASSY,BACK,26"W,13"H, SPORT BACK 4, LEATHERETTE	1
I1	QU-SB4-2615	QUANTUM,CUSHION,ASSY,BACK,26"W,15"H, SPORT BACK 4, LEATHERETTE	1
J1	QU-SB4-2617	QUANTUM,CUSHION,ASSY,BACK,26"W,17"H, SPORT BACK 4, LEATHERETTE	1
K1	QU-SB4-2619	QUANTUM,CUSHION,ASSY,BACK,26"W,19"H, SPORT BACK 4, LEATHERETTE	1
L1	QU-SB4-2621	QUANTUM,CUSHION,ASSY,BACK,26"W,21"H, SPORT BACK 4, LEATHERETTE	1
M1	QU-SB4-2623	QUANTUM,CUSHION,ASSY,BACK,26"W,23"H, SPORT BACK 4, LEATHERETTE	1
N1	QU-SB4-2625	QUANTUM,CUSHION,ASSY,BACK,26"W,25"H, SPORT BACK 4, LEATHERETTE	1
O1	QU-SB4-2813	QUANTUM,CUSHION,ASSY,BACK,28"W,13"H, SPORT BACK 4, LEATHERETTE	1
P1	QU-SB4-2815	QUANTUM,CUSHION,ASSY,BACK,28"W,15"H, SPORT BACK 4, LEATHERETTE	1
Q1	QU-SB4-2817	QUANTUM,CUSHION,ASSY,BACK,28"W,17"H, SPORT BACK 4, LEATHERETTE	1
R1	QU-SB4-2819	QUANTUM,CUSHION,ASSY,BACK,28"W,19"H, SPORT BACK 4, LEATHERETTE	1
S1	QU-SB4-2821	QUANTUM,CUSHION,ASSY,BACK,28"W,21"H, SPORT BACK 4, LEATHERETTE	1
T1	QU-SB4-2823	QUANTUM,CUSHION,ASSY,BACK,28"W,23"H, SPORT BACK 4, LEATHERETTE	1
U1	QU-SB4-2825	QUANTUM,CUSHION,ASSY,BACK,28"W,25"H, SPORT BACK 4, LEATHERETTE	1

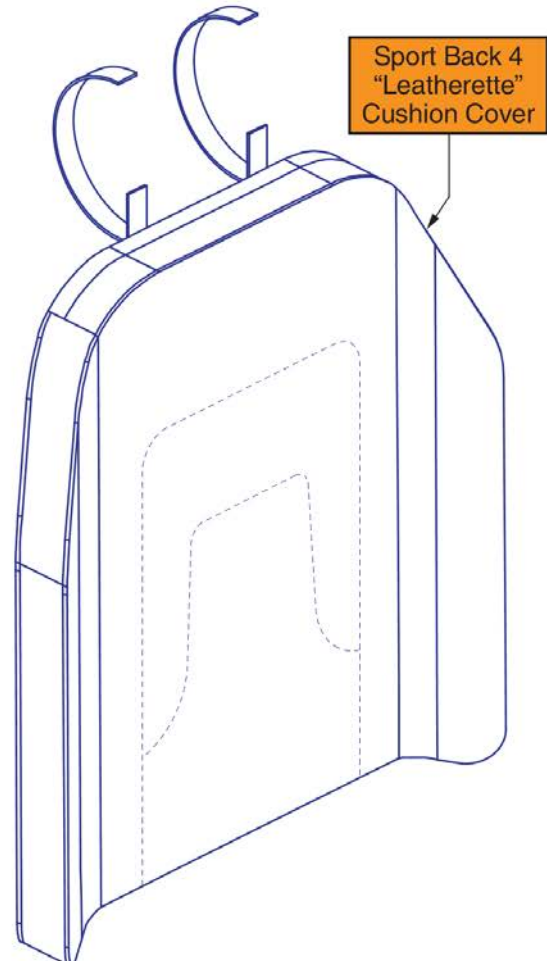
7.2.2. Sport Back 4 Cushions

14" - 18" W Sport Back 4 Cushion Covers				
Ref	Actual Back/ Cushion Size		For use on units with overall back Heights of:	
	Width	Height	Static/Tilt Backs ¹	Recline Backs ²
A1	14"	13"	16" or 17"	19" or 20"
B1	14"	15"	18" or 19"	21" or 22"
C1	14"	17"	20" or 21"	23" or 24"
D1	14"	19"	22" or 23"	25" or 26"
E1	14"	21"	24" or 25"	27" or 28"
F1	14"	23"	26" or 27"	29" or 30"
G1	14"	25"	28" or 29"	31" or 32"
H1	15"	13"	16" or 17"	19" or 20"
I1	15"	15"	18" or 19"	21" or 22"
J1	15"	17"	20" or 21"	23" or 24"
K1	15"	19"	22" or 23"	25" or 26"
L1	15"	21"	24" or 25"	27" or 28"
M1	15"	23"	26" or 27"	29" or 30"
N1	15"	25"	28" or 29"	31" or 32"
O1	16"	13"	16" or 17"	19" or 20"
P1	16"	15"	18" or 19"	21" or 22"
Q1	16"	17"	20" or 21"	23" or 24"
R1	16"	19"	22" or 23"	25" or 26"
S1	16"	21"	24" or 25"	27" or 28"
T1	16"	23"	26" or 27"	29" or 30"
U1	16"	25"	28" or 29"	31" or 32"
V1	17"	13"	16" or 17"	19" or 20"
W1	17"	15"	18" or 19"	21" or 22"
X1	17"	17"	20" or 21"	23" or 24"
Y1	17"	19"	22" or 23"	25" or 26"
Z1	17"	21"	24" or 25"	27" or 28"
AA1	17"	23"	26" or 27"	29" or 30"
BB1	17"	25"	28" or 29"	31" or 32"
CC1	18"	13"	16" or 17"	19" or 20"
DD1	18"	15"	18" or 19"	21" or 22"

14" - 18" W Sport Back 4 Cushion Covers				
Ref	Actual Back/ Cushion Size		For use on units with overall back Heights of:	
	Width	Height	Static/Tilt Backs ¹	Recline Backs ²
EE1	18"	17"	20" or 21"	23" or 24"
FF1	18"	19"	22" or 23"	25" or 26"
GG1	18"	21"	24" or 25"	27" or 28"
HH1	18"	23"	26" or 27"	29" or 30"
II1	18"	25"	28" or 29"	31" or 32"

These assemblies include the Complete Sport Back 4 Cushion Outer Cover. All other components are only available with the complete cushion assy.

1. The sizes represent a cushion to pan gap of 3" for even sized overall back heights and 4" for odd sized overall back heights.
2. The sizes represent a cushion to pan gap of 6" for odd sized overall back heights and 7" for even sized overall back heights



Sport Back 4 Cushion Covers, 14"-18"W



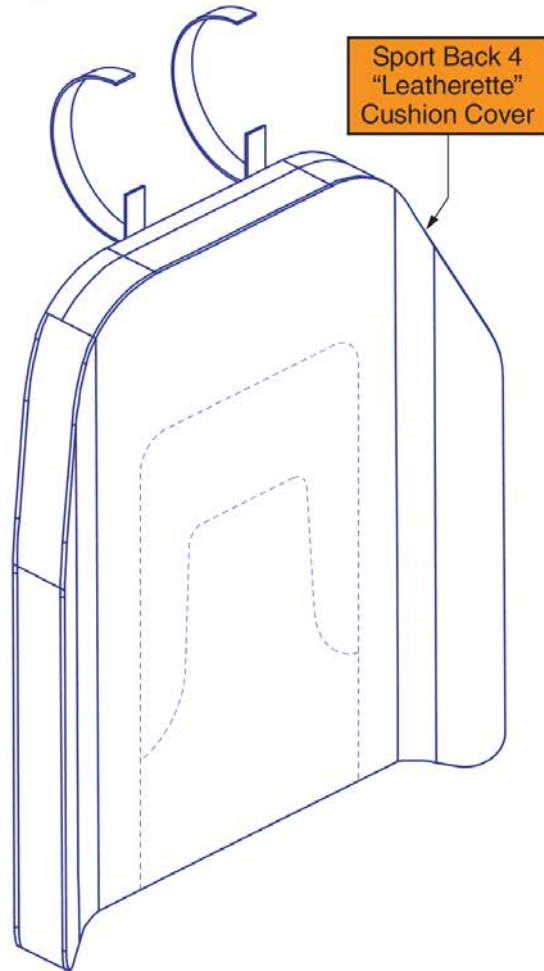
Item	Part No.	Name	Qty
A1	SB4-LBLK1413	CUSHION COVER,ASSY,SB4,LEATHERETTE,14"W, 13"D	1
B1	SB4-LBLK1415	CUSHION COVER,ASSY,SB4,LEATHERETTE,14"W, 15"D	1
C1	SB4-LBLK1417	CUSHION COVER,ASSY,SB4,LEATHERETTE,14"W, 17"D	1
D1	SB4-LBLK1419	CUSHION COVER,ASSY,SB4,LEATHERETTE,14"W, 19"D	1
E1	SB4-LBLK1421	CUSHION COVER,ASSY,SB4,LEATHERETTE,14"W, 21"D	1
F1	SB4-LBLK1423	CUSHION COVER,ASSY,SB4,LEATHERETTE,14"W, 23"D	1
G1	SB4-LBLK1425	CUSHION COVER,ASSY,SB4,LEATHERETTE,14"W, 25"D	1
H1	SB4-LBLK1513	CUSHION COVER,ASSY,SB4,LEATHERETTE,15"W, 13"D	1
I1	SB4-LBLK1515	CUSHION COVER,ASSY,SB4,LEATHERETTE,15"W, 15"D	1
J1	SB4-LBLK1517	CUSHION COVER,ASSY,SB4,LEATHERETTE,15"W, 17"D	1
K1	SB4-LBLK1519	CUSHION COVER,ASSY,SB4,LEATHERETTE,15"W, 19"D	1
L1	SB4-LBLK1521	CUSHION COVER,ASSY,SB4,LEATHERETTE,15"W, 21"D	1
M1	SB4-LBLK1523	CUSHION COVER,ASSY,SB4,LEATHERETTE,15"W, 23"D	1
N1	SB4-LBLK1525	CUSHION COVER,ASSY,SB4,LEATHERETTE,15"W, 25"D	1
O1	SB4-LBLK1613	CUSHION COVER,ASSY,SB4,LEATHERETTE,16"W, 13"D	1
P1	SB4-LBLK1615	CUSHION COVER,ASSY,SB4,LEATHERETTE,16"W, 15"D	1
Q1	SB4-LBLK1617	CUSHION COVER,ASSY,SB4,LEATHERETTE,16"W, 17"D	1
R1	SB4-LBLK1619	CUSHION COVER,ASSY,SB4,LEATHERETTE,16"W, 19"D	1
S1	SB4-LBLK1621	CUSHION COVER,ASSY,SB4,LEATHERETTE,16"W, 21"D	1
T1	SB4-LBLK1623	CUSHION COVER,ASSY,SB4,LEATHERETTE,16"W, 23"D	1
U1	SB4-LBLK1625	CUSHION COVER,ASSY,SB4,LEATHERETTE,16"W, 25"D	1
V1	SB4-LBLK1713	CUSHION COVER,ASSY,SB4,LEATHERETTE,17"W, 13"D	1
W1	SB4-LBLK1715	CUSHION COVER,ASSY,SB4,LEATHERETTE,17"W, 15"D	1
X1	SB4-LBLK1717	CUSHION COVER,ASSY,SB4,LEATHERETTE,17"W, 17"D	1
Y1	SB4-LBLK1719	CUSHION COVER,ASSY,SB4,LEATHERETTE,17"W, 19"D	1
Z1	SB4-LBLK1721	CUSHION COVER,ASSY,SB4,LEATHERETTE,17"W, 21"D	1
AA1	SB4-LBLK1723	CUSHION COVER,ASSY,SB4,LEATHERETTE,17"W, 23"D	1
BB1	SB4-LBLK1725	CUSHION COVER,ASSY,SB4,LEATHERETTE,17"W, 25"D	1
CC1	SB4-LBLK1813	CUSHION COVER,ASSY,SB4,LEATHERETTE,18"W, 13"D	1
DD1	SB4-LBLK1815	CUSHION COVER,ASSY,SB4,LEATHERETTE,18"W, 15"D	1
EE1	SB4-LBLK1817	CUSHION COVER,ASSY,SB4,LEATHERETTE,18"W, 17"D	1
FF1	SB4-LBLK1819	CUSHION COVER,ASSY,SB4,LEATHERETTE,18"W, 19"D	1
GG1	SB4-LBLK1821	CUSHION COVER,ASSY,SB4,LEATHERETTE,18"W, 21"D	1
HH1	SB4-LBLK1823	CUSHION COVER,ASSY,SB4,LEATHERETTE,18"W, 23"D	1
II1	SB4-LBLK1825	CUSHION COVER,ASSY,SB4,LEATHERETTE,18"W, 25"D	1

7.2.2. Sport Back 4 Cushions

19" - 22" W Sport Back 4 Cushion Covers				
Ref	Actual Back/ Cushion Size		For use on units with overall back Heights of:	
	Width	Height	Static/Tilt Backs ¹	Recline Backs ²
A1	19"	13"	16" or 17"	19" or 20"
B1	19"	15"	18" or 19"	21" or 22"
C1	19"	17"	20" or 21"	23" or 24"
D1	19"	19"	22" or 23"	25" or 26"
E1	19"	21"	24" or 25"	27" or 28"
F1	19"	23"	26" or 27"	29" or 30"
G1	19"	25"	28" or 29"	31" or 32"
H1	20"	13"	16" or 17"	19" or 20"
I1	20"	15"	18" or 19"	21" or 22"
J1	20"	17"	20" or 21"	23" or 24"
K1	20"	19"	22" or 23"	25" or 26"
L1	20"	21"	24" or 25"	27" or 28"
M1	20"	23"	26" or 27"	29" or 30"
N1	20"	25"	28" or 29"	31" or 32"
O1	21"	13"	16" or 17"	19" or 20"
P1	21"	15"	18" or 19"	21" or 22"
Q1	21"	17"	20" or 21"	23" or 24"
R1	21"	19"	22" or 23"	25" or 26"
S1	21"	21"	24" or 25"	27" or 28"
T1	21"	23"	26" or 27"	29" or 30"
U1	21"	25"	28" or 29"	31" or 32"
V1	22"	13"	16" or 17"	19" or 20"
W1	22"	15"	18" or 19"	21" or 22"
X1	22"	17"	20" or 21"	23" or 24"
Y1	22"	19"	22" or 23"	25" or 26"
Z1	22"	21"	24" or 25"	27" or 28"
AA1	22"	23"	26" or 27"	29" or 30"
BB1	22"	25"	28" or 29"	31" or 32"

These assemblies include the Complete Sport Back 4 Cushion Outer Cover. All other components are only available with the complete cushion assy.

1. The sizes represent a cushion to pan gap of 3" for even sized overall back heights and 4" for odd sized overall back heights.
2. The sizes represent a cushion to pan gap of 6" for odd sized overall back heights and 7" for even sized overall back heights

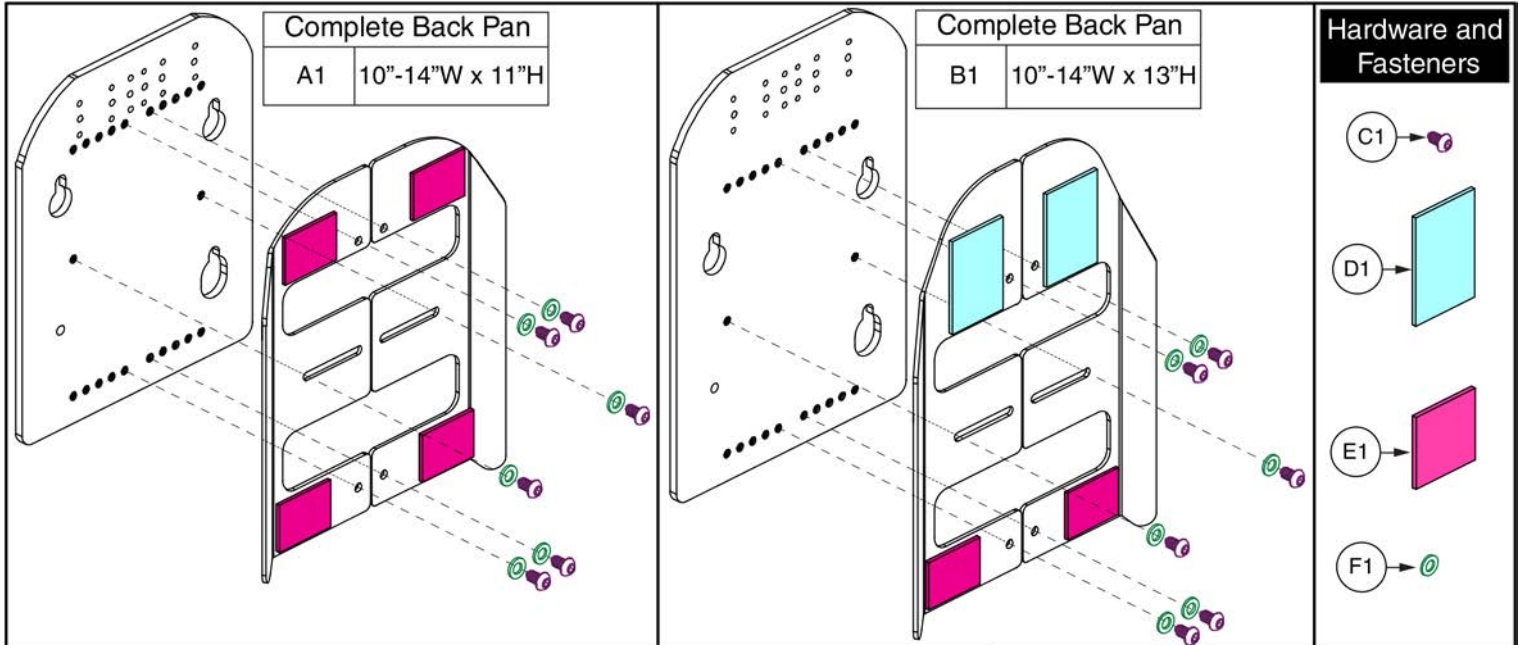


Sport Back 4 Cushion Covers, 19"-22"W



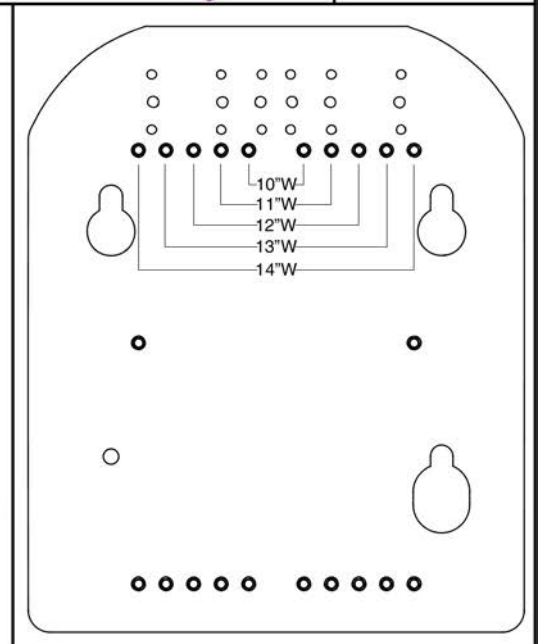
Item	Part No.	Name	Qty
A1	SB4-LBLK1913	CUSHION COVER,ASSY,SB4,LEATHERETTE,19"W, 13"D	1
B1	SB4-LBLK1915	CUSHION COVER,ASSY,SB4,LEATHERETTE,19"W, 15"D	1
C1	SB4-LBLK1917	CUSHION COVER,ASSY,SB4,LEATHERETTE,19"W, 17"D	1
D1	SB4-LBLK1919	CUSHION COVER,ASSY,SB4,LEATHERETTE,19"W, 19"D	1
E1	SB4-LBLK1921	CUSHION COVER,ASSY,SB4,LEATHERETTE,19"W, 21"D	1
F1	SB4-LBLK1923	CUSHION COVER,ASSY,SB4,LEATHERETTE,19"W, 23"D	1
G1	SB4-LBLK1925	CUSHION COVER,ASSY,SB4,LEATHERETTE,19"W, 25"D	1
H1	SB4-LBLK2013	CUSHION COVER,ASSY,SB4,LEATHERETTE,20"W, 13"D	1
I1	SB4-LBLK2015	CUSHION COVER,ASSY,SB4,LEATHERETTE,20"W, 15"D	1
J1	SB4-LBLK2017	CUSHION COVER,ASSY,SB4,LEATHERETTE,20"W, 17"D	1
K1	SB4-LBLK2019	CUSHION COVER,ASSY,SB4,LEATHERETTE,20"W, 19"D	1
L1	SB4-LBLK2021	CUSHION COVER,ASSY,SB4,LEATHERETTE,20"W, 21"D	1
M1	SB4-LBLK2023	CUSHION COVER,ASSY,SB4,LEATHERETTE,20"W, 23"D	1
N1	SB4-LBLK2025	CUSHION COVER,ASSY,SB4,LEATHERETTE,20"W, 25"D	1
O1	SB4-LBLK2113	CUSHION COVER,ASSY,SB4,LEATHERETTE,21"W, 13"D	1
P1	SB4-LBLK2115	CUSHION COVER,ASSY,SB4,LEATHERETTE,21"W, 15"D	1
Q1	SB4-LBLK2117	CUSHION COVER,ASSY,SB4,LEATHERETTE,21"W, 17"D	1
R1	SB4-LBLK2119	CUSHION COVER,ASSY,SB4,LEATHERETTE,21"W, 19"D	1
S1	SB4-LBLK2121	CUSHION COVER,ASSY,SB4,LEATHERETTE,21"W, 21"D	1
T1	SB4-LBLK2123	CUSHION COVER,ASSY,SB4,LEATHERETTE,21"W, 23"D	1
U1	SB4-LBLK2125	CUSHION COVER,ASSY,SB4,LEATHERETTE,21"W, 25"D	1
V1	SB4-LBLK2213	CUSHION COVER,ASSY,SB4,LEATHERETTE,22"W, 13"D	1
W1	SB4-LBLK2215	CUSHION COVER,ASSY,SB4,LEATHERETTE,22"W, 15"D	1
X1	SB4-LBLK2217	CUSHION COVER,ASSY,SB4,LEATHERETTE,22"W, 17"D	1
Y1	SB4-LBLK2219	CUSHION COVER,ASSY,SB4,LEATHERETTE,22"W, 19"D	1
Z1	SB4-LBLK2221	CUSHION COVER,ASSY,SB4,LEATHERETTE,22"W, 21"D	1
AA1	SB4-LBLK2223	CUSHION COVER,ASSY,SB4,LEATHERETTE,22"W, 23"D	1
BB1	SB4-LBLK2225	CUSHION COVER,ASSY,SB4,LEATHERETTE,22"W, 25"D	1

7.3. Back Pans - Sport & TRU-Comfort 2



For use on units with overall back Heights of:			
Ref	Back Pan Size	Static/Tilt Backs ¹	Recline Backs ²
A1	10-14"W x 11"H	14" or 15"	17" or 18"
B1	10-14"W x 13"H	16" or 17"	19" or 20"

¹ The sizes represent a cushion to pan gap of 3" for even sized overall back heights and 4" for odd sized overall back heights.
² The sizes represent a cushion to pan gap of 6" for odd sized overall back heights and 7" for even sized overall back heights.



Back Pan, 10"-14"W, No Cushion, TB3



Item	Part No.	Name	Qty
A1	SET124538	SEAT BACK,ASSY,10"W-14"W,11"H,W/MOUNTING HARDWARE,TB3	1
B1	SET124539	SEAT BACK,ASSY,10"W-14"W,13"H,W/MOUNTING HARDWARE,TB3	1
C1	SCR8120002	SCREW,BHSCS,BLACK ZINC,M6-1.0 X 10MM,W/NYLON PATCH	6
D1	HDW124709	REUSABLE FASTENER,HOOK,2" X 3	2
E1	HDW124711	REUSABLE FASTENER,HOOK,2" X 1 1/2"	4
F1	WASSTND1097	WASHER, FLAT, 6.4 ID X 12 OD X 1.6 THK, ISO 7089-6-200 HV, BZ	6

7.3. Back Pans - Sport & TRU-Comfort 2

Complete Back Pan
A1 16"-20"W x 13"H

Complete Back Pan
B1 16"-20"W x 15"H

Complete Back Pan
C1 16"-20"W x 17"H

Complete Back Pan
D1 16"-20"W x 19"H

Complete Back Pan
E1 16"-20"W x 21"H

Hardware and Fasteners

For use on units with overall back Heights of:

Ref	Back Pan Size	Static/Tilt Backs ¹	Recline Backs ²
A1	16-20"W x 13"H	16" or 17"	19" or 20"
B1	16-20"W x 15"H	18" or 19"	21" or 22"
C1	16-20"W x 17"H	20" or 21"	23" or 24"
D1	16-20"W x 19"H	22" or 23"	25" or 26"
E1	16-20"W x 21"H	24" or 25"	27" or 28"

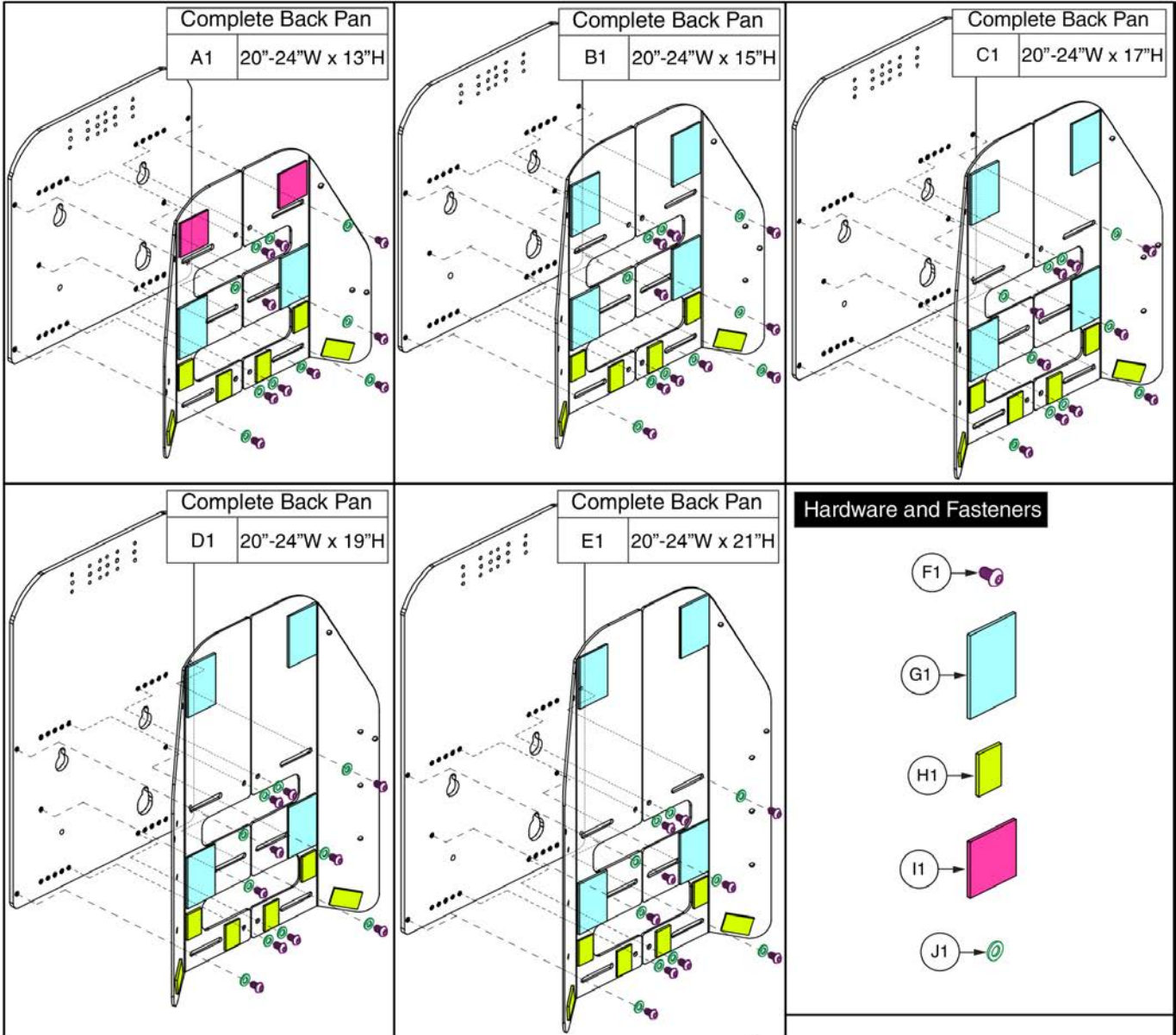
¹ The sizes represent a cushion to pan gap of 3" for even sized overall back heights and 4" for odd sized overall back heights.
² The sizes represent a cushion to pan gap of 6" for odd sized overall back heights and 7" for even sized overall back heights.

Back Pan, 16"-20"W, No Cushion, TB3



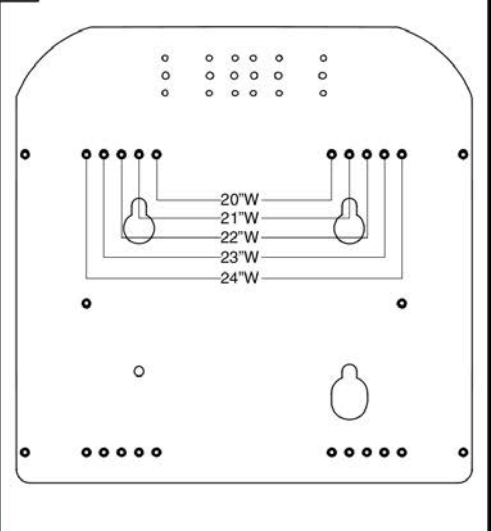
Item	Part No.	Name	Qty
A1	SET124546	SEAT BACK,ASSY,16"W-20"W,13"H,W/MOUNTING HARDWARE,TB3	1
B1	SET124547	SEAT BACK,ASSY,16"W-20"W,15"H,W/MOUNTING HARDWARE,TB3	1
C1	SET124548	SEAT BACK,ASSY,16"W-20"W,17"H,W/MOUNTING HARDWARE,TB3	1
D1	SET124549	SEAT BACK,ASSY,16"W-20"W,19"H,W/MOUNTING HARDWARE,TB3	1
E1	SET124550	SEAT BACK,ASSY,16"W-20"W,21"H,W/MOUNTING HARDWARE,TB3	1
F1	SCR8120002	SCREW,BHSCS,BLACK ZINC,M6-1.0 X 10MM,W/NYLON PATCH	10
G1	HDW124709	REUSABLE FASTENER,HOOK,2" X 3	4
H1	HDW124712	REUSABLE FASTENER,HOOK,1 1/2" X 1"	6
I1	HDW124710	REUSABLE FASTENER,HOOK,2" X 2",	2
J1	WASSTND1097	WASHER, FLAT, 6.4 ID X 12 OD X 1.6 THK, ISO 7089-6-200 HV, BZ	10

7.3. Back Pans - Sport & TRU-Comfort 2



Ref	Back Pan Size	For use on units with overall back Heights of:	
		Static/Tilt Backs ¹	Recline Backs ²
A1	20-24"W x 13"H	16" or 17"	19" or 20"
B1	20-24"W x 15"H	18" or 19"	21" or 22"
C1	20-24"W x 17"H	20" or 21"	23" or 24"
D1	20-24"W x 19"H	22" or 23"	25" or 26"
E1	20-24"W x 21"H	24" or 25"	27" or 28"

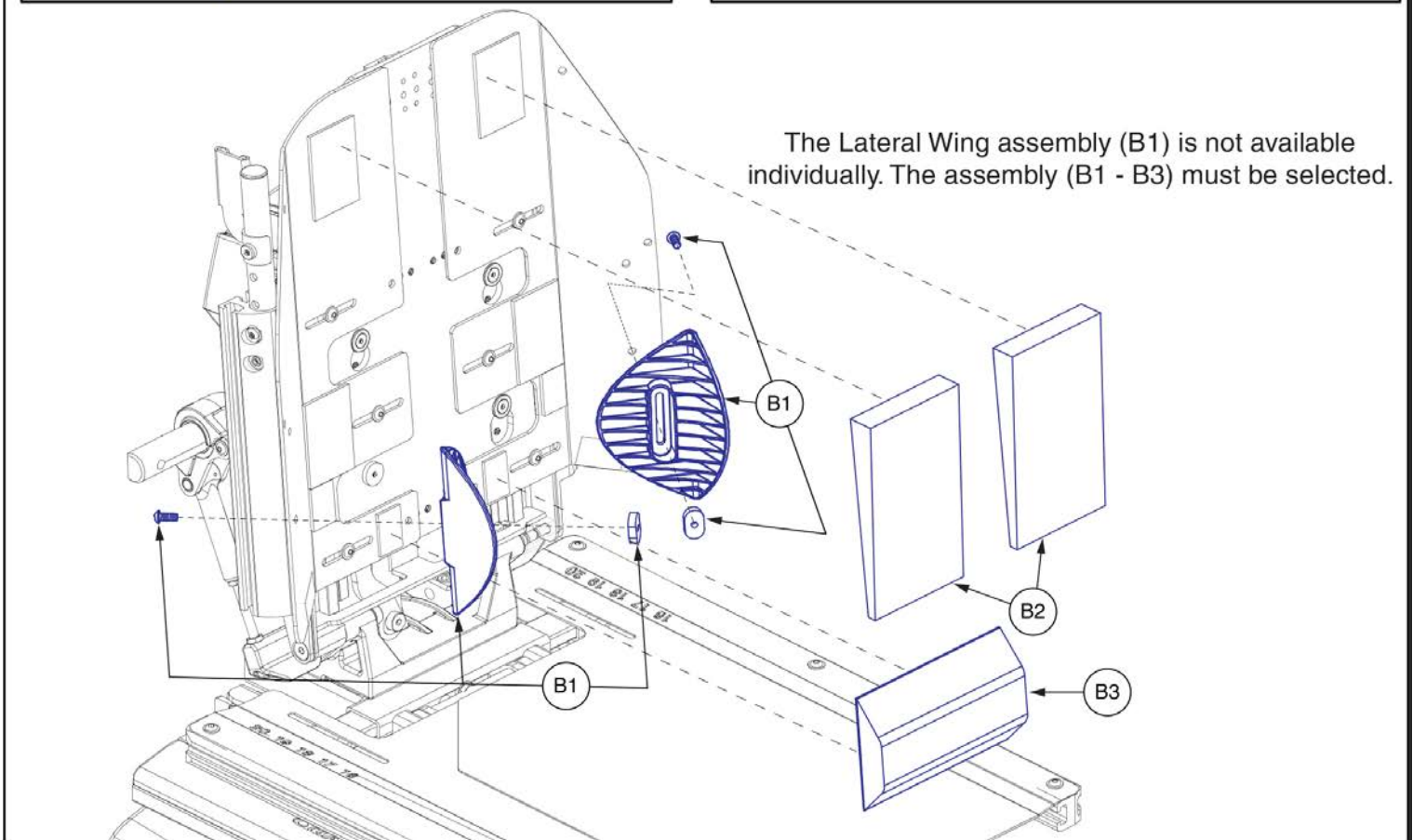
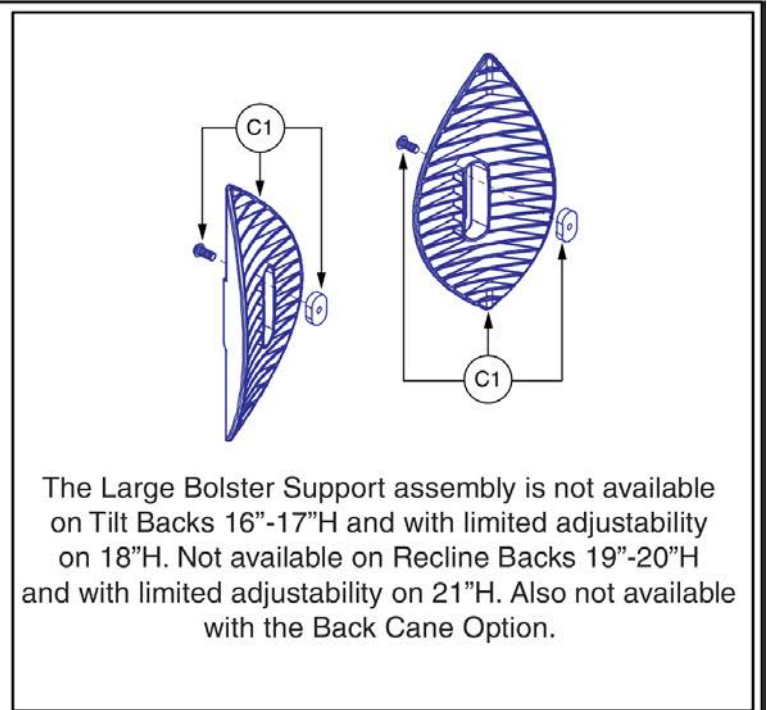
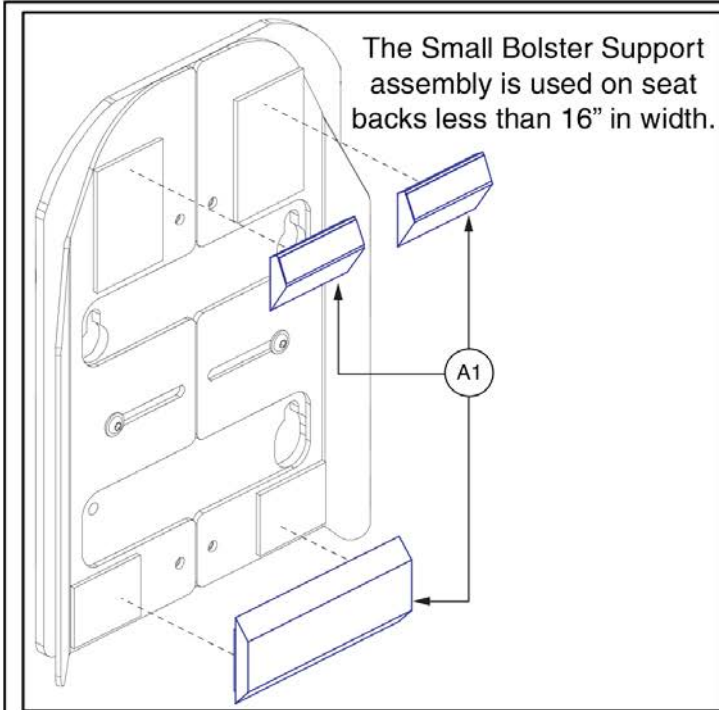
¹ The sizes represent a cushion to pan gap of 3" for even sized overall back heights and 4" for odd sized overall back heights.
² The sizes represent a cushion to pan gap of 6" for odd sized overall back heights and 7" for even sized overall back heights.



Back Pan, 20"-24"W, No Cushion, TB3

Item	Part No.	Name	Qty
A1	SET124552	SEAT BACK,ASSY,20"W-24"W,13"H,W/MOUNTING HARDWARE,TB3	1
B1	SET124553	SEAT BACK,ASSY,20"W-24"W,15"H,W/MOUNTING HARDWARE,TB3	1
C1	SET124555	SEAT BACK,ASSY,20"W-24"W,17"H,W/MOUNTING HARDWARE,TB3	1
D1	SET124556	SEAT BACK,ASSY,20"W-24"W,19"H,W/MOUNTING HARDWARE,TB3	1
E1	SET124557	SEAT BACK,ASSY,20"W-24"W,21"H,W/MOUNTING HARDWARE,TB3	1
F1	SCR8120002	SCREW,BHSCS,BLACK ZINC,M6-1.0 X 10MM,W/NYLON PATCH	10
G1	HDW124709	REUSABLE FASTENER,HOOK,2" X 3	4
H1	HDW124712	REUSABLE FASTENER,HOOK,1 1/2" X 1"	6
I1	HDW124710	REUSABLE FASTENER,HOOK,2" X 2",	2
J1	WASSTND1097	WASHER, FLAT, 6.4 ID X 12 OD X 1.6 THK, ISO 7089-6-200 HV, BZ	10

7.4. Bolsters & Supports -TRU-Comfort 2 Back



TRU-Comfort 2 Bolsters and Supports, TB3



Item	Part No.	Name	Qty
A1	CUS131244	CUSHION,ASSY,BOLSTER SUPPORTS,SMALL,TC2 BACK	1
B1 - B3	CUS122169	CUSHION,ASSY,BOLSTER SUPPORTS,TRU-COMFORT 2 BACK	1
B1	SET122294	LATERAL WING,ASSY,TRU-BALANCE 3	2
B2	DWR1306D059	THORACIC SUPPORT,TRU-COMFORT SEAT,LEFT/RIGHT,D-1306-059	2
B3	DWR1306D014	CUSHION,LUMBAR SUPPORT,TRU-COMFORT SEAT,D-1306-014	1
C1	SET123465	LATERAL WING,ASSY,LARGE,TRU-BALANCE 3	2

7.5. Stealth Q-Backs

The Assembly contains the Back Pan, Cushion, and Mounting Hardware.
The individual components are not available for replacement.

Active Contour	
Ref	Back Pan Size
A1	16"W x 16"H
A2	16"W x 18"H
A3	18"W x 16"H
A4	18"W x 18"H
A5	20"W x 16"H
A6	20"W x 18"H

Deep Contour	
Ref	Back Pan Size
B1	16"W x 16"H
B2	16"W x 18"H
B3	18"W x 16"H
B4	18"W x 18"H
B5	20"W x 16"H
B6	20"W x 18"H

Extra Deep Contour	
Ref	Back Pan Size
C1	16"W x 16"H
C2	16"W x 18"H
C3	18"W x 16"H
C4	18"W x 18"H
C5	20"W x 16"H
C6	20"W x 18"H

Back Pan Size	For use on units w/ overall back Heights of:	
	Static/Tilt Backs ¹	Recline Backs ²
16"W x 16"H	19" or 20"	22" or 23"
16"W x 18"H	21" or 22"	24" or 25"
18"W x 16"H	19" or 20"	22" or 23"
18"W x 18"H	21" or 22"	24" or 25"
20"W x 16"H	19" or 20"	22" or 23"
20"W x 18"H	21" or 22"	24" or 25"

¹ The sizes represent a cushion to pan gap of 3" for odd sized overall back heights and 4" for even sized overall back heights.

² The sizes represent a cushion to pan gap of 6" for even sized overall back heights and 7" for odd sized overall back heights.

Lateral Bracket

Complete Assemblies	
D1a	Right
D1b	Left

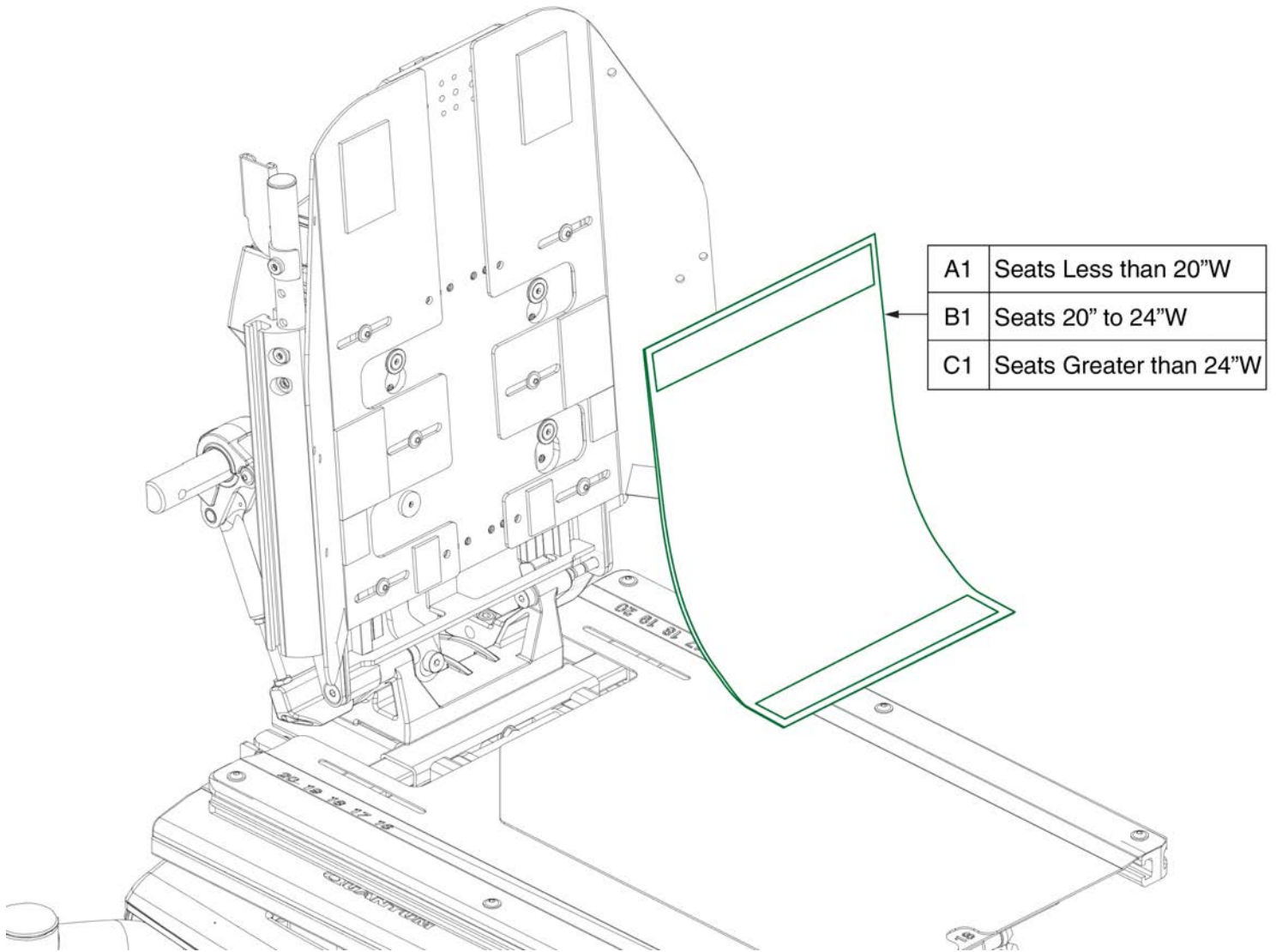
The bracket mounts on the interior of the back pan.

Headrest Bracket

E1

Item	Part No.	Name	Qty
A1	ALBR16SAQ	Q-BACK,AL SERIES,ACTIVE CONTOUR,16"W,16"H	1
A2	ALBR16TAQ	Q-BACK,AL SERIES,ACTIVE CONTOUR,16"W,18"H	1
A3	ALBR18SAQ	Q-BACK,AL SERIES,ACTIVE CONTOUR,18"W,16"H	1
A4	ALBR18TAQ	Q-BACK,AL SERIES,ACTIVE CONTOUR,18"W,18"H	1
A5	ALBR20SAQ	Q-BACK,AL SERIES,ACTIVE CONTOUR,20"W,16"H	1
A6	ALBR20TAQ	Q-BACK,AL SERIES,ACTIVE CONTOUR,20"W,18"H	1
B1	ALBR16SDQ	Q-BACK,AL SERIES,DEEP CONTOUR,16"W,16"H	1
B2	ALBR16TDQ	Q-BACK,AL SERIES,DEEP CONTOUR,16"W,18"H	1
B3	ALBR18SDQ	Q-BACK,AL SERIES,DEEP CONTOUR,18"W,16"H	1
B4	ALBR18TDQ	Q-BACK,AL SERIES,DEEP CONTOUR,18"W,18"H	1
B5	ALBR20SDQ	Q-BACK,AL SERIES,DEEP CONTOUR,20"W,16"H	1
B6	ALBR20TDQ	Q-BACK,AL SERIES,DEEP CONTOUR,20"W,18"H	1
C1	ALBR16S6Q	Q-BACK,AL SERIES,EXTRA DEEP CONTOUR,16"W,16"H	1
C2	ALBR16T6Q	Q-BACK,AL SERIES,EXTRA DEEP CONTOUR,16"W,18"H	1
C3	ALBR18S6Q	Q-BACK,AL SERIES,EXTRA DEEP CONTOUR,18"W,16"H	1
C4	ALBR18T6Q	Q-BACK,AL SERIES,EXTRA DEEP CONTOUR,18"W,18"H	1
C5	ALBR20S6Q	Q-BACK,AL SERIES,EXTRA DEEP CONTOUR,20"W,16"H	1
C6	ALBR20T6Q	Q-BACK,AL SERIES,EXTRA DEEP CONTOUR,20"W,18"H	1
D1a	ST-TWBLT-QL-R	LATERAL HARDWARE,Q-BACK,RIGHT	1
D1b	ST-TWBLT-QL-L	LATERAL HARDWARE,Q-BACK,LEFT	1
E1	SET167884	HEADREST BRACKET MOUNTING HARDWARE,ASSY,STEALTH,Q-BACK 1	1

7.6. Back Privacy Flaps



Privacy Flaps, TB3



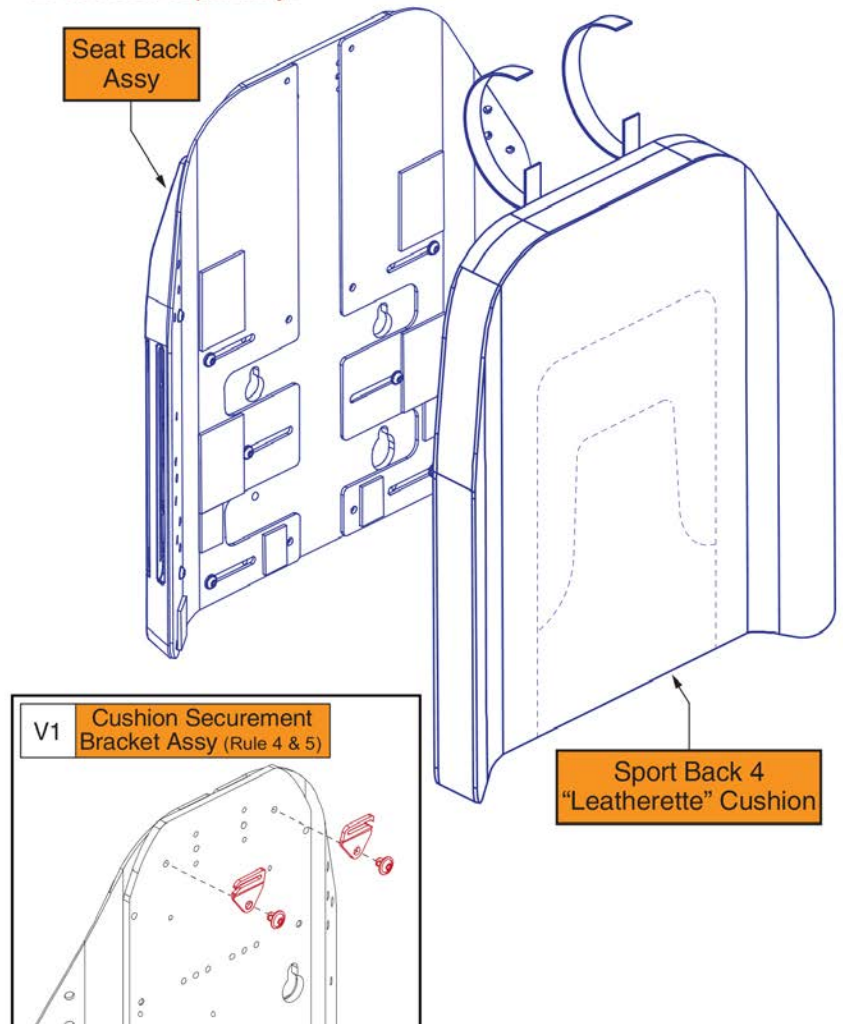
Item	Part No.	Name	Qty
A1	DWR1044E456B	SEAT BACK,PRIVACY FLAP,9.75"W,SYNERGY STANDARD BACK,E-1044-456	1
B1	DWR1044E456A	SEAT BACK,PRIVACY FLAP,12.75"W,SYNERGY STANDARD BACK,E-1044-456	1
C1	FAB140123	SEAT BACK,PRIVACY FLAP,20.75"W,TRU-BALANCE 3	1

8.1. Complete Sport Back 4 Assy's

14" - 16" W Sport Back 4 Assy's (See All Rules)				
Ref	Actual Back/ Cushion Size		Overall Seat Back Heights	
	Width	Height	Static/Tilt Backs (Rule 2)	Recline Backs (Rule 3)
A1	14"	13"	16" or 17"	19" or 20"
B1	14"	15"	18" or 19"	21" or 22"
C1	14"	17"	20" or 21"	23" or 24"
D1	14"	19"	22" or 23"	25" or 26"
E1	14"	21"	24" or 25"	27" or 28"
F1	14"	23"	26" or 27"	29" or 30"
G1	14"	25"	28" or 29"	31" or 32"
H1	15"	13"	16" or 17"	19" or 20"
I1	15"	15"	18" or 19"	21" or 22"
J1	15"	17"	20" or 21"	23" or 24"
K1	15"	19"	22" or 23"	25" or 26"
L1	15"	21"	24" or 25"	27" or 28"
M1	15"	23"	26" or 27"	29" or 30"
N1	15"	25"	28" or 29"	31" or 32"
O1	16"	13"	16" or 17"	19" or 20"
P1	16"	15"	18" or 19"	21" or 22"
Q1	16"	17"	20" or 21"	23" or 24"
R1	16"	19"	22" or 23"	25" or 26"
S1	16"	21"	24" or 25"	27" or 28"
T1	16"	23"	26" or 27"	29" or 30"
U1	16"	25"	28" or 29"	31" or 32"

Rules:

1. The listed assy's include the Seat Back Assy & the Sport Back 4 Cushion.
2. The sizes represent a cushion to pan gap of 3" for even sized overall back heights and 4" for odd sized overall back heights.
3. The sizes represent a cushion to pan gap of 6" for odd sized overall back heights and 7" for even sized overall back heights.
4. The Cushion Securement Bracket Assy (V1) for 14"-16"W Backs will mount with the openings facing outwards.
5. The Securement Brackets (V1) are not included with the assy and must be selected separately.



Item	Part No.	Name	Qty
A1	SET1902545	SEAT BACK,ASSY,14"W,14"W-16"W,13"H,SPORT BACK 4,TRU BALANCE 3	1
B1	SET1902560	SEAT BACK,ASSY,14"W,14"W-16"W,15"H,SPORT BACK 4,TRU BALANCE 3	1
C1	SET1902580	SEAT BACK,ASSY,14"W,14"W-16"W,17"H,SPORT BACK 4,TRU BALANCE 3	1
D1	SET1902609	SEAT BACK,ASSY,14"W,14"W-16"W,19"H,SPORT BACK 4,TRU BALANCE 3	1
E1	SET1902622	SEAT BACK,ASSY,14"W,14"W-16"W,21"H,SPORT BACK 4,TRU BALANCE 3	1
F1	SET1902634	SEAT BACK,ASSY,14"W,14"W-16"W,23"H,SPORT BACK 4,TRU BALANCE 3	1
G1	SET1907181	SEAT BACK,ASSY,14"W,14"W-16"W,25"H,SPORT BACK 4,TRU BALANCE 3	1
H1	SET1902546	SEAT BACK,ASSY,15"W,14"W-16"W,13"H,SPORT BACK 4,TRU BALANCE 3	1
I1	SET1902567	SEAT BACK,ASSY,15"W,14"W-16"W,15"H,SPORT BACK 4,TRU BALANCE 3	1
J1	SET1902587	SEAT BACK,ASSY,15"W,14"W-16"W,17"H,SPORT BACK 4,TRU BALANCE 3	1
K1	SET1902610	SEAT BACK,ASSY,15"W,14"W-16"W,19"H,SPORT BACK 4,TRU BALANCE 3	1
L1	SET1902623	SEAT BACK,ASSY,15"W,14"W-16"W,21"H,SPORT BACK 4,TRU BALANCE 3	1
M1	SET1902635	SEAT BACK,ASSY,15"W,14"W-16"W,23"H,SPORT BACK 4,TRU BALANCE 3	1
N1	SET1907172	SEAT BACK,ASSY,15"W,14"W-16"W,25"H,SPORT BACK 4,TRU BALANCE 3	1
O1	SET1908873	SEAT BACK,ASSY,16"W,14"W-16"W,13"H,SPORT BACK 4,TRU BALANCE 3	1
P1	SET1908874	SEAT BACK,ASSY,16"W,14"W-16"W,15"H,SPORT BACK 4,TRU BALANCE 3	1
Q1	SET1908875	SEAT BACK,ASSY,16"W,14"W-16"W,17"H,SPORT BACK 4,TRU BALANCE 3	1
R1	SET1908876	SEAT BACK,ASSY,16"W,14"W-16"W,19"H,SPORT BACK 4,TRU BALANCE 3	1
S1	SET1908877	SEAT BACK,ASSY,16"W,14"W-16"W,21"H,SPORT BACK 4,TRU BALANCE 3	1
T1	SET1908878	SEAT BACK,ASSY,16"W,14"W-16"W,23"H,SPORT BACK 4,TRU BALANCE 3	1
U1	SET1908879	SEAT BACK,ASSY,16"W,14"W-16"W,25"H,SPORT BACK 4,TRU BALANCE 3	1
V1	MEC1907389	BACK CUSHION SECUREMENT BRACKET,REDESIGNED BACK,PAIR	1

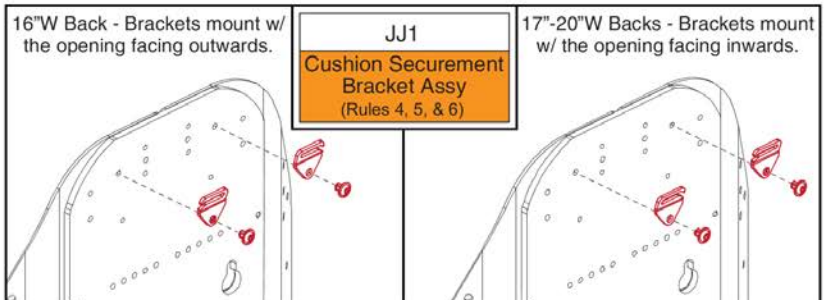
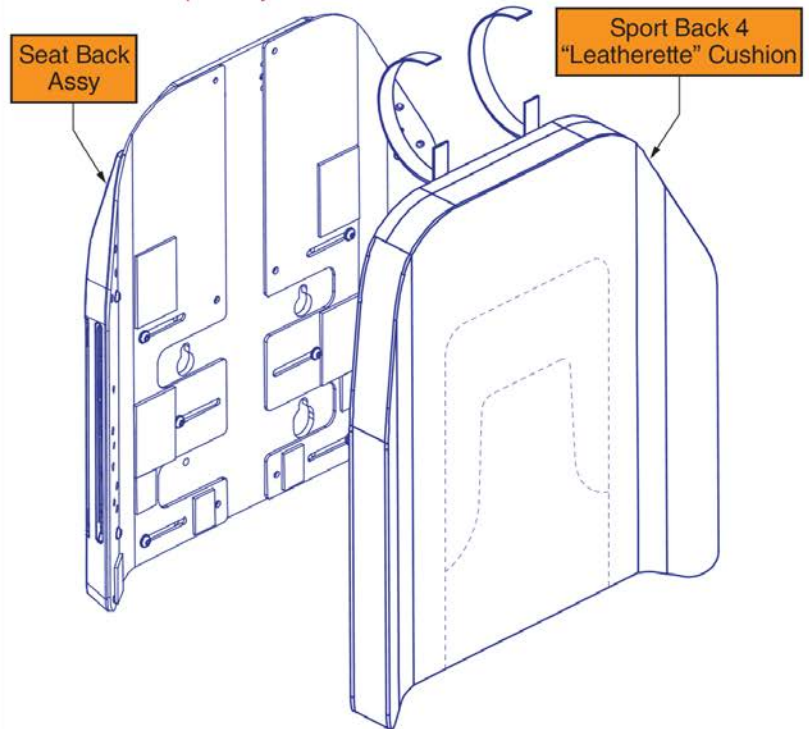
8.1. Complete Sport Back 4 Assy's

16" - 20" W Sport Back 4 Assy's (See All Rules)				
Ref	Actual Back/ Cushion Size		Overall Seat Back Heights	
	Width	Height	Static/Tilt Backs (Rule 2)	Recline Backs (Rule 3)
A1	16"	13"	16" or 17"	19" or 20"
B1	16"	15"	18" or 19"	21" or 22"
C1	16"	17"	20" or 21"	23" or 24"
D1	16"	19"	22" or 23"	25" or 26"
E1	16"	21"	24" or 25"	27" or 28"
F1	16"	23"	26" or 27"	29" or 30"
G1	16"	25"	28" or 29"	31" or 32"
H1	17"	13"	16" or 17"	19" or 20"
I1	17"	15"	18" or 19"	21" or 22"
J1	17"	17"	20" or 21"	23" or 24"
K1	17"	19"	22" or 23"	25" or 26"
L1	17"	21"	24" or 25"	27" or 28"
M1	17"	23"	26" or 27"	29" or 30"
N1	17"	25"	28" or 29"	31" or 32"
O1	18"	13"	16" or 17"	19" or 20"
P1	18"	15"	18" or 19"	21" or 22"
Q1	18"	17"	20" or 21"	23" or 24"
R1	18"	19"	22" or 23"	25" or 26"
S1	18"	21"	24" or 25"	27" or 28"
T1	18"	23"	26" or 27"	29" or 30"
U1	18"	25"	28" or 29"	31" or 32"
V1	19"	13"	16" or 17"	19" or 20"
W1	19"	15"	18" or 19"	21" or 22"
X1	19"	17"	20" or 21"	23" or 24"
Y1	19"	19"	22" or 23"	25" or 26"
Z1	19"	21"	24" or 25"	27" or 28"
AA1	19"	23"	26" or 27"	29" or 30"
BB1	19"	25"	28" or 29"	31" or 32"
CC1	20"	13"	16" or 17"	19" or 20"
DD1	20"	15"	18" or 19"	21" or 22"
EE1	20"	17"	20" or 21"	23" or 24"
FF1	20"	19"	22" or 23"	25" or 26"

16" - 20" W Sport Back 4 Assy's (See All Rules)				
Ref	Actual Back/ Cushion Size		Overall Seat Back Heights	
	Width	Height	Static/Tilt Backs (Rule 2)	Recline Backs (Rule 3)
GG1	20"	21"	24" or 25"	27" or 28"
HH1	20"	23"	26" or 27"	29" or 30"
II1	20"	25"	28" or 29"	31" or 32"

Rules:

1. The listed assy's include the Seat Back Assy & the Sport Back 4 Cushion.
2. The sizes represent a cushion to pan gap of 3" for even sized overall back heights and 4" for odd sized overall back heights.
3. The sizes represent a cushion to pan gap of 6" for odd sized overall back heights and 7" for even sized overall back heights.
4. The Cushion Securement Bracket Assy (JJ1) for 16"W Backs will mount with the openings facing outwards.
5. The Cushion Securement Bracket Assy (JJ1) for 17"-20"W Backs will mount with the openings facing inwards.
6. The Securement Brackets (JJ1) are not included with the assy and must be selected separately.



Item	Part No.	Name	Qty
A1	SET1902549	SEAT BACK,ASSY,16"W,16"W-20"W,13"H,SPORT BACK 4,TRU BALANCE 3	1
B1	SET1902570	SEAT BACK,ASSY,16"W,16"W-20"W,15"H,SPORT BACK 4,TRU BALANCE 3	1
C1	SET1902600	SEAT BACK,ASSY,16"W,16"W-20"W,17"H,SPORT BACK 4,TRU BALANCE 3	1
D1	SET1902613	SEAT BACK,ASSY,16"W,16"W-20"W,19"H,SPORT BACK 4,TRU BALANCE 3	1
E1	SET1902625	SEAT BACK,ASSY,16"W,16"W-20"W,21"H,SPORT BACK 4,TRU BALANCE 3	1
F1	SET1902637	SEAT BACK,ASSY,16"W,16"W-20"W,23"H,SPORT BACK 4,TRU BALANCE 3	1
G1	SET1907173	SEAT BACK,ASSY,16"W,16"W-20"W,25"H,SPORT BACK 4,TRU BALANCE 3	1
H1	SET1902551	SEAT BACK,ASSY,17"W,16"W-20"W,13"H,SPORT BACK 4,TRU BALANCE 3	1
I1	SET1902571	SEAT BACK,ASSY,17"W,16"W-20"W,15"H,SPORT BACK 4,TRU BALANCE 3	1
J1	SET1902601	SEAT BACK,ASSY,17"W,16"W-20"W,17"H,SPORT BACK 4,TRU BALANCE 3	1
K1	SET1902614	SEAT BACK,ASSY,17"W,16"W-20"W,19"H,SPORT BACK 4,TRU BALANCE 3	1
L1	SET1902626	SEAT BACK,ASSY,17"W,16"W-20"W,21"H,SPORT BACK 4,TRU BALANCE 3	1
M1	SET1902638	SEAT BACK,ASSY,17"W,16"W-20"W,23"H,SPORT BACK 4,TRU BALANCE 3	1
N1	SET1907174	SEAT BACK,ASSY,17"W,16"W-20"W,25"H,SPORT BACK 4,TRU BALANCE 3	1
O1	SET1908880	SEAT BACK,ASSY,18"W,16"W-20"W,13"H,SPORT BACK 4,TRU BALANCE 3	1
P1	SET1908881	SEAT BACK,ASSY,18"W,16"W-20"W,15"H,SPORT BACK 4,TRU BALANCE 3	1
Q1	SET1908882	SEAT BACK,ASSY,18"W,16"W-20"W,17"H,SPORT BACK 4,TRU BALANCE 3	1
R1	SET1908883	SEAT BACK,ASSY,18"W,16"W-20"W,19"H,SPORT BACK 4,TRU BALANCE 3	1
S1	SET1908884	SEAT BACK,ASSY,18"W,16"W-20"W,21"H,SPORT BACK 4,TRU BALANCE 3	1
T1	SET1908885	SEAT BACK,ASSY,18"W,16"W-20"W,23"H,SPORT BACK 4,TRU BALANCE 3	1
U1	SET1908886	SEAT BACK,ASSY,18"W,16"W-20"W,25"H,SPORT BACK 4,TRU BALANCE 3	1
V1	SET1908887	SEAT BACK,ASSY,19"W,16"W-20"W,13"H,SPORT BACK 4,TRU BALANCE 3	1
W1	SET1908888	SEAT BACK,ASSY,19"W,16"W-20"W,15"H,SPORT BACK 4,TRU BALANCE 3	1
X1	SET1908889	SEAT BACK,ASSY,19"W,16"W-20"W,17"H,SPORT BACK 4,TRU BALANCE 3	1
Y1	SET1908890	SEAT BACK,ASSY,19"W,16"W-20"W,19"H,SPORT BACK 4,TRU BALANCE 3	1
Z1	SET1908891	SEAT BACK,ASSY,19"W,16"W-20"W,21"H,SPORT BACK 4,TRU BALANCE 3	1
AA1	SET1908892	SEAT BACK,ASSY,19"W,16"W-20"W,23"H,SPORT BACK 4,TRU BALANCE 3	1
BB1	SET1908893	SEAT BACK,ASSY,19"W,16"W-20"W,25"H,SPORT BACK 4,TRU BALANCE 3	1
CC1	SET1908894	SEAT BACK,ASSY,20"W,16"W-20"W,13"H,SPORT BACK 4,TRU BALANCE 3	1
DD1	SET1908895	SEAT BACK,ASSY,20"W,16"W-20"W,15"H,SPORT BACK 4,TRU BALANCE 3	1
EE1	SET1908896	SEAT BACK,ASSY,20"W,16"W-20"W,17"H,SPORT BACK 4,TRU BALANCE 3	1
FF1	SET1908897	SEAT BACK,ASSY,20"W,16"W-20"W,19"H,SPORT BACK 4,TRU BALANCE 3	1
GG1	SET1908898	SEAT BACK,ASSY,20"W,16"W-20"W,21"H,SPORT BACK 4,TRU BALANCE 3	1
HH1	SET1908899	SEAT BACK,ASSY,20"W,16"W-20"W,23"H,SPORT BACK 4,TRU BALANCE 3	1
II1	SET1908900	SEAT BACK,ASSY,20"W,16"W-20"W,25"H,SPORT BACK 4,TRU BALANCE 3	1
JJ1	MEC1907389	BACK CUSHION SECUREMENT BRACKET,REDESIGNED BACK,PAIR	1

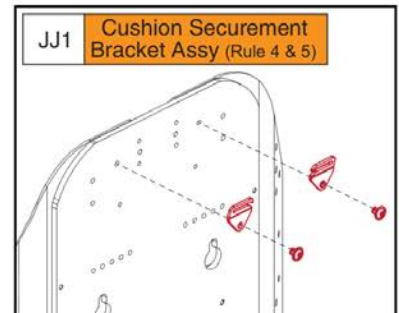
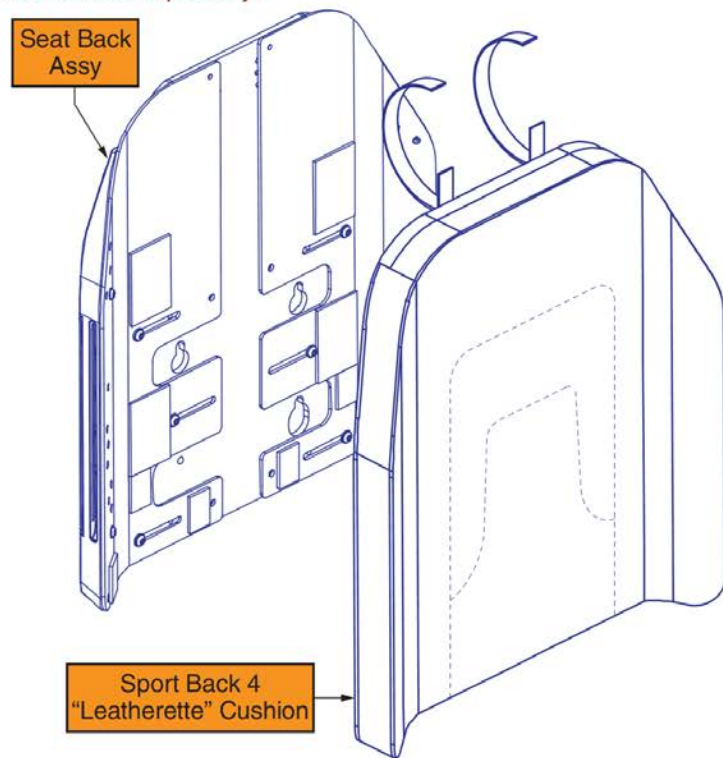
8.1. Complete Sport Back 4 Assy's

18" - 22" W Sport Back 4 Assy's (See All Rules)				
Ref	Actual Back/ Cushion Size		Overall Seat Back Heights	
	Width	Height	Static/Tilt Backs (Rule 2)	Recline Backs (Rule 3)
A1	18"	13"	16" or 17"	19" or 20"
B1	18"	15"	18" or 19"	21" or 22"
C1	18"	17"	20" or 21"	23" or 24"
D1	18"	19"	22" or 23"	25" or 26"
E1	18"	21"	24" or 25"	27" or 28"
F1	18"	23"	26" or 27"	29" or 30"
G1	18"	25"	28" or 29"	31" or 32"
H1	19"	13"	16" or 17"	19" or 20"
I1	19"	15"	18" or 19"	21" or 22"
J1	19"	17"	20" or 21"	23" or 24"
K1	19"	19"	22" or 23"	25" or 26"
L1	19"	21"	24" or 25"	27" or 28"
M1	19"	23"	26" or 27"	29" or 30"
N1	19"	25"	28" or 29"	31" or 32"
O1	20"	13"	16" or 17"	19" or 20"
P1	20"	15"	18" or 19"	21" or 22"
Q1	20"	17"	20" or 21"	23" or 24"
R1	20"	19"	22" or 23"	25" or 26"
S1	20"	21"	24" or 25"	27" or 28"
T1	20"	23"	26" or 27"	29" or 30"
U1	20"	25"	28" or 29"	31" or 32"
V1	21"	13"	16" or 17"	19" or 20"
W1	21"	15"	18" or 19"	21" or 22"
X1	21"	17"	20" or 21"	23" or 24"
Y1	21"	19"	22" or 23"	25" or 26"
Z1	21"	21"	24" or 25"	27" or 28"
AA1	21"	23"	26" or 27"	29" or 30"
BB1	21"	25"	28" or 29"	31" or 32"
CC1	22"	13"	16" or 17"	19" or 20"
DD1	22"	15"	18" or 19"	21" or 22"
EE1	22"	17"	20" or 21"	23" or 24"
FF1	22"	19"	22" or 23"	25" or 26"

18" - 22" W Sport Back 4 Assy's (See All Rules)				
Ref	Actual Back/ Cushion Size		Overall Seat Back Heights	
	Width	Height	Static/Tilt Backs (Rule 2)	Recline Backs (Rule 3)
GG1	22"	21"	24" or 25"	27" or 28"
HH1	22"	23"	26" or 27"	29" or 30"
II1	22"	25"	28" or 29"	31" or 32"

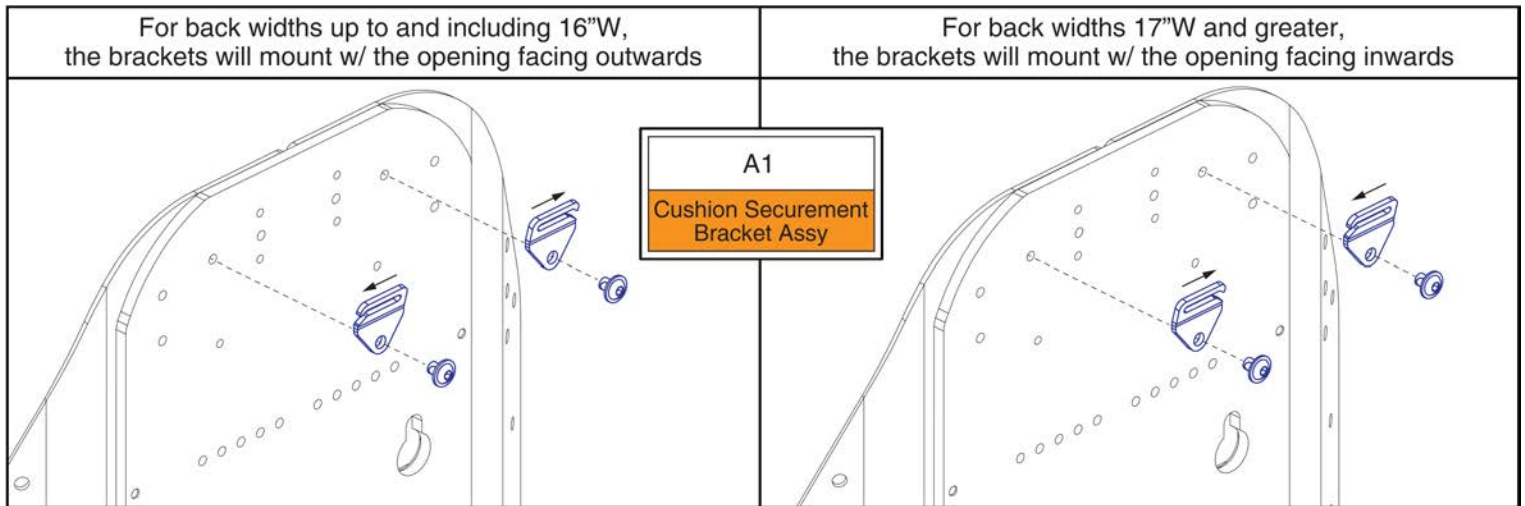
Rules:

1. The listed assy's include the Seat Back Assy & the Sport Back 4 Cushion.
2. The sizes represent a cushion to pan gap of 3" for even sized overall back heights and 4" for odd sized overall back heights.
3. The sizes represent a cushion to pan gap of 6" for odd sized overall back heights and 7" for even sized overall back heights.
4. The Cushion Securement Bracket Assy (JJ1) for 18"-22"W Backs will mount with the openings facing inwards.
5. The Securement Brackets (JJ1) are not included with the assy and must be selected separately.



Item	Part No.	Name	Qty
A1	SET1902553	SEAT BACK,ASSY,18"W,18"W-22"W,13"H,SPORT BACK 4,TRU BALANCE 3	1
B1	SET1902574	SEAT BACK,ASSY,18"W,18"W-22"W,15"H,SPORT BACK 4,TRU BALANCE 3	1
C1	SET1902603	SEAT BACK,ASSY,18"W,18"W-22"W,17"H,SPORT BACK 4,TRU BALANCE 3	1
D1	SET1902616	SEAT BACK,ASSY,18"W,18"W-22"W,19"H,SPORT BACK 4,TRU BALANCE 3	1
E1	SET1902628	SEAT BACK,ASSY,18"W,18"W-22"W,21"H,SPORT BACK 4,TRU BALANCE 3	1
F1	SET1902640	SEAT BACK,ASSY,18"W,18"W-22"W,23"H,SPORT BACK 4,TRU BALANCE 3	1
G1	SET1907175	SEAT BACK,ASSY,18"W,18"W-22"W,25"H,SPORT BACK 4,TRU BALANCE 3	1
H1	SET1902554	SEAT BACK,ASSY,19"W,18"W-22"W,13"H,SPORT BACK 4,TRU BALANCE 3	1
I1	SET1902575	SEAT BACK,ASSY,19"W,18"W-22"W,15"H,SPORT BACK 4,TRU BALANCE 3	1
J1	SET1902604	SEAT BACK,ASSY,19"W,18"W-22"W,17"H,SPORT BACK 4,TRU BALANCE 3	1
K1	SET1902617	SEAT BACK,ASSY,19"W,18"W-22"W,19"H,SPORT BACK 4,TRU BALANCE 3	1
L1	SET1902629	SEAT BACK,ASSY,19"W,18"W-22"W,21"H,SPORT BACK 4,TRU BALANCE 3	1
M1	SET1902641	SEAT BACK,ASSY,19"W,18"W-22"W,23"H,SPORT BACK 4,TRU BALANCE 3	1
N1	SET1907176	SEAT BACK,ASSY,19"W,18"W-22"W,25"H,SPORT BACK 4,TRU BALANCE 3	1
O1	SET1902555	SEAT BACK,ASSY,20"W,18"W-22"W,13"H,SPORT BACK 4,TRU BALANCE 3	1
P1	SET1902576	SEAT BACK,ASSY,20"W,18"W-22"W,15"H,SPORT BACK 4,TRU BALANCE 3	1
Q1	SET1902605	SEAT BACK,ASSY,20"W,18"W-22"W,17"H,SPORT BACK 4,TRU BALANCE 3	1
R1	SET1902618	SEAT BACK,ASSY,20"W,18"W-22"W,19"H,SPORT BACK 4,TRU BALANCE 3	1
S1	SET1902630	SEAT BACK,ASSY,20"W,18"W-22"W,21"H,SPORT BACK 4,TRU BALANCE 3	1
T1	SET1902643	SEAT BACK,ASSY,20"W,18"W-22"W,23"H,SPORT BACK 4,TRU BALANCE 3	1
U1	SET1902866	SEAT BACK,ASSY,20"W,18"W-22"W,25"H,SPORT BACK 4,TRU BALANCE 3	1
V1	SET1902556	SEAT BACK,ASSY,21"W,18"W-22"W,13"H,SPORT BACK 4,TRU BALANCE 3	1
W1	SET1902577	SEAT BACK,ASSY,21"W,18"W-22"W,15"H,SPORT BACK 4,TRU BALANCE 3	1
X1	SET1902606	SEAT BACK,ASSY,21"W,18"W-22"W,17"H,SPORT BACK 4,TRU BALANCE 3	1
Y1	SET1902619	SEAT BACK,ASSY,21"W,18"W-22"W,19"H,SPORT BACK 4,TRU BALANCE 3	1
Z1	SET1902631	SEAT BACK,ASSY,21"W,18"W-22"W,21"H,SPORT BACK 4,TRU BALANCE 3	1
AA1	SET1902644	SEAT BACK,ASSY,21"W,18"W-22"W,23"H,SPORT BACK 4,TRU BALANCE 3	1
BB1	SET1902858	SEAT BACK,ASSY,21"W,18"W-22"W,25"H,SPORT BACK 4,TRU BALANCE 3	1
CC1	SET1908901	SEAT BACK,ASSY,22"W,18"W-22"W,13"H,SPORT BACK 4,TRU BALANCE 3	1
DD1	SET1908902	SEAT BACK,ASSY,22"W,18"W-22"W,15"H,SPORT BACK 4,TRU BALANCE 3	1
EE1	SET1908903	SEAT BACK,ASSY,22"W,18"W-22"W,17"H,SPORT BACK 4,TRU BALANCE 3	1
FF1	SET1908904	SEAT BACK,ASSY,22"W,18"W-22"W,19"H,SPORT BACK 4,TRU BALANCE 3	1
GG1	SET1908905	SEAT BACK,ASSY,22"W,18"W-22"W,21"H,SPORT BACK 4,TRU BALANCE 3	1
HH1	SET1902645	SEAT BACK,ASSY,22"W,18"W-22"W,23"H,SPORT BACK 4,TRU BALANCE 3	1
II1	SET1902859	SEAT BACK,ASSY,22"W,18"W-22"W,25"H,SPORT BACK 4,TRU BALANCE 3	1
JJ1	MEC1907389	BACK CUSHION SECUREMENT BRACKET,REDESIGNED BACK,PAIR	1

8.1. Complete Sport Back 4 Assy's



TB3 Back Cushion Securement Brackets



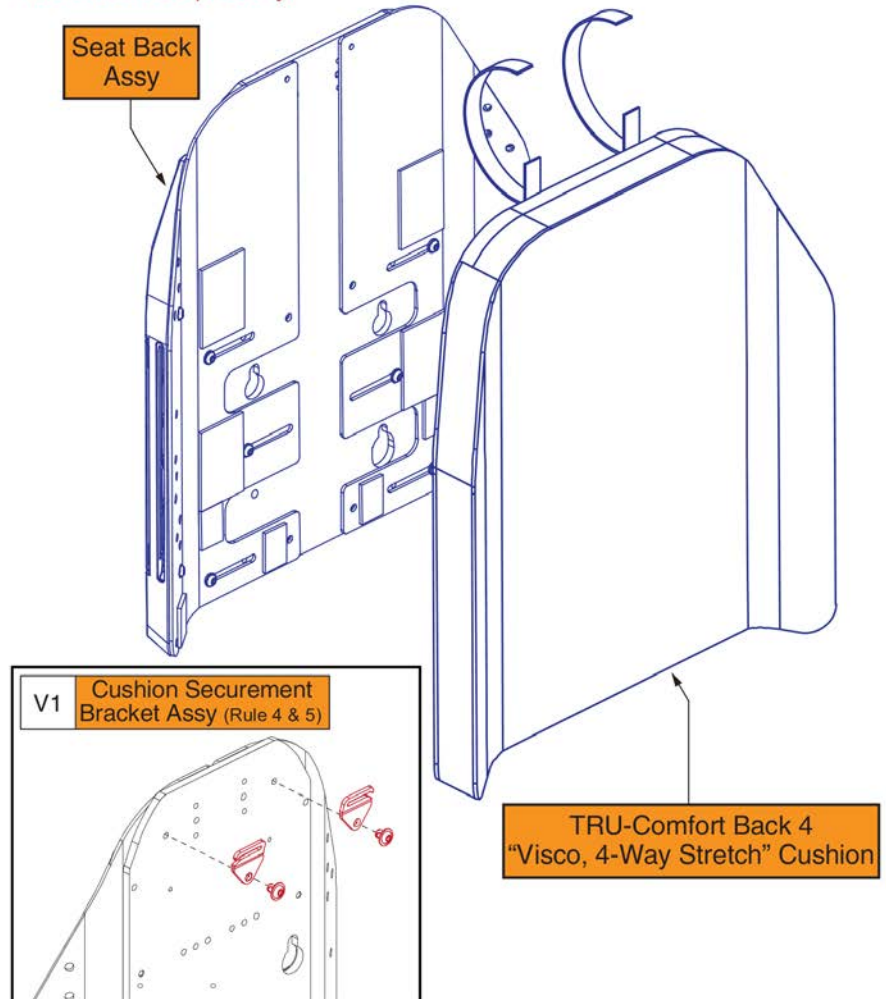
Item	Part No.	Name	Qty
A1	MEC1907389	BACK CUSHION SECUREMENT BRACKET, REDESIGNED BACK, PAIR	1

8.2. Complete TRU-Comfort Back 4 Assy's

14" - 16" W TRU-Comfort Back 4 Assy's (See All Rules)				
Ref	Actual Back/ Cushion Size		Overall Seat Back Heights	
	Width	Height	Static/Tilt Backs (Rule 2)	Recline Backs (Rule 3)
A1	14"	13"	16" or 17"	19" or 20"
B1	14"	15"	18" or 19"	21" or 22"
C1	14"	17"	20" or 21"	23" or 24"
D1	14"	19"	22" or 23"	25" or 26"
E1	14"	21"	24" or 25"	27" or 28"
F1	14"	23"	26" or 27"	29" or 30"
G1	14"	25"	28" or 29"	31" or 32"
H1	15"	13"	16" or 17"	19" or 20"
I1	15"	15"	18" or 19"	21" or 22"
J1	15"	17"	20" or 21"	23" or 24"
K1	15"	19"	22" or 23"	25" or 26"
L1	15"	21"	24" or 25"	27" or 28"
M1	15"	23"	26" or 27"	29" or 30"
N1	15"	25"	28" or 29"	31" or 32"
O1	16"	13"	16" or 17"	19" or 20"
P1	16"	15"	18" or 19"	21" or 22"
Q1	16"	17"	20" or 21"	23" or 24"
R1	16"	19"	22" or 23"	25" or 26"
S1	16"	21"	24" or 25"	27" or 28"
T1	16"	23"	26" or 27"	29" or 30"
U1	16"	25"	28" or 29"	31" or 32"

Rules:

1. The listed assy's include the Seat Back Assy & the TRU-Comfort Back 4 Cushion.
2. The sizes represent a cushion to pan gap of 3" for even sized overall back heights and 4" for odd sized overall back heights.
3. The sizes represent a cushion to pan gap of 6" for odd sized overall back heights and 7" for even sized overall back heights.
4. The Cushion Securement Bracket Assy (V1) for 14"-16"W Backs will mount with the openings facing outwards.
5. The Securement Brackets (V1) are not included with the assy and must be selected separately.



Item	Part No.	Name	Qty
A1	SET1906056	SEAT BACK,ASSY,VISCO,14"W,14"W-16"W,13"H,TRU-COMFORT BACK 4,TRU BALANCE 3	1
B1	SET1906073	SEAT BACK,ASSY,VISCO,14"W,14"W-16"W,15"H,TRU-COMFORT BACK 4,TRU BALANCE 3	1
C1	SET1906089	SEAT BACK,ASSY,VISCO,14"W,14"W-16"W,17"H,TRU-COMFORT BACK 4,TRU BALANCE 3	1
D1	SET1906097	SEAT BACK,ASSY,VISCO,14"W,14"W-16"W,19"H,TRU-COMFORT BACK 4,TRU BALANCE 3	1
E1	SET1906105	SEAT BACK,ASSY,VISCO,14"W,14"W-16"W,21"H,TRU-COMFORT BACK 4,TRU BALANCE 3	1
F1	SET1906157	SEAT BACK,ASSY,VISCO,14"W,14"W-16"W,23"H,TRU-COMFORT BACK 4,TRU BALANCE 3	1
G1	SET1906140	SEAT BACK,ASSY,VISCO,14"W,14"W-16"W,25"H,TRU-COMFORT BACK 4,TRU BALANCE 3	1
H1	SET1906057	SEAT BACK,ASSY,VISCO,15"W,14"W-16"W,13"H,TRU-COMFORT BACK 4,TRU BALANCE 3	1
I1	SET1906076	SEAT BACK,ASSY,VISCO,15"W,14"W-16"W,15"H,TRU-COMFORT BACK 4,TRU BALANCE 3	1
J1	SET1906090	SEAT BACK,ASSY,VISCO,15"W,14"W-16"W,17"H,TRU-COMFORT BACK 4,TRU BALANCE 3	1
K1	SET1906098	SEAT BACK,ASSY,VISCO,15"W,14"W-16"W,19"H,TRU-COMFORT BACK 4,TRU BALANCE 3	1
L1	SET1906106	SEAT BACK,ASSY,VISCO,15"W,14"W-16"W,21"H,TRU-COMFORT BACK 4,TRU BALANCE 3	1
M1	SET1906158	SEAT BACK,ASSY,VISCO,15"W,14"W-16"W,23"H,TRU-COMFORT BACK 4,TRU BALANCE 3	1
N1	SET1906141	SEAT BACK,ASSY,VISCO,15"W,14"W-16"W,25"H,TRU-COMFORT BACK 4,TRU BALANCE 3	1
O1	SET1908906	SEAT BACK,ASSY,VISCO,16"W,14"W-16"W,13"H,TRU-COMFORT BACK 4,TRU BALANCE 3	1
P1	SET1908907	SEAT BACK,ASSY,VISCO,16"W,14"W-16"W,15"H,TRU-COMFORT BACK 4,TRU BALANCE 3	1
Q1	SET1908908	SEAT BACK,ASSY,VISCO,16"W,14"W-16"W,17"H,TRU-COMFORT BACK 4,TRU BALANCE 3	1
R1	SET1908909	SEAT BACK,ASSY,VISCO,16"W,14"W-16"W,19"H,TRU-COMFORT BACK 4,TRU BALANCE 3	1
S1	SET1908910	SEAT BACK,ASSY,VISCO,16"W,14"W-16"W,21"H,TRU-COMFORT BACK 4,TRU BALANCE 3	1
T1	SET1908911	SEAT BACK,ASSY,VISCO,16"W,14"W-16"W,23"H,TRU-COMFORT BACK 4,TRU BALANCE 3	1
U1	SET1908912	SEAT BACK,ASSY,VISCO,16"W,14"W-16"W,25"H,TRU-COMFORT BACK 4,TRU BALANCE 3	1
V1	MEC1907389	BACK CUSHION SECUREMENT BRACKET,REDESIGNED BACK,PAIR	1

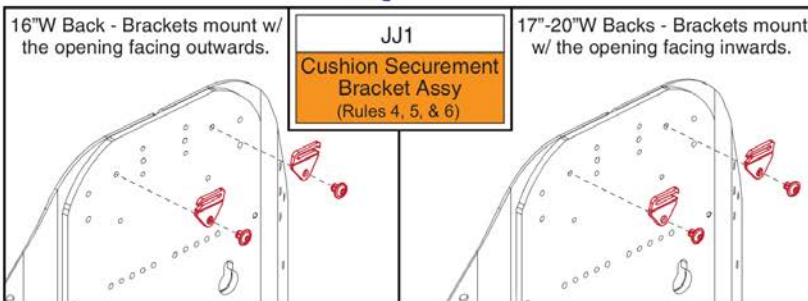
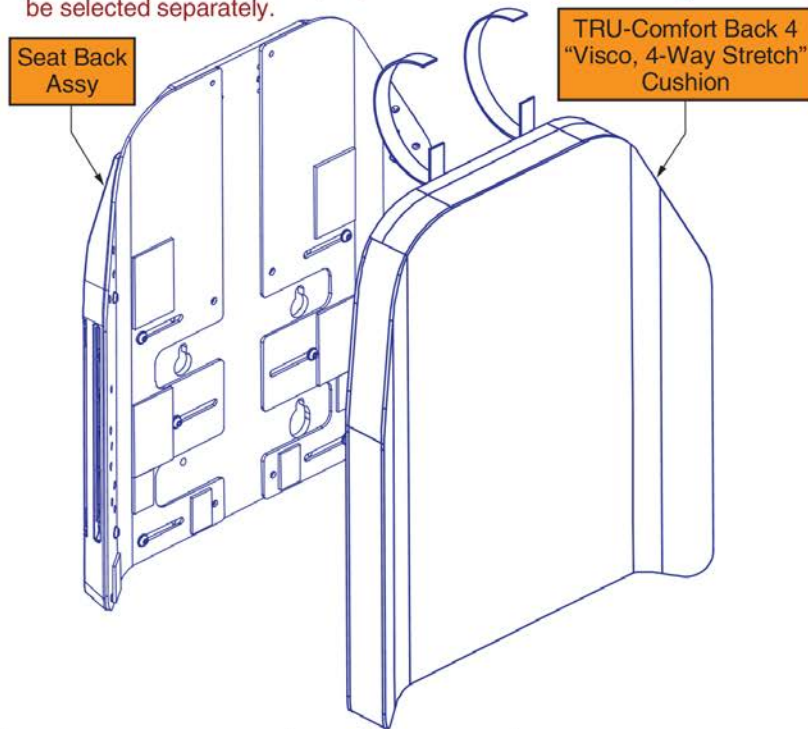
8.2. Complete TRU-Comfort Back 4 Assy's

16" - 20" W TRU-Comfort Back 4 Assy's (See All Rules)				
Ref	Actual Back/ Cushion Size		Overall Seat Back Heights	
	Width	Height	Static/Tilt Backs (Rule 2)	Recline Backs (Rule 3)
A1	16"	13"	16" or 17"	19" or 20"
B1	16"	15"	18" or 19"	21" or 22"
C1	16"	17"	20" or 21"	23" or 24"
D1	16"	19"	22" or 23"	25" or 26"
E1	16"	21"	24" or 25"	27" or 28"
F1	16"	23"	26" or 27"	29" or 30"
G1	16"	25"	28" or 29"	31" or 32"
H1	17"	13"	16" or 17"	19" or 20"
I1	17"	15"	18" or 19"	21" or 22"
J1	17"	17"	20" or 21"	23" or 24"
K1	17"	19"	22" or 23"	25" or 26"
L1	17"	21"	24" or 25"	27" or 28"
M1	17"	23"	26" or 27"	29" or 30"
N1	17"	25"	28" or 29"	31" or 32"
O1	18"	13"	16" or 17"	19" or 20"
P1	18"	15"	18" or 19"	21" or 22"
Q1	18"	17"	20" or 21"	23" or 24"
R1	18"	19"	22" or 23"	25" or 26"
S1	18"	21"	24" or 25"	27" or 28"
T1	18"	23"	26" or 27"	29" or 30"
U1	18"	25"	28" or 29"	31" or 32"
V1	19"	13"	16" or 17"	19" or 20"
W1	19"	15"	18" or 19"	21" or 22"
X1	19"	17"	20" or 21"	23" or 24"
Y1	19"	19"	22" or 23"	25" or 26"
Z1	19"	21"	24" or 25"	27" or 28"
AA1	19"	23"	26" or 27"	29" or 30"
BB1	19"	25"	28" or 29"	31" or 32"
CC1	20"	13"	16" or 17"	19" or 20"
DD1	20"	15"	18" or 19"	21" or 22"
EE1	20"	17"	20" or 21"	23" or 24"
FF1	20"	19"	22" or 23"	25" or 26"

16" - 20" W TRU-Comfort Back 4 Assy's (See All Rules)				
Ref	Actual Back/ Cushion Size		Overall Seat Back Heights	
	Width	Height	Static/Tilt Backs (Rule 2)	Recline Backs (Rule 3)
GG1	20"	21"	24" or 25"	27" or 28"
HH1	20"	23"	26" or 27"	29" or 30"
II1	20"	25"	28" or 29"	31" or 32"

Rules:

- The listed assy's include the Seat Back Assy & the TRU-Comfort Back 4 Cushion.
- The sizes represent a cushion to pan gap of 3" for even sized overall back heights and 4" for odd sized overall back heights.
- The sizes represent a cushion to pan gap of 6" for odd sized overall back heights and 7" for even sized overall back heights.
- The Cushion Securement Bracket Assy (JJ1) for 16"W Backs will mount with the openings facing outwards.
- The Cushion Securement Bracket Assy (JJ1) for 17"-20"W Backs will mount with the openings facing inwards.
- The Securement Brackets (JJ1) are not included with the assy and must be selected separately.



Item	Part No.	Name	Qty
A1	SET1906060	SEAT BACK,ASSY,VISCO,16"W,16"W-20"W,13"H,TRU-COMFORT BACK 4,TRU BALANCE 3	1
B1	SET1906078	SEAT BACK,ASSY,VISCO,16"W,16"W-20"W,15"H,TRU-COMFORT BACK 4,TRU BALANCE 3	1
C1	SET1906091	SEAT BACK,ASSY,VISCO,16"W,16"W-20"W,17"H,TRU-COMFORT BACK 4,TRU BALANCE 3	1
D1	SET1906099	SEAT BACK,ASSY,VISCO,16"W,16"W-20"W,19"H,TRU-COMFORT BACK 4,TRU BALANCE 3	1
E1	SET1906107	SEAT BACK,ASSY,VISCO,16"W,16"W-20"W,21"H,TRU-COMFORT BACK 4,TRU BALANCE 3	1
F1	SET1906211	SEAT BACK,ASSY,VISCO,16"W,16"W-20"W,23"H,TRU-COMFORT BACK 4,TRU BALANCE 3	1
G1	SET1906143	SEAT BACK,ASSY,VISCO,16"W,16"W-20"W,25"H,TRU-COMFORT BACK 4,TRU BALANCE 3	1
H1	SET1906061	SEAT BACK,ASSY,VISCO,17"W,16"W-20"W,13"H,TRU-COMFORT BACK 4,TRU BALANCE 3	1
I1	SET1906080	SEAT BACK,ASSY,VISCO,17"W,16"W-20"W,15"H,TRU-COMFORT BACK 4,TRU BALANCE 3	1
J1	SET1906092	SEAT BACK,ASSY,VISCO,17"W,16"W-20"W,17"H,TRU-COMFORT BACK 4,TRU BALANCE 3	1
K1	SET1906100	SEAT BACK,ASSY,VISCO,17"W,16"W-20"W,19"H,TRU-COMFORT BACK 4,TRU BALANCE 3	1
L1	SET1906108	SEAT BACK,ASSY,VISCO,17"W,16"W-20"W,21"H,TRU-COMFORT BACK 4,TRU BALANCE 3	1
M1	SET1906210	SEAT BACK,ASSY,VISCO,17"W,16"W-20"W,23"H,TRU-COMFORT BACK 4,TRU BALANCE 3	1
N1	SET1906144	SEAT BACK,ASSY,VISCO,17"W,16"W-20"W,25"H,TRU-COMFORT BACK 4,TRU BALANCE 3	1
O1	SET1908913	SEAT BACK,ASSY,VISCO,18"W,16"W-20"W,13"H,TRU-COMFORT BACK 4,TRU BALANCE 3	1
P1	SET1908914	SEAT BACK,ASSY,VISCO,18"W,16"W-20"W,15"H,TRU-COMFORT BACK 4,TRU BALANCE 3	1
Q1	SET1908915	SEAT BACK,ASSY,VISCO,18"W,16"W-20"W,17"H,TRU-COMFORT BACK 4,TRU BALANCE 3	1
R1	SET1908916	SEAT BACK,ASSY,VISCO,18"W,16"W-20"W,19"H,TRU-COMFORT BACK 4,TRU BALANCE 3	1
S1	SET1908917	SEAT BACK,ASSY,VISCO,18"W,16"W-20"W,21"H,TRU-COMFORT BACK 4,TRU BALANCE 3	1
T1	SET1908918	SEAT BACK,ASSY,VISCO,18"W,16"W-20"W,23"H,TRU-COMFORT BACK 4,TRU BALANCE 3	1
U1	SET1908919	SEAT BACK,ASSY,VISCO,18"W,16"W-20"W,25"H,TRU-COMFORT BACK 4,TRU BALANCE 3	1
V1	SET1908920	SEAT BACK,ASSY,VISCO,19"W,16"W-20"W,13"H,TRU-COMFORT BACK 4,TRU BALANCE 3	1
W1	SET1908921	SEAT BACK,ASSY,VISCO,19"W,16"W-20"W,15"H,TRU-COMFORT BACK 4,TRU BALANCE 3	1
X1	SET1908922	SEAT BACK,ASSY,VISCO,19"W,16"W-20"W,17"H,TRU-COMFORT BACK 4,TRU BALANCE 3	1
Y1	SET1908923	SEAT BACK,ASSY,VISCO,19"W,16"W-20"W,19"H,TRU-COMFORT BACK 4,TRU BALANCE 3	1
Z1	SET1908924	SEAT BACK,ASSY,VISCO,19"W,16"W-20"W,21"H,TRU-COMFORT BACK 4,TRU BALANCE 3	1
AA1	SET1908925	SEAT BACK,ASSY,VISCO,19"W,16"W-20"W,23"H,TRU-COMFORT BACK 4,TRU BALANCE 3	1
BB1	SET1908926	SEAT BACK,ASSY,VISCO,19"W,16"W-20"W,25"H,TRU-COMFORT BACK 4,TRU BALANCE 3	1
CC1	SET1908927	SEAT BACK,ASSY,VISCO,20"W,16"W-20"W,13"H,TRU-COMFORT BACK 4,TRU BALANCE 3	1
DD1	SET1908928	SEAT BACK,ASSY,VISCO,20"W,16"W-20"W,15"H,TRU-COMFORT BACK 4,TRU BALANCE 3	1
EE1	SET1908929	SEAT BACK,ASSY,VISCO,20"W,16"W-20"W,17"H,TRU-COMFORT BACK 4,TRU BALANCE 3	1
FF1	SET1908930	SEAT BACK,ASSY,VISCO,20"W,16"W-20"W,19"H,TRU-COMFORT BACK 4,TRU BALANCE 3	1
GG1	SET1908931	SEAT BACK,ASSY,VISCO,20"W,16"W-20"W,21"H,TRU-COMFORT BACK 4,TRU BALANCE 3	1
HH1	SET1908932	SEAT BACK,ASSY,VISCO,20"W,16"W-20"W,23"H,TRU-COMFORT BACK 4,TRU BALANCE 3	1
II1	SET1908933	SEAT BACK,ASSY,VISCO,20"W,16"W-20"W,25"H,TRU-COMFORT BACK 4,TRU BALANCE 3	1
JJ1	MEC1907389	BACK CUSHION SECUREMENT BRACKET,REDESIGNED BACK,PAIR	1

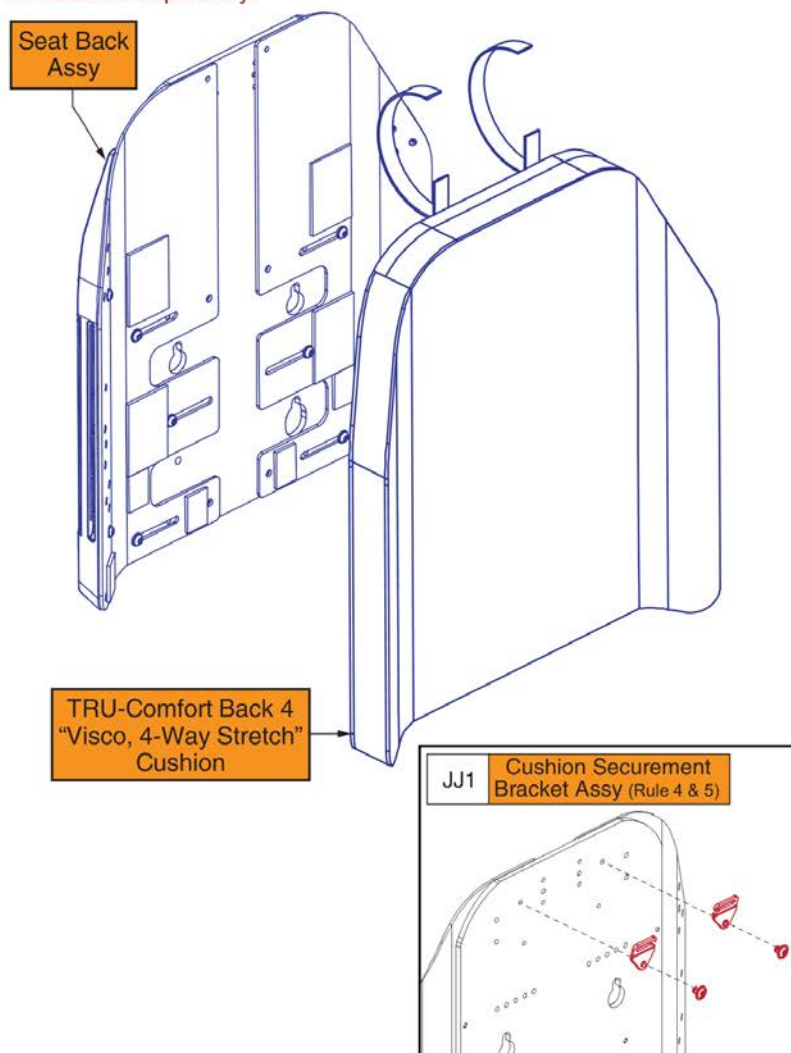
8.2. Complete TRU-Comfort Back 4 Assy's

18" - 22" W TRU-Comfort Back 4 Assy's (See All Rules)				
Ref	Actual Back/ Cushion Size		Overall Seat Back Heights	
	Width	Height	Static/Tilt Backs (Rule 2)	Recline Backs (Rule 3)
A1	18"	13"	16" or 17"	19" or 20"
B1	18"	15"	18" or 19"	21" or 22"
C1	18"	17"	20" or 21"	23" or 24"
D1	18"	19"	22" or 23"	25" or 26"
E1	18"	21"	24" or 25"	27" or 28"
F1	18"	23"	26" or 27"	29" or 30"
G1	18"	25"	28" or 29"	31" or 32"
H1	19"	13"	16" or 17"	19" or 20"
I1	19"	15"	18" or 19"	21" or 22"
J1	19"	17"	20" or 21"	23" or 24"
K1	19"	19"	22" or 23"	25" or 26"
L1	19"	21"	24" or 25"	27" or 28"
M1	19"	23"	26" or 27"	29" or 30"
N1	19"	25"	28" or 29"	31" or 32"
O1	20"	13"	16" or 17"	19" or 20"
P1	20"	15"	18" or 19"	21" or 22"
Q1	20"	17"	20" or 21"	23" or 24"
R1	20"	19"	22" or 23"	25" or 26"
S1	20"	21"	24" or 25"	27" or 28"
T1	20"	23"	26" or 27"	29" or 30"
U1	20"	25"	28" or 29"	31" or 32"
V1	21"	13"	16" or 17"	19" or 20"
W1	21"	15"	18" or 19"	21" or 22"
X1	21"	17"	20" or 21"	23" or 24"
Y1	21"	19"	22" or 23"	25" or 26"
Z1	21"	21"	24" or 25"	27" or 28"
AA1	21"	23"	26" or 27"	29" or 30"
BB1	21"	25"	28" or 29"	31" or 32"
CC1	22"	13"	16" or 17"	19" or 20"
DD1	22"	15"	18" or 19"	21" or 22"
EE1	22"	17"	20" or 21"	23" or 24"
FF1	22"	19"	22" or 23"	25" or 26"

18" - 22" W TRU-Comfort Back 4 Assy's (See All Rules)				
Ref	Actual Back/ Cushion Size		Overall Seat Back Heights	
	Width	Height	Static/Tilt Backs (Rule 2)	Recline Backs (Rule 3)
GG1	22"	21"	24" or 25"	27" or 28"
HH1	22"	23"	26" or 27"	29" or 30"
II1	22"	25"	28" or 29"	31" or 32"

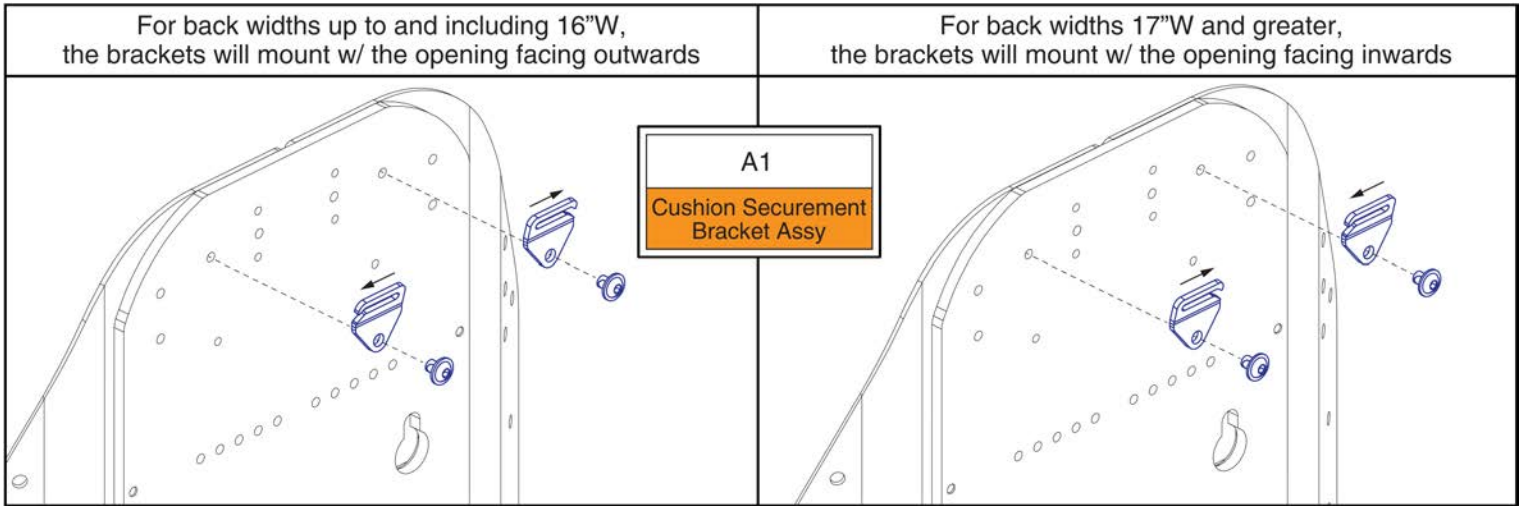
Rules:

1. The listed assy's include the Seat Back Assy & the TRU-Comfort Back 4 Cushion.
2. The sizes represent a cushion to pan gap of 3" for even sized overall back heights and 4" for odd sized overall back heights.
3. The sizes represent a cushion to pan gap of 6" for odd sized overall back heights and 7" for even sized overall back heights.
4. The Cushion Securement Bracket Assy (JJ1) for 18"-22"W Backs will mount with the openings facing inwards.
5. The Securement Brackets (JJ1) are not included with the assy and must be selected separately.



Item	Part No.	Name	Qty
A1	SET1906063	SEAT BACK,ASSY,VISCO,18"W,18"W-22"W,13"H,TRU-COMFORT BACK 4,TRU BALANCE 3	1
B1	SET1906081	SEAT BACK,ASSY,VISCO,18"W,18"W-22"W,15"H,TRU-COMFORT BACK 4,TRU BALANCE 3	1
C1	SET1906093	SEAT BACK,ASSY,VISCO,18"W,18"W-22"W,17"H,TRU-COMFORT BACK 4,TRU BALANCE 3	1
D1	SET1906101	SEAT BACK,ASSY,VISCO,18"W,18"W-22"W,19"H,TRU-COMFORT BACK 4,TRU BALANCE 3	1
E1	SET1906109	SEAT BACK,ASSY,VISCO,18"W,18"W-22"W,21"H,TRU-COMFORT BACK 4,TRU BALANCE 3	1
F1	SET1906209	SEAT BACK,ASSY,VISCO,18"W,18"W-22"W,23"H,TRU-COMFORT BACK 4,TRU BALANCE 3	1
G1	SET1906146	SEAT BACK,ASSY,VISCO,18"W,18"W-22"W,25"H,TRU-COMFORT BACK 4,TRU BALANCE 3	1
H1	SET1906065	SEAT BACK,ASSY,VISCO,19"W,18"W-22"W,13"H,TRU-COMFORT BACK 4,TRU BALANCE 3	1
I1	SET1906083	SEAT BACK,ASSY,VISCO,19"W,18"W-22"W,15"H,TRU-COMFORT BACK 4,TRU BALANCE 3	1
J1	SET1906094	SEAT BACK,ASSY,VISCO,19"W,18"W-22"W,17"H,TRU-COMFORT BACK 4,TRU BALANCE 3	1
K1	SET1906102	SEAT BACK,ASSY,VISCO,19"W,18"W-22"W,19"H,TRU-COMFORT BACK 4,TRU BALANCE 3	1
L1	SET1906110	SEAT BACK,ASSY,VISCO,19"W,18"W-22"W,21"H,TRU-COMFORT BACK 4,TRU BALANCE 3	1
M1	SET1906208	SEAT BACK,ASSY,VISCO,19"W,18"W-22"W,23"H,TRU-COMFORT BACK 4,TRU BALANCE 3	1
N1	SET1906147	SEAT BACK,ASSY,VISCO,19"W,18"W-22"W,25"H,TRU-COMFORT BACK 4,TRU BALANCE 3	1
O1	SET1906070	SEAT BACK,ASSY,VISCO,20"W,18"W-22"W,13"H,TRU-COMFORT BACK 4,TRU BALANCE 3	1
P1	SET1906086	SEAT BACK,ASSY,VISCO,20"W,18"W-22"W,15"H,TRU-COMFORT BACK 4,TRU BALANCE 3	1
Q1	SET1906095	SEAT BACK,ASSY,VISCO,20"W,18"W-22"W,17"H,TRU-COMFORT BACK 4,TRU BALANCE 3	1
R1	SET1906103	SEAT BACK,ASSY,VISCO,20"W,18"W-22"W,19"H,TRU-COMFORT BACK 4,TRU BALANCE 3	1
S1	SET1906111	SEAT BACK,ASSY,VISCO,20"W,18"W-22"W,21"H,TRU-COMFORT BACK 4,TRU BALANCE 3	1
T1	SET1906207	SEAT BACK,ASSY,VISCO,20"W,18"W-22"W,23"H,TRU-COMFORT BACK 4,TRU BALANCE 3	1
U1	SET1906198	SEAT BACK,ASSY,VISCO,20"W,18"W-22"W,25"H,TRU-COMFORT BACK 4,TRU BALANCE 3	1
V1	SET1906071	SEAT BACK,ASSY,VISCO,21"W,18"W-22"W,13"H,TRU-COMFORT BACK 4,TRU BALANCE 3	1
W1	SET1906087	SEAT BACK,ASSY,VISCO,21"W,18"W-22"W,15"H,TRU-COMFORT BACK 4,TRU BALANCE 3	1
X1	SET1906096	SEAT BACK,ASSY,VISCO,21"W,18"W-22"W,17"H,TRU-COMFORT BACK 4,TRU BALANCE 3	1
Y1	SET1906104	SEAT BACK,ASSY,VISCO,21"W,18"W-22"W,19"H,TRU-COMFORT BACK 4,TRU BALANCE 3	1
Z1	SET1906113	SEAT BACK,ASSY,VISCO,21"W,18"W-22"W,21"H,TRU-COMFORT BACK 4,TRU BALANCE 3	1
AA1	SET1906206	SEAT BACK,ASSY,VISCO,21"W,18"W-22"W,23"H,TRU-COMFORT BACK 4,TRU BALANCE 3	1
BB1	SET1906197	SEAT BACK,ASSY,VISCO,21"W,18"W-22"W,25"H,TRU-COMFORT BACK 4,TRU BALANCE 3	1
CC1	SET1908934	SEAT BACK,ASSY,VISCO,22"W,18"W-22"W,13"H,TRU-COMFORT BACK 4,TRU BALANCE 3	1
DD1	SET1908936	SEAT BACK,ASSY,VISCO,22"W,18"W-22"W,15"H,TRU-COMFORT BACK 4,TRU BALANCE 3	1
EE1	SET1908937	SEAT BACK,ASSY,VISCO,22"W,18"W-22"W,17"H,TRU-COMFORT BACK 4,TRU BALANCE 3	1
FF1	SET1908938	SEAT BACK,ASSY,VISCO,22"W,18"W-22"W,19"H,TRU-COMFORT BACK 4,TRU BALANCE 3	1
GG1	SET1908939	SEAT BACK,ASSY,VISCO,22"W,18"W-22"W,21"H,TRU-COMFORT BACK 4,TRU BALANCE 3	1
HH1	SET1906205	SEAT BACK,ASSY,VISCO,22"W,18"W-22"W,23"H,TRU-COMFORT BACK 4,TRU BALANCE 3	1
II1	SET1906187	SEAT BACK,ASSY,VISCO,22"W,18"W-22"W,25"H,TRU-COMFORT BACK 4,TRU BALANCE 3	1
JJ1	MEC1907389	BACK CUSHION SECUREMENT BRACKET,REDESIGNED BACK,PAIR	1

8.2. Complete TRU-Comfort Back 4 Assy's



TB3 Back Cushion Securement Brackets



Item	Part No.	Name	Qty
A1	MEC1907389	BACK CUSHION SECUREMENT BRACKET,REDESIGNED BACK,PAIR	1

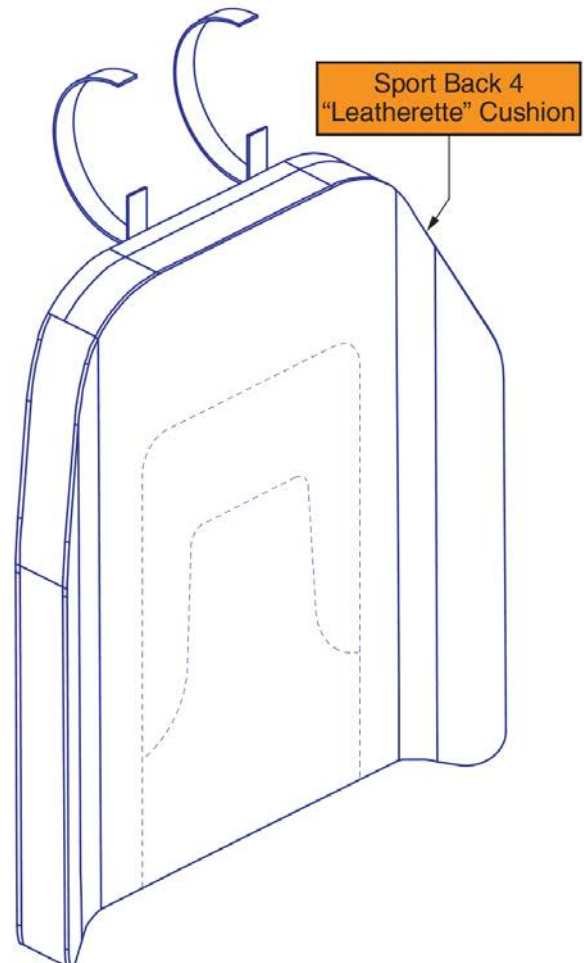
8.3. Sport Back 4 Cushions

14" - 18" W Sport Back 4 Cushions				
Ref	Actual Back/ Cushion Size		For use on units with overall back Heights of:	
	Width	Height	Static/Tilt Backs ¹	Recline Backs ²
A1	14"	13"	16" or 17"	19" or 20"
B1	14"	15"	18" or 19"	21" or 22"
C1	14"	17"	20" or 21"	23" or 24"
D1	14"	19"	22" or 23"	25" or 26"
E1	14"	21"	24" or 25"	27" or 28"
F1	14"	23"	26" or 27"	29" or 30"
G1	14"	25"	28" or 29"	31" or 32"
H1	15"	13"	16" or 17"	19" or 20"
I1	15"	15"	18" or 19"	21" or 22"
J1	15"	17"	20" or 21"	23" or 24"
K1	15"	19"	22" or 23"	25" or 26"
L1	15"	21"	24" or 25"	27" or 28"
M1	15"	23"	26" or 27"	29" or 30"
N1	15"	25"	28" or 29"	31" or 32"
O1	16"	13"	16" or 17"	19" or 20"
P1	16"	15"	18" or 19"	21" or 22"
Q1	16"	17"	20" or 21"	23" or 24"
R1	16"	19"	22" or 23"	25" or 26"
S1	16"	21"	24" or 25"	27" or 28"
T1	16"	23"	26" or 27"	29" or 30"
U1	16"	25"	28" or 29"	31" or 32"
V1	17"	13"	16" or 17"	19" or 20"
W1	17"	15"	18" or 19"	21" or 22"
X1	17"	17"	20" or 21"	23" or 24"
Y1	17"	19"	22" or 23"	25" or 26"
Z1	17"	21"	24" or 25"	27" or 28"
AA1	17"	23"	26" or 27"	29" or 30"
BB1	17"	25"	28" or 29"	31" or 32"
CC1	18"	13"	16" or 17"	19" or 20"
DD1	18"	15"	18" or 19"	21" or 22"

14" - 18" W Sport Back 4 Cushions				
Ref	Actual Back/ Cushion Size		For use on units with overall back Heights of:	
	Width	Height	Static/Tilt Backs ¹	Recline Backs ²
EE1	18"	17"	20" or 21"	23" or 24"
FF1	18"	19"	22" or 23"	25" or 26"
GG1	18"	21"	24" or 25"	27" or 28"
HH1	18"	23"	26" or 27"	29" or 30"
II1	18"	25"	28" or 29"	31" or 32"

These assemblies include the Complete Sport Back 4 Cushion. The outer cover is available separately.

1. The sizes represent a cushion to pan gap of 3" for even sized overall back heights and 4" for odd sized overall back heights.
2. The sizes represent a cushion to pan gap of 6" for odd sized overall back heights and 7" for even sized overall back heights



Sport Back 4 Cushions, 14"-18"W



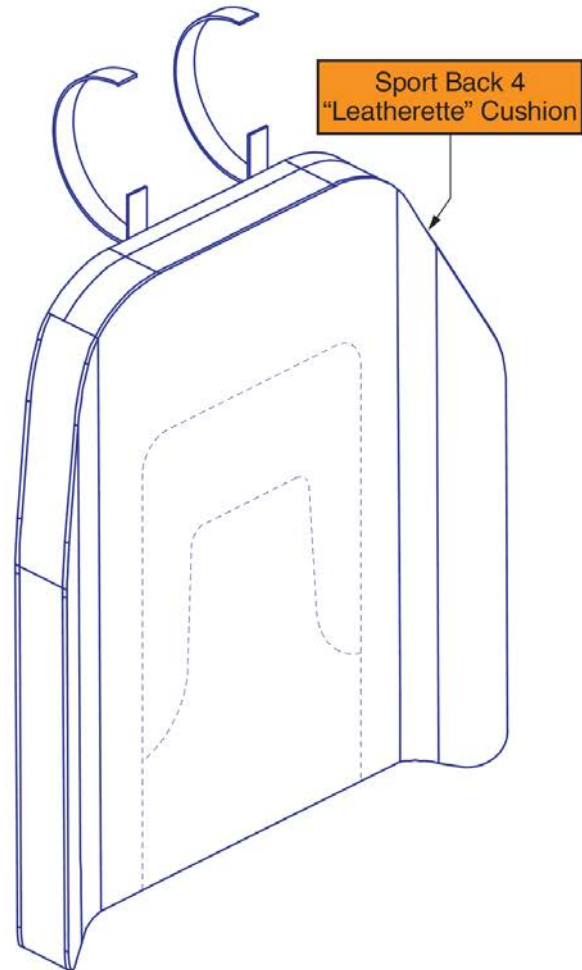
Item	Part No.	Name	Qty
A1	QU-SB4-1413	QUANTUM,CUSHION,ASSY,BACK,14"W,13"H, SPORT BACK 4, LEATHERETTE	1
B1	QU-SB4-1415	QUANTUM,CUSHION,ASSY,BACK,14"W,15"H, SPORT BACK 4, LEATHERETTE	1
C1	QU-SB4-1417	QUANTUM,CUSHION,ASSY,BACK,14"W,17"H, SPORT BACK 4, LEATHERETTE	1
D1	QU-SB4-1419	QUANTUM,CUSHION,ASSY,BACK,14"W,19"H, SPORT BACK 4, LEATHERETTE	1
E1	QU-SB4-1421	QUANTUM,CUSHION,ASSY,BACK,14"W,21"H, SPORT BACK 4, LEATHERETTE	1
F1	QU-SB4-1423	QUANTUM,CUSHION,ASSY,BACK,14"W,23"H, SPORT BACK 4, LEATHERETTE	1
G1	QU-SB4-1425	QUANTUM,CUSHION,ASSY,BACK,14"W,25"H, SPORT BACK 4, LEATHERETTE	1
H1	QU-SB4-1513	QUANTUM,CUSHION,ASSY,BACK,15"W,13"H, SPORT BACK 4, LEATHERETTE	1
I1	QU-SB4-1515	QUANTUM,CUSHION,ASSY,BACK,15"W,15"H, SPORT BACK 4, LEATHERETTE	1
J1	QU-SB4-1517	QUANTUM,CUSHION,ASSY,BACK,15"W,17"H, SPORT BACK 4, LEATHERETTE	1
K1	QU-SB4-1519	QUANTUM,CUSHION,ASSY,BACK,15"W,19"H, SPORT BACK 4, LEATHERETTE	1
L1	QU-SB4-1521	QUANTUM,CUSHION,ASSY,BACK,15"W,21"H, SPORT BACK 4, LEATHERETTE	1
M1	QU-SB4-1523	QUANTUM,CUSHION,ASSY,BACK,15"W,23"H, SPORT BACK 4, LEATHERETTE	1
N1	QU-SB4-1525	QUANTUM,CUSHION,ASSY,BACK,15"W,25"H, SPORT BACK 4, LEATHERETTE	1
O1	QU-SB4-1613	QUANTUM,CUSHION,ASSY,BACK,16"W,13"H, SPORT BACK 4, LEATHERETTE	1
P1	QU-SB4-1615	QUANTUM,CUSHION,ASSY,BACK,16"W,15"H, SPORT BACK 4, LEATHERETTE	1
Q1	QU-SB4-1617	QUANTUM,CUSHION,ASSY,BACK,16"W,17"H, SPORT BACK 4, LEATHERETTE	1
R1	QU-SB4-1619	QUANTUM,CUSHION,ASSY,BACK,16"W,19"H, SPORT BACK 4, LEATHERETTE	1
S1	QU-SB4-1621	QUANTUM,CUSHION,ASSY,BACK,16"W,21"H, SPORT BACK 4, LEATHERETTE	1
T1	QU-SB4-1623	QUANTUM,CUSHION,ASSY,BACK,16"W,23"H, SPORT BACK 4, LEATHERETTE	1
U1	QU-SB4-1625	QUANTUM,CUSHION,ASSY,BACK,16"W,25"H, SPORT BACK 4, LEATHERETTE	1
V1	QU-SB4-1713	QUANTUM,CUSHION,ASSY,BACK,17"W,13"H, SPORT BACK 4, LEATHERETTE	1
W1	QU-SB4-1715	QUANTUM,CUSHION,ASSY,BACK,17"W,15"H, SPORT BACK 4, LEATHERETTE	1
X1	QU-SB4-1717	QUANTUM,CUSHION,ASSY,BACK,17"W,17"H, SPORT BACK 4, LEATHERETTE	1
Y1	QU-SB4-1719	QUANTUM,CUSHION,ASSY,BACK,17"W,19"H, SPORT BACK 4, LEATHERETTE	1
Z1	QU-SB4-1721	QUANTUM,CUSHION,ASSY,BACK,17"W,21"H, SPORT BACK 4, LEATHERETTE	1
AA1	QU-SB4-1723	QUANTUM,CUSHION,ASSY,BACK,17"W,23"H, SPORT BACK 4, LEATHERETTE	1
BB1	QU-SB4-1725	QUANTUM,CUSHION,ASSY,BACK,17"W,25"H, SPORT BACK 4, LEATHERETTE	1
CC1	QU-SB4-1813	QUANTUM,CUSHION,ASSY,BACK,18"W,13"H, SPORT BACK 4, LEATHERETTE	1
DD1	QU-SB4-1815	QUANTUM,CUSHION,ASSY,BACK,18"W,15"H, SPORT BACK 4, LEATHERETTE	1
EE1	QU-SB4-1817	QUANTUM,CUSHION,ASSY,BACK,18"W,17"H, SPORT BACK 4, LEATHERETTE	1
FF1	QU-SB4-1819	QUANTUM,CUSHION,ASSY,BACK,18"W,19"H, SPORT BACK 4, LEATHERETTE	1
GG1	QU-SB4-1821	QUANTUM,CUSHION,ASSY,BACK,18"W,21"H, SPORT BACK 4, LEATHERETTE	1
HH1	QU-SB4-1823	QUANTUM,CUSHION,ASSY,BACK,18"W,23"H, SPORT BACK 4, LEATHERETTE	1
II1	QU-SB4-1825	QUANTUM,CUSHION,ASSY,BACK,18"W,25"H, SPORT BACK 4, LEATHERETTE	1

8.3. Sport Back 4 Cushions

19" - 22" W Sport Back 4 Cushions				
Ref	Actual Back/ Cushion Size		For use on units with overall back Heights of:	
	Width	Height	Static/Tilt Backs ¹	Recline Backs ²
A1	19"	13"	16" or 17"	19" or 20"
B1	19"	15"	18" or 19"	21" or 22"
C1	19"	17"	20" or 21"	23" or 24"
D1	19"	19"	22" or 23"	25" or 26"
E1	19"	21"	24" or 25"	27" or 28"
F1	19"	23"	26" or 27"	29" or 30"
G1	19"	25"	28" or 29"	31" or 32"
H1	20"	13"	16" or 17"	19" or 20"
I1	20"	15"	18" or 19"	21" or 22"
J1	20"	17"	20" or 21"	23" or 24"
K1	20"	19"	22" or 23"	25" or 26"
L1	20"	21"	24" or 25"	27" or 28"
M1	20"	23"	26" or 27"	29" or 30"
N1	20"	25"	28" or 29"	31" or 32"
O1	21"	13"	16" or 17"	19" or 20"
P1	21"	15"	18" or 19"	21" or 22"
Q1	21"	17"	20" or 21"	23" or 24"
R1	21"	19"	22" or 23"	25" or 26"
S1	21"	21"	24" or 25"	27" or 28"
T1	21"	23"	26" or 27"	29" or 30"
U1	21"	25"	28" or 29"	31" or 32"
V1	22"	13"	16" or 17"	19" or 20"
W1	22"	15"	18" or 19"	21" or 22"
X1	22"	17"	20" or 21"	23" or 24"
Y1	22"	19"	22" or 23"	25" or 26"
Z1	22"	21"	24" or 25"	27" or 28"
AA1	22"	23"	26" or 27"	29" or 30"
BB1	22"	25"	28" or 29"	31" or 32"

These assemblies include the Complete Sport Back 4 Cushion. The outer cover is available separately.

1. The sizes represent a cushion to pan gap of 3" for even sized overall back heights and 4" for odd sized overall back heights.
2. The sizes represent a cushion to pan gap of 6" for odd sized overall back heights and 7" for even sized overall back heights



Sport Back 4 Cushions, 19"-22"W



Item	Part No.	Name	Qty
A1	QU-SB4-1913	QUANTUM,CUSHION,ASSY,BACK,19"W,13"H, SPORT BACK 4, LEATHERETTE	1
B1	QU-SB4-1915	QUANTUM,CUSHION,ASSY,BACK,19"W,15"H, SPORT BACK 4, LEATHERETTE	1
C1	QU-SB4-1917	QUANTUM,CUSHION,ASSY,BACK,19"W,17"H, SPORT BACK 4, LEATHERETTE	1
D1	QU-SB4-1919	QUANTUM,CUSHION,ASSY,BACK,19"W,19"H, SPORT BACK 4, LEATHERETTE	1
E1	QU-SB4-1921	QUANTUM,CUSHION,ASSY,BACK,19"W,21"H, SPORT BACK 4, LEATHERETTE	1
F1	QU-SB4-1923	QUANTUM,CUSHION,ASSY,BACK,19"W,23"H, SPORT BACK 4, LEATHERETTE	1
G1	QU-SB4-1925	QUANTUM,CUSHION,ASSY,BACK,19"W,25"H, SPORT BACK 4, LEATHERETTE	1
H1	QU-SB4-2013	QUANTUM,CUSHION,ASSY,BACK,20"W,13"H, SPORT BACK 4, LEATHERETTE	1
I1	QU-SB4-2015	QUANTUM,CUSHION,ASSY,BACK,20"W,15"H, SPORT BACK 4, LEATHERETTE	1
J1	QU-SB4-2017	QUANTUM,CUSHION,ASSY,BACK,20"W,17"H, SPORT BACK 4, LEATHERETTE	1
K1	QU-SB4-2019	QUANTUM,CUSHION,ASSY,BACK,20"W,19"H, SPORT BACK 4, LEATHERETTE	1
L1	QU-SB4-2021	QUANTUM,CUSHION,ASSY,BACK,20"W,21"H, SPORT BACK 4, LEATHERETTE	1
M1	QU-SB4-2023	QUANTUM,CUSHION,ASSY,BACK,20"W,23"H, SPORT BACK 4, LEATHERETTE	1
N1	QU-SB4-2025	QUANTUM,CUSHION,ASSY,BACK,20"W,25"H, SPORT BACK 4, LEATHERETTE	1
O1	QU-SB4-2113	QUANTUM,CUSHION,ASSY,BACK,21"W,13"H, SPORT BACK 4, LEATHERETTE	1
P1	QU-SB4-2115	QUANTUM,CUSHION,ASSY,BACK,21"W,15"H, SPORT BACK 4, LEATHERETTE	1
Q1	QU-SB4-2117	QUANTUM,CUSHION,ASSY,BACK,21"W,17"H, SPORT BACK 4, LEATHERETTE	1
R1	QU-SB4-2119	QUANTUM,CUSHION,ASSY,BACK,21"W,19"H, SPORT BACK 4, LEATHERETTE	1
S1	QU-SB4-2121	QUANTUM,CUSHION,ASSY,BACK,21"W,21"H, SPORT BACK 4, LEATHERETTE	1
T1	QU-SB4-2123	QUANTUM,CUSHION,ASSY,BACK,21"W,23"H, SPORT BACK 4, LEATHERETTE	1
U1	QU-SB4-2125	QUANTUM,CUSHION,ASSY,BACK,21"W,25"H, SPORT BACK 4, LEATHERETTE	1
V1	QU-SB4-2213	QUANTUM,CUSHION,ASSY,BACK,22"W,13"H, SPORT BACK 4, LEATHERETTE	1
W1	QU-SB4-2215	QUANTUM,CUSHION,ASSY,BACK,22"W,15"H, SPORT BACK 4, LEATHERETTE	1
X1	QU-SB4-2217	QUANTUM,CUSHION,ASSY,BACK,22"W,17"H, SPORT BACK 4, LEATHERETTE	1
Y1	QU-SB4-2219	QUANTUM,CUSHION,ASSY,BACK,22"W,19"H, SPORT BACK 4, LEATHERETTE	1
Z1	QU-SB4-2221	QUANTUM,CUSHION,ASSY,BACK,22"W,21"H, SPORT BACK 4, LEATHERETTE	1
AA1	QU-SB4-2223	QUANTUM,CUSHION,ASSY,BACK,22"W,23"H, SPORT BACK 4, LEATHERETTE	1
BB1	QU-SB4-2225	QUANTUM,CUSHION,ASSY,BACK,22"W,25"H, SPORT BACK 4, LEATHERETTE	1

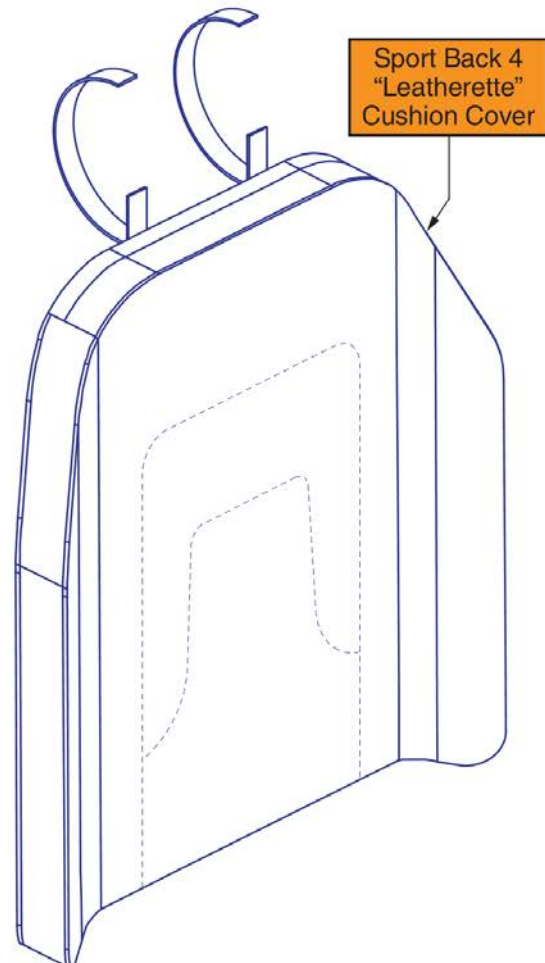
8.3. Sport Back 4 Cushions

14" - 18" W Sport Back 4 Cushion Covers				
Ref	Actual Back/ Cushion Size		For use on units with overall back Heights of:	
	Width	Height	Static/Tilt Backs ¹	Recline Backs ²
A1	14"	13"	16" or 17"	19" or 20"
B1	14"	15"	18" or 19"	21" or 22"
C1	14"	17"	20" or 21"	23" or 24"
D1	14"	19"	22" or 23"	25" or 26"
E1	14"	21"	24" or 25"	27" or 28"
F1	14"	23"	26" or 27"	29" or 30"
G1	14"	25"	28" or 29"	31" or 32"
H1	15"	13"	16" or 17"	19" or 20"
I1	15"	15"	18" or 19"	21" or 22"
J1	15"	17"	20" or 21"	23" or 24"
K1	15"	19"	22" or 23"	25" or 26"
L1	15"	21"	24" or 25"	27" or 28"
M1	15"	23"	26" or 27"	29" or 30"
N1	15"	25"	28" or 29"	31" or 32"
O1	16"	13"	16" or 17"	19" or 20"
P1	16"	15"	18" or 19"	21" or 22"
Q1	16"	17"	20" or 21"	23" or 24"
R1	16"	19"	22" or 23"	25" or 26"
S1	16"	21"	24" or 25"	27" or 28"
T1	16"	23"	26" or 27"	29" or 30"
U1	16"	25"	28" or 29"	31" or 32"
V1	17"	13"	16" or 17"	19" or 20"
W1	17"	15"	18" or 19"	21" or 22"
X1	17"	17"	20" or 21"	23" or 24"
Y1	17"	19"	22" or 23"	25" or 26"
Z1	17"	21"	24" or 25"	27" or 28"
AA1	17"	23"	26" or 27"	29" or 30"
BB1	17"	25"	28" or 29"	31" or 32"
CC1	18"	13"	16" or 17"	19" or 20"
DD1	18"	15"	18" or 19"	21" or 22"

14" - 18" W Sport Back 4 Cushion Covers				
Ref	Actual Back/ Cushion Size		For use on units with overall back Heights of:	
	Width	Height	Static/Tilt Backs ¹	Recline Backs ²
EE1	18"	17"	20" or 21"	23" or 24"
FF1	18"	19"	22" or 23"	25" or 26"
GG1	18"	21"	24" or 25"	27" or 28"
HH1	18"	23"	26" or 27"	29" or 30"
II1	18"	25"	28" or 29"	31" or 32"

These assemblies include the Complete Sport Back 4 Cushion Outer Cover. All other components are only available with the complete cushion assy.

1. The sizes represent a cushion to pan gap of 3" for even sized overall back heights and 4" for odd sized overall back heights.
2. The sizes represent a cushion to pan gap of 6" for odd sized overall back heights and 7" for even sized overall back heights



Sport Back 4 Cushion Covers, 14"-18"W



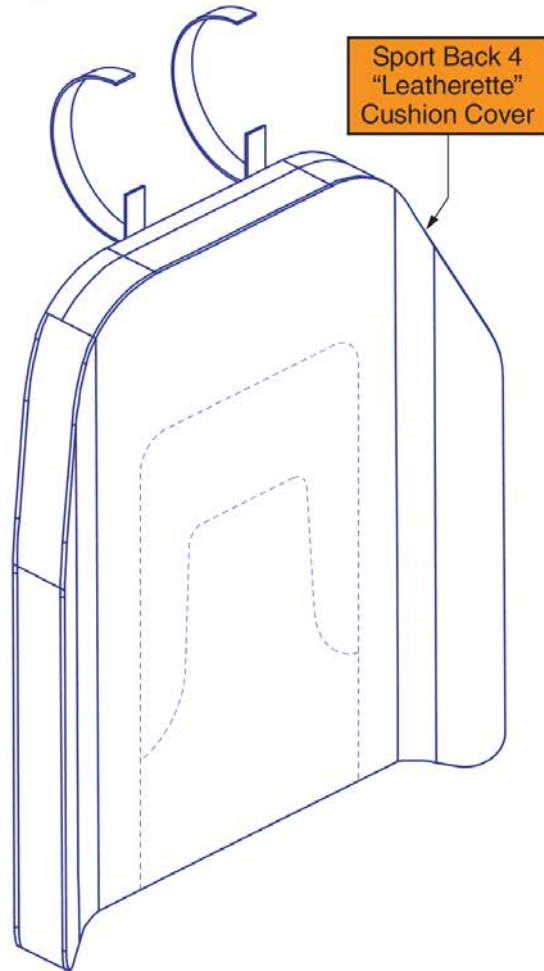
Item	Part No.	Name	Qty
A1	SB4-LBLK1413	CUSHION COVER,ASSY,SB4,LEATHERETTE,14"W, 13"D	1
B1	SB4-LBLK1415	CUSHION COVER,ASSY,SB4,LEATHERETTE,14"W, 15"D	1
C1	SB4-LBLK1417	CUSHION COVER,ASSY,SB4,LEATHERETTE,14"W, 17"D	1
D1	SB4-LBLK1419	CUSHION COVER,ASSY,SB4,LEATHERETTE,14"W, 19"D	1
E1	SB4-LBLK1421	CUSHION COVER,ASSY,SB4,LEATHERETTE,14"W, 21"D	1
F1	SB4-LBLK1423	CUSHION COVER,ASSY,SB4,LEATHERETTE,14"W, 23"D	1
G1	SB4-LBLK1425	CUSHION COVER,ASSY,SB4,LEATHERETTE,14"W, 25"D	1
H1	SB4-LBLK1513	CUSHION COVER,ASSY,SB4,LEATHERETTE,15"W, 13"D	1
I1	SB4-LBLK1515	CUSHION COVER,ASSY,SB4,LEATHERETTE,15"W, 15"D	1
J1	SB4-LBLK1517	CUSHION COVER,ASSY,SB4,LEATHERETTE,15"W, 17"D	1
K1	SB4-LBLK1519	CUSHION COVER,ASSY,SB4,LEATHERETTE,15"W, 19"D	1
L1	SB4-LBLK1521	CUSHION COVER,ASSY,SB4,LEATHERETTE,15"W, 21"D	1
M1	SB4-LBLK1523	CUSHION COVER,ASSY,SB4,LEATHERETTE,15"W, 23"D	1
N1	SB4-LBLK1525	CUSHION COVER,ASSY,SB4,LEATHERETTE,15"W, 25"D	1
O1	SB4-LBLK1613	CUSHION COVER,ASSY,SB4,LEATHERETTE,16"W, 13"D	1
P1	SB4-LBLK1615	CUSHION COVER,ASSY,SB4,LEATHERETTE,16"W, 15"D	1
Q1	SB4-LBLK1617	CUSHION COVER,ASSY,SB4,LEATHERETTE,16"W, 17"D	1
R1	SB4-LBLK1619	CUSHION COVER,ASSY,SB4,LEATHERETTE,16"W, 19"D	1
S1	SB4-LBLK1621	CUSHION COVER,ASSY,SB4,LEATHERETTE,16"W, 21"D	1
T1	SB4-LBLK1623	CUSHION COVER,ASSY,SB4,LEATHERETTE,16"W, 23"D	1
U1	SB4-LBLK1625	CUSHION COVER,ASSY,SB4,LEATHERETTE,16"W, 25"D	1
V1	SB4-LBLK1713	CUSHION COVER,ASSY,SB4,LEATHERETTE,17"W, 13"D	1
W1	SB4-LBLK1715	CUSHION COVER,ASSY,SB4,LEATHERETTE,17"W, 15"D	1
X1	SB4-LBLK1717	CUSHION COVER,ASSY,SB4,LEATHERETTE,17"W, 17"D	1
Y1	SB4-LBLK1719	CUSHION COVER,ASSY,SB4,LEATHERETTE,17"W, 19"D	1
Z1	SB4-LBLK1721	CUSHION COVER,ASSY,SB4,LEATHERETTE,17"W, 21"D	1
AA1	SB4-LBLK1723	CUSHION COVER,ASSY,SB4,LEATHERETTE,17"W, 23"D	1
BB1	SB4-LBLK1725	CUSHION COVER,ASSY,SB4,LEATHERETTE,17"W, 25"D	1
CC1	SB4-LBLK1813	CUSHION COVER,ASSY,SB4,LEATHERETTE,18"W, 13"D	1
DD1	SB4-LBLK1815	CUSHION COVER,ASSY,SB4,LEATHERETTE,18"W, 15"D	1
EE1	SB4-LBLK1817	CUSHION COVER,ASSY,SB4,LEATHERETTE,18"W, 17"D	1
FF1	SB4-LBLK1819	CUSHION COVER,ASSY,SB4,LEATHERETTE,18"W, 19"D	1
GG1	SB4-LBLK1821	CUSHION COVER,ASSY,SB4,LEATHERETTE,18"W, 21"D	1
HH1	SB4-LBLK1823	CUSHION COVER,ASSY,SB4,LEATHERETTE,18"W, 23"D	1
II1	SB4-LBLK1825	CUSHION COVER,ASSY,SB4,LEATHERETTE,18"W, 25"D	1

8.3. Sport Back 4 Cushions

19" - 22" W Sport Back 4 Cushion Covers				
Ref	Actual Back/ Cushion Size		For use on units with overall back Heights of:	
	Width	Height	Static/Tilt Backs ¹	Recline Backs ²
A1	19"	13"	16" or 17"	19" or 20"
B1	19"	15"	18" or 19"	21" or 22"
C1	19"	17"	20" or 21"	23" or 24"
D1	19"	19"	22" or 23"	25" or 26"
E1	19"	21"	24" or 25"	27" or 28"
F1	19"	23"	26" or 27"	29" or 30"
G1	19"	25"	28" or 29"	31" or 32"
H1	20"	13"	16" or 17"	19" or 20"
I1	20"	15"	18" or 19"	21" or 22"
J1	20"	17"	20" or 21"	23" or 24"
K1	20"	19"	22" or 23"	25" or 26"
L1	20"	21"	24" or 25"	27" or 28"
M1	20"	23"	26" or 27"	29" or 30"
N1	20"	25"	28" or 29"	31" or 32"
O1	21"	13"	16" or 17"	19" or 20"
P1	21"	15"	18" or 19"	21" or 22"
Q1	21"	17"	20" or 21"	23" or 24"
R1	21"	19"	22" or 23"	25" or 26"
S1	21"	21"	24" or 25"	27" or 28"
T1	21"	23"	26" or 27"	29" or 30"
U1	21"	25"	28" or 29"	31" or 32"
V1	22"	13"	16" or 17"	19" or 20"
W1	22"	15"	18" or 19"	21" or 22"
X1	22"	17"	20" or 21"	23" or 24"
Y1	22"	19"	22" or 23"	25" or 26"
Z1	22"	21"	24" or 25"	27" or 28"
AA1	22"	23"	26" or 27"	29" or 30"
BB1	22"	25"	28" or 29"	31" or 32"

These assemblies include the Complete Sport Back 4 Cushion Outer Cover. All other components are only available with the complete cushion assy.

1. The sizes represent a cushion to pan gap of 3" for even sized overall back heights and 4" for odd sized overall back heights.
2. The sizes represent a cushion to pan gap of 6" for odd sized overall back heights and 7" for even sized overall back heights



Sport Back 4 Cushion Covers, 19"-22"W



Item	Part No.	Name	Qty
A1	SB4-LBLK1913	CUSHION COVER,ASSY,SB4,LEATHERETTE,19"W, 13"D	1
B1	SB4-LBLK1915	CUSHION COVER,ASSY,SB4,LEATHERETTE,19"W, 15"D	1
C1	SB4-LBLK1917	CUSHION COVER,ASSY,SB4,LEATHERETTE,19"W, 17"D	1
D1	SB4-LBLK1919	CUSHION COVER,ASSY,SB4,LEATHERETTE,19"W, 19"D	1
E1	SB4-LBLK1921	CUSHION COVER,ASSY,SB4,LEATHERETTE,19"W, 21"D	1
F1	SB4-LBLK1923	CUSHION COVER,ASSY,SB4,LEATHERETTE,19"W, 23"D	1
G1	SB4-LBLK1925	CUSHION COVER,ASSY,SB4,LEATHERETTE,19"W, 25"D	1
H1	SB4-LBLK2013	CUSHION COVER,ASSY,SB4,LEATHERETTE,20"W, 13"D	1
I1	SB4-LBLK2015	CUSHION COVER,ASSY,SB4,LEATHERETTE,20"W, 15"D	1
J1	SB4-LBLK2017	CUSHION COVER,ASSY,SB4,LEATHERETTE,20"W, 17"D	1
K1	SB4-LBLK2019	CUSHION COVER,ASSY,SB4,LEATHERETTE,20"W, 19"D	1
L1	SB4-LBLK2021	CUSHION COVER,ASSY,SB4,LEATHERETTE,20"W, 21"D	1
M1	SB4-LBLK2023	CUSHION COVER,ASSY,SB4,LEATHERETTE,20"W, 23"D	1
N1	SB4-LBLK2025	CUSHION COVER,ASSY,SB4,LEATHERETTE,20"W, 25"D	1
O1	SB4-LBLK2113	CUSHION COVER,ASSY,SB4,LEATHERETTE,21"W, 13"D	1
P1	SB4-LBLK2115	CUSHION COVER,ASSY,SB4,LEATHERETTE,21"W, 15"D	1
Q1	SB4-LBLK2117	CUSHION COVER,ASSY,SB4,LEATHERETTE,21"W, 17"D	1
R1	SB4-LBLK2119	CUSHION COVER,ASSY,SB4,LEATHERETTE,21"W, 19"D	1
S1	SB4-LBLK2121	CUSHION COVER,ASSY,SB4,LEATHERETTE,21"W, 21"D	1
T1	SB4-LBLK2123	CUSHION COVER,ASSY,SB4,LEATHERETTE,21"W, 23"D	1
U1	SB4-LBLK2125	CUSHION COVER,ASSY,SB4,LEATHERETTE,21"W, 25"D	1
V1	SB4-LBLK2213	CUSHION COVER,ASSY,SB4,LEATHERETTE,22"W, 13"D	1
W1	SB4-LBLK2215	CUSHION COVER,ASSY,SB4,LEATHERETTE,22"W, 15"D	1
X1	SB4-LBLK2217	CUSHION COVER,ASSY,SB4,LEATHERETTE,22"W, 17"D	1
Y1	SB4-LBLK2219	CUSHION COVER,ASSY,SB4,LEATHERETTE,22"W, 19"D	1
Z1	SB4-LBLK2221	CUSHION COVER,ASSY,SB4,LEATHERETTE,22"W, 21"D	1
AA1	SB4-LBLK2223	CUSHION COVER,ASSY,SB4,LEATHERETTE,22"W, 23"D	1
BB1	SB4-LBLK2225	CUSHION COVER,ASSY,SB4,LEATHERETTE,22"W, 25"D	1

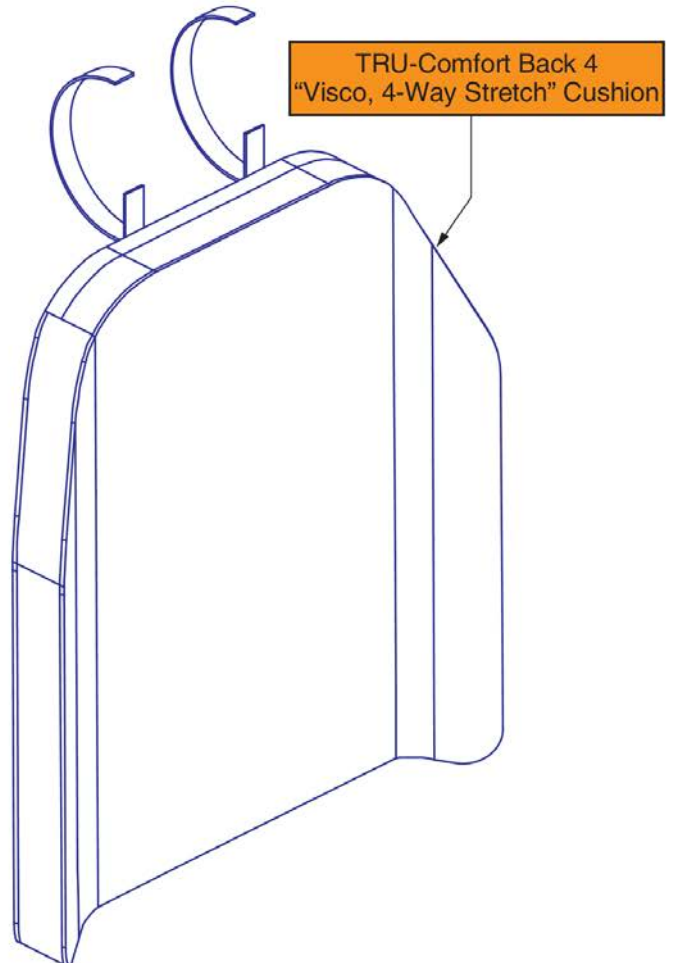
8.4. TRU-Comfort 4 Back Cushions

14" - 18" W TRU-Comfort Back 4 Cushions				
Ref	Actual Back/ Cushion Size		For use on units with overall back Heights of:	
	Width	Height	Static/Tilt Backs ¹	Recline Backs ²
A1	14"	13"	16" or 17"	19" or 20"
B1	14"	15"	18" or 19"	21" or 22"
C1	14"	17"	20" or 21"	23" or 24"
D1	14"	19"	22" or 23"	25" or 26"
E1	14"	21"	24" or 25"	27" or 28"
F1	14"	23"	26" or 27"	29" or 30"
G1	14"	25"	28" or 29"	31" or 32"
H1	15"	13"	16" or 17"	19" or 20"
I1	15"	15"	18" or 19"	21" or 22"
J1	15"	17"	20" or 21"	23" or 24"
K1	15"	19"	22" or 23"	25" or 26"
L1	15"	21"	24" or 25"	27" or 28"
M1	15"	23"	26" or 27"	29" or 30"
N1	15"	25"	28" or 29"	31" or 32"
O1	16"	13"	16" or 17"	19" or 20"
P1	16"	15"	18" or 19"	21" or 22"
Q1	16"	17"	20" or 21"	23" or 24"
R1	16"	19"	22" or 23"	25" or 26"
S1	16"	21"	24" or 25"	27" or 28"
T1	16"	23"	26" or 27"	29" or 30"
U1	16"	25"	28" or 29"	31" or 32"
V1	17"	13"	16" or 17"	19" or 20"
W1	17"	15"	18" or 19"	21" or 22"
X1	17"	17"	20" or 21"	23" or 24"
Y1	17"	19"	22" or 23"	25" or 26"
Z1	17"	21"	24" or 25"	27" or 28"
AA1	17"	23"	26" or 27"	29" or 30"
BB1	17"	25"	28" or 29"	31" or 32"
CC1	18"	13"	16" or 17"	19" or 20"
DD1	18"	15"	18" or 19"	21" or 22"

14" - 18" W TRU-Comfort Back 4 Cushions				
Ref	Actual Back/ Cushion Size		For use on units with overall back Heights of:	
	Width	Height	Static/Tilt Backs ¹	Recline Backs ²
EE1	18"	17"	20" or 21"	23" or 24"
FF1	18"	19"	22" or 23"	25" or 26"
GG1	18"	21"	24" or 25"	27" or 28"
HH1	18"	23"	26" or 27"	29" or 30"
II1	18"	25"	28" or 29"	31" or 32"

These assemblies include the Complete TRU-Comfort Back 4 Cushion. The outer cover is available separately.

1. The sizes represent a cushion to pan gap of 3" for even sized overall back heights and 4" for odd sized overall back heights.
2. The sizes represent a cushion to pan gap of 6" for odd sized overall back heights and 7" for even sized overall back heights



TRU-Comfort 4 Back Cushions, 14"-18"W



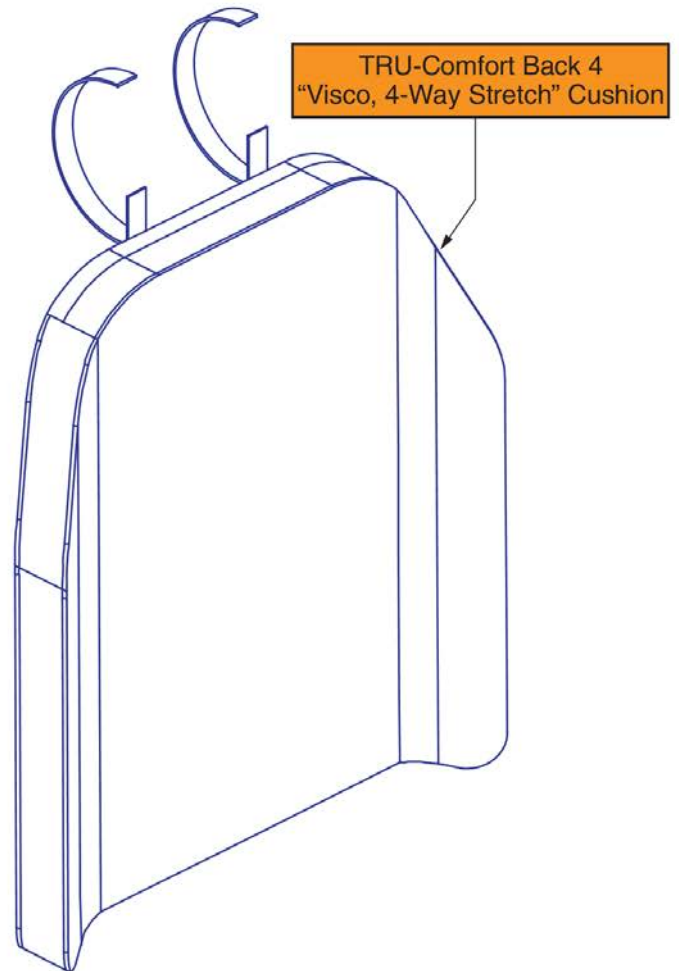
Item	Part No.	Name	Qty
A1	QU-TC4V-1413	QUANTUM,CUSHION,ASSY,BACK,VISCO,14"W,13"H, TRU-COMFORT 4, 4 WAY STRETCH	1
B1	QU-TC4V-1415	QUANTUM,CUSHION,ASSY,BACK,VISCO,14"W,15"H, TRU-COMFORT 4, 4 WAY STRETCH	1
C1	QU-TC4V-1417	QUANTUM,CUSHION,ASSY,BACK,VISCO,14"W,17"H, TRU-COMFORT 4, 4 WAY STRETCH	1
D1	QU-TC4V-1419	QUANTUM,CUSHION,ASSY,BACK,VISCO,14"W,19"H, TRU-COMFORT 4, 4 WAY STRETCH	1
E1	QU-TC4V-1421	QUANTUM,CUSHION,ASSY,BACK,VISCO,14"W,21"H, TRU-COMFORT 4, 4 WAY STRETCH	1
F1	QU-TC4V-1423	QUANTUM,CUSHION,ASSY,BACK,VISCO,14"W,23"H, TRU-COMFORT 4, 4 WAY STRETCH	1
G1	QU-TC4V-1425	QUANTUM,CUSHION,ASSY,BACK,VISCO,14"W,25"H, TRU-COMFORT 4, 4 WAY STRETCH	1
H1	QU-TC4V-1513	QUANTUM,CUSHION,ASSY,BACK,VISCO,15"W,13"H, TRU-COMFORT 4, 4 WAY STRETCH	1
I1	QU-TC4V-1515	QUANTUM,CUSHION,ASSY,BACK,VISCO,15"W,15"H, TRU-COMFORT 4, 4 WAY STRETCH	1
J1	QU-TC4V-1517	QUANTUM,CUSHION,ASSY,BACK,VISCO,15"W,17"H, TRU-COMFORT 4, 4 WAY STRETCH	1
K1	QU-TC4V-1519	QUANTUM,CUSHION,ASSY,BACK,VISCO,15"W,19"H, TRU-COMFORT 4, 4 WAY STRETCH	1
L1	QU-TC4V-1521	QUANTUM,CUSHION,ASSY,BACK,VISCO,15"W,21"H, TRU-COMFORT 4, 4 WAY STRETCH	1
M1	QU-TC4V-1523	QUANTUM,CUSHION,ASSY,BACK,VISCO,15"W,23"H, TRU-COMFORT 4, 4 WAY STRETCH	1
N1	QU-TC4V-1525	QUANTUM,CUSHION,ASSY,BACK,VISCO,15"W,25"H, TRU-COMFORT 4, 4 WAY STRETCH	1
O1	QU-TC4V-1613	QUANTUM,CUSHION,ASSY,BACK,VISCO,16"W,13"H, TRU-COMFORT 4, 4 WAY STRETCH	1
P1	QU-TC4V-1615	QUANTUM,CUSHION,ASSY,BACK,VISCO,16"W,15"H, TRU-COMFORT 4, 4 WAY STRETCH	1
Q1	QU-TC4V-1617	QUANTUM,CUSHION,ASSY,BACK,VISCO,16"W,17"H, TRU-COMFORT 4, 4 WAY STRETCH	1
R1	QU-TC4V-1619	QUANTUM,CUSHION,ASSY,BACK,VISCO,16"W,19"H, TRU-COMFORT 4, 4 WAY STRETCH	1
S1	QU-TC4V-1621	QUANTUM,CUSHION,ASSY,BACK,VISCO,16"W,21"H, TRU-COMFORT 4, 4 WAY STRETCH	1
T1	QU-TC4V-1623	QUANTUM,CUSHION,ASSY,BACK,VISCO,16"W,23"H, TRU-COMFORT 4, 4 WAY STRETCH	1
U1	QU-TC4V-1625	QUANTUM,CUSHION,ASSY,BACK,VISCO,16"W,25"H, TRU-COMFORT 4, 4 WAY STRETCH	1
V1	QU-TC4V-1713	QUANTUM,CUSHION,ASSY,BACK,VISCO,17"W,13"H, TRU-COMFORT 4, 4 WAY STRETCH	1
W1	QU-TC4V-1715	QUANTUM,CUSHION,ASSY,BACK,VISCO,17"W,15"H, TRU-COMFORT 4, 4 WAY STRETCH	1
X1	QU-TC4V-1717	QUANTUM,CUSHION,ASSY,BACK,VISCO,17"W,17"H, TRU-COMFORT 4, 4 WAY STRETCH	1
Y1	QU-TC4V-1719	QUANTUM,CUSHION,ASSY,BACK,VISCO,17"W,19"H, TRU-COMFORT 4, 4 WAY STRETCH	1
Z1	QU-TC4V-1721	QUANTUM,CUSHION,ASSY,BACK,VISCO,17"W,21"H, TRU-COMFORT 4, 4 WAY STRETCH	1
AA1	QU-TC4V-1723	QUANTUM,CUSHION,ASSY,BACK,VISCO,17"W,23"H, TRU-COMFORT 4, 4 WAY STRETCH	1
BB1	QU-TC4V-1725	QUANTUM,CUSHION,ASSY,BACK,VISCO,17"W,25"H, TRU-COMFORT 4, 4 WAY STRETCH	1
CC1	QU-TC4V-1813	QUANTUM,CUSHION,ASSY,BACK,VISCO,18"W,13"H, TRU-COMFORT 4, 4 WAY STRETCH	1
DD1	QU-TC4V-1815	QUANTUM,CUSHION,ASSY,BACK,VISCO,18"W,15"H, TRU-COMFORT 4, 4 WAY STRETCH	1
EE1	QU-TC4V-1817	QUANTUM,CUSHION,ASSY,BACK,VISCO,18"W,17"H, TRU-COMFORT 4, 4 WAY STRETCH	1
FF1	QU-TC4V-1819	QUANTUM,CUSHION,ASSY,BACK,VISCO,18"W,19"H, TRU-COMFORT 4, 4 WAY STRETCH	1
GG1	QU-TC4V-1821	QUANTUM,CUSHION,ASSY,BACK,VISCO,18"W,21"H, TRU-COMFORT 4, 4 WAY STRETCH	1
HH1	QU-TC4V-1823	QUANTUM,CUSHION,ASSY,BACK,VISCO,18"W,23"H, TRU-COMFORT 4, 4 WAY STRETCH	1
II1	QU-TC4V-1825	QUANTUM,CUSHION,ASSY,BACK,VISCO,18"W,25"H, TRU-COMFORT 4, 4 WAY STRETCH	1

8.4. TRU-Comfort 4 Back Cushions

19" - 22" W TRU-Comfort Back 4 Cushions				
Ref	Actual Back/ Cushion Size		For use on units with overall back Heights of:	
	Width	Height	Static/Tilt Backs ¹	Recline Backs ²
A1	19"	13"	16" or 17"	19" or 20"
B1	19"	15"	18" or 19"	21" or 22"
C1	19"	17"	20" or 21"	23" or 24"
D1	19"	19"	22" or 23"	25" or 26"
E1	19"	21"	24" or 25"	27" or 28"
F1	19"	23"	26" or 27"	29" or 30"
G1	19"	25"	28" or 29"	31" or 32"
H1	20"	13"	16" or 17"	19" or 20"
I1	20"	15"	18" or 19"	21" or 22"
J1	20"	17"	20" or 21"	23" or 24"
K1	20"	19"	22" or 23"	25" or 26"
L1	20"	21"	24" or 25"	27" or 28"
M1	20"	23"	26" or 27"	29" or 30"
N1	20"	25"	28" or 29"	31" or 32"
O1	21"	13"	16" or 17"	19" or 20"
P1	21"	15"	18" or 19"	21" or 22"
Q1	21"	17"	20" or 21"	23" or 24"
R1	21"	19"	22" or 23"	25" or 26"
S1	21"	21"	24" or 25"	27" or 28"
T1	21"	23"	26" or 27"	29" or 30"
U1	21"	25"	28" or 29"	31" or 32"
V1	22"	13"	16" or 17"	19" or 20"
W1	22"	15"	18" or 19"	21" or 22"
X1	22"	17"	20" or 21"	23" or 24"
Y1	22"	19"	22" or 23"	25" or 26"
Z1	22"	21"	24" or 25"	27" or 28"
AA1	22"	23"	26" or 27"	29" or 30"
BB1	22"	25"	28" or 29"	31" or 32"

These assemblies include the Complete TRU-Comfort Back 4 Cushion. The outer cover is available separately.

1. The sizes represent a cushion to pan gap of 3" for even sized overall back heights and 4" for odd sized overall back heights.
2. The sizes represent a cushion to pan gap of 6" for odd sized overall back heights and 7" for even sized overall back heights



TRU-Comfort 4 Back Cushions, 19"-22"W



Item	Part No.	Name	Qty
A1	QU-TC4V-1913	QUANTUM,CUSHION,ASSY,BACK,VISCO,19"W,13"H, TRU-COMFORT 4, 4 WAY STRETCH	1
B1	QU-TC4V-1915	QUANTUM,CUSHION,ASSY,BACK,VISCO,19"W,15"H, TRU-COMFORT 4, 4 WAY STRETCH	1
C1	QU-TC4V-1917	QUANTUM,CUSHION,ASSY,BACK,VISCO,19"W,17"H, TRU-COMFORT 4, 4 WAY STRETCH	1
D1	QU-TC4V-1919	QUANTUM,CUSHION,ASSY,BACK,VISCO,19"W,19"H, TRU-COMFORT 4, 4 WAY STRETCH	1
E1	QU-TC4V-1921	QUANTUM,CUSHION,ASSY,BACK,VISCO,19"W,21"H, TRU-COMFORT 4, 4 WAY STRETCH	1
F1	QU-TC4V-1923	QUANTUM,CUSHION,ASSY,BACK,VISCO,19"W,23"H, TRU-COMFORT 4, 4 WAY STRETCH	1
G1	QU-TC4V-1925	QUANTUM,CUSHION,ASSY,BACK,VISCO,19"W,25"H, TRU-COMFORT 4, 4 WAY STRETCH	1
H1	QU-TC4V-2013	QUANTUM,CUSHION,ASSY,BACK,VISCO,20"W,13"H, TRU-COMFORT 4, 4 WAY STRETCH	1
I1	QU-TC4V-2015	QUANTUM,CUSHION,ASSY,BACK,VISCO,20"W,15"H, TRU-COMFORT 4, 4 WAY STRETCH	1
J1	QU-TC4V-2017	QUANTUM,CUSHION,ASSY,BACK,VISCO,20"W,17"H, TRU-COMFORT 4, 4 WAY STRETCH	1
K1	QU-TC4V-2019	QUANTUM,CUSHION,ASSY,BACK,VISCO,20"W,19"H, TRU-COMFORT 4, 4 WAY STRETCH	1
L1	QU-TC4V-2021	QUANTUM,CUSHION,ASSY,BACK,VISCO,20"W,21"H, TRU-COMFORT 4, 4 WAY STRETCH	1
M1	QU-TC4V-2023	QUANTUM,CUSHION,ASSY,BACK,VISCO,20"W,23"H, TRU-COMFORT 4, 4 WAY STRETCH	1
N1	QU-TC4V-2025	QUANTUM,CUSHION,ASSY,BACK,VISCO,20"W,25"H, TRU-COMFORT 4, 4 WAY STRETCH	1
O1	QU-TC4V-2113	QUANTUM,CUSHION,ASSY,BACK,VISCO,21"W,13"H, TRU-COMFORT 4, 4 WAY STRETCH	1
P1	QU-TC4V-2115	QUANTUM,CUSHION,ASSY,BACK,VISCO,21"W,15"H, TRU-COMFORT 4, 4 WAY STRETCH	1
Q1	QU-TC4V-2117	QUANTUM,CUSHION,ASSY,BACK,VISCO,21"W,17"H, TRU-COMFORT 4, 4 WAY STRETCH	1
R1	QU-TC4V-2119	QUANTUM,CUSHION,ASSY,BACK,VISCO,21"W,19"H, TRU-COMFORT 4, 4 WAY STRETCH	1
S1	QU-TC4V-2121	QUANTUM,CUSHION,ASSY,BACK,VISCO,21"W,21"H, TRU-COMFORT 4, 4 WAY STRETCH	1
T1	QU-TC4V-2123	QUANTUM,CUSHION,ASSY,BACK,VISCO,21"W,23"H, TRU-COMFORT 4, 4 WAY STRETCH	1
U1	QU-TC4V-2125	QUANTUM,CUSHION,ASSY,BACK,VISCO,21"W,25"H, TRU-COMFORT 4, 4 WAY STRETCH	1
V1	QU-TC4V-2213	QUANTUM,CUSHION,ASSY,BACK,VISCO,22"W,13"H, TRU-COMFORT 4, 4 WAY STRETCH	1
W1	QU-TC4V-2215	QUANTUM,CUSHION,ASSY,BACK,VISCO,22"W,15"H, TRU-COMFORT 4, 4 WAY STRETCH	1
X1	QU-TC4V-2217	QUANTUM,CUSHION,ASSY,BACK,VISCO,22"W,17"H, TRU-COMFORT 4, 4 WAY STRETCH	1
Y1	QU-TC4V-2219	QUANTUM,CUSHION,ASSY,BACK,VISCO,22"W,19"H, TRU-COMFORT 4, 4 WAY STRETCH	1
Z1	QU-TC4V-2221	QUANTUM,CUSHION,ASSY,BACK,VISCO,22"W,21"H, TRU-COMFORT 4, 4 WAY STRETCH	1
AA1	QU-TC4V-2223	QUANTUM,CUSHION,ASSY,BACK,VISCO,22"W,23"H, TRU-COMFORT 4, 4 WAY STRETCH	1
BB1	QU-TC4V-2225	QUANTUM,CUSHION,ASSY,BACK,VISCO,22"W,25"H, TRU-COMFORT 4, 4 WAY STRETCH	1

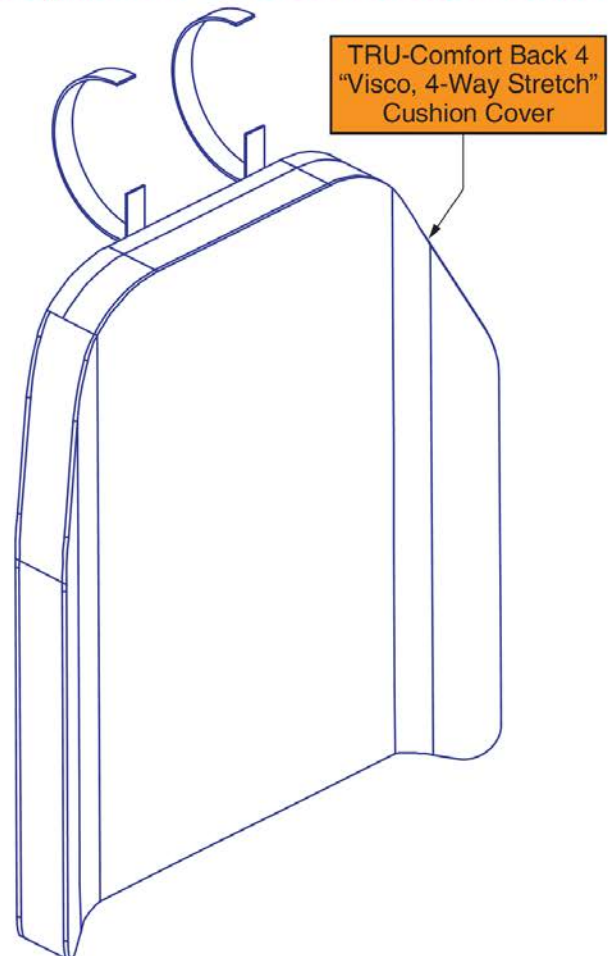
8.4. TRU-Comfort 4 Back Cushions

14" - 18" W TRU-Comfort Back 4 Cushion Covers				
Ref	Actual Back/ Cushion Size		For use on units with overall back Heights of:	
	Width	Height	Static/Tilt Backs ¹	Recline Backs ²
A1	14"	13"	16" or 17"	19" or 20"
B1	14"	15"	18" or 19"	21" or 22"
C1	14"	17"	20" or 21"	23" or 24"
D1	14"	19"	22" or 23"	25" or 26"
E1	14"	21"	24" or 25"	27" or 28"
F1	14"	23"	26" or 27"	29" or 30"
G1	14"	25"	28" or 29"	31" or 32"
H1	15"	13"	16" or 17"	19" or 20"
I1	15"	15"	18" or 19"	21" or 22"
J1	15"	17"	20" or 21"	23" or 24"
K1	15"	19"	22" or 23"	25" or 26"
L1	15"	21"	24" or 25"	27" or 28"
M1	15"	23"	26" or 27"	29" or 30"
N1	15"	25"	28" or 29"	31" or 32"
O1	16"	13"	16" or 17"	19" or 20"
P1	16"	15"	18" or 19"	21" or 22"
Q1	16"	17"	20" or 21"	23" or 24"
R1	16"	19"	22" or 23"	25" or 26"
S1	16"	21"	24" or 25"	27" or 28"
T1	16"	23"	26" or 27"	29" or 30"
U1	16"	25"	28" or 29"	31" or 32"
V1	17"	13"	16" or 17"	19" or 20"
W1	17"	15"	18" or 19"	21" or 22"
X1	17"	17"	20" or 21"	23" or 24"
Y1	17"	19"	22" or 23"	25" or 26"
Z1	17"	21"	24" or 25"	27" or 28"
AA1	17"	23"	26" or 27"	29" or 30"
BB1	17"	25"	28" or 29"	31" or 32"
CC1	18"	13"	16" or 17"	19" or 20"
DD1	18"	15"	18" or 19"	21" or 22"

14" - 18" W TRU-Comfort Back 4 Cushion Covers				
Ref	Actual Back/ Cushion Size		For use on units with overall back Heights of:	
	Width	Height	Static/Tilt Backs ¹	Recline Backs ²
EE1	18"	17"	20" or 21"	23" or 24"
FF1	18"	19"	22" or 23"	25" or 26"
GG1	18"	21"	24" or 25"	27" or 28"
HH1	18"	23"	26" or 27"	29" or 30"
II1	18"	25"	28" or 29"	31" or 32"

These assemblies include the Complete TRU-Comfort Back 4 Cushion Outer Cover. All other components are only available with the complete cushion assy.

1. The sizes represent a cushion to pan gap of 3" for even sized overall back heights and 4" for odd sized overall back heights.
2. The sizes represent a cushion to pan gap of 6" for odd sized overall back heights and 7" for even sized overall back heights



TRU-Comfort 4 Back Cushion Covers, 14"-18"W



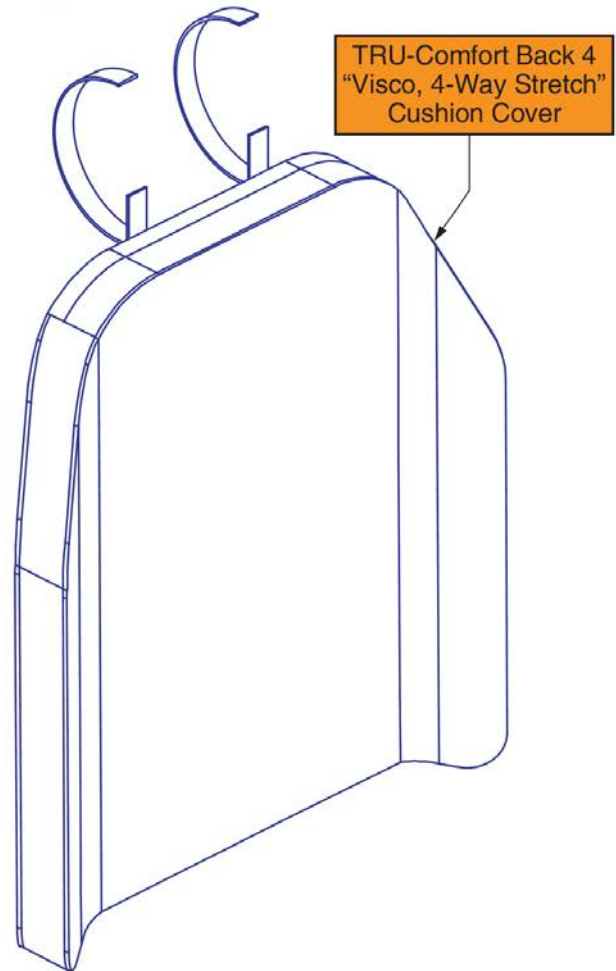
Item	Part No.	Name	Qty
A1	TC4-NBLK1413	CUSHION COVER,ASSY,TC4,4 WAY STRETCH,14"W, 13"D	1
B1	TC4-NBLK1415	CUSHION COVER,ASSY,TC4,4 WAY STRETCH,14"W, 15"D	1
C1	TC4-NBLK1417	CUSHION COVER,ASSY,TC4,4 WAY STRETCH,14"W, 17"D	1
D1	TC4-NBLK1419	CUSHION COVER,ASSY,TC4,4 WAY STRETCH,14"W, 19"D	1
E1	TC4-NBLK1421	CUSHION COVER,ASSY,TC4,4 WAY STRETCH,14"W, 21"D	1
F1	TC4-NBLK1423	CUSHION COVER,ASSY,TC4,4 WAY STRETCH,14"W, 23"D	1
G1	TC4-NBLK1425	CUSHION COVER,ASSY,TC4,4 WAY STRETCH,14"W, 25"D	1
H1	TC4-NBLK1513	CUSHION COVER,ASSY,TC4,4 WAY STRETCH,15"W, 13"D	1
I1	TC4-NBLK1515	CUSHION COVER,ASSY,TC4,4 WAY STRETCH,15"W, 15"D	1
J1	TC4-NBLK1517	CUSHION COVER,ASSY,TC4,4 WAY STRETCH,15"W, 17"D	1
K1	TC4-NBLK1519	CUSHION COVER,ASSY,TC4,4 WAY STRETCH,15"W, 19"D	1
L1	TC4-NBLK1521	CUSHION COVER,ASSY,TC4,4 WAY STRETCH,15"W, 21"D	1
M1	TC4-NBLK1523	CUSHION COVER,ASSY,TC4,4 WAY STRETCH,15"W, 23"D	1
N1	TC4-NBLK1525	CUSHION COVER,ASSY,TC4,4 WAY STRETCH,15"W, 25"D	1
O1	TC4-NBLK1613	CUSHION COVER,ASSY,TC4,4 WAY STRETCH,16"W, 13"D	1
P1	TC4-NBLK1615	CUSHION COVER,ASSY,TC4,4 WAY STRETCH,16"W, 15"D	1
Q1	TC4-NBLK1617	CUSHION COVER,ASSY,TC4,4 WAY STRETCH,16"W, 17"D	1
R1	TC4-NBLK1619	CUSHION COVER,ASSY,TC4,4 WAY STRETCH,16"W, 19"D	1
S1	TC4-NBLK1621	CUSHION COVER,ASSY,TC4,4 WAY STRETCH,16"W, 21"D	1
T1	TC4-NBLK1623	CUSHION COVER,ASSY,TC4,4 WAY STRETCH,16"W, 23"D	1
U1	TC4-NBLK1625	CUSHION COVER,ASSY,TC4,4 WAY STRETCH,16"W, 25"D	1
V1	TC4-NBLK1713	CUSHION COVER,ASSY,TC4,4 WAY STRETCH,17"W, 13"D	1
W1	TC4-NBLK1715	CUSHION COVER,ASSY,TC4,4 WAY STRETCH,17"W, 15"D	1
X1	TC4-NBLK1717	CUSHION COVER,ASSY,TC4,4 WAY STRETCH,17"W, 17"D	1
Y1	TC4-NBLK1719	CUSHION COVER,ASSY,TC4,4 WAY STRETCH,17"W, 19"D	1
Z1	TC4-NBLK1721	CUSHION COVER,ASSY,TC4,4 WAY STRETCH,17"W, 21"D	1
AA1	TC4-NBLK1723	CUSHION COVER,ASSY,TC4,4 WAY STRETCH,17"W, 23"D	1
BB1	TC4-NBLK1725	CUSHION COVER,ASSY,TC4,4 WAY STRETCH,17"W, 25"D	1
CC1	TC4-NBLK1813	CUSHION COVER,ASSY,TC4,4 WAY STRETCH,18"W, 13"D	1
DD1	TC4-NBLK1815	CUSHION COVER,ASSY,TC4,4 WAY STRETCH,18"W, 15"D	1
EE1	TC4-NBLK1817	CUSHION COVER,ASSY,TC4,4 WAY STRETCH,18"W, 17"D	1
FF1	TC4-NBLK1819	CUSHION COVER,ASSY,TC4,4 WAY STRETCH,18"W, 19"D	1
GG1	TC4-NBLK1821	CUSHION COVER,ASSY,TC4,4 WAY STRETCH,18"W, 21"D	1
HH1	TC4-NBLK1823	CUSHION COVER,ASSY,TC4,4 WAY STRETCH,18"W, 23"D	1
II1	TC4-NBLK1825	CUSHION COVER,ASSY,TC4,4 WAY STRETCH,18"W, 25"D	1

8.4. TRU-Comfort 4 Back Cushions

19" - 22" W TRU-Comfort Back 4 Cushion Covers				
Ref	Actual Back/Cushion Size		For use on units with overall back Heights of:	
	Width	Height	Static/Tilt Backs ¹	Recline Backs ²
A1	19"	13"	16" or 17"	19" or 20"
B1	19"	15"	18" or 19"	21" or 22"
C1	19"	17"	20" or 21"	23" or 24"
D1	19"	19"	22" or 23"	25" or 26"
E1	19"	21"	24" or 25"	27" or 28"
F1	19"	23"	26" or 27"	29" or 30"
G1	19"	25"	28" or 29"	31" or 32"
H1	20"	13"	16" or 17"	19" or 20"
I1	20"	15"	18" or 19"	21" or 22"
J1	20"	17"	20" or 21"	23" or 24"
K1	20"	19"	22" or 23"	25" or 26"
L1	20"	21"	24" or 25"	27" or 28"
M1	20"	23"	26" or 27"	29" or 30"
N1	20"	25"	28" or 29"	31" or 32"
O1	21"	13"	16" or 17"	19" or 20"
P1	21"	15"	18" or 19"	21" or 22"
Q1	21"	17"	20" or 21"	23" or 24"
R1	21"	19"	22" or 23"	25" or 26"
S1	21"	21"	24" or 25"	27" or 28"
T1	21"	23"	26" or 27"	29" or 30"
U1	21"	25"	28" or 29"	31" or 32"
V1	22"	13"	16" or 17"	19" or 20"
W1	22"	15"	18" or 19"	21" or 22"
X1	22"	17"	20" or 21"	23" or 24"
Y1	22"	19"	22" or 23"	25" or 26"
Z1	22"	21"	24" or 25"	27" or 28"
AA1	22"	23"	26" or 27"	29" or 30"
BB1	22"	25"	28" or 29"	31" or 32"

These assemblies include the Complete TRU-Comfort Back 4 Cushion Outer Cover. All other components are only available with the complete cushion assy.

1. The sizes represent a cushion to pan gap of 3" for even sized overall back heights and 4" for odd sized overall back heights.
2. The sizes represent a cushion to pan gap of 6" for odd sized overall back heights and 7" for even sized overall back heights



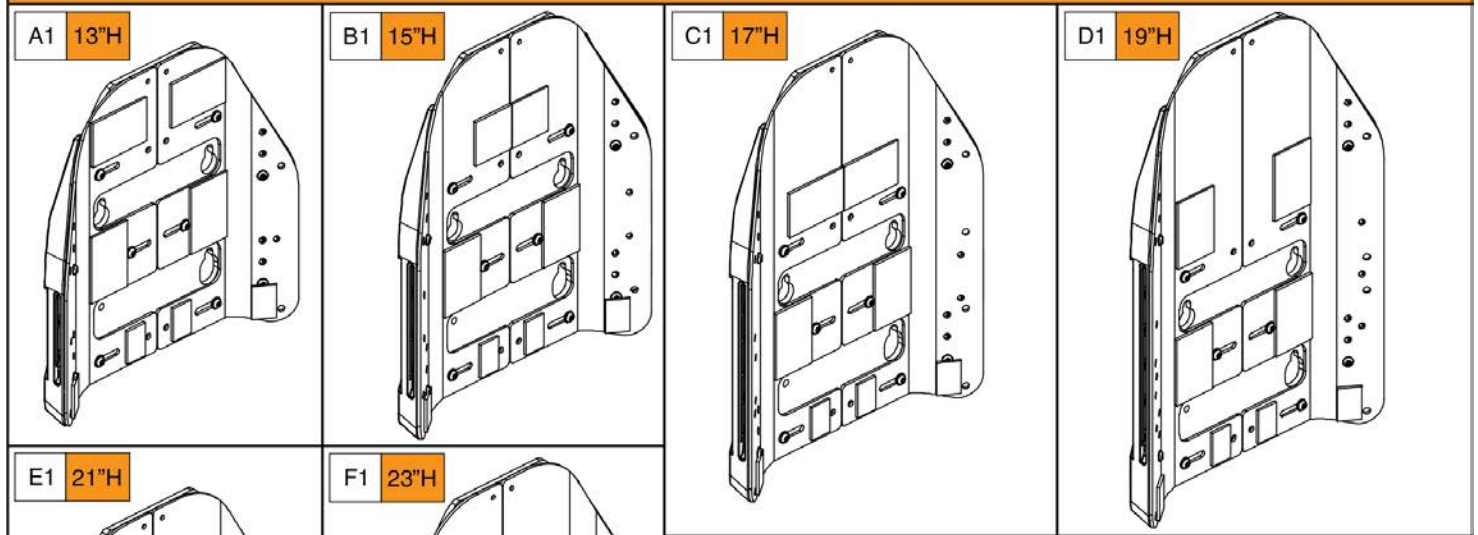
TRU-Comfort 4 Back Cushion Covers, 19"-22"W



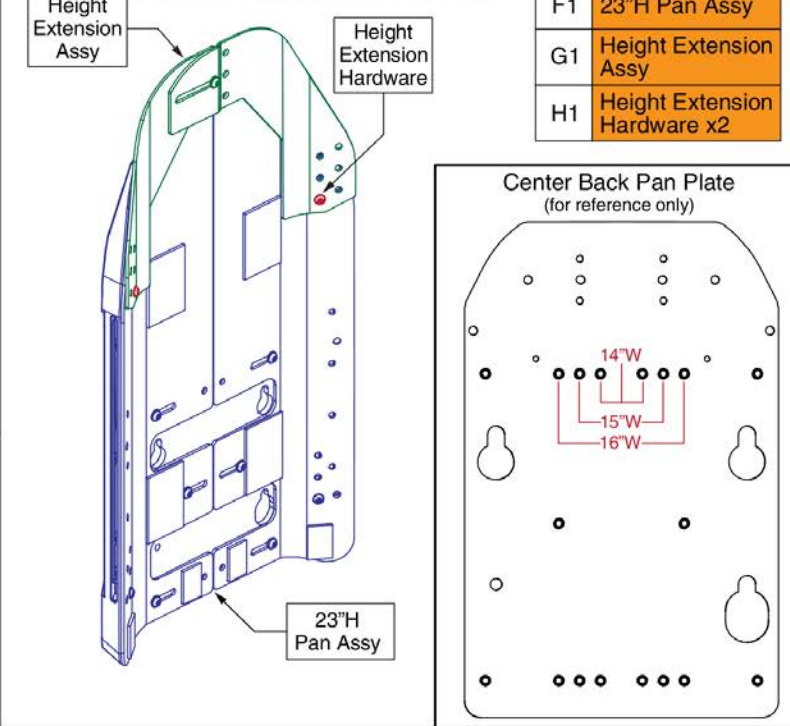
Item	Part No.	Name	Qty
A1	TC4-NBLK1913	CUSHION COVER,ASSY,TC4,4 WAY STRETCH,19"W, 13"D	1
B1	TC4-NBLK1915	CUSHION COVER,ASSY,TC4,4 WAY STRETCH,19"W, 15"D	1
C1	TC4-NBLK1917	CUSHION COVER,ASSY,TC4,4 WAY STRETCH,19"W, 17"D	1
D1	TC4-NBLK1919	CUSHION COVER,ASSY,TC4,4 WAY STRETCH,19"W, 19"D	1
E1	TC4-NBLK1921	CUSHION COVER,ASSY,TC4,4 WAY STRETCH,19"W, 21"D	1
F1	TC4-NBLK1923	CUSHION COVER,ASSY,TC4,4 WAY STRETCH,19"W, 23"D	1
G1	TC4-NBLK1925	CUSHION COVER,ASSY,TC4,4 WAY STRETCH,19"W, 25"D	1
H1	TC4-NBLK2013	CUSHION COVER,ASSY,TC4,4 WAY STRETCH,20"W, 13"D	1
I1	TC4-NBLK2015	CUSHION COVER,ASSY,TC4,4 WAY STRETCH,20"W, 15"D	1
J1	TC4-NBLK2017	CUSHION COVER,ASSY,TC4,4 WAY STRETCH,20"W, 17"D	1
K1	TC4-NBLK2019	CUSHION COVER,ASSY,TC4,4 WAY STRETCH,20"W, 19"D	1
L1	TC4-NBLK2021	CUSHION COVER,ASSY,TC4,4 WAY STRETCH,20"W, 21"D	1
M1	TC4-NBLK2023	CUSHION COVER,ASSY,TC4,4 WAY STRETCH,20"W, 23"D	1
N1	TC4-NBLK2025	CUSHION COVER,ASSY,TC4,4 WAY STRETCH,20"W, 25"D	1
O1	TC4-NBLK2113	CUSHION COVER,ASSY,TC4,4 WAY STRETCH,21"W, 13"D	1
P1	TC4-NBLK2115	CUSHION COVER,ASSY,TC4,4 WAY STRETCH,21"W, 15"D	1
Q1	TC4-NBLK2117	CUSHION COVER,ASSY,TC4,4 WAY STRETCH,21"W, 17"D	1
R1	TC4-NBLK2119	CUSHION COVER,ASSY,TC4,4 WAY STRETCH,21"W, 19"D	1
S1	TC4-NBLK2121	CUSHION COVER,ASSY,TC4,4 WAY STRETCH,21"W, 21"D	1
T1	TC4-NBLK2123	CUSHION COVER,ASSY,TC4,4 WAY STRETCH,21"W, 23"D	1
U1	TC4-NBLK2125	CUSHION COVER,ASSY,TC4,4 WAY STRETCH,21"W, 25"D	1
V1	TC4-NBLK2213	CUSHION COVER,ASSY,TC4,4 WAY STRETCH,22"W, 13"D	1
W1	TC4-NBLK2215	CUSHION COVER,ASSY,TC4,4 WAY STRETCH,22"W, 15"D	1
X1	TC4-NBLK2217	CUSHION COVER,ASSY,TC4,4 WAY STRETCH,22"W, 17"D	1
Y1	TC4-NBLK2219	CUSHION COVER,ASSY,TC4,4 WAY STRETCH,22"W, 19"D	1
Z1	TC4-NBLK2221	CUSHION COVER,ASSY,TC4,4 WAY STRETCH,22"W, 21"D	1
AA1	TC4-NBLK2223	CUSHION COVER,ASSY,TC4,4 WAY STRETCH,22"W, 23"D	1
BB1	TC4-NBLK2225	CUSHION COVER,ASSY,TC4,4 WAY STRETCH,22"W, 25"D	1

8.5. Back Pan Assy's

TB4 Back Pan Assy's - 14"-16"W (Reference the notes and sizing chart below)



25"H Back To procure the 25"H Back assy, the 23"H Back Pan assy (F1), the 2" Height Extension assy (G1), & the Extension Hardware (H1) must be selected.



F1	23"H Pan Assy
G1	Height Extension Assy
H1	Height Extension Hardware x2

Ref	Back Height	Overall Back Heights:	
		Static/Tilt Backs ¹	Recline Backs ²
A1	13"H	16" or 17"	19" or 20"
B1	15"H	18" or 19"	21" or 22"
C1	17"H	20" or 21"	23" or 24"
D1	19"H	22" or 23"	25" or 26"
E1	21"H	24" or 25"	27" or 28"
F1	23"H	26" or 27"	29" or 30"
F1 / G1 / H1	25"H	28" or 29"	31" or 32"

¹ The sizes represent a cushion to pan gap of 3" for even sized overall back heights and 4" for odd sized overall back heights.
² The sizes represent a cushion to pan gap of 6" for odd sized overall back heights and 7" for even sized overall back heights

- Notes:
- The Back Pan assy's are utilized with both Sport Back 4 & TRU-Comfort Back 4 assy's.
 - Painted side cover inserts are not included with the back pan assy's.
 - Individual components are not available separately. The assy must be selected.
 - 25"H backs utilize extension plates to achieve the back height. The plates are affixed to the 23"H back pan assy.

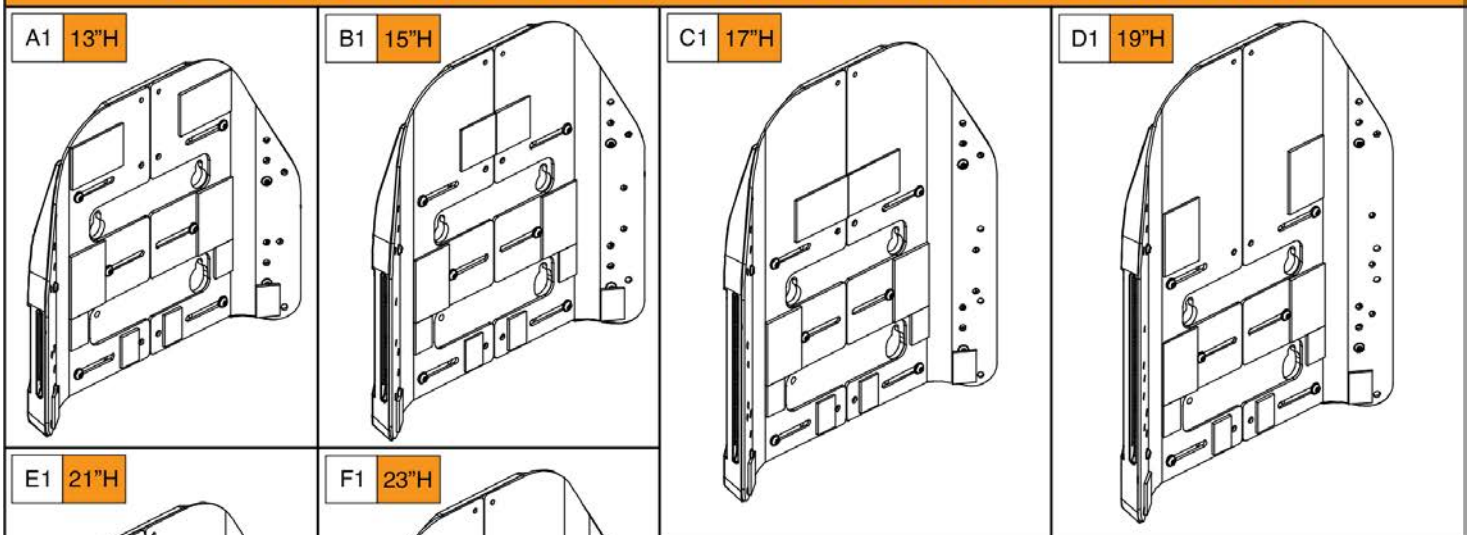
14"-16"W Back Pans, TB3 Redesigned Back



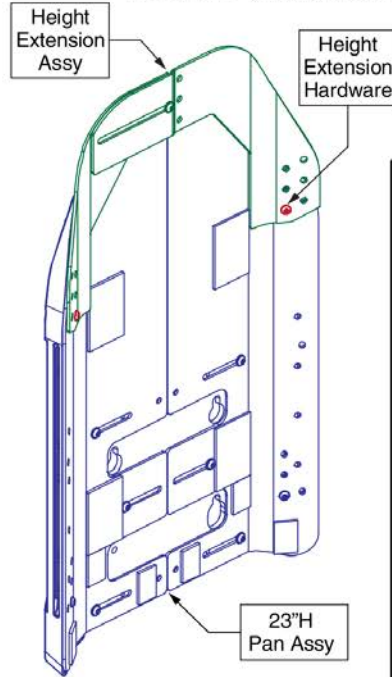
Item	Part No.	Name	Qty
A1	SET1902540	SEAT BACK,ASSY,14"W-16"W,13"H,W/MOUNTING HARDWARE	1
B1	SET1902559	SEAT BACK,ASSY,14"W-16"W,15"H,W/MOUNTING HARDWARE	1
C1	SET1902579	SEAT BACK,ASSY,14"W-16"W,17"H,W/MOUNTING HARDWARE	1
D1	SET1902608	SEAT BACK,ASSY,14"W-16"W,19"H,W/MOUNTING HARDWARE	1
E1	SET1902621	SEAT BACK,ASSY,14"W-16"W,21"H,W/MOUNTING HARDWARE	1
F1	SET1902633	SEAT BACK,ASSY,14"W-16"W,23"H,W/MOUNTING HARDWARE	1
G1	MEC1906115	SEAT BACK,ASSY,HEIGHT EXTENSION,14"W-16" W,W/HARDWARE	1
H1	SCRASBH1264	SCREW,BHSCS,BLACK ZINC,M6-1.0 X 15MM,GRADE 10.9	2

8.5. Back Pan Assy's

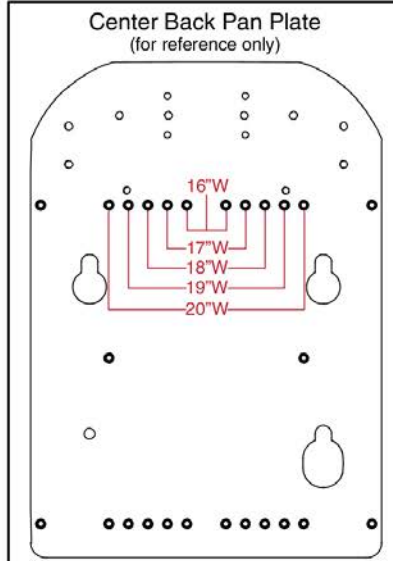
TB4 Back Pan Assy's - 16"-20"W (Reference the notes and sizing chart below)



25"H Back To procure the 25"H Back assy, the 23"H Back Pan assy (F1), the 2" Height Extension assy (G1), & the Extension Hardware (H1) must be selected.



F1	23"H Pan Assy
G1	Height Extension Assy
H1	Height Extension Hardware x2



Ref	Back Height	Overall Back Heights:	
		Static/Tilt Backs ¹	Recline Backs ²
A1	13"H	16" or 17"	19" or 20"
B1	15"H	18" or 19"	21" or 22"
C1	17"H	20" or 21"	23" or 24"
D1	19"H	22" or 23"	25" or 26"
E1	21"H	24" or 25"	27" or 28"
F1	23"H	26" or 27"	29" or 30"
F1 / G1 / H1	25"H	28" or 29"	31" or 32"

¹ The sizes represent a cushion to pan gap of 3" for even sized overall back heights and 4" for odd sized overall back heights.
² The sizes represent a cushion to pan gap of 6" for odd sized overall back heights and 7" for even sized overall back heights

- Notes:
- The Back Pan assy's are utilized with both Sport Back 4 & TRU-Comfort Back 4 assy's.
 - Painted side cover inserts are not included with the back pan assy's.
 - Individual components are not available separately. The assy must be selected.
 - 25"H backs utilize extension plates to achieve the back height. The plates are affixed to the 23"H back pan assy.

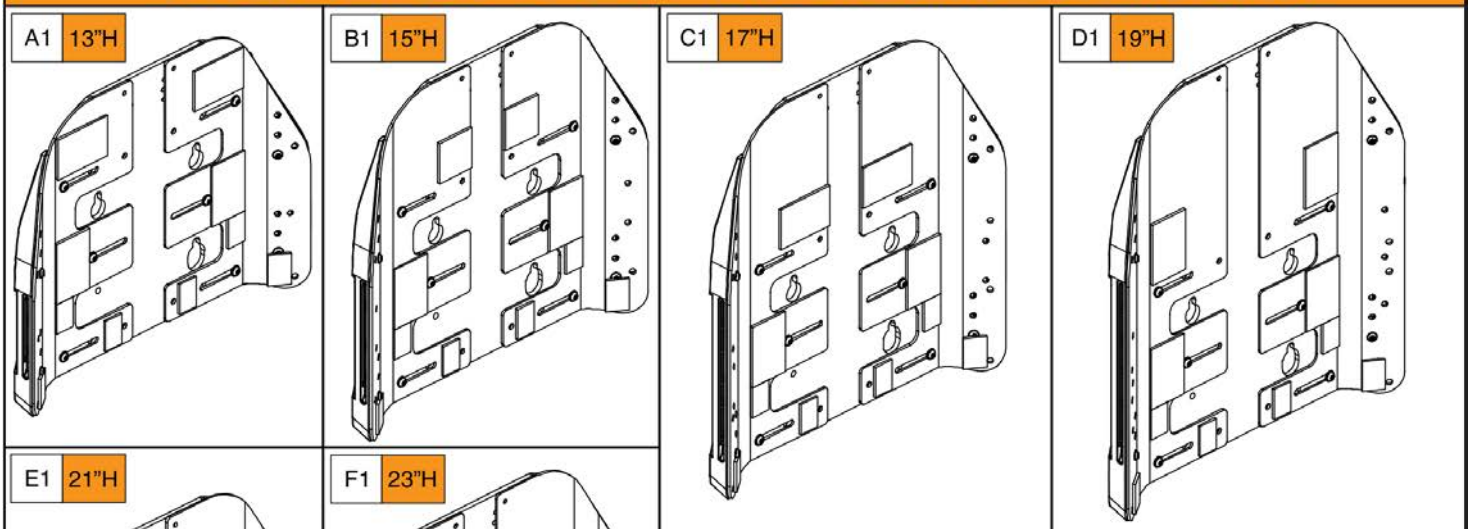
16"-20"W Back Pans, TB3 Redesigned Back



Item	Part No.	Name	Qty
A1	SET1902548	SEAT BACK,ASSY,16"W-20"W,13"H,W/MOUNTING HARDWARE	1
B1	SET1902568	SEAT BACK,ASSY,16"W-20"W,15"H,W/MOUNTING HARDWARE	1
C1	SET1902599	SEAT BACK,ASSY,16"W-20"W,17"H,W/MOUNTING HARDWARE	1
D1	SET1902611	SEAT BACK,ASSY,16"W-20"W,19"H,W/MOUNTING HARDWARE	1
E1	SET1902624	SEAT BACK,ASSY,16"W-20"W,21"H,W/MOUNTING HARDWARE	1
F1	SET1902636	SEAT BACK,ASSY,16"W-20"W,23"H,W/MOUNTING HARDWARE	1
G1	MEC1906116	SEAT BACK,ASSY,HEIGHT EXTENSION,16"W-20" W,W/HARDWARE	1
H1	SCRASBH1264	SCREW,BHSCS,BLACK ZINC,M6-1.0 X 15MM,GRADE 10.9	2

8.5. Back Pan Assy's

TB4 Back Pan Assy's - 18"-22"W (Reference the notes and sizing chart below)



25"H Back To procure the 25"H Back assy, the 23"H Back Pan assy (F1), the 2" Height Extension assy (G1), & the Extension Hardware (H1) must be selected.

F1	23"H Pan Assy
G1	Height Extension Assy
H1	Height Extension Hardware x2

Center Back Pan Plate (for reference only)

Ref	Back Height	Overall Back Heights:	
		Static/Tilt Backs ¹	Recline Backs ²
A1	13"H	16" or 17"	19" or 20"
B1	15"H	18" or 19"	21" or 22"
C1	17"H	20" or 21"	23" or 24"
D1	19"H	22" or 23"	25" or 26"
E1	21"H	24" or 25"	27" or 28"
F1	23"H	26" or 27"	29" or 30"
F1 / G1 / H1	25"H	28" or 29"	31" or 32"

¹ The sizes represent a cushion to pan gap of 3" for even sized overall back heights and 4" for odd sized overall back heights.
² The sizes represent a cushion to pan gap of 6" for odd sized overall back heights and 7" for even sized overall back heights

Notes:

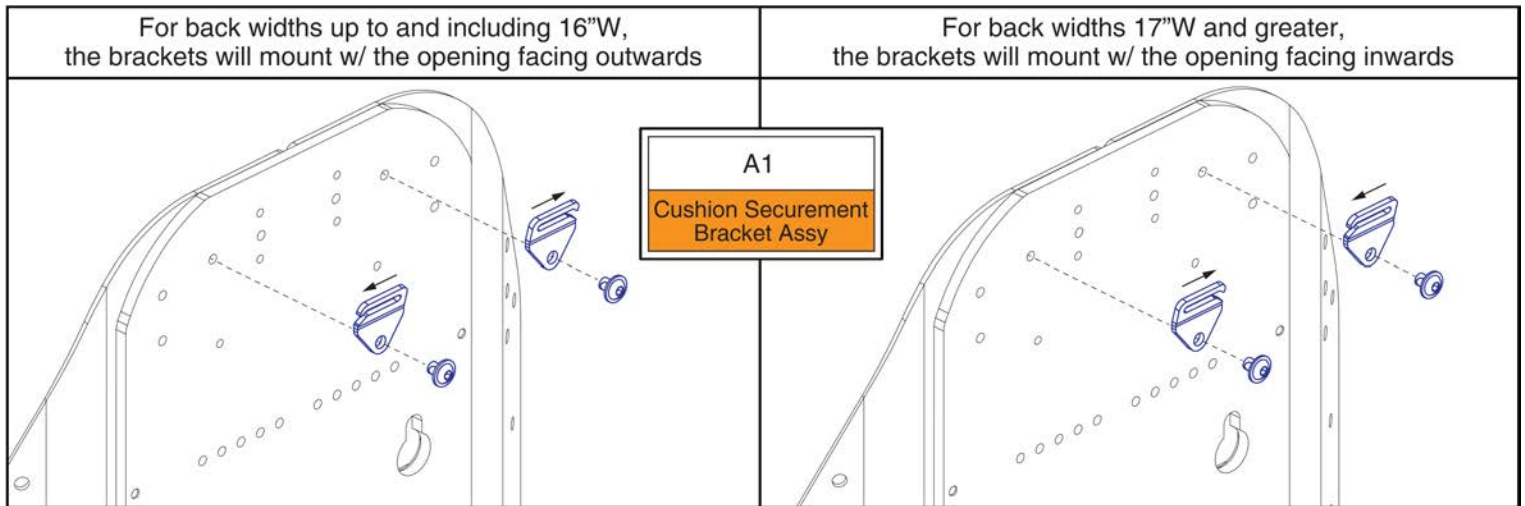
- The Back Pan assy's are utilized with both Sport Back 4 & TRU-Comfort Back 4 assy's.
- Painted side cover inserts are not included with the back pan assy's.
- Individual components are not available separately. The assy must be selected.
- 25"H backs utilize extension plates to achieve the back height. The plates are affixed to the 23"H back pan assy.

18"-22"W Back Pans, TB3 Redesigned Back



Item	Part No.	Name	Qty
A1	SET1902552	SEAT BACK,ASSY,18"W-22"W,13"H,W/MOUNTING HARDWARE	1
B1	SET1902573	SEAT BACK,ASSY,18"W-22"W,15"H,W/MOUNTING HARDWARE	1
C1	SET1902602	SEAT BACK,ASSY,18"W-22"W,17"H,W/MOUNTING HARDWARE	1
D1	SET1902615	SEAT BACK,ASSY,18"W-22"W,19"H,W/MOUNTING HARDWARE	1
E1	SET1902627	SEAT BACK,ASSY,18"W-22"W,21"H,W/MOUNTING HARDWARE	1
F1	SET1902639	SEAT BACK,ASSY,18"W-22"W,23"H,W/MOUNTING HARDWARE	1
G1	MEC1906117	SEAT BACK,ASSY,HEIGHT EXTENSION,18"W-22" W,W/HARDWARE	1
H1	SCRASBH1264	SCREW,BHSCS,BLACK ZINC,M6-1.0 X 15MM,GRADE 10.9	2

8.5. Back Pan Assy's

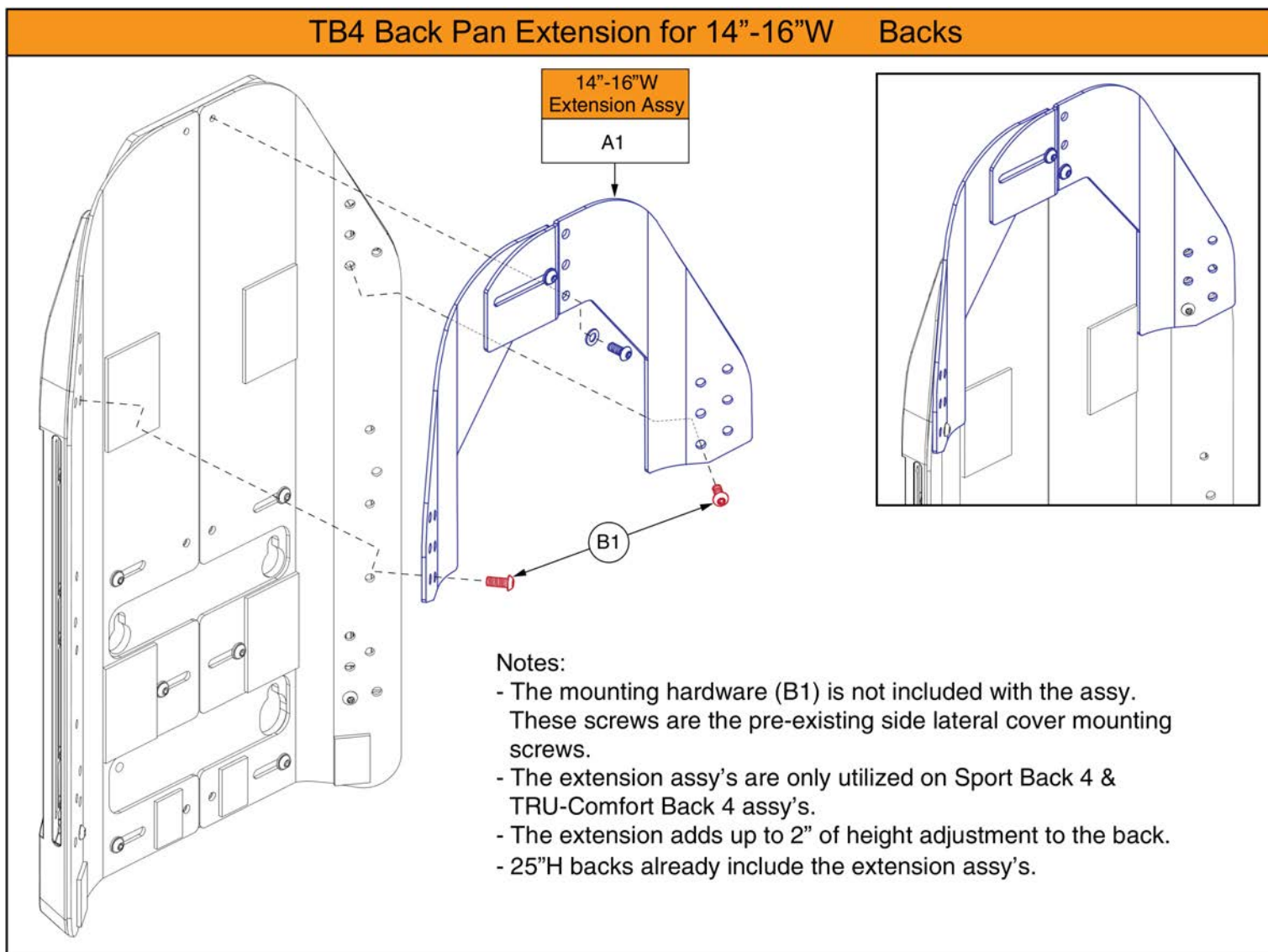


TB3 Back Cushion Securement Brackets



Item	Part No.	Name	Qty
A1	MEC1907389	BACK CUSHION SECUREMENT BRACKET, REDESIGNED BACK, PAIR	1

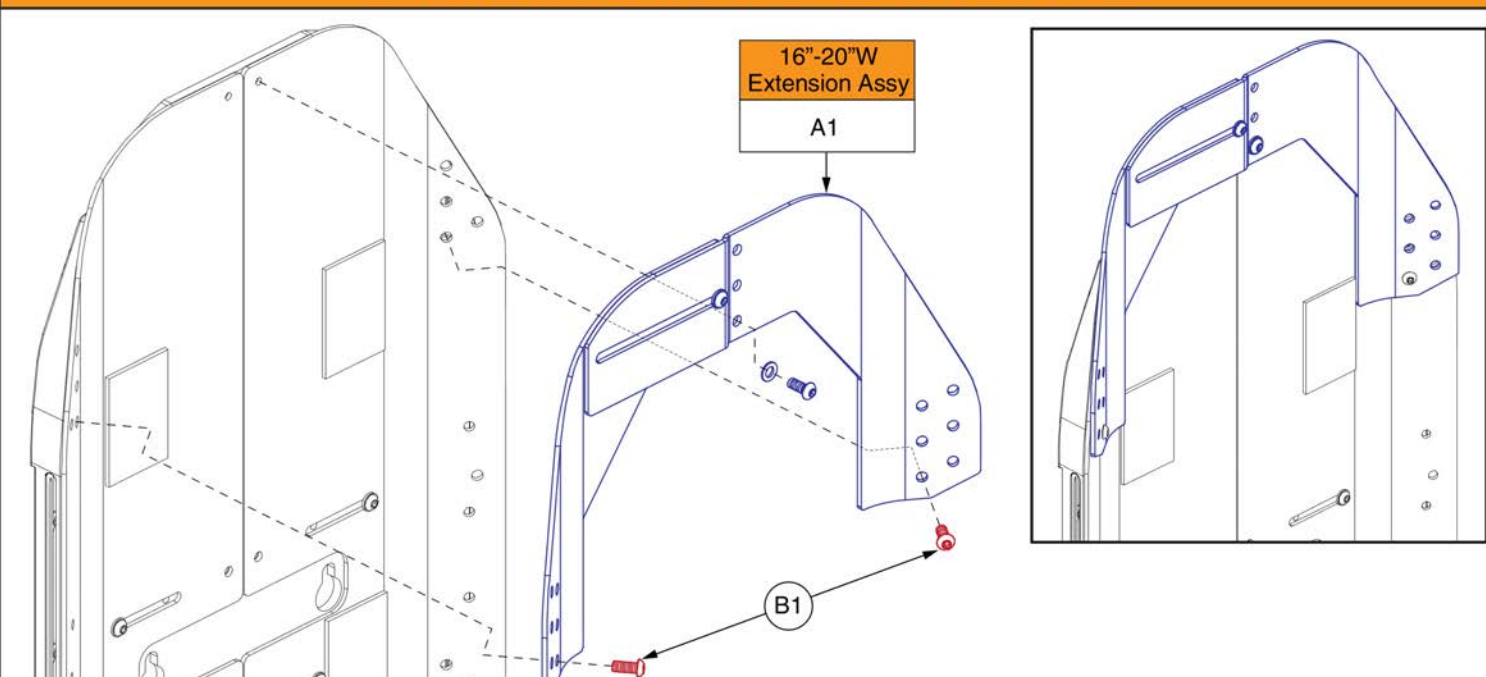
8.6. Back Height Extensions



Item	Part No.	Name	Qty
A1	MEC1906115	SEAT BACK,ASSY,HEIGHT EXTENSION,14"W-16" W,W/HARDWARE	1
B1	SCRASBH1264	SCREW,BHSCS,BLACK ZINC,M6-1.0 X 15MM,GRADE 10.9	2

8.6. Back Height Extensions

TB4 Back Pan Extension for 16"-20"W Backs



16"-20"W
Extension Assy
A1

B1

Notes:

- The mounting hardware (B1) is not included with the assy. These screws are the pre-existing side lateral cover mounting screws.
- The extension assy's are only utilized on Sport Back 4 & TRU-Comfort Back 4 assy's.
- The extension adds up to 2" of height adjustment to the back.
- 25"H backs already include the extension assy's.

Item	Part No.	Name	Qty
A1	MEC1906116	SEAT BACK,ASSY,HEIGHT EXTENSION,16"W-20" W,W/HARDWARE	1
B1	SCRASBH1264	SCREW,BHSCS,BLACK ZINC,M6-1.0 X 15MM,GRADE 10.9	2

8.6. Back Height Extensions

TB4 Back Pan Extension for 18"-22"W Backs

**18"-22"W
Extension Assy
A1**

(B1)

Notes:

- The mounting hardware (B1) is not included with the assy. These screws are the pre-existing side lateral cover mounting screws.
- The extension assy's are only utilized on Sport Back 4 & TRU-Comfort Back 4 assy's.
- The extension adds up to 2" of height adjustment to the back.
- 25"H backs already include the extension assy's.

Item	Part No.	Name	Qty
A1	MEC1906117	SEAT BACK,ASSY,HEIGHT EXTENSION,18"W-22" W,W/HARDWARE	1
B1	SCRASBH1264	SCREW,BHSCS,BLACK ZINC,M6-1.0 X 15MM,GRADE 10.9	2

8.7. Seat Back Serviceable Components



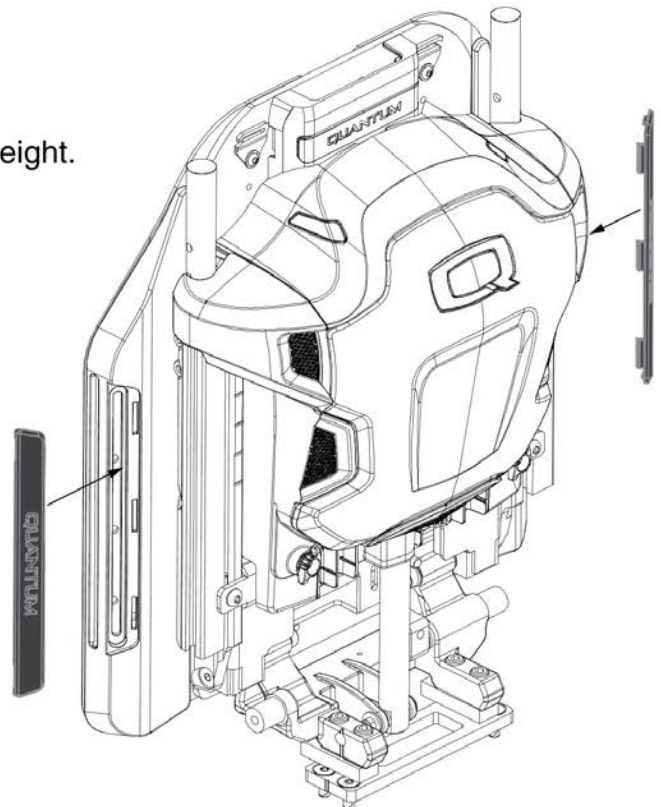
Notes:

- A quantity of 2 must be selected for the pair.
- The illustration depicts the 17\"/>
- **Important!** Reference the chart for sizing information.
- 25\"/>
- 23\"/>

Ref	Back Height	Overall Back Heights:	
		Static/Tilt Backs ¹	Recline Backs ²
A1	13\"/>		
B1	15\"/>		
C1	17\"/>		
D1	19\"/>		
E1	21\"/>		
F1	23\"/>		

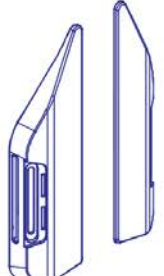
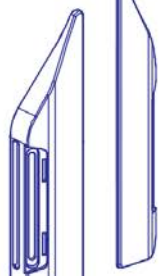
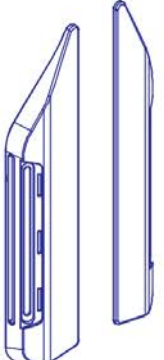
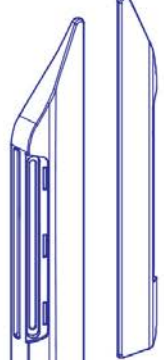
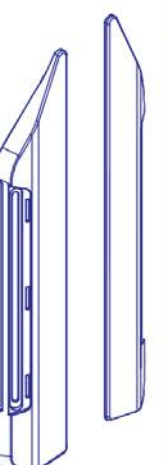
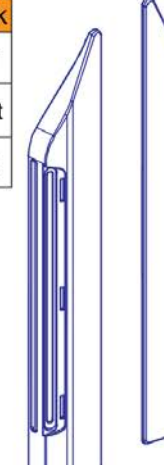
¹. The sizes represent a cushion to pan gap of 3\"/>

². The sizes represent a cushion to pan gap of 6\"/>



Item	Part No.	Name	Qty
A1	DGN1804554-PBK3	BACK PAN,SIDE SHROUD,13"H,PLASTIC,PPW-BLK-03(NIGHT TRAIN)(DGN1804554)	1
B1	DGN1804555-PBK3	BACK PAN,SIDE SHROUD,15"H,PLASTIC,PPW-BLK-03(NIGHT TRAIN)(DGN1804555)	1
C1	DGN1804556-PBK3	BACK PAN,SIDE SHROUD,17"H,PLASTIC,PPW-BLK-03(NIGHT TRAIN)(DGN1804556)	1
D1	DGN1714328-PBK3	BACK PAN,SIDE SHROUD,19"H,PLASTIC,PPW-BLK-03(NIGHT TRAIN)(DGN1714328)	1
E1	DGN1804557-PBK3	BACK PAN,SIDE SHROUD,21"H,PLASTIC,PPW-BLK-03(NIGHT TRAIN)(DGN1804557)	1
F1	DGN1804558-PBK3	BACK PAN,SIDE SHROUD,23"H,PLASTIC,PPW-BLK-03(NIGHT TRAIN)(DGN1804558)	1

8.7. Seat Back Serviceable Components

TB4 Back Side Lateral Covers (Does Not Include Mounting Hardware)													
<p>13"H Back</p> <table border="1"> <tr><td>A1</td><td>Pair</td></tr> <tr><td>A1a</td><td>Right</td></tr> <tr><td>A1b</td><td>Left</td></tr> </table> 	A1	Pair	A1a	Right	A1b	Left	<p>15"H Back</p> <table border="1"> <tr><td>B1</td><td>Pair</td></tr> <tr><td>B1a</td><td>Right</td></tr> <tr><td>B1b</td><td>Left</td></tr> </table> 	B1	Pair	B1a	Right	B1b	Left
A1	Pair												
A1a	Right												
A1b	Left												
B1	Pair												
B1a	Right												
B1b	Left												
<p>17"H Back</p> <table border="1"> <tr><td>C1</td><td>Pair</td></tr> <tr><td>C1a</td><td>Right</td></tr> <tr><td>C1b</td><td>Left</td></tr> </table> 	C1	Pair	C1a	Right	C1b	Left	<p>19"H Back</p> <table border="1"> <tr><td>D1</td><td>Pair</td></tr> <tr><td>D1a</td><td>Right</td></tr> <tr><td>D1b</td><td>Left</td></tr> </table> 	D1	Pair	D1a	Right	D1b	Left
C1	Pair												
C1a	Right												
C1b	Left												
D1	Pair												
D1a	Right												
D1b	Left												
<p>21"H Back</p> <table border="1"> <tr><td>E1</td><td>Pair</td></tr> <tr><td>E1a</td><td>Right</td></tr> <tr><td>E1b</td><td>Left</td></tr> </table> 	E1	Pair	E1a	Right	E1b	Left	<p>23"H / 25"H Back</p> <table border="1"> <tr><td>F1</td><td>Pair</td></tr> <tr><td>F1a</td><td>Right</td></tr> <tr><td>F1b</td><td>Left</td></tr> </table> 	F1	Pair	F1a	Right	F1b	Left
E1	Pair												
E1a	Right												
E1b	Left												
F1	Pair												
F1a	Right												
F1b	Left												

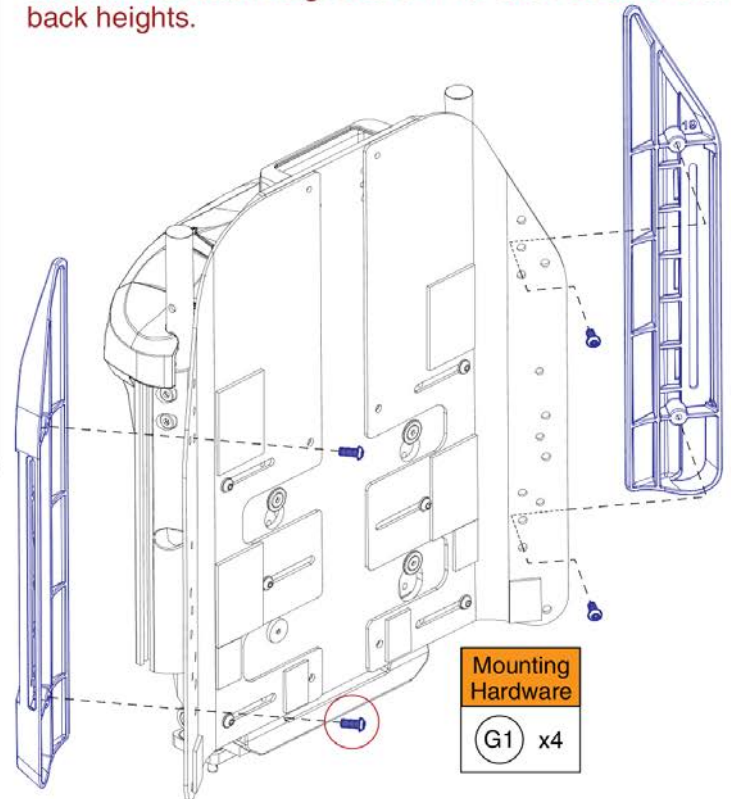
Notes:

- Painted inserts are not included with the cover assy's.
- Mounting hardware is not included with the assy's.
- The illustration depicts the 19" variant for clarity.
- Important! Reference the chart for sizing information.
- 25"H backs utilize extension plates to achieve the back height. Therefore 23"H Lateral Side Covers and back assy's are utilized for 25"H backs.

				Overall Back Heights:	
Pair	R	L	Back Height	Static/Tilt Backs ¹	Recline Backs ²
A1	A1a	A1b	13"H	16" or 17"	19" or 20"
B1	B1a	B1b	15"H	18" or 19"	21" or 22"
C1	C1a	C1b	17"H	20" or 21"	23" or 24"
D1	D1a	D1b	19"H	22" or 23"	25" or 26"
E1	E1a	E1b	21"H	24" or 25"	27" or 28"
F1	F1a	F1b	23"H / 25"H	26" or 27"/ 28" or 29"	29" or 30"/ 31" or 32"

¹. The sizes represent a cushion to pan gap of 3" for even sized overall back heights and 4" for odd sized overall back heights.

². The sizes represent a cushion to pan gap of 6" for odd sized overall back heights and 7" for even sized overall back heights.

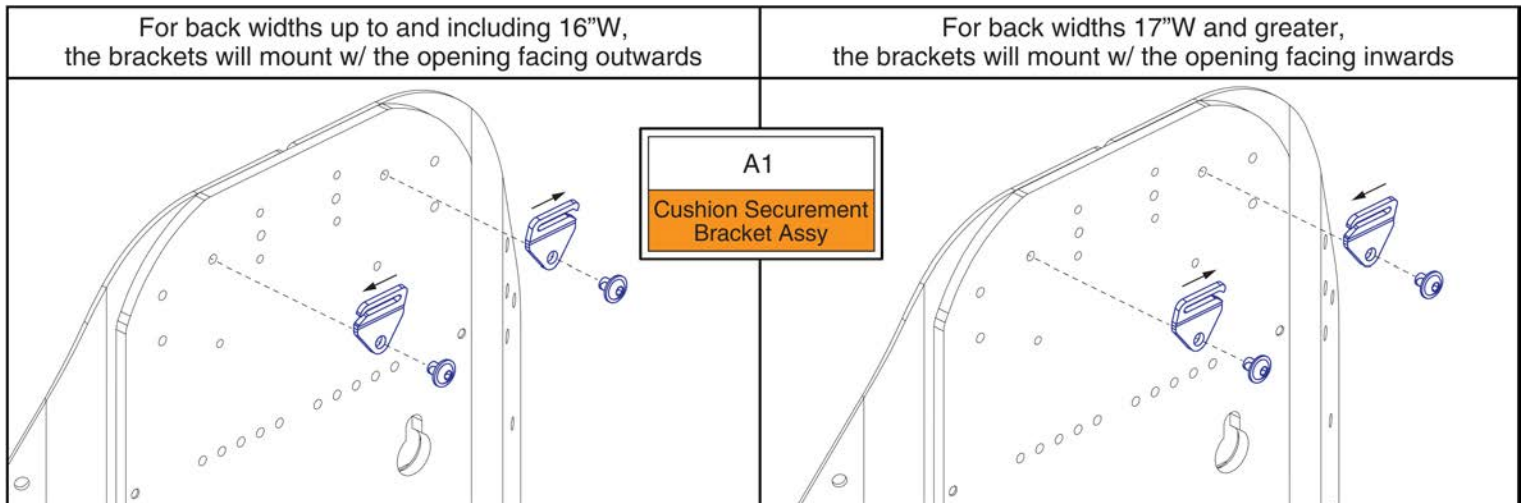


Lateral Side Covers, TB3 Redesigned Back



Item	Part No.	Name	Qty
A1	MEC1904509	SIDE LATERAL COVER,13"H,REDESIGNED BACK,PAIR	1
A1a	MEC1804303	TB4-BACK PAN SIDE COVER, 13H, RH	1
A1b	MEC1804302	TB4-BACK PAN SIDE COVER, 13H, LH	1
B1	MEC1904510	SIDE LATERAL COVER,15"H,REDESIGNED BACK,PAIR	1
B1a	MEC1804305	TB4-BACK PAN SIDE COVER, 15H, RH	1
B1b	MEC1804304	TB4-BACK PAN SIDE COVER, 15H, LH	1
C1	MEC1904511	SIDE LATERAL COVER,17"H,REDESIGNED BACK,PAIR	1
C1a	MEC1804307	TB4-BACK PAN SIDE COVER, 17H, RH	1
C1b	MEC1804306	TB4-BACK PAN SIDE COVER, 17H, LH	1
D1	MEC1904512	SIDE LATERAL COVER,19"H,REDESIGNED BACK,PAIR	1
D1a	MEC1804309	TB4-BACK PAN SIDE COVER, 19H, RH	1
D1b	MEC1804308	TB4-BACK PAN SIDE COVER, 19H, LH	1
E1	MEC1904513	SIDE LATERAL COVER,21"H,REDESIGNED BACK,PAIR	1
E1a	MEC1804311	TB4-BACK PAN SIDE COVER, 21H, RH	1
E1b	MEC1804310	TB4-BACK PAN SIDE COVER, 21H, LH	1
F1	MEC1904515	SIDE LATERAL COVER,23"H,REDESIGNED BACK,PAIR	1
F1a	MEC1804313	TB4-BACK PAN SIDE COVER, 23H, RH	1
F1b	MEC1804312	TB4-BACK PAN SIDE COVER, 23H, LH	1
G1	SCRASBH1264	SCREW,BHSCS,BLACK ZINC,M6-1.0 X 15MM,GRADE 10.9	4

8.7. Seat Back Serviceable Components



TB3 Back Cushion Securement Brackets



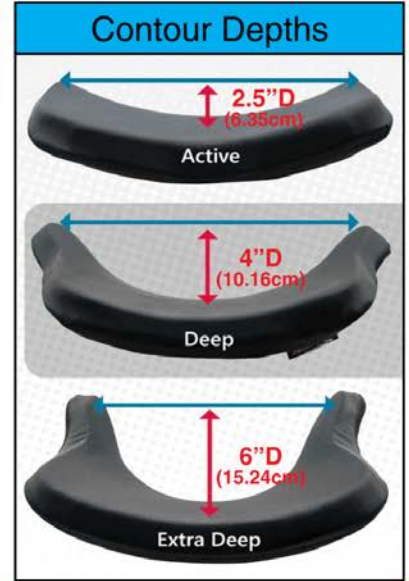
Item	Part No.	Name	Qty
A1	MEC1907389	BACK CUSHION SECUREMENT BRACKET, REDESIGNED BACK, PAIR	1

8.8. Stealth ADI Q-Back 2

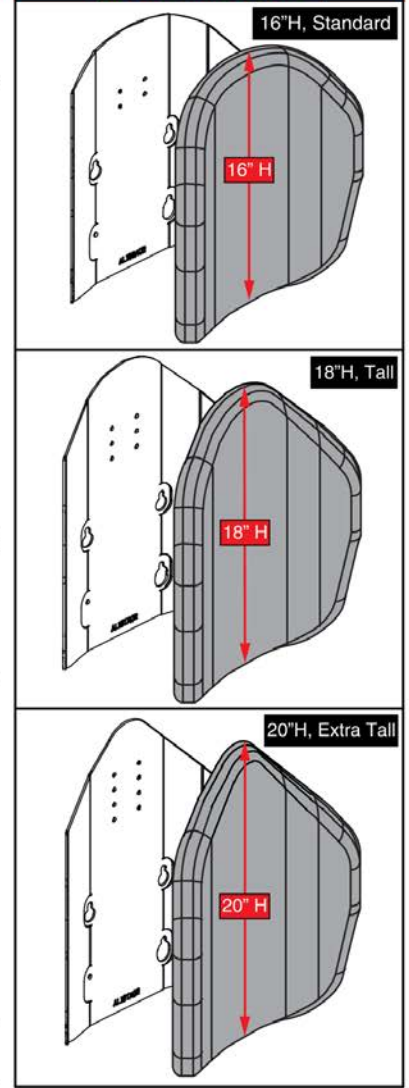
Active Contour			Deep Contour			Extra Deep Contour		
Ref	Back Size	Config.	Ref	Back Size	Config.	Ref	Back Size	Config.
A1	14"W x 16"H	Std.	B1	14"W x 16"H	Std.	C1	16"W x 16"H	Std.
A2	14"W x 18"H	Tall	B2	14"W x 18"H	Tall	C2	16"W x 18"H	Tall
A3	16"W x 16"H	Std.	B3	16"W x 16"H	Std.	C3	18"W x 16"H	Std.
A4	16"W x 18"H	Tall	B4	16"W x 18"H	Tall	C4	18"W x 18"H	Tall
A5	16"W x 20"H	Ex. Tall	B5	18"W x 16"H	Std.	C5	18"W x 20"H	Ex. Tall
A6	18"W x 16"H	Std.	B6	18"W x 18"H	Tall	C6	20"W x 16"H	Std.
A7	18"W x 18"H	Tall	B7	20"W x 16"H	Std.	C7	20"W x 18"H	Tall
A8	18"W x 20"H	Ex. Tall	B8	20"W x 18"H	Tall	C8	20"W x 20"H	Ex. Tall
A9	20"W x 16"H	Std.						
A10	20"W x 18"H	Tall						
A11	20"W x 20"H	Ex. Tall						

The assy's include the Back Pan & Back Cushion. Individual components are not available for replacement.

The Spacer Plate (E1) is required for installation.



Back Dimensions (Active Contour Shown)

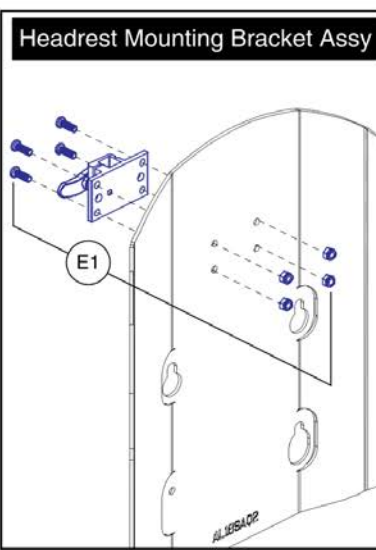
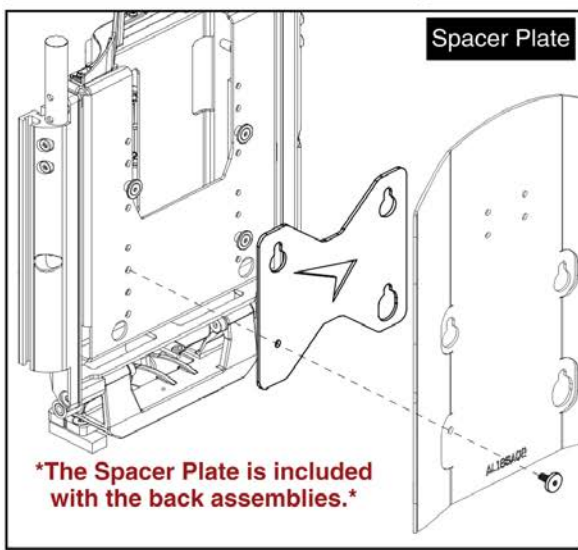
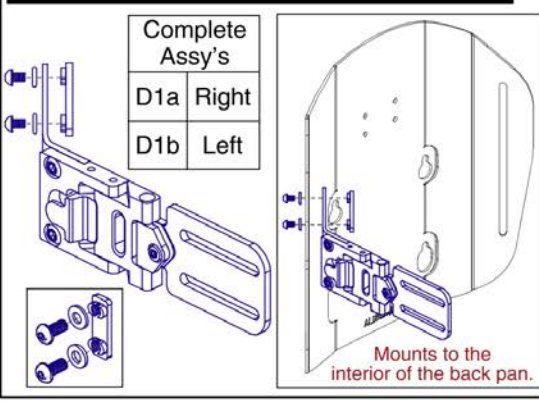


Back Height Matrix

Back Height	Overall Seat Back Heights	
	Static/Tilt Backs ¹	Recline Backs ²
16"H	19" or 20"	22" or 23"
18"H	21" or 22"	24" or 25"
20"H	23" or 24"	26" or 27"

- The sizes represent a cushion to pan gap of 3" for odd sized overall heights & 4" for even sized overall heights.
- The sizes represent a cushion to pan gap of 6" for even sized overall heights & 7" for odd sized overall heights.

Lateral Bracket for Active Contour Back Plates

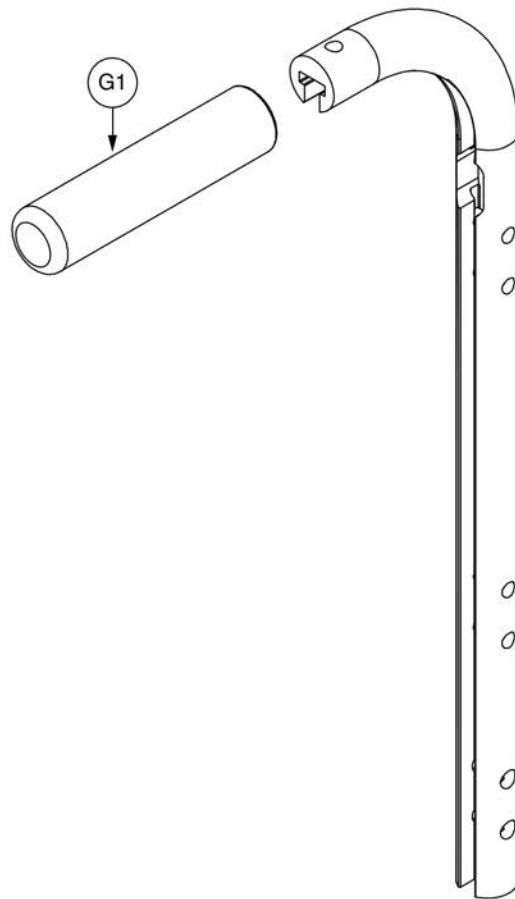


Stealth ADI Q-Back 2 Contoured Seat Backs



Item	Part No.	Name	Qty
A1	QB2AL14AS	Q-BACK 2.0,AL SERIES,ACTIVE STANDARD,14"W,16"H,(ADI)	1
A2	QB2AL14AT	Q-BACK 2.0,AL SERIES,ACTIVE TALL,14"W,18"H,(ADI)	1
A3	QB2AL16AS	Q-BACK 2.0,AL SERIES,ACTIVE STANDARD,16"W,16"H,(ADI)	1
A4	QB2AL16AT	Q-BACK 2.0,AL SERIES,ACTIVE TALL,16"W,18"H,(ADI)	1
A5	QB2AL16AX	Q-BACK 2.0,AL SERIES,ACTIVE EXTRA TALL,16"W,20"H,(ADI)	1
A6	QB2AL18AS	Q-BACK 2.0,AL SERIES,ACTIVE STANDARD,18"W,16"H,(ADI)	1
A7	QB2AL18AT	Q-BACK 2.0,AL SERIES,ACTIVE TALL,18"W,18"H,(ADI)	1
A8	QB2AL18AX	Q-BACK 2.0,AL SERIES,ACTIVE EXTRA TALL,18"W,20"H,(ADI)	1
A9	QB2AL20AS	Q-BACK 2.0,AL SERIES,ACTIVE STANDARD,20"W,16"H,(ADI)	1
A10	QB2AL20AT	Q-BACK 2.0,AL SERIES,ACTIVE TALL,20"W,18"H,(ADI)	1
A11	QB2AL20AX	Q-BACK 2.0,AL SERIES,ACTIVE EXTRA TALL,20"W,20"H,(ADI)	1
B1	QB2AL14DS	Q-BACK 2.0,AL SERIES,DEEP STANDARD,14"W,16"H,(ADI)	1
B2	QB2AL14DT	Q-BACK 2.0,AL SERIES,DEEP TALL,14"W,18"H,(ADI)	1
B3	QB2AL16DS	Q-BACK 2.0,AL SERIES,DEEP STANDARD,16"W,16"H,(ADI)	1
B4	QB2AL16DT	Q-BACK 2.0,AL SERIES,DEEP TALL,16"W,18"H,(ADI)	1
B5	QB2AL18DS	Q-BACK 2.0,AL SERIES,DEEP STANDARD,18"W,16"H,(ADI)	1
B6	QB2AL18DT	Q-BACK 2.0,AL SERIES,DEEP TALL,18"W,18"H,(ADI)	1
B7	QB2AL20DS	Q-BACK 2.0,AL SERIES,DEEP STANDARD,20"W,16"H,(ADI)	1
B8	QB2AL20DT	Q-BACK 2.0,AL SERIES,DEEP TALL,20"W,18"H,(ADI)	1
C1	QB2AL166S	Q-BACK 2.0,AL SERIES,6" LATERALS,STANDARD,16"W,16"H,(ADI)	1
C2	QB2AL166T	Q-BACK 2.0,AL SERIES,6" LATERALS,TALL,16"W,18"H,(ADI)	1
C3	QB2AL186S	Q-BACK 2.0,AL SERIES,6" LATERALS,STANDARD,18"W,16"H,(ADI)	1
C4	QB2AL186T	Q-BACK 2.0,AL SERIES,6" LATERALS,TALL,18"W,18"H,(ADI)	1
C5	QB2AL18DX	Q-BACK 2.0,AL SERIES,DEEP EXTRA TALL,18"W,20"H,(ADI)	1
C6	QB2AL206S	Q-BACK 2.0,AL SERIES,6" LATERALS,STANDARD,20"W,16"H,(ADI)	1
C7	QB2AL206T	Q-BACK 2.0,AL SERIES,6" LATERALS,TALL,20"W,18"H,(ADI)	1
C8	QB2AL20DX	Q-BACK 2.0,AL SERIES,DEEP EXTRA TALL,20"W,20"H,(ADI)	1
D1a	ST-TWBLT-QL-R	LATERAL HARDWARE,Q-BACK,RIGHT	1
D1b	ST-TWBLT-QL-L	LATERAL HARDWARE,Q-BACK,LEFT	1
E1	SET150325	HEADREST BRACKET MOUNTING HARDWARE,ASSY,STEALTH,SYNERGY/TRU-BALANCE 2/Q-BACK 2	1

9. Back Cane & Back Cane Mounted Components

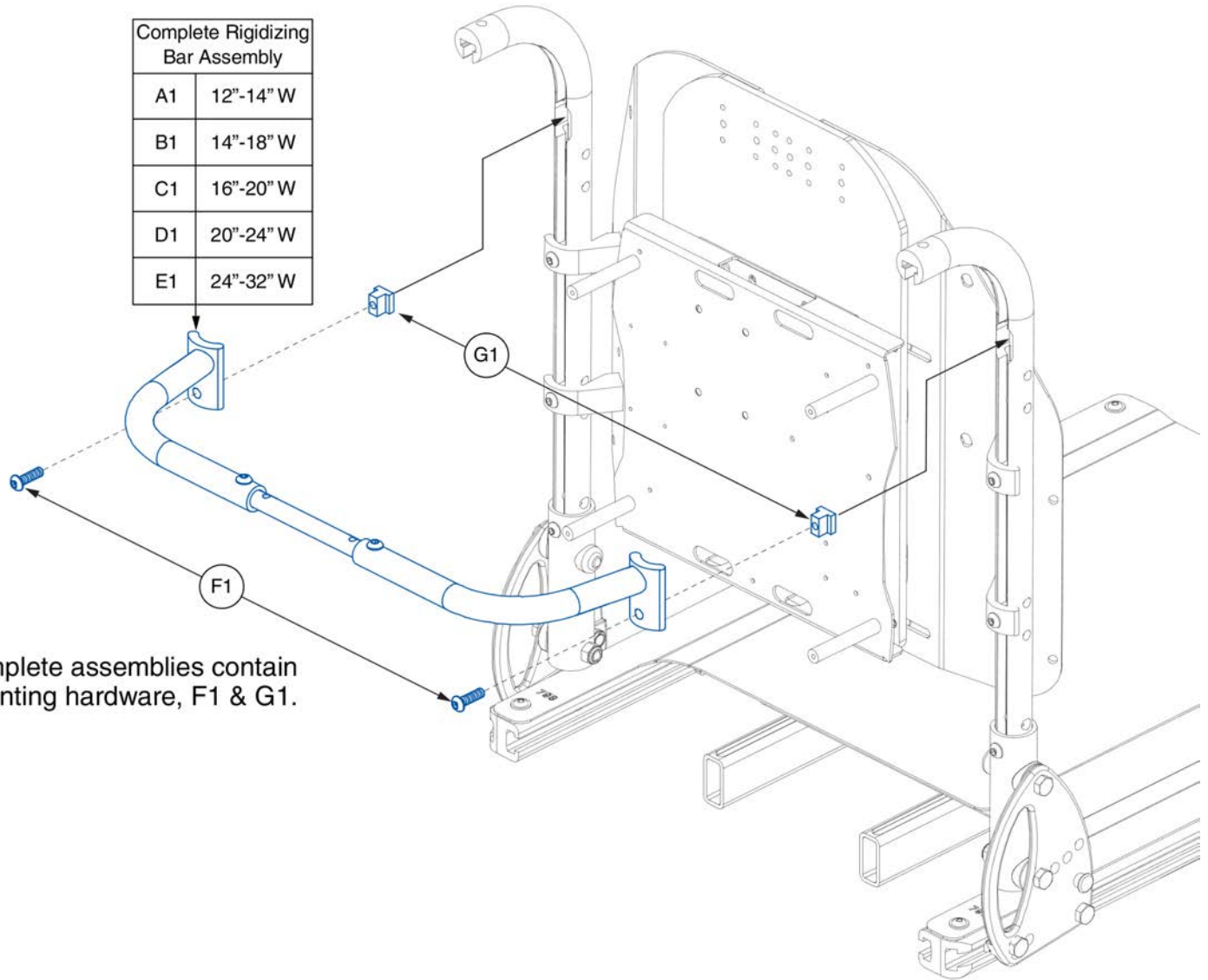


Complete Assemblies	
*Includes Foam Grip	
A1	16" Height
B1	17" Height
C1	20" Height
D1	21" Height
E1	24" Height
F1	25" Height

Item	Part No.	Name	Qty
A1	FRMASMB15834	BACK CANE,ASSY,W/SHORT PUSH HANDLE,16"H,6 HOLE	1
B1	FRMASMB15835	BACK CANE,ASSY,W/SHORT PUSH HANDLE,17"H,6 HOLE	1
C1	FRMASMB15838	BACK CANE,ASSY,W/SHORT PUSH HANDLE,20"H,6 HOLE	1
D1	FRMASMB15839	BACK CANE,ASSY,W/SHORT PUSH HANDLE,21"H,6 HOLE	1
E1	FRMASMB15842	BACK CANE,ASSY,W/SHORT PUSH HANDLE,24"H,6 HOLE	1
F1	FRMASMB15843	BACK CANE,ASSY,W/SHORT PUSH HANDLE,25"H,6 HOLE	1
G1	PROHDLC1052	HAND GRIP,BLACK,FOAM,.94"ID X 5.00"L X .125"TH	1

9. Back Cane & Back Cane Mounted Components

Complete Rigidizing Bar Assembly	
A1	12"-14" W
B1	14"-18" W
C1	16"-20" W
D1	20"-24" W
E1	24"-32" W



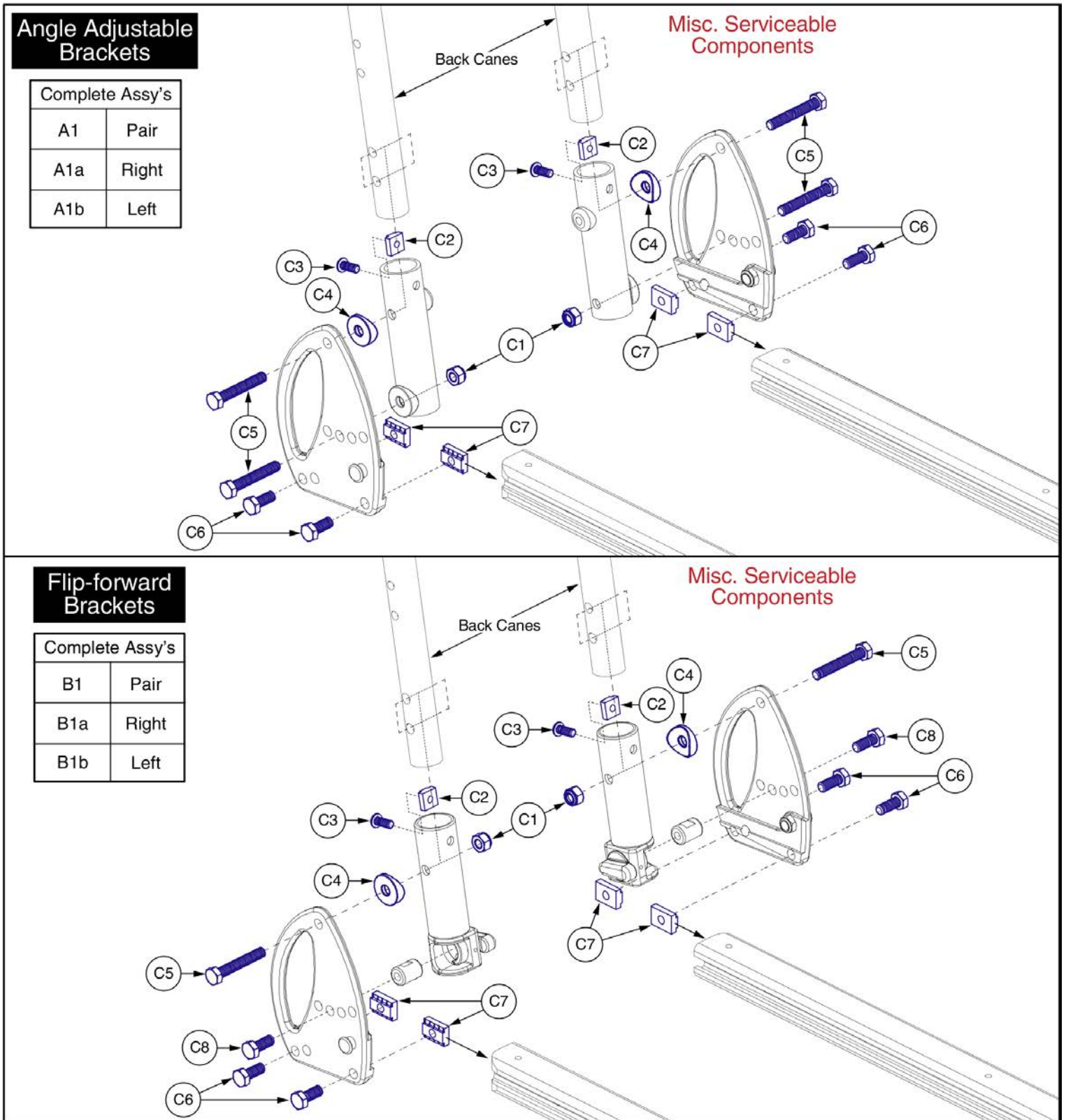
The complete assemblies contain the mounting hardware, F1 & G1.

Back Cane Rigidizing Bars, TB3



Item	Part No.	Name	Qty
A1	FRMASMB17113	RIGIDIZING BAR,ASSY,12"W-14"W,CANE MOUNTED,W/HARDWARE	1
B1	FRMASMB17114	RIGIDIZING BAR,ASSY,14"W-18"W,CANE MOUNTED,W/HARDWARE	1
C1	FRMASMB17115	RIGIDIZING BAR,ASSY,16"W-20"W,CANE MOUNTED,W/HARDWARE	1
D1	FRMASMB17116	RIGIDIZING BAR,ASSY,20"W-24"W,CANE MOUNTED,W/HARDWARE	1
E1	FRMASMB17117	RIGIDIZING BAR,ASSY,24"W-32"W,CANE MOUNTED,W/HARDWARE	1
F1	SCRASBH1209	SCREW,BHSCS,BLACK ZINC,1/4-20 X .875",GR 8,W/PATCH	2
G1	DWR1359B003	T-NUT,BLACK,1/4-20 X 0.563",0.50" TH,B-1359-003	2

9. Back Cane & Back Cane Mounted Components



Angle Adjustable Brackets

Complete Assy's	
A1	Pair
A1a	Right
A1b	Left

Misc. Serviceable Components

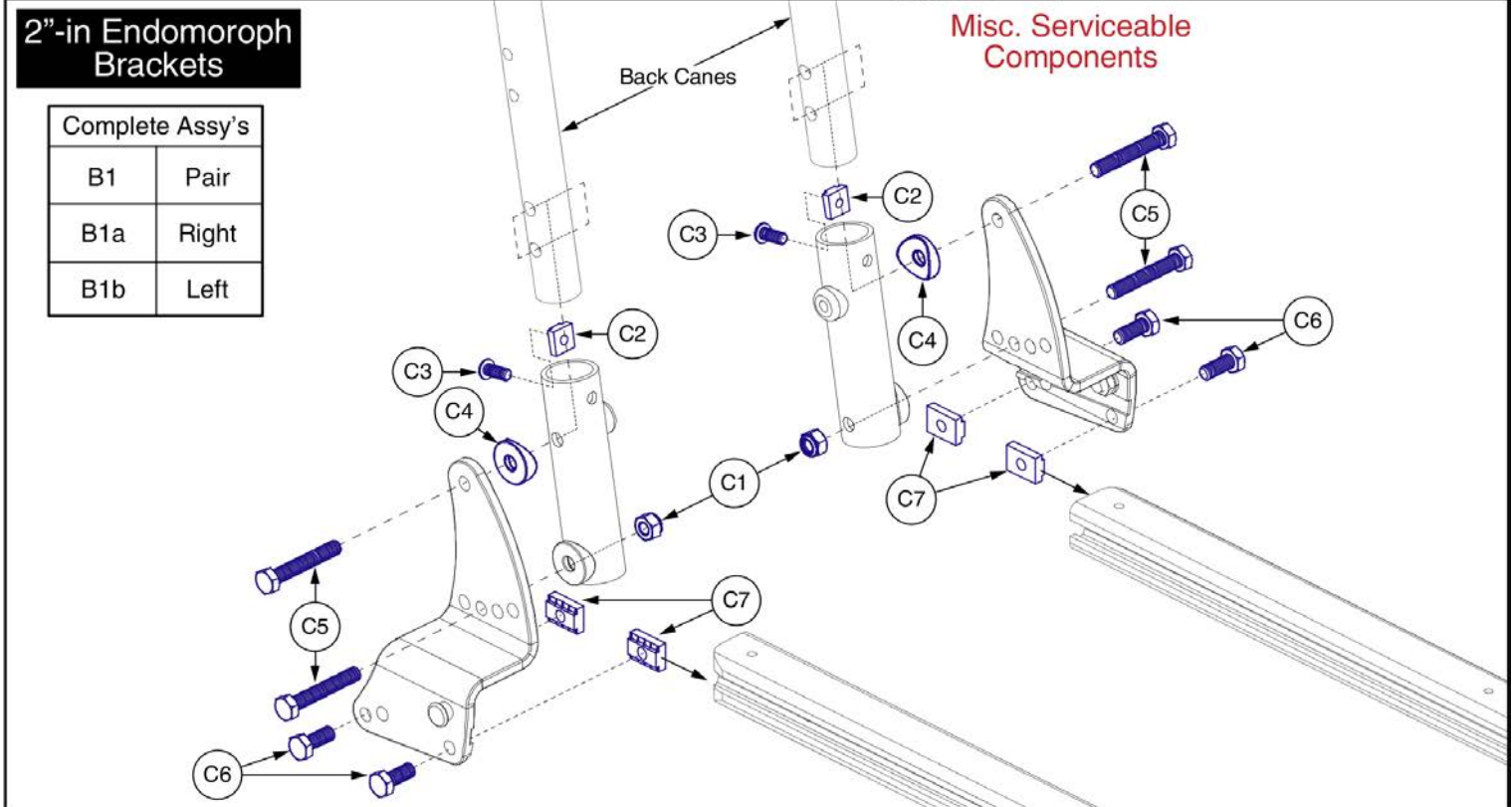
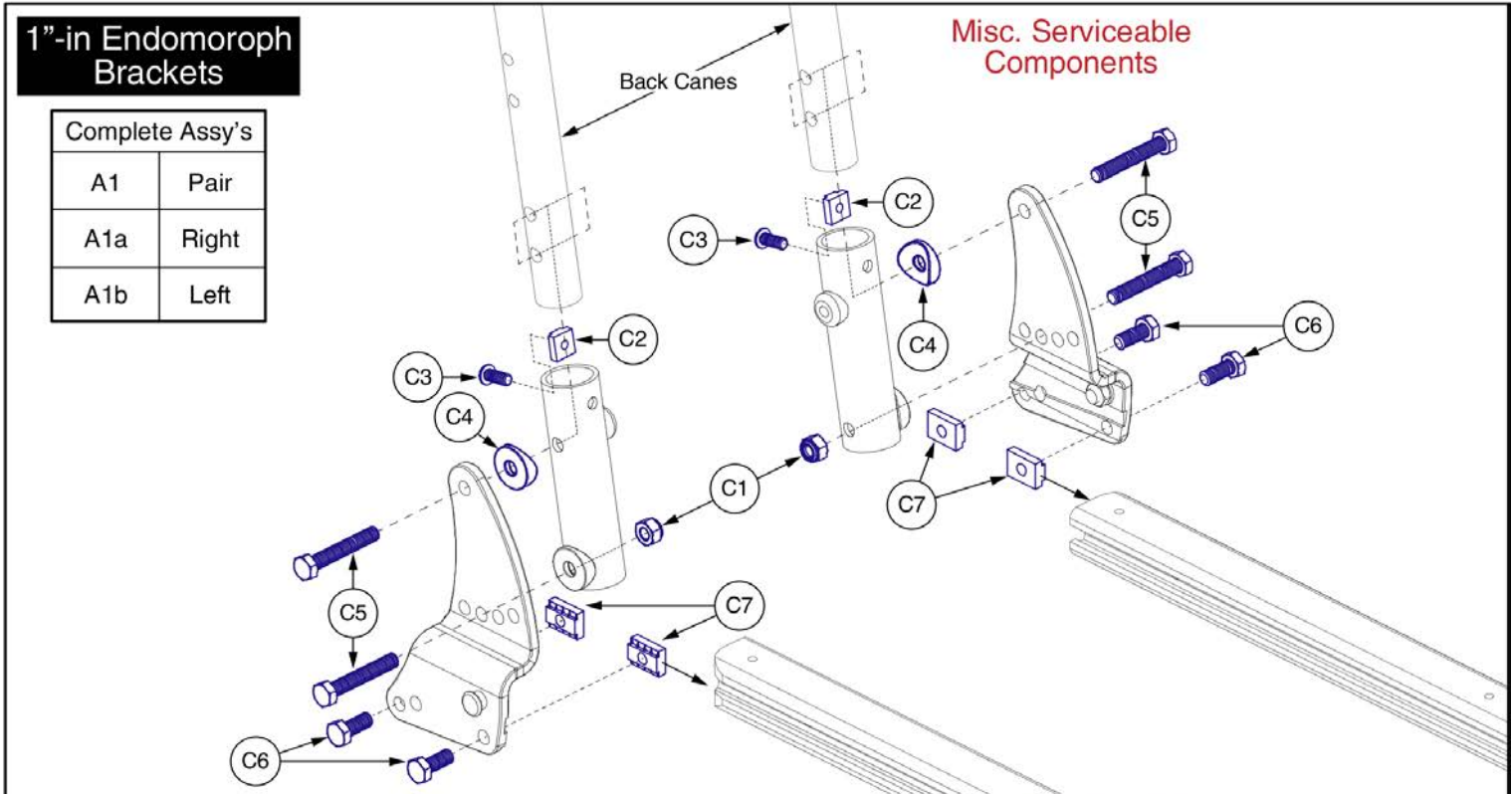
Flip-forward Brackets

Complete Assy's	
B1	Pair
B1a	Right
B1b	Left

Misc. Serviceable Components

Item	Part No.	Name	Qty
A1	MEC140266	BACK CANE BRACKET,ASSY,ANGLE ADJUSTABLE,PAIR,TB3	1
A1a	MEC140279	BACK CANE BRACKET,ASSY,ANGLE ADJUSTABLE,TB3,RIGHT	1
A1b	MEC140278	BACK CANE BRACKET,ASSY,ANGLE ADJUSTABLE,TB3,LEFT	1
B1	MEC140272	BACK CANE BRACKET,ASSY,FLIP FORWARD,W/ HATCHET,PAIR,TB3	1
B1a	MEC140091	BACK CANE BRACKET,ASSY,FLIP FORWARD,UNIVERSAL,RIGHT	1
B1b	MEC140090	BACK CANE BRACKET,ASSY,FLIP FORWARD,UNIVERSAL,LEFT	1
C1	NUTNYLK1026	NUT,NYLOCK,BLACK ZINC,5/16-18	1
C2	DWR1360A002	T-NUT,1/4-20 X 0.5625",A-1360-002	1
C3	SCRASBH1096	SCREW,BHSCS,BLACK ZINC,1/4-20 X 0.625",GRADE 8,W/NYLON PATCH,A-1360-009	1
C4	DWR1005B112	WASHER,COPED,BLACK,NYLON,0.333" ID X 1.00" OD,B-1005-112	1
C5	SCRHHCS1585	SCREW,HHCS,BLACK ZINC,5/16-18 X 2.00",GR 8,W/PATCH	1
C6	SCRHHCS1727	SCREW,HHCS,BLACK ZINC,M8-1.25 X 20MM,GRADE 10.9,W/NYLON PATCH,C-1005-098	1
C7	NUT8120005	NUT,T-SLOT,BLACK,M8-1.25	1
C8	SCRHHCS1241	SCREW,HHCS,BLACK ZINC,5/16-18 X 0.75",GR 8,W/PATCH	1

9. Back Cane & Back Cane Mounted Components

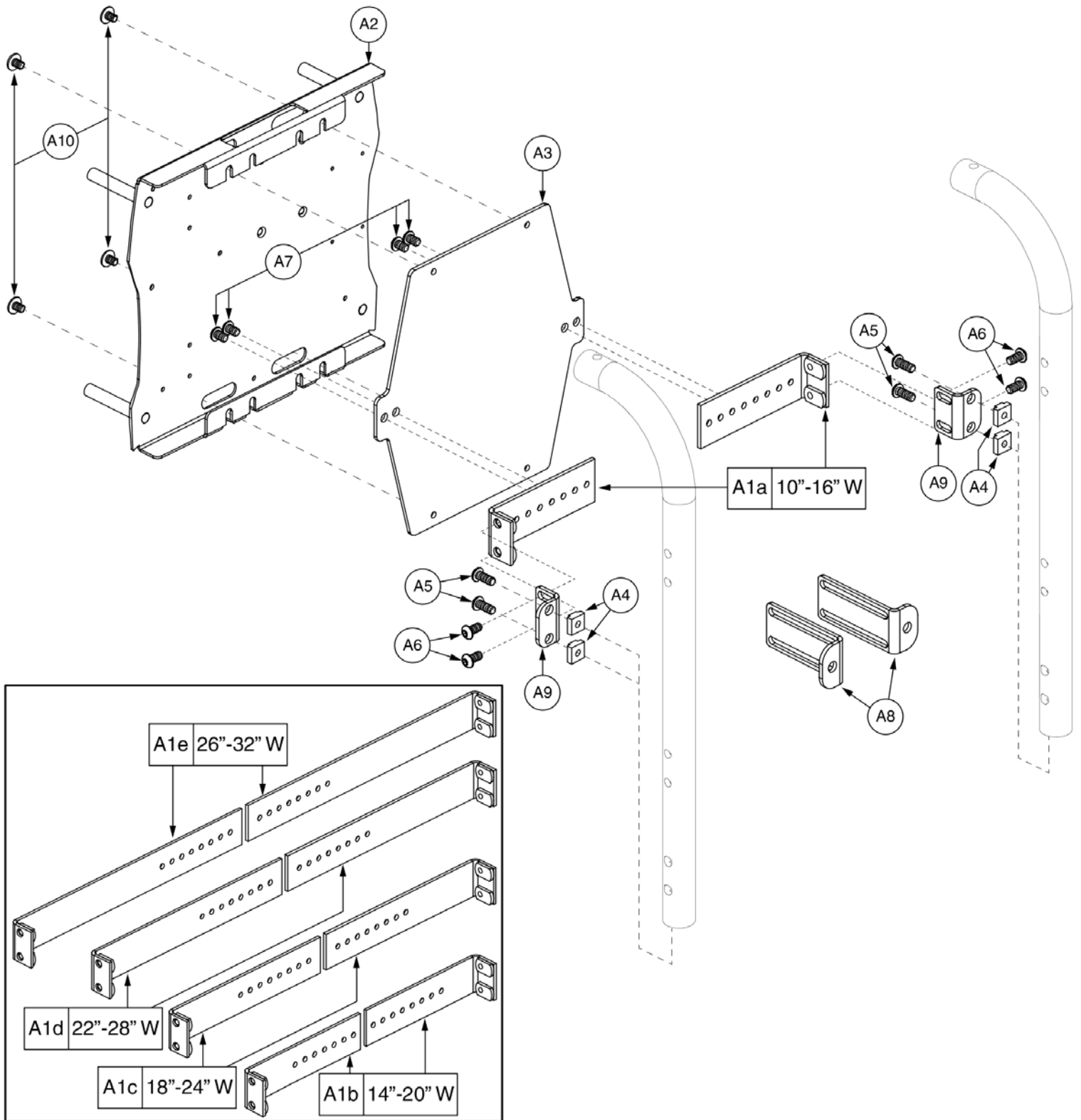


ENDO Back Cane Brackets, TB3



Item	Part No.	Name	Qty
A1	MEC141455	BACK CANE BRACKET,ASSY,ENDOMORPH,1" IN,TB3,PAIR	1
A1a	MEC141458	BACK CANE BRACKET,ASSY,ENDOMORPH,1" IN,TB3,RIGHT	1
A1b	MEC141457	BACK CANE BRACKET,ASSY,ENDOMORPH,1" IN,TB3,LEFT	1
B1	MEC141456	BACK CANE BRACKET,ASSY,ENDOMORPH,2" IN,TB3,PAIR	1
B1a	MEC141460	BACK CANE BRACKET,ASSY,ENDOMORPH,2" IN,TB3,RIGHT	1
B1b	MEC141459	BACK CANE BRACKET,ASSY,ENDOMORPH,2" IN,TB3,LEFT	1
C1	NUTNYLK1026	NUT,NYLOCK,BLACK ZINC,5/16-18	1
C2	DWR1360A002	T-NUT,1/4-20 X 0.5625",A-1360-002	1
C3	SCRASBH1096	SCREW,BHSCS,BLACK ZINC,1/4-20 X 0.625",GRADE 8,W/NYLON PATCH,A-1360-009	1
C4	DWR1005B112	WASHER,COPED,BLACK,NYLON,0.333" ID X 1.00" OD,B-1005-112	1
C5	SCRHHCS1585	SCREW,HHCS,BLACK ZINC,5/16-18 X 2.00",GR 8,W/PATCH	1
C6	SCRHHCS1412	SCREW, HEX HEAD, M8X1.25 X 16, ISO 4014, CL 10.9, BZ, PVTP	1
C7	NUT8120005	NUT,T-SLOT,BLACK,M8-1.25	1

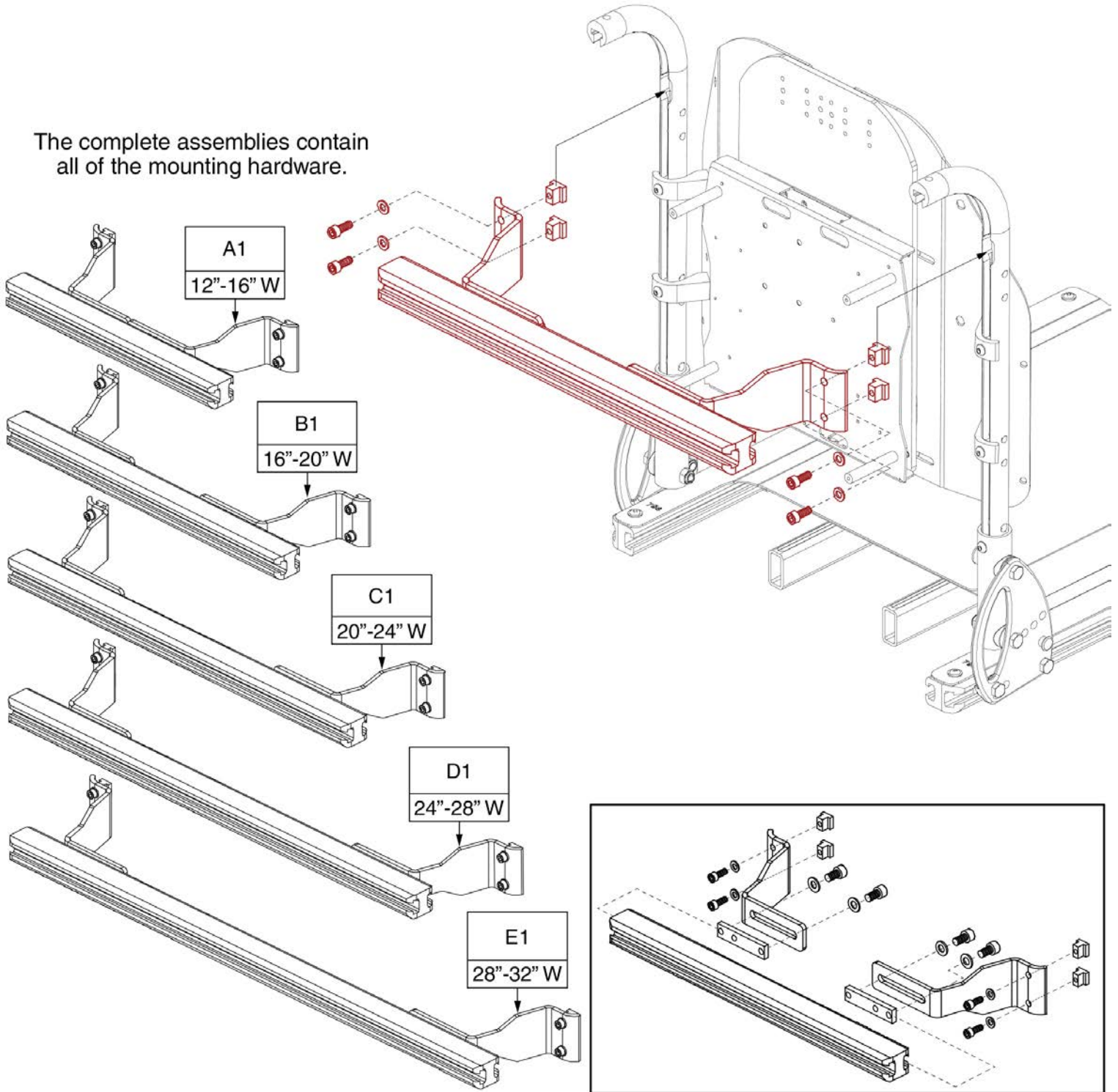
9. Back Cane & Back Cane Mounted Components



Item	Part No.	Name	Qty
A1a - A10	MEC140228	MOUNTING BRACKET,ASSY,ELECTRONICS BOX,NO BACK,W/BACK CANES,10"-16"W,TRU-BALANCE 3	1
A1a		MOUNTING BRACKET WELDMENT,BACK CANE,10"-16",OFFSET	1
A1b - A10	MEC140229	MOUNTING BRACKET,ASSY,ELECTRONICS BOX,NO BACK,W/BACK CANES,14"-20"W,TRU-BALANCE 3	1
A1b		MOUNTING BRACKET WELDMENT,BACK CANE,14"-20",OFFSET,D-1358-026	1
A1c - A10	MEC140230	MOUNTING BRACKET,ASSY,ELECTRONICS BOX,NO BACK,W/BACK CANES,18"-24"W,TRU-BALANCE 3	1
A1c		MOUNTING BRACKET WELDMENT,BACK CANE,18-24",OFFSET,D-1358-027	1
A1d - A10	MEC140231	MOUNTING BRACKET,ASSY,ELECTRONICS BOX,NO BACK,W/BACK CANES,22"-28"W,TRU-BALANCE 3	1
A1d		MOUNTING BRACKET WELDMENT,BACK CANE,22"-28",OFFSET	1
A1e - A10	MEC140233	MOUNTING BRACKET,ASSY,ELECTRONICS BOX,NO BACK,W/BACK CANES,26"-32"W,TRU-BALANCE 3	1
A1e		MOUNTING BRACKET WELDMENT,BACK CANE,26-32",OFFSET	1
A2	MEC138015	WELDMENT,PLATE,ELECTRONICS,STATIC BACK,TRU-BALANCE 3 WITH CANES	1
A3	MEC140044	PLATE B,ELECTRONICS,STATIC BACK,TRU-BALANCE 3 WITH CANES,NO BACK	1
A4	DWR1360A002	T-NUT,1/4-20 X 0.5625",A-1360-002	4
A5	SCRASBH1096	SCREW,BHSCS,BLACK ZINC,1/4-20 X 0.625",GRADE 8,W/NYLON PATCH,A-1360-009	4
A6	SCRASBH1148	SCREW,BHSCS,BLACK ZINC,1/4-20 X 0.50",W/PATCH	4
A7	SCRASBH1157	SCREW,BHSCS,BLACK ZINC,1/4-20 X 0.375",W/NYLON PATCH	4
A8	DWR1358D021	MOUNTING BRACKET,BACK CANE,3" OFFSET ENDPIECE,D-1358-021	2
A9	DWR1358C041	MOUNTING BRACKET,BACK CANE,1" OFFSET ENDPIECE	2
A10	HDW121242	SCREW, BUTTON HEAD, FLANGED, M6X1.0 X 8, ISO 7380-2, CL 10.9, BZ, PVTP	4

9. Back Cane & Back Cane Mounted Components

The complete assemblies contain all of the mounting hardware.



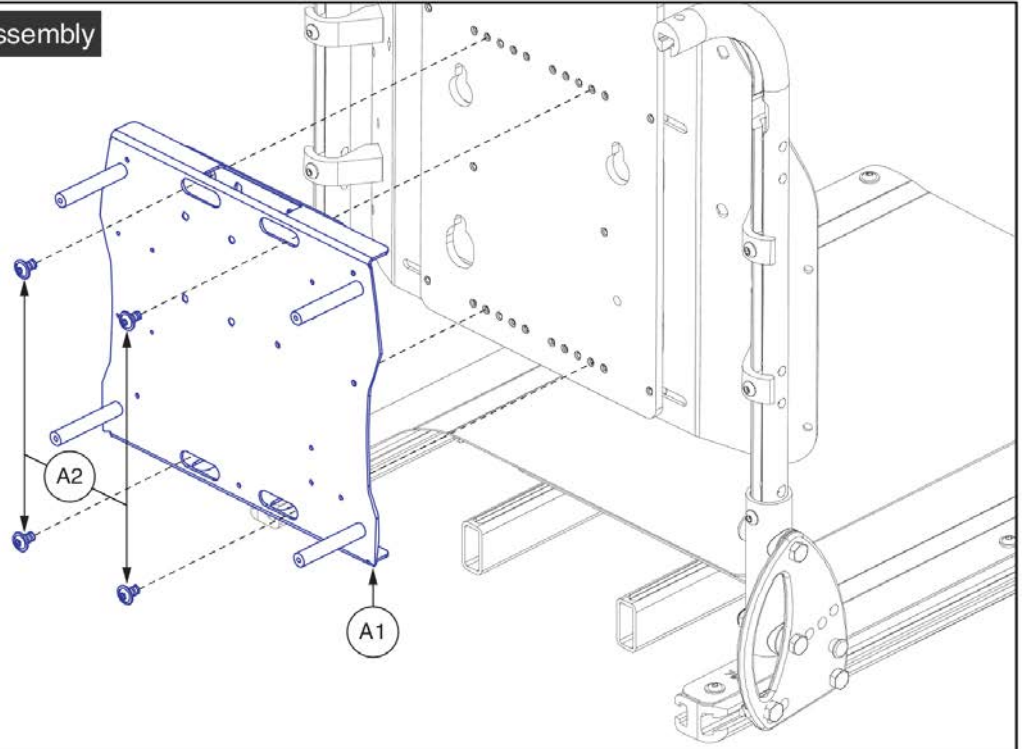
Back Cane Accessory Bars, Synergy Style Canes



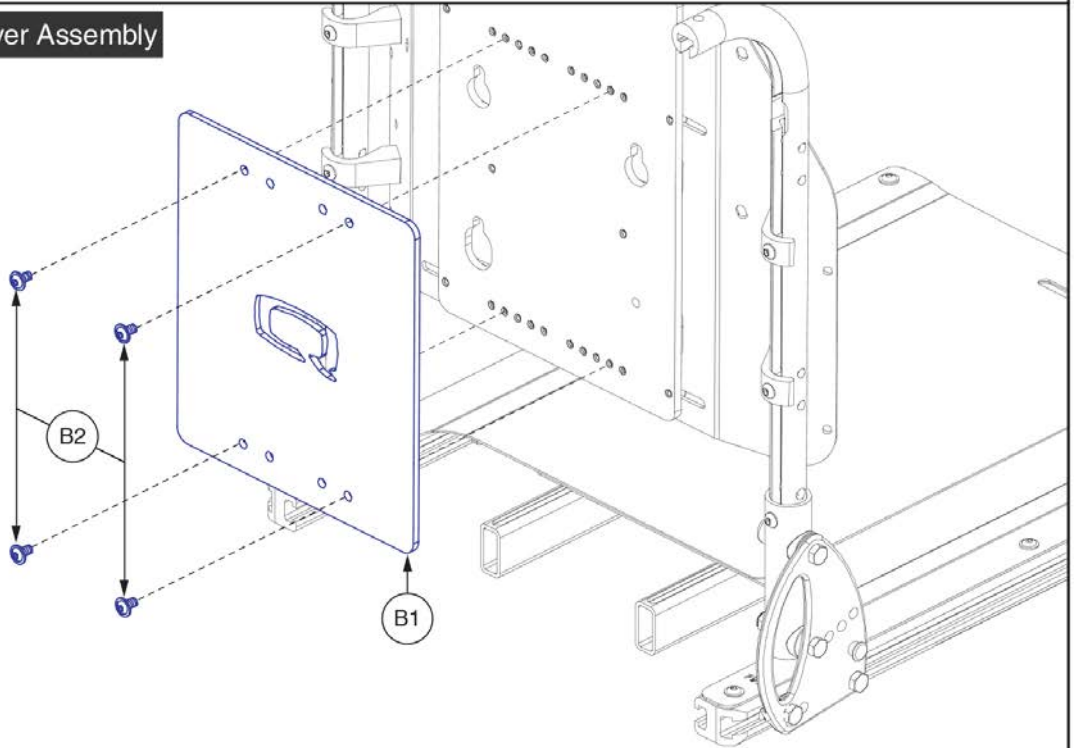
Item	Part No.	Name	Qty
A1	MEC145955	ACCESSORY BAR ASSY,12"-16",TRU-BALANCE 3	1
B1	MEC143975	ACCESSORY BAR ASSY,16"-20",TRU-BALANCE 3	1
C1	MEC146018	ACCESSORY BAR ASSY,20"-24",TRU-BALANCE 3	1
D1	MEC146050	ACCESSORY BAR ASSY,24"-28",TRU-BALANCE 3	1
E1	MEC146051	ACCESSORY BAR ASSY,28"-32",TRU-BALANCE 3	1

9. Back Cane & Back Cane Mounted Components

A1 - A2 Electronics Mounting Plate Assembly

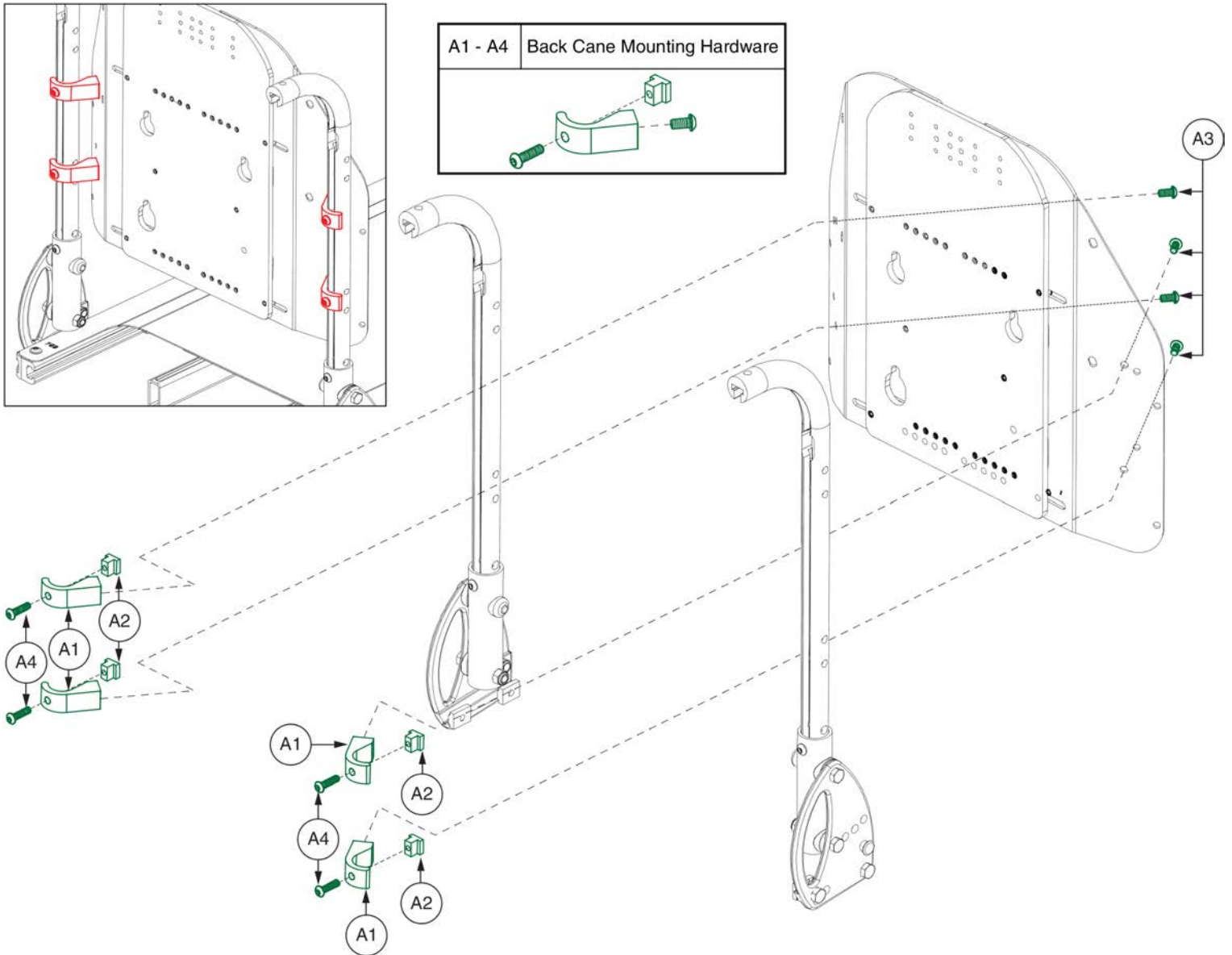


B1 - B2 Static Seat Cosmetic Cover Assembly



Item	Part No.	Name	Qty
A1 - A2	MEC1705549	MOUNTING BRACKET,ASSY,ELECTRONICS BOX,TB3 BACK,W/BACK CANES	1
A1	MEC138015	WELDMENT,PLATE,ELECTRONICS,STATIC BACK,TRU-BALANCE 3 WITH CANES	1
A2	HDW121242	SCREW, BUTTON HEAD, FLANGED, M6X1.0 X 8, ISO 7380-2, CL 10.9, BZ, PVTP	4
B1 - B2	DGN140236	MOUNTING BRACKET,ASSY,STATIC SEAT,W/BACK CANES,TB3	1
B1		COVER,CENTER PLATE,10"W-20"W,TRU-BALANCE 3	1
B2	HDW121242	SCREW, BUTTON HEAD, FLANGED, M6X1.0 X 8, ISO 7380-2, CL 10.9, BZ, PVTP	4

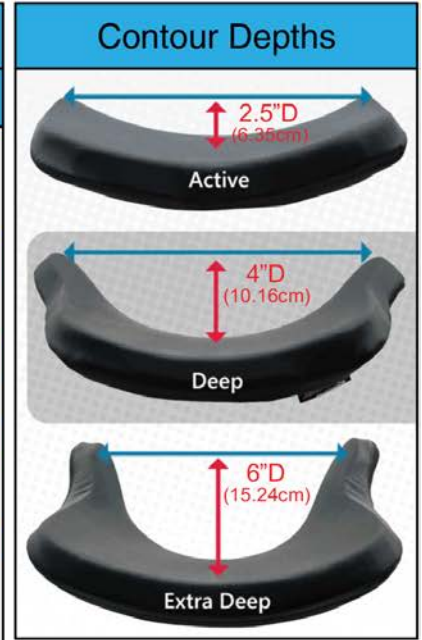
9. Back Cane & Back Cane Mounted Components



Item	Part No.	Name	Qty
A1 - A4	HDW140237	HARDWARE,ASSY, FOR MOUNTING BACK CANES	4
A1	DWR1306C024	BACK PLATE BRACKET,T-SLOT,1",C-1306-024	1
A2	DWR1359B003	T-NUT,BLACK,1/4-20 X 0.563",0.50" TH,B-1359-003	1
A3	SCRASBH1148	SCREW,BHSCS,BLACK ZINC,1/4-20 X 0.50",W/PATCH	1
A4	SCRASBH1209	SCREW,BHSCS,BLACK ZINC,1/4-20 X .875",GR 8,W/PATCH	1

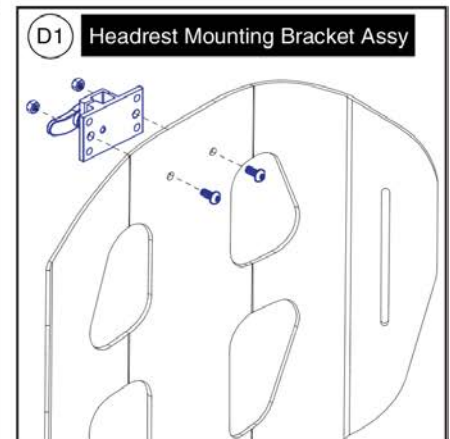
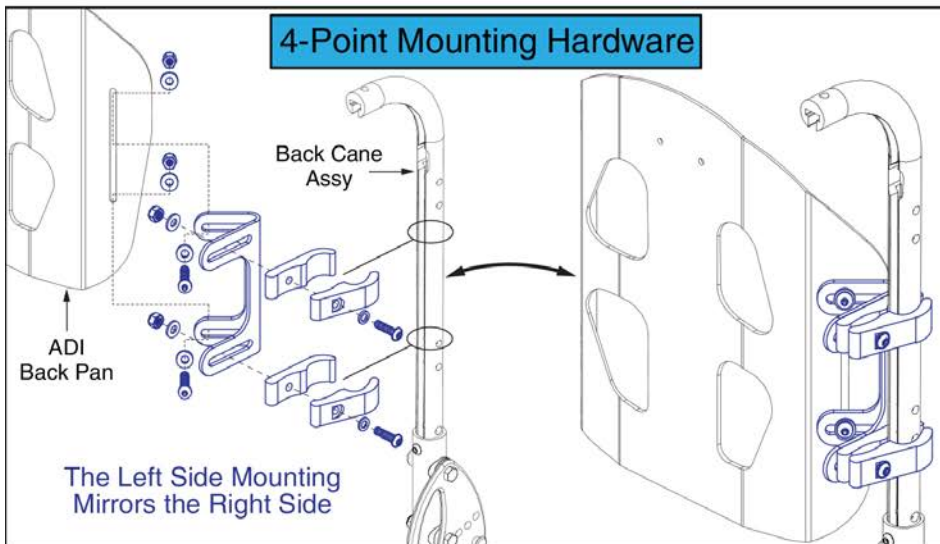
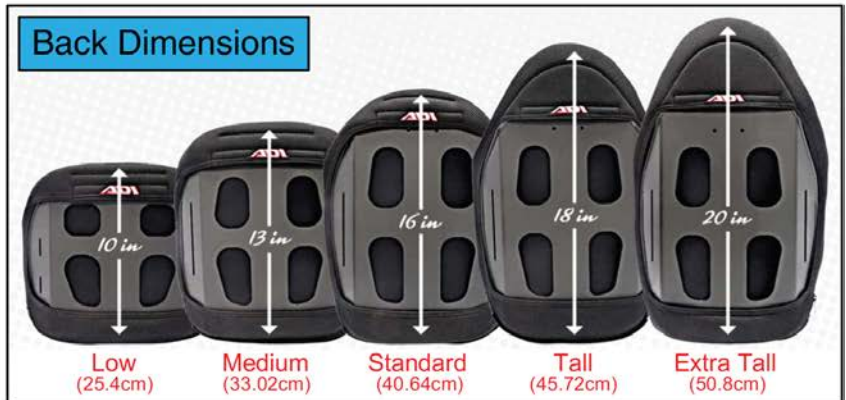
Stealth ADI Seat Backs, Back Cane Mounted

Stealth ADI Seat Back Assy's								
The assy's include the Back Pan, Back Cushion, and the 4-Point Mounting Hardware. Individual components are not available from replacement.								
Active Contour			Deep Contour			Extra Deep Contour		
Ref	Back Size	Config.	Ref	Back Size	Config.	Ref	Back Size	Config.
A1	14"W x 10"H	Low	B1	14"W x 10"H	Low	C1	16"W x 18"H	Tall
A2	14"W x 13"H	Medium	B2	14"W x 13"H	Medium	C2	16"W x 20"H	Ex. Tall
A3	16"W x 16"H	Std.	B3	16"W x 16"H	Std.	C3	18"W x 16"H	Std.
A4	16"W x 18"H	Tall	B4	16"W x 18"H	Tall	C4	18"W x 18"H	Tall
A5	16"W x 20"H	Ex. Tall	B5	16"W x 20"H	Ex. Tall	C5	18"W x 20"H	Ex. Tall
A6	18"W x 16"H	Std.	B6	18"W x 16"H	Std.	C6	20"W x 16"H	Std.
A7	18"W x 18"H	Tall	B7	18"W x 18"H	Tall	C7	20"W x 18"H	Tall
A8	18"W x 20"H	Ex. Tall	B8	18"W x 20"H	Ex. Tall	C8	20"W x 20"H	Ex. Tall
A9	20"W x 16"H	Std.	B9	20"W x 16"H	Std.			
A10	20"W x 18"H	Tall	B10	20"W x 18"H	Tall			
A11	20"W x 20"H	Ex. Tall	B11	20"W x 20"H	Ex. Tall			



Back Height Matrix			
ADI Back Height	Overall Seat Back Height ¹	TB3 Back Cane Height	Synergy/TBFlex Back Cane Height
10"H	13" or 14"	16"	16"
13"H	16" or 17"	17"	17" or 18"
16"H	19" or 20"	20" or 21"	20" to 22"
18"H	21" or 22"	24"	22" to 24"
20"H	23" or 24"	24" or 25"	24" or 25"

¹ The sizes represent a cushion to pan gap of 3" for odd sized overall back heights and 4" for even sized overall back heights.



Stealth ADI Seat Backs, Cane Mounted



Item	Part No.	Name	Qty
A1	ALBR14LA4	ADI BACK,AL SERIES,ACTIVE CONTOUR,4-POINT,14"W,10"H	1
A2	ALBR14MA4	ADI BACK,AL SERIES,ACTIVE CONTOUR,4-POINT,14"W,13"H	1
A3	ALBR16SA4	ADI BACK,AL SERIES,ACTIVE CONTOUR,4-POINT,16"W,16"H	1
A4	ALBR16TA4	ADI BACK,AL SERIES,ACTIVE CONTOUR,4-POINT,16"W,18"H	1
A5	ALBR16XA4	ADI BACK,AL SERIES,ACTIVE CONTOUR,4-POINT,16"W,20"H	1
A6	ALBR18SA4	ADI BACK,AL SERIES,ACTIVE CONTOUR,4-POINT,18"W,16"H	1
A7	ALBR18TA4	ADI BACK,AL SERIES,ACTIVE CONTOUR,4-POINT,18"W,18"H	1
A8	ALBR18XA4	ADI BACK,AL SERIES,ACTIVE CONTOUR,4-POINT,18"W,20"H	1
A9	ALBR20SA4	ADI BACK,AL SERIES,ACTIVE CONTOUR,4-POINT,20"W,16"H	1
A10	ALBR20TA4	ADI BACK,AL SERIES,ACTIVE CONTOUR,4-POINT,20"W,18"H	1
A11	ALBR20XA4	ADI BACK,AL SERIES,ACTIVE CONTOUR,4-POINT,20"W,20"H	1
B1	ALBR14LD4	ADI BACK,AL SERIES,DEEP CONTOUR,4-POINT,14"W,10"H	1
B2	ALBR14MD4	ADI BACK,AL SERIES,DEEP CONTOUR,4-POINT,14"W,13"H	1
B3	ALBR16SD4	ADI BACK,AL SERIES,DEEP CONTOUR,4-POINT,16"W,16"H	1
B4	ALBR16TD4	ADI BACK,AL SERIES,DEEP CONTOUR,4-POINT,16"W,18"H	1
B5	ALBR16XD4	ADI BACK,AL SERIES,DEEP CONTOUR,4-POINT,16"W,20"H	1
B6	ALBR18SD4	ADI BACK,AL SERIES,DEEP CONTOUR,4-POINT,18"W,16"H	1
B7	ALBR18TD4	ADI BACK,AL SERIES,DEEP CONTOUR,4-POINT,18"W,18"H	1
B8	ALBR18XD4	ADI BACK,AL SERIES,DEEP CONTOUR,4-POINT,18"W,20"H	1
B9	ALBR20SD4	ADI BACK,AL SERIES,DEEP CONTOUR,4-POINT,20"W,16"H	1
B10	ALBR20TD4	ADI BACK,AL SERIES,DEEP CONTOUR,4-POINT,20"W,18"H	1
B11	ALBR20XD4	ADI BACK,AL SERIES,DEEP CONTOUR,4-POINT,20"W,20"H	1
C1	ALBR16T64	ADI BACK,AL SERIES,EXTRA DEEP CONTOUR,4-POINT,16"W,18"H	1
C2	ALBR16X64	ADI BACK,AL SERIES,EXTRA DEEP CONTOUR,4-POINT,16"W,20"H	1
C3	ALBR18S64	ADI BACK,AL SERIES,EXTRA DEEP CONTOUR,4-POINT,18"W,16"H	1
C4	ALBR18T64	ADI BACK,AL SERIES,EXTRA DEEP CONTOUR,4-POINT,18"W,18"H	1
C5	ALBR18X64	ADI BACK,AL SERIES,EXTRA DEEP CONTOUR,4-POINT,18"W,20"H	1
C6	ALBR20S64	ADI BACK,AL SERIES,EXTRA DEEP CONTOUR,4-POINT,20"W,16"H	1
C7	ALBR20T64	ADI BACK,AL SERIES,EXTRA DEEP CONTOUR,4-POINT,20"W,18"H	1
C8	ALBR20X64	ADI BACK,AL SERIES,EXTRA DEEP CONTOUR,4-POINT,20"W,20"H	1
D1	SET167884	HEADREST BRACKET MOUNTING HARDWARE,ASSY,STEALTH,Q-BACK 1	1

10. Headrest Assy's, Mounts, & Pads

<p>Offset Mounting Kit</p> <p>A1</p>	<p>B1 Pediatric Mounting Kit</p>	<p>C1 Comfort Plus Mounting Kit</p> <p>No Longer Available.</p>	<p>D1 Ultra Adjustable Channel Headrest Mount</p> <p>No Longer Available.</p>	<p>E1 Flip-down, Swing-away Headrest Mounting Bracket</p>											
		<p>F1 Mounting Bracket TB2/Synergy/Q-Back 2</p>	<p>G1 Mounting Bracket, TB3</p>	<p>H1 Mounting Bracket, Q-Back 1</p> <p>Not for use with Q-Back 2</p>	<p>AA1 Pediatric Headrest</p>										
<p>I1 Ultra Occipital Pad</p> <p>No Longer Available.</p>	<p>J1 Ultra Sub-Occipital Pad</p>	<p>Facial Pad</p> <table border="1"> <tr> <td>K1</td> <td>4.5" x 2"</td> </tr> <tr> <td>L1</td> <td>6" x 2"</td> </tr> </table>	K1	4.5" x 2"	L1	6" x 2"	<p>M1 Small Contoured Headrest</p> <p>No Longer Available.</p>	<p>N1 Large Contoured Headrest</p> <p>No Longer Available.</p>	<p>Comfort Plus Headrests</p> <table border="1"> <tr> <td>O1</td> <td>8"</td> </tr> <tr> <td>P1</td> <td>10"</td> </tr> <tr> <td>Q1</td> <td>14"</td> </tr> </table>	O1	8"	P1	10"	Q1	14"
K1	4.5" x 2"														
L1	6" x 2"														
O1	8"														
P1	10"														
Q1	14"														
<p>R1 Comfort Series Right Swing-away Facial Lateral</p>	<p>S1 Comfort Series Left Swing-away Facial Lateral</p>	<p>T1 Comfort Series Right & Left Swing-away Facial Lateral</p>	<p>U1 Egg Switch Mount for Lateral Facial</p>												
<p>V1 Ultra & Combo Series Right & Left Swing-away Facial Lateral</p>	<p>W1 Ultra & Combo Series Right Swing-away Facial Lateral</p>	<p>X1 Ultra & Combo Series Left Swing-away Facial Lateral</p>													
<p>Y1 18" Rod Swing-away Joystick Mount</p>	<p>Z1 Figure 8 w/13" Rod and Egg Switch Mount</p>														

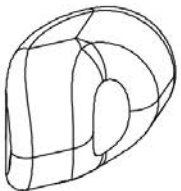
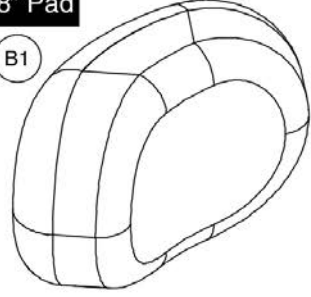
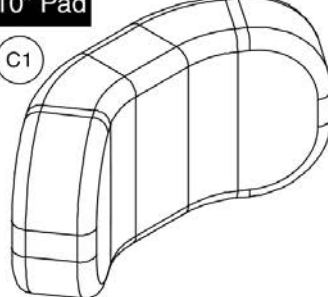
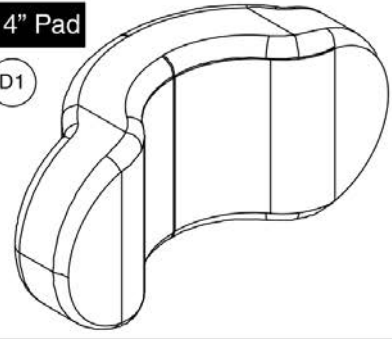
STEALTH Headrest Brackets and Pads



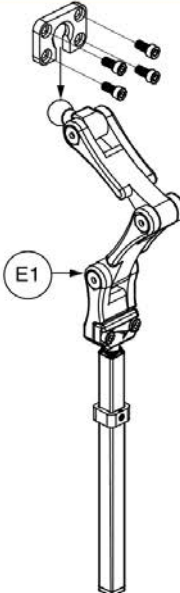
Item	Part No.	Name	Qty
A1	HDWASMB1084	KIT,QUANTUM REHAB, OFFSET HEADREST,(STEALTH: HMO475P)	1
B1	HDWASMB1166	KIT,QUANTUM REHAB,OFFSET HEADREST,PEDIATRIC,(STEALTH: HMO475P-17)	1
C1	FRMASMB15999	HARDWARE KIT,ASSY,HEADREST MOUNT,COMFORT PLUS,W/REMOVABLE MOUNTING HARDWARE,(STEALTH: TWB485-1)	1
D1		HEADREST,MOUNT,ADJUSTABLE ULTRA CHANNEL,W/17MM HORIZONTAL BAR,(STEALTH: SU980)	1
E1	INDPART2219	HEADREST,MOUNT,SWING AWAY,(FLIP DOWN),STEALTH,(FDM350)	1
F1	SET150325	HEADREST BRACKET MOUNTING HARDWARE,ASSY,STEALTH,SYNERGY/TRU-BALANCE 2/Q-BACK 2	1
G1	SET150326	HEADREST BRACKET MOUNTING HARDWARE,ASSY,STEALTH,TRUBALANCE 3	1
H1	SET167884	HEADREST BRACKET MOUNTING HARDWARE,ASSY,STEALTH,Q-BACK 1	1
I1		HEADREST,PAD,OCCIPITAL,6" X 3.75",STEALTH ULTRA,(STEALTH:500)	1
J1	SETHEAD1071	HEADREST,PAD,SUB-OCCIPITAL,8.5" X 2.75",STEALTH ULTRA,(STEALTH:600)	1
K1	ST-900-Q	FACIAL PAD,4.5" X 2"	1
L1	ST-920-Q	FACIAL PAD,6" X 2"	1
M1	SETHEAD1052	HEADREST,SMALL,CONTOURED,(STEALTH: STL-OTSM250)	1
N1	SETHEAD1053	HEADREST,LARGE,CONTOURED,(STEALTH: STL-OTLG150)	1
O1	POS148484	HEADREST,PAD,8",COMFORT PLUS,(STEALTH:CP450)	1
P1	SETHEAD1057	HEADREST,PAD,10IN,COMFORT PLUS,(STEALTH: CP250)	1
Q1	INDPART2327	HEADREST,PAD,14",COMFORT PLUS,(STEALTH:CP150)	1
R1	INDPART2647	FACIAL LATERAL,SWING AWAY,COMFORT PLUS SERIES,RIGHT,(STEALTH: CPS9-R)	1
S1	INDPART2648	FACIAL LATERAL,SWING AWAY,COMFORT PLUS SERIES,LEFT,(STEALTH: CPS9-L)	1
T1	INDPART2649	FACIAL LATERAL,SWING AWAY,COMFORT PLUS SERIES,LEFT & RIGHT,(STEALTH: CPS9-B-HW)	1
U1	INDPART2815	EGG SWITCH MOUNT FOR LATERAL FACIAL,(STEALTH:ESM)	1
V1	INDPART2715	HEADREST,MOUNT,SWING AWAY,STEALTH ULTRA & COMBO SERIES,(STEALTH:SUS9-B)	1
W1	POS148480	HEADREST MOUNT,SWING AWAY,STEALTH ULTRA & COMBO SERIES,RIGHT,(STEALTH:SUS9-R-HW)	1
X1	POS150617	HEADREST MOUNT,SWING AWAY,STEALTH ULTRA & COMBO SERIES,LEFT,(STEALTH:SUS9-L-HW)	1
Y1	ST-SUS18-Q	SWING AWAY JOYSTICK MOUNT,18" ROD,STEALTH HEADREST	1
Z1	ST-F8675-13-Q	FIGURE 8 WITH 13" ROD AND EGG SWITCH MOUNT	1
AA1	SETHEAD1069	HEADREST,PEDIATRIC,6"L X 4.5"H,(STEALTH: CPN350)	1

10. Headrest Assy's, Mounts, & Pads

Comfort Plus Cool Core Headrest Pads

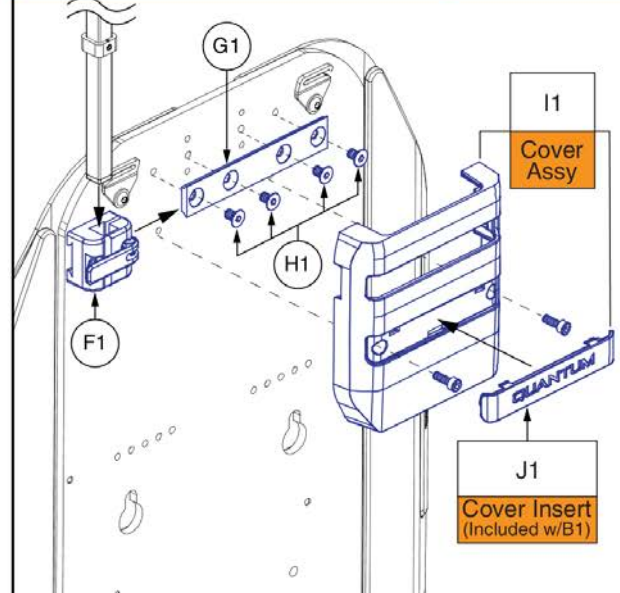
<p>6" Pediatric Pad</p> <p>(A1)</p> 	<p>8" Pad</p> <p>(B1)</p> 	<p>10" Pad</p> <p>(C1)</p> 	<p>14" Pad</p> <p>(D1)</p> 
------------------------------------------------------------------------------------------------------------------------------	--------------------------------------------------------------------------------------------------------------------	----------------------------------------------------------------------------------------------------------------------	-----------------------------------------------------------------------------------------------------------------------

Comfort Plus Unilink Headrest Mount

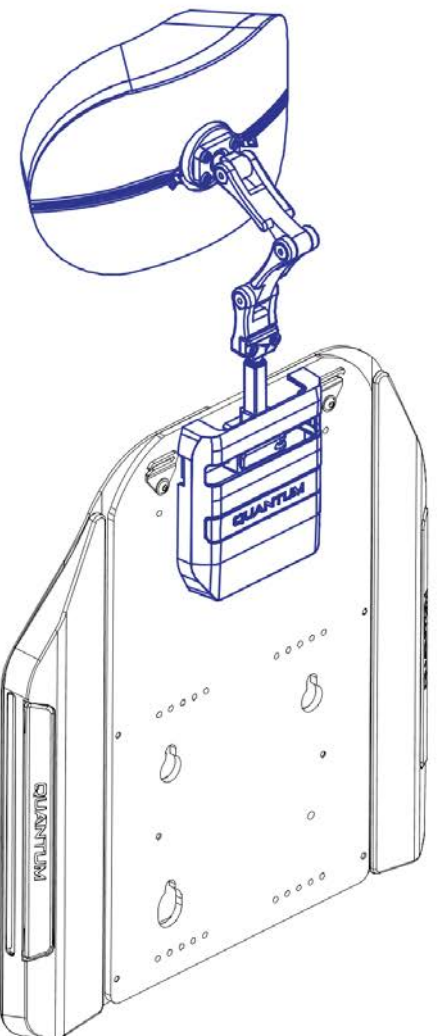


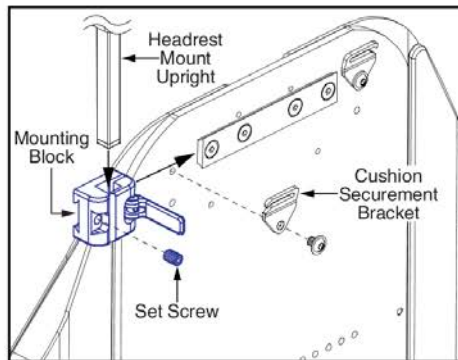
(E1)

Mounting Block, Dovetail Track, & Cover/Insert Assy



(G1), (H1), (F1), (I1) Cover Assy, (J1) Cover Insert (Included w/B1)



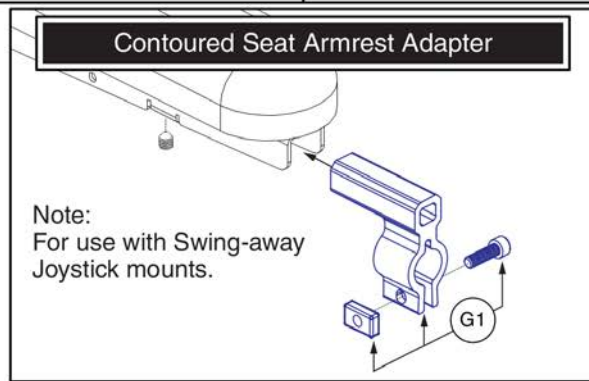
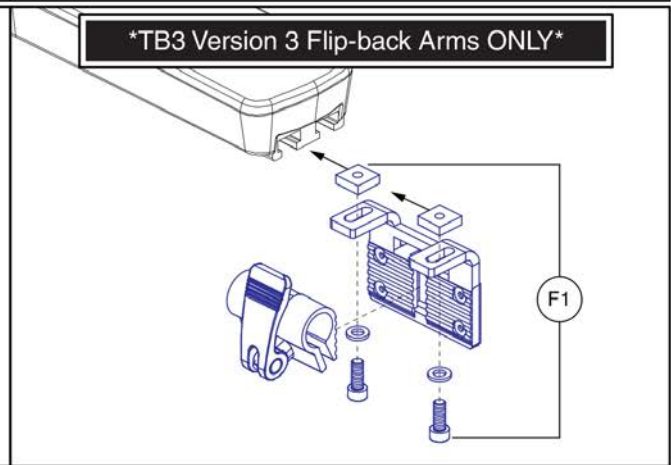
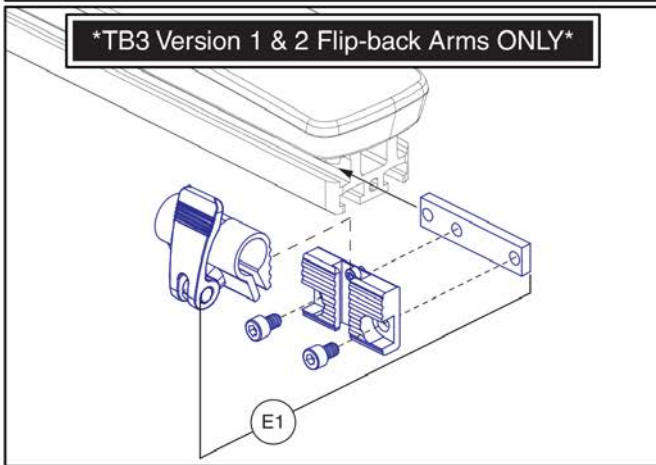
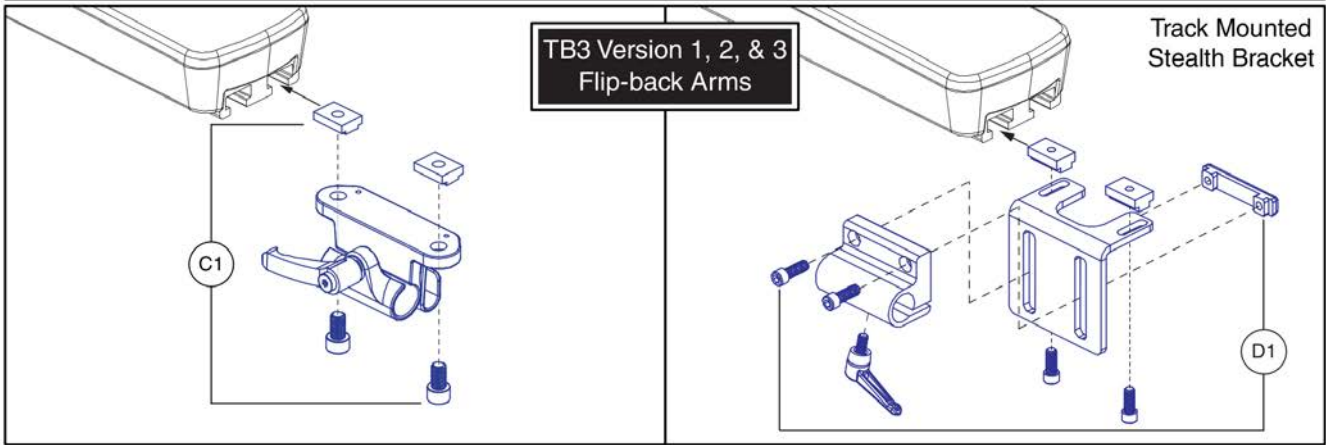
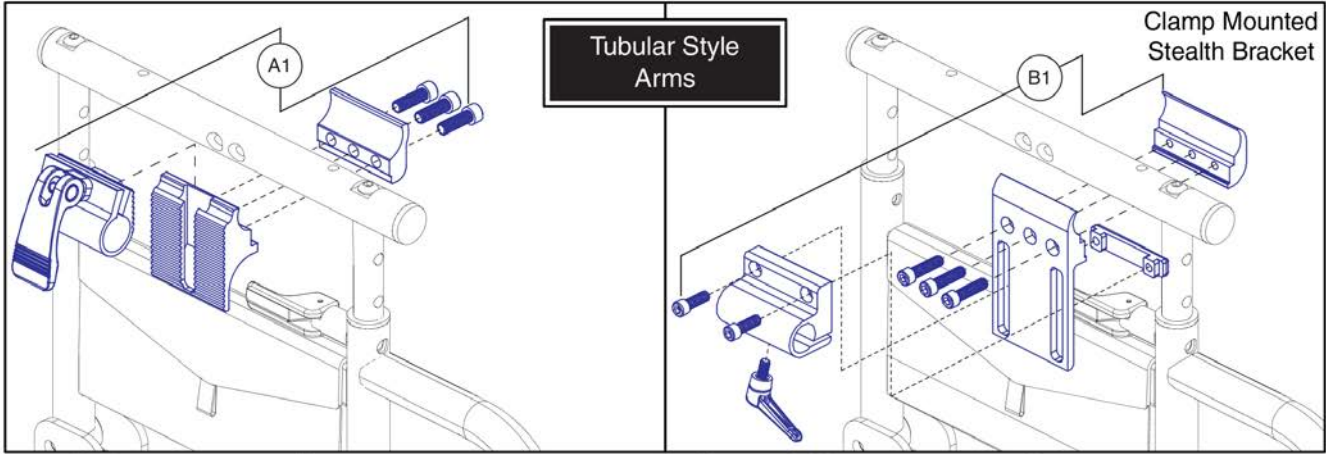


Headrest Mount Upright, Mounting Block, Cushion Securement Bracket, Set Screw

- The set screw under the release lever secures the mounting block onto the dovetail track and provides lateral adjustment.
- The lever secures the headrest mount upright to the block.
- To replace the mounting block:
 - Remove the back pan Assy from the back.
 - Remove the cover Assy from the back pan.
 - Remove one of the cushion securement brackets.
 - Loosen the set screw and slide the mount off of the dovetail track.

Item	Part No.	Name	Qty
A1	ST-CP06CCFPM-Q	HEADREST,PAD,PEDIATRIC,6",COMFORT PLUS,COOL CORE,(STEALTH:CP06CCFPM)	1
B1	ST-CP08CCFPM-Q	HEADREST,PAD,8",COMFORT PLUS,COOL CORE(STEALTH:CP08CCFPM)	1
C1	ST-CP10CCFPM-Q	HEADREST,PAD,10",COMFORT PLUS,COOL CORE,(STEALTH:CP10CCFPM)	1
D1	ST-CP14CCFPM-Q	HEADREST,PAD,14",COMFORT PLUS,COOL CORE,(STEALTH:CP14CCFPM)	1
E1	ST-UHB2D33200-Q	HARDWARE KIT,ASSY,HEADREST MOUNT,COMFORT PLUS,UNILINK MOUNTING HARDWARE,(STEALTH:ST-UHB2D33200-Q)	1
F1	ST-SBM-DT-Q	HEADREST BRACKET MOUNTING HARDWARE,ASSY,REDESIGNED BACK,(STEALTH:SBM-DT)	1
G1	MEC1903499	DOVETAIL TRACK WITH CLEAT	1
H1	SCRSHFH1190	SCREW,SHFH,BLACK ZINC,M6-1.0 X 10MM,W/NYLON PATCH	4
I1	MEC1907221	HEADREST COVER,PLASTIC INSERT,ASSEMBLY,REDESIGNED BACK	1
J1	DGN1800764-PBK3	HEADREST COVER,PLASTIC INSERT,PPW-BLK-03(NIGHT TRAIN),(DGN1800764)	1

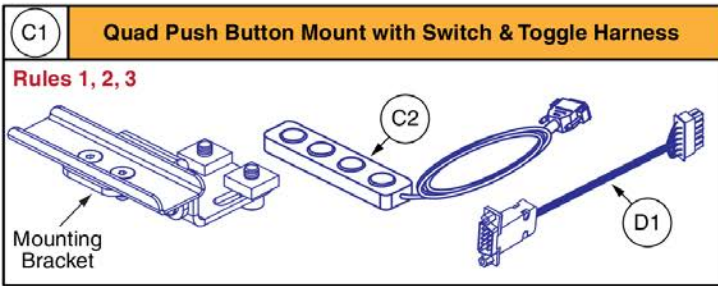
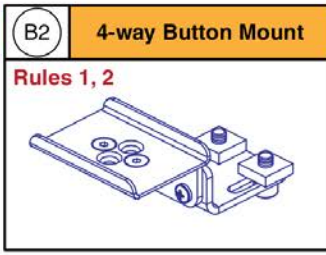
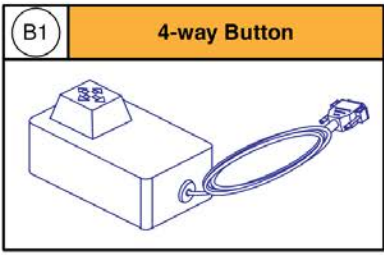
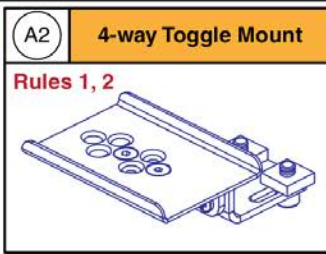
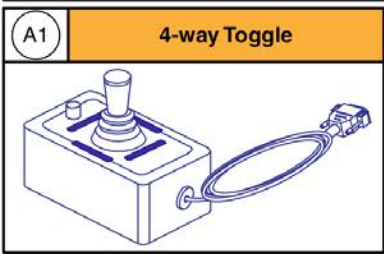
11. Joystick Receivers & Buddy Button Mounts



Item	Part No.	Name	Qty
A1	FRMASMB16062	JOYSTICK RECEIVER MOUNT,ASSY,UNIVERSAL,ADJUSTABLE BLOCK,D-1000-313	1
B1	ST-ARM250C-Q	JOYSTICK MOUNT,ASSY,HEIGHT ADJUSTABLE,W/CLAMP HARDWARE	1
C1	MEC1809294	JOYSTICK RECEIVER MOUNT,ASSY,W/MOUNTING HARDWARE,ADJUSTABLE HANDLE	1
D1	ST-ARM250T-Q	JOYSTICK MOUNT,ASSY,HEIGHT ADJUSTABLE,W/TRACK HARDWARE	1
E1	ACC123525	JOYSTICK RECEIVER MOUNT,ASSY,W/ACCESSORY BLOCK,TRUBALANCE 3	1
F1	ACC1806853	JOYSTICK RECEIVER MOUNT,ASSY,W/MOUNTING HARDWARE,TRU-BALANCE 3 ARMREST	1
G1	MEC146133	ARMREST ADAPTER ASSEMBLY	1

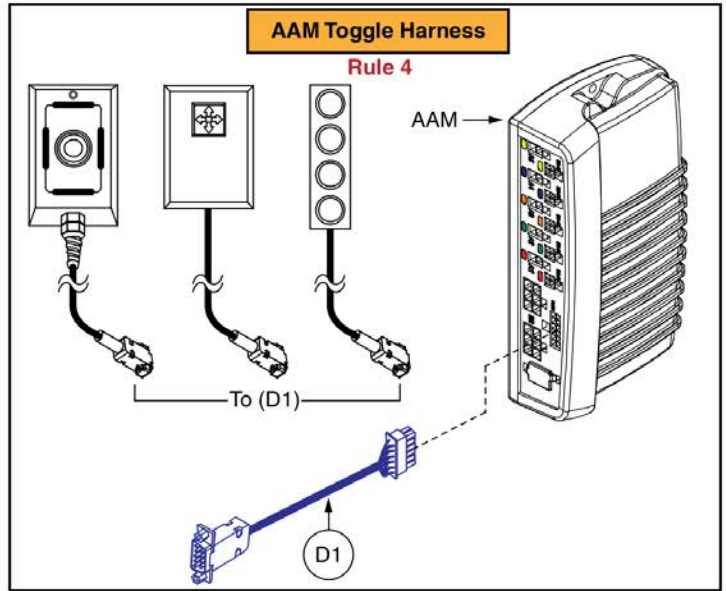
11. Joystick Receivers & Buddy Button Mounts

Controls and Mounting Brackets

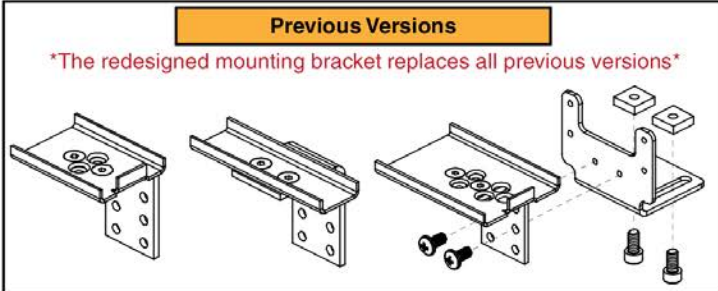
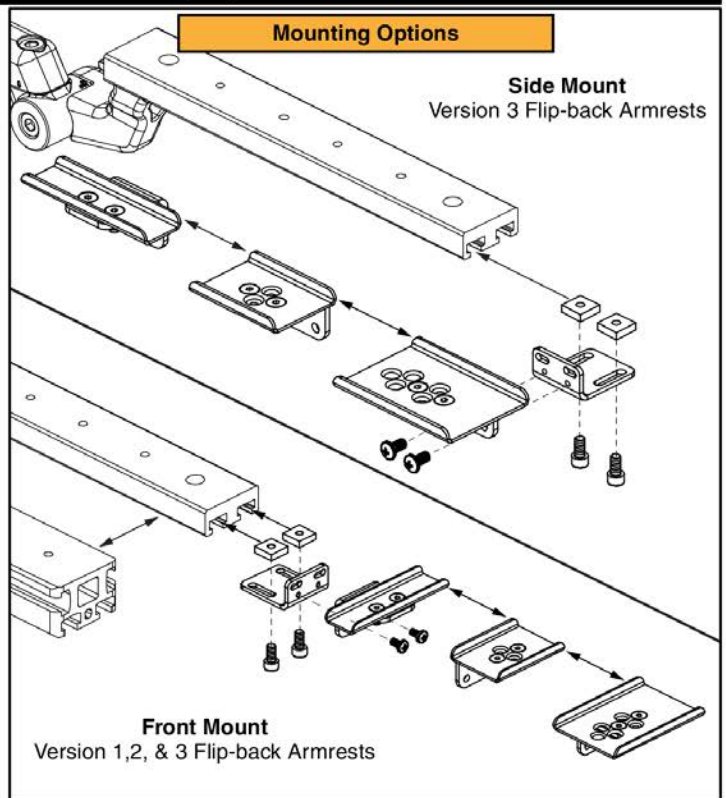
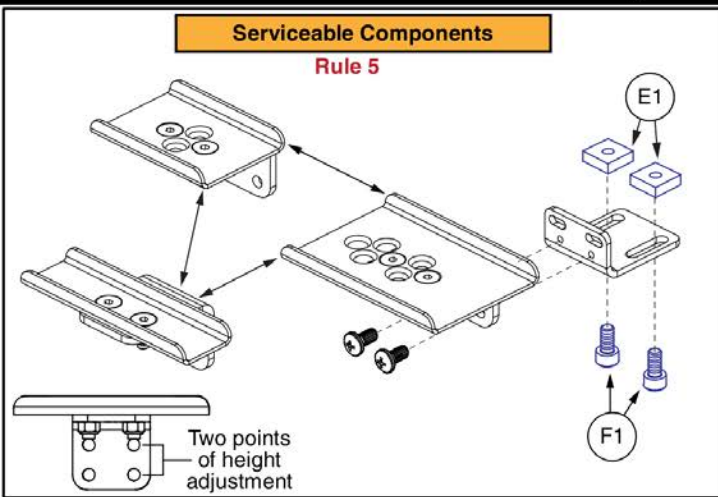


Rules:

1. Includes the armrest mounting hardware E1 & F1.
2. Used with ALL versions of the TB3 Flip-back armrests.
3. The complete assembly C1 includes the mounting bracket, switch, and harness. The mounting bracket is NOT available individually.
4. Used with Q-Logic 1, 2, & 3 AAM modules.
5. Only serviceable components contain callouts. For components without callouts the complete assembly must be selected.



Serviceable Components and Mounting Options



Seating Controls and Mounts, TB3 Arms

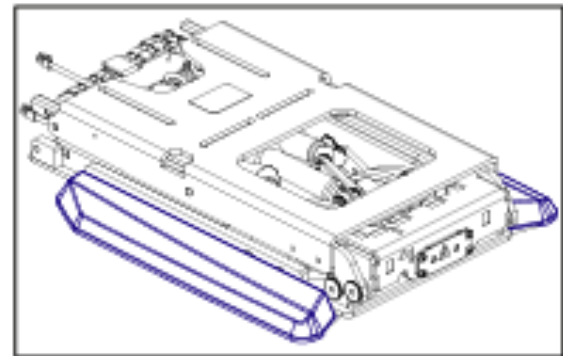
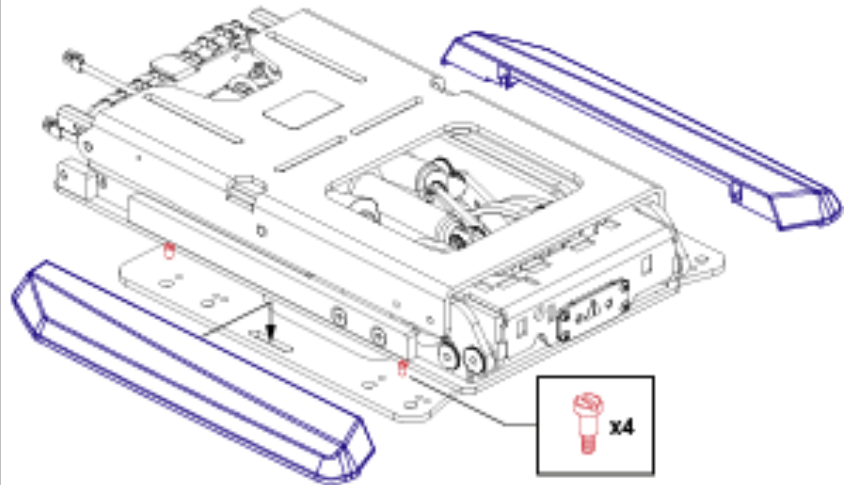


Item	Part No.	Name	Qty
A1	SWTMCRO1099	ELECTRONIC,SWITCH,4-WAY TOGGLE,(PME: M26)	1
A2	MEC137995	MOUNTING BRACKET,ASSY,4-WAY TOGGLE SWITCH,TB3 ARMREST	1
B1	SWTMCRO1100	ELECTRONIC,SWITCH,4-WAY BUTTON TOGGLE,(PME: S12)	1
B2	MEC137996	MOUNTING BRACKET,ASSY,4-WAY BUTTON TOGGLE SWITCH,TB3 ARMREST	1
C1	MEC1810668	MOUNTING BRACKET,ASSY,QUAD PUSH BUTTON,SIDE MOUNT,TB3/FLIP-BACK ARMREST	1
C2	SWTMCRO1098	ELECTRONIC,SWITCH,QUAD PUSH BUTTON,(PME: S24)	1
D1	DWR1265H038	ELECTRONIC,HARNES, CURTIS/AAM,4 WAY TOGGLE,H-1265-038	1
E1	MEC131114	SQUARE NUT,T-SLOT, M6X1.0	2
F1	SCRSHCS1095	SCREW,SHCS,BLACK ZINC,M6-1.0 X 12MM,GR 10.9,W/PATCH	2

12. Painted Side Covers (REAC L&T)

4Front Lift Base Side Cover Assy's
(Includes 1 pair of covers and hardware)

Ref#	Color Name	Part Suffix	Color Code
A1	Back in Black	PBK1	PPW-BLK-01
B1	Night Train	PBK3	PPW-BLK-03
C1	Grey Street	PSL3	PPW-SIL-03
D1	Silver Bullet	PSL7	PPW-SIL-07
E1	White Satin	PWT2	PPW-WHT-02
F1	Red Corvette	PRD1	PPW-RED-01
G1	Cherry Bomb	PRD4	PPW-RED-04
H1	Pretty in Pink	PPK3	PPW-PNK-03
I1	Raspberry Beret	PPK4	PPW-PNK-04
J1	Sugar Plum	PPR7	PPW-PRP-07
K1	Deep Purple	PPR5	PPW-PRP-05
L1	Midnight Blue	PBU10	PPW-BLU-10
M1	Electric Blue	PBU9	PPW-BLU-09
N1	Blue Jean	PBU11	PPW-BLU-11
O1	Green Machine	PGN11	PPW-GRN-11
P1	Military Green	PGN8	PPW-GRN-08
Q1	Lime Light	PGN7	PPW-GRN-07
R1	Yellow Blaze	PYL3	PPW-YEL-03
S1	Lemon Crush	PYL4	PPW-YEL-04
T1	Orange Crush	POR8	PPW-ORN-06
U1	Evolution Orange	POR7	PPW-ORN-07
V1	Carbon Fiber	WCB1	PWT-CBN-01
W1	Digital Camo	WCM7	PWT-CMO-07
X1	Faded Glory	WFL2	PWT-FLG-02



4Front Painted Side Covers, REAC Lift / I-Level

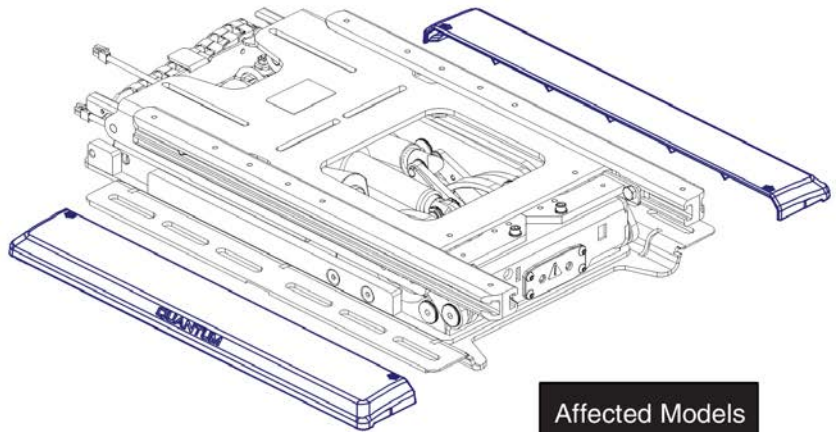


Item	Part No.	Name	Qty
A1	DGN1800061	Q4FRONT TB3 LIFT SIDE SHROUD,PPW-BLK-01(BACK IN BLACK/BLACK),PAIR(DGN1700146 & DGN1700147),W/HARDWARE	1
B1	DGN1800062	Q4FRONT TB3 LIFT SIDE SHROUD,PPW-BLK-03(NIGHT TRAIN),PAIR(DGN1700146 & DGN1700147),W/HARDWARE	1
C1	DGN1800071	Q4FRONT TB3 LIFT SIDE SHROUD,PPW-SIL-03(GREY STREET),PAIR(DGN1700146 & DGN1700147),W/HARDWARE	1
D1	DGN1800072	Q4FRONT TB3 LIFT SIDE SHROUD,PPW-SIL-07(SILVER BULLET),PAIR(DGN1700146 & DGN1700147),W/HARDWARE	1
E1	DGN1800073	Q4FRONT TB3 LIFT SIDE SHROUD,PPW-WHT-02(WHITE SATIN),PAIR(DGN1700146 & DGN1700147),W/HARDWARE	1
F1	DGN1800070	Q4FRONT TB3 LIFT SIDE SHROUD,PPW-RED-01(RED CORVETTE/CANDY APPLE RED),PAIR(DGN1700146 & DGN1700147),W/HARDWARE	1
G1	DGN1905045	Q4FRONT TB3 LIFT SIDE SHROUD,PPW-RED-04(CHERRY BOMB),PAIR(DGN1700146 & DGN1700147),W/HARDWARE	1
H1	DGN1800068	Q4FRONT TB3 LIFT SIDE SHROUD,PPW-PNK-03(PRETTY IN PINK),PAIR(DGN1700146 & DGN1700147),W/HARDWARE	1
I1	DGN1905048	Q4FRONT TB3 LIFT SIDE SHROUD,PPW-PNK-04(RASPBERRY BERET),PAIR(DGN1700146 & DGN1700147),W/HARDWARE	1
J1	DGN1905063	Q4FRONT TB3 LIFT SIDE SHROUD,PPW-PRP-07(SUGAR PLUM),PAIR(DGN1700146 & DGN1700147),W/HARDWARE	1
K1	DGN1800069	Q4FRONT TB3 LIFT SIDE SHROUD,PPW-PRP-05(DEEP PURPLE),PAIR(DGN1700146 & DGN1700147),W/HARDWARE	1
L1	DGN1800063	Q4FRONT TB3 LIFT SIDE SHROUD,PPW-BLU-10(MIDNIGHT BLUE),PAIR(DGN1700146 & DGN1700147),W/HARDWARE	1
M1	DGN1800064	Q4FRONT TB3 LIFT SIDE SHROUD,PPW-BLU-09(ELECTRIC BLUE/TRUE BLUE),PAIR(DGN1700146 & DGN1700147),W/HARDWARE	1
N1	DGN1905060	Q4FRONT TB3 LIFT SIDE SHROUD,PPW-BLU-11(BLUE JEAN),PAIR(DGN1700146 & DGN1700147),W/HARDWARE	1
O1	DGN1905057	Q4FRONT TB3 LIFT SIDE SHROUD,PPW-GRN-11(GREEN MACHINE),PAIR (DGN1700146 & DGN1700147),W/HARDWARE	1
P1	DGN1800066	Q4FRONT TB3 LIFT SIDE SHROUD,PPW-GRN-08(MILITARY GREEN),PAIR(DGN1700146 & DGN1700147),W/HARDWARE	1
Q1	DGN1800065	Q4FRONT TB3 LIFT SIDE SHROUD,PPW-GRN-07(LIME LIGHT),PAIR(DGN1700146 & DGN1700147),W/HARDWARE	1
R1	DGN1800074	Q4FRONT TB3 LIFT SIDE SHROUD,PPW-YEL-03(YELLOW BLAZE/ORION YELLOW/CITRINE YELLOW),PAIR(DGN1700146 & DGN170047),W/HARDWARE	1
S1	DGN1905054	Q4FRONT TB3 LIFT SIDE SHROUD,PPW-YEL-04(LEMON CRUSH),PAIR(DGN1700146 & DGN1700147),W/HARDWARE	1
T1	DGN1800067	Q4FRONT TB3 LIFT SIDE SHROUD,PPW-ORN-06(ORANGE CRUSH),PAIR(DGN1700146 & DGN1700147),W/HARDWARE	1
U1	DGN1905051	Q4FRONT TB3 LIFT SIDE SHROUD,PPW-ORN-07(EVOLUTION ORANGE),PAIR(DGN1700146 & DGN1700147),W/HARDWARE	1
V1	DGN1800075	Q4FRONT TB3 LIFT SIDE SHROUD,PWT-CBN-01(CARBON FIBER),PAIR(DGN1700146 & DGN1700147),W/HARDWARE	1
W1	DGN1800076	Q4FRONT TB3 LIFT SIDE SHROUD,PWT-CMO-07(MILITARY DIGITAL CAMO),PAIR(DGN1700146 & DGN1700147),W/HARDWARE	1
X1	DGN1800077	Q4FRONT TB3 LIFT SIDE SHROUD,PWT-FLG-02(FADED GLORY),PAIR(DGN1700146 & DGN1700147),W/HARDWARE	1

12. Painted Side Covers (REAC L&T)

Q6 Edge Series/R44 Rival Lift Base Side Cover Assy's
 (Includes 1 cover. Qty of 2 must be selected for a pair.)

Ref#	Color Name	Part Suffix	Color Code
A1	Back in Black	PBK1	PPW-BLK-01
B1	Night Train	PBK3	PPW-BLK-03
C1	Grey Street	PSL3	PPW-SIL-03
D1	White Satin	PWT2	PPW-WHT-02
E1	Red Corvette	PRD1	PPW-RED-01
F1	Cherry Bomb	PRD4	PPW-RED-04
G1	Pretty in Pink	PPK3	PPW-PNK-03
H1	Raspberry Beret	PPK4	PPW-PNK-04
I1	Sugar Plum	PPR7	PPW-PRP-07
J1	Deep Purple	PPR5	PPW-PRP-05
K1	Midnight Blue	PBU10	PPW-BLU-10
L1	Electric Blue	PBU9	PPW-BLU-09
M1	Blue Jean	PBU11	PPW-BLU-11
N1	Green Machine	PGN11	PPW-GRN-11
O1	Military Green	PGN8	PPW-GRN-08
P1	Lemon Crush	PYL4	PPW-YEL-04
Q1	Evolution Orange	POR7	PPW-ORN-07
R1	Non-painted Black Plastic, I-Level	—	—
S1	Non-painted Black Plastic, Non-I-Level	—	—



Affected Models
Q6 Edge
Q6 Edge 2.0
Q6 Edge 3
Q6 Edge HD
Q6 Edge Z
R44 Rival

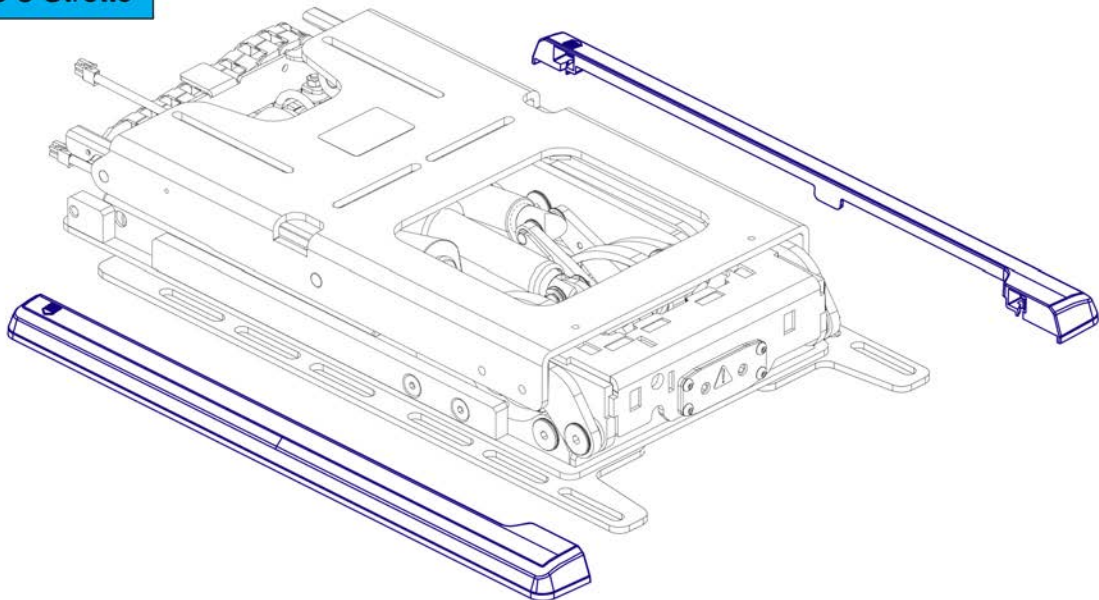
Item	Part No.	Name	Qty
A1	DGN1802631-PBK1	REAC SIDE SHROUD,PPW-BLK-01 (BACK IN BLACK/BLACK)	2
B1	DGN1802631-PBK3	REAC SIDE SHROUD,PPW-BLK-03 (NIGHT TRAIN)	2
C1	DGN1802631-PSL3	REAC SIDE SHROUD,PPW-SIL-03 (GREY STREET)	2
D1	DGN1802631-PWT2	REAC SIDE SHROUD,PPW-WHT-02 (WHITE SATIN)	2
E1	DGN1802631-PRD1	REAC SIDE SHROUD,PPW-RED-01 (RED CORVETTE/CANDY APPLE RED)	2
F1	DGN1802631-PRD4	REAC SIDE SHROUD,PPW-RED-04 (CHERRY BOMB)	2
G1	DGN1802631-PPK3	REAC SIDE SHROUD,PPW-PNK-03 (PRETTY IN PINK)	2
H1	DGN1802631-PPK4	REAC SIDE SHROUD,PPW-PNK-04 (RASPBERRY BERET)	2
I1	DGN1802631-PPR7	REAC SIDE SHROUD,PPW-PRP-07 (SUGAR PLUM)	2
J1	DGN1802631-PPR5	REAC SIDE SHROUD,PPW-PRP-05 (DEEP PURPLE)	2
K1	DGN1802631-PBU10	REAC SIDE SHROUD,PPW-BLU-10 (MIDNIGHT BLUE)	2
L1	DGN1802631-PBU9	REAC SIDE SHROUD,PPW-BLU-09 (ELECTRIC BLUE/TRUE BLUE)	2
M1	DGN1802631-PBU11	REAC SIDE SHROUD,PPW-BLU-11 (BLUE JEAN)	2
N1	DGN1802631-PGN11	REAC SIDE SHROUD,PPW-GRN-11 (GREEN MACHINE)	2
O1	DGN1802631-PGN8	REAC SIDE SHROUD,PPW-GRN-08 (MILITARY GREEN)	2
P1	DGN1802631-PYL4	REAC SIDE SHROUD,PPW-YEL-04 (LEMON CRUSH)	2
Q1	DGN1802631-POR7	REAC SIDE SHROUD,PPW-ORN-07 (EVOLUTION ORANGE)	2
R1	DGN146444-A	COVER,SIDE,BLACK,PLASTIC,TB3 REAC LIFT,W/I-LEVEL LOGO	2
S1	DGN146444-B	COVER,SIDE,BLACK,PLASTIC,TRU BALANCE 3 REAC LIFT,WITHOUT I-LEVEL LOGO	2

12. Painted Side Covers (REAC L&T)

A1

Pair, REAC Lift Plastic Side Covers, Q6 Edge 3 Stretto

Not available individually. The pair must be selected.



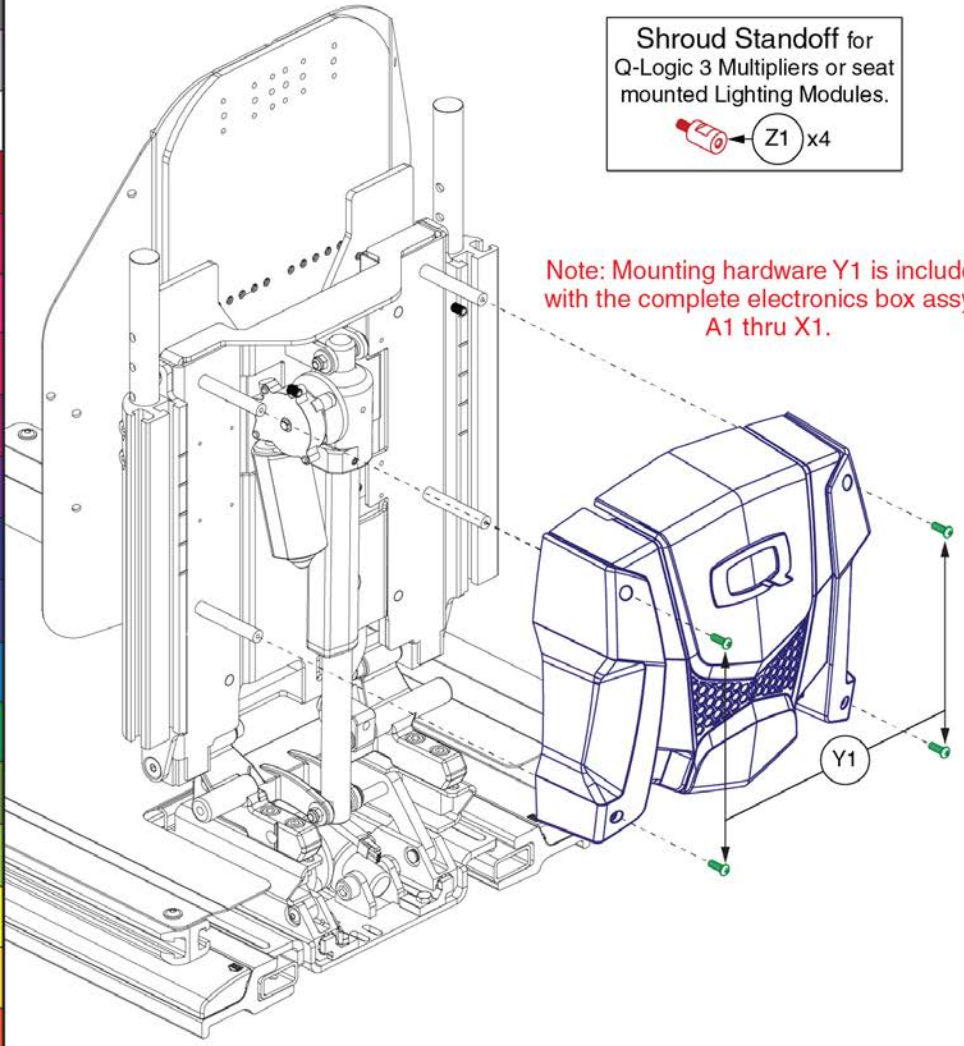
Stretto Plastic Side Covers, REAC Lift / I-Level



Item	Part No.	Name	Qty
A1	DGN2004884	COVER,SIDE,BLACK,PLASTIC,TRU BALANCE 3 REAC LIFT,PAIR,Q6EDGE3 STRETTO	1

13. Electronics Cover Shrouds

TB3 Electronics Box	
Ref#	Color Name
A1	Back in Black
B1	Night Train
C1	Grey Street
D1	Silver Bullet
E1	White Satin
F1	Red Corvette
G1	Cherry Bomb
H1	Pretty in Pink
I1	Raspberry Beret
J1	Sugar Plum
K1	Deep Purple
L1	Midnight Blue
M1	Electric Blue
N1	Blue Jean
O1	Green Machine
P1	Military Green
Q1	Lime Light
R1	Yellow Blaze
S1	Lemon Crush
T1	Orange Crush
U1	Evolution Orange
V1	Carbon Fiber
W1	Digital Camo
X1	Faded Glory

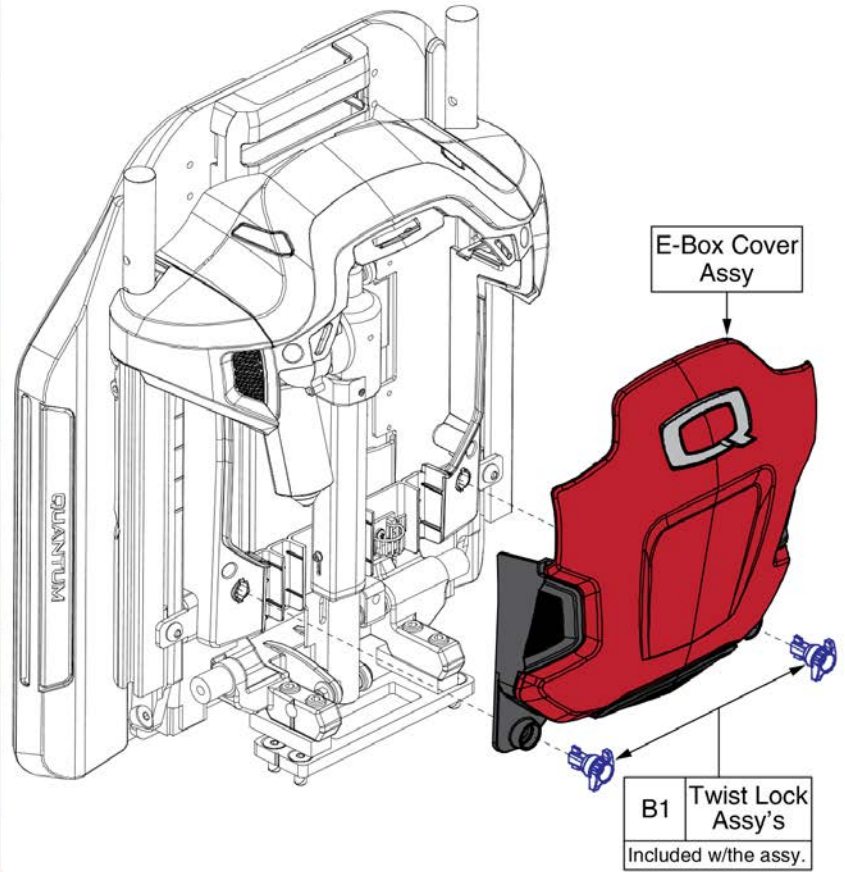


Item	Part No.	Name	Qty
A1	DGN148032	ELECTRONICS BOX,ASSY,BACK IN BLACK,TRU-BALANCE 3,W/MOUNTING HARDWARE	1
B1	DGN1706558	ELECTRONICS BOX,ASSY,NIGHT TRAIN,TB3,W/HARDWARE	1
C1	DGN148074	ELECTRONICS BOX,ASSY,GREY STREET,TB3,W/HARDWARE	1
D1	DGN148047	ELECTRONICS BOX,ASSY,SILVER BULLET,TRU-BALANCE 3,W/MOUNTING HARDWARE	1
E1	DGN148075	ELECTRONICS BOX,ASSY,WHITE SATIN,TB3,W/HARDWARE	1
F1	DGN148034	ELECTRONICS BOX,ASSY,CORVETTE RED,TRU-BALANCE 3,W/MOUNTING HARDWARE	1
G1	DGN1801259-PRD4	ELECTRONICS BOX,ASSY,CHERRY BOMB,TB3,W/HARDWARE	1
H1	DGN148045	ELECTRONICS BOX,ASSY,PRETTY IN PINK,TB3,W/HARDWARE	1
I1	DGN1801259-PPK4	ELECTRONICS BOX,ASSY,RASPBERRY BERET,TB3,W/HARDWARE	1
J1	DGN1801259-PPR7	ELECTRONICS BOX,ASSY,SUGAR PLUM,TB3,W/HARDWARE	1
K1	DGN148046	ELECTRONICS BOX,ASSY,DEEP PURPLE,TB3,W/HARDWARE	1
L1	DGN148035	ELECTRONICS BOX,ASSY,MIDNIGHT BLUE,TB3,W/HARDWARE	1
M1	DGN148076	ELECTRONICS BOX,ASSY,ELECTRIC BLUE,TRU-BALANCE 3,W/MOUNTING HARDWARE	1
N1	DGN1801259-PBU11	ELECTRONICS BOX,ASSY,BLUE JEAN,TB3,W/HARDWARE	1
O1	DGN1801259-PGN11	ELECTRONICS BOX,ASSY,GREEN MACHINE,TB3,W/HARDWARE	1
P1	DGN148037	ELECTRONICS BOX,ASSY,MILITARY GREEN,TB3,W/HARDWARE	1
Q1	DGN148036	ELECTRONICS BOX,ASSY,LIME LIGHT,TB3,W/HARDWARE	1
R1	DGN148077	ELECTRONICS BOX,ASSY,YELLOW BLAZE,TB3,W/HARDWARE	1
S1	DGN1801259-PYL4	ELECTRONICS BOX,ASSY,LEMON CRUSH,TB3,W/HARDWARE	1
T1	DGN148038	ELECTRONICS BOX,ASSY,ORANGE CRUSH,TB3,W/HARDWARE	1
U1	DGN1801259-POR7	ELECTRONICS BOX,ASSY,EVOLUTION ORANGE,TB3,W/HARDWARE	1
V1	DGN1707169	ELECTRONICS BOX,ASSY,CARBON FIBER,TB3,W/HARDWARE	1
W1	DGN1707171	ELECTRONICS BOX,ASSY,DIGITAL CAMO,TB3,W/HARDWARE	1
X1	DGN1707173	ELECTRONICS BOX,ASSY,FADED GLORY,TB3,W/HARDWARE	1
Y1	SCRPPH1163	SCREW, PAN HEAD, TYPE H, M4X0.7 X 10, FT, ISO 7045, CL 4.8, BZ	4
Z1	HDW131337	STANDOFF,MALE-FEMALE,M4-0.7 X 15MM	4

14. Electronics Cover Shrouds - TB3 Redesigned Back

Painted E-Box Assy			
Ref#	Color Name	Part Suffix	Color Code
A1a	Back in Black	PBK1	PPW-BLK-01
A1b	Night Train	PBK3	PPW-BLK-03
A1c	Grey Street	PSL3	PPW-SIL-03
A1d	White Satin	PWT2	PPW-WHT-02
A1e	Red Corvette	PRD1	PPW-RED-01
A1f	Cherry Bomb	PRD4	PPW-RED-04
A1g	Pretty in Pink	PPK3	PPW-PNK-03
A1h	Raspberry Beret	PPK4	PPW-PNK-04
A1i	Sugar Plum	PPR7	PPW-PRP-07
A1j	Deep Purple	PPR5	PPW-PRP-05
A1k	Midnight Blue	PBU10	PPW-BLU-10
A1l	Electric Blue	PBU9	PPW-BLU-09
A1m	Blue Jean	PBU11	PPW-BLU-11
A1n	Green Machine	PGN11	PPW-GRN-11
A1o	Military Green	PGN8	PPW-GRN-08
A1p	Lemon Crush	PYL4	PPW-YEL-04
A1q	Evolution Orange	POR7	PPW-ORN-07
A1r	Carbon Fiber	WCB1	PWT-CBN-01
A1s	Digital Camo	WCM7	PWT-CMO-07
A1t	Faded Glory	WFL2	PWT-FLG-02

Please note: The Painted E-Box Cover is only available as an assembly. The components are not available individually.
All mounting hardware is included with the assembly.

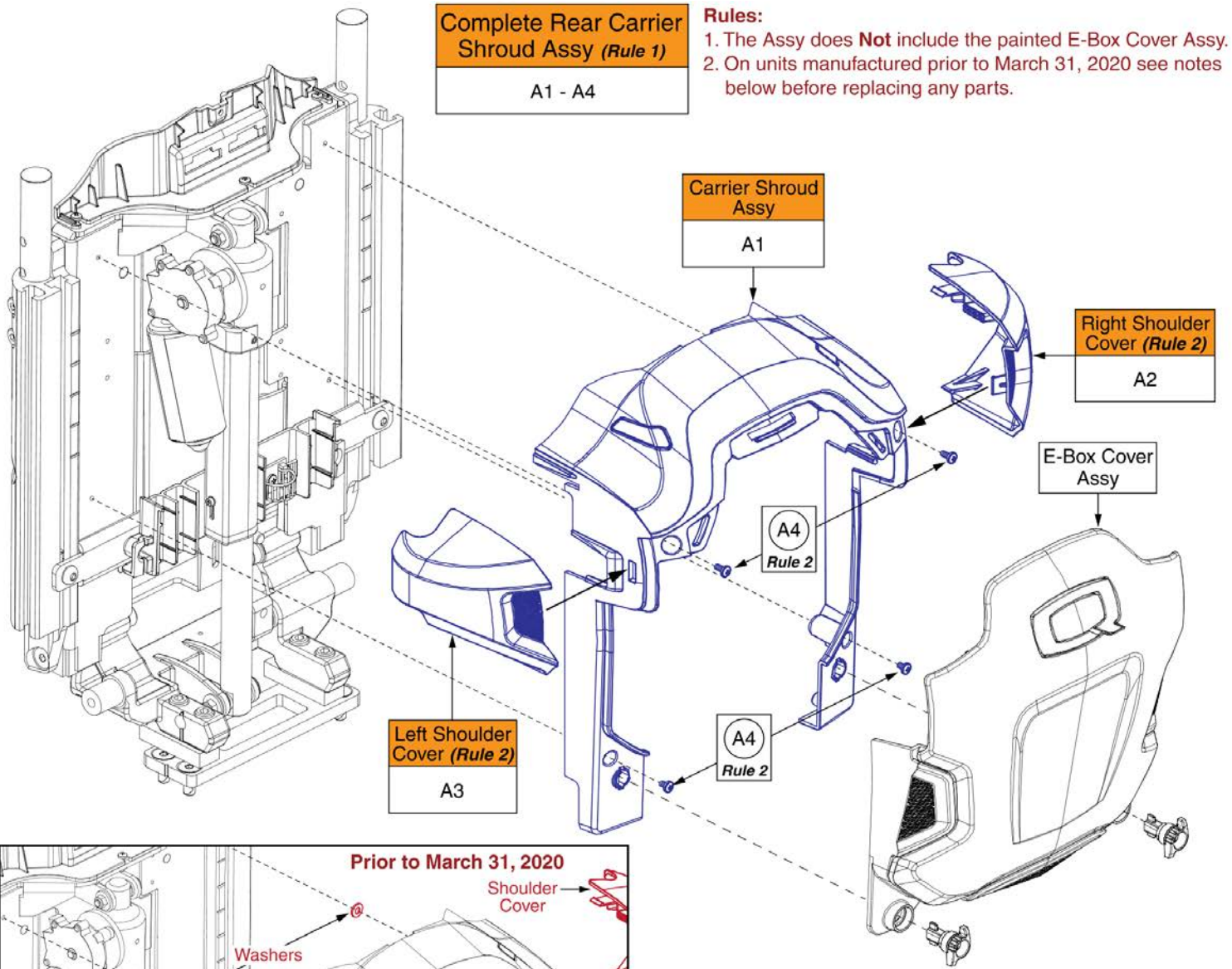


Painted E-Box Shrouds, TB3 Redesigned Back



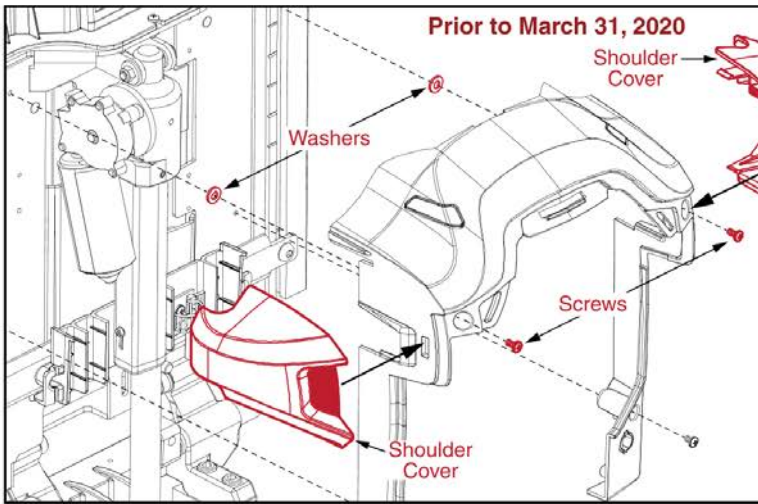
Item	Part No.	Name	Qty
A1a	DGN1714085-PBK1	ELECTRONICS BOX,ASSY,BACK IN BLACK/BLACK,W/MOUNTING HARDWARE	1
A1b	DGN1714085-PBK3	ELECTRONICS BOX,ASSY,NIGHT TRAIN,W/MOUNTING HARDWARE	1
A1c	DGN1714085-PSL3	ELECTRONICS BOX,ASSY,GREY STREET,W/MOUNTING HARDWARE	1
A1d	DGN1714085-PWT2	ELECTRONICS BOX,ASSY,WHITE SATIN,W/MOUNTING HARDWARE	1
A1e	DGN1714085-PRD1	ELECTRONICS BOX,ASSY,RED CORVETTE/CANDY APPLE RED,W/MOUNTING HARDWARE	1
A1f	DGN1714085-PRD4	ELECTRONICS BOX,ASSY,CHERRY BOMB,W/MOUNTING HARDWARE	1
A1g	DGN1714085-PPK3	ELECTRONICS BOX,ASSY,PRETTY IN PINK,W/MOUNTING HARDWARE	1
A1h	DGN1714085-PPK4	ELECTRONICS BOX,ASSY,RASPBERRY BERET,W/MOUNTING HARDWARE	1
A1i	DGN1714085-PPR7	ELECTRONICS BOX,ASSY,SUGAR PLUM,W/MOUNTING HARDWARE	1
A1j	DGN1714085-PPR5	ELECTRONICS BOX,ASSY,DEEP PURPLE,W/MOUNTING HARDWARE	1
A1k	DGN1714085-PBU10	ELECTRONICS BOX,ASSY,MIDNIGHT BLUE,W/MOUNTING HARDWARE	1
A1l	DGN1714085-PBU9	ELECTRONICS BOX,ASSY,ELECTRIC BLUE/TRUE BLUE,W/MOUNTING HARDWARE	1
A1m	DGN1714085-PBU11	ELECTRONICS BOX,ASSY,BLUE JEAN,W/MOUNTING HARDWARE	1
A1n	DGN1714085-PGN11	ELECTRONICS BOX,ASSY,GREEN MACHINE,W/MOUNTING HARDWARE	1
A1o	DGN1714085-PGN8	ELECTRONICS BOX,ASSY,MILITARY GREEN,W/MOUNTING HARDWARE	1
A1p	DGN1714085-PYL4	ELECTRONICS BOX,ASSY,LEMON CRUSH,W/MOUNTING HARDWARE	1
A1q	DGN1714085-POR7	ELECTRONICS BOX,ASSY,EVOLUTION ORANGE,W/MOUNTING HARDWARE	1
A1r	DGN1714085-WCB1	ELECTRONICS BOX,ASSY,CARBON FIBER,W/MOUNTING HARDWARE	1
A1s	DGN1714085-WCM7	ELECTRONICS BOX,ASSY,DIGITAL CAMO,W/MOUNTING HARDWARE	1
A1t	DGN1714085-WFL2	ELECTRONICS BOX,ASSY,FADED GLORY,W/MOUNTING HARDWARE	1
B1	MEC1902176	QUARTER TURN, ASSEMBLY	2

14. Electronics Cover Shrouds - TB3 Redesigned Back



Complete Rear Carrier Shroud Assy (Rule 1)
A1 - A4

Rules:
1. The Assy does **Not** include the painted E-Box Cover Assy.
2. On units manufactured prior to March 31, 2020 see notes below before replacing any parts.



Notes for units manufactured prior to March 31, 2020

- Prior to March 31, 2020 two washers and longer screws were utilized to mount the carrier shroud to the back of the unit. This was to prevent the shoulder covers from contacting the back assembly.
- A product enhancement occurred to the shoulder covers and the washers are no longer needed.
- Replace A2 & A3 in pairs on units manufactured prior to this date.
- If replacing hardware A4, A2 & A3 must be selected as well.
- The Carrier Shroud and E-Box cover are not affected.

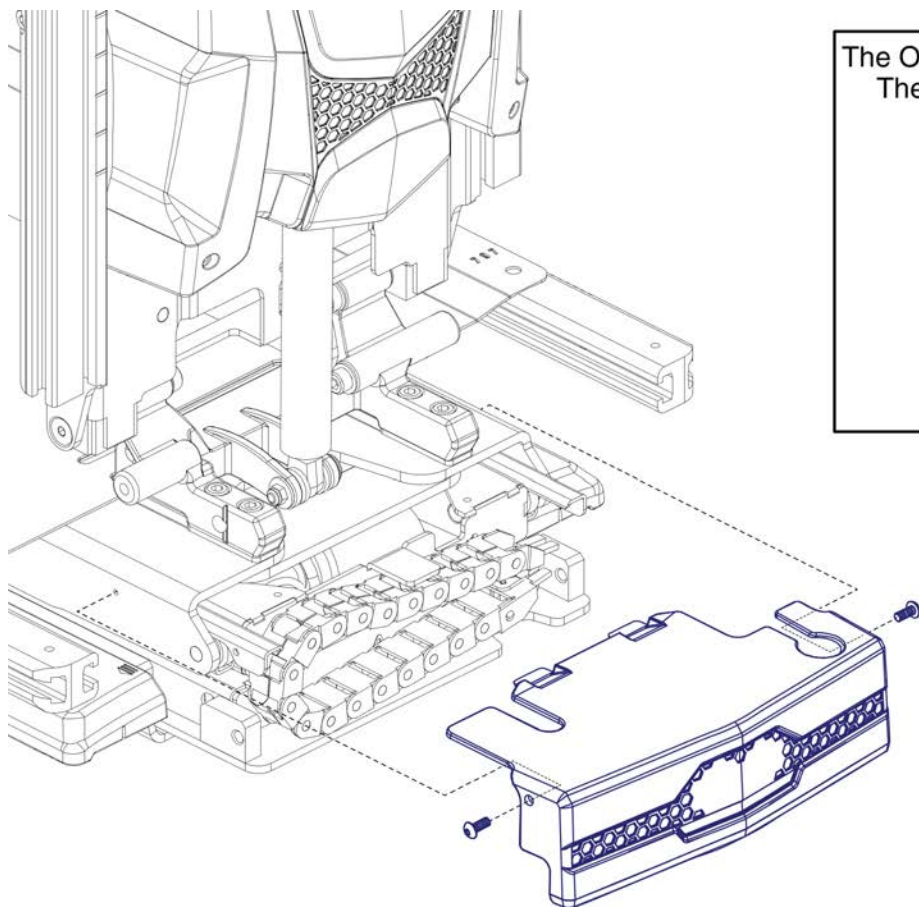
Contact Technical Service for more Information.

Carrier Shroud Assy, TB3 Redesigned Back



Item	Part No.	Name	Qty
A1 - A4	DGN1904463	REAR SHROUD ASSEMBLY,BACK REFLECTORS,REDESIGNED BACK	1
A1	DGN1900261	UPPER CARRIER WITH REFLECTOR PLUGS, ASSEMBLY, TB4 BACK	1
A2	DGN1714081	ARM COVER, RIGHT, TB4 BACK	1
A3	DGN1714080	ARM COVER, LEFT, TB4 BACK	1
A4	SCRPPH1304	SCREW,PPH,BLACK ZINC,M4-.7 X 6MM	4

15. Rear Wire Cover Shrouds (REAC L&T)



The Original Style Rear Cover, is no longer available. The New, Notched Style is a direct replacement for the Original Style Rear Cover.

Cover Assemblies (Includes the plastic cover & mounting hardware)	
A1	I-Level Rear Cover, "New" Style
B1	Non I-Level Rear, "New" Style

Rear Wire Cover Shrouds, REAC Lift



Item	Part No.	Name	Qty
A1	DGN1803491	COVER,ASSY,REAR,PLASTIC,TRU-BALANCE 3 LIFT,ILEVEL,W/MOUNTING HARDWARE	1
B1	DGN153134	COVER,ASSY,PLASTIC,TRU-BALANCE 3 LIFT,W/O ILEVEL,W/MOUNTING HARDWARE	1

16. Lap Belts

Standard Style Lap Belts

A1	38" Ped.
B1	50"
C1	60"
D1	70"
E1	80"
F1	90"

G1 Stealth Retractable Lap Belt, 45"L

H1
Standard Lap Belt Mounting Hardware

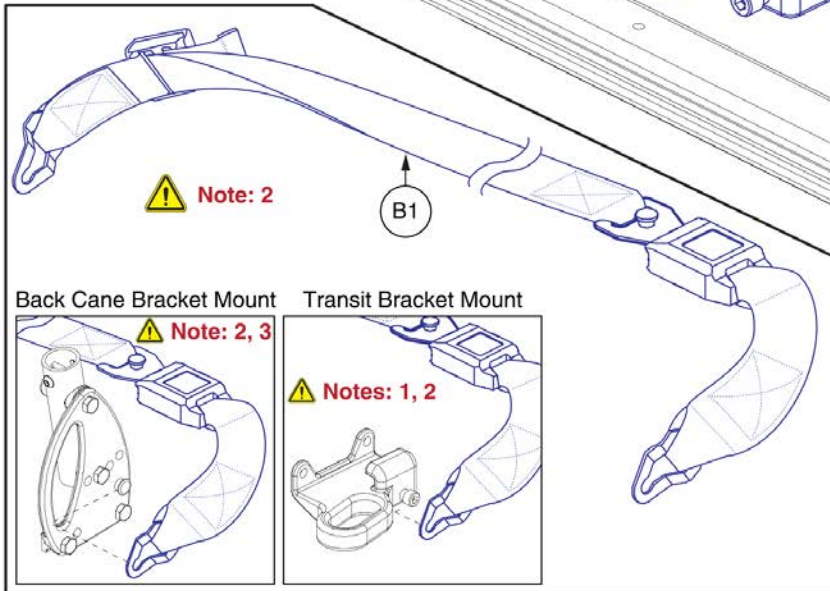
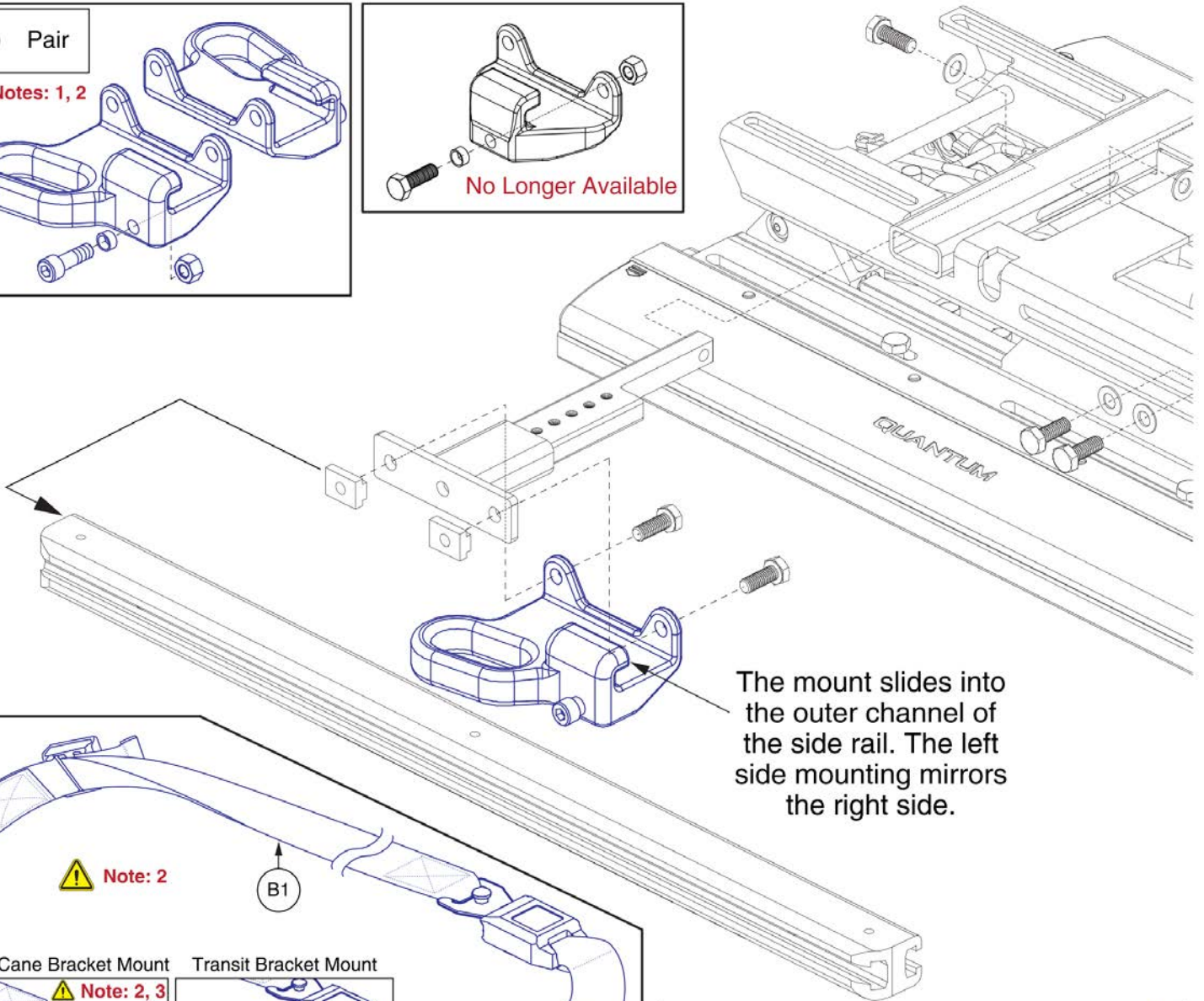
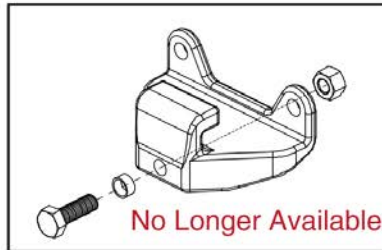
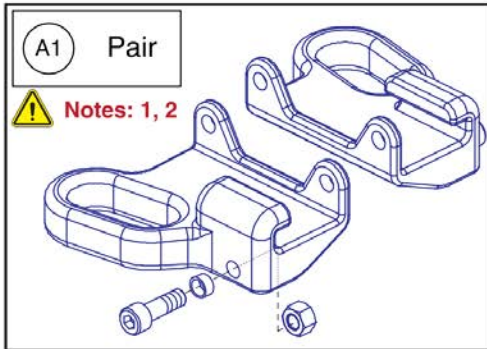
I1
Pediatric Lap Belt Mounting Hardware

J1
Stealth Retractable Lap Belt Mounting Hardware

Please note: The lap belt mounting hardware (I1, H1, & J1) are complete assy's and include both sides.

Item	Part No.	Name	Qty
A1	ACCBELT1006	LAP BELT,1-1/2 X 38",PEDIATRIC,AUTO STYLE	1
B1	ACCBELT1000	LAP BELT,50",C-1010-336	1
C1	ACCBELT1002	LAP BELT,60",C-1010-336	1
D1	ACCBELT1003	LAP BELT,70",C-1010-336	1
E1	ACCBELT1004	LAP BELT,80",C-1010-336	1
F1	ACCBELT1001	LAP BELT,90",C-1010-336	1
G1	ST-IFRB5350	RETRACTABLE LAP BELT AND BUCKLE,45"L	1
H1	HDW130230	LAP BELT MOUNTING HARDWARE,ASSY,UNIVERSAL	1
I1	HDW131909	LAP BELT MOUNTING HARDWARE,ASSY,PEDIATRIC/POSITIONING,TRU-BALANCE 3	1
J1	HDW1714576	RETRACTABLE LAP BELT MOUNTING HARDWARE,ASSY	1

16. Lap Belts



Notes: ⚠️

1. For use on units equipped with Static or Power Recline backs.
2. See the Occupied Transit Seat Base IPBs for more information.
3. See the Back Cane Bracket IPB for selection.

Occupied Transit Lap Belt Mount, TB3



Item	Part No.	Name	Qty
A1	MEC1909905	LAP BELT MOUNT,ASSY,OCCUPIED TRANSIT SECUREMENT LOOP W/DECALS	1
B1	ACCBELT1016	LAP BELT,60",NON-RETRACTABLE,(SURE-LOK: FE201070)	1

17. Thoracic Lateral Mounts

Lateral Tracks for Units w/ Backs Greater than 14"W

***This version of the Lateral Track is NO LONGER available for replacement. They have been replaced by the Stealth Lateral Assembly, B1. ***

Lateral Mounting Brackets

Lateral Tracks for Units w/ 10"-14"W Backs

Complete Assy

A1

Stealth Lateral Assy

Complete Assy

B1

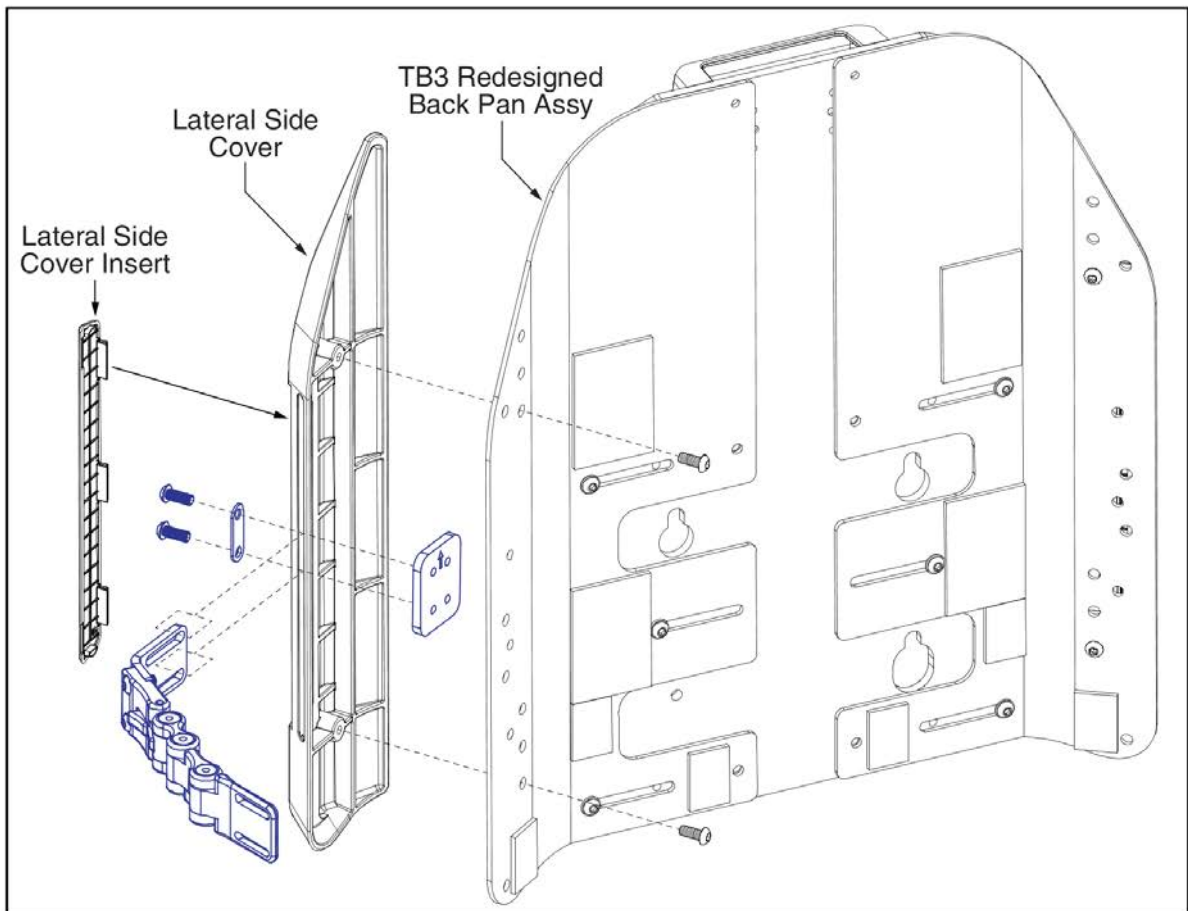
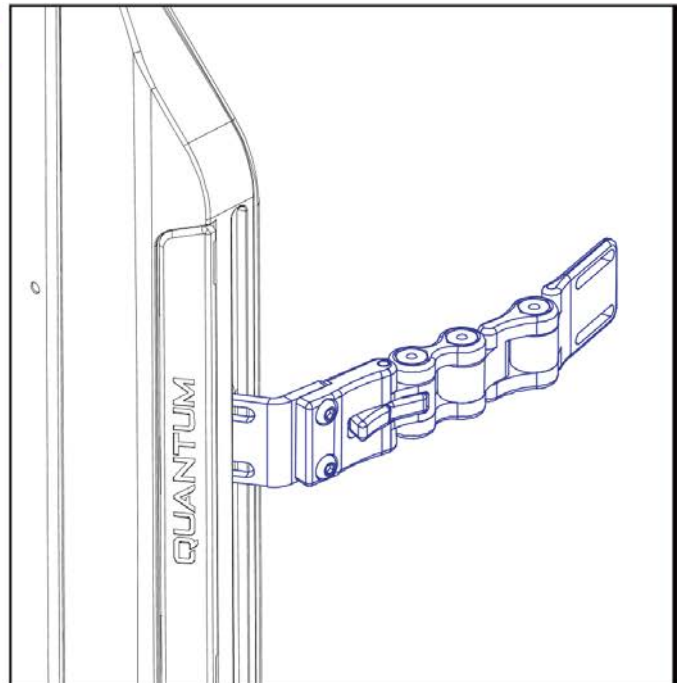
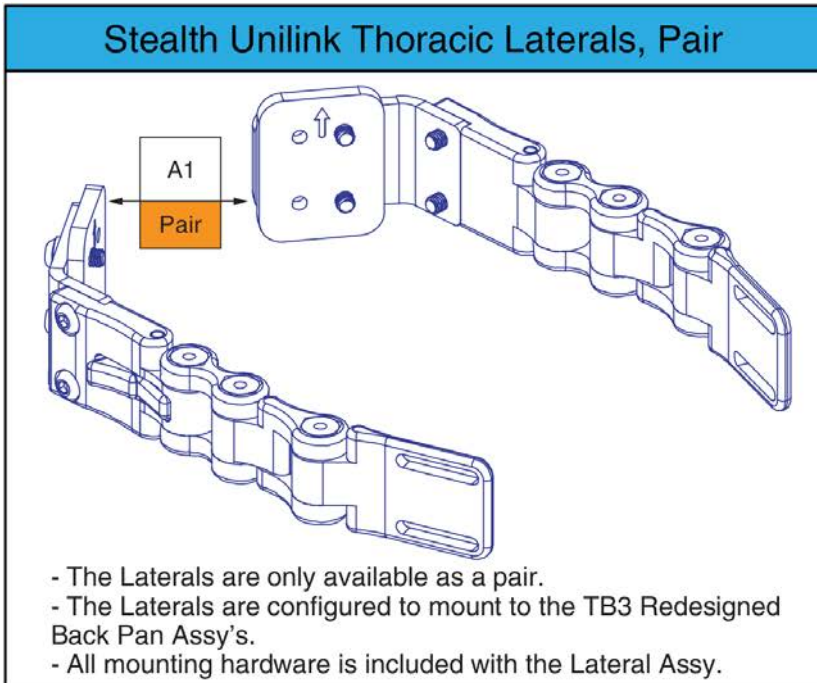
C1

The 4 mounting screws (C1) must also be selected when ordering this assembly.

The Lateral Tracks are only available as assemblies and as a set .

Item	Part No.	Name	Qty
A1	FRMASMB16274	LATERAL EXTENSION,ASSY,6",SYNERGY STANDARD BACK	1
B1	INDPART2677	MOUNTING BRACKET,THORACIC LATERAL 125° SWING AWAY BRACKET,TRU-COMFORT,PAIR,(STEALTH:TWBTLTC)	1
C1	SCRSHCS1005	SCREW, SHCS,BLACK ZINC,1/4-20 X 0.75"	4

17. Thoracic Lateral Mounts



Item	Part No.	Name	Qty
A1	ST-ULS4042000-Q	LATERAL UNILINK MOUNTING HARDWARE,REDESIGNED BACK,(STEALTH:ULS4042000-Q),Pair	1

18. Decal Package, REAC Lift / I-Level



Decal Package

Standard Decal Package, REAC Lift/I-Level






Item	Part No.	Name	Qty
N/A	LAB148431	DECAL,ASSY,TRU-BALANCE 3 LIFT & TILT/LIFT TILT & RECLINE,250LBS	1
N/A	DWR1234L054	DECAL,ICON,MAXIMUM WEIGHT CAPACITY,250LBS/113KG,L-1234-054	1
N/A	DWR1235L167	DECAL,PINCH POINT WARNING,0.50",L-1235-167	4
N/A	DWR1235L199	DECAL,READ OWNER'S MANUAL,ONLY AN AUTHORIZED TECHNICIAN CAN ADJUST THE SEAT,L-1235-199	1
N/A	DWR1235L603	DECAL,READ OWNER'S MANUAL,ONLY AN AUTHORIZED TECHNICIAN CAN ADJUST THE SEAT,FRENCH,L-1235-603	1

18. Decal Package, REAC Lift / I-Level



Decal Package

Item	Part No.	Name	Qty
N/A	LAB153133	DECAL,ASSY,TRU-BALANCE 3 HD LIFT/LIFT &TILT,400LBS	1
N/A	DWR1234L018	DECAL,ICON,MAXIMUM WEIGHT CAPACITY, 400LBS/180KG,L-1234-018	1
N/A	DWR1235L167	DECAL,PINCH POINT WARNING,0.50",L-1235-167	2
N/A	DWR1235L199	DECAL,READ OWNER'S MANUAL,ONLY AN AUTHORIZED TECHNICIAN CAN ADJUST THE SEAT,L-1235-199	1
N/A	DWR1235L603	DECAL,READ OWNER'S MANUAL,ONLY AN AUTHORIZED TECHNICIAN CAN ADJUST THE SEAT,FRENCH,L-1235-603	1

Current Quantum Colors as of 9-1-2019																		
Color Name	Color Name Variant	Part Suffix	Color Code	Edge 3 Stretto	Edge 3	Edge 2.0	Edge 2.0X	Edge	Edge X	4Front	Edge Z	Edge HD	R44 Rival	J4 / Q4	J6	1450	Kozmo	
Back in Black	Black, Onyx Black Metallic Black	PBK1	PPW-BLK-01	X	X	X	X	X	X	X	X	X	X	X	X			
Night Train		PBK3	PPW-BLK-03	X	X	X	X			X	X	X	X					
Grey Street		PSL3	PPW-SIL-03	X	X	X	X			X	X	X	X					
Silver Bullet		PSL7	PPW-SIL-07			X	X			X	X	X	X					
White Satin	Pearl White	PWT2	PPW-WHT-02	X	X	X	X			X	X	X	X				X	
Red Corvette	Candy Apple Red, Ruby Red	PRD1	PPW-RED-01	X	X	X	X	X	X	X	X	X	X	X	X	X	X	
Cherry Bomb		PRD4	PPW-RED-04	X	X					X								
Pretty in Pink	Rose Quartz	PPK3	PPW-PNK-03	X	X	X	X			X	X	X	X	X	X	X	X	
Raspberry Beret		PPK4	PPW-PNK-04	X	X					X								
Sugar Plum		PPR7	PPW-PRP-07	X	X					X								
Deep Purple		PPR5	PPW-PRP-05	X	X	X	X			X	X	X	X					
Midnight Blue		PBU10	PPW-BLU-10	X	X	X	X			X	X	X	X					
Electric Blue	True Blue, Sapphire Blue	PBU9	PPW-BLU-09	X	X	X	X	X	X	X	X	X	X	X	X	X	X	
Blue Jean		PBU11	PPW-BLU-11	X	X					X								
Green Machine		PGN11	PPW-GRN-11	X	X	X	X			X	X	X	X					
Military Green		PGN8	PPW-GRN-08	X	X					X	X	X	X					
Lime Light		PGN7	PPW-GRN-07			X	X			X	X	X	X					
Yellow Blaze	Orion Yellow, Citrine Yellow	PYL3	PPW-YEL-03			X	X	X	X	X	X	X	X			X	X	
Lemon Crush		PYL4	PPW-YEL-04	X	X	X	X			X								
Orange Crush	Amber Orange	POR6	PPW-ORN-06			X	X			X	X	X	X				X	
Evolution Orange		POR7	PPW-ORN-07	X	X	X	X			X	X	X	X	X	X	X		
Carbon Fiber		WCB1	PWT-CBN-01		X	X				X								
Digital Camo		WCM7	PWT-CMO-07		X	X				X								
Faded Glory		WFL2	PWT-FLG-02		X	X				X								

Prior Generation Quantum Colors as of 9-1-2019																		
Color Name	Color Name Variant	Part Suffix	Color Code	Edge 3 Stretto	Edge 3	Edge 2.0	Edge 2.0X	Edge	Edge X	4Front	Edge Z	Edge HD	R44 Rival	J4 / Q4	J6	1450	Kozmo	
Pewter Grey		PGY1	PPW-GRY-01						X				X					
Silver		PSL1	PPW-SIL-01					X	X			X	X			X		
Cardinal Red	Rex Red	PRD2	PPW-RED-02					X					X					
Pearl Pink	Prehistoric Pink	PPK1	PPW-PNK-01					X	X			X	X		X	X		
Violet	Primitive Purple	PPR2	PPW-PRP-02					X					X					
Sapphire Blue		PPR4	PPW-PRP-04					X	X			X	X			X		
Mariner Blue	Bronto Blue	PBU2	PPW-BLU-02					X					X					
Graphite Blue		PBU3	PPW-BLU-03					X					X					
Viper Blue		PBU1	PPW-BLU-01					X	X			X	X		X	X		
Spring Green	Gator Green	PGN3	PPW-GRN-03					X					X					
Emerald Green		PGN5	PPW-GRN-05					X	X			X	X			X		
Kelly Green		PGN6	PPW-GRN-06					X					X		X			
Solar Yellow		PYL1	PPW-YEL-01					X					X					
Champagne	Saber Yellow	PCH1	PPW-CHA-01					X	X			X	X			X		
Tangerine		POR2	PPW-ORN-02					X					X					
Sunburst Orange		POR1	PPW-ORN-01					X	X			X	X		X	X		

This page intentionally left blank



1. Q-Logic 3 Electronics, REAC Lift

Q-Logic 3 Joysticks

* Q-Logic 3 Joystick replacement requires the selection of a Pre-programmed SD Card. SD Cards are not shown. Refer to the model specific SD Card pages for selection. *

Q-Logic 3 Joysticks (Shroud NOT Included) Select Separately	
A1	Standard
B1	Lighting

Standard Inline Joystick Mounting Bracket Assy
C1

D1	Speed Knob
	
E1	Joystick Knob
	

Lower Housing w/ Bus Cable
F1

Joystick Replacement notes:

- The replacement joystick DOES NOT include the painted shroud. Please utilize the existing. If required, it must be selected separately.
- The replacement joystick DOES NOT include the SD card. Refer to the model specific SD Card pages for selection.
- A Pre-programmed, Joystick mounted SD Card is required when:
 - Replacing a Joystick, Power Base Module, Seating Module, or Display.
 - Any circumstance where all of the electronics modules require replacement.
 - When retrofitting a unit in the field to Q-Logic 3 Electronics.
- The Q-Logic 3 system will reprogram the unit based upon the information loaded onto the SD card. A new SD card ensures the unit is loaded with the latest software.
- Contact Technical Service for more information.

- Refer to the Joystick Mounts & Receivers Sections for more Joystick mounting options.

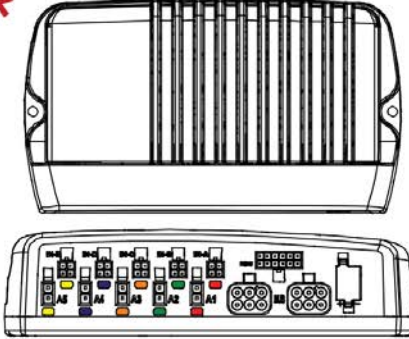
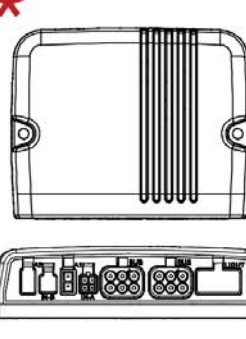
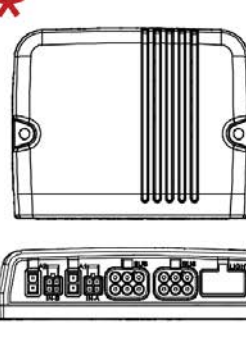
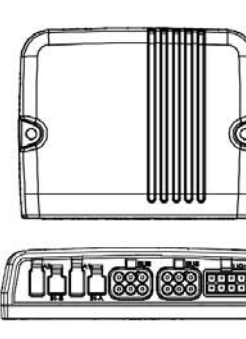
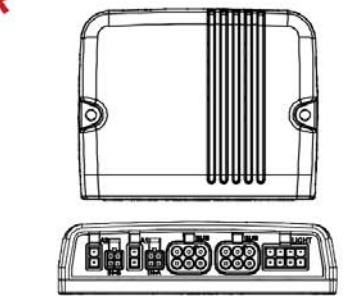
Q-Logic 3 Joystick Assy's



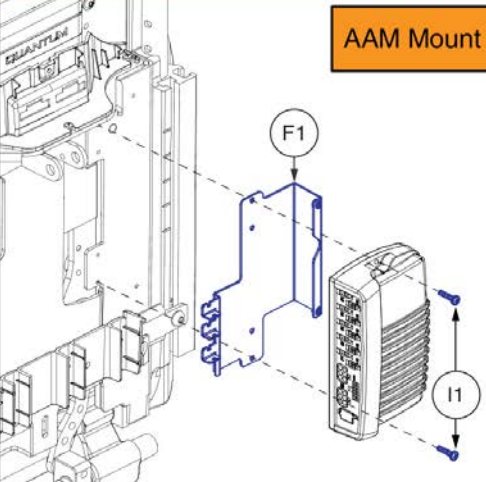
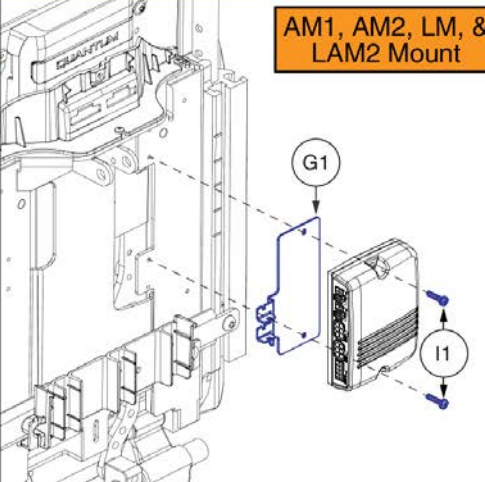
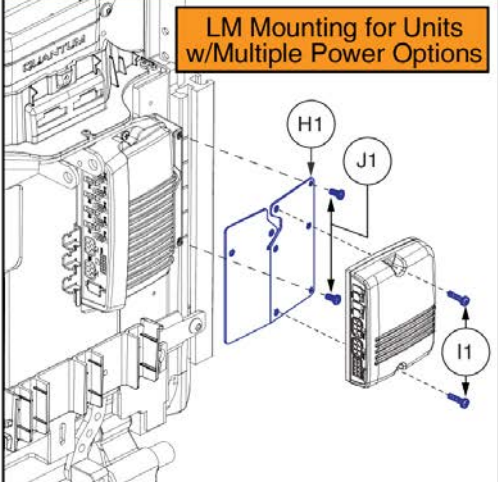
Item	Part No.	Name	Qty
A1	CTL143976	EXPANDABLE CONTROLLER W/ JOYSTICK AND LCD COLOR DISPLAY, Q-LOGIC 3, 4-KEY, (CURTIS: 17949700-02-0009)	1
B1	CTL143977	EXPANDABLE CONTROLLER W/ JOYSTICK AND LCD COLOR DISPLAY AND LIGHTS, Q-LOGIC 3, 4-KEY, (CURTIS: 17949700-02-0109)	1
C1	FRMASMB10617	JOYSTICK MOUNTING BRACKET,ASSY,CURTIS,INLINE	1
D1	DGN124309	SPEED WHEEL,KNOB,CURTIS Q-LOGIC 2,BLACK,PLASTIC,DGN124309,(CURTIS: 17949367-01)	1
E1	DGN154742	JOYSTICK, KNOB, Q-LOGIC 3, 6.35MM-ID, (CURTIS: 17519114-01)	1
F1	ELE144006	ELECTRONIC, BOTTOM HOUSING, JOYSTICK MODULE Q-LOGIC 3,W/ BUS CABLE Q-LOGIC 3, (CURTIS: 17949366-02)	1

1. Q-Logic 3 Electronics, REAC Lift

Q-Logic 3 Seating and Lighting Modules

<p>A1 AAM - Advanced Actuator Module (5 Actuator)</p> 	<p>B1 AM1 1 Actuator Module</p> 	<p>C1 AM2 2 Actuator Module</p> 	<p>D1 LM Lighting Module</p> 
<p>E1 LAM2 - Light & Actuator Module (2 Actuator)</p> 	<p>* Seating System Module (A1, B1, C1, or E1) replacement requires the selection of a Pre-programmed SD Card. *</p> <p>SD Card Replacement notes:</p> <ul style="list-style-type: none"> - A Pre-programmed, Q-Logic 3 Joystick mounted SD Card is required when: <ul style="list-style-type: none"> • Replacing a Joystick, Power Base Module, Seating Module, or Display. • Any circumstance where all of the electronics modules require replacement. • When retrofitting a unit in the field to Q-Logic 3 Electronics. - A firmware upgrade occurred requiring a system update to enable enhanced features. - The Q-Logic 3 system will reprogram the unit based upon the information loaded onto the SD card. A new SD card ensures the unit is loaded with the latest software. - The proper, programmed SD card must be selected to ensure the unit functions as intended. - SD Cards are not shown. Refer to the model specific SD Card pages for selection. - Contact Technical Service for more information. 		

Module Mounts for TB3 Seating System Backs

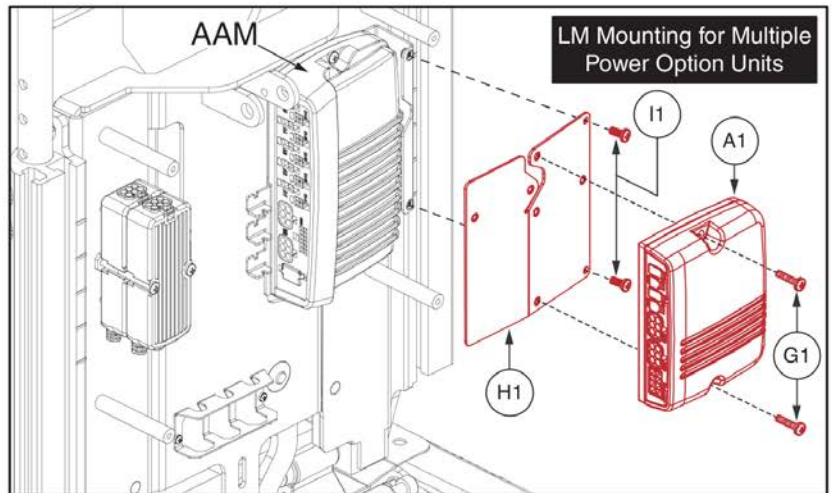
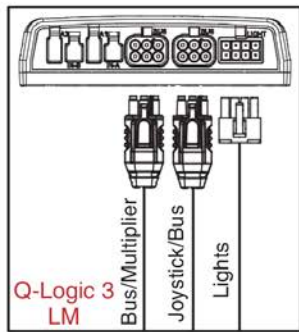
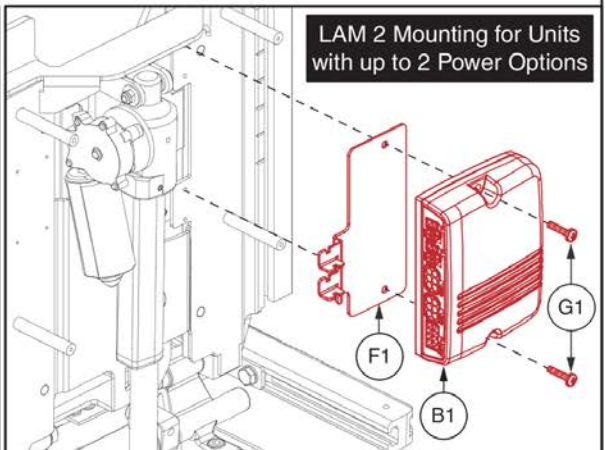
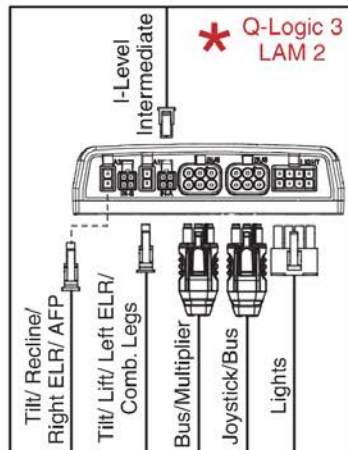
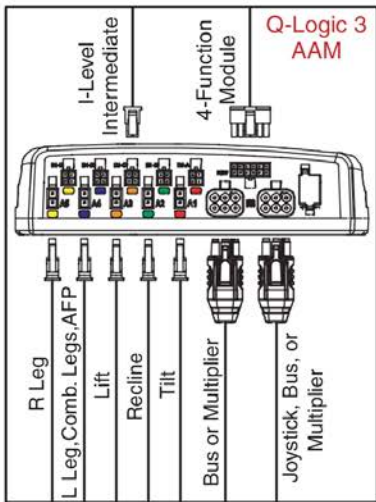
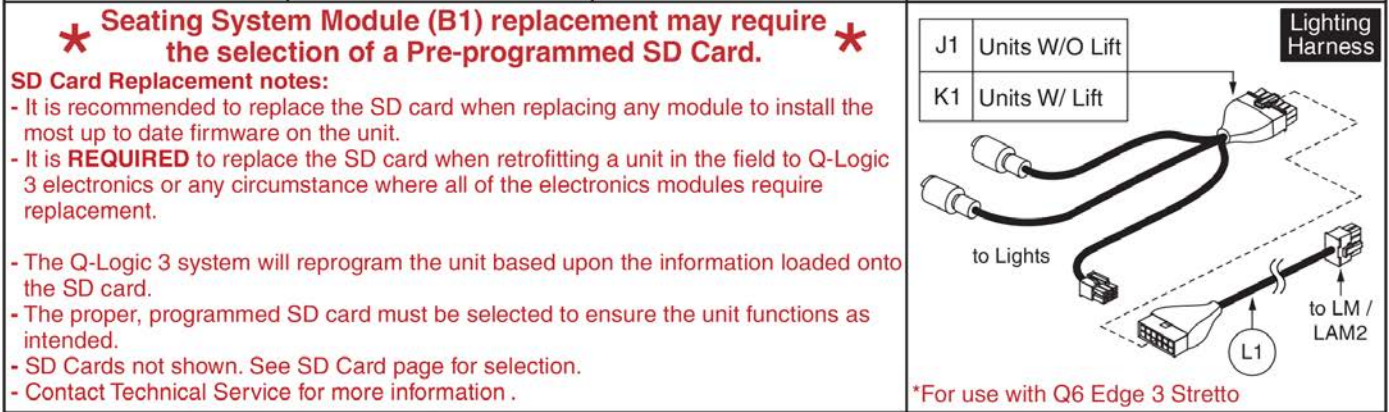
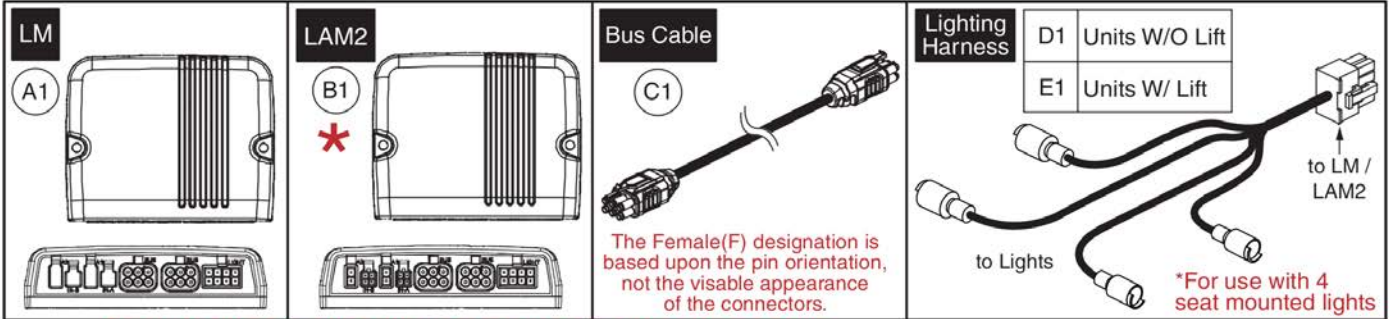
<p>AAM Mount</p> 	<p>AM1, AM2, LM, & LAM2 Mount</p> 	<p>LM Mounting for Units w/Multiple Power Options</p> 
------------------------------------------------------------------------------------------------------------	-----------------------------------------------------------------------------------------------------------------------------------	----------------------------------------------------------------------------------------------------------------------------------------------------

Q-Logic 3 Seating Modules & Mounts



Item	Part No.	Name	Qty
A1	CTL143982	ADVANCED ACTUATOR MODULE,Q-LOGIC 3,5 ACTUATOR,(CURTIS: 17952700-5009)	1
B1	CTL143983	ACTUATOR MODULE, Q-LOGIC 3, AM1, 1 ACTUATOR, (CURTIS: 17963700-1009)	1
C1	CTL143984	ACTUATOR MODULE,Q-LOGIC 3,AM2,2 ACTUATOR,(CURTIS:17963700-2009)	1
D1	CTL143986	LIGHT MODULE,Q-LOGIC 3,LM,(CURTIS:17963700-0109)	1
E1	CTL143985	ACTUATOR MODULE,Q-LOGIC 3,LAM2,2 ACTUATOR AND LIGHTS,(CURTIS: 17963700-2109)	1
F1	MEC156032	AAM STRAIN RELIEF,Q-LOGIC 3,SEATBACK BRACKET ASSEMBLY	1
G1	MEC155983	AM STRAIN RELIEF, Q LOGIC 3	1
H1	MEC162072	SPECIALTY CONTROLS SEATBACK BRACKET LID ASSEMBLY	1
I1	SCRPPH1153	SCREW, PAN HEAD, TYPE H, M4X0.7 X 20, FT, ISO 7045, CL 4.8, BZ	2
J1	SCRPPH1163	SCREW, PAN HEAD, TYPE H, M4X0.7 X 10, FT, ISO 7045, CL 4.8, BZ	2

1. Q-Logic 3 Electronics, REAC Lift



Q-Logic 3 Lighting Modules & Hardware



Item	Part No.	Name	Qty
A1	CTL143986	LIGHT MODULE,Q-LOGIC 3,LM,(CURTIS:17963700-0109)	1
B1	CTL143985	ACTUATOR MODULE,Q-LOGIC 3,LAM2,2 ACTUATOR AND LIGHTS,(CURTIS: 17963700-2109)	1
C1	HAR143994	HARNESS, BUS EXTENSION CABLE, Q-LOGIC 3, 0.3 METER, FEMALE/FEMALE, (CURTIS: 17881361-01-02)	1
D1	ELE168114	HARNESS, FULL LIGHT, LED, SEATING SYSTEM W/O LIFT, QL3	1
E1	ELE168113	HARNESS, FULL LIGHT, LED, SEATING SYSTEM W/LIFT, QL3	1
F1	MEC155983	AM STRAIN RELIEF, Q LOGIC 3	1
G1	SCRPPH1153	SCREW, PAN HEAD, TYPE H, M4X0.7 X 20, FT, ISO 7045, CL 4.8, BZ	2
H1	MEC162072	SPECIALTY CONTROLS SEATBACK BRACKET LID ASSEMBLY	1
I1	SCRPPH1163	SCREW, PAN HEAD, TYPE H, M4X0.7 X 10, FT, ISO 7045, CL 4.8, BZ	2
J1	ELE1808670	HARNESS,LIGHT INTERFACE,Q6 EDGE 3 STRETTO,REAR SEAT MODULE, W/O LIFT	1
K1	ELE1808585	HARNESS, LIGHT INTERFACE, EDGE MINI, REAR SEAT MODULE, W/LIFT	1
L1	ELE1808813	HARNESS, LIGHT MODULE INTERFACE, QL3, EDGE MINI	1

1. Q-Logic 3 Electronics, REAC Lift

Q-Logic 3 Bus Cables and Multiplier Harnesses

Multipliers	A1	Primary	Male / Female Bus Cables	C1	.41m (1.3 ft.)	Female / Female Bus Cables	E1	.3m (1 ft.)
	B1	Secondary		D1	1.1m (3.5 ft.)		F1	1.1m (3.5 ft.)

Primary Secondary

M(♂) F(♀)

F(♀) F(♀)

Female Pin Connection

Male Pin Connection

Male(M)/Female(F) designation is based upon the pin orientation, not the visible appearance of the connector.

Multiplier Mounts for TB3 Seating System Backs

TB3 Back (Prior to 2020)

TB3 Redesigned Back (2020)

G1	1 Multiplier Mount Assy (Primary)	H1	2 Multiplier Mount Assy (Primary & Secondary)
<p>(20mm)</p>		<p>(40mm)</p>	
I1		3 Bank Connector Bracket Assy	
		<p>Prior Version</p>	
Ladder Style Wire Clamp & Mounting Screw			
<p>J1 K1</p>			

Item	Part No.	Name	Qty
A1	HAR144003	HARNESS, SEAT MULTIPLIER Q-LOGIC 3, (CURTIS: 17881360-02-01)	1
B1	HAR144004	HARNESS,BASE MULTIPLIER Q-LOGIC 3	1
C1	HAR144005	HARNESS, BUS EXTENSION CABLE, Q-LOGIC 3, 0.410 METER,MALE/FEMALE, (CURTIS: 17881362-01-01)	1
D1	HAR144002	HARNESS, BUS EXTENSION CABLE, Q-LOGIC 3, 1.1 METER, MALE/FEMALE, (CURTIS: 17881362-01-02)	1
E1	HAR143994	HARNESS, BUS EXTENSION CABLE, Q-LOGIC 3, 0.3 METER, FEMALE/FEMALE, (CURTIS: 17881361-01-02)	1
F1	HAR144000	HARNESS, BUS CABLE, Q-LOGIC 3, 1.1 METER, FEMALE / FEMALE, (CURTIS: 17881361-01-01)	1
G1	MEC1611656	MULTIPLIER STUD MOUNT ASSEMBLY,PRIMARY	1
H1	MEC1611657	MULTIPLIER STUD MOUNT ASSEMBLY,PRIMARY & SECONDARY	1
I1	MEC168034	BRACKET,ASSY,TB3 BACK ELECTRONICS MOUNTING HARDWARE	1
J1	HDW135288	WIRE CLIP,REUSABLE,BLACK,PLASTIC,(MICRO PLASTICS:NM22LCC1000B)	1
K1	SCRPPH1163	SCREW, PAN HEAD, TYPE H, M4X0.7 X 10, FT, ISO 7045, CL 4.8, BZ	1

1. Q-Logic 3 Electronics, REAC Lift

Q-Logic 3 Enhanced Display, Gooseneck, & Mount

*

Enhanced Display replacement requires the selection of a Pre-programmed SD Card.

*

SD Card Replacement notes:

- A Pre-programmed, Q-Logic 3 Joystick mounted SD Card is required when:
 - Replacing a Joystick, Power Base Module, Seating Module, or Display.
 - Any circumstance where all of the electronics modules require replacement.
 - When retrofitting a unit in the field to Q-Logic 3 Electronics.
- A firmware upgrade occurred requiring a system update to enable enhanced features.
- The Q-Logic 3 system will reprogram the unit based upon the information loaded onto the SD card. A new SD card ensures the unit is loaded with the latest software.
- The proper, programmed SD card must be selected to ensure the unit functions as intended.
- SD Cards are not shown. Refer to the model specific SD Card pages for selection.
- Contact Technical Service for more information.

A1 Q-Logic 3 Enhanced Display
(Shroud NOT Included)
(Select Separately)

Gooseneck Notes:


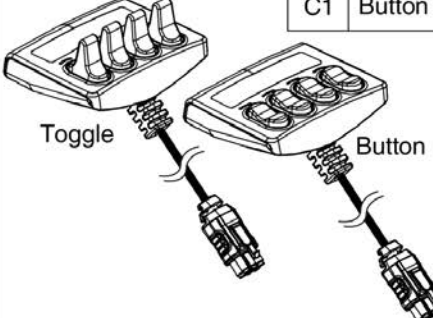
- This Gooseneck & Mounting Bracket replaces all previous versions.
- It is compatible with all versions of the Q-Logic 1, 2, & 3 Enhanced Displays.

Original Bracket	Q-Logic 1	Q-Logic 2 & 3

Item	Part No.	Name	Qty
A1	CTL143979	EXPANDABLE CONTROLLER W/ LCD COLOR DISPLAY,Q-LOGIC 3,(CURTIS:17955700-02-3409)	1
B1	DWR1010D446	MOUNTING BRACKET,FLEXIBLE,W/COPPER INSERT,DISPLAY MOUNT,D-1010-446	1
C1	MEC143421	MOUNTING BRACKET,ENHANCED DISPLAY CONTROLLER V2,QLOGIC	1
D1	SCRASBH1210	SCREW, BUTTON HEAD, .250-20 X .75, ASTM F835, BZ, PVTP	1
E1	SCRPPH1383	SCREW,PPH,BLACK ZINC,M5-.8 X 8MM	2

1. Q-Logic 3 Electronics, REAC Lift

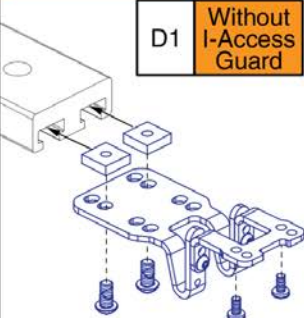
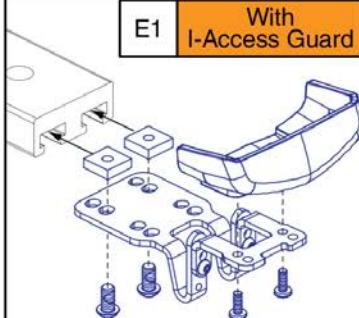
Modules (Rule 1)

A1 4-Function Push Button	I-Access	B1 Toggle
		C1 Button

Rules:

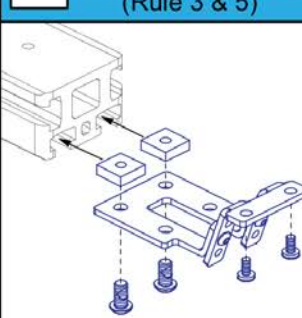
1. The 4-Function Module (A1) CAN NOT mount to the assy's that contain the I-Access Guard.
2. Assy's that contain components for mounting to the Arm Tube or Back Cane, can have the clamp hardware reversed to mount on the opposite side.
3. The Mounts are only available as an assembly. Individual components are not available for replacement unless noted.
4. The existing hardware that mounts the joystick to the joystick mounting bracket will be reused for the installation of the module mount under the joystick.
5. The TB3 Version 1 & 2 Mount (F1), the Under Joystick Mount (G1), and the Back Cane Attendant Mount CAN NOT accept the I-Access Guard.

TB3 Version 3 Flip-back Arm Mounts (Rule 3)

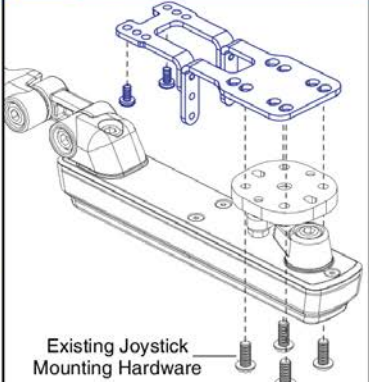
D1 Without I-Access Guard	E1 With I-Access Guard
	

TB3 Version 1 & 2 Flip-back Arm Mount (Rule 3 & 5)

F1

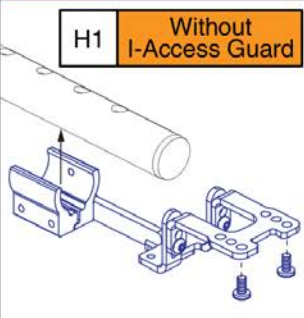
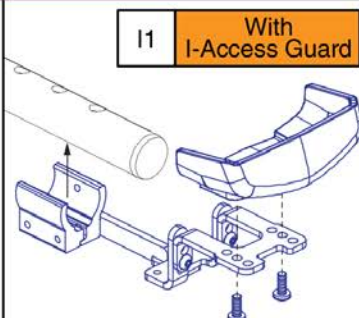


G1 Under Joystick Mount (Rules 3, 4, & 5)

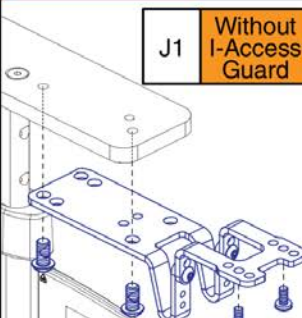
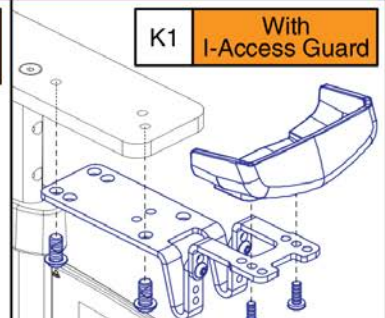


Existing Joystick Mounting Hardware

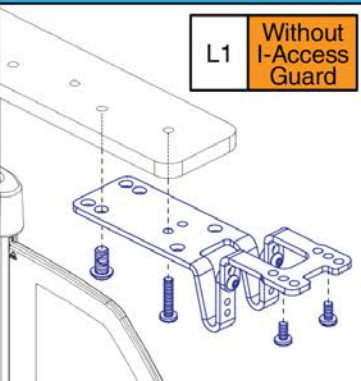
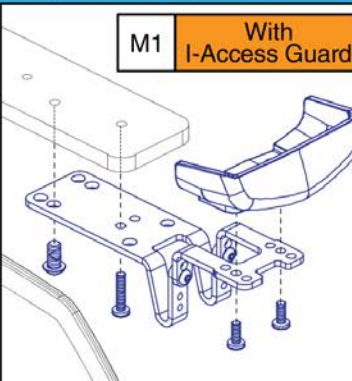
Tubular Arm Mounts (Rules 2 & 3)

H1 Without I-Access Guard	I1 With I-Access Guard
	

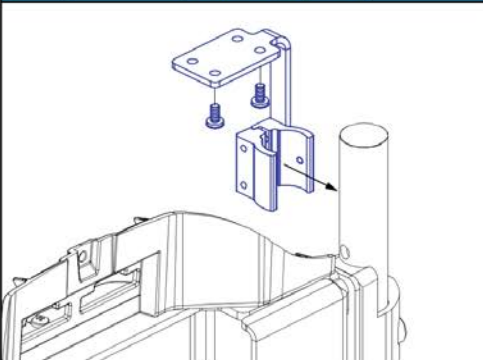
TB Flex T-Arm, Desk Length Mounts (Rule 3)

J1 Without I-Access Guard	K1 With I-Access Guard
	

TB Flex T-Arm, Full Length Mounts (Rule 3)

L1 Without I-Access Guard	M1 With I-Access Guard
	

N1 TB3 Back Cane Attendant Mounts (Rules 2, 3, & 5)



I-Access & 4-Function Seating Modules & Mounts

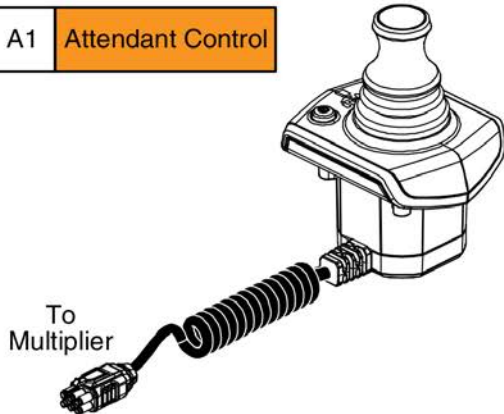


Item	Part No.	Name	Qty
A1	CTL123218	CONTROLLER,4-FUNCTION PUSH BUTTON,(CURTIS: 17682700)	1
B1	CTL144010	IACCESS ENHANCED SWITCH MODULE,Q-LOGIC 3,TOGGLE BUTTON,(CURTIS:17966700-4109)	1
C1	CTL144009	IACCESS ENHANCED SWITCH MODULE,Q-LOGIC 3,FLAT BUTTON,(CURTIS:17966700-4009)	1
D1	MEC1906531	MOUNTING BRACKET,ASSY,4-FUNCTION PUSH BUTTON/IACCESS,FOR NEW FLIP BACK ARM,W/HARDWARE	1
E1	MEC2001392	MOUNTING BRACKET,ASSY,4-FUNCTION PUSH BUTTON/IACCESS,FOR NEW FLIP BACK ARM,W/GUARD	1
F1	MEC136981	MOUNTING BRACKET,ASSY,4-FUNCTION PUSH BUTTON,W/EXTENSION & MOUNTING HARDWARE,TRU-BALANCE 3	1
G1	MEC1907500	MOUNTING BRACKET,ASSY,4-FUNCTION PUSH BUTTON/IACCESS,JOYSTICK MOUNT,W/HARDWARE	1
H1	MEC1906530	MOUNTING BRACKET,ASSY,4-FUNCTION PUSH BUTTON/IACCESS,UNDER ARM MOUNT FOR TUBE ARM,W/HARDWARE	1
I1	MEC2001391	MOUNTING BRACKET,ASSY,4-FUNCTION PUSH BUTTON/IACCESS,UNDER ARM MOUNT FOR TUBE ARM,W/GUARD	1
J1	MEC2001395	MOUNTING BRACKET,ASSY,4-FUNCTION PUSH BUTTON/IACCESS,UNDER ARM MOUNT FOR DESK TBFLEX ARM,W/HARDWARE	1
K1	MEC2001400	MOUNTING BRACKET,ASSY,4-FUNCTION PUSH BUTTON/IACCESS,UNDER ARM MOUNT FOR DESK TBFLEX ARM,W/GUARD	1
L1	MEC1906565	MOUNTING BRACKET,ASSY,4-FUNCTION PUSH BUTTON/IACCESS,UNDER ARM MOUNT FOR TBFLEX ARM,W/HARDWARE	1
M1	MEC2001401	MOUNTING BRACKET,ASSY,4-FUNCTION PUSH BUTTON/IACCESS,UNDER ARM MOUNT FOR FULL TBFLEX ARM,W/GUARD	1
N1	MEC1906564	MOUNTING BRACKET,ASSY,4-FUNCTION PUSH BUTTON/IACCESS,ATTENDANT MOUNT,W/HARDWARE	1

1. Q-Logic 3 Electronics, REAC Lift

Q-Logic 3 Attendant Control & Mounts for TB3 Seating System

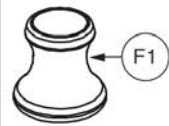
A1 Attendant Control



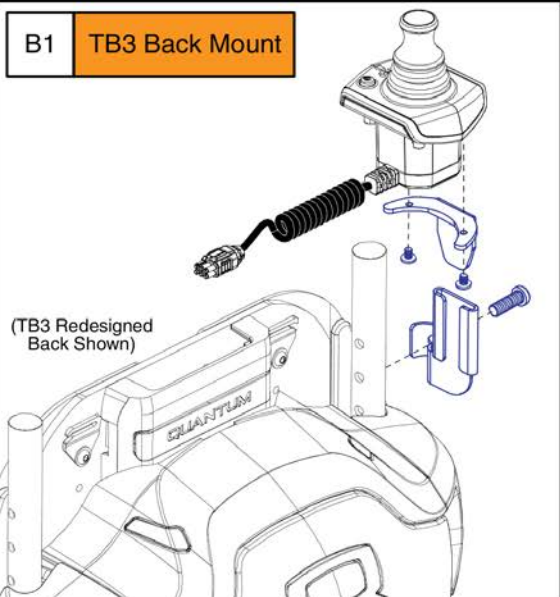
Attendant Control Notes:

- Must be used in conjunction with an Enhanced Display or Q-Logic 3 Joystick.
- Mounting options are listed below.
- The Attendant Control is equipped with a "Curly" bus cable.

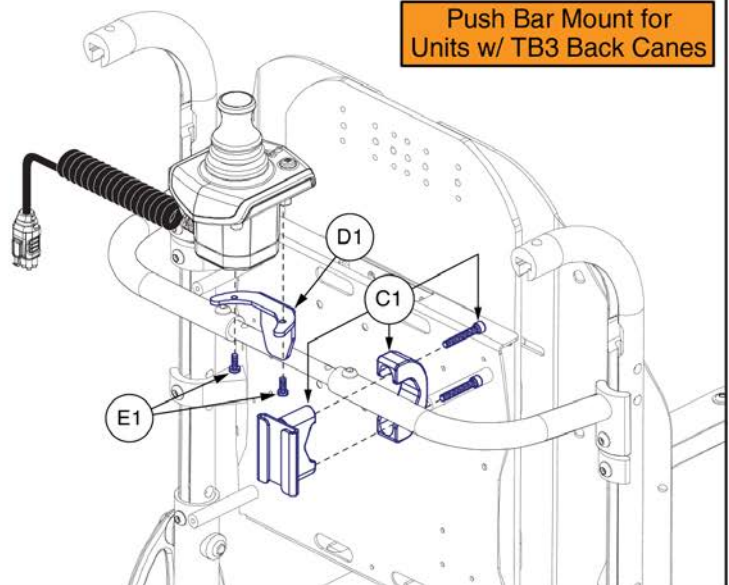
Knob



B1 TB3 Back Mount

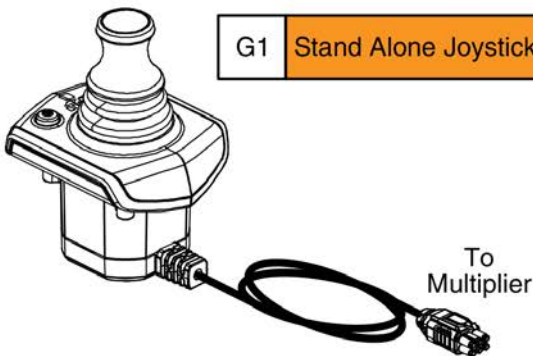


Push Bar Mount for Units w/ TB3 Back Canes

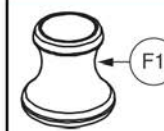


Q-Logic 3 Stand Alone Joystick

G1 Stand Alone Joystick (SAJ)



Knob



Stand Alone Joystick Notes:

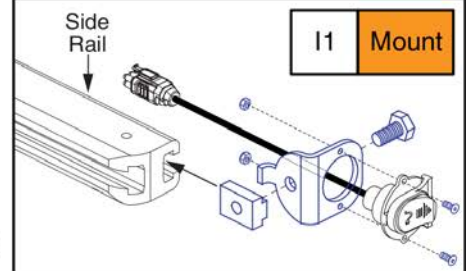
- Must be used in conjunction with an Enhanced Display or Q-Logic 3 Joystick.
- The SAJ mounts to the seating system arms and the mounting options are contained within the Power Base Joystick Mounts & Receivers Sections.

SAJ Charging / Programming Harness & Side Rail Mount

H1 Harness



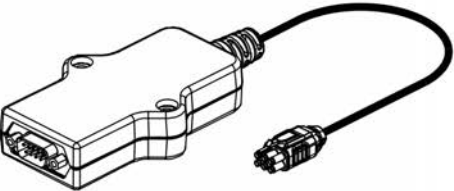
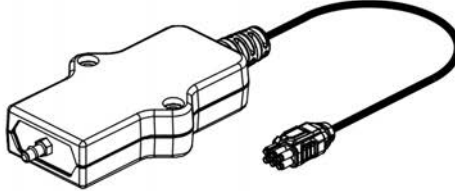
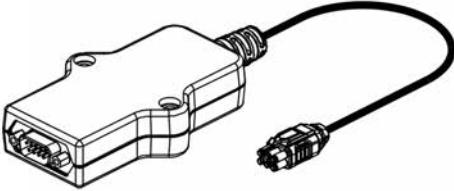
I1 Mount



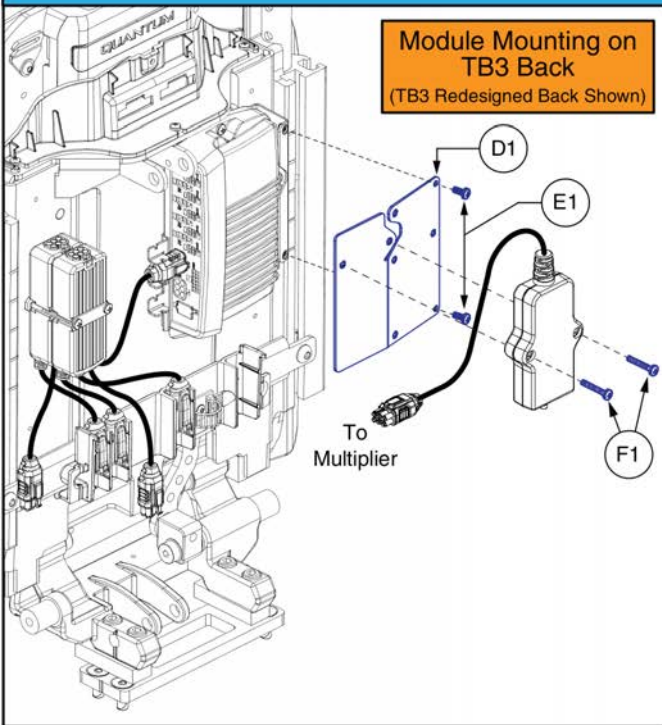
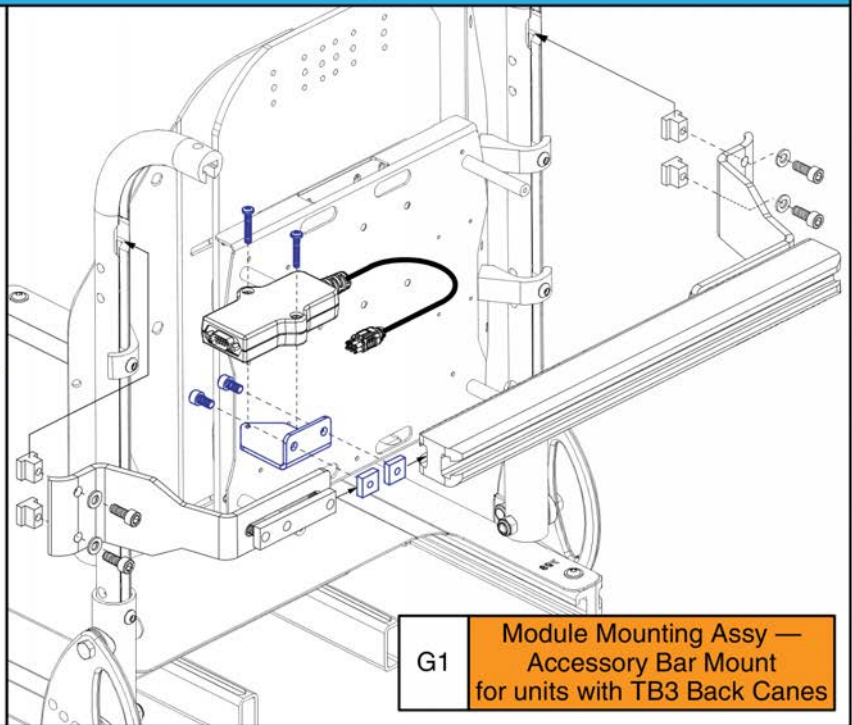
Item	Part No.	Name	Qty
A1	CTL143981	ATTENDANT CONTROL MODULE,Q-LOGIC 3,(CURTIS:17962700-2109)	1
B1	MEC125270	MOUNTING BRACKET,ASSY,ATTENDANT CONTROL,TRU-BALANCE 3	1
C1	FRMASMB10455	MOUNTING BRACKET,ASSY,ATTENDANT CONTROL,C-1010-285	1
D1	DWR1010D298	MOUNTING BRACKET,ATTENDANT BRACKET,CURTIS STAND ALONE JOYSTICK,D-1010-298	1
E1	SCRPPH1036	SCREW, PAN HEAD, TYPE H, M4X0.7 X 8, FT, ISO 7045, CL 4.8, BZ	2
F1	DGN154742	JOYSTICK, KNOB, Q-LOGIC 3, 6.35MM-ID, (CURTIS: 17519114-01)	1
G1	CTL143980	STANDALONE JOYSTICK, Q-LOGIC 3, (CURTIS: 17953700-1109)	1
H1	HAR144001	HARNESS, CHARGER/PROGRAMMER, Q-LOGIC 3, 0.9 METER,(CURTIS: 17880701)	1
I1	FRMASMB11156	MOUNTING BRACKET,ASSY,STAND ALONE JOYSTICK,SIDE RAIL MOUNT,C-1360-163	1

1. Q-Logic 3 Electronics, REAC Lift

Alternative Control Modules

<p>A1 SCIM Module (Specialty Control Interface Module)</p>	<p>B1 Sip and Puff Module</p>	<p>C1 ECM Module (Environmental Control Module)</p>
		
<p>Note: Mounting a combination of the ECM, SCIM, and Sip & Puff modules simultaneously is only available through SOF.</p>		

Alternative Control Module Mounts for TB3 Seating System

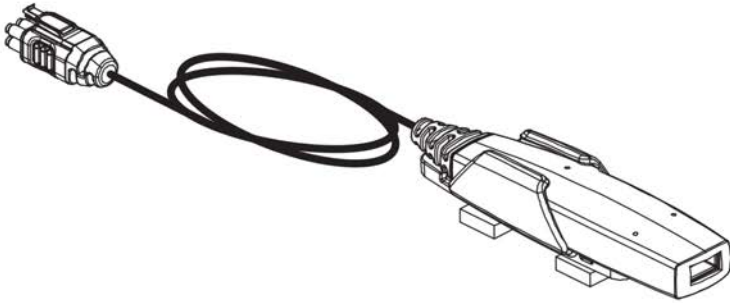
 <p>Module Mounting on TB3 Back (TB3 Redesigned Back Shown)</p>	 <p>G1 Module Mounting Assy — Accessory Bar Mount for units with TB3 Back Canes</p>
------------------------------------------------------------------------------------------------------------------------------------------------------	--------------------------------------------------------------------------------------------------------------------------------------------------------------------------------

Item	Part No.	Name	Qty
A1	CTL143988	SPECIALTY CONTROL INTERFACE MODULE,Q-LOGIC 3,(SCIM),(CURTIS:17950700-1009)	1
B1	CTL143990	SIP & PUFF MODULE,Q-LOGIC 3,(CURTIS:17961700-0009)	1
C1	CTL143989	ENVIRONMENTAL CONTROL MODULE, Q-LOGIC 3	1
D1	MEC162072	SPECIALTY CONTROLS SEATBACK BRACKET LID ASSEMBLY	1
E1	SCRPPH1163	SCREW, PAN HEAD, TYPE H, M4X0.7 X 10, FT, ISO 7045, CL 4.8, BZ	2
F1	SCRPPH1103	SCREW,PPH,BLACK ZINC,M4-.7 X 25MM	2
G1	MEC138192	BRACKET,ASSY,SCIM,ACCESSORY BAR MOUNT,TRU-BALANCE 3	1

1. Q-Logic 3 Electronics, REAC Lift

Q-Logic 3 USB Charger Module Assy

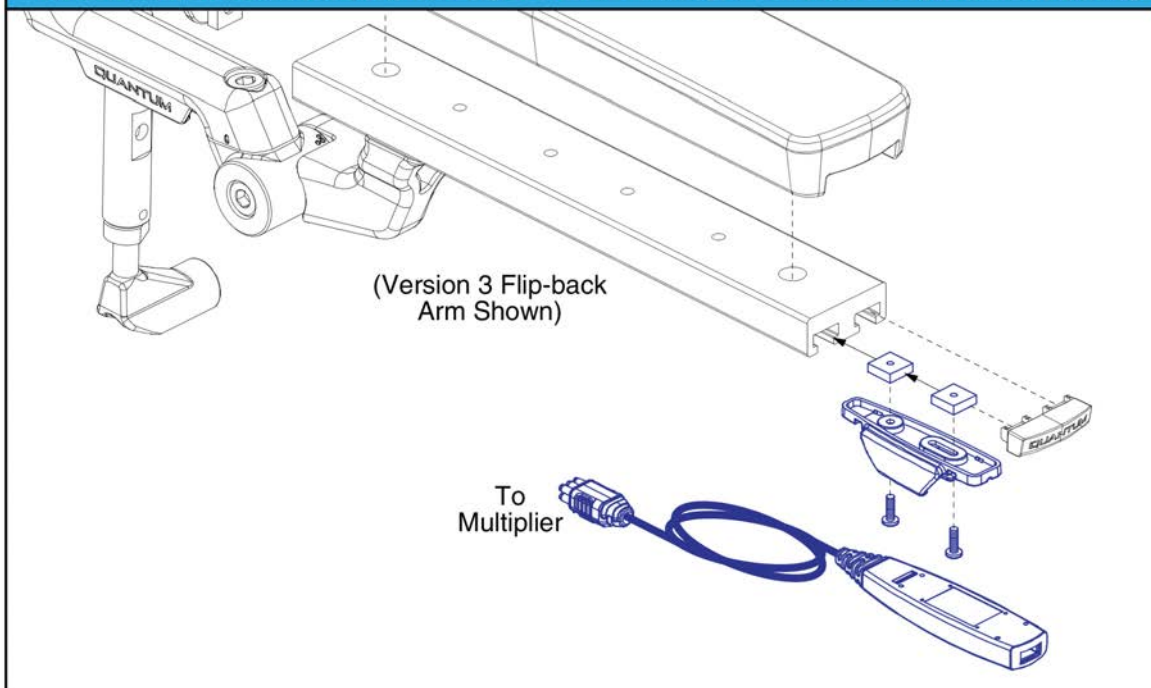
A1 Complete USB Charger Module Assy



USB Charger Module Notes:

- The assembly includes the slot-nut mounting hardware and the installation instructions.
- The assembly can mount to any channel that accepts slot / t-nut hardware.
- It is recommended to mount the module in an area that is not susceptible to impacts or snags.
- A multiplier harness is required for operation.
- The usb charger is rated at 1A.
- The module output is switched on when the Q-Logic system is powered on.

Standard (Recommended) Q-Logic 3 USB Charger Module Assy Arm Mounting

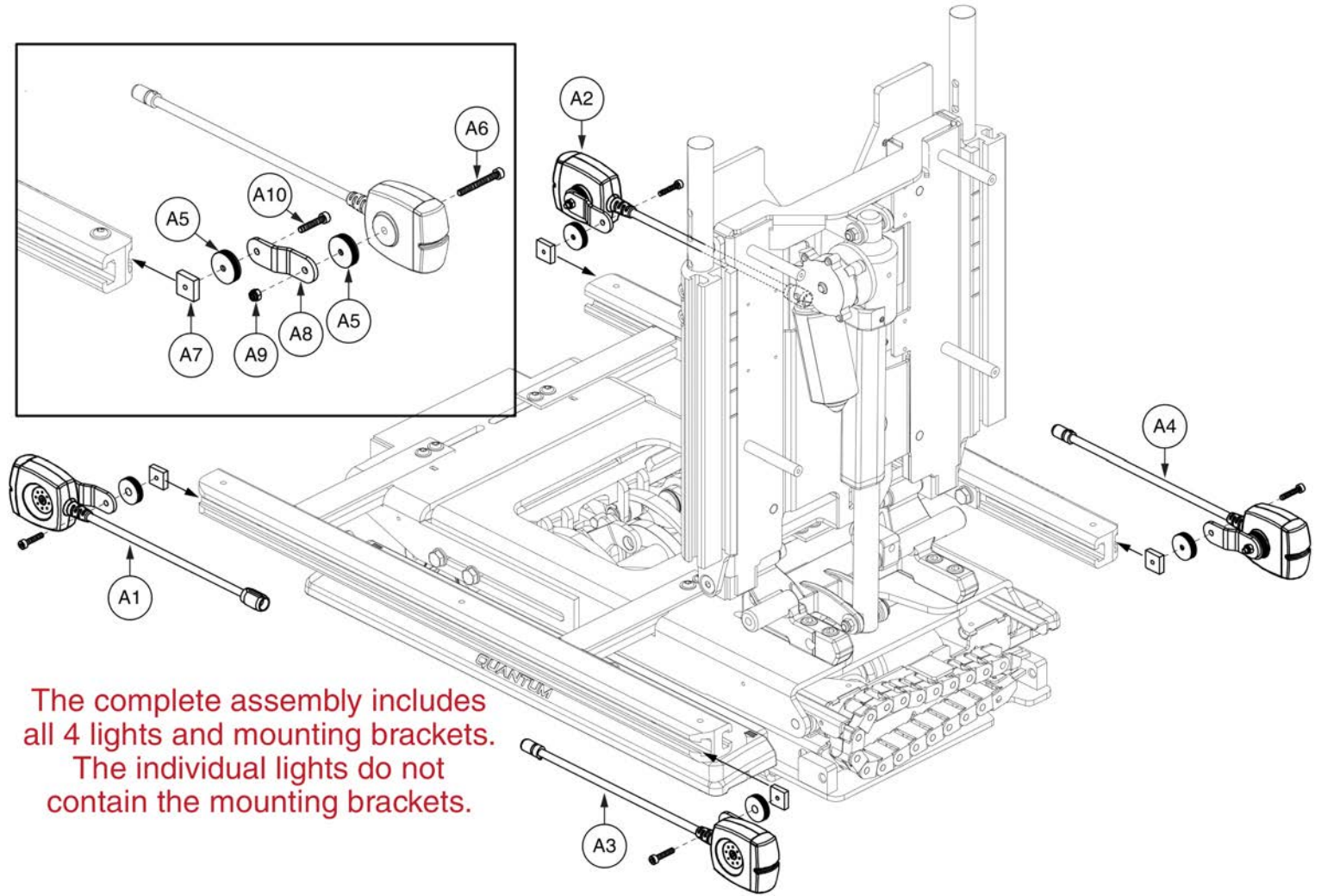


Q-Logic 3 USB Charger Module Assy



Item	Part No.	Name	Qty
A1	ELE168069	ELECTRONIC,ASSY,USB CHARGER,Q-LOGIC 3,W/MOUNTING BRACKET,HARDWARE	1

1. Q-Logic 3 Electronics, REAC Lift



The complete assembly includes all 4 lights and mounting brackets.
The individual lights do not contain the mounting brackets.

Standard Config. LED Light Assy, REAC Lift

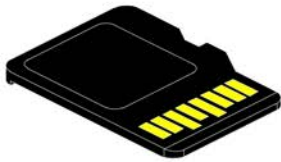


Item	Part No.	Name	Qty
A1 - A10	ELE131477	FULL LIGHT,ASSY,LED LIGHTS,TRU-BALANCE 3	1
A1	ELEASMB7120023	FULL LIGHT,ASSY,WHITE/AMBER,LED E-MARKED LIGHTS,SYNERGY,FRONT/LEFT,ELEASMB7120023	1
A2	ELEASMB7120024	FULL LIGHT,ASSY,WHITE/AMBER,LED LIGHTS,SYNERGY,FRONT/RIGHT,ELEASMB7120024	1
A3	ELEASMB7120025	LIGHT,ASSY,RED/AMBER,LED E-MARKED LIGHTS,SYNERGY,REAR/LEFT,ELEASMB7120025	1
A4	ELEASMB7120026	LIGHT,ASSY,RED/AMBER,LED E-MARKED LIGHTS,SYNERGY,REAR/RIGHT,ELEASMB7120026	1
A5	DWR1010B161	SPACER,BLACK,PLASTIC,0.157" ID X 0.866" OD X 0.22" TH,B-1010-161	8
A6	SCRSHCS1237	SCREW,SHCS,BLACK ZINC,M4-.7 X 35MM	4
A7	MEC121720	NUT,T-SLOT,M4 X 0.7,TRU-BALANCE 3	4
A8	MEC131475	LIGHT BRACKET,TRU-BALANCE 3	4
A9	NUTNYLK1065	NUT,NYLOCK,BLACK ZINC,M4-.7	4
A10	SCRSHCS1096	SCREW,SHCS,BLACK ZINC,M4-.7 X 20MM	4

Q-Logic 3 SD Cards

Q-Logic 3 SD Card Master List - 4Front

Ref#	Part Number	Motor Type	Options
A1	ELE1712717	6 mph Linix	Power Positioning, w/Anti-tips
B1	ELE1712722	6 mph Linix	Static, w/Anti-tips
C1	ELE1712725	5 mph Linix	Power Positioning, w/o Anti-tips
D1	ELE1712724	5 mph Linix	Static, w/o Anti-tips



Pre-programmed
Micro SD Card

Please note:

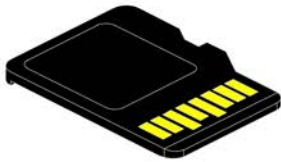
- Pre-programmed SD Cards are required when:
 - Replacing a Joystick, Power Base Module, or Seating Module. A firmware upgrade occurred requiring a system update to enable all of the enhanced features.
 - Any circumstance where all of the electronics modules require replacement.
- The Q-Logic 3 system will reprogram the unit based upon the information loaded onto the SD card.
- The proper, programmed SD card must be selected to ensure the unit functions as intended.

Q-Logic 3 SD Cards for 4Front



Item	Part No.	Name	Qty
A1	ELE1712717	SERVICEABLE ASSEMBLY,SD CARD,Q-LOGIC 3,4FRONT WITH ANTI-TIPS PROGRAM,6MPH LINIX MOTORS,POWER POSITIONING	1
B1	ELE1712722	SERVICEABLE ASSEMBLY,SD CARD,Q-LOGIC 3,4FRONT WITH ANTITIPSPROGRAM,6MPH LINIX MOTORS,STATIC SEATING	1
C1	ELE1712725	SERVICEABLE ASSEMBLY,SD CARD,Q-LOGIC 3,4FRONT WITHOUT ANTI-TIPS PROGRAM,5MPH LINIX MOTORS,POWER POSITIONING	1
D1	ELE1712724	SERVICEABLE ASSEMBLY,SD CARD,Q-LOGIC 3,4FRONT WITHOUT ANTI-TIPS PROGRAM,5MPH LINIX MOTORS,STATIC SEATING	1

Q-Logic 3 SD Cards



Pre-programmed
Micro SD Card

Q-Logic 3 SD Card Master List - Q6 Edge 3			
Ref#	Part Number	Motor Type	Options
A1	ELE1805110	6 mph Linix	Power Positioning
B1	ELE1805112	6 mph Linix	Static
C1	ELE1805113	6 mph Linix, Accu Trac	Power Positioning
D1	ELE1805111	6 mph Linix, Accu Trac	Static

Please note:

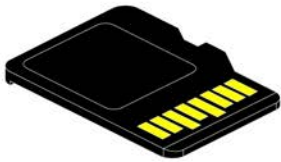
- Pre-programmed SD Cards are required when:
 - Replacing a Joystick, Power Base Module, or Seating Module. A firmware upgrade occurred requiring a system update to enable all of the enhanced features.
 - Any circumstance where all of the electronics modules require replacement.
- The Q-Logic 3 system will reprogram the unit based upon the information loaded onto the SD card.
- The proper, programmed SD card must be selected to ensure the unit functions as intended.

Q-Logic 3 SD Cards for Edge 3



Item	Part No.	Name	Qty
A1	ELE1805110	SERVICEABLE ASSEMBLY,SD CARD,Q6EDGE3 PROGRAM,6MPH LINIX MOTORS,Q-LOGIC 3,POWER POSITIONING	1
B1	ELE1805112	SERVICEABLE ASSEMBLY,SD CARD,Q6EDGE 3 PROGRAM,6MPH LINIX MOTORS,Q-LOGIC 3,STATIC SEATING	1
C1	ELE1805113	SERVICEABLE ASSEMBLY,SD CARD,Q6EDGE3 PROGRAM,6MPH LINIX MOTORS ACCU TRAC,Q-LOGIC3,POWER POSITIONING	1
D1	ELE1805111	SERVICEABLE ASSEMBLY,SD CARD,Q6EDGE 3 PROGRAM,6MPH LINIX MOTORS,Q-LOGIC 3,ACCU TRAC,STATIC SEATING	1

Q-Logic 3 SD Cards



Pre-programmed
Micro SD Card

Q-Logic 3 SD Card Master List - Q6 Edge HD			
Ref#	Part Number	Motor Type	Options
A1	ELE1805107	4.5 mph Hammer II	Power Positioning
B1	ELE1805109	4.5 mph Hammer II	Static

Please note:

- Pre-programmed SD Cards are required when:
 - Replacing a Joystick, Power Base Module, or Seating Module. A firmware upgrade occurred requiring a system update to enable all of the enhanced features.
 - Any circumstance where all of the electronics modules require replacement.
- The Q-Logic 3 system will reprogram the unit based upon the information loaded onto the SD card.
- The proper, programmed SD card must be selected to ensure the unit functions as intended.

Q-Logic 3 SD Cards for Edge HD



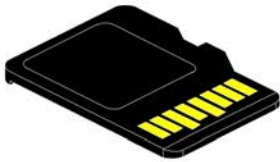
Item	Part No.	Name	Qty
A1	ELE1805107	SERVICEABLE ASSEMBLY, SD CARD, Q6EDGE HD, Q-LOGIC 3,HAMMER II 4.5MPH MOTORS,POWER POSITIONING	1
B1	ELE1805109	SERVICEABLE ASSEMBLY, SD CARD, Q6EDGE HD, Q-LOGIC 3,HAMMER II 4.5MPH MOTORS, STATIC SEATING	1

Q-Logic 3 SD Cards

Q-Logic 3 SD Card Master List - Q6 Edge 2.0			
Ref#	Part Number	Motor Type	Options
A1	ELE1700789	6 mph Linix	Power Positioning
B1	ELE1700824	6 mph Linix	Static
C1	ELE1700826	6 mph Linix, Accu Trac	Power Positioning
D1	ELE1700827	6 mph Linix, Accu Trac	Static

Please note:

- Pre-programmed SD Cards are required when:
 - Replacing a Joystick, Power Base Module, or Seating Module. A firmware upgrade occurred requiring a system update to enable all of the enhanced features.
 - Any circumstance where all of the electronics modules require replacement.
- The Q-Logic 3 system will reprogram the unit based upon the information loaded onto the SD card.
- The proper, programmed SD card must be selected to ensure the unit functions as intended.



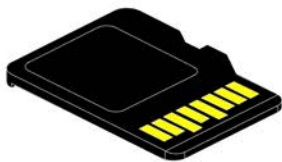
Pre-programmed Micro SD Card

Q-Logic 3 SD Cards for Edge 2.0



Item	Part No.	Name	Qty
A1	ELE1700789	SERVICABLE ASSEMBLY, SD CARD, Q-LOGIC 3, Q6EDGE 2, 6MPH LINIX MOTORS, POWER POSTIONING	1
B1	ELE1700824	SERVICABLE ASSEMBLY, SD CARD, Q-LOGIC 3, Q6EDGE 2, 6MPH LINIX MOTORS, STATIC SEATING	1
C1	ELE1700826	SERVICABLE ASSEMBLY, SD CARD, Q-LOGIC 3, Q6EDGE 2, 6MPH LINIX MOTORS ACCU TRAC, POWER POSITIONING	1
D1	ELE1700827	SERVICABLE ASSEMBLY, SD CARD, Q-LOGIC 3, Q6EDGE 2, 6MPH LINIX MOTORS ACCU TRAC, STATIC SEATING	1

Q-Logic 3 SD Cards



Pre-programmed
Micro SD Card

Q-Logic 3 SD Card Master List - Q6 Edge 3 Stretto				
Ref#	Part Number	Motor Program	Drive Wheels	Options
A1	ELE1908264	6.25 mph	12 Inch	Static
B1	ELE1908260	6.25 mph	12 Inch	Power Positioning
C1	ELE1908263	6.25 mph	14 Inch	Static
D1	ELE1908262	6.25 mph	14 Inch	Power Positioning

Please note:

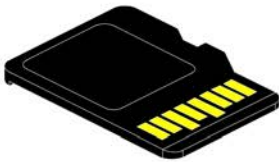
- Pre-programmed SD Cards are required when:
 - Replacing a Joystick, Power Base Module, or Seating Module. A firmware upgrade occurred requiring a system update to enable all of the enhanced features.
 - Any circumstance where all of the electronics modules require replacement.
- The Q-Logic 3 system will reprogram the unit based upon the information loaded onto the SD card.
- The proper, programmed SD card must be selected to ensure the unit functions as intended.

Item	Part No.	Name	Qty
A1	ELE1908264	SERVICEABLE ASSEMBLY, SD CARD, Q6EDGE 3 STRETTO 12 INCH TIRES, PROGRAM,6.25MPH LINIX MOTORS,Q-LOGIC 3, STATIC SEATING	1
B1	ELE1908260	SERVICEABLE ASSEMBLY, SD CARD, Q6EDGE 3 STRETTO 12 INCH TIRES, PROGRAM,6.25MPH LINIX MOTORS,Q-LOGIC 3, POWER POSITIONING.	1
C1	ELE1908263	SERVICEABLE ASSEMBLY, SD CARD, Q6EDGE 3 STRETTO 14 INCH TIRES, PROGRAM,6.25MPH LINIX MOTORS,Q-LOGIC 3, STATIC SEATING	1
D1	ELE1908262	SERVICEABLE ASSEMBLY, SD CARD, Q6EDGE 3 STRETTO 14 INCH TIRES, PROGRAM,6.25MPH LINIX MOTORS,Q-LOGIC 3, POWER POSITIONING.	1

Q-Logic 3 SD Cards

Q-Logic 3 SD Card Master List - Q1450

Ref#	Part Number	Motor Type	Options
A1	ELE2000743	Hammer II	Static
B1	ELE2000745	Hammer II	Power Positioning



**Pre-programmed
Micro SD Card**

Please note:

- Pre-programmed SD Cards are required when:
 - Replacing a Joystick, Power Base Module, or Seating Module. A firmware upgrade occurred requiring a system update to enable all of the enhanced features.
 - Any circumstance where all of the electronics modules require replacement.
- The Q-Logic 3 system will reprogram the unit based upon the information loaded onto the SD card.
- The proper, programmed SD card must be selected to ensure the unit functions as intended.

Q-Logic 3 SD Cards for Q1450

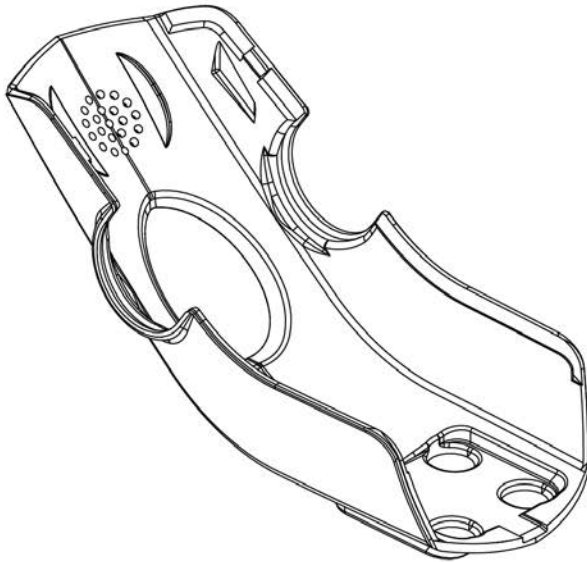


Item	Part No.	Name	Qty
A1	ELE2000743	SERVICABLE ASSEMBLY,SD CARD,Q-LOGIC 3,QUANTUM 1450,4.5MPH HAMMER II MOTORS, STATIC SEATING	1
B1	ELE2000745	SERVICABLE ASSEMBLY,SD CARD,Q-LOGIC 3,QUANTUM 1450,4.5MPH HAMMER II MOTORS,POWER POSTIONING	1

Q-Logic 2 & 3 Joystick & Enhanced Display Shrouds

***Please Note:**

- The joystick shrouds are available in all the Quantum colors listed.
- Power base colors vary by model and some colors listed may not be available on all power bases. See the Quantum Color Reference Chart for color options.
- Some colors listed may have prolonged lead times.
- Contact Technical Service for more information.



Q-Logic 2 (Pre 2015)	
Ref#	Color Name
A1	Std., Soft Touch
A2	Black
A3	Silver
A4	Candy Apple Red
A5	Pearl Pink
A6	Sapphire Blue
A7	True Blue
A8	Viper Blue
A9	Emerald Green
A10	Orion Yellow
A11	Sunburst Orange

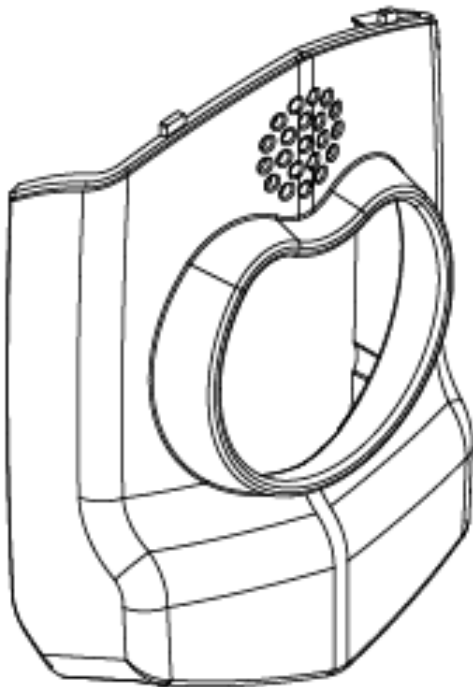
Q-Logic 2 (Post 2015) & Q-Logic 3	
Ref#	Color Name
B1	Std., Soft Touch
B2	Back in Black
B3	Night Train
B4	Grey Street
B5	Silver Bullet
B6	White Satin
B7	Red Corvette
B8	Cherry Bomb
B9	Pretty in Pink
B10	Raspberry Beret
B11	Sugar Plum
B12	Deep Purple
B13	Midnight Blue
B14	Electric Blue
B15	Blue Jean
B16	Green Machine
B17	Military Green
B18	Lime Light
B19	Yellow Blaze
B20	Lemon Crush
B21	Orange Crush
B22	Evolution Orange
B23	Carbon Fiber
B24	Digital Camo
B25	Faded Glory

Q-Logic 2 & 3 Joystick Shrouds



Item	Part No.	Name	Qty
A1	DGN124307	Q-LOGIC 2/3 JOYSTICK SHROUD,BLACK SOFT-TOUCH PAINT,(CURTIS: 17949365-02)	1
A2	DGN124336-PBK1	Q-LOGIC 2/3 JOYSTICK SHROUD,PPW-BLK-01 (BACK IN BLACK/BLACK)	1
A3	DGN124336-PSL1	Q-LOGIC 2/3 JOYSTICK SHROUD,PPW-SIL-01 (SILVER)	1
A4	DGN124336-PRD1	Q-LOGIC 2/3 JOYSTICK SHROUD,PPW-RED-01 (RED CORVETTE/CANDY APPLE RED)	1
A5	DGN124336-PPK1	Q-LOGIC 2/3 JOYSTICK SHROUD,PPW-PNK-01 (PEARL PINK)	1
A6	DGN124336-PPR4	Q-LOGIC 2/3 JOYSTICK SHROUD,PPW-PRP-04 (SAPPHIRE BLUE)	1
A7	DGN124336-PBU9	Q-LOGIC 2/3 JOYSTICK SHROUD,PPW-BLU-09 (ELECTRIC BLUE/TRUE BLUE)	1
A8	DGN124336-PBU1	Q-LOGIC 2/3 JOYSTICK SHROUD,PPW-BLU-01 (VIPER BLUE)	1
A9	DGN124336-PGN5	Q-LOGIC 2/3 JOYSTICK SHROUD,PPW-GRN-05 (EMERALD GREEN)	1
A10	DGN124336-PYL3	Q-LOGIC 2/3 JOYSTICK SHROUD,PPW-YEL-03 (YELLOW BLAZE/ORION YELLOW)	1
A11	DGN124336-POR4	Q-LOGIC 2/3 JOYSTICK SHROUD,PPW-ORN-04 (SUNBURST ORANGE)	1
B1	DGN124307	Q-LOGIC 2/3 JOYSTICK SHROUD,BLACK SOFT-TOUCH PAINT,(CURTIS: 17949365-02)	1
B2	DGN124336-PBK1	Q-LOGIC 2/3 JOYSTICK SHROUD,PPW-BLK-01 (BACK IN BLACK/BLACK)	1
B3	DGN124336-PBK3	Q-LOGIC 2/3 JOYSTICK SHROUD,PPW-BLK-03 (NIGHT TRAIN)	1
B4	DGN124336-PSL3	Q-LOGIC 2/3 JOYSTICK SHROUD,PPW-SIL-03 (GREY STREET)	1
B5	DGN124336-PSL7	Q-LOGIC 2/3 JOYSTICK SHROUD,PPW-SIL-07 (SILVER BULLET)	1
B6	DGN124336-PWH2	Q-LOGIC 2/3 JOYSTICK SHROUD,PPW-WHT-02 (WHITE SATIN)	1
B7	DGN124336-PRD1	Q-LOGIC 2/3 JOYSTICK SHROUD,PPW-RED-01 (RED CORVETTE/CANDY APPLE RED)	1
B8	DGN124336-PRD4	Q-LOGIC 2/3 JOYSTICK SHROUD,PPW-RED-04 (CHERRY BOMB)	1
B9	DGN124336-PPK3	Q-LOGIC 2/3 JOYSTICK SHROUD,PPW-PNK-03 (PRETTY IN PINK)	1
B10	DGN124336-PPK4	Q-LOGIC 2/3 JOYSTICK SHROUD,PPW-PNK-04 (RASPBERRY BERET)	1
B11	DGN124336-PPR7	Q-LOGIC 2/3 JOYSTICK SHROUD,PPW-PRP-07 (SUGAR PLUM)	1
B12	DGN124336-PPR5	Q-LOGIC 2/3 JOYSTICK SHROUD,PPW-PRP-05 (DEEP PURPLE)	1
B13	DGN124336-PBU10	Q-LOGIC 2/3 JOYSTICK SHROUD,PPW-BLU-10 (MIDNIGHT BLUE)	1
B14	DGN124336-PBU9	Q-LOGIC 2/3 JOYSTICK SHROUD,PPW-BLU-09 (ELECTRIC BLUE/TRUE BLUE)	1
B15	DGN124336-PBU11	Q-LOGIC 2/3 JOYSTICK SHROUD,PPW-BLU-11 (BLUE JEAN)	1
B16	DGN124336-PGN11	Q-LOGIC 2/3 JOYSTICK SHROUD,PPW-GRN-11 (GREEN MACHINE)	1
B17	DGN124336-PGN8	Q-LOGIC 2/3 JOYSTICK SHROUD,PPW-GRN-08 (MILITARY GREEN)	1
B18	DGN124336-PGN7	Q-LOGIC 2/3 JOYSTICK SHROUD,PPW-GRN-07 (LIME LIGHT)	1
B19	DGN124336-PYL3	Q-LOGIC 2/3 JOYSTICK SHROUD,PPW-YEL-03 (YELLOW BLAZE/ORION YELLOW)	1
B20	DGN124336-PYL4	Q-LOGIC 2/3 JOYSTICK SHROUD,PPW-YEL-04 (LEMON CRUSH)	1
B21	DGN124336-POR6	Q-LOGIC 2/3 JOYSTICK SHROUD,PPW-ORN-06 (ORANGE CRUSH)	1
B22	DGN124336-POR7	Q-LOGIC 2/3 JOYSTICK SHROUD,PPW-ORN-07 (EVOLUTION ORANGE)	1
B23	DGN124336-WCB1	Q-LOGIC 2/3 JOYSTICK SHROUD,PWT-CBN-01 (CARBON FIBER)	1
B24	DGN124336-WCM7	Q-LOGIC 2/3 JOYSTICK SHROUD,PWT-CMO-07 (MILITARY DIGITAL CAMO)	1
B25	DGN124336-WFL2	Q-LOGIC 2/3 JOYSTICK SHROUD,PWT-FLG-02 (FADED GLORY)	1

Q-Logic 2 & 3 Joystick & Enhanced Display Shrouds



****Note: Some color options may have prolonged lead times. Please contact Tech Service for availability.****

Q-Logic 2 (Post 2015) & Q-Logic 3

Ref#	Color Name	Part Suffix	Color Code
B1	Std., Soft Touch	—	—
B2	Back in Black	PBK1	PPW-BLK-01
B3	Night Train	PBK3	PPW-BLK-03
B4	Grey Street	PSL3	PPW-SIL-03
B5	Silver Bullet	PSL7	PPW-SIL-07
B6	White Satin	PWT2	PPW-WHT-02
B7	Red Corvette	PRD1	PPW-RED-01
B8	Cherry Bomb	PRD4	PPW-RED-04
B9	Pretty in Pink	PPK3	PPW-PNK-03
B10	Raspberry Beret	PPK4	PPW-PNK-04
B11	Sugar Plum	PPR7	PPW-PRP-07
B12	Deep Purple	PPR5	PPW-PRP-05
B13	Midnight Blue	PBU10	PPW-BLU-10
B14	Electric Blue	PBU9	PPW-BLU-09
B15	Blue Jean	PBU11	PPW-BLU-11
B16	Green Machine	PGN11	PPW-GRN-11
B17	Military Green	PGN8	PPW-GRN-08
B18	Lime Light	PGN7	PPW-GRN-07
B19	Yellow Blaze	PYL3	PPW-YEL-03
B20	Lemon Crush	PYL4	PPW-YEL-04
B21	Orange Crush	POR6	PPW-ORN-06
B22	Evolution Orange	POR7	PPW-ORN-07
B23	Carbon Fiber	WCB1	PWT-CBN-01
B24	Digital Camo	WCM7	PWT-CMO-07
B25	Faded Glory	WFL2	PWT-FLG-02

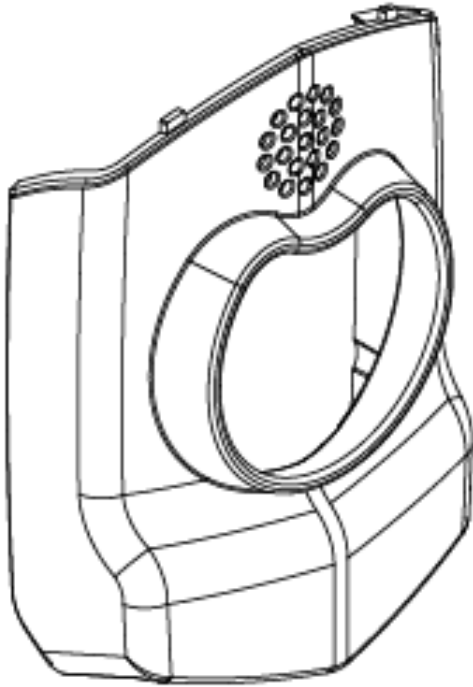
Q-Logic 2 (Pre 2015)

Ref#	Color Name	Part Suffix	Color Code
A1	Std., Soft Touch	—	—
A2	Black	PBK1	PPW-BLK-01
A3	Silver	PSL1	PPW-SIL-01
A4	Candy Apple Red	PRD1	PPW-RED-01
A5	Pearl Pink	PPK1	PPW-PNK-01
A6	Sapphire Blue	PPR4	PPW-PRP-04
A7	True Blue	PBU9	PPW-BLU-09
A8	Viper Blue	PRD1	PPW-BLU-01
A9	Emerald Green	PGN5	PPW-GRN-05
A10	Orion Yellow	PYL3	PPW-YEL-03
A11	Sunburst Orange	POR1	PPW-ORN-01

Q-Logic 2 & 3 Enhanced Display Shrouds



Item	Part No.	Name	Qty
A1	DGN137728	ENHANCED DISPLAY 2.0 SHROUD, BLACK SOFT-TOUCH PAINT, QLOGIC 2	1
A2	DGN137729-PBK1	ENHANCED DISPLAY MODULE 2.0 SHROUD, PLASTIC, PPW-BLK-01 (BACK IN BLACK/BLACK)	1
A3	DGN137729-PSL1	ENHANCED DISPLAY MODULE 2.0 SHROUD, PLASTIC, PPW-SIL-01 (SILVER)	1
A4	DGN137729-PRD1	ENHANCED DISPLAY MODULE 2.0 SHROUD, PLASTIC, PPW-RED-01 (RED CORVETTE/CANDY APPLE RED)	1
A5	DGN137729-PPK1	ENHANCED DISPLAY MODULE 2.0 SHROUD, PLASTIC, PPW-PNK-01 (PEARL PINK)	1
A6	DGN137729-PPR4	ENHANCED DISPLAY MODULE 2.0 SHROUD, PLASTIC, PPW-PRP-04 (SAPPHIRE BLUE)	1
A7	DGN137729-PBU9	ENHANCED DISPLAY MODULE 2.0 SHROUD, PLASTIC, PPW-BLU-09 (ELECTRIC BLUE/TRUE BLUE)	1
A8	DGN137729-PBU1	ENHANCED DISPLAY MODULE 2.0 SHROUD, PLASTIC, PPW-BLU-01 (VIPER BLUE)	1
A9	DGN137729-PGN5	ENHANCED DISPLAY MODULE 2.0 SHROUD, PLASTIC, PPW-GRN-05 (EMERALD GREEN)	1
A10	DGN137729-PYL3	ENHANCED DISPLAY MODULE 2.0 SHROUD, PLASTIC, PPW-YEL-03 (YELLOW BLAZE/ORION YELLOW)	1
A11	DGN137729-POR4	ENHANCED DISPLAY MODULE 2.0 SHROUD, PLASTIC, PPW-ORN-04 (SUNBURST ORANGE)	1
B1	DGN137728	ENHANCED DISPLAY 2.0 SHROUD, BLACK SOFT-TOUCH PAINT, QLOGIC 2	1
B2	DGN137729-PBK1	ENHANCED DISPLAY MODULE 2.0 SHROUD, PLASTIC, PPW-BLK-01 (BACK IN BLACK/BLACK)	1
B3	DGN137729-PBK3	ENHANCED DISPLAY MODULE 2.0 SHROUD, PLASTIC, PPW-BLK-03 (NIGHT TRAIN)	1
B4	DGN137729-PSL3	ENHANCED DISPLAY MODULE 2.0 SHROUD, PLASTIC, PPW-SIL-03 (GREY STREET)	1
B5	DGN137729-PSL7	ENHANCED DISPLAY MODULE 2.0 SHROUD, PLASTIC, PPW-SIL-07 (SILVER BULLET)	1
B6	DGN137729-PWH2	ENHANCED DISPLAY MODULE 2.0 SHROUD, PLASTIC, PPW-WHT-02 (WHITE SATIN/PEARL WHITE)	1
B7	DGN137729-PRD1	ENHANCED DISPLAY MODULE 2.0 SHROUD, PLASTIC, PPW-RED-01 (RED CORVETTE/CANDY APPLE RED)	1
B8	DGN137729-PRD4	ENHANCED DISPLAY MODULE 2.0 SHROUD, PLASTIC, PPW-RED-04 (CHERRY BOMB)	1
B9	DGN137729-PPK3	ENHANCED DISPLAY MODULE 2.0 SHROUD, PLASTIC, PPW-PNK-03 (PRETTY IN PINK)	1
B10	DGN137729-PPK4	ENHANCED DISPLAY MODULE 2.0 SHROUD, PLASTIC, PPW-PNK-04 (RASPBERRY BERET)	1
B11	DGN137729-PPR7	ENHANCED DISPLAY MODULE 2.0 SHROUD, PLASTIC, PPW-PRP-07 (SUGAR PLUM)	1
B12	DGN137729-PPR5	ENHANCED DISPLAY MODULE 2.0 SHROUD, PLASTIC, PPW-PRP-05 (DEEP PURPLE)	1
B13	DGN137729-PBU10	ENHANCED DISPLAY MODULE 2.0 SHROUD, PLASTIC, PPW-BLU-10 (MIDNIGHT BLUE)	1
B14	DGN137729-PBU9	ENHANCED DISPLAY MODULE 2.0 SHROUD, PLASTIC, PPW-BLU-09 (ELECTRIC BLUE/TRUE BLUE)	1
B15	DGN137729-PBU11	ENHANCED DISPLAY MODULE 2.0 SHROUD, PLASTIC, PPW-BLU-11 (BLUE JEAN)	1
B16	DGN137729-PGN11	ENHANCED DISPLAY MODULE 2.0 SHROUD, PLASTIC, PPW-GRN-11 (GREEN MACHINE)	1
B17	DGN137729-PGN8	ENHANCED DISPLAY MODULE 2.0 SHROUD, PLASTIC, PPW-GRN-08 (MILITARY GREEN)	1
B18	DGN137729-PGN7	ENHANCED DISPLAY MODULE 2.0 SHROUD, PLASTIC, PPW-GRN-07 (LIME LIGHT)	1
B19	DGN137729-PYL3	ENHANCED DISPLAY MODULE 2.0 SHROUD, PLASTIC, PPW-YEL-03 (YELLOW BLAZE/ORION YELLOW)	1
B20	DGN137729-PYL4	ENHANCED DISPLAY MODULE 2.0 SHROUD, PLASTIC, PPW-YEL-04 (LEMON CRUSH)	1
B21	DGN137729-POR6	ENHANCED DISPLAY MODULE 2.0 SHROUD, PLASTIC, PPW-ORN-06 (ORANGE CRUSH)	1
B22	DGN137729-POR7	ENHANCED DISPLAY MODULE 2.0 SHROUD, PLASTIC, PPW-ORN-07 (EVOLUTION ORANGE)	1
B23	DGN137729-WCB1	ENHANCED DISPLAY MODULE 2.0 SHROUD, PLASTIC, PWT-CBN-01 (CARBON FIBER)	1
B24	DGN137729-WCM7	ENHANCED DISPLAY MODULE 2.0 SHROUD, PLASTIC, PWT-CMO-07 (MILITARY DIGITAL CAMO)	1



****Note: Some color options may have prolonged lead times. Please contact Tech Service for availability.****

Q-Logic 2 (Post 2015) & Q-Logic 3

Ref#	Color Name	Part Suffix	Color Code
B1	Std., Soft Touch	—	—
B2	Back in Black	PBK1	PPW-BLK-01
B3	Night Train	PBK3	PPW-BLK-03
B4	Grey Street	PSL3	PPW-SIL-03
B5	Silver Bullet	PSL7	PPW-SIL-07
B6	White Satin	PWT2	PPW-WHT-02
B7	Red Corvette	PRD1	PPW-RED-01
B8	Cherry Bomb	PRD4	PPW-RED-04
B9	Pretty in Pink	PPK3	PPW-PNK-03
B10	Raspberry Beret	PPK4	PPW-PNK-04
B11	Sugar Plum	PPR7	PPW-PRP-07
B12	Deep Purple	PPR5	PPW-PRP-05
B13	Midnight Blue	PBU10	PPW-BLU-10
B14	Electric Blue	PBU9	PPW-BLU-09
B15	Blue Jean	PBU11	PPW-BLU-11
B16	Green Machine	PGN11	PPW-GRN-11
B17	Military Green	PGN8	PPW-GRN-08
B18	Lime Light	PGN7	PPW-GRN-07
B19	Yellow Blaze	PYL3	PPW-YEL-03
B20	Lemon Crush	PYL4	PPW-YEL-04
B21	Orange Crush	POR6	PPW-ORN-06
B22	Evolution Orange	POR7	PPW-ORN-07
B23	Carbon Fiber	WCB1	PWT-CBN-01
B24	Digital Camo	WCM7	PWT-CMO-07
B25	Faded Glory	WFL2	PWT-FLG-02

Q-Logic 2 (Pre 2015)

Ref#	Color Name	Part Suffix	Color Code
A1	Std., Soft Touch	—	—
A2	Black	PBK1	PPW-BLK-01
A3	Silver	PSL1	PPW-SIL-01
A4	Candy Apple Red	PRD1	PPW-RED-01
A5	Pearl Pink	PPK1	PPW-PNK-01
A6	Sapphire Blue	PPR4	PPW-PRP-04
A7	True Blue	PBU9	PPW-BLU-09
A8	Viper Blue	PRD1	PPW-BLU-01
A9	Emerald Green	PGN5	PPW-GRN-05
A10	Orion Yellow	PYL3	PPW-YEL-03
A11	Sunburst Orange	POR1	PPW-ORN-01

Q-Logic 2 & 3 Enhanced Display Shrouds



Item	Part No.	Name	Qty
B25	DGN137729-WFL2	ENHANCED DISPLAY MODULE 2.0 SHROUD,PLASTIC,PWT-FLG-02 (FADED GLORY)	1

Q-Logic 2 Lift Only, REAC Lift / I-Level

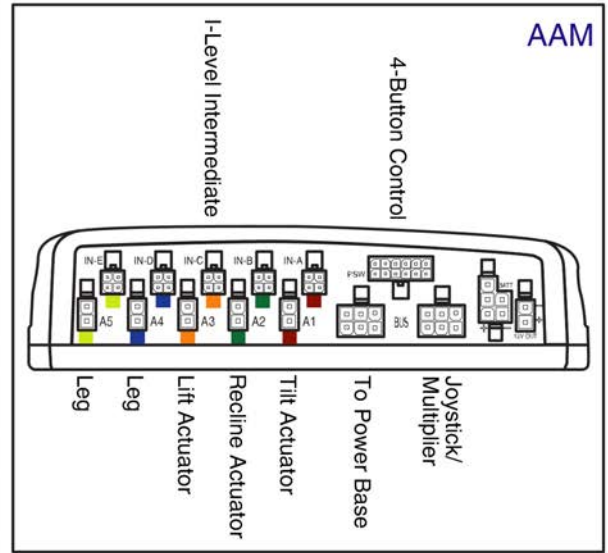
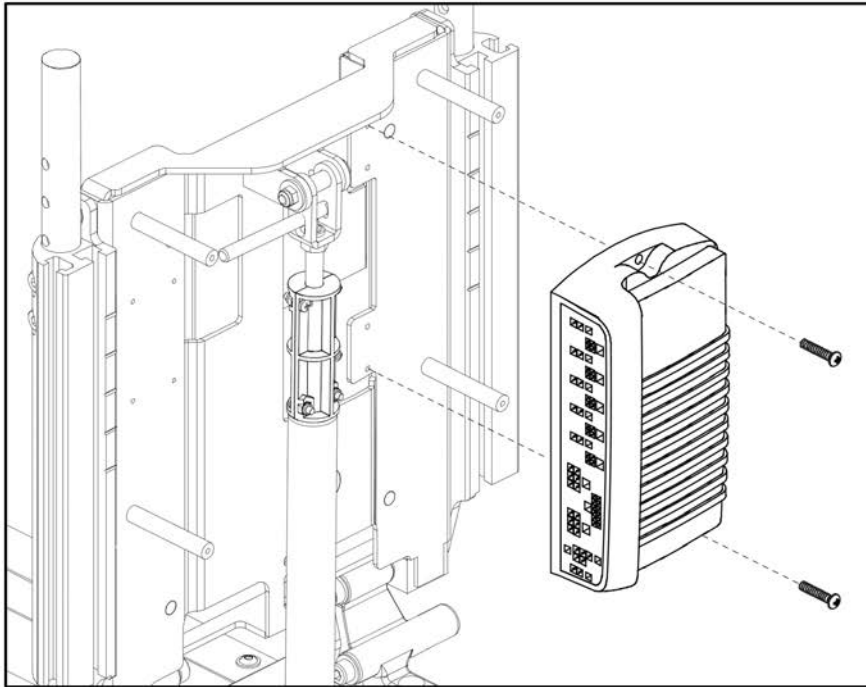
TB3 Q-Logic 2 REAC Lift with I-Level Master Assy's		
A1	ELE148166	Lift Only
B1	ELE148231	Lift Only, 4-Button Control
C1	ELE148225	Lift w/ Independent Legs
D1	ELE148227	Lift w/ Combined Legs
E1	ELE148233	Lift w/ Combined Legs, 4-Button Control
F1	ELE148229	Lift w/ Power AFP
G1	ELE148234	Lift w/ Power AFP, 4-Button Control

The master assemblies include harnesses, seating module, & mounting hardware for the various configurations.



Item	Part No.	Name	Qty
A1	ELE148166	ELECTRONIC, CURTIS/AAM, I-LEVEL, LIFT (CONFIG. #04)	1
B1	ELE148231	ELECTRONIC, ASSY, CURTIS/AAM, W/4-FUNCTION PUSH BUTTON ACTUATOR CONTROL, TB3 LIFT, (CONF #04)	1
C1	ELE148225	ELECTRONIC, CURTIS/AAM, INDEPENDENT LEGS, I-LEVEL, LIFT (CONFIG. #05)	1
D1	ELE148227	ELECTRONIC, CURTIS/AAM, COMBINED LEGS, I-LEVEL, LIFT (CONFIG. #06)	1
E1	ELE148233	ELECTRONIC, ASSY, CURTIS/AAM, COMBINED LEGS, W/4-FUNCTION PUSH BUTTON ACTUATOR CONTROL, TB3 LIFT, (CONF #06)	1
F1	ELE148229	ELECTRONIC, ASSY, CURTIS/AAM, AFP, TB3 LIFT, (CONF #07)	1
G1	ELE148234	ELECTRONIC, ASSY, CURTIS/AAM, AFP, W/4-FUNCTION PUSH BUTTON ACTUATOR CONTROL, TB3 LIFT, (CONF #07)	1

Q-Logic 2 Lift Only, REAC Lift / I-Level

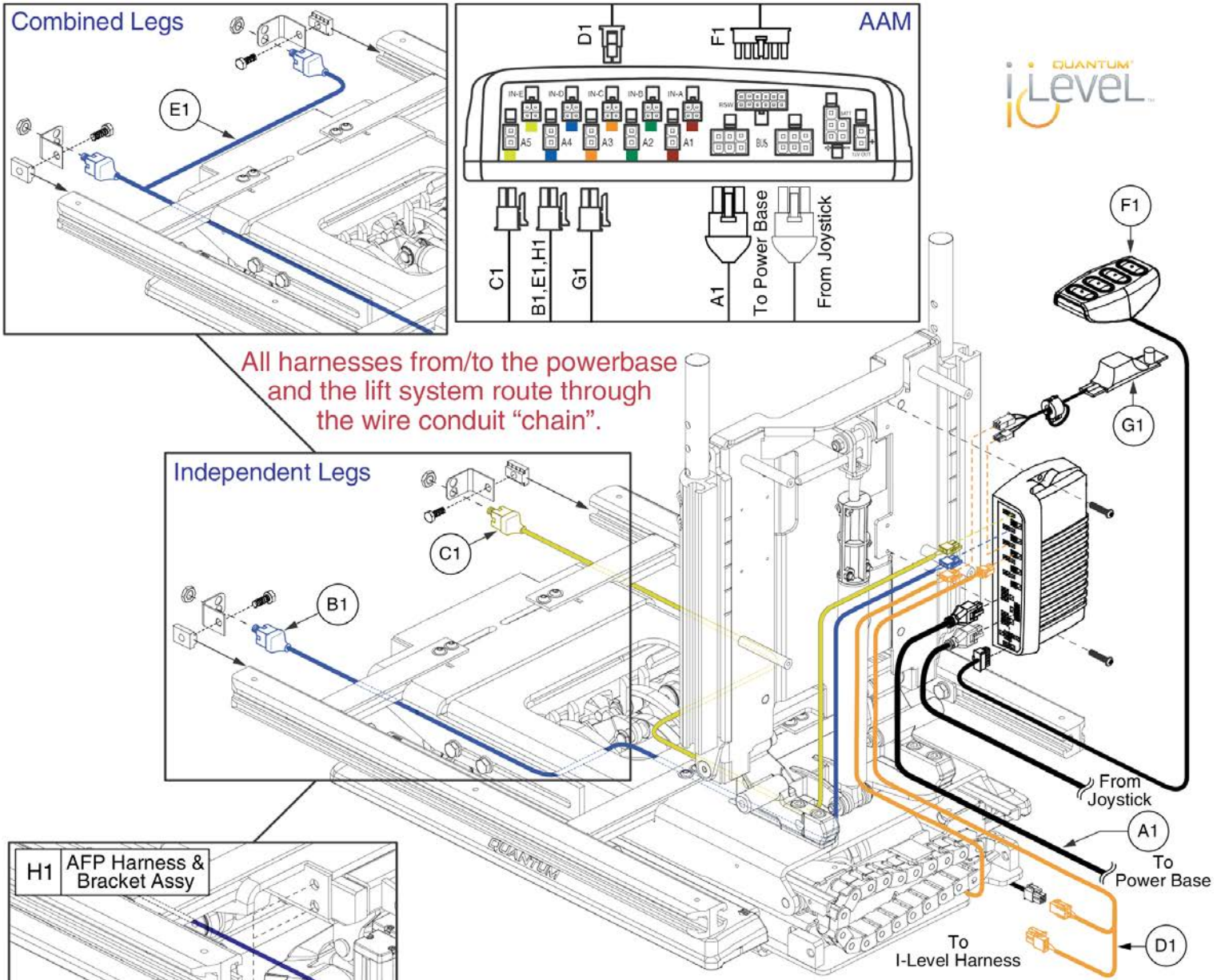


TB3 Q-Logic 2 REAC Lift with I-Level AAM Assy's		
A1	ELE148167	Lift Only
		Lift Only, 4-Button Control
B1	ELE148226	Lift w/ Independent Legs
C1	ELE148228	Lift w/ Combined Legs
		Lift w/ Combined Legs, 4-Button Control
D1	ELE148230	Lift w/ Power AFP
		Lift w/ Power AFP, 4-Button Control

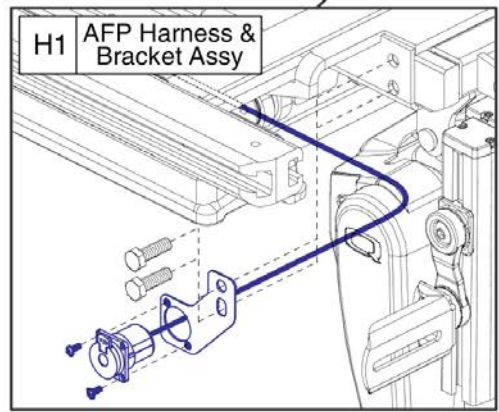
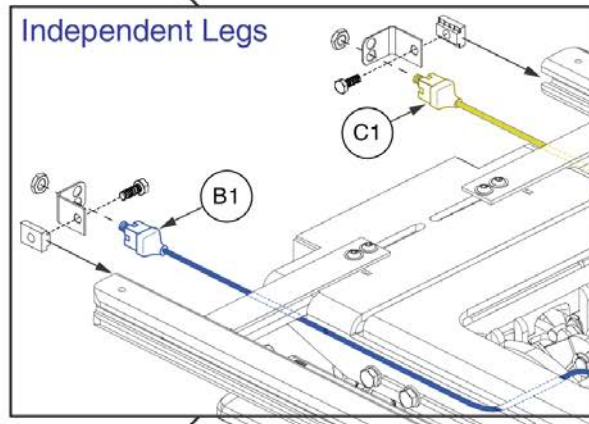
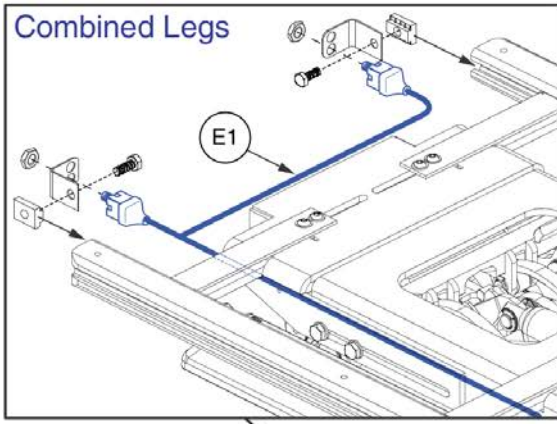


Item	Part No.	Name	Qty
A1	ELE148167	AAM, ELEVATE,ILEVEL (CONFIG. #04)	1
B1	ELE148226	AAM, ELEVATE, INDEPENDENT LEGS, ILEVEL (CONFIG. #05)	1
C1	ELE148228	AAM, COMBINED LEGS, I-LEVEL, ELEVATE (CONFIG. #06)	1
D1	ELE148230	ELECTRONIC,ASSY,CURTIS AAM MODULE,W/ PROGRAMMING,ELEVATE/AFP,ILEVEL,(CONFIGURATION # 07)	1

Q-Logic 2 Lift Only, REAC Lift / I-Level



All harnesses from/to the powerbase and the lift system route through the wire conduit "chain".

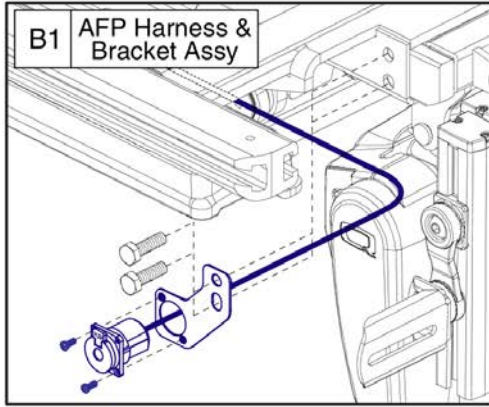


This AFP Harness and Bracket Assembly, H1, replaces all previous versions. The Assembly must be selected for proper retrofit.

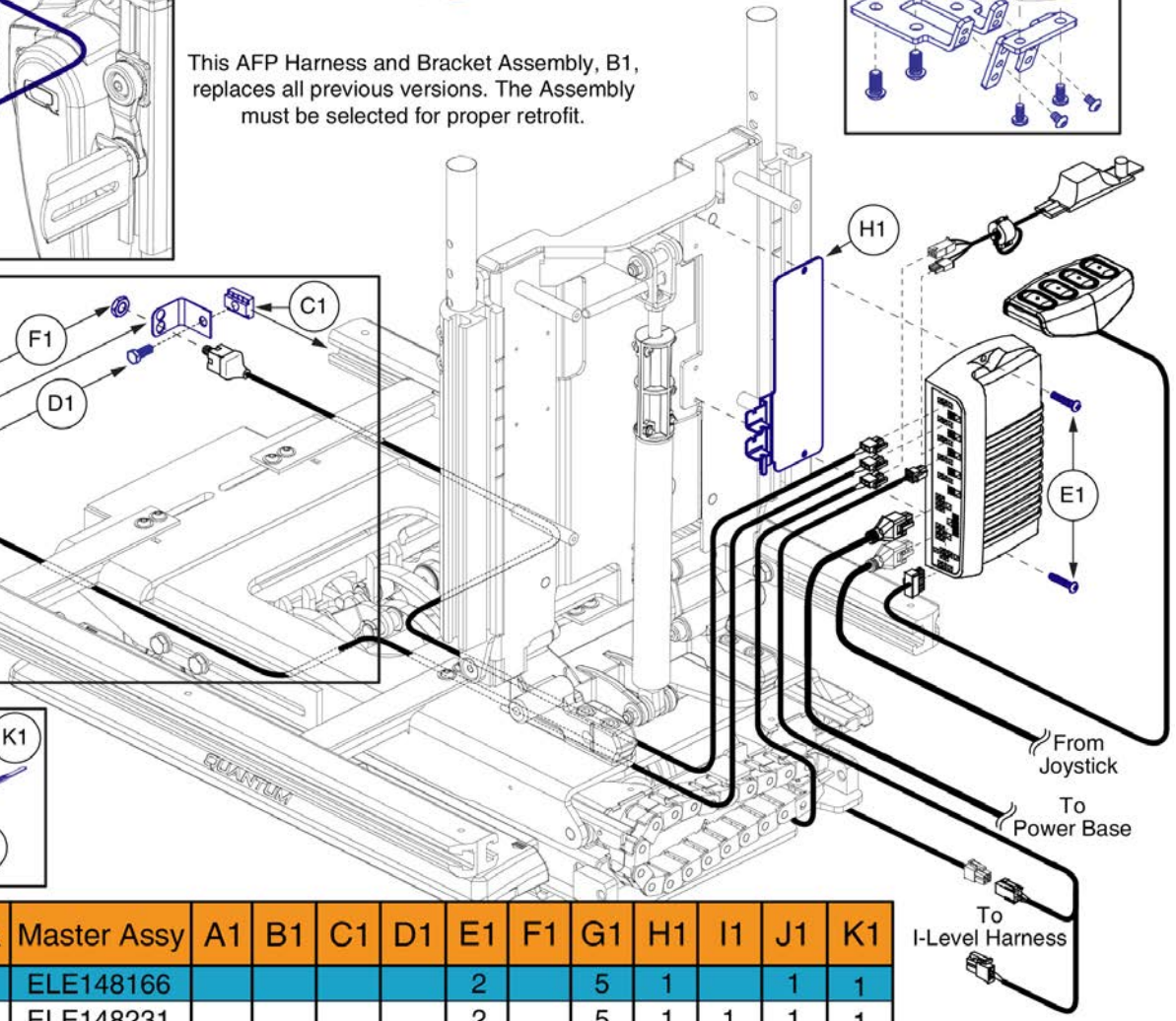
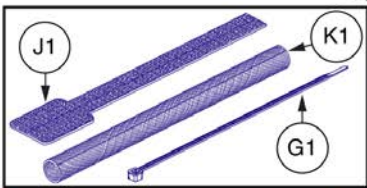
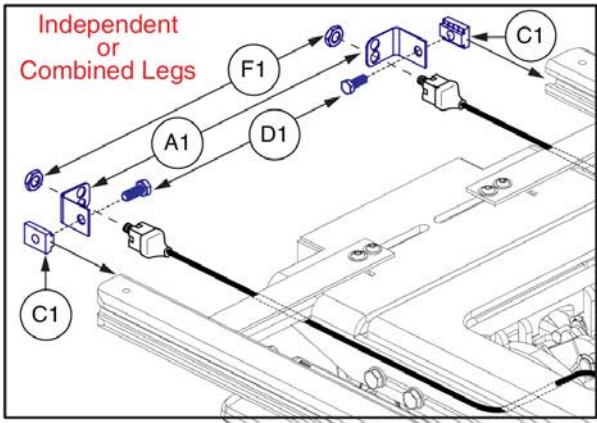
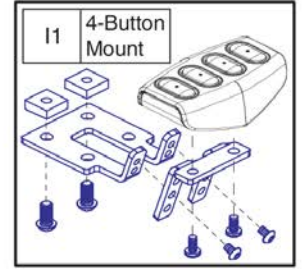
Lift Only w/ I-Level &	Master Assy	A1	B1	C1	D1	E1	F1	G1	H1
Lift Only	ELE148166	1			1			1	
Lift Only, 4-Button	ELE148231	1			1		1	1	
Independent Legs	ELE148225	1	1	1	1			1	
Combined Legs	ELE148227	1			1	1		1	
Combined Legs, 4-Button	ELE148233	1			1	1	1	1	
AFP	ELE148229	1			1			1	1
AFP, 4-Button	ELE148234	1			1		1	1	1

Item	Part No.	Name	Qty
A1	DWR1111H047	HARNESS,BUS CABLE,1.0 METER,FEMALE/FEMALE,H-1111-047,(CURTIS:17881302)	1
B1	DWR1265H006	ELECTRONIC,HARNESS,INDEPENDENT ELR,CURTIS,TRU-BALANCE TILT 2,LEFT,H-1265-006	1
C1	DWR1265H007	ELECTRONIC,HARNESS,INDEPENDENT ELR,CURTIS,TRU-BALANCE TILT 2,RIGHT,H-1265-007	1
D1	ELE145770	HARNESS,ILEVEL SEAT INTERMEDIATE HARNESS	1
E1	DWR1265H005	ELECTRONIC,HARNESS,COMBINED ELR,CURTIS,TRU-BALANCE TILT 2,H-1265-005	1
F1	CTL123218	CONTROLLER,4-FUNCTION PUSH BUTTON,(CURTIS: 17682700)	1
G1	ELE153301	ELECTRICAL,ASSEMBLY,REAC LIFT BACK DRIVE PCBA & INPUT/OUTPUT HARNESS	1
H1	ELE1704823	ELECTRONIC,ASSY,AFP W/MOUNTING BRACKET & HARDWARE,TB3,VERSION 2	1

Q-Logic 2 Lift Only, REAC Lift / I-Level



This AFP Harness and Bracket Assembly, B1, replaces all previous versions. The Assembly must be selected for proper retrofit.



Lift Only w/ I-Level &	Master Assy	A1	B1	C1	D1	E1	F1	G1	H1	I1	J1	K1
Lift Only	ELE148166					2		5	1		1	1
Lift Only, 4-Button	ELE148231					2		5	1	1	1	1
Independent Legs	ELE148225	2		2	2	2	2	5	1		1	1
Combined Legs	ELE148227	2		2	2	2	2	5	1		2	1
Combined Legs, 4-Button	ELE148233	2		2	2	2	2	5	1	1	2	1
AFP	ELE148229		1			2		5	1		1	1
AFP, 4-Button	ELE148234		1			2		5	1	1	2	1



Item	Part No.	Name	Qty
A1	DWR1303B026	ELECTRICAL CONNECTION BRACKET,ARTICULATING LEGREST	1
B1	ELE1704823	ELECTRONIC,ASSY,AFP W/MOUNTING BRACKET & HARDWARE,TB3,VERSION 2	1
C1	NUT8120005	NUT,T-SLOT,BLACK,M8-1.25	1
D1	SCRHHCS1382	SCREW,HHCS,BLACK ZINC CHROMATE,M8-1.25 X 12MM,10.9	1
E1	SCRPPH1061	SCREW, PPH,ZINC,M4 X .7T X 20MM	1
F1	NUTJAM1032	NUT,JAM,THIN,STAINLESS STEEL,3/8-32	1
G1	PLSTIE1004	TIE WRAP,BLACK,8"	1
H1	MEC138556	BRACKET,STRAIN RELIEF,AAM	1
I1	MEC136981	MOUNTING BRACKET,ASSY,4-FUNCTION PUSH BUTTON,W/EXTENSION & MOUNTING HARDWARE,TRU-BALANCE 3	1
J1	VELDBLS1001	REUSABLE FASTENER,1/2"W X 8"L,HOOK & LOOP	1
K1	ELE146865	ELECTRONIC,SELF WRAPPING,5/8"D,10"L,SPLIT TUBULAR WOVEN SLEEVE,TECHFLEX(F6W0.63BK10)	1

Q-Logic 2 Lift & Recline, REAC Lift / I-Level

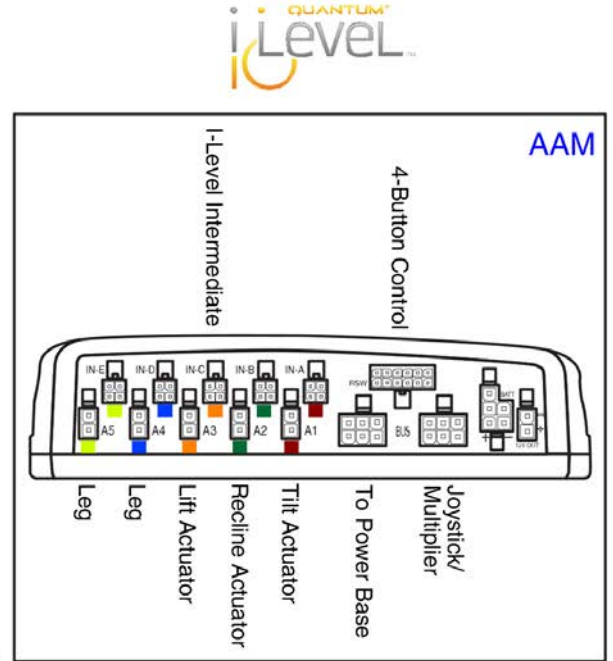
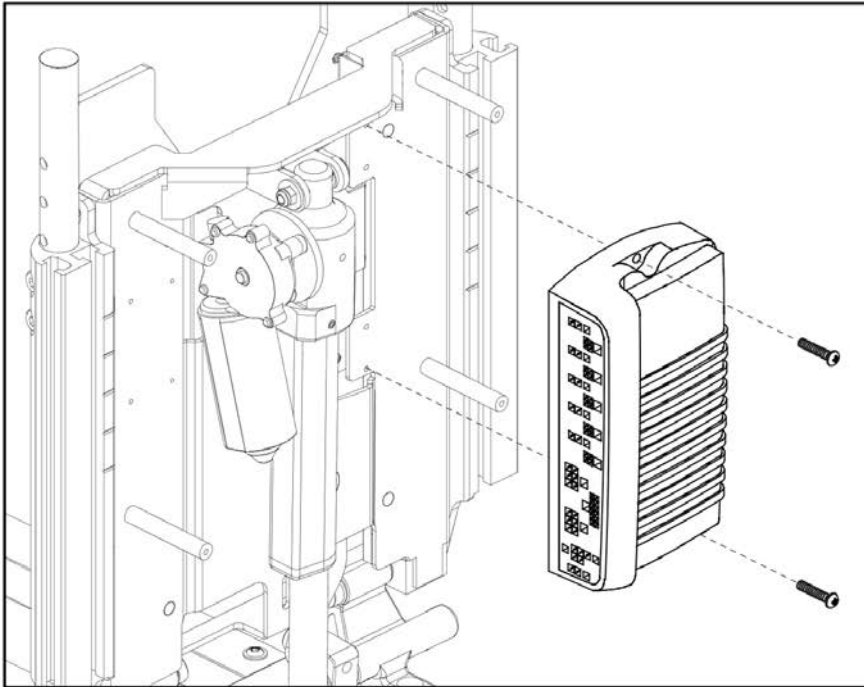
TB3 Q-Logic 2 REAC Lift & Recline with I-Level Master Assy's		
A1	ELE148255	Lift & Recline
B1	ELE148272	Lift & Recline, 4-Button Control
C1	ELE148257	Lift & Recline w/ Attendant Control
D1	ELE148273	Lift & Recline w/ Attendant Control, 4-Button Control
E1	ELE148258	Lift & Recline w/ Independant Legs
F1	ELE148260	Lift & Recline w/ Independant Legs & Attendant Control
G1	ELE148262	Lift & Recline w/ Combined Legs
H1	ELE148274	Lift & Recline w/ Combined Legs, 4-Button Control
I1	ELE148264	Lift & Recline w/ Combined Legs & Attendant Control
J1	ELE148276	Lift & Recline w/ Comb. Legs & Att. Control, 4-Button Control
K1	ELE148265	Lift & Recline w/ AFP
L1	ELE148277	Lift & Recline w/ AFP, 4-Button Control
M1	ELE148271	Lift & Recline w/ AFP & Attendant Control
N1	ELE148278	Lift & Recline w/ AFP & Attendant Control, 4-Button Control

The master assemblies include harnesses, seating module,
& mounting hardware for the various configurations.



Item	Part No.	Name	Qty
A1	ELE148255	ELECTRONIC,CURTIS/AAM, I-LEVEL, LIFT & RECLINE,(CONFIG. #14)	1
B1	ELE148272	ELECTRONIC,ASSY,CURTIS/AAM,LIFT & RECLINE,W/4-FUNCTION PUSH BUTTON CONTROL,(CONF.# 14)	1
C1	ELE148257	ELECTRONIC,ASSY,CURTIS/AAM,LIFT & RECLINE,W/ATTENDANT CONTROL,(CONF.# 14)	1
D1	ELE148273	ELECTRONIC,ASSY,CURTIS/AAM,LIFT & RECLINE,W/ATTENDANT CONTROL & 4-FUNCTION PUSH BUTTON CONTROL,(CONF.# 14)	1
E1	ELE148258	ELECTRONIC,CURTIS/AAM,INDEPENDENT LEGS,I-LEVEL, LIFT & RECLINE (CONFIG. #15)	1
F1	ELE148260	ELECTRONIC,ASSY,CURTIS/AAM,LIFT & RECLINE,INDEPENDENT LEGS,W/ATTENDANT CONTROL,(CONF.# 15)	1
G1	ELE148262	ELECTRONIC,CURTIS/AAM, COMBINED LEGS, I-LEVEL, LIFT & RECLINE (CONFIG. #16)	1
H1	ELE148274	ELECTRONIC,ASSY,CURTIS/AAM,LIFT & RECLINE,COMBINED LEGS,W/4-FUNCTION PUSH BUTTON CONTROL,(CONF.# 16)	1
I1	ELE148264	ELECTRONIC,ASSY,CURTIS/AAM,LIFT & RECLINE,COMBINED LEGS,W/ATTENDANT CONTROL,(CONF.# 16)	1
J1	ELE148276	ELECTRONIC,ASSY,CURTIS/AAM,LIFT & RECLINE,COMBINED LEGS,W/ATTENDANT CONTROL & 4-FUNCTION PUSH BUTTON CONTROL,(CONF.# 16)	1
K1	ELE148265	ELECTRONIC,ASSY,CURTIS/AAM,LIFT & RECLINE,AFP,(CONF.# 17)	1
L1	ELE148277	ELECTRONIC,ASSY,CURTIS/AAM,LIFT & RECLINE,AFP,W/4-FUNCTION PUSH BUTTON CONTROL,(CONF.# 17)	1
M1	ELE148271	ELECTRONIC,ASSY,CURTIS/AAM,LIFT & RECLINE,W/ATTENDANT CONTROL,(CONF.# 17)	1
N1	ELE148278	ELECTRONIC,ASSY,CURTIS/AAM,LIFT & RECLINE,AFP,W/ATTENDANT CONTROL & 4-FUNCTION PUSH BUTTON CONTROL,(CONF.# 17)	1

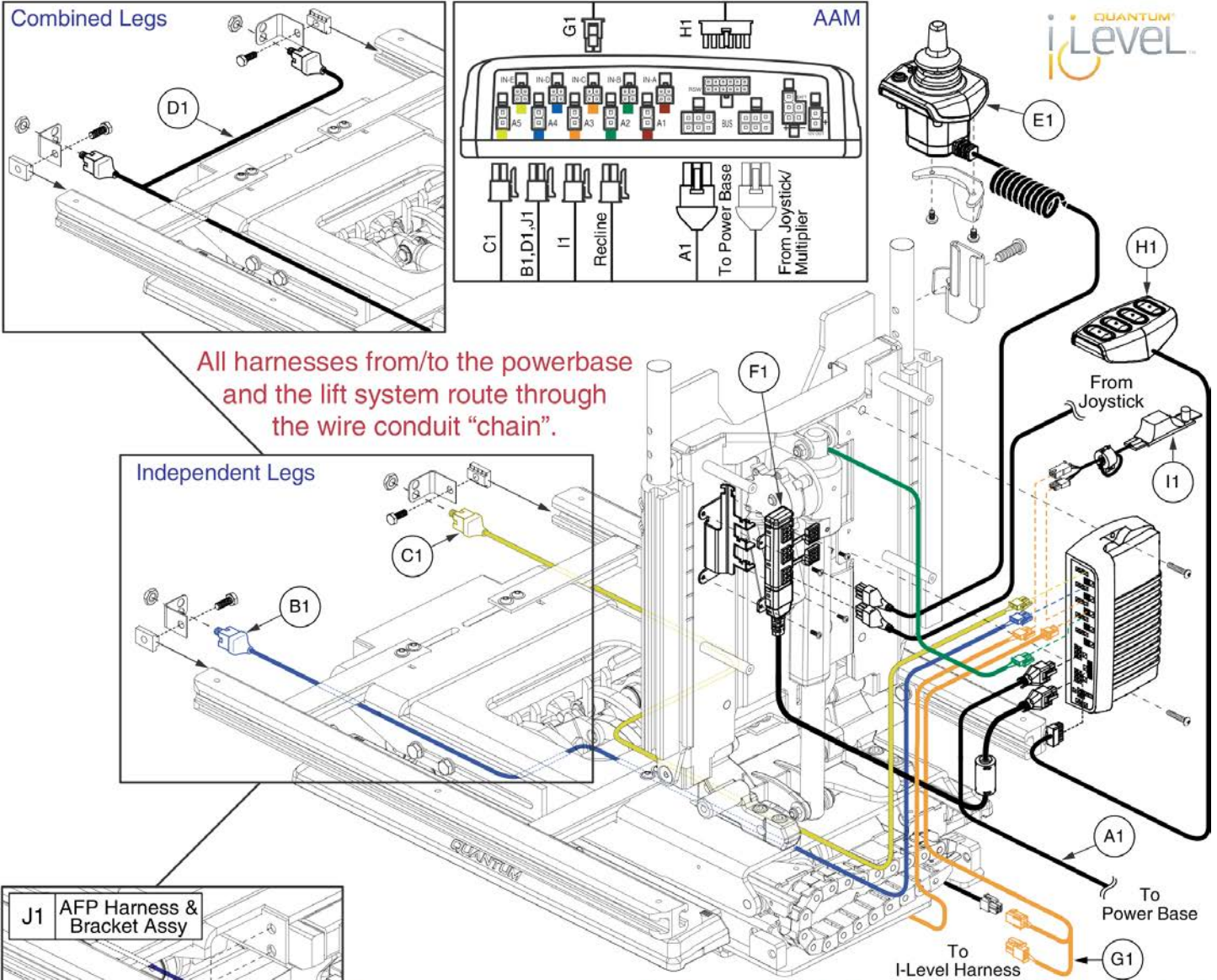
Q-Logic 2 Lift & Recline, REAC Lift / I-Level



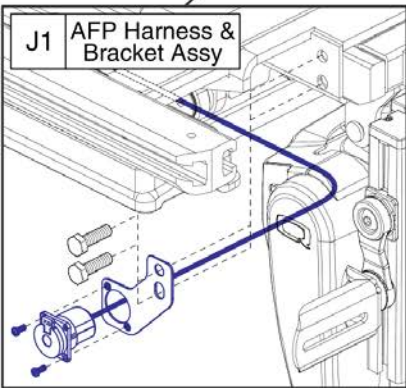
TB3 Q-Logic 2 REAC Lift & Recline with I-Level AAM Assy's		
A1	ELE148256	Lift & Recline
		Lift & Recline, 4-Button Control
		Lift & Recline w/ Attendant Control
		Lift & Recline w/ Attendant Control, 4-Button Control
B1	ELE148259	Lift & Recline w/ Independent Legs
		Lift & Recline w/ Independent Legs & Attendant Control
C1	ELE148263	Lift & Recline w/ Combined Legs
		Lift & Recline w/ Combined Legs, 4-Button Control
		Lift & Recline w/ Combined Legs & Attendant Control
		Lift & Recline w/ Combined Legs & Att. Control, 4-Button Control
D1	ELE148266	Lift & Recline w/ AFP
		Lift & Recline w/ AFP, 4-Button Control
		Lift & Recline w/ AFP & Attendant Control
		Lift & Recline w/ AFP & Attendant Control, 4-Button Control

Item	Part No.	Name	Qty
A1	ELE148256	AAM, RECLINE/ELEVATE, ILEVEL (CONFIG. #14)	1
B1	ELE148259	AAM, RECLINE/ELEVATE, INDEPENDENT LEGS, ILEVEL(CONFIG. #15)	1
C1	ELE148263	AAM, COMBINED LEGS, I-LEVEL, RECLINE/ELEVATE (CONFIG. #16)	1
D1	ELE148266	ELECTRONIC,ASSY,CURTIS AAM MODULE,W/ PROGRAMMING,RECLINE/ELEVATE/POWER FOOT PLATFORM,ILEVEL(CONFIGURATION # 17)	1

Q-Logic 2 Lift & Recline, REAC Lift / I-Level



All harnesses from/to the powerbase and the lift system route through the wire conduit "chain".



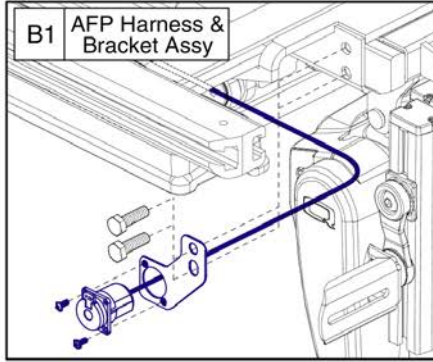
This AFP Harness & Bracket Assy, J1, replaces all previous versions. The Assy must be selected for proper retrofit.



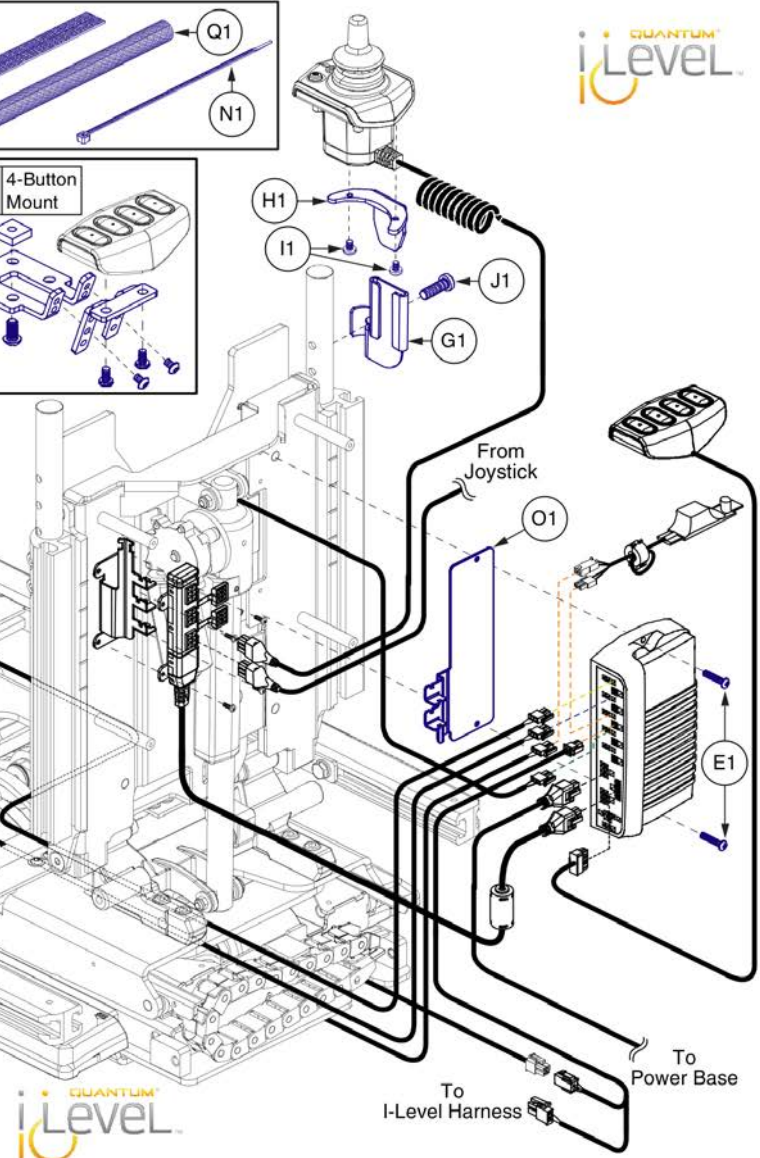
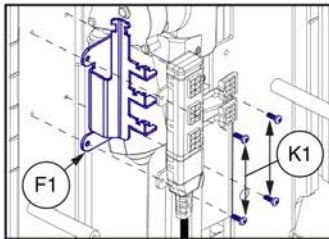
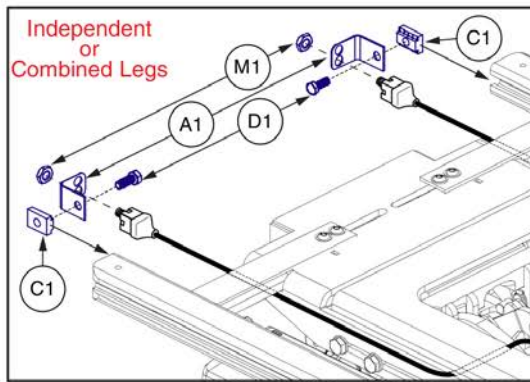
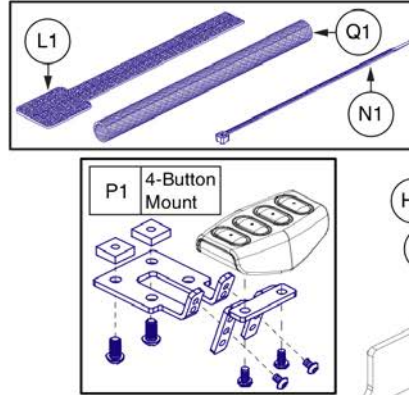
Lift & Recline w/ I-Level &	Master Assy	A1	B1	C1	D1	E1	F1	G1	H1	I1	J1
Lift & Recline Only	ELE148255	1						1		1	
Lift & Recline Only, 4-Button	ELE148272	1						1	1	1	
Attendant Control	ELE148257	1				1	1	1		1	
Attendant Control, 4-Button	ELE148273	1				1	1	1	1	1	
Independent Legs	ELE148258	1	1	1				1		1	
Ind. Legs w/Att. Control	ELE148260	1	1	1		1	1	1		1	
Combined Legs	ELE148262	1			1			1		1	
Combined Legs, 4-Button	ELE148274	1			1			1	1	1	
Comb. Legs w/Att. Control	ELE148264	1			1	1	1	1		1	
Comb. Legs w/Att. Control, 4-Button	ELE148276	1			1	1	1	1	1	1	
AFP	ELE148265	1						1		1	1
AFP, 4-Button	ELE148277	1						1	1	1	1
AFP w/Att. Control	ELE148271	1				1	1	1		1	1
AFP w/Att. Control, 4-Button	ELE148278	1				1	1	1	1	1	1

Item	Part No.	Name	Qty
A1	DWR1111H047	HARNESS,BUS CABLE,1.0 METER,FEMALE/FEMALE,H-1111-047,(CURTIS:17881302)	1
B1	DWR1265H006	ELECTRONIC,HARNESS,INDEPENDENT ELR,CURTIS,TRU-BALANCE TILT 2,LEFT,H-1265-006	1
C1	DWR1265H007	ELECTRONIC,HARNESS,INDEPENDENT ELR,CURTIS,TRU-BALANCE TILT 2,RIGHT,H-1265-007	1
D1	DWR1265H005	ELECTRONIC,HARNESS,COMBINED ELR,CURTIS,TRU-BALANCE TILT 2,H-1265-005	1
E1	CTL137822	CONTROLLER,ATTENDANT CONTROL MODULE 2.0,Q-LOGIC 2	1
F1	DWR1111H053	HARNESS,MULTIPLIER BOX,0.3 METER,H-1111-053,(CURTIS: 17869700)	1
G1	ELE145770	HARNESS,ILEVEL SEAT INTERMEDIATE HARNESS	1
H1	CTL123218	CONTROLLER,4-FUNCTION PUSH BUTTON,(CURTIS: 17682700)	1
I1	ELE153301	ELECTRICAL,ASSEMBLY,REAC LIFT BACK DRIVE PCBA & INPUT/OUTPUT HARNESS	1
J1	ELE1704823	ELECTRONIC,ASSY,AFP W/MOUNTING BRACKET & HARDWARE,TB3,VERSION 2	1

Q-Logic 2 Lift & Recline, REAC Lift / I-Level



This AFP Harness and Bracket Assembly, B1, replaces all previous versions. The Assembly must be selected for proper retrofit.



Lift & Recline w/ I-Level &	Master Assy	A1	B1	C1	D1	E1	F1	G1	H1	I1	J1	K1	L1	M1	N1	O1	P1	Q1
Lift & Recline	ELE148255					2							1		5	1		1
Lift & Recline, 4-Button	ELE148272					2							2		5	1	1	1
Attendant Control	ELE148257					2	1	1	1	2	1	4	1		5	1		1
Attendant Control, 4-Button	ELE148273					2	1	1	1	2	1	4	2		5	1	1	1
Independent Legs	ELE148258	2		2	2	2							1	2	5	1		1
Ind. Legs w/Att. Control	ELE148260	2		2	2	2	1	1	1	2	1	4	1	2	5	1		1
Combined Legs	ELE148262	2		2	2	2							2	2	5	1		1
Combined Legs, 4-Button	ELE148274	2		2	2	2							2	2	5	1	1	1
Comb. Legs w/Att. Control	ELE148264	2		2	2	2	1	1	1	2	1	4	2	2	5	1		1
Comb. Legs w/Att. Control, 4-Button	ELE148276	2		2	2	2	1	1	1	2	1	4	2	2	5	1	1	1
AFP	ELE148265		1			2							1		5	1		1
AFP, 4-Button	ELE148277		1			2							2		5	1	1	2
AFP w/Att Control	ELE148271		1			2	1	1	1	2	1	4	1		5	1		1
AFP w/Att Control, 4-Button	ELE148278		1			2	1	1	1	2	1	4	2		5	1	1	2

Item	Part No.	Name	Qty
A1	DWR1303B026	ELECTRICAL CONNECTION BRACKET,ARTICULATING LEGREST	1
B1	ELE1704823	ELECTRONIC,ASSY,AFP W/MOUNTING BRACKET & HARDWARE,TB3,VERSION 2	1
C1	NUT8120005	NUT,T-SLOT,BLACK,M8-1.25	1
D1	SCRHHCS1382	SCREW,HHCS,BLACK ZINC CHROMATE,M8-1.25 X 12MM,10.9	1
E1	SCRPPH1061	SCREW, PPH,ZINC,M4 X .7T X 20MM	1
F1	MEC120550	BRACKET,STRAIN RELIEF,MULTIPLEX	1
G1	DWR1010D298	MOUNTING BRACKET,ATTENDANT BRACKET,CURTIS STAND ALONE JOYSTICK,D-1010-298	1
H1	MEC122827	ATTENDANT CONTROL MOUNT CATCH PLATE	1
I1	SCRPPH1165	SCREW,PPH,BLACK ZINC,M4-.7 X 8MM,P-TYPE	1
J1	HDW124866	SCREW, LOW SOCKET HEAD, M8X1.25 X 25, DIN 7984, CL 10.9, BZ, PVTP	1
K1	SCRPPH1276	SCREW,PPH,BLACK ZINC,M3-.5 X 8MM	1
L1	VELDBLS1001	REUSABLE FASTENER,1/2"W X 8"L,HOOK & LOOP	1
M1	NUTJAM1032	NUT,JAM,THIN,STAINLESS STEEL,3/8-32	1
N1	PLSTIE1004	TIE WRAP,BLACK,8"	1
O1	MEC138556	BRACKET,STRAIN RELIEF,AAM	1
P1	MEC136981	MOUNTING BRACKET,ASSY,4-FUNCTION PUSH BUTTON,W/EXTENSION & MOUNTING HARDWARE,TRU-BALANCE 3	1
Q1	ELE146865	ELECTRONIC,SELF WRAPPING,5/8"D,10"L,SPLIT TUBULAR WOVEN SLEEVE,TECHFLEX(F6W0.63BK10)	1

Q-Logic 2 Lift & Tilt, REAC Lift / I-Level

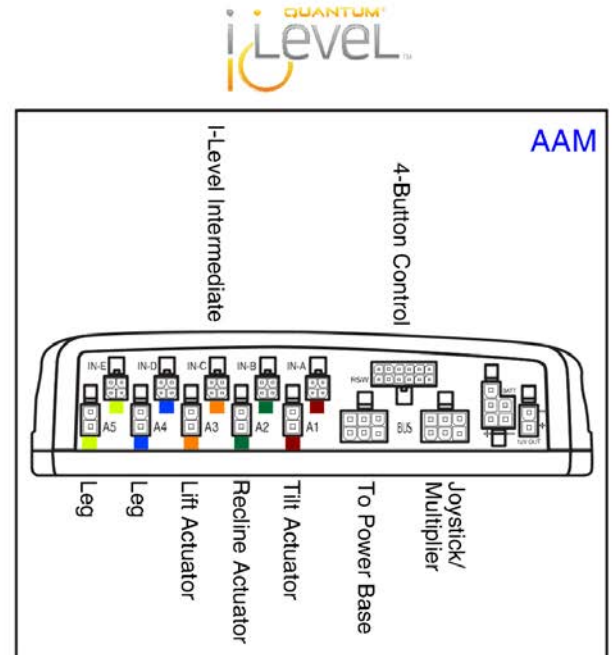
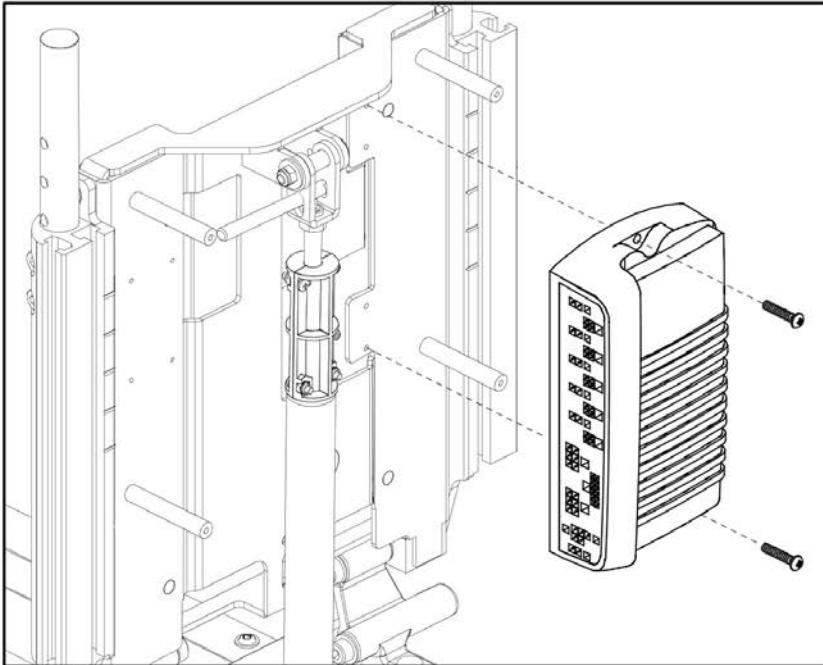
TB3 Q-Logic 2 REAC Lift & Tilt with I-Level Master Assy's		
A1	ELE148235	Lift & Tilt
B1	ELE148247	Lift & Tilt, 4-Button Control
C1	ELE148237	Lift & Tilt w/ Attendant Control
D1	ELE148250	Lift & Tilt w/ Attendant Control, 4-Button Control
E1	ELE148238	Lift & Tilt w/ Independant Legs
F1	ELE148240	Lift & Tilt w/ Independant Legs & Attendant Control
G1	ELE148241	Lift & Tilt w/ Combined Legs
H1	ELE148251	Lift & Tilt w/ Combined Legs, 4-Button Control
I1	ELE148243	Lift & Tilt w/ Combined Legs & Attendant Control
J1	ELE148252	Lift & Tilt w/ Combined Legs & Att. Control, 4-Button Control
K1	ELE148244	Lift & Tilt w/ AFP
L1	ELE148253	Lift & Tilt w/ AFP, 4-Button Control
M1	ELE148246	Lift & Tilt w/ AFP & Attendant Control
N1	ELE148254	Lift & Tilt w/ AFP & Attendant Control, 4-Button Control

The master assemblies include harnesses, seating module, & mounting hardware for the various configurations.



Item	Part No.	Name	Qty
A1	ELE148235	ELECTRONIC,CURTIS/AAM, I-LEVEL, LIFT & TILT(CONFIG. #24)	1
B1	ELE148247	ELECTRONIC,ASSY,CURTIS/AAM,LIFT & TILT,W/4-FUNCTION PUSH BUTTON CONTROL,(CONF.#24)	1
C1	ELE148237	ELECTRONIC,ASSY,CURTIS/AAM,LIFT & TILT W/ATTENDANT CONTROL,(CONF.#24)	1
D1	ELE148250	ELECTRONIC,ASSY,CURTIS/AAM,LIFT & TILT W/ATTENDANT CONTROL & 4-FUNCTION PUSH BUTTON CONTROL,(CONF.#24)	1
E1	ELE148238	ELECTRONIC,CURTIS/AAM,INDEPENDENT LEGS,I-LEVEL, LIFT & TILT (CONFIG. #25)	1
F1	ELE148240	ELECTRONIC,ASSY,CURTIS/AAM,LIFT & TILT,INDEPENDENT LEGS,W/ATTENDANT CONTROL,(CONF.#25)	1
G1	ELE148241	ELECTRONIC,CURTIS/AAM, LIFT & TILT, COMBINED LEGS(CONFIG. #26)	1
H1	ELE148251	ELECTRONIC,ASSY,CURTIS/AAM,LIFT & TILT,COMBINED LEGS,W/4-FUNCTION PUSH BUTTON CONTROL,(CONF.#26)	1
I1	ELE148243	ELECTRONIC,ASSY,CURTIS/AAM,LIFT & TILT,COMBINED LEGS,W/ATTENDANT CONTROL,(CONF.#26)	1
J1	ELE148252	ELECTRONIC,ASSY,CURTIS/AAM,LIFT & TILT,COMBINED LEGS,W/ATTENDANT CONTROL & 4-FUNCTION PUSH BUTTON CONTROL,(CONF.#26)	1
K1	ELE148244	ELECTRONIC,ASSY,CURTIS/AAM,LIFT & TILT,AFP,(CONF.#27)	1
L1	ELE148253	ELECTRONIC,ASSY,CURTIS/AAM,LIFT & TILT,AFP,W/4-FUNCTION PUSH BUTTON CONTROL,(CONF.#27)	1
M1	ELE148246	ELECTRONIC,ASSY,CURTIS/AAM,LIFT & TILT,AFP,W/ATTENDANT CONTROL,(CONF.#27)	1
N1	ELE148254	ELECTRONIC,ASSY,CURTIS/AAM,LIFT & TILT,AFP,W/ATTENDANT CONTROL & 4-FUNCTION PUSH BUTTON CONTROL,(CONF.#27)	1

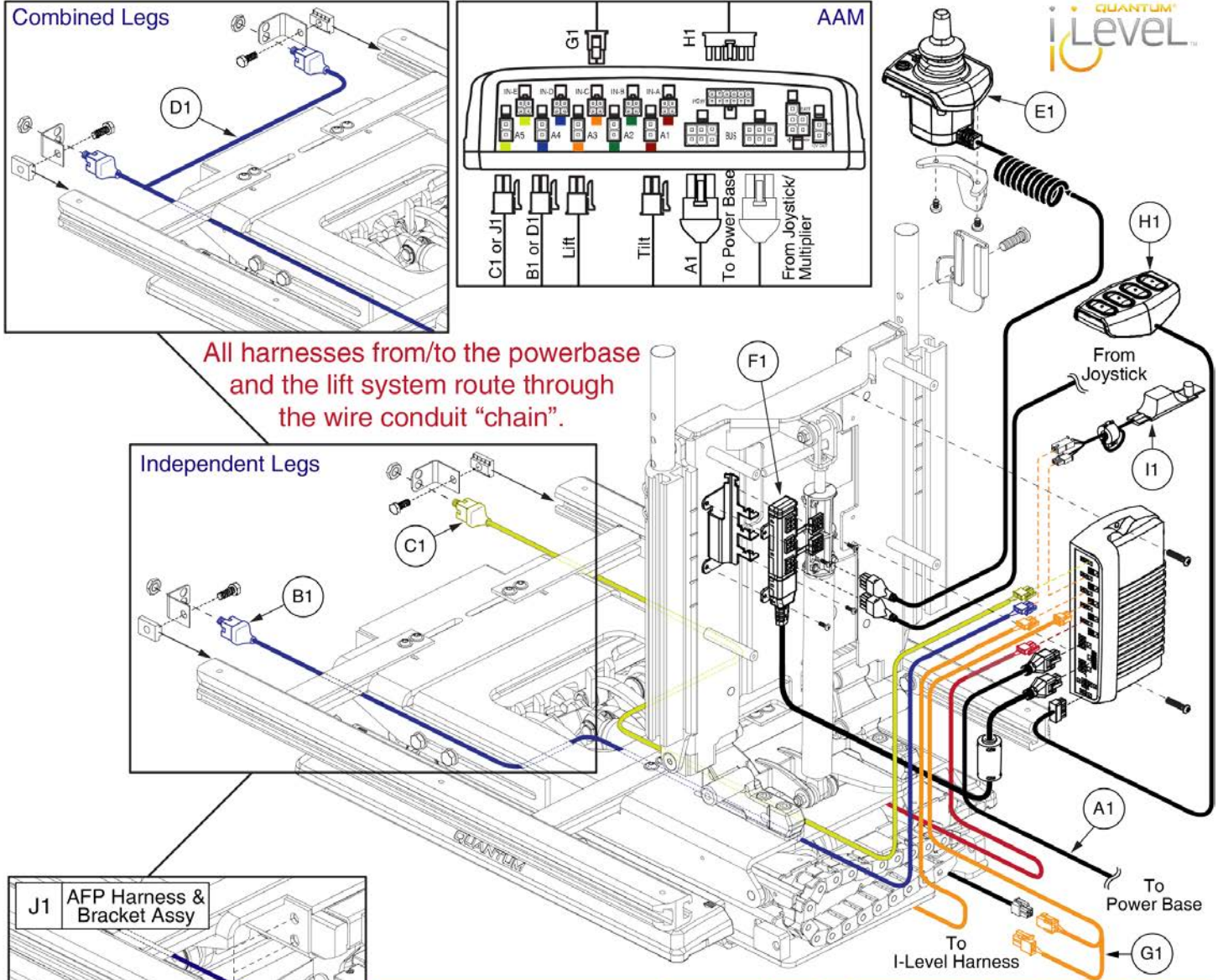
Q-Logic 2 Lift & Tilt, REAC Lift / I-Level



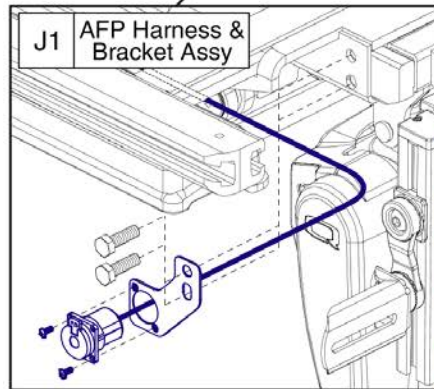
TB3 Q-Logic 2 REAC Lift & Tilt with I-Level AAM Assy's		
A1	ELE148236	Lift & Tilt
		Lift & Tilt, 4-Button Control
		Lift & Tilt w/ Attendant Control
		Lift & Tilt w/ Attendant Control, 4-Button Control
B1	ELE148239	Lift & Tilt w/ Independent Legs
		Lift & Tilt w/ Independent Legs & Attendant Control
C1	ELE148242	Lift & Tilt w/ Combined Legs
		Lift & Tilt w/ Combined Legs, 4-Button Control
		Lift & Tilt w/ Combined Legs & Attendant Control
D1	ELE148245	Lift & Tilt w/ AFP
		Lift & Tilt w/ AFP, 4-Button Control
		Lift & Tilt w/ AFP & Attendant Control
		Lift & Tilt w/ AFP & Attendant Control, 4-Button Control

Item	Part No.	Name	Qty
A1	ELE148236	AAM, TILT/ELEVATE, ILEVEL,(CONFIG. #24)	1
B1	ELE148239	AAM, TILT/ELEVATE, INDEPENDENT LEGS, ILEVEL,(CONFIG. #25)	1
C1	ELE148242	AAM,COMBINED LEGS,I-LEVEL, TILT/ELEVATE(CONFIG. #26)	1
D1	ELE148245	ELECTRONIC,ASSY,CURTIS AAM MODULE,W/ PROGRAMMING,TILT/ELEVATE/POWER FOOT PLATFORM,ILEVEL(CONFIGURATION # 27)	1

Q-Logic 2 Lift & Tilt, REAC Lift / I-Level



All harnesses from/to the powerbase and the lift system route through the wire conduit "chain".

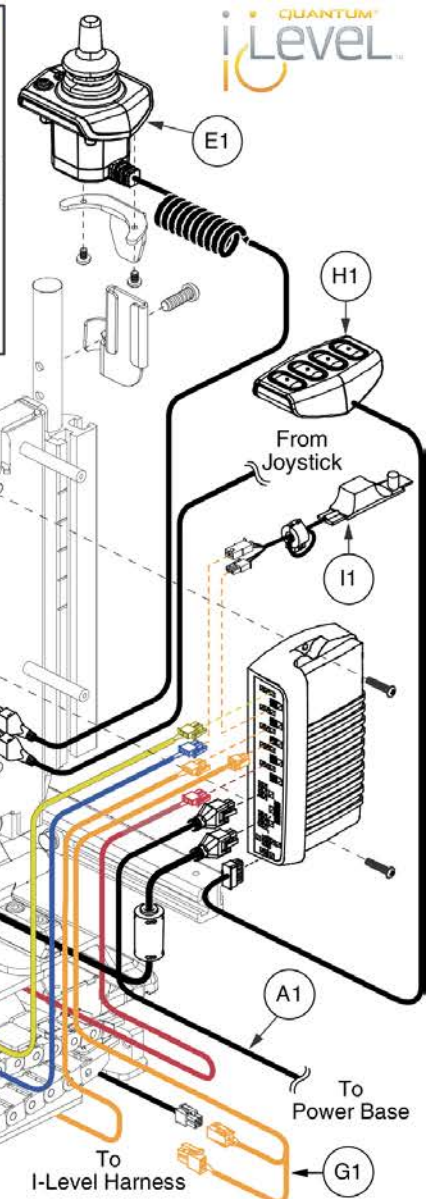
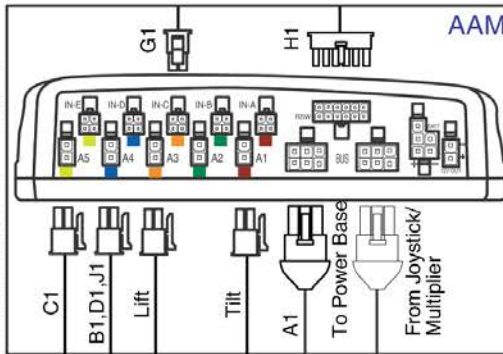
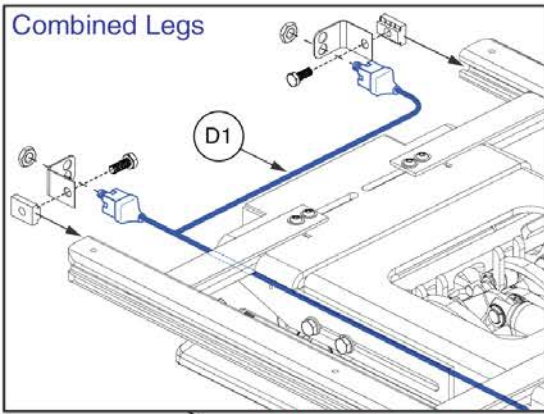


This AFP Harness and Bracket Assembly, J1, replaces all previous versions. The Assembly must be selected for proper retrofit.

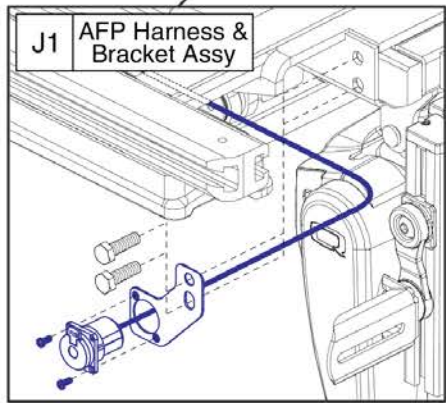
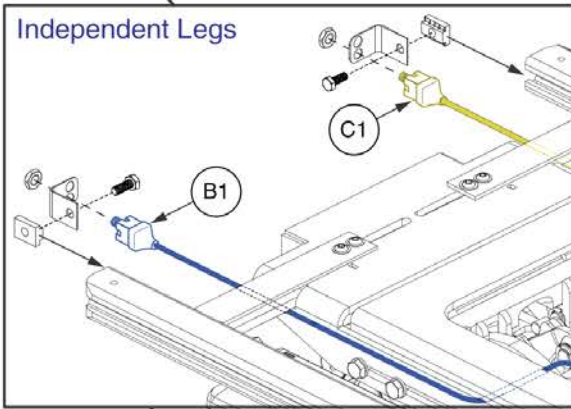


Lift & Tilt w/I-Level &	Master Assy	A1	B1	C1	D1	E1	F1	G1	H1	I1	J1
Lift & Tilt Only	ELE148235	1						1		1	
Lift & Tilt Only, 4-Button	ELE148247	1						1	1	1	
Attendant Control	ELE148237	1				1	1	1		1	
Attendant Control, 4-Button	ELE148250	1				1	1	1	1	1	
Independent Legs	ELE148238	1	1	1				1		1	
Ind. Legs w/Att. Control	ELE148240	1	1	1		1	1	1		1	
Combined Legs	ELE148241	1			1			1		1	
Combined Legs, 4-Button	ELE148251	1			1			1	1	1	
Comb. Legs w/Att. Control	ELE148243	1			1	1	1	1		1	
Comb. Legs w/Att. Control, 4-Button	ELE148252	1			1	1	1	1	1	1	
AFP	ELE148244	1						1		1	1
AFP, 4-Button	ELE148253	1						1	1	1	1
AFP w/Att. Control	ELE148246	1				1	1	1		1	1
AFP w/Att. Control, 4-Button	ELE148254	1				1	1	1	1	1	1

Item	Part No.	Name	Qty
A1	DWR1111H047	HARNESS,BUS CABLE,1.0 METER,FEMALE/FEMALE,H-1111-047,(CURTIS:17881302)	1
B1	DWR1265H006	ELECTRONIC,HARNESS,INDEPENDENT ELR,CURTIS,TRU-BALANCE TILT 2,LEFT,H-1265-006	1
C1	DWR1265H007	ELECTRONIC,HARNESS,INDEPENDENT ELR,CURTIS,TRU-BALANCE TILT 2,RIGHT,H-1265-007	1
D1	DWR1265H005	ELECTRONIC,HARNESS,COMBINED ELR,CURTIS,TRU-BALANCE TILT 2,H-1265-005	1
E1	CTL137822	CONTROLLER,ATTENDANT CONTROL MODULE 2.0,Q-LOGIC 2	1
F1	DWR1111H053	HARNESS,MULTIPLIER BOX,0.3 METER,H-1111-053,(CURTIS: 17869700)	1
G1	ELE145770	HARNESS,ILEVEL SEAT INTERMEDIATE HARNESS	1
H1	CTL123218	CONTROLLER,4-FUNCTION PUSH BUTTON,(CURTIS: 17682700)	1
I1	ELE153301	ELECTRICAL,ASSEMBLY,REAC LIFT BACK DRIVE PCBA & INPUT/OUTPUT HARNESS	1
J1	ELE1704823	ELECTRONIC,ASSY,AFP W/MOUNTING BRACKET & HARDWARE,TB3,VERSION 2	1



All harnesses from/to the powerbase and the lift system route through the wire conduit "chain".



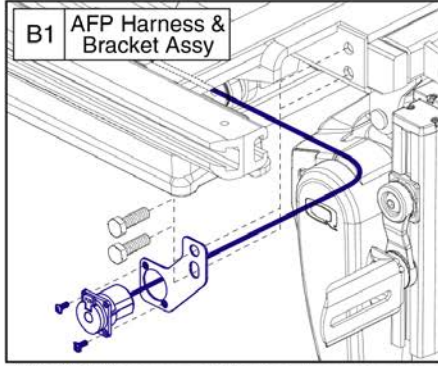
This AFP Harness and Bracket Assembly, J1, replaces all previous versions. The Assembly must be selected for proper retrofit.

Lift & Tilt w/I-Level &	Master Assy	A1	B1	C1	D1	E1	F1	G1	H1	I1	J1
Lift & Tilt Only	ELE148235	1						1		1	
Lift & Tilt Only, 4-Button	ELE148247	1						1	1	1	
Attendant Control	ELE148237	1				1	1	1		1	
Attendant Control, 4-Button	ELE148250	1				1	1	1	1	1	
Independent Legs	ELE148238	1	1	1				1		1	
Ind. Legs w/Att. Control	ELE148240	1	1	1		1	1	1		1	
Combined Legs	ELE148241	1			1			1		1	
Combined Legs, 4-Button	ELE148251	1			1			1	1	1	
Comb. Legs w/Att. Control	ELE148243	1			1	1	1	1		1	
Comb. Legs w/Att. Control, 4-Button	ELE148252	1			1	1	1	1	1	1	
AFP	ELE148244	1						1		1	1
AFP, 4-Button	ELE148253	1						1	1	1	1
AFP w/Att. Control	ELE148246	1				1	1	1		1	1
AFP w/Att. Control, 4-Button	ELE148254	1				1	1	1	1	1	1

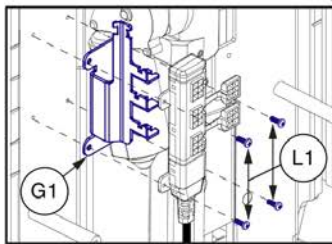
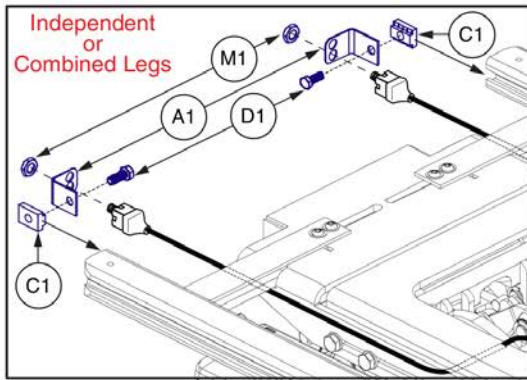
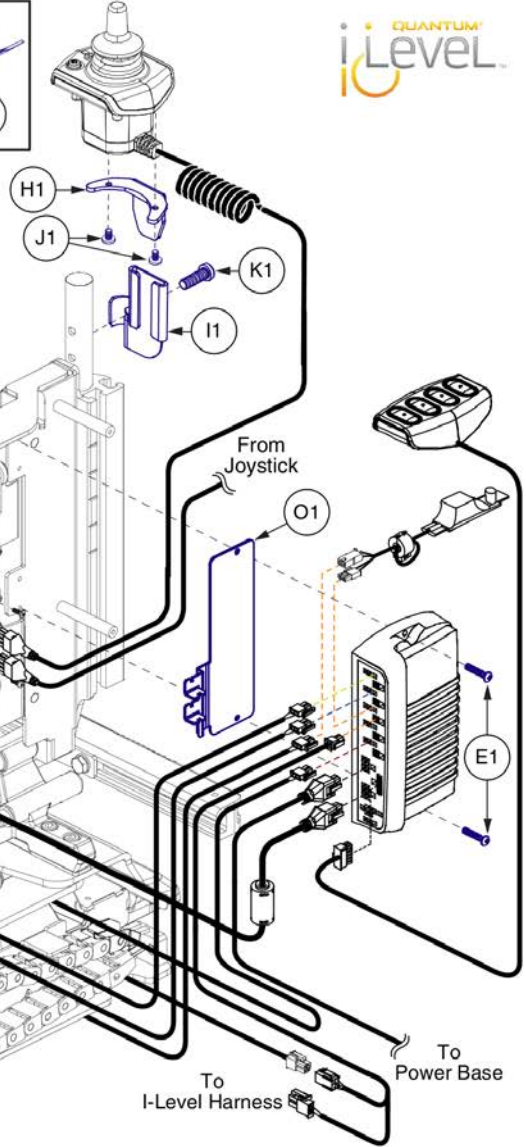
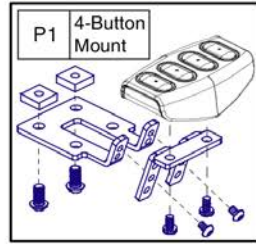


This page intentionally left blank

Q-Logic 2 Lift & Tilt, REAC Lift / I-Level



This AFP Harness and Bracket Assembly, B1, replaces all previous versions. The Assembly must be selected for proper retrofit.



Lift & Tilt w/ I-Level &	Master Assy	A1	B1	C1	D1	E1	F1	G1	H1	I1	J1	K1	L1	M1	N1	O1	P1	Q1
Lift & Tilt	ELE148255					2	1								5	1		1
Lift & Tilt, 4-Button	ELE148272					2	2								5	1	1	1
Attendant Control	ELE148257					2	1	1	1	1	2	1	4		5	1		1
Attendant Control, 4-Button	ELE148273					2	2	1	1	1	2	1	4		5	1	1	1
Independent Legs	ELE148258	2		2	2	2	1							2	5	1		1
Ind. Legs w/Att. Control	ELE148260	2		2	2	2	1	1	1	1	2	1	4	2	5	1		1
Combined Legs	ELE148262	2		2	2	2	1							2	5	1		1
Combined Legs, 4-Button	ELE148274	2		2	2	2	4							2	5	1	1	1
Comb. Legs w/Att. Control	ELE148264	2		2	2	2	1	1	1	1	2	1	4	2	5	1		1
Comb. Legs w/Att. Control, 4-Button	ELE148276	2		2	2	2	2	1	1	1	2	1	4	2	5	1	1	1
AFP	ELE148265		1			2	1								5	1		1
AFP, 4-Button	ELE148277		1			2	2								5	1	1	1
AFP w/Att Control	ELE148271		1			2	1	1	1	1	2	1	4		5	1		1
AFP w/Att Control, 4-Button	ELE148278		1			2	2	1	1	1	2	1	4		5	1	1	1

Item	Part No.	Name	Qty
A1	DWR1303B026	ELECTRICAL CONNECTION BRACKET,ARTICULATING LEGREST	1
B1	ELE1704823	ELECTRONIC,ASSY,AFP W/MOUNTING BRACKET & HARDWARE,TB3,VERSION 2	1
C1	NUT8120005	NUT,T-SLOT,BLACK,M8-1.25	1
D1	SCRHHCS1382	SCREW,HHCS,BLACK ZINC CHROMATE,M8-1.25 X 12MM,10.9	1
E1	SCRPPH1061	SCREW, PPH,ZINC,M4 X .7T X 20MM	1
F1	VELDBLS1001	REUSABLE FASTENER,1/2"W X 8"L,HOOK & LOOP	1
G1	MEC120550	BRACKET,STRAIN RELIEF,MULTIPLEX	1
H1	DWR1010D298	MOUNTING BRACKET,ATTENDANT BRACKET,CURTIS STAND ALONE JOYSTICK,D-1010-298	1
I1	MEC122827	ATTENDANT CONTROL MOUNT CATCH PLATE	1
J1	SCRPPH1165	SCREW,PPH,BLACK ZINC,M4-.7 X 8MM,P-TYPE	1
K1	HDW124866	SCREW, LOW SOCKET HEAD, M8X1.25 X 25, DIN 7984, CL 10.9, BZ, PVTP	1
L1	SCRPPH1276	SCREW,PPH,BLACK ZINC,M3-.5 X 8MM	1
M1	NUTJAM1032	NUT,JAM,THIN,STAINLESS STEEL,3/8-32	1
N1	PLSTIE1004	TIE WRAP,BLACK,8"	1
O1	MEC138556	BRACKET,STRAIN RELIEF,AAM	1
P1	MEC136981	MOUNTING BRACKET,ASSY,4-FUNCTION PUSH BUTTON,W/EXTENSION & MOUNTING HARDWARE,TRU-BALANCE 3	1
Q1	ELE146865	ELECTRONIC,SELF WRAPPING,5/8"D,10"L,SPLIT TUBULAR WOVEN SLEEVE,TECHFLEX(F6W0.63BK10)	1

Q-Logic 2 Lift, Tilt, & Recline, REAC Lift / I-Level

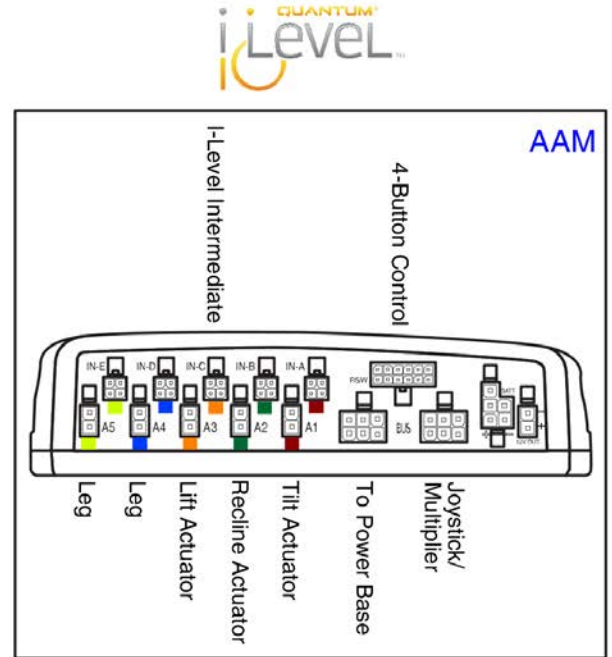
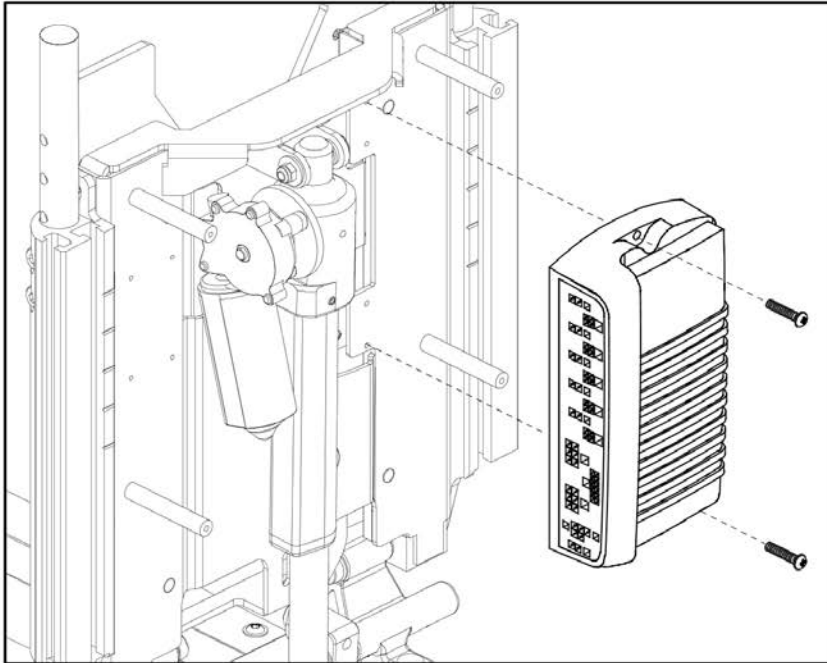
TB3 Q-Logic 2 REAC Lift, Tilt, & Recline with I-Level Master Assy's		
A1	ELE148279	Lift, Tilt, & Recline
B1	ELE148291	Lift, Tilt, & Recline 4-Button Control
C1	ELE148281	Lift, Tilt, & Recline w/ Attendant Control
D1	ELE148292	Lift, Tilt, & Recline w/ Attendant Control, 4-Button Control
E1	ELE148282	Lift, Tilt, & Recline w/ Independant Legs
F1	ELE148284	Lift, Tilt, & Recline w/ Independant Legs & Attendant Control
G1	ELE148285	Lift, Tilt, & Recline w/ Combined Legs
H1	ELE148293	Lift, Tilt, & Recline w/ Combined Legs, 4-Button Control
I1	ELE148287	Lift, Tilt, & Recline w/ Combined Legs & Attendant Control
J1	ELE148294	Lift, Tilt, & Recline w/ Comb. Legs & Att. Control, 4-Button Control
K1	ELE148288	Lift, Tilt, & Recline w/ AFP
L1	ELE148295	Lift, Tilt, & Recline w/ AFP, 4-Button Control
M1	ELE148290	Lift, Tilt, & Recline w/ AFP & Attendant Control
N1	ELE148296	Lift, Tilt, & Recline w/ AFP & Att. Control, 4-Button Control

The master assemblies include harnesses, seating module,
& mounting hardware for the various configurations.



Item	Part No.	Name	Qty
A1	ELE148279	ELECTRONIC, CURTIS/AAM, I-LEVEL, LIFT TILT & RECLINE (CONFIG. #34)	1
B1	ELE148291	ELECTRONIC, ASSY, CURTIS/AAM, LIFT TILT & RECLINE, W/4-FUNCTION PUSH BUTTON CONTROL, (CONF. #34)	1
C1	ELE148281	ELECTRONIC, ASSY, CURTIS/AAM, LIFT TILT & RECLINE, W/ATTENDANT CONTROL, (CONF. #34)	1
D1	ELE148292	ELECTRONIC, ASSY, CURTIS/AAM, LIFT TILT & RECLINE, W/ATTENDANT CONTROL & 4-FUNCTION PUSH BUTTON CONTROL, (CONF. #34)	1
E1	ELE148282	ELECTRONIC, CURTIS/AAM, INDEPENDENT LEGS, I-LEVEL, LIFT TILT & RECLINE (CONFIG. #35)	1
F1	ELE148284	ELECTRONIC, ASSY, CURTIS/AAM, LIFT TILT & RECLINE, INDEPENDENT LEGS, W/ATTENDANT CONTROL, (CONF. #35)	1
G1	ELE148285	ELECTRONIC, CURTIS/AAM, LIFT TILT & RECLINE, COMBINED LEGS (CONFIG. #36)	1
H1	ELE148293	ELECTRONIC, ASSY, CURTIS/AAM, LIFT TILT & RECLINE, COMBINED LEGS, W/4-FUNCTION PUSH BUTTON CONTROL, (CONF. #36)	1
I1	ELE148287	ELECTRONIC, ASSY, CURTIS/AAM, LIFT TILT & RECLINE, COMBINED LEGS, W/ATTENDANT CONTROL, (CONF. #36)	1
J1	ELE148294	ELECTRONIC, ASSY, CURTIS/AAM, LIFT TILT & RECLINE, COMBINED LEGS, W/ATTENDANT CONTROL & 4-FUNCTION PUSH BUTTON CONTROL, (CONF. #3)	1
K1	ELE148288	ELECTRONIC, ASSY, CURTIS/AAM, LIFT TILT & RECLINE, AFP, (CONF. #37)	1
L1	ELE148295	ELECTRONIC, ASSY, CURTIS/AAM, LIFT TILT & RECLINE, AFP, W/4-FUNCTION PUSH BUTTON CONTROL, (CONF. #37)	1
M1	ELE148290	ELECTRONIC, ASSY, CURTIS/AAM, LIFT TILT & RECLINE, AFP, W/ATTENDANT CONTROL, (CONF. #37)	1
N1	ELE148296	ELECTRONIC, ASSY, CURTIS/AAM, LIFT TILT & RECLINE, AFP, W/ATTENDANT CONTROL & 4-FUNCTION PUSH BUTTON CONTROL, (CONF. #37)	1

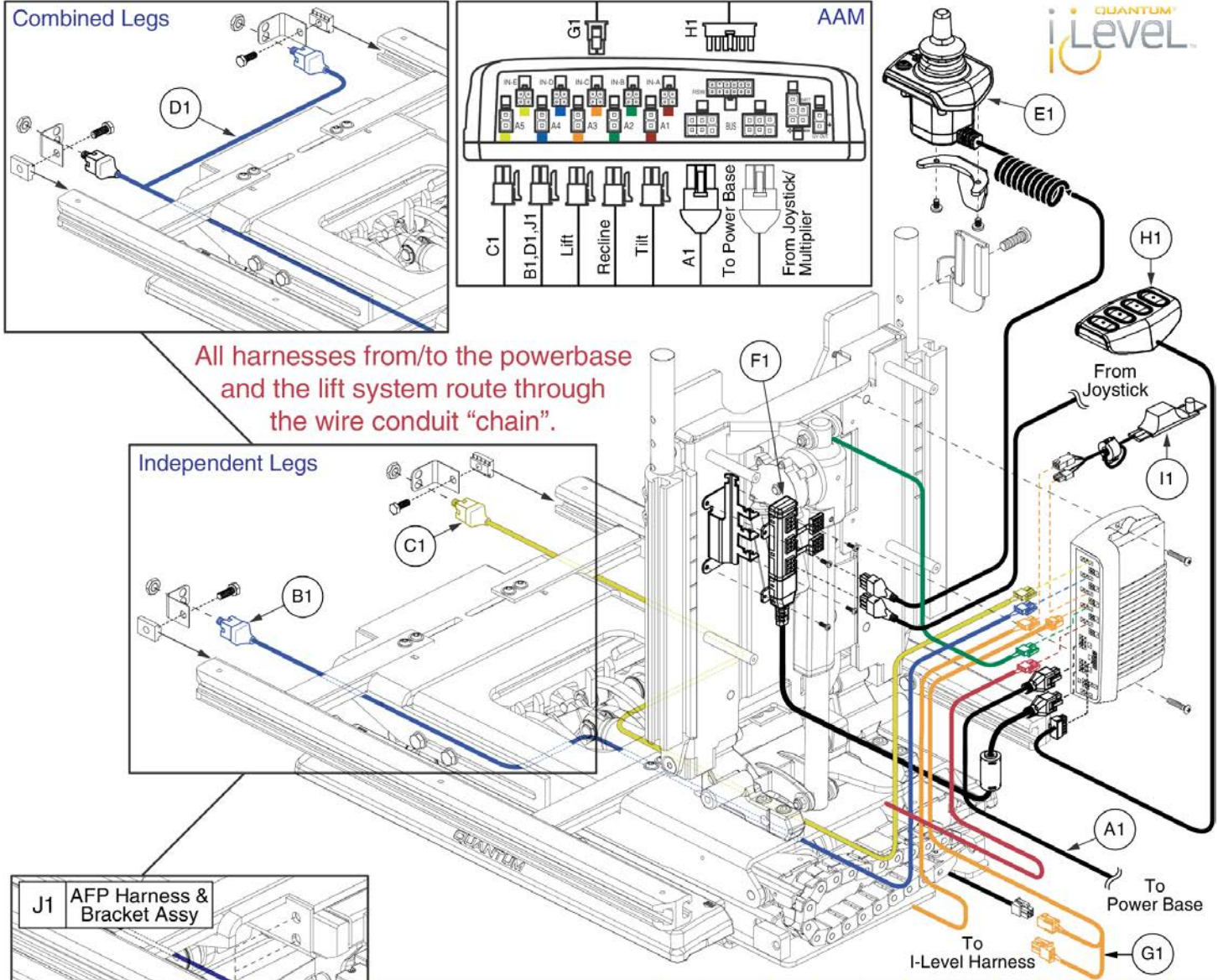
Q-Logic 2 Lift, Tilt, & Recline, REAC Lift / I-Level



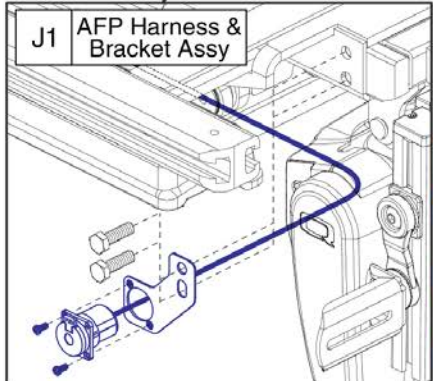
TB3 Q-Logic 2 REAC Lift, Tilt, & Recline with I-Level AAM Assy's		
A1	ELE148280	Lift, Tilt, & Recline
		Lift, Tilt, & Recline, 4-Button Control
		Lift, Tilt, & Recline w/ Attendant Control
		Lift, Tilt, & Recline w/ Attendant Control, 4-Button Control
B1	ELE148283	Lift, Tilt, & Recline w/ Independent Legs
		Lift, Tilt, & Recline w/ Independent Legs & Attendant Control
C1	ELE148286	Lift, Tilt, & Recline w/ Combined Legs
		Lift, Tilt, & Recline w/ Combined Legs, 4-Button Control
		Lift, Tilt, & Recline w/ Combined Legs & Attendant Control
D1	ELE148289	Lift, Tilt, & Recline w/ AFP
		Lift, Tilt, & Recline w/ AFP, 4-Button Control
		Lift, Tilt, & Recline w/ AFP & Attendant Control
		Lift, Tilt, & Recline w/ AFP & Attendant Control, 4-Button Control

Item	Part No.	Name	Qty
A1	ELE148280	AAM, TILT/RECLINE/ELEVATE, ILEVEL (CONFIG. #34)	1
B1	ELE148283	AAM, TILT/RECLINE/ELEVATE, INDEPENDENT LEGS,ILEVEL(CONFIG. #35)	1
C1	ELE148286	AAM,COMBINED LEGS, I-LEVEL, TILT/RECLINE/ELEVATE(CONFIG. #36)	1
D1	ELE148289	ELECTRONIC,ASSY,CURTIS AAM MODULE,W/ PROGRAMMING,TILT/RECLINE/ELEVATE/POWER FOOT PLATFORM,ILEVEL(CONFIGURATION # 37)	1

Q-Logic 2 Lift, Tilt, & Recline, REAC Lift / I-Level



All harnesses from/to the powerbase and the lift system route through the wire conduit "chain".



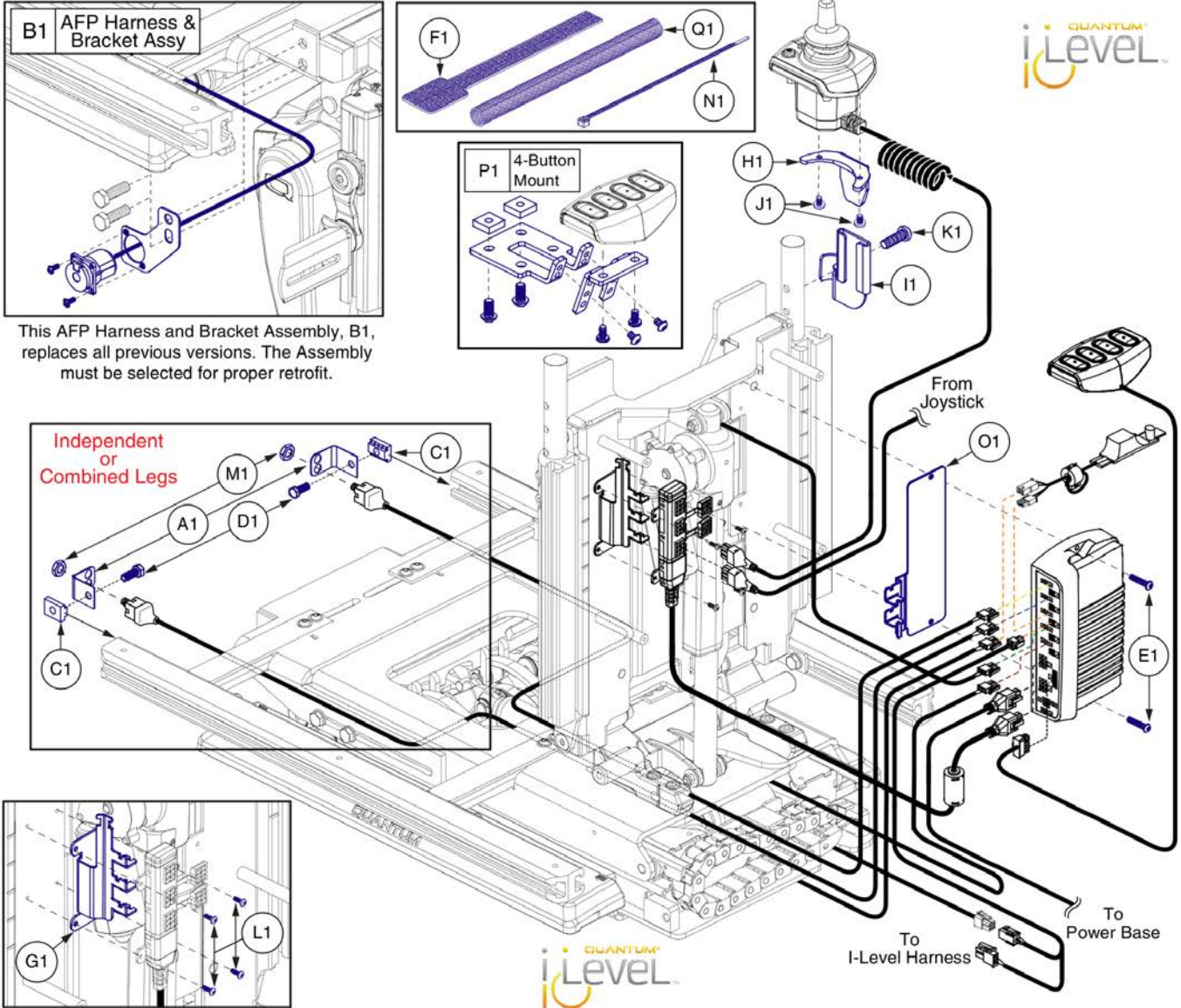
This AFP Harness and Bracket Assembly, J1, replaces all previous versions. The Assembly must be selected for proper retrofit.



Lift, Tilt, & Recline w/I-Level & Master Assy	A1	B1	C1	D1	E1	F1	G1	H1	I1	J1
Lift, Tilt, & Recline Only	1						1		1	
Lift, Tilt, & Recline Only, 4-Button	1						1	1	1	
Attendant Control	1				1	1	1		1	
Attendant Control, 4-Button	1				1	1	1	1	1	
Independent Legs	1	1	1				1		1	
Ind. Legs w/Att. Control	1	1	1		1	1	1		1	
Combined Legs	1			1			1		1	
Combined Legs, 4-Button	1			1			1	1	1	
Comb. Legs w/Att. Control	1			1	1	1	1		1	
Comb. Legs w/Att. Control, 4-Button	1			1	1	1	1	1	1	
AFP	1						1		1	1
AFP, 4-Button	1						1	1	1	1
AFP w/Att. Control	1				1	1	1		1	1
AFP w/Att. Control, 4-Button	1				1	1	1	1	1	1

Item	Part No.	Name	Qty
A1	DWR1111H047	HARNESS,BUS CABLE,1.0 METER,FEMALE/FEMALE,H-1111-047,(CURTIS:17881302)	1
B1	DWR1265H006	ELECTRONIC,HARNESS,INDEPENDENT ELR,CURTIS,TRU-BALANCE TILT 2,LEFT,H-1265-006	1
C1	DWR1265H007	ELECTRONIC,HARNESS,INDEPENDENT ELR,CURTIS,TRU-BALANCE TILT 2,RIGHT,H-1265-007	1
D1	DWR1265H005	ELECTRONIC,HARNESS,COMBINED ELR,CURTIS,TRU-BALANCE TILT 2,H-1265-005	1
E1	CTL137822	CONTROLLER,ATTENDANT CONTROL MODULE 2.0,Q-LOGIC 2	1
F1	DWR1111H053	HARNESS,MULTIPLIER BOX,0.3 METER,H-1111-053,(CURTIS: 17869700)	1
G1	ELE145770	HARNESS,ILEVEL SEAT INTERMEDIATE HARNESS	1
H1	CTL123218	CONTROLLER,4-FUNCTION PUSH BUTTON,(CURTIS: 17682700)	1
I1	ELE153301	ELECTRICAL,ASSEMBLY,REAC LIFT BACK DRIVE PCBA & INPUT/OUTPUT HARNESS	1
J1	ELE1704823	ELECTRONIC,ASSY,AFP W/MOUNTING BRACKET & HARDWARE,TB3,VERSION 2	1

Q-Logic 2 Lift, Tilt, & Recline, REAC Lift / I-Level



This AFP Harness and Bracket Assembly, B1, replaces all previous versions. The Assembly must be selected for proper retrofit.

Independent or Combined Legs

Lift, Tilt, & Recline w/ I-Level &	Master Assy	A1	B1	C1	D1	E1	F1	G1	H1	I1	J1	K1	L1	M1	N1	O1	P1	Q1
Lift, Tilt, & Recline	ELE148279					2	2								5	1		1
Lift, Tilt, & Recline, 4-Button	ELE148291					2	2								5	1	1	1
Attendant Control	ELE148281					2	2	1	1	1	2	1	4		5	1		1
Attendant Control, 4-Button	ELE148292					2	2	1	1	1	2	1	4		5	1	1	1
Independent Legs	ELE148282	2		2	2	2	2							2	5	1		1
Ind. Legs w/Att. Control	ELE148284	2		2	2	2	2	1	1	1	2	1	4	2	5	1		1
Combined Legs	ELE148285	2		2	2	2	2							2	5	1		1
Combined Legs, 4-Button	ELE148293	2		2	2	2	2							2	5	1	1	1
Comb. Legs w/Att. Control	ELE148287	2		2	2	2	2	1	1	1	2	1	4	2	5	1		1
Comb. Legs w/Att. Control, 4-Button	ELE148294	2		2	2	2	2	1	1	1	2	1	4	2	5	1	1	1
AFP	ELE148288		1			2	1								5	1		1
AFP, 4-Button	ELE148295		1			2	2								5	1	1	1
AFP w/Att Control	ELE148290		1			2	1	1	1	1	2	1	4		5	1		1
AFP w/Att Control, 4-Button	ELE148296		1			2	2	1	1	1	2	1	4		5	1	1	1

Item	Part No.	Name	Qty
A1	DWR1303B026	ELECTRICAL CONNECTION BRACKET,ARTICULATING LEGREST	1
B1	ELE1704823	ELECTRONIC,ASSY,AFP W/MOUNTING BRACKET & HARDWARE,TB3,VERSION 2	1
C1	NUT8120005	NUT,T-SLOT,BLACK,M8-1.25	1
D1	SCRHHCS1382	SCREW,HHCS,BLACK ZINC CHROMATE,M8-1.25 X 12MM,10.9	1
E1	SCRPPH1061	SCREW, PPH,ZINC,M4 X .7T X 20MM	1
F1	VELDBLS1001	REUSABLE FASTENER,1/2"W X 8"L,HOOK & LOOP	1
G1	MEC120550	BRACKET,STRAIN RELIEF,MULTIPLEX	1
H1	DWR1010D298	MOUNTING BRACKET,ATTENDANT BRACKET,CURTIS STAND ALONE JOYSTICK,D-1010-298	1
I1	MEC122827	ATTENDANT CONTROL MOUNT CATCH PLATE	1
J1	SCRPPH1165	SCREW,PPH,BLACK ZINC,M4-.7 X 8MM,P-TYPE	1
K1	HDW124866	SCREW, LOW SOCKET HEAD, M8X1.25 X 25, DIN 7984, CL 10.9, BZ, PVTP	1
L1	SCRPPH1276	SCREW,PPH,BLACK ZINC,M3-.5 X 8MM	1
M1	NUTJAM1032	NUT,JAM,THIN,STAINLESS STEEL,3/8-32	1
N1	PLSTIE1004	TIE WRAP,BLACK,8"	1
O1	MEC138556	BRACKET,STRAIN RELIEF,AAM	1
P1	MEC136981	MOUNTING BRACKET,ASSY,4-FUNCTION PUSH BUTTON,W/EXTENSION & MOUNTING HARDWARE,TRU-BALANCE 3	1
Q1	ELE146865	ELECTRONIC,SELF WRAPPING,5/8"D,10"L,SPLIT TUBULAR WOVEN SLEEVE,TECHFLEX(F6W0.63BK10)	1

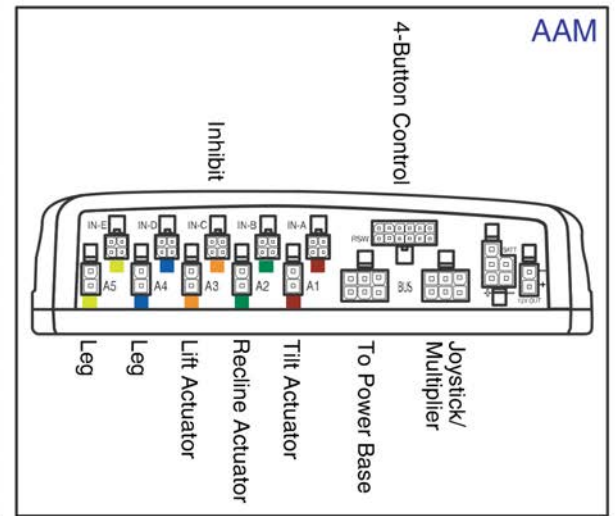
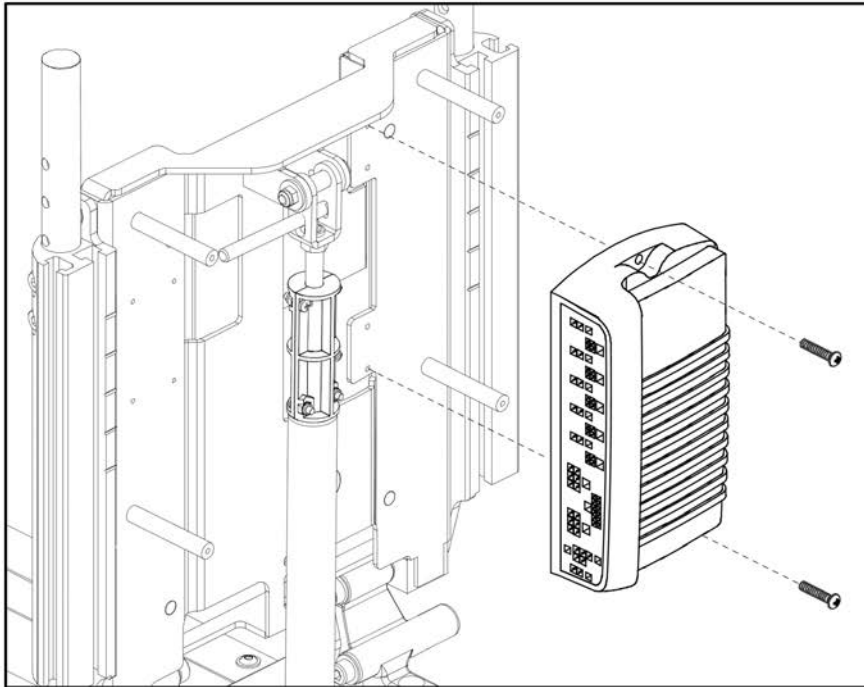
Q-Logic 2 Lift Only, REAC Lift / NON I-Level

TB3 Q-Logic 2 REAC Lift, NON I-Level Master Assy's		
A1	ELE130756	Lift Only
B1	ELE135166	Lift Only, 4-Button Control
C1	ELE130757	Lift w/ Independent Legs
D1	ELE130758	Lift w/ Combined Legs
E1	ELE135167	Lift w/ Combined Legs, 4-Button Control
F1	ELE130759	Lift w/ Power AFP
G1	ELE135168	Lift w/ Power AFP, 4-Button Control

The NON I-Level master assemblies include harnesses, seating module, & mounting hardware for the various configurations.

Item	Part No.	Name	Qty
A1	ELE130756	ELECTRONIC,CURTIS/AAM,LIFT (CONFIG. #04)	1
B1	ELE135166	LIFT ONLY,4-BUTTON,(CONFIG.#04)	1
C1	ELE130757	ELECTRONIC,CURTIS/AAM, INDEPENDENT LEGS, LIFT (CONFIG. #05)	1
D1	ELE130758	ELECTRONIC,CURTIS/AAM, COMBINED LEGS, LIFT (CONFIG. #06)	1
E1	ELE135167	LIFT W/COMBINED LEGS,4-BUTTON,(CONFIG.#06)	1
F1	ELE130759	LIFT W/AFP,(CONFIG.#07)	1
G1	ELE135168	LIFT W/AFP,4-BUTTON,(CONFIG.#07)	1

Q-Logic 2 Lift Only, REAC Lift / NON I-Level



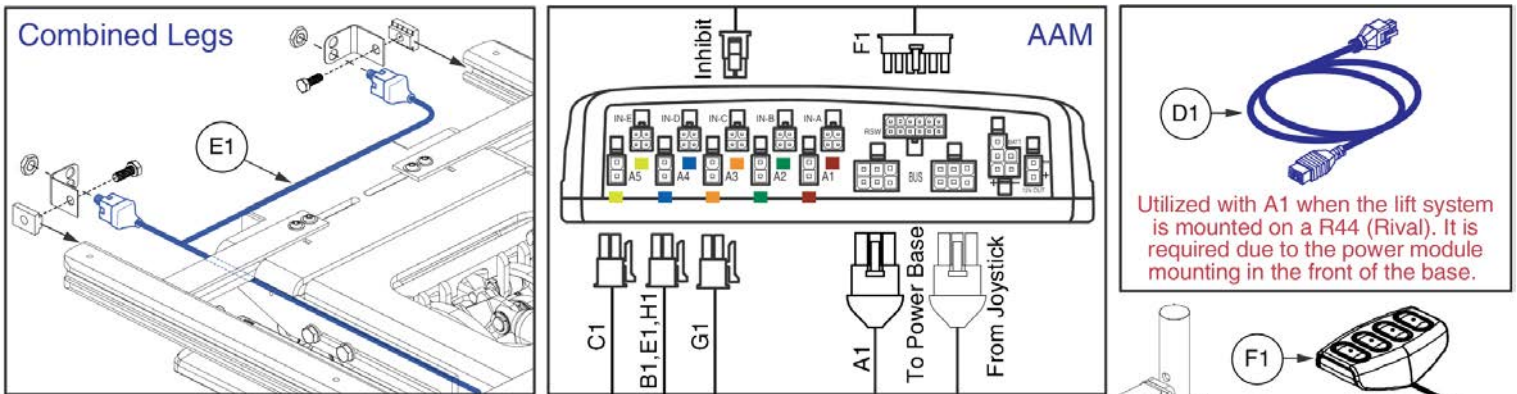
TB3 Q-Logic 2 REAC Lift, NON I-Level AAM Assy's

A1	ELEASMB5616	Lift Only Lift Only, 4-Button Control
B1	ELEASMB5617	Lift w/ Independent Legs
C1	ELEASMB5618	Lift w/ Combined Legs
		Lift w/ Combined Legs, 4-Button Control
D1	ELEASMB5619	Lift w/ Power AFP
		Lift w/ Power AFP, 4-Button Control



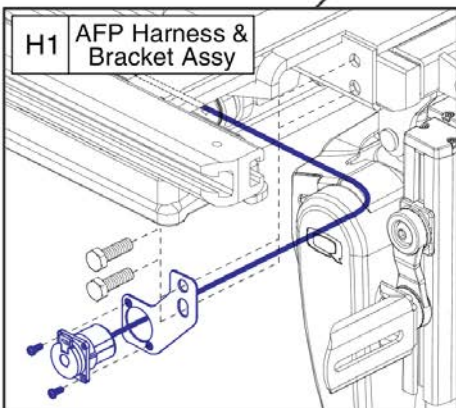
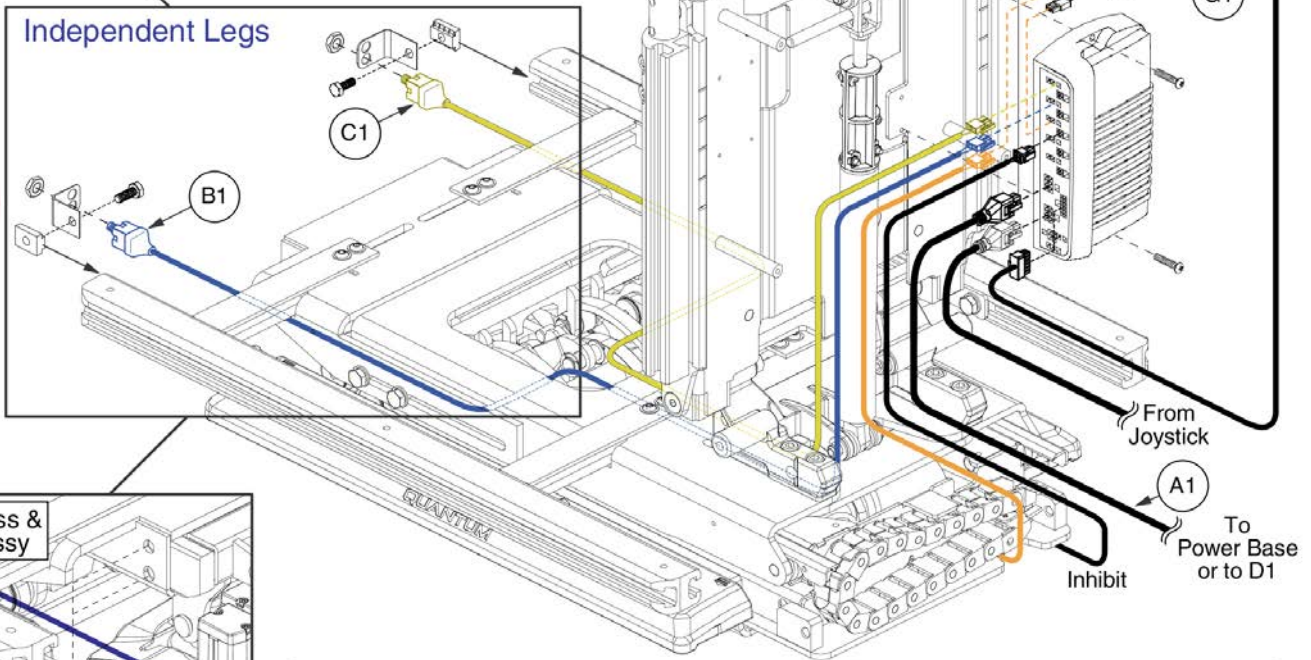
Item	Part No.	Name	Qty
A1	ELEASMB5616	AAM,ELEVATE (CONFIG. #04)	1
B1	ELEASMB5617	AAM, ELEVATE, INDEPENDENT LEGS (CONFIG. #05)	1
C1	ELEASMB5618	AAM, ELEVATE, COMBINED LEGS (CONFIG. #06)	1
D1	ELEASMB5619	AAM,LIFT W/AFP,(CONFIG.#07)	1

Q-Logic 2 Lift Only, REAC Lift / NON I-Level



Utilized with A1 when the lift system is mounted on a R44 (Rival). It is required due to the power module mounting in the front of the base.

All harnesses from/to the powerbase and the lift system route through the wire conduit "chain".

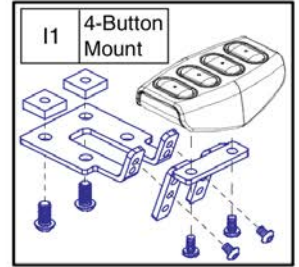
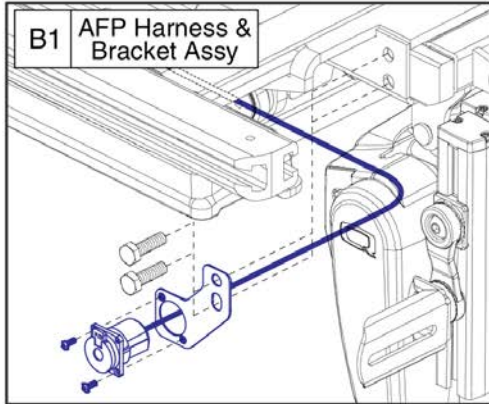


This AFP Harness & Bracket Assy, H1, replaces all previous versions. The Assy must be selected for proper retrofit.

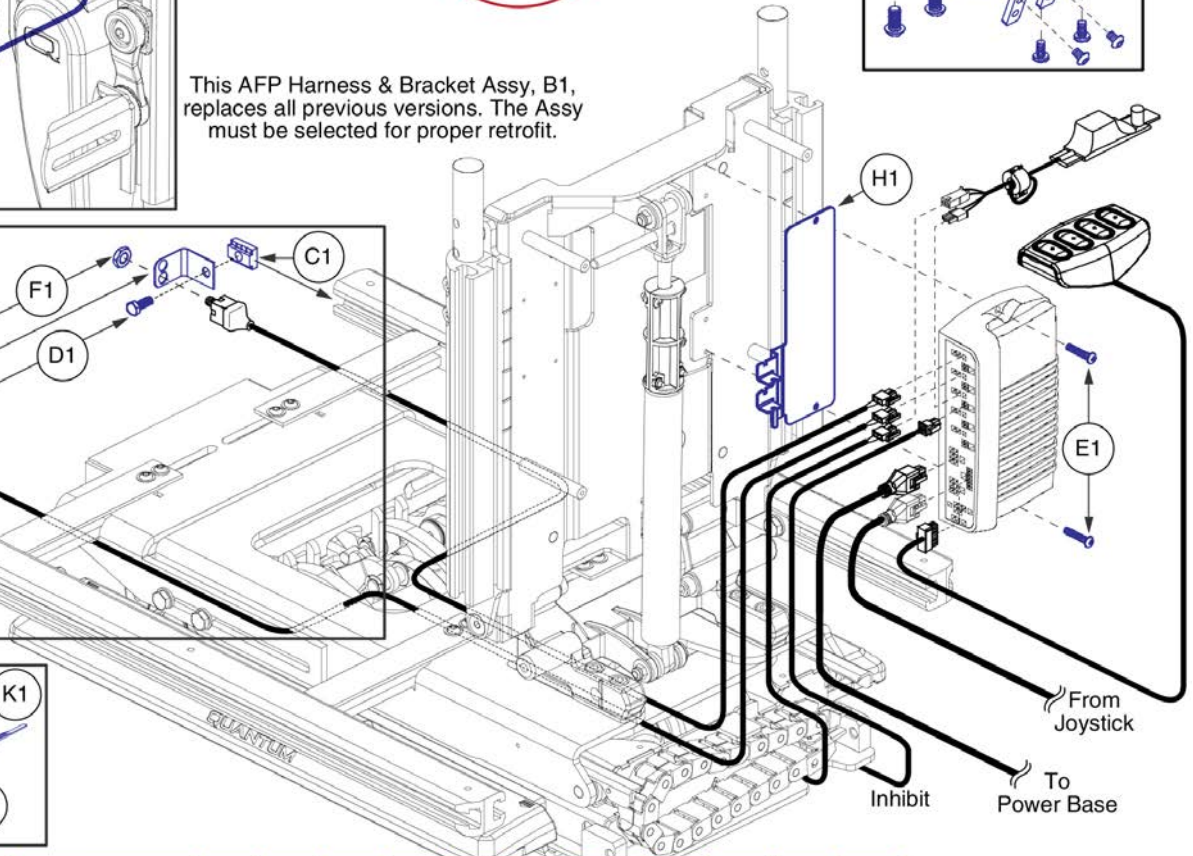
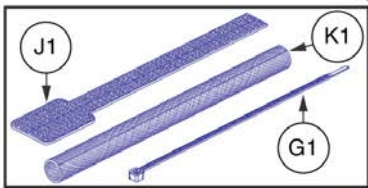
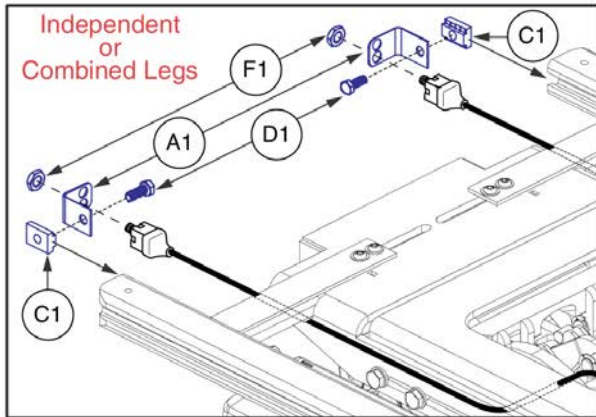
Lift Only &	Master Assy	A1	B1	C1	D1	E1	F1	G1	H1
Lift Only	ELE130756	1			1			1	
Lift Only, 4-Button	ELE135166	1			1		1	1	
Independent Legs	ELE130757	1	1	1	1			1	
Combined Legs	ELE130758	1			1	1		1	
Combined Legs, 4-Button	ELE135167	1			1	1	1	1	
AFP	ELE130759	1			1			1	1
AFP, 4-Button	ELE135168	1			1		1	1	1

Item	Part No.	Name	Qty
A1	DWR1111H047	HARNESS,BUS CABLE,1.0 METER,FEMALE/FEMALE,H-1111-047,(CURTIS:17881302)	1
B1	DWR1265H006	ELECTRONIC,HARNESS,INDEPENDENT ELR,CURTIS,TRU-BALANCE TILT 2,LEFT,H-1265-006	1
C1	DWR1265H007	ELECTRONIC,HARNESS,INDEPENDENT ELR,CURTIS,TRU-BALANCE TILT 2,RIGHT,H-1265-007	1
D1	DWR1111H065	ELECTRONIC,HARNESS,BUS EXTENSION CABLE,CURTIS,0.410 METER,MALE/FEMALE,H-1111-065,(CURTIS: 17881303)	1
E1	DWR1265H005	ELECTRONIC,HARNESS,COMBINED ELR,CURTIS,TRU-BALANCE TILT 2,H-1265-005	1
F1	CTL123218	CONTROLLER,4-FUNCTION PUSH BUTTON,(CURTIS: 17682700)	1
G1	ELE153301	ELECTRICAL,ASSEMBLY,REAC LIFT BACK DRIVE PCBA & INPUT/OUTPUT HARNESS	1
H1	ELE1704823	ELECTRONIC,ASSY,AFP W/MOUNTING BRACKET & HARDWARE,TB3,VERSION 2	1

Q-Logic 2 Lift Only, REAC Lift / NON I-Level



This AFP Harness & Bracket Assy, B1, replaces all previous versions. The Assy must be selected for proper retrofit.



Lift Only &	Master Assy	A1	B1	C1	D1	E1	F1	G1	H1	I1	J1	K1
Lift Only	ELE130756					2		5	1		1	1
Lift Only, 4-Button	ELE135166					2		5	1	1	1	1
Independent Legs	ELE130757	2		2	2	2	2	5	1		1	1
Combined Legs	ELE130758	2		2	2	2	2	5	1		2	1
Combined Legs, 4-Button	ELE135167	2		2	2	2	2	5	1	1	2	1
AFP	ELE130759		1			2		5	1		1	1
AFP, 4-Button	ELE135168		1			2		5	1	1	2	1



Item	Part No.	Name	Qty
A1	DWR1303B026	ELECTRICAL CONNECTION BRACKET,ARTICULATING LEGREST	1
B1	ELE1704823	ELECTRONIC,ASSY,AFP W/MOUNTING BRACKET & HARDWARE,TB3,VERSION 2	1
C1	NUT8120005	NUT,T-SLOT,BLACK,M8-1.25	1
D1	SCRHHCS1382	SCREW,HHCS,BLACK ZINC CHROMATE,M8-1.25 X 12MM,10.9	1
E1	SCRPPH1061	SCREW, PPH,ZINC,M4 X .7T X 20MM	1
F1	NUTJAM1032	NUT,JAM,THIN,STAINLESS STEEL,3/8-32	1
G1	PLSTIE1004	TIE WRAP,BLACK,8"	1
H1	MEC138556	BRACKET,STRAIN RELIEF,AAM	1
I1	MEC136981	MOUNTING BRACKET,ASSY,4-FUNCTION PUSH BUTTON,W/EXTENSION & MOUNTING HARDWARE,TRU-BALANCE 3	1
J1	VELDBLS1001	REUSABLE FASTENER,1/2"W X 8"L,HOOK & LOOP	1
K1	ELE146865	ELECTRONIC,SELF WRAPPING,5/8"D,10"L,SPLIT TUBULAR WOVEN SLEEVE,TECHFLEX(F6W0.63BK10)	1

Q-Logic 2 Lift & Recline, REAC Lift / NON I-Level

TB3 Q-Logic 2 REAC Lift & Recline, NON I-Level Master Assy's		
A1	ELE130833	Lift & Recline
B1	ELE135206	Lift & Recline, 4-Button Control
C1	ELE130834	Lift & Recline w/ Attendant Control
D1	ELE135208	Lift & Recline w/ Attendant Control, 4-Button Control
E1	ELE130835	Lift & Recline w/ Independant Legs
F1	ELE130836	Lift & Recline w/ Independant Legs & Attendant Control
G1	ELE130837	Lift & Recline w/ Combined Legs
H1	ELE135213	Lift & Recline w/ Combined Legs, 4-Button Control
I1	ELE130838	Lift & Recline w/ Combined Legs & Attendant Control
J1	ELE135217	Lift & Recline w/ Comb. Legs & Att. Control, 4-Button Control
K1	ELE130841	Lift & Recline w/ AFP
L1	ELE135219	Lift & Recline w/ AFP, 4-Button Control
M1	ELE130843	Lift & Recline w/ AFP & Attendant Control
N1	ELE135220	Lift & Recline w/ AFP & Attendant Control, 4-Button Control

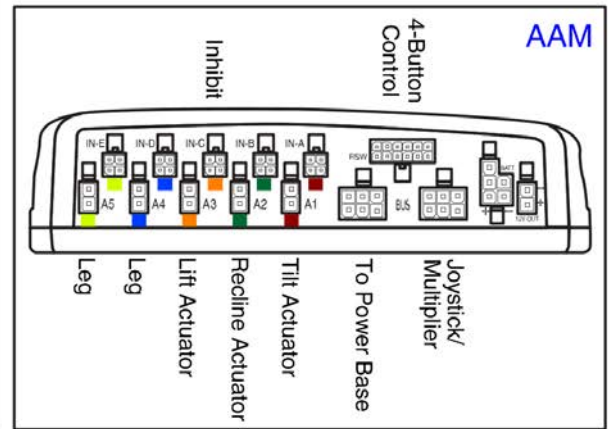
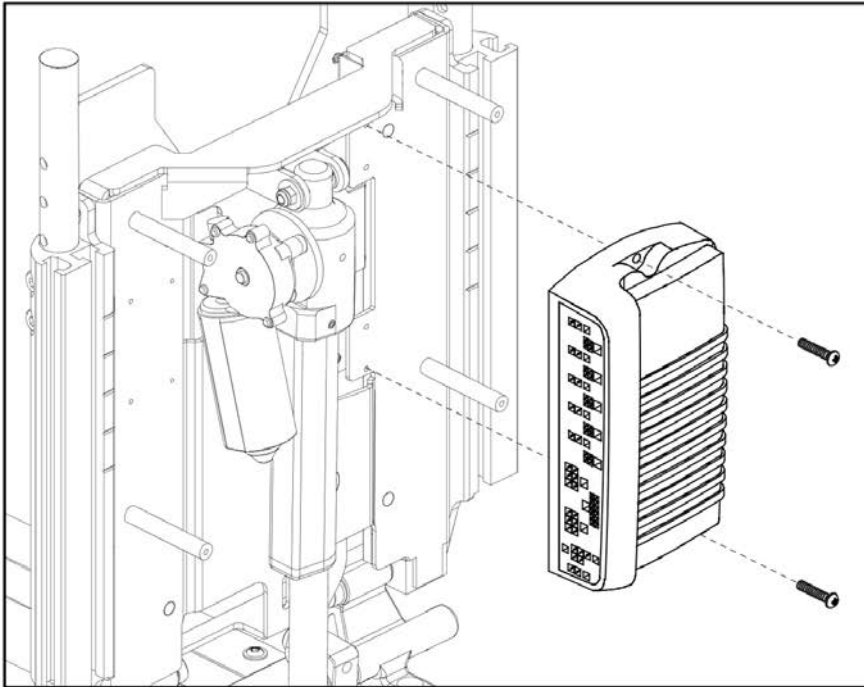


The NON I-Level master assemblies include harnesses, seating module, & mounting hardware for the various configurations.



Item	Part No.	Name	Qty
A1	ELE130833	ELECTRONIC,CURTIS/AAM, LIFT & RECLINE (CONFIG. #14)	1
B1	ELE135206	LIFT & RECLINE,4-BUTTON,(CONFIG.#14)	1
C1	ELE130834	LIFT & RECLINE,ATTENDANT CONTROL,(CONFIG.#14)	1
D1	ELE135208	LIFT & RECLINE,ATTENDANT CONTROL,4-BUTTON,(CONFIG.#14)	1
E1	ELE130835	ELECTRONIC,CURTIS/AAM, INDEPENDENT LEGS, LIFT & RECLINE (CONFIG. #15)	1
F1	ELE130836	LIFT & RECLINE W/INDEPENDENT LEGS,ATTENDANT CONTROL,(CONFIG.#15)	1
G1	ELE130837	ELECTRONIC,CURTIS/AAM, LIFT & RECLINE,COMBINED LEGS (CONFIG. #16)	1
H1	ELE135213	LIFT & RECLINE W/COMBINED LEGS,4-BUTTON,(CONFIG.#16)	1
I1	ELE130838	LIFT & RECLINE W/COMBINED LEGS,ATTENDANT CONTROL,(CONFIG.#16)	1
J1	ELE135217	LIFT & RECLINE W/COMBINED LEGS,ATTENDANT CONTROL,4-BUTTON,(CONFIG.#16)	1
K1	ELE130841	LIFT & RECLINE W/AFP,(CONFIG.#17)	1
L1	ELE135219	LIFT & RECLINE W/AFP,4-BUTTON,(CONFIG.#17)	1
M1	ELE130843	LIFT & RECLINE W/AFP,ATTENDANT CONTROL,(CONFIG.#17)	1
N1	ELE135220	LIFT & RECLINE W/AFP,ATTENDANT CONTROL,4-BUTTON,(CONFIG.#17)	1

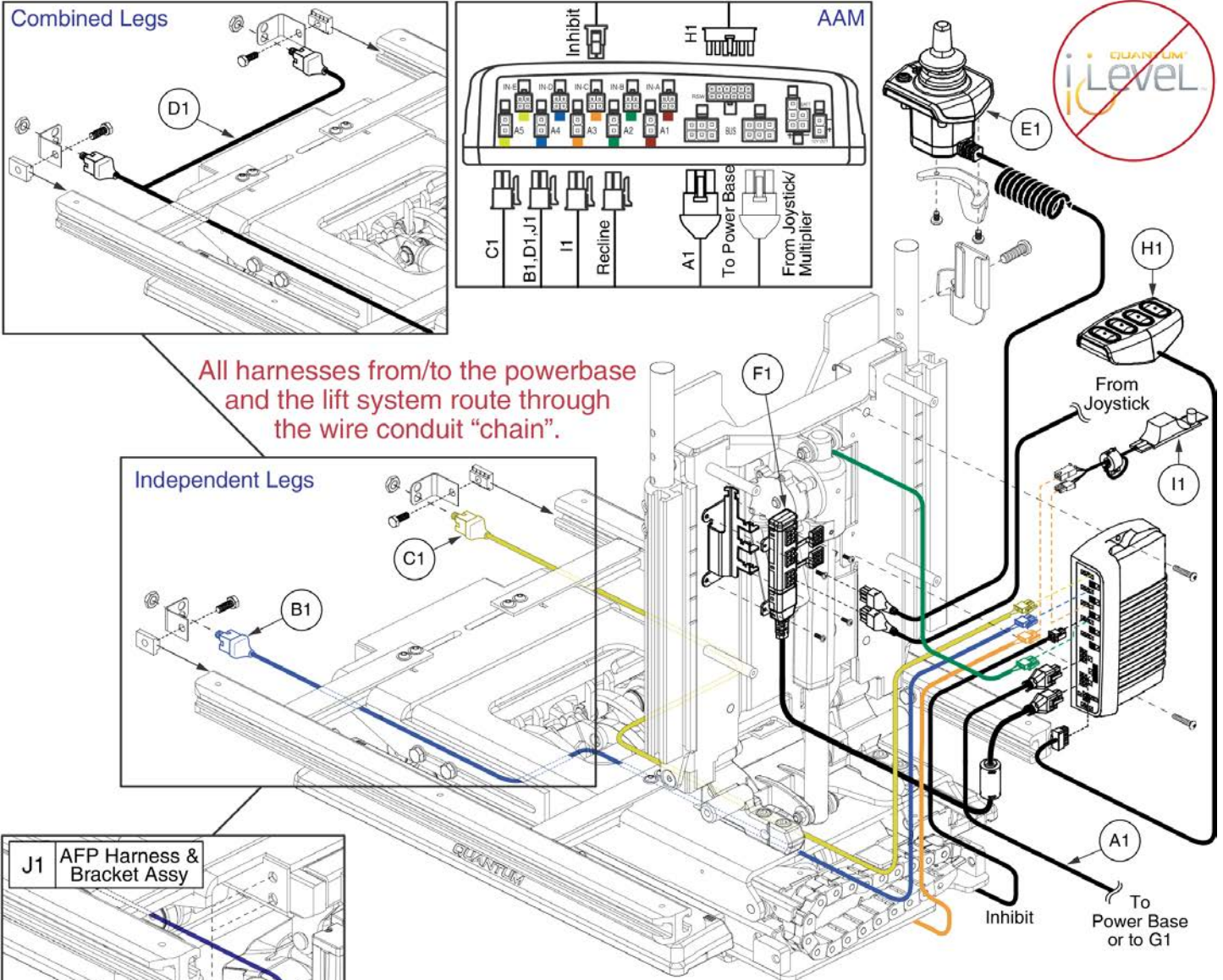
Q-Logic 2 Lift & Recline, REAC Lift / NON I-Level



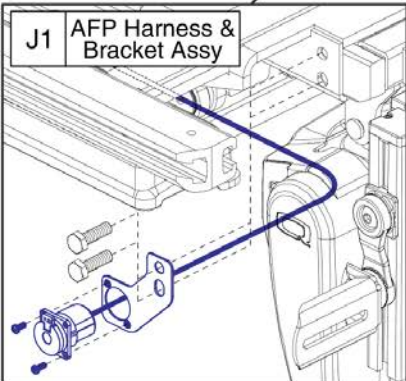
TB3 Q-Logic 2 REAC Lift & Recline, NON I-Level AAM Assy's		
A1	ELEASMB5624	Lift & Recline
		Lift & Recline, 4-Button Control
		Lift & Recline w/ Attendant Control
		Lift & Recline w/ Attendant Control, 4-Button Control
B1	ELEASMB5625	Lift & Recline w/ Independent Legs
		Lift & Recline w/ Independent Legs & Attendant Control
C1	ELEASMB5626	Lift & Recline w/ Combined Legs
		Lift & Recline w/ Combined Legs, 4-Button Control
		Lift & Recline w/ Combined Legs & Attendant Control
		Lift & Recline w/ Combined Legs & Att. Control, 4-Button Control
D1	ELEASMB5627	Lift & Recline w/ AFP
		Lift & Recline w/ AFP, 4-Button Control
		Lift & Recline w/ AFP & Attendant Control
		Lift & Recline w/ AFP & Attendant Control, 4-Button Control

Item	Part No.	Name	Qty
A1	ELEASMB5624	AAM, RECLINE/ELEVATE (CONFIG. #14)	1
B1	ELEASMB5625	AAM, RECLINE/ELEVATE, INDEPENDENT LEGS (CONFIG. #15)	1
C1	ELEASMB5626	AAM, RECLINE/ELEVATE, COMBINED LEGS (CONFIG. #16)	1
D1	ELEASMB5627	AAM, LIFT & RECLINE W/AFP, (CONFIG. #17)	1

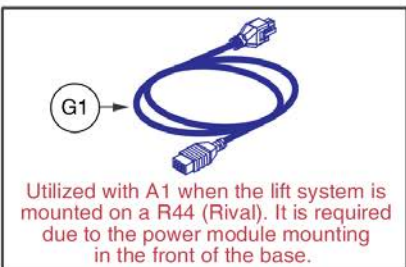
Q-Logic 2 Lift & Recline, REAC Lift / NON I-Level



All harnesses from/to the powerbase and the lift system route through the wire conduit "chain".



This AFP Harness & Bracket Assy, J1, replaces all previous versions. The Assy must be selected for proper retrofit.

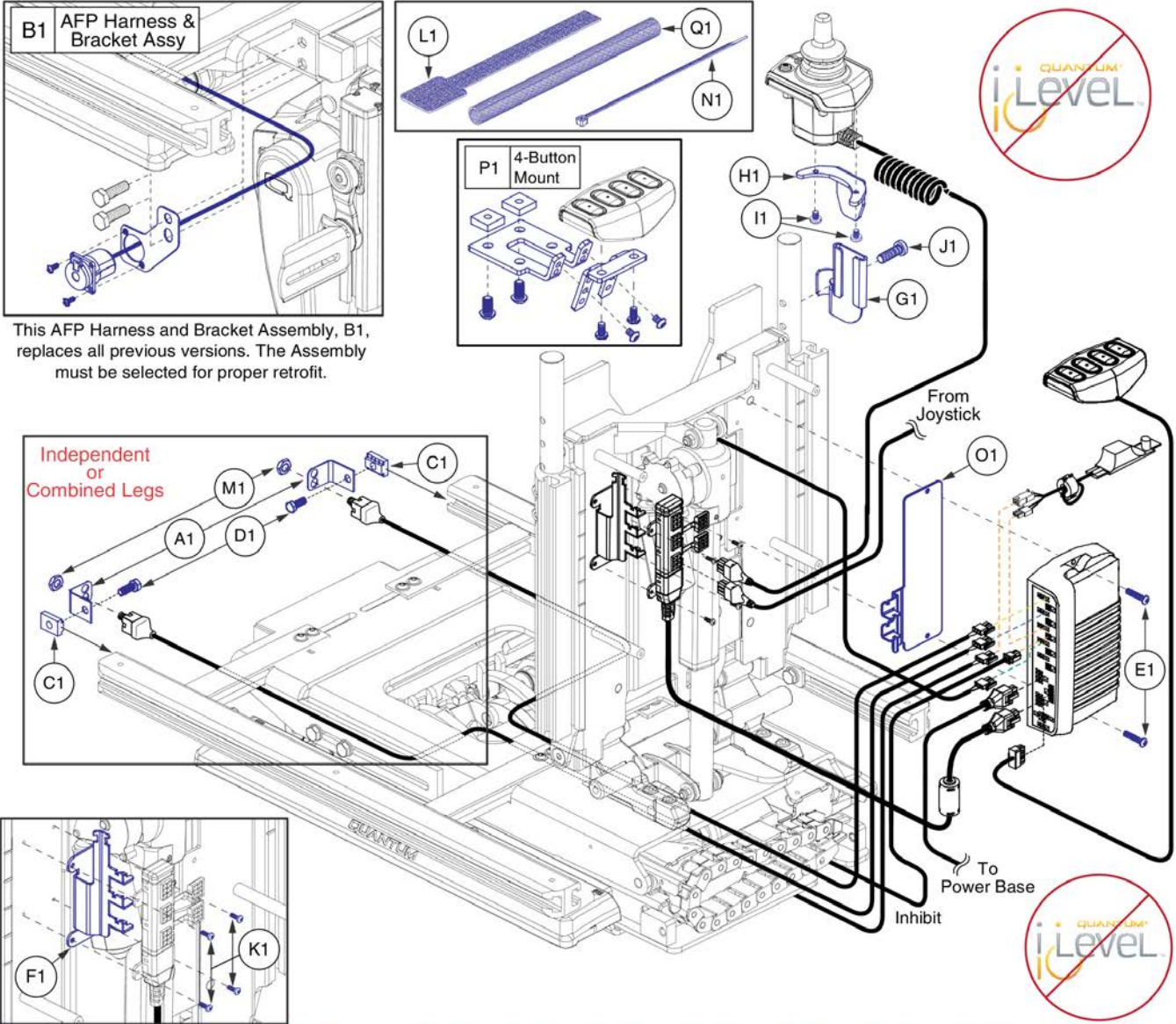


Utilized with A1 when the lift system is mounted on a R44 (Rival). It is required due to the power module mounting in the front of the base.

Lift & Recline &	Master Assy	A1	B1	C1	D1	E1	F1	G1	H1	I1	J1
Lift & Recline Only	ELE130833	1						1		1	
Lift & Recline Only, 4-Button	ELE135206	1						1	1	1	
Attendant Control	ELE130834	1				1	1	1		1	
Attendant Control, 4-Button	ELE135208	1				1	1	1	1	1	
Independent Legs	ELE130835	1	1	1				1		1	
Ind. Legs w/Att. Control	ELE130836	1	1	1		1	1	1		1	
Combined Legs	ELE130837	1			1			1		1	
Combined Legs, 4-Button	ELE135213	1			1			1	1	1	
Comb. Legs w/Att. Control	ELE130838	1			1	1	1	1		1	
Comb. Legs w/Att. Control, 4-Button	ELE135217	1			1	1	1	1	1	1	
AFP	ELE130841	1						1		1	1
AFP, 4-Button	ELE135219	1						1	1	1	1
AFP w/Att. Control	ELE130843	1				1	1	1		1	1
AFP w/Att. Control, 4-Button	ELE135220	1				1	1	1	1	1	1

Item	Part No.	Name	Qty
A1	DWR1111H047	HARNESS,BUS CABLE,1.0 METER,FEMALE/FEMALE,H-1111-047,(CURTIS:17881302)	1
B1	DWR1265H006	ELECTRONIC,HARNESS,INDEPENDENT ELR,CURTIS,TRU-BALANCE TILT 2,LEFT,H-1265-006	1
C1	DWR1265H007	ELECTRONIC,HARNESS,INDEPENDENT ELR,CURTIS,TRU-BALANCE TILT 2,RIGHT,H-1265-007	1
D1	DWR1265H005	ELECTRONIC,HARNESS,COMBINED ELR,CURTIS,TRU-BALANCE TILT 2,H-1265-005	1
E1	CTL137822	CONTROLLER,ATTENDANT CONTROL MODULE 2.0,Q-LOGIC 2	1
F1	DWR1111H053	HARNESS,MULTIPLIER BOX,0.3 METER,H-1111-053,(CURTIS: 17869700)	1
G1	DWR1111H065	ELECTRONIC,HARNESS,BUS EXTENSION CABLE,CURTIS,0.410 METER,MALE/FEMALE,H-1111-065,(CURTIS: 17881303)	1
H1	CTL123218	CONTROLLER,4-FUNCTION PUSH BUTTON,(CURTIS: 17682700)	1
I1	ELE153301	ELECTRICAL,ASSEMBLY,REAC LIFT BACK DRIVE PCBA & INPUT/OUTPUT HARNESS	1
J1	ELE1704823	ELECTRONIC,ASSY,AFP W/MOUNTING BRACKET & HARDWARE,TB3,VERSION 2	1

Q-Logic 2 Lift & Recline, REAC Lift / NON I-Level



This AFP Harness and Bracket Assembly, B1, replaces all previous versions. The Assembly must be selected for proper retrofit.

Independent or Combined Legs

Lift & Recline &	Master Assy	A1	B1	C1	D1	E1	F1	G1	H1	I1	J1	K1	L1	M1	N1	O1	P1	Q1
Lift & Recline	ELE130833					2							1		5	1		1
Lift & Recline, 4-Button	ELE135206					2							2		5	1	1	1
Attendant Control	ELE130834					2	1	1	1	2	1	4	1		5	1		1
Attendant Control, 4-Button	ELE135208					2	1	1	1	2	1	4	2		5	1	1	1
Independent Legs	ELE130835	2		2	2	2							1	2	5	1		1
Ind. Legs w/Att. Control	ELE130836	2		2	2	2	1	1	1	2	1	4	1	2	5	1		1
Combined Legs	ELE130837	2		2	2	2							2	2	5	1		1
Combined Legs, 4-Button	ELE135213	2		2	2	2							2	2	5	1	1	1
Comb. Legs w/Att. Control	ELE130838	2		2	2	2	1	1	1	2	1	4	2	2	5	1		1
Comb. Legs w/Att. Control, 4-Button	ELE135217	2		2	2	2	1	1	1	2	1	4	2	2	5	1	1	1
AFP	ELE130841		1			2							1		5	1		1
AFP, 4-Button	ELE135219		1			2							2		5	1	1	2
AFP w/Att Control	ELE130843		1			2	1	1	1	2	1	4	1		5	1		1
AFP w/Att Control, 4-Button	ELE135220		1			2	1	1	1	2	1	4	2		5	1	1	2

Item	Part No.	Name	Qty
A1	DWR1303B026	ELECTRICAL CONNECTION BRACKET,ARTICULATING LEGREST	1
B1	ELE1704823	ELECTRONIC,ASSY,AFP W/MOUNTING BRACKET & HARDWARE,TB3,VERSION 2	1
C1	NUT8120005	NUT,T-SLOT,BLACK,M8-1.25	1
D1	SCRHHCS1382	SCREW,HHCS,BLACK ZINC CHROMATE,M8-1.25 X 12MM,10.9	1
E1	SCRPPH1061	SCREW, PPH,ZINC,M4 X .7T X 20MM	1
F1	MEC120550	BRACKET,STRAIN RELIEF,MULTIPLEX	1
G1	DWR1010D298	MOUNTING BRACKET,ATTENDANT BRACKET,CURTIS STAND ALONE JOYSTICK,D-1010-298	1
H1	MEC122827	ATTENDANT CONTROL MOUNT CATCH PLATE	1
I1	SCRPPH1165	SCREW,PPH,BLACK ZINC,M4-.7 X 8MM,P-TYPE	1
J1	HDW124866	SCREW, LOW SOCKET HEAD, M8X1.25 X 25, DIN 7984, CL 10.9, BZ, PVTP	1
K1	SCRPPH1276	SCREW,PPH,BLACK ZINC,M3-.5 X 8MM	1
L1	VELDBLS1001	REUSABLE FASTENER,1/2"W X 8"L,HOOK & LOOP	1
M1	NUTJAM1032	NUT,JAM,THIN,STAINLESS STEEL,3/8-32	1
N1	PLSTIE1004	TIE WRAP,BLACK,8"	1
O1	MEC138556	BRACKET,STRAIN RELIEF,AAM	1
P1	MEC136981	MOUNTING BRACKET,ASSY,4-FUNCTION PUSH BUTTON,W/EXTENSION & MOUNTING HARDWARE,TRU-BALANCE 3	1
Q1	ELE146865	ELECTRONIC,SELF WRAPPING,5/8"D,10"L,SPLIT TUBULAR WOVEN SLEEVE,TECHFLEX(F6W0.63BK10)	1

Q-Logic 2 Lift & Tilt, REAC Lift / NON I-Level

TB3 Q-Logic 2 REAC Lift & Tilt, NON I-Level Master Assy's		
A1	ELE130772	Lift & Tilt
B1	ELE135179	Lift & Tilt, 4-Button Control
C1	ELE130782	Lift & Tilt w/ Attendant Control
D1	ELE135182	Lift & Tilt w/ Attendant Control, 4-Button Control
E1	ELE130783	Lift & Tilt w/ Independant Legs
F1	ELE130784	Lift & Tilt w/ Independant Legs & Attendant Control
G1	ELE130785	Lift & Tilt w/ Combined Legs
H1	ELE135185	Lift & Tilt w/ Combined Legs, 4-Button Control
I1	ELE130786	Lift & Tilt w/ Combined Legs & Attendant Control
J1	ELE135187	Lift & Tilt w/ Combined Legs & Att. Control, 4-Button Control
K1	ELE130787	Lift & Tilt w/ AFP
L1	ELE135188	Lift & Tilt w/ AFP, 4-Button Control
M1	ELE130788	Lift & Tilt w/ AFP & Attendant Control
N1	ELE135189	Lift & Tilt w/ AFP & Attendant Control, 4-Button Control

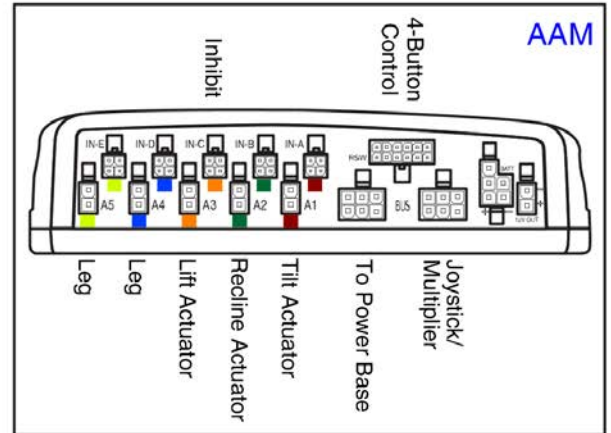
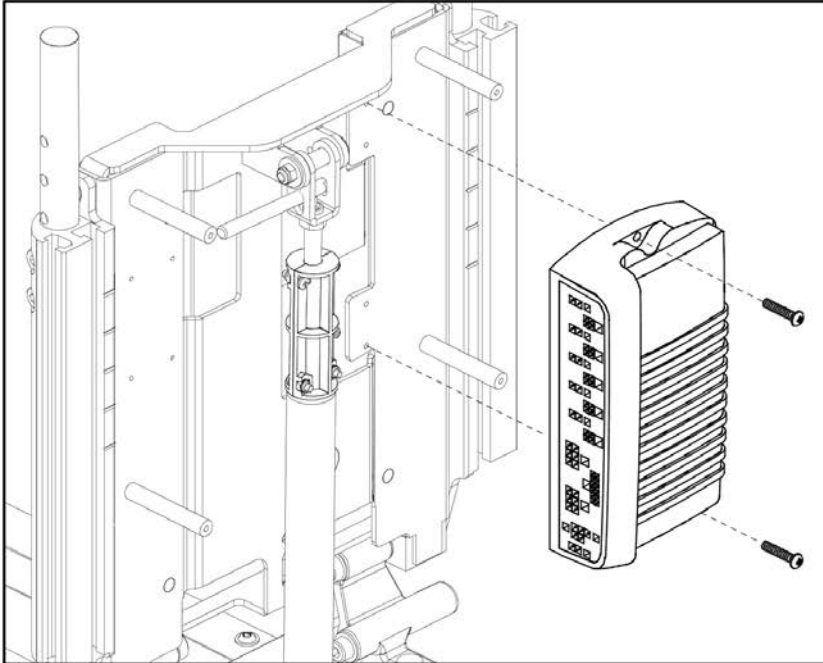


The NON I-Level master assemblies include harnesses, seating module, & mounting hardware for the various configurations.



Item	Part No.	Name	Qty
A1	ELE130772	ELECTRONIC,CURTIS/AAM, LIFT & TILT (CONFIG. #24)	1
B1	ELE135179	LIFT & TILT,4-BUTTON,(CONFIG.#24)	1
C1	ELE130782	LIFT & TILT,ATTENDANT CONTROL,(CONFIG.#24)	1
D1	ELE135182	LIFT & TILT,ATTENDANT CONTROL,4-BUTTON,(CONFIG.#24)	1
E1	ELE130783	ELECTRONIC,CURTIS/AAM, INDEPENDENT LEGS, LIFT & TILT (CONFIG. #25)	1
F1	ELE130784	LIFT & TILT W/INDEPENDENT LEGS,ATTENDANT CONTROL,(CONFIG.#25)	1
G1	ELE130785	LIFT & TILT W/COMBINED LEGS,(CONFIG.#26)	1
H1	ELE135185	LIFT & TILT W/COMBINED LEGS,4-BUTTON,(CONFIG.#26)	1
I1	ELE130786	LIFT & TILT W/COMBINED LEGS,ATTENDANT CONTROL,(CONFIG.#26)	1
J1	ELE135187	LIFT & TILT W/COMBINED LEGS,ATTENDANT CONTROL,4-BUTTON,(CONFIG.#26)	1
K1	ELE130787	LIFT & TILT W/AFP,(CONFIG.#27)	1
L1	ELE135188	LIFT & TILT W/AFP,4-BUTTON,(CONFIG.#27)	1
M1	ELE130788	LIFT & TILT W/AFP,ATTENDANT CONTROL,(CONFIG.#27)	1
N1	ELE135189	LIFT & TILT W/AFP,ATTENDANT CONTROL,4-BUTTON,(CONFIG.#27)	1

Q-Logic 2 Lift & Tilt, REAC Lift / NON I-Level

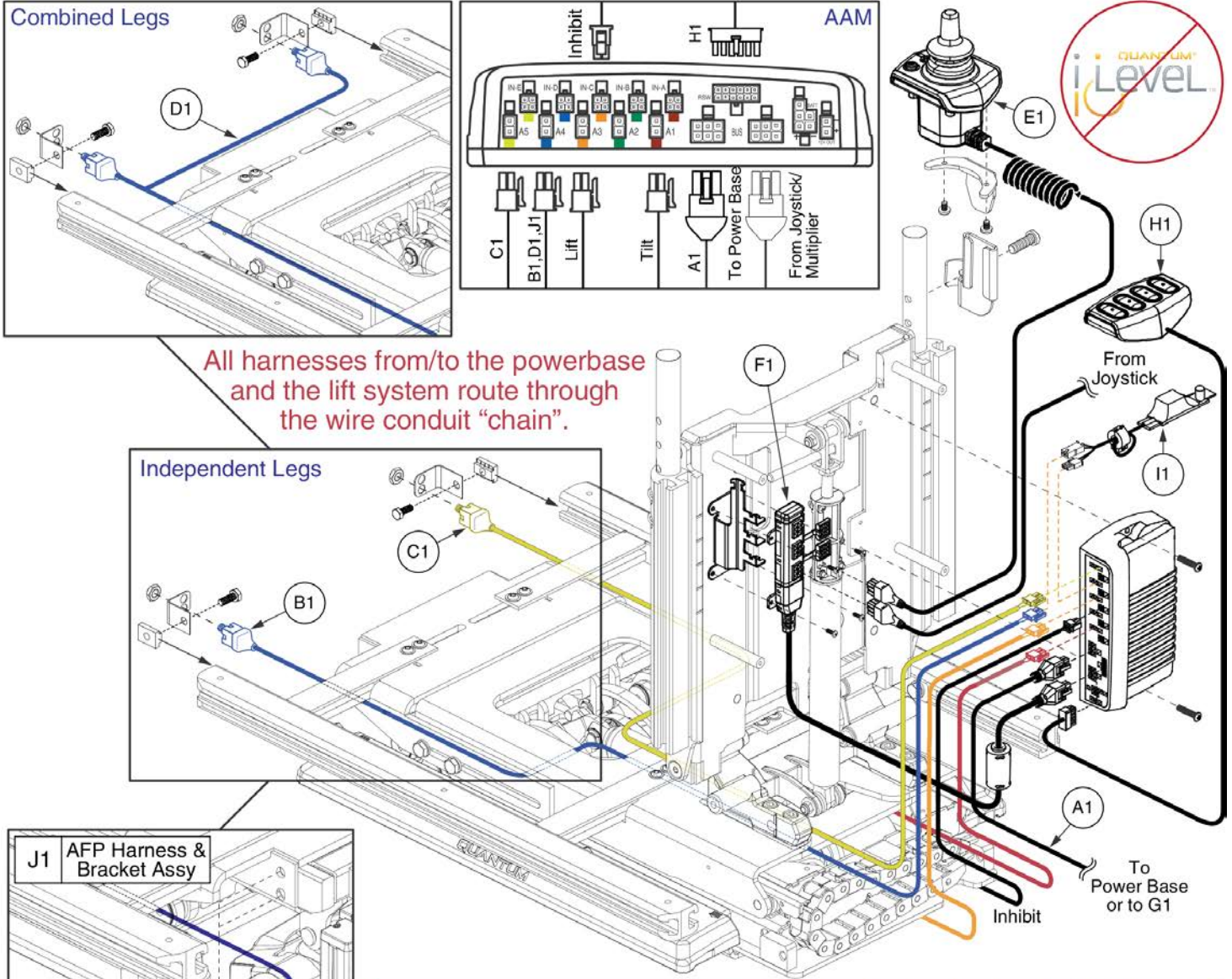


TB3 Q-Logic 2 REAC Lift & Tilt, NON I-Level AAM Assy's		
A1	ELEASMB5632	Lift & Tilt
		Lift & Tilt, 4-Button Control
		Lift & Tilt w/ Attendant Control
		Lift & Tilt w/ Attendant Control, 4-Button Control
B1	ELEASMB5633	Lift & Tilt w/ Independent Legs
		Lift & Tilt w/ Independent Legs & Attendant Control
C1	ELEASMB5634	Lift & Tilt w/ Combined Legs
		Lift & Tilt w/ Combined Legs, 4-Button Control
		Lift & Tilt w/ Combined Legs & Attendant Control
		Lift & Tilt w/ Combined Legs & Att. Control, 4-Button Control
D1	ELEASMB5635	Lift & Tilt w/ AFP
		Lift & Tilt w/ AFP, 4-Button Control
		Lift & Tilt w/ AFP & Attendant Control
		Lift & Tilt w/ AFP & Attendant Control, 4-Button Control

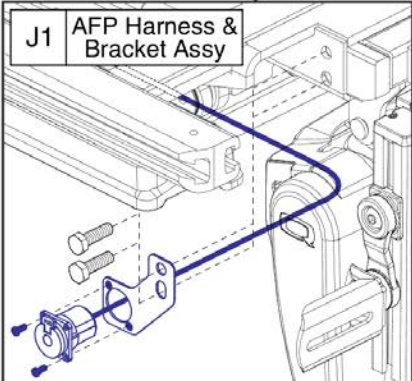


Item	Part No.	Name	Qty
A1	ELEASMB5632	AAM,TILT/ELEVATE,(CONFIG. #24)	1
B1	ELEASMB5633	AAM, TILT/ELEVATE, INDEPENDENT LEGS (CONFIG. #25)	1
C1	ELEASMB5634	AAM,LIFT & TILT W/COMBINED LEGS,(CONFIG.#26)	1
D1	ELEASMB5635	AAM,LIFT & TILT W/AFP,(CONFIG.#27)	1

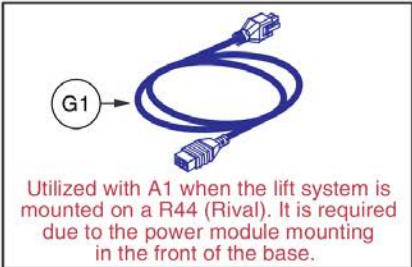
Q-Logic 2 Lift & Tilt, REAC Lift / NON I-Level



All harnesses from/to the powerbase and the lift system route through the wire conduit "chain".



This AFP Harness & Bracket Assy, J1, replaces all previous versions. The Assy must be selected for proper retrofit.

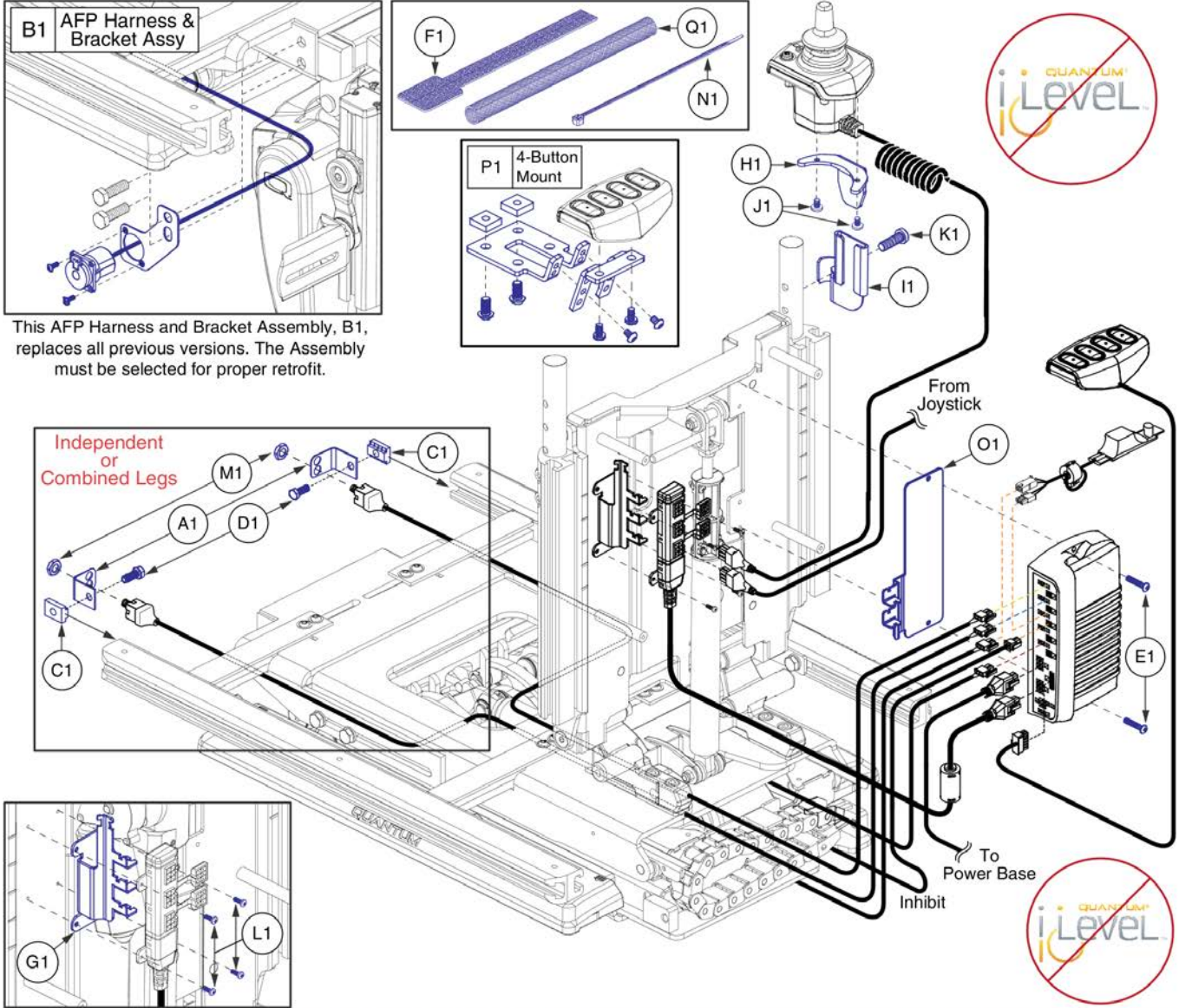


Utilized with A1 when the lift system is mounted on a R44 (Rival). It is required due to the power module mounting in the front of the base.

Lift & Tilt &	Master Assy	A1	B1	C1	D1	E1	F1	G1	H1	I1	J1
Lift & Tilt Only	ELE130772	1						1		1	
Lift & Tilt Only, 4-Button	ELE135179	1						1	1	1	
Attendant Control	ELE130782	1				1	1	1		1	
Attendant Control, 4-Button	ELE135182	1				1	1	1	1	1	
Independent Legs	ELE130783	1	1	1				1		1	
Ind. Legs w/Att. Control	ELE130784	1	1	1		1	1	1		1	
Combined Legs	ELE130785	1			1			1		1	
Combined Legs, 4-Button	ELE135185	1			1			1	1	1	
Comb. Legs w/Att. Control	ELE130786	1			1	1	1	1		1	
Comb. Legs w/Att. Control, 4-Button	ELE135187	1			1	1	1	1	1	1	
AFP	ELE130787	1						1		1	1
AFP, 4-Button	ELE135188	1						1	1	1	1
AFP w/Att. Control	ELE130788	1				1	1	1		1	1
AFP w/Att. Control, 4-Button	ELE135189	1				1	1	1	1	1	1

Item	Part No.	Name	Qty
A1	DWR1111H047	HARNESS,BUS CABLE,1.0 METER,FEMALE/FEMALE,H-1111-047,(CURTIS:17881302)	1
B1	DWR1265H006	ELECTRONIC,HARNESS,INDEPENDENT ELR,CURTIS,TRU-BALANCE TILT 2,LEFT,H-1265-006	1
C1	DWR1265H007	ELECTRONIC,HARNESS,INDEPENDENT ELR,CURTIS,TRU-BALANCE TILT 2,RIGHT,H-1265-007	1
D1	DWR1265H005	ELECTRONIC,HARNESS,COMBINED ELR,CURTIS,TRU-BALANCE TILT 2,H-1265-005	1
E1	CTL137822	CONTROLLER,ATTENDANT CONTROL MODULE 2.0,Q-LOGIC 2	1
F1	DWR1111H053	HARNESS,MULTIPLIER BOX,0.3 METER,H-1111-053,(CURTIS: 17869700)	1
G1	DWR1111H065	ELECTRONIC,HARNESS,BUS EXTENSION CABLE,CURTIS,0.410 METER,MALE/FEMALE,H-1111-065,(CURTIS: 17881303)	1
H1	CTL123218	CONTROLLER,4-FUNCTION PUSH BUTTON,(CURTIS: 17682700)	1
I1	ELE153301	ELECTRICAL,ASSEMBLY,REAC LIFT BACK DRIVE PCBA & INPUT/OUTPUT HARNESS	1
J1	ELE1704823	ELECTRONIC,ASSY,AFP W/MOUNTING BRACKET & HARDWARE,TB3,VERSION 2	1

Q-Logic 2 Lift & Tilt, REAC Lift / NON I-Level



This AFP Harness and Bracket Assembly, B1, replaces all previous versions. The Assembly must be selected for proper retrofit.

Lift & Tilt &	Master Assy	A1	B1	C1	D1	E1	F1	G1	H1	I1	J1	K1	L1	M1	N1	O1	P1	Q1
Lift & Tilt	ELE130772					2	1								5	1		1
Lift & Tilt, 4-Button	ELE135179					2	2								5	1	1	1
Attendant Control	ELE130782					2	1	1	1	1	2	1	4		5	1		1
Attendant Control, 4-Button	ELE135182					2	2	1	1	1	2	1	4		5	1	1	1
Independent Legs	ELE130783	2		2	2	2	1							2	5	1		1
Ind. Legs w/Att. Control	ELE130784	2		2	2	2	1	1	1	1	2	1	4	2	5	1		1
Combined Legs	ELE130785	2		2	2	2	1							2	5	1		1
Combined Legs, 4-Button	ELE135185	2		2	2	2	4							2	5	1	1	1
Comb. Legs w/Att. Control	ELE130786	2		2	2	2	1	1	1	1	2	1	4	2	5	1		1
Comb. Legs w/Att. Control, 4-Button	ELE135187	2		2	2	2	2	1	1	1	2	1	4	2	5	1	1	1
AFP	ELE130787		1			2	1								5	1		1
AFP, 4-Button	ELE135188		1			2	2								5	1	1	1
AFP w/Att Control	ELE130788		1			2	1	1	1	1	2	1	4		5	1		1
AFP w/Att Control, 4-Button	ELE135189		1			2	2	1	1	1	2	1	4		5	1	1	1

Item	Part No.	Name	Qty
A1	DWR1303B026	ELECTRICAL CONNECTION BRACKET,ARTICULATING LEGREST	1
B1	ELE1704823	ELECTRONIC,ASSY,AFP W/MOUNTING BRACKET & HARDWARE,TB3,VERSION 2	1
C1	NUT8120005	NUT,T-SLOT,BLACK,M8-1.25	1
D1	SCRHHCS1382	SCREW,HHCS,BLACK ZINC CHROMATE,M8-1.25 X 12MM,10.9	1
E1	SCRPPH1061	SCREW, PPH,ZINC,M4 X .7T X 20MM	1
F1	VELDBLS1001	REUSABLE FASTENER,1/2"W X 8"L,HOOK & LOOP	1
G1	MEC120550	BRACKET,STRAIN RELIEF,MULTIPLEX	1
H1	DWR1010D298	MOUNTING BRACKET,ATTENDANT BRACKET,CURTIS STAND ALONE JOYSTICK,D-1010-298	1
I1	MEC122827	ATTENDANT CONTROL MOUNT CATCH PLATE	1
J1	SCRPPH1165	SCREW,PPH,BLACK ZINC,M4-.7 X 8MM,P-TYPE	1
K1	HDW124866	SCREW, LOW SOCKET HEAD, M8X1.25 X 25, DIN 7984, CL 10.9, BZ, PVTP	1
L1	SCRPPH1276	SCREW,PPH,BLACK ZINC,M3-.5 X 8MM	1
M1	NUTJAM1032	NUT,JAM,THIN,STAINLESS STEEL,3/8-32	1
N1	PLSTIE1004	TIE WRAP,BLACK,8"	1
O1	MEC138556	BRACKET,STRAIN RELIEF,AAM	1
P1	MEC136981	MOUNTING BRACKET,ASSY,4-FUNCTION PUSH BUTTON,W/EXTENSION & MOUNTING HARDWARE,TRU-BALANCE 3	1
Q1	ELE146865	ELECTRONIC,SELF WRAPPING,5/8"D,10"L,SPLIT TUBULAR WOVEN SLEEVE,TECHFLEX(F6W0.63BK10)	1

Q-Logic 2 Lift, Tilt, & Recline, REAC Lift / NON I-Level

TB3 Q-Logic 2 REAC Lift, Tilt, & Recline, NON I-Level Master Assy's		
A1	ELE130806	Lift, Tilt, & Recline
B1	ELE135221	Lift, Tilt, & Recline 4-Button Control
C1	ELE130805	Lift, Tilt, & Recline w/ Attendant Control
D1	ELE135222	Lift, Tilt, & Recline w/ Attendant Control, 4-Button Control
E1	ELE130807	Lift, Tilt, & Recline w/ Independant Legs
F1	ELE130808	Lift, Tilt, & Recline w/ Independant Legs & Attendant Control
G1	ELE130809	Lift, Tilt, & Recline w/ Combined Legs
H1	ELE135223	Lift, Tilt, & Recline w/ Combined Legs, 4-Button Control
I1	ELE130810	Lift, Tilt, & Recline w/ Combined Legs & Attendant Control
J1	ELE135224	Lift, Tilt, & Recline w/ Comb. Legs & Att. Control, 4-Button Control
K1	ELE130811	Lift, Tilt, & Recline w/ AFP
L1	ELE135225	Lift, Tilt, & Recline w/ AFP, 4-Button Control
M1	ELE130812	Lift, Tilt, & Recline w/ AFP & Attendant Control
N1	ELE135226	Lift, Tilt, & Recline w/ AFP & Att. Control, 4-Button Control

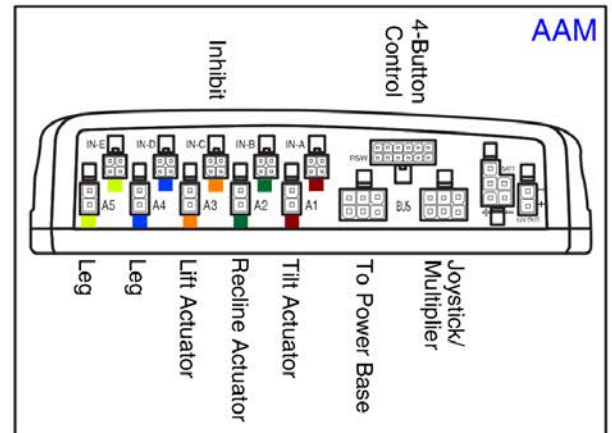
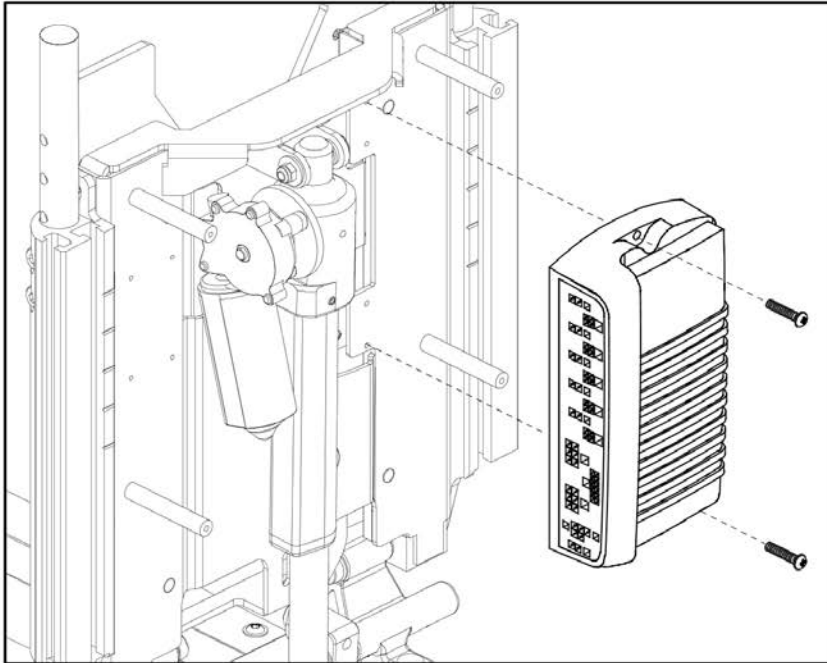


The NON I-Level master assemblies include harnesses, seating module, & mounting hardware for the various configurations.



Item	Part No.	Name	Qty
A1	ELE130806	ELECTRONIC,CURTIS/AAM, LIFT TILT & RECLINE (CONFIG.#34)	1
B1	ELE135221	LIFT,TILT, & RECLINE,4-BUTTON,(CONFIG.#34)	1
C1	ELE130805	LIFT,TILT, & RECLINE,ATTENDANT CONTROL,(CONFIG.34)	1
D1	ELE135222	LIFT,TILT, & RECLINE,ATTENDANT CONTROL,4-BUTTON,(CONFIG.34)	1
E1	ELE130807	ELECTRONIC,ASSY,CURTIS/AAM, LIFT, TILT & RECLINE,INDEPENDENT LEGS (CONFIG. # 35)	1
F1	ELE130808	LIFT,TILT, & RECLINE W/INDEPENDENT LEGS,ATTENDANT CONTROL,(CONFIG.35)	1
G1	ELE130809	LIFT,TILT, & RECLINE W/COMBINED LEGS,(CONFIG.36)	1
H1	ELE135223	LIFT,TILT, & RECLINE W/COMBINED LEGS,4-BUTTON,(CONFIG.36)	1
I1	ELE130810	LIFT,TILT, & RECLINE W/COMBINED LEGS,ATTENDANT CONTROL,(CONFIG.36)	1
J1	ELE135224	LIFT,TILT, & RECLINE W/COMBINED LEGS,ATTENDANT CONTROL,4-BUTTON,(CONFIG.36)	1
K1	ELE130811	LIFT,TILT, & RECLINE W/AFP,(CONFIG.37)	1
L1	ELE135225	LIFT,TILT, & RECLINE W/AFP,4-BUTTON,(CONFIG.37)	1
M1	ELE130812	LIFT,TILT, & RECLINE W/AFP,ATTENDANT CONTROL,(CONFIG.37)	1
N1	ELE135226	LIFT,TILT, & RECLINE W/AFP,ATTENDANT CONTROL,4-BUTTON,(CONFIG.37)	1

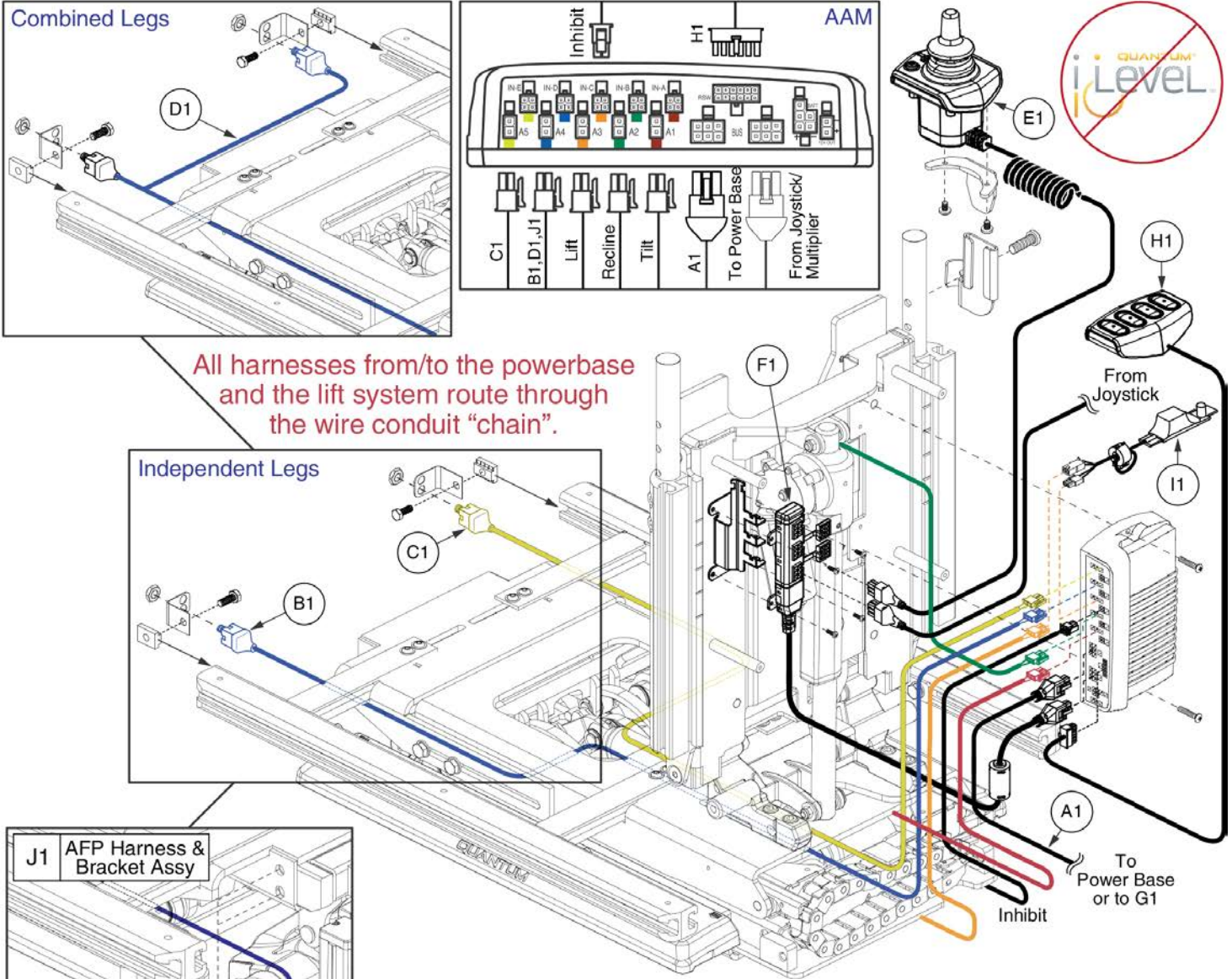
Q-Logic 2 Lift, Tilt, & Recline, REAC Lift / NON I-Level



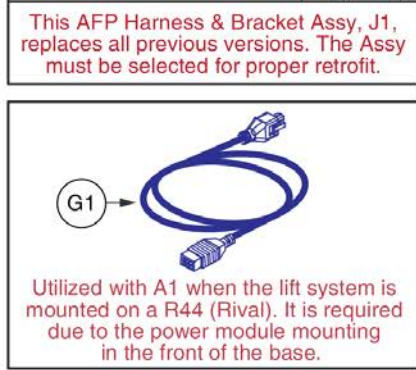
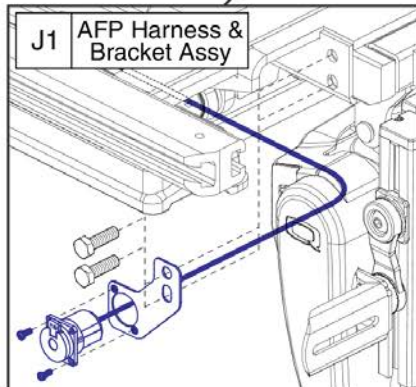
TB3 Q-Logic 2 REAC Lift, Tilt, & Recline, NON I-Level AAM Assy's		
A1	ELEASMB5640	Lift, Tilt, & Recline
		Lift, Tilt, & Recline, 4-Button Control
		Lift, Tilt, & Recline w/ Attendant Control
		Lift, Tilt, & Recline w/ Attendant Control , 4-Button Control
B1	ELEASMB5641	Lift, Tilt, & Recline w/ Independent Legs
		Lift, Tilt, & Recline w/ Independent Legs & Attendant Control
C1	ELEASMB5642	Lift, Tilt, & Recline w/ Combined Legs
		Lift, Tilt, & Recline w/ Combined Legs, 4-Button Control
		Lift, Tilt, & Recline w/ Combined Legs & Attendant Control
D1	ELEASMB5643	Lift, Tilt, & Recline w/ AFP
		Lift, Tilt, & Recline w/ AFP, 4-Button Control
		Lift, Tilt, & Recline w/ AFP & Attendant Control
		Lift, Tilt, & Recline w/ AFP & Attendant Control , 4-Button Control

Item	Part No.	Name	Qty
A1	ELEASMB5640	AAM, TILT/RECLINE/ELEVATE (CONFIG. #34)	1
B1	ELEASMB5641	AAM, TILT/RECLINE/ELEVATE, INDEPENDENT LEGS (CONFIG. #35)	1
C1	ELEASMB5642	AAM,LIFT,TILT, & RECLINE W/COMBINED LEGS,(CONFIG.#36)	1
D1	ELEASMB5643	AAM,LIFT,TILT, & RECLINE W/AFP,(CONFIG.#37)	1

Q-Logic 2 Lift, Tilt, & Recline, REAC Lift / NON I-Level



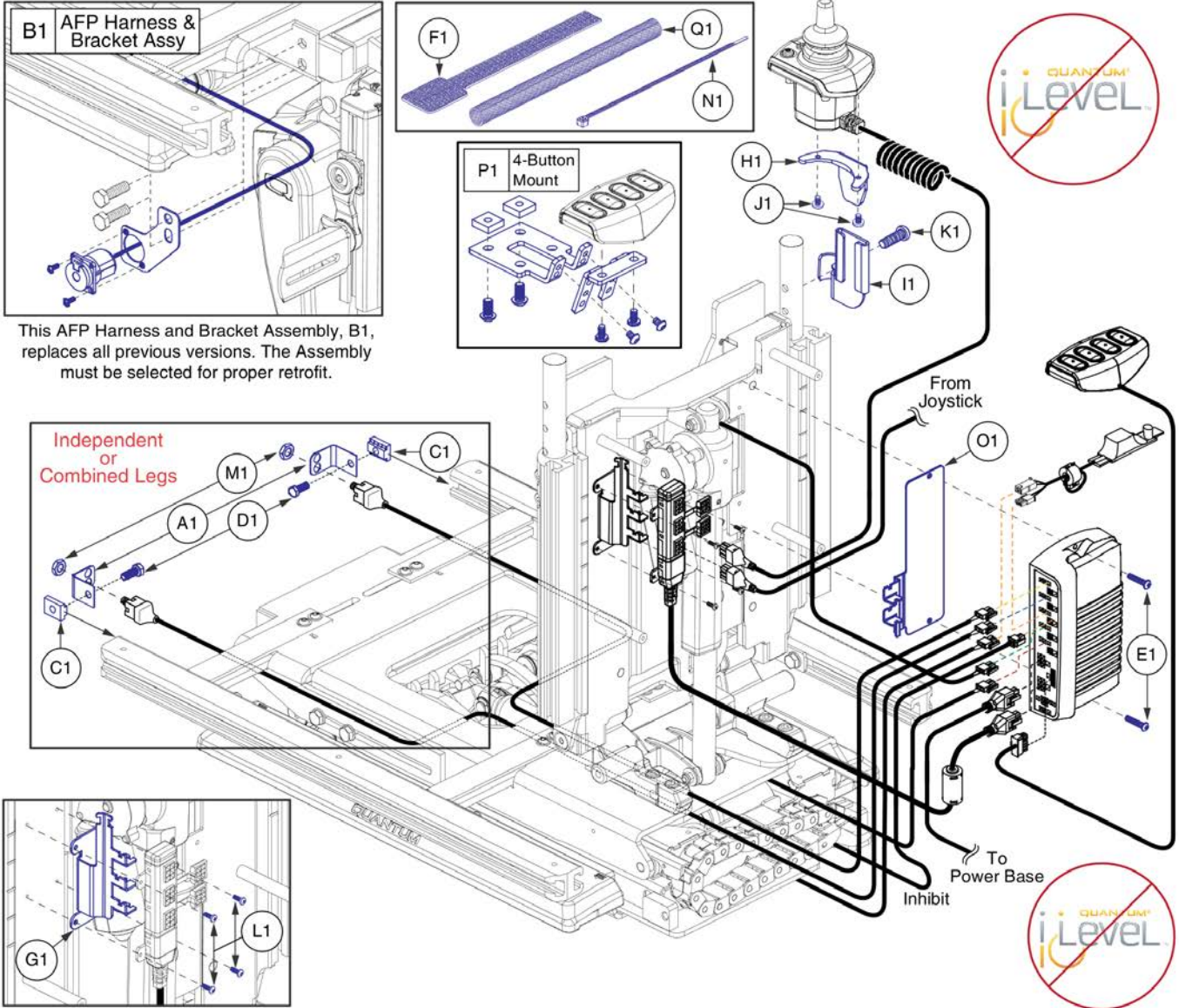
All harnesses from/to the powerbase and the lift system route through the wire conduit "chain".



Lift, Tilt, & Recline &	Master Assy	A1	B1	C1	D1	E1	F1	G1	H1	I1	J1
Lift, Tilt, & Recline Only	ELE130806	1						1		1	
Lift, Tilt, & Recline Only, 4-Button	ELE135221	1						1	1	1	
Attendant Control	ELE130805	1				1	1	1		1	
Attendant Control, 4-Button	ELE135222	1				1	1	1	1	1	
Independent Legs	ELE130807	1	1	1				1		1	
Ind. Legs w/Att. Control	ELE130808	1	1	1		1	1	1		1	
Combined Legs	ELE130809	1			1			1		1	
Combined Legs, 4-Button	ELE135223	1			1			1	1	1	
Comb. Legs w/Att. Control	ELE130810	1			1	1	1	1		1	
Comb. Legs w/Att. Control, 4-Button	ELE135224	1			1	1	1	1	1	1	
AFP	ELE130811	1						1		1	1
AFP, 4-Button	ELE135225	1						1	1	1	1
AFP w/Att. Control	ELE130812	1				1	1	1		1	1
AFP w/Att. Control, 4-Button	ELE135226	1				1	1	1	1	1	1

Item	Part No.	Name	Qty
A1	DWR1111H047	HARNESS,BUS CABLE,1.0 METER,FEMALE/FEMALE,H-1111-047,(CURTIS:17881302)	1
B1	DWR1265H006	ELECTRONIC,HARNESS,INDEPENDENT ELR,CURTIS,TRU-BALANCE TILT 2,LEFT,H-1265-006	1
C1	DWR1265H007	ELECTRONIC,HARNESS,INDEPENDENT ELR,CURTIS,TRU-BALANCE TILT 2,RIGHT,H-1265-007	1
D1	DWR1265H005	ELECTRONIC,HARNESS,COMBINED ELR,CURTIS,TRU-BALANCE TILT 2,H-1265-005	1
E1	CTL137822	CONTROLLER,ATTENDANT CONTROL MODULE 2.0,Q-LOGIC 2	1
F1	DWR1111H053	HARNESS,MULTIPLIER BOX,0.3 METER,H-1111-053,(CURTIS: 17869700)	1
G1	DWR1111H065	ELECTRONIC,HARNESS,BUS EXTENSION CABLE,CURTIS,0.410 METER,MALE/FEMALE,H-1111-065,(CURTIS: 17881303)	1
H1	CTL123218	CONTROLLER,4-FUNCTION PUSH BUTTON,(CURTIS: 17682700)	1
I1	ELE153301	ELECTRICAL,ASSEMBLY,REAC LIFT BACK DRIVE PCBA & INPUT/OUTPUT HARNESS	1
J1	ELE1704823	ELECTRONIC,ASSY,AFP W/MOUNTING BRACKET & HARDWARE,TB3,VERSION 2	1

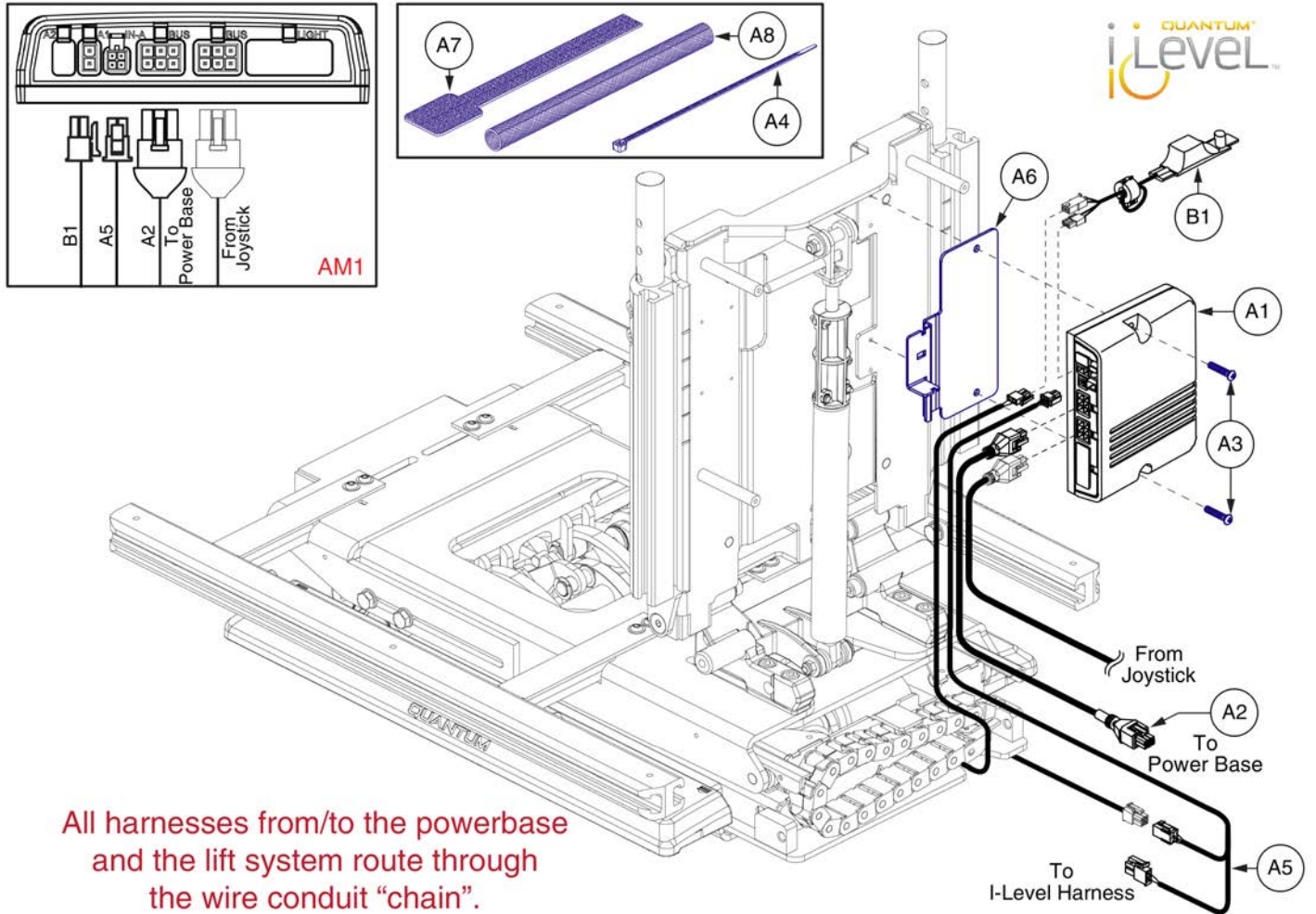
Q-Logic 2 Lift, Tilt, & Recline, REAC Lift / NON I-Level



Lift, Tilt, & Recline &	Master Assy	A1	B1	C1	D1	E1	F1	G1	H1	I1	J1	K1	L1	M1	N1	O1	P1	Q1
Lift, Tilt, & Recline	ELE130806					2	2								5	1		1
Lift, Tilt, & Recline, 4-Button	ELE135221					2	2								5	1	1	1
Attendant Control	ELE130805					2	2	1	1	1	2	1	4		5	1		1
Attendant Control, 4-Button	ELE135222					2	2	1	1	1	2	1	4		5	1	1	1
Independent Legs	ELE130807	2		2	2	2	2							2	5	1		1
Ind. Legs w/Att. Control	ELE130808	2		2	2	2	2	1	1	1	2	1	4	2	5	1		1
Combined Legs	ELE130809	2		2	2	2	2							2	5	1		1
Combined Legs, 4-Button	ELE135223	2		2	2	2	2							2	5	1	1	1
Comb. Legs w/Att. Control	ELE130810	2		2	2	2	2	1	1	1	2	1	4	2	5	1		1
Comb. Legs w/Att. Control, 4-Button	ELE135224	2		2	2	2	2	1	1	1	2	1	4	2	5	1	1	1
AFP	ELE130811		1			2	1								5	1		1
AFP, 4-Button	ELE135225		1			2	2								5	1	1	1
AFP w/Att Control	ELE130812		1			2	1	1	1	1	2	1	4		5	1		1
AFP w/Att Control, 4-Button	ELE135226		1			2	2	1	1	1	2	1	4		5	1	1	1

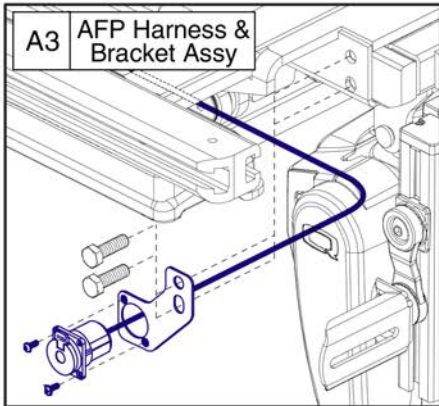
Item	Part No.	Name	Qty
A1	DWR1303B026	ELECTRICAL CONNECTION BRACKET,ARTICULATING LEGREST	1
B1	ELE1704823	ELECTRONIC,ASSY,AFP W/MOUNTING BRACKET & HARDWARE,TB3,VERSION 2	1
C1	NUT8120005	NUT,T-SLOT,BLACK,M8-1.25	1
D1	SCRHHCS1382	SCREW,HHCS,BLACK ZINC CHROMATE,M8-1.25 X 12MM,10.9	1
E1	SCRPPH1061	SCREW, PPH,ZINC,M4 X .7T X 20MM	1
F1	VELDBLS1001	REUSABLE FASTENER,1/2"W X 8"L,HOOK & LOOP	1
G1	MEC120550	BRACKET,STRAIN RELIEF,MULTIPLEX	1
H1	DWR1010D298	MOUNTING BRACKET,ATTENDANT BRACKET,CURTIS STAND ALONE JOYSTICK,D-1010-298	1
I1	MEC122827	ATTENDANT CONTROL MOUNT CATCH PLATE	1
J1	SCRPPH1165	SCREW,PPH,BLACK ZINC,M4-.7 X 8MM,P-TYPE	1
K1	HDW124866	SCREW, LOW SOCKET HEAD, M8X1.25 X 25, DIN 7984, CL 10.9, BZ, PVTP	1
L1	SCRPPH1276	SCREW,PPH,BLACK ZINC,M3-.5 X 8MM	1
M1	NUTJAM1032	NUT,JAM,THIN,STAINLESS STEEL,3/8-32	1
N1	PLSTIE1004	TIE WRAP,BLACK,8"	1
O1	MEC138556	BRACKET,STRAIN RELIEF,AAM	1
P1	MEC136981	MOUNTING BRACKET,ASSY,4-FUNCTION PUSH BUTTON,W/EXTENSION & MOUNTING HARDWARE,TRU-BALANCE 3	1
Q1	ELE146865	ELECTRONIC,SELF WRAPPING,5/8"D,10"L,SPLIT TUBULAR WOVEN SLEEVE,TECHFLEX(F6W0.63BK10)	1

I-Level

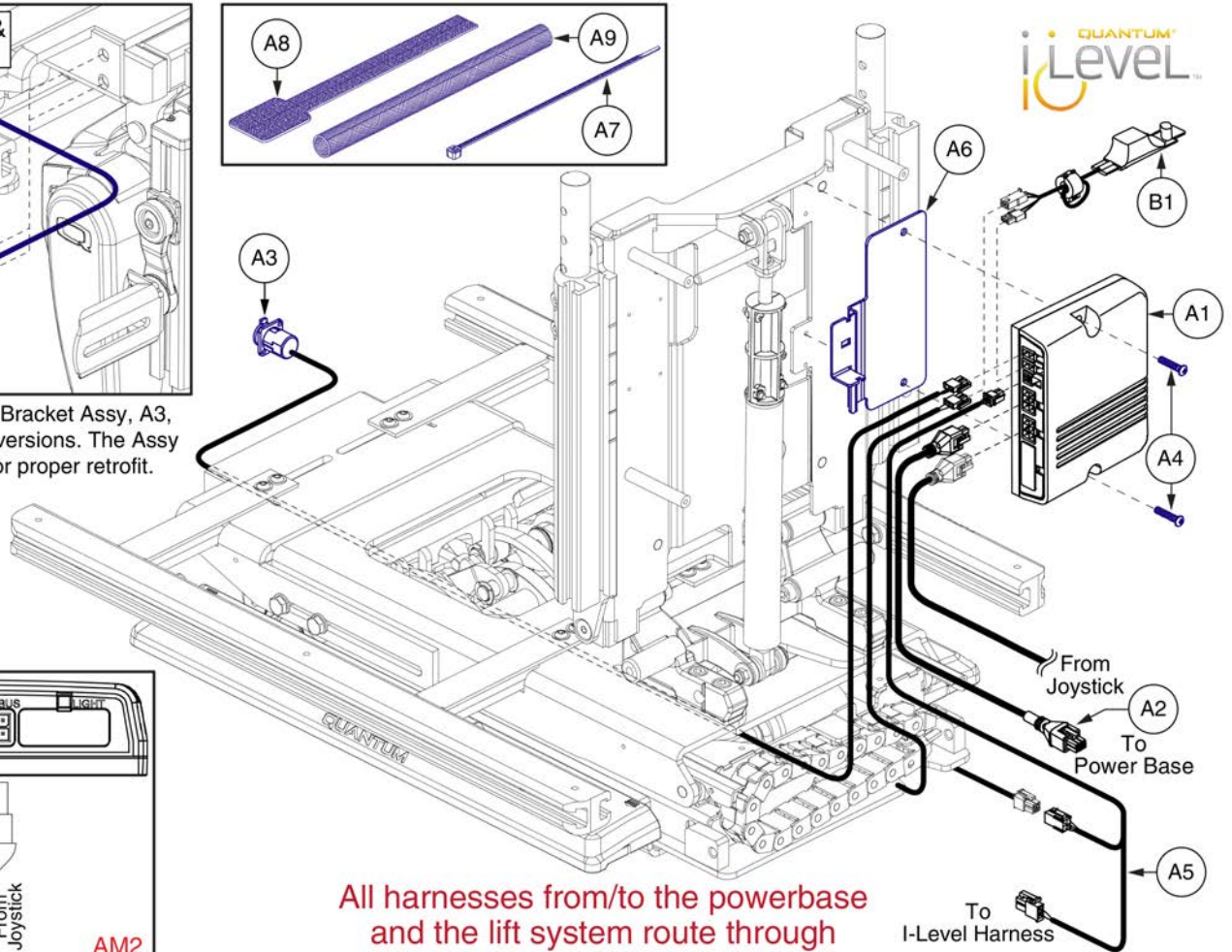
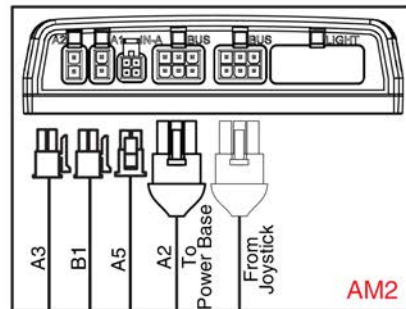
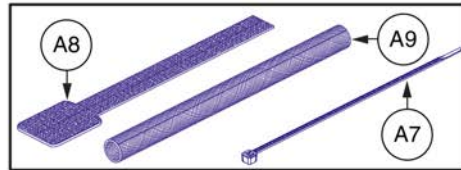


Item	Part No.	Name	Qty
A1 - B1	ELE151798	ELECTRONIC,ASSY,NE PLUS/Q-LOGIC TRU-BALANCE 3 POWER ADJUSTABLE SEAT LIFT,(CONFIGURATION # 04)	1
A1	ELE151799	ELECTRONIC,ASSY,AM1 MODULE,W/ PROGRAMMING,TRUBALANCE,ELEVATE(CONFIGURATION # 04)	1
A2	DWR1111H047	HARNESS,BUS CABLE,1.0 METER,FEMALE/FEMALE,H-1111-047,(CURTIS:17881302)	1
A3	SCRPPH1061	SCREW, PPH,ZINC,M4 X .7T X 20MM	2
A4	PLSTIE1004	TIE WRAP,BLACK,8"	5
A5	ELE145770	HARNESS,ILEVEL SEAT INTERMEDIATE HARNESS	1
A6	MEC138637	BRACKET,STRAIN RELIEF,AM1	1
A7	VELDBLS1001	REUSABLE FASTENER,1/2"W X 8"L,HOOK & LOOP	1
A8	ELE146865	ELECTRONIC,SELF WRAPPING,5/8"D,10"L,SPLIT TUBULAR WOVEN SLEEVE,TECHFLEX(F6W0.63BK10)	1
B1	ELE153301	ELECTRICAL,ASSEMBLY,REAC LIFT BACK DRIVE PCBA & INPUT/OUTPUT HARNESS	1

I-Level



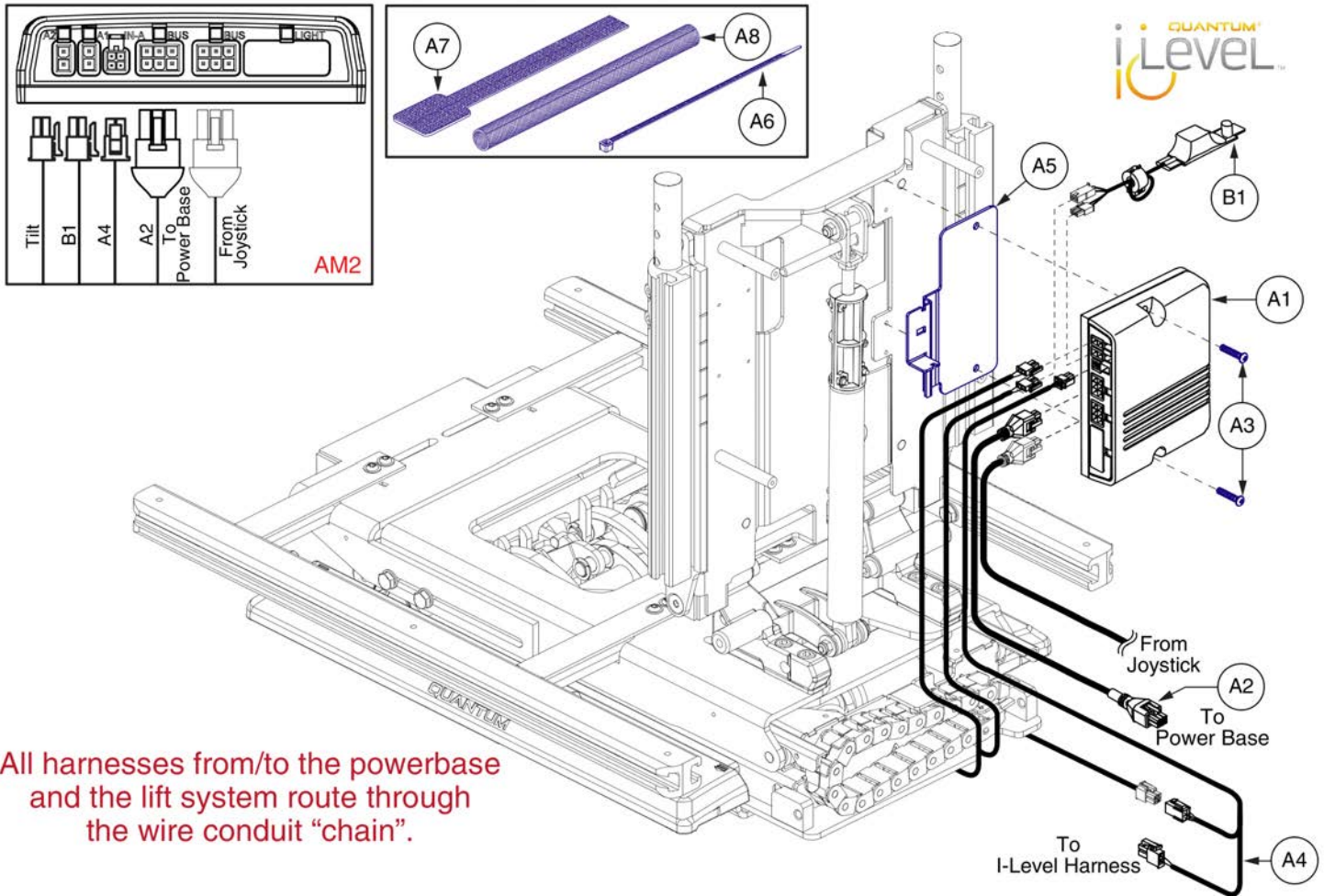
This AFP Harness & Bracket Assy, A3, replaces all previous versions. The Assy must be selected for proper retrofit.



All harnesses from/to the powerbase and the lift system route through the wire conduit "chain".

Item	Part No.	Name	Qty
A1 - B1	ELE151800	ELECTRONIC,ASSY,NE PLUS,TRU-BALANCE 3 POWER ADJUSTABLE SEAT LIFT/POWER ARTICULATING FOOT PLATFORM,(CONFIGURATION # 07)	1
A1	ELE151801	ELECTRONIC,ASSY,NE+ AM2 MODULE,W/PROGRAMMING,TRUBALANCE,POWER FOOT PLATFORM,(CONFIGURATION # 07)	1
A2	DWR1111H047	HARNESS,BUS CABLE,1.0 METER,FEMALE/FEMALE,H-1111-047,(CURTIS:17881302)	1
A3	ELE1704823	ELECTRONIC,ASSY,AFP W/MOUNTING BRACKET & HARDWARE,TB3,VERSION 2	1
A4	SCRPPH1061	SCREW, PPH,ZINC,M4 X .7T X 20MM	2
A5	ELE145770	HARNESS,ILEVEL SEAT INTERMEDIATE HARNESS	1
A6	MEC138637	BRACKET,STRAIN RELIEF,AM1	1
A7	PLSTIE1004	TIE WRAP,BLACK,8"	5
A8	VELDBLS1001	REUSABLE FASTENER,1/2"W X 8"L,HOOK & LOOP	1
A9	ELE146865	ELECTRONIC,SELF WRAPPING,5/8"D,10"L,SPLIT TUBULAR WOVEN SLEEVE,TECHFLEX(F6W0.63BK10)	1
B1	ELE153301	ELECTRICAL,ASSEMBLY,REAC LIFT BACK DRIVE PCBA & INPUT/OUTPUT HARNESS	1

I-Level

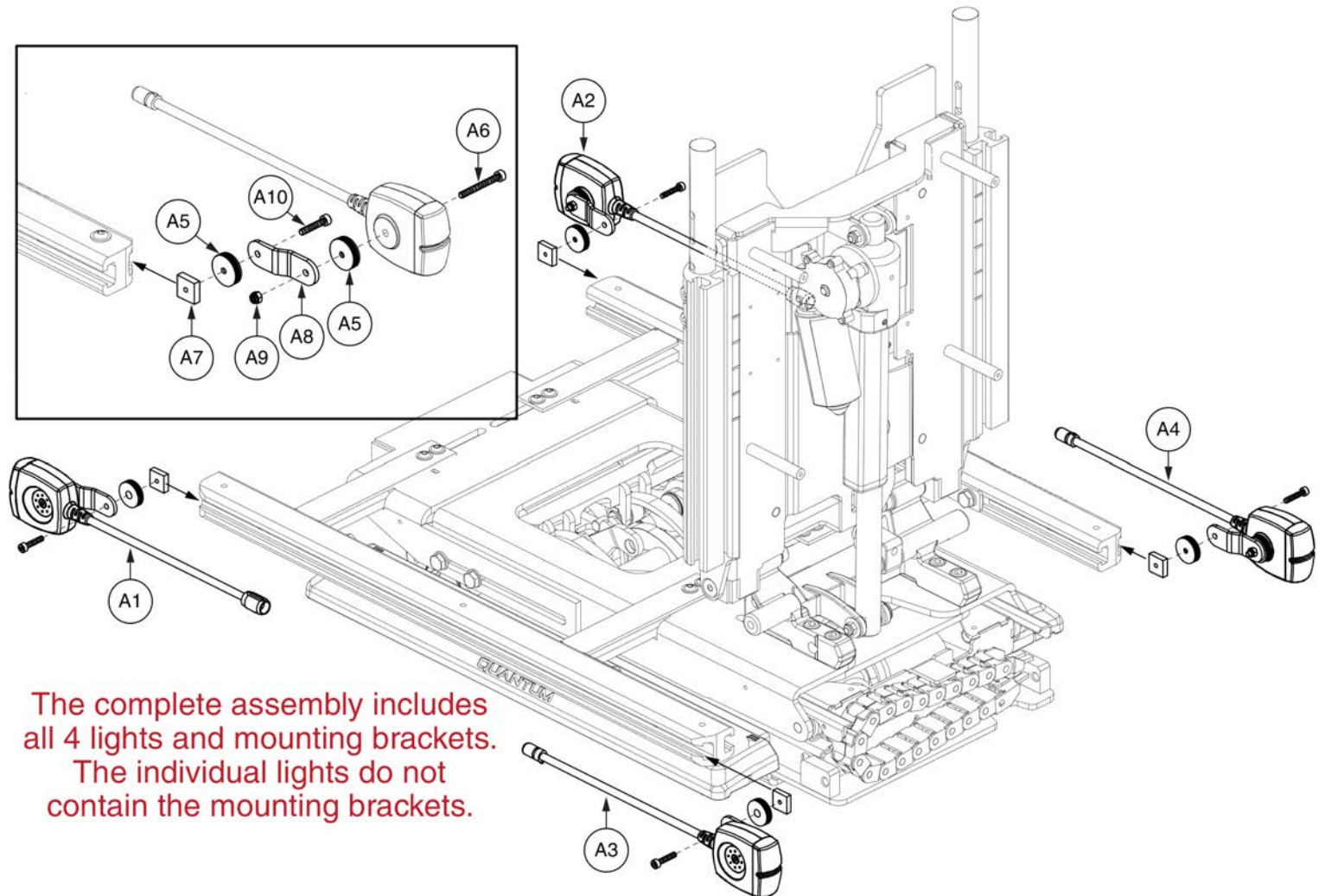


All harnesses from/to the powerbase and the lift system route through the wire conduit "chain".

Item	Part No.	Name	Qty
A1 - B1	ELE151802	ELECTRONIC,ASSY,NE PLUS,TRU-BALANCE 3 POWER ADJUSTABLE SEAT LIFT & TILT,THRU JOYSTICK,(CONFIGURATION # 24)	1
A1	ELE151803	ELECTRONIC,ASSY,NE+ AM2 MODULE,W/PROGRAMMING,TRUBALANCE,TILT/ELEVATE,(CONFIGURATION # 24)	1
A2	DWR1111H047	HARNESS,BUS CABLE,1.0 METER,FEMALE/FEMALE,H-1111-047,(CURTIS:17881302)	1
A3	SCRPPH1061	SCREW, PPH,ZINC,M4 X .7T X 20MM	2
A4	ELE145770	HARNESS,ILEVEL SEAT INTERMEDIATE HARNESS	1
A5	MEC138637	BRACKET,STRAIN RELIEF,AM1	1
A6	PLSTIE1004	TIE WRAP,BLACK,8"	5
A7	VELDBLS1001	REUSABLE FASTENER,1/2"W X 8"L,HOOK & LOOP	1
A8	ELE146865	ELECTRONIC,SELF WRAPPING,5/8"D,10"L,SPLIT TUBULAR WOVEN SLEEVE,TECHFLEX(F6W0.63BK10)	1
B1	ELE153301	ELECTRICAL,ASSEMBLY,REAC LIFT BACK DRIVE PCBA & INPUT/OUTPUT HARNESS	1

Item	Part No.	Name	Qty
A1 - B1	ELE151804	ELECTRONIC,ASSY,NE PLUS,TRU-BALANCE 3 POWER ADJUSTABLE SEAT LIFT & RECLINE,(CONFIGURATION # 14)	1
A1	ELE151805	ELECTRONIC,ASSY,NE+ AM2 MODULE,W/ PROGRAMMING,TRUBALANCE,RECLINE/ELEVATE,(CONFIGURATION # 14)	1
A2	DWR1111H047	HARNESS,BUS CABLE,1.0 METER,FEMALE/FEMALE,H-1111-047,(CURTIS:17881302)	1
A3	SCRPPH1061	SCREW, PPH,ZINC,M4 X .7T X 20MM	2
A4	ELE145770	HARNESS,ILEVEL SEAT INTERMEDIATE HARNESS	1
A5	MEC138637	BRACKET,STRAIN RELIEF,AM1	1
A6	PLSTIE1004	TIE WRAP,BLACK,8"	5
A7	VELDBLS1001	REUSABLE FASTENER,1/2"W X 8"L,HOOK & LOOP	1
A8	ELE146865	ELECTRONIC,SELF WRAPPING,5/8"D,10"L,SPLIT TUBULAR WOVEN SLEEVE,TECHFLEX(F6W0.63BK10)	1
B1	ELE153301	ELECTRICAL,ASSEMBLY,REAC LIFT BACK DRIVE PCBA & INPUT/OUTPUT HARNESS	1

I-Level



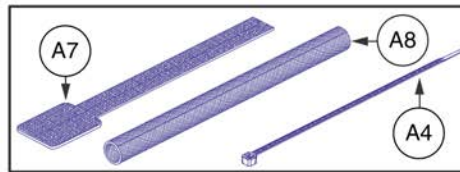
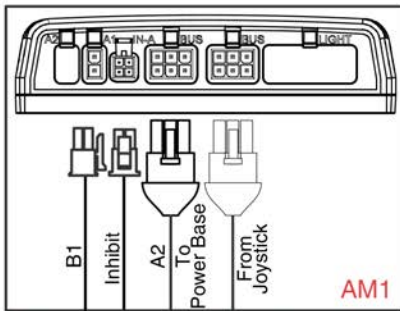
The complete assembly includes all 4 lights and mounting brackets. The individual lights do not contain the mounting brackets.

Standard Config. LED Light Assy, REAC Lift

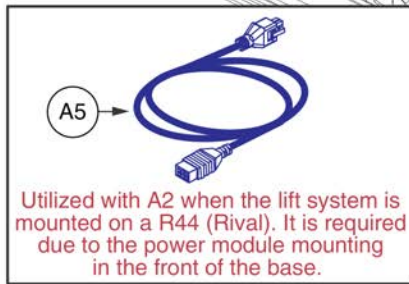
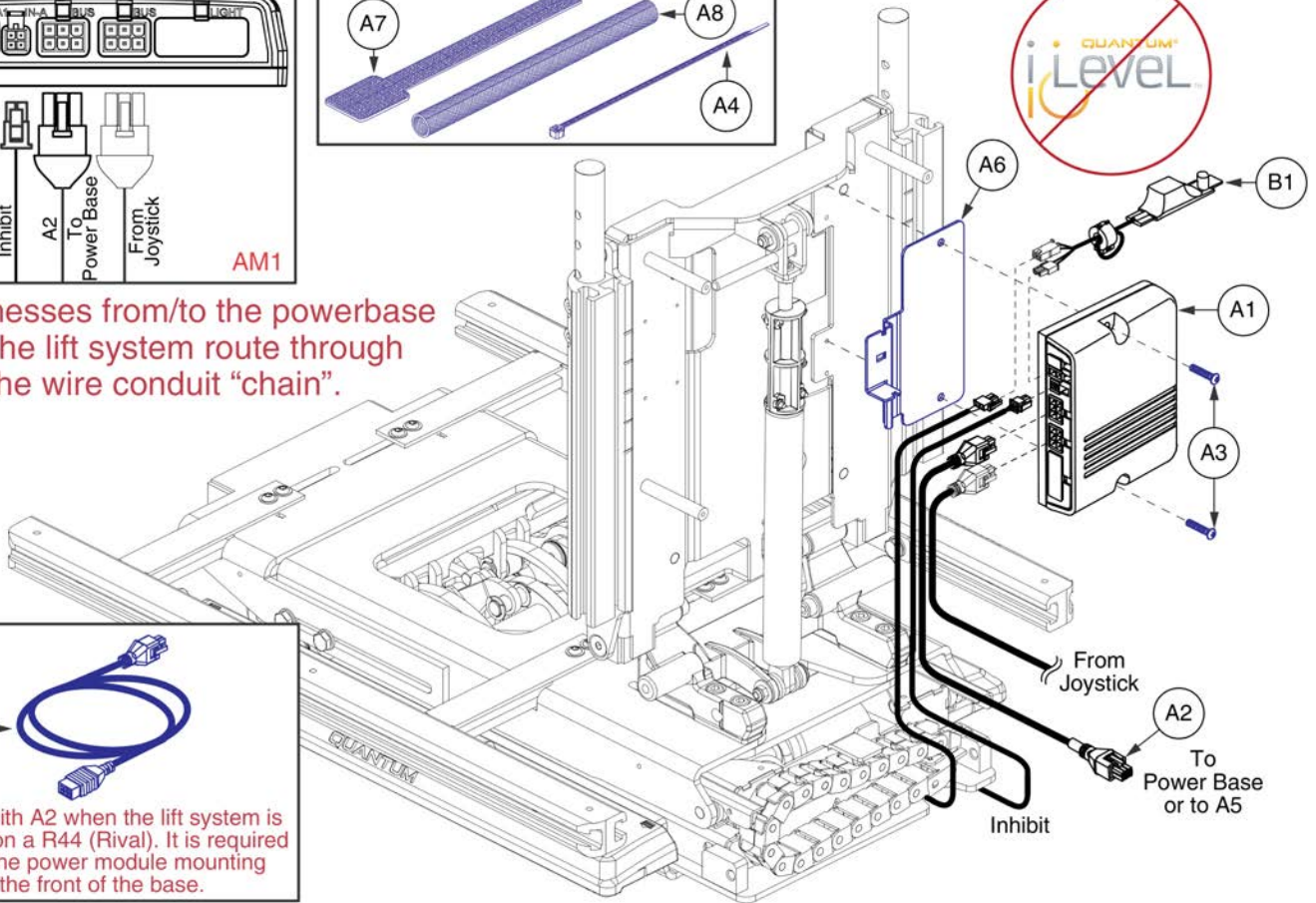


Item	Part No.	Name	Qty
A1 - A10	ELE131477	FULL LIGHT,ASSY,LED LIGHTS,TRU-BALANCE 3	1
A1	ELEASMB7120023	FULL LIGHT,ASSY,WHITE/AMBER,LED E-MARKED LIGHTS,SYNERGY,FRONT/LEFT,ELEASMB7120023	1
A2	ELEASMB7120024	FULL LIGHT,ASSY,WHITE/AMBER,LED LIGHTS,SYNERGY,FRONT/RIGHT,ELEASMB7120024	1
A3	ELEASMB7120025	LIGHT,ASSY,RED/AMBER,LED E-MARKED LIGHTS,SYNERGY,REAR/LEFT,ELEASMB7120025	1
A4	ELEASMB7120026	LIGHT,ASSY,RED/AMBER,LED E-MARKED LIGHTS,SYNERGY,REAR/RIGHT,ELEASMB7120026	1
A5	DWR1010B161	SPACER,BLACK,PLASTIC,0.157" ID X 0.866" OD X 0.22" TH,B-1010-161	8
A6	SCRSHCS1237	SCREW,SHCS,BLACK ZINC,M4-.7 X 35MM	4
A7	MEC121720	NUT,T-SLOT,M4 X 0.7,TRU-BALANCE 3	4
A8	MEC131475	LIGHT BRACKET,TRU-BALANCE 3	4
A9	NUTNYLK1065	NUT,NYLOCK,BLACK ZINC,M4-.7	4
A10	SCRSHCS1096	SCREW,SHCS,BLACK ZINC,M4-.7 X 20MM	4

NON I-Level

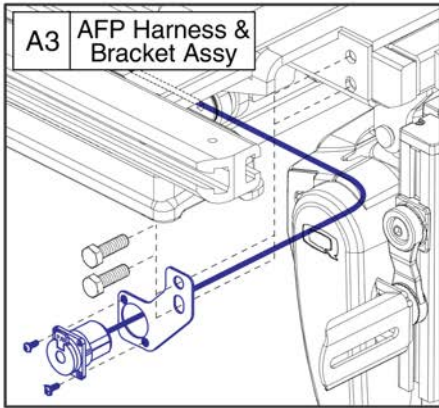


All harnesses from/to the powerbase and the lift system route through the wire conduit "chain".

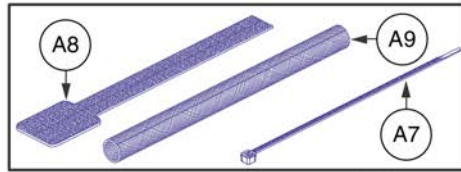


Item	Part No.	Name	Qty
A1 - B1	ELE130742	NE PLUS,LIFT ONLY,(CONFIG.#04)	1
A1	ELEASMB6557	AM1,LIFT ONLY,(CONFIG.#04)	1
A2	DWR1111H047	HARNESS,BUS CABLE,1.0 METER,FEMALE/FEMALE,H-1111-047,(CURTIS:17881302)	1
A3	SCRPPH1061	SCREW, PPH,ZINC,M4 X .7T X 20MM	2
A4	PLSTIE1004	TIE WRAP,BLACK,8"	5
A5	DWR1111H065	ELECTRONIC,HARNESS,BUS EXTENSION CABLE,CURTIS,0.410 METER,MALE/FEMALE,H-1111-065,(CURTIS: 17881303)	1
A6	MEC138637	BRACKET,STRAIN RELIEF,AM1	1
A7	VELDBLS1001	REUSABLE FASTENER,1/2"W X 8"L,HOOK & LOOP	1
A8	ELE146865	ELECTRONIC,SELF WRAPPING,5/8"D,10"L,SPLIT TUBULAR WOVEN SLEEVE,TECHFLEX(F6W0.63BK10)	1
B1	ELE153301	ELECTRICAL,ASSEMBLY,REAC LIFT BACK DRIVE PCBA & INPUT/OUTPUT HARNESS	1

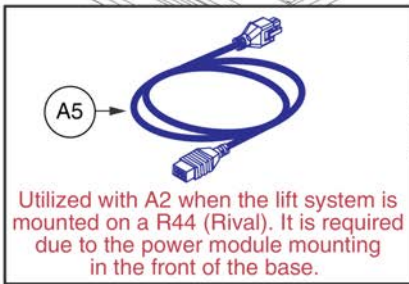
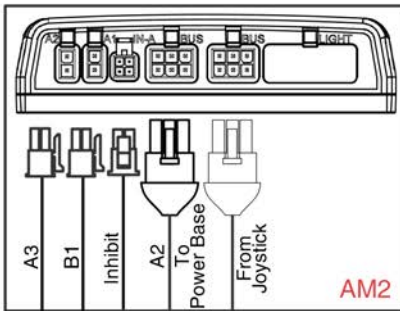
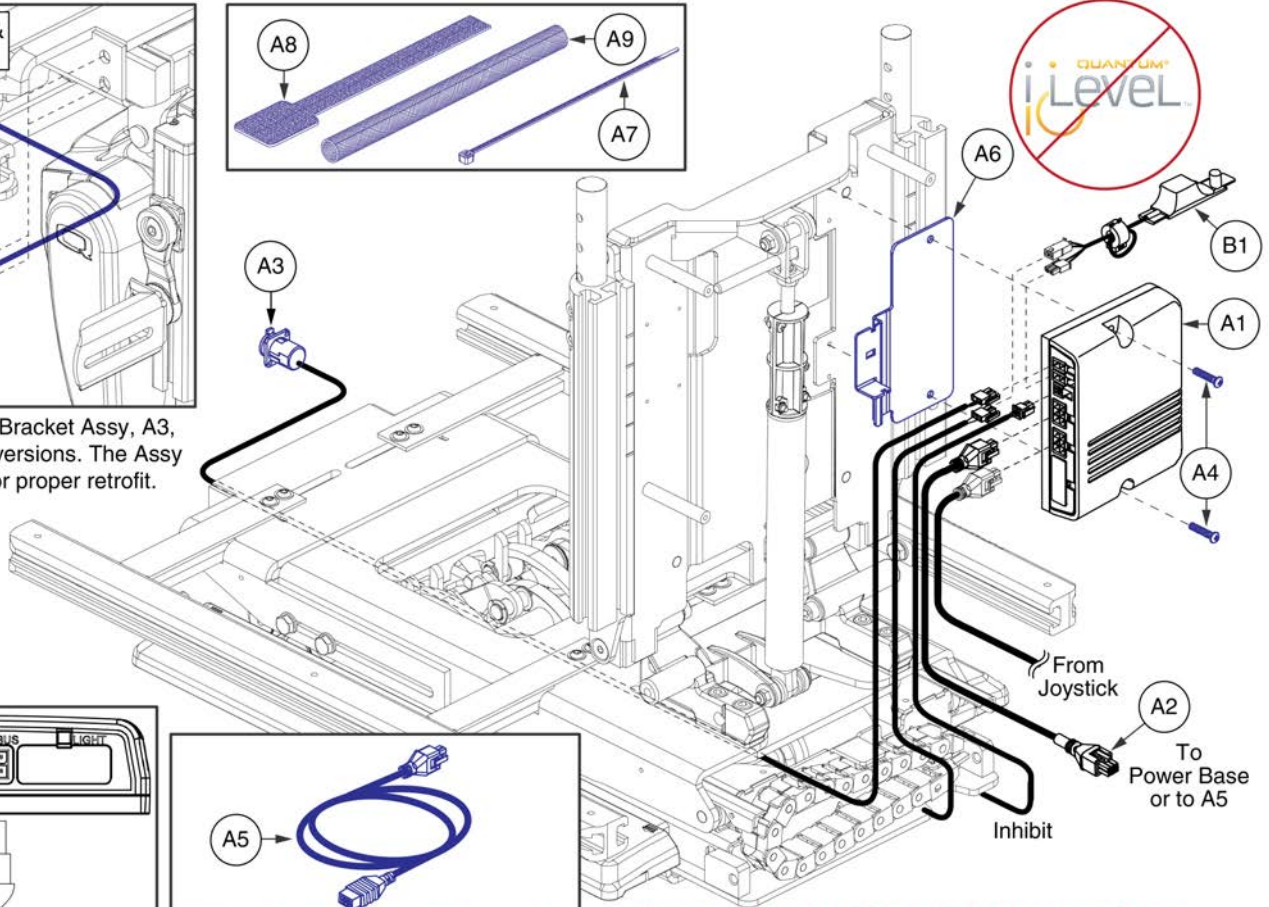
NON I-Level



This AFP Harness & Bracket Assy, A3, replaces all previous versions. The Assy must be selected for proper retrofit.



A3

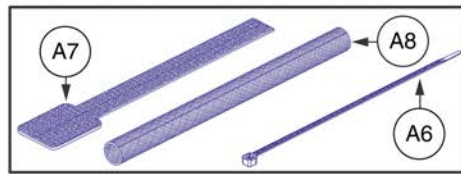
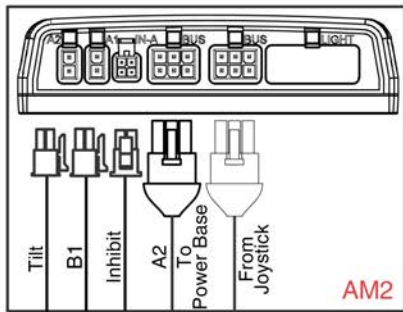


Utilized with A2 when the lift system is mounted on a R44 (Rival). It is required due to the power module mounting in the front of the base.

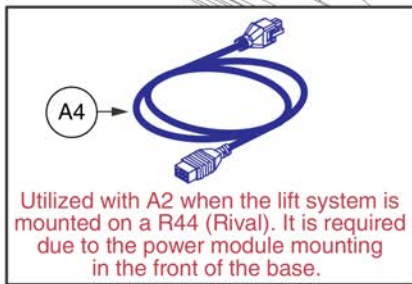
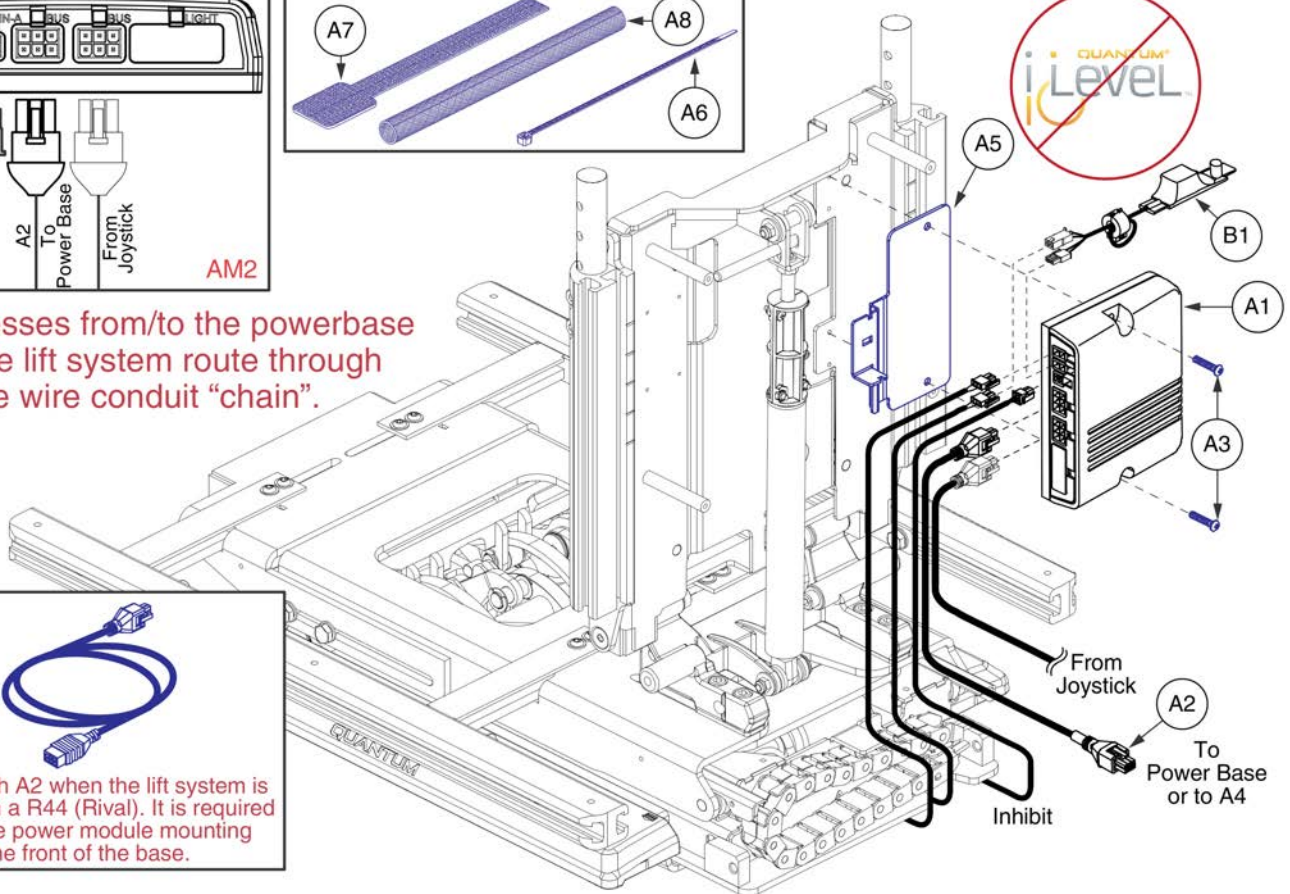
All harnesses from/to the powerbase and the lift system route through the wire conduit "chain".

Item	Part No.	Name	Qty
A1 - B1	ELE130743	NE PLUS,LIFT W/AFP,(CONFIG.#07)	1
A1	ELEASMB7164	AM2,LIFT W/AFP,(CONFIG.#07)	1
A2	DWR1111H047	HARNESS,BUS CABLE,1.0 METER,FEMALE/FEMALE,H-1111-047,(CURTIS:17881302)	1
A3	ELE1704823	ELECTRONIC,ASSY,AFP W/MOUNTING BRACKET & HARDWARE,TB3,VERSION 2	1
A4	SCRPPH1061	SCREW, PPH,ZINC,M4 X .7T X 20MM	2
A5	DWR1111H065	ELECTRONIC,HARNESS,BUS EXTENSION CABLE,CURTIS,0.410 METER,MALE/FEMALE,H-1111-065,(CURTIS: 17881303)	1
A6	MEC138637	BRACKET,STRAIN RELIEF,AM1	1
A7	PLSTIE1004	TIE WRAP,BLACK,8"	5
A8	VELDBLS1001	REUSABLE FASTENER,1/2"W X 8"L,HOOK & LOOP	1
A9	ELE146865	ELECTRONIC,SELF WRAPPING,5/8"D,10"L,SPLIT TUBULAR WOVEN SLEEVE,TECHFLEX(F6W0.63BK10)	1
B1	ELE153301	ELECTRICAL,ASSEMBLY,REAC LIFT BACK DRIVE PCBA & INPUT/OUTPUT HARNESS	1

NON I-Level

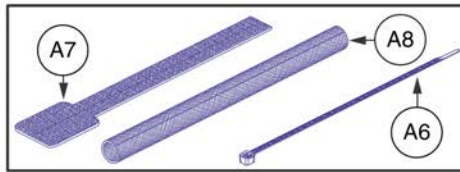
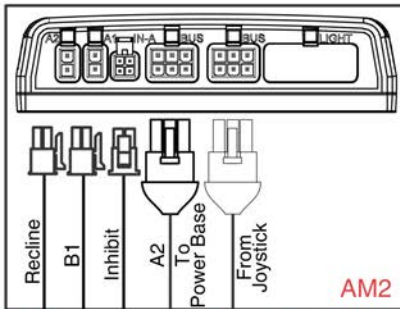


All harnesses from/to the powerbase and the lift system route through the wire conduit "chain".

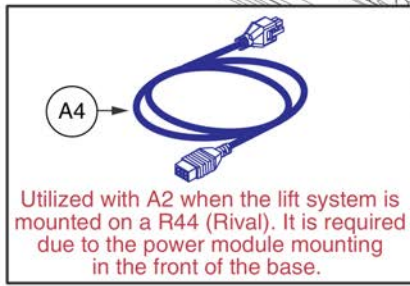
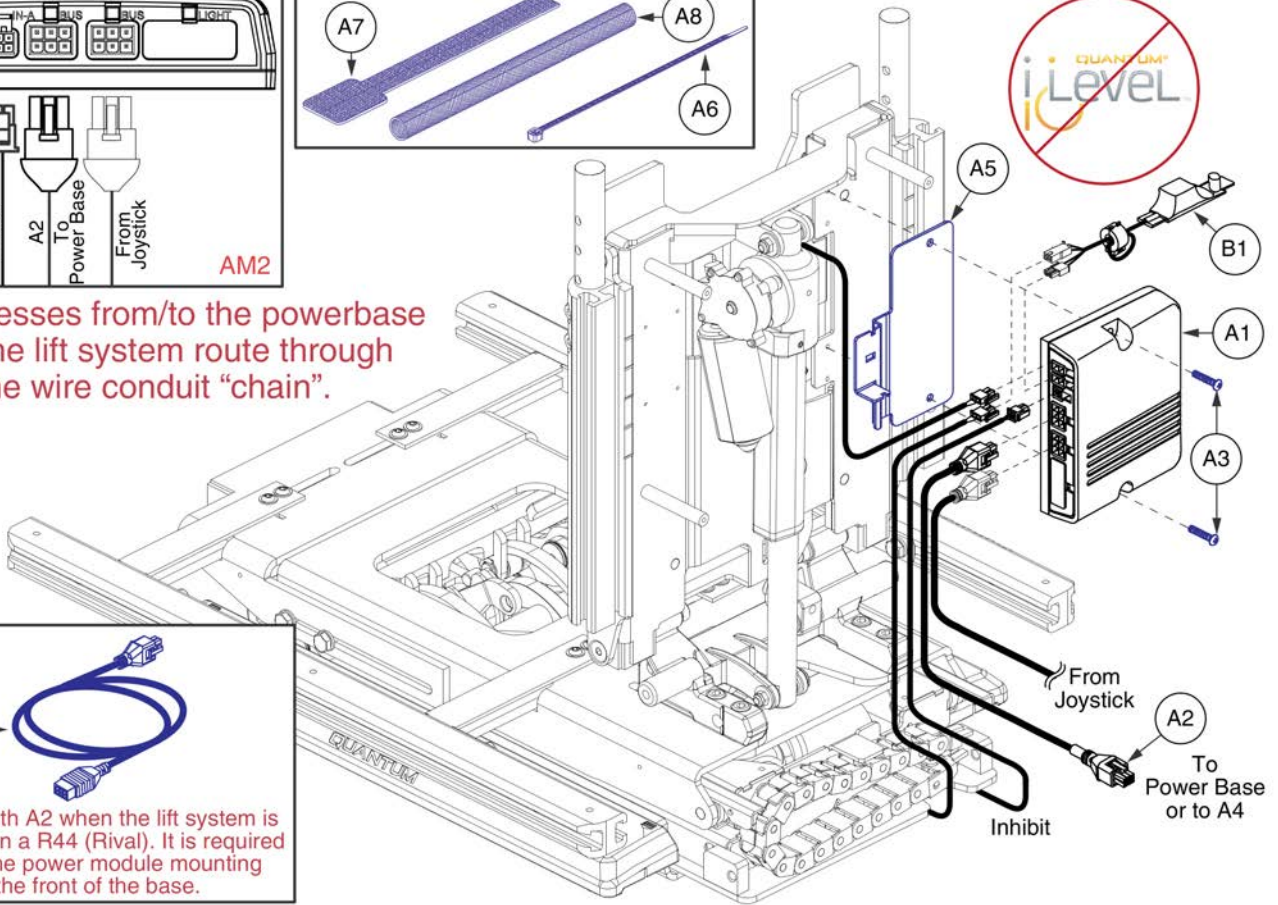


Item	Part No.	Name	Qty
A1 - B1	ELE130023	NE PLUS,LIFT & TILT,(CONFIG.#24)	1
A1	ELEASMB7162	AM2,LIFT & TILT,(CONFIG.#24)	1
A2	DWR1111H047	HARNESS,BUS CABLE,1.0 METER,FEMALE/FEMALE,H-1111-047,(CURTIS:17881302)	1
A3	SCRPPH1061	SCREW, PPH,ZINC,M4 X .7T X 20MM	2
A4	DWR1111H065	ELECTRONIC,HARNESS,BUS EXTENSION CABLE,CURTIS,0.410 METER,MALE/FEMALE,H-1111-065,(CURTIS: 17881303)	1
A5	MEC138637	BRACKET,STRAIN RELIEF,AM1	1
A6	PLSTIE1004	TIE WRAP,BLACK,8"	5
A7	VELDBLS1001	REUSABLE FASTENER,1/2"W X 8"L,HOOK & LOOP	1
A8	ELE146865	ELECTRONIC,SELF WRAPPING,5/8"D,10"L,SPLIT TUBULAR WOVEN SLEEVE,TECHFLEX(F6W0.63BK10)	1
B1	ELE153301	ELECTRICAL,ASSEMBLY,REAC LIFT BACK DRIVE PCBA & INPUT/OUTPUT HARNESS	1

NON I-Level

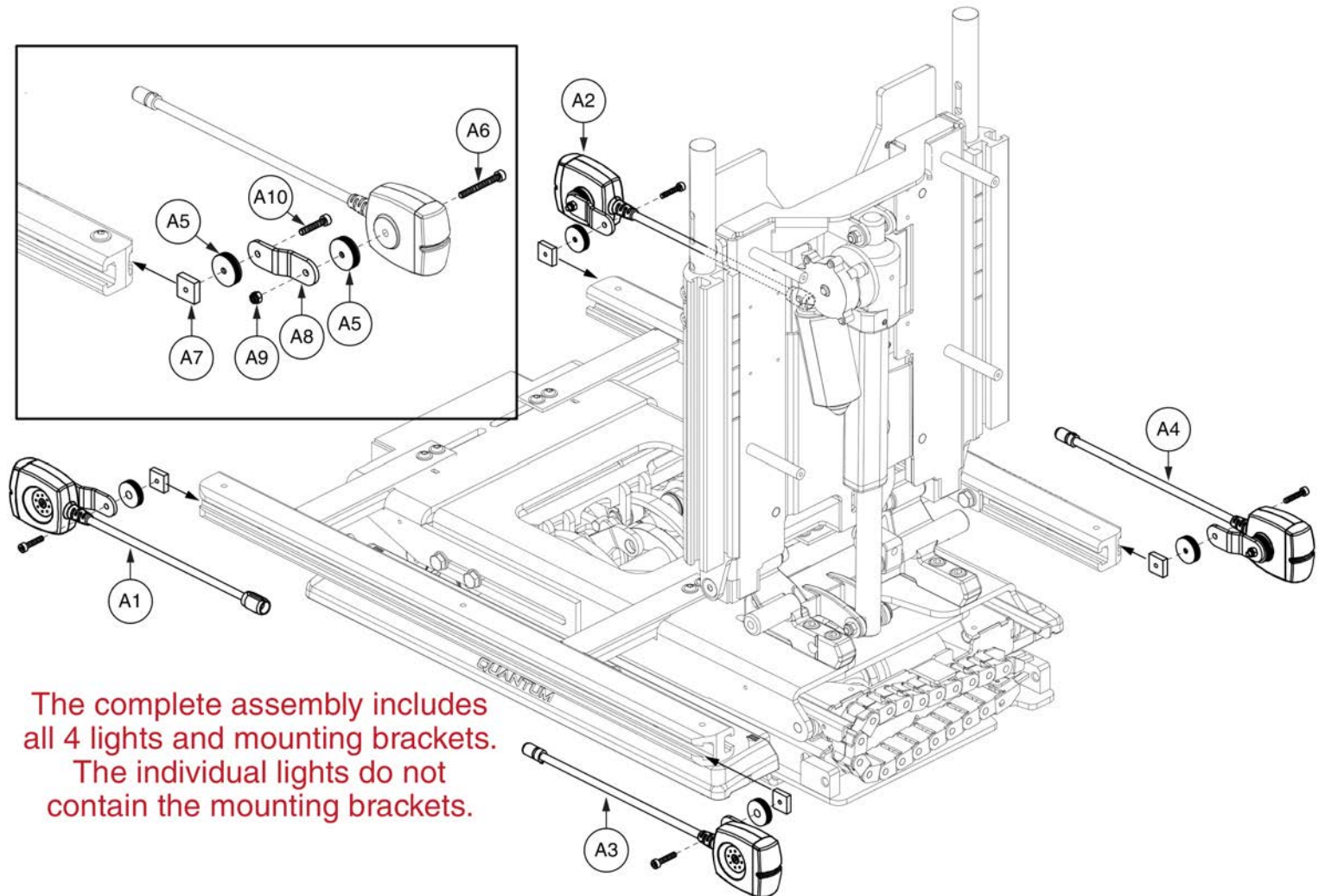


All harnesses from/to the powerbase and the lift system route through the wire conduit "chain".



Item	Part No.	Name	Qty
A1 - B1	ELE130012	NE PLUS,LIFT & RECLINE,(CONFIG.#14)	1
A1	ELEASMB7163	AM2,LIFT & RECLINE,(CONFIG.#14)	1
A2	DWR1111H047	HARNESS,BUS CABLE,1.0 METER,FEMALE/FEMALE,H-1111-047,(CURTIS:17881302)	1
A3	SCRPPH1061	SCREW, PPH,ZINC,M4 X .7T X 20MM	2
A4	DWR1111H065	ELECTRONIC,HARNESS,BUS EXTENSION CABLE,CURTIS,0.410 METER,MALE/FEMALE,H-1111-065,(CURTIS: 17881303)	1
A5	MEC138637	BRACKET,STRAIN RELIEF,AM1	1
A6	PLSTIE1004	TIE WRAP,BLACK,8"	5
A7	VELDBLS1001	REUSABLE FASTENER,1/2"W X 8"L,HOOK & LOOP	1
A8	ELE146865	ELECTRONIC,SELF WRAPPING,5/8"D,10"L,SPLIT TUBULAR WOVEN SLEEVE,TECHFLEX(F6W0.63BK10)	1
B1	ELE153301	ELECTRICAL,ASSEMBLY,REAC LIFT BACK DRIVE PCBA & INPUT/OUTPUT HARNESS	1

NON I-Level



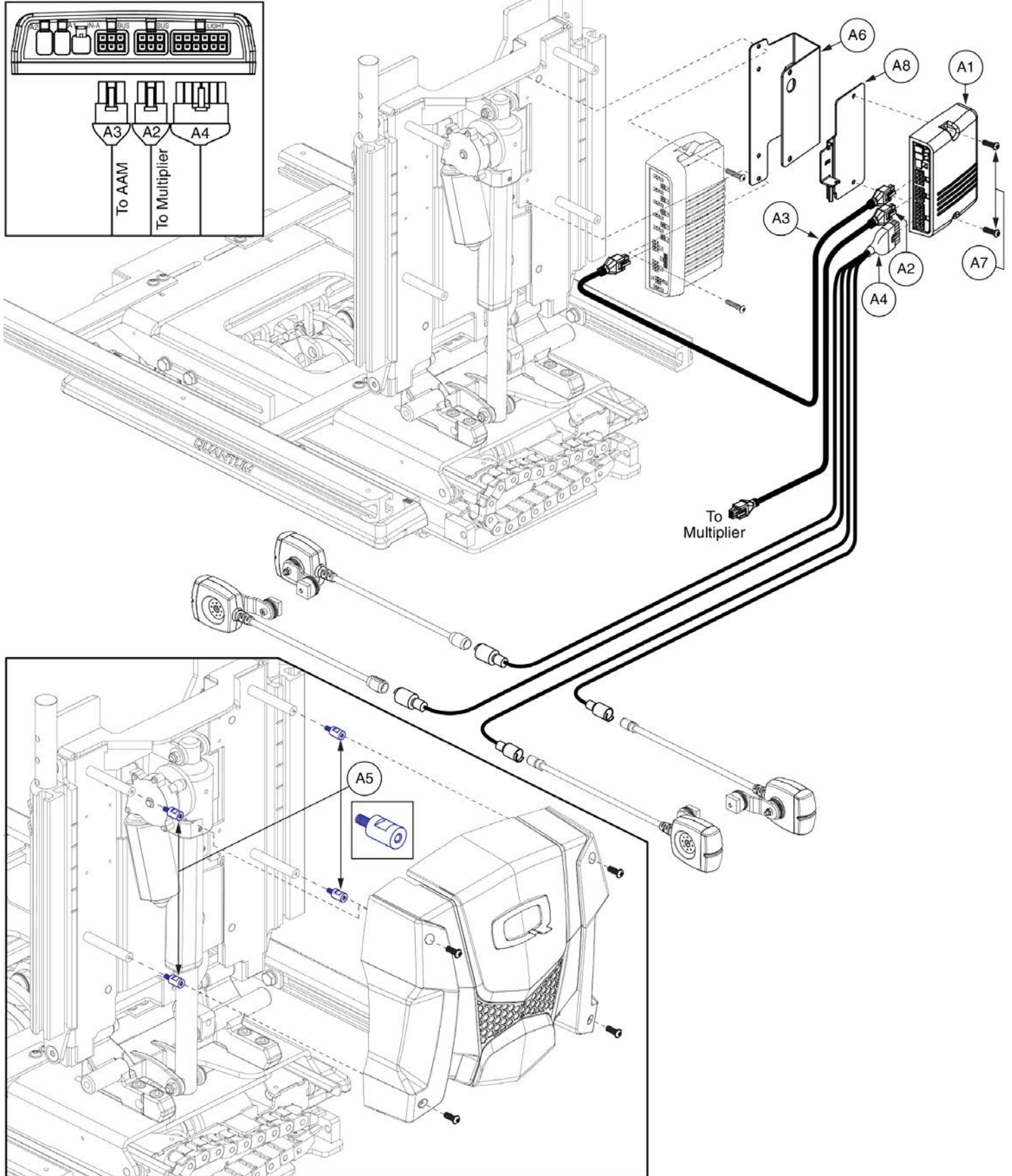
The complete assembly includes all 4 lights and mounting brackets. The individual lights do not contain the mounting brackets.

Standard Config. LED Light Assy, REAC Lift



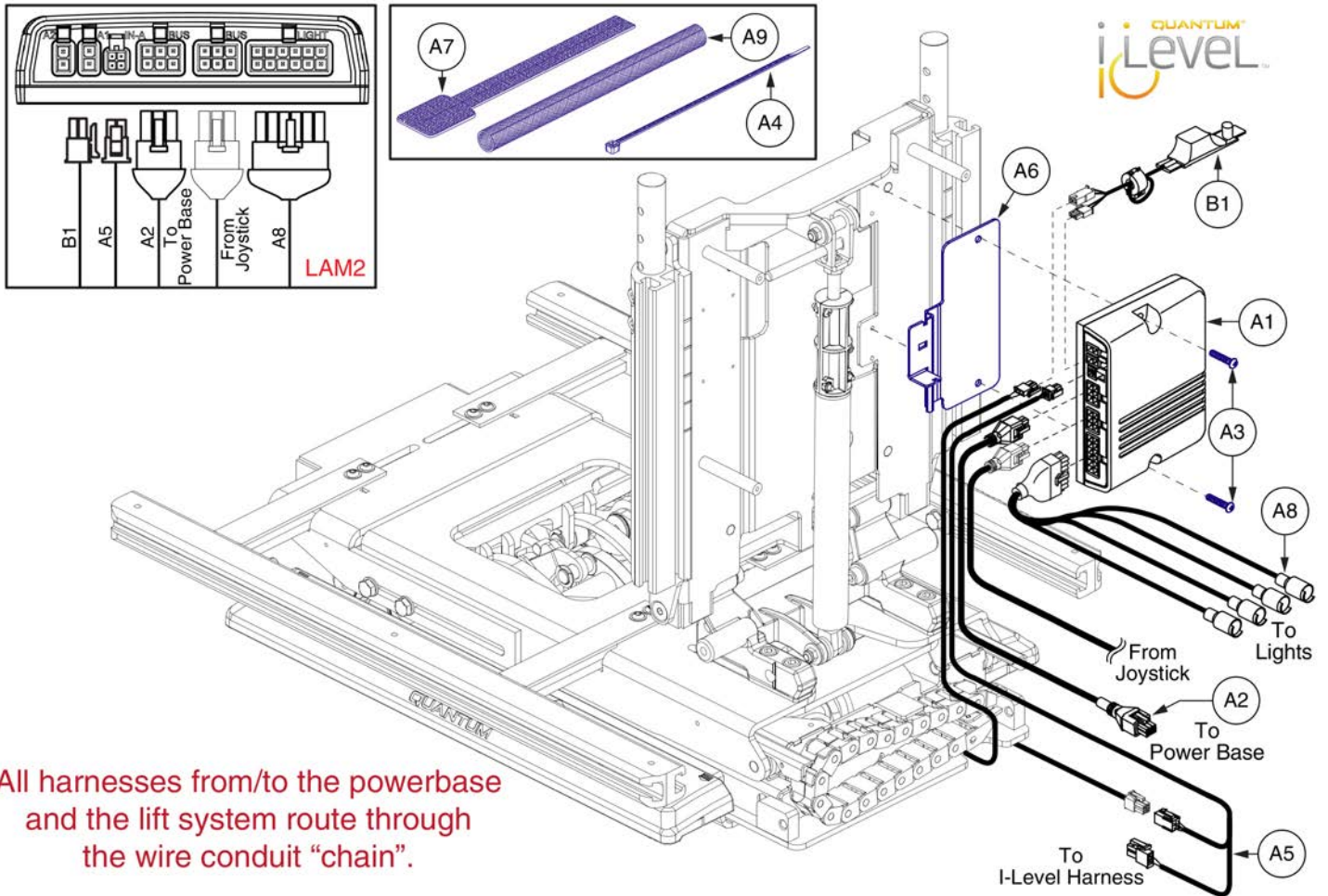
Item	Part No.	Name	Qty
A1 - A10	ELE131477	FULL LIGHT,ASSY,LED LIGHTS,TRU-BALANCE 3	1
A1	ELEASMB7120023	FULL LIGHT,ASSY,WHITE/AMBER,LED E-MARKED LIGHTS,SYNERGY,FRONT/LEFT,ELEASMB7120023	1
A2	ELEASMB7120024	FULL LIGHT,ASSY,WHITE/AMBER,LED LIGHTS,SYNERGY,FRONT/RIGHT,ELEASMB7120024	1
A3	ELEASMB7120025	LIGHT,ASSY,RED/AMBER,LED E-MARKED LIGHTS,SYNERGY,REAR/LEFT,ELEASMB7120025	1
A4	ELEASMB7120026	LIGHT,ASSY,RED/AMBER,LED E-MARKED LIGHTS,SYNERGY,REAR/RIGHT,ELEASMB7120026	1
A5	DWR1010B161	SPACER,BLACK,PLASTIC,0.157" ID X 0.866" OD X 0.22" TH,B-1010-161	8
A6	SCRSHCS1237	SCREW,SHCS,BLACK ZINC,M4-.7 X 35MM	4
A7	MEC121720	NUT,T-SLOT,M4 X 0.7,TRU-BALANCE 3	4
A8	MEC131475	LIGHT BRACKET,TRU-BALANCE 3	4
A9	NUTNYLK1065	NUT,NYLOCK,BLACK ZINC,M4-.7	4
A10	SCRSHCS1096	SCREW,SHCS,BLACK ZINC,M4-.7 X 20MM	4

Lighting thru LM, Q-Logic 2



Item	Part No.	Name	Qty
A1 - A8	ELE135850	ELECTRONIC,ASSY,Q-LOGIC/LM,TRU-BALANCE 3	1
A1	ELEASMB6213	ELECTRONIC,ASSY,Q-LOGIC LM MODULE,W/PROGRAMMING,LED LIGHTS,QUANTUM	1
A2	DWR1111H047	HARNESS,BUS CABLE,1.0 METER,FEMALE/FEMALE,H-1111-047,(CURTIS:17881302)	1
A3	DWR1111H311	ELECTRONIC,HARNESS,BUS EXTENSION CABLE,AAM/LM	1
A4	DWR1265H047	ELECTRONIC,HARNESS,FULL LIGHT,LED,TRU-BALANCE 2 POWER TILT,H-1265-047	1
A5	HDW131337	STANDOFF,MALE-FEMALE,M4-0.7 X 15MM	4
A6	MEC131336	ELECTRONIC,LIGHT MODULE BRACKET,TRU-BALANCE 3	1
A7	SCRPPH1061	SCREW, PPH,ZINC,M4 X .7T X 20MM	2
A8	MEC138637	BRACKET,STRAIN RELIEF,AM1	1

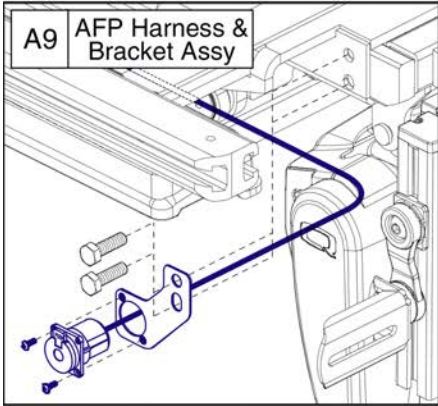
I-Level



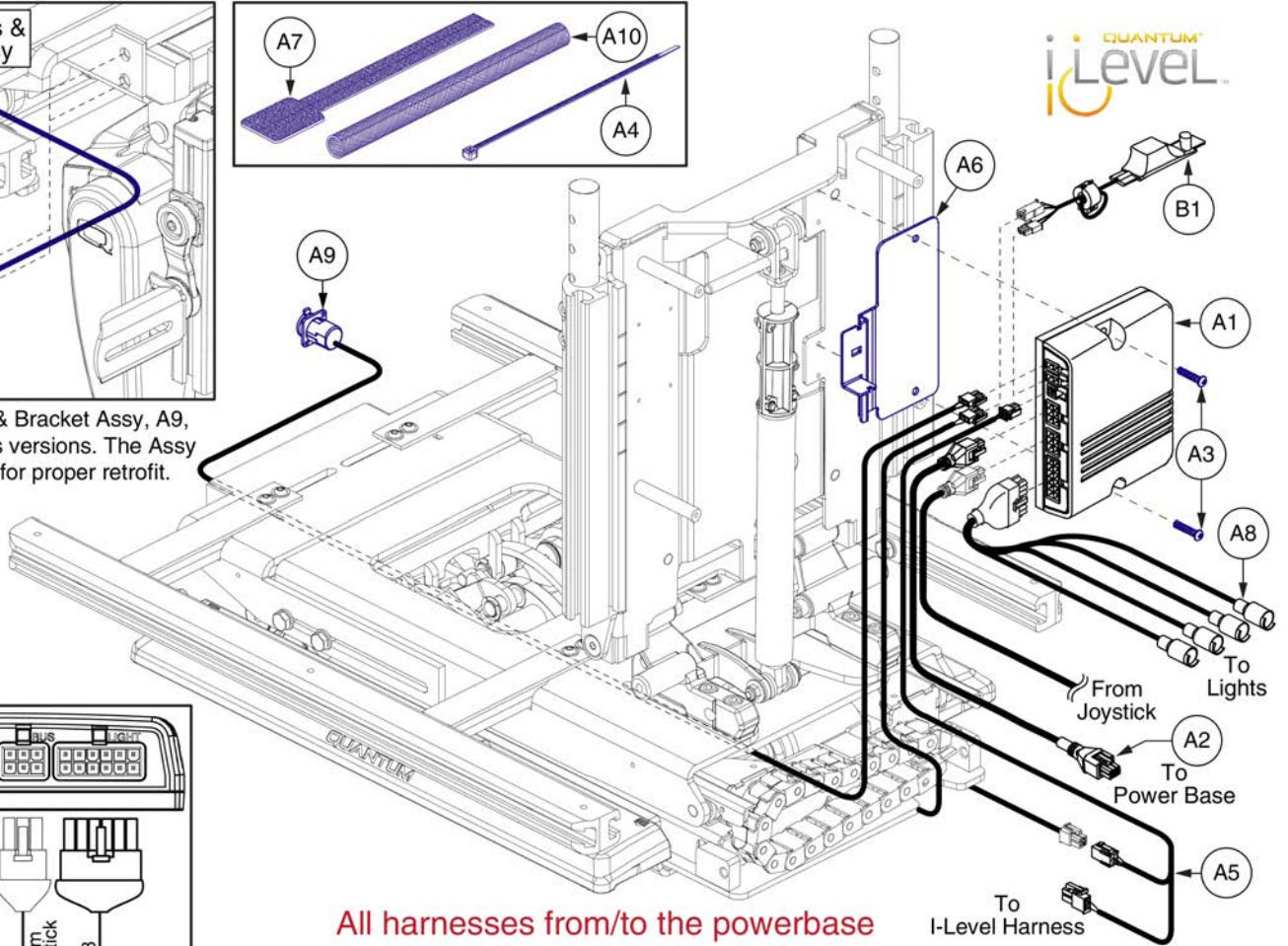
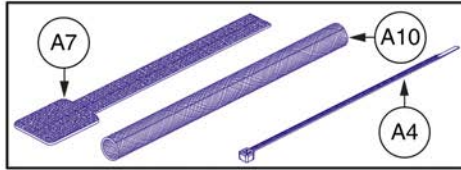
All harnesses from/to the powerbase and the lift system route through the wire conduit "chain".

Item	Part No.	Name	Qty
A1 - B1	ELE151807	ELECTRONIC,ASSY,LAM2,TRU-BALANCE 3 POWER ADJUSTABLE SEAT LIFT,(CONFIGURATION # 04)	1
A1	ELE151809	ELECTRONIC,ASSY,LAM2 MODULE,W/PROGRAMMING,TRUBALANCE,ELEVATE,(CONFIGURATION # 04)	1
A2	DWR1111H047	HARNESS,BUS CABLE,1.0 METER,FEMALE/FEMALE,H-1111-047,(CURTIS:17881302)	1
A3	SCRPPH1061	SCREW, PPH,ZINC,M4 X .7T X 20MM	2
A4	PLSTIE1004	TIE WRAP,BLACK,8"	5
A5	ELE145770	HARNESS,ILEVEL SEAT INTERMEDIATE HARNESS	1
A6	MEC138637	BRACKET,STRAIN RELIEF,AM1	1
A7	VELDBLS1001	REUSABLE FASTENER,1/2"W X 8"L,HOOK & LOOP	1
A8	DWR1265H047	ELECTRONIC,HARNESS,FULL LIGHT,LED,TRU-BALANCE 2 POWER TILT,H-1265-047	1
A9	ELE146865	ELECTRONIC,SELF WRAPPING,5/8"D,10"L,SPLIT TUBULAR WOVEN SLEEVE,TECHFLEX(F6W0.63BK10)	1
B1	ELE153301	ELECTRICAL,ASSEMBLY,REAC LIFT BACK DRIVE PCBA & INPUT/OUTPUT HARNESS	1

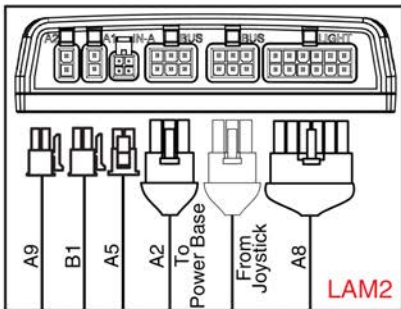
I-Level



This AFP Harness & Bracket Assy, A9, replaces all previous versions. The Assy must be selected for proper retrofit.

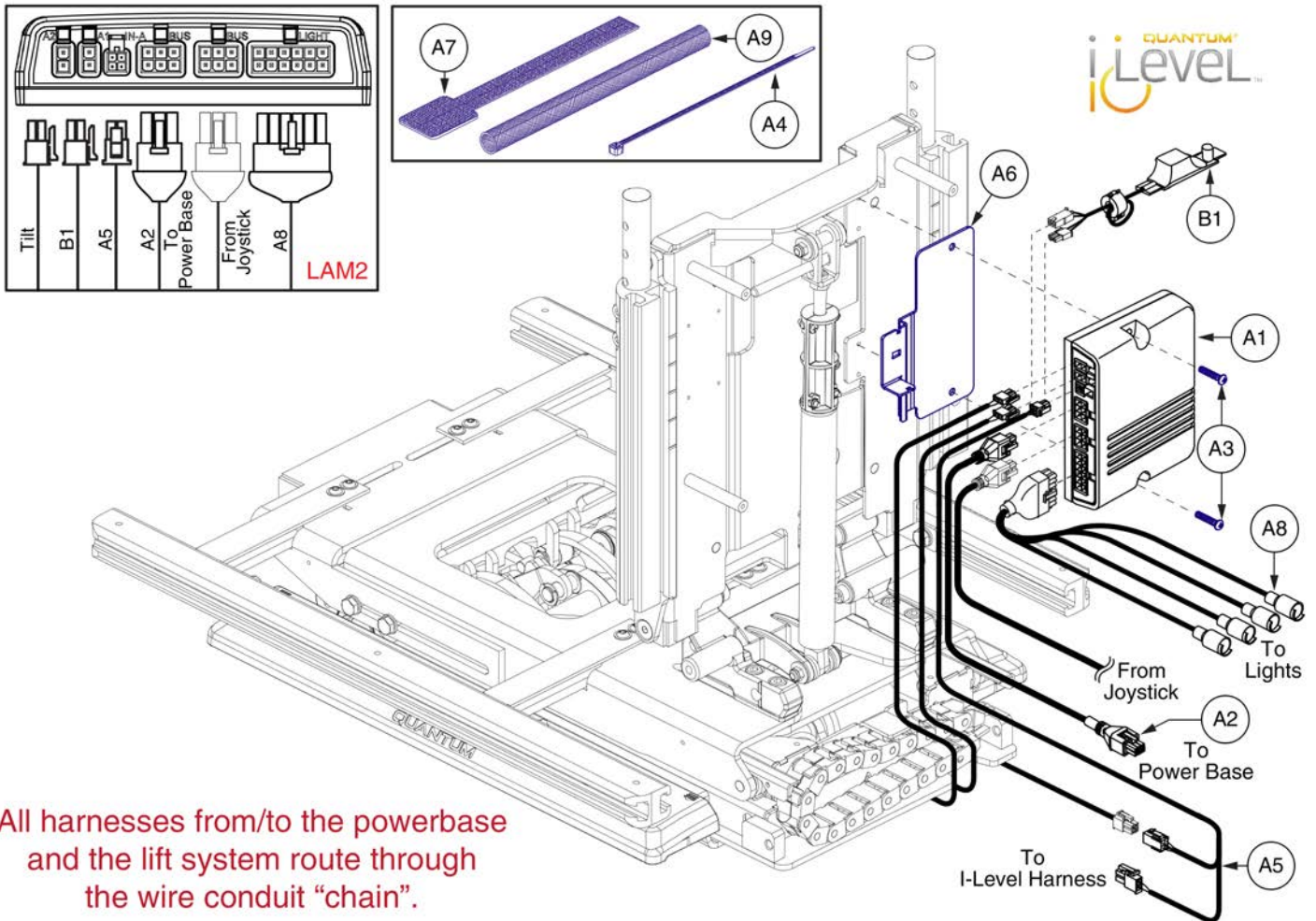


All harnesses from/to the powerbase and the lift system route through the wire conduit "chain".



Item	Part No.	Name	Qty
A1 - B1	ELE151814	ELECTRONIC,ASSY,LAM2,TRU-BALANCE 3 POWER ADJUSTABLE SEAT LIFT/POWER ARTICULATING FOOT PLATFORM,(CONF.#07)	1
A1	ELE151817	ELECTRONIC,ASSY,LAM2 MODULE,W/PROGRAMMING,TRUBALANCE,POWER FOOT PLATFORM,(CONFIGURATION # 07)	1
A2	DWR1111H047	HARNESS,BUS CABLE,1.0 METER,FEMALE/FEMALE,H-1111-047,(CURTIS:17881302)	1
A3	SCRPPH1061	SCREW, PPH,ZINC,M4 X .7T X 20MM	2
A4	PLSTIE1004	TIE WRAP,BLACK,8"	5
A5	ELE145770	HARNESS,ILEVEL SEAT INTERMEDIATE HARNESS	1
A6	MEC138637	BRACKET,STRAIN RELIEF,AM1	1
A7	VELDBLS1001	REUSABLE FASTENER,1/2"W X 8"L,HOOK & LOOP	1
A8	DWR1265H047	ELECTRONIC,HARNESS,FULL LIGHT,LED,TRU-BALANCE 2 POWER TILT,H-1265-047	1
A9	ELE1704823	ELECTRONIC,ASSY,AFP W/MOUNTING BRACKET & HARDWARE,TB3,VERSION 2	1
A10	ELE146865	ELECTRONIC,SELF WRAPPING,5/8"D,10"L,SPLIT TUBULAR WOVEN SLEEVE,TECHFLEX(F6W0.63BK10)	1
B1	ELE153301	ELECTRICAL,ASSEMBLY,REAC LIFT BACK DRIVE PCBA & INPUT/OUTPUT HARNESS	1

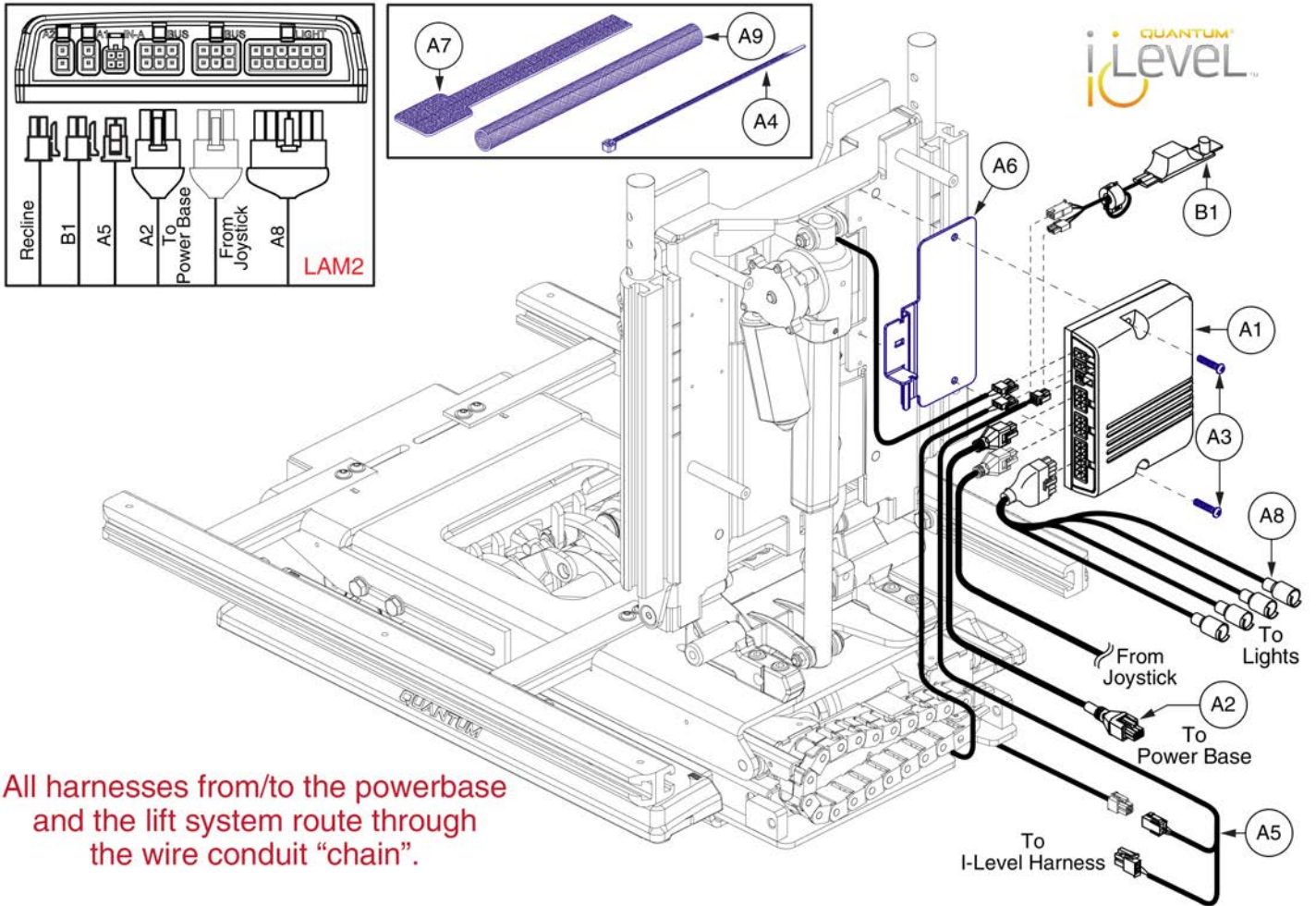
I-Level



All harnesses from/to the powerbase and the lift system route through the wire conduit "chain".

Item	Part No.	Name	Qty
A1 - B1	ELE151824	ELECTRONIC,ASSY,LAM2,TRU-BALANCE 3 POWER ADJUSTABLE SEAT LIFT & TILT,THRU JOYSTICK,(CONFIGURATION # 24)	1
A1	ELE151826	ELECTRONIC,ASSY,LAM2 MODULE,W/PROGRAMMING,TRUBALANCE,TILT/ELEVATE,(CONFIGURATION # 24)	1
A2	DWR1111H047	HARNESS,BUS CABLE,1.0 METER,FEMALE/FEMALE,H-1111-047,(CURTIS:17881302)	1
A3	SCRPPH1061	SCREW, PPH,ZINC,M4 X .7T X 20MM	2
A4	PLSTIE1004	TIE WRAP,BLACK,8"	5
A5	ELE145770	HARNESS,ILEVEL SEAT INTERMEDIATE HARNESS	1
A6	MEC138637	BRACKET,STRAIN RELIEF,AM1	1
A7	VELDBLS1001	REUSABLE FASTENER,1/2"W X 8"L,HOOK & LOOP	1
A8	DWR1265H047	ELECTRONIC,HARNESS,FULL LIGHT,LED,TRU-BALANCE 2 POWER TILT,H-1265-047	1
A9	ELE146865	ELECTRONIC,SELF WRAPPING,5/8"D,10"L,SPLIT TUBULAR WOVEN SLEEVE,TECHFLEX(F6W0.63BK10)	1
B1	ELE153301	ELECTRICAL,ASSEMBLY,REAC LIFT BACK DRIVE PCBA & INPUT/OUTPUT HARNESS	1

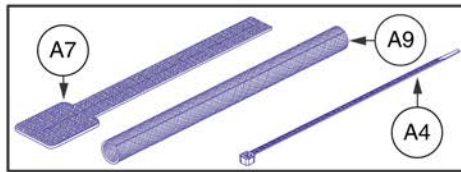
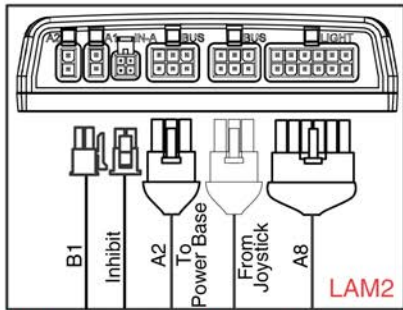
I-Level



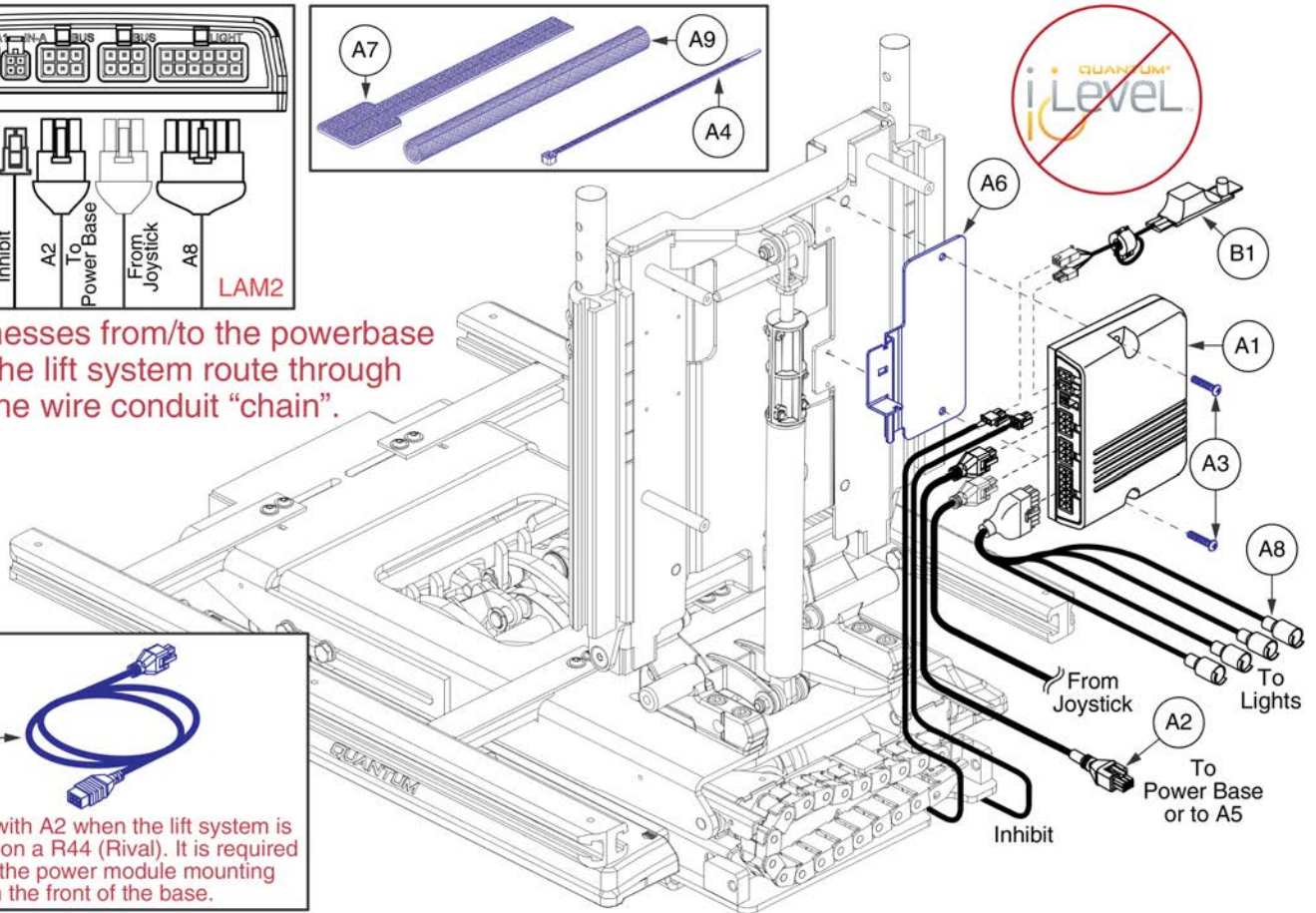
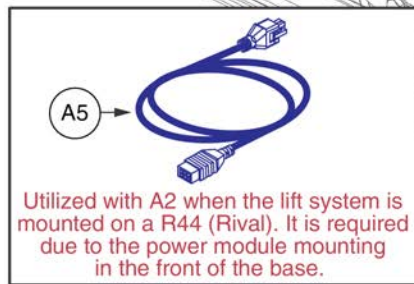
All harnesses from/to the powerbase and the lift system route through the wire conduit "chain".

Item	Part No.	Name	Qty
A1 - B1	ELE151828	ELECTRONIC,ASSY,LAM2,TRU-BALANCE 3 POWER RECLINE,POWER ADJUSTABLE SEAT LIFT & RECLINE,(CONFIGURATION # 14)	1
A1	ELE151829	ELECTRONIC,ASSY,LAM2 MODULE,W/PROGRAMMING,TRUBALANCE,RECLINE/ELEVATE,(CONFIGURATION # 14)	1
A2	DWR1111H047	HARNESS,BUS CABLE,1.0 METER,FEMALE/FEMALE,H-1111-047,(CURTIS:17881302)	1
A3	SCRPPH1061	SCREW, PPH,ZINC,M4 X .7T X 20MM	2
A4	PLSTIE1004	TIE WRAP,BLACK,8"	5
A5	ELE145770	HARNESS,ILEVEL SEAT INTERMEDIATE HARNESS	1
A6	MEC138637	BRACKET,STRAIN RELIEF,AM1	1
A7	VELDBLS1001	REUSABLE FASTENER,1/2"W X 8"L,HOOK & LOOP	1
A8	DWR1265H047	ELECTRONIC,HARNESS,FULL LIGHT,LED,TRU-BALANCE 2 POWER TILT,H-1265-047	1
A9	ELE146865	ELECTRONIC,SELF WRAPPING,5/8"D,10"L,SPLIT TUBULAR WOVEN SLEEVE,TECHFLEX(F6W0.63BK10)	1
B1	ELE153301	ELECTRICAL,ASSEMBLY,REAC LIFT BACK DRIVE PCBA & INPUT/OUTPUT HARNESS	1

NON I-Level

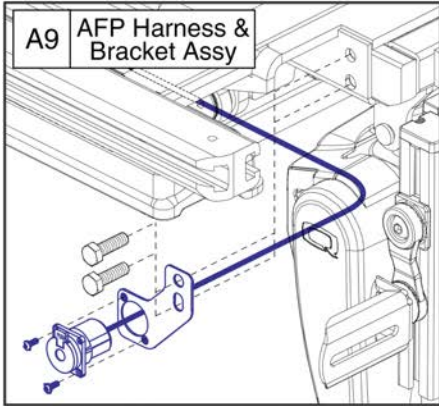


All harnesses from/to the powerbase and the lift system route through the wire conduit "chain".

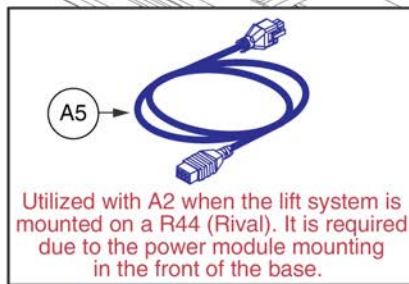
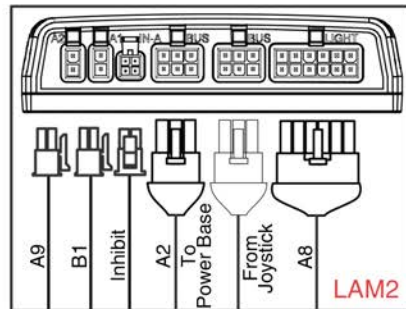
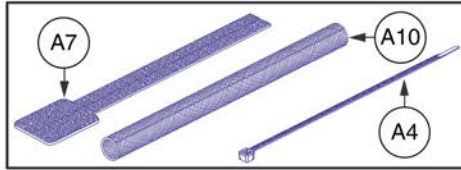


Item	Part No.	Name	Qty
A1 - B1	ELE135915	ELECTRONIC,ASSY,LAM2,TRU-BALANCE 3 LIFT,(CONFIGURATION # 04)	1
A1	ELEASMB7265	ELECTRONIC,ASSY,LAM2 MODULE,W/PROGRAMMING,TRUBALANCE,ELEVATE,(CONFIGURATION # 04)	1
A2	DWR1111H047	HARNESS,BUS CABLE,1.0 METER,FEMALE/FEMALE,H-1111-047,(CURTIS:17881302)	1
A3	SCRPPH1061	SCREW, PPH,ZINC,M4 X .7T X 20MM	2
A4	PLSTIE1004	TIE WRAP,BLACK,8"	5
A5	DWR1111H065	ELECTRONIC,HARNESS,BUS EXTENSION CABLE,CURTIS,0.410 METER,MALE/FEMALE,H-1111-065,(CURTIS: 17881303)	1
A6	MEC138637	BRACKET,STRAIN RELIEF,AM1	1
A7	VELDBLS1001	REUSABLE FASTENER,1/2"W X 8"L,HOOK & LOOP	1
A8	DWR1265H047	ELECTRONIC,HARNESS,FULL LIGHT,LED,TRU-BALANCE 2 POWER TILT,H-1265-047	1
A9	ELE146865	ELECTRONIC,SELF WRAPPING,5/8"D,10"L,SPLIT TUBULAR WOVEN SLEEVE,TECHFLEX(F6W0.63BK10)	1
B1	ELE153301	ELECTRICAL,ASSEMBLY,REAC LIFT BACK DRIVE PCBA & INPUT/OUTPUT HARNESS	1

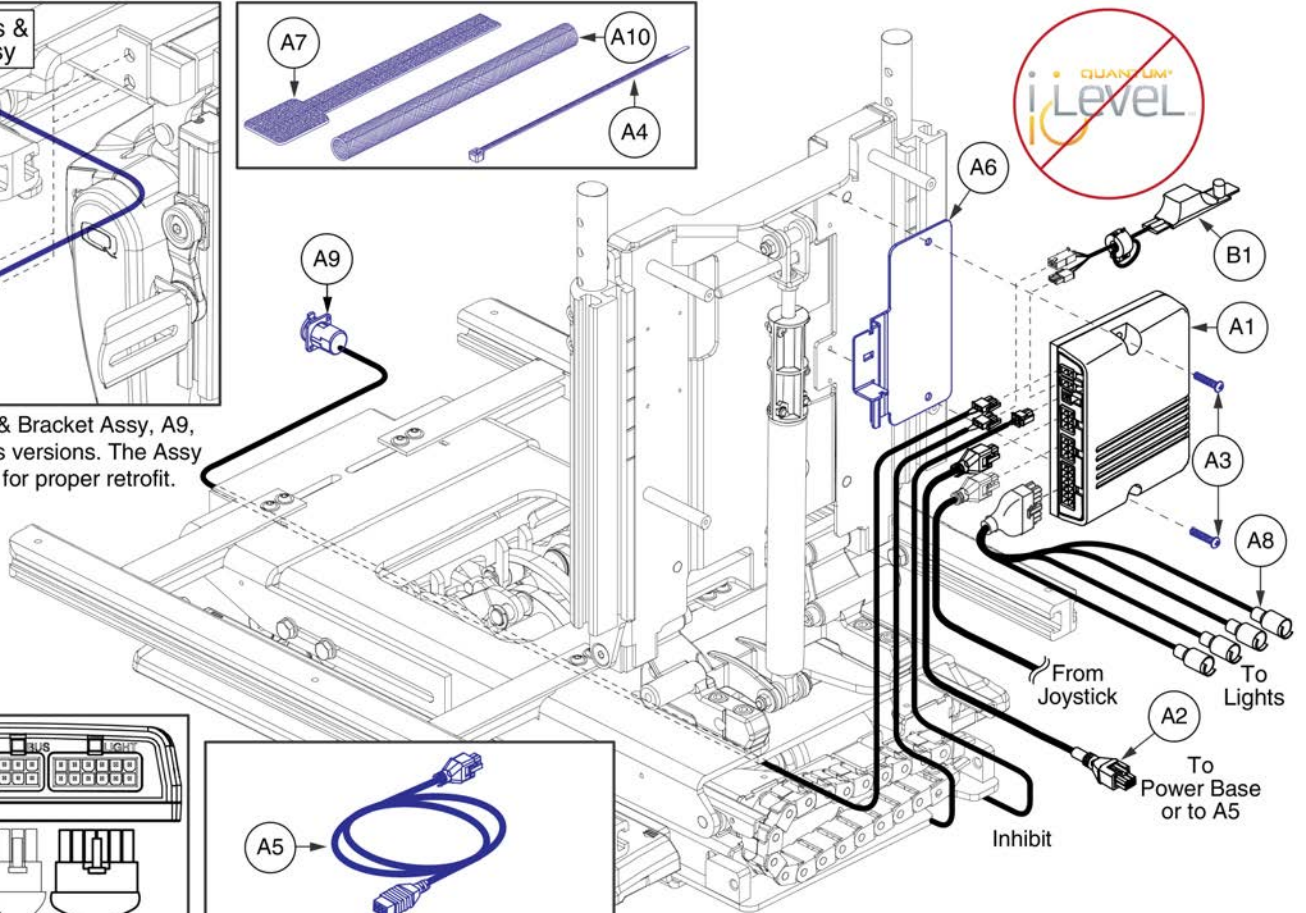
NON I-Level



This AFP Harness & Bracket Assy, A9, replaces all previous versions. The Assy must be selected for proper retrofit.



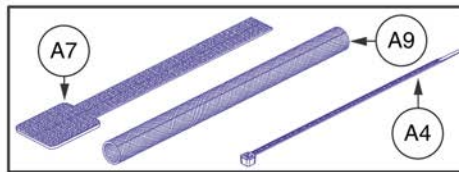
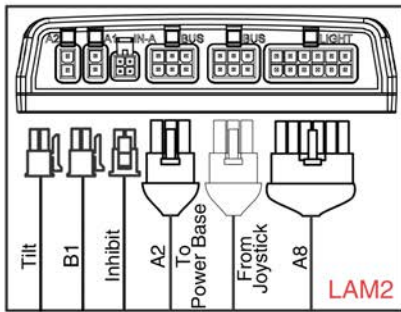
Utilized with A2 when the lift system is mounted on a R44 (Rival). It is required due to the power module mounting in the front of the base.



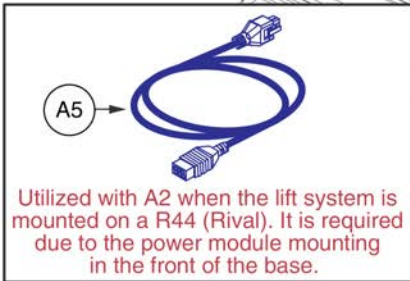
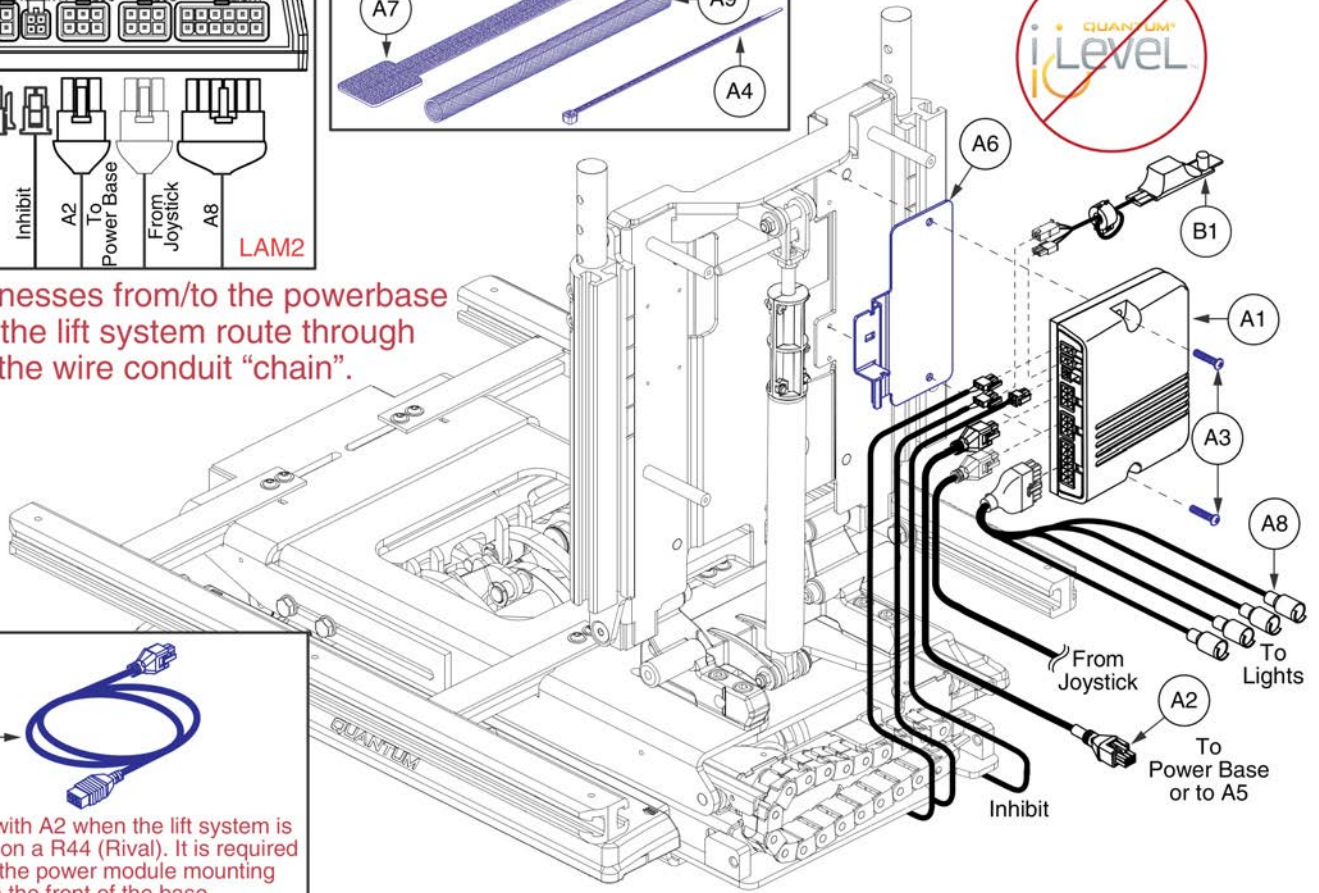
All harnesses from/to the powerbase and the lift system route through the wire conduit "chain".

Item	Part No.	Name	Qty
A1 - B1	ELE135917	ELECTRONIC,ASSY,LAM2,TB3 LIFT W/AFP,(CONFIG.# 07)	1
A1	ELEASMB7267	ELECTRONIC,ASSY,LAM2 MODULE,W/PROGRAMMING,TRUBALANCE,POWER FOOT PLATFORM,(CONFIGURATION # 07)	1
A2	DWR1111H047	HARNESS,BUS CABLE,1.0 METER,FEMALE/FEMALE,H-1111-047,(CURTIS:17881302)	1
A3	SCRPPH1061	SCREW, PPH,ZINC,M4 X .7T X 20MM	2
A4	PLSTIE1004	TIE WRAP,BLACK,8"	5
A5	DWR1111H065	ELECTRONIC,HARNESS,BUS EXTENSION CABLE,CURTIS,0.410 METER,MALE/FEMALE,H-1111-065,(CURTIS: 17881303)	1
A6	MEC138637	BRACKET,STRAIN RELIEF,AM1	1
A7	VELDBLS1001	REUSABLE FASTENER,1/2"W X 8"L,HOOK & LOOP	1
A8	DWR1265H047	ELECTRONIC,HARNESS,FULL LIGHT,LED,TRU-BALANCE 2 POWER TILT,H-1265-047	1
A9	ELE1704823	ELECTRONIC,ASSY,AFP W/MOUNTING BRACKET & HARDWARE,TB3,VERSION 2	1
A10	ELE146865	ELECTRONIC,SELF WRAPPING,5/8"D,10"L,SPLIT TUBULAR WOVEN SLEEVE,TECHFLEX(F6W0.63BK10)	1
B1	ELE153301	ELECTRICAL,ASSEMBLY,REAC LIFT BACK DRIVE PCBA & INPUT/OUTPUT HARNESS	1

NON I-Level

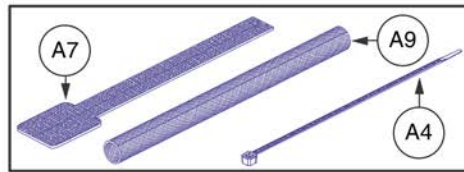
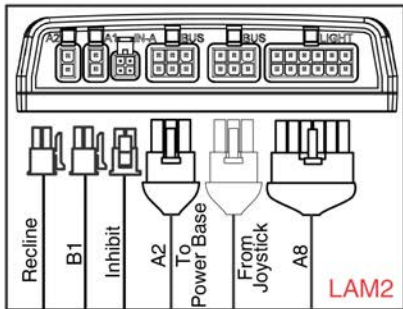


All harnesses from/to the powerbase and the lift system route through the wire conduit "chain".

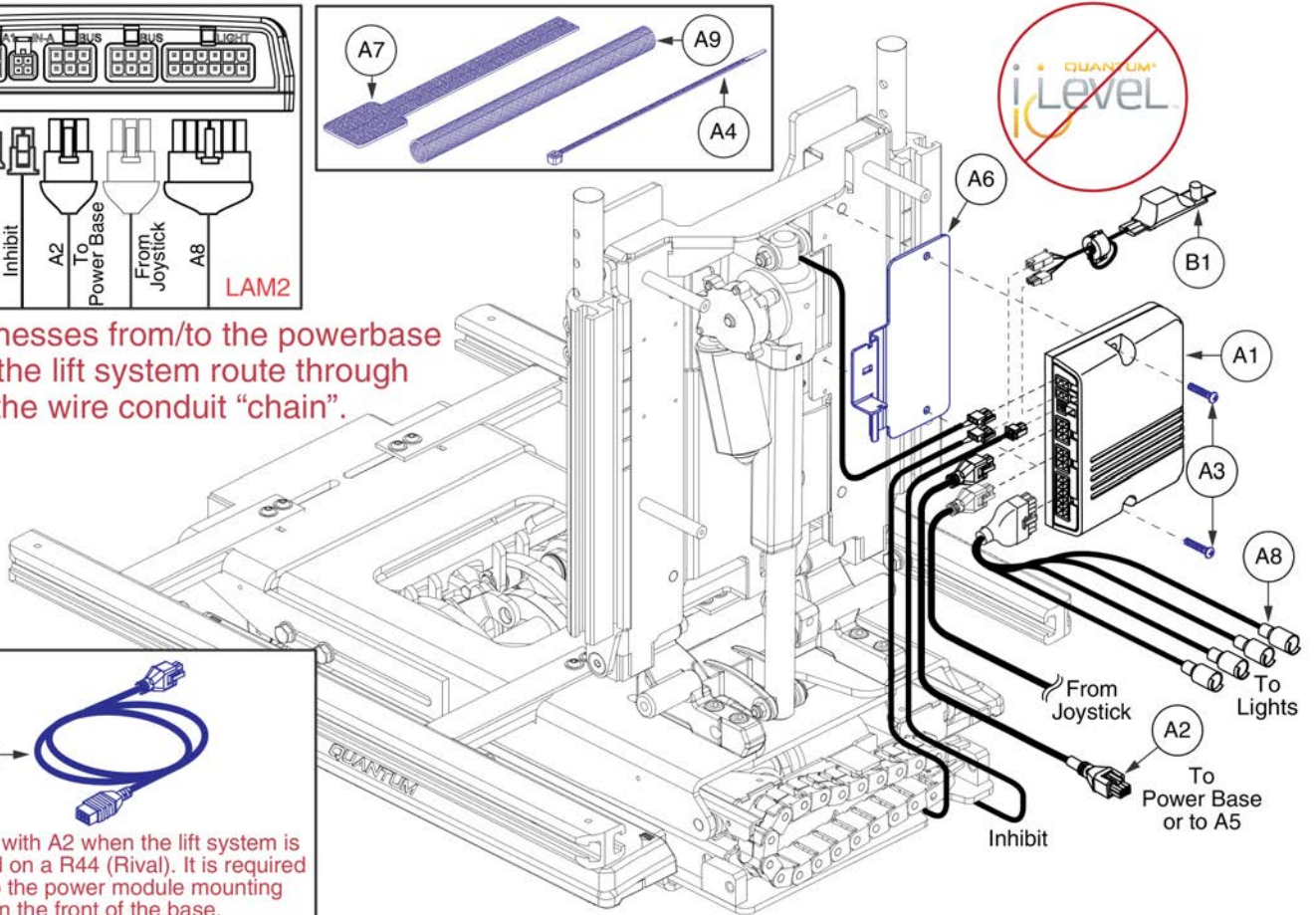
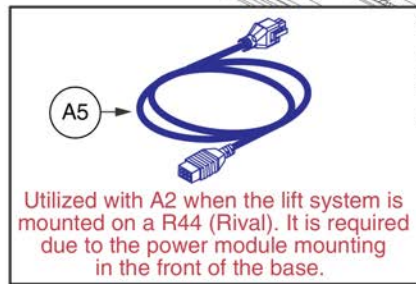


Item	Part No.	Name	Qty
A1 - B1	ELE135907	ELECTRONIC,ASSY,LAM2,TRU-BALANCE 3 LIFT & TILT,THRU JOYSTICK,(CONFIGURATION # 24)	1
A1	ELEASMB7258	ELECTRONIC,ASSY,LAM2 MODULE,W/PROGRAMMING,TRUBALANCE,TILT/ELEVATE,(CONFIGURATION # 24)	1
A2	DWR1111H047	HARNESS,BUS CABLE,1.0 METER,FEMALE/FEMALE,H-1111-047,(CURTIS:17881302)	1
A3	SCRPPH1061	SCREW, PPH,ZINC,M4 X .7T X 20MM	2
A4	PLSTIE1004	TIE WRAP,BLACK,8"	5
A5	DWR1111H065	ELECTRONIC,HARNESS,BUS EXTENSION CABLE,CURTIS,0.410 METER,MALE/FEMALE,H-1111-065,(CURTIS: 17881303)	1
A6	MEC138637	BRACKET,STRAIN RELIEF,AM1	1
A7	VELDBLS1001	REUSABLE FASTENER,1/2"W X 8"L,HOOK & LOOP	1
A8	DWR1265H047	ELECTRONIC,HARNESS,FULL LIGHT,LED,TRU-BALANCE 2 POWER TILT,H-1265-047	1
A9	ELE146865	ELECTRONIC,SELF WRAPPING,5/8"D,10"L,SPLIT TUBULAR WOVEN SLEEVE,TECHFLEX(F6W0.63BK10)	1
B1	ELE153301	ELECTRICAL,ASSEMBLY,REAC LIFT BACK DRIVE PCBA & INPUT/OUTPUT HARNESS	1

NON I-Level

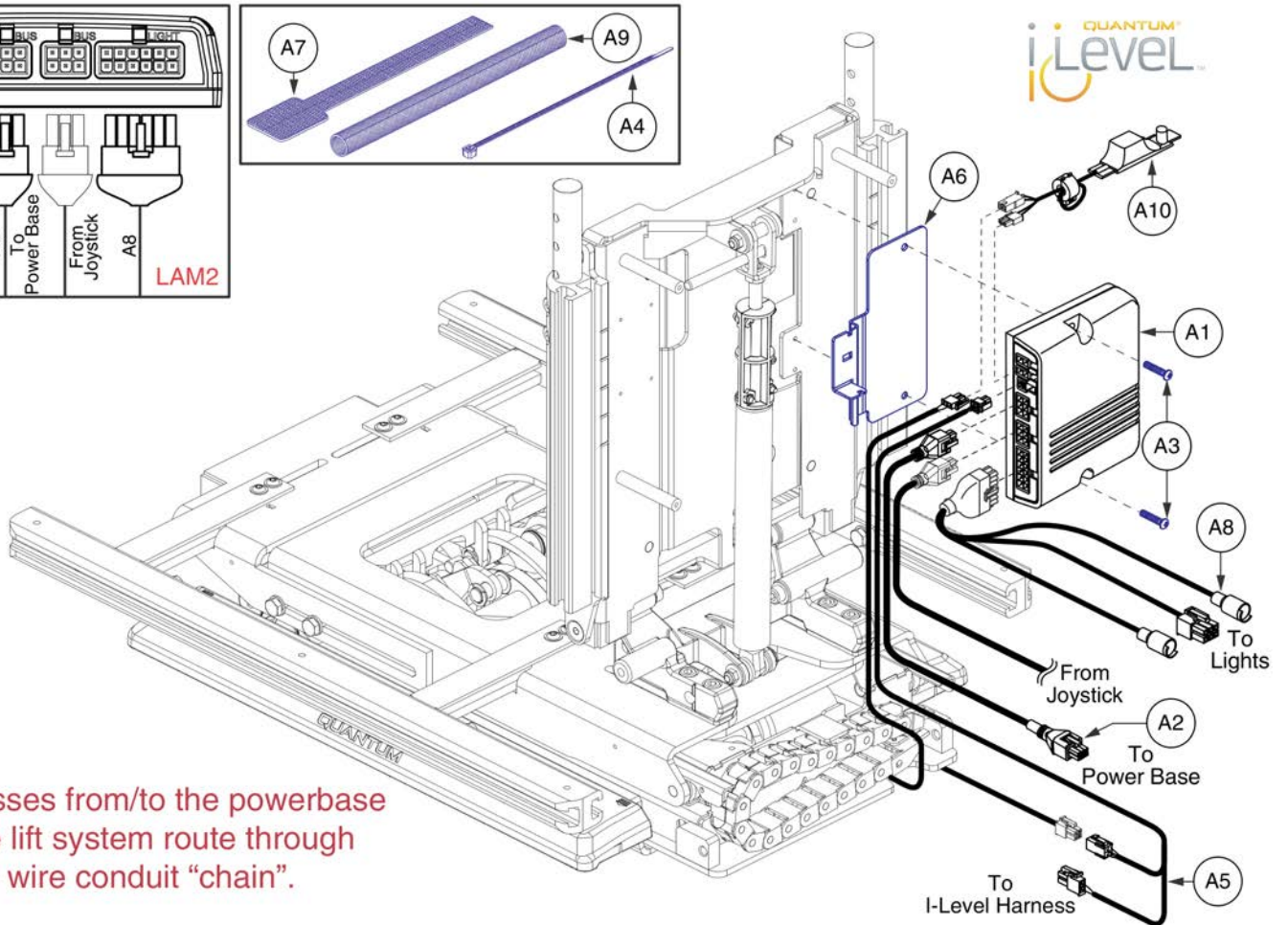
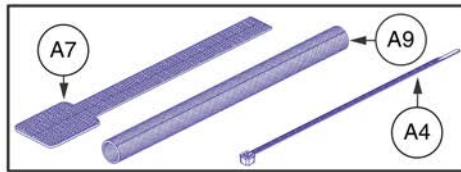
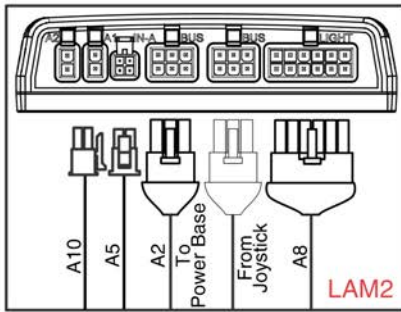


All harnesses from/to the powerbase and the lift system route through the wire conduit "chain".



Item	Part No.	Name	Qty
A1 - B1	ELE135912	ELECTRONIC,ASSY,LAM2,TRU-BALANCE 3 POWER RECLINE,LIFT & RECLINE,(CONFIGURATION # 14)	1
A1	ELEASMB7262	ELECTRONIC,ASSY,LAM2 MODULE,W/PROGRAMMING,TRUBALANCE,RECLINE/ELEVATE,(CONFIGURATION # 14)	1
A2	DWR1111H047	HARNESS,BUS CABLE,1.0 METER,FEMALE/FEMALE,H-1111-047,(CURTIS:17881302)	1
A3	SCRPPH1061	SCREW, PPH,ZINC,M4 X .7T X 20MM	2
A4	PLSTIE1004	TIE WRAP,BLACK,8"	5
A5	DWR1111H065	ELECTRONIC,HARNESS,BUS EXTENSION CABLE,CURTIS,0.410 METER,MALE/FEMALE,H-1111-065,(CURTIS: 17881303)	1
A6	MEC138637	BRACKET,STRAIN RELIEF,AM1	1
A7	VELDBLS1001	REUSABLE FASTENER,1/2"W X 8"L,HOOK & LOOP	1
A8	DWR1265H047	ELECTRONIC,HARNESS,FULL LIGHT,LED,TRU-BALANCE 2 POWER TILT,H-1265-047	1
A9	ELE146865	ELECTRONIC,SELF WRAPPING,5/8"D,10"L,SPLIT TUBULAR WOVEN SLEEVE,TECHFLEX(F6W0.63BK10)	1
B1	ELE153301	ELECTRICAL,ASSEMBLY,REAC LIFT BACK DRIVE PCBA & INPUT/OUTPUT HARNESS	1

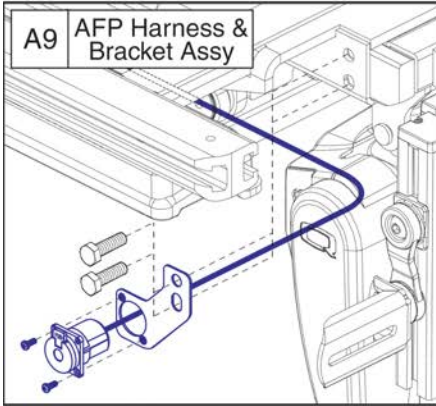
Q6 Edge 3 Stretto Seat Mounted Lights



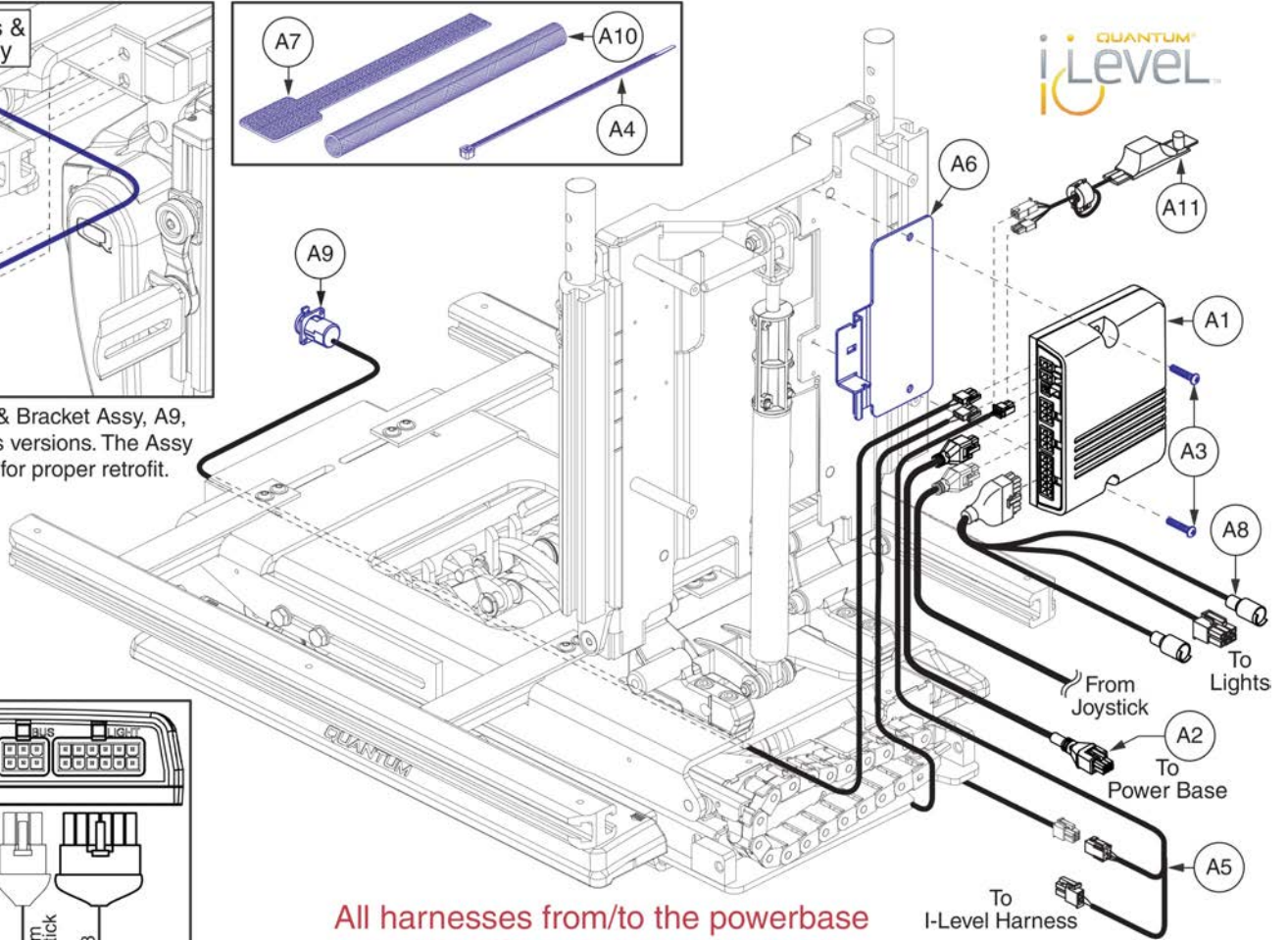
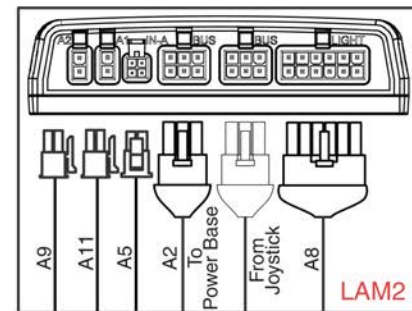
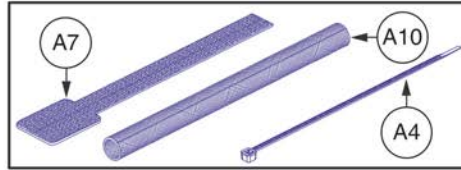
All harnesses from/to the powerbase and the lift system route through the wire conduit "chain".

Item	Part No.	Name	Qty
A1 - A10	ELE1905923	ELECTRONIC,ASSY,LAM2,TRU-BALANCE 3 POWER ADJUSTABLE SEAT LIFT,(CONFIGURATION # 04),Q6EDGE 3 STRETTO	1
A1	ELE151809	ELECTRONIC,ASSY,LAM2 MODULE,W/PROGRAMMING,TRUBALANCE,ELEVATE,(CONFIGURATION # 04)	1
A2	DWR1111H047	HARNESS,BUS CABLE,1.0 METER,FEMALE/FEMALE,H-1111-047,(CURTIS:17881302)	1
A3	SCRPPH1153	SCREW, PAN HEAD, TYPE H, M4X0.7 X 20, FT, ISO 7045, CL 4.8, BZ	2
A4	PLSTIE1004	TIE WRAP,BLACK,8"	5
A5	ELE145770	HARNESS,ILEVEL SEAT INTERMEDIATE HARNESS	1
A6	MEC138637	BRACKET,STRAIN RELIEF,AM1	1
A7	VELDBLS1001	REUSABLE FASTENER,1/2"W X 8"L,HOOK & LOOP	1
A8	ELE1808585	HARNESS, LIGHT INTERFACE, EDGE MINI, REAR SEAT MODULE, W/LIFT	1
A9	ELE146865	ELECTRONIC,SELF WRAPPING,5/8"D,10"L,SPLIT TUBULAR WOVEN SLEEVE,TECHFLEX(F6W0.63BK10)	1
A10	ELE153301	ELECTRICAL,ASSEMBLY,REAC LIFT BACK DRIVE PCBA & INPUT/OUTPUT HARNESS	1

Q6 Edge 3 Stretto Seat Mounted Lights



This AFP Harness & Bracket Assy, A9, replaces all previous versions. The Assy must be selected for proper retrofit.



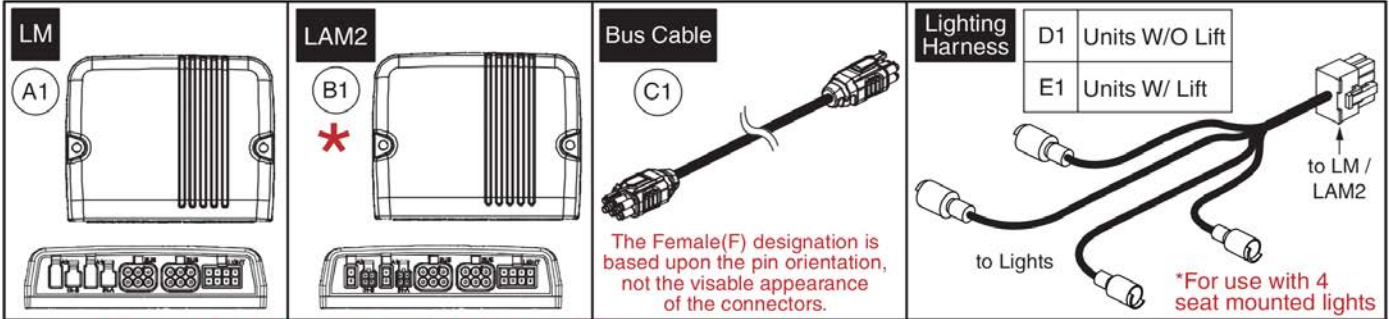
All harnesses from/to the powerbase and the lift system route through the wire conduit "chain".

Item	Part No.	Name	Qty
A1 - A11	ELE1905924	ELECTRONIC,ASSY,LAM2,TRU-BALANCE 3 POWER ADJUSTABLE SEAT LIFT/POWER ARTICULATING FOOT PLATFORM,(CONFIG# 07),Q6EDGE 3 STRETTO	1
A1	ELE151817	ELECTRONIC,ASSY,LAM2 MODULE,W/PROGRAMMING,TRUBALANCE,POWER FOOT PLATFORM,(CONFIGURATION # 07)	1
A2	DWR1111H047	HARNESS,BUS CABLE,1.0 METER,FEMALE/FEMALE,H-1111-047,(CURTIS:17881302)	1
A3	SCRPPH1153	SCREW, PAN HEAD, TYPE H, M4X0.7 X 20, FT, ISO 7045, CL 4.8, BZ	2
A4	PLSTIE1004	TIE WRAP,BLACK,8"	5
A5	ELE145770	HARNESS,ILEVEL SEAT INTERMEDIATE HARNESS	1
A6	MEC138637	BRACKET,STRAIN RELIEF,AM1	1
A7	VELDBLS1001	REUSABLE FASTENER,1/2"W X 8"L,HOOK & LOOP	1
A8	ELE1808585	HARNESS, LIGHT INTERFACE, EDGE MINI, REAR SEAT MODULE, W/LIFT	1
A9	ELE1704823	ELECTRONIC,ASSY,AFP W/MOUNTING BRACKET & HARDWARE,TB3,VERSION 2	1
A10	ELE146865	ELECTRONIC,SELF WRAPPING,5/8"D,10"L,SPLIT TUBULAR WOVEN SLEEVE,TECHFLEX(F6W0.63BK10)	1
A11	ELE153301	ELECTRICAL,ASSEMBLY,REAC LIFT BACK DRIVE PCBA & INPUT/OUTPUT HARNESS	1

Item	Part No.	Name	Qty
A1 - A10	ELE1905942	ELECTRONIC,ASSY,LAM2,TRU-BALANCE 3 POWER ADJUSTABLE SEAT LIFT & TILT,(CONFIGURATION # 24),Q6EDGE 3 STRETTO	1
A1	ELE151826	ELECTRONIC,ASSY,LAM2 MODULE,W/PROGRAMMING,TRUBALANCE,TILT/ELEVATE,(CONFIGURATION # 24)	1
A2	DWR1111H047	HARNESS,BUS CABLE,1.0 METER,FEMALE/FEMALE,H-1111-047,(CURTIS:17881302)	1
A3	SCRPPH1153	SCREW, PAN HEAD, TYPE H, M4X0.7 X 20, FT, ISO 7045, CL 4.8, BZ	2
A4	PLSTIE1004	TIE WRAP,BLACK,8"	5
A5	ELE145770	HARNESS,ILEVEL SEAT INTERMEDIATE HARNESS	1
A6	MEC138637	BRACKET,STRAIN RELIEF,AM1	1
A7	VELDBLS1001	REUSABLE FASTENER,1/2"W X 8"L,HOOK & LOOP	1
A8	ELE1808585	HARNESS, LIGHT INTERFACE, EDGE MINI, REAR SEAT MODULE, W/LIFT	1
A9	ELE146865	ELECTRONIC,SELF WRAPPING,5/8"D,10"L,SPLIT TUBULAR WOVEN SLEEVE,TECHFLEX(F6W0.63BK10)	1
A10	ELE153301	ELECTRICAL,ASSEMBLY,REAC LIFT BACK DRIVE PCBA & INPUT/OUTPUT HARNESS	1

Item	Part No.	Name	Qty
A1 - A10	ELE1905945	ELECTRONIC,ASSY,LAM2,TRU-BALANCE 3 ,POWER ADJUSTABLE SEAT LIFT & RECLINE,(CONFIGURATION # 14),Q6EDGE 3 STRETTO	1
A1	ELE151829	ELECTRONIC,ASSY,LAM2 MODULE,W/PROGRAMMING,TRUBALANCE,RECLINE/ELEVATE,(CONFIGURATION # 14)	1
A2	DWR1111H047	HARNESS,BUS CABLE,1.0 METER,FEMALE/FEMALE,H-1111-047,(CURTIS:17881302)	1
A3	SCRPPH1153	SCREW, PAN HEAD, TYPE H, M4X0.7 X 20, FT, ISO 7045, CL 4.8, BZ	2
A4	PLSTIE1004	TIE WRAP,BLACK,8"	5
A5	ELE145770	HARNESS,ILEVEL SEAT INTERMEDIATE HARNESS	1
A6	MEC138637	BRACKET,STRAIN RELIEF,AM1	1
A7	VELDBLS1001	REUSABLE FASTENER,1/2"W X 8"L,HOOK & LOOP	1
A8	ELE1808585	HARNESS, LIGHT INTERFACE, EDGE MINI, REAR SEAT MODULE, W/LIFT	1
A9	ELE146865	ELECTRONIC,SELF WRAPPING,5/8"D,10"L,SPLIT TUBULAR WOVEN SLEEVE,TECHFLEX(F6W0.63BK10)	1
A10	ELE153301	ELECTRICAL,ASSEMBLY,REAC LIFT BACK DRIVE PCBA & INPUT/OUTPUT HARNESS	1

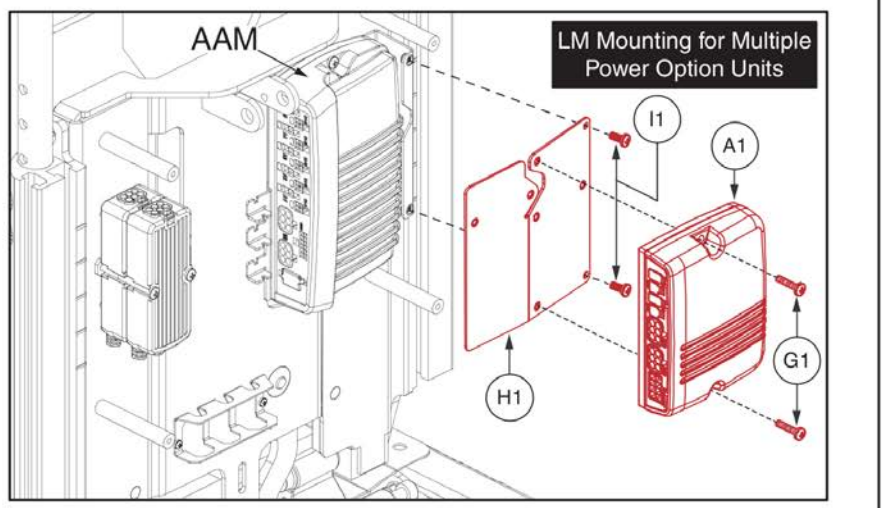
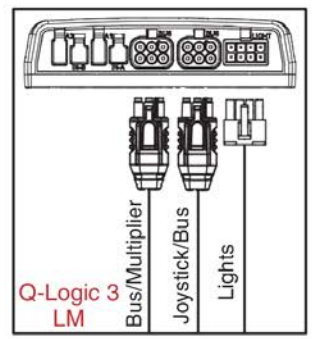
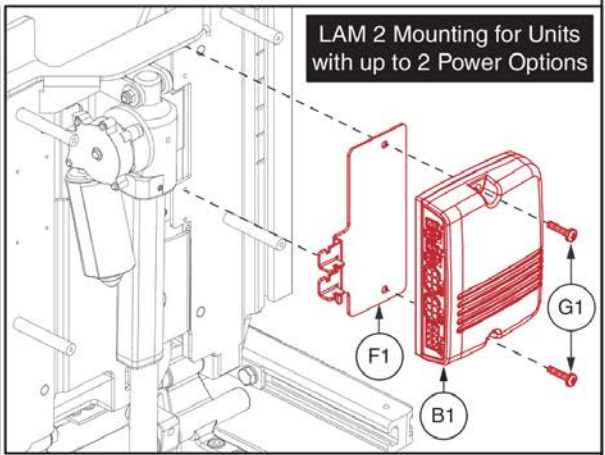
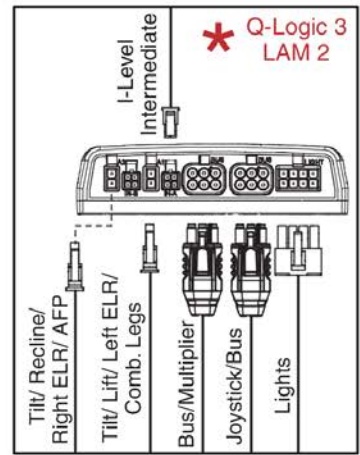
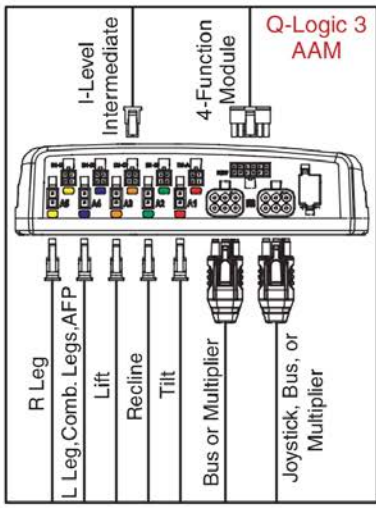
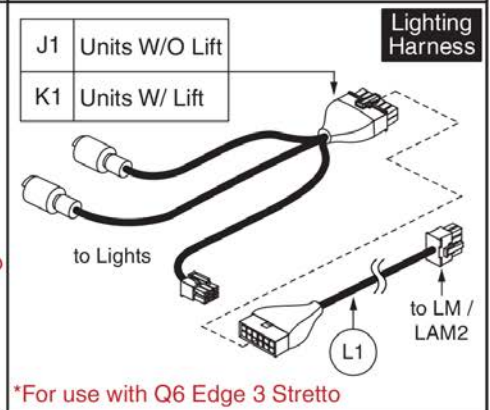
Lighting thru LM / LAM2, Q-Logic 3



*** Seating System Module (B1) replacement may require the selection of a Pre-programmed SD Card. ***

SD Card Replacement notes:

- It is recommended to replace the SD card when replacing any module to install the most up to date firmware on the unit.
- It is **REQUIRED** to replace the SD card when retrofitting a unit in the field to Q-Logic 3 electronics or any circumstance where all of the electronics modules require replacement.
- The Q-Logic 3 system will reprogram the unit based upon the information loaded onto the SD card.
- The proper, programmed SD card must be selected to ensure the unit functions as intended.
- SD Cards not shown. See SD Card page for selection.
- Contact Technical Service for more information.

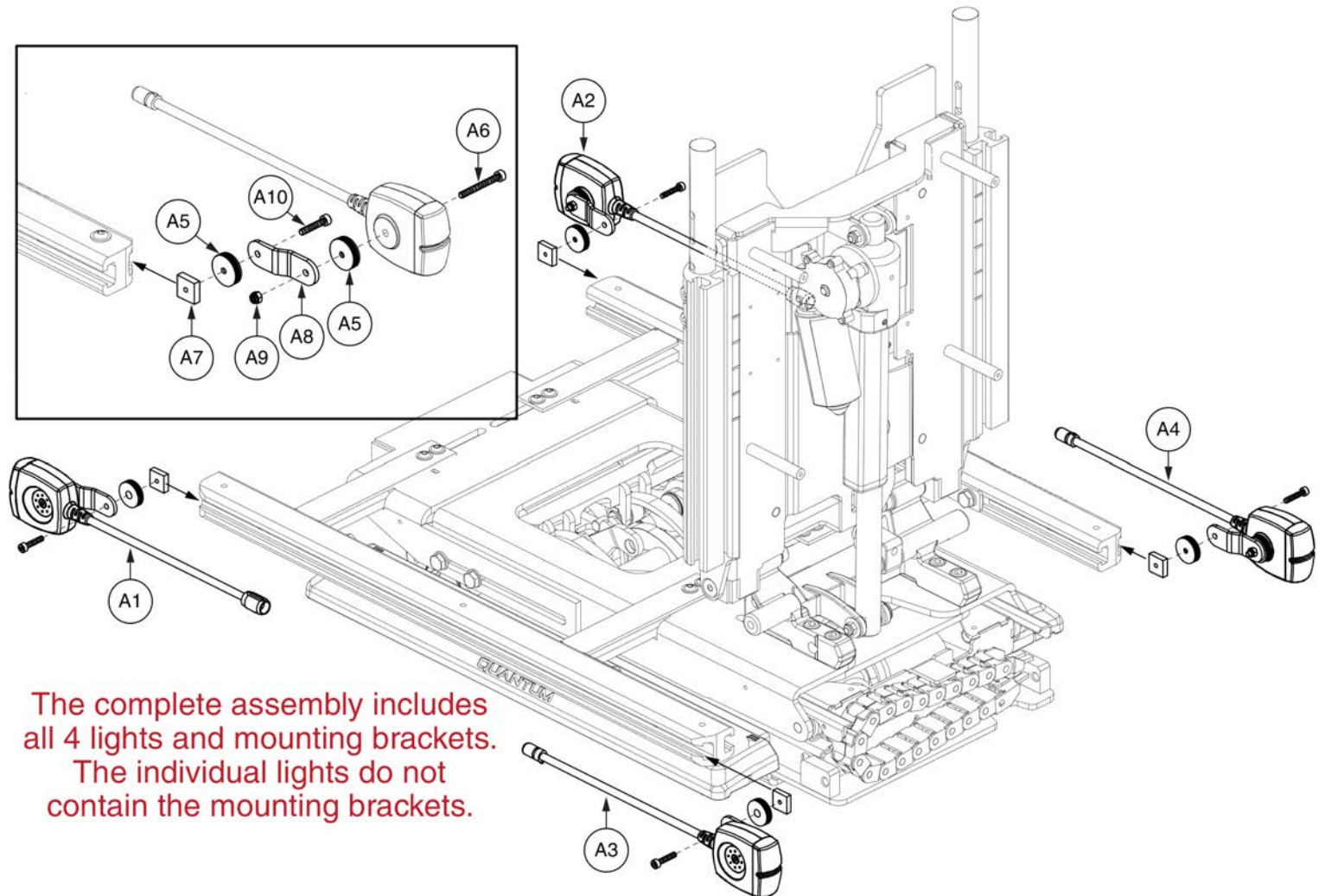


Q-Logic 3 Lighting Modules & Hardware



Item	Part No.	Name	Qty
A1	CTL143986	LIGHT MODULE,Q-LOGIC 3,LM,(CURTIS:17963700-0109)	1
B1	CTL143985	ACTUATOR MODULE,Q-LOGIC 3,LAM2,2 ACTUATOR AND LIGHTS,(CURTIS: 17963700-2109)	1
C1	HAR143994	HARNESS, BUS EXTENSION CABLE, Q-LOGIC 3, 0.3 METER, FEMALE/FEMALE, (CURTIS: 17881361-01-02)	1
D1	ELE168114	HARNESS, FULL LIGHT, LED, SEATING SYSTEM W/O LIFT, QL3	1
E1	ELE168113	HARNESS, FULL LIGHT, LED, SEATING SYSTEM W/LIFT, QL3	1
F1	MEC155983	AM STRAIN RELIEF, Q LOGIC 3	1
G1	SCRPPH1153	SCREW, PAN HEAD, TYPE H, M4X0.7 X 20, FT, ISO 7045, CL 4.8, BZ	2
H1	MEC162072	SPECIALTY CONTROLS SEATBACK BRACKET LID ASSEMBLY	1
I1	SCRPPH1163	SCREW, PAN HEAD, TYPE H, M4X0.7 X 10, FT, ISO 7045, CL 4.8, BZ	2
J1	ELE1808670	HARNESS,LIGHT INTERFACE,Q6 EDGE 3 STRETTO,REAR SEAT MODULE, W/O LIFT	1
K1	ELE1808585	HARNESS, LIGHT INTERFACE, EDGE MINI, REAR SEAT MODULE, W/LIFT	1
L1	ELE1808813	HARNESS, LIGHT MODULE INTERFACE, QL3, EDGE MINI	1

Seat Mounted Lights

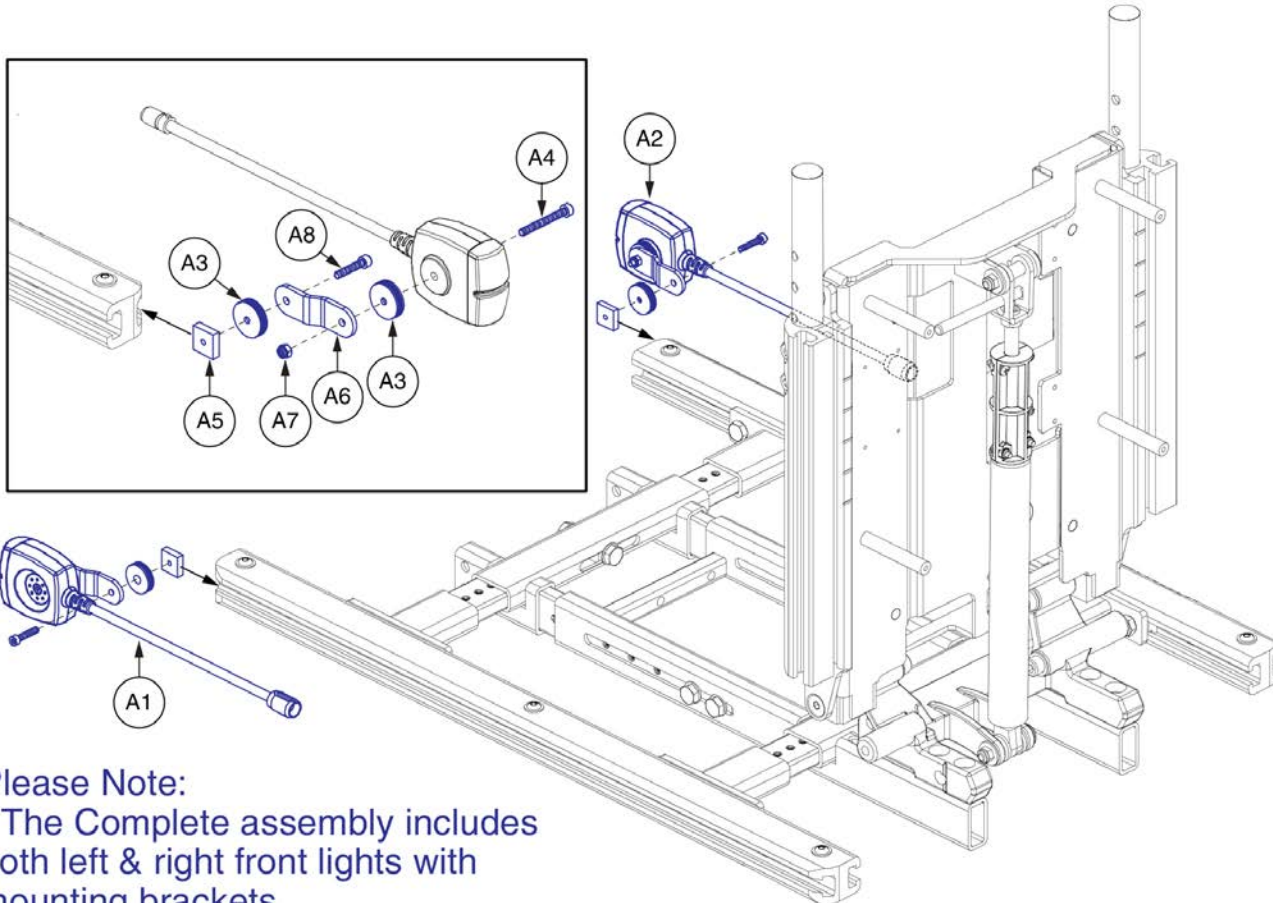


Standard Config. LED Light Assy, REAC Lift



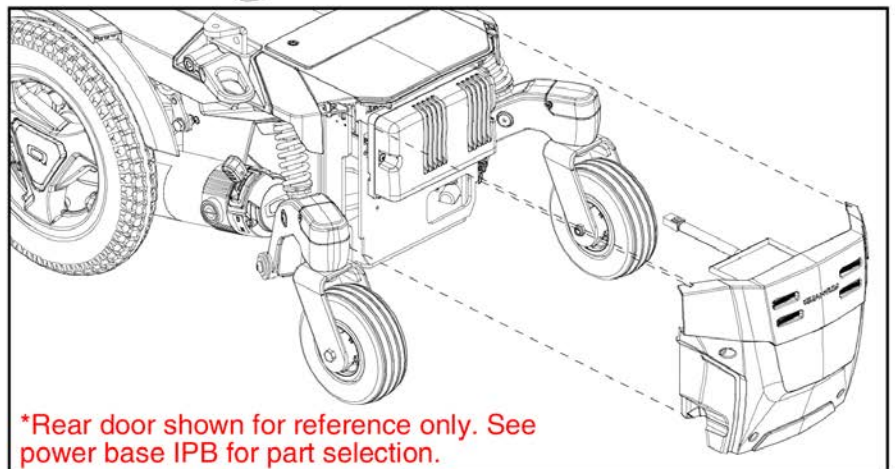
Item	Part No.	Name	Qty
A1 - A10	ELE131477	FULL LIGHT,ASSY,LED LIGHTS,TRU-BALANCE 3	1
A1	ELEASMB7120023	FULL LIGHT,ASSY,WHITE/AMBER,LED E-MARKED LIGHTS,SYNERGY,FRONT/LEFT,ELEASMB7120023	1
A2	ELEASMB7120024	FULL LIGHT,ASSY,WHITE/AMBER,LED LIGHTS,SYNERGY,FRONT/RIGHT,ELEASMB7120024	1
A3	ELEASMB7120025	LIGHT,ASSY,RED/AMBER,LED E-MARKED LIGHTS,SYNERGY,REAR/LEFT,ELEASMB7120025	1
A4	ELEASMB7120026	LIGHT,ASSY,RED/AMBER,LED E-MARKED LIGHTS,SYNERGY,REAR/RIGHT,ELEASMB7120026	1
A5	DWR1010B161	SPACER,BLACK,PLASTIC,0.157" ID X 0.866" OD X 0.22" TH,B-1010-161	8
A6	SCRSHCS1237	SCREW,SHCS,BLACK ZINC,M4-.7 X 35MM	4
A7	MEC121720	NUT,T-SLOT,M4 X 0.7,TRU-BALANCE 3	4
A8	MEC131475	LIGHT BRACKET,TRU-BALANCE 3	4
A9	NUTNYLK1065	NUT,NYLOCK,BLACK ZINC,M4-.7	4
A10	SCRSHCS1096	SCREW,SHCS,BLACK ZINC,M4-.7 X 20MM	4

Seat Mounted Lights



Please Note:

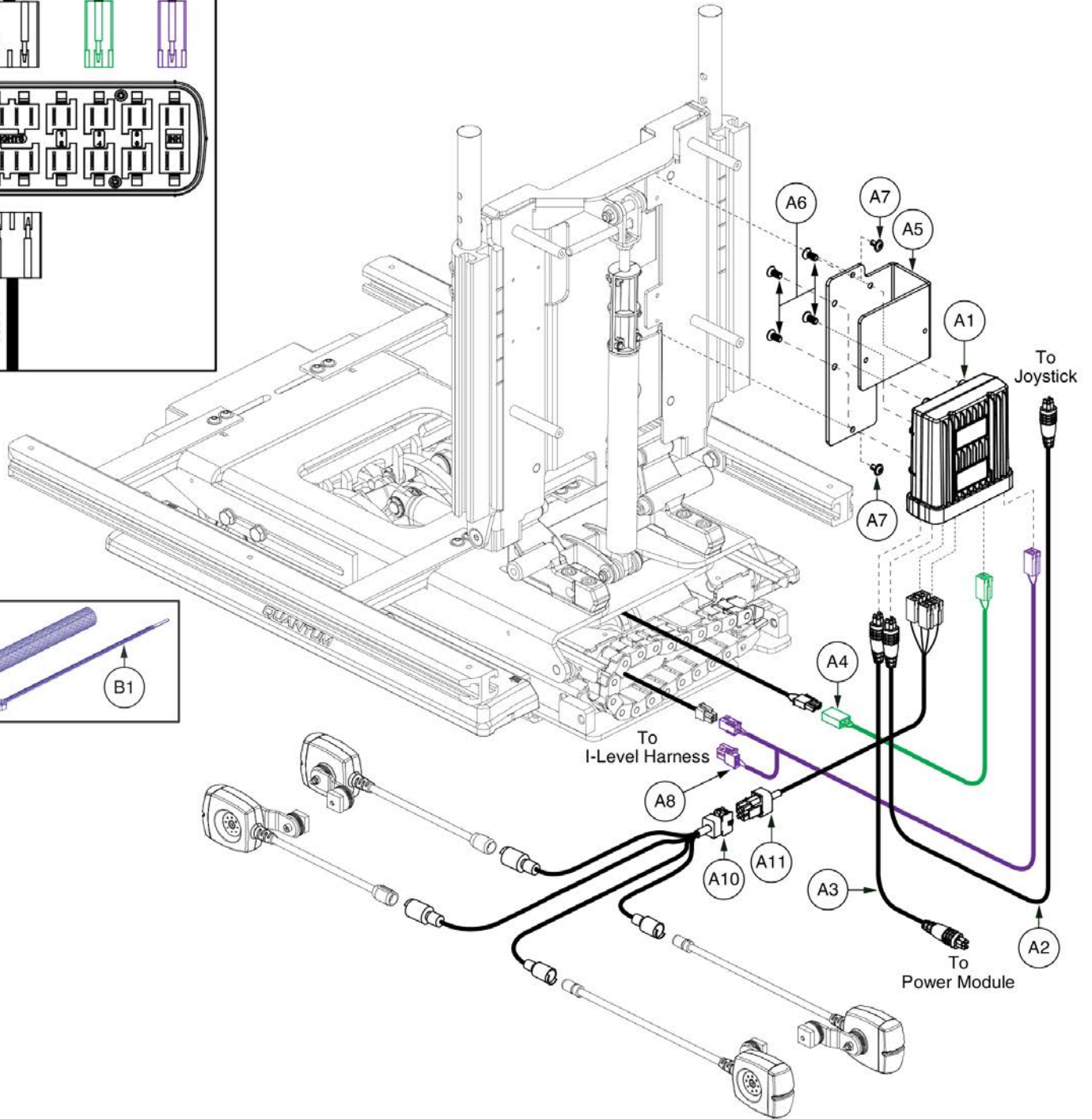
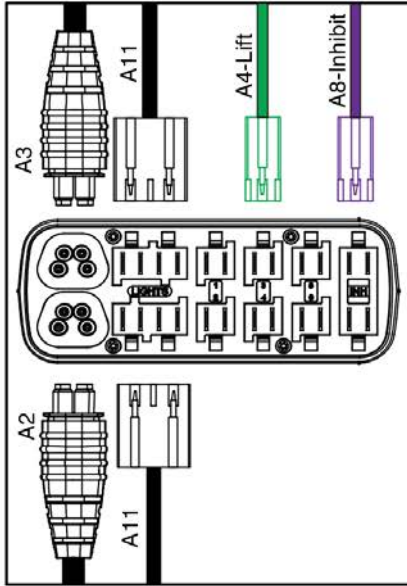
- The Complete assembly includes both left & right front lights with mounting brackets.
- The individual lights do not contain the mounting brackets.



Item	Part No.	Name	Qty
A1 - A8	ELE1905403	FULL LIGHT,ASSY,LED LIGHTS,TRU-BALANCE 3 / FLEX,Q6EDGE 3 STRETTO	1
A1	ELEASMB7120023	FULL LIGHT,ASSY,WHITE/AMBER,LED E-MARKED LIGHTS,SYNERGY,FRONT/LEFT,ELEASMB7120023	1
A2	ELEASMB7120024	FULL LIGHT,ASSY,WHITE/AMBER,LED LIGHTS,SYNERGY,FRONT/RIGHT,ELEASMB7120024	1
A3	DWR1010B161	SPACER,BLACK,PLASTIC,0.157" ID X 0.866" OD X 0.22" TH,B-1010-161	4
A4	SCRSHCS1237	SCREW,SHCS,BLACK ZINC,M4-.7 X 35MM	2
A5	MEC121720	NUT,T-SLOT,M4 X 0.7,TRU-BALANCE 3	2
A6	MEC131475	LIGHT BRACKET,TRU-BALANCE 3	2
A7	NUTNYLK1065	NUT,NYLOCK,BLACK ZINC,M4-.7	2
A8	SCRSHCS1096	SCREW,SHCS,BLACK ZINC,M4-.7 X 20MM	2

Lift Only, REAC Lift / I-Level

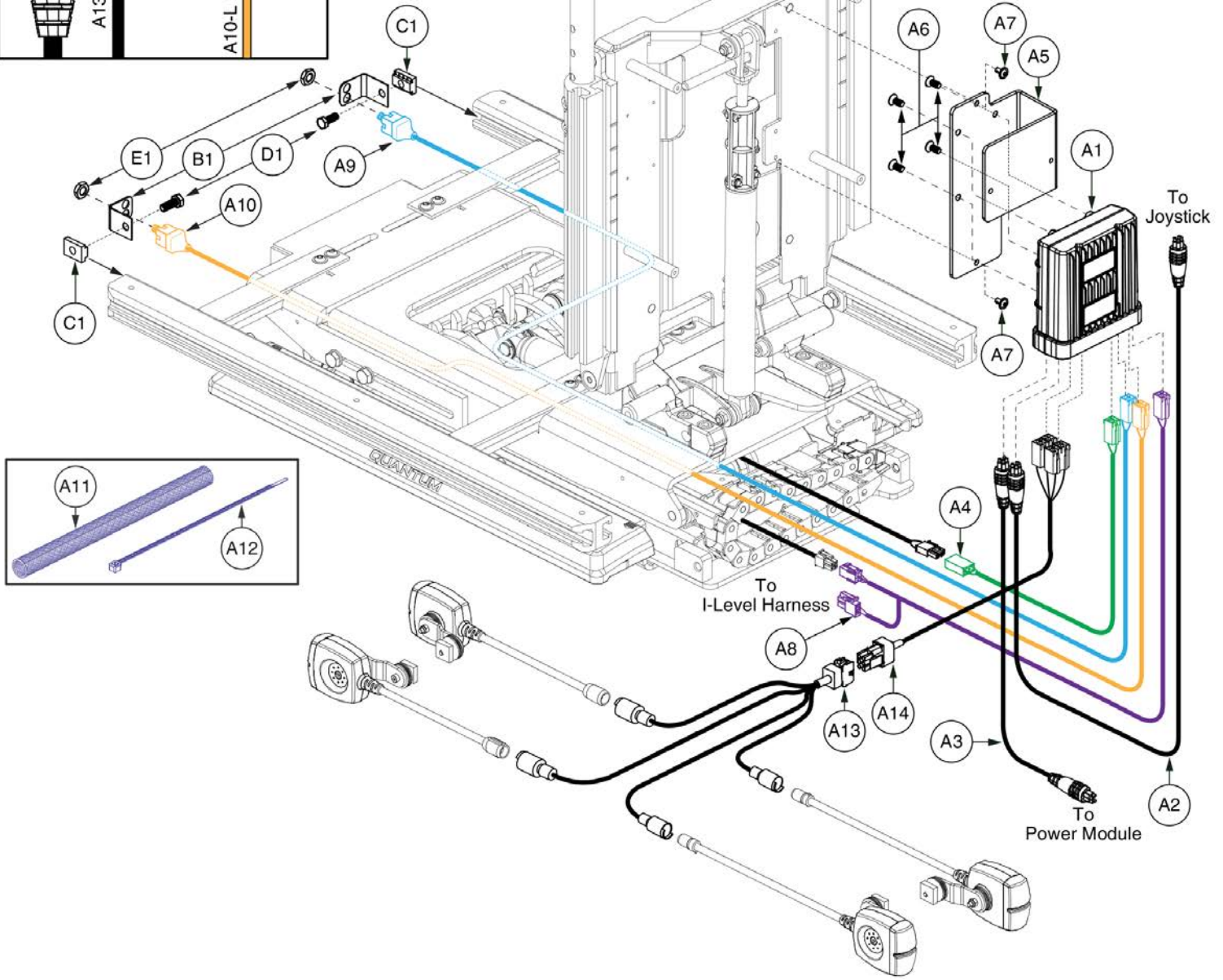
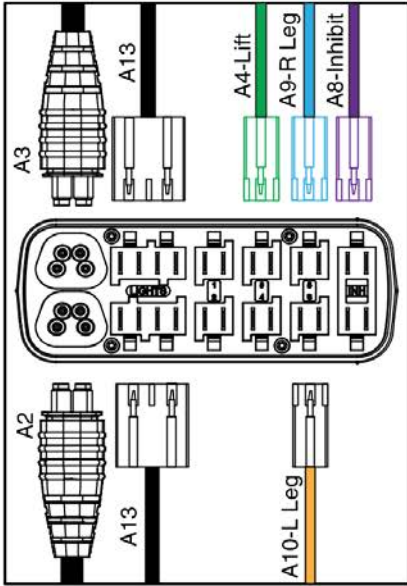
All harnesses from/to the powerbase and the lift system route through the wire conduit "chain".



Item	Part No.	Name	Qty
A1 - A11	ELE153231	ELECTRONIC,ASSY,R-NET,TB3 LIFT,W/LIGHTS	1
A1 - A9	ELE153045	ELECTRONIC,ASSY,R-NET,TB3 LIFT	1
A1	CTLDC1523	ELECTRONIC,MODULE,ISM,ACTUATOR AND LIGHTING,H-1111-117	1
A2	DWR1111H565	ELECTRONIC,HARNESS,BUS CABLE,0.5 METER,MALE/MALE,R-NET	1
A3	DWR1111H567	ELECTRONIC,HARNESS,BUS CABLE,1.0 METER,MALE/MALE,R-NET	1
A4	ELE136088	ELECTRONIC,HARNESS,R-NET ACTUATOR INTERFACE,MOLEX/INTECH	1
A5	MEC138354	BRACKET,R-NET ISM-L,TRU-BALANCE 3	1
A6	SCRSHFH1015	SCREW,SHFH,BLACK ZINC,M5-.8 X 12MM,GRADE 10.9	4
A7	HDW123677	SCREW,FLANGED BUTTON HEAD, M4X0.7 X 10, ISO 7380-2, CL 10.9, BZ, PVTP	2
A8	ELE147121	HARNESS,ILEVEL SEAT INTERMEDIATE HARNESS R-NET	1
A9	ELE146865	ELECTRONIC,SELF WRAPPING,5/8"D,10"L,SPLIT TUBULAR WOVEN SLEEVE,TECHFLEX(F6W0.63BK10)	1
A10	DWR1010H135	ELECTRONIC,HARNESS,FULL LIGHT,LED,EURO/SYNERGY	1
A11	DWR1010H145	ELECTRONIC,HARNESS,FULL LIGHT,R-NET,H-1010-145	1
B1	PLSTIE1004	TIE WRAP,BLACK,8"	5

Lift Only, REAC Lift / I-Level

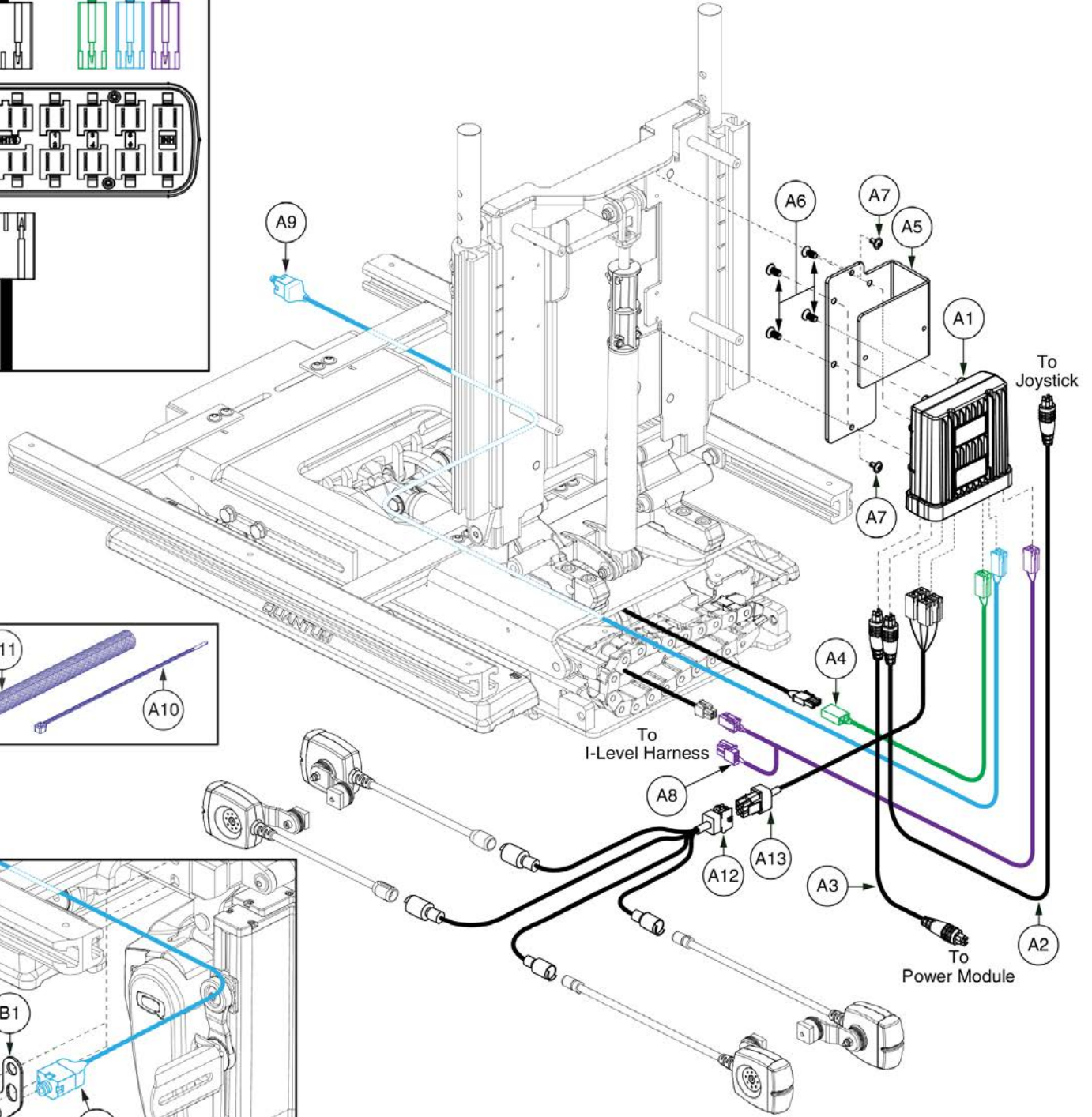
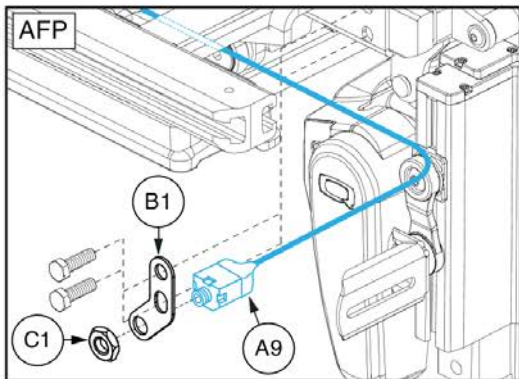
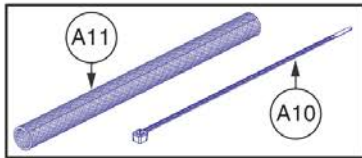
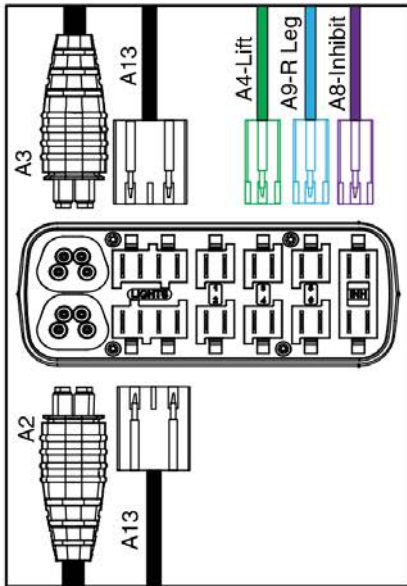
All harnesses from/to the powerbase and the lift system route through the wire conduit "chain".



Item	Part No.	Name	Qty
A1 - A14	ELE153230	ELECTRONIC,ASSY,R-NET,POWER LEGS,TB3 LIFT,W/LIGHTS	1
A1 - A12	ELE153046	ELECTRONIC,ASSY,R-NET,POWER LEGS,TB3 LIFT	1
A1	CTLDC1523	ELECTRONIC,MODULE,ISM,ACTUATOR AND LIGHTING,H-1111-117	1
A2	DWR1111H565	ELECTRONIC,HARNESS,BUS CABLE,0.5 METER,MALE/MALE,R-NET	1
A3	DWR1111H567	ELECTRONIC,HARNESS,BUS CABLE,1.0 METER,MALE/MALE,R-NET	1
A4	ELE136088	ELECTRONIC,HARNESS,R-NET ACTUATOR INTERFACE,MOLEX/INTECH	1
A5	MEC138354	BRACKET,R-NET ISM-L,TRU-BALANCE 3	1
A6	SCRSHFH1015	SCREW,SHFH,BLACK ZINC,M5-.8 X 12MM,GRADE 10.9	4
A7	HDW123677	SCREW,FLANGED BUTTON HEAD, M4X0.7 X 10, ISO 7380-2, CL 10.9, BZ, PVTP	2
A8	ELE147121	HARNESS,ILEVEL SEAT INTERMEDIATE HARNESS R-NET	1
A9	DWR1265H077	ELECTRONIC,HARNESS,R-NET,ELR ACTUATOR HARNESS,RIGHT	1
A10	DWR1265H078	ELECTRONIC,HARNESS,R-NET,ELR ACTUATOR HARNESS,LEFT	1
A11	ELE146865	ELECTRONIC,SELF WRAPPING,5/8"D,10"L,SPLIT TUBULAR WOVEN SLEEVE,TECHFLEX(F6W0.63BK10)	1
A12	PLSTIE1004	TIE WRAP,BLACK,8"	5
A13	DWR1010H135	ELECTRONIC,HARNESS,FULL LIGHT,LED,EURO/SYNERGY	1
A14	DWR1010H145	ELECTRONIC,HARNESS,FULL LIGHT,R-NET,H-1010-145	1
B1	DWR1303B026	ELECTRICAL CONNECTION BRACKET,ARTICULATING LEGREST	2
C1	NUT8120005	NUT,T-SLOT,BLACK,M8-1.25	2
D1	SCRHHCS1382	SCREW,HHCS,BLACK ZINC CHROMATE,M8-1.25 X 12MM,10.9	2
E1	NUTJAM1032	NUT,JAM,THIN,STAINLESS STEEL,3/8-32	2

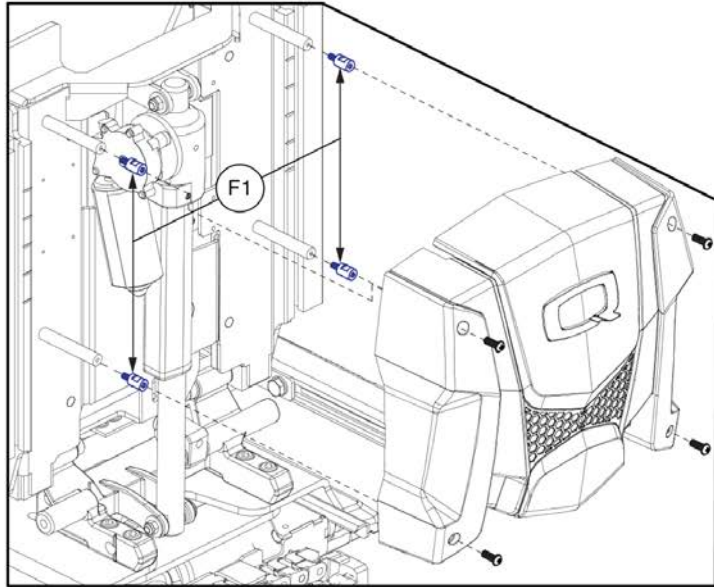
Lift Only, REAC Lift / I-Level

All harnesses from/to the powerbase and the lift system route through the wire conduit "chain".

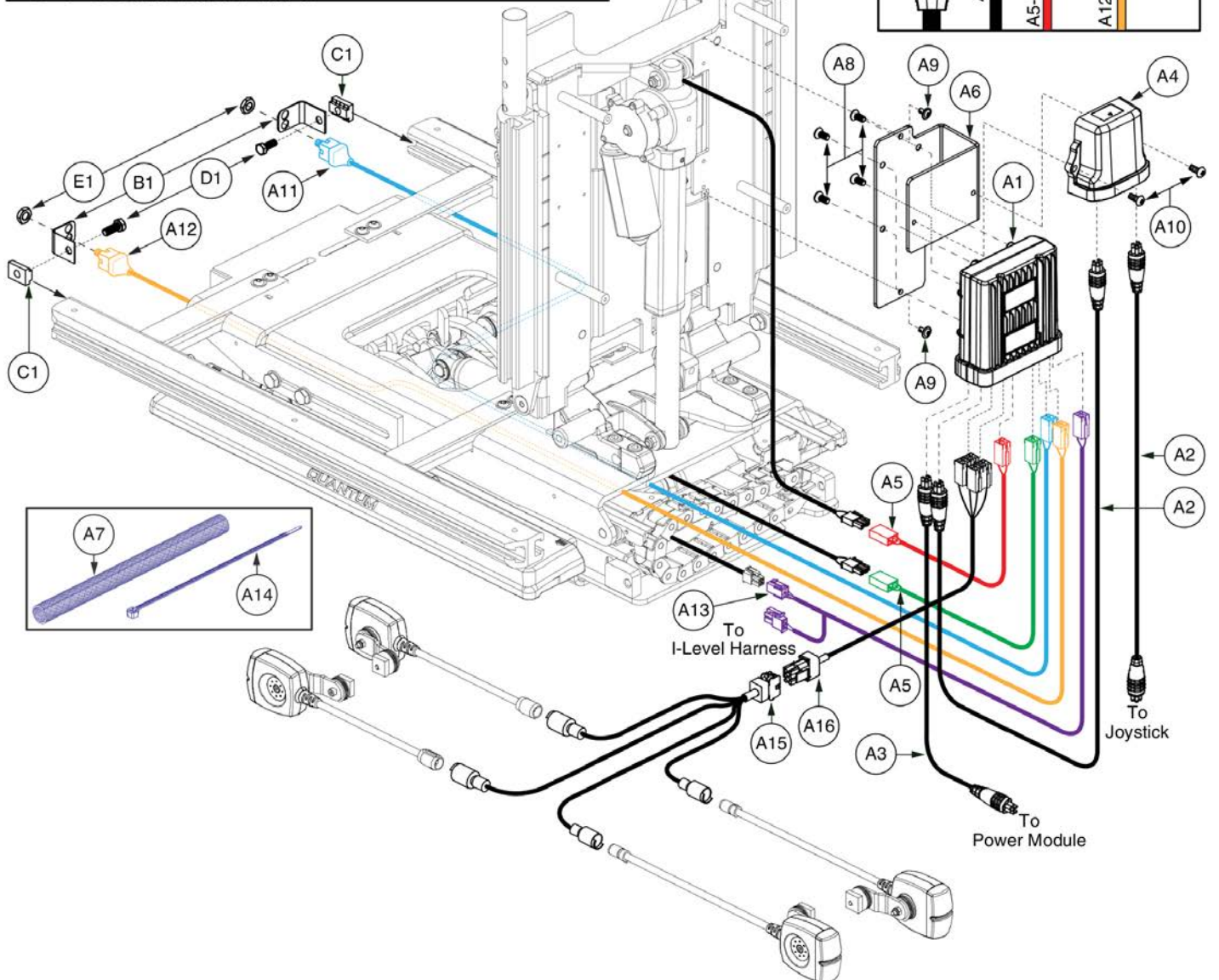
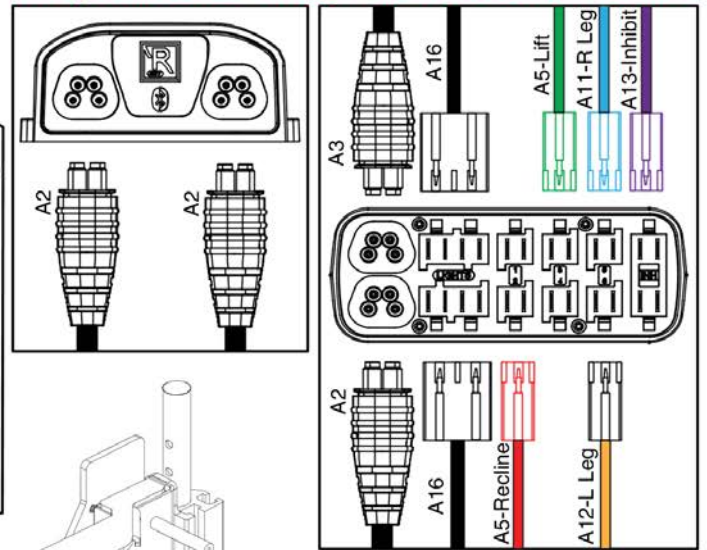


Item	Part No.	Name	Qty
A1 - A13	ELE153232	ELECTRONIC,ASSY,R-NET,W/POWER AFP,TB3 LIFT,W/LIGHTS	1
A1 - A11	ELE153047	ELECTRONIC,ASSY,R-NET,W/POWER AFP,TB3 LIFT	1
A1	CTLDC1523	ELECTRONIC,MODULE,ISM,ACTUATOR AND LIGHTING,H-1111-117	1
A2	DWR1111H565	ELECTRONIC,HARNESS,BUS CABLE,0.5 METER,MALE/MALE,R-NET	1
A3	DWR1111H567	ELECTRONIC,HARNESS,BUS CABLE,1.0 METER,MALE/MALE,R-NET	1
A4	ELE136088	ELECTRONIC,HARNESS,R-NET ACTUATOR INTERFACE,MOLEX/INTECH	1
A5	MEC138354	BRACKET,R-NET ISM-L,TRU-BALANCE 3	1
A6	SCRSHFH1015	SCREW,SHFH,BLACK ZINC,M5-.8 X 12MM,GRADE 10.9	4
A7	HDW123677	SCREW,FLANGED BUTTON HEAD, M4X0.7 X 10, ISO 7380-2, CL 10.9, BZ, PVTP	2
A8	ELE147121	HARNESS,ILEVEL SEAT INTERMEDIATE HARNESS R-NET	1
A9	DWR1265H077	ELECTRONIC,HARNESS,R-NET,ELR ACTUATOR HARNESS,RIGHT	1
A10	PLSTIE1004	TIE WRAP,BLACK,8"	5
A11	ELE146865	ELECTRONIC,SELF WRAPPING,5/8"D,10"L,SPLIT TUBULAR WOVEN SLEEVE,TECHFLEX(F6W0.63BK10)	1
A12	DWR1010H135	ELECTRONIC,HARNESS,FULL LIGHT,LED,EURO/SYNERGY	1
A13	DWR1010H145	ELECTRONIC,HARNESS,FULL LIGHT,R-NET,H-1010-145	1
B1	MEC130241	ELECTRICAL CONNECTION BRACKET,AFP,TB3	1
C1	NUTJAM1032	NUT,JAM,THIN,STAINLESS STEEL,3/8-32	1

Lift & Recline, REAC Lift / I-Level

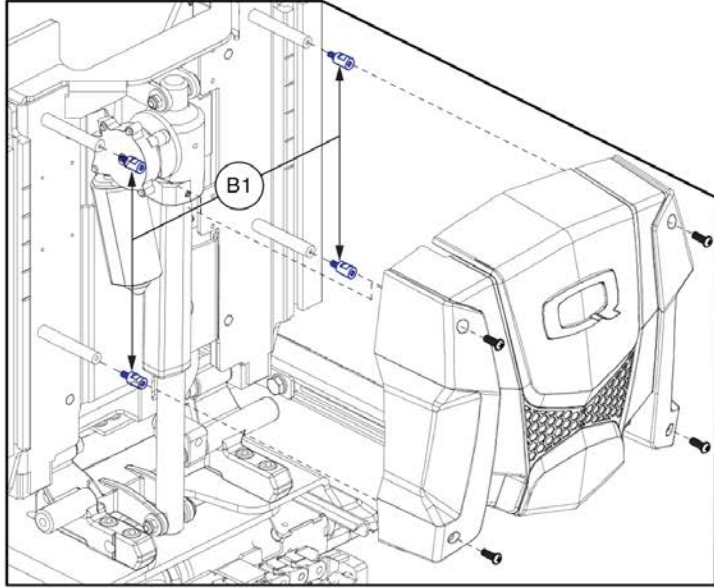


All harnesses from/to the powerbase and the lift system route through the wire conduit "chain".

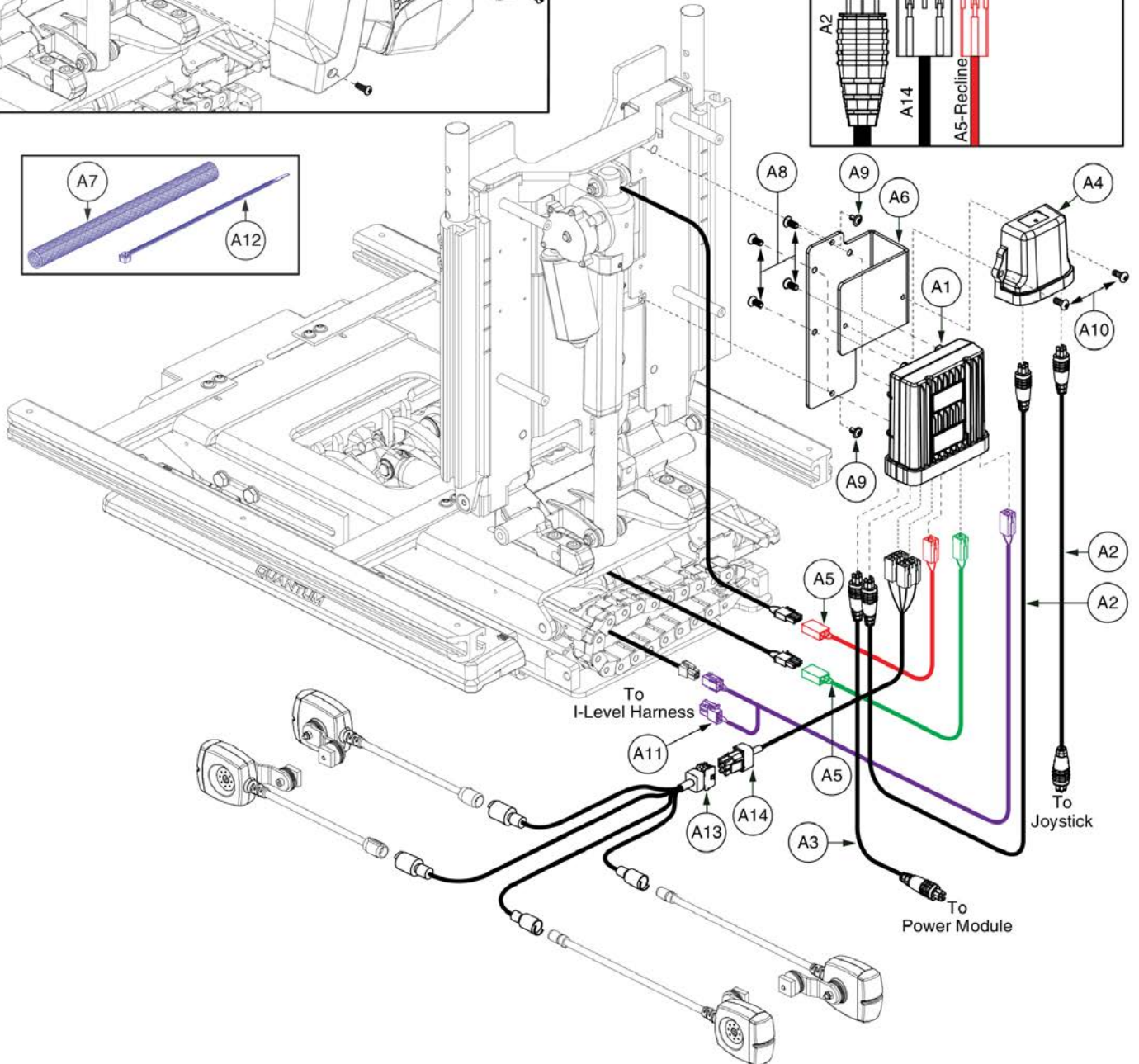
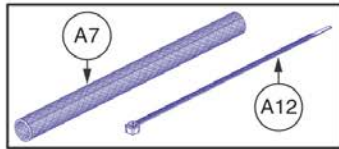
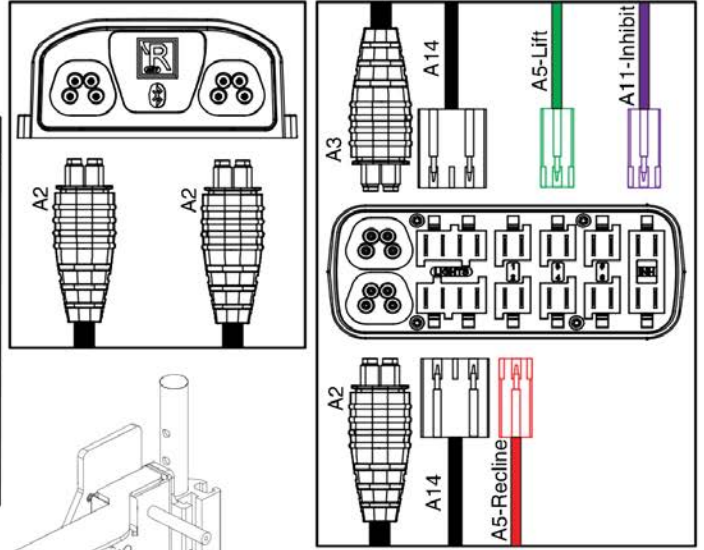


Item	Part No.	Name	Qty
A1 - A16	ELE153042	ELECTRONIC,ASSY,R-NET,W/POWER LEGS,TB3 LIFT & RECLINE,W/LIGHTS	1
A1 - A14	ELE153056	ELECTRONIC,ASSY,R-NET,W/POWER LEGS,TB3 LIFT & RECLINE	1
A1	CTLDC1523	ELECTRONIC,MODULE,ISM,ACTUATOR AND LIGHTING,H-1111-117	1
A2	DWR1111H565	ELECTRONIC,HARNESS,BUS CABLE,0.5 METER,MALE/MALE,R-NET	2
A3	DWR1111H567	ELECTRONIC,HARNESS,BUS CABLE,1.0 METER,MALE/MALE,R-NET	1
A4	CTL137838	R-NET TILT/ASM MODULE (D51508)	1
A5	ELE136088	ELECTRONIC,HARNESS,R-NET ACTUATOR INTERFACE,MOLEX/INTECH	2
A6	MEC138354	BRACKET,R-NET ISM-L,TRU-BALANCE 3	1
A7	ELE146865	ELECTRONIC,SELF WRAPPING,5/8"D,10"L,SPLIT TUBULAR WOVEN SLEEVE,TECHFLEX(F6W0.63BK10)	1
A8	SCRSHFH1015	SCREW,SHFH,BLACK ZINC,M5-.8 X 12MM,GRADE 10.9	4
A9	HDW123677	SCREW,FLANGED BUTTON HEAD, M4X0.7 X 10, ISO 7380-2, CL 10.9, BZ, PVTP	2
A10	HDW125022	SCREW,BHSCS,BLACK ZINC,M5-.8 X 12MM,W/NYLON PATCH	2
A11	DWR1265H077	ELECTRONIC,HARNESS,R-NET,ELR ACTUATOR HARNESS,RIGHT	1
A12	DWR1265H078	ELECTRONIC,HARNESS,R-NET,ELR ACTUATOR HARNESS,LEFT	1
A13	ELE147121	HARNESS,ILEVEL SEAT INTERMEDIATE HARNESS R-NET	1
A14	PLSTIE1004	TIE WRAP,BLACK,8"	5
A15	DWR1010H135	ELECTRONIC,HARNESS,FULL LIGHT,LED,EURO/SYNERGY	1
A16	DWR1010H145	ELECTRONIC,HARNESS,FULL LIGHT,R-NET,H-1010-145	1
B1	DWR1303B026	ELECTRICAL CONNECTION BRACKET,ARTICULATING LEGREST	2
C1	NUT8120005	NUT,T-SLOT,BLACK,M8-1.25	2
D1	SCRHHCS1382	SCREW,HHCS,BLACK ZINC CHROMATE,M8-1.25 X 12MM,10.9	2
E1	NUTJAM1032	NUT,JAM,THIN,STAINLESS STEEL,3/8-32	2
F1	HDW131337	STANDOFF,MALE-FEMALE,M4-0.7 X 15MM	4

Lift & Recline, REAC Lift / I-Level



All harnesses from/to the powerbase and the lift system route through the wire conduit "chain".



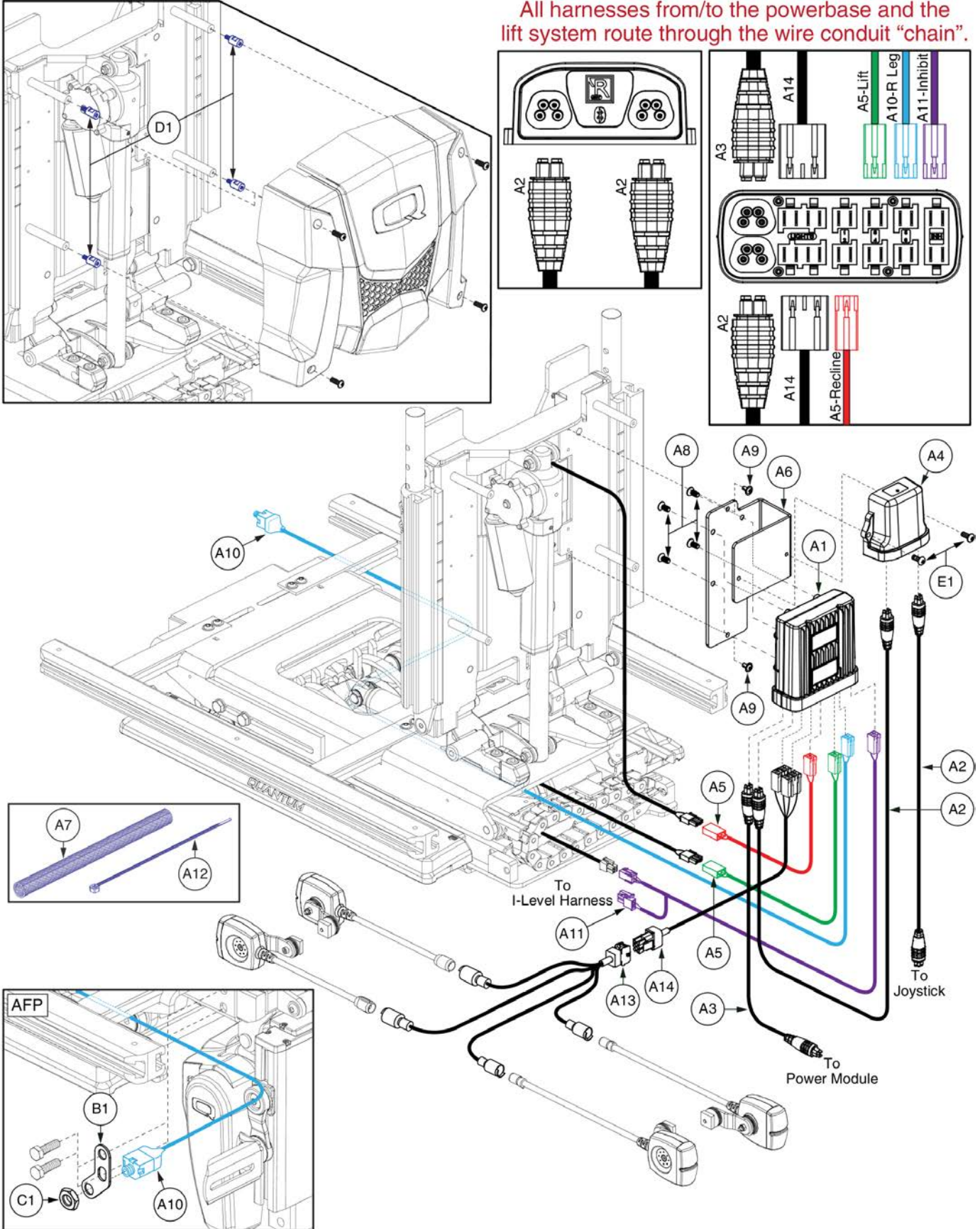
R-Net Lift & Recline, REAC Lift / I-Level



Item	Part No.	Name	Qty
A1 - A14	ELE153041	ELECTRONIC,ASSY,R-NET,TB3 LIFT & RECLINE,W/LIGHTS	1
A1 - A12	ELE153055	ELECTRONIC,ASSY,R-NET,TB3 LIFT & RECLINE	1
A1	CTLDC1523	ELECTRONIC,MODULE,ISM,ACTUATOR AND LIGHTING,H-1111-117	1
A2	DWR1111H565	ELECTRONIC,HARNESS,BUS CABLE,0.5 METER,MALE/MALE,R-NET	2
A3	DWR1111H567	ELECTRONIC,HARNESS,BUS CABLE,1.0 METER,MALE/MALE,R-NET	1
A4	CTL137838	R-NET TILT/ASM MODULE (D51508)	1
A5	ELE136088	ELECTRONIC,HARNESS,R-NET ACTUATOR INTERFACE,MOLEX/INTECH	2
A6	MEC138354	BRACKET,R-NET ISM-L,TRU-BALANCE 3	1
A7	ELE146865	ELECTRONIC,SELF WRAPPING,5/8"D,10"L,SPLIT TUBULAR WOVEN SLEEVE,TECHFLEX(F6W0.63BK10)	1
A8	SCRSHFH1015	SCREW,SHFH,BLACK ZINC,M5-.8 X 12MM,GRADE 10.9	4
A9	HDW123677	SCREW,FLANGED BUTTON HEAD, M4X0.7 X 10, ISO 7380-2, CL 10.9, BZ, PVTP	2
A10	HDW125022	SCREW,BHSCS,BLACK ZINC,M5-.8 X 12MM,W/NYLON PATCH	2
A11	ELE147121	HARNESS,ILEVEL SEAT INTERMEDIATE HARNESS R-NET	1
A12	PLSTIE1004	TIE WRAP,BLACK,8"	5
A13	DWR1010H135	ELECTRONIC,HARNESS,FULL LIGHT,LED,EURO/SYNERGY	1
A14	DWR1010H145	ELECTRONIC,HARNESS,FULL LIGHT,R-NET,H-1010-145	1
B1	HDW131337	STANDOFF,MALE-FEMALE,M4-0.7 X 15MM	4

Lift & Recline, REAC Lift / I-Level

All harnesses from/to the powerbase and the lift system route through the wire conduit "chain".



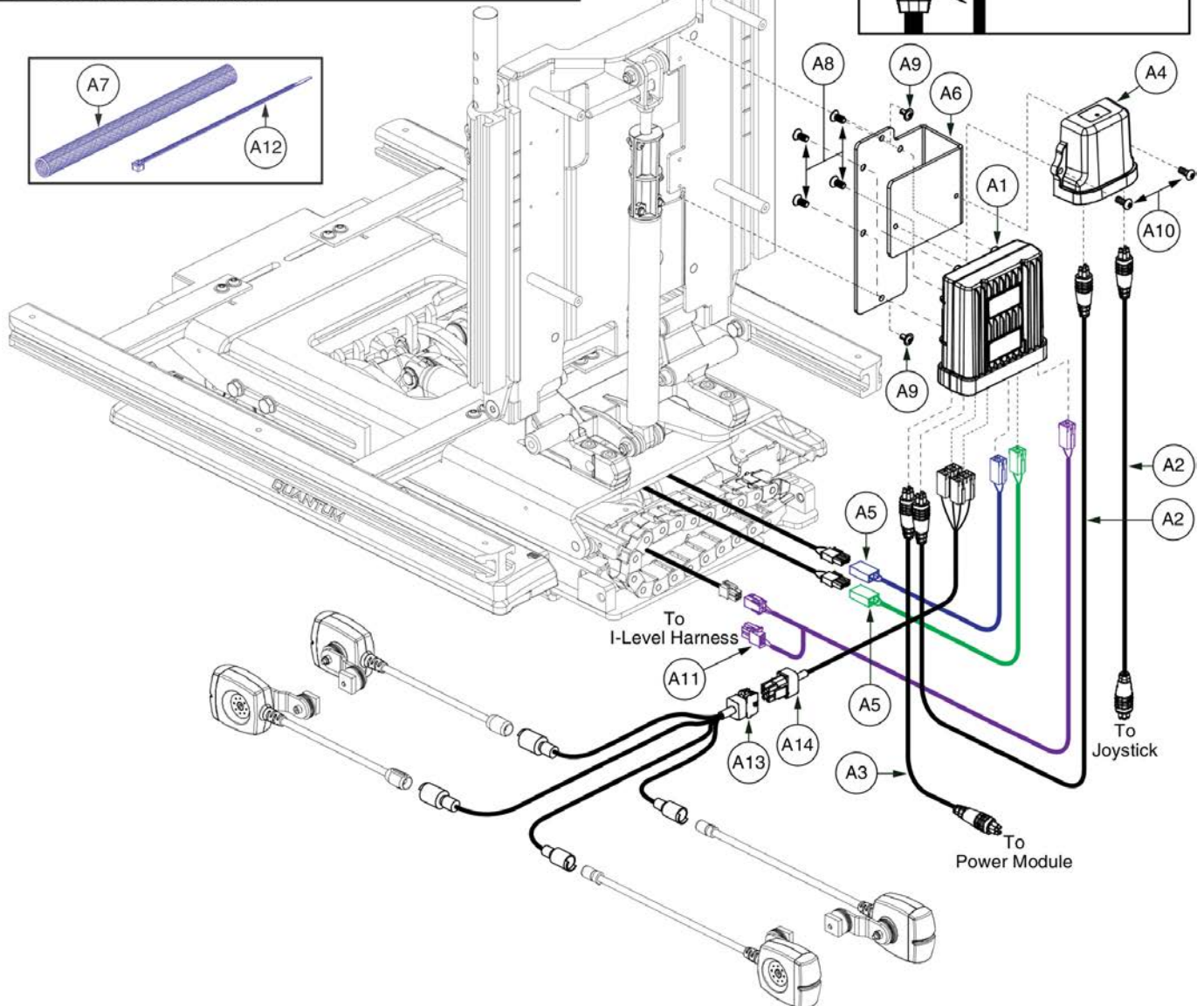
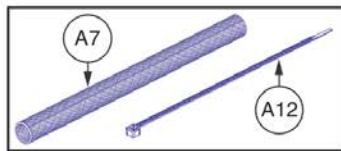
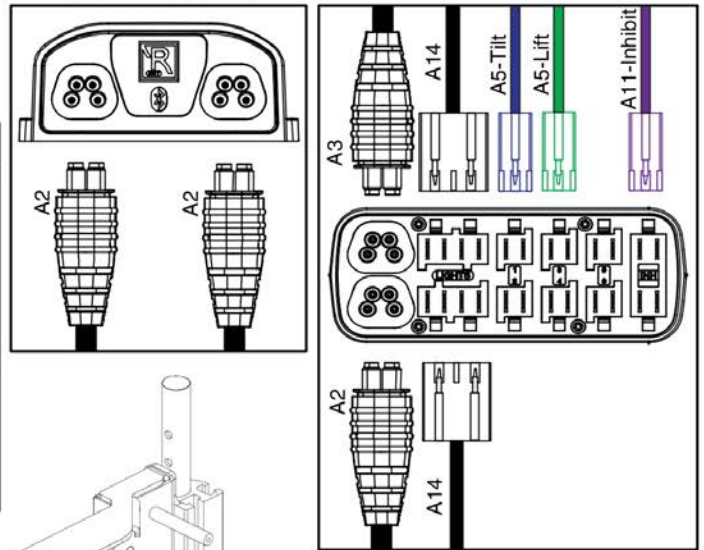
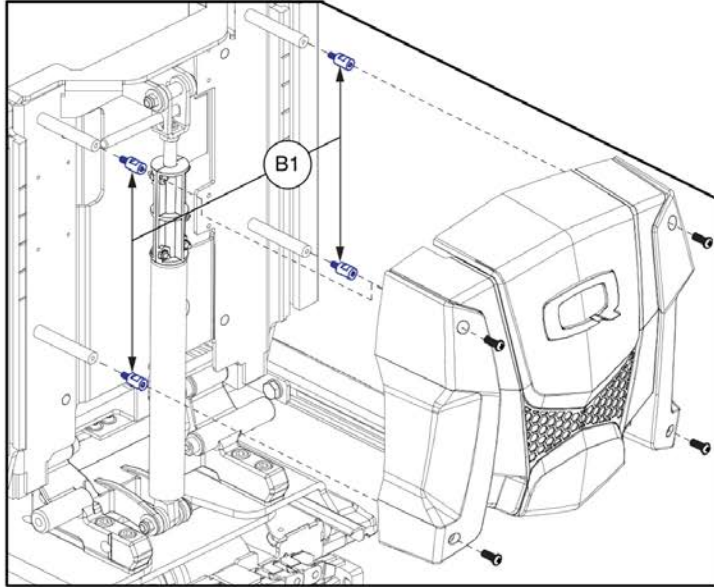
R-Net Lift & Recline w/AFP, REAC Lift / I-Level



Item	Part No.	Name	Qty
A1 - A14	ELE153043	ELECTRONIC,ASSY,R-NET,W/AFP,TB3 LIFT & RECLINE,W/LIGHTS	1
A1 - A12	ELE153057	ELECTRONIC,ASSY,R-NET,W/AFP,TB3 LIFT & RECLINE	1
A1	CTLDC1523	ELECTRONIC,MODULE,ISM,ACTUATOR AND LIGHTING,H-1111-117	1
A2	DWR1111H565	ELECTRONIC,HARNESS,BUS CABLE,0.5 METER,MALE/MALE,R-NET	2
A3	DWR1111H567	ELECTRONIC,HARNESS,BUS CABLE,1.0 METER,MALE/MALE,R-NET	1
A4	CTL137838	R-NET TILT/ASM MODULE (D51508)	1
A5	ELE136088	ELECTRONIC,HARNESS,R-NET ACTUATOR INTERFACE,MOLEX/INTECH	2
A6	MEC138354	BRACKET,R-NET ISM-L,TRU-BALANCE 3	1
A7	ELE146865	ELECTRONIC,SELF WRAPPING,5/8"D,10"L,SPLIT TUBULAR WOVEN SLEEVE,TECHFLEX(F6W0.63BK10)	1
A8	SCRSHFH1015	SCREW,SHFH,BLACK ZINC,M5-.8 X 12MM,GRADE 10.9	4
A9	HDW123677	SCREW,FLANGED BUTTON HEAD, M4X0.7 X 10, ISO 7380-2, CL 10.9, BZ, PVTP	2
A10	DWR1265H077	ELECTRONIC,HARNESS,R-NET,ELR ACTUATOR HARNESS,RIGHT	1
A11	ELE147121	HARNESS,ILEVEL SEAT INTERMEDIATE HARNESS R-NET	1
A12	PLSTIE1004	TIE WRAP,BLACK,8"	5
A13	DWR1010H135	ELECTRONIC,HARNESS,FULL LIGHT,LED,EURO/SYNERGY	1
A14	DWR1010H145	ELECTRONIC,HARNESS,FULL LIGHT,R-NET,H-1010-145	1
B1	MEC130241	ELECTRICAL CONNECTION BRACKET,AFP,TB3	1
C1	NUTJAM1032	NUT,JAM,THIN,STAINLESS STEEL,3/8-32	1
D1	HDW131337	STANDOFF,MALE-FEMALE,M4-0.7 X 15MM	4
E1	HDW125022	SCREW,BHSCS,BLACK ZINC,M5-.8 X 12MM,W/NYLON PATCH	2

Lift & Tilt, REAC Lift / I-Level

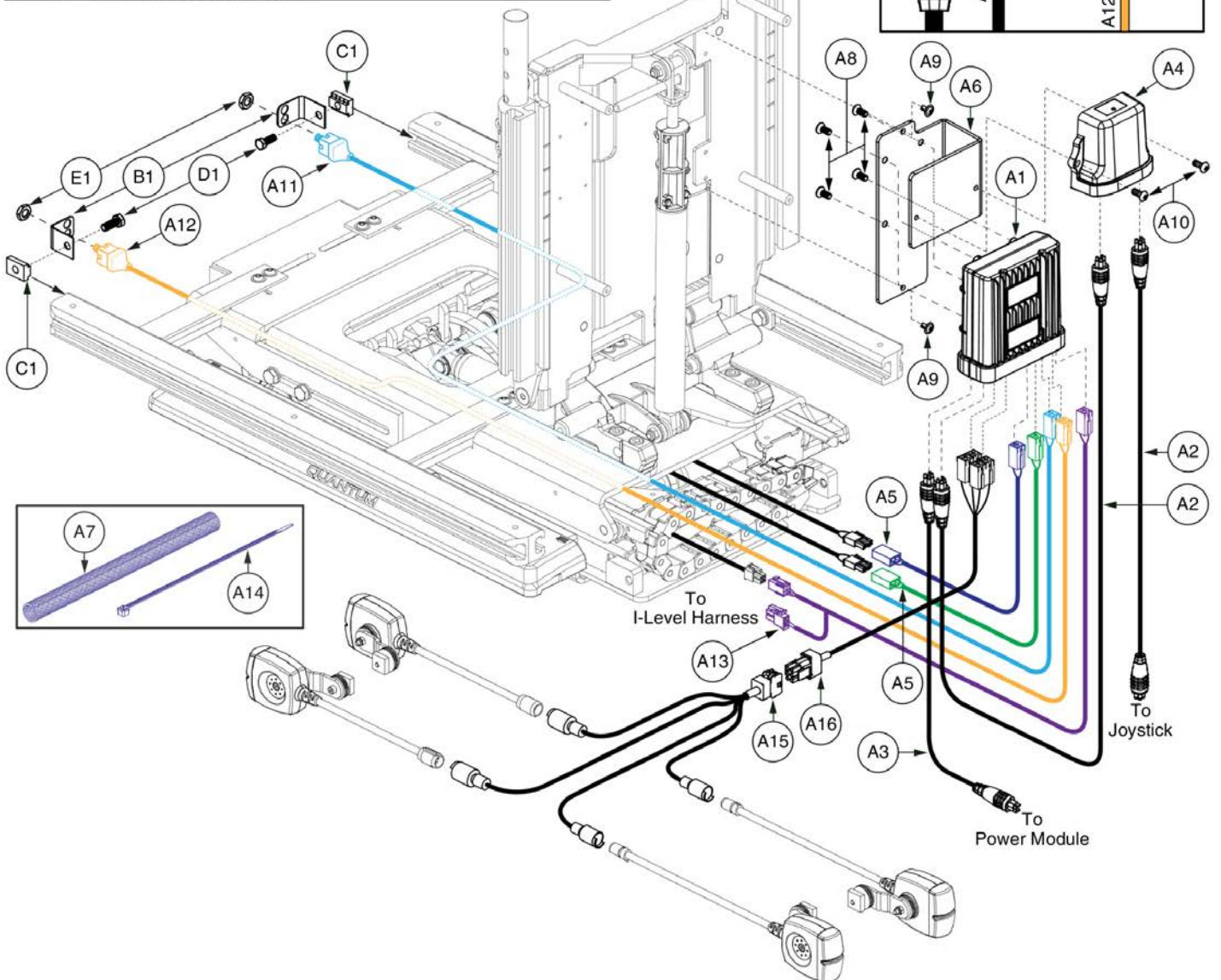
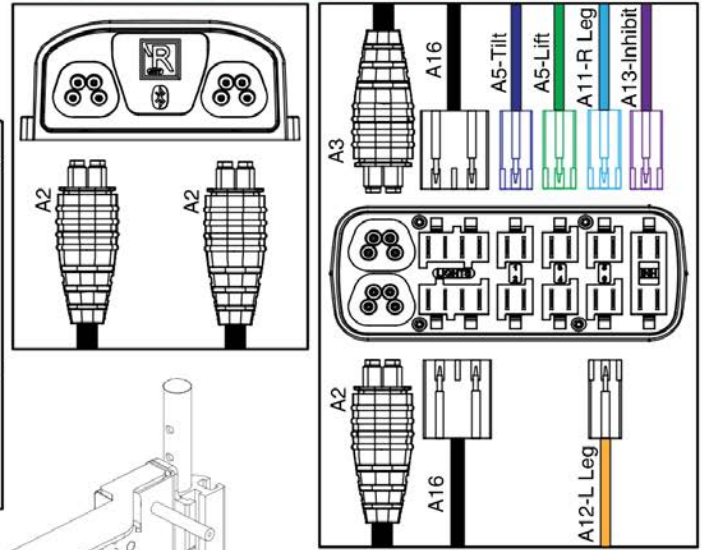
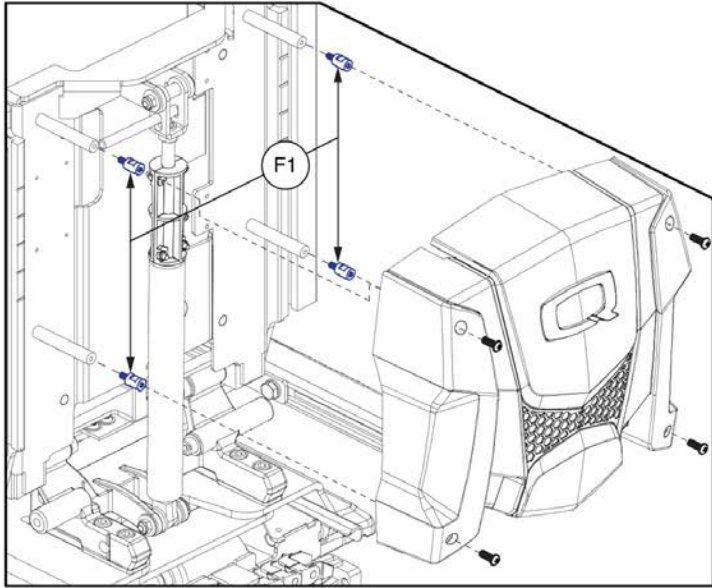
All harnesses from/to the powerbase and the lift system route through the wire conduit "chain".



Item	Part No.	Name	Qty
A1 - A14	ELE153035	ELECTRONIC,ASSY,R-NET,TB3 LIFT & TILT,W/LIGHTS	1
A1 - A12	ELE153048	ELECTRONIC,ASSY,R-NET,TB3 LIFT & TILT	1
A1	CTLDC1523	ELECTRONIC,MODULE,ISM,ACTUATOR AND LIGHTING,H-1111-117	1
A2	DWR1111H565	ELECTRONIC,HARNESS,BUS CABLE,0.5 METER,MALE/MALE,R-NET	2
A3	DWR1111H567	ELECTRONIC,HARNESS,BUS CABLE,1.0 METER,MALE/MALE,R-NET	1
A4	CTL137838	R-NET TILT/ASM MODULE (D51508)	1
A5	ELE136088	ELECTRONIC,HARNESS,R-NET ACTUATOR INTERFACE,MOLEX/INTECH	2
A6	MEC138354	BRACKET,R-NET ISM-L,TRU-BALANCE 3	1
A7	ELE146865	ELECTRONIC,SELF WRAPPING,5/8"D,10"L,SPLIT TUBULAR WOVEN SLEEVE,TECHFLEX(F6W0.63BK10)	1
A8	SCRSHFH1015	SCREW,SHFH,BLACK ZINC,M5-.8 X 12MM,GRADE 10.9	4
A9	HDW123677	SCREW,FLANGED BUTTON HEAD, M4X0.7 X 10, ISO 7380-2, CL 10.9, BZ, PVTP	2
A10	HDW125022	SCREW,BHSCS,BLACK ZINC,M5-.8 X 12MM,W/NYLON PATCH	2
A11	ELE147121	HARNESS,ILEVEL SEAT INTERMEDIATE HARNESS R-NET	1
A12	PLSTIE1004	TIE WRAP,BLACK,8"	5
A13	DWR1010H135	ELECTRONIC,HARNESS,FULL LIGHT,LED,EURO/SYNERGY	1
A14	DWR1010H145	ELECTRONIC,HARNESS,FULL LIGHT,R-NET,H-1010-145	1
B1	HDW131337	STANDOFF,MALE-FEMALE,M4-0.7 X 15MM	4

Lift & Tilt, REAC Lift / I-Level

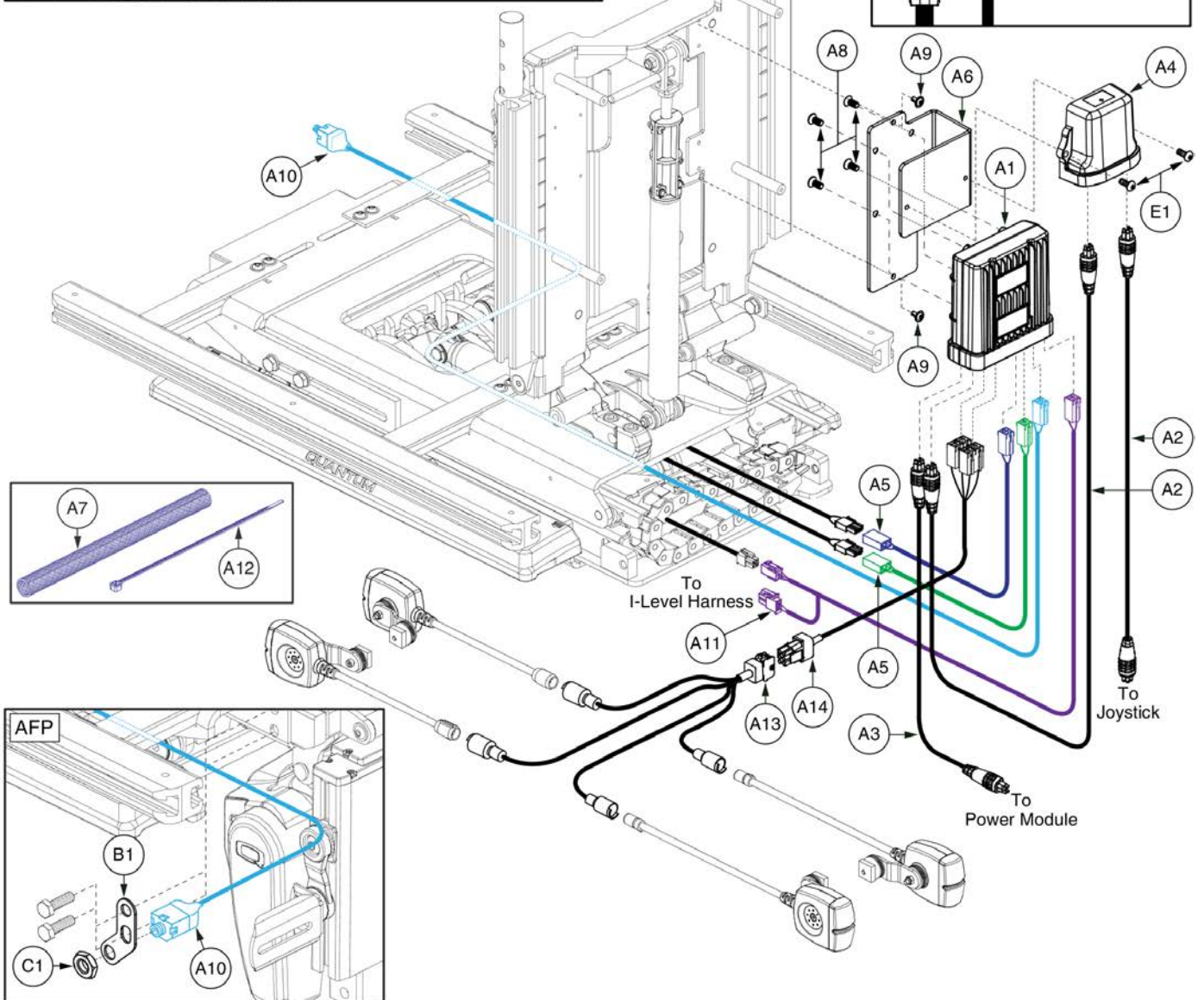
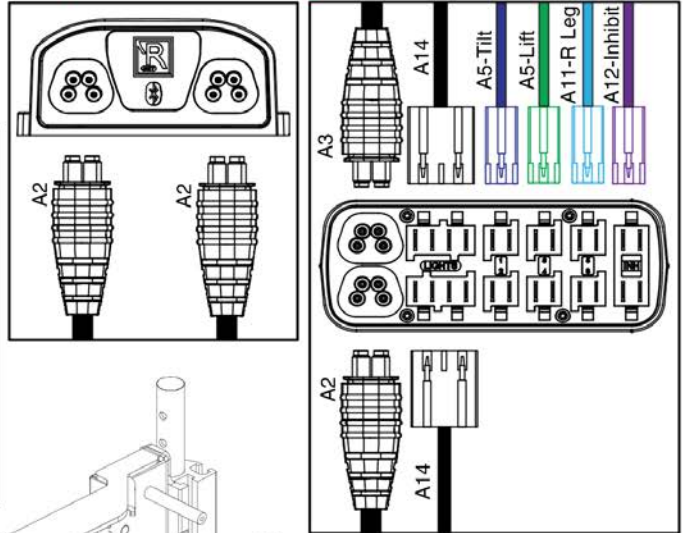
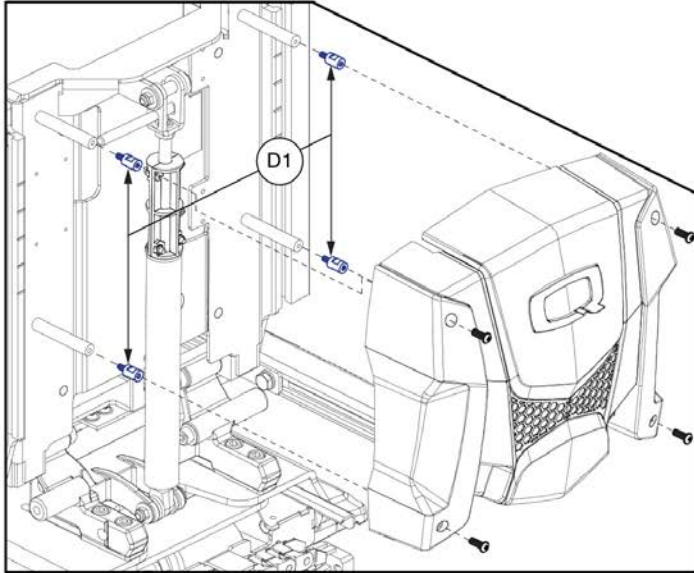
All harnesses from/to the powerbase and the lift system route through the wire conduit "chain".



Item	Part No.	Name	Qty
A1 - A16	ELE153036	ELECTRONIC,ASSY,R-NET,W/POWER LEGS,TB3 LIFT & TILT,W/LIGHTS	1
A1 - A14	ELE153049	ELECTRONIC,ASSY,R-NET,W/POWER LEGS,TB3 LIFT & TILT	1
A1	CTLDC1523	ELECTRONIC,MODULE,ISM,ACTUATOR AND LIGHTING,H-1111-117	1
A2	DWR1111H565	ELECTRONIC,HARNESS,BUS CABLE,0.5 METER,MALE/MALE,R-NET	2
A3	DWR1111H567	ELECTRONIC,HARNESS,BUS CABLE,1.0 METER,MALE/MALE,R-NET	1
A4	CTL137838	R-NET TILT/ASM MODULE (D51508)	1
A5	ELE136088	ELECTRONIC,HARNESS,R-NET ACTUATOR INTERFACE,MOLEX/INTECH	2
A6	MEC138354	BRACKET,R-NET ISM-L,TRU-BALANCE 3	1
A7	ELE146865	ELECTRONIC,SELF WRAPPING,5/8"D,10"L,SPLIT TUBULAR WOVEN SLEEVE,TECHFLEX(F6W0.63BK10)	1
A8	SCRSHFH1015	SCREW,SHFH,BLACK ZINC,M5-.8 X 12MM,GRADE 10.9	4
A9	HDW123677	SCREW,FLANGED BUTTON HEAD, M4X0.7 X 10, ISO 7380-2, CL 10.9, BZ, PVTP	2
A10	HDW125022	SCREW,BHSCS,BLACK ZINC,M5-.8 X 12MM,W/NYLON PATCH	2
A11	DWR1265H077	ELECTRONIC,HARNESS,R-NET,ELR ACTUATOR HARNESS,RIGHT	1
A12	DWR1265H078	ELECTRONIC,HARNESS,R-NET,ELR ACTUATOR HARNESS,LEFT	1
A13	ELE147121	HARNESS,ILEVEL SEAT INTERMEDIATE HARNESS R-NET	1
A14	PLSTIE1004	TIE WRAP,BLACK,8"	5
A15	DWR1010H135	ELECTRONIC,HARNESS,FULL LIGHT,LED,EURO/SYNERGY	1
A16	DWR1010H145	ELECTRONIC,HARNESS,FULL LIGHT,R-NET,H-1010-145	1
B1	DWR1303B026	ELECTRICAL CONNECTION BRACKET,ARTICULATING LEGREST	2
C1	NUT8120005	NUT,T-SLOT,BLACK,M8-1.25	2
D1	SCRHHCS1382	SCREW,HHCS,BLACK ZINC CHROMATE,M8-1.25 X 12MM,10.9	2
E1	NUTJAM1032	NUT,JAM,THIN,STAINLESS STEEL,3/8-32	2
F1	HDW131337	STANDOFF,MALE-FEMALE,M4-0.7 X 15MM	4

Lift & Tilt, REAC Lift / I-Level

All harnesses from/to the powerbase and the lift system route through the wire conduit "chain".



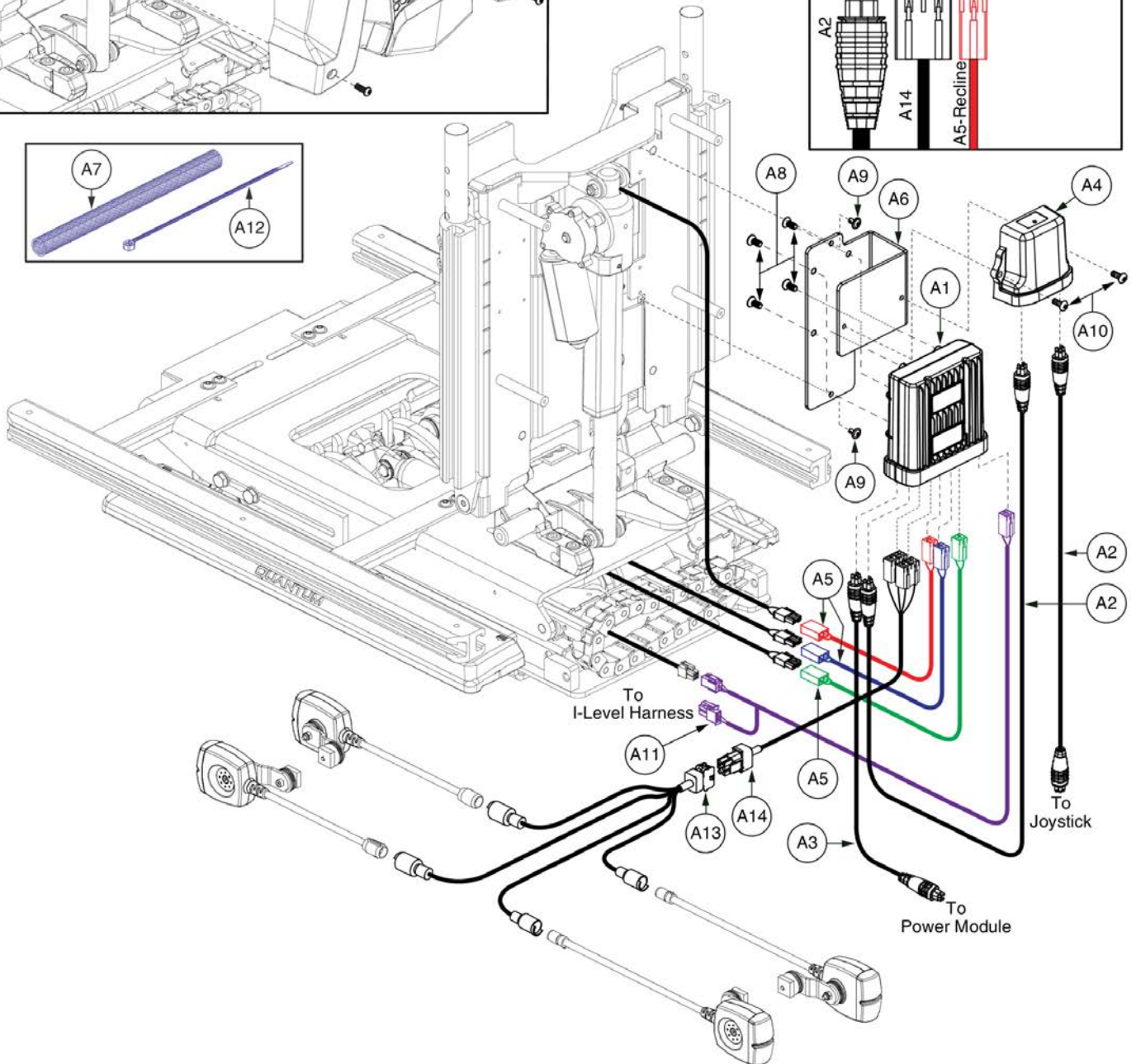
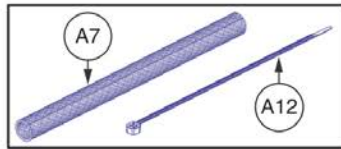
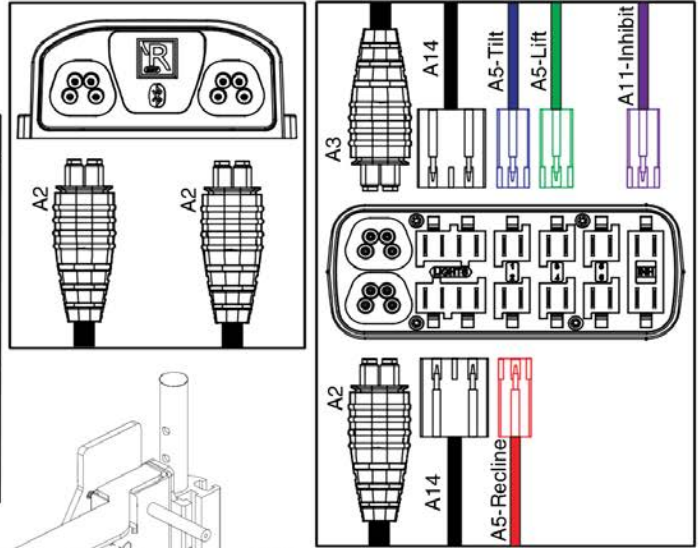
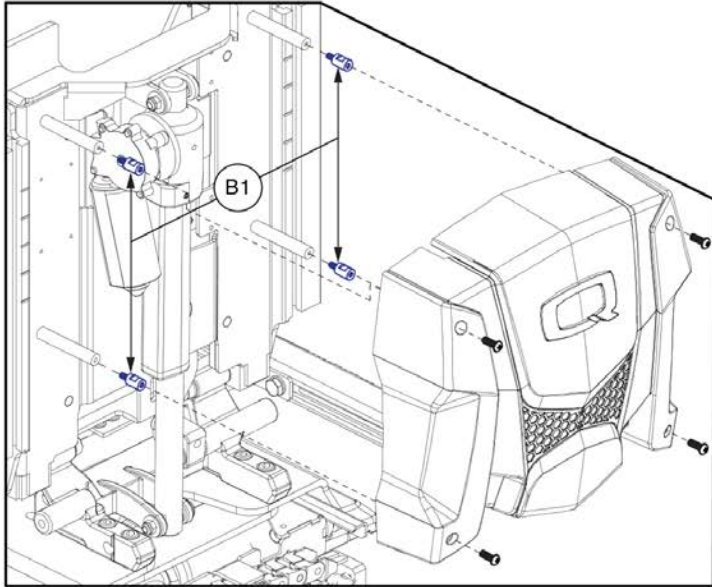
R-Net Lift & Tilt w/AFP, REAC Lift / I-Level



Item	Part No.	Name	Qty
A1 - A14	ELE153037	ELECTRONIC,ASSY,R-NET,W/AFP,TB3 LIFT & TILT,W/LIGHTS	1
A1 - A12	ELE153050	ELECTRONIC,ASSY,R-NET,W/AFP,TB3 LIFT & TILT	1
A1	CTLDC1523	ELECTRONIC,MODULE,ISM,ACTUATOR AND LIGHTING,H-1111-117	1
A2	DWR1111H565	ELECTRONIC,HARNESS,BUS CABLE,0.5 METER,MALE/MALE,R-NET	2
A3	DWR1111H567	ELECTRONIC,HARNESS,BUS CABLE,1.0 METER,MALE/MALE,R-NET	1
A4	CTL137838	R-NET TILT/ASM MODULE (D51508)	1
A5	ELE136088	ELECTRONIC,HARNESS,R-NET ACTUATOR INTERFACE,MOLEX/INTECH	2
A6	MEC138354	BRACKET,R-NET ISM-L,TRU-BALANCE 3	1
A7	ELE146865	ELECTRONIC,SELF WRAPPING,5/8"D,10"L,SPLIT TUBULAR WOVEN SLEEVE,TECHFLEX(F6W0.63BK10)	1
A8	SCRSHFH1015	SCREW,SHFH,BLACK ZINC,M5-.8 X 12MM,GRADE 10.9	4
A9	HDW123677	SCREW,FLANGED BUTTON HEAD, M4X0.7 X 10, ISO 7380-2, CL 10.9, BZ, PVTP	2
A10	DWR1265H077	ELECTRONIC,HARNESS,R-NET,ELR ACTUATOR HARNESS,RIGHT	1
A11	ELE147121	HARNESS,ILEVEL SEAT INTERMEDIATE HARNESS R-NET	1
A12	PLSTIE1004	TIE WRAP,BLACK,8"	5
A13	DWR1010H135	ELECTRONIC,HARNESS,FULL LIGHT,LED,EURO/SYNERGY	1
A14	DWR1010H145	ELECTRONIC,HARNESS,FULL LIGHT,R-NET,H-1010-145	1
B1	MEC130241	ELECTRICAL CONNECTION BRACKET,AFF,TB3	1
C1	NUTJAM1032	NUT,JAM,THIN,STAINLESS STEEL,3/8-32	1
D1	HDW131337	STANDOFF,MALE-FEMALE,M4-0.7 X 15MM	4
E1	HDW125022	SCREW,BHSCS,BLACK ZINC,M5-.8 X 12MM,W/NYLON PATCH	2

Lift, Tilt, & Recline, REAC Lift / I-Level

All harnesses from/to the powerbase and the lift system route through the wire conduit "chain".

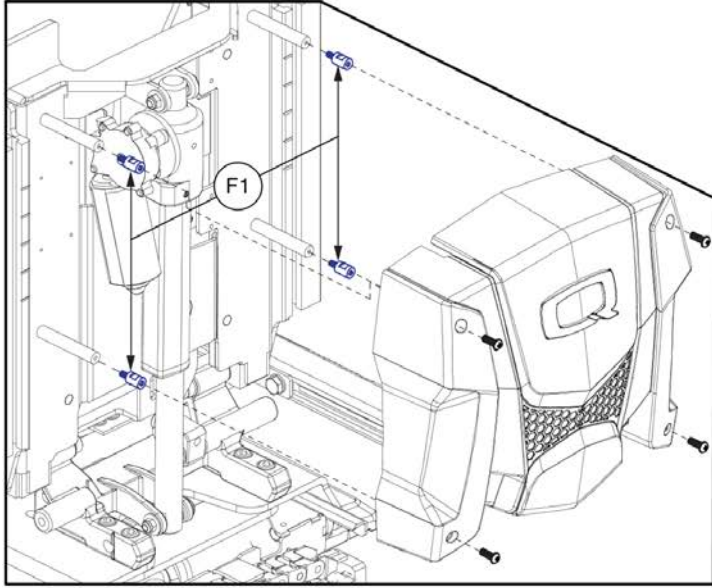


R-Net Lift, Tilt, & Recline, REAC Lift / I-Level

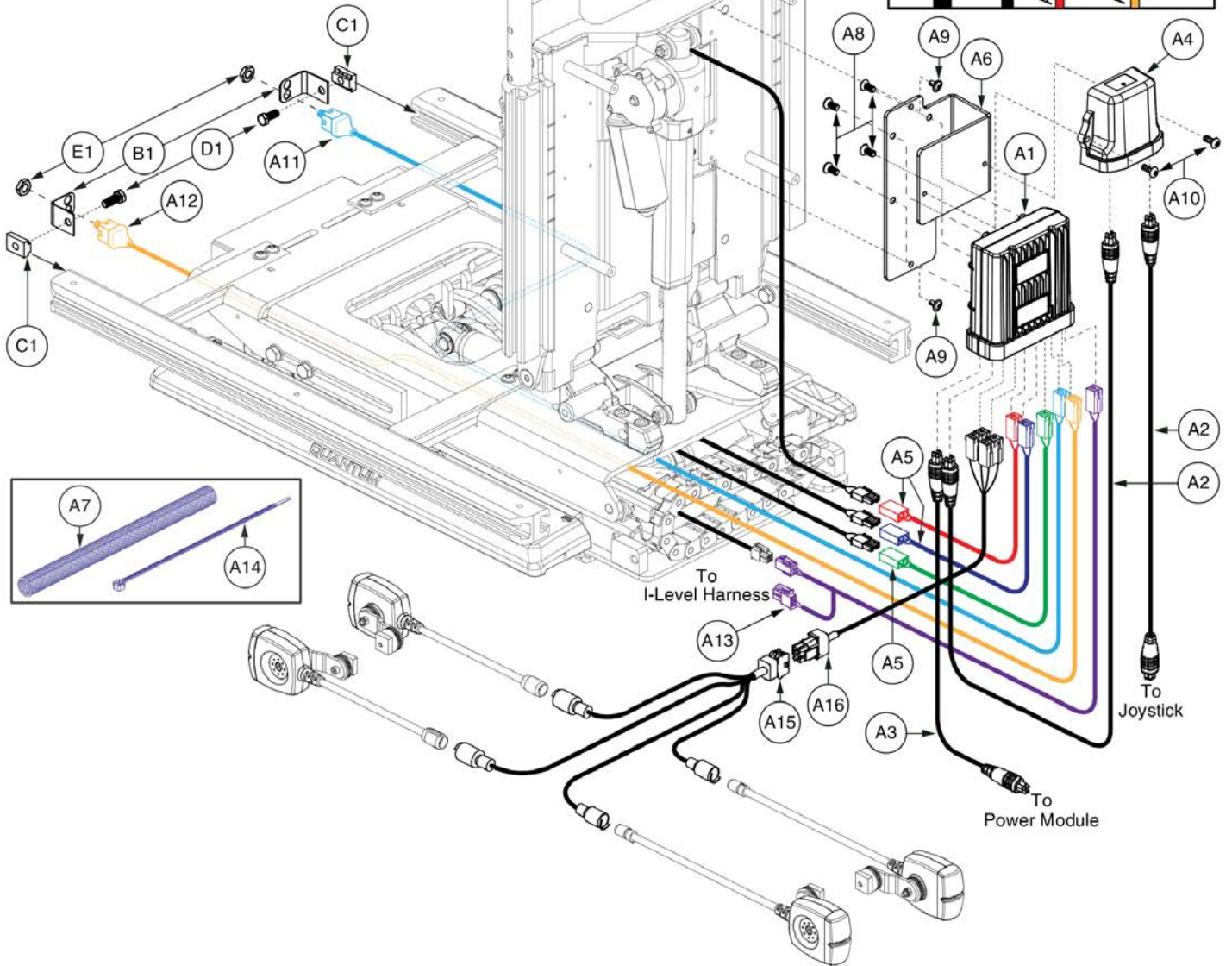
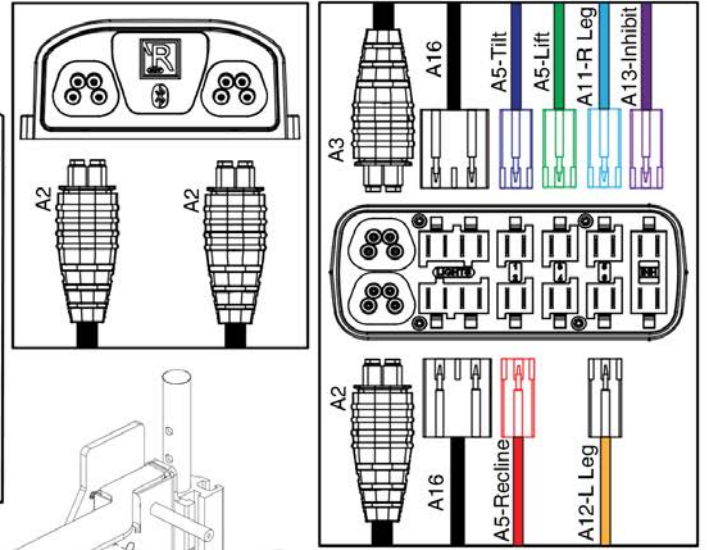


Item	Part No.	Name	Qty
A1 - A14	ELE153038	ELECTRONIC,ASSY,R-NET,TB3 LIFT TILT & RECLINE,W/LIGHTS	1
A1 - A12	ELE153051	ELECTRONIC,ASSY,R-NET,TB3 LIFT TILT & RECLINE	1
A1	CTLDC1523	ELECTRONIC,MODULE,ISM,ACTUATOR AND LIGHTING,H-1111-117	1
A2	DWR1111H565	ELECTRONIC,HARNESS,BUS CABLE,0.5 METER,MALE/MALE,R-NET	2
A3	DWR1111H567	ELECTRONIC,HARNESS,BUS CABLE,1.0 METER,MALE/MALE,R-NET	1
A4	CTL137838	R-NET TILT/ASM MODULE (D51508)	1
A5	ELE136088	ELECTRONIC,HARNESS,R-NET ACTUATOR INTERFACE,MOLEX/INTECH	3
A6	MEC138354	BRACKET,R-NET ISM-L,TRU-BALANCE 3	1
A7	ELE146865	ELECTRONIC,SELF WRAPPING,5/8"D,10"L,SPLIT TUBULAR WOVEN SLEEVE,TECHFLEX(F6W0.63BK10)	1
A8	SCRSHFH1015	SCREW,SHFH,BLACK ZINC,M5-.8 X 12MM,GRADE 10.9	4
A9	HDW123677	SCREW,FLANGED BUTTON HEAD, M4X0.7 X 10, ISO 7380-2, CL 10.9, BZ, PVTP	2
A10	HDW125022	SCREW,BHSCS,BLACK ZINC,M5-.8 X 12MM,W/NYLON PATCH	2
A11	ELE147121	HARNESS,ILEVEL SEAT INTERMEDIATE HARNESS R-NET	1
A12	PLSTIE1004	TIE WRAP,BLACK,8"	5
A13	DWR1010H135	ELECTRONIC,HARNESS,FULL LIGHT,LED,EURO/SYNERGY	1
A14	DWR1010H145	ELECTRONIC,HARNESS,FULL LIGHT,R-NET,H-1010-145	1
B1	HDW131337	STANDOFF,MALE-FEMALE,M4-0.7 X 15MM	4

Lift, Tilt, & Recline, REAC Lift / I-Level



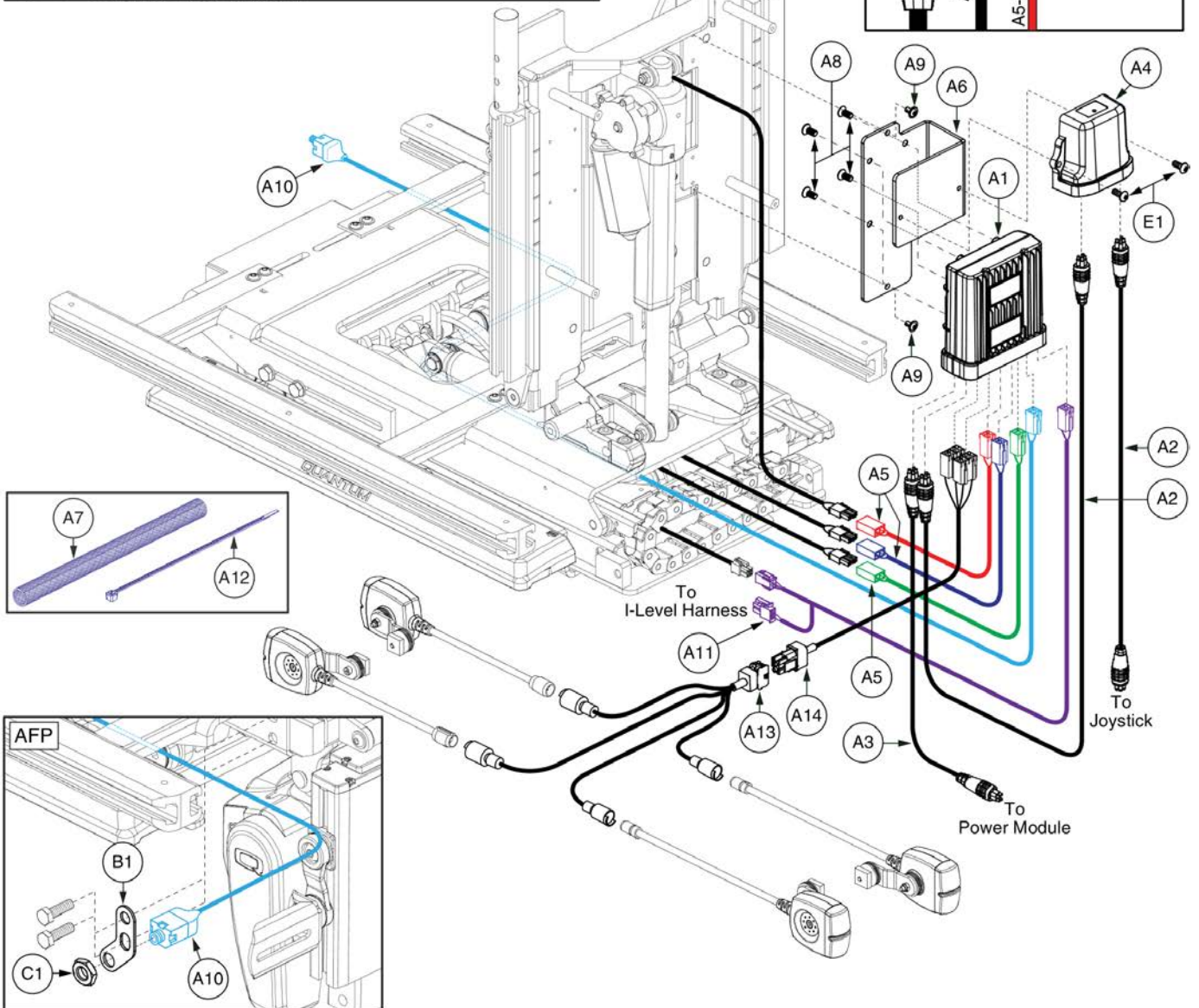
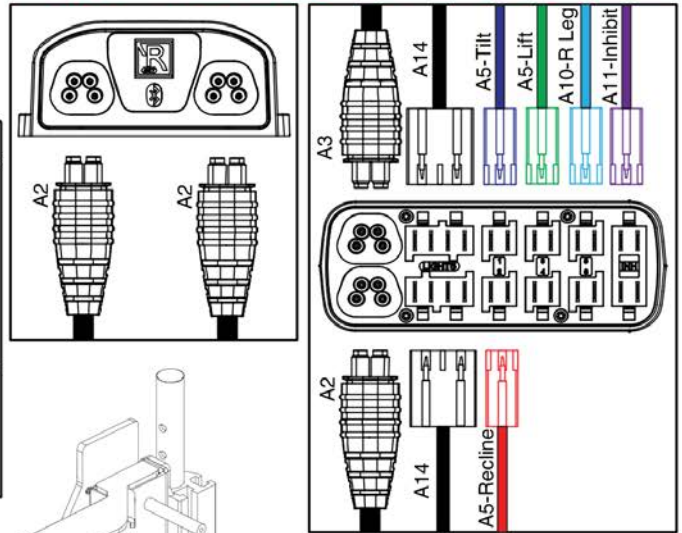
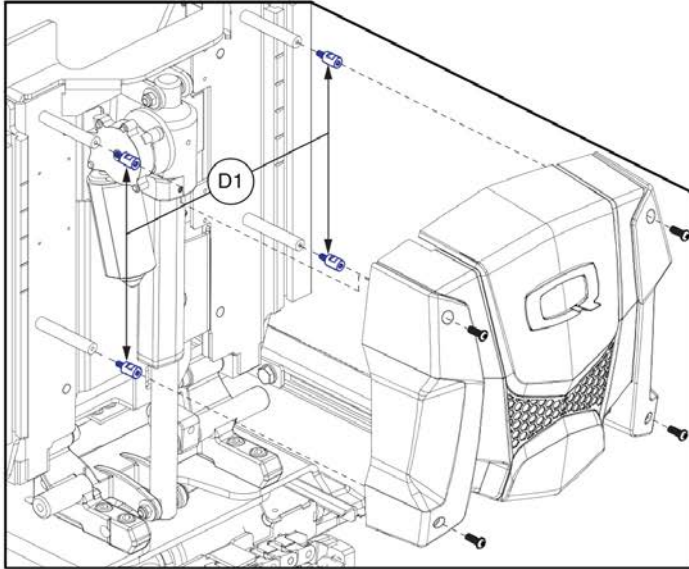
All harnesses from/to the powerbase and the lift system route through the wire conduit "chain".



Item	Part No.	Name	Qty
A1 - A16	ELE153039	ELECTRONIC,ASSY,R-NET,W/POWER LEGS,TB3 LIFT TILT & RECLINE,W/LIGHTS	1
A1 - A14	ELE153052	ELECTRONIC,ASSY,R-NET,W/POWER LEGS,TB3 LIFT TILT & RECLINE	1
A1	CTLDC1523	ELECTRONIC,MODULE,ISM,ACTUATOR AND LIGHTING,H-1111-117	1
A2	DWR1111H565	ELECTRONIC,HARNESS,BUS CABLE,0.5 METER,MALE/MALE,R-NET	2
A3	DWR1111H567	ELECTRONIC,HARNESS,BUS CABLE,1.0 METER,MALE/MALE,R-NET	1
A4	CTL137838	R-NET TILT/ASM MODULE (D51508)	1
A5	ELE136088	ELECTRONIC,HARNESS,R-NET ACTUATOR INTERFACE,MOLEX/INTECH	3
A6	MEC138354	BRACKET,R-NET ISM-L,TRU-BALANCE 3	1
A7	ELE146865	ELECTRONIC,SELF WRAPPING,5/8"D,10"L,SPLIT TUBULAR WOVEN SLEEVE,TECHFLEX(F6W0.63BK10)	1
A8	SCRSHFH1015	SCREW,SHFH,BLACK ZINC,M5-.8 X 12MM,GRADE 10.9	4
A9	HDW123677	SCREW,FLANGED BUTTON HEAD, M4X0.7 X 10, ISO 7380-2, CL 10.9, BZ, PVTP	2
A10	HDW125022	SCREW,BHSCS,BLACK ZINC,M5-.8 X 12MM,W/NYLON PATCH	2
A11	DWR1265H077	ELECTRONIC,HARNESS,R-NET,ELR ACTUATOR HARNESS,RIGHT	1
A12	DWR1265H078	ELECTRONIC,HARNESS,R-NET,ELR ACTUATOR HARNESS,LEFT	1
A13	ELE147121	HARNESS,ILEVEL SEAT INTERMEDIATE HARNESS R-NET	1
A14	PLSTIE1004	TIE WRAP,BLACK,8"	5
A15	DWR1010H135	ELECTRONIC,HARNESS,FULL LIGHT,LED,EURO/SYNERGY	1
A16	DWR1010H145	ELECTRONIC,HARNESS,FULL LIGHT,R-NET,H-1010-145	1
B1	DWR1303B026	ELECTRICAL CONNECTION BRACKET,ARTICULATING LEGREST	2
C1	NUT8120005	NUT,T-SLOT,BLACK,M8-1.25	2
D1	SCRHHCS1382	SCREW,HHCS,BLACK ZINC CHROMATE,M8-1.25 X 12MM,10.9	2
E1	NUTJAM1032	NUT,JAM,THIN,STAINLESS STEEL,3/8-32	2
F1	HDW131337	STANDOFF,MALE-FEMALE,M4-0.7 X 15MM	4

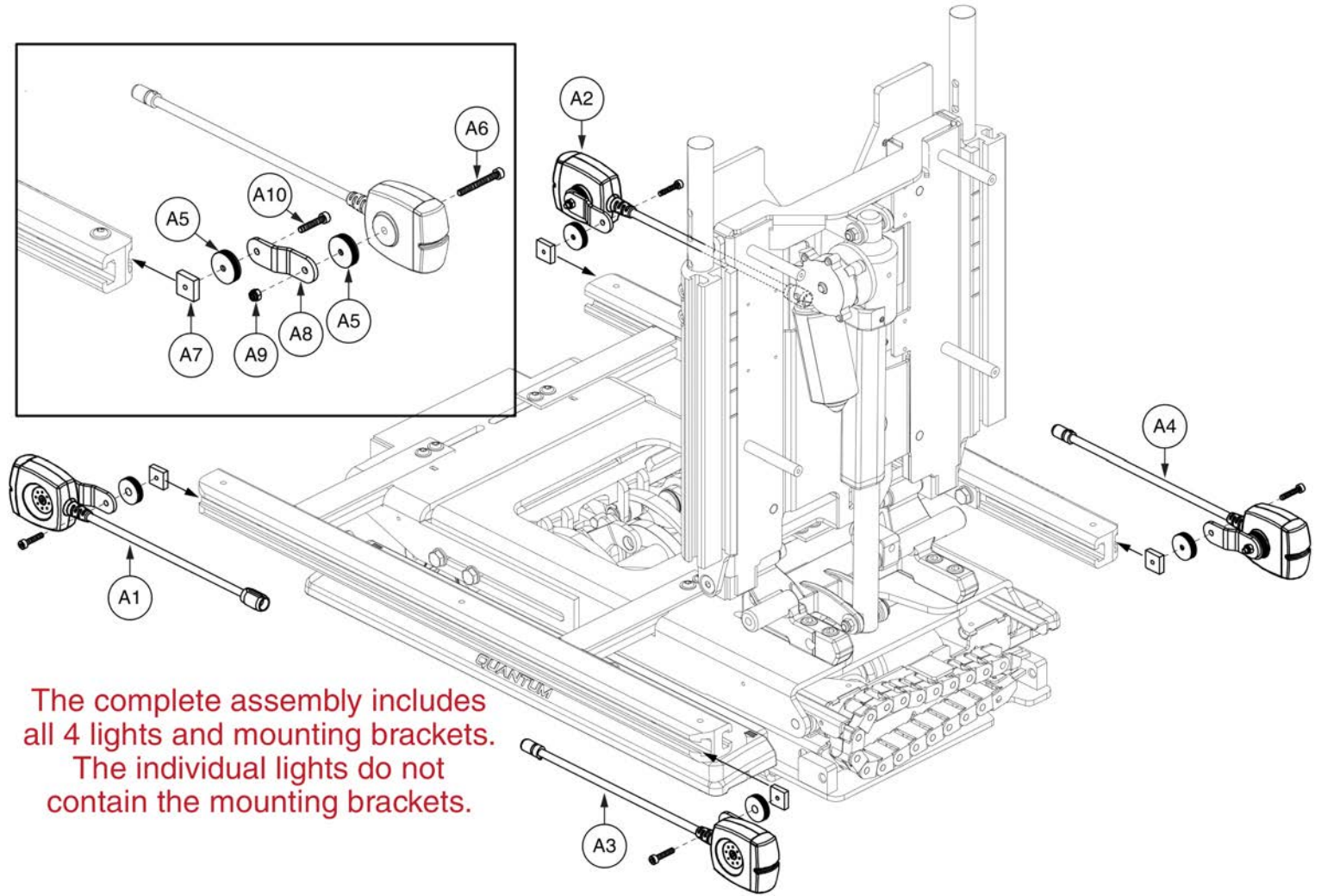
Lift, Tilt, & Recline, REAC Lift / I-Level

All harnesses from/to the powerbase and the lift system route through the wire conduit "chain".



Item	Part No.	Name	Qty
A1 - A14	ELE153040	ELECTRONIC,ASSY,R-NET,W/AFP,TB3 LIFT TILT & RECLINE,W/LIGHTS	1
A1 - A12	ELE153053	ELECTRONIC,ASSY,R-NET,W/AFP,TB3 LIFT TILT & RECLINE	1
A1	CTLDC1523	ELECTRONIC,MODULE,ISM,ACTUATOR AND LIGHTING,H-1111-117	1
A2	DWR1111H565	ELECTRONIC,HARNESS,BUS CABLE,0.5 METER,MALE/MALE,R-NET	2
A3	DWR1111H567	ELECTRONIC,HARNESS,BUS CABLE,1.0 METER,MALE/MALE,R-NET	1
A4	CTL137838	R-NET TILT/ASM MODULE (D51508)	1
A5	ELE136088	ELECTRONIC,HARNESS,R-NET ACTUATOR INTERFACE,MOLEX/INTECH	3
A6	MEC138354	BRACKET,R-NET ISM-L,TRU-BALANCE 3	1
A7	ELE146865	ELECTRONIC,SELF WRAPPING,5/8"D,10"L,SPLIT TUBULAR WOVEN SLEEVE,TECHFLEX(F6W0.63BK10)	1
A8	SCRSHFH1015	SCREW,SHFH,BLACK ZINC,M5-.8 X 12MM,GRADE 10.9	4
A9	HDW123677	SCREW,FLANGED BUTTON HEAD, M4X0.7 X 10, ISO 7380-2, CL 10.9, BZ, PVTP	2
A10	DWR1265H077	ELECTRONIC,HARNESS,R-NET,ELR ACTUATOR HARNESS,RIGHT	1
A11	ELE147121	HARNESS,ILEVEL SEAT INTERMEDIATE HARNESS R-NET	1
A12	PLSTIE1004	TIE WRAP,BLACK,8"	5
A13	DWR1010H135	ELECTRONIC,HARNESS,FULL LIGHT,LED,EURO/SYNERGY	1
A14	DWR1010H145	ELECTRONIC,HARNESS,FULL LIGHT,R-NET,H-1010-145	1
B1	MEC130241	ELECTRICAL CONNECTION BRACKET,AFP,TB3	1
C1	NUTJAM1032	NUT,JAM,THIN,STAINLESS STEEL,3/8-32	1
D1	HDW131337	STANDOFF,MALE-FEMALE,M4-0.7 X 15MM	4
E1	HDW125022	SCREW,BHSCS,BLACK ZINC,M5-.8 X 12MM,W/NYLON PATCH	2

Standard Config. Seat Mounted Lights



The complete assembly includes all 4 lights and mounting brackets. The individual lights do not contain the mounting brackets.

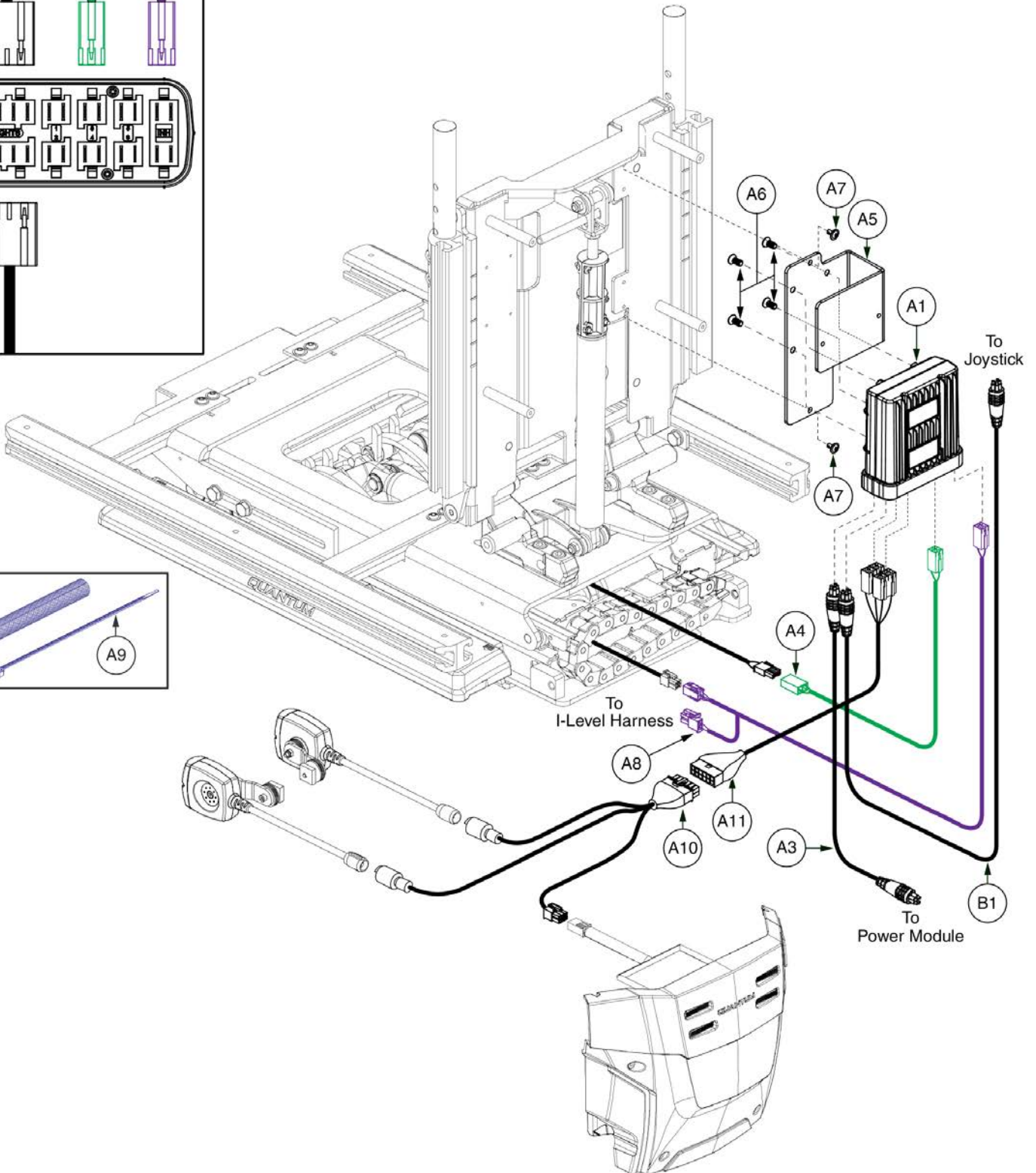
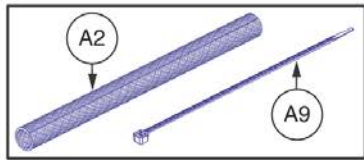
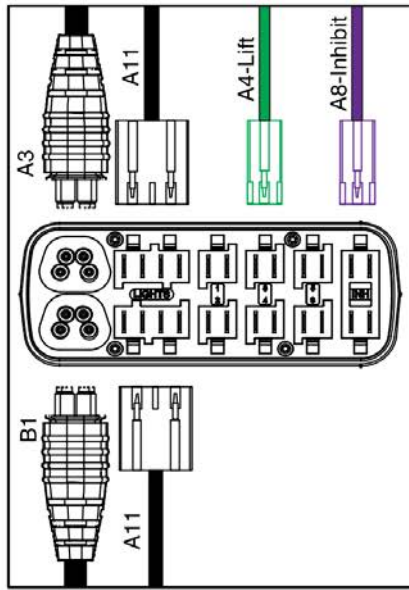
Standard Config. LED Light Assy, REAC Lift



Item	Part No.	Name	Qty
A1 - A10	ELE131477	FULL LIGHT,ASSY,LED LIGHTS,TRU-BALANCE 3	1
A1	ELEASMB7120023	FULL LIGHT,ASSY,WHITE/AMBER,LED E-MARKED LIGHTS,SYNERGY,FRONT/LEFT,ELEASMB7120023	1
A2	ELEASMB7120024	FULL LIGHT,ASSY,WHITE/AMBER,LED LIGHTS,SYNERGY,FRONT/RIGHT,ELEASMB7120024	1
A3	ELEASMB7120025	LIGHT,ASSY,RED/AMBER,LED E-MARKED LIGHTS,SYNERGY,REAR/LEFT,ELEASMB7120025	1
A4	ELEASMB7120026	LIGHT,ASSY,RED/AMBER,LED E-MARKED LIGHTS,SYNERGY,REAR/RIGHT,ELEASMB7120026	1
A5	DWR1010B161	SPACER,BLACK,PLASTIC,0.157" ID X 0.866" OD X 0.22" TH,B-1010-161	8
A6	SCRSHCS1237	SCREW,SHCS,BLACK ZINC,M4-.7 X 35MM	4
A7	MEC121720	NUT,T-SLOT,M4 X 0.7,TRU-BALANCE 3	4
A8	MEC131475	LIGHT BRACKET,TRU-BALANCE 3	4
A9	NUTNYLK1065	NUT,NYLOCK,BLACK ZINC,M4-.7	4
A10	SCRSHCS1096	SCREW,SHCS,BLACK ZINC,M4-.7 X 20MM	4

Lift Only, REAC Lift / I-Level

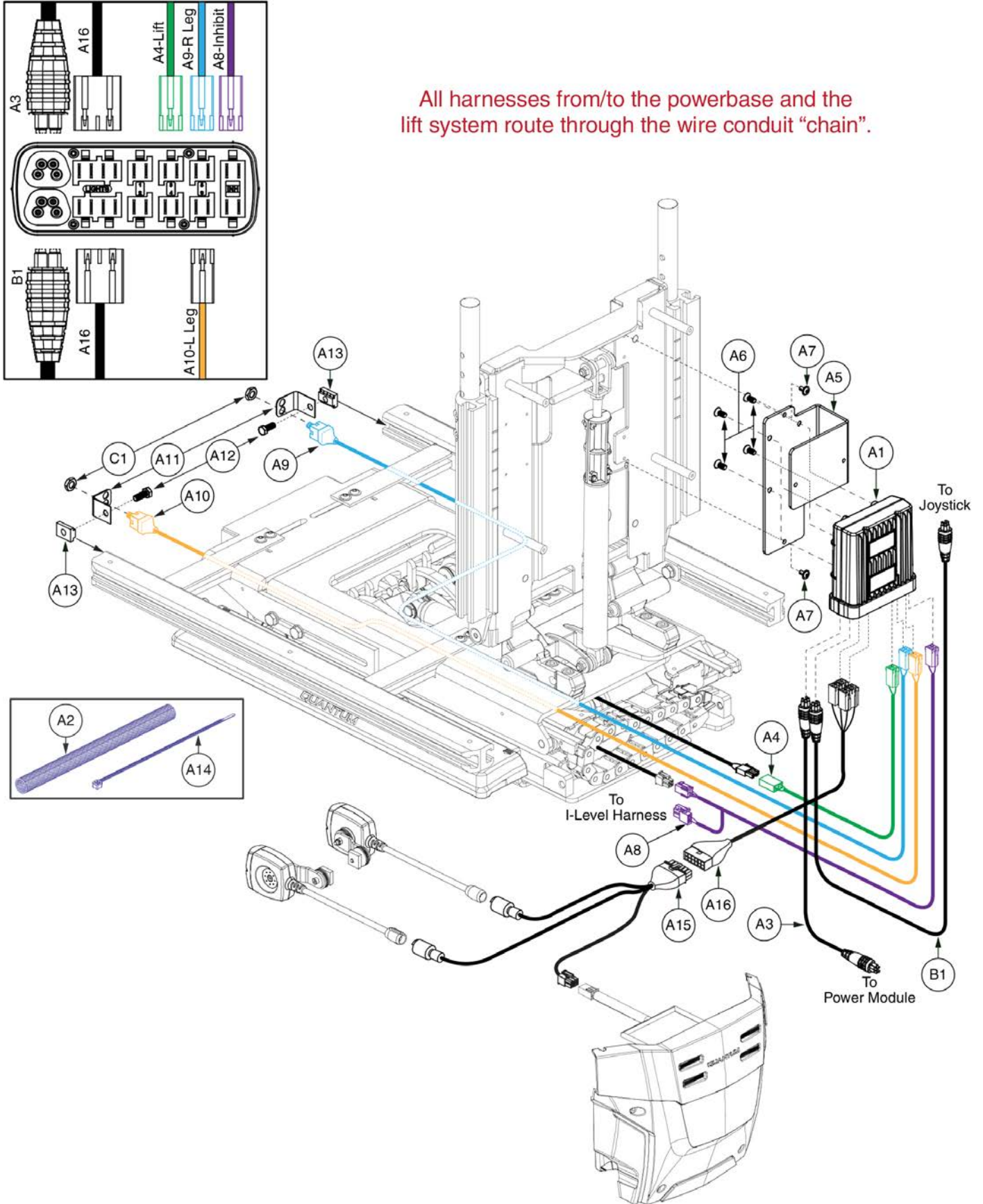
All harnesses from/to the powerbase and the lift system route through the wire conduit "chain".



Item	Part No.	Name	Qty
A1 - A11	ELE1905961	ELECTRONIC,ASSY,R-NET,TRU-BALANCE 3 POWER ADJUSTABLE SEAT LIFT,W/LIGHTS,Q6EDGE 3 STRETTO	1
A1 - A9	ELE1906902	ELECTRONIC,ASSY,R-NET,TRU-BALANCE 3 POWER ADJUSTABLE SEAT LIFT,Q6EDGE 3 STRETTO	1
A1	CTLDC1523	ELECTRONIC,MODULE,ISM,ACTUATOR AND LIGHTING,H-1111-117	1
A2	ELE146865	ELECTRONIC,SELF WRAPPING,5/8"D,10"L,SPLIT TUBULAR WOVEN SLEEVE,TECHFLEX(F6W0.63BK10)	1
A3	DWR1111H567	ELECTRONIC,HARNESS,BUS CABLE,1.0 METER,MALE/MALE,R-NET	1
A4	ELE136088	ELECTRONIC,HARNESS,R-NET ACTUATOR INTERFACE,MOLEX/INTECH	1
A5	MEC138354	BRACKET,R-NET ISM-L,TRU-BALANCE 3	1
A6	SCRSHFH1015	SCREW,SHFH,BLACK ZINC,M5-8 X 12MM,GRADE 10.9	4
A7	HDW123677	SCREW,FLANGED BUTTON HEAD, M4X0.7 X 10, ISO 7380-2, CL 10.9, BZ, PVTP	2
A8	ELE1808847	HARNESS, INTERMEDIATE, ILEVEL EDGE MINI, SEAT, R-NET	1
A9	PLSTIE1004	TIE WRAP,BLACK,8"	5
A10	ELE1808585	HARNESS, LIGHT INTERFACE, EDGE MINI, REAR SEAT MODULE, W/LIFT	1
A11	ELE1808809	HARNESS, LIGHT MODULE INTERFACE, RNET, EDGE MINI	1
B1	DWR1111H565	ELECTRONIC,HARNESS,BUS CABLE,0.5 METER,MALE/MALE,R-NET	1

Lift Only, REAC Lift / I-Level

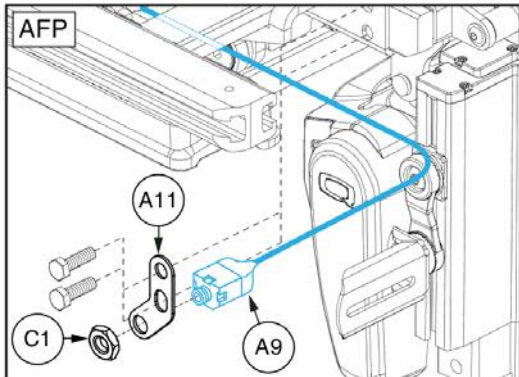
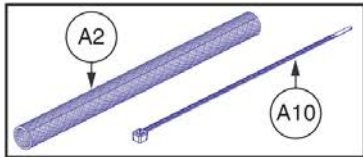
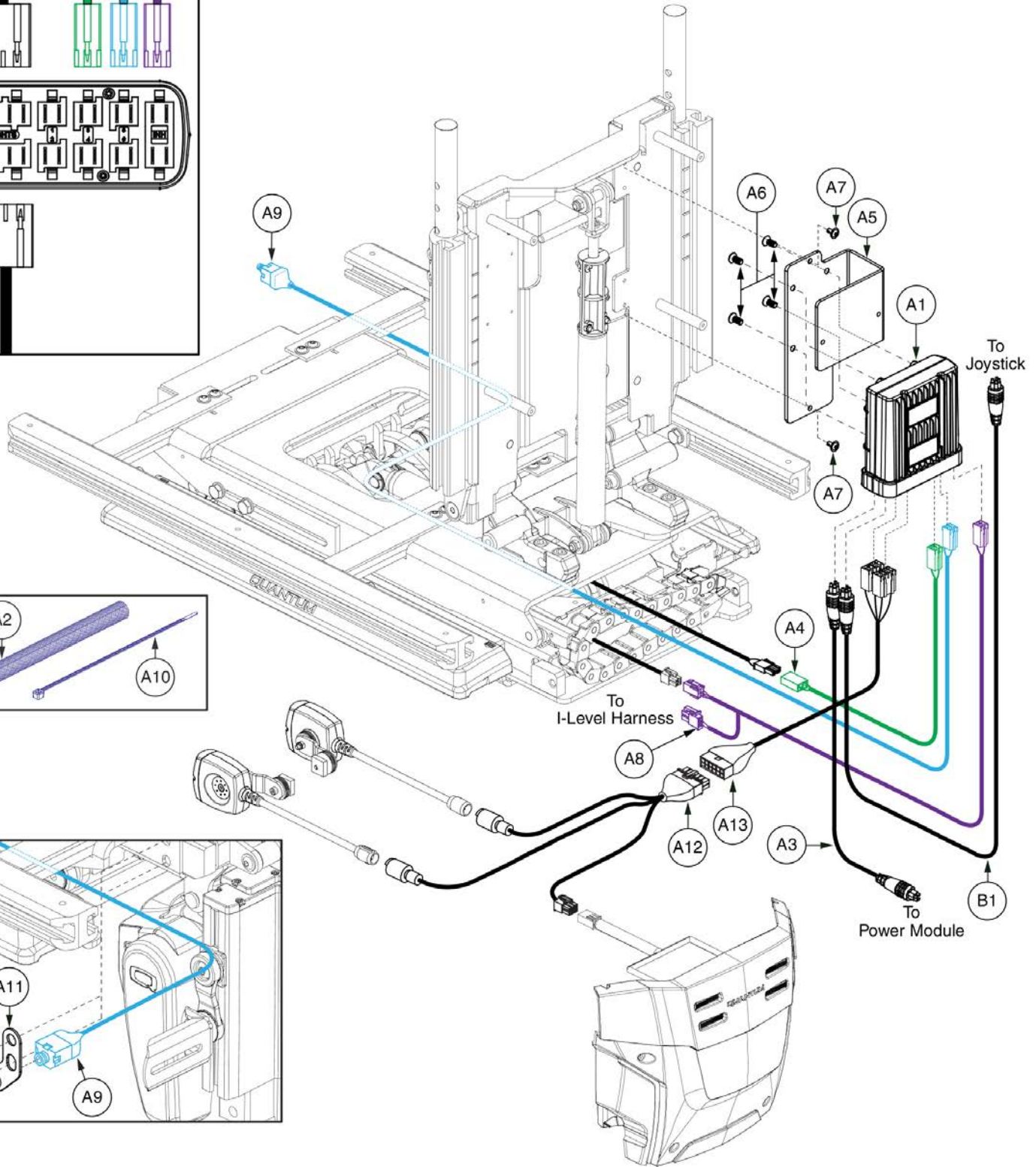
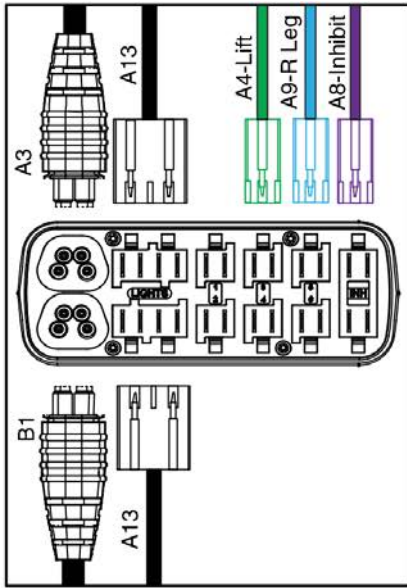
All harnesses from/to the powerbase and the lift system route through the wire conduit "chain".



Item	Part No.	Name	Qty
A1 - A16	ELE1905962	ELECTRONIC,ASSY,R-NET,POWER LEGS,TRU-BALANCE 3 POWER ADJUSTABLE SEAT LIFT,W/LIGHTS,Q6EDGE 3 STRETTO	1
A1 - A14	ELE1906904	ELECTRONIC,ASSY,R-NET,POWER LEGS,TRU-BALANCE 3 POWER ADJUSTABLE SEAT LIFT,Q6EDGE 3 STRETTO	1
A1	CTLDC1523	ELECTRONIC,MODULE,ISM,ACTUATOR AND LIGHTING,H-1111-117	1
A2	ELE146865	ELECTRONIC,SELF WRAPPING,5/8"D,10"L,SPLIT TUBULAR WOVEN SLEEVE,TECHFLEX(F6W0.63BK10)	1
A3	DWR1111H567	ELECTRONIC,HARNESS,BUS CABLE,1.0 METER,MALE/MALE,R-NET	1
A4	ELE136088	ELECTRONIC,HARNESS,R-NET ACTUATOR INTERFACE,MOLEX/INTECH	1
A5	MEC138354	BRACKET,R-NET ISM-L,TRU-BALANCE 3	1
A6	SCRSHFH1015	SCREW,SHFH,BLACK ZINC,M5-8 X 12MM,GRADE 10.9	4
A7	HDW123677	SCREW,FLANGED BUTTON HEAD, M4X0.7 X 10, ISO 7380-2, CL 10.9, BZ, PVTP	2
A8	ELE1808847	HARNESS, INTERMEDIATE, ILEVEL EDGE MINI, SEAT, R-NET	1
A9	DWR1265H077	ELECTRONIC,HARNESS,R-NET,ELR ACTUATOR HARNESS,RIGHT	1
A10	DWR1265H078	ELECTRONIC,HARNESS,R-NET,ELR ACTUATOR HARNESS,LEFT	1
A11	DWR1303B026	ELECTRICAL CONNECTION BRACKET,ARTICULATING LEGREST	2
A12	SCRHHCS1382	SCREW,HHCS,BLACK ZINC CHROMATE,M8-1.25 X 12MM,10.9	2
A13	NUT8120005	NUT,T-SLOT,BLACK,M8-1.25	2
A14	PLSTIE1004	TIE WRAP,BLACK,8"	5
A15	ELE1808585	HARNESS, LIGHT INTERFACE, EDGE MINI, REAR SEAT MODULE, W/LIFT	1
A16	ELE1808809	HARNESS, LIGHT MODULE INTERFACE, RNET, EDGE MINI	1
B1	DWR1111H565	ELECTRONIC,HARNESS,BUS CABLE,0.5 METER,MALE/MALE,R-NET	1
C1	NUTJAM1032	NUT,JAM,THIN,STAINLESS STEEL,3/8-32	2

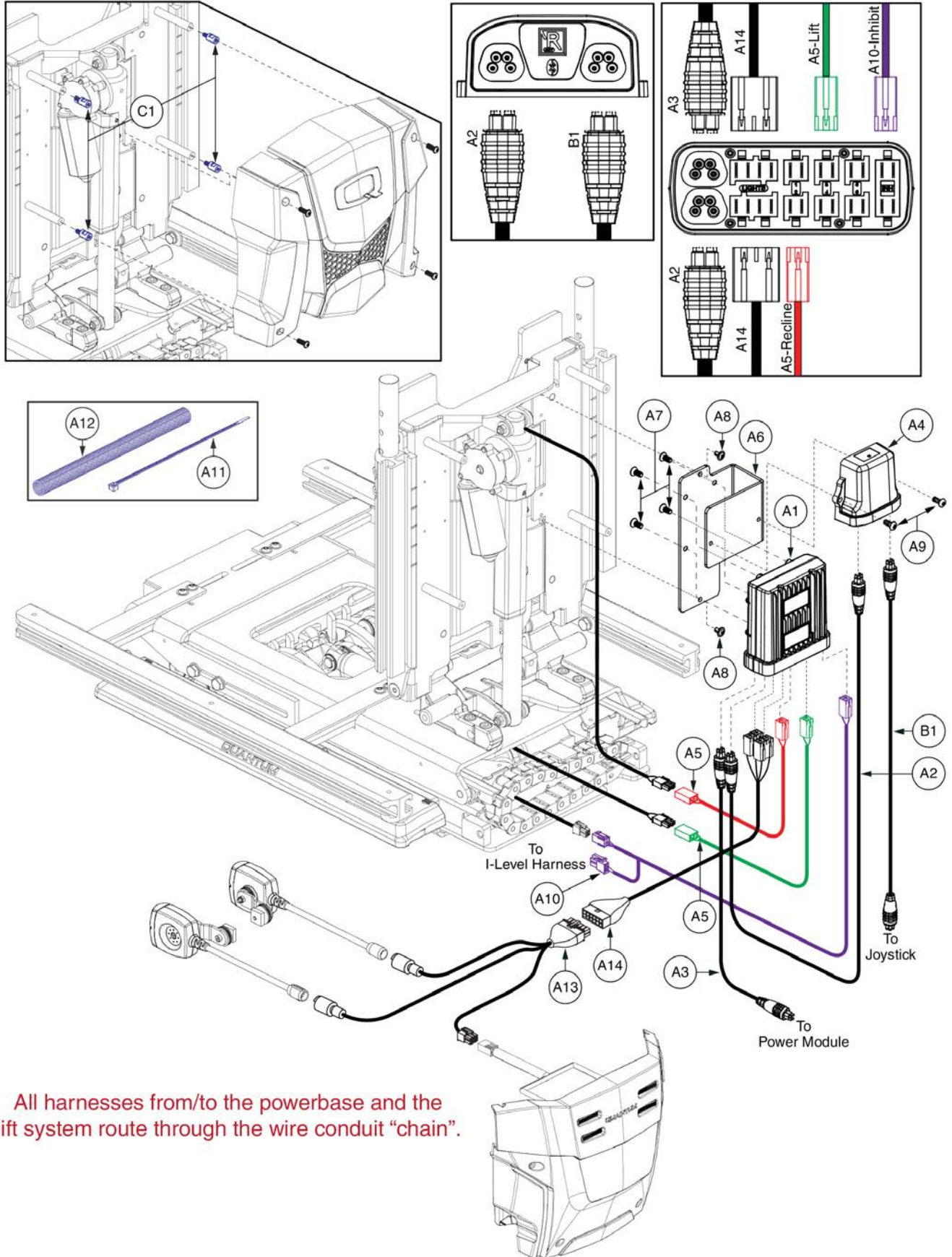
Lift Only, REAC Lift / I-Level

All harnesses from/to the powerbase and the lift system route through the wire conduit "chain".



Item	Part No.	Name	Qty
A1 - A13	ELE1906040	ELECTRONIC,ASSY,R-NET,W/POWER ARTICULATING FOOT PLATFORM,TRU-BALANCE 3 POWER ADJUSTABLE SEAT LIFT,W/LIGHTS,Q6EDGE 3 STRETTO	1
A1 - A11	ELE1906906	ELECTRONIC,ASSY,R-NET,W/POWER ARTICULATING FOOT PLATFORM,TRU-BALANCE 3 POWER ADJUSTABLE SEAT LIFT,Q6EDGE 3 STRETTO	1
A1	CTLDC1523	ELECTRONIC,MODULE,ISM,ACTUATOR AND LIGHTING,H-1111-117	1
A2	ELE146865	ELECTRONIC,SELF WRAPPING,5/8"D,10"L,SPLIT TUBULAR WOVEN SLEEVE,TECHFLEX(F6W0.63BK10)	1
A3	DWR1111H567	ELECTRONIC,HARNESS,BUS CABLE,1.0 METER,MALE/MALE,R-NET	1
A4	ELE136088	ELECTRONIC,HARNESS,R-NET ACTUATOR INTERFACE,MOLEX/INTECH	1
A5	MEC138354	BRACKET,R-NET ISM-L,TRU-BALANCE 3	1
A6	SCRSHFH1015	SCREW,SHFH,BLACK ZINC,M5-8 X 12MM,GRADE 10.9	4
A7	HDW123677	SCREW,FLANGED BUTTON HEAD, M4X0.7 X 10, ISO 7380-2, CL 10.9, BZ, PVTP	2
A8	ELE1808847	HARNESS, INTERMEDIATE, ILEVEL EDGE MINI, SEAT, R-NET	1
A9	DWR1265H077	ELECTRONIC,HARNESS,R-NET,ELR ACTUATOR HARNESS,RIGHT	1
A10	PLSTIE1004	TIE WRAP,BLACK,8"	5
A11	MEC130241	ELECTRICAL CONNECTION BRACKET,AFP,TB3	1
A12	ELE1808585	HARNESS, LIGHT INTERFACE, EDGE MINI, REAR SEAT MODULE, W/LIFT	1
A13	ELE1808809	HARNESS, LIGHT MODULE INTERFACE, RNET, EDGE MINI	1
B1	DWR1111H565	ELECTRONIC,HARNESS,BUS CABLE,0.5 METER,MALE/MALE,R-NET	1
C1	NUTJAM1032	NUT,JAM,THIN,STAINLESS STEEL,3/8-32	1

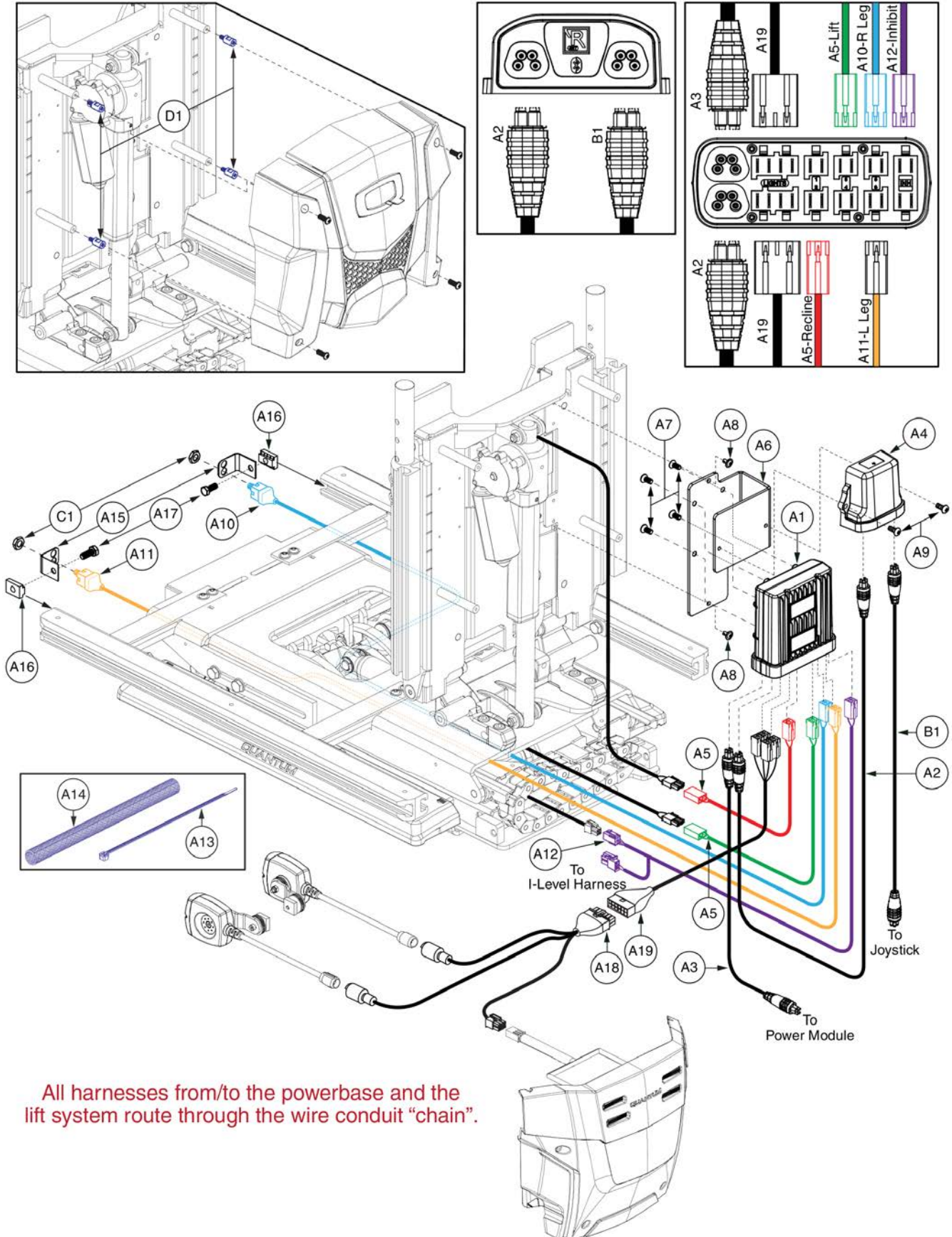
Lift & Recline, REAC Lift / I-Level



All harnesses from/to the powerbase and the lift system route through the wire conduit "chain".

Item	Part No.	Name	Qty
A1 - A14	ELE1906181	ELECTRONIC,ASSY,R-NET,TRU-BALANCE 3 POWER ADJUSTABLE SEAT LIFT & RECLINE,W/LIGHTS,Q6EDGE 3 STRETTO	1
A1 - A12	ELE1906913	ELECTRONIC,ASSY,R-NET,TRU-BALANCE 3 POWER ADJUSTABLE SEAT LIFT & RECLINE,Q6EDGE 3 STRETTO	1
A1	CTLDC1523	ELECTRONIC,MODULE,ISM,ACTUATOR AND LIGHTING,H-1111-117	1
A2	DWR1111H565	ELECTRONIC,HARNESS,BUS CABLE,0.5 METER,MALE/MALE,R-NET	1
A3	DWR1111H567	ELECTRONIC,HARNESS,BUS CABLE,1.0 METER,MALE/MALE,R-NET	1
A4	CTL137838	R-NET TILT/ASM MODULE (D51508)	1
A5	ELE136088	ELECTRONIC,HARNESS,R-NET ACTUATOR INTERFACE,MOLEX/INTECH	2
A6	MEC138354	BRACKET,R-NET ISM-L,TRU-BALANCE 3	1
A7	SCRSHFH1015	SCREW,SHFH,BLACK ZINC,M5-.8 X 12MM,GRADE 10.9	4
A8	HDW123677	SCREW,FLANGED BUTTON HEAD, M4X0.7 X 10, ISO 7380-2, CL 10.9, BZ, PVTP	2
A9	HDW125022	SCREW,BHSCS,BLACK ZINC,M5-.8 X 12MM,W/NYLON PATCH	2
A10	ELE1808847	HARNESS, INTERMEDIATE, ILEVEL EDGE MINI, SEAT, R-NET	1
A11	PLSTIE1004	TIE WRAP,BLACK,8"	5
A12	ELE146865	ELECTRONIC,SELF WRAPPING,5/8"D,10"L,SPLIT TUBULAR WOVEN SLEEVE,TECHFLEX(F6W0.63BK10)	1
A13	ELE1808585	HARNESS, LIGHT INTERFACE, EDGE MINI, REAR SEAT MODULE, W/LIFT	1
A14	ELE1808809	HARNESS, LIGHT MODULE INTERFACE, RNET, EDGE MINI	1
B1	DWR1111H565	ELECTRONIC,HARNESS,BUS CABLE,0.5 METER,MALE/MALE,R-NET	1
C1	HDW131337	STANDOFF,MALE-FEMALE,M4-0.7 X 15MM	4

Lift & Recline, REAC Lift / I-Level

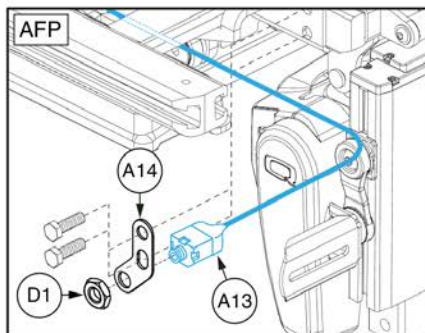
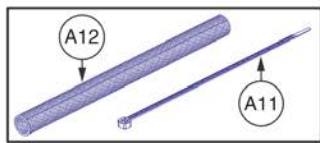
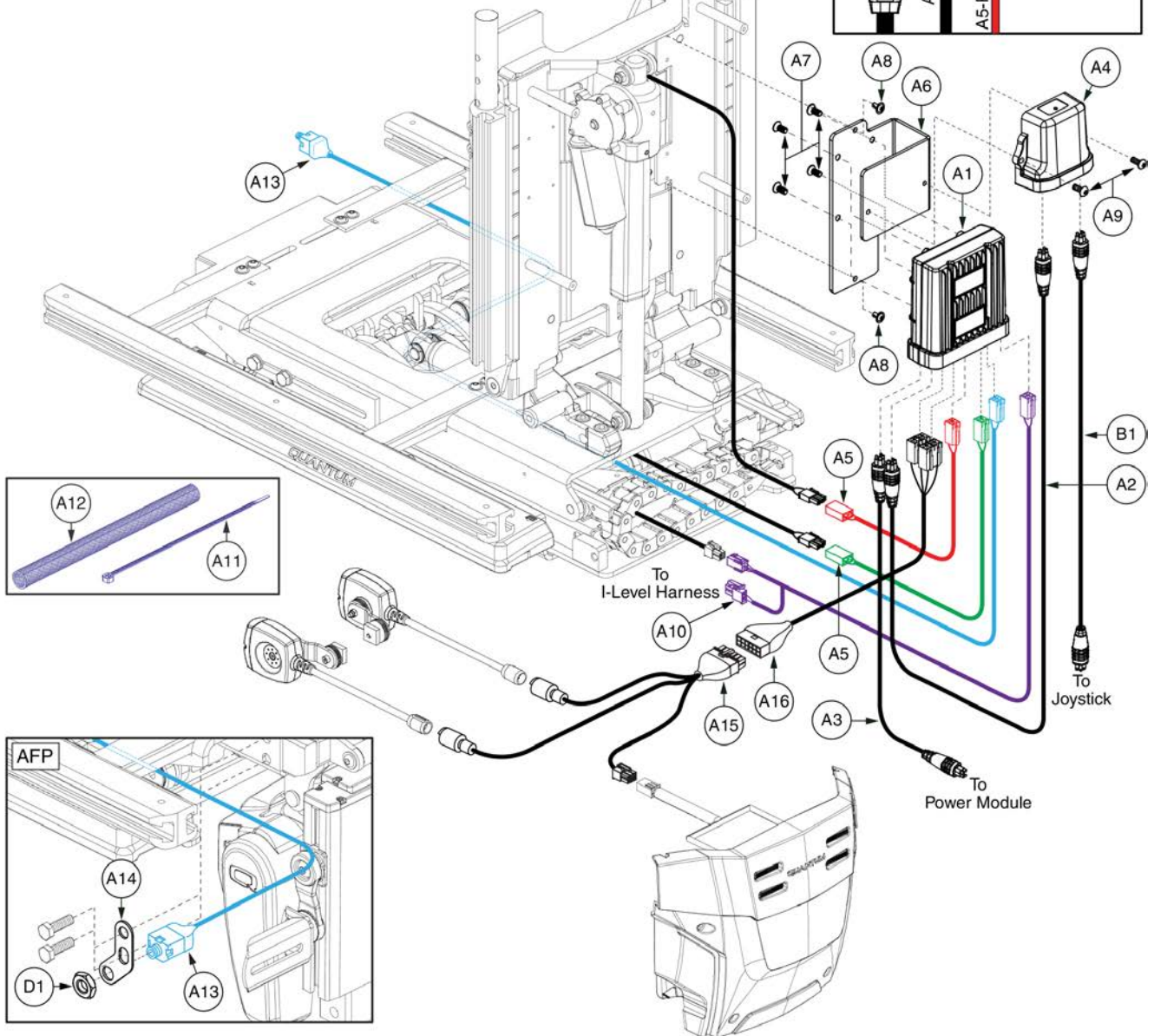
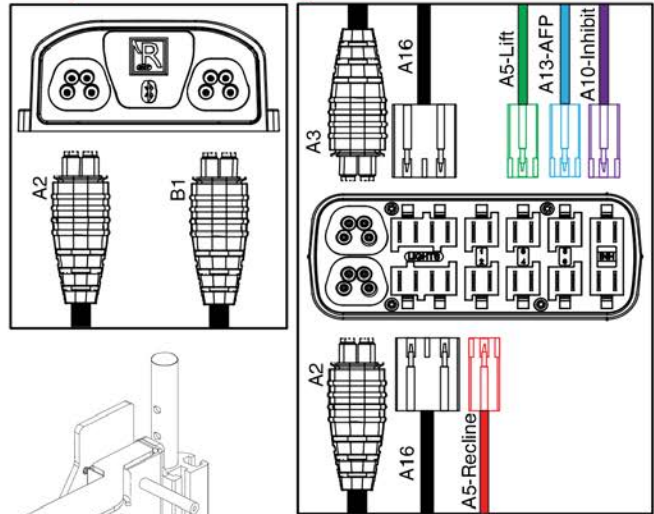
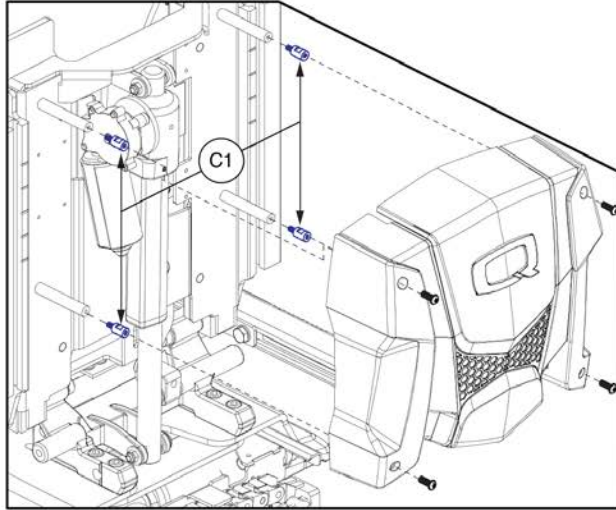


All harnesses from/to the powerbase and the lift system route through the wire conduit "chain".

Item	Part No.	Name	Qty
A1 - A19	ELE1906182	ELECTRONIC,ASSY,R-NET,W/POWER LEGS,TRU-BALANCE 3 POWER ADJUSTABLE SEAT LIFT & RECLINE,W/LIGHTS,Q6EDGE 3 STRETTO	1
A1 - A17	ELE1906914	ELECTRONIC,ASSY,R-NET,W/POWER LEGS,TRU-BALANCE 3 POWER ADJUSTABLE SEAT LIFT & RECLINE,Q6EDGE 3 STRETTO	1
A1	CTLDC1523	ELECTRONIC,MODULE,ISM,ACTUATOR AND LIGHTING,H-1111-117	1
A2	DWR1111H565	ELECTRONIC,HARNESS,BUS CABLE,0.5 METER,MALE/MALE,R-NET	1
A3	DWR1111H567	ELECTRONIC,HARNESS,BUS CABLE,1.0 METER,MALE/MALE,R-NET	1
A4	CTL137838	R-NET TILT/ASM MODULE (D51508)	1
A5	ELE136088	ELECTRONIC,HARNESS,R-NET ACTUATOR INTERFACE,MOLEX/INTECH	2
A6	MEC138354	BRACKET,R-NET ISM-L,TRU-BALANCE 3	1
A7	SCRSHFH1015	SCREW,SHFH,BLACK ZINC,M5-8 X 12MM,GRADE 10.9	4
A8	HDW123677	SCREW,FLANGED BUTTON HEAD, M4X0.7 X 10, ISO 7380-2, CL 10.9, BZ, PVTP	2
A9	HDW125022	SCREW,BHSCS,BLACK ZINC,M5-8 X 12MM,W/NYLON PATCH	2
A10	DWR1265H077	ELECTRONIC,HARNESS,R-NET,ELR ACTUATOR HARNESS,RIGHT	1
A11	DWR1265H078	ELECTRONIC,HARNESS,R-NET,ELR ACTUATOR HARNESS,LEFT	1
A12	ELE1808847	HARNESS, INTERMEDIATE, ILEVEL EDGE MINI, SEAT, R-NET	1
A13	PLSTIE1004	TIE WRAP,BLACK,8"	5
A14	ELE146865	ELECTRONIC,SELF WRAPPING,5/8"D,10"L,SPLIT TUBULAR WOVEN SLEEVE,TECHFLEX(F6W0.63BK10)	1
A15	DWR1303B026	ELECTRICAL CONNECTION BRACKET,ARTICULATING LEGREST	2
A16	NUT8120005	NUT,T-SLOT,BLACK,M8-1.25	2
A17	SCRHHCS1382	SCREW,HHCS,BLACK ZINC CHROMATE,M8-1.25 X 12MM,10.9	2
A18	ELE1808585	HARNESS, LIGHT INTERFACE, EDGE MINI, REAR SEAT MODULE, W/LIFT	1
A19	ELE1808809	HARNESS, LIGHT MODULE INTERFACE, RNET, EDGE MINI	1
B1	DWR1111H565	ELECTRONIC,HARNESS,BUS CABLE,0.5 METER,MALE/MALE,R-NET	1
C1	NUTJAM1032	NUT,JAM,THIN,STAINLESS STEEL,3/8-32	2
D1	HDW131337	STANDOFF,MALE-FEMALE,M4-0.7 X 15MM	4

Lift & Recline, REAC Lift / I-Level

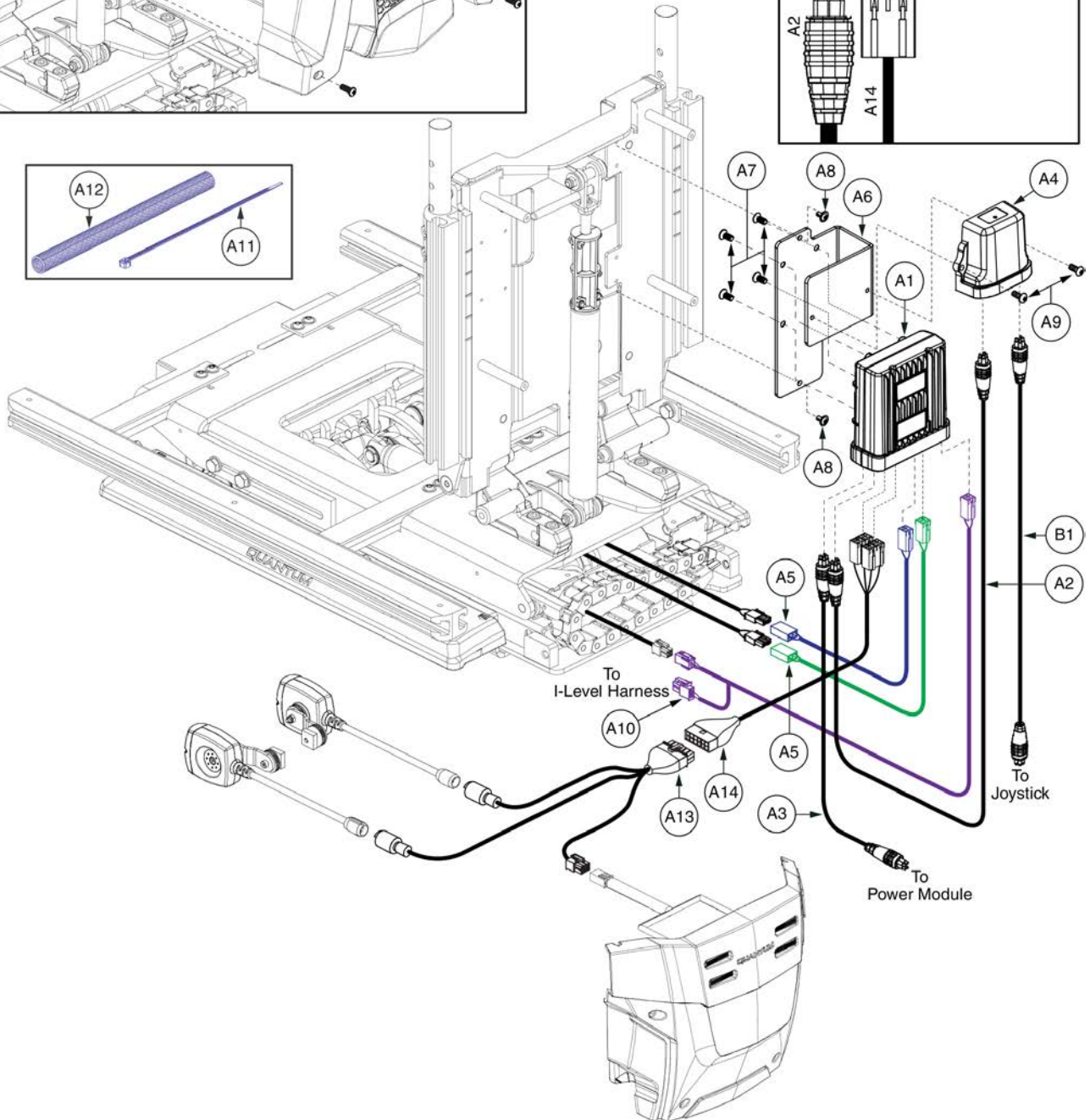
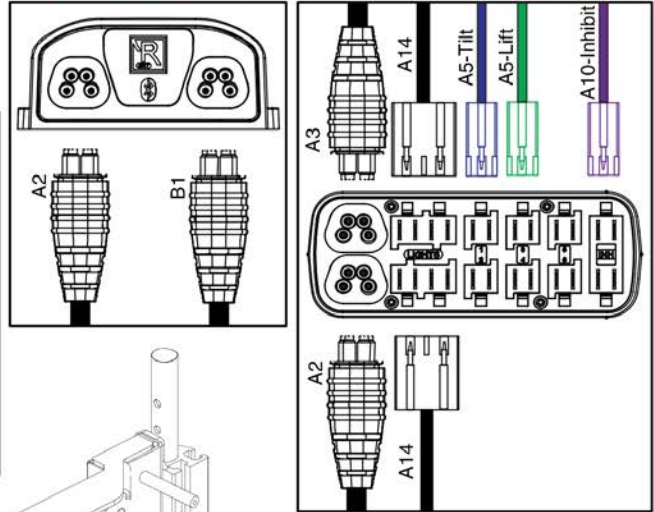
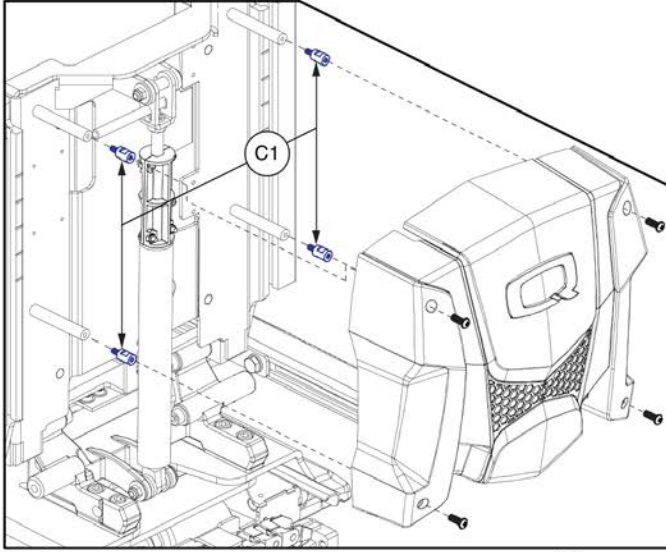
All harnesses from/to the powerbase and the lift system route through the wire conduit "chain".



Item	Part No.	Name	Qty
A1 - A16	ELE1906183	ELECTRONIC,ASSY,R-NET,W/POWER ARTICULATING FOOT PLATFORM,TRU-BALANCE 3 POWER ADJUSTABLE SEAT LIFT & RECLINE,W/LIGHTS,Q6EDGE 3 STRETTO	1
A1 - A14	ELE1906915	ELECTRONIC,ASSY,R-NET,W/POWER ARTICULATING FOOT PLATFORM,TRU-BALANCE 3 POWER ADJUSTABLE SEAT LIFT & RECLINE,Q6EDGE 3 STRETTO	1
A1	CTLDC1523	ELECTRONIC,MODULE,ISM,ACTUATOR AND LIGHTING,H-1111-117	1
A2	DWR1111H565	ELECTRONIC,HARNESS,BUS CABLE,0.5 METER,MALE/MALE,R-NET	1
A3	DWR1111H567	ELECTRONIC,HARNESS,BUS CABLE,1.0 METER,MALE/MALE,R-NET	1
A4	CTL137838	R-NET TILT/ASM MODULE (D51508)	1
A5	ELE136088	ELECTRONIC,HARNESS,R-NET ACTUATOR INTERFACE,MOLEX/INTECH	2
A6	MEC138354	BRACKET,R-NET ISM-L,TRU-BALANCE 3	1
A7	SCRSHFH1015	SCREW,SHFH,BLACK ZINC,M5-8 X 12MM,GRADE 10.9	4
A8	HDW123677	SCREW,FLANGED BUTTON HEAD, M4X0.7 X 10, ISO 7380-2, CL 10.9, BZ, PVTP	2
A9	HDW125022	SCREW,BHSCS,BLACK ZINC,M5-8 X 12MM,W/NYLON PATCH	2
A10	ELE1808847	HARNESS, INTERMEDIATE, ILEVEL EDGE MINI, SEAT, R-NET	1
A11	PLSTIE1004	TIE WRAP,BLACK,8"	5
A12	ELE146865	ELECTRONIC,SELF WRAPPING,5/8"D,10"L,SPLIT TUBULAR WOVEN SLEEVE,TECHFLEX(F6W0.63BK10)	1
A13	DWR1265H077	ELECTRONIC,HARNESS,R-NET,ELR ACTUATOR HARNESS,RIGHT	1
A14	MEC130241	ELECTRICAL CONNECTION BRACKET,AFP,TB3	1
A15	ELE1808585	HARNESS, LIGHT INTERFACE, EDGE MINI, REAR SEAT MODULE, W/LIFT	1
A16	ELE1808809	HARNESS, LIGHT MODULE INTERFACE, RNET, EDGE MINI	1
B1	DWR1111H565	ELECTRONIC,HARNESS,BUS CABLE,0.5 METER,MALE/MALE,R-NET	1
C1	HDW131337	STANDOFF,MALE-FEMALE,M4-0.7 X 15MM	4
D1	NUTJAM1032	NUT,JAM,THIN,STAINLESS STEEL,3/8-32	2

Lift & Tilt, REAC Lift / I-Level

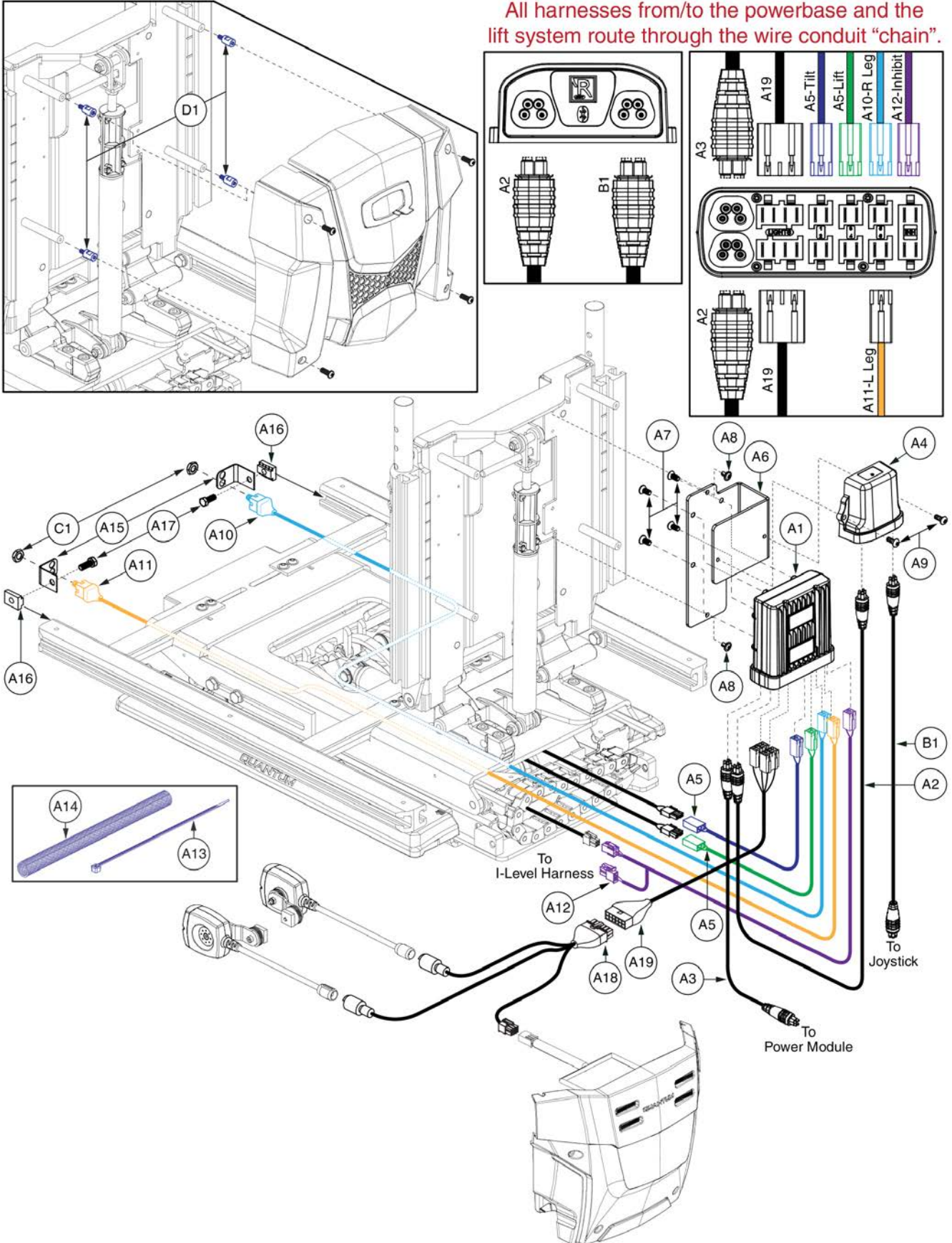
All harnesses from/to the powerbase and the lift system route through the wire conduit "chain".



Item	Part No.	Name	Qty
A1 - A14	ELE1906042	ELECTRONIC,ASSY,R-NET,TRU-BALANCE 3 POWER ADJUSTABLE SEAT LIFT & TILT,W/LIGHTS,EDGE 3 STRETTO	1
A1 - A12	ELE1906907	ELECTRONIC,ASSY,R-NET,TRU-BALANCE 3 POWER ADJUSTABLE SEAT LIFT & TILT,Q6EDGE 3 STRETTO	1
A1	CTLDC1523	ELECTRONIC,MODULE,ISM,ACTUATOR AND LIGHTING,H-1111-117	1
A2	DWR1111H565	ELECTRONIC,HARNESS,BUS CABLE,0.5 METER,MALE/MALE,R-NET	1
A3	DWR1111H567	ELECTRONIC,HARNESS,BUS CABLE,1.0 METER,MALE/MALE,R-NET	1
A4	CTL137838	R-NET TILT/ASM MODULE (D51508)	1
A5	ELE136088	ELECTRONIC,HARNESS,R-NET ACTUATOR INTERFACE,MOLEX/INTECH	2
A6	MEC138354	BRACKET,R-NET ISM-L,TRU-BALANCE 3	1
A7	SCRSHFH1015	SCREW,SHFH,BLACK ZINC,M5-.8 X 12MM,GRADE 10.9	4
A8	HDW123677	SCREW,FLANGED BUTTON HEAD, M4X0.7 X 10, ISO 7380-2, CL 10.9, BZ, PVTP	2
A9	HDW125022	SCREW,BHSCS,BLACK ZINC,M5-.8 X 12MM,W/NYLON PATCH	2
A10	ELE1808847	HARNESS, INTERMEDIATE, ILEVEL EDGE MINI, SEAT, R-NET	1
A11	PLSTIE1004	TIE WRAP,BLACK,8"	5
A12	ELE146865	ELECTRONIC,SELF WRAPPING,5/8"D,10"L,SPLIT TUBULAR WOVEN SLEEVE,TECHFLEX(F6W0.63BK10)	1
A13	ELE1808585	HARNESS, LIGHT INTERFACE, EDGE MINI, REAR SEAT MODULE, W/LIFT	1
A14	ELE1808809	HARNESS, LIGHT MODULE INTERFACE, RNET, EDGE MINI	1
B1	DWR1111H565	ELECTRONIC,HARNESS,BUS CABLE,0.5 METER,MALE/MALE,R-NET	1
C1	HDW131337	STANDOFF,MALE-FEMALE,M4-0.7 X 15MM	4

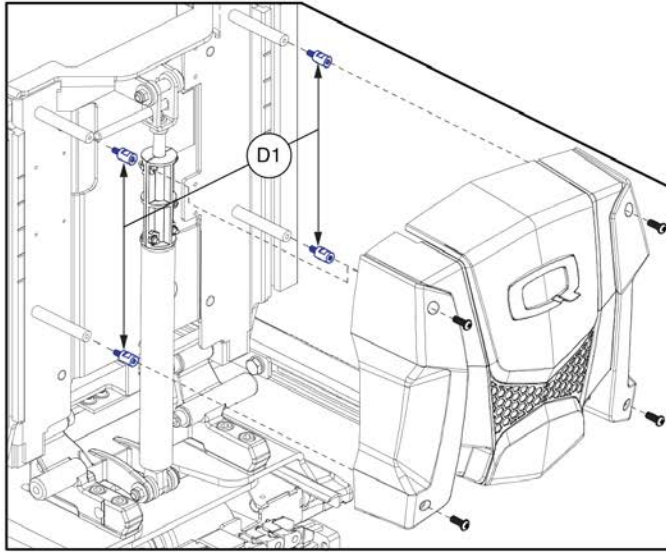
Lift & Tilt, REAC Lift / I-Level

All harnesses from/to the powerbase and the lift system route through the wire conduit "chain".

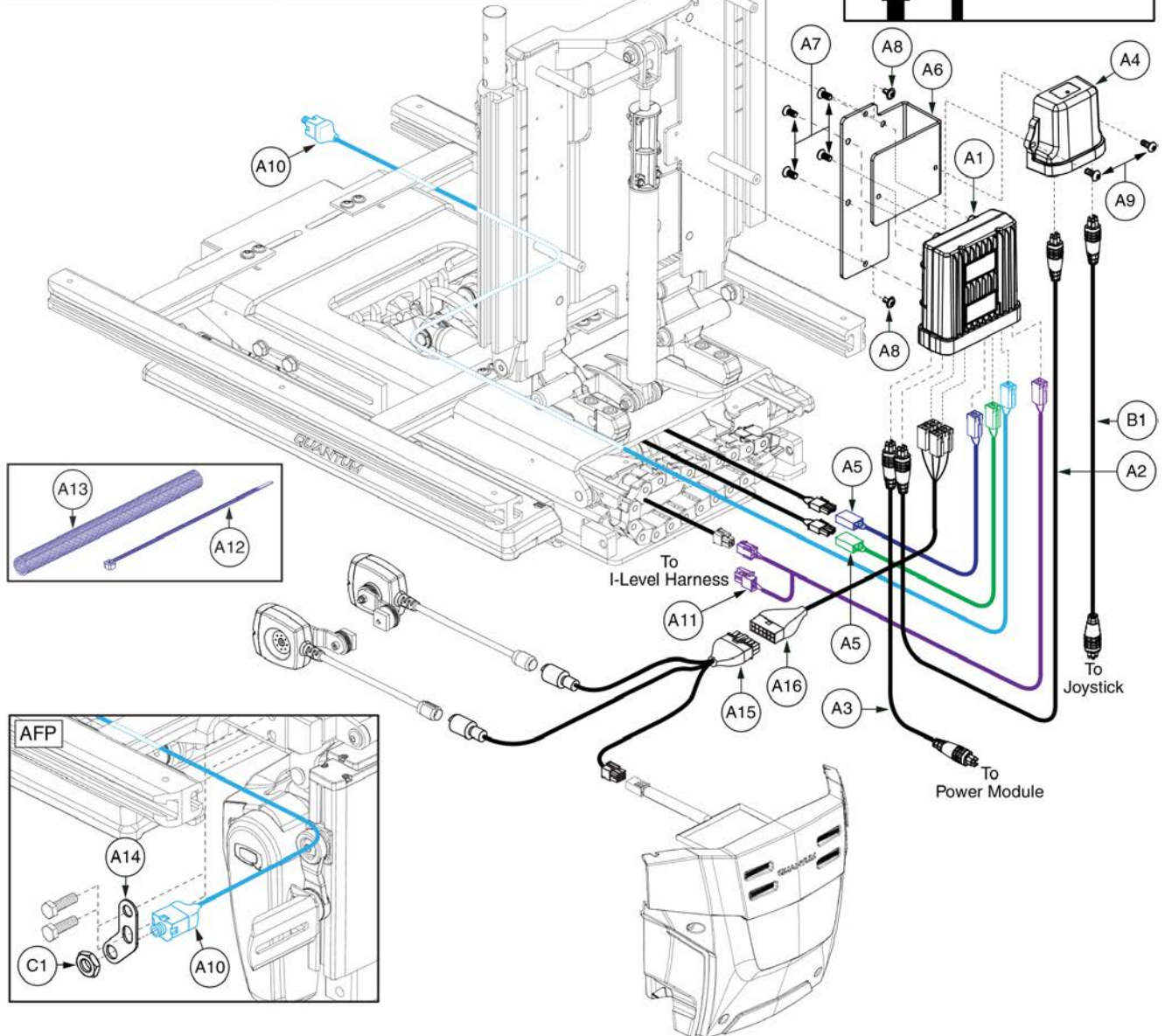
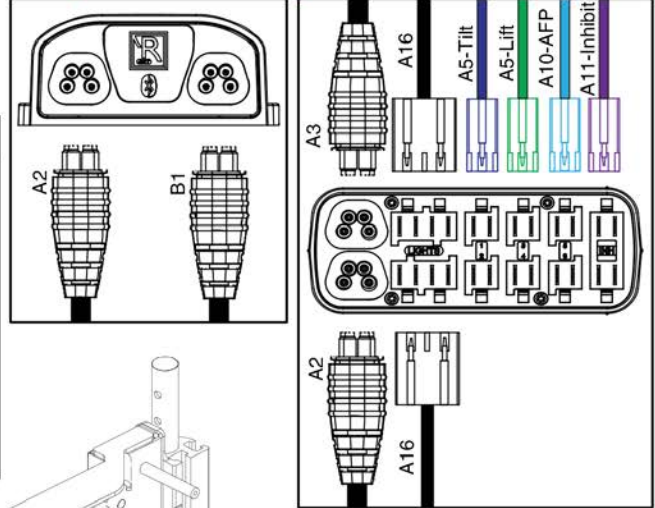


Item	Part No.	Name	Qty
A1 - A19	ELE1906055	ELECTRONIC,ASSY,R-NET,W/POWER LEGS,TRU-BALANCE 3 POWER ADJUSTABLE SEAT LIFT & TILT,W/LIGHTS,EDGE 3 STRETTO	1
A1 - A17	ELE1906908	ELECTRONIC,ASSY,R-NET,W/POWER LEGS,TRU-BALANCE 3 POWER ADJUSTABLE SEAT LIFT & TILT,Q6EDGE 3 STRETTO	1
A1	CTLDC1523	ELECTRONIC,MODULE,ISM,ACTUATOR AND LIGHTING,H-1111-117	1
A2	DWR1111H565	ELECTRONIC,HARNESS,BUS CABLE,0.5 METER,MALE/MALE,R-NET	1
A3	DWR1111H567	ELECTRONIC,HARNESS,BUS CABLE,1.0 METER,MALE/MALE,R-NET	1
A4	CTL137838	R-NET TILT/ASM MODULE (D51508)	1
A5	ELE136088	ELECTRONIC,HARNESS,R-NET ACTUATOR INTERFACE,MOLEX/INTECH	2
A6	MEC138354	BRACKET,R-NET ISM-L,TRU-BALANCE 3	1
A7	SCRSHFH1015	SCREW,SHFH,BLACK ZINC,M5-8 X 12MM,GRADE 10.9	4
A8	HDW123677	SCREW,FLANGED BUTTON HEAD, M4X0.7 X 10, ISO 7380-2, CL 10.9, BZ, PVTP	2
A9	HDW125022	SCREW,BHSCS,BLACK ZINC,M5-8 X 12MM,W/NYLON PATCH	2
A10	DWR1265H077	ELECTRONIC,HARNESS,R-NET,ELR ACTUATOR HARNESS,RIGHT	1
A11	DWR1265H078	ELECTRONIC,HARNESS,R-NET,ELR ACTUATOR HARNESS,LEFT	1
A12	ELE1808847	HARNESS, INTERMEDIATE, ILEVEL EDGE MINI, SEAT, R-NET	1
A13	PLSTIE1004	TIE WRAP,BLACK,8"	5
A14	ELE146865	ELECTRONIC,SELF WRAPPING,5/8"D,10"L,SPLIT TUBULAR WOVEN SLEEVE,TECHFLEX(F6W0.63BK10)	1
A15	DWR1303B026	ELECTRICAL CONNECTION BRACKET,ARTICULATING LEGREST	2
A16	NUT8120005	NUT,T-SLOT,BLACK,M8-1.25	2
A17	SCRHHCS1382	SCREW,HHCS,BLACK ZINC CHROMATE,M8-1.25 X 12MM,10.9	2
A18	ELE1808585	HARNESS, LIGHT INTERFACE, EDGE MINI, REAR SEAT MODULE, W/LIFT	1
A19	ELE1808809	HARNESS, LIGHT MODULE INTERFACE, RNET, EDGE MINI	1
B1	DWR1111H565	ELECTRONIC,HARNESS,BUS CABLE,0.5 METER,MALE/MALE,R-NET	1
C1	NUTJAM1032	NUT,JAM,THIN,STAINLESS STEEL,3/8-32	2
D1	HDW131337	STANDOFF,MALE-FEMALE,M4-0.7 X 15MM	4

Lift & Tilt, REAC Lift / I-Level

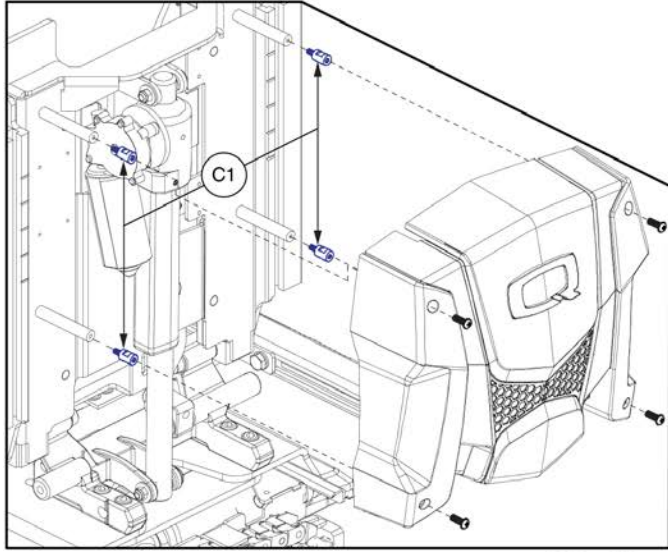


All harnesses from/to the powerbase and the lift system route through the wire conduit "chain".

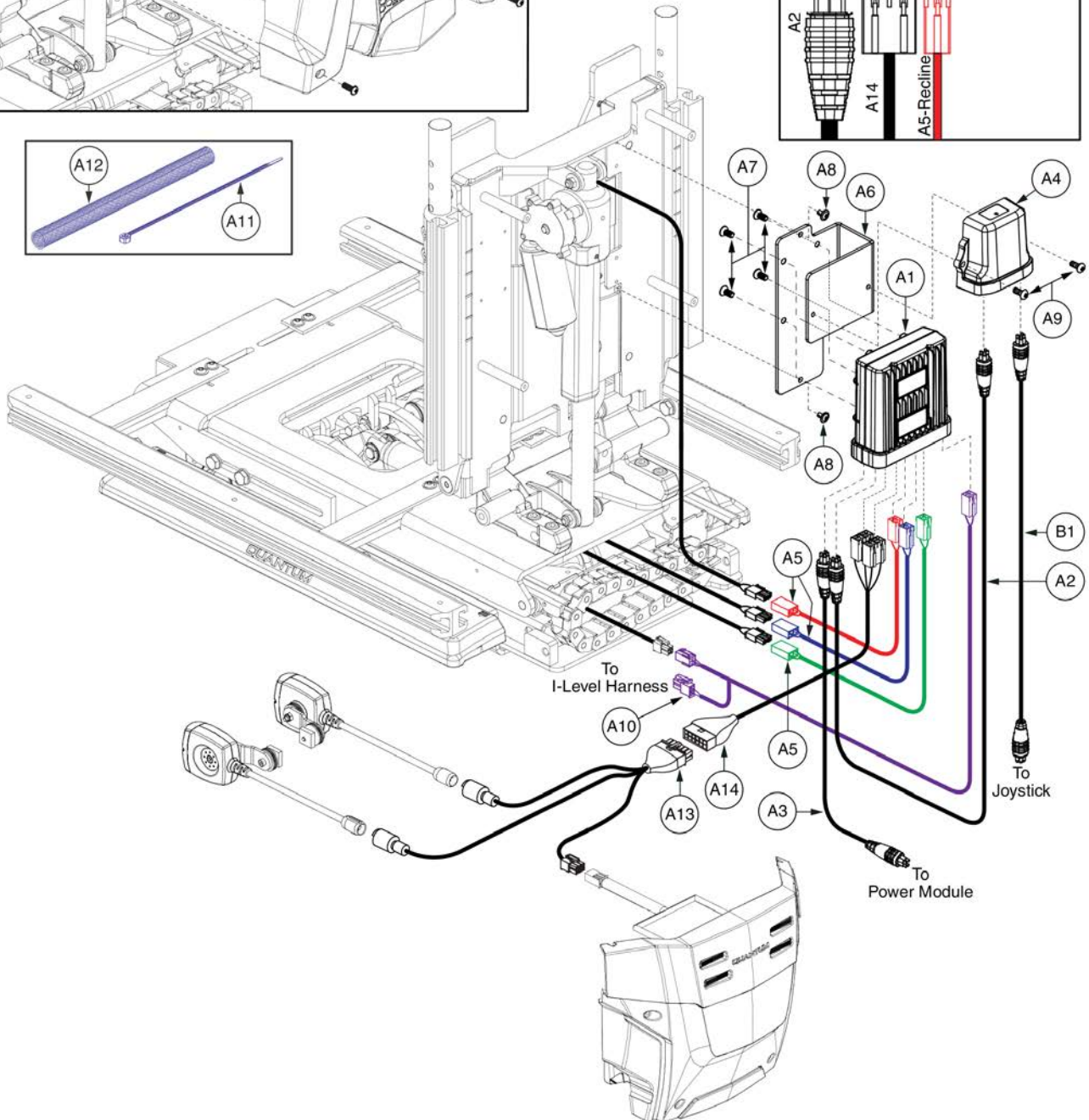
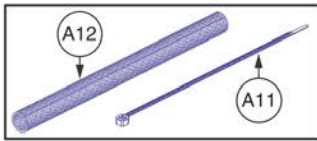
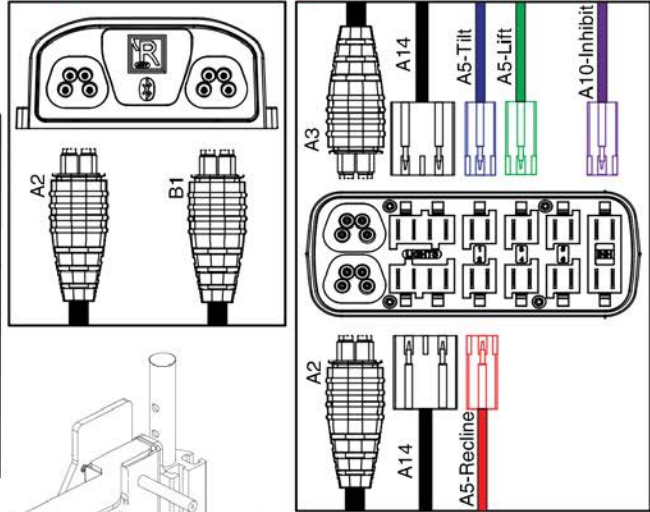


Item	Part No.	Name	Qty
A1 - A16	ELE1906058	ELECTRONIC,ASSY,R-NET,W/POWER ARTICULATING FOOT PLATFORM,TRU-BALANCE 3 POWER ADJUSTABLE SEAT LIFT & TILT,W/LIGHTS,EDGE 3 STRETTO	1
A1 - A14	ELE1906909	ELECTRONIC,ASSY,R-NET,W/POWER ARTICULATING FOOT PLATFORM,TRU-BALANCE 3 POWER ADJUSTABLE SEAT LIFT & TILT,Q6EDGE 3 STRETTO	1
A1	CTLDC1523	ELECTRONIC,MODULE,ISM,ACTUATOR AND LIGHTING,H-1111-117	1
A2	DWR1111H565	ELECTRONIC,HARNESS,BUS CABLE,0.5 METER,MALE/MALE,R-NET	1
A3	DWR1111H567	ELECTRONIC,HARNESS,BUS CABLE,1.0 METER,MALE/MALE,R-NET	1
A4	CTL137838	R-NET TILT/ASM MODULE (D51508)	1
A5	ELE136088	ELECTRONIC,HARNESS,R-NET ACTUATOR INTERFACE,MOLEX/INTECH	2
A6	MEC138354	BRACKET,R-NET ISM-L,TRU-BALANCE 3	1
A7	SCRSHFH1015	SCREW,SHFH,BLACK ZINC,M5-8 X 12MM,GRADE 10.9	4
A8	HDW123677	SCREW,FLANGED BUTTON HEAD, M4X0.7 X 10, ISO 7380-2, CL 10.9, BZ, PVTP	2
A9	HDW125022	SCREW,BHSCS,BLACK ZINC,M5-8 X 12MM,W/NYLON PATCH	2
A10	DWR1265H077	ELECTRONIC,HARNESS,R-NET,ELR ACTUATOR HARNESS,RIGHT	1
A11	ELE1808847	HARNESS, INTERMEDIATE, ILEVEL EDGE MINI, SEAT, R-NET	1
A12	PLSTIE1004	TIE WRAP,BLACK,8"	5
A13	ELE146865	ELECTRONIC,SELF WRAPPING,5/8"D,10"L,SPLIT TUBULAR WOVEN SLEEVE,TECHFLEX(F6W0.63BK10)	1
A14	MEC130241	ELECTRICAL CONNECTION BRACKET,AFP,TB3	1
A15	ELE1808585	HARNESS, LIGHT INTERFACE, EDGE MINI, REAR SEAT MODULE, W/LIFT	1
A16	ELE1808809	HARNESS, LIGHT MODULE INTERFACE, RNET, EDGE MINI	1
B1	DWR1111H565	ELECTRONIC,HARNESS,BUS CABLE,0.5 METER,MALE/MALE,R-NET	1
C1	NUTJAM1032	NUT,JAM,THIN,STAINLESS STEEL,3/8-32	1
D1	HDW131337	STANDOFF,MALE-FEMALE,M4-0.7 X 15MM	4

Lift, Tilt, & Recline, REAC Lift / I-Level

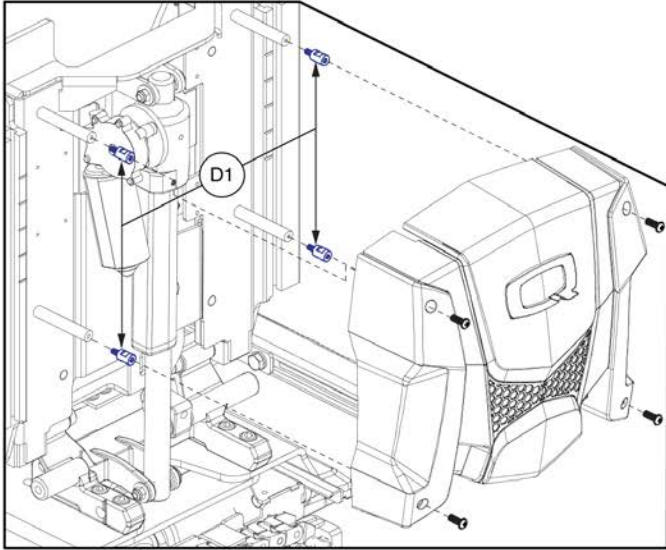


All harnesses from/to the powerbase and the lift system route through the wire conduit "chain".

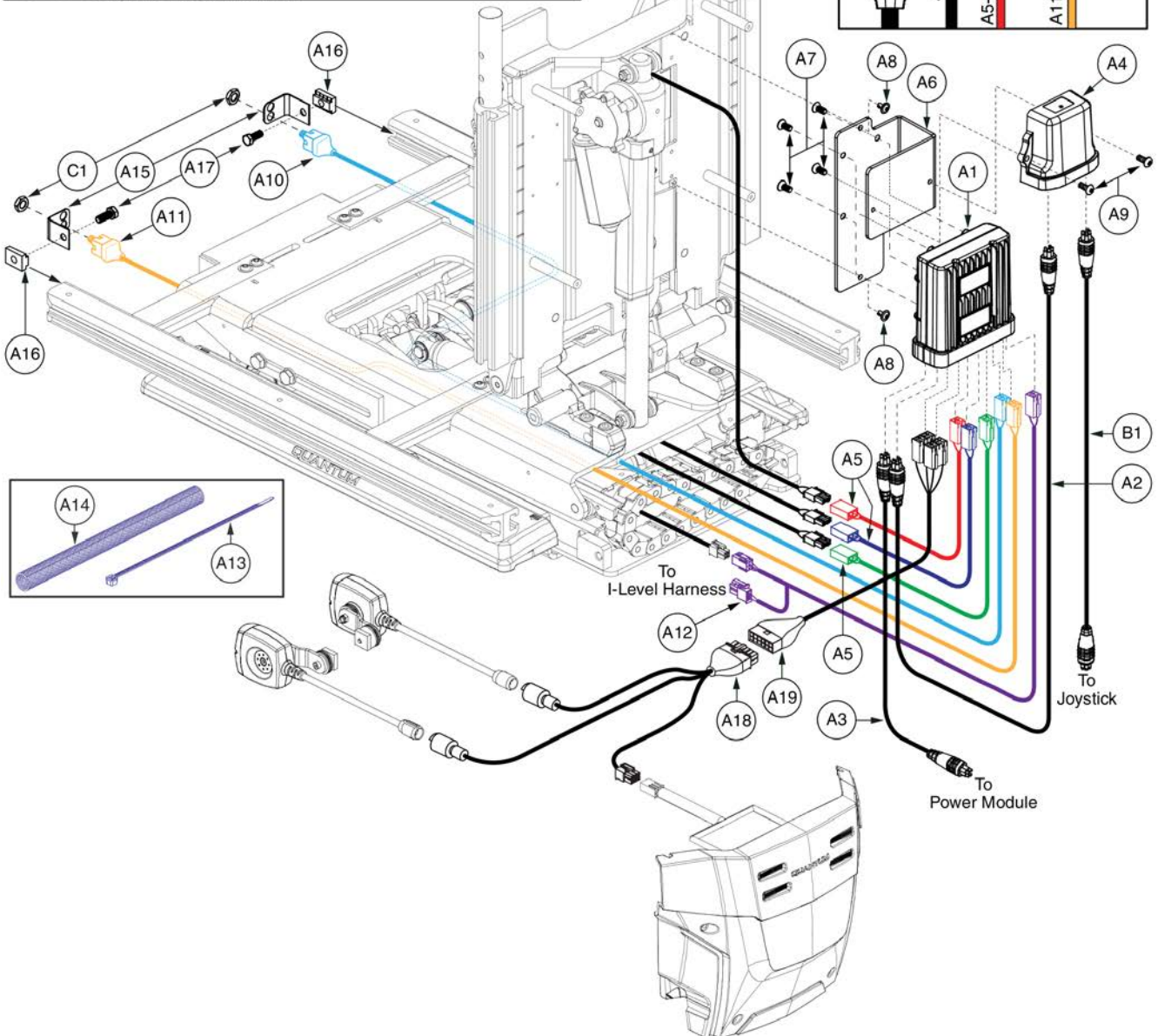
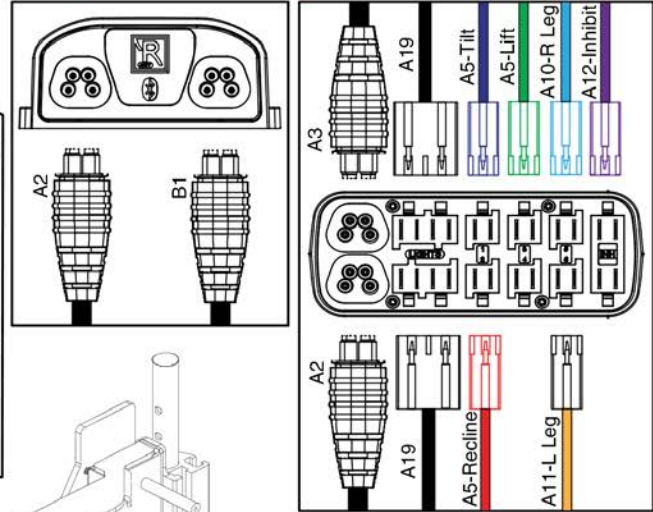


Item	Part No.	Name	Qty
A1 - A14	ELE1906178	ELECTRONIC,ASSY,R-NET,TRU-BALANCE 3 POWER ADJUSTABLE SEAT LIFT TILT & RECLINE,W/LIGHTS,Q6EDGE 3 STRETTO	1
A1 - A12	ELE1906910	ELECTRONIC,ASSY,R-NET,TRU-BALANCE 3 POWER ADJUSTABLE SEAT LIFT TILT & RECLINE,Q6EDGE 3 STRETTO	1
A1	CTLDC1523	ELECTRONIC,MODULE,ISM,ACTUATOR AND LIGHTING,H-1111-117	1
A2	DWR1111H565	ELECTRONIC,HARNESS,BUS CABLE,0.5 METER,MALE/MALE,R-NET	1
A3	DWR1111H567	ELECTRONIC,HARNESS,BUS CABLE,1.0 METER,MALE/MALE,R-NET	1
A4	CTL137838	R-NET TILT/ASM MODULE (D51508)	1
A5	ELE136088	ELECTRONIC,HARNESS,R-NET ACTUATOR INTERFACE,MOLEX/INTECH	3
A6	MEC138354	BRACKET,R-NET ISM-L,TRU-BALANCE 3	1
A7	SCRSHFH1015	SCREW,SHFH,BLACK ZINC,M5-8 X 12MM,GRADE 10.9	4
A8	HDW123677	SCREW,FLANGED BUTTON HEAD, M4X0.7 X 10, ISO 7380-2, CL 10.9, BZ, PVTP	2
A9	HDW125022	SCREW,BHSCS,BLACK ZINC,M5-8 X 12MM,W/NYLON PATCH	2
A10	ELE1808847	HARNESS, INTERMEDIATE, ILEVEL EDGE MINI, SEAT, R-NET	1
A11	PLSTIE1004	TIE WRAP,BLACK,8"	5
A12	ELE146865	ELECTRONIC,SELF WRAPPING,5/8"D,10"L,SPLIT TUBULAR WOVEN SLEEVE,TECHFLEX(F6W0.63BK10)	1
A13	ELE1808585	HARNESS, LIGHT INTERFACE, EDGE MINI, REAR SEAT MODULE, W/LIFT	1
A14	ELE1808809	HARNESS, LIGHT MODULE INTERFACE, RNET, EDGE MINI	1
B1	DWR1111H565	ELECTRONIC,HARNESS,BUS CABLE,0.5 METER,MALE/MALE,R-NET	1
C1	HDW131337	STANDOFF,MALE-FEMALE,M4-0.7 X 15MM	4

Lift, Tilt, & Recline, REAC Lift / I-Level

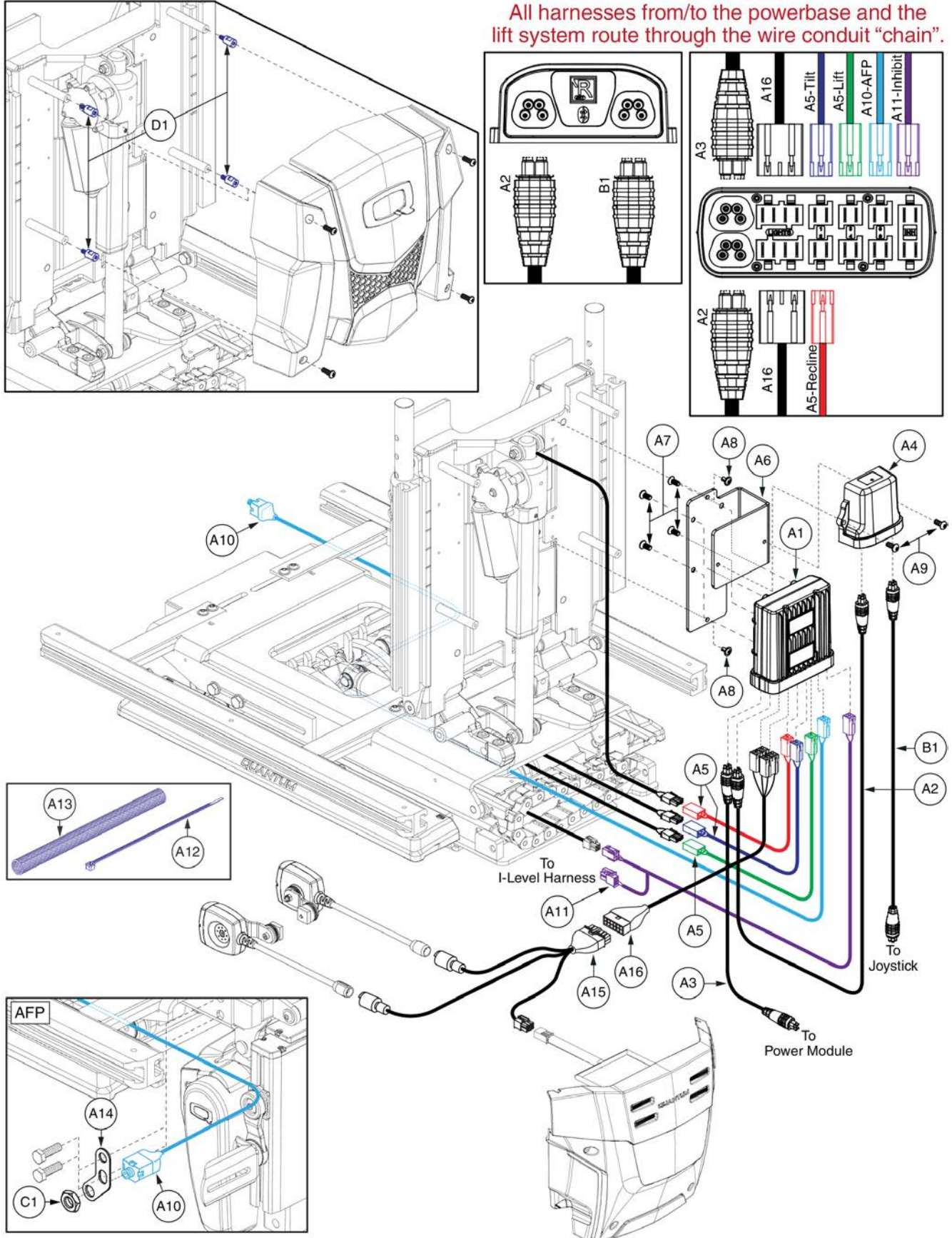


All harnesses from/to the powerbase and the lift system route through the wire conduit "chain".



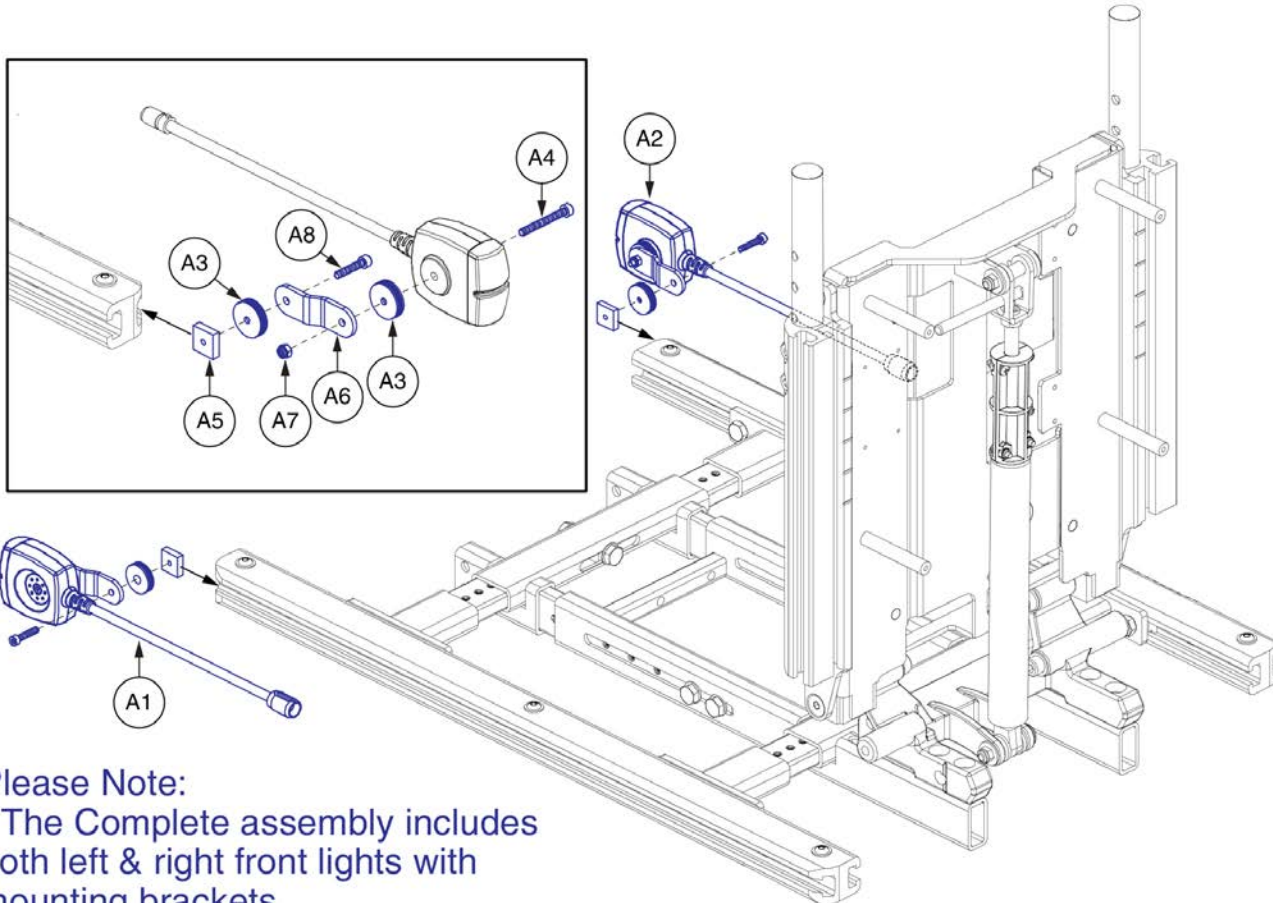
Item	Part No.	Name	Qty
A1 - A19	ELE1906179	ELECTRONIC,ASSY,R-NET,W/POWER LEGS,TRU-BALANCE 3 POWER ADJUSTABLE SEAT LIFT TILT & RECLINE,W/LIGHTS,Q6EDGE 3 STRETTO	1
A1 - A17	ELE1906911	ELECTRONIC,ASSY,R-NET,W/POWER LEGS,TRU-BALANCE 3 POWER ADJUSTABLE SEAT LIFT TILT & RECLINE,Q6EDGE 3 STRETTO	1
A1	CTLDC1523	ELECTRONIC,MODULE,ISM,ACTUATOR AND LIGHTING,H-1111-117	1
A2	DWR1111H565	ELECTRONIC,HARNESS,BUS CABLE,0.5 METER,MALE/MALE,R-NET	1
A3	DWR1111H567	ELECTRONIC,HARNESS,BUS CABLE,1.0 METER,MALE/MALE,R-NET	1
A4	CTL137838	R-NET TILT/ASM MODULE (D51508)	1
A5	ELE136088	ELECTRONIC,HARNESS,R-NET ACTUATOR INTERFACE,MOLEX/INTECH	3
A6	MEC138354	BRACKET,R-NET ISM-L,TRU-BALANCE 3	1
A7	SCRSHFH1015	SCREW,SHFH,BLACK ZINC,M5-8 X 12MM,GRADE 10.9	4
A8	HDW123677	SCREW,FLANGED BUTTON HEAD, M4X0.7 X 10, ISO 7380-2, CL 10.9, BZ, PVTP	2
A9	HDW125022	SCREW,BHSCS,BLACK ZINC,M5-8 X 12MM,W/NYLON PATCH	2
A10	DWR1265H077	ELECTRONIC,HARNESS,R-NET,ELR ACTUATOR HARNESS,RIGHT	1
A11	DWR1265H078	ELECTRONIC,HARNESS,R-NET,ELR ACTUATOR HARNESS,LEFT	1
A12	ELE1808847	HARNESS, INTERMEDIATE, ILEVEL EDGE MINI, SEAT, R-NET	1
A13	PLSTIE1004	TIE WRAP,BLACK,8"	5
A14	ELE146865	ELECTRONIC,SELF WRAPPING,5/8"D,10"L,SPLIT TUBULAR WOVEN SLEEVE,TECHFLEX(F6W0.63BK10)	1
A15	DWR1303B026	ELECTRICAL CONNECTION BRACKET,ARTICULATING LEGREST	2
A16	NUT8120005	NUT,T-SLOT,BLACK,M8-1.25	2
A17	SCRHHCS1382	SCREW,HHCS,BLACK ZINC CHROMATE,M8-1.25 X 12MM,10.9	2
A18	ELE1808585	HARNESS, LIGHT INTERFACE, EDGE MINI, REAR SEAT MODULE, W/LIFT	1
A19	ELE1808809	HARNESS, LIGHT MODULE INTERFACE, RNET, EDGE MINI	1
B1	DWR1111H565	ELECTRONIC,HARNESS,BUS CABLE,0.5 METER,MALE/MALE,R-NET	1
C1	NUTJAM1032	NUT,JAM,THIN,STAINLESS STEEL,3/8-32	2
D1	HDW131337	STANDOFF,MALE-FEMALE,M4-0.7 X 15MM	4

Lift, Tilt, & Recline, REAC Lift / I-Level



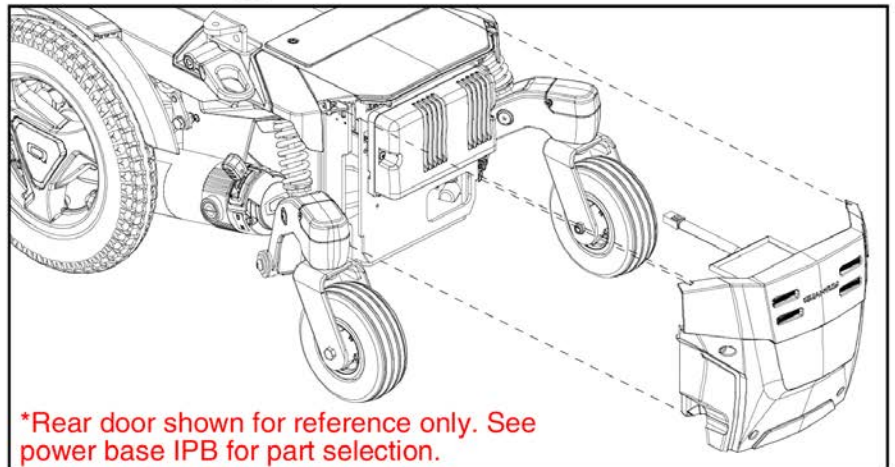
Item	Part No.	Name	Qty
A1 - A16	ELE1906180	ELECTRONIC,ASSY,R-NET,W/POWER ARTICULATING FOOT PLATFORM,TRU-BALANCE 3 POWER ADJUSTABLE SEAT LIFT TILT & RECLINE,W/LIGHTS,Q6EDGE 3 STRETTO	1
A1 - A14	ELE1906912	ELECTRONIC,ASSY,R-NET,W/POWER ARTICULATING FOOT PLATFORM,TRU-BALANCE 3 POWER ADJUSTABLE SEAT LIFT TILT & RECLINE,Q6EDGE 3 STRETTO	1
A1	CTLDC1523	ELECTRONIC,MODULE,ISM,ACTUATOR AND LIGHTING,H-1111-117	1
A2	DWR1111H565	ELECTRONIC,HARNESS,BUS CABLE,0.5 METER,MALE/MALE,R-NET	1
A3	DWR1111H567	ELECTRONIC,HARNESS,BUS CABLE,1.0 METER,MALE/MALE,R-NET	1
A4	CTL137838	R-NET TILT/ASM MODULE (D51508)	1
A5	ELE136088	ELECTRONIC,HARNESS,R-NET ACTUATOR INTERFACE,MOLEX/INTECH	3
A6	MEC138354	BRACKET,R-NET ISM-L,TRU-BALANCE 3	1
A7	SCRSHFH1015	SCREW,SHFH,BLACK ZINC,M5-8 X 12MM,GRADE 10.9	4
A8	HDW123677	SCREW,FLANGED BUTTON HEAD, M4X0.7 X 10, ISO 7380-2, CL 10.9, BZ, PVTP	2
A9	HDW125022	SCREW,BHSCS,BLACK ZINC,M5-8 X 12MM,W/NYLON PATCH	2
A10	DWR1265H077	ELECTRONIC,HARNESS,R-NET,ELR ACTUATOR HARNESS,RIGHT	1
A11	ELE1808847	HARNESS, INTERMEDIATE, ILEVEL EDGE MINI, SEAT, R-NET	1
A12	PLSTIE1004	TIE WRAP,BLACK,8"	5
A13	ELE146865	ELECTRONIC,SELF WRAPPING,5/8"D,10"L,SPLIT TUBULAR WOVEN SLEEVE,TECHFLEX(F6W0.63BK10)	1
A14	MEC130241	ELECTRICAL CONNECTION BRACKET,AFP,TB3	1
A15	ELE1808585	HARNESS, LIGHT INTERFACE, EDGE MINI, REAR SEAT MODULE, W/LIFT	1
A16	ELE1808809	HARNESS, LIGHT MODULE INTERFACE, RNET, EDGE MINI	1
B1	DWR1111H565	ELECTRONIC,HARNESS,BUS CABLE,0.5 METER,MALE/MALE,R-NET	1
C1	NUTJAM1032	NUT,JAM,THIN,STAINLESS STEEL,3/8-32	1
D1	HDW131337	STANDOFF,MALE-FEMALE,M4-0.7 X 15MM	4

Q6 Edge 3 Stretto Seat Mounted Lights



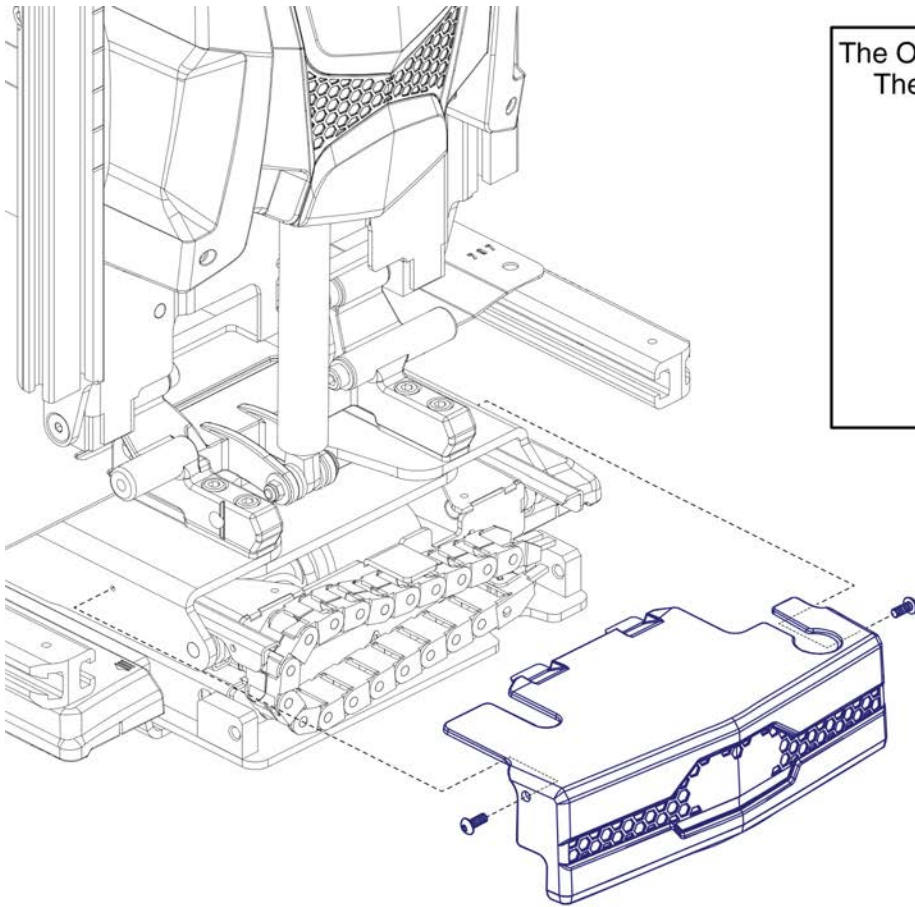
Please Note:

- The Complete assembly includes both left & right front lights with mounting brackets.
- The individual lights do not contain the mounting brackets.



Item	Part No.	Name	Qty
A1 - A8	ELE1905403	FULL LIGHT,ASSY,LED LIGHTS,TRU-BALANCE 3 / FLEX,Q6EDGE 3 STRETTO	1
A1	ELEASMB7120023	FULL LIGHT,ASSY,WHITE/AMBER,LED E-MARKED LIGHTS,SYNERGY,FRONT/LEFT,ELEASMB7120023	1
A2	ELEASMB7120024	FULL LIGHT,ASSY,WHITE/AMBER,LED LIGHTS,SYNERGY,FRONT/RIGHT,ELEASMB7120024	1
A3	DWR1010B161	SPACER,BLACK,PLASTIC,0.157" ID X 0.866" OD X 0.22" TH,B-1010-161	4
A4	SCRSHCS1237	SCREW,SHCS,BLACK ZINC,M4-.7 X 35MM	2
A5	MEC121720	NUT,T-SLOT,M4 X 0.7,TRU-BALANCE 3	2
A6	MEC131475	LIGHT BRACKET,TRU-BALANCE 3	2
A7	NUTNYLK1065	NUT,NYLOCK,BLACK ZINC,M4-.7	2
A8	SCRSHCS1096	SCREW,SHCS,BLACK ZINC,M4-.7 X 20MM	2

6. Rear Wire Cover Shrouds (REAC L&T)



The Original Style Rear Cover, is no longer available. The New, Notched Style is a direct replacement for the Original Style Rear Cover.



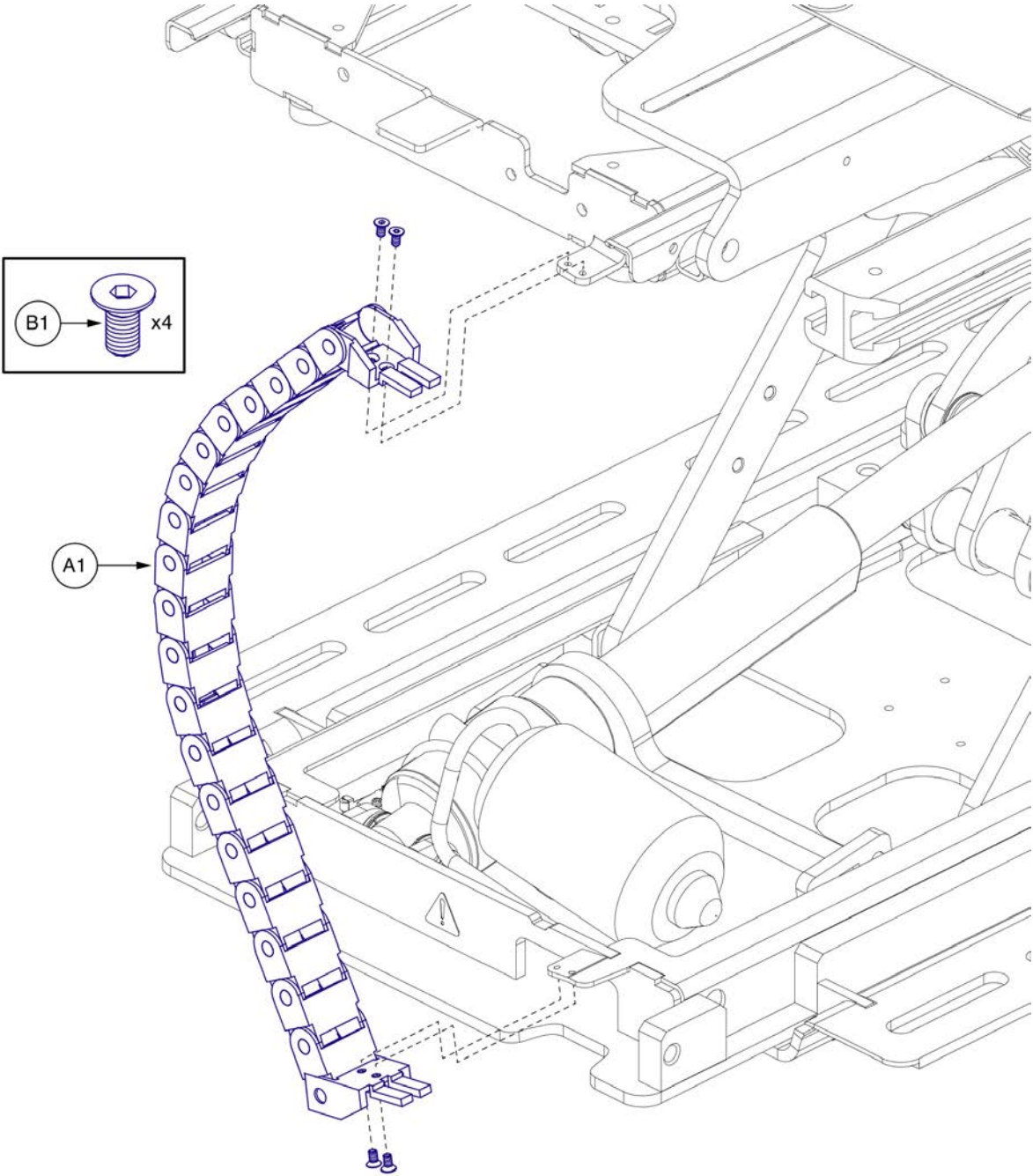
Cover Assemblies (Includes the plastic cover & mounting hardware)	
A1	I-Level Rear Cover, "New" Style
B1	Non I-Level Rear, "New" Style

Rear Wire Cover Shrouds, REAC Lift



Item	Part No.	Name	Qty
A1	DGN1803491	COVER,ASSY,REAR,PLASTIC,TRU-BALANCE 3 LIFT,ILEVEL,W/MOUNTING HARDWARE	1
B1	DGN153134	COVER,ASSY,PLASTIC,TRU-BALANCE 3 LIFT,W/O ILEVEL,W/MOUNTING HARDWARE	1

7. Wire Conduit Chain (REAC L&T)



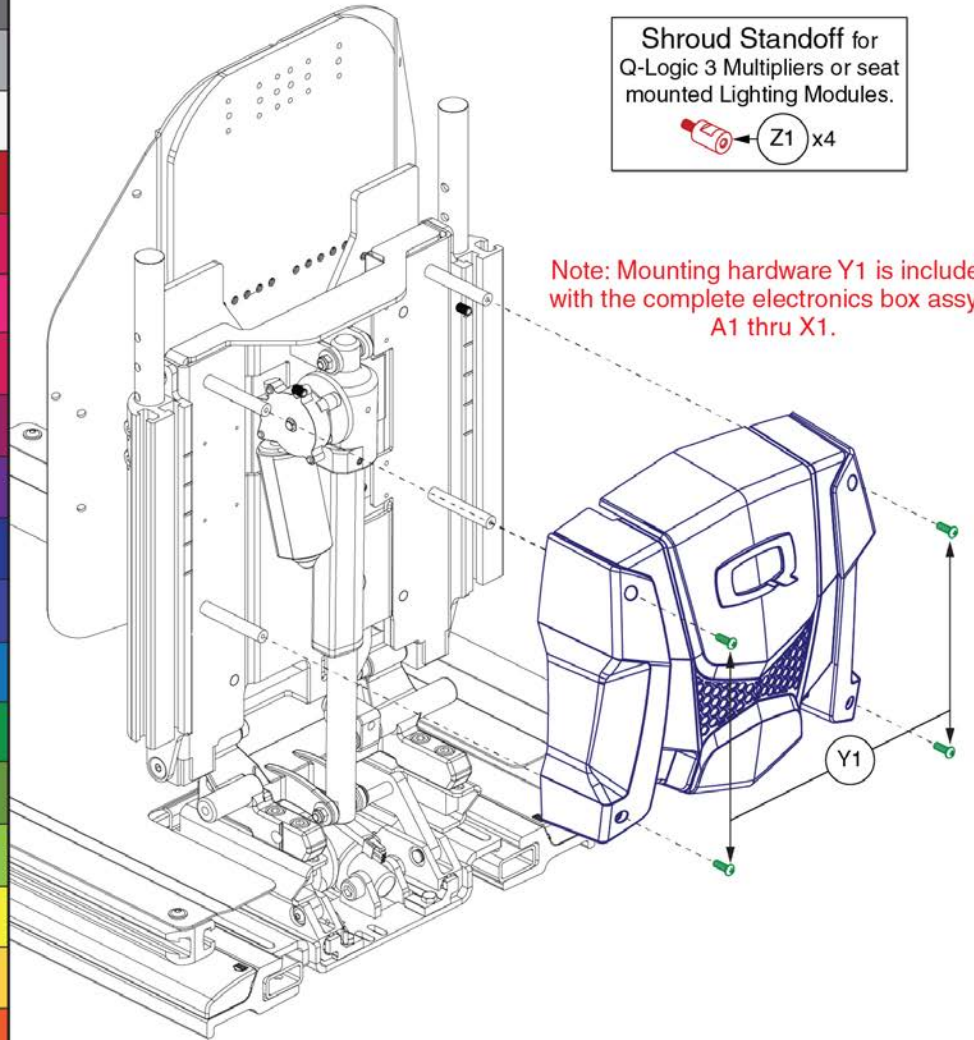
Wire Conduit, REAC Lift



Item	Part No.	Name	Qty
A1	MEC154678	WIRE CHAIN GUIDE ASSEMBLY, REAC LIFT-TILT I	1
B1	HDW144208	SCREW,FHSCS,M3-0.5 X 8MM LG,ZINC PLATE,DIN 7991,(REAC:19150R)	4

8. Electronics Cover Shrouds

TB3 Electronics Box	
Ref#	Color Name
A1	Back in Black
B1	Night Train
C1	Grey Street
D1	Silver Bullet
E1	White Satin
F1	Red Corvette
G1	Cherry Bomb
H1	Pretty in Pink
I1	Raspberry Beret
J1	Sugar Plum
K1	Deep Purple
L1	Midnight Blue
M1	Electric Blue
N1	Blue Jean
O1	Green Machine
P1	Military Green
Q1	Lime Light
R1	Yellow Blaze
S1	Lemon Crush
T1	Orange Crush
U1	Evolution Orange
V1	Carbon Fiber
W1	Digital Camo
X1	Faded Glory

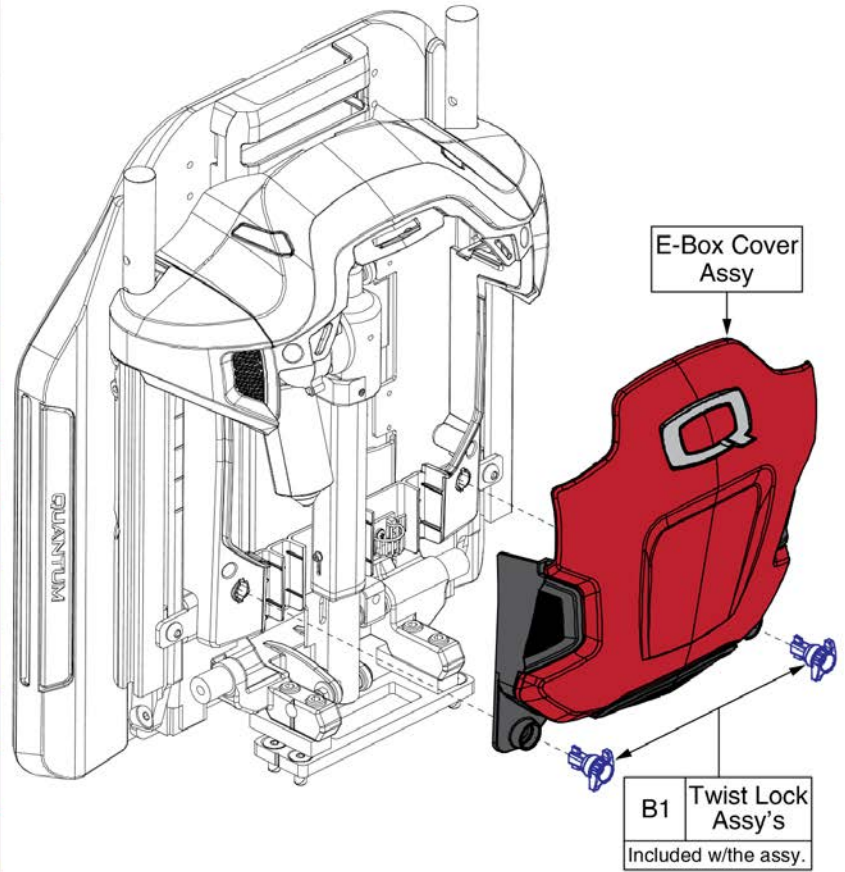


Item	Part No.	Name	Qty
A1	DGN148032	ELECTRONICS BOX,ASSY,BACK IN BLACK,TRU-BALANCE 3,W/MOUNTING HARDWARE	1
B1	DGN1706558	ELECTRONICS BOX,ASSY,NIGHT TRAIN,TB3,W/HARDWARE	1
C1	DGN148074	ELECTRONICS BOX,ASSY,GREY STREET,TB3,W/HARDWARE	1
D1	DGN148047	ELECTRONICS BOX,ASSY,SILVER BULLET,TRU-BALANCE 3,W/MOUNTING HARDWARE	1
E1	DGN148075	ELECTRONICS BOX,ASSY,WHITE SATIN,TB3,W/HARDWARE	1
F1	DGN148034	ELECTRONICS BOX,ASSY,CORVETTE RED,TRU-BALANCE 3,W/MOUNTING HARDWARE	1
G1	DGN1801259-PRD4	ELECTRONICS BOX,ASSY,CHERRY BOMB,TB3,W/HARDWARE	1
H1	DGN148045	ELECTRONICS BOX,ASSY,PRETTY IN PINK,TB3,W/HARDWARE	1
I1	DGN1801259-PPK4	ELECTRONICS BOX,ASSY,RASPBERRY BERET,TB3,W/HARDWARE	1
J1	DGN1801259-PPR7	ELECTRONICS BOX,ASSY,SUGAR PLUM,TB3,W/HARDWARE	1
K1	DGN148046	ELECTRONICS BOX,ASSY,DEEP PURPLE,TB3,W/HARDWARE	1
L1	DGN148035	ELECTRONICS BOX,ASSY,MIDNIGHT BLUE,TB3,W/HARDWARE	1
M1	DGN148076	ELECTRONICS BOX,ASSY,ELECTRIC BLUE,TRU-BALANCE 3,W/MOUNTING HARDWARE	1
N1	DGN1801259-PBU11	ELECTRONICS BOX,ASSY,BLUE JEAN,TB3,W/HARDWARE	1
O1	DGN1801259-PGN11	ELECTRONICS BOX,ASSY,GREEN MACHINE,TB3,W/HARDWARE	1
P1	DGN148037	ELECTRONICS BOX,ASSY,MILITARY GREEN,TB3,W/HARDWARE	1
Q1	DGN148036	ELECTRONICS BOX,ASSY,LIME LIGHT,TB3,W/HARDWARE	1
R1	DGN148077	ELECTRONICS BOX,ASSY,YELLOW BLAZE,TB3,W/HARDWARE	1
S1	DGN1801259-PYL4	ELECTRONICS BOX,ASSY,LEMON CRUSH,TB3,W/HARDWARE	1
T1	DGN148038	ELECTRONICS BOX,ASSY,ORANGE CRUSH,TB3,W/HARDWARE	1
U1	DGN1801259-POR7	ELECTRONICS BOX,ASSY,EVOLUTION ORANGE,TB3,W/HARDWARE	1
V1	DGN1707169	ELECTRONICS BOX,ASSY,CARBON FIBER,TB3,W/HARDWARE	1
W1	DGN1707171	ELECTRONICS BOX,ASSY,DIGITAL CAMO,TB3,W/HARDWARE	1
X1	DGN1707173	ELECTRONICS BOX,ASSY,FADED GLORY,TB3,W/HARDWARE	1
Y1	SCRPPH1163	SCREW, PAN HEAD, TYPE H, M4X0.7 X 10, FT, ISO 7045, CL 4.8, BZ	4
Z1	HDW131337	STANDOFF,MALE-FEMALE,M4-0.7 X 15MM	4

9. Electronics Cover Shrouds - TB3 Redesigned Back

Painted E-Box Assy			
Ref#	Color Name	Part Suffix	Color Code
A1a	Back in Black	PBK1	PPW-BLK-01
A1b	Night Train	PBK3	PPW-BLK-03
A1c	Grey Street	PSL3	PPW-SIL-03
A1d	White Satin	PWT2	PPW-WHT-02
A1e	Red Corvette	PRD1	PPW-RED-01
A1f	Cherry Bomb	PRD4	PPW-RED-04
A1g	Pretty in Pink	PPK3	PPW-PNK-03
A1h	Raspberry Beret	PPK4	PPW-PNK-04
A1i	Sugar Plum	PPR7	PPW-PRP-07
A1j	Deep Purple	PPR5	PPW-PRP-05
A1k	Midnight Blue	PBU10	PPW-BLU-10
A1l	Electric Blue	PBU9	PPW-BLU-09
A1m	Blue Jean	PBU11	PPW-BLU-11
A1n	Green Machine	PGN11	PPW-GRN-11
A1o	Military Green	PGN8	PPW-GRN-08
A1p	Lemon Crush	PYL4	PPW-YEL-04
A1q	Evolution Orange	POR7	PPW-ORN-07
A1r	Carbon Fiber	WCB1	PWT-CBN-01
A1s	Digital Camo	WCM7	PWT-CMO-07
A1t	Faded Glory	WFL2	PWT-FLG-02

Please note: The Painted E-Box Cover is only available as an assembly. The components are not available individually.
All mounting hardware is included with the assembly.

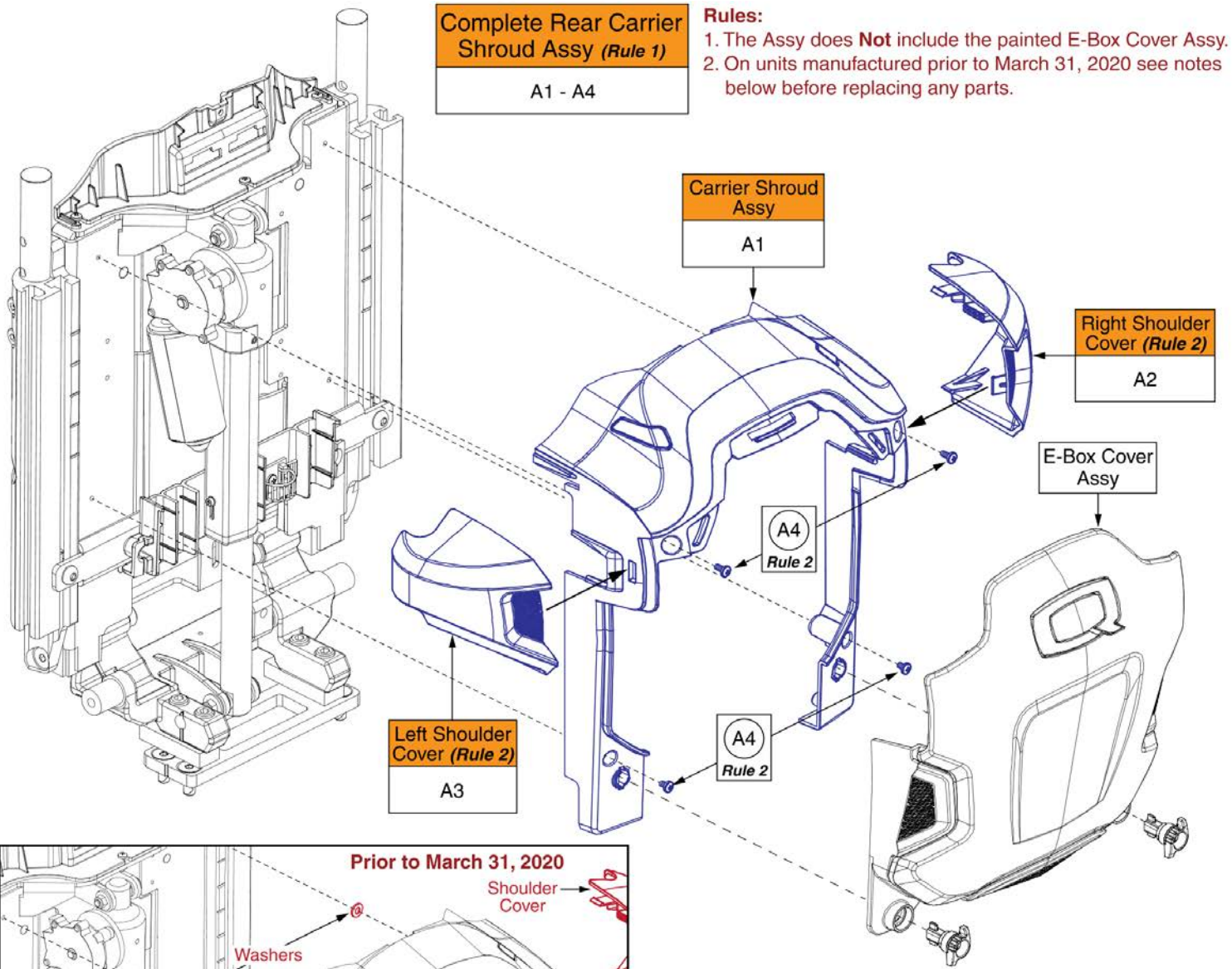


Painted E-Box Shrouds, TB3 Redesigned Back



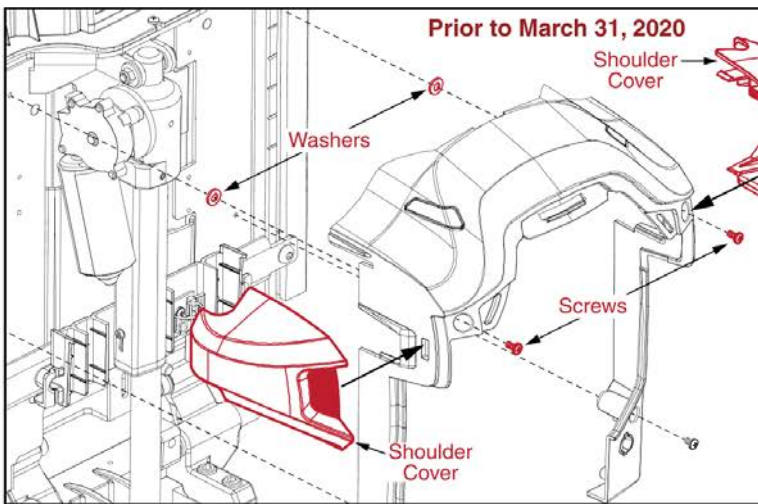
Item	Part No.	Name	Qty
A1a	DGN1714085-PBK1	ELECTRONICS BOX,ASSY,BACK IN BLACK/BLACK,W/MOUNTING HARDWARE	1
A1b	DGN1714085-PBK3	ELECTRONICS BOX,ASSY,NIGHT TRAIN,W/MOUNTING HARDWARE	1
A1c	DGN1714085-PSL3	ELECTRONICS BOX,ASSY,GREY STREET,W/MOUNTING HARDWARE	1
A1d	DGN1714085-PWT2	ELECTRONICS BOX,ASSY,WHITE SATIN,W/MOUNTING HARDWARE	1
A1e	DGN1714085-PRD1	ELECTRONICS BOX,ASSY,RED CORVETTE/CANDY APPLE RED,W/MOUNTING HARDWARE	1
A1f	DGN1714085-PRD4	ELECTRONICS BOX,ASSY,CHERRY BOMB,W/MOUNTING HARDWARE	1
A1g	DGN1714085-PPK3	ELECTRONICS BOX,ASSY,PRETTY IN PINK,W/MOUNTING HARDWARE	1
A1h	DGN1714085-PPK4	ELECTRONICS BOX,ASSY,RASPBERRY BERET,W/MOUNTING HARDWARE	1
A1i	DGN1714085-PPR7	ELECTRONICS BOX,ASSY,SUGAR PLUM,W/MOUNTING HARDWARE	1
A1j	DGN1714085-PPR5	ELECTRONICS BOX,ASSY,DEEP PURPLE,W/MOUNTING HARDWARE	1
A1k	DGN1714085-PBU10	ELECTRONICS BOX,ASSY,MIDNIGHT BLUE,W/MOUNTING HARDWARE	1
A1l	DGN1714085-PBU9	ELECTRONICS BOX,ASSY,ELECTRIC BLUE/TRUE BLUE,W/MOUNTING HARDWARE	1
A1m	DGN1714085-PBU11	ELECTRONICS BOX,ASSY,BLUE JEAN,W/MOUNTING HARDWARE	1
A1n	DGN1714085-PGN11	ELECTRONICS BOX,ASSY,GREEN MACHINE,W/MOUNTING HARDWARE	1
A1o	DGN1714085-PGN8	ELECTRONICS BOX,ASSY,MILITARY GREEN,W/MOUNTING HARDWARE	1
A1p	DGN1714085-PYL4	ELECTRONICS BOX,ASSY,LEMON CRUSH,W/MOUNTING HARDWARE	1
A1q	DGN1714085-POR7	ELECTRONICS BOX,ASSY,EVOLUTION ORANGE,W/MOUNTING HARDWARE	1
A1r	DGN1714085-WCB1	ELECTRONICS BOX,ASSY,CARBON FIBER,W/MOUNTING HARDWARE	1
A1s	DGN1714085-WCM7	ELECTRONICS BOX,ASSY,DIGITAL CAMO,W/MOUNTING HARDWARE	1
A1t	DGN1714085-WFL2	ELECTRONICS BOX,ASSY,FADED GLORY,W/MOUNTING HARDWARE	1
B1	MEC1902176	QUARTER TURN, ASSEMBLY	2

9. Electronics Cover Shrouds - TB3 Redesigned Back



Rules:

1. The Assy does **Not** include the painted E-Box Cover Assy.
2. On units manufactured prior to March 31, 2020 see notes below before replacing any parts.



Notes for units manufactured prior to March 31, 2020

- Prior to March 31, 2020 two washers and longer screws were utilized to mount the carrier shroud to the back of the unit. This was to prevent the shoulder covers from contacting the back assembly.
- A product enhancement occurred to the shoulder covers and the washers are no longer needed.
- Replace A2 & A3 in pairs on units manufactured prior to this date.
- If replacing hardware A4, A2 & A3 must be selected as well.
- The Carrier Shroud and E-Box cover are not affected.

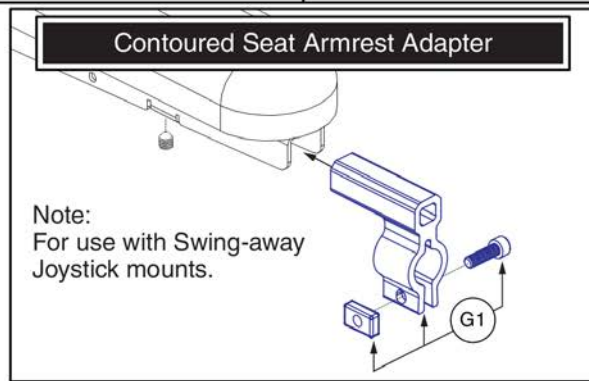
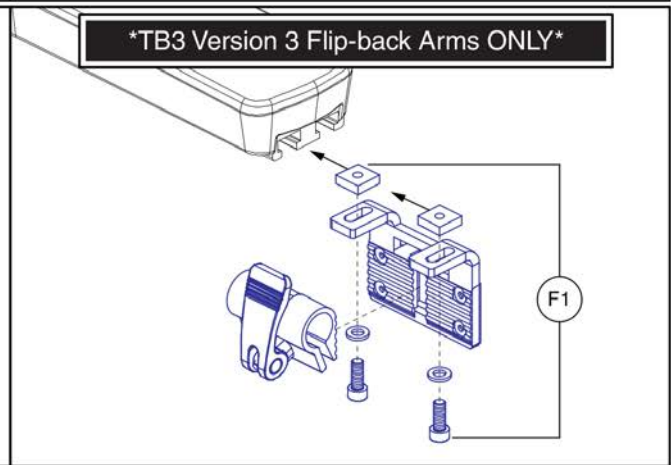
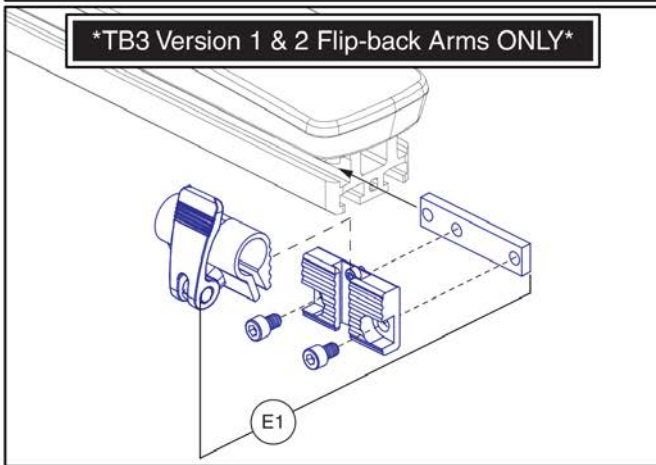
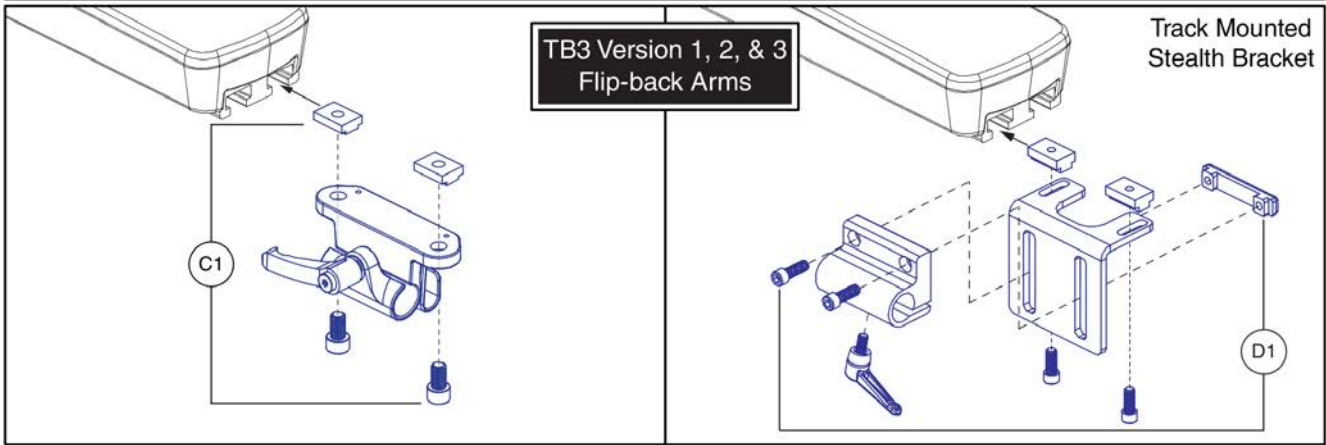
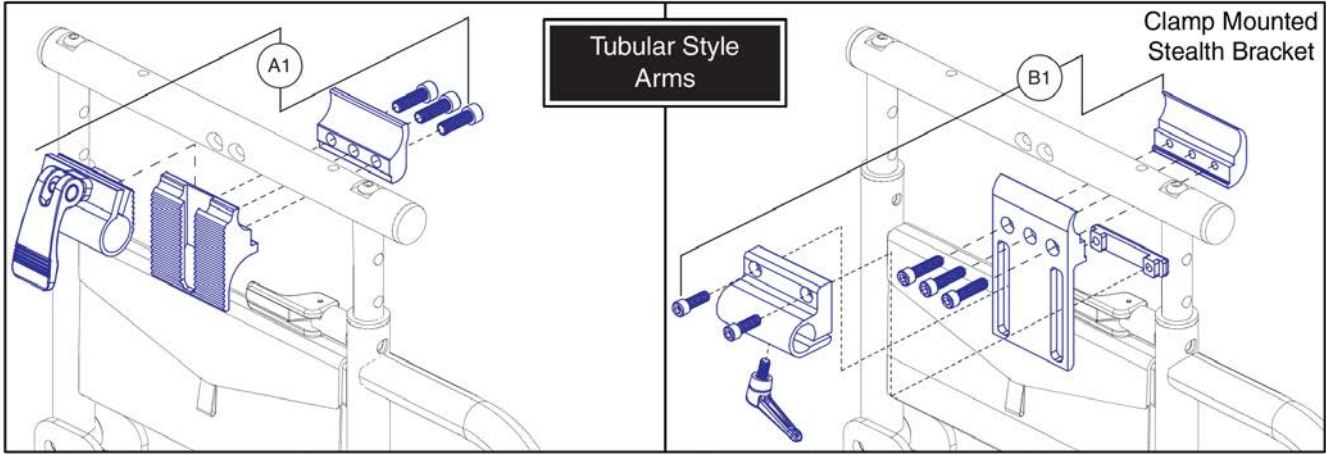
Contact Technical Service for more Information.

Carrier Shroud Assy, TB3 Redesigned Back



Item	Part No.	Name	Qty
A1 - A4	DGN1904463	REAR SHROUD ASSEMBLY, BACK REFLECTORS, REDESIGNED BACK	1
A1	DGN1900261	UPPER CARRIER WITH REFLECTOR PLUGS, ASSEMBLY, TB4 BACK	1
A2	DGN1714081	ARM COVER, RIGHT, TB4 BACK	1
A3	DGN1714080	ARM COVER, LEFT, TB4 BACK	1
A4	SCRPPH1304	SCREW, PPH, BLACK ZINC, M4-.7 X 6MM	4

10. Joystick Receivers & Buddy Button Mounts



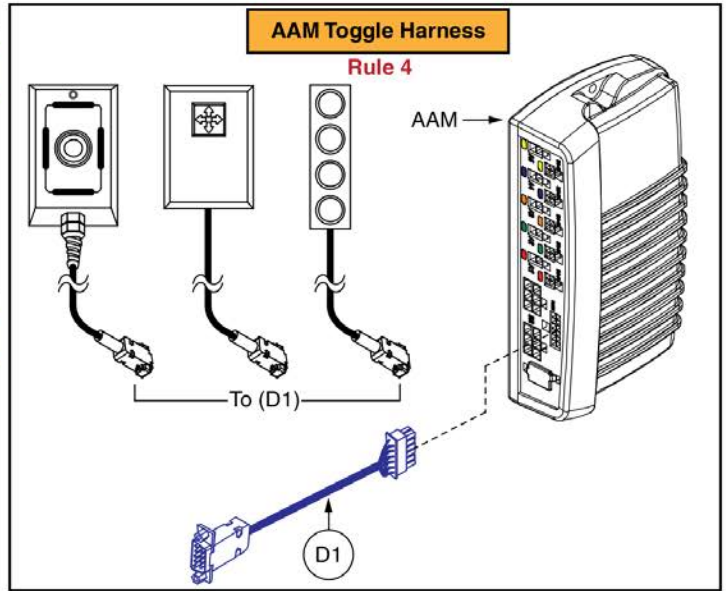
Item	Part No.	Name	Qty
A1	FRMASMB16062	JOYSTICK RECEIVER MOUNT,ASSY,UNIVERSAL,ADJUSTABLE BLOCK,D-1000-313	1
B1	ST-ARM250C-Q	JOYSTICK MOUNT,ASSY,HEIGHT ADJUSTABLE,W/CLAMP HARDWARE	1
C1	MEC1809294	JOYSTICK RECEIVER MOUNT,ASSY,W/MOUNTING HARDWARE,ADJUSTABLE HANDLE	1
D1	ST-ARM250T-Q	JOYSTICK MOUNT,ASSY,HEIGHT ADJUSTABLE,W/TRACK HARDWARE	1
E1	ACC123525	JOYSTICK RECEIVER MOUNT,ASSY,W/ACCESSORY BLOCK,TRUBALANCE 3	1
F1	ACC1806853	JOYSTICK RECEIVER MOUNT,ASSY,W/MOUNTING HARDWARE,TRU-BALANCE 3 ARMREST	1
G1	MEC146133	ARMREST ADAPTER ASSEMBLY	1

10. Joystick Receivers & Buddy Button Mounts

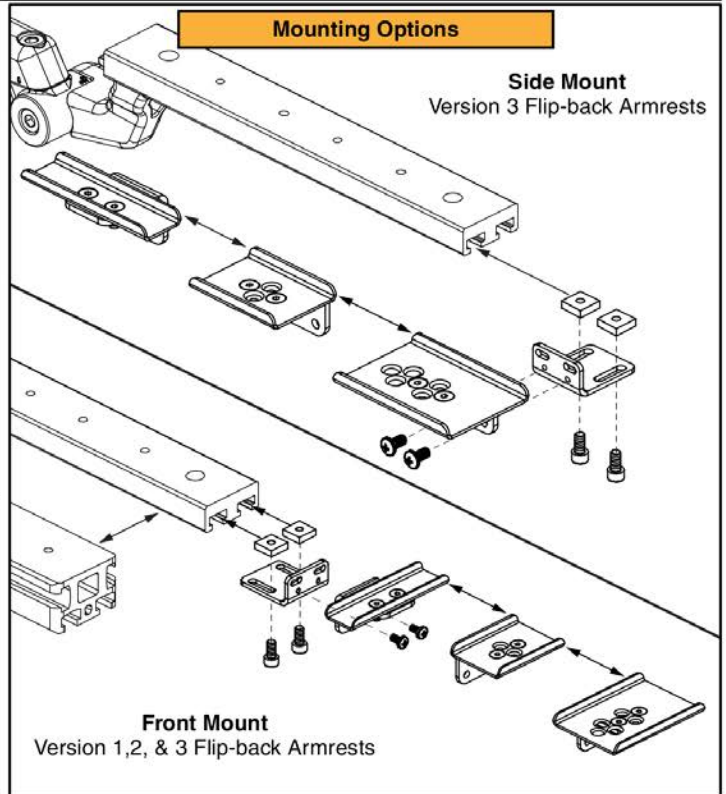
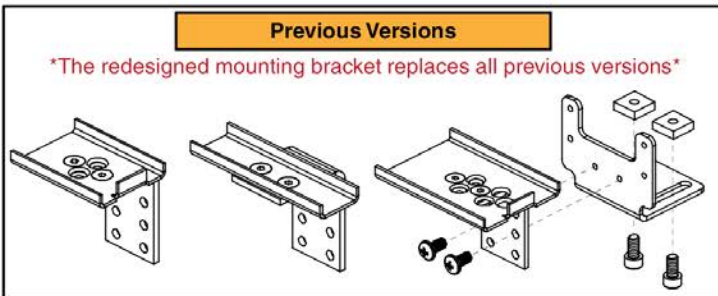
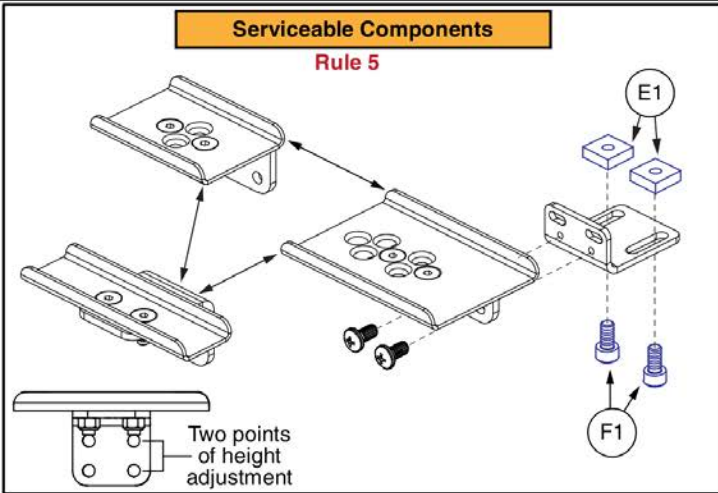
Controls and Mounting Brackets	
<p>A1 4-way Toggle</p>	<p>A2 4-way Toggle Mount</p> <p>Rules 1, 2</p>
<p>B1 4-way Button</p>	<p>B2 4-way Button Mount</p> <p>Rules 1, 2</p>
<p>C1 Quad Push Button Mount with Switch & Toggle Harness</p> <p>Rules 1, 2, 3</p>	

Rules:

1. Includes the armrest mounting hardware E1 & F1.
2. Used with ALL versions of the TB3 Flip-back armrests.
3. The complete assembly C1 includes the mounting bracket, switch, and harness. The mounting bracket is NOT available individually.
4. Used with Q-Logic 1, 2, & 3 AAM modules.
5. Only serviceable components contain callouts. For components without callouts the complete assembly must be selected.



Serviceable Components and Mounting Options



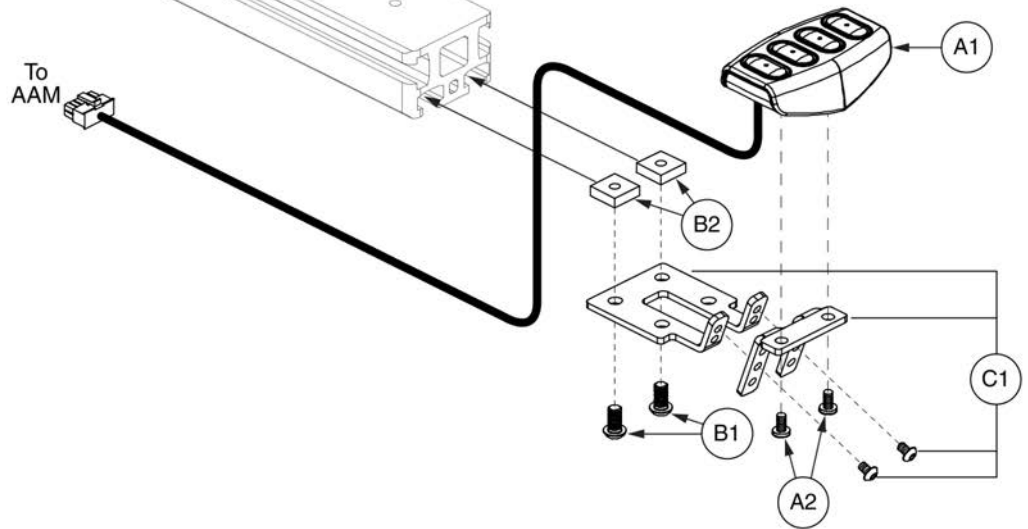
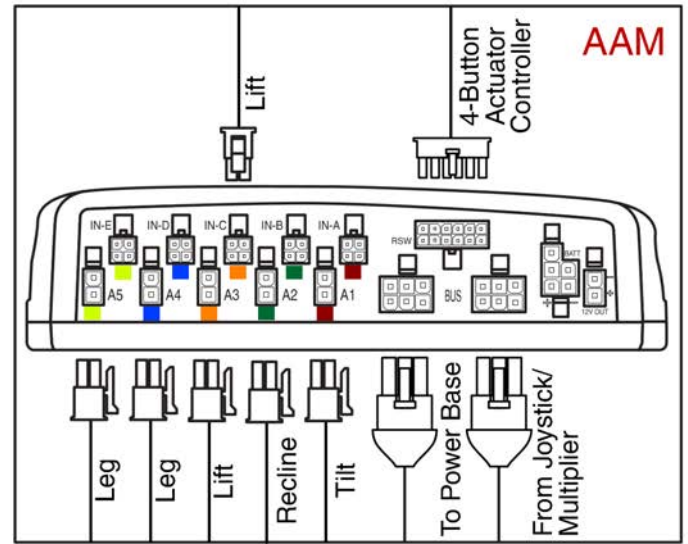
Seating Controls and Mounts, TB3 Arms



Item	Part No.	Name	Qty
A1	SWTMCRO1099	ELECTRONIC,SWITCH,4-WAY TOGGLE,(PME: M26)	1
A2	MEC137995	MOUNTING BRACKET,ASSY,4-WAY TOGGLE SWITCH,TB3 ARMREST	1
B1	SWTMCRO1100	ELECTRONIC,SWITCH,4-WAY BUTTON TOGGLE,(PME: S12)	1
B2	MEC137996	MOUNTING BRACKET,ASSY,4-WAY BUTTON TOGGLE SWITCH,TB3 ARMREST	1
C1	MEC1810668	MOUNTING BRACKET,ASSY,QUAD PUSH BUTTON,SIDE MOUNT,TB3/FLIP-BACK ARMREST	1
C2	SWTMCRO1098	ELECTRONIC,SWITCH,QUAD PUSH BUTTON,(PME: S24)	1
D1	DWR1265H038	ELECTRONIC,HARNES, CURTIS/AAM,4 WAY TOGGLE,H-1265-038	1
E1	MEC131114	SQUARE NUT,T-SLOT, M6X1.0	2
F1	SCRSHCS1095	SCREW,SHCS,BLACK ZINC,M6-1.0 X 12MM,GR 10.9,W/PATCH	2

11. Seating Controls - Toggles, Buttons, and Mounts

The 4-Button Actuator Control Module requires an AAM for operation .



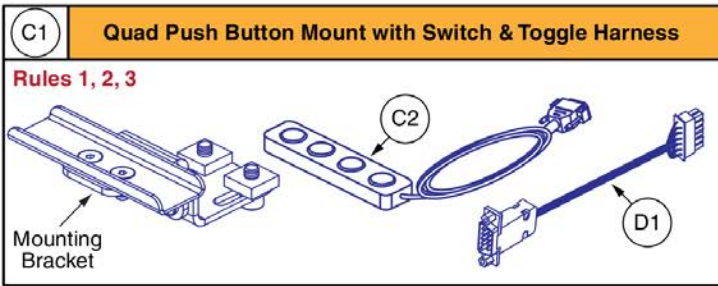
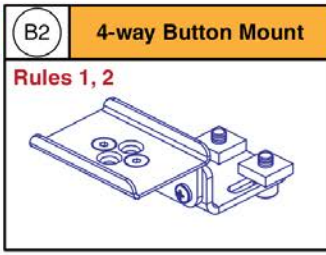
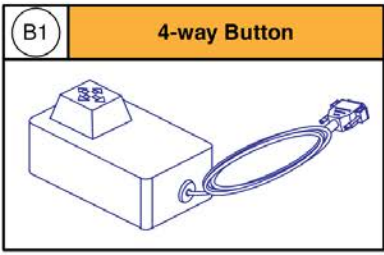
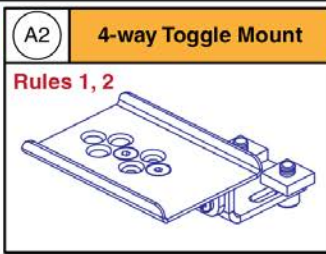
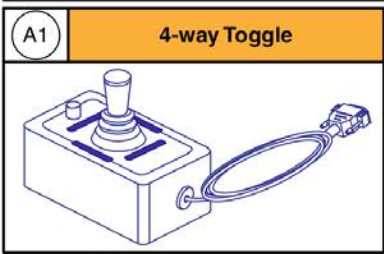
4-Button Actuator Control Module, TB3



Item	Part No.	Name	Qty
A1 - C1	MEC134122	CONTROLLER,ASSY,4-FUNCTION PUSH BUTTON,W/MOUNTING BRACKET	1
A1	CTL123218	CONTROLLER,4-FUNCTION PUSH BUTTON,(CURTIS: 17682700)	1
A2	SCRPPH1036	SCREW, PAN HEAD, TYPE H, M4X0.7 X 8, FT, ISO 7045, CL 4.8, BZ	2
B1 - C1	MEC136981	MOUNTING BRACKET,ASSY,4-FUNCTION PUSH BUTTON,W/EXTENSION & MOUNTING HARDWARE,TRU-BALANCE 3	1
B1	SCRASBH1322	SCREW, BHSCS, M6-1.0 X 12MM, ISO 7380-1 CLASS 10.9, PATCH IFI-524, BZ	2
B2	MEC131114	SQUARE NUT,T-SLOT, M6X1.0	2
C1	MEC136479	MOUNTING BRACKET,ASSY,4-FUNCTION PUSH BUTTON,W/EXTENSION,TRU-BALANCE 3	1

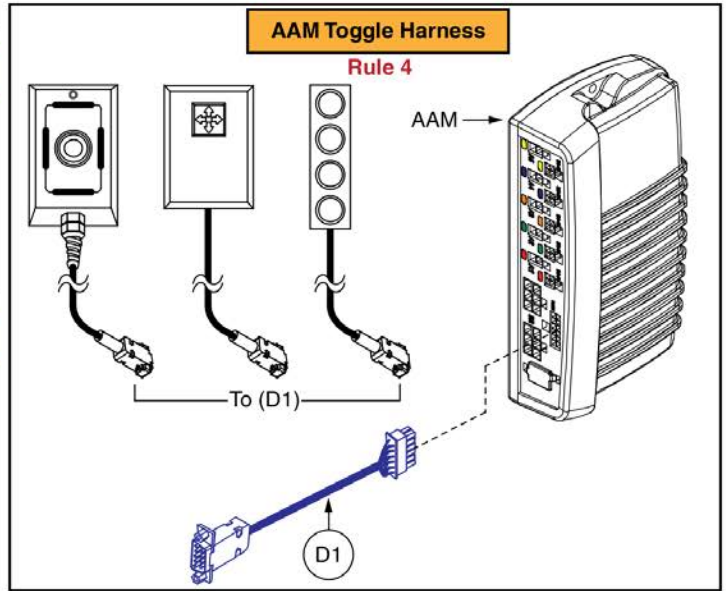
11. Seating Controls - Toggles, Buttons, and Mounts

Controls and Mounting Brackets

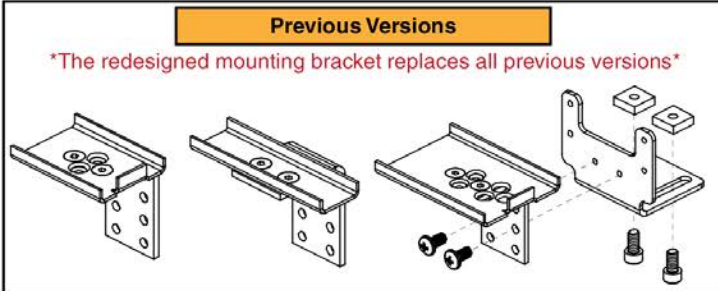
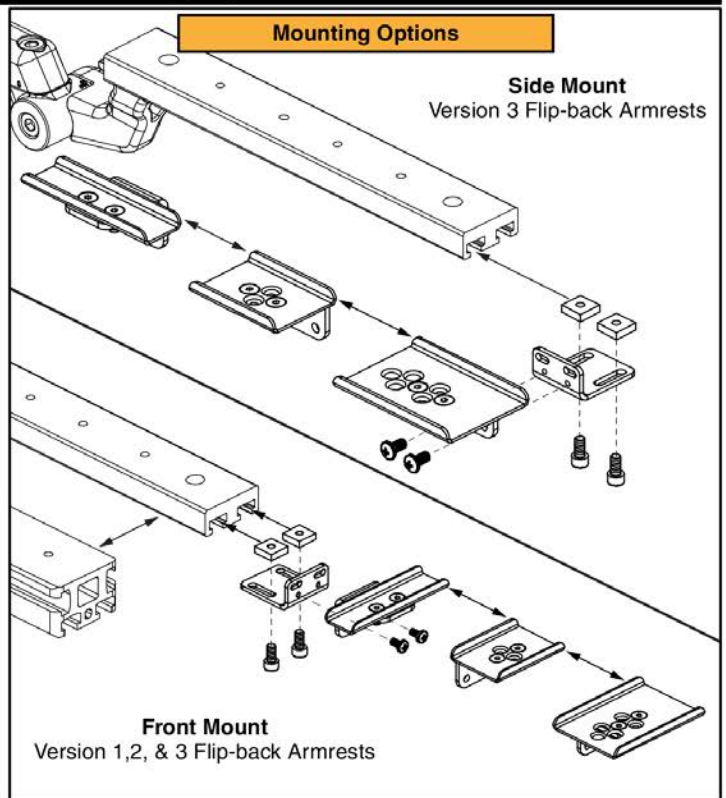
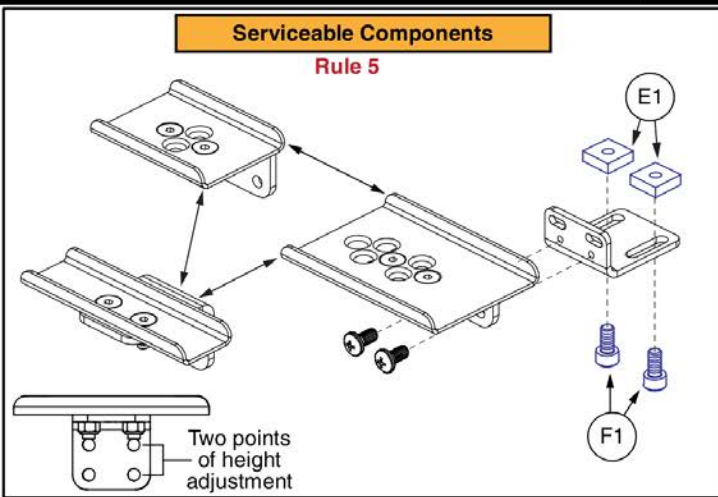


Rules:

1. Includes the armrest mounting hardware E1 & F1.
2. Used with ALL versions of the TB3 Flip-back armrests.
3. The complete assembly C1 includes the mounting bracket, switch, and harness. The mounting bracket is NOT available individually.
4. Used with Q-Logic 1, 2, & 3 AAM modules.
5. Only serviceable components contain callouts. For components without callouts the complete assembly must be selected.



Serviceable Components and Mounting Options



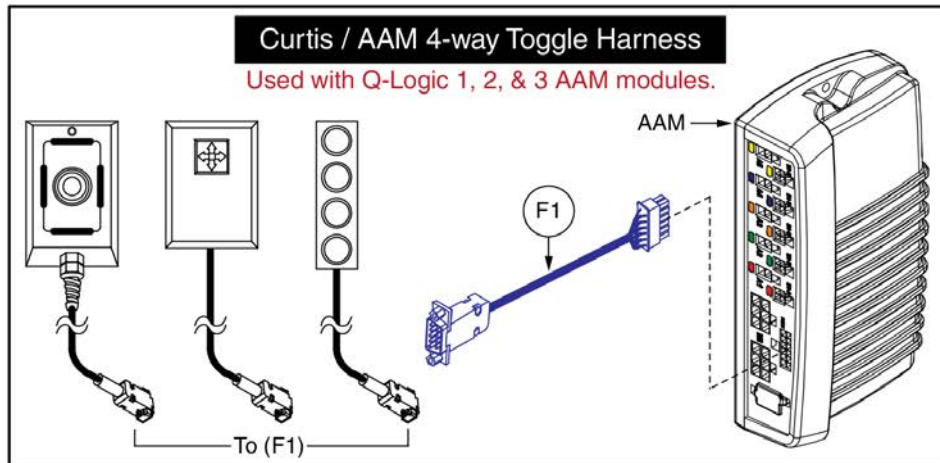
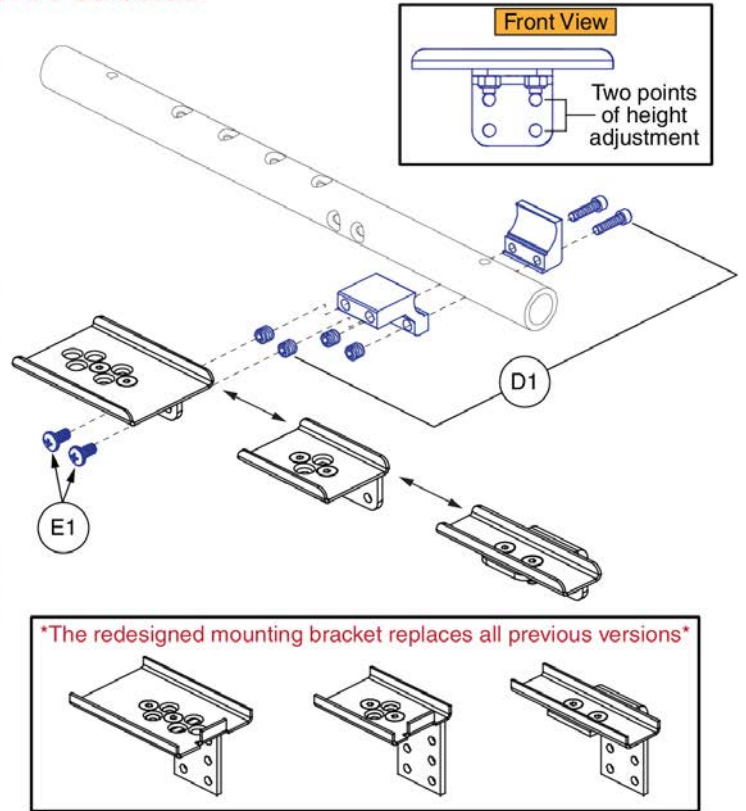
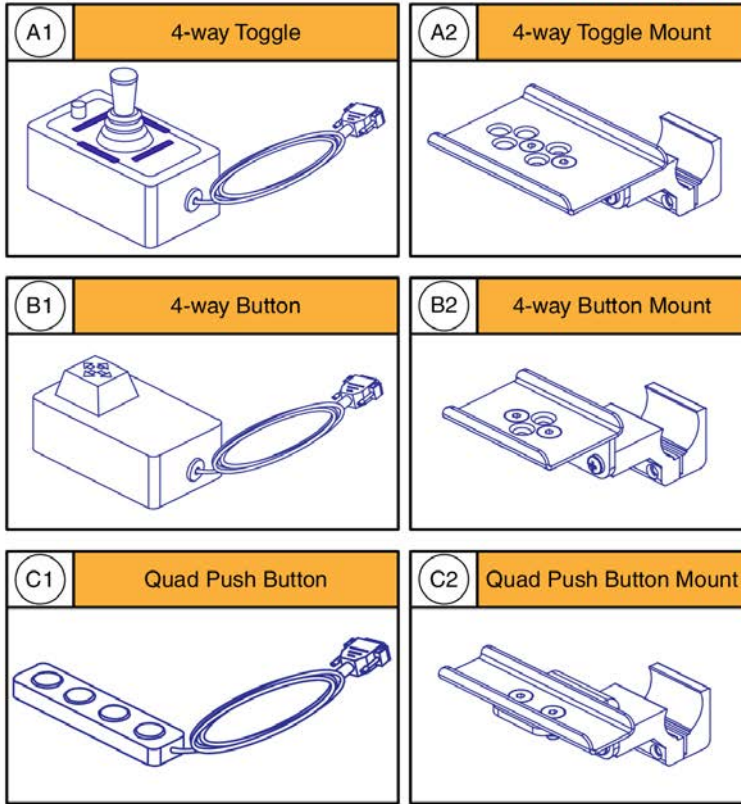
Seating Controls and Mounts, TB3 Arms



Item	Part No.	Name	Qty
A1	SWTMCRO1099	ELECTRONIC,SWITCH,4-WAY TOGGLE,(PME: M26)	1
A2	MEC137995	MOUNTING BRACKET,ASSY,4-WAY TOGGLE SWITCH,TB3 ARMREST	1
B1	SWTMCRO1100	ELECTRONIC,SWITCH,4-WAY BUTTON TOGGLE,(PME: S12)	1
B2	MEC137996	MOUNTING BRACKET,ASSY,4-WAY BUTTON TOGGLE SWITCH,TB3 ARMREST	1
C1	MEC1810668	MOUNTING BRACKET,ASSY,QUAD PUSH BUTTON,SIDE MOUNT,TB3/FLIP-BACK ARMREST	1
C2	SWTMCRO1098	ELECTRONIC,SWITCH,QUAD PUSH BUTTON,(PME: S24)	1
D1	DWR1265H038	ELECTRONIC,HARNES, CURTIS/AAM,4 WAY TOGGLE,H-1265-038	1
E1	MEC131114	SQUARE NUT,T-SLOT, M6X1.0	2
F1	SCRSHCS1095	SCREW,SHCS,BLACK ZINC,M6-1.0 X 12MM,GR 10.9,W/PATCH	2

11. Seating Controls - Toggles, Buttons, and Mounts

- Only serviceable components contain callouts. For components without callouts, the entire assembly must be selected.



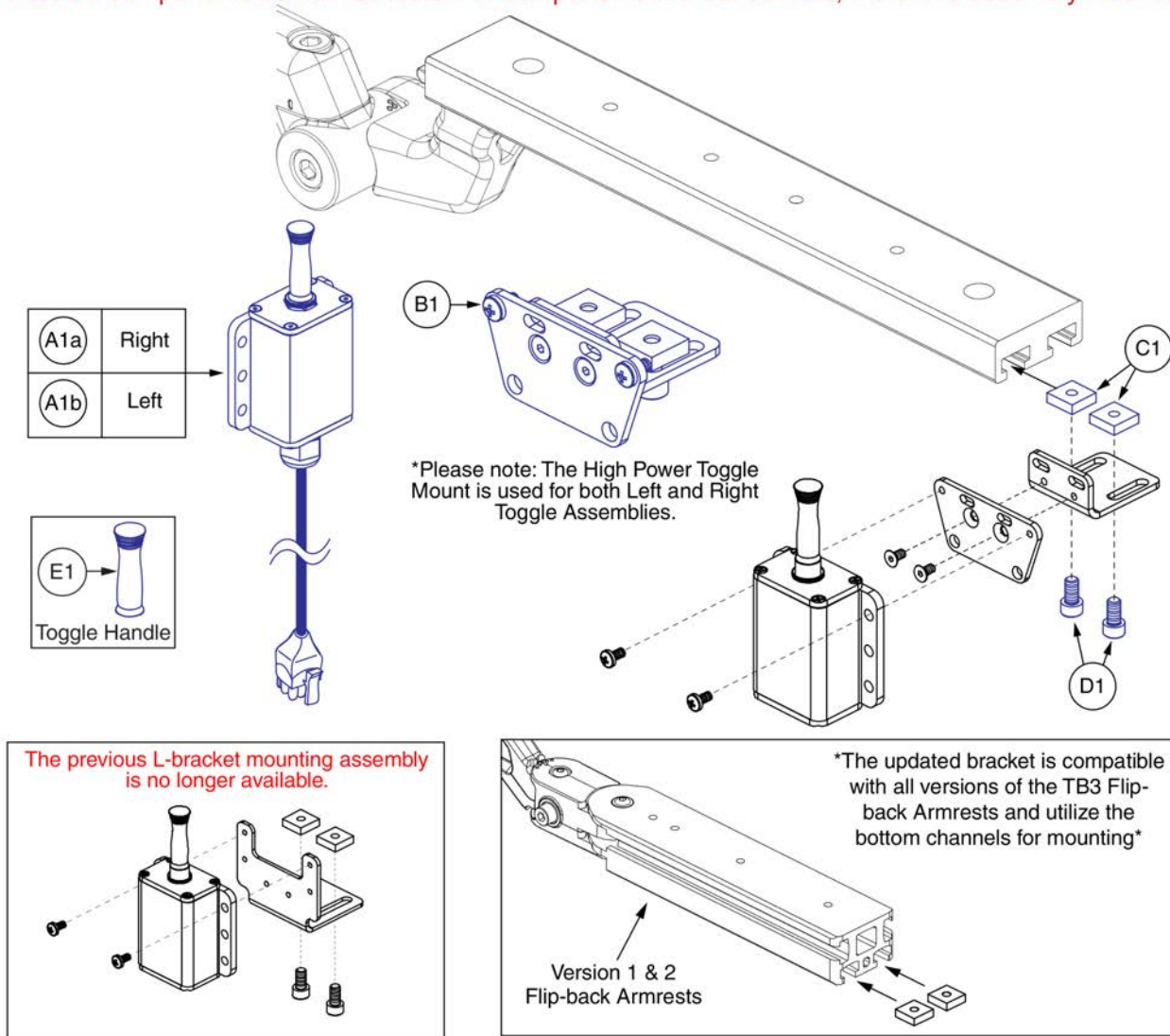
Seating Controls and Mounts, Tubular Arms



Item	Part No.	Name	Qty
A1	SWTMCRO1099	ELECTRONIC,SWITCH,4-WAY TOGGLE,(PME: M26)	1
A2	FRMASMB17640	MOUNTING BRACKET,ASSY,4-WAY TOGGLE SWITCH,W/TOGGLE BOX CLAMP	1
B1	SWTMCRO1100	ELECTRONIC,SWITCH,4-WAY BUTTON TOGGLE,(PME: S12)	1
B2	FRMASMB17641	MOUNTING BRACKET,ASSY,4-WAY BUTTON TOGGLE SWITCH,W/TOGGLE BOX CLAMP	1
C1	SWTMCRO1098	ELECTRONIC,SWITCH,QUAD PUSH BUTTON,(PME: S24)	1
C2	FRMASMB17642	MOUNTING BRACKET,ASSY,QUAD PUSH BUTTON SWITCH,W/TOGGLE BOX CLAMP	1
D1	FRMASMB8929	MOUNTING BRACKET,ASSY,TOGGLE BOX,W/THREADED INSERTS	1
E1	SCRPPH1029	SCREW, PPH,BLACK ZINC,10-32 X 0.375"	2
F1	DWR1265H038	ELECTRONIC,HARNESS,CURTIS/AAM,4 WAY TOGGLE,H-1265-038	1

11. Seating Controls - Toggles, Buttons, and Mounts

- Only serviceable components contain callouts. For components without callouts, the entire assembly must be selected.



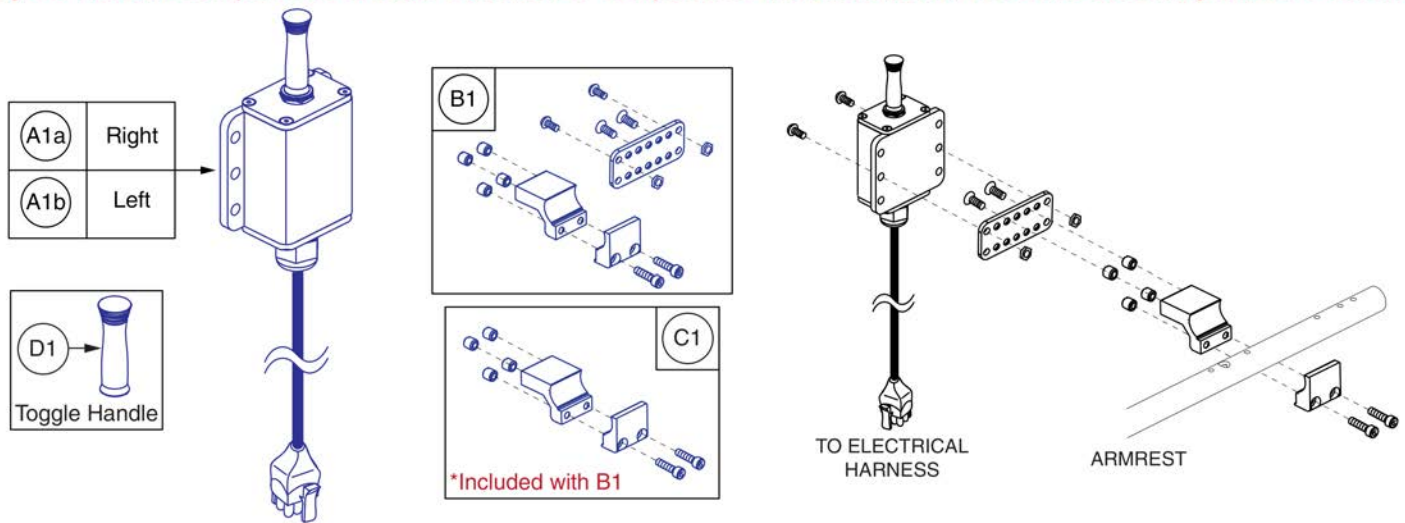
High Power Toggle and Mount, TB3 Arms



Item	Part No.	Name	Qty
A1a	ELEASMB4950	ELECTRONIC,ASSY,TOGGLE BOX,MULTIPOSITIONAL,QUANTUM,RIGHT,H-1000-178	1
A1b	ELEASMB4949	ELECTRONIC,ASSY,TOGGLE BOX,MULTIPOSITIONAL,QUANTUM,LEFT,H-1000-177	1
B1	HDW1901114	HARDWARE,ASSY,TOGGLE BOX/TOGGLE SWITCH,TB3/FLIP-BACK ARMREST	1
C1	MEC131114	SQUARE NUT,T-SLOT, M6X1.0	2
D1	SCRSHCS1095	SCREW,SHCS,BLACK ZINC,M6-1.0 X 12MM,GR 10.9,W/PATCH	2
E1	DWR1000C390	KNOB,BLACK,RUBBER,TOGGLE BOX,C-1000-390	1

11. Seating Controls - Toggles, Buttons, and Mounts

- Only serviceable components contain callouts. For components without callouts, the entire assembly must be selected.



High Power Toggle and Mount, Tubular Arms



Item	Part No.	Name	Qty
A1a - B1	ELEASMB5157	ELECTRONIC,ASSY,HIGH POWER TOGGLE BOX,W/MOUNTING BRACKET,RIGHT	1
A1b - B1	ELEASMB5156	ELECTRONIC,ASSY,HIGH POWER TOGGLE BOX,W/MOUNTING BRACKET,LEFT	1
A1a	ELEASMB4950	ELECTRONIC,ASSY,TOGGLE BOX,MULTIPOSITIONAL,QUANTUM,RIGHT,H-1000-178	1
A1b	ELEASMB4949	ELECTRONIC,ASSY,TOGGLE BOX,MULTIPOSITIONAL,QUANTUM,LEFT,H-1000-177	1
B1	FRMASMB11354	MOUNTING BRACKET,ASSY,HIGH POWER TOGGLE BOX,W/MOUNTING HARDWARE,MULTI-POSITIONAL	1
C1	FRMASMB8929	MOUNTING BRACKET,ASSY,TOGGLE BOX,W/THREADED INSERTS	1
D1	DWR1000C390	KNOB,BLACK,RUBBER,TOGGLE BOX,C-1000-390	1

Current Quantum Colors as of 9-1-2019																		
Color Name	Color Name Variant	Part Suffix	Color Code	Edge 3 Stretto	Edge 3	Edge 2.0	Edge 2.0X	Edge	Edge X	4Front	Edge Z	Edge HD	R44 Rival	J4 / Q4	J6	1450	Kozmo	
Back in Black	Black, Onyx Black Metallic Black	PBK1	PPW-BLK-01	X	X	X	X	X	X	X	X	X	X	X	X			
Night Train		PBK3	PPW-BLK-03	X	X	X	X			X	X	X	X					
Grey Street		PSL3	PPW-SIL-03	X	X	X	X			X	X	X	X					
Silver Bullet		PSL7	PPW-SIL-07			X	X			X	X	X	X					
White Satin	Pearl White	PWT2	PPW-WHT-02	X	X	X	X			X	X	X	X			X		
Red Corvette	Candy Apple Red, Ruby Red	PRD1	PPW-RED-01	X	X	X	X	X	X	X	X	X	X	X	X	X	X	
Cherry Bomb		PRD4	PPW-RED-04	X	X					X								
Pretty in Pink	Rose Quartz	PPK3	PPW-PNK-03	X	X	X	X			X	X	X	X	X	X	X	X	
Raspberry Beret		PPK4	PPW-PNK-04	X	X					X								
Sugar Plum		PPR7	PPW-PRP-07	X	X					X								
Deep Purple		PPR5	PPW-PRP-05	X	X	X	X			X	X	X	X					
Midnight Blue		PBU10	PPW-BLU-10	X	X	X	X			X	X	X	X					
Electric Blue	True Blue, Sapphire Blue	PBU9	PPW-BLU-09	X	X	X	X	X	X	X	X	X	X	X	X	X	X	
Blue Jean		PBU11	PPW-BLU-11	X	X					X								
Green Machine		PGN11	PPW-GRN-11	X	X	X	X			X	X	X	X					
Military Green		PGN8	PPW-GRN-08	X	X					X	X	X	X					
Lime Light		PGN7	PPW-GRN-07			X	X			X	X	X	X					
Yellow Blaze	Orion Yellow, Citrine Yellow	PYL3	PPW-YEL-03			X	X	X	X	X	X	X	X		X	X		
Lemon Crush		PYL4	PPW-YEL-04	X	X	X	X			X								
Orange Crush	Amber Orange	POR6	PPW-ORN-06			X	X			X	X	X	X			X		
Evolution Orange		POR7	PPW-ORN-07	X	X	X	X			X	X	X	X	X	X	X		
Carbon Fiber		WCB1	PWT-CBN-01		X	X				X								
Digital Camo		WCM7	PWT-CMO-07		X	X				X								
Faded Glory		WFL2	PWT-FLG-02		X	X				X								

Prior Generation Quantum Colors as of 9-1-2019																		
Color Name	Color Name Variant	Part Suffix	Color Code	Edge 3 Stretto	Edge 3	Edge 2.0	Edge 2.0X	Edge	Edge X	4Front	Edge Z	Edge HD	R44 Rival	J4 / Q4	J6	1450	Kozmo	
Pewter Grey		PGY1	PPW-GRY-01					X				X						
Silver		PSL1	PPW-SIL-01					X	X		X	X			X			
Cardinal Red	Rex Red	PRD2	PPW-RED-02					X				X						
Pearl Pink	Prehistoric Pink	PPK1	PPW-PNK-01					X	X		X	X		X	X			
Violet	Primitive Purple	PPR2	PPW-PRP-02					X				X						
Sapphire Blue		PPR4	PPW-PRP-04					X	X		X	X			X			
Mariner Blue	Bronto Blue	PBU2	PPW-BLU-02					X				X						
Graphite Blue		PBU3	PPW-BLU-03					X				X						
Viper Blue		PBU1	PPW-BLU-01					X	X		X	X		X	X			
Spring Green	Gator Green	PGN3	PPW-GRN-03					X				X						
Emerald Green		PGN5	PPW-GRN-05					X	X		X	X			X			
Kelly Green		PGN6	PPW-GRN-06					X				X		X				
Solar Yellow		PYL1	PPW-YEL-01					X				X						
Champagne	Saber Yellow	PCH1	PPW-CHA-01					X	X		X	X			X			
Tangerine		POR2	PPW-ORN-02					X				X						
Sunburst Orange		POR1	PPW-ORN-01					X	X		X	X		X	X			

Appendix A:Pages Index

10" REAC Lift & Tilt Frames, Actuators, & Inhibit Switches	76	20-24"W x 16-20"D REAC L&T Seat Base, R44 (Rival)	61
12" REAC Lift & Tilt Frames, Actuators, & Inhibit Switches	79	20-24"W x 20"D REAC L&T Seat Base, 4Front	67
12-14"W x 12-16"D REAC L&T Seat Base, 4Front	5	20-24"W x 20-24"D REAC L&T Seat Base, 4Front	69
12-14"W x 12-16"D REAC L&T Seat Base, Q6 Edge 3 Stretto	7	20-24"W x 20-24"D REAC L&T Seat Base, Q6 Edge 3 Stretto	73
12-14"W x 12-16"D REAC L&T Seat Base, Q6 Edge Series	1	20-24"W x 20-24"D REAC L&T Seat Base, Q6 Edge Series	59
12-14"W x 12-16"D REAC L&T Seat Base, R44 (Rival)	3	20-24"W x 20-24"D REAC L&T Seat Base, R44 (Rival)	63
14"-16"W Back Pans, TB3 Redesigned Back	217	4-Button Actuator Control Module, TB3	515
14"-16"W Sport Back 4 Complete Assy's, TB3 Redesigned Back	185	4Front Painted Side Covers, REAC Lift / I-Level	265
14"-16"W TRU-Comfort Back 4 Complete Assy's, TB3 Redesigned Back	193	Angle Adjustable & Flip-forward Back Cane Brackets, TB3	243
14-16"W x 14-16"D REAC L&T Seat Base, 4Front	19	Angle Adjustable Seat Towers, Captain's Seating w/ Lift, TB3 REAC	105
14-16"W x 14-16"D REAC L&T Seat Base, Q6 Edge 3 Stretto	27	Angle Adjustable Seat Towers, TB3 REAC Lift	103
14-16"W x 14-16"D REAC L&T Seat Base, Q6 Edge Series	9	Back Cane Accessory Bars, Synergy Style Canes	249
14-16"W x 14-16"D REAC L&T Seat Base, R44 (Rival)	15	Back Cane Electronics Mount & Static Seat Cosmetic Cover, TB3	251
14-16"W x 14-16"D REAC L&T Seat Base, WC-19 Transit, 4Front	25	Back Cane Rigidizing Bars, TB3	241
14-16"W x 14-16"D REAC L&T Seat Base, WC-19 Transit, Q6 Edge 3 Stretto	29	Back Canes, TB3	239
14-16"W x 14-16"D REAC L&T Seat Base, WC-19 Transit, Q6 Edge Series	13	Back Pan, 10"-14"W, No Cushion, TB3	173
14-16"W x 16-18"D REAC L&T Seat Base, 4Front	21	Back Pan, 16"-20"W, No Cushion, TB3	175
14-16"W x 16-20"D REAC L&T Seat Base, Q6 Edge 3 Stretto	31	Back Pan, 20"-24"W, No Cushion, TB3	177
14-16"W x 16-20"D REAC L&T Seat Base, Q6 Edge Series	11	Back Plate Mounting Hardware, TC2 & Sport Backs w/ Back Canes	253
14-16"W x 16-20"D REAC L&T Seat Base, R44 (Rival)	17	Back/E-Box Bracket for Back Cane Units w/o a Back, TB3	247
14-16"W x 20"D REAC L&T Seat Base, 4Front	23	Carrier Shroud Assy, TB3 Redesigned Back	129, 275, 509
16"-20"W Back Pans, TB3 Redesigned Back	219	ENDO Back Cane Brackets, TB3	245
16"-20"W Sport Back 4 Complete Assy's, TB3 Redesigned Back	187	Electronics Boxes - New Quantum Colors, 6/1/15, TB3	271, 505
16"-20"W TRU-Comfort Back 4 Complete Assy's, TB3 Redesigned Back	195	Flip Forward Back Assy, REAC Lift, TB3 Redesigned Back	121
16-20"W x 14-16"D REAC Lift Seat Base for Captain's Seating	75	HD & Non I-Level Decal Package, REAC Lift/I-Level	289
16-20"W x 16-18"D REAC L&T Seat Base, 4Front	43	High Power Toggle and Mount, TB3 Arms	521
16-20"W x 16-20"D REAC L&T Seat Base, Q6 Edge 3 Stretto	51	High Power Toggle and Mount, Tubular Arms	523
16-20"W x 16-20"D REAC L&T Seat Base, Q6 Edge Series	33	I-Access & 4-Function Seating Modules & Mounts	303
16-20"W x 16-20"D REAC L&T Seat Base, R44 (Rival)	39	I-Level Base Cable & Push Block Assy - Edge 3 Stretto	101
16-20"W x 16-20"D REAC L&T Seat Base, WC-19 Transit, 4Front	49	I-Level Power Base Cable & Mounting Block Assy	89, 97
16-20"W x 16-20"D REAC L&T Seat Base, WC-19 Transit, Q6 Edge 3 Stretto	53	I-Level Power Base Components, Curtis, Edge 2.0 / Edge 3	83
16-20"W x 16-20"D REAC L&T Seat Base, WC-19 Transit, Q6 Edge Series	37	I-Level Power Base Components, Curtis, Edge HD & Edge Z	91
16-20"W x 20"D REAC L&T Seat Base, 4Front	45	I-Level Power Base Components, Edge 2.0 / Edge 3 w/Base Mounted Lights	87
16-20"W x 20-24"D REAC L&T Seat Base, 4Front	47	I-Level Power Base Components, Edge 3 Stretto	99
16-20"W x 20-24"D REAC L&T Seat Base, Q6 Edge 3 Stretto	55	I-Level Power Base Components, Edge HD & Edge Z w/Base Mounted lights	95
16-20"W x 20-24"D REAC L&T Seat Base, Q6 Edge Series	35	I-Level Power Base Components, R-Net, Edge 2.0 / Edge 3	85
16-20"W x 20-24"D REAC L&T Seat Base, R44 (Rival)	41	I-Level Power Base Components, R-net, Edge HD & Z	93
18"-22"W Back Pans, TB3 Redesigned Back	221	Joystick Receiver Mounts, Quantum	261, 511
18"-22"W Sport Back 4 Complete Assy's, TB3 Redesigned Back	189	Lap Belts, TB3	279
18"-22"W TRU-Comfort Back 4 Complete Assy's, TB3 Redesigned Back	197	Lateral Side Cover Inserts, TB3 Redesigned Back	231
20-24"W x 16-18"D REAC L&T Seat Base, 4Front	65	Lateral Side Covers, TB3 Redesigned Back	233
20-24"W x 16-20"D REAC L&T Seat Base, Q6 Edge 3 Stretto	71	Lift & Recline AAM Assy's, Q-Logic 2 - REAC Lift / I-Level	341
20-24"W x 16-20"D REAC L&T Seat Base, Q6 Edge Series	57	Lift & Recline AAM Assy's, Q-Logic 2 - REAC Lift / NON I-Level	375
		Lift & Recline Hardware, Q-Logic 2 - REAC Lift / I-Level	345
		Lift & Recline Hardware, Q-Logic 2 - REAC Lift / NON I-Level	379
		Lift & Recline Harnessing, Q-Logic 2 - REAC Lift / I-Level	343
		Lift & Recline Harnessing, Q-Logic 2 - REAC Lift / NON I-Level	377
		Lift & Recline Master Assy's, Q-Logic 2 - REAC Lift / I-Level	339
		Lift & Recline Master Assy's, Q-Logic 2 - REAC Lift / NON I-Level	373
		Lift & Tilt AAM Assy's, Q-Logic 2 - REAC Lift / I-Level	349
		Lift & Tilt AAM Assy's, Q-Logic 2 - REAC Lift / NON I-Level	383

Lift & Tilt Hardware, Q-Logic 2 - REAC Lift / I-Level	354	Power Recline Back, REAC Lift	113
Lift & Tilt Hardware, Q-Logic 2 - REAC Lift / NON I-Level	387	Power Recline Back, WC-19 Transit, REAC Lift	115
Lift & Tilt Harnessing, Q-Logic 2 - REAC Lift / I-Level	351	Privacy Flaps, TB3	183
Lift & Tilt Harnessing, Q-Logic 2 - REAC Lift / NON I-Level	385	Q-Logic 2 & 3 Enhanced Display Shrouds	327
Lift & Tilt Master Assy's, Q-Logic 2 - REAC Lift / I-Level	347	Q-Logic 2 & 3 Joystick Shrouds	325
Lift & Tilt Master Assy's, Q-Logic 2 - REAC Lift / NON I-Level	381	Q-Logic 3 Bus Cables, Multiplier Harnesses, & Mounts	299
Lift Only AAM Assy's, Q-Logic 2 - REAC Lift / I-Level	333	Q-Logic 3 Enhanced Display & Gooseneck Mount	301
Lift Only AAM Assy's, Q-Logic 2 - REAC Lift / NON I-Level	367	Q-Logic 3 Joystick Assy's	292
Lift Only Hardware, Q-Logic 2 - REAC Lift / I-Level	337	Q-Logic 3 Lighting Modules & Hardware	297, 443
Lift Only Hardware, Q-Logic 2 - REAC Lift / NON I-Level	371	Q-Logic 3 SCIM, Sip & Puff, & ECM Modules & Mounts	307
Lift Only Harnessing, Q-Logic 2 - REAC Lift / I-Level	335	Q-Logic 3 SD Cards for 4Front	313
Lift Only Harnessing, Q-Logic 2 - REAC Lift / NON I-Level	369	Q-Logic 3 SD Cards for Edge 2.0	319
Lift Only Master Assy's, Q-Logic 2 - REAC Lift / I-Level	331	Q-Logic 3 SD Cards for Edge 3	315
Lift Only Master Assy's, Q-Logic 2 - REAC Lift / NON I-Level	365	Q-Logic 3 SD Cards for Edge HD	317
Lift, Tilt, & Recline AAM Assy's, Q-Logic 2 - REAC Lift / I-Level	359	Q-Logic 3 SD Cards for Q1450	323
Lift, Tilt, & Recline AAM Assy's, Q-Logic 2 - REAC Lift / NON I-Level	391	Q-Logic 3 SD Cards for Q6 Edge 3 Stretto, 6.25MPH Program	321
Lift, Tilt, & Recline Hardware, Q-Logic 2 - REAC Lift / I-Level	363	Q-Logic 3 Seating Modules & Mounts	295
Lift, Tilt, & Recline Hardware, Q-Logic 2 - REAC Lift / NON I-Level	395	Q-Logic 3 Stand Alone Joystick, Attendant Control, & Mounts	305
Lift, Tilt, & Recline Harnessing, Q-Logic 2 - REAC Lift / I-Level	361	Q-Logic 3 USB Charger Module Assy	309
Lift, Tilt, & Recline Harnessing, Q-Logic 2 - REAC Lift / NON I-Level	393	Q6 Edge 3 Stretto Config. Light Assy, TB3 / Flex Seating	447, 499
Lift, Tilt, & Recline Master Assy's, Q-Logic 2 - REAC Lift / I-Level	357	Q6 Edge Series/R44 Rival Painted Side Covers, REAC Lift/I-Level	267
Lift, Tilt, & Recline Master Assy's, Q-Logic 2 - REAC Lift / NON I-Level	389	Quantum Color Reference Chart	291, 525
Lighting Module w/ Harnesses & Hardware, REAC / Q-Logic 2	417	R-Net Lift & Recline w/ Power Legs, REAC Lift / I-Level, Q6 Edge 3 Stretto	483
Lights thru LAM2, Lift & Recline, NE+, REAC Lift/I-Level, Q6 Edge 3 Stretto	441	R-Net Lift & Recline w/AFP, REAC Lift / I-Level	459
Lights thru LAM2, Lift & Recline, Q-Logic 2 / NE+ - REAC Lift / NON I-Level	433	R-Net Lift & Recline w/AFP, REAC Lift / I-Level, Q6 Edge 3 Stretto	485
Lights thru LAM2, Lift & Recline, Q-Logic 2 / NE+ - REAC Lift / I-Level	425	R-Net Lift & Recline w/Power Legs, REAC Lift / I-Level	455
Lights thru LAM2, Lift & Tilt, NE+ - REAC Lift/I-Level, Q6 Edge 3 Stretto	439	R-Net Lift & Recline, REAC Lift / I-Level	457
Lights thru LAM2, Lift & Tilt, Q-Logic 2 / NE+ - REAC Lift / NON I-Level	431	R-Net Lift & Recline, REAC Lift / I-Level, Q6 Edge 3 Stretto	481
Lights thru LAM2, Lift & Tilt, Q-Logic 2 / NE+ - REAC Lift/I-Level	423	R-Net Lift & Tilt w/AFP, REAC Lift / I-Level	465
Lights thru LAM2, Lift Only, NE+ - REAC Lift/I-Level, Q6 Edge 3 Stretto	435	R-Net Lift & Tilt w/AFP, REAC Lift / I-Level, Q6 Edge 3 Stretto	491
Lights thru LAM2, Lift Only, Q-Logic 2 / NE+ - REAC Lift / NON I-Level	427	R-Net Lift & Tilt w/Power Legs, REAC Lift / I-Level	463
Lights thru LAM2, Lift Only, Q-Logic 2 / NE+ - REAC Lift/I-Level	419	R-Net Lift & Tilt w/Power Legs, REAC Lift / I-Level, Q6 Edge 3 Stretto	489
Lights thru LAM2, Lift w/ AFP, NE+ - REAC Lift/I-Level, Q6 Edge 3 Stretto	437	R-Net Lift & Tilt, REAC Lift / I-Level	461
Lights thru LAM2, Lift w/AFP, Q-Logic 2 / NE+ - REAC Lift / NON I-Level	429	R-Net Lift & Tilt, REAC Lift / I-Level, Q6 Edge 3 Stretto	487
Lights thru LAM2, Lift w/AFP, Q-Logic 2 / NE+ - REAC Lift/I-Level	421	R-Net Lift Only w/ AFP, REAC Lift / I-Level, Q6 Edge 3 Stretto	479
NE+ Lift & Recline, REAC Lift / I-Level	403	R-Net Lift Only w/AFP, REAC Lift / I-Level	453
NE+ Lift & Recline, REAC Lift / NON I-Level	413	R-Net Lift Only w/Power Legs, REAC Lift / I-Level	451
NE+ Lift & Tilt, REAC Lift / I-Level	401	R-Net Lift Only w/Power Legs, REAC Lift / I-Level, Q6 Edge 3 Stretto	477
NE+ Lift & Tilt, REAC Lift / NON I-Level	411	R-Net Lift Only, REAC Lift / I-Level	449
NE+ Lift w/AFP, REAC Lift / I-Level	399	R-Net Lift Only, REAC Lift / I-Level, Q6 Edge 3 Stretto	475
NE+ Lift w/AFP, REAC Lift / NON I-Level	409	R-Net Lift, Tilt, & Recline w/AFP, REAC Lift / I-Level	471
NE+ Lift, REAC Lift / I-Level	397	R-Net Lift, Tilt, & Recline w/AFP, REAC Lift / I-Level, Q6 Edge 3 Stretto	497
NE+ Lift, REAC Lift / NON I-Level	407	R-Net Lift, Tilt, & Recline w/Power Legs, REAC Lift / I-Level, Q6 Edge 3 Stretto	495
Occupied Transit Lap Belt Mount, TB3	281	R-Net Lift, Tilt, & Recline w/Power Legs, REAC Lift / I-Level	469
Painted E-Box Shrouds, TB3 Redesigned Back	127, 273, 507	R-Net Lift, Tilt, & Recline, REAC Lift / I-Level	467
		R-Net Lift, Tilt, & Recline, REAC Lift / I-Level, Q6 Edge 3 Stretto	493
		REAC Lift Actuator Replacement Kits	81
		REAC Seat Interface, Q6 Edge 3 Stretto	107
		Rear Wire Cover Shrouds, REAC Lift	277, 501
		Recline Back Assy, REAC Lift, TB3 Redesigned Back	123

STEALTH 125° Thoracic Laterals & Lateral Mounting Tracks, TB3	283
STEALTH Comfort Plus Unilink Headrest Mount & Pads, TB3 Redesigned Back	259
STEALTH Headrest Brackets and Pads	257
STEALTH Unilink Thoracic Laterals, TB3 Redesigned Back	285
Seating Controls and Mounts, TB3 Arms	263, 513, 517
Seating Controls and Mounts, Tubular Arms	519
Sport Back 4 Cushion Covers, 14"-18"W	169, 205
Sport Back 4 Cushion Covers, 19"-22"W	171, 207
Sport Back 4 Cushions, 14"-18"W	163, 201
Sport Back 4 Cushions, 19"-22"W	165, 203
Sport Back 4 Cushions, 24"-28"W	167
Sport Back Cushions - 12"-20"W, TB3	147
Sport Back Cushions - 21"-32"W, TB3	149
Standard Config. LED Light Assy, REAC Lift	311, 405, 415, 445, 473
Standard Decal Package, REAC Lift/I-Level	287
Static Back Assy, REAC Lift, TB3 Redesigned Back	119
Static Back, REAC Lift	109
Static, Flip Forward Back, REAC Lift	111
Stealth ADI Q-Back 2 Contoured Seat Backs	237
Stealth ADI Seat Backs, Cane Mounted	255
Stealth Contoured Q-Backs, TB3	181
Stealth Simple Solutions Aftermarket Back Adapter Plate	117, 125
Stretto Plastic Side Covers, REAC Lift / I-Level	269
TB3 Back Cushion Securement Brackets	191, 199, 223, 235
TB3 Redesigned Back, Back Height Extension, 14"-16"W	225
TB3 Redesigned Back, Back Height Extension, 16"-20"W	227
TB3 Redesigned Back, Back Height Extension, 18"-22"W	229
TB3 Sport Back/Sport Back 4 Complete Back Pan & Cushion Assy's, 12"- 22"W	131
TB3 Sport Back/Sport Back 4 Complete Back Pan & Cushion Assy's, 24"- 32"W	135
TB3 TRU-Comfort 2/4 Complete Back Pan & Cushion Assy's, 12"-22"W . 137	
TB3 TRU-Comfort 2/4 Complete Back Pan & Cushion Assy's, 24"-28"W . 139	
TRU Comfort 2 4 Way Stretch Cushions, 12"-19"W, TB3	142
TRU Comfort 2 4 Way Stretch Cushions, 20"-28"W, TB3	145
TRU Comfort 2 Complete Back w/Mesh Cushion, TB3	141
TRU Comfort 2 Mesh Cushions	151
TRU-Comfort 2 Bolsters and Supports, TB3	179
TRU-Comfort 4 Back Cushion Covers, 14"-18"W	159, 213
TRU-Comfort 4 Back Cushion Covers, 19"-22"W	161, 215
TRU-Comfort 4 Back Cushions, 14"-18"W	152, 209
TRU-Comfort 4 Back Cushions, 19"-22"W	155, 211
TRU-Comfort 4 Back Cushions, 24"-28"W	157
Wire Conduit, REAC Lift	503

Appendix B:Parts Index

ACC123525	262, 512	ALBR20T6Q	182
ACC1806853	262, 512	ALBR20TA4	256
ACCBELT1000	280	ALBR20TAQ	182
ACCBELT1001	280	ALBR20TD4	256
ACCBELT1002	280	ALBR20TDQ	182
ACCBELT1003	280	ALBR20X64	256
ACCBELT1004	280	ALBR20XA4	256
ACCBELT1006	280	ALBR20XD4	256
ACCBELT1016	14, 26, 30, 38, 50, 54, 282	BRK8110003	108
ACT8120001	114, 116, 124	CTL123218	304, 336, 344, 352, 362, 370, 378, 386, 394, 516
ALBR14LA4	256	CTL137822	344, 352, 362, 378, 386, 394
ALBR14LD4	256	CTL137838	456, 458, 460, 462, 464, 466, 468, 470, 472, 482, 484, 486, 488, 490, 492, 494, 496, 498
ALBR14MA4	256	CTL143976	294
ALBR14MD4	256	CTL143977	294
ALBR16S6Q	182	CTL143979	302
ALBR16SA4	256	CTL143980	306
ALBR16SAQ	182	CTL143981	306
ALBR16SD4	256	CTL143982	296
ALBR16SDQ	182	CTL143983	296
ALBR16T64	256	CTL143984	296
ALBR16T6Q	182	CTL143985	296, 298, 444
ALBR16TA4	256	CTL143986	296, 298, 444
ALBR16TAQ	182	CTL143988	308
ALBR16TD4	256	CTL143989	308
ALBR16TDQ	182	CTL143990	308
ALBR16X64	256	CTL144009	304
ALBR16XA4	256	CTL144010	304
ALBR16XD4	256	CTLDC1523	450, 452, 454, 456, 458, 460, 462, 464, 466, 468, 470, 472, 476, 478, 480, 482, 484, 486, 488, 490, 492, 494, 496, 498
ALBR18S64	256	CUS121432	144
ALBR18S6Q	182	CUS121433	144
ALBR18SA4	256	CUS121441	144
ALBR18SAQ	182	CUS121442	144
ALBR18SD4	256	CUS121443	144
ALBR18SDQ	182	CUS121444	144
ALBR18T64	256	CUS121446	144
ALBR18T6Q	182	CUS121447	144
ALBR18TA4	256	CUS121448	144
ALBR18TAQ	182	CUS121449	144
ALBR18TD4	256	CUS121450	144
ALBR18TDQ	182	CUS121451	144
ALBR18X64	256	CUS121452	144
ALBR18XA4	256	CUS121453	144
ALBR18XD4	256	CUS121454	144
ALBR20S64	256	CUS121455	144
ALBR20S6Q	182	CUS121456	144
ALBR20SA4	256	CUS121458	144
ALBR20SAQ	182	CUS121460	144
ALBR20SD4	256	CUS121462	146
ALBR20SDQ	182	CUS121463	146
ALBR20T64	256		

CUS121464	146	CUS130569	150
CUS121465	146	CUS130570	150
CUS121466	146	CUS130571	150
CUS121467	146	CUS130572	150
CUS121468	146	CUS130573	150
CUS121469	146	CUS130574	150
CUS121470	146	CUS130575	150
CUS121471	146	CUS130576	148
CUS121472	146	CUS130577	148
CUS121473	146	CUS130578	148
CUS121474	146	CUS130579	148
CUS121476	146	CUS130580	148
CUS121477	146	CUS130581	150
CUS121479	146	CUS130582	150
CUS121480	146	CUS130583	150
CUS122169	180	CUS130584	150
CUS125348	148	CUS130585	150
CUS125349	148	CUS130586	150
CUS125376	148	CUS130587	150
CUS125383	150	CUS130588	148
CUS125384	150	CUS130589	148
CUS130539	148	CUS130590	148
CUS130540	148	CUS130591	148
CUS130541	148	CUS130592	148
CUS130542	148	CUS130593	150
CUS130543	148	CUS130594	150
CUS130544	148	CUS130596	150
CUS130545	148	CUS130597	150
CUS130546	150	CUS130598	150
CUS130547	150	CUS131244	180
CUS130548	150	DGN124307	326, 326
CUS130549	150	DGN124309	294
CUS130550	150	DGN124336-PBK1	326, 326
CUS130551	150	DGN124336-PBK3	326
CUS130552	150	DGN124336-PBU1	326
CUS130553	148	DGN124336-PBU10	326
CUS130554	148	DGN124336-PBU11	326
CUS130555	148	DGN124336-PBU9	326, 326
CUS130556	148	DGN124336-PGN11	326
CUS130557	148	DGN124336-PGN5	326
CUS130558	150	DGN124336-PGN7	326
CUS130559	150	DGN124336-PGN8	326
CUS130560	150	DGN124336-POR4	326
CUS130561	150	DGN124336-POR6	326
CUS130562	150	DGN124336-POR7	326
CUS130563	150	DGN124336-PPK1	326
CUS130564	150	DGN124336-PPK3	326
CUS130565	148	DGN124336-PPK4	326
CUS130566	148	DGN124336-PPR4	326
CUS130567	148	DGN124336-PPR5	326
CUS130568	148	DGN124336-PPR7	326

DGN124336-PRD1	326, 326	DGN148038	272, 506
DGN124336-PRD4	326	DGN148045	272, 506
DGN124336-PSL1	326	DGN148046	272, 506
DGN124336-PSL3	326	DGN148047	272, 506
DGN124336-PSL7	326	DGN148074	272, 506
DGN124336-PWH2	326	DGN148075	272, 506
DGN124336-PYL3	326, 326	DGN148076	272, 506
DGN124336-PYL4	326	DGN148077	272, 506
DGN124336-WCB1	326	DGN153134	278, 502
DGN124336-WCM7	326	DGN154742	294, 306
DGN124336-WFL2	326	DGN1706558	272, 506
DGN137728	328, 328	DGN1707169	272, 506
DGN137729-PBK1	328, 328	DGN1707171	272, 506
DGN137729-PBK3	328	DGN1707173	272, 506
DGN137729-PBU1	328	DGN1714080	130, 276, 510
DGN137729-PBU10	328	DGN1714081	130, 276, 510
DGN137729-PBU11	328	DGN1714085-PBK1	128, 274, 508
DGN137729-PBU9	328, 328	DGN1714085-PBK3	128, 274, 508
DGN137729-PGN11	328	DGN1714085-PBU10	128, 274, 508
DGN137729-PGN5	328	DGN1714085-PBU11	128, 274, 508
DGN137729-PGN7	328	DGN1714085-PBU9	128, 274, 508
DGN137729-PGN8	328	DGN1714085-PGN11	128, 274, 508
DGN137729-POR4	328	DGN1714085-PGN8	128, 274, 508
DGN137729-POR6	328	DGN1714085-POR7	128, 274, 508
DGN137729-POR7	328	DGN1714085-PPK3	128, 274, 508
DGN137729-PPK1	328	DGN1714085-PPK4	128, 274, 508
DGN137729-PPK3	328	DGN1714085-PPR5	128, 274, 508
DGN137729-PPK4	328	DGN1714085-PPR7	128, 274, 508
DGN137729-PPR4	328	DGN1714085-PRD1	128, 274, 508
DGN137729-PPR5	328	DGN1714085-PRD4	128, 274, 508
DGN137729-PPR7	328	DGN1714085-PSL3	128, 274, 508
DGN137729-PRD1	328, 328	DGN1714085-PWT2	128, 274, 508
DGN137729-PRD4	328	DGN1714085-PYL4	128, 274, 508
DGN137729-PSL1	328	DGN1714085-WCB1	128, 274, 508
DGN137729-PSL3	328	DGN1714085-WCM7	128, 274, 508
DGN137729-PSL7	328	DGN1714085-WFL2	128, 274, 508
DGN137729-PWH2	328	DGN1714328-PBK3	232
DGN137729-PYL3	328, 328	DGN1800061	266
DGN137729-PYL4	328	DGN1800062	266
DGN137729-WCB1	328	DGN1800063	266
DGN137729-WCM7	328	DGN1800064	266
DGN137729-WFL2	330	DGN1800065	266
DGN140236	252	DGN1800066	266
DGN146444-A	268	DGN1800067	266
DGN146444-B	268	DGN1800068	266
DGN146907	84, 86, 88, 90, 98	DGN1800069	266
DGN148032	272, 506	DGN1800070	266
DGN148034	272, 506	DGN1800071	266
DGN148035	272, 506	DGN1800072	266
DGN148036	272, 506	DGN1800073	266
DGN148037	272, 506	DGN1800074	266

DGN1800075	266	DWR1010H145	450, 452, 454, 456, 458, 460, 462, 464, 466, 468, 470, 472
DGN1800076	266	DWR1044E456A	184
DGN1800077	266	DWR1044E456B	184
DGN1800764-PBK3	260	DWR1111H047	336, 344, 352, 362, 370, 378, 386, 394, 398, 400, 402, 404, 408, 410, 412, 414, 418, 420, 422, 424, 426, 428, 430, 432, 434, 436, 438, 440, 442
DGN1801259-PBU11	272, 506	DWR1111H053	344, 352, 362, 378, 386, 394
DGN1801259-PGN11	272, 506	DWR1111H065	370, 378, 386, 394, 408, 410, 412, 414, 428, 430, 432, 434
DGN1801259-POR7	272, 506	DWR1111H311	418
DGN1801259-PPK4	272, 506	DWR1111H565	450, 452, 454, 456, 458, 460, 462, 464, 466, 468, 470, 472, 476, 478, 480, 482, 484, 486, 488, 490, 492, 494, 496, 498, 499
DGN1801259-PPR7	272, 506	DWR1111H567	450, 452, 454, 456, 458, 460, 462, 464, 466, 468, 470, 472, 476, 478, 480, 482, 484, 486, 488, 490, 492, 494, 496, 498
DGN1801259-PRD4	272, 506	DWR1234L018	290
DGN1801259-PYL4	272, 506	DWR1234L054	288
DGN1802631-PBK1	268	DWR1235L167	288, 290
DGN1802631-PBK3	268	DWR1235L199	288, 290
DGN1802631-PBU10	268	DWR1235L603	288, 290
DGN1802631-PBU11	268	DWR1265H005	336, 344, 352, 362, 370, 378, 386, 394
DGN1802631-PBU9	268	DWR1265H006	336, 344, 352, 362, 370, 378, 386, 394
DGN1802631-PGN11	268	DWR1265H007	336, 344, 352, 362, 370, 378, 386, 394
DGN1802631-PGN8	268	DWR1265H038	264, 514, 518, 520
DGN1802631-POR7	268	DWR1265H047	418, 420, 422, 424, 426, 428, 430, 432, 434
DGN1802631-PPK3	268	DWR1265H077	452, 454, 456, 460, 464, 466, 470, 472, 478, 480, 484, 486, 490, 492, 496, 498
DGN1802631-PPK4	268	DWR1265H078	452, 456, 464, 470, 478, 484, 490, 496
DGN1802631-PPR5	268	DWR1303B026	338, 346, 356, 364, 372, 380, 388, 396, 452, 456, 464, 470, 478, 484, 490, 496
DGN1802631-PPR7	268	DWR1306C024	254
DGN1802631-PRD1	268	DWR1306D014	180
DGN1802631-PRD4	268	DWR1306D059	180
DGN1802631-PSL3	268	DWR1358C041	248
DGN1802631-PWT2	268	DWR1358D021	248
DGN1802631-PYL4	268	DWR1358D026	248
DGN1803491	278, 502	DWR1358D027	248
DGN1804554-PBK3	232	DWR1358D031	248
DGN1804555-PBK3	232	DWR1358D034	248
DGN1804556-PBK3	232	DWR1358D035	248
DGN1804557-PBK3	232	DWR1359B003	242, 254
DGN1804558-PBK3	232	DWR1360A002	244, 246, 248
DGN1900261	130, 276, 510	ELE130012	414
DGN1904463	130, 276, 510	ELE130023	412
DGN1905045	266	ELE130742	408
DGN1905048	266	ELE130743	410
DGN1905051	266	ELE130756	366
DGN1905054	266	ELE130757	366
DGN1905057	266	ELE130758	366
DGN1905060	266	ELE130759	366
DGN1905063	266	ELE130772	382
DGN2004884	270	ELE130782	382
DWR1000C390	522, 524		
DWR1005B112	244, 246		
DWR1010B161	312, 406, 416, 446, 448, 474, 500		
DWR1010D298	306, 346, 356, 364, 380, 388, 396		
DWR1010D446	302		
DWR1010H135	450, 452, 454, 456, 458, 460, 462, 464, 466, 468, 470, 472		

ELE130783	382	ELE144006	294
ELE130784	382	ELE145674	84, 88, 92, 96, 100
ELE130785	382	ELE145770	336, 344, 352, 362, 398, 400, 402, 404, 420, 422, 424, 426, 436, 438, 440, 442
ELE130786	382	ELE146865	338, 346, 356, 364, 372, 380, 388, 396, 398, 400, 402, 404, 408, 410, 412, 414, 420, 422, 424, 426, 428, 430, 432, 434, 436, 438, 440, 442, 450, 452, 454, 456, 458, 460, 462, 464, 466, 468, 470, 472, 476, 478, 480, 482, 484, 486, 488, 490, 492, 494, 496, 498
ELE130787	382	ELE147120	86, 94
ELE130788	382	ELE147121	86, 94, 450, 452, 454, 456, 458, 460, 462, 464, 466, 468, 470, 472
ELE130805	390	ELE148166	332
ELE130806	390	ELE148167	334
ELE130807	390	ELE148225	332
ELE130808	390	ELE148226	334
ELE130809	390	ELE148227	332
ELE130810	390	ELE148228	334
ELE130811	390	ELE148229	332
ELE130812	390	ELE148230	334
ELE130833	374	ELE148231	332
ELE130834	374	ELE148233	332
ELE130835	374	ELE148234	332
ELE130836	374	ELE148235	348
ELE130837	374	ELE148236	350
ELE130838	374	ELE148237	348
ELE130841	374	ELE148238	348
ELE130843	374	ELE148239	350
ELE131477	312, 406, 416, 446, 474	ELE148240	348
ELE135166	366	ELE148241	348
ELE135167	366	ELE148242	350
ELE135168	366	ELE148243	348
ELE135179	382	ELE148244	348
ELE135182	382	ELE148245	350
ELE135185	382	ELE148246	348
ELE135187	382	ELE148247	348
ELE135188	382	ELE148250	348
ELE135189	382	ELE148251	348
ELE135206	374	ELE148252	348
ELE135208	374	ELE148253	348
ELE135213	374	ELE148254	348
ELE135217	374	ELE148255	340
ELE135219	374	ELE148256	342
ELE135220	374	ELE148257	340
ELE135221	390	ELE148258	340
ELE135222	390	ELE148259	342
ELE135223	390	ELE148260	340
ELE135224	390	ELE148262	340
ELE135225	390	ELE148263	342
ELE135226	390	ELE148264	340
ELE135850	418	ELE148265	340
ELE135907	432	ELE148266	342
ELE135912	434	ELE148271	340
ELE135915	428		
ELE135917	430		
ELE136088	450, 452, 454, 456, 458, 460, 462, 464, 466, 468, 470, 472, 476, 478, 480, 482, 484, 486, 488, 490, 492, 494, 496, 498		

ELE148272	340	ELE153047	454
ELE148273	340	ELE153048	462
ELE148274	340	ELE153049	464
ELE148276	340	ELE153050	466
ELE148277	340	ELE153051	468
ELE148278	340	ELE153052	470
ELE148279	358	ELE153053	472
ELE148280	360	ELE153055	458
ELE148281	358	ELE153056	456
ELE148282	358	ELE153057	460
ELE148283	360	ELE153230	452
ELE148284	358	ELE153231	450
ELE148285	358	ELE153232	454
ELE148286	360	ELE153301	78, 80, 336, 344, 352, 362, 370, 378, 386, 394, 398, 400, 402, 404, 408, 410, 412, 414, 420, 422, 424, 426, 428, 430, 432, 434, 436, 438, 440, 442
ELE148287	358	ELE168069	310
ELE148288	358	ELE168113	298, 444
ELE148289	360	ELE168114	298, 444
ELE148290	358	ELE1700789	320
ELE148291	358	ELE1700824	320
ELE148292	358	ELE1700826	320
ELE148293	358	ELE1700827	320
ELE148294	358	ELE1704823	336, 338, 344, 346, 352, 356, 362, 364, 370, 372, 378, 380, 386, 388, 394, 396, 400, 410, 422, 430, 438
ELE148295	358	ELE1712717	314
ELE148296	358	ELE1712722	314
ELE151798	398	ELE1712724	314
ELE151799	398	ELE1712725	314
ELE151800	400	ELE1805107	318
ELE151801	400	ELE1805109	318
ELE151802	402	ELE1805110	316
ELE151803	402	ELE1805111	316
ELE151804	404	ELE1805112	316
ELE151805	404	ELE1805113	316
ELE151807	420	ELE1808585	298, 436, 438, 440, 442, 444, 476, 478, 480, 482, 484, 486, 488, 490, 492, 494, 496, 498
ELE151809	420, 436	ELE1808670	298, 444
ELE151814	422	ELE1808809	476, 478, 480, 482, 484, 486, 488, 490, 492, 494, 496, 498
ELE151817	422, 438	ELE1808813	298, 444
ELE151824	424	ELE1808847	476, 478, 480, 482, 484, 486, 488, 490, 492, 494, 496, 498
ELE151826	424, 440	ELE1905403	448, 500
ELE151828	426	ELE1905923	436
ELE151829	426, 442	ELE1905924	438
ELE153035	462	ELE1905942	440
ELE153036	464	ELE1905945	442
ELE153037	466	ELE1905961	476
ELE153038	468	ELE1905962	478
ELE153039	470	ELE1906040	480
ELE153040	472	ELE1906042	488
ELE153041	458	ELE1906055	490
ELE153042	456	ELE1906058	492
ELE153043	460		
ELE153045	450		
ELE153046	452		

ELE1906178	494	ELEASMB7163	414
ELE1906179	496	ELEASMB7164	410
ELE1906180	498	ELEASMB7258	432
ELE1906181	482	ELEASMB7262	434
ELE1906182	484	ELEASMB7265	428
ELE1906183	486	ELEASMB7267	430
ELE1906902	476	FAB140123	184
ELE1906904	478	FRM8120061	110, 112, 114, 116, 120, 122, 124
ELE1906906	480	FRMASMB10455	306
ELE1906907	488	FRMASMB10617	294
ELE1906908	490	FRMASMB11156	306
ELE1906909	492	FRMASMB11354	524
ELE1906910	494	FRMASMB15834	240
ELE1906911	496	FRMASMB15835	240
ELE1906912	498	FRMASMB15838	240
ELE1906913	482	FRMASMB15839	240
ELE1906914	484	FRMASMB15842	240
ELE1906915	486	FRMASMB15843	240
ELE1908260	322	FRMASMB15999	258
ELE1908262	322	FRMASMB16062	262, 512
ELE1908263	322	FRMASMB16274	284
ELE1908264	322	FRMASMB17113	242
ELE2000743	324	FRMASMB17114	242
ELE2000745	324	FRMASMB17115	242
ELEASMB4949	522, 524	FRMASMB17116	242
ELEASMB4950	522, 524	FRMASMB17117	242
ELEASMB5156	524	FRMASMB17640	520
ELEASMB5157	524	FRMASMB17641	520
ELEASMB5616	368	FRMASMB17642	520
ELEASMB5617	368	FRMASMB7120047	114, 116
ELEASMB5618	368	FRMASMB8929	520, 524
ELEASMB5619	368	HAR143994	298, 300, 444
ELEASMB5624	376	HAR144000	300
ELEASMB5625	376	HAR144001	306
ELEASMB5626	376	HAR144002	300
ELEASMB5627	376	HAR144003	300
ELEASMB5632	384	HAR144004	300
ELEASMB5633	384	HAR144005	300
ELEASMB5634	384	HDW120048	104, 106, 108
ELEASMB5635	384	HDW121242	28, 32, 52, 56, 72, 74, 248, 252, 252
ELEASMB5640	392	HDW123425	120, 122, 124
ELEASMB5641	392	HDW123677	450, 452, 454, 456, 458, 460, 462, 464, 466, 468, 470, 472, 476, 478, 480, 482, 484, 486, 488, 490, 492, 494, 496, 498
ELEASMB5642	392	HDW124709	174, 176, 178
ELEASMB5643	392	HDW124710	176, 178
ELEASMB6213	418	HDW124711	174
ELEASMB6557	408	HDW124712	176, 178
ELEASMB7120023	312, 406, 416, 446, 448, 474, 500	HDW124866	346, 356, 364, 380, 388, 396
ELEASMB7120024	312, 406, 416, 446, 448, 474, 500	HDW125022	456, 458, 460, 462, 464, 466, 468, 470, 472, 482, 484, 486, 488, 490, 492, 494, 496, 498
ELEASMB7120025	312, 406, 416, 446, 474	HDW130230	280
ELEASMB7120026	312, 406, 416, 446, 474		
ELEASMB7162	412		

HDW131337	272, 418, 456, 458, 460, 462, 464, 466, 468, 470, 472, 482, 484, 486, 488, 490, 492, 494, 496, 498, 506	MEC121720	312, 406, 416, 446, 448, 474, 500
HDW131509	120, 122	MEC122827	346, 356, 364, 380, 388, 396
HDW131891	2, 4, 6, 8	MEC122963	110, 112, 120, 122
HDW131909	280	MEC124846	110
HDW131958	112, 122	MEC125176	110, 112, 120, 122
HDW135288	110, 112, 114, 116, 120, 122, 124, 300	MEC125270	306
HDW136696	108	MEC130241	454, 460, 466, 472, 480, 486, 492, 498
HDW138550	110, 112, 114, 116	MEC131114	264, 514, 516, 518, 522
HDW140237	254	MEC131121	110, 112, 114, 116, 120, 122, 124
HDW142810	104, 108	MEC131180	104, 106
HDW144208	504	MEC131182	104, 104, 106
HDW144513	120, 122, 124	MEC131336	418
HDW145339	104	MEC131475	312, 406, 416, 446, 448, 474, 500
HDW145729	2, 4, 6, 8, 10, 12, 16, 18, 20, 22, 24, 28, 32, 34, 36, 40, 42, 44, 46, 48, 52, 56, 58, 60, 62, 64, 66, 68, 70, 72, 74	MEC131902	104
HDW147454	84, 86, 88, 90, 92, 94, 96, 98, 102	MEC133591	104, 106
HDW147703	8, 10, 12, 16, 18, 20, 22, 24, 28, 32, 52, 56, 72, 74	MEC134122	516
HDW154279	116	MEC136479	516
HDW154800	100	MEC136981	304, 338, 346, 356, 364, 372, 380, 388, 396, 516
HDW155221	92, 94, 96	MEC137995	264, 514, 518
HDW166324	92, 94, 96	MEC137996	264, 514, 518
HDW1714576	280	MEC138015	248, 252
HDW1801739	106	MEC138192	308
HDW1804080	120, 122, 124	MEC138354	450, 452, 454, 456, 458, 460, 462, 464, 466, 468, 470, 472, 476, 478, 480, 482, 484, 486, 488, 490, 492, 494, 496, 498
HDW1901114	522	MEC138556	338, 346, 356, 364, 372, 380, 388, 396
HDW1908031	120, 122, 124	MEC138637	398, 400, 402, 404, 408, 410, 412, 414, 418, 420, 422, 424, 426, 428, 430, 432, 434, 436, 438, 440, 442
HDWASMB1084	258	MEC140003	252
HDWASMB1166	258	MEC140044	248
INDPART2219	258	MEC140090	244
INDPART2327	258	MEC140091	244
INDPART2647	258	MEC140228	248
INDPART2648	258	MEC140229	248
INDPART2649	258	MEC140230	248
INDPART2677	284	MEC140231	248
INDPART2715	258	MEC140233	248
INDPART2815	258	MEC140266	244
INDPART2919	258	MEC140272	244
KIT147830	78, 80	MEC140278	244
KIT147831	78, 80	MEC140279	244
KIT147834	78, 80	MEC140345	110, 112, 114, 116
KIT153238	78, 80	MEC141455	246
KIT1900773	82	MEC141456	246
KIT1900783	82	MEC141457	246
KIT1901189	82	MEC141458	246
KIT1901190	82	MEC141459	246
LAB148431	288	MEC141460	246
LAB150425	90, 98	MEC142133	104, 108
LAB153133	290	MEC143421	302
LAB1906474	100	MEC143975	250
MEC120550	346, 356, 364, 380, 388, 396	MEC144370	34, 36, 40, 42, 44, 46, 48, 52, 56

MEC144774	10, 12, 16, 18, 20, 22, 24, 28, 32, 34, 40, 44, 46, 52, 58, 62, 66, 68, 72	MEC155688	92, 94, 96
MEC145322	104, 106	MEC155983	296, 298, 444
MEC145365	110, 112, 114, 116, 120, 122, 124	MEC156032	296
MEC145375	14, 26, 30, 38, 50, 54	MEC160012	96
MEC145589	90, 98	MEC160013	96
MEC145955	250	MEC1611656	300
MEC145988	36, 42, 48, 56, 60, 64, 70, 74	MEC1611657	300
MEC145989	58, 60, 62, 64, 66, 68, 70, 72, 74	MEC1612385	6, 20, 22, 44, 66
MEC146018	250	MEC162072	296, 298, 308, 444
MEC146025	90, 98	MEC162154	92, 94
MEC146050	250	MEC162155	92, 94
MEC146051	250	MEC167592	92
MEC146133	262, 512	MEC167593	96
MEC146551	84, 86, 88	MEC167594	94
MEC146557	84, 86, 88	MEC168034	300
MEC146558	84, 86, 88	MEC169545	88
MEC146616	84, 86	MEC1703281	80
MEC146630	84, 86	MEC1703351	80
MEC147096	84	MEC1704783	24, 46, 48, 68, 70
MEC147688	90, 98	MEC1705549	252
MEC148055	78, 80	MEC1706847	92, 94, 96
MEC148116	110	MEC1707284	92, 94, 96
MEC148117	112	MEC1711061	8, 28, 32, 52, 56, 72, 74
MEC148118	114, 116	MEC1804302	234
MEC148170	90, 98	MEC1804303	234
MEC148171	90, 98, 102	MEC1804304	234
MEC148172	84, 86, 88, 90, 92, 94, 96, 98	MEC1804305	234
MEC148448	2, 10, 12, 34, 36, 58, 60	MEC1804306	234
MEC150194	84, 86, 88	MEC1804307	234
MEC150224	84, 86, 88	MEC1804308	234
MEC150401	4, 16, 18, 40, 42, 62, 64	MEC1804309	234
MEC150680	2, 4, 6, 8	MEC1804310	234
MEC150682	2, 4, 6, 8	MEC1804311	234
MEC150685	2, 4, 6, 8	MEC1804312	234
MEC150687	2, 4, 6, 8	MEC1804313	234
MEC150688	2, 4, 6, 8	MEC1805078	120, 122, 124
MEC150689	2, 4, 6, 8	MEC1809294	262, 512
MEC151007	10, 12, 16, 18, 20, 22, 24, 28, 32	MEC1810306	100
MEC152998	88	MEC1810668	264, 514, 518
MEC153159	88	MEC1900194	108
MEC153358	86	MEC1900288	100
MEC153443	78	MEC1900333	100
MEC154675	78	MEC1900335	100
MEC154678	504	MEC1900336	100
MEC154679	78	MEC1900337	100
MEC154680	78	MEC1900823	100
MEC155025	92, 94, 96	MEC1901106	120
MEC155045	92, 94, 96	MEC1902176	128, 274, 508
MEC155515	92, 94, 96	MEC1903499	260
MEC155518	92, 94, 96	MEC1904489	124
		MEC1904493	122

MEC1904509	234	QB2AL16AS	238
MEC1904510	234	QB2AL16AT	238
MEC1904511	234	QB2AL16AX	238
MEC1904512	234	QB2AL16DS	238
MEC1904513	234	QB2AL16DT	238
MEC1904515	234	QB2AL186S	238
MEC1906115	218, 226	QB2AL186T	238
MEC1906116	220, 228	QB2AL18AS	238
MEC1906117	222, 230	QB2AL18AT	238
MEC1906530	304	QB2AL18AX	238
MEC1906531	304	QB2AL18DS	238
MEC1906564	304	QB2AL18DT	238
MEC1906565	304	QB2AL18DX	238
MEC1906776	102	QB2AL206S	238
MEC1907221	260	QB2AL206T	238
MEC1907389	144, 146, 148, 150, 186, 188, 190, 192, 194, 196, 198, 200, 224, 236	QB2AL20AS	238
MEC1907500	304	QB2AL20AT	238
MEC1909905	14, 26, 30, 38, 50, 54, 282	QB2AL20AX	238
MEC2001391	304	QB2AL20DS	238
MEC2001392	304	QB2AL20DT	238
MEC2001395	304	QB2AL20DX	238
MEC2001400	304	QU-SB4-1413	164, 202
MEC2001401	304	QU-SB4-1415	164, 202
MOT144284	78, 80	QU-SB4-1417	164, 202
MOT147785	78	QU-SB4-1419	164, 202
MOT153430	78	QU-SB4-1421	164, 202
MOT155545	80	QU-SB4-1423	164, 202
NUT8120005	2, 4, 6, 8, 10, 12, 16, 18, 20, 22, 24, 28, 32, 34, 36, 40, 42, 44, 46, 48, 52, 56, 58, 60, 62, 64, 66, 68, 70, 72, 74, 112, 122, 244, 246, 338, 346, 356, 364, 372, 380, 388, 396, 452, 456, 464, 470, 478, 484, 490, 496	QU-SB4-1425	164, 202
NUTJAM1032	338, 346, 356, 364, 372, 380, 388, 396, 452, 454, 456, 460, 464, 466, 470, 472, 478, 480, 484, 486, 490, 492, 496, 498	QU-SB4-1513	164, 202
NUTNYLK1019	110, 112, 114, 116, 120, 122, 124	QU-SB4-1515	164, 202
NUTNYLK1026	244, 246	QU-SB4-1517	164, 202
NUTNYLK1065	312, 406, 416, 446, 448, 474, 500	QU-SB4-1519	164, 202
PLSTIE1004	100, 338, 346, 356, 364, 372, 380, 388, 396, 398, 400, 402, 404, 408, 410, 412, 414, 420, 422, 424, 426, 428, 430, 432, 434, 436, 438, 440, 442, 450, 452, 454, 456, 458, 460, 462, 464, 466, 468, 470, 472, 476, 478, 480, 482, 484, 486, 488, 490, 492, 494, 496, 498	QU-SB4-1521	164, 202
POS148480	258	QU-SB4-1523	164, 202
POS148484	258	QU-SB4-1525	164, 202
POS150617	258	QU-SB4-1613	164, 202
PROHDL1052	240	QU-SB4-1615	164, 202
QB2AL14AS	238	QU-SB4-1617	164, 202
QB2AL14AT	238	QU-SB4-1619	164, 202
QB2AL14DS	238	QU-SB4-1621	164, 202
QB2AL14DT	238	QU-SB4-1623	164, 202
QB2AL166S	238	QU-SB4-1625	164, 202
QB2AL166T	238	QU-SB4-1713	164, 202
		QU-SB4-1715	164, 202
		QU-SB4-1717	164, 202
		QU-SB4-1719	164, 202
		QU-SB4-1721	164, 202
		QU-SB4-1723	164, 202
		QU-SB4-1725	164, 202
		QU-SB4-1813	164, 202
		QU-SB4-1815	164, 202

QU-SB4-1817	164, 202	QU-SB4-2821	168
QU-SB4-1819	164, 202	QU-SB4-2823	168
QU-SB4-1821	164, 202	QU-SB4-2825	168
QU-SB4-1823	164, 202	QU-TC4V-1413	154, 210
QU-SB4-1825	164, 202	QU-TC4V-1415	154, 210
QU-SB4-1913	166, 204	QU-TC4V-1417	154, 210
QU-SB4-1915	166, 204	QU-TC4V-1419	154, 210
QU-SB4-1917	166, 204	QU-TC4V-1421	154, 210
QU-SB4-1919	166, 204	QU-TC4V-1423	154, 210
QU-SB4-1921	166, 204	QU-TC4V-1425	154, 210
QU-SB4-1923	166, 204	QU-TC4V-1513	154, 210
QU-SB4-1925	166, 204	QU-TC4V-1515	154, 210
QU-SB4-2013	166, 204	QU-TC4V-1517	154, 210
QU-SB4-2015	166, 204	QU-TC4V-1519	154, 210
QU-SB4-2017	166, 204	QU-TC4V-1521	154, 210
QU-SB4-2019	166, 204	QU-TC4V-1523	154, 210
QU-SB4-2021	166, 204	QU-TC4V-1525	154, 210
QU-SB4-2023	166, 204	QU-TC4V-1613	154, 210
QU-SB4-2025	166, 204	QU-TC4V-1615	154, 210
QU-SB4-2113	166, 204	QU-TC4V-1617	154, 210
QU-SB4-2115	166, 204	QU-TC4V-1619	154, 210
QU-SB4-2117	166, 204	QU-TC4V-1621	154, 210
QU-SB4-2119	166, 204	QU-TC4V-1623	154, 210
QU-SB4-2121	166, 204	QU-TC4V-1625	154, 210
QU-SB4-2123	166, 204	QU-TC4V-1713	154, 210
QU-SB4-2125	166, 204	QU-TC4V-1715	154, 210
QU-SB4-2213	166, 204	QU-TC4V-1717	154, 210
QU-SB4-2215	166, 204	QU-TC4V-1719	154, 210
QU-SB4-2217	166, 204	QU-TC4V-1721	154, 210
QU-SB4-2219	166, 204	QU-TC4V-1723	154, 210
QU-SB4-2221	166, 204	QU-TC4V-1725	154, 210
QU-SB4-2223	166, 204	QU-TC4V-1813	154, 210
QU-SB4-2225	166, 204	QU-TC4V-1815	154, 210
QU-SB4-2413	168	QU-TC4V-1817	154, 210
QU-SB4-2415	168	QU-TC4V-1819	154, 210
QU-SB4-2417	168	QU-TC4V-1821	154, 210
QU-SB4-2419	168	QU-TC4V-1823	154, 210
QU-SB4-2421	168	QU-TC4V-1825	154, 210
QU-SB4-2423	168	QU-TC4V-1913	156, 212
QU-SB4-2425	168	QU-TC4V-1915	156, 212
QU-SB4-2613	168	QU-TC4V-1917	156, 212
QU-SB4-2615	168	QU-TC4V-1919	156, 212
QU-SB4-2617	168	QU-TC4V-1921	156, 212
QU-SB4-2619	168	QU-TC4V-1923	156, 212
QU-SB4-2621	168	QU-TC4V-1925	156, 212
QU-SB4-2623	168	QU-TC4V-2013	156, 212
QU-SB4-2625	168	QU-TC4V-2015	156, 212
QU-SB4-2813	168	QU-TC4V-2017	156, 212
QU-SB4-2815	168	QU-TC4V-2019	156, 212
QU-SB4-2817	168	QU-TC4V-2021	156, 212
QU-SB4-2819	168	QU-TC4V-2023	156, 212

QU-TC4V-2025	156, 212	SB4-LBLK1615	170, 206
QU-TC4V-2113	156, 212	SB4-LBLK1617	170, 206
QU-TC4V-2115	156, 212	SB4-LBLK1619	170, 206
QU-TC4V-2117	156, 212	SB4-LBLK1621	170, 206
QU-TC4V-2119	156, 212	SB4-LBLK1623	170, 206
QU-TC4V-2121	156, 212	SB4-LBLK1625	170, 206
QU-TC4V-2123	156, 212	SB4-LBLK1713	170, 206
QU-TC4V-2125	156, 212	SB4-LBLK1715	170, 206
QU-TC4V-2213	156, 212	SB4-LBLK1717	170, 206
QU-TC4V-2215	156, 212	SB4-LBLK1719	170, 206
QU-TC4V-2217	156, 212	SB4-LBLK1721	170, 206
QU-TC4V-2219	156, 212	SB4-LBLK1723	170, 206
QU-TC4V-2221	156, 212	SB4-LBLK1725	170, 206
QU-TC4V-2223	156, 212	SB4-LBLK1813	170, 206
QU-TC4V-2225	156, 212	SB4-LBLK1815	170, 206
QU-TC4V-2413	158	SB4-LBLK1817	170, 206
QU-TC4V-2415	158	SB4-LBLK1819	170, 206
QU-TC4V-2417	158	SB4-LBLK1821	170, 206
QU-TC4V-2419	158	SB4-LBLK1823	170, 206
QU-TC4V-2421	158	SB4-LBLK1825	170, 206
QU-TC4V-2423	158	SB4-LBLK1913	172, 208
QU-TC4V-2425	158	SB4-LBLK1915	172, 208
QU-TC4V-2613	158	SB4-LBLK1917	172, 208
QU-TC4V-2615	158	SB4-LBLK1919	172, 208
QU-TC4V-2617	158	SB4-LBLK1921	172, 208
QU-TC4V-2619	158	SB4-LBLK1923	172, 208
QU-TC4V-2621	158	SB4-LBLK1925	172, 208
QU-TC4V-2623	158	SB4-LBLK2013	172, 208
QU-TC4V-2625	158	SB4-LBLK2015	172, 208
QU-TC4V-2813	158	SB4-LBLK2017	172, 208
QU-TC4V-2815	158	SB4-LBLK2019	172, 208
QU-TC4V-2817	158	SB4-LBLK2021	172, 208
QU-TC4V-2819	158	SB4-LBLK2023	172, 208
QU-TC4V-2821	158	SB4-LBLK2025	172, 208
QU-TC4V-2823	158	SB4-LBLK2113	172, 208
QU-TC4V-2825	158	SB4-LBLK2115	172, 208
SB4-LBLK1413	170, 206	SB4-LBLK2117	172, 208
SB4-LBLK1415	170, 206	SB4-LBLK2119	172, 208
SB4-LBLK1417	170, 206	SB4-LBLK2121	172, 208
SB4-LBLK1419	170, 206	SB4-LBLK2123	172, 208
SB4-LBLK1421	170, 206	SB4-LBLK2125	172, 208
SB4-LBLK1423	170, 206	SB4-LBLK2213	172, 208
SB4-LBLK1425	170, 206	SB4-LBLK2215	172, 208
SB4-LBLK1513	170, 206	SB4-LBLK2217	172, 208
SB4-LBLK1515	170, 206	SB4-LBLK2219	172, 208
SB4-LBLK1517	170, 206	SB4-LBLK2221	172, 208
SB4-LBLK1519	170, 206	SB4-LBLK2223	172, 208
SB4-LBLK1521	170, 206	SB4-LBLK2225	172, 208
SB4-LBLK1523	170, 206	SCR8110003	104, 106, 108
SB4-LBLK1525	170, 206	SCR8120002	174, 176, 178
SB4-LBLK1613	170, 206	SCR8120015	110, 112, 114, 116

SCR8120019	110, 112, 114, 116, 124	SET123655	138
SCRASBH1096	244, 246, 248	SET123690	10, 16, 20, 28
SCRASBH1148	248, 254	SET123691	12, 18, 22, 24, 32, 34, 40, 44, 46, 52, 58, 62, 66, 68, 72
SCRASBH1157	248	SET123692	36, 42, 48, 56, 60, 64, 70, 74
SCRASBH1209	242, 254	SET123998	10, 16, 20, 28
SCRASBH1210	302	SET123999	12, 18, 22, 24, 32
SCRASBH1264	218, 220, 222, 226, 228, 230, 234	SET124538	174
SCRASBH1322	516	SET124539	174
SCRHHCS1241	244	SET124546	176
SCRHHCS1382	338, 346, 356, 364, 372, 380, 388, 396, 452, 456, 464, 470, 478, 484, 490, 496	SET124547	176
SCRHHCS1412	10, 10, 12, 12, 16, 16, 18, 18, 20, 20, 22, 22, 24, 24, 28, 28, 32, 32, 34, 34, 36, 36, 40, 40, 42, 42, 44, 44, 46, 46, 48, 48, 52, 52, 56, 56, 58, 58, 60, 60, 62, 62, 64, 64, 66, 66, 68, 68, 70, 70, 72, 72, 74, 74, 112, 122, 246	SET124548	176
SCRHHCS1585	244, 246	SET124549	176
SCRHHCS1727	2, 4, 6, 8, 10, 12, 16, 18, 20, 22, 24, 28, 32, 34, 36, 40, 42, 44, 46, 48, 52, 56, 58, 60, 62, 64, 66, 68, 70, 72, 74, 244	SET124550	176
SCRPPH1029	520	SET124552	178
SCRPPH1036	306, 516	SET124553	178
SCRPPH1061	338, 346, 356, 364, 372, 380, 388, 396, 398, 400, 402, 404, 408, 410, 412, 414, 418, 420, 422, 424, 426, 428, 430, 432, 434	SET124555	178
SCRPPH1103	308	SET124556	178
SCRPPH1153	296, 298, 436, 438, 440, 442, 444	SET124557	178
SCRPPH1163	272, 296, 298, 300, 308, 444, 506	SET124576	138
SCRPPH1165	346, 356, 364, 380, 388, 396	SET124578	138
SCRPPH1276	346, 356, 364, 380, 388, 396	SET124597	138
SCRPPH1304	130, 276, 510	SET124599	138
SCRPPH1383	302	SET124601	138
SCRPPTC1021	110, 112, 114, 116, 120, 122, 124	SET124602	138
SCRSHCS1005	284	SET124603	138
SCRSHCS1095	264, 514, 518, 522	SET124605	138
SCRSHCS1096	312, 406, 416, 446, 448, 474, 500	SET124606	138
SCRSHCS1158	2, 4, 6, 8	SET124607	138
SCRSHCS1237	312, 406, 416, 446, 448, 474, 500	SET124609	138
SCRSHFH1015	450, 452, 454, 456, 458, 460, 462, 464, 466, 468, 470, 472, 476, 478, 480, 482, 484, 486, 488, 490, 492, 494, 496, 498	SET124610	138
SCRSHFH1190	260	SET124611	138
SCRSHFH1203	104, 106	SET124612	138
SET122294	180	SET124613	138
SET123465	180	SET124618	138
SET123622	138	SET124619	138
SET123623	138	SET124623	138
SET123631	138	SET124624	138
SET123633	138	SET124625	138
SET123635	138	SET124626	138
SET123637	138	SET124627	138
SET123639	138	SET124628	140
SET123641	138	SET124629	140
SET123651	138	SET124630	140
SET123653	138	SET124631	140
		SET124633	140
		SET124634	140
		SET124642	140
		SET124646	140
		SET124647	140
		SET124648	140
		SET130059	140

SET130060	140	SET130303	136
SET130061	140	SET130304	136
SET130062	140	SET130305	136
SET130206	132	SET130306	136
SET130246	132	SET130308	136
SET130247	132	SET130309	136
SET130248	132	SET130310	136
SET130249	132	SET130311	136
SET130250	132	SET130312	136
SET130251	132	SET130314	136
SET130252	132	SET130315	136
SET130253	132	SET130316	136
SET130254	132	SET130317	136
SET130255	132	SET130318	136
SET130256	132	SET130319	136
SET130257	132	SET130320	136
SET130258	132	SET130321	136
SET130259	132	SET130322	136
SET130260	132	SET130324	136
SET130261	132	SET130325	136
SET130262	132	SET130326	136
SET130263	132	SET130327	136
SET130264	132	SET130328	136
SET130265	132	SET130329	136
SET130266	132	SET130330	136
SET130267	132	SET130331	136
SET130268	132	SET130332	136
SET130269	132	SET130333	136
SET130270	132	SET130335	136
SET130271	132	SET130336	136
SET130272	132	SET130341	136
SET130273	132	SET148101	34
SET130274	132	SET148102	12, 18, 22, 24, 32, 34, 40, 44, 46, 52, 58, 62, 66, 68, 72
SET130275	132	SET148103	34, 36, 40, 42, 44, 46, 48, 52, 56
SET130276	132	SET148104	34, 40, 44, 46, 52
SET130277	132	SET148107	36
SET130278	132	SET148109	36, 42, 48, 56, 60, 64, 70, 74
SET130279	132	SET148110	36, 42, 48, 56
SET130280	132	SET148111	58
SET130281	134	SET148112	58, 62, 66, 68, 72
SET130292	134	SET148113	58, 60, 62, 64, 66, 68, 70, 72, 74
SET130293	134	SET148114	60
SET130294	134	SET148115	60, 64, 70, 74
SET130295	134	SET150325	238, 258
SET130296	134	SET150326	258
SET130297	134	SET154030	38
SET130298	134	SET155443	12
SET130299	136	SET155888	10
SET130300	136	SET155898	10, 16, 20, 28
SET130301	136	SET167884	182, 256, 258
SET130302	136	SET167920	2

SET168414	2, 4, 6, 8	SET1902604	190
SET1703492	6	SET1902605	190
SET1703494	20	SET1902606	190
SET1703497	22	SET1902608	218
SET1703498	44	SET1902609	186
SET1703499	48	SET1902610	186
SET1703500	66	SET1902611	220
SET1703501	70	SET1902613	188
SET1705234	24	SET1902614	188
SET1705235	46	SET1902615	222
SET1705236	68	SET1902616	190
SET1710204	50	SET1902617	190
SET1805294	14	SET1902618	190
SET1805295	26	SET1902619	190
SET1806341	4	SET1902621	218
SET1806342	16	SET1902622	186
SET1806343	18	SET1902623	186
SET1806344	40	SET1902624	220
SET1806345	42	SET1902625	188
SET1806346	62	SET1902626	188
SET1806347	64	SET1902627	222
SET1902540	218	SET1902628	190
SET1902545	186	SET1902629	190
SET1902546	186	SET1902630	190
SET1902548	220	SET1902631	190
SET1902549	188	SET1902633	218
SET1902551	188	SET1902634	186
SET1902552	222	SET1902635	186
SET1902553	190	SET1902636	220
SET1902554	190	SET1902637	188
SET1902555	190	SET1902638	188
SET1902556	190	SET1902639	222
SET1902559	218	SET1902640	190
SET1902560	186	SET1902641	190
SET1902567	186	SET1902643	190
SET1902568	220	SET1902644	190
SET1902570	188	SET1902645	190
SET1902571	188	SET1902858	190
SET1902573	222	SET1902859	190
SET1902574	190	SET1902866	190
SET1902575	190	SET1906056	194
SET1902576	190	SET1906057	194
SET1902577	190	SET1906060	196
SET1902579	218	SET1906061	196
SET1902580	186	SET1906063	198
SET1902587	186	SET1906065	198
SET1902599	220	SET1906070	198
SET1902600	188	SET1906071	198
SET1902601	188	SET1906073	194
SET1902602	222	SET1906076	194
SET1902603	190	SET1906078	196

SET1906080	196	SET1906755	56
SET1906081	198	SET1906757	72
SET1906083	198	SET1906758	74
SET1906086	198	SET1906949	30
SET1906087	198	SET1906950	54
SET1906089	194	SET1907172	186
SET1906090	194	SET1907173	188
SET1906091	196	SET1907174	188
SET1906092	196	SET1907175	190
SET1906093	198	SET1907176	190
SET1906094	198	SET1907181	186
SET1906095	198	SET1908873	186
SET1906096	198	SET1908874	186
SET1906097	194	SET1908875	186
SET1906098	194	SET1908876	186
SET1906099	196	SET1908877	186
SET1906100	196	SET1908878	186
SET1906101	198	SET1908879	186
SET1906102	198	SET1908880	188
SET1906103	198	SET1908881	188
SET1906104	198	SET1908882	188
SET1906105	194	SET1908883	188
SET1906106	194	SET1908884	188
SET1906107	196	SET1908885	188
SET1906108	196	SET1908886	188
SET1906109	198	SET1908887	188
SET1906110	198	SET1908888	188
SET1906111	198	SET1908889	188
SET1906113	198	SET1908890	188
SET1906140	194	SET1908891	188
SET1906141	194	SET1908892	188
SET1906143	196	SET1908893	188
SET1906144	196	SET1908894	188
SET1906146	198	SET1908895	188
SET1906147	198	SET1908896	188
SET1906157	194	SET1908897	188
SET1906158	194	SET1908898	188
SET1906187	198	SET1908899	188
SET1906197	198	SET1908900	188
SET1906198	198	SET1908901	190
SET1906205	198	SET1908902	190
SET1906206	198	SET1908903	190
SET1906207	198	SET1908904	190
SET1906208	198	SET1908905	190
SET1906209	198	SET1908906	194
SET1906210	196	SET1908907	194
SET1906211	196	SET1908908	194
SET1906646	28	SET1908909	194
SET1906749	8	SET1908910	194
SET1906750	32	SET1908911	194
SET1906754	52	SET1908912	194

SET1908913	196	SWTMCRO1100	264, 514, 518, 520
SET1908914	196	TC4-NBLK1413	160, 214
SET1908915	196	TC4-NBLK1415	160, 214
SET1908916	196	TC4-NBLK1417	160, 214
SET1908917	196	TC4-NBLK1419	160, 214
SET1908918	196	TC4-NBLK1421	160, 214
SET1908919	196	TC4-NBLK1423	160, 214
SET1908920	196	TC4-NBLK1425	160, 214
SET1908921	196	TC4-NBLK1513	160, 214
SET1908922	196	TC4-NBLK1515	160, 214
SET1908923	196	TC4-NBLK1517	160, 214
SET1908924	196	TC4-NBLK1519	160, 214
SET1908925	196	TC4-NBLK1521	160, 214
SET1908926	196	TC4-NBLK1523	160, 214
SET1908927	196	TC4-NBLK1525	160, 214
SET1908928	196	TC4-NBLK1613	160, 214
SET1908929	196	TC4-NBLK1615	160, 214
SET1908930	196	TC4-NBLK1617	160, 214
SET1908931	196	TC4-NBLK1619	160, 214
SET1908932	196	TC4-NBLK1621	160, 214
SET1908933	196	TC4-NBLK1623	160, 214
SET1908934	198	TC4-NBLK1625	160, 214
SET1908936	198	TC4-NBLK1713	160, 214
SET1908937	198	TC4-NBLK1715	160, 214
SET1908938	198	TC4-NBLK1717	160, 214
SET1908939	198	TC4-NBLK1719	160, 214
SETHEAD1052	258	TC4-NBLK1721	160, 214
SETHEAD1053	258	TC4-NBLK1723	160, 214
SETHEAD1057	258	TC4-NBLK1725	160, 214
SETHEAD1069	258	TC4-NBLK1813	160, 214
SETHEAD1070	258	TC4-NBLK1815	160, 214
SETHEAD1071	258	TC4-NBLK1817	160, 214
ST-900-Q	258	TC4-NBLK1819	160, 214
ST-920-Q	258	TC4-NBLK1821	160, 214
ST-ARM250C-Q	262, 512	TC4-NBLK1823	160, 214
ST-ARM250T-Q	262, 512	TC4-NBLK1825	160, 214
ST-CP06CCFPM-Q	260	TC4-NBLK1913	162, 216
ST-CP08CCFPM-Q	260	TC4-NBLK1915	162, 216
ST-CP10CCFPM-Q	260	TC4-NBLK1917	162, 216
ST-CP14CCFPM-Q	260	TC4-NBLK1919	162, 216
ST-F8675-13-Q	258	TC4-NBLK1921	162, 216
ST-IFRB5350	280	TC4-NBLK1923	162, 216
ST-SBM-DT-Q	260	TC4-NBLK1925	162, 216
ST-SSAPT4-Q	118, 126	TC4-NBLK2013	162, 216
ST-SUS18-Q	258	TC4-NBLK2015	162, 216
ST-TWBLT-QL-L	182, 238	TC4-NBLK2017	162, 216
ST-TWBLT-QL-R	182, 238	TC4-NBLK2019	162, 216
ST-UHB2D33200-Q	260	TC4-NBLK2021	162, 216
ST-ULS4042000-Q	286	TC4-NBLK2023	162, 216
SWTMCRO1098	264, 514, 518, 520	TC4-NBLK2025	162, 216
SWTMCRO1099	264, 514, 518, 520	TC4-NBLK2113	162, 216

TC4-NBLK2115	162, 216
TC4-NBLK2117	162, 216
TC4-NBLK2119	162, 216
TC4-NBLK2121	162, 216
TC4-NBLK2123	162, 216
TC4-NBLK2125	162, 216
TC4-NBLK2213	162, 216
TC4-NBLK2215	162, 216
TC4-NBLK2217	162, 216
TC4-NBLK2219	162, 216
TC4-NBLK2221	162, 216
TC4-NBLK2223	162, 216
TC4-NBLK2225	162, 216
VELDBLS1001	110, 112, 114, 116, 338, 346, 356, 364, 372, 380, 388, 396, 398, 400, 402, 404, 408, 410, 412, 414, 420, 422, 424, 426, 428, 430, 432, 434, 436, 438, 440, 442
WASLOCK1094	104, 106
WASMETR1010	10, 12, 16, 18, 20, 22, 24, 28, 32, 34, 36, 40, 42, 44, 46, 48, 52, 56, 58, 60, 62, 64, 66, 68, 70, 72, 74, 116
WASMETR1031	104, 104, 106, 106, 108
WASMETR1083	110, 112, 114, 116, 120, 122, 124
WASSTND1097	2, 4, 6, 8, 10, 12, 16, 18, 20, 22, 24, 28, 32, 52, 56, 72, 74, 174, 176, 178

Illustrated Parts Breakdown

USA - Quantum Rehab

401 York Avenue
Duryea, Pa 18642
www.quantumrehab.com

USA - Pride Mobility Products Corp.

182 Susquehanna Avenue
Exeter, Pa 18643
www.pridemobility.com

Canada

5096 South Service Road
Beamsville, Ontario L0R 1B3
www.pridemobility.ca
www.quantumrehab.com

Australia

20-24 Apollo Drive
Hallam, Victoria 3803
www.pridemobility.com.au
www.quantumrehab.com.au

New Zealand

38 Lansford Crescent
Avondale, Auckland 0600
www.pridemobility.co.nz

UK

32 Wedgwood Road
Bicester, Oxfordshire OX26 4UL
www.pride-mobility.co.uk
www.quantumrehab.co.uk

Netherlands

(Authorised EU Representative)

De Zwaan 3
1601 MS Enkhuizen
www.pridemobility.eu
www.quantumrehab.eu

Italy

Via del Progresso, ang. Via del Lavoro
Loc. Prato della Corte
00065 Fiano Romano (RM)
www.pride-italia.it
www.quantumrehab-italia.it

France

26 Rue Monseigneur Ancel
69800 Saint-Priest
www.pridemobility.fr
www.quantumrehab.fr

Spain

Calle Las Minas Número 67
Polígono Industrial Urtinsa II, de Alcorcón
28923 Madrid

Germany

Hövelrieger Str. 28
33161 Hövelhof
www.pridemobility.de

China

Room 508, Building #4
TianNa Business Zone
No. 500 Jianyun Road
Pudong New Area
Shanghai 201318

