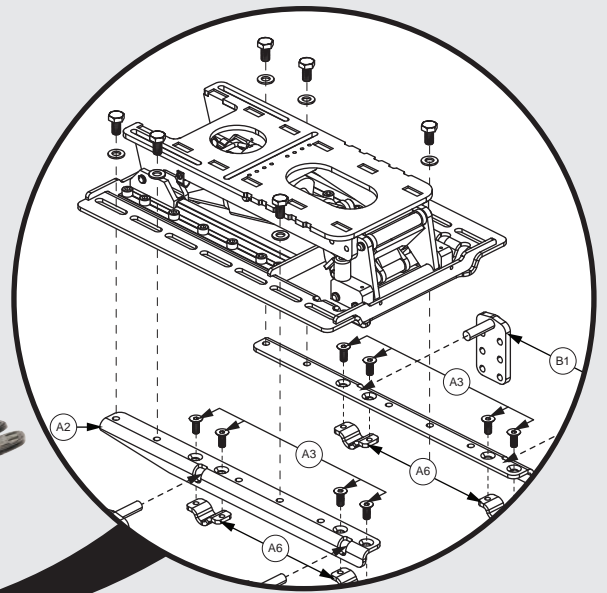


# TRU BALANCE<sup>3</sup>

**PRIDE**<sup>®</sup>  
MOBILITY  
LIVE YOUR BEST<sup>®</sup>



## Illustrated Parts Breakdown



# Illustrated Parts Breakdown

## **USA - Quantum Rehab**

401 York Avenue  
Duryea, Pa 18642  
[www.quantumrehab.com](http://www.quantumrehab.com)

## **USA - Pride Mobility Products Corp.**

182 Susquehanna Avenue  
Exeter, Pa 18643  
[www.pridemobility.com](http://www.pridemobility.com)

## **Canada**

5096 South Service Road  
Beamsville, Ontario L0R 1B3  
[www.pridemobility.ca](http://www.pridemobility.ca)  
[www.quantumrehab.com](http://www.quantumrehab.com)

## **Australia**

20-24 Apollo Drive  
Hallam, Victoria 3803  
[www.pridemobility.com.au](http://www.pridemobility.com.au)  
[www.quantumrehab.com.au](http://www.quantumrehab.com.au)

## **New Zealand**

38 Lansford Crescent  
Avondale, Auckland 0600  
[www.pridemobility.co.nz](http://www.pridemobility.co.nz)

## **UK**

32 Wedgwood Road  
Bicester, Oxfordshire OX26 4UL  
[www.pride-mobility.co.uk](http://www.pride-mobility.co.uk)  
[www.quantumrehab.co.uk](http://www.quantumrehab.co.uk)

## **Netherlands**

**(Authorised EU Representative)**

De Zwaan 3  
1601 MS Enkhuizen  
[www.pridemobility.eu](http://www.pridemobility.eu)  
[www.quantumrehab.eu](http://www.quantumrehab.eu)

## **Italy**

Via del Progresso, ang. Via del Lavoro  
Loc. Prato della Corte  
00065 Fiano Romano (RM)  
[www.pride-italia.it](http://www.pride-italia.it)  
[www.quantumrehab-italia.it](http://www.quantumrehab-italia.it)

## **France**

26 Rue Monseigneur Ancel  
69800 Saint-Priest  
[www.pridemobility.fr](http://www.pridemobility.fr)  
[www.quantumrehab.fr](http://www.quantumrehab.fr)

## **Spain**

Calle Las Minas Número 67  
Polígono Industrial Urtinsa II, de Alcorcón  
28923 Madrid

## **Germany**

Hövelrieger Str. 28  
33161 Hövelhof

## **China**

Room 508, Building #4  
TianNa Business Zone  
No. 500 Jianyun Road  
Pudong New Area  
Shanghai 201318



## 1. Seat Base Components

### 1.1. Seat Pans

Seat Pan Matrix, TB3	1
----------------------	---

### 1.2. Seat Only Static Base Components

#### Seat Only Base Components

Seat Only Complete Base Matrix, TB3	3
Seat Only Width Components, TB3	5
Seat Only Depth Components and Side Rails, TB3	7

#### WC-19 Occupied Transit, Seat Only

Seat Only Complete Base Matrix, Occupied Transit, TB3	9
---	---

#### Power Base Interface Assy's

Seat Only Interface Plate and Base Mounting Hardware, TB3	11
J6 Seat Only Interface Plate & Base Mounting Hardware, TB3	13
Q6 Edge 3 Stretto Seat Only Interface, TB3	15

### 1.3. Version 2 (TB3.5) Tilt Components

#### Tilt Assy and Components

Version 2 (TB3.5) Tilt Base Complete Matrix, TB3	17
Version 2 (TB3.5) Tilt Base Complete Matrix, J6	19
Version 2 (TB3.5) Tilt Width Components, TB3	21
Version 2 (TB3.5) Tilt Depth Components, TB3	23
Version 2 (TB3.5) Tilt Assembly, TB3	25

#### Tilt Assy and Components, WC-19 Occupied Transit

Version 2 (TB3.5) Tilt Base Complete Matrix, Occupied Transit, TB3	27
WC19 Version 2 (TB3.5) Tilt, Actuator, & Tower Brackets, TB3	29

#### Power Base Interface Assy's

Q6 Edge Series Tilt (TB3.5) Interface, TB3	31
Q6 Edge 3 Stretto Tilt (TB3.5) Interface, TB3	33
J6 Tilt (TB3.5) Interface, TB3	35
R44 (Rival) Tilt (TB3.5) Interface, TB3	37
4Front Tilt (TB3.5) Interface, TB3	39
WC19 Version 2 (TB3.5) Tilt, Actuator, & Tower Brackets, TB3	41

### 1.4. Version 1 Tilt Components

Version 1 Tilt Base Complete Matrix, TB3	43
--	----

#### Tilt Components, V1 Tilt

Version 1 Tilt Width Components, TB3	44
Version 1 Tilt Depth Components and Side Rails, TB3	47
Version 1 Tilt Actuator, TB3	49

#### Tilt Components, Occupied Transit, V1 Tilt

WC19 Transit Seat Base, V1 Tilt - 16"-20"W x 16"-20"D, TB3	51
Occupied Transit Tilt Only Base Frame with Actuator, TB3	53

#### Seat Towers Interface

Angle Adjustable Tower Interfaces, TB3	55
Fixed Tower Interfaces, TB3	57

### 1.5. Version 1 TB3 Scissor Lift Components

Lift Frame Assembly, TB3	59
--------------------------	----

Lift Only Interface Plate, TB3	61
Comps. for adding a Lift to a Tilt, "Wave Interface", TB3	63
Lift to Tilt Wave Interface, Matrix - Standard Riggings, TB3	65
Lift to Tilt Wave Interface Matrix - AFP, TB3	66

## 2. Power Base Interface Assy's

### 2.1. Seat Only

Seat Only Interface Plate and Base Mounting Hardware, TB3	68
J6 Seat Only Interface Plate & Base Mounting Hardware, TB3	71
Q6 Edge 3 Stretto Seat Only Interface, TB3	73

### 2.2. TB 3.5 Tilt

Q6 Edge Series Tilt (TB3.5) Interface, TB3	75
Q6 Edge 3 Stretto Tilt (TB3.5) Interface, TB3	77
J6 Tilt (TB3.5) Interface, TB3	79
R44 (Rival) Tilt (TB3.5) Interface, TB3	81
4Front Tilt (TB3.5) Interface, TB3	83
WC19 Version 2 (TB3.5) Tilt, Actuator, & Tower Brackets, TB3	85

### 2.3. Version 1 Tilt / Lift

Angle Adjustable Tower Interfaces, TB3	87
Fixed Tower Interfaces, TB3	89

### 2.4. Version 1 TB3 Scissor Lift Components

Lift Only Interface Plate, TB3	91
Comps. for adding a Lift to a Tilt, "Wave Interface", TB3	93
Lift to Tilt Wave Interface, Matrix - Standard Riggings, TB3	95
Lift to Tilt Wave Interface Matrix - AFP, TB3	96

## 3. Seat Back Assy's

### 3.1. Seat Backs

#### Static Backs

Static Back Assy, TB3	98
Static Back Assy, for TB3.5 (V2) Tilt Seat	101

#### Flip Forward Backs

Static Back Assy, Flip Forward, TB3	103
Static Back Assy, Flip Forward, for TB3.5 (V2) Tilt Seat	105

#### Manual Recline Backs

Manual Recline Back Assy, TB3	107
Manual Recline Back Assy, for TB3.5 (V2) Tilt Seat	109

#### Power Recline Backs

Power Recline Back Assy, TB3	111
Power Recline Back Assy, for TB3.5 (V2) Tilt Seat	113

### 3.2. Occupied Transit Seat Backs

#### Static Backs

Static Back, Seat Only TB3, Occupied Transit	115
Static Back, V2 (TB3.5) Tilt TB3, Occupied Transit	117
Static Back, Version 1 Tilt TB3, Occupied Transit	119

#### Power Recline Backs

Power Recline Back, V2(TB3.5) Tilt TB3, Occupied Transit	121
Power Recline Back, Version 1 Tilt TB3, Occupied Transit	123

Aftermarket Back Interface, TB3	125
Accessory Bar, TB3	127
Stealth Simple Solutions Aftermarket Back Adapter Plate	129

#### 4. Seat Back Assy's - TB3 Redesigned Back

##### 4.1. Static Backs

Static Back Assy, TB3.5 Tilt, TB3 Redesigned Back	131
Static Back Assy, REAC Lift, TB3 Redesigned Back	133
Static Back Assy, Static Base, TB3 Redesigned Back	135

##### 4.2. Flip Forward Backs

Flip Forward Back Assy, TB3.5 Tilt, TB3 Redesigned Back	137
Flip Forward Back Assy, REAC Lift, TB3 Redesigned Back	139
Flip Forward Back Assy, Static Base, TB3 Redesigned Back	141

##### 4.3. Power Recline Backs

Recline Back Assy, TB3.5 Tilt, TB3 Redesigned Back	143
Recline Back Assy, REAC Lift, TB3 Redesigned Back	145
Recline Back Assy, Static Base, TB3 Redesigned Back	147

##### 4.4. Electronics Cover Shrouds

Painted E-Box Shrouds, TB3 Redesigned Back	149
Carrier Shroud Assy, TB3 Redesigned Back	151
Accessory Bar, TB3 Redesigned Back	153

#### 5. Back Pans & Back Cushions

##### 5.1. Back Pans w/ Cushions - Sport & TRU-Comfort 2

TB3 Sport Back/Sport Back 4 Complete Back Pan & Cushion Assy's, 12"-22"W	155
TB3 Sport Back/Sport Back 4 Complete Back Pan & Cushion Assy's, 24"-32"W	159
TB3 TRU-Comfort 2/4 Complete Back Pan & Cushion Assy's, 12"-22"W	161
TB3 TRU-Comfort 2/4 Complete Back Pan & Cushion Assy's, 24"-28"W	163
TRU Comfort 2 Complete Back w/Mesh Cushion, TB3	165

##### 5.2. Back Cushion - Sport & TRU-Comfort 2

TRU Comfort 2 4 Way Stretch Cushions, 12"-19"W, TB3	166
TRU Comfort 2 4 Way Stretch Cushions, 20"-28"W, TB3	169
Sport Back Cushions - 12"-20"W, TB3	171
Sport Back Cushions - 21"-32"W, TB3	173
TRU Comfort 2 Mesh Cushions	175

##### 5.2.1. TRU-Comfort 4 Back Cushions

TRU-Comfort 4 Back Cushions, 14"-18"W	176
TRU-Comfort 4 Back Cushions, 19"-22"W	179
TRU-Comfort 4 Back Cushions, 24"-28"W	181
TRU-Comfort 4 Back Cushion Covers, 14"-18"W	183
TRU-Comfort 4 Back Cushion Covers, 19"-22"W	185

##### 5.2.2. Sport Back 4 Cushions

Sport Back 4 Cushions, 14"-18"W	187
Sport Back 4 Cushions, 19"-22"W	189
Sport Back 4 Cushions, 24"-28"W	191
Sport Back 4 Cushion Covers, 14"-18"W	193
Sport Back 4 Cushion Covers, 19"-22"W	195

##### 5.3. Back Pans - Sport & TRU-Comfort 2

Back Pan, 10"-14"W, No Cushion, TB3	197
Back Pan, 16"-20"W, No Cushion, TB3	199
Back Pan, 20"-24"W, No Cushion, TB3	201

Back Pan, 24"-28"W, No Cushion, TB3	203
Back Pan, 28"-32"W, No Cushion, TB3	205
TB3 Back Cushion Securement Brackets	207
<b>5.4. Bolsters &amp; Supports - TRU-Comfort 2 Back</b>	
TRU-Comfort 2 Bolsters and Supports, TB3	209
<b>5.5. Back Privacy Flaps</b>	
Privacy Flaps, TB3	211
<b>6. Back Pans &amp; Back Cushions - TB3 Redesigned Back</b>	
<b>6.1. Complete Sport Back 4 Assy's</b>	
14"-16"W Sport Back 4 Complete Assy's, TB3 Redesigned Back	213
16"-20"W Sport Back 4 Complete Assy's, TB3 Redesigned Back	215
18"-22"W Sport Back 4 Complete Assy's, TB3 Redesigned Back	217
TB3 Back Cushion Securement Brackets	219
<b>6.2. Sport Back 4 Cushions</b>	
Sport Back 4 Cushions, 14"-18"W	221
Sport Back 4 Cushions, 19"-22"W	223
Sport Back 4 Cushion Covers, 14"-18"W	225
Sport Back 4 Cushion Covers, 19"-22"W	227
<b>6.3. TRU-Comfort 4 Back Cushions</b>	
TRU-Comfort 4 Back Cushions, 14"-18"W	229
TRU-Comfort 4 Back Cushions, 19"-22"W	231
TRU-Comfort 4 Back Cushion Covers, 14"-18"W	233
TRU-Comfort 4 Back Cushion Covers, 19"-22"W	235
<b>6.4. Back Pan Assy's</b>	
14"-16"W Back Pans, TB3 Redesigned Back	237
16"-20"W Back Pans, TB3 Redesigned Back	239
18"-22"W Back Pans, TB3 Redesigned Back	241
TB3 Back Cushion Securement Brackets	243
Lateral Side Cover Inserts, TB3 Redesigned Back	245
<b>6.5. Back Height Extensions</b>	
TB3 Redesigned Back, Back Height Extension, 14"-16"W	247
TB3 Redesigned Back, Back Height Extension, 16"-20"W	249
TB3 Redesigned Back, Back Height Extension, 18"-22"W	251
<b>6.6. Seat Back Serviceable Components</b>	
Lateral Side Cover Inserts, TB3 Redesigned Back	253
Lateral Side Covers, TB3 Redesigned Back	255
TB3 Back Cushion Securement Brackets	257
<b>7. Stealth Backs</b>	
Stealth ADI Seat Backs, Cane Mounted	259
Stealth Contoured Q-Backs, TB3	261
Stealth ADI Q-Back 2 Contoured Seat Backs	263
<b>8. Back Cane &amp; Back Cane Mounted Components</b>	
Back Canes, TB3	265
Back Cane Rigidizing Bars, TB3	267
Angle Adjustable & Flip-forward Back Cane Brackets, TB3	269
ENDO Back Cane Brackets, TB3	271
Back/E-Box Bracket for Back Cane Units w/o a Back, TB3	273
Back Cane Accessory Bars, Synergy Style Canes	275
Back Cane Electronics Mount & Static Seat Cosmetic Cover, TB3	277

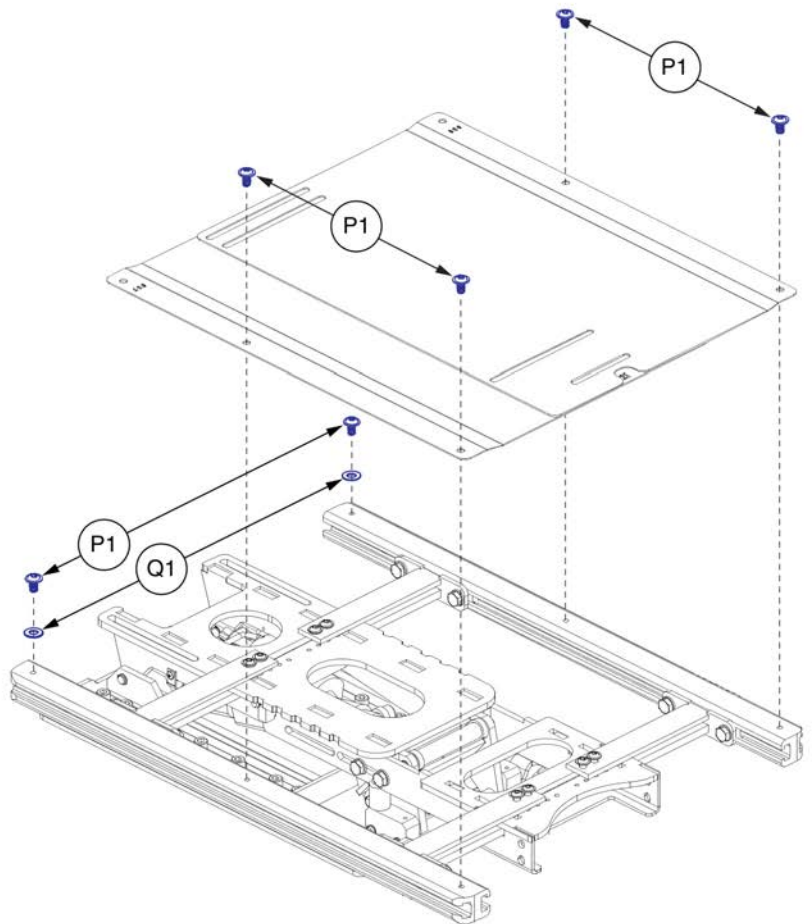
Back Plate Mounting Hardware, TC2 & Sport Backs w/ Back Canes	279
Accessory Bar, TB3	281
Accessory Bar, TB3 Redesigned Back	283
<b>9. Headrest Assy's, Mounts, &amp; Pads</b>	
STEALTH Headrest Brackets and Pads	285
STEALTH Comfort Plus Unilink Headrest Mount & Pads	287
<b>10. TB3.5 Tilt Base Rail Covers</b>	
TB3.5 Tilt Painted Base Rail Covers	289
<b>11. Electronics Cover Shrouds</b>	
Electronics Boxes - Original Quantum Colors,Pre 6/1/15, TB3	291
Electronics Boxes - New Quantum Colors, 6/1/15, TB3	293
<b>12. Electronics Cover Shrouds - TB3 Redesigned Back</b>	
Painted E-Box Shrouds, TB3 Redesigned Back	295
Carrier Shroud Assy, TB3 Redesigned Back	297
<b>13. Thoracic Lateral Mounts</b>	
STEALTH 125° Thoracic Laterals & Lateral Mounting Tracks, TB3	299
STEALTH Unilink Thoracic Laterals, TB3 Redesigned Back	301
<b>14. Lap Belts</b>	
Lap Belts, TB3	303
Occupied Transit Lap Belt Mount, TB3	305
<b>15. Joystick Receivers</b>	
Joystick Receiver Mounts, Quantum	307
<b>16. Seat Mounted Transit Loops</b>	
Unoccupied Transit Loops, J6 w/ TB3 Seating	309
<b>17. Owner's Packages</b>	
Owner's Package, TB3	311
Owner's Package - Occupied Transit, TB3	313
Occupied Transit Documentation, TB3	315
<b>18. Decal Packages</b>	
Decal Package - HD Tilt, TB3	317
Decal Package - Lift Seating, TB3	319
Decal Package - Tilt Only / Tilt and Recline, TB3	321
Decal Package - Seat Only/Recline Only, TB3	323
Decal Package - 4Front w/200lb Weight Capacity, TB3	325
<b>19. Quantum Color Reference Chart</b>	
Quantum Color Reference Chart	327
Appendix A:Pages Index	328
Appendix B:Parts Index	330

1.1. Seat Pans

TB3 Seat Pan Assemblies

Size	Ref #	Assy Part #
12-16"W x 12-16"D	A1	SET123998
12-16"W x 16-20"D	B1	SET123999
16-20"W x 12-16"D	C1	SET124000
16-20"W x 16-20"D	D1	SET124001
16-20"W x 20-24"D	E1	SET124002
20-24"W x 12-16"D	F1	SET124004
20-24"W x 16-20"D	G1	SET124005
20-24"W x 20-24"D	H1	SET124006
20-24"W x 24-28"D	I1	SET124008
24-28"W x 16-20"D	J1	SET124009
24-28"W x 20-24"D	K1	SET124010
24-28"W x 24-28"D	L1	SET124011
28-32"W x 16-20"D	M1	SET124012
28-32"W x 20-24"D	N1	SET124013
28-32"W x 24-28"D	O1	SET124015

The Seat Pan assemblies contain the right and left pans and the mounting screws. They are utilized on all of the Base assemblies.





# Seat Pan Matrix, TB3



Item	Part No.	Name	Qty
A1	SET123998	SEAT PAN,12"W-16"W,12"D-16"D,TRU-BALANCE 3,PAIR	1
B1	SET123999	SEAT PAN,12"W-16"W,16"D-20"D,TRU-BALANCE 3,PAIR	1
C1	SET124000	SEAT PAN,16"W-20"W,12"D-16"D,TRU-BALANCE 3,PAIR	1
D1	SET124001	SEAT PAN,16"W-20"W,16"D-20"D,TRU-BALANCE 3,PAIR	1
E1	SET124002	SEAT PAN,16"W-20"W,20"D-24"D,TRU-BALANCE 3,PAIR	1
F1	SET124004	SEAT PAN,20"W-24"W,12"D-16"D,TRU-BALANCE 3,PAIR	1
G1	SET124005	SEAT PAN,20"W-24"W,16"D-20"D,TRU-BALANCE 3,PAIR	1
H1	SET124006	SEAT PAN,20"W-24"W,20"D-24"D,TRU-BALANCE 3,PAIR	1
I1	SET124008	SEAT PAN,20"W-24"W,24"D-28"D,TRU-BALANCE 3,PAIR	1
J1	SET124009	SEAT PAN,24"W-28"W,16"D-20"D,TRU-BALANCE 3,PAIR	1
K1	SET124010	SEAT PAN,24"W-28"W,20"D-24"D,TRU-BALANCE 3,PAIR	1
L1	SET124011	SEAT PAN,24"W-28"W,24"D-28"D,TRU-BALANCE 3,PAIR	1
M1	SET124012	SEAT PAN,28"W-32"W,16"D-20"D,TRU-BALANCE 3,PAIR	1
N1	SET124013	SEAT PAN,28"W-32"W,20"D-24"D,TRU-BALANCE 3,PAIR	1
O1	SET124015	SEAT PAN,28"W-32"W,24"D-28"D,TRU-BALANCE 3,PAIR	1
P1	HDW121242	SCREW, BUTTON HEAD, FLANGED, M6X1.0 X 8, ISO 7380-2, CL 10.9, BZ, PVTP	6
Q1	WASSTND1097	WASHER, FLAT, 6.4 ID X 12 OD X 1.6 THK, ISO 7089-6-200 HV, BZ	2

Seat Only Base Components

TB3 Seat Only Complete Base Assemblies		
A1	SET130931	12"-16"W x 12"-16"D
B1	SET130932	12"-16"W x 16"-20"D
C1	SET130933	16"-20"W x 12"-16"D
D1	SET130934	16"-20"W x 16"-20"D
E1	SET130935	16"-20"W x 20"-24"D
F1	SET130937	20"-24"W x 12"-16"D
G1	SET130938	20"-24"W x 16"-20"D
H1	SET130939	20"-24"W x 20"-24"D
I1	SET130940	20"-24"W x 24"-28"D
J1	SET130941	24"-28"W x 16"-20"D
K1	SET130943	24"-28"W x 20"-24"D
L1	SET130944	24"-28"W x 24"-28"D
M1	SET130945	28"-32"W x 16"-20"D
N1	SET130946	28"-32"W x 20"-24"D
O1	SET130947	28"-32"W x 24"-28"D

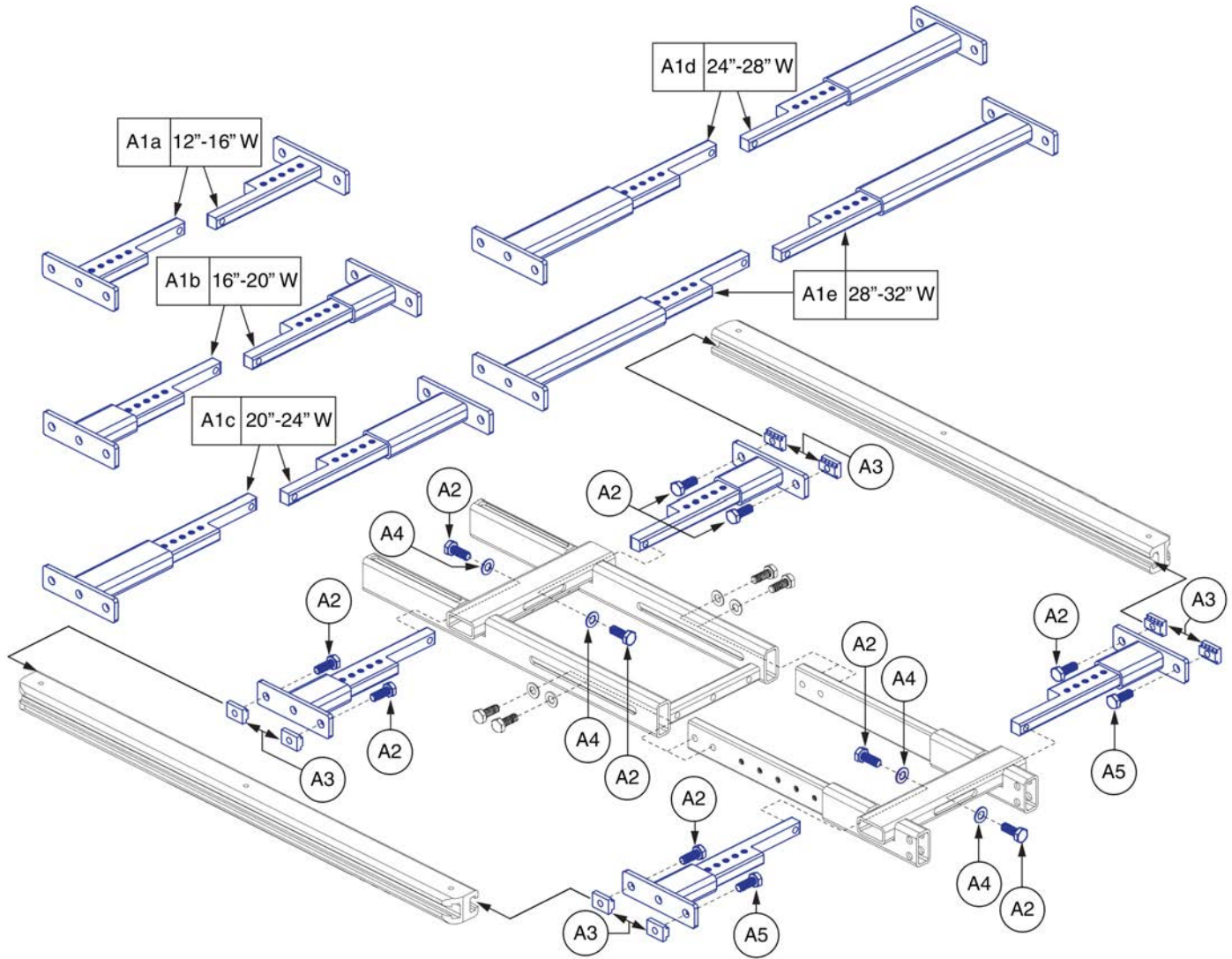
The complete base assemblies include the seat pans, side rails, and width and depth components for the various configurations. They do not include the seat interface assemblies.

# Seat Only Complete Base Matrix, TB3



Item	Part No.	Name	Qty
A1	SET130931	SEAT BASE,ASSY,12"W-16"W,12"D-16"D,SEAT ONLY,TB3	1
B1	SET130932	SEAT BASE,ASSY,12"W-16"W,16"D-20"D,SEAT ONLY,TB3	1
C1	SET130933	SEAT BASE,ASSY,16"W-20"W,12"D-16"D,SEAT ONLY,TB3	1
D1	SET130934	SEAT BASE,ASSY,16"W-20"W,16"D-20"D,SEAT ONLY,TB3	1
E1	SET130935	SEAT BASE,ASSY,16"W-20"W,20"D-24"D,SEAT ONLY,TB3	1
F1	SET130937	SEAT BASE,ASSY,20"W-24"W,12"D-16"D,SEAT ONLY,TB3	1
G1	SET130938	SEAT BASE,ASSY,20"W-24"W,16"D-20"D,SEAT ONLY,TB3	1
H1	SET130939	SEAT BASE,ASSY,20"W-24"W,20"D-24"D,SEAT ONLY,TB3	1
I1	SET130940	SEAT BASE,ASSY,20"W-24"W,24"D-28"D,SEAT ONLY,TB3	1
J1	SET130941	SEAT BASE,ASSY,24"W-28"W,16"D-20"D,SEAT ONLY,TB3	1
K1	SET130943	SEAT BASE,ASSY,24"W-28"W,20"D-24"D,SEAT ONLY,TB3	1
L1	SET130944	SEAT BASE,ASSY,24"W-28"W,24"D-28"D,SEAT ONLY,TB3	1
M1	SET130945	SEAT BASE,ASSY,28"W-32"W,16"D-20"D,SEAT ONLY,TB3	1
N1	SET130946	SEAT BASE,ASSY,28"W-32"W,20"D-24"D,SEAT ONLY,TB3	1
O1	SET130947	SEAT BASE,ASSY,28"W-32"W,24"D-28"D,SEAT ONLY,TB3	1

Seat Only Base Components

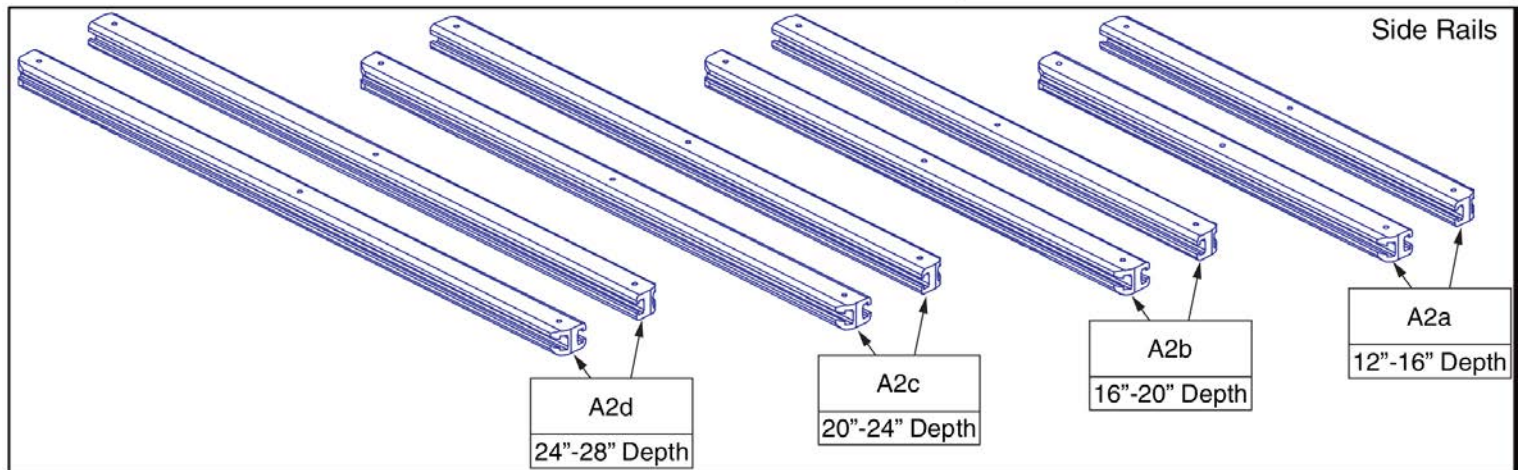
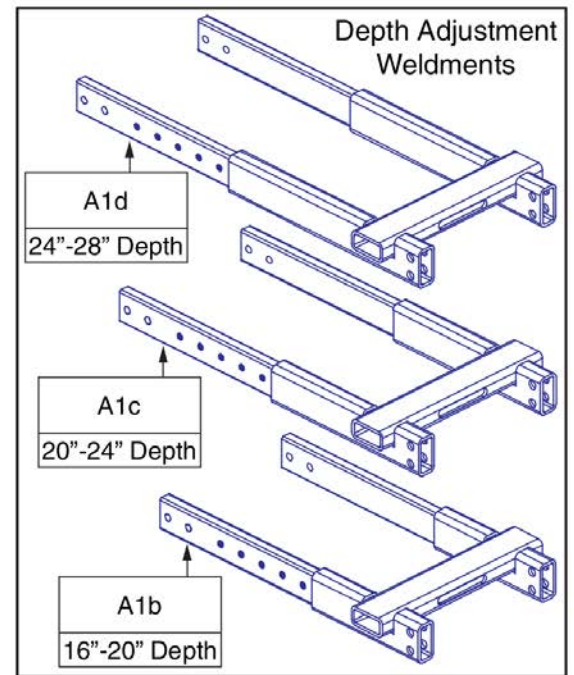
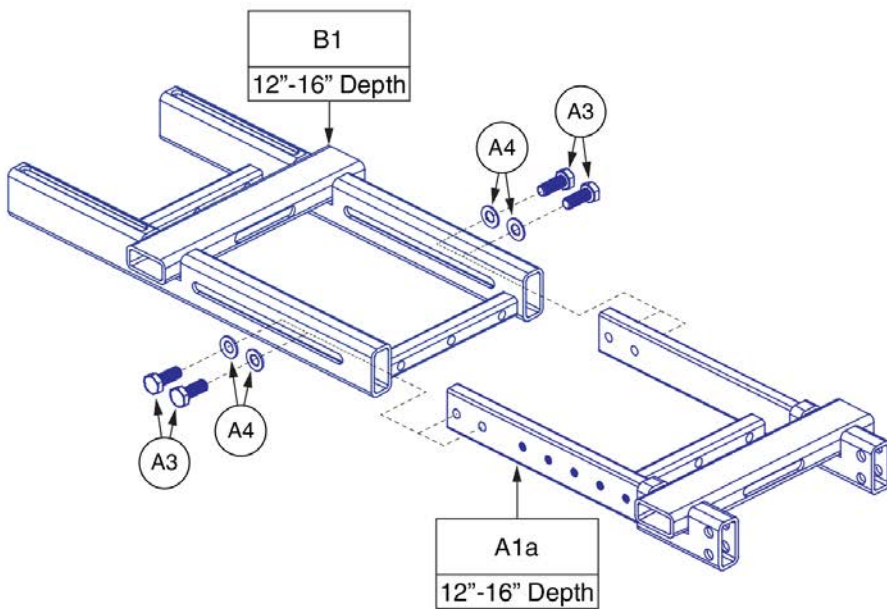
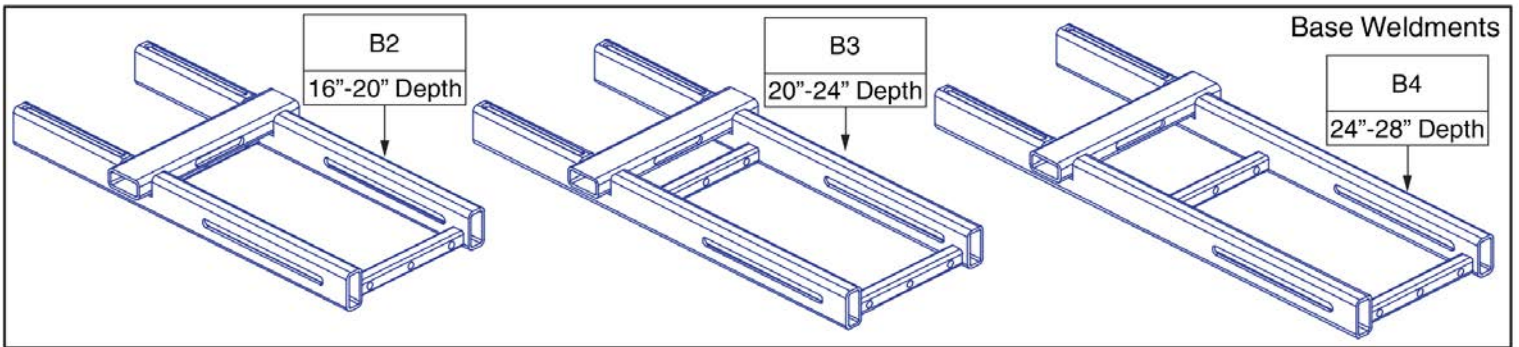


## Seat Only Width Components, TB3



Item	Part No.	Name	Qty
A1a - A5	SET123993	FRAME,ASSY,12"W-16"W,WIDTH ADJUSTMENT,TRU-BALANCE 3	1
A1a	MEC123467	FRAME,WIDTH ADJUSTMENT WELDMENT,12"W-16"W,TB3	4
A1b - A5	SET123994	FRAME,ASSY,16"W-20"W,WIDTH ADJUSTMENT,TRU-BALANCE 3	1
A1b	MEC123468	FRAME,WIDTH ADJUSTMENT WELDMENT,16"W-20"W,TB3	4
A1c - A5	SET123995	FRAME,ASSY,20"W-24"W,WIDTH ADJUSTMENT,TRU-BALANCE 3	1
A1c	MEC123469	FRAME,WIDTH ADJUSTMENT WELDMENT,20"W-24"W,TB3	4
A1d - A5	SET123996	FRAME,ASSY,24"W-28"W,WIDTH ADJUSTMENT,TRU-BALANCE 3	1
A1d	MEC123472	FRAME,WIDTH ADJUSTMENT WELDMENT,24"W-28"W,TB3	4
A1e - A5	SET123997	FRAME,ASSY,28"W-32"W,WIDTH ADJUSTMENT,TRU-BALANCE 3	1
A1e	MEC123473	FRAME,WIDTH ADJUSTMENT WELDMENT,28"W-32"W,TB3	4
A2	SCRHHCS1412	SCREW, HEX HEAD, M8X1.25 X 16, ISO 4014, CL 10.9, BZ, PVTP	10
A3	NUT8120005	NUT,T-SLOT,BLACK,M8-1.25	8
A4	WASMETR1010	WASHER,FLAT,BLACK ZINC,8.4MM ID X 16MM OD X 1.6MM THK,ISO 7089	4
A5	SCRHHCS1727	SCREW,HHCS,BLACK ZINC,M8-1.25 X 20MM,GRADE 10.9,W/NYLON PATCH,C-1005-098	2

Seat Only Base Components



# Seat Only Depth Components and Side Rails, TB3



Item	Part No.	Name	Qty
A1a - A4	SET123989	FRAME,ASSY,12"D-16"D,DEPTH ADJUSTMENT,SEAT ONLY,TB3	1
A1a	MEC123483	FRAME,DEPTH ADJUSTMENT WELDMENT,12"D-16"D SEAT OR 14"D-16"D TILT,TRU-BALANCE 3	1
A2a	SET123690	SEAT FRAME,SIDE RAIL,12"D-16"D,TRU-BALANCE 3 TILT,TRU-BALANCE 3	2
A1b - A4	SET123990	FRAME,ASSY,16"D-20"D,DEPTH ADJUSTMENT,SEAT ONLY,TB3	1
A1b	MEC124694	FRAME,DEPTH ADJUSTMENT WELDMENT,16"D-20"D SEAT & TILT,TRU-BALANCE 3	1
A2b	SET123691	SEAT FRAME,SIDE RAIL,16"D-20"D,TRU-BALANCE 3	2
A1c - A4	SET123991	FRAME,ASSY,20"D-24"D,DEPTH ADJUSTMENT,SEAT ONLY,TB3	1
A1c	MEC123484	FRAME,DEPTH ADJUSTMENT WELDMENT,20"D-24"D SEAT ONLY,TRU-BALANCE 3	1
A2c	SET123692	SEAT FRAME,SIDE RAIL,20"D-24"D,TRU-BALANCE 3	2
A1d - A4	SET123992	FRAME,ASSY,24"D-28"D,DEPTH ADJUSTMENT,SEAT ONLY,TB3	1
A1d	MEC123485	FRAME,DEPTH ADJUSTMENT WELDMENT,24"D-28"D SEAT OR 20"D-24"D TILT,TRU-BALANCE 3	1
A2d	SET123693	SEAT FRAME,SIDE RAIL,24"D-28"D,TRU-BALANCE 3	2
A4	WASMETR1010	WASHER,FLAT,BLACK ZINC,8.4MM ID X 16MM OD X 1.6MM THK,ISO 7089	4
A3	SCRHHCS1412	SCREW, HEX HEAD, M8X1.25 X 16, ISO 4014, CL 10.9, BZ, PVTP	4
B1	MEC123507	FRAME,BASE WELDMENT,12"D-16"D,SEAT ONLY,TRU-BALANCE 3	1
B2	MEC123508	FRAME,BASE WELDMENT,16"D-20"D,SEAT ONLY,TRU-BALANCE 3	1
B3	MEC123509	FRAME,BASE WELDMENT,20"D-24"D,SEAT ONLY,TRU-BALANCE 3	1
B4	MEC123511	FRAME,BASE WELDMENT,24"D-28"D,SEAT ONLY,TRU-BALANCE 3	1

WC-19 Occupied Transit, Seat Only

TB3 Seat Only Complete Base Assemblies Occupied Transit (Notes 1, 2, & 3)		
A1	SET1805277	12"-16"W x 12"-16"D
B1	SET1805278	12"-16"W x 16"-20"D
C1	SET1805279	16"-20"W x 12"-16"D
D1	SET155576	16"-20"W x 16"-20"D
E1	SET1805280	16"-20"W x 20"-24"D
F1	SET1805281	20"-24"W x 12"-16"D
G1	SET1805282	20"-24"W x 16"-20"D
H1	SET1805283	20"-24"W x 20"-24"D

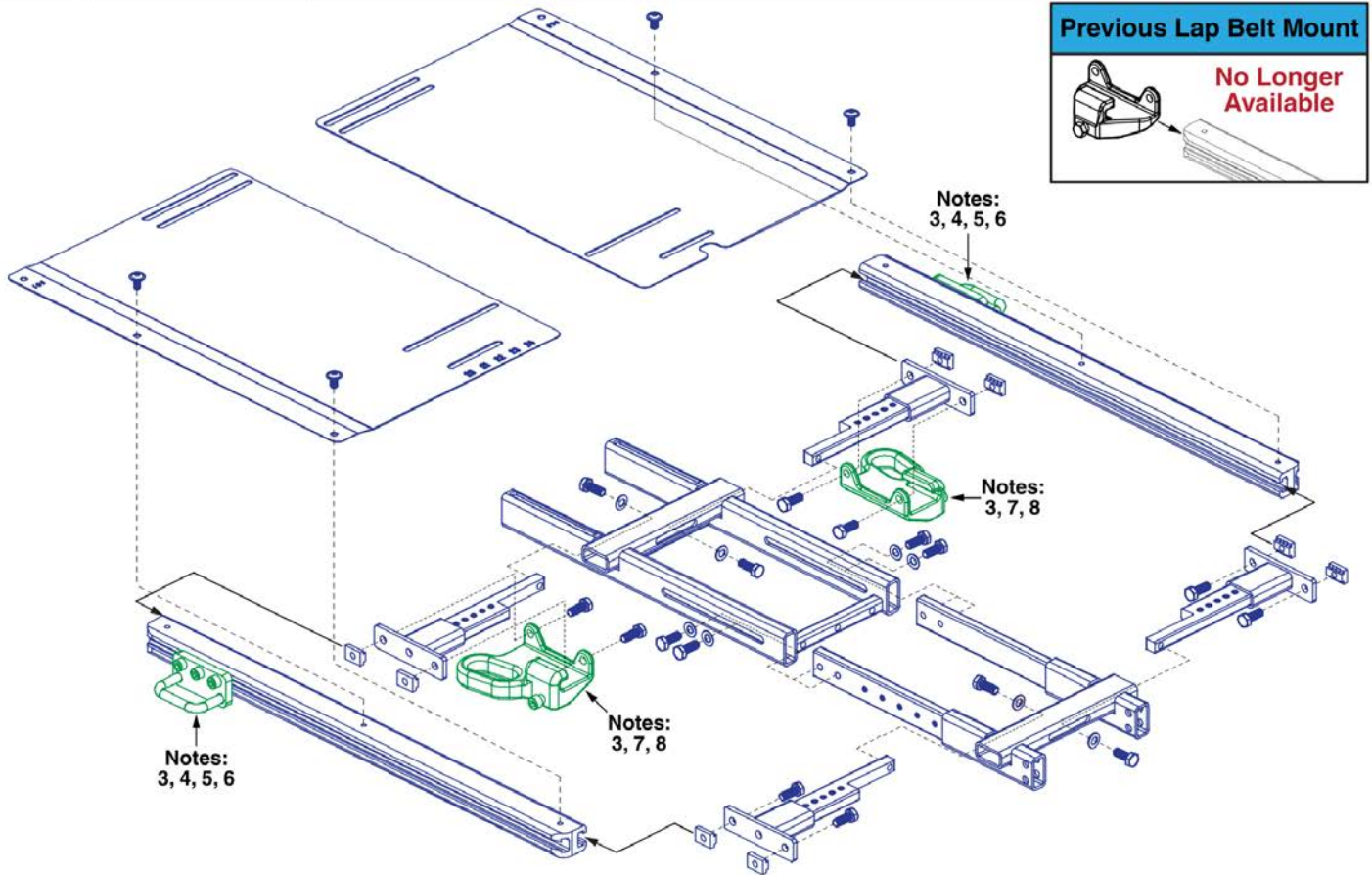
**Notes:**

**Complete Seat Assemblies**

- For proper assembly, the Complete Occupied Transit Base should only be ordered through Technical Service.
- Individual components are not serviceable. The complete assembly must be selected.
- The Lap Belt (I1) and Transit Loops (J1 / K1) are **NOT** included with the Complete Seat Assemblies and **MUST** be selected separately. See notes 4 thru 8 for transit loop selection.

**Transit Loops / Lap Belt Mount**

- Only for use on units equipped with Back Canes.
- The Lap Belt will attach directly to the Back Cane Bracket. See the Back Cane Bracket page for selection.
- The left side mounting mirrors the right side. A quantity of 2 must be selected for the pair.
- Only for use on units equipped with Static or Power Recline backs.
- Does not include the screws or t-nuts that mount the bracket to the side rail. The Complete Seat Assembly must be selected.



**Previous Lap Belt Mount**

**No Longer Available**

**Lap Belt**

Note: 3

I1

**Transit Loop for Back Canes**

J1 **Left/Right**

Notes: 3, 4, 5, 6

Back Cane Bracket

Lap Belt Securement

**Lap Belt Mount w/ Transit Loop**

K1 **Pair**

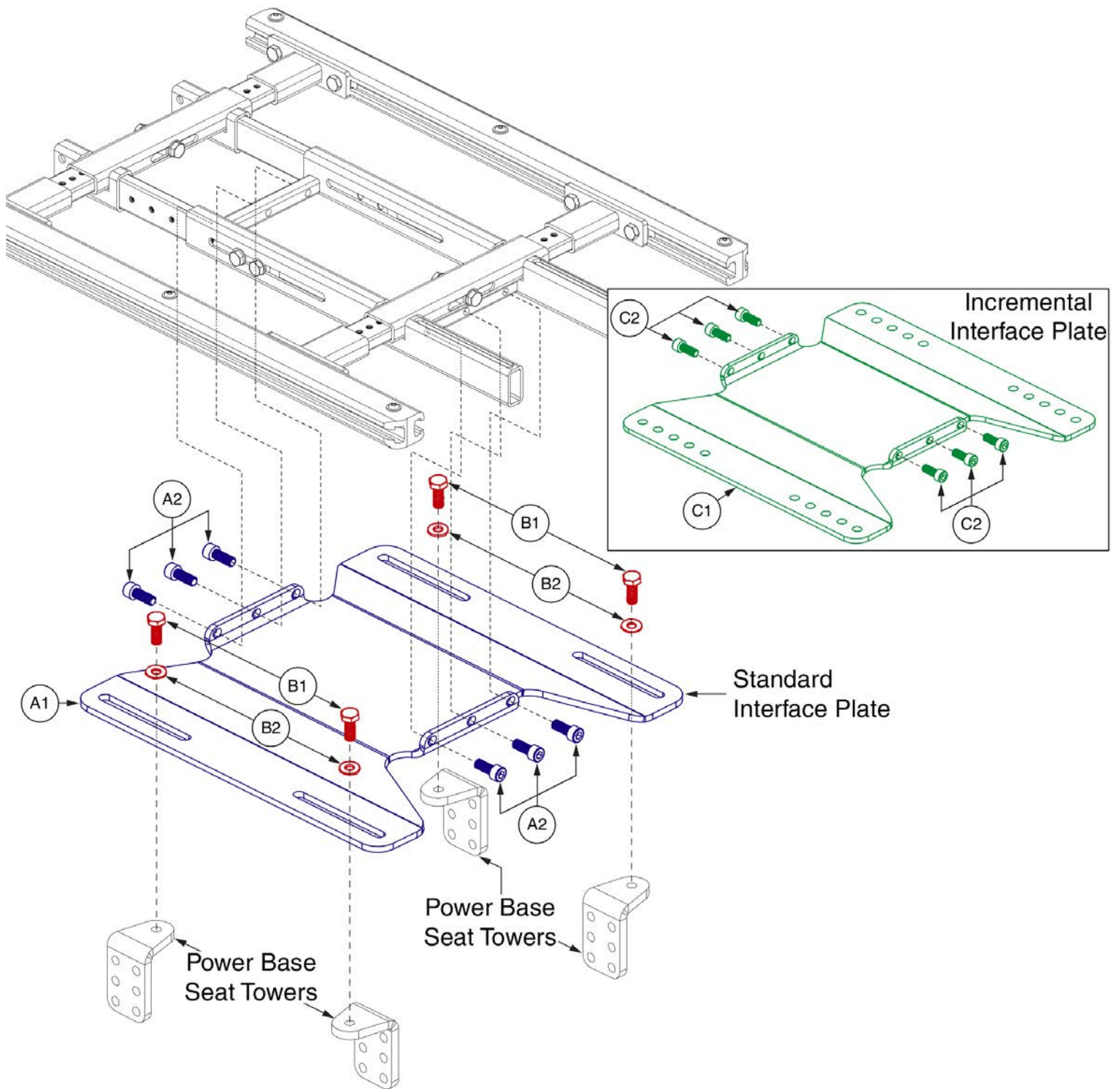
Notes: 3, 7, 8

Lap Belt Securement



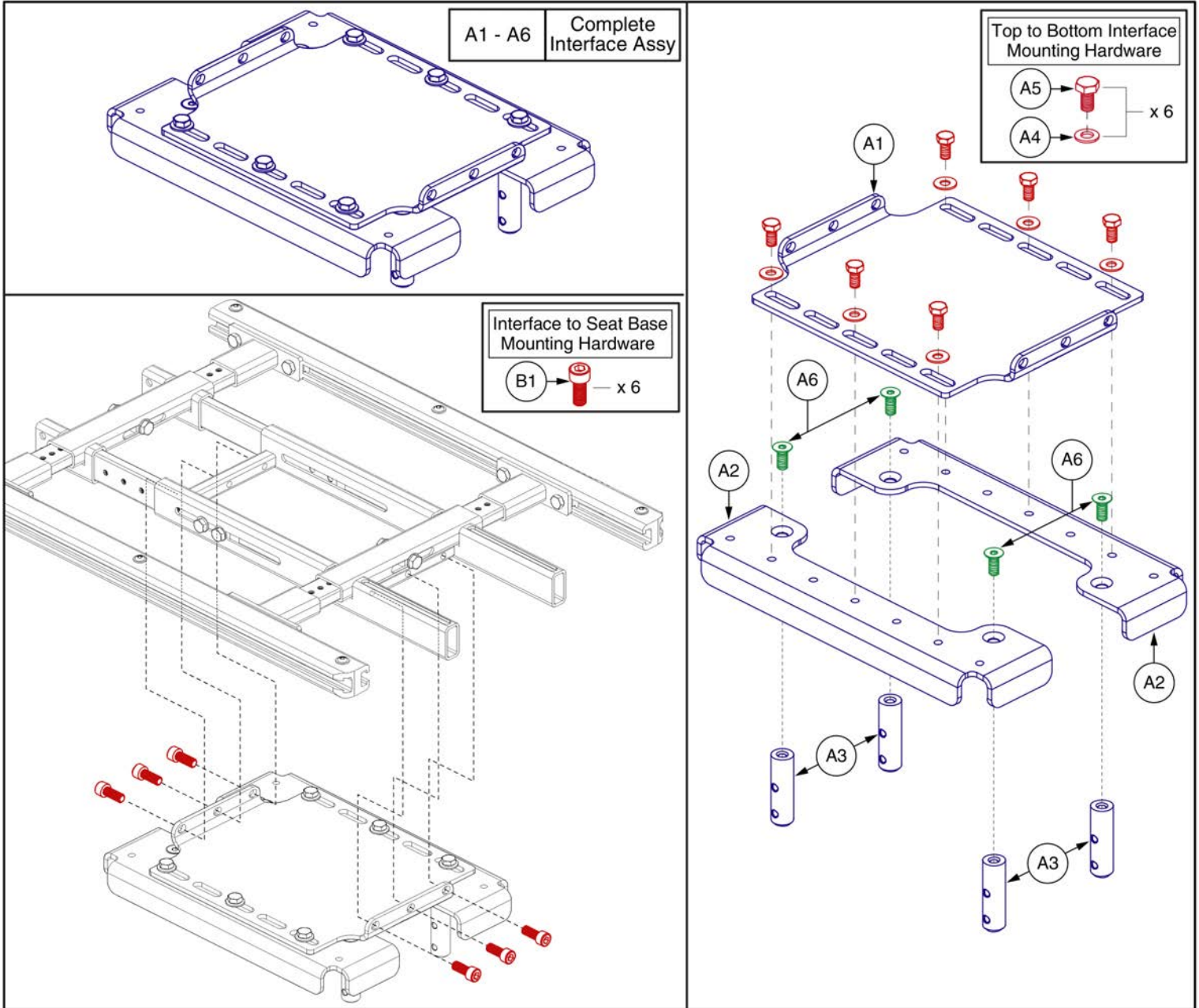
Item	Part No.	Name	Qty
A1	SET1805277	SEAT BASE,ASSY,12"W-16"W,12"D-16"D,SEAT ONLY,OCCUPIED TRANSIT,TRU-BALANCE 3,WC19	1
B1	SET1805278	SEAT BASE,ASSY,12"W-16"W,16"D-20"D,SEAT ONLY,OCCUPIED TRANSIT,TRU-BALANCE 3,WC19	1
C1	SET1805279	SEAT BASE,ASSY,16"W-20"W,12"D-16"D,SEAT ONLY,OCCUPIED TRANSIT,TRU-BALANCE 3,WC19	1
D1	SET155576	SEAT BASE,ASSY,16"W-20"W,16"D-20"D,SEAT ONLY,OCCUPIED TRANSIT,TRU-BALANCE 3,WC19	1
E1	SET1805280	SEAT BASE,ASSY,16"W-20"W,20"D-24"D,SEAT ONLY,OCCUPIED TRANSIT,TRU-BALANCE 3,WC19	1
F1	SET1805281	SEAT BASE,ASSY,20"W-24"W,12"D-16"D,SEAT ONLY,OCCUPIED TRANSIT,TRU-BALANCE 3,WC19	1
G1	SET1805282	SEAT BASE,ASSY,20"W-24"W,16"D-20"D,SEAT ONLY,OCCUPIED TRANSIT,TRU-BALANCE 3,WC19	1
H1	SET1805283	SEAT BASE,ASSY,20"W-24"W,20"D-24"D,SEAT ONLY,OCCUPIED TRANSIT,TRU-BALANCE 3,WC19	1
I1	ACCBELT1016	LAP BELT,60",NON-RETRACTABLE,(SURE-LOK: FE201070)	1
J1	MEC145375	MOUNTING BRACKET,ASSY,OCCUPIED TRANSIT SECUREMENT LOOP W/DECALS	1
K1	MEC1909905	LAP BELT MOUNT,ASSY,OCCUPIED TRANSIT SECUREMENT LOOP W/DECALS	1

**Power Base Interface Assy's**



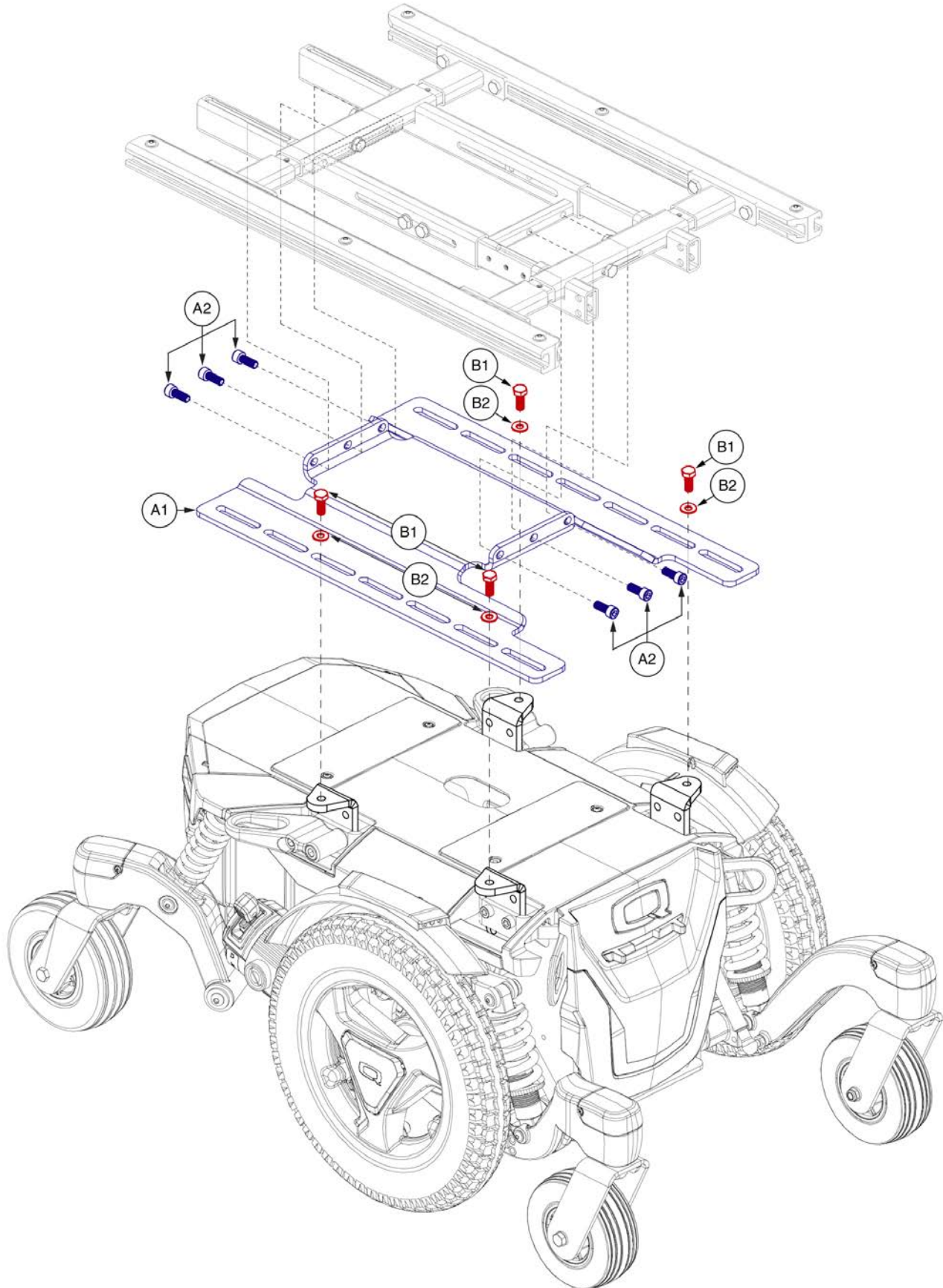
Item	Part No.	Name	Qty
A1 - A2	SET130989	SEAT PLATE,ASSY,SEAT ONLY,TRU-BALANCE 3	1
A1	SET123665	FRAME,BASE INTERFACE,SEAT ONLY,TRU-BALANCE 3	1
A2	HDW125250	SCREW, SOCKET HEAD, M8X1.25 X 20, ISO 4762, CL 12.9, BZ, PVTP	6
B1 - B2	HDW136696	HARDWARE,ASSY,FIXED,SEAT ONLY,TRU-BALANCE 3	2
B1	HDW120048	SCREW,HHCS,BLACK ZINC,M10-1.5 X 20MM,GR 10.9,W/PATCH	2
B2	WASMETR1031	WASHER,FLAT,10.5 ID X 20 OD X 2 THK,BZ	2
C1 - C2	SET142535	SEAT PLATE,ASSY,SEAT ONLY,ISO,TRU-BALANCE 3	1
C1	MEC140969	TB3 INCREMENTAL SEAT ONLY INTERFACE	1
C2	HDW125250	SCREW, SOCKET HEAD, M8X1.25 X 20, ISO 4762, CL 12.9, BZ, PVTP	6

Power Base Interface Assy's



Item	Part No.	Name	Qty
A1 - A6	SET1711139	SEAT PLATE,ASSY,SEAT ONLY,TRU-BALANCE 3,J6	1
A1	MEC1710813	SEAT ONLY INTERFACE, TOP, TRU-BALANCE 3, J6	1
A2	MEC1710812	SEAT ONLY INTERFACE, BOTTOM, TRU-BALANCE 3, J6	2
A3	MEC1710811	UPRIGHT BAR, 2 HOLE	4
A4	WASMETR1136	WASHER, FLAT, BLACK, 8.2MM ID X 19MM OD X 1.4MM TH	6
A5	SCRHHCS1412	SCREW, HEX HEAD, M8X1.25 X 16, ISO 4014, CL 10.9, BZ, PVTP	6
A6	SCRSHFH1203	SCREW, FLAT HEAD, M8X1.25 X 20, 10.9, BZ	4
B1	HDW125250	SCREW, SOCKET HEAD, M8X1.25 X 20, ISO 4762, CL 12.9, BZ, PVTP	6

Power Base Interface Assy's



## Q6 Edge 3 Stretto Seat Only Interface, TB3



Item	Part No.	Name	Qty
A1 - A2	SET1906759	SEAT PLATE,ASSY,SEAT ONLY,TRU-BALANCE 3,STRETTO	1
A1	MEC1808717	TB3 STATIC INTERFACE PLATE EDGE MINI	1
A2	HDW125250	SCREW, SOCKET HEAD, M8X1.25 X 20, ISO 4762, CL 12.9, BZ, PVTP	6
B1 - B2	HDW136696	HARDWARE,ASSY,FIXED,SEAT ONLY,TRU-BALANCE 3	2
B1	HDW120048	SCREW,HHCS,BLACK ZINC,M10-1.5 X 20MM,GR 10.9,W/PATCH	2
B2	WASMETR1031	WASHER,FLAT,10.5 ID X 20 OD X 2 THK,BZ	2

*Tilt Assy and Components*

TB3 Version 2 (TB3.5) Complete Tilt Base Assemblies		
A1	SET160203	12"-16"W x 12"-16"D
B1	SET160205	12"-16"W x 16"-20"D
C1	SET160207	16"-20"W x 12"-16"D
D1	SET160209	16"-20"W x 16"-20"D
E1	SET160210	16"-20"W x 20"-24"D
F1	SET160211	20"-24"W x 12"-16"D
G1	SET160406	20"-24"W x 16"-20"D
H1	SET160407	20"-24"W x 20"-24"D
I1	SET160216	24"-28"W x 16"-20"D
J1	SET160221	24"-28"W x 20"-24"D
K1	SET160224	28"-32"W x 16"-20"D
L1	SET160230	28"-32"W x 20"-24"D

## \*\*\*Notes\*\*\*

1. The complete base assemblies include the Tilt Assembly, Seat Pans, Side Rails, and Width and Depth components for the various configurations.
2. The assemblies DO NOT contain the Seat Interface assemblies or the listed decals.
3. When ordering any of these assemblies, the listed decals (M1, N1, and O1) MUST be selected as well.



Item	Part No.	Name	Qty
A1	SET160203	SEAT BASE,ASSY,12"W-16"W,12"D-16"D,TILT ONLY,TB3.5	1
B1	SET160205	SEAT BASE,ASSY,12"W-16"W,16"D-20"D,TILT ONLY,TB3.5	1
C1	SET160207	SEAT BASE,ASSY,16"W-20"W,12"D-16"D,TILT ONLY,TB3.5	1
D1	SET160209	SEAT BASE,ASSY,16"W-20"W,16"D-20"D,TILT ONLY,TB3.5	1
E1	SET160210	SEAT BASE,ASSY,16"W-20"W,20"D-24"D,TILT ONLY,TB3.5	1
F1	SET160211	SEAT BASE,ASSY,20"W-24"W,12"D-16"D,TILT ONLY,TB3.5	1
G1	SET160406	SEAT BASE,ASSY,20"W-24"W,16"D-20"D,TILT ONLY,TB3.5	1
H1	SET160407	SEAT BASE,ASSY,20"W-24"W,20"D-24"D,TILT ONLY,TB3.5	1
I1	SET160216	SEAT BASE,ASSY,24"W-28"W,16"D-20"D,TILT ONLY,TB3.5	1
J1	SET160221	SEAT BASE,ASSY,24"W-28"W,20"D-24"D,TILT ONLY,TB3.5	1
K1	SET160224	SEAT BASE,ASSY,28"W-32"W,16"D-20"D,TILT ONLY,TB3.5	1
L1	SET160230	SEAT BASE,ASSY,28"W-32"W,20"D-24"D,TILT ONLY,TB3.5	1
M1	DWR1235L603	DECAL,READ OWNER'S MANUAL,ONLY AN AUTHORIZED TECHNICIAN CAN ADJUST THE SEAT,FRENCH,L-1235-603	1
N1	DWR1235L167	DECAL,PINCH POINT WARNING,0.50",L-1235-167	1
O1	DWR1235L199	DECAL,READ OWNER'S MANUAL,ONLY AN AUTHORIZED TECHNICIAN CAN ADJUST THE SEAT,L-1235-199	1

*Tilt Assy and Components*

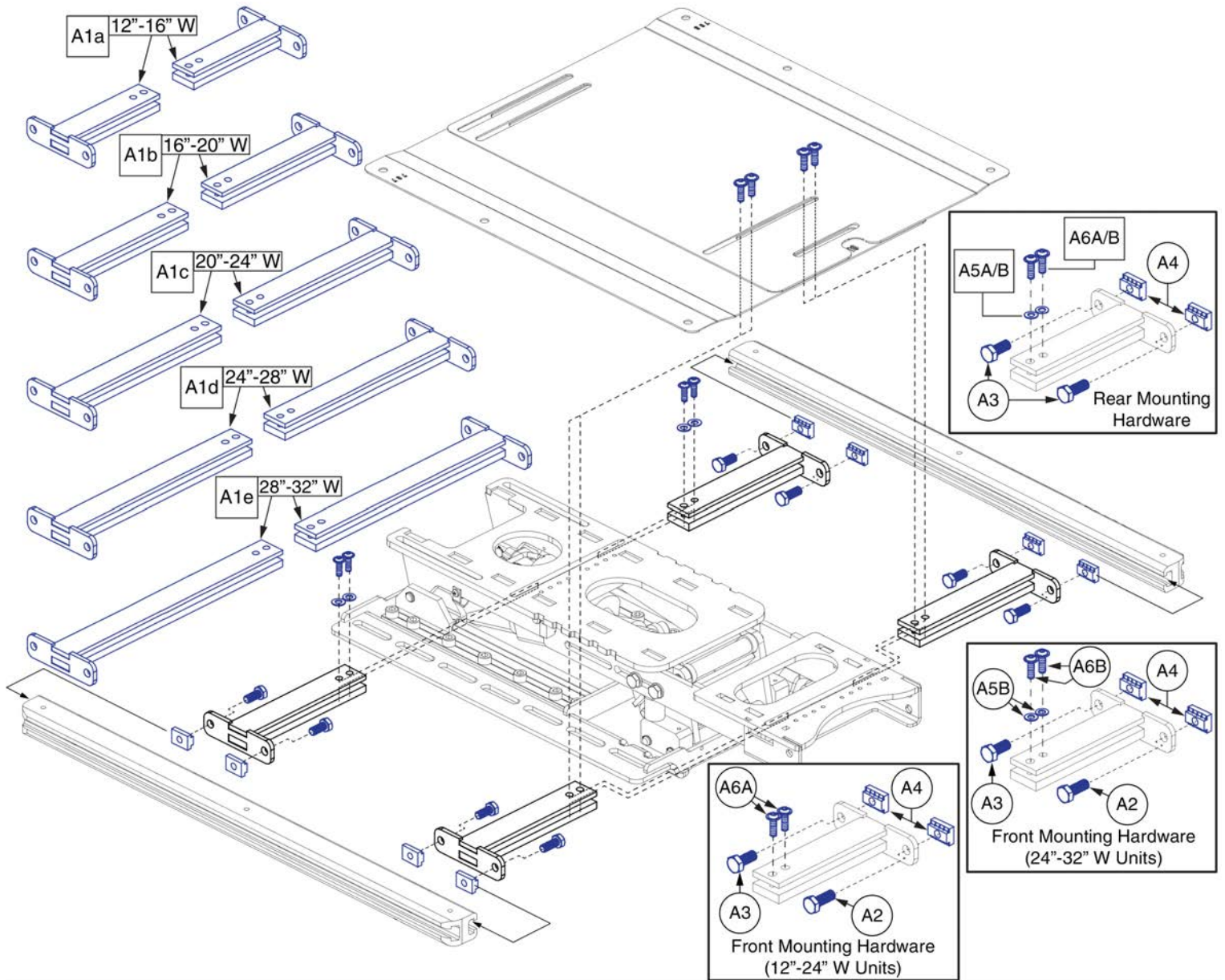
TB3 Version 2 (TB3.5) Complete Tilt Base Assemblies, J6		
A1	SET1710459	12"-16"W x 12"-16"D
B1	SET1710462	12"-16"W x 16"-20"D
C1	SET1710463	16"-20"W x 12"-16"D
D1	SET1710466	16"-20"W x 16"-20"D

## \*\*\*Notes\*\*\*

1. The complete base assemblies include the Tilt Assembly, Seat Pans, Side Rails, Width and Depth components, and Seat Interface assembly for the various configurations.
2. The assemblies DO NOT contain the listed decals.
3. When ordering any of these assemblies, the listed decals (E1, F1, and G1) MUST be selected as well.

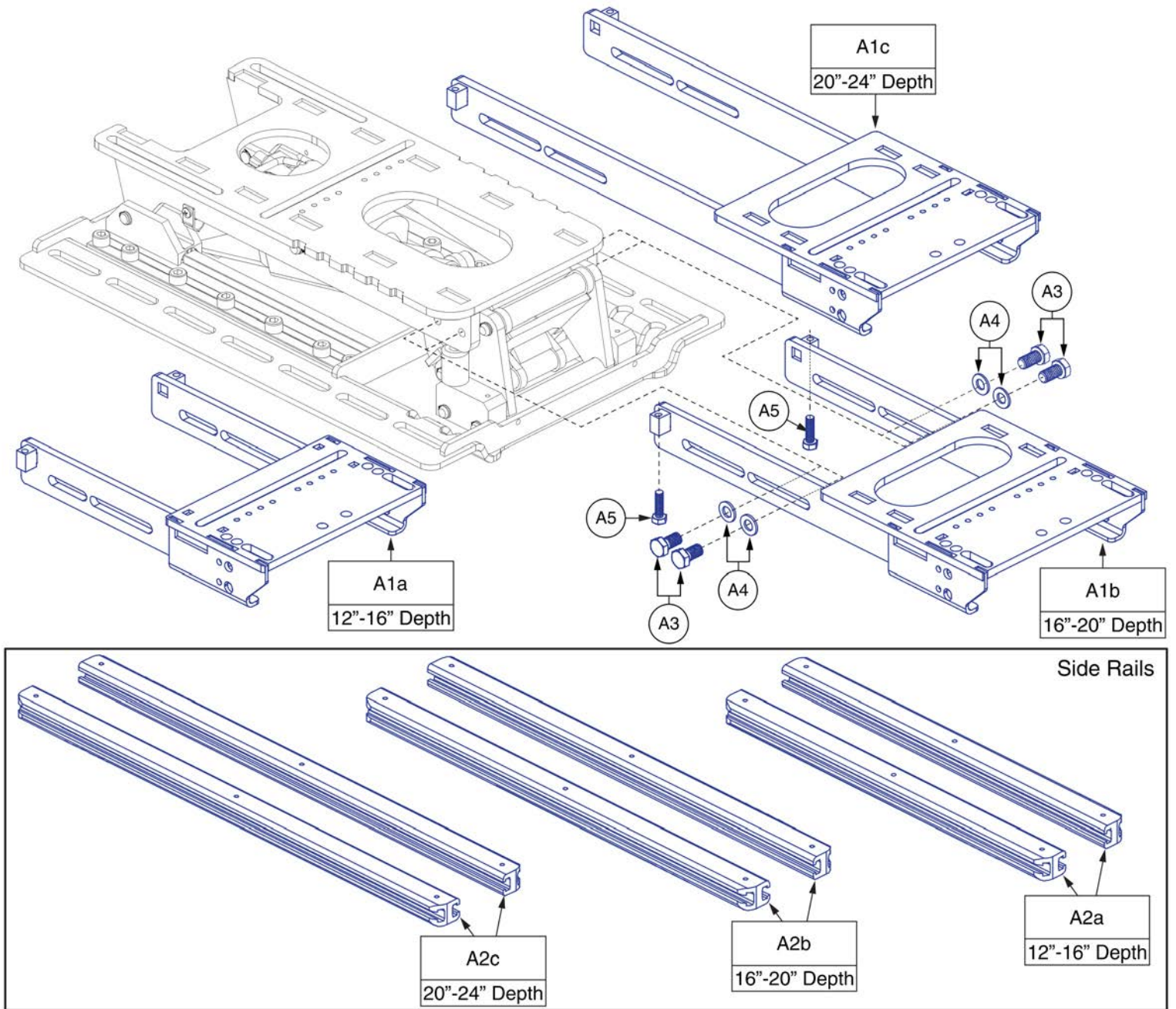
Item	Part No.	Name	Qty
A1	SET1710459	SEAT BASE,ASSY,12"W-16"W,12"D-16"D,TILT ONLY,TRU-BALANCE 3.5,J6	1
B1	SET1710462	SEAT BASE,ASSY,12"W-16"W,16"D-20"D,TILT ONLY,TRU-BALANCE 3.5,J6	1
C1	SET1710463	SEAT BASE,ASSY,16"W-20"W,12"D-16"D,TILT ONLY,TRU-BALANCE 3.5,J6	1
D1	SET1710466	SEAT BASE,ASSY,16"W-20"W,16"D-20"D,TILT ONLY,TRU-BALANCE 3.5,J6	1
E1	DWR1235L603	DECAL,READ OWNER'S MANUAL,ONLY AN AUTHORIZED TECHNICIAN CAN ADJUST THE SEAT,FRENCH,L-1235-603	1
F1	DWR1235L167	DECAL,PINCH POINT WARNING,0.50",L-1235-167	1
G1	DWR1235L199	DECAL,READ OWNER'S MANUAL,ONLY AN AUTHORIZED TECHNICIAN CAN ADJUST THE SEAT,L-1235-199	1

Tilt Assy and Components



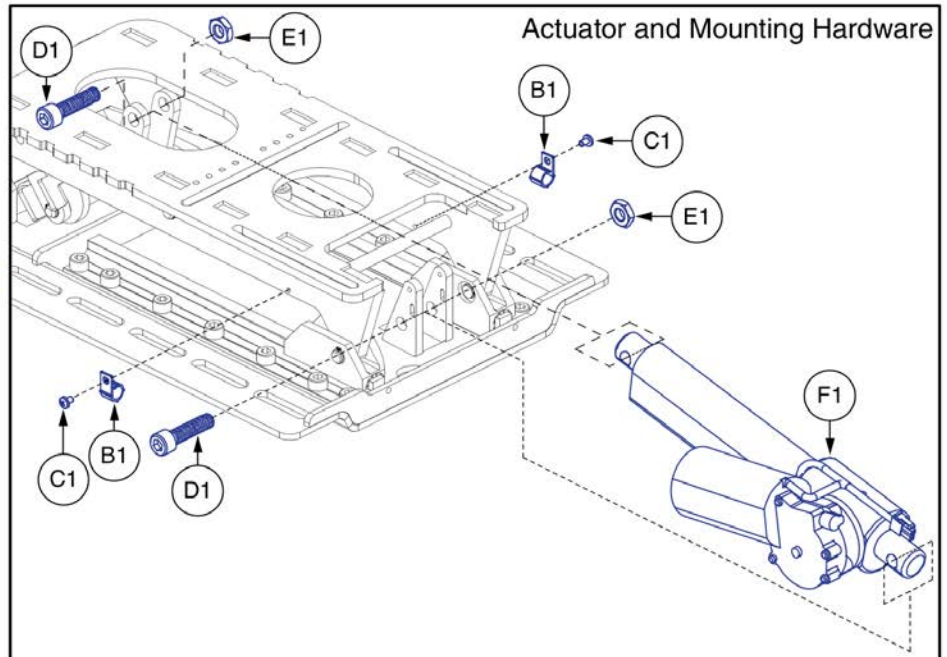
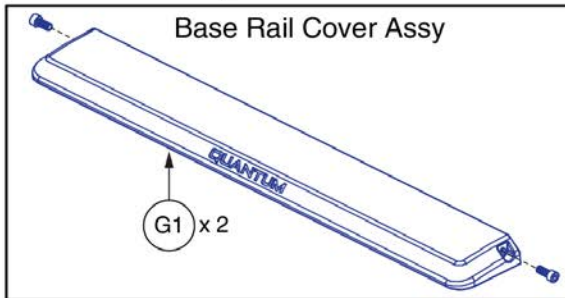
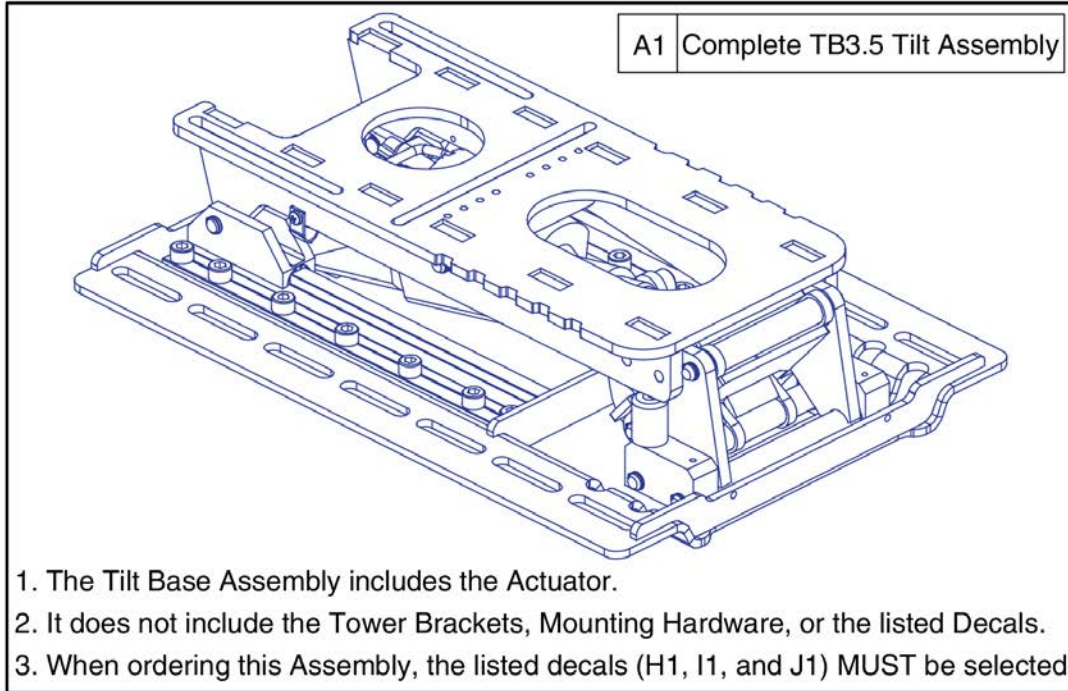
Item	Part No.	Name	Qty
A1a - A6A	SET160206	FRAME,ASSY,12"W-16"W,WIDTH ADJUSTMENT,TRU-BALANCE 3.5	1
A1a	MEC151007	FRAME,WIDTH ADJUSTMENT,ASSY,12"W-16"W,REAC TRU-BALANCE 3	4
A1b - A6A	SET160208	FRAME,ASSY,16"W-20"W,WIDTH ADJUSTMENT,TRU-BALANCE 3.5	1
A1b	MEC144370	FRAME,WIDTH ADJUSTMENT WELDMENT,16"W-20"W,VERSION 2,TRU-BALANCE 3	4
A1c - A6A	SET160212	FRAME,ASSY,20"W-24"W,WIDTH ADJUSTMENT,TRU-BALANCE 3.5	1
A1c	MEC145989	FRAME,WIDTH ADJUSTMENT WELDMENT,20"W-24"W,VERSION 2,TRU-BALANCE 3	4
A1d - A6B	SET160223	FRAME,ASSY,24"W-28"W,WIDTH ADJUSTMENT,TRU-BALANCE 3.5	1
A1d	MEC152580	FRAME,WIDTH ADJUSTMENT WELDMENT,24"W-28"W,TB3.5	4
A1e - A6B		FRAME,ASSY,28"W-32"W,WIDTH ADJUSTMENT,TRU-BALANCE 3.5	1
A1e	MEC152579	FRAME,WIDTH ADJUSTMENT WELDMENT,28"W-32"W,TB3.5	4
A2	SCRHHCS1727	SCREW,HHCS,BLACK ZINC,M8-1.25 X 20MM,GRADE 10.9,W/NYLON PATCH,C-1005-098	2
A3	SCRHHCS1412	SCREW, HEX HEAD, M8X1.25 X 16, ISO 4014, CL 10.9, BZ, PVTP	6
A4	NUT8120005	NUT,T-SLOT,BLACK,M8-1.25	8
A5A	WASSTND1097	WASHER, FLAT, 6.4 ID X 12 OD X 1.6 THK, ISO 7089-6-200 HV, BZ	4
A5B	WASSTND1097	WASHER, FLAT, 6.4 ID X 12 OD X 1.6 THK, ISO 7089-6-200 HV, BZ	8
A6A	HDW147703	SCREW, FLANGED BUTTON HEAD, M6X1.0 X 20, ISO 7380-2, CL 10.9, BZ, PVTP	8
A6B		SCREW,BHSHCS,BLACK ZINC,M6-1.0 X 25MM,GRADE 10.9	8

Tilt Assy and Components



Item	Part No.	Name	Qty
A1a - A5	SET160204	FRAME,ASSY,12"D-16"D,DEPTH ADJUSTMENT,TRU-BALANCE 3.5	1
A1a	MEC152236	FRAME,DEPTH ADJUSTMENT WELDMENT,12"D-16"D,TB3.5	1
A2a	SET123690	SEAT FRAME,SIDE RAIL,12"D-16"D,TRU-BALANCE 3 TILT,TRU-BALANCE 3	2
A1b - A5	SET160220	FRAME,ASSY,16"D-20"D,DEPTH ADJUSTMENT,TRU-BALANCE 3.5	1
A1b	MEC152199	FRAME,DEPTH ADJUSTMENT WELDMENT,16"D-20"D,TB3.5	1
A2b	SET123691	SEAT FRAME,SIDE RAIL,16"D-20"D,TRU-BALANCE 3	2
A1c - A5	SET160219	FRAME,ASSY,20"D-24"D,DEPTH ADJUSTMENT,TRU-BALANCE 3.5	1
A1c	MEC152564	FRAME,DEPTH ADJUSTMENT WELDMENT,20"D-24"D,TB3.5	1
A2c	SET123692	SEAT FRAME,SIDE RAIL,20"D-24"D,TRU-BALANCE 3	2
A3	SCRHHCS1412	SCREW, HEX HEAD, M8X1.25 X 16, ISO 4014, CL 10.9, BZ, PVTP	4
A4	WASMETR1010	WASHER,FLAT,BLACK ZINC,8.4MM ID X 16MM OD X 1.6MM THK,ISO 7089	4
A5	SCRHHCS1219	SCREW,HHCS,M6-1.0 X 25MM,10.9,BLACK ZINC,PATCH IFI-524	2

Tilt Assy and Components





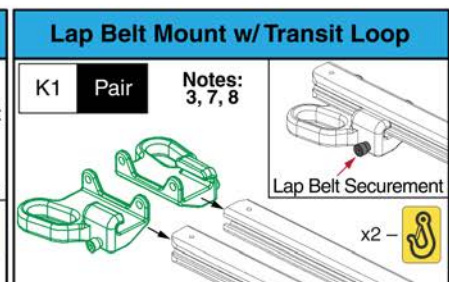
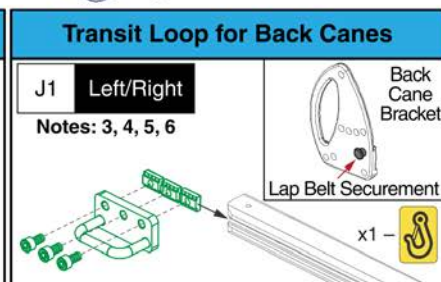
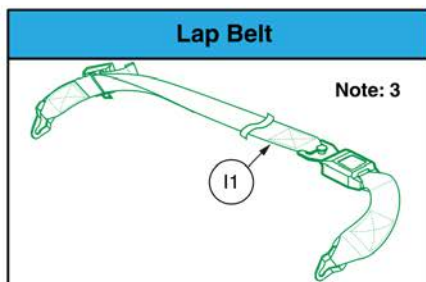
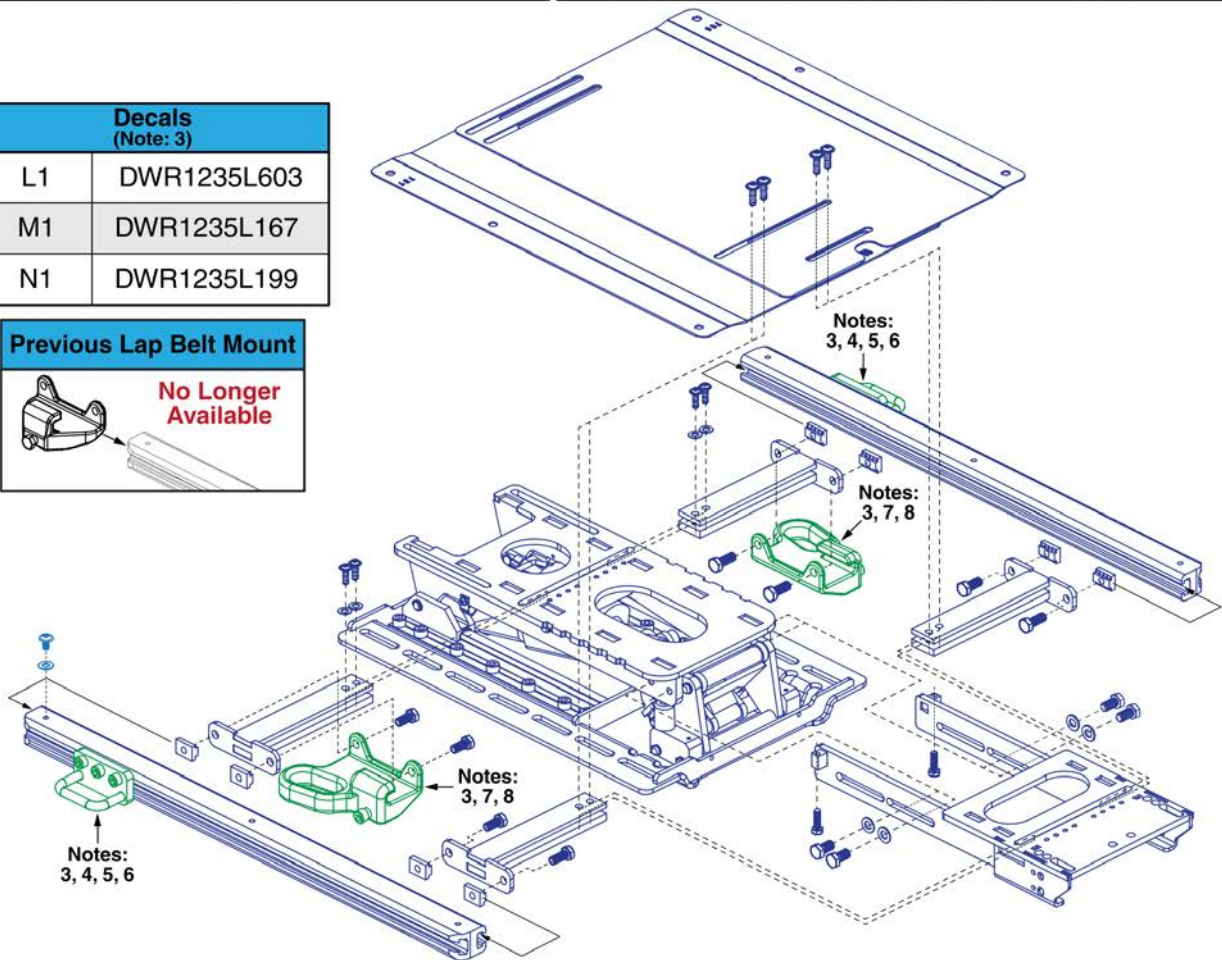
Item	Part No.	Name	Qty
A1	MEC145642	HD TILT ASSY 2,TRU-BALANCE 3	1
B1	CLPCBLC1028	CLAMP,CABLE,BLACK,NYLON,.38" DIAMETER,P-CLIP,C-1059-042	2
C1	SCRPPH1304	SCREW,PPH,BLACK ZINC,M4-.7 X 6MM	2
D1	HDW120017	SCREW, SOCKET HEAD, M10X1.25 X 40, ISO 4762 CL 12.9, BZ	2
E1	HDW122654	NUT,JAM,BLACK ZINC,M10-1.25,CLASS 4	2
F1	MOT136738	ACTUATOR,100MM STROKE,6000N,TB3 TILT HD,(REAC:94UE1FB1)	1
G1	DGN168314	COVER,SIDE RAIL,PLASTIC,TRU-BALANCE 3.5 TILT	2
H1	DWR1235L603	DECAL,READ OWNER'S MANUAL,ONLY AN AUTHORIZED TECHNICIAN CAN ADJUST THE SEAT,FRENCH,L-1235-603	1
I1	DWR1235L167	DECAL,PINCH POINT WARNING,0.50",L-1235-167	2
J1	DWR1235L199	DECAL,READ OWNER'S MANUAL,ONLY AN AUTHORIZED TECHNICIAN CAN ADJUST THE SEAT,L-1235-199	1

**Tilt Assy and Components, WC-19 Occupied Transit**

TB3 Seat Only Complete Base Assemblies Occupied Transit (Notes 1, 2, & 3)		
A1	SET1805285	12"-16"W x 12"-16"D
B1	SET1805286	12"-16"W x 16"-20"D
C1	SET1805287	16"-20"W x 12"-16"D
D1	SET160461	16"-20"W x 16"-20"D
E1	SET1805288	16"-20"W x 20"-24"D
F1	SET1805289	20"-24"W x 12"-16"D
G1	SET1805290	20"-24"W x 16"-20"D
H1	SET1805291	20"-24"W x 20"-24"D

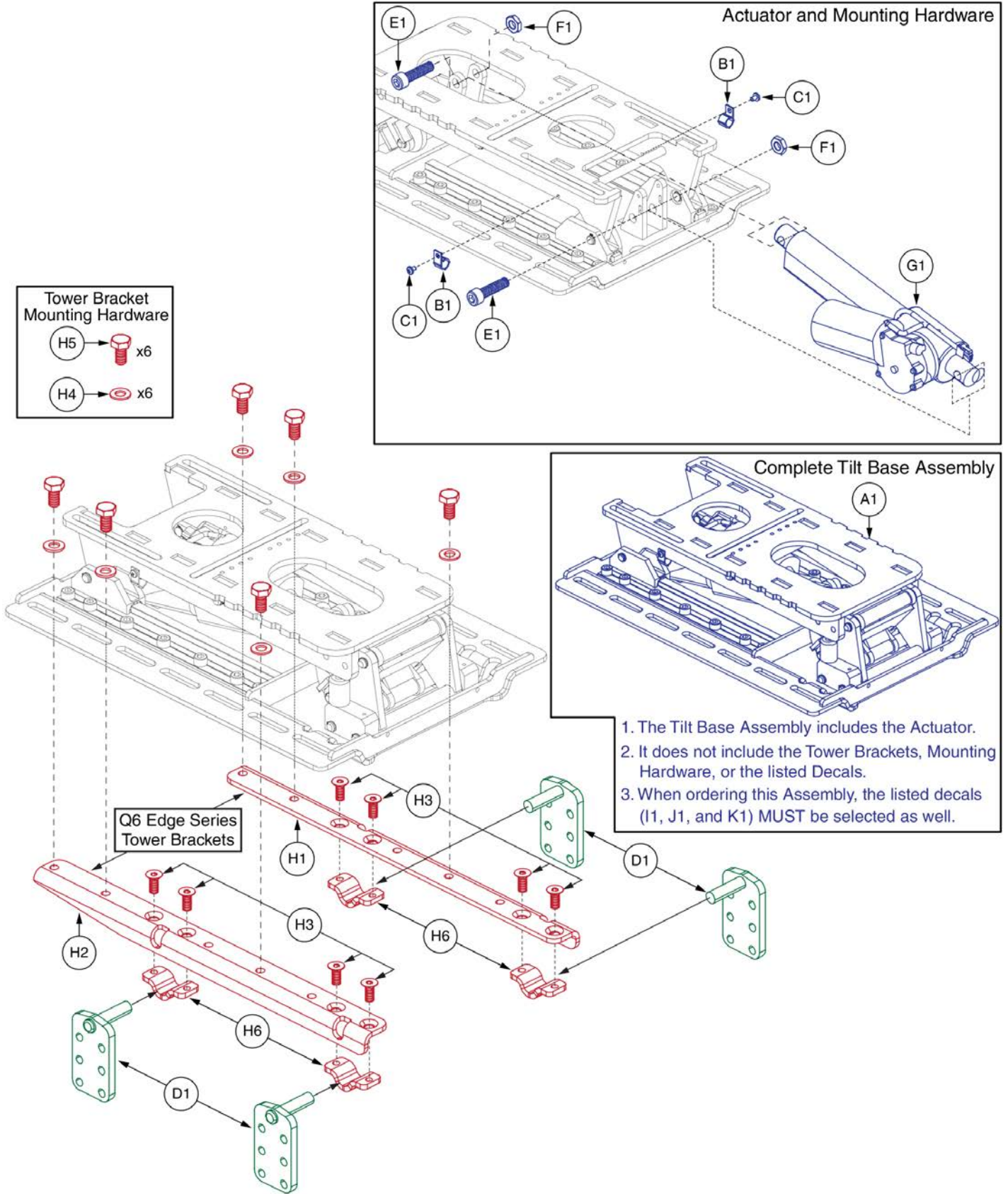
Notes:
<b>Complete Seat Assemblies</b>
1. For proper assembly, the Complete Occupied Transit Base should only be ordered through Technical Service. 2. Individual components are not serviceable. The complete assembly must be selected. 3. The Lap Belt (I1), Decals (L1,M1,N1) and Transit Loops (J1 / K1) are <b>NOT</b> included with the Complete Seat Assemblies and <b>MUST</b> be selected separately. See notes 4 thru 8 for transit loop selection.
<b>Transit Loops / Lap Belt Mount</b>
4. Only for use on units equipped with Back Canes. 5. The Lap Belt will attach directly to the Back Cane Bracket. See the Back Cane Bracket page for selection. 6. The left side mounting mirrors the right side. A quantity of 2 must be selected for the pair. 7. Only for use on units equipped with Static or Power Recline backs. 8. Does not include the screws or t-nuts that mount the bracket to the side rail. The complete seat assembly must be selected.

Decals (Note: 3)	
L1	DWR1235L603
M1	DWR1235L167
N1	DWR1235L199



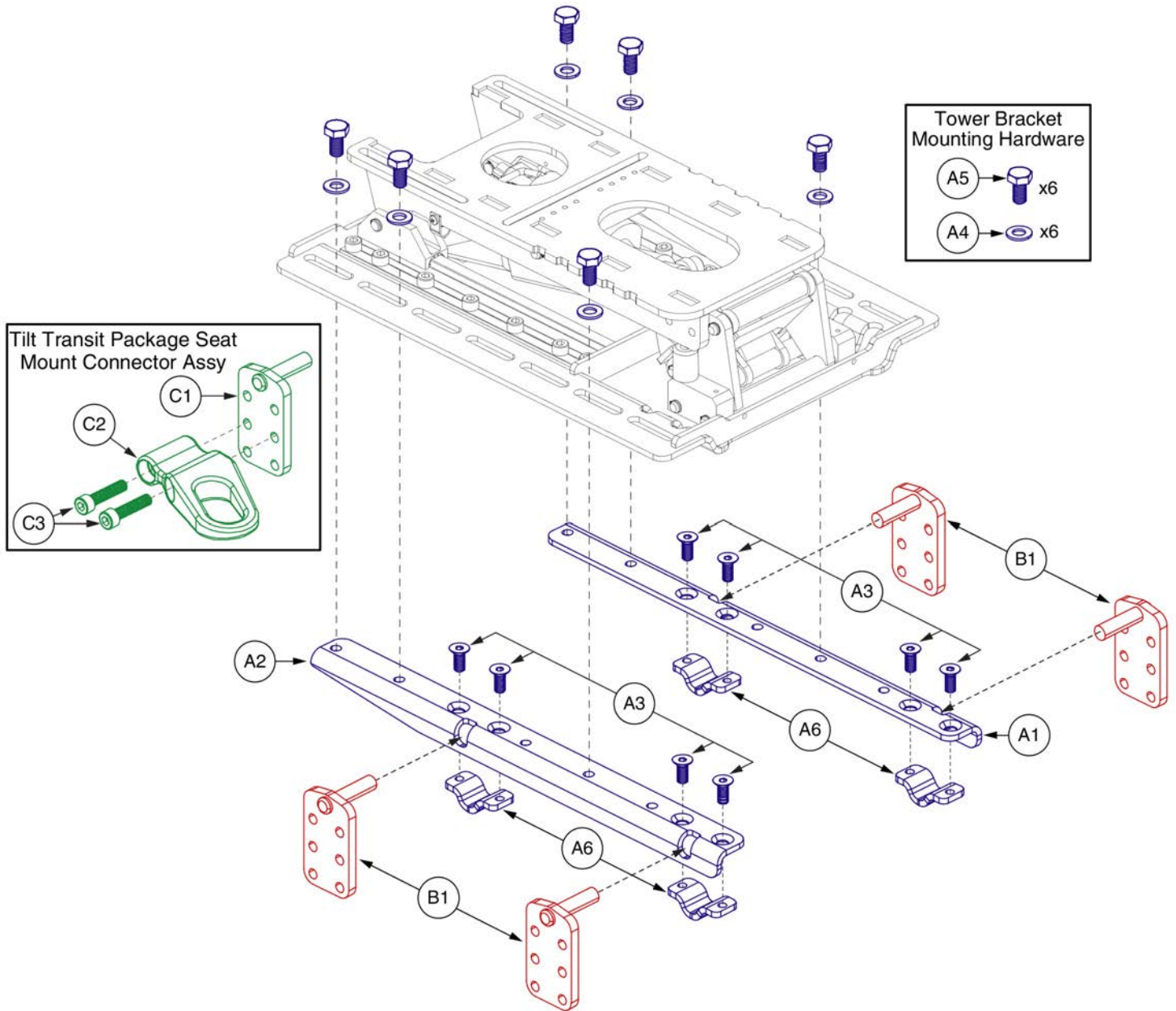
Item	Part No.	Name	Qty
A1	SET1805285	SEAT BASE,ASSY,12"W-16"W,12"D-16"D,TILT ONLY,OCCUPIED TRANSIT,TRU-BALANCE 3.5,WC19	1
B1	SET1805286	SEAT BASE,ASSY,12"W-16"W,16"D-20"D,TILT ONLY,OCCUPIED TRNSIT,TRU-BALANCE 3.5,WC19	1
C1	SET1805287	SEAT BASE,ASSY,16"W-20"W,12"D-16"D,TILT ONLY,OCCUPIED TRANSIT,TRU-BALANCE 3.5,WC19	1
D1	SET160461	SEAT BASE,ASSY,16"W-20"W,16"D-20"D,TILT ONLY,OCCUPIED TRANSIT,TB3.5,WC19	1
E1	SET1805288	SEAT BASE,ASSY,16"W-20"W,20"D-24"D,TILT ONLY,OCCUPIED TRANSIT,TRU-BALANCE 3.5,WC19	1
F1	SET1805289	SEAT BASE,ASSY,20"W-24"W,12"D-16"D,TILT ONLY,OCCUPIED TRANSIT,TRU-BALANCE 3.5,WC19	1
G1	SET1805290	SEAT BASE,ASSY,20"W-24"W,16"D-20"D,TILT ONLY,OCCUPIED TRANSIT,TRU-BALANCE 3.5,WC19	1
H1	SET1805291	SEAT BASE,ASSY,20"W-24"W,20"D-24"D,OCCUPIED TRANSIT,TILT ONLY,TRU-BALANCE 3.5,WC19	1
I1	ACCBELT1016	LAP BELT,60",NON-RETRACTABLE,(SURE-LOK: FE201070)	1
J1	MEC145375	MOUNTING BRACKET,ASSY,OCCUPIED TRANSIT SECUREMENT LOOP W/DECALS	1
K1	MEC1909905	LAP BELT MOUNT,ASSY,OCCUPIED TRANSIT SECUREMENT LOOP W/DECALS	1
L1	DWR1235L603	DECAL,READ OWNER'S MANUAL,ONLY AN AUTHORIZED TECHNICIAN CAN ADJUST THE SEAT,FRENCH,L-1235-603	1
M1	DWR1235L167	DECAL,PINCH POINT WARNING,0.50",L-1235-167	1
N1	DWR1235L199	DECAL,READ OWNER'S MANUAL,ONLY AN AUTHORIZED TECHNICIAN CAN ADJUST THE SEAT,L-1235-199	1

Tilt Assy and Components, WC-19 Occupied Transit



Item	Part No.	Name	Qty
A1	MEC145642	HD TILT ASSY 2,TRU-BALANCE 3	1
B1	CLPCBLC1028	CLAMP,CABLE,BLACK,NYLON,.38" DIAMETER,P-CLIP,C-1059-042	2
C1	SCRPPH1304	SCREW,PPH,BLACK ZINC,M4-.7 X 6MM	2
D1	MEC131182	MOUNTING BRACKET,SEAT INTERFACE,TRU-BALANCE 3	4
E1	HDW120017	SCREW, SOCKET HEAD, M10X1.25 X 40, ISO 4762 CL 12.9, BZ	2
F1	HDW122654	NUT,JAM,BLACK ZINC,M10-1.25,CLASS 4	2
G1	MOT136738	ACTUATOR,100MM STROKE,6000N,TB3 TILT HD,(REAC:94UE1FB1)	1
H1 - H6	HDW160459	HARDWARE,ASSY,ANGLE ADJUSTABLE,Q6EDGE,TRU-BALANCE 3.5	1
H1	MEC152366	TILT,ANGLE ADJUSTABLE TOWER BRACKET A,TRU-BALANCE 3	1
H2	MEC152432	TILT,ANGLE ADJUSTABLE TOWER BRACKET B,TRU-BALANCE 3	1
H3	HDW145729	SCREW,SHFH,M8-1.25 X 12MM,ISO 10642,CLASS 10.9,ASTM F1941M 8E BLACK,PATCH IFI-524	8
H4	WASMETR1031	WASHER,FLAT,10.5 ID X 20 OD X 2 THK,BZ	6
H5	HDW120048	SCREW,HHCS,BLACK ZINC,M10-1.5 X 20MM,GR 10.9,W/PATCH	6
H6	MEC131180	SEATING INTERFACE CLAMP,TRU-BALANCE 3	4
I1	DWR1235L603	DECAL,READ OWNER'S MANUAL,ONLY AN AUTHORIZED TECHNICIAN CAN ADJUST THE SEAT,FRENCH,L-1235-603	1
J1	DWR1235L167	DECAL,PINCH POINT WARNING,0.50",L-1235-167	2
K1	DWR1235L199	DECAL,READ OWNER'S MANUAL,ONLY AN AUTHORIZED TECHNICIAN CAN ADJUST THE SEAT,L-1235-199	1

Power Base Interface Assy's

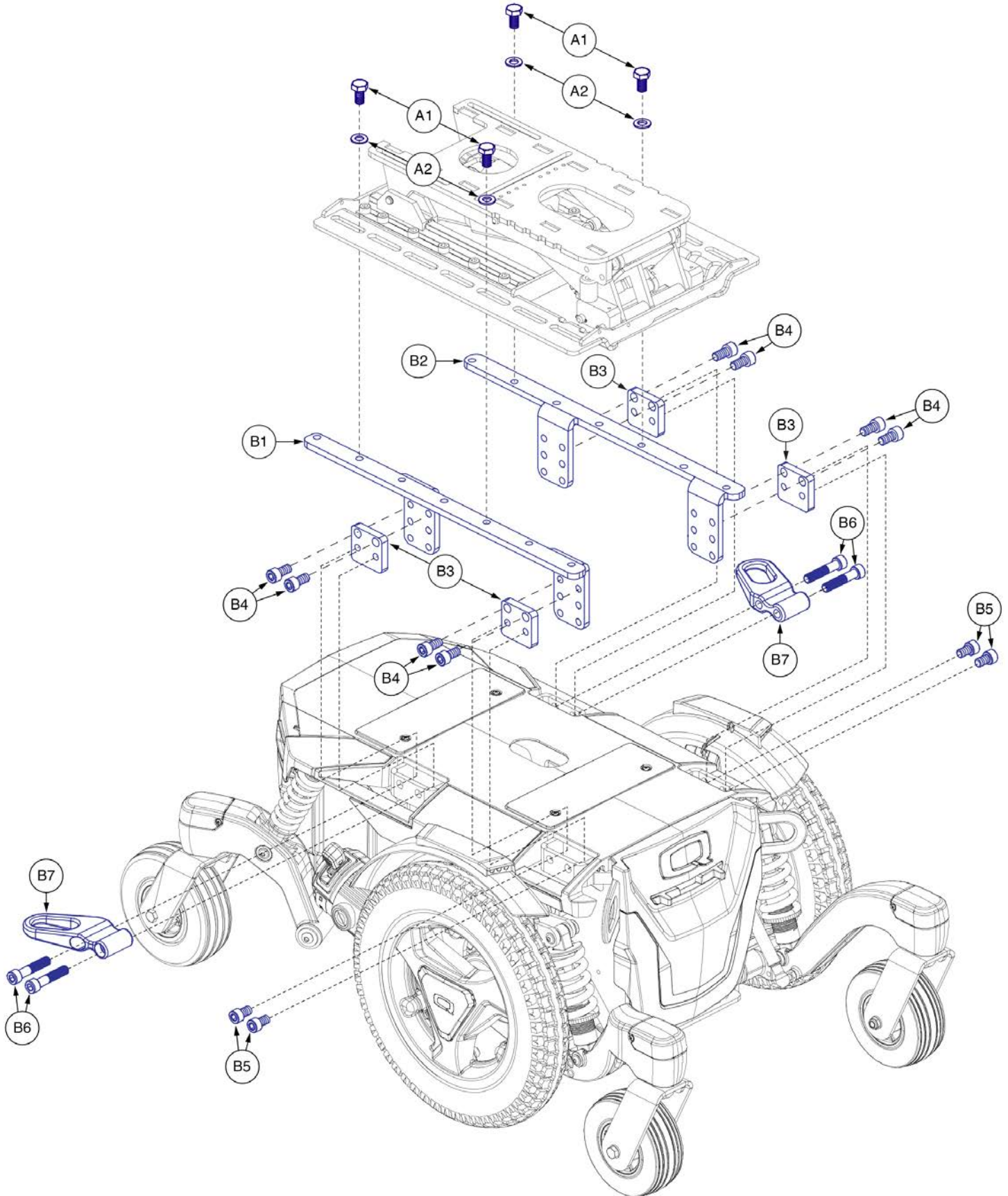


## Q6 Edge Series Tilt (TB3.5) Interface, TB3



Item	Part No.	Name	Qty
A1 - A6	HDW160459	HARDWARE,ASSY,ANGLE ADJUSTABLE,Q6EDGE,TRU-BALANCE 3.5	1
A1	MEC152366	TILT,ANGLE ADJUSTABLE TOWER BRACKET A,TRU-BALANCE 3	1
A2	MEC152432	TILT,ANGLE ADJUSTABLE TOWER BRACKET B,TRU-BALANCE 3	1
A3	HDW145729	SCREW,SHFH,M8-1.25 X 12MM,ISO 10642,CLASS 10.9,ASTM F1941M 8E BLACK,PATCH IFI-524	8
A4	WASMETR1031	WASHER,FLAT,10.5 ID X 20 OD X 2 THK,BZ	6
A5	HDW120048	SCREW,HHCS,BLACK ZINC,M10-1.5 X 20MM,GR 10.9,W/PATCH	6
A6	MEC131180	SEATING INTERFACE CLAMP,TRU-BALANCE 3	4
B1	MEC131182	MOUNTING BRACKET,SEAT INTERFACE,TRU-BALANCE 3	4
C1 - C3	MEC131902	SEAT MOUNT CONNECTOR,ASSY,TB3 TILT,TRANSIT PACKAGE,METRIC	1
C1	MEC131182	MOUNTING BRACKET,SEAT INTERFACE,TRU-BALANCE 3	4
C2	MEC142133	MOUNTING BRACKET,ASSY,UNIVERSAL TRANSIT SECUREMENT LOOP W/DECALS	4
C3	HDW142810	SCREW, SOCKET HEAD, M10 X 50, ISO 4762, CL 12.9, BZ, PVTP	8

Power Base Interface Assy's



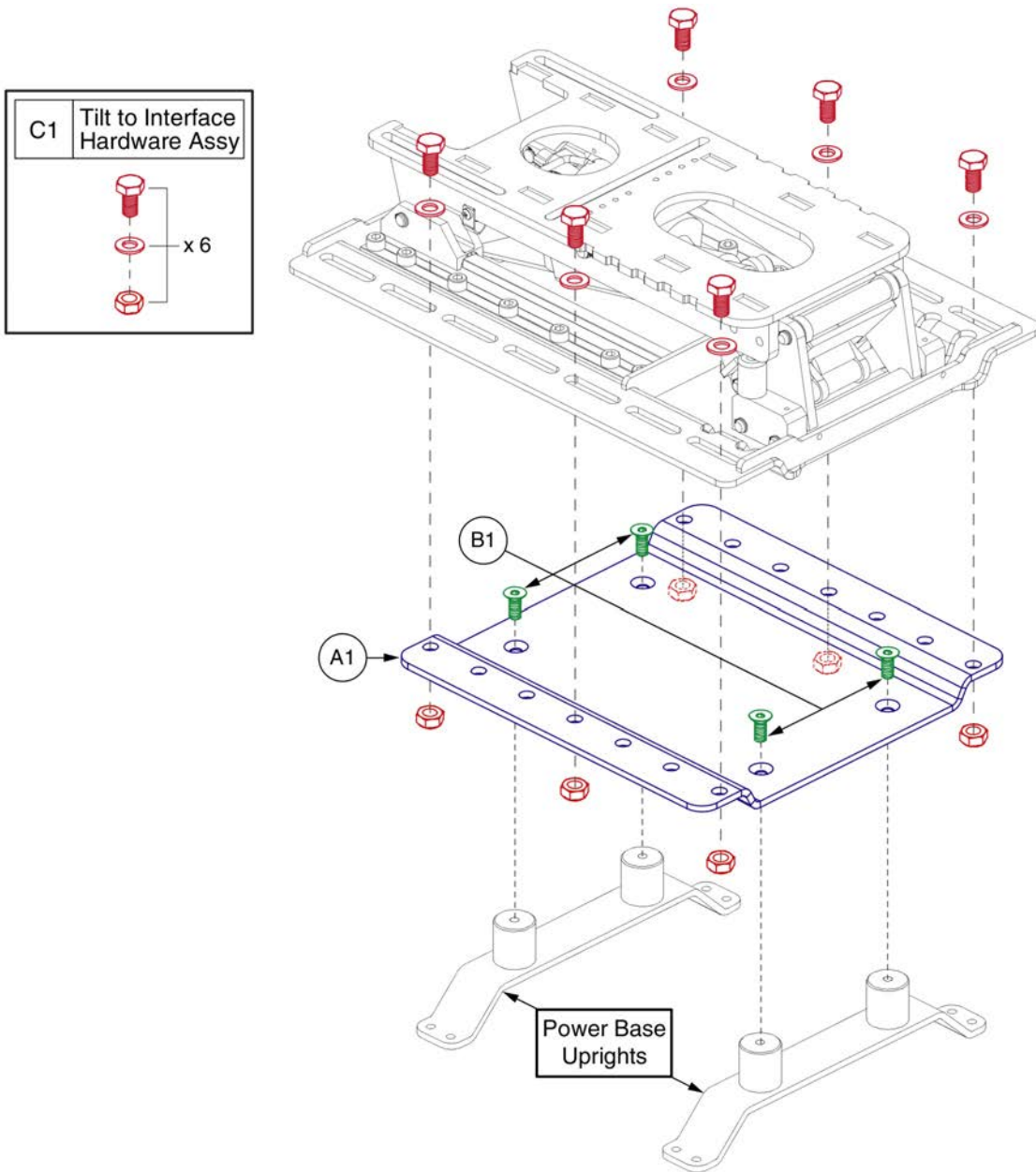


## Q6 Edge 3 Stretto Tilt (TB3.5) Interface, TB3



Item	Part No.	Name	Qty
A1 - A2	HDW136696	HARDWARE,ASSY,FIXED,SEAT ONLY,TRU-BALANCE 3	2
A1	HDW120048	SCREW,HHCS,BLACK ZINC,M10-1.5 X 20MM,GR 10.9,W/PATCH	2
A2	WASMETR1031	WASHER,FLAT,10.5 ID X 20 OD X 2 THK,BZ	2
B1 - B7	MEC1900195	SEAT INTERFACE,ASSY,TB3.5 TILT,EDGE MINI	1
B1	MEC1809730	EDGE MINI TB3.5 TILT BRACKET, RIGHT	1
B2	MEC1809731	EDGE MINI TB3.5 SEATING INTERFACE, LEFT	1
B3	MEC1808718	TB3 TILT SPACER, EDGE MINI	4
B4	SCRSHCS1340	SCREW,SHCS,BLACK ZINC,M10-1.5 X 20MM,GR 10.9,W/PATCH	8
B5	HDW133681	SCREW, SOCKET HEAD, M10X1.5 X 16, ISO 4762, CL 12.9, BZ, PVTP	4
B6	HDW142810	SCREW, SOCKET HEAD, M10 X 50, ISO 4762, CL 12.9, BZ, PVTP	4
B7	MEC142133	MOUNTING BRACKET,ASSY,UNIVERSAL TRANSIT SECUREMENT LOOP W/DECALS	2

Power Base Interface Assy's

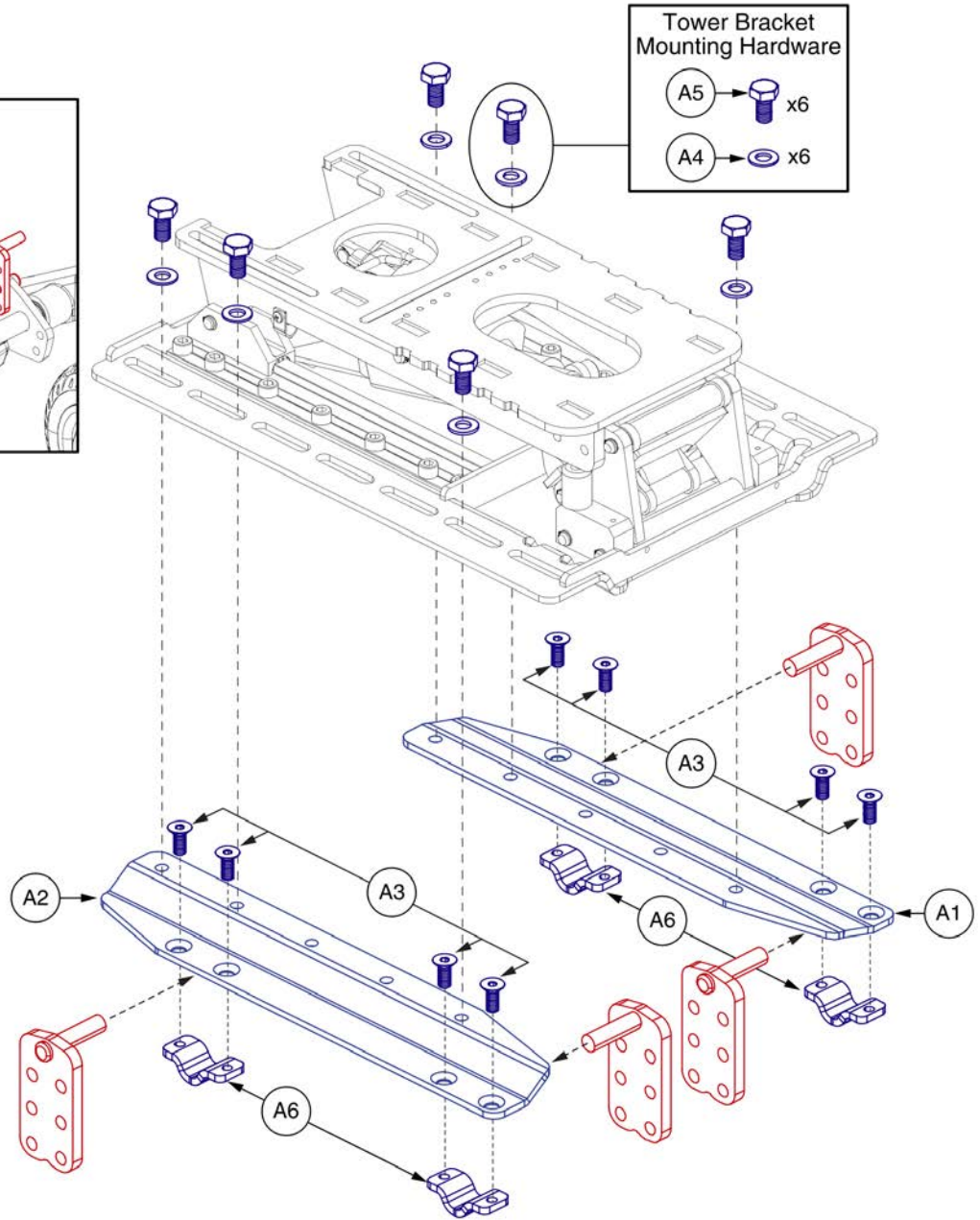
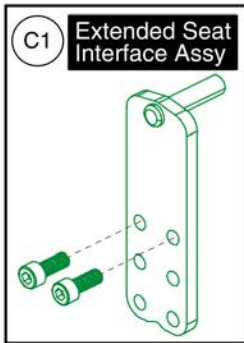
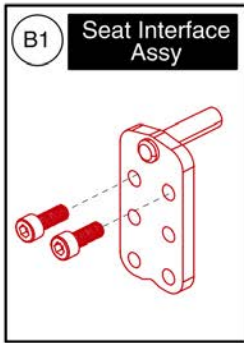
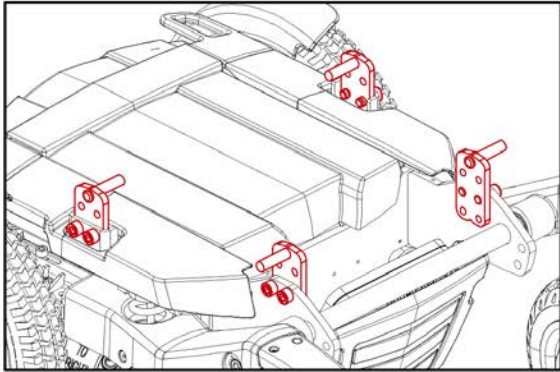


## J6 Tilt (TB3.5) Interface, TB3



Item	Part No.	Name	Qty
A1	MEC1706899	TB3 TILT, Q610/J6 INTERFACE PLATE	1
B1	SCRSHFH1203	SCREW,FLAT HEAD,M8X1.25 X 20,10.9,BZ	4
C1	MEC1710696	HARDWARE,ASSY,J6,TRU-BALANCE 3.5	1

Power Base Interface Assy's



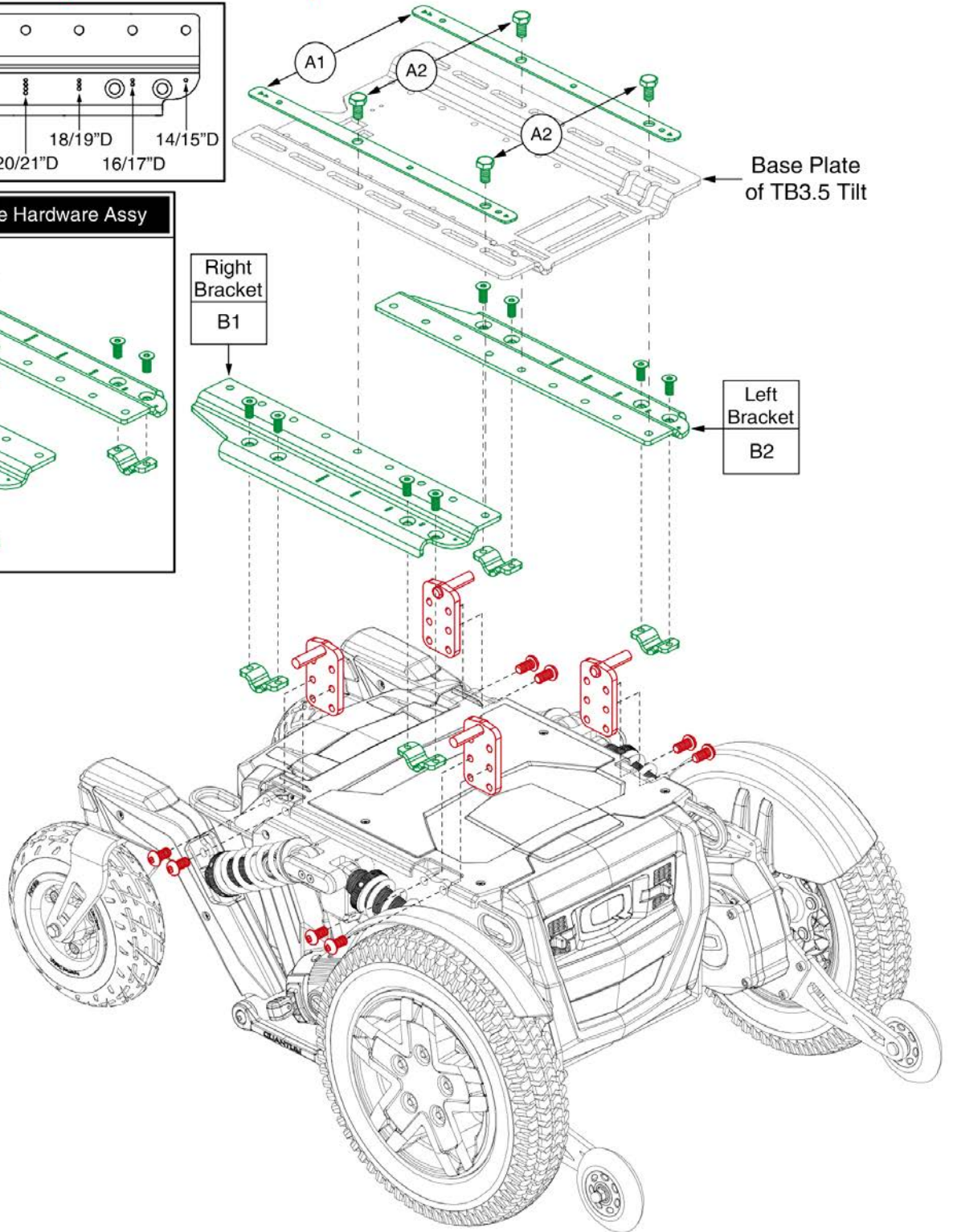
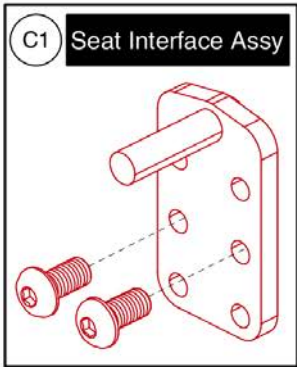
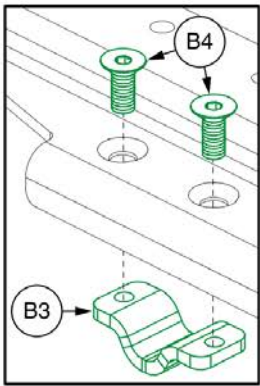
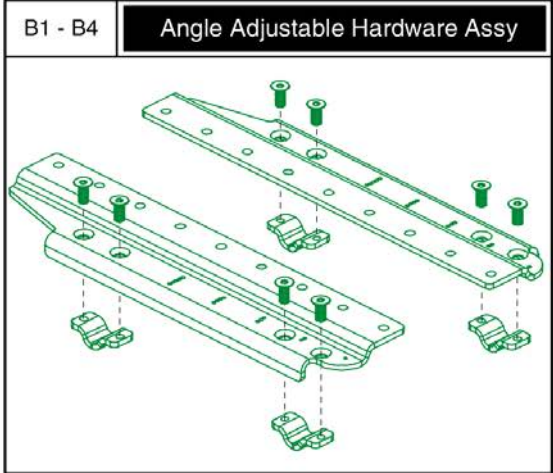
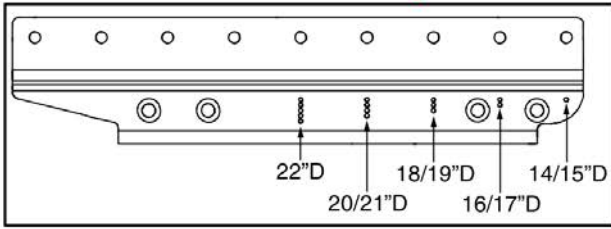
## R44 (Rival) Tilt (TB3.5) Interface, TB3



Item	Part No.	Name	Qty
A1 - A6	HDW160458	HARDWARE,ASSY,ANGLE ADJUSTABLE,R44,TRU-BALANCE 3.5	1
A1	MEC152479	TILT,ANGLE ADJUSTABLE TOWER BRACKET A,R44,TRU-BLANCE 3	1
A2	MEC152478	TILT,ANGLE ADJUSTABLE TOWER BRACKET B,R44,TRU-BLANCE 3	1
A3	HDW145729	SCREW,SHFH,M8-1.25 X 12MM,ISO 10642,CLASS 10.9,ASTM F1941M 8E BLACK,PATCH IFI-524	8
A4	WASMETR1031	WASHER,FLAT,10.5 ID X 20 OD X 2 THK,BZ	6
A5	HDW120048	SCREW,HHCS,BLACK ZINC,M10-1.5 X 20MM,GR 10.9,W/PATCH	6
A6	MEC131180	SEATING INTERFACE CLAMP,TRU-BALANCE 3	4
B1	MEC132769	FRAME,ASSY,SEAT INTERFACE,QUANTUMR44,TRU-BALANCE 3,W/MOUNTING HARDWARE	4
C1	MEC154716	FRAME,ASSY,SEAT INTERFACE,TB3 EXTENDED,QUANTUMR44,W/MOUNTING HARDWARE	4

Power Base Interface Assy's

Only Servicable Components Contain Callouts

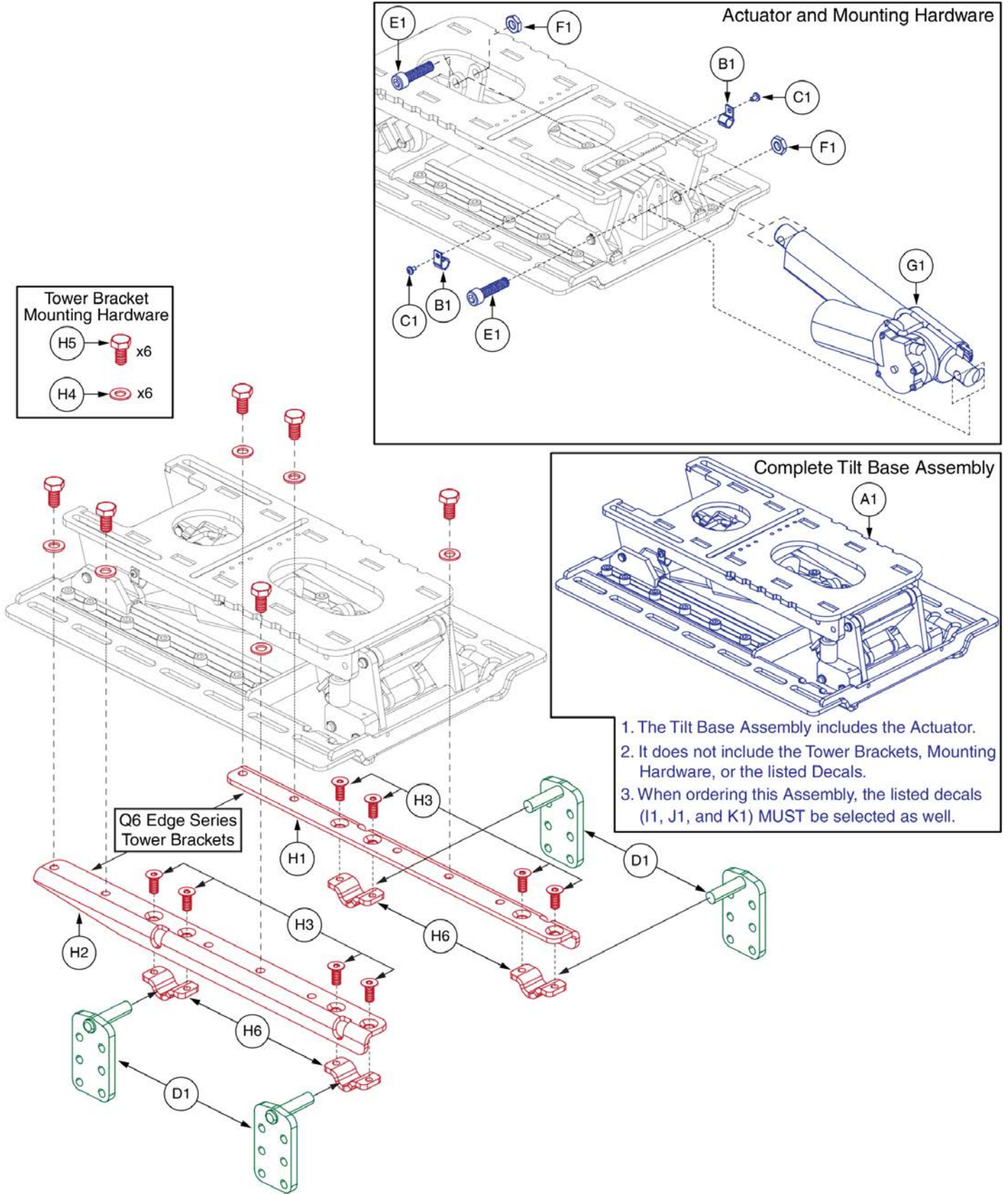


## 4Front Tilt (TB3.5) Interface, TB3



Item	Part No.	Name	Qty
A1 - B4	HDW1705238	HARDWARE,ASSY,ANGLE ADJUSTABLE,Q4FRONT,TRU-BALANCE 3.5	1
A1	MEC1705904	TB3.5 SPACER WELDMENT	2
A2	HDW120048	SCREW,HHCS,BLACK ZINC,M10-1.5 X 20MM,GR 10.9,W/PATCH	4
B1 - B4	HDW1805748	HARDWARE,ASSY,ANGLE ADJUSTABLE,Q4FRONT	1
B1	MEC1705476	TB3.5 TILT INTERFACE PLATE, RIGHT	1
B2	MEC1704198	TB3.5 TILT INTERFACE PLATE, LEFT	1
B3	MEC131180	SEATING INTERFACE CLAMP,TRU-BALANCE 3	4
B4	HDW145729	SCREW,SHFH,M8-1.25 X 12MM,ISO 10642,CLASS 10.9,ASTM F1941M 8E BLACK,PATCH IFI-524	8
C1	MEC1705730	SEAT INTERFACE,ASSY,TB3.5,QUANTUM 4FRONT,W/MOUNTING HARDWARE	1

**Power Base Interface Assy's**





Item	Part No.	Name	Qty
A1	MEC145642	HD TILT ASSY 2,TRU-BALANCE 3	1
B1	CLPCBLC1028	CLAMP,CABLE,BLACK,NYLON,.38" DIAMETER,P-CLIP,C-1059-042	2
C1	SCRPPH1304	SCREW,PPH,BLACK ZINC,M4-.7 X 6MM	2
D1	MEC131182	MOUNTING BRACKET,SEAT INTERFACE,TRU-BALANCE 3	4
E1	HDW120017	SCREW, SOCKET HEAD, M10X1.25 X 40, ISO 4762 CL 12.9, BZ	2
F1	HDW122654	NUT,JAM,BLACK ZINC,M10-1.25,CLASS 4	2
G1	MOT136738	ACTUATOR,100MM STROKE,6000N,TB3 TILT HD,(REAC:94UE1FB1)	1
H1 - H6	HDW160459	HARDWARE,ASSY,ANGLE ADJUSTABLE,Q6EDGE,TRU-BALANCE 3.5	1
H1	MEC152366	TILT,ANGLE ADJUSTABLE TOWER BRACKET A,TRU-BALANCE 3	1
H2	MEC152432	TILT,ANGLE ADJUSTABLE TOWER BRACKET B,TRU-BALANCE 3	1
H3	HDW145729	SCREW,SHFH,M8-1.25 X 12MM,ISO 10642,CLASS 10.9,ASTM F1941M 8E BLACK,PATCH IFI-524	8
H4	WASMETR1031	WASHER,FLAT,10.5 ID X 20 OD X 2 THK,BZ	6
H5	HDW120048	SCREW,HHCS,BLACK ZINC,M10-1.5 X 20MM,GR 10.9,W/PATCH	6
H6	MEC131180	SEATING INTERFACE CLAMP,TRU-BALANCE 3	4
I1	DWR1235L603	DECAL,READ OWNER'S MANUAL,ONLY AN AUTHORIZED TECHNICIAN CAN ADJUST THE SEAT,FRENCH,L-1235-603	1
J1	DWR1235L167	DECAL,PINCH POINT WARNING,0.50",L-1235-167	2
K1	DWR1235L199	DECAL,READ OWNER'S MANUAL,ONLY AN AUTHORIZED TECHNICIAN CAN ADJUST THE SEAT,L-1235-199	1

*1.4. Version 1 Tilt Components*

The Complete Version 1 Tilt Assy's have been discontinued and are no longer available for replacement.

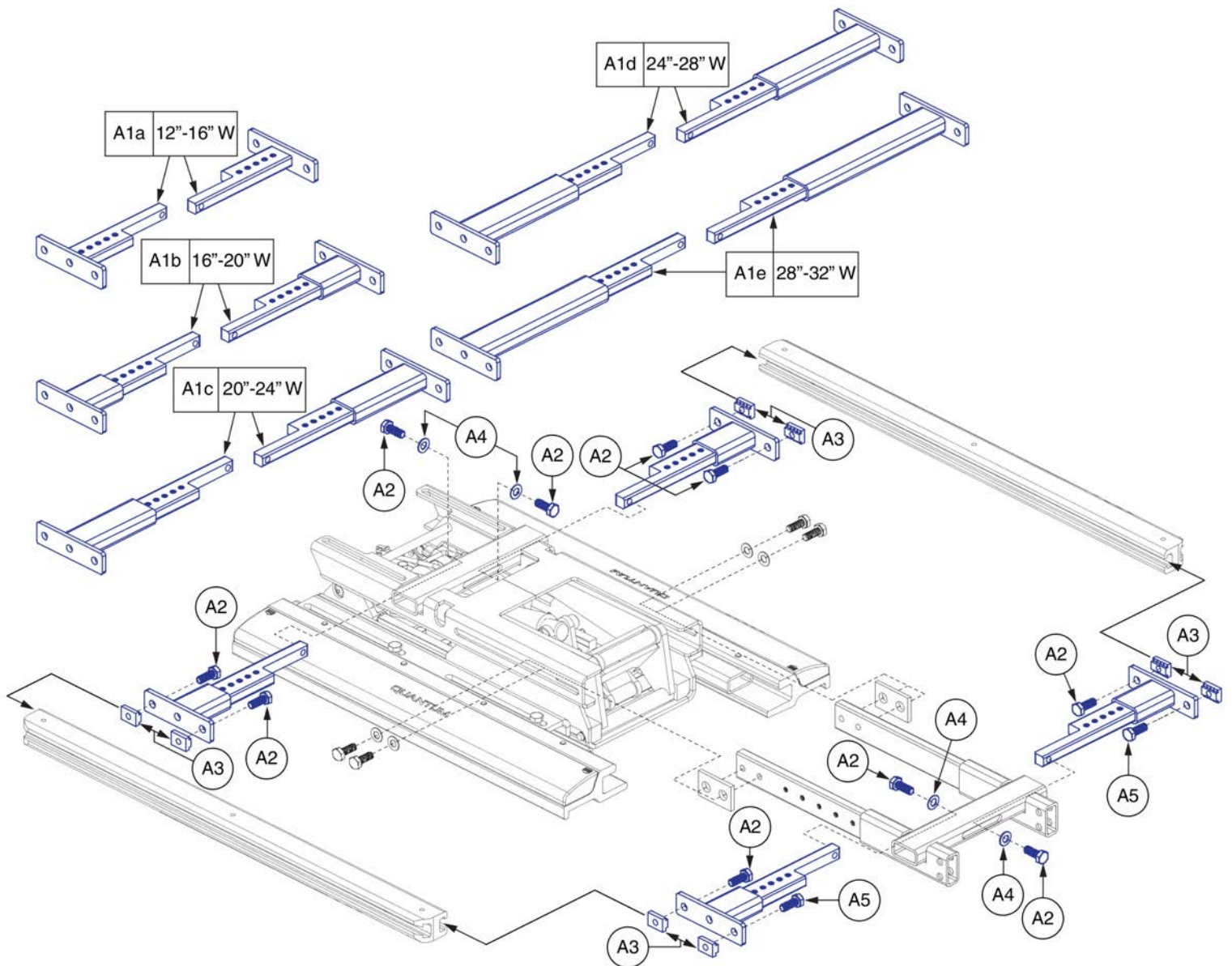
The Following Version 1 Tilt Components can still be serviced:

- Width Adjustments
- Depth Adjustments
  - Side Rails
  - Seat Pans
  - Actuator

Contact Tech Service for all other retrofit options.

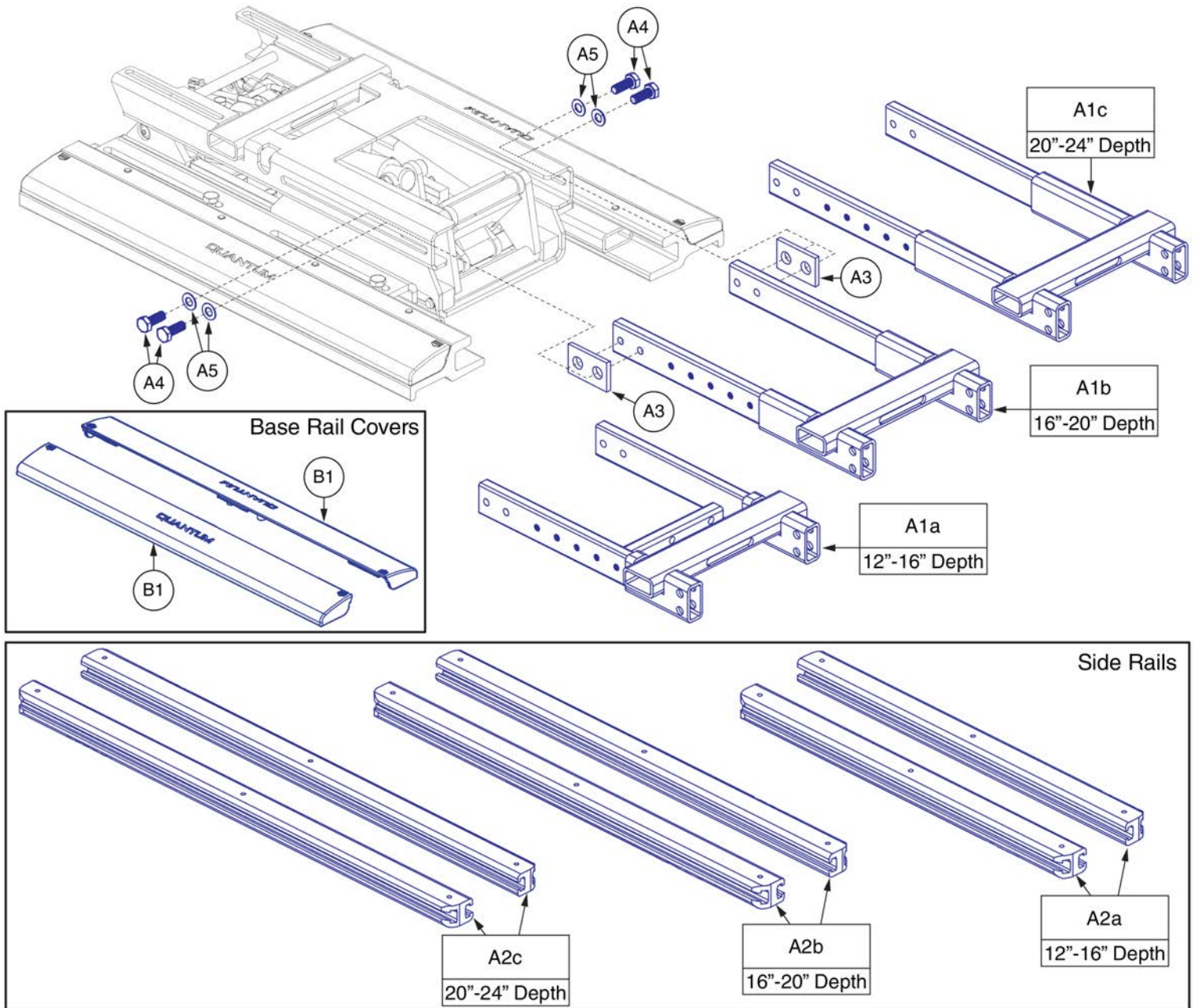
This page intentionally left blank

Tilt Components, V1 Tilt



Item	Part No.	Name	Qty
A1a - A5	SET123993	FRAME,ASSY,12"W-16"W,WIDTH ADJUSTMENT,TRU-BALANCE 3	1
A1a	MEC123467	FRAME,WIDTH ADJUSTMENT WELDMENT,12"W-16"W,TB3	4
A1b - A5	SET123994	FRAME,ASSY,16"W-20"W,WIDTH ADJUSTMENT,TRU-BALANCE 3	1
A1b	MEC123468	FRAME,WIDTH ADJUSTMENT WELDMENT,16"W-20"W,TB3	4
A1c - A5	SET123995	FRAME,ASSY,20"W-24"W,WIDTH ADJUSTMENT,TRU-BALANCE 3	1
A1c	MEC123469	FRAME,WIDTH ADJUSTMENT WELDMENT,20"W-24"W,TB3	4
A1d - A5	SET123996	FRAME,ASSY,24"W-28"W,WIDTH ADJUSTMENT,TRU-BALANCE 3	1
A1d	MEC123472	FRAME,WIDTH ADJUSTMENT WELDMENT,24"W-28"W,TB3	4
A1e - A5	SET123997	FRAME,ASSY,28"W-32"W,WIDTH ADJUSTMENT,TRU-BALANCE 3	1
A1e	MEC123473	FRAME,WIDTH ADJUSTMENT WELDMENT,28"W-32"W,TB3	4
A2	SCRHHCS1412	SCREW, HEX HEAD, M8X1.25 X 16, ISO 4014, CL 10.9, BZ, PVTP	10
A3	NUT8120005	NUT,T-SLOT,BLACK,M8-1.25	8
A4	WASMETR1010	WASHER,FLAT,BLACK ZINC,8.4MM ID X 16MM OD X 1.6MM THK,ISO 7089	4
A5	SCRHHCS1727	SCREW,HHCS,BLACK ZINC,M8-1.25 X 20MM,GRADE 10.9,W/NYLON PATCH,C-1005-098	2

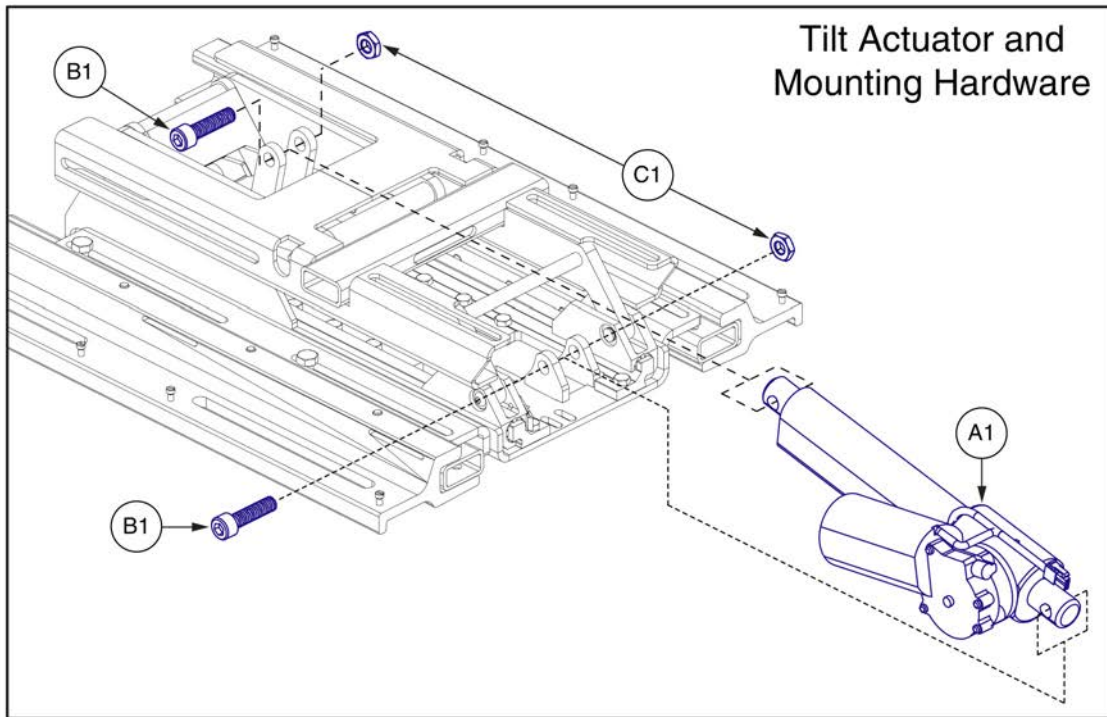
Tilt Components, V1 Tilt



Item	Part No.	Name	Qty
A1a - A5	SET131613	FRAME,ASSY,12"D-16"D,DEPTH ADJUSTMENT,TRU-BALANCE 3	1
A1a	MEC123483	FRAME,DEPTH ADJUSTMENT WELDMENT,12"D-16"D SEAT OR 14"D-16"D TILT,TRU-BALANCE 3	1
A2a	SET123690	SEAT FRAME,SIDE RAIL,12"D-16"D,TRU-BALANCE 3 TILT,TRU-BALANCE 3	2
A1b - A5	SET131614	FRAME,ASSY,16"D-20"D,DEPTH ADJUSTMENT,TRU-BALANCE 3	1
A1b	MEC124694	FRAME,DEPTH ADJUSTMENT WELDMENT,16"D-20"D SEAT & TILT,TRU-BALANCE 3	1
A2b	SET123691	SEAT FRAME,SIDE RAIL,16"D-20"D,TRU-BALANCE 3	2
A1c - A5	SET131615	FRAME,ASSY,20"D-24"D,DEPTH ADJUSTMENT,TRU-BALANCE 3	1
A1c	MEC123485	FRAME,DEPTH ADJUSTMENT WELDMENT,24"D-28"D SEAT OR 20"D-24"D TILT,TRU-BALANCE 3	1
A2c	SET123692	SEAT FRAME,SIDE RAIL,20"D-24"D,TRU-BALANCE 3	2
A3	MEC130717	TILT FRONT INTERFACE SPACER,TRU-BALANCE 3	2
A4	SCRHHCS1296	SCREW,HHCS,BLACK ZINC,M8-1.25 X 25MM,GRADE 10.9,W/NYLON PATCH	4
A5	WASMETR1010	WASHER,FLAT,BLACK ZINC,8.4MM ID X 16MM OD X 1.6MM THK,ISO 7089	4
B1	DGN123649	COVER,SIDE RAIL,PLASTIC,TRU-BALANCE 3 TILT	2

Tilt Components, V1 Tilt

The Complete Version 1 Tilt Assy has been discontinued and is no longer available for replacement.  
The Actuator and it's mounting hardware can still be serviced.  
Contact Tech Service for all other retrofit options.







Item	Part No.	Name	Qty
A1	MOT136738	ACTUATOR, 100MM STROKE, 6000N, TB3 TILT HD, (REAC:94UE1FB1)	1
B1	HDW120017	SCREW, SOCKET HEAD, M10X1.25 X 40, ISO 4762 CL 12.9, BZ	2
C1	HDW122654	NUT, JAM, BLACK ZINC, M10-1.25, CLASS 4	2

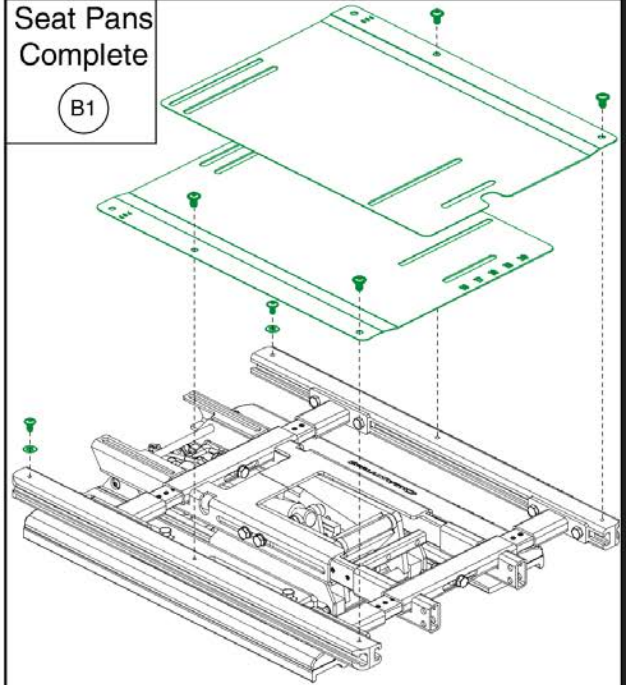
Tilt Components, Occupied Transit, V1 Tilt

**Notes:**

- The Version 1 Tilt Assy's has been discontinued and is no longer available for replacement.
- Only Serviceable components contain callouts.
- Contact Tech Service for all other replacement options.

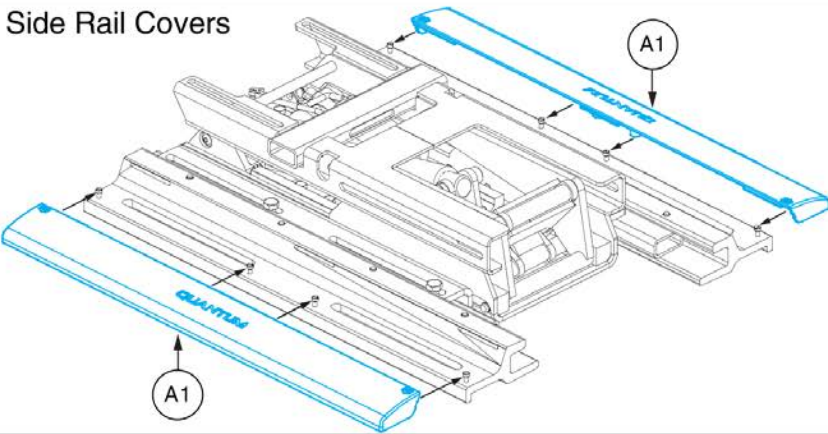
Seat Pans Complete

(B1)

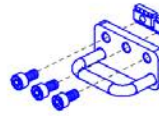


Side Rail Covers

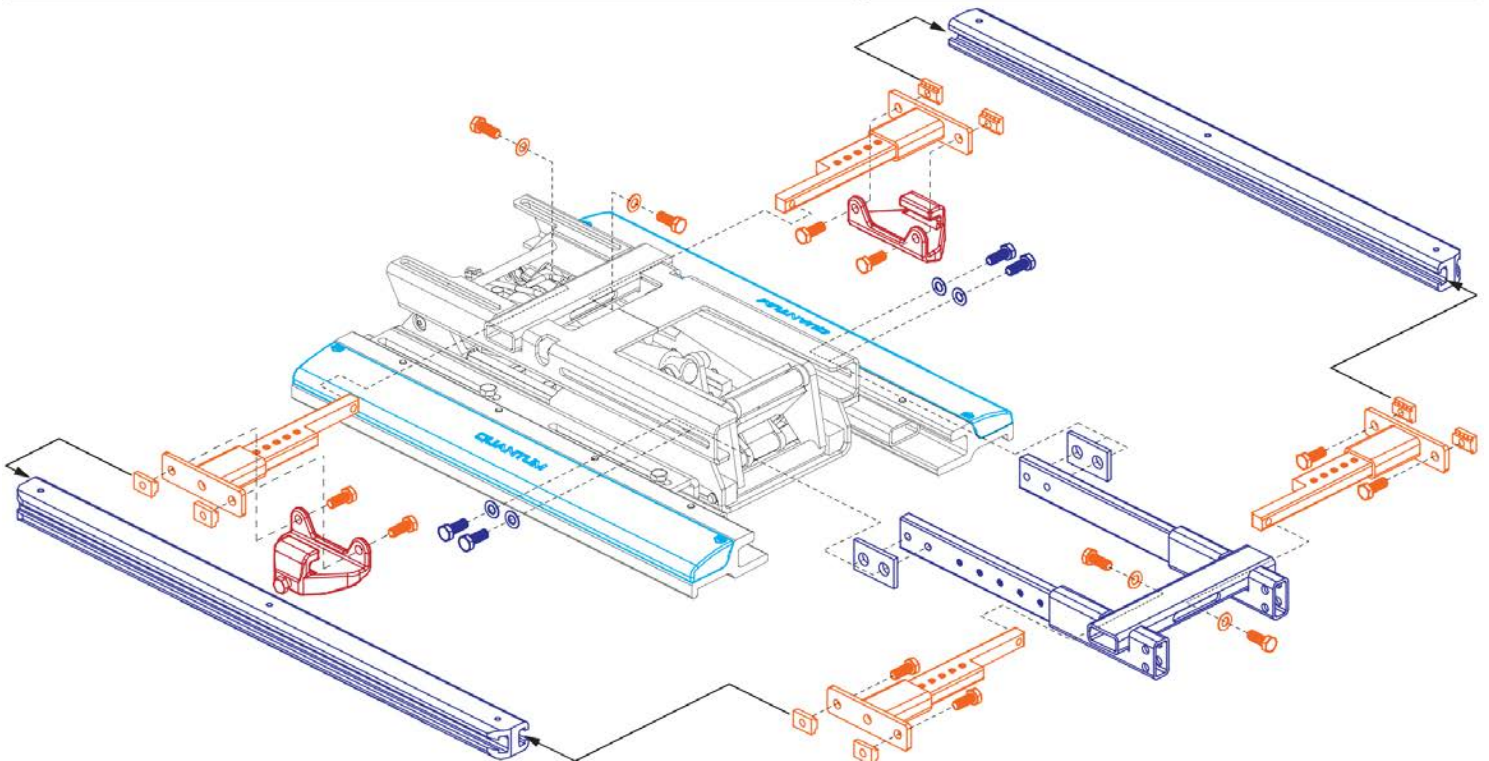
(A1)



Transit Loops



The left side mounting mirrors the right side.

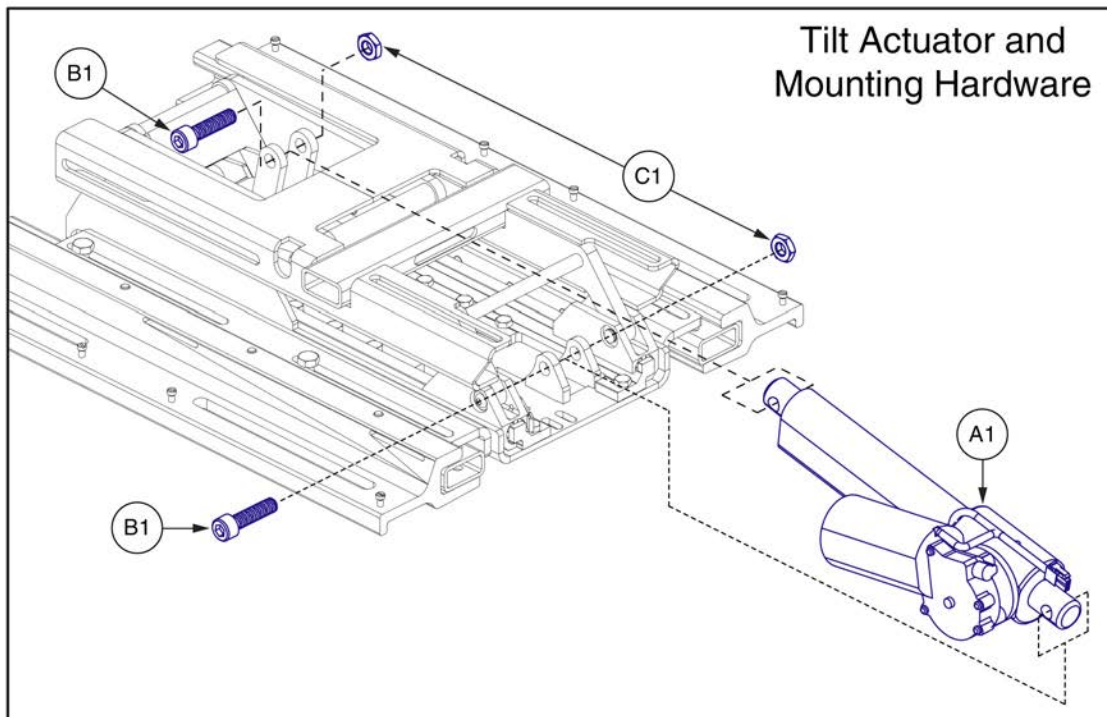




Item	Part No.	Name	Qty
A1	DGN123649	COVER,SIDE RAIL,PLASTIC,TRU-BALANCE 3 TILT	2
B1	SET124001	SEAT PAN,16"W-20"W,16"D-20"D,TRU-BALANCE 3,PAIR	1

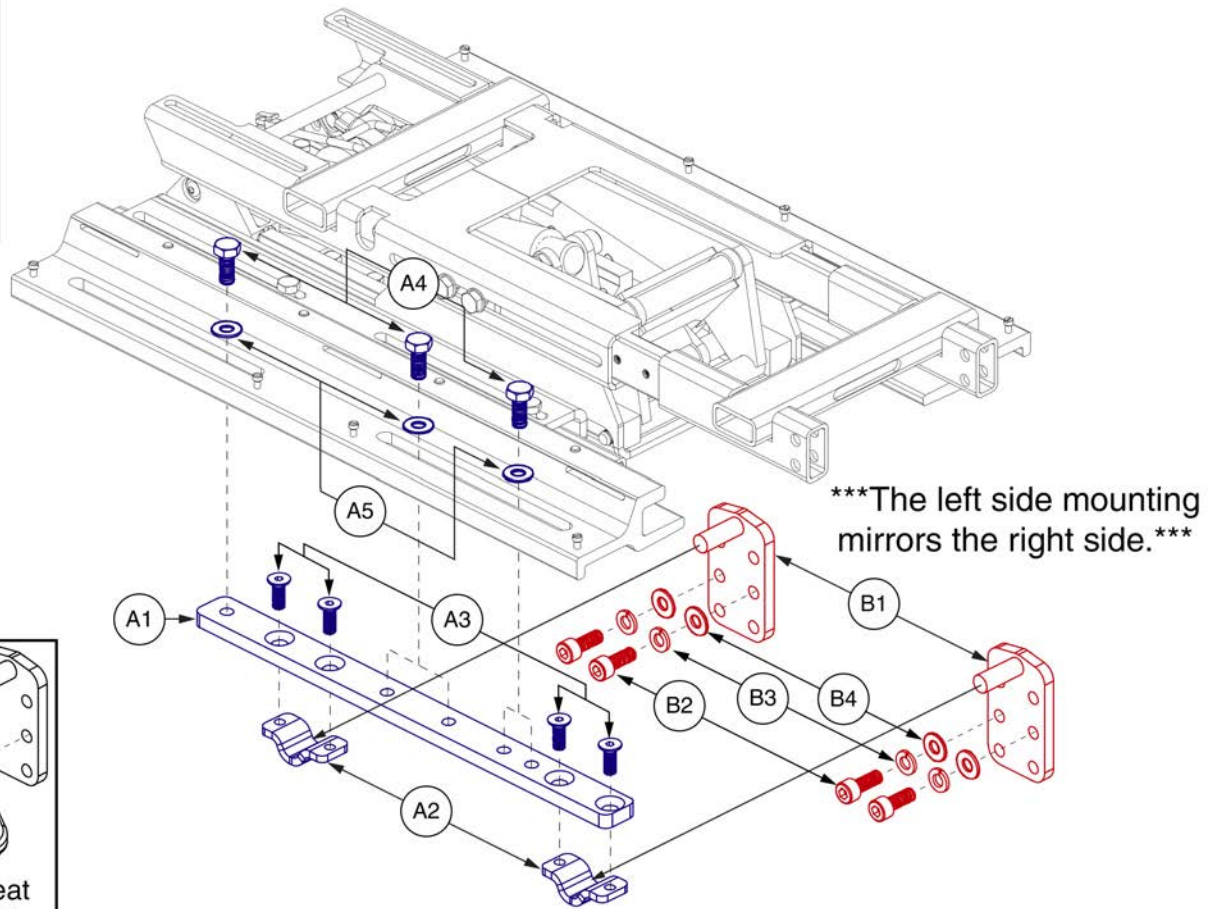
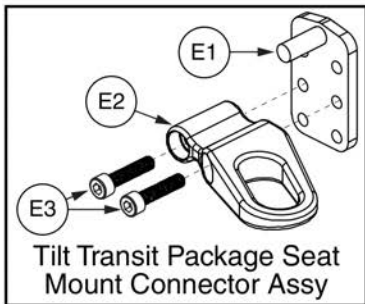
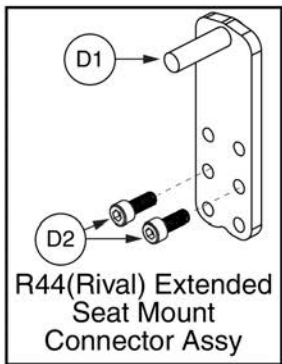
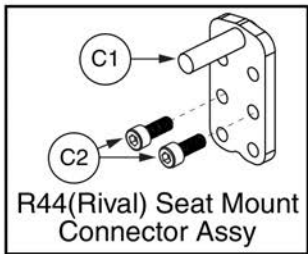
*Tilt Components, Occupied Transit, V1 Tilt*

The Complete Version 1 Tilt Assy has been discontinued and is no longer available for replacement.  
The Actuator and it's mounting hardware can still be serviced.  
Contact Tech Service for all other retrofit options.



Item	Part No.	Name	Qty
A1	MOT136738	ACTUATOR, 100MM STROKE, 6000N, TB3 TILT HD, (REAC:94UE1FB1)	1
B1	HDW120017	SCREW, SOCKET HEAD, M10X1.25 X 40, ISO 4762 CL 12.9, BZ	2
C1	HDW122654	NUT, JAM, BLACK ZINC, M10-1.25, CLASS 4	2

Seat Towers Interface

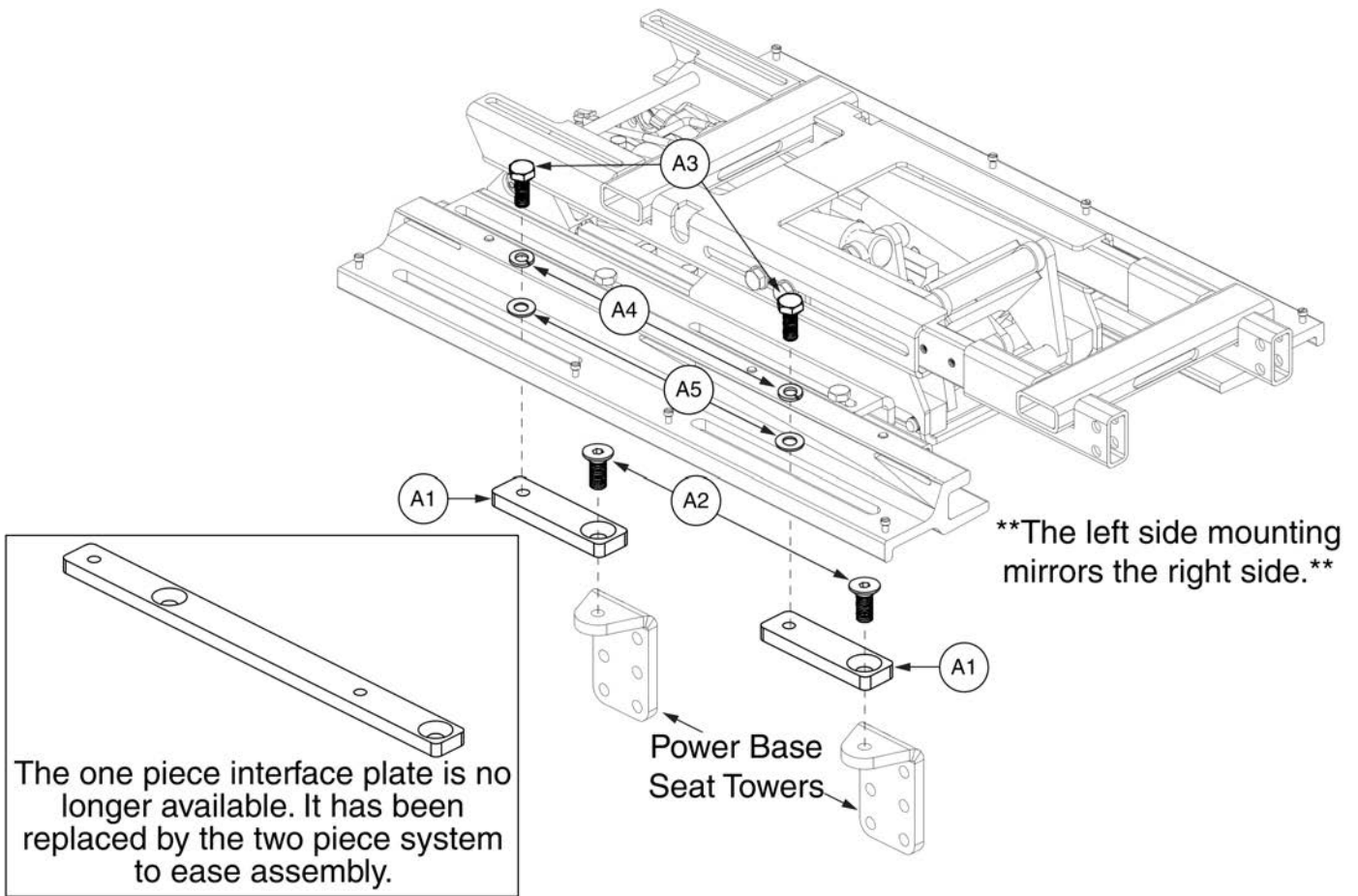


# Angle Adjustable Tower Interfaces, TB3



Item	Part No.	Name	Qty
A1 - A5	HDW145339	HARDWARE,ASSY,ANGLE ADJUSTABLE,TRU-BALANCE 3	2
A1	MEC145322	INTERFACE SLIP PLATE,ISO	1
A2	MEC131180	SEATING INTERFACE CLAMP,TRU-BALANCE 3	2
A3	SCRSHFH1203	SCREW,FLAT HEAD,M8X1.25 X 20,10.9,BZ	4
A4	HDW120048	SCREW,HHCS,BLACK ZINC,M10-1.5 X 20MM,GR 10.9,W/PATCH	3
A5	WASMETR1031	WASHER,FLAT,10.5 ID X 20 OD X 2 THK,BZ	3
B1 - B4	MEC133591	SEAT MOUNT CONNECTOR,ASSY,TB3 TILT,METRIC	4
B1	MEC131182	MOUNTING BRACKET,SEAT INTERFACE,TRU-BALANCE 3	1
B2	SCR8110003	SCREW, SOCKET HEAD, M10X1.5 X 25, ISO 4762, CL 12.9, BZ, PVTP	2
B3	WASLOCK1094	WASHER, LOCK, 10.7 ID X 18.1 OD X 2.0 THK, DIN 127B, BZ	2
B4	WASMETR1031	WASHER,FLAT,10.5 ID X 20 OD X 2 THK,BZ	2
C1 - C2	MEC132769	FRAME,ASSY,SEAT INTERFACE,QUANTUMR44,TRU-BALANCE 3,W/MOUNTING HARDWARE	4
C1	MEC137840	SEATING INTERFACE BRACKET,ANGLE ADJUSTABLE	1
C2	SCRSHCS1340	SCREW,SHCS,BLACK ZINC,M10-1.5 X 20MM,GR 10.9,W/PATCH	2
D1 - D2	MEC154716	FRAME,ASSY,SEAT INTERFACE,TB3 EXTENDED,QUANTUMR44,W/MOUNTING HARDWARE	4
D1	MEC152567	SEATING INTERFACE BRACKET R44,ANGLE ADJUSTABLE,137MM	1
D2	SCRSHCS1340	SCREW,SHCS,BLACK ZINC,M10-1.5 X 20MM,GR 10.9,W/PATCH	2
E1 - E3	MEC131902	SEAT MOUNT CONNECTOR,ASSY,TB3 TILT,TRANSIT PACKAGE,METRIC	1
E1	MEC131182	MOUNTING BRACKET,SEAT INTERFACE,TRU-BALANCE 3	4
E2	MEC142133	MOUNTING BRACKET,ASSY,UNIVERSAL TRANSIT SECUREMENT LOOP W/DECALS	4
E3	HDW142810	SCREW, SOCKET HEAD, M10 X 50, ISO 4762, CL 12.9, BZ, PVTP	8

Seat Towers Interface



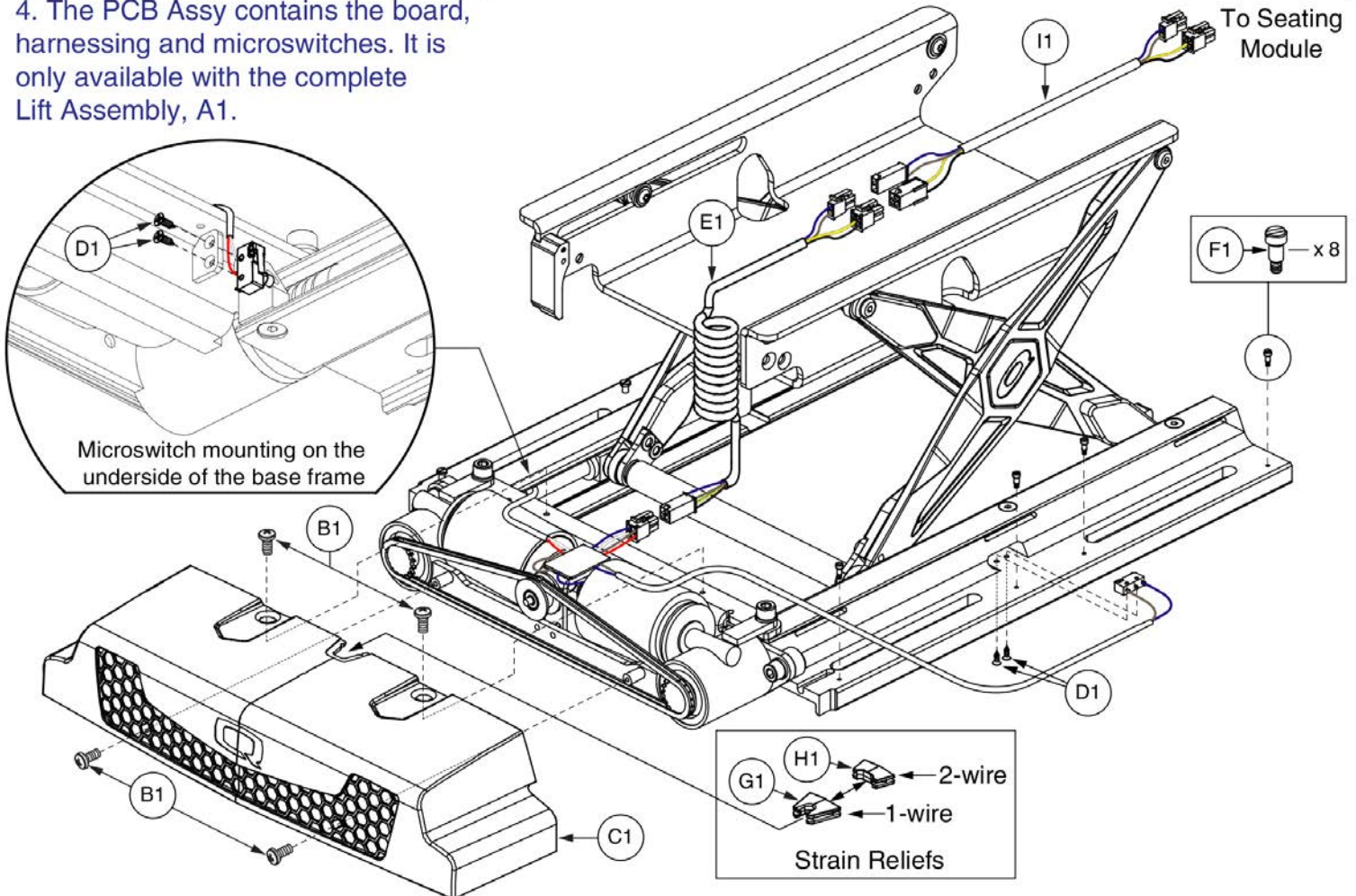
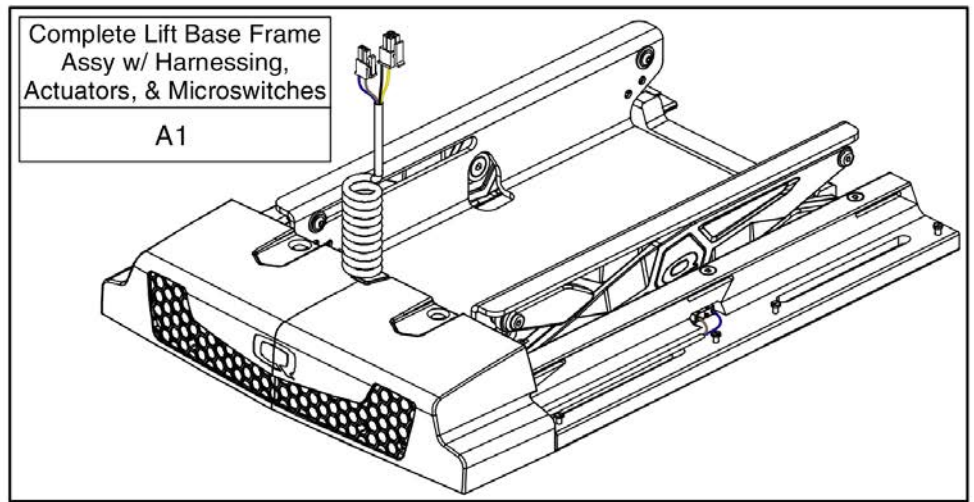


Item	Part No.	Name	Qty
A1 - A5	HDW131889	HARDWARE,ASSY,FIXED,TRU-BALANCE 3	2
A1	MEC123948	INTERFACE PLATE	2
A2	HDW136557	SCREW,SHFH,M10-1.5 X 16MM,CLASS 10.9,BLACK ZINC,PATCH	2
A3	SCRHHCS1402	SCREW,HHCS,BLACK ZINC,M10-1.5 X 25MM,10.9,	2
A4	WASLOCK1094	WASHER, LOCK, 10.7 ID X 18.1 OD X 2.0 THK, DIN 127B, BZ	2
A5	WASMETR1031	WASHER,FLAT,10.5 ID X 20 OD X 2 THK,BZ	2

1.5. Version 1 TB3 Scissor Lift Components

\*\*\*Notes\*\*\*

1. The Lift Assy is mounted with the motors in the rearward position for units below 18"D.
2. The Lift Assy is mounted with the motors in the forward position for units 18"D and above.
3. If Actuator replacement is required, the entire Lift Assy, A1, must be selected.
4. The PCB Assy contains the board, harnessing and microswitches. It is only available with the complete Lift Assembly, A1.

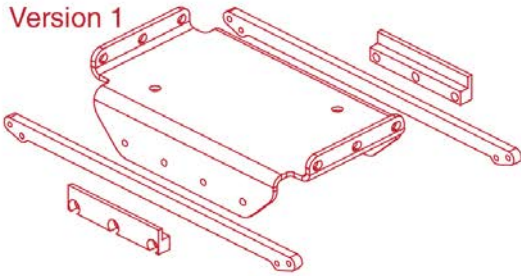


Item	Part No.	Name	Qty
A1		TRU-BALANCE 3 LIFT,ASSY,W/MICROSWITCH & ACTUATOR COVER	1
B1	SCRPPH1036	SCREW, PAN HEAD, TYPE H, M4X0.7 X 8, FT, ISO 7045, CL 4.8, BZ	4
C1	DGN122675	COVER,ACTUATOR,PLASTIC,TRU-BALANCE 3	1
D1	HDW124651	SCREW,PFH,THREAD FORMING,M2.9 X 9.5MM	4
E1		HARNESS,CURLY CABLE SHORT,TRU-BALANCE 3 LIFT	1
F1	HDW132884	SCREW,SHOULDER,SLOTTED,M3X0.5,4 OD X 6 LG	8
G1	DGN134114	LIFT MOTOR WIRING STRAIN RELIEF,TRU-BALANCE 3	1
H1	DGN139072	LIFT MOTOR WIRING STRAIN RELIEF,TWO WIRE,TRU-BALANCE 3	1
I1	ELE133304	ELECTRONIC,HARNESS,CURLY CABLE EXTENSION CABLE,FRONT MOUNTED,TRU-BALANCE 3 LIFT	1

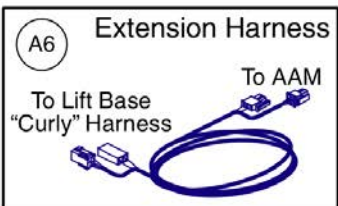
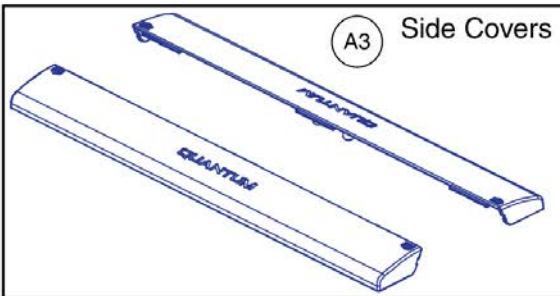
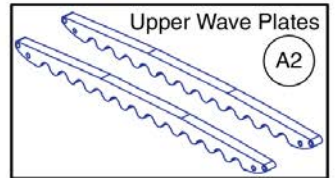
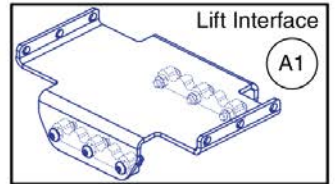
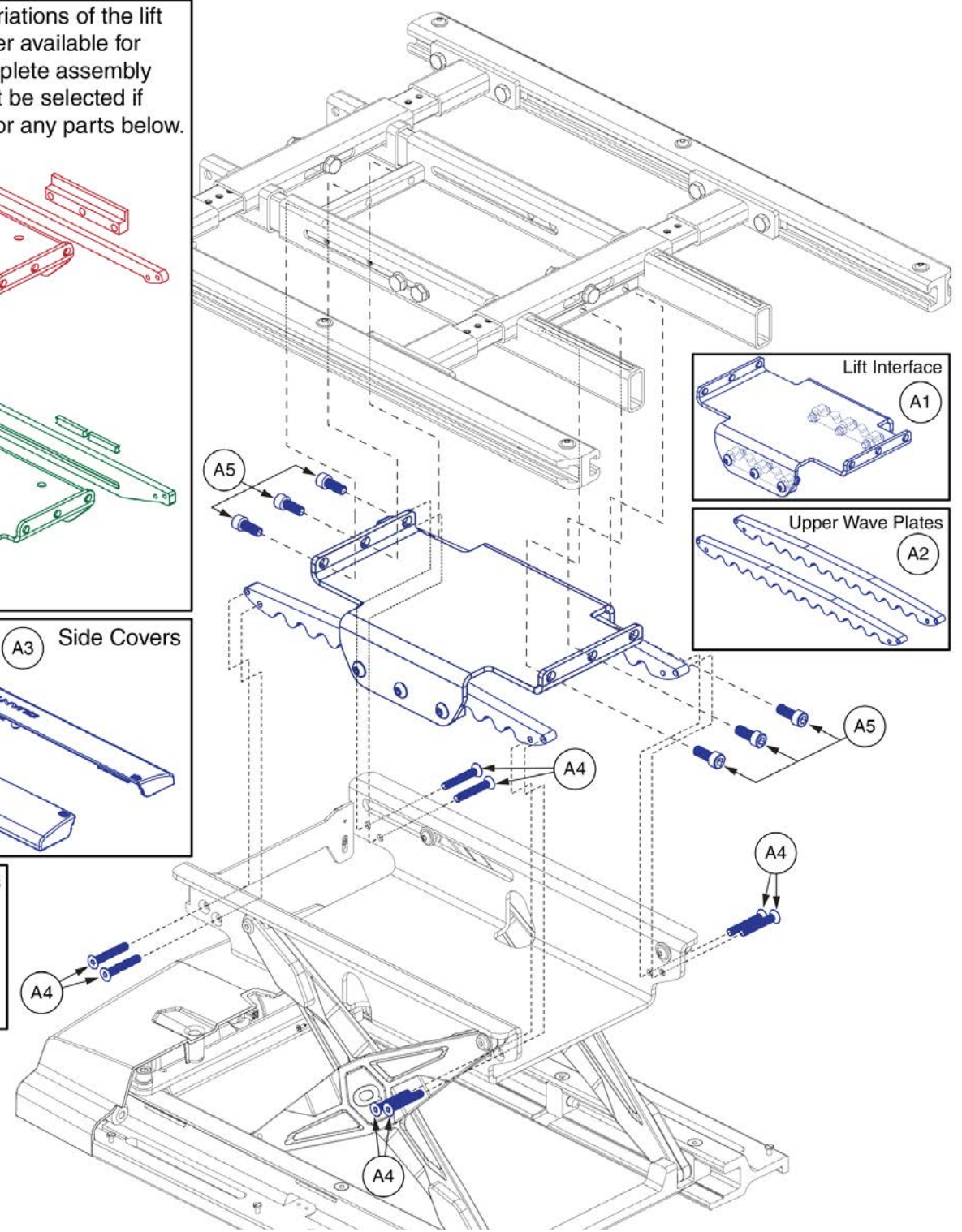
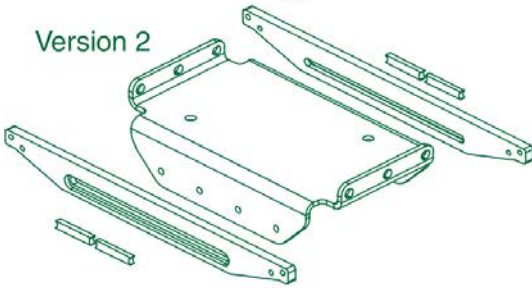
1.5. Version 1 TB3 Scissor Lift Components

The version 1 and 2 variations of the lift interface are no longer available for replacement. The complete assembly shown (A1 - A5) must be selected if replacement is required for any parts below.

Version 1



Version 2

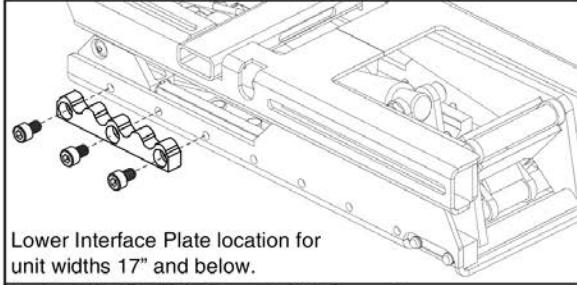


# Lift Only Interface Plate, TB3

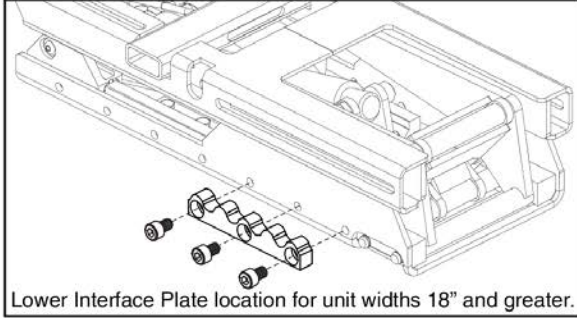


Item	Part No.	Name	Qty
A1 - A6	SET130988	SEAT PLATE,ASSY,LIFT ONLY,TRU-BALANCE 3	1
A1	MEC151584	LIFT ONLY INTERFACE ASSY,TRU BALANCE 3	1
A2	MEC151579	LIFT TO TILT INTERFACE WAVE PLATE UPPER	2
A3	DGN121687	COVER,SIDE RAIL,PLASTIC,TRU-BALANCE 3 LIFT	2
A4	SCRSHFH1023	SCREW,SHFH,M6-1.0 X 30MM	8
A5	HDW125250	SCREW, SOCKET HEAD, M8X1.25 X 20, ISO 4762, CL 12.9, BZ, PVTP	6
A6	ELE133304	ELECTRONIC,HARNESS,CURLY CABLE EXTENSION CABLE,FRONT MOUNTED,TRU-BALANCE 3 LIFT	1

### 1.5. Version 1 TB3 Scissor Lift Components

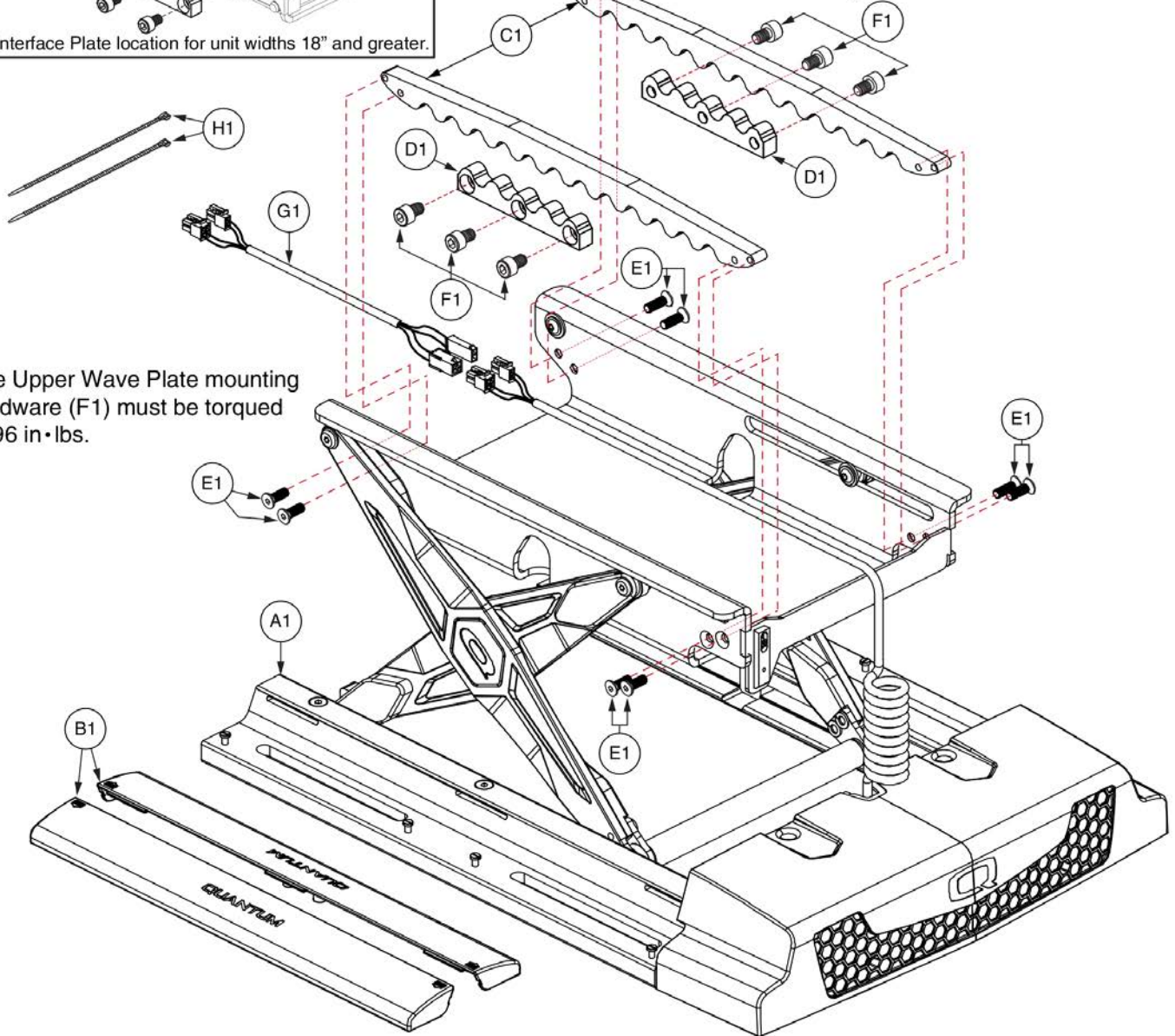
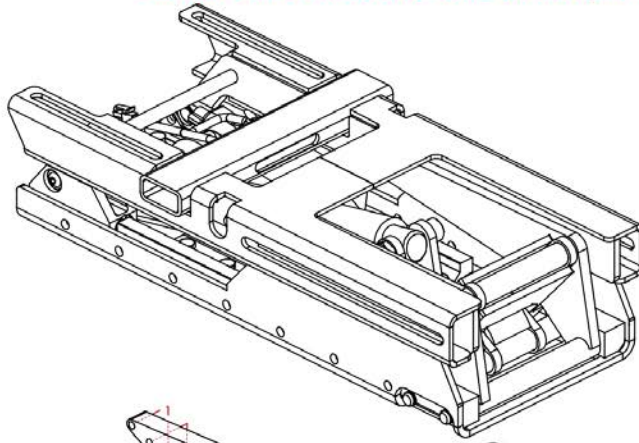


Lower Interface Plate location for unit widths 17" and below.



Lower Interface Plate location for unit widths 18" and greater.

The Version 1 Tilt Assy has been discontinued and is no longer available for replacement. The Actuator and it's mounting hardware can still be serviced. Contact Tech Service for all other retrofit options.



The Upper Wave Plate mounting hardware (F1) must be torqued to 96 in•lbs.

Item	Part No.	Name	Qty
A1		TRU-BALANCE 3 LIFT,ASSY,W/MICROSWITCH & ACTUATOR COVER	1
B1	DGN121687	COVER,SIDE RAIL,PLASTIC,TRU-BALANCE 3 LIFT	2
C1	MEC151579	LIFT TO TILT INTERFACE WAVE PLATE UPPER	2
D1	MEC151582	INTERFACE WAVE PLATE LOWER	2
E1	HDW131752	SCREW,SHFH,BLACK ZINC,M6-1.0 X 20MM,GRADE 12.9,W/NYLON PATCH	8
F1	HDW133071	SCREW,SHCS,M8-1 X 12MM,CLASS 12.9,W/PATCH	6
G1	ELE133304	ELECTRONIC,HARNESS,CURLY CABLE EXTENSION CABLE,FRONT MOUNTED,TRU-BALANCE 3 LIFT	1
H1	PLSTIE1004	TIE WRAP,BLACK,8"	2

1.5. Version 1 TB3 Scissor Lift Components

<p>16"D</p>	<p>17"D</p>
<p>**The 18"D assy requires the back be mounted 1" forward.**</p>	
<p>18"D</p>	<p>19"D</p>
<p>20"D</p>	<p>21"D</p>
<p>22"D</p>	<p>1. For units with "Standard" Riggings, the Depth Weldment Marker will be flush with the interface notch.</p> <p>Interface Notch</p>
<p>23"D</p>	<p>2. The centerline of the Width Adjustment Slot should align with the front of the lift frame for 18"-24" units.</p>
<p>24"D</p>	<p>16"-20" Depth Weldment Markers</p> <p>20" 19" 18" 17" 16" Width Adjustment Slot</p> <p>20"-24" Depth Weldment Markers</p> <p>24" 23" 22" 21" 20" Width Adjustment Slot</p>



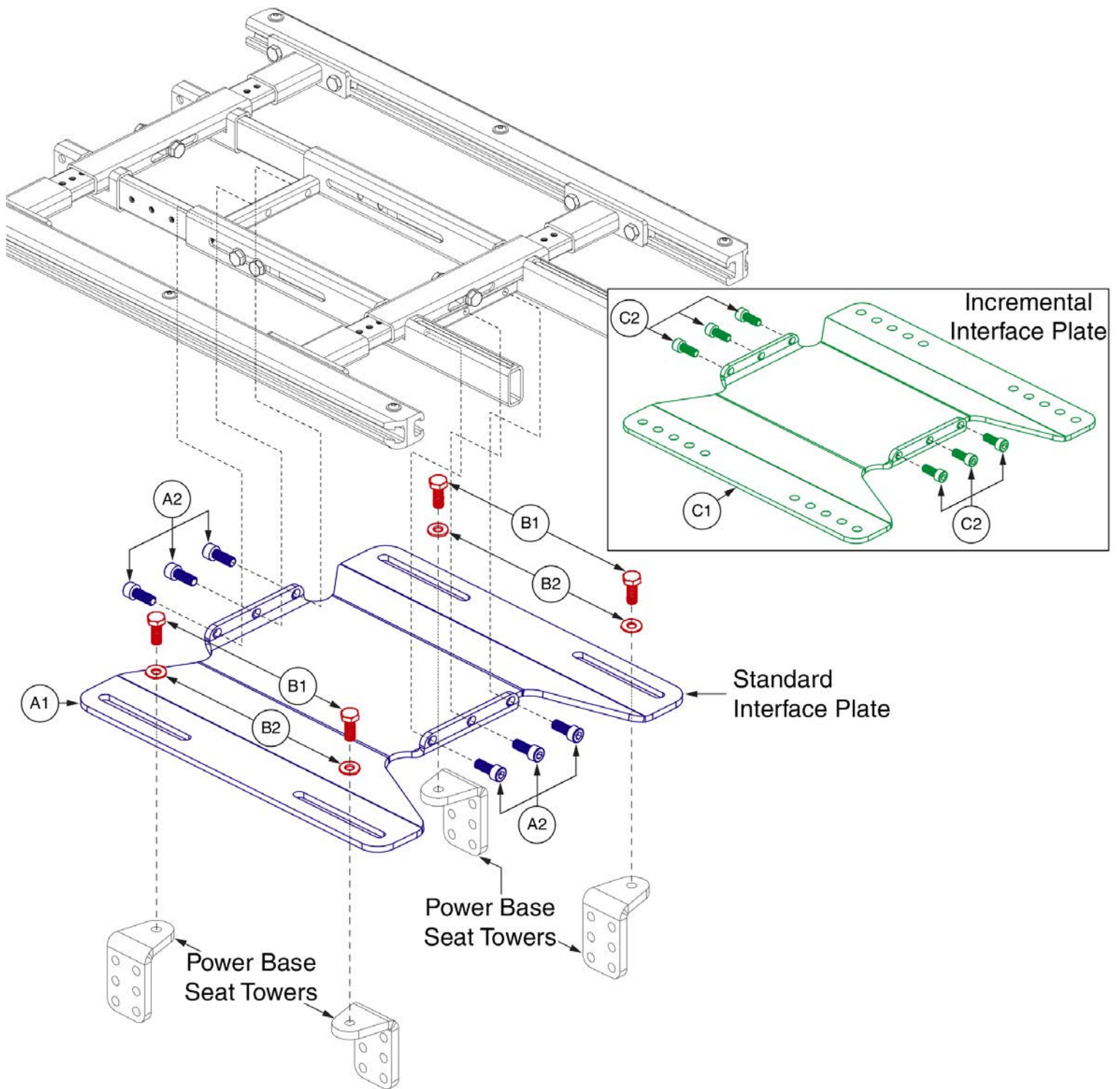
This page intentionally left blank

1.5. Version 1 TB3 Scissor Lift Components

<p>16"D</p>	<p>17"D</p>
<p>**The 18"D assy requires the back be mounted 1" forward.**</p> <p>18"D</p>	<p>19"D</p>
<p>20"D</p>	<p>21"D</p>
<p>22"D</p>	<p>1. For units with an AFP or a Centermount Foot Platform, the Depth Weldment Marker will be on the outside of the tilt frame past the interface notch.</p> <p>Interface Notch</p>
<p>23"D</p>	<p>2. The rear of the Width Adjustment Slot should align with the front of the lift frame for 18"-24" units.</p> <p>16"-20" Depth Weldment Markers</p> <p>20" 19" 18" 17" 16" Width Adjustment Slot</p>
<p>24"D</p>	<p>20"-24" Depth Weldment Markers</p> <p>24" 23" 22" 21" 20" Width Adjustment Slot</p>

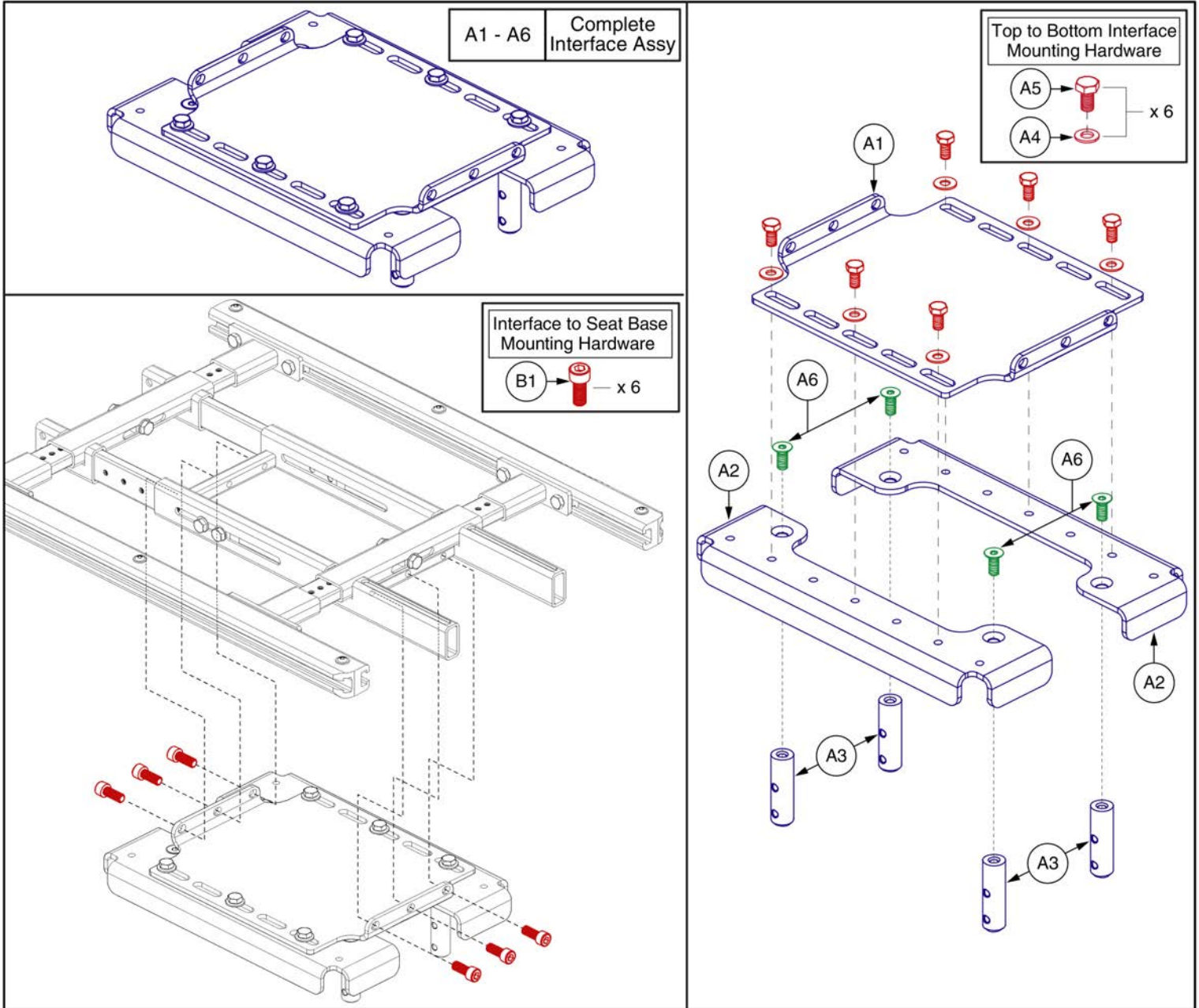
This page intentionally left blank

2.1. Seat Only



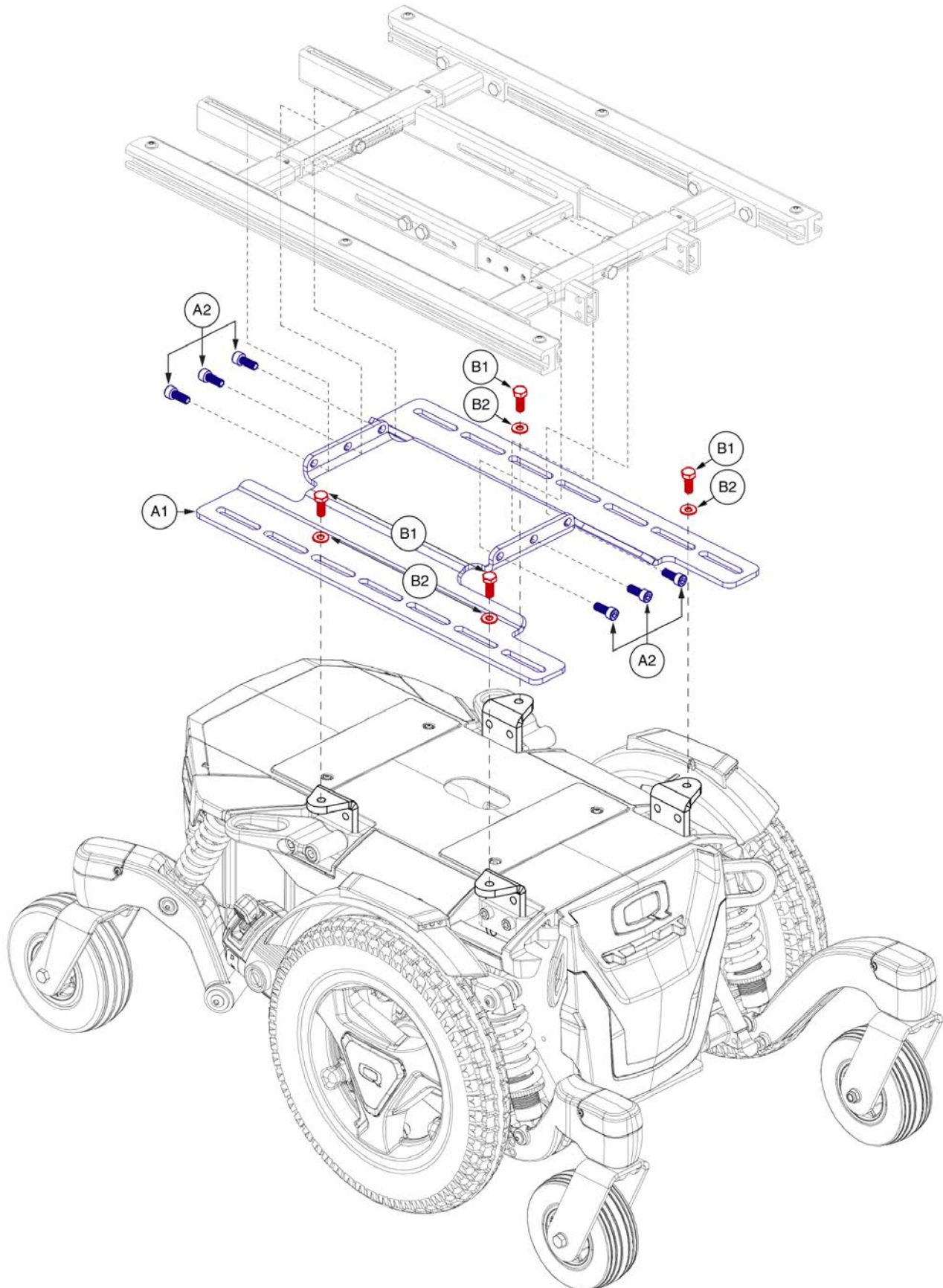
Item	Part No.	Name	Qty
A1 - A2	SET130989	SEAT PLATE,ASSY,SEAT ONLY,TRU-BALANCE 3	1
A1	SET123665	FRAME,BASE INTERFACE,SEAT ONLY,TRU-BALANCE 3	1
A2	HDW125250	SCREW, SOCKET HEAD, M8X1.25 X 20, ISO 4762, CL 12.9, BZ, PVTP	6
B1 - B2	HDW136696	HARDWARE,ASSY,FIXED,SEAT ONLY,TRU-BALANCE 3	2
B1	HDW120048	SCREW,HHCS,BLACK ZINC,M10-1.5 X 20MM,GR 10.9,W/PATCH	2
B2	WASMETR1031	WASHER,FLAT,10.5 ID X 20 OD X 2 THK,BZ	2
C1 - C2	SET142535	SEAT PLATE,ASSY,SEAT ONLY,ISO,TRU-BALANCE 3	1
C1	MEC140969	TB3 INCREMENTAL SEAT ONLY INTERFACE	1
C2	HDW125250	SCREW, SOCKET HEAD, M8X1.25 X 20, ISO 4762, CL 12.9, BZ, PVTP	6

2.1. Seat Only



Item	Part No.	Name	Qty
A1 - A6	SET1711139	SEAT PLATE,ASSY,SEAT ONLY,TRU-BALANCE 3,J6	1
A1	MEC1710813	SEAT ONLY INTERFACE, TOP, TRU-BALANCE 3, J6	1
A2	MEC1710812	SEAT ONLY INTERFACE, BOTTOM, TRU-BALANCE 3, J6	2
A3	MEC1710811	UPRIGHT BAR, 2 HOLE	4
A4	WASMETR1136	WASHER, FLAT, BLACK, 8.2MM ID X 19MM OD X 1.4MM TH	6
A5	SCRHHCS1412	SCREW, HEX HEAD, M8X1.25 X 16, ISO 4014, CL 10.9, BZ, PVTP	6
A6	SCRSHFH1203	SCREW, FLAT HEAD, M8X1.25 X 20, 10.9, BZ	4
B1	HDW125250	SCREW, SOCKET HEAD, M8X1.25 X 20, ISO 4762, CL 12.9, BZ, PVTP	6

2.1. Seat Only



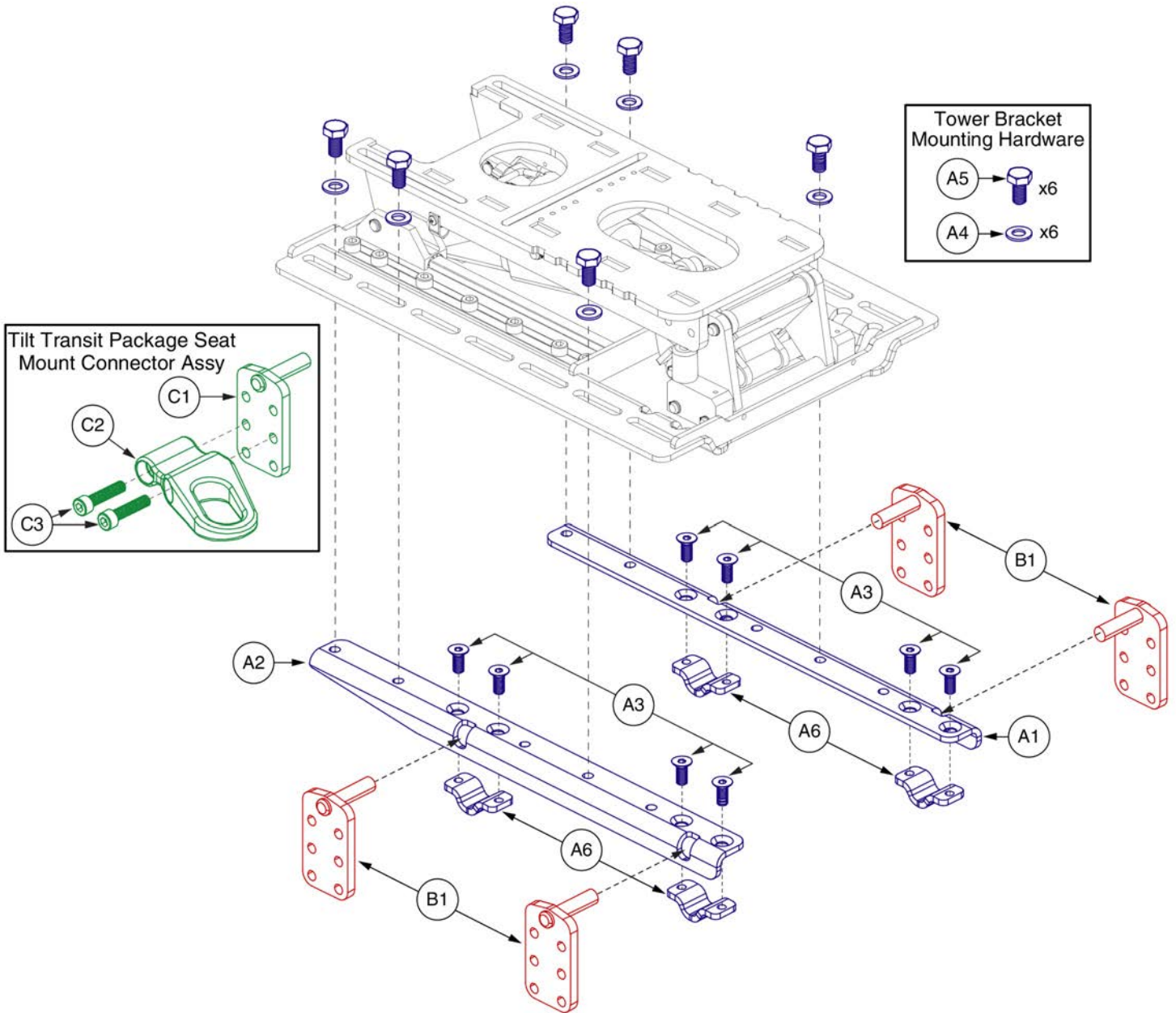


## Q6 Edge 3 Stretto Seat Only Interface, TB3



Item	Part No.	Name	Qty
A1 - A2	SET1906759	SEAT PLATE,ASSY,SEAT ONLY,TRU-BALANCE 3,STRETTO	1
A1	MEC1808717	TB3 STATIC INTERFACE PLATE EDGE MINI	1
A2	HDW125250	SCREW, SOCKET HEAD, M8X1.25 X 20, ISO 4762, CL 12.9, BZ, PVTP	6
B1 - B2	HDW136696	HARDWARE,ASSY,FIXED,SEAT ONLY,TRU-BALANCE 3	2
B1	HDW120048	SCREW,HHCS,BLACK ZINC,M10-1.5 X 20MM,GR 10.9,W/PATCH	2
B2	WASMETR1031	WASHER,FLAT,10.5 ID X 20 OD X 2 THK,BZ	2

2.2. TB 3.5 Tilt

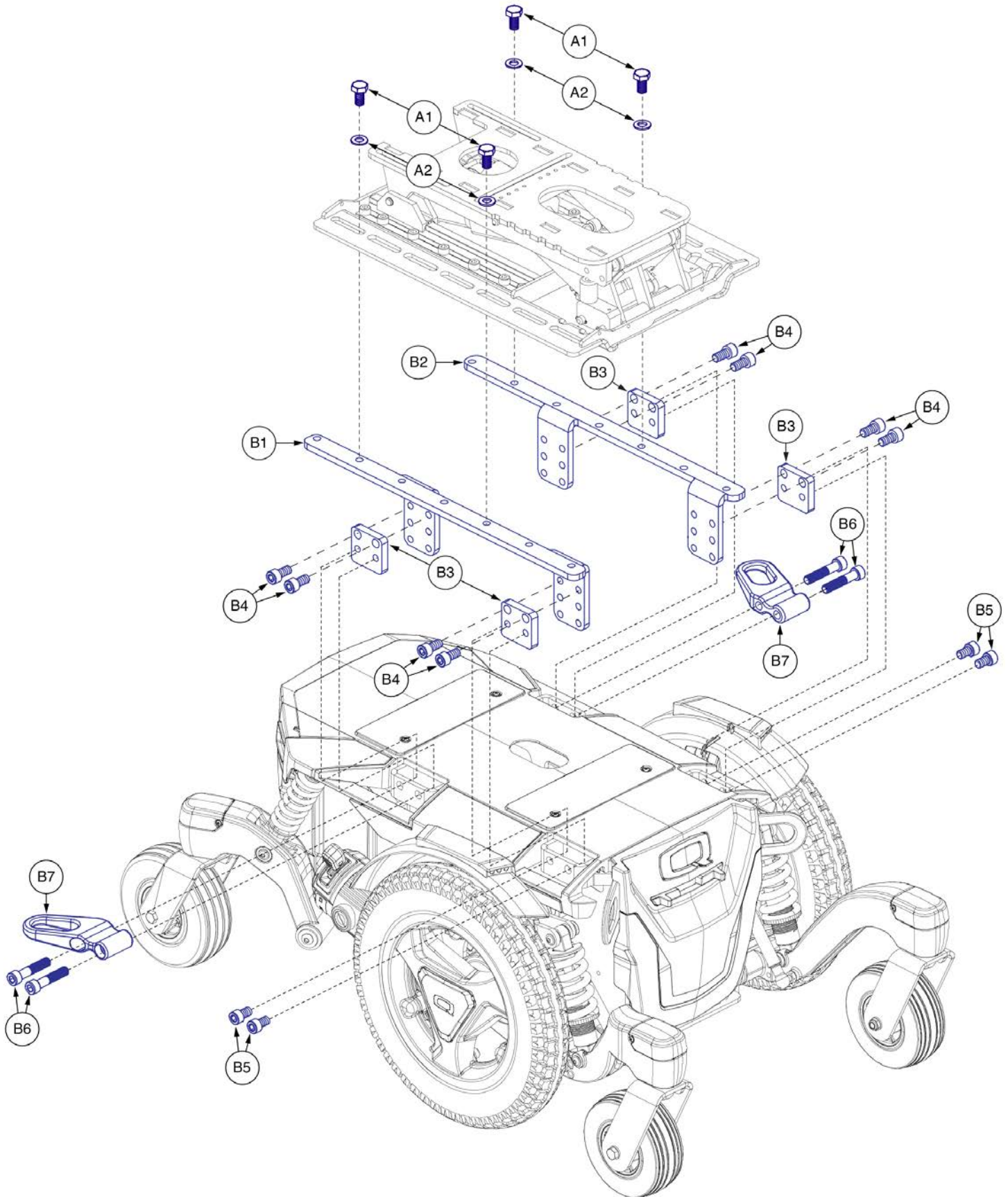


## Q6 Edge Series Tilt (TB3.5) Interface, TB3



Item	Part No.	Name	Qty
A1 - A6	HDW160459	HARDWARE,ASSY,ANGLE ADJUSTABLE,Q6EDGE,TRU-BALANCE 3.5	1
A1	MEC152366	TILT,ANGLE ADJUSTABLE TOWER BRACKET A,TRU-BALANCE 3	1
A2	MEC152432	TILT,ANGLE ADJUSTABLE TOWER BRACKET B,TRU-BALANCE 3	1
A3	HDW145729	SCREW,SHFH,M8-1.25 X 12MM,ISO 10642,CLASS 10.9,ASTM F1941M 8E BLACK,PATCH IFI-524	8
A4	WASMETR1031	WASHER,FLAT,10.5 ID X 20 OD X 2 THK,BZ	6
A5	HDW120048	SCREW,HHCS,BLACK ZINC,M10-1.5 X 20MM,GR 10.9,W/PATCH	6
A6	MEC131180	SEATING INTERFACE CLAMP,TRU-BALANCE 3	4
B1	MEC131182	MOUNTING BRACKET,SEAT INTERFACE,TRU-BALANCE 3	4
C1 - C3	MEC131902	SEAT MOUNT CONNECTOR,ASSY,TB3 TILT,TRANSIT PACKAGE,METRIC	1
C1	MEC131182	MOUNTING BRACKET,SEAT INTERFACE,TRU-BALANCE 3	4
C2	MEC142133	MOUNTING BRACKET,ASSY,UNIVERSAL TRANSIT SECUREMENT LOOP W/DECALS	4
C3	HDW142810	SCREW, SOCKET HEAD, M10 X 50, ISO 4762, CL 12.9, BZ, PVTP	8

2.2. TB 3.5 Tilt

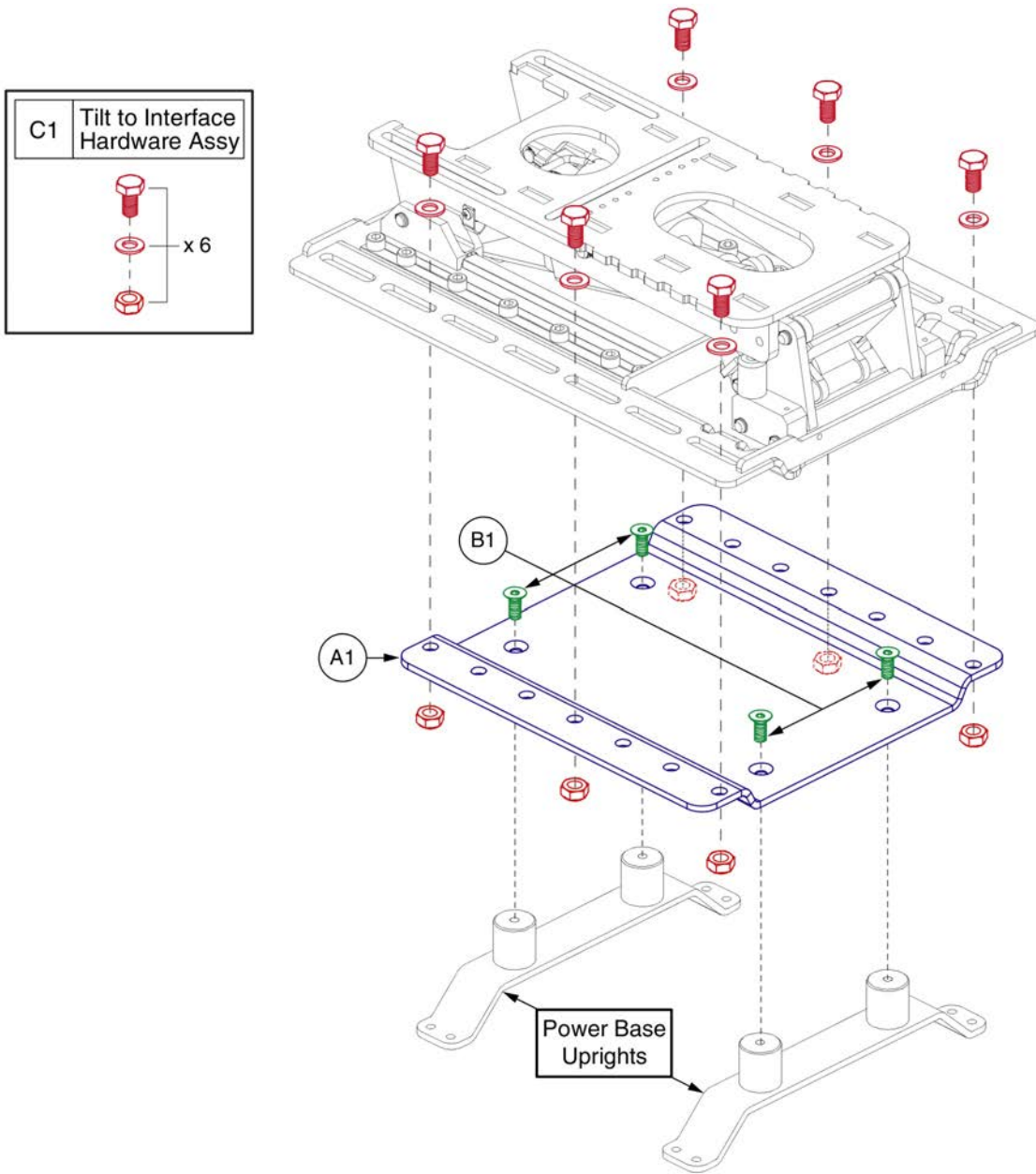


## Q6 Edge 3 Stretto Tilt (TB3.5) Interface, TB3



Item	Part No.	Name	Qty
A1 - A2	HDW136696	HARDWARE,ASSY,FIXED,SEAT ONLY,TRU-BALANCE 3	2
A1	HDW120048	SCREW,HHCS,BLACK ZINC,M10-1.5 X 20MM,GR 10.9,W/PATCH	2
A2	WASMETR1031	WASHER,FLAT,10.5 ID X 20 OD X 2 THK,BZ	2
B1 - B7	MEC1900195	SEAT INTERFACE,ASSY,TB3.5 TILT,EDGE MINI	1
B1	MEC1809730	EDGE MINI TB3.5 TILT BRACKET, RIGHT	1
B2	MEC1809731	EDGE MINI TB3.5 SEATING INTERFACE, LEFT	1
B3	MEC1808718	TB3 TILT SPACER, EDGE MINI	4
B4	SCRSHCS1340	SCREW,SHCS,BLACK ZINC,M10-1.5 X 20MM,GR 10.9,W/PATCH	8
B5	HDW133681	SCREW, SOCKET HEAD, M10X1.5 X 16, ISO 4762, CL 12.9, BZ, PVTP	4
B6	HDW142810	SCREW, SOCKET HEAD, M10 X 50, ISO 4762, CL 12.9, BZ, PVTP	4
B7	MEC142133	MOUNTING BRACKET,ASSY,UNIVERSAL TRANSIT SECUREMENT LOOP W/DECALS	2

2.2. TB 3.5 Tilt

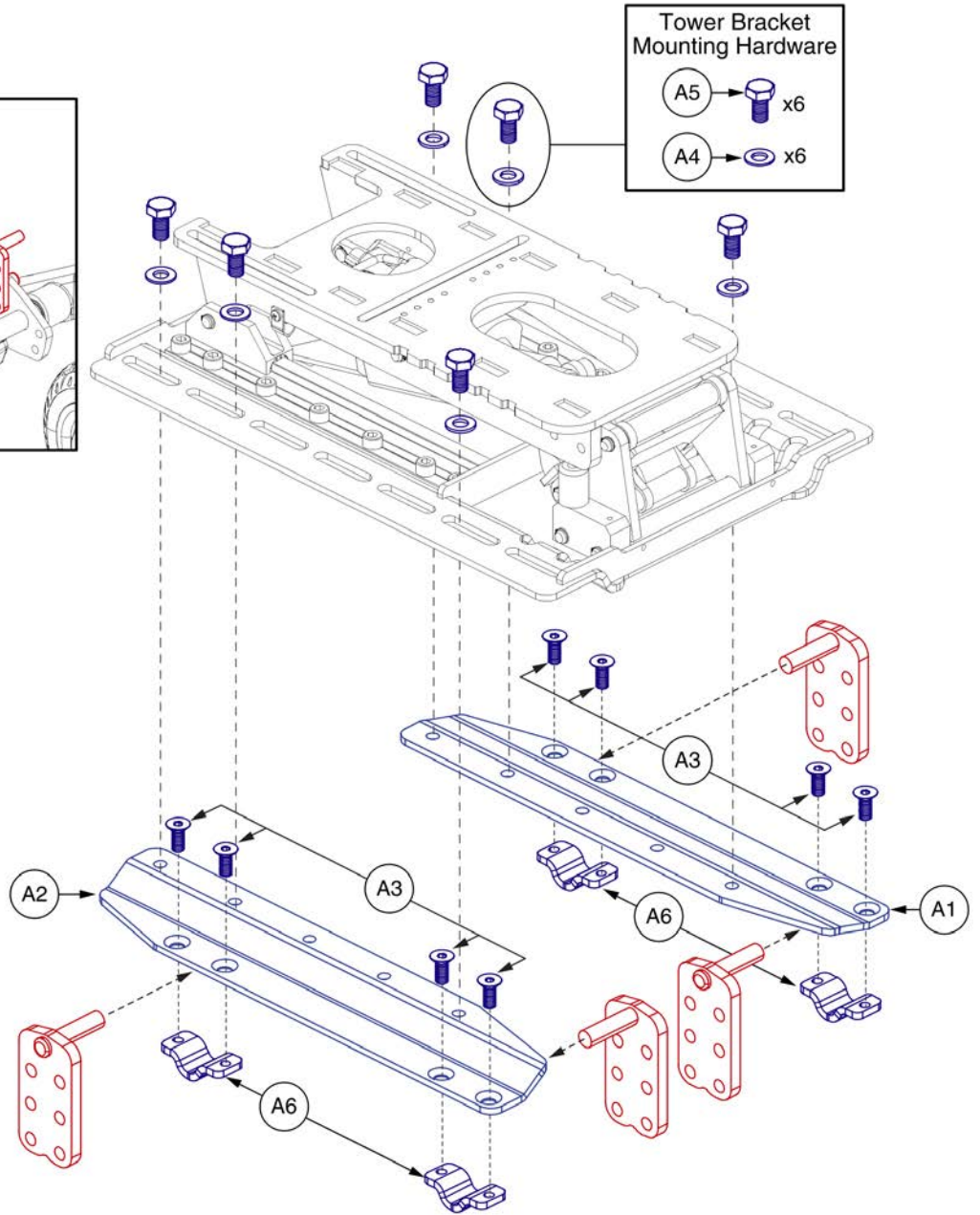
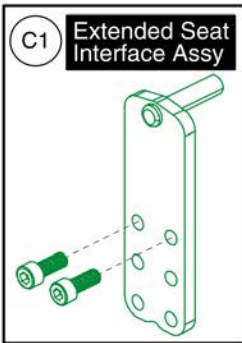
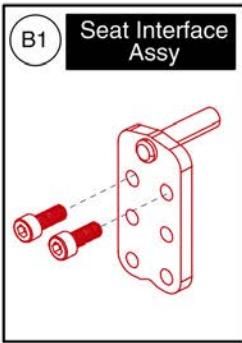
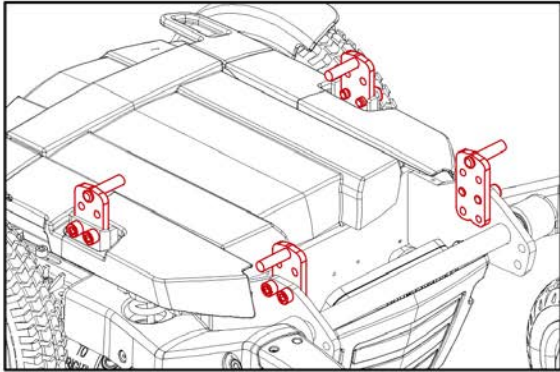


## J6 Tilt (TB3.5) Interface, TB3



Item	Part No.	Name	Qty
A1	MEC1706899	TB3 TILT, Q610/J6 INTERFACE PLATE	1
B1	SCRSHFH1203	SCREW,FLAT HEAD,M8X1.25 X 20,10.9,BZ	4
C1	MEC1710696	HARDWARE,ASSY,J6,TRU-BALANCE 3.5	1

2.2. TB 3.5 Tilt





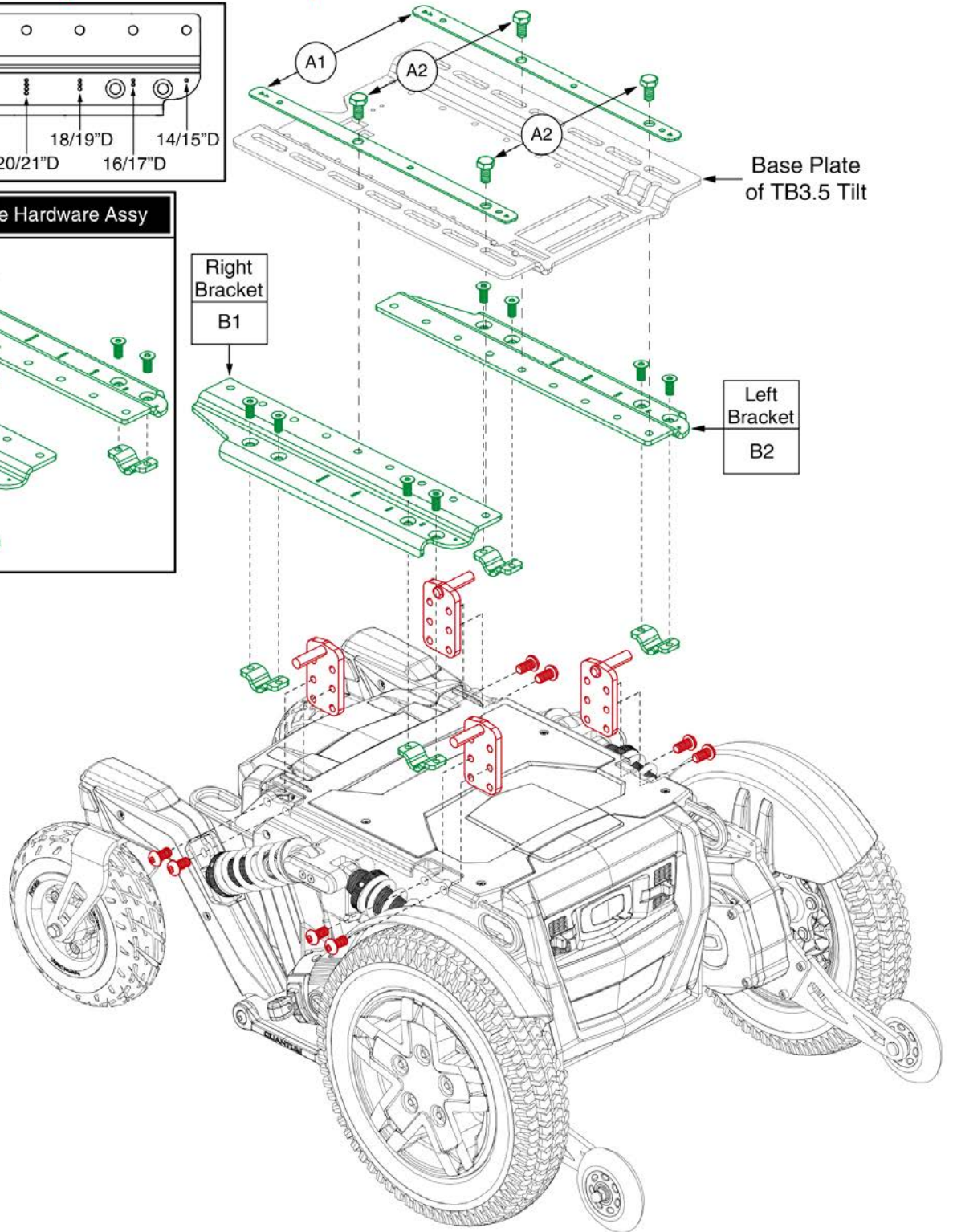
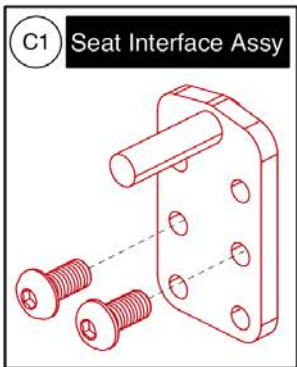
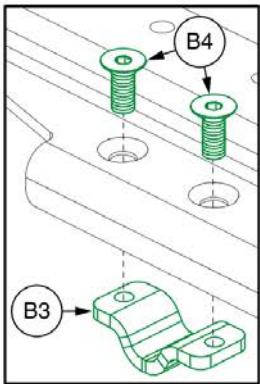
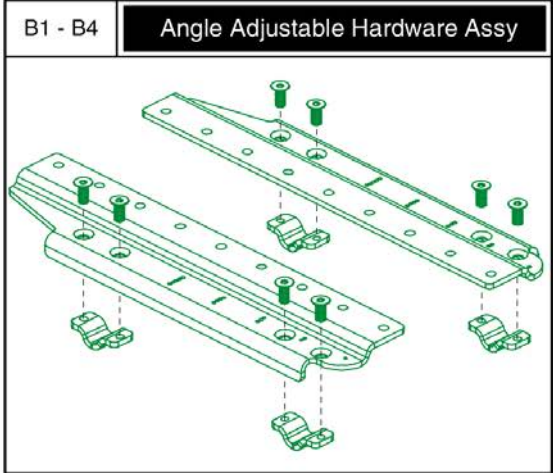
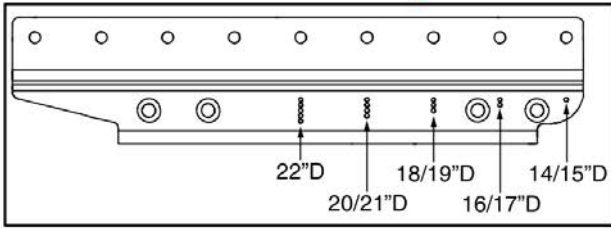
## R44 (Rival) Tilt (TB3.5) Interface, TB3



Item	Part No.	Name	Qty
A1 - A6	HDW160458	HARDWARE,ASSY,ANGLE ADJUSTABLE,R44,TRU-BALANCE 3.5	1
A1	MEC152479	TILT,ANGLE ADJUSTABLE TOWER BRACKET A,R44,TRU-BLANCE 3	1
A2	MEC152478	TILT,ANGLE ADJUSTABLE TOWER BRACKET B,R44,TRU-BLANCE 3	1
A3	HDW145729	SCREW,SHFH,M8-1.25 X 12MM,ISO 10642,CLASS 10.9,ASTM F1941M 8E BLACK,PATCH IFI-524	8
A4	WASMETR1031	WASHER,FLAT,10.5 ID X 20 OD X 2 THK,BZ	6
A5	HDW120048	SCREW,HHCS,BLACK ZINC,M10-1.5 X 20MM,GR 10.9,W/PATCH	6
A6	MEC131180	SEATING INTERFACE CLAMP,TRU-BALANCE 3	4
B1	MEC132769	FRAME,ASSY,SEAT INTERFACE,QUANTUMR44,TRU-BALANCE 3,W/MOUNTING HARDWARE	4
C1	MEC154716	FRAME,ASSY,SEAT INTERFACE,TB3 EXTENDED,QUANTUMR44,W/MOUNTING HARDWARE	4

2.2. TB 3.5 Tilt

Only Servicable Components Contain Callouts

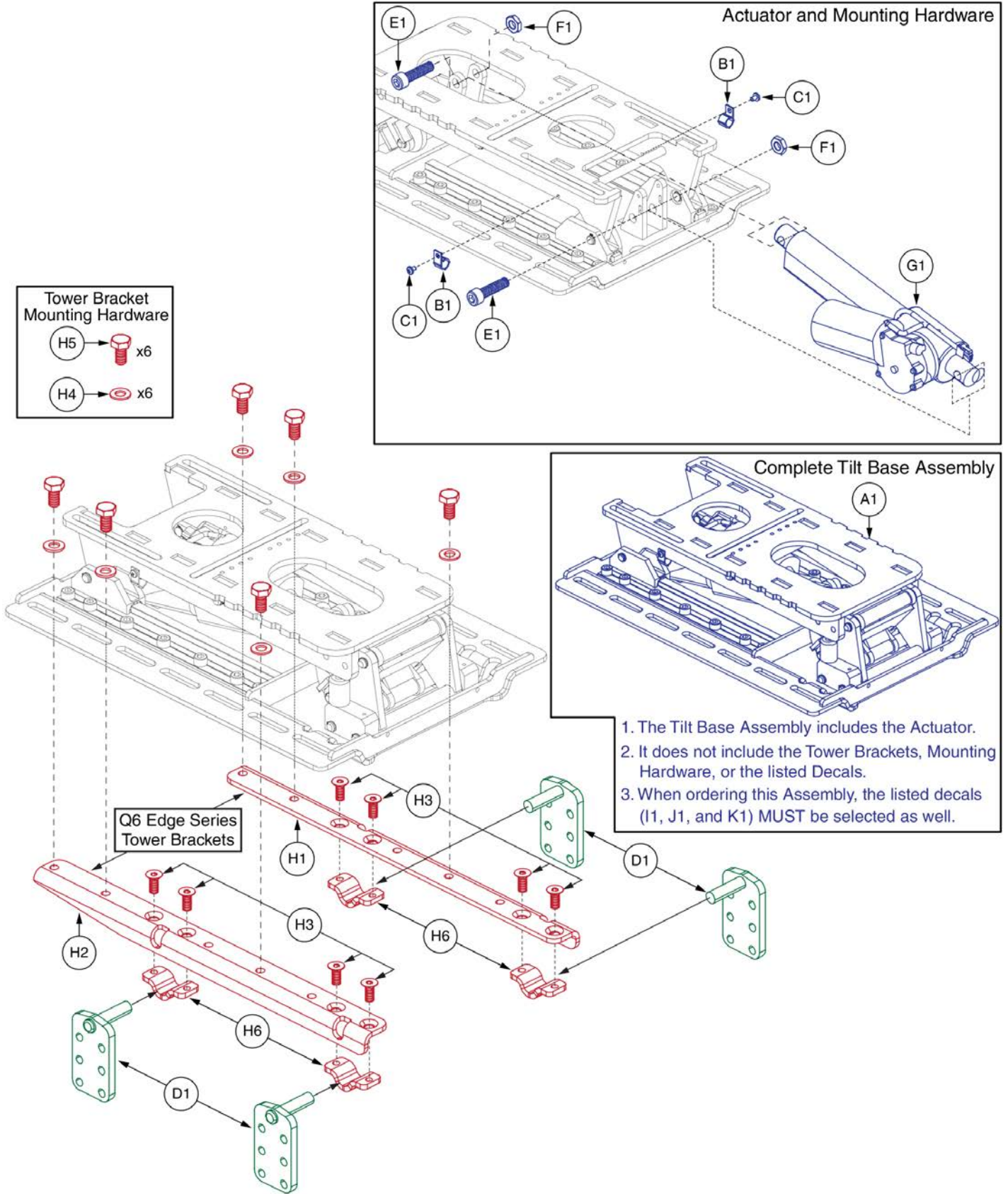


## 4Front Tilt (TB3.5) Interface, TB3



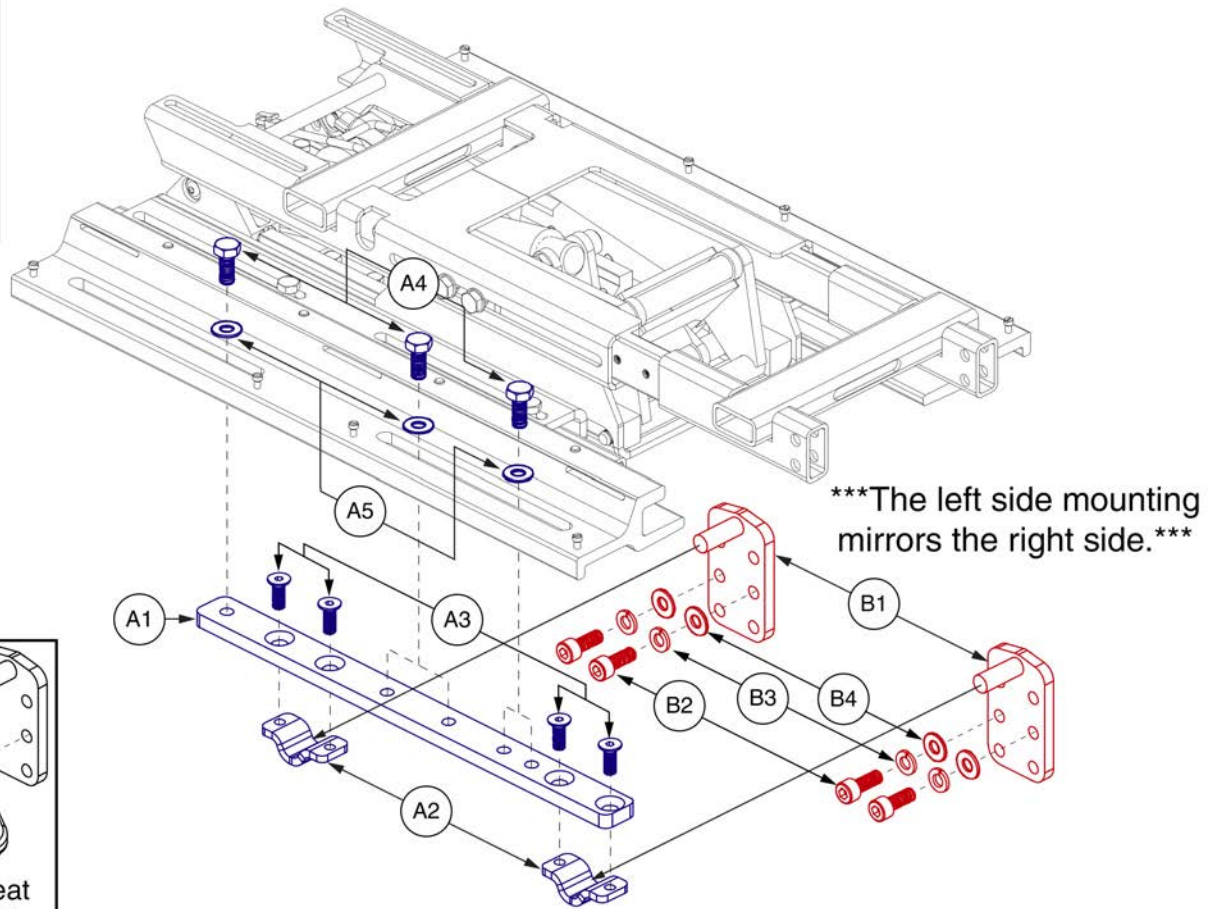
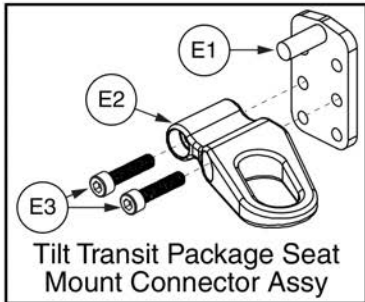
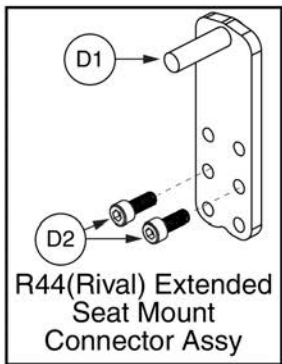
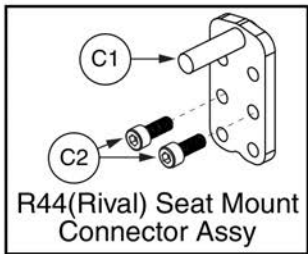
Item	Part No.	Name	Qty
A1 - B4	HDW1705238	HARDWARE,ASSY,ANGLE ADJUSTABLE,Q4FRONT,TRU-BALANCE 3.5	1
A1	MEC1705904	TB3.5 SPACER WELDMENT	2
A2	HDW120048	SCREW,HHCS,BLACK ZINC,M10-1.5 X 20MM,GR 10.9,W/PATCH	4
B1 - B4	HDW1805748	HARDWARE,ASSY,ANGLE ADJUSTABLE,Q4FRONT	1
B1	MEC1705476	TB3.5 TILT INTERFACE PLATE, RIGHT	1
B2	MEC1704198	TB3.5 TILT INTERFACE PLATE, LEFT	1
B3	MEC131180	SEATING INTERFACE CLAMP,TRU-BALANCE 3	4
B4	HDW145729	SCREW,SHFH,M8-1.25 X 12MM,ISO 10642,CLASS 10.9,ASTM F1941M 8E BLACK,PATCH IFI-524	8
C1	MEC1705730	SEAT INTERFACE,ASSY,TB3.5,QUANTUM 4FRONT,W/MOUNTING HARDWARE	1

2.2. TB 3.5 Tilt



Item	Part No.	Name	Qty
A1	MEC145642	HD TILT ASSY 2,TRU-BALANCE 3	1
B1	CLPCBLC1028	CLAMP,CABLE,BLACK,NYLON,.38" DIAMETER,P-CLIP,C-1059-042	2
C1	SCRPPH1304	SCREW,PPH,BLACK ZINC,M4-.7 X 6MM	2
D1	MEC131182	MOUNTING BRACKET,SEAT INTERFACE,TRU-BALANCE 3	4
E1	HDW120017	SCREW, SOCKET HEAD, M10X1.25 X 40, ISO 4762 CL 12.9, BZ	2
F1	HDW122654	NUT,JAM,BLACK ZINC,M10-1.25,CLASS 4	2
G1	MOT136738	ACTUATOR,100MM STROKE,6000N,TB3 TILT HD,(REAC:94UE1FB1)	1
H1 - H6	HDW160459	HARDWARE,ASSY,ANGLE ADJUSTABLE,Q6EDGE,TRU-BALANCE 3.5	1
H1	MEC152366	TILT,ANGLE ADJUSTABLE TOWER BRACKET A,TRU-BALANCE 3	1
H2	MEC152432	TILT,ANGLE ADJUSTABLE TOWER BRACKET B,TRU-BALANCE 3	1
H3	HDW145729	SCREW,SHFH,M8-1.25 X 12MM,ISO 10642,CLASS 10.9,ASTM F1941M 8E BLACK,PATCH IFI-524	8
H4	WASMETR1031	WASHER,FLAT,10.5 ID X 20 OD X 2 THK,BZ	6
H5	HDW120048	SCREW,HHCS,BLACK ZINC,M10-1.5 X 20MM,GR 10.9,W/PATCH	6
H6	MEC131180	SEATING INTERFACE CLAMP,TRU-BALANCE 3	4
I1	DWR1235L603	DECAL,READ OWNER'S MANUAL,ONLY AN AUTHORIZED TECHNICIAN CAN ADJUST THE SEAT,FRENCH,L-1235-603	1
J1	DWR1235L167	DECAL,PINCH POINT WARNING,0.50",L-1235-167	2
K1	DWR1235L199	DECAL,READ OWNER'S MANUAL,ONLY AN AUTHORIZED TECHNICIAN CAN ADJUST THE SEAT,L-1235-199	1

2.3. Version 1 Tilt / Lift

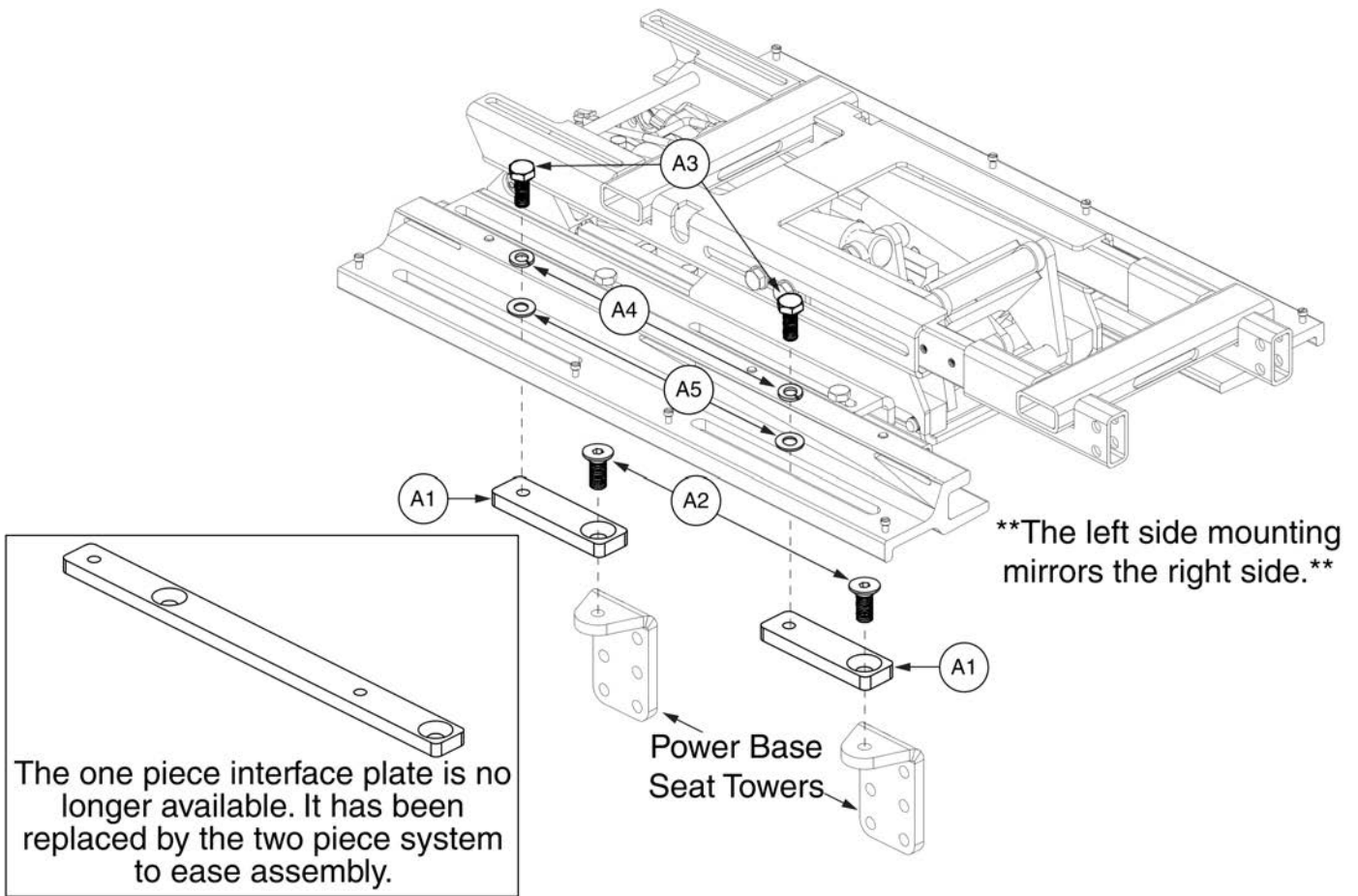


# Angle Adjustable Tower Interfaces, TB3



Item	Part No.	Name	Qty
A1 - A5	HDW145339	HARDWARE,ASSY,ANGLE ADJUSTABLE,TRU-BALANCE 3	2
A1	MEC145322	INTERFACE SLIP PLATE,ISO	1
A2	MEC131180	SEATING INTERFACE CLAMP,TRU-BALANCE 3	2
A3	SCRSHFH1203	SCREW,FLAT HEAD,M8X1.25 X 20,10.9,BZ	4
A4	HDW120048	SCREW,HHCS,BLACK ZINC,M10-1.5 X 20MM,GR 10.9,W/PATCH	3
A5	WASMETR1031	WASHER,FLAT,10.5 ID X 20 OD X 2 THK,BZ	3
B1 - B4	MEC133591	SEAT MOUNT CONNECTOR,ASSY,TB3 TILT,METRIC	4
B1	MEC131182	MOUNTING BRACKET,SEAT INTERFACE,TRU-BALANCE 3	1
B2	SCR8110003	SCREW, SOCKET HEAD, M10X1.5 X 25, ISO 4762, CL 12.9, BZ, PVTP	2
B3	WASLOCK1094	WASHER, LOCK, 10.7 ID X 18.1 OD X 2.0 THK, DIN 127B, BZ	2
B4	WASMETR1031	WASHER,FLAT,10.5 ID X 20 OD X 2 THK,BZ	2
C1 - C2	MEC132769	FRAME,ASSY,SEAT INTERFACE,QUANTUMR44,TRU-BALANCE 3,W/MOUNTING HARDWARE	4
C1	MEC137840	SEATING INTERFACE BRACKET,ANGLE ADJUSTABLE	1
C2	SCRSHCS1340	SCREW,SHCS,BLACK ZINC,M10-1.5 X 20MM,GR 10.9,W/PATCH	2
D1 - D2	MEC154716	FRAME,ASSY,SEAT INTERFACE,TB3 EXTENDED,QUANTUMR44,W/MOUNTING HARDWARE	4
D1	MEC152567	SEATING INTERFACE BRACKET R44,ANGLE ADJUSTABLE,137MM	1
D2	SCRSHCS1340	SCREW,SHCS,BLACK ZINC,M10-1.5 X 20MM,GR 10.9,W/PATCH	2
E1 - E3	MEC131902	SEAT MOUNT CONNECTOR,ASSY,TB3 TILT,TRANSIT PACKAGE,METRIC	1
E1	MEC131182	MOUNTING BRACKET,SEAT INTERFACE,TRU-BALANCE 3	4
E2	MEC142133	MOUNTING BRACKET,ASSY,UNIVERSAL TRANSIT SECUREMENT LOOP W/DECALS	4
E3	HDW142810	SCREW, SOCKET HEAD, M10 X 50, ISO 4762, CL 12.9, BZ, PVTP	8

2.3. Version 1 Tilt / Lift



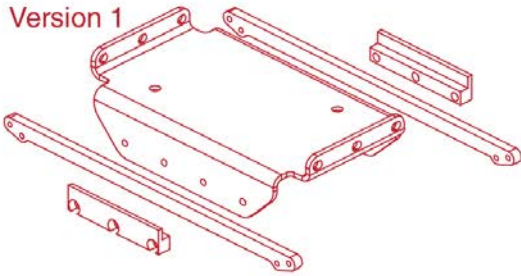


Item	Part No.	Name	Qty
A1 - A5	HDW131889	HARDWARE,ASSY,FIXED,TRU-BALANCE 3	2
A1	MEC123948	INTERFACE PLATE	2
A2	HDW136557	SCREW,SHFH,M10-1.5 X 16MM,CLASS 10.9,BLACK ZINC,PATCH	2
A3	SCRHHCS1402	SCREW,HHCS,BLACK ZINC,M10-1.5 X 25MM,10.9,	2
A4	WASLOCK1094	WASHER, LOCK, 10.7 ID X 18.1 OD X 2.0 THK, DIN 127B, BZ	2
A5	WASMETR1031	WASHER,FLAT,10.5 ID X 20 OD X 2 THK,BZ	2

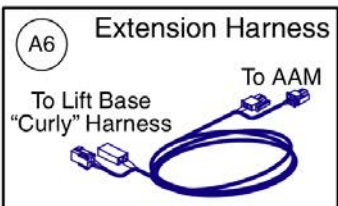
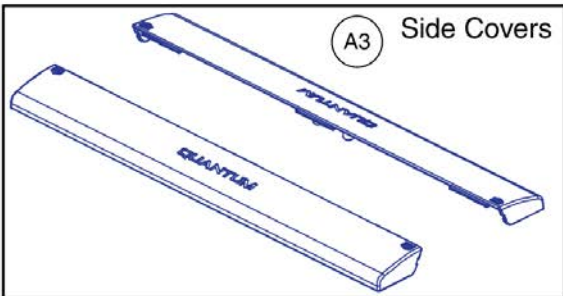
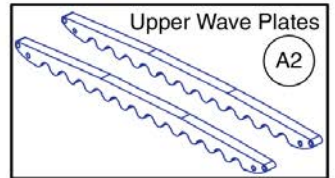
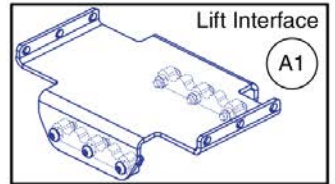
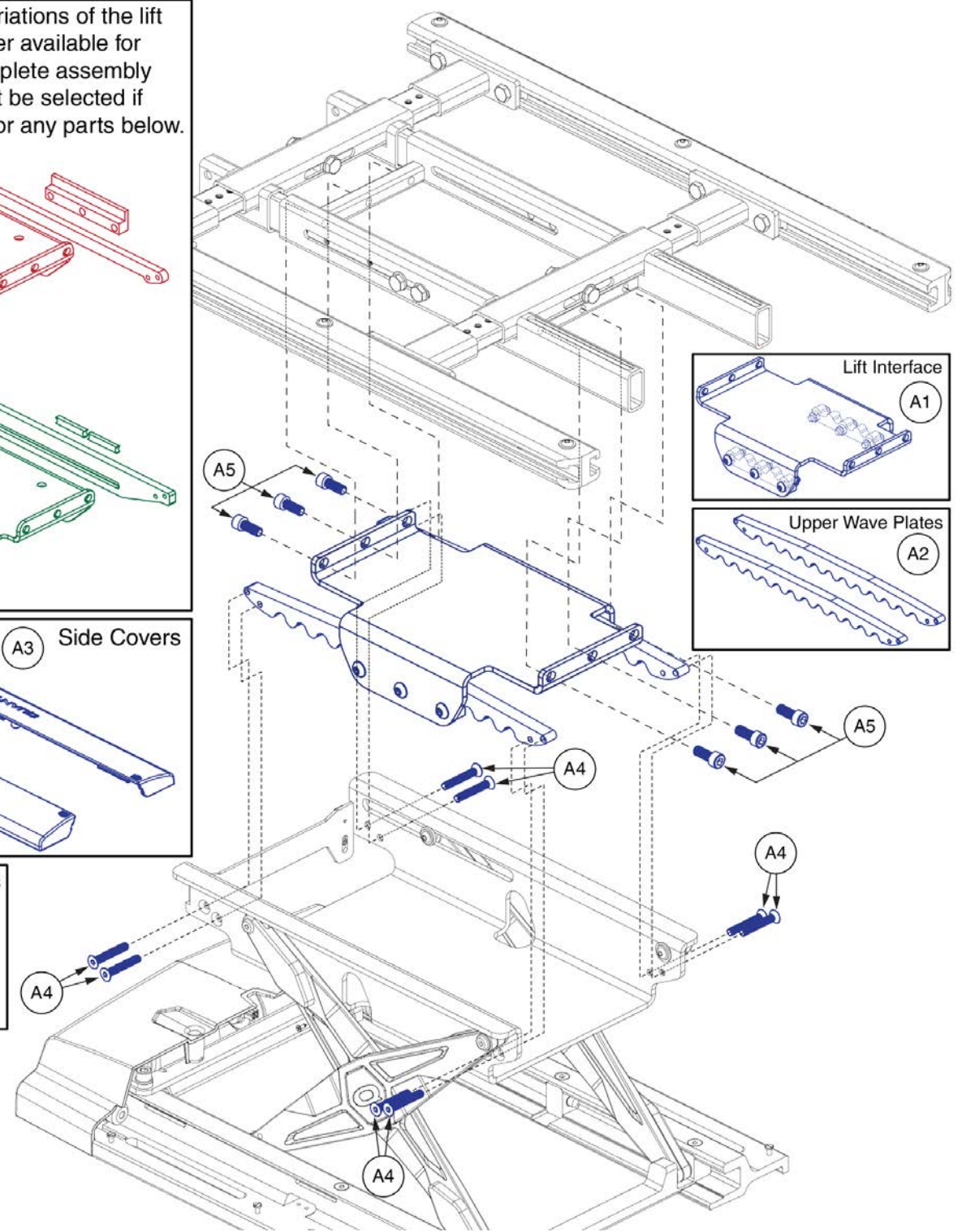
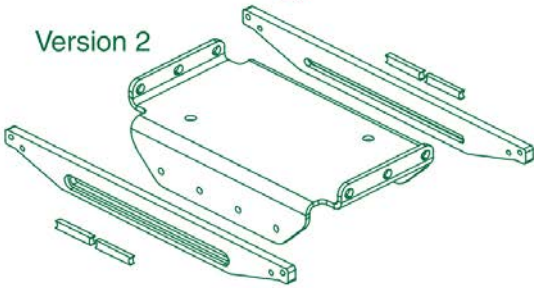
2.4. Version 1 TB3 Scissor Lift Components

The version 1 and 2 variations of the lift interface are no longer available for replacement. The complete assembly shown (A1 - A5) must be selected if replacement is required for any parts below.

Version 1



Version 2

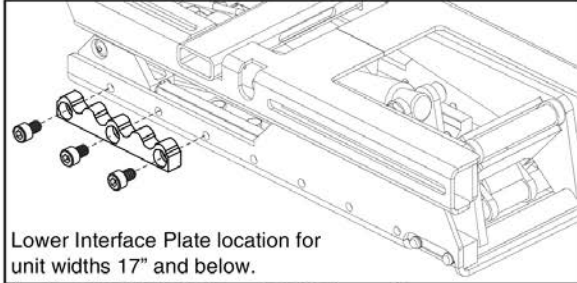


# Lift Only Interface Plate, TB3

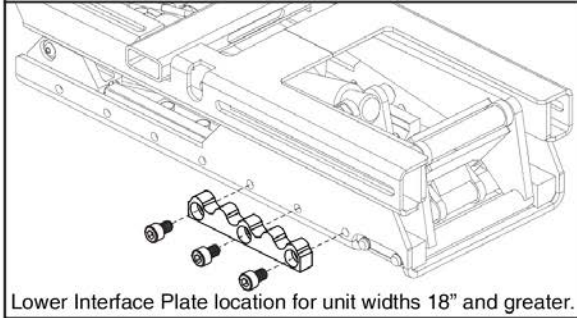


Item	Part No.	Name	Qty
A1 - A6	SET130988	SEAT PLATE,ASSY,LIFT ONLY,TRU-BALANCE 3	1
A1	MEC151584	LIFT ONLY INTERFACE ASSY,TRU BALANCE 3	1
A2	MEC151579	LIFT TO TILT INTERFACE WAVE PLATE UPPER	2
A3	DGN121687	COVER,SIDE RAIL,PLASTIC,TRU-BALANCE 3 LIFT	2
A4	SCRSHFH1023	SCREW,SHFH,M6-1.0 X 30MM	8
A5	HDW125250	SCREW, SOCKET HEAD, M8X1.25 X 20, ISO 4762, CL 12.9, BZ, PVTP	6
A6	ELE133304	ELECTRONIC,HARNESS,CURLY CABLE EXTENSION CABLE,FRONT MOUNTED,TRU-BALANCE 3 LIFT	1

### 2.4. Version 1 TB3 Scissor Lift Components

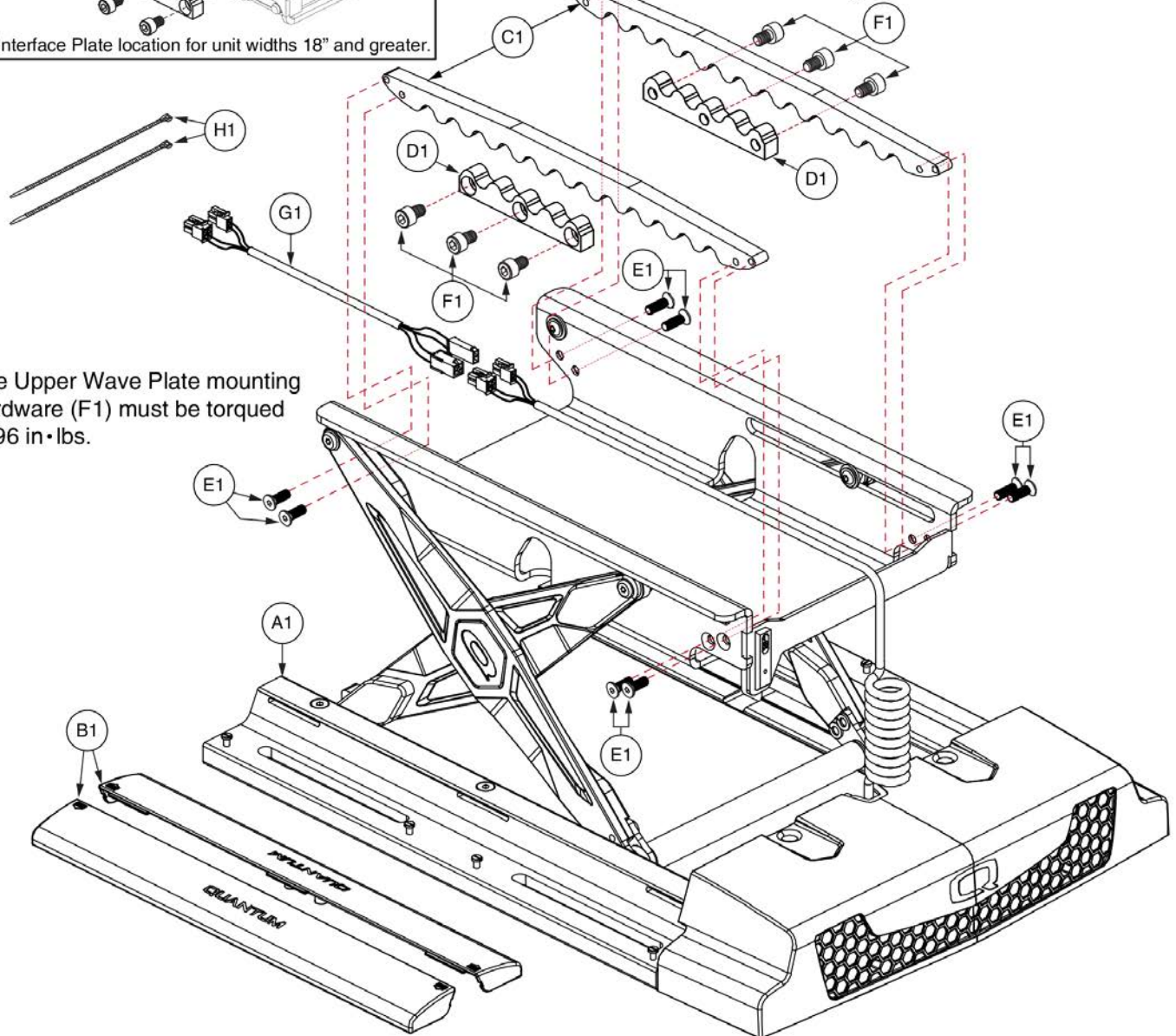
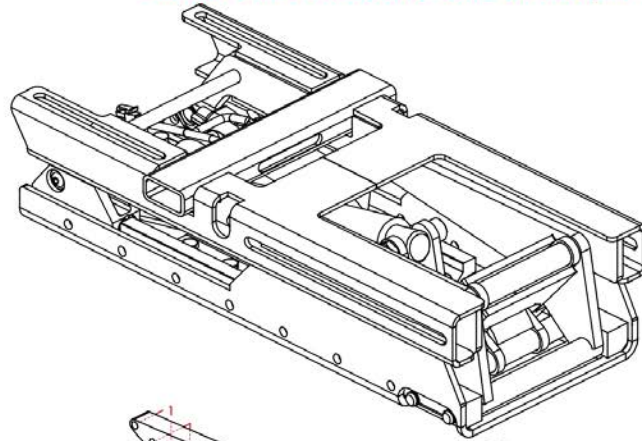


Lower Interface Plate location for unit widths 17" and below.



Lower Interface Plate location for unit widths 18" and greater.

The Version 1 Tilt Assy has been discontinued and is no longer available for replacement. The Actuator and it's mounting hardware can still be serviced. Contact Tech Service for all other retrofit options.



The Upper Wave Plate mounting hardware (F1) must be torqued to 96 in•lbs.

Item	Part No.	Name	Qty
A1		TRU-BALANCE 3 LIFT,ASSY,W/MICROSWITCH & ACTUATOR COVER	1
B1	DGN121687	COVER,SIDE RAIL,PLASTIC,TRU-BALANCE 3 LIFT	2
C1	MEC151579	LIFT TO TILT INTERFACE WAVE PLATE UPPER	2
D1	MEC151582	INTERFACE WAVE PLATE LOWER	2
E1	HDW131752	SCREW,SHFH,BLACK ZINC,M6-1.0 X 20MM,GRADE 12.9,W/NYLON PATCH	8
F1	HDW133071	SCREW,SHCS,M8-1 X 12MM,CLASS 12.9,W/PATCH	6
G1	ELE133304	ELECTRONIC,HARNESS,CURLY CABLE EXTENSION CABLE,FRONT MOUNTED,TRU-BALANCE 3 LIFT	1
H1	PLSTIE1004	TIE WRAP,BLACK,8"	2

2.4. Version 1 TB3 Scissor Lift Components

<p>16"D</p>	<p>17"D</p>
<p>**The 18"D assy requires the back be mounted 1" forward.**</p>	
<p>18"D</p>	<p>19"D</p>
<p>20"D</p>	<p>21"D</p>
<p>22"D</p>	<p>1. For units with "Standard" Riggings, the Depth Weldment Marker will be flush with the interface notch.</p> <p>Interface Notch</p>
<p>23"D</p>	<p>2. The centerline of the Width Adjustment Slot should align with the front of the lift frame for 18"-24" units.</p>
<p>24"D</p>	<p>16"-20" Depth Weldment Markers</p> <p>20" 19" 18" 17" 16" Width Adjustment Slot</p> <p>20"-24" Depth Weldment Markers</p> <p>24" 23" 22" 21" 20" Width Adjustment Slot</p>

This page intentionally left blank

2.4. Version 1 TB3 Scissor Lift Components

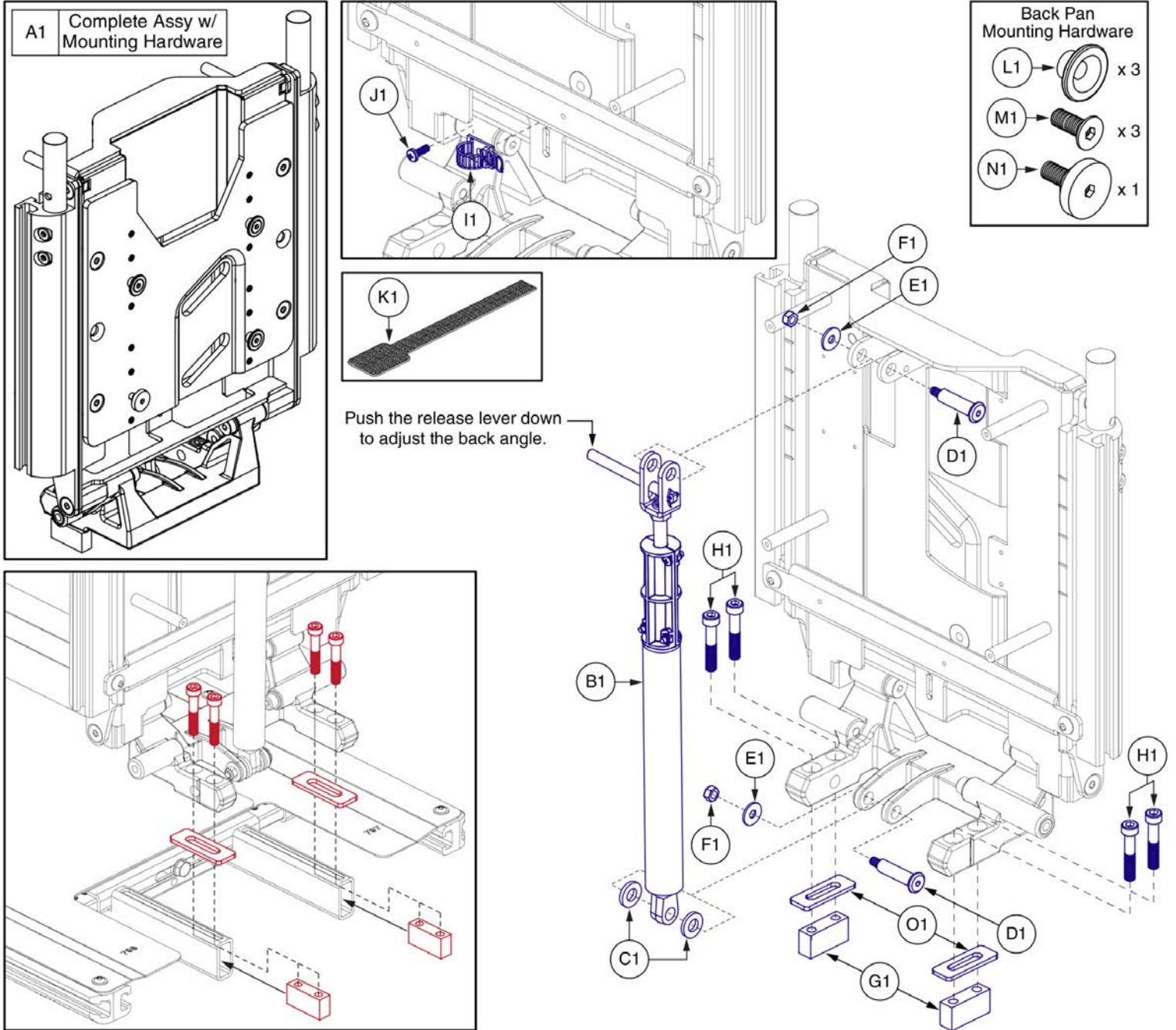
<p>16"D</p>	<p>17"D</p>
<p>**The 18"D assy requires the back be mounted 1" forward.**</p> <p>18"D</p>	<p>19"D</p>
<p>20"D</p>	<p>21"D</p>
<p>22"D</p>	<p>1. For units with an AFP or a Centermount Foot Platform, the Depth Weldment Marker will be on the outside of the tilt frame past the interface notch.</p> <p>Interface Notch</p>
<p>23"D</p>	<p>2. The rear of the Width Adjustment Slot should align with the front of the lift frame for 18"-24" units.</p> <p>16"-20" Depth Weldment Markers</p> <p>20" 19" 18" 17" 16" Width Adjustment Slot</p>
<p>24"D</p>	<p>20"-24" Depth Weldment Markers</p> <p>24" 23" 22" 21" 20" Width Adjustment Slot</p>



This page intentionally left blank

Static Backs

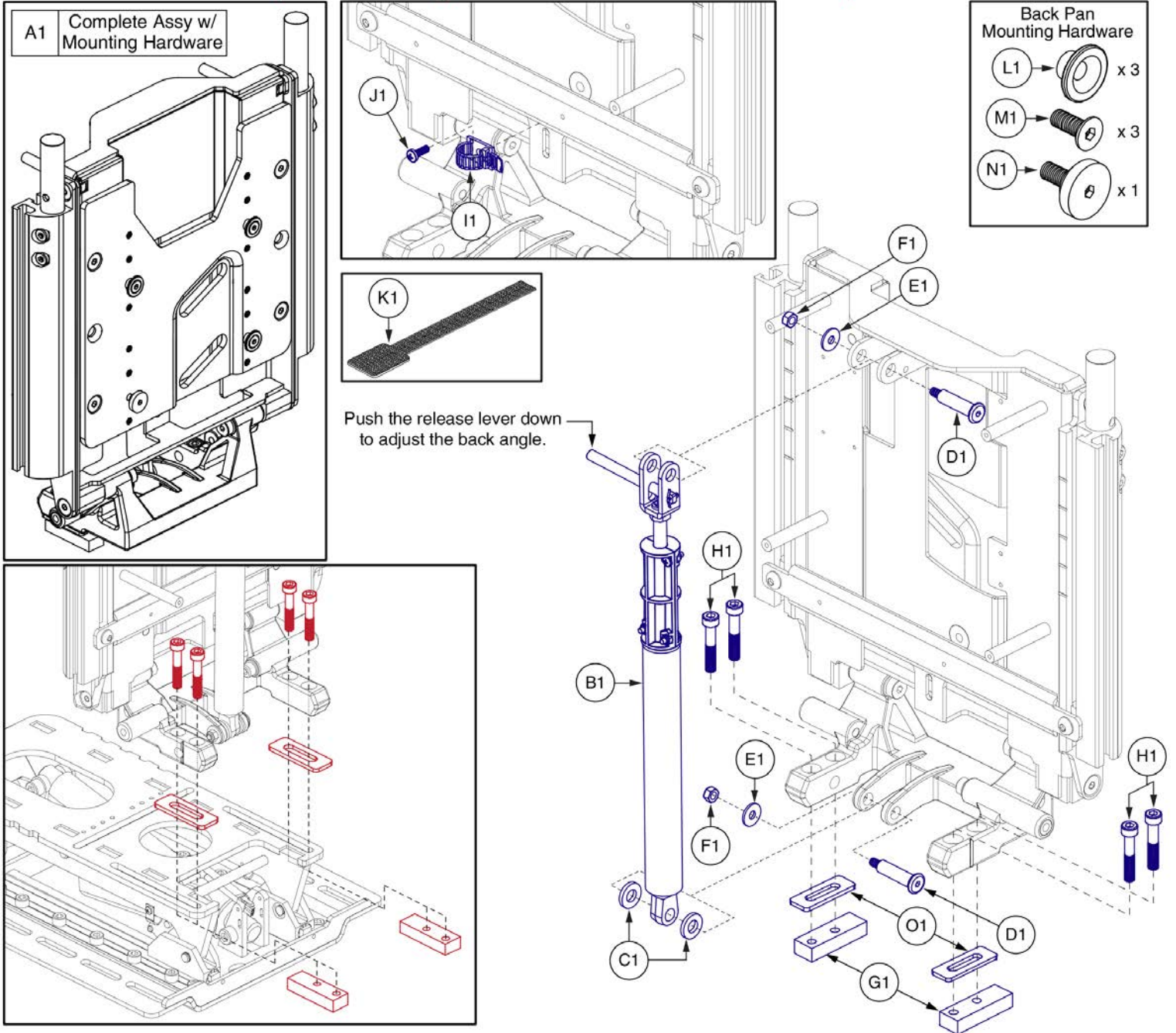
\*\*\*Only components with callouts are available for replacement.  
The complete assembly must be selected for all other components.\*\*\*



Item	Part No.	Name	Qty
A1	MEC134757	STATIC BACK,ASSY,MAIN,NON SHEAR REDUCTION,TRU-BALANCE 3,W/MOUNTING HARDWARE	1
B1	MEC125176	LOCKABLE GAS SPRING,ASSY,STATIC BACK,TRU-BALANCE 3	1
C1	MEC122963	LIMIT STOP CUSHION,20MM OD X 10MM ID X 3MM THK	2
D1	MEC131121	BOLT,PIVOT ROD,TRU-BALANCE 3 RECLINE	2
E1	WASMETR1083	WASHER,FLAT,BLACK ZINC,STEEL,6.4MM ID X 18MM OD X 1.6MM TH	2
F1	NUTNYLK1019	NUT,NYLOCK,BLACK ZINC,M6-1.0	2
G1	MEC121721	BACK TO BASE SLOT BLOCK,TRU BALANCE 3	2
H1	SCR8110007	SCREW,SHCS,BLACK ZINC,M8-1.25 X 40MM,W/NYLON PATCH	4
I1	HDW135288	WIRE CLIP,REUSABLE,BLACK,PLASTIC,(MICRO PLASTICS:NM22LCC1000B)	1
J1	SCRPPPTC1021	SCREW, PPH,BZ,#8 X 1/2",THREAD CUTTING,TYPE 25	1
K1	VELDBLS1001	REUSABLE FASTENER,1/2"W X 8"L,HOOK & LOOP	1
L1	FRM8120061	BUTTON,SEAT BACK PAN,TRU-BALANCE 3 RECLINE	3
M1	SCR8120019	SCREW,SHFH,BLACK ZINC,M6-1.0 X 16MM,CLASS 10.9	3
N1	SCR8120015	SCREW,THUMB,BLACK,CUSTOM,M6-1.0	1
O1	MEC140345	TILT TO BACK SPACER PLATE	2

Static Backs

\*\*\*Only components with callouts are available for replacement.  
The complete assembly must be selected for all other components.\*\*\*



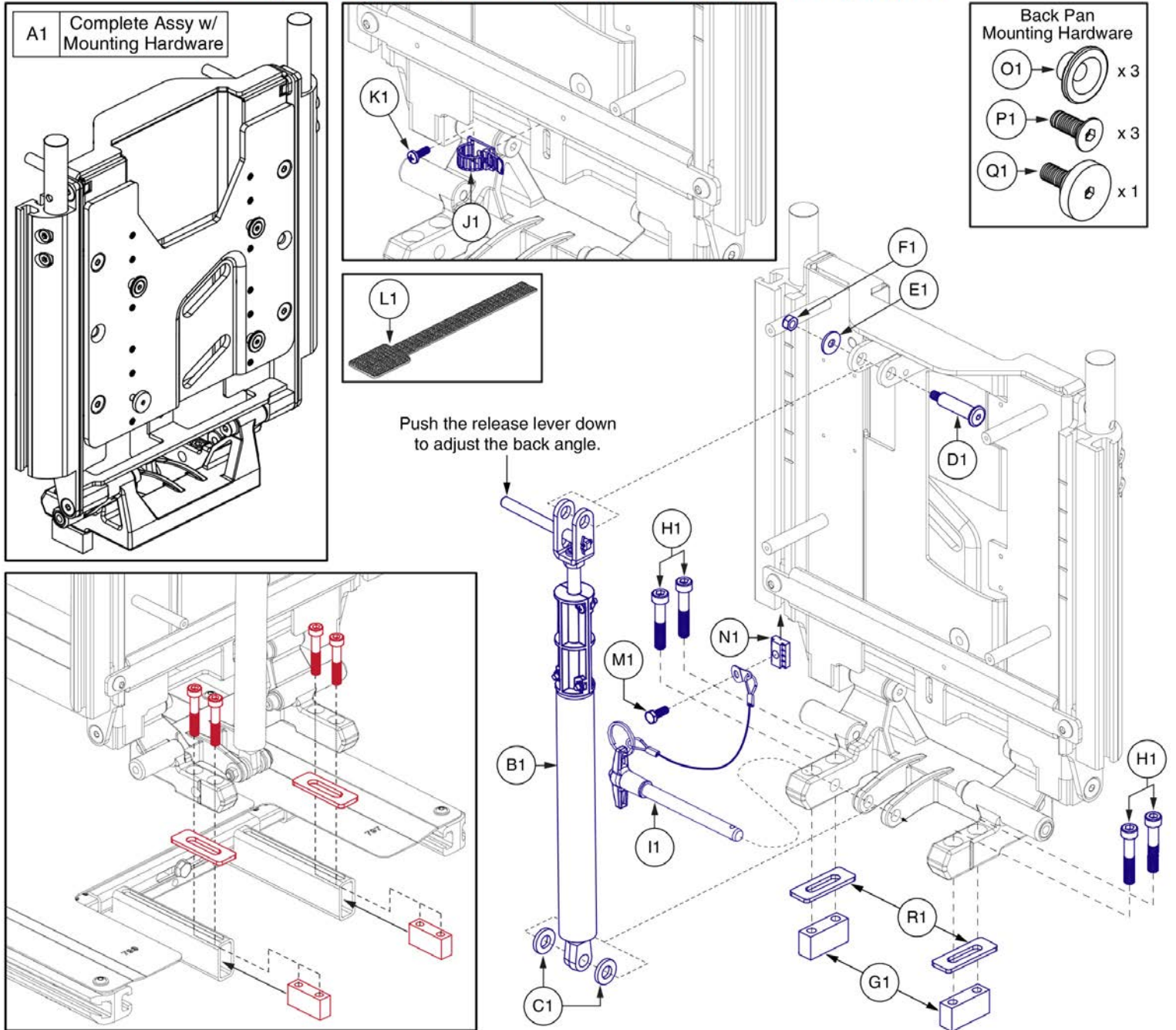
# Static Back Assy, for TB3.5 (V2) Tilt Seat



Item	Part No.	Name	Qty
A1	MEC1900563	STATIC BACK,ASSY,MAIN,NON SHEAR REDUCTION,TRU-BALANCE 3.5 TILT,W/MOUNTING HARDWARE	1
B1	MEC125176	LOCKABLE GAS SPRING,ASSY,STATIC BACK,TRU-BALANCE 3	1
C1	MEC122963	LIMIT STOP CUSHION,20MM OD X 10MM ID X 3MM THK	2
D1	MEC131121	BOLT,PIVOT ROD,TRU-BALANCE 3 RECLINE	2
E1	WASMETR1083	WASHER,FLAT,BLACK ZINC,STEEL,6.4MM ID X 18MM OD X 1.6MM TH	2
F1	NUTNYLK1019	NUT,NYLOCK,BLACK ZINC,M6-1.0	2
G1	MEC1806703	SLOT BLOCK, LONG	2
H1	SCR8110007	SCREW,SHCS,BLACK ZINC,M8-1.25 X 40MM,W/NYLON PATCH	4
I1	HDW135288	WIRE CLIP,REUSABLE,BLACK,PLASTIC,(MICRO PLASTICS:NM22LCC1000B)	1
J1	SCRPPTC1021	SCREW, PPH,BZ,#8 X 1/2",THREAD CUTTING,TYPE 25	1
K1	VELDBLS1001	REUSABLE FASTENER,1/2"W X 8"L,HOOK & LOOP	1
L1	FRM8120061	BUTTON,SEAT BACK PAN,TRU-BALANCE 3 RECLINE	3
M1	SCR8120019	SCREW,SHFH,BLACK ZINC,M6-1.0 X 16MM,CLASS 10.9	3
N1	SCR8120015	SCREW,THUMB,BLACK,CUSTOM,M6-1.0	1
O1	MEC140345	TILT TO BACK SPACER PLATE	2

Flip Forward Backs

\*\*\*Only components with callouts are available for replacement.  
The complete assembly must be selected for all other components.\*\*\*



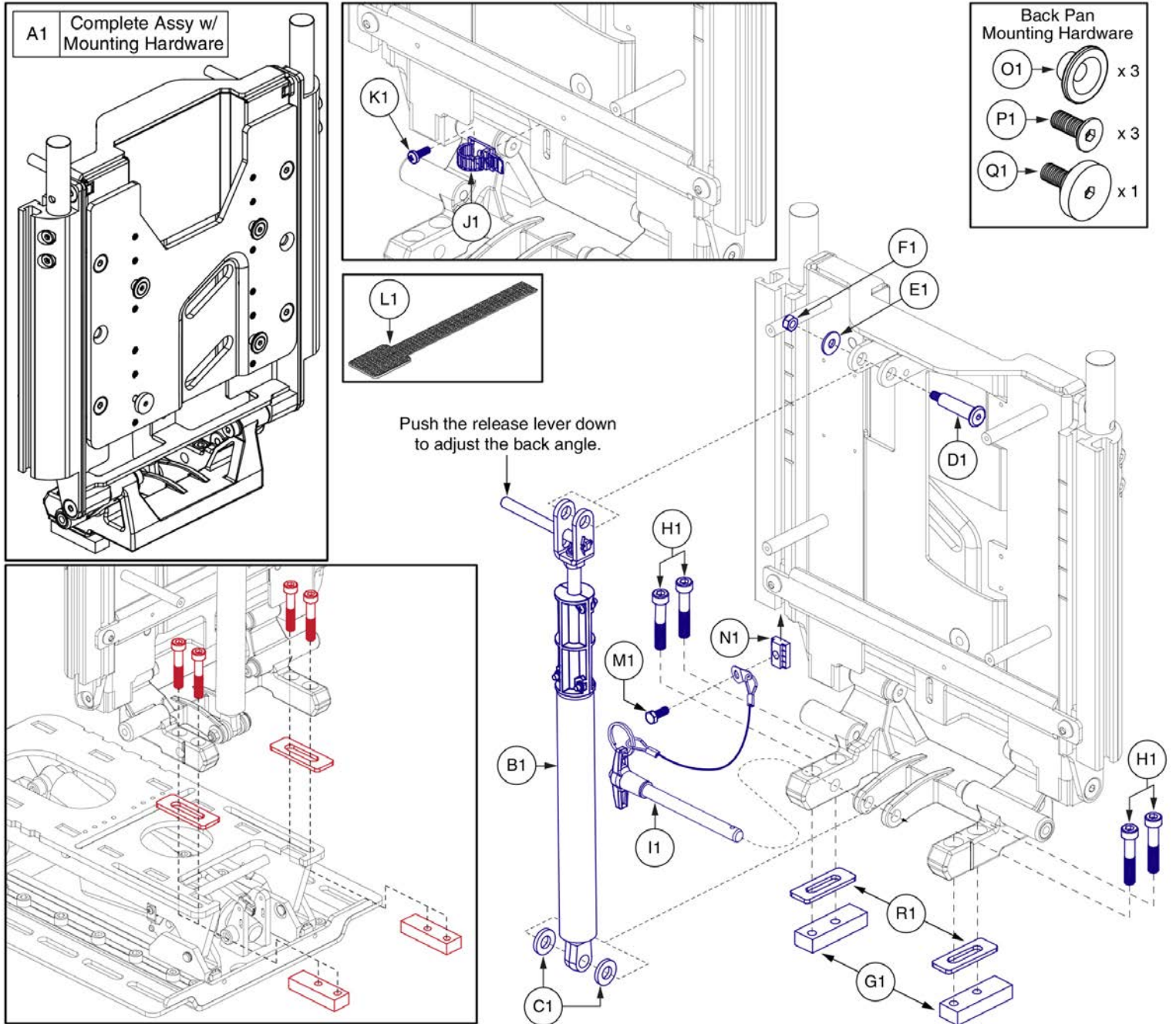
# Static Back Assy, Flip Forward, TB3



Item	Part No.	Name	Qty
A1	MEC131957	STATIC BACK,ASSY,FLIP FORWARD,TRU-BALANCE 3	1
B1	MEC125176	LOCKABLE GAS SPRING,ASSY,STATIC BACK,TRU-BALANCE 3	1
C1	MEC122963	LIMIT STOP CUSHION,20MM OD X 10MM ID X 3MM THK	2
D1	MEC131121	BOLT,PIVOT ROD,TRU-BALANCE 3 RECLINE	1
E1	WASMETR1083	WASHER,FLAT,BLACK ZINC,STEEL,6.4MM ID X 18MM OD X 1.6MM TH	1
F1	NUTNYLK1019	NUT,NYLOCK,BLACK ZINC,M6-1.0	1
G1	MEC121721	BACK TO BASE SLOT BLOCK,TRU BALANCE 3	2
H1	SCR8110007	SCREW,SHCS,BLACK ZINC,M8-1.25 X 40MM,W/NYLON PATCH	4
I1	HDW131958	PIN,KWIK-LOK,T-HANDLE,M10 X 90,W/152MM BLACK LANYARD	1
J1	HDW135288	WIRE CLIP,REUSABLE,BLACK,PLASTIC,(MICRO PLASTICS:NM22LCC1000B)	1
K1	SCRPPTC1021	SCREW, PPH,BZ,#8 X 1/2",THREAD CUTTING,TYPE 25	1
L1	VELDBLS1001	REUSABLE FASTENER,1/2"W X 8"L,HOOK & LOOP	1
M1	SCRHHCS1412	SCREW, HEX HEAD, M8X1.25 X 16, ISO 4014, CL 10.9, BZ, PVTP	1
N1	NUT8120005	NUT,T-SLOT,BLACK,M8-1.25	1
O1	FRM8120061	BUTTON,SEAT BACK PAN,TRU-BALANCE 3 RECLINE	3
P1	SCR8120019	SCREW,SHFH,BLACK ZINC,M6-1.0 X 16MM,CLASS 10.9	3
Q1	SCR8120015	SCREW,THUMB,BLACK,CUSTOM,M6-1.0	1
R1	MEC140345	TILT TO BACK SPACER PLATE	2

Flip Forward Backs

\*\*\*Only components with callouts are available for replacement.  
The complete assembly must be selected for all other components.\*\*\*

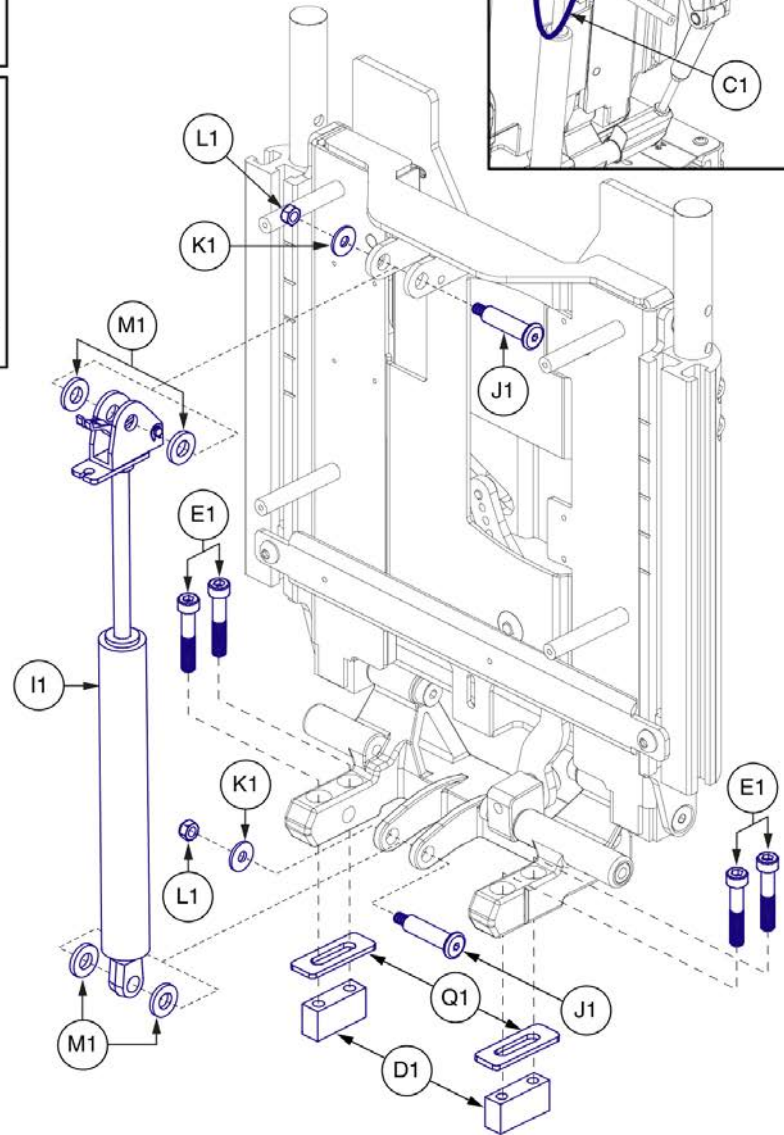
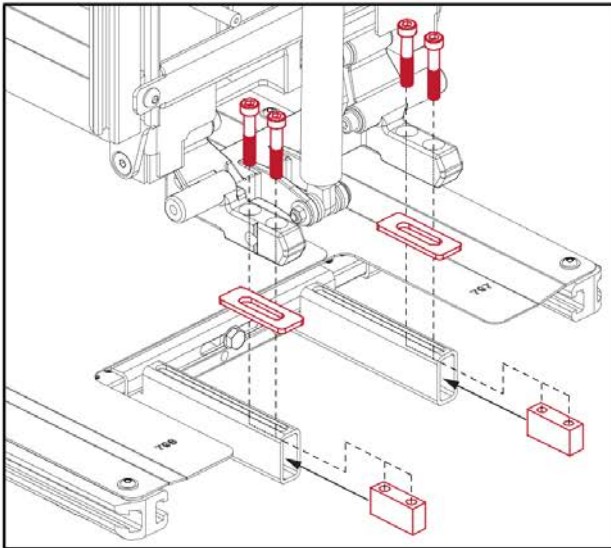
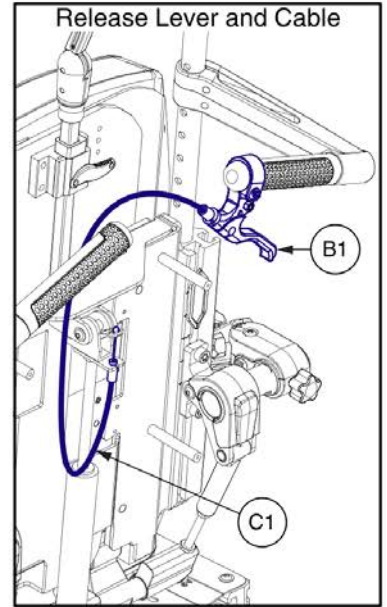
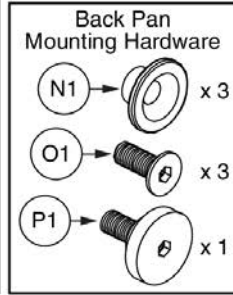
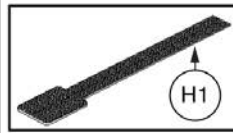
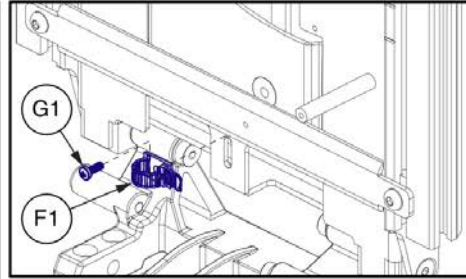
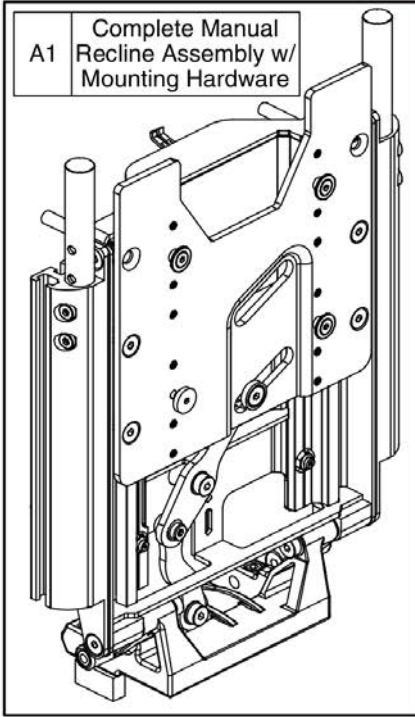




Item	Part No.	Name	Qty
A1	MEC1900564	STATIC BACK,ASSY,FLIP FORWARD,TRU-BALANCE 3.5 TILT,W/MOUNTING HARDWARE	1
B1	MEC125176	LOCKABLE GAS SPRING,ASSY,STATIC BACK,TRU-BALANCE 3	1
C1	MEC122963	LIMIT STOP CUSHION,20MM OD X 10MM ID X 3MM THK	2
D1	MEC131121	BOLT,PIVOT ROD,TRU-BALANCE 3 RECLINE	1
E1	WASMETR1083	WASHER,FLAT,BLACK ZINC,STEEL,6.4MM ID X 18MM OD X 1.6MM TH	1
F1	NUTNYLK1019	NUT,NYLOCK,BLACK ZINC,M6-1.0	1
G1	MEC1806703	SLOT BLOCK, LONG	2
H1	SCR8110007	SCREW,SHCS,BLACK ZINC,M8-1.25 X 40MM,W/NYLON PATCH	4
I1	HDW131958	PIN,KWIK-LOK,T-HANDLE,M10 X 90,W/152MM BLACK LANYARD	1
J1	HDW135288	WIRE CLIP,REUSABLE,BLACK,PLASTIC,(MICRO PLASTICS:NM22LCC1000B)	1
K1	SCRPPTC1021	SCREW, PPH,BZ,#8 X 1/2",THREAD CUTTING,TYPE 25	1
L1	VELDBLS1001	REUSABLE FASTENER,1/2"W X 8"L,HOOK & LOOP	1
M1	SCRHHCS1412	SCREW, HEX HEAD, M8X1.25 X 16, ISO 4014, CL 10.9, BZ, PVTP	1
N1	NUT8120005	NUT,T-SLOT,BLACK,M8-1.25	1
O1	FRM8120061	BUTTON,SEAT BACK PAN,TRU-BALANCE 3 RECLINE	3
P1	SCR8120019	SCREW,SHFH,BLACK ZINC,M6-1.0 X 16MM,CLASS 10.9	3
Q1	SCR8120015	SCREW,THUMB,BLACK,CUSTOM,M6-1.0	1
R1	MEC140345	TILT TO BACK SPACER PLATE	2

Manual Recline Backs

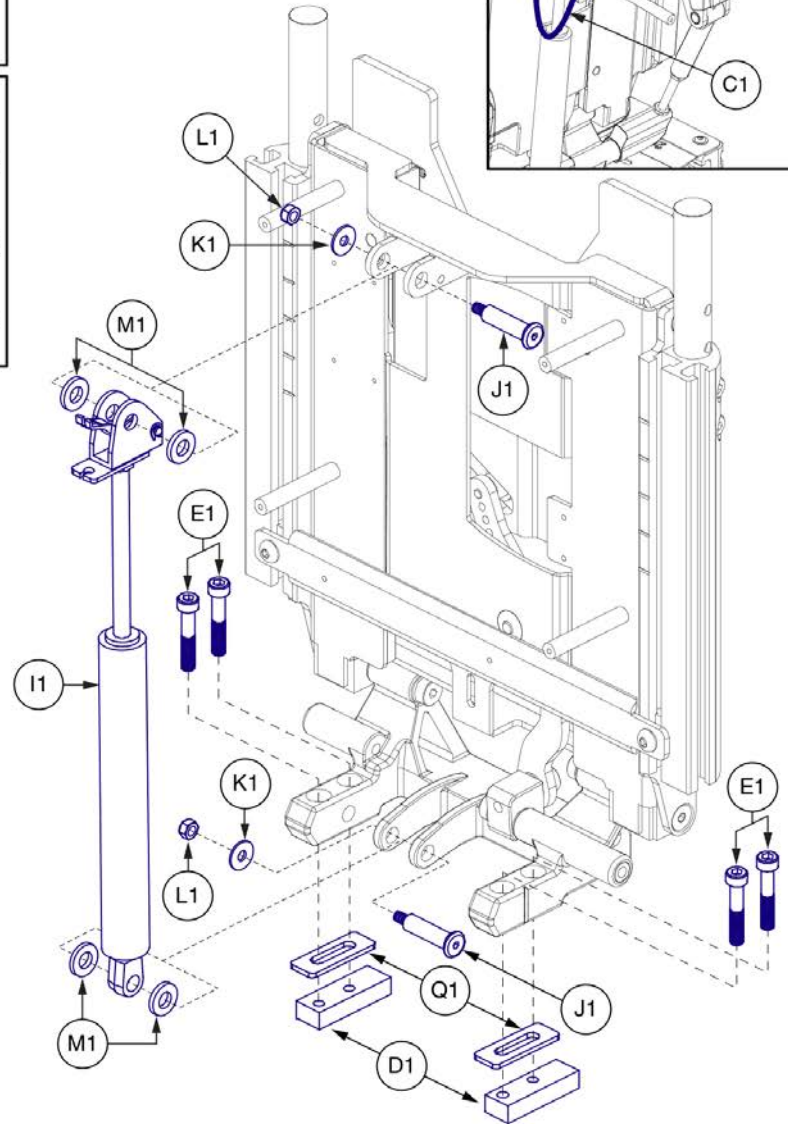
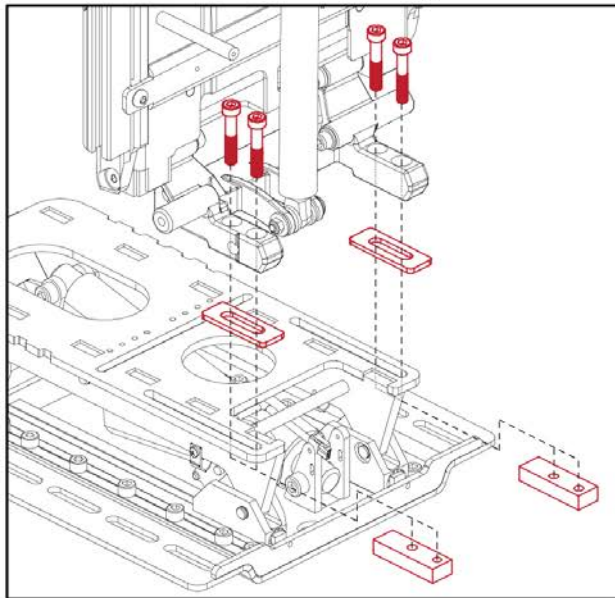
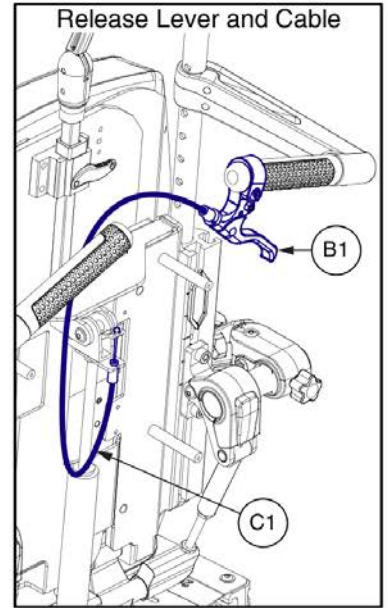
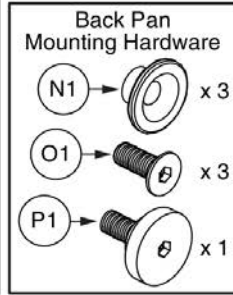
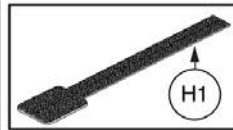
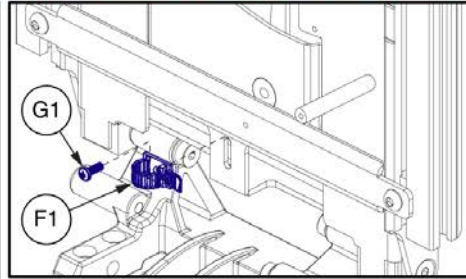
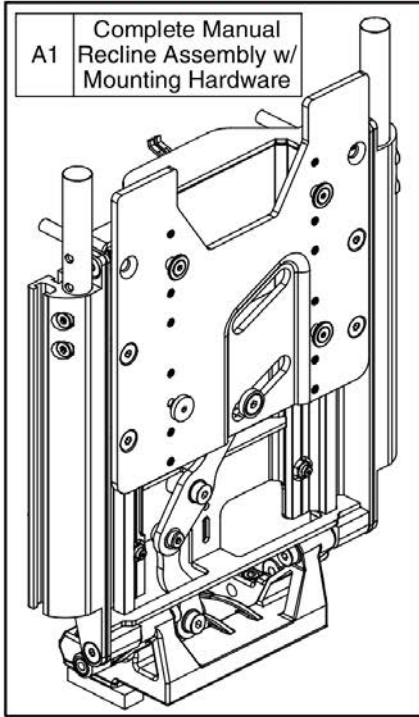
\*\*\*Only components with callouts are available for replacement.  
The complete assembly must be selected for all other components.\*\*\*



Item	Part No.	Name	Qty
A1	MEC125087	MANUAL RECLINE BACK,ASSY,SHEAR REDUCTION,TB3	1
B1	MEC124940	LEVER,BRAKE,2 FINGER RELEASE, RIGHT HAND,FOR .875" [22.23MM] DIA HANDLEBAR,BLACK,DIA-TECH MX-99	1
C1	DWR1600B109	CABLE,W/END ADAPTER,BLACK,26"L,B-1600-109	1
D1	MEC121721	BACK TO BASE SLOT BLOCK,TRU BALANCE 3	2
E1	SCR8110007	SCREW,SHCS,BLACK ZINC,M8-1.25 X 40MM,W/NYLON PATCH	4
F1	HDW135288	WIRE CLIP,REUSABLE,BLACK,PLASTIC,(MICRO PLASTICS:NM22LCC1000B)	1
G1	SCRPPPTC1021	SCREW, PPH,BZ,#8 X 1/2",THREAD CUTTING,TYPE 25	1
H1	VELDBLS1001	REUSABLE FASTENER,1/2"W X 8"L,HOOK & LOOP	1
I1	MEC122967	MANUAL RECLINE,ASSY,LOCKING GAS SPRING,TRU-BALANCE 3	1
J1	MEC131121	BOLT,PIVOT ROD,TRU-BALANCE 3 RECLINE	2
K1	WASMETR1083	WASHER,FLAT,BLACK ZINC,STEEL,6.4MM ID X 18MM OD X 1.6MM TH	2
L1	NUTNYLK1019	NUT,NYLOCK,BLACK ZINC,M6-1.0	2
M1	MEC122963	LIMIT STOP CUSHION,20MM OD X 10MM ID X 3MM THK	4
N1	FRM8120061	BUTTON,SEAT BACK PAN,TRU-BALANCE 3 RECLINE	3
O1	SCR8120019	SCREW,SHFH,BLACK ZINC,M6-1.0 X 16MM,CLASS 10.9	3
P1	SCR8120015	SCREW,THUMB,BLACK,CUSTOM,M6-1.0	1
Q1	MEC140345	TILT TO BACK SPACER PLATE	2

Manual Recline Backs

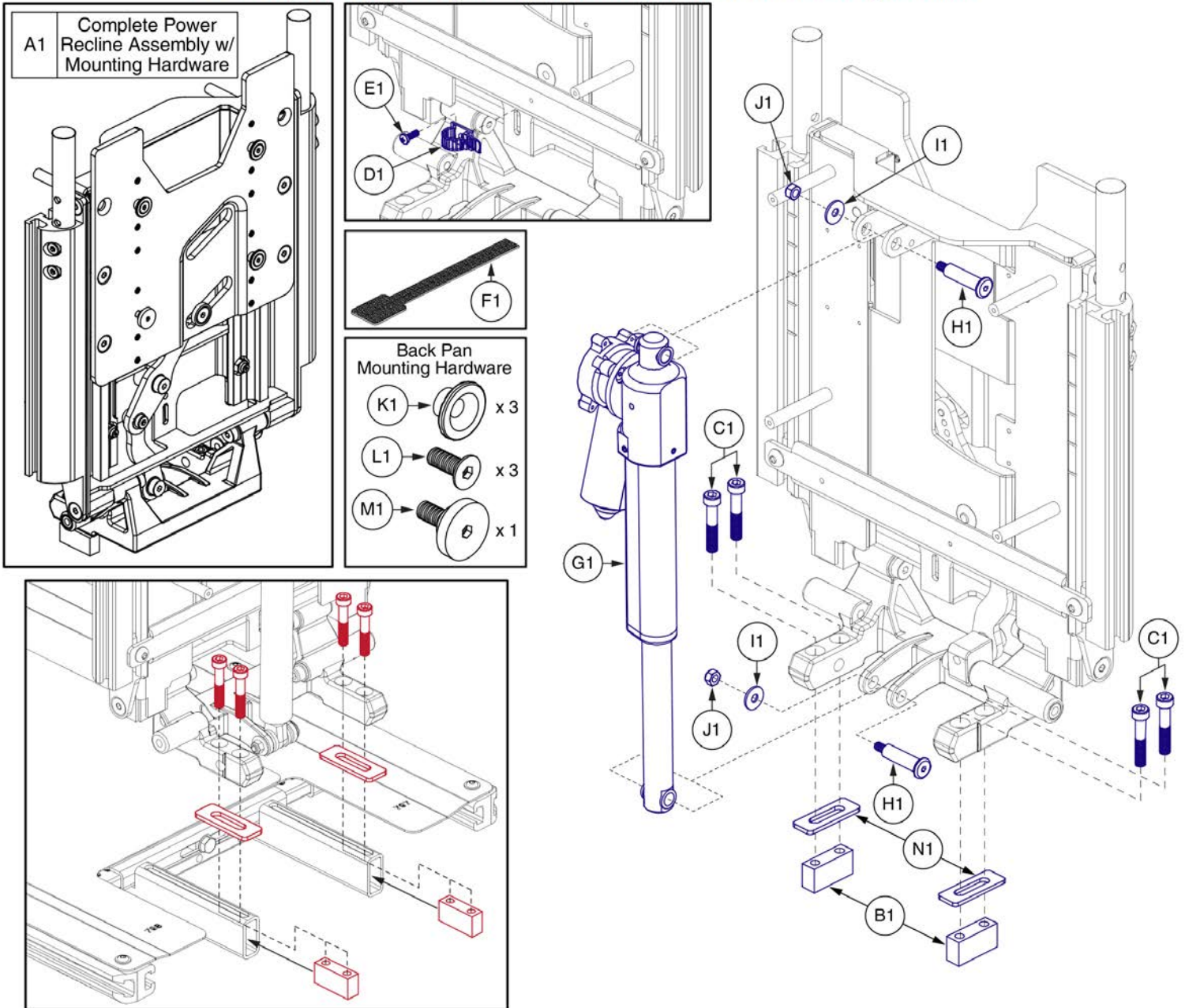
\*\*\*Only components with callouts are available for replacement.  
The complete assembly must be selected for all other components.\*\*\*



Item	Part No.	Name	Qty
A1	MEC1900586	MANUAL RECLINE BACK,ASSY,SHEAR REDUCTION,TRU-BALANCE 3.5 TILT	1
B1	MEC124940	LEVER,BRAKE,2 FINGER RELEASE, RIGHT HAND,FOR .875" [22.23MM] DIA HANDLEBAR,BLACK,DIA-TECH MX-99	1
C1	DWR1600B109	CABLE,W/END ADAPTER,BLACK,26"L,B-1600-109	1
D1	MEC1806703	SLOT BLOCK, LONG	2
E1	SCR8110007	SCREW,SHCS,BLACK ZINC,M8-1.25 X 40MM,W/NYLON PATCH	4
F1	HDW135288	WIRE CLIP,REUSABLE,BLACK,PLASTIC,(MICRO PLASTICS:NM22LCC1000B)	1
G1	SCRPPTC1021	SCREW, PPH,BZ,#8 X 1/2",THREAD CUTTING,TYPE 25	1
H1	VELDBLS1001	REUSABLE FASTENER,1/2"W X 8"L,HOOK & LOOP	1
I1	MEC122967	MANUAL RECLINE,ASSY,LOCKING GAS SPRING,TRU-BALANCE 3	1
J1	MEC131121	BOLT,PIVOT ROD,TRU-BALANCE 3 RECLINE	2
K1	WASMETR1083	WASHER,FLAT,BLACK ZINC,STEEL,6.4MM ID X 18MM OD X 1.6MM TH	2
L1	NUTNYLK1019	NUT,NYLOCK,BLACK ZINC,M6-1.0	2
M1	MEC122963	LIMIT STOP CUSHION,20MM OD X 10MM ID X 3MM THK	4
N1	FRM8120061	BUTTON,SEAT BACK PAN,TRU-BALANCE 3 RECLINE	3
O1	SCR8120019	SCREW,SHFH,BLACK ZINC,M6-1.0 X 16MM,CLASS 10.9	3
P1	SCR8120015	SCREW,THUMB,BLACK,CUSTOM,M6-1.0	1
Q1	MEC140345	TILT TO BACK SPACER PLATE	2

Power Recline Backs

\*\*\*Only components with callouts are available for replacement.  
The complete assembly must be selected for all other components.\*\*\*



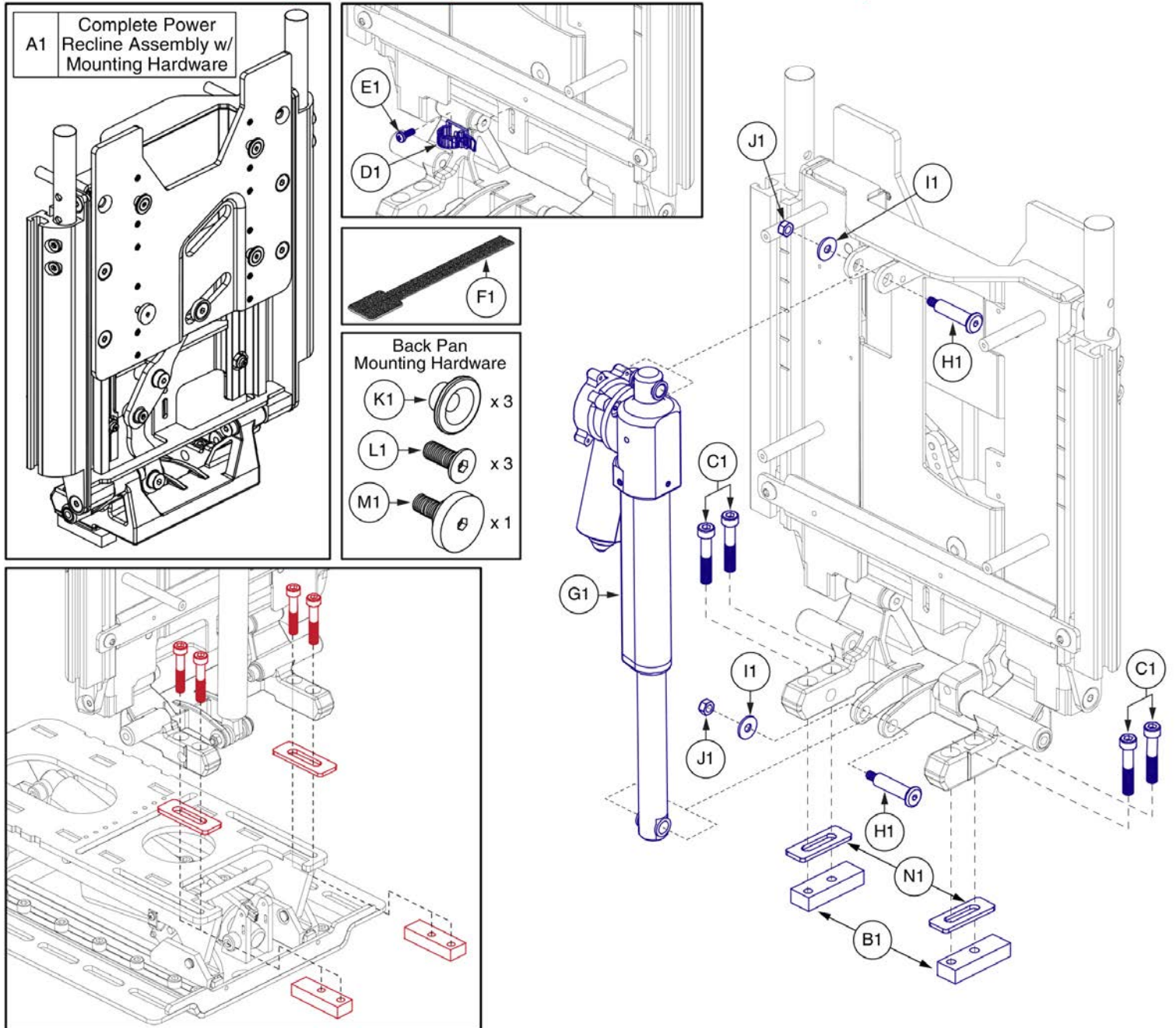
# Power Recline Back Assy, TB3



Item	Part No.	Name	Qty
A1	MEC134758	POWER RECLINE BACK,ASSY,SHEAR REDUCTION,TB3 RECLINE	1
B1	MEC121721	BACK TO BASE SLOT BLOCK,TRU BALANCE 3	2
C1	SCR8110007	SCREW,SHCS,BLACK ZINC,M8-1.25 X 40MM,W/NYLON PATCH	4
D1	HDW135288	WIRE CLIP,REUSABLE,BLACK,PLASTIC,(MICRO PLASTICS:NM22LCC1000B)	1
E1	SCRPPTC1021	SCREW, PPH,BZ,#8 X 1/2",THREAD CUTTING,TYPE 25	1
F1	VELDBLS1001	REUSABLE FASTENER,1/2"W X 8"L,HOOK & LOOP	1
G1	ACT8120001	ACTUATOR,LINEAR,TRU BALANCE 3 RECLINE	1
H1	MEC131121	BOLT,PIVOT ROD,TRU-BALANCE 3 RECLINE	2
I1	WASMETR1083	WASHER,FLAT,BLACK ZINC,STEEL,6.4MM ID X 18MM OD X 1.6MM TH	2
J1	NUTNYLK1019	NUT,NYLOCK,BLACK ZINC,M6-1.0	2
K1	FRM8120061	BUTTON,SEAT BACK PAN,TRU-BALANCE 3 RECLINE	3
L1	SCR8120019	SCREW,SHFH,BLACK ZINC,M6-1.0 X 16MM,CLASS 10.9	3
M1	SCR8120015	SCREW,THUMB,BLACK,CUSTOM,M6-1.0	1
N1	MEC140345	TILT TO BACK SPACER PLATE	2

Power Recline Backs

\*\*\*Only components with callouts are available for replacement.  
The complete assembly must be selected for all other components.\*\*\*





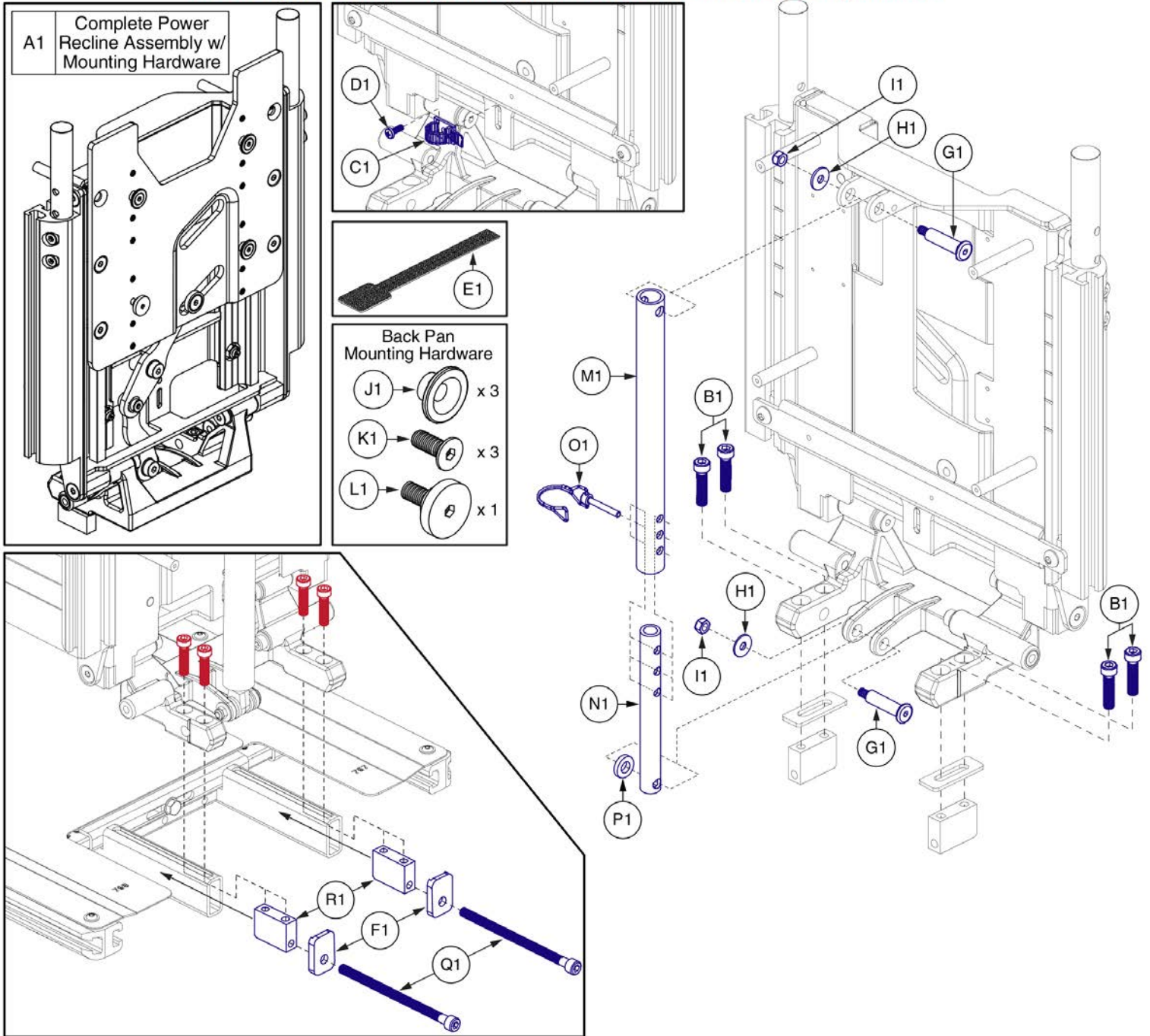
Power Recline Back Assy, for TB3.5 (V2) Tilt Seat



Item	Part No.	Name	Qty
A1	MEC1904112	POWER RECLINE BACK,ASSY,SHEAR REDUCTION,TRU-BALANCE 3.5 RECLINE,W/MOUNTING HARDWARE	1
B1	MEC1806703	SLOT BLOCK, LONG	2
C1	SCR8110007	SCREW,SHCS,BLACK ZINC,M8-1.25 X 40MM,W/NYLON PATCH	4
D1	HDW135288	WIRE CLIP,REUSABLE,BLACK,PLASTIC,(MICRO PLASTICS:NM22LCC1000B)	1
E1	SCRPPTC1021	SCREW, PPH,BZ,#8 X 1/2",THREAD CUTTING,TYPE 25	1
F1	VELDBLS1001	REUSABLE FASTENER,1/2"W X 8"L,HOOK & LOOP	1
G1	ACT8120001	ACTUATOR,LINEAR,TRU BALANCE 3 RECLINE	1
H1	MEC131121	BOLT,PIVOT ROD,TRU-BALANCE 3 RECLINE	2
I1	WASMETR1083	WASHER,FLAT,BLACK ZINC,STEEL,6.4MM ID X 18MM OD X 1.6MM TH	2
J1	NUTNYLK1019	NUT,NYLOCK,BLACK ZINC,M6-1.0	2
K1	FRM8120061	BUTTON,SEAT BACK PAN,TRU-BALANCE 3 RECLINE	3
L1	SCR8120019	SCREW,SHFH,BLACK ZINC,M6-1.0 X 16MM,CLASS 10.9	3
M1	SCR8120015	SCREW,THUMB,BLACK,CUSTOM,M6-1.0	1
N1	MEC140345	TILT TO BACK SPACER PLATE	2

Static Backs

\*\*\*Only components with callouts are available for replacement.  
The complete assembly must be selected for all other components.\*\*\*



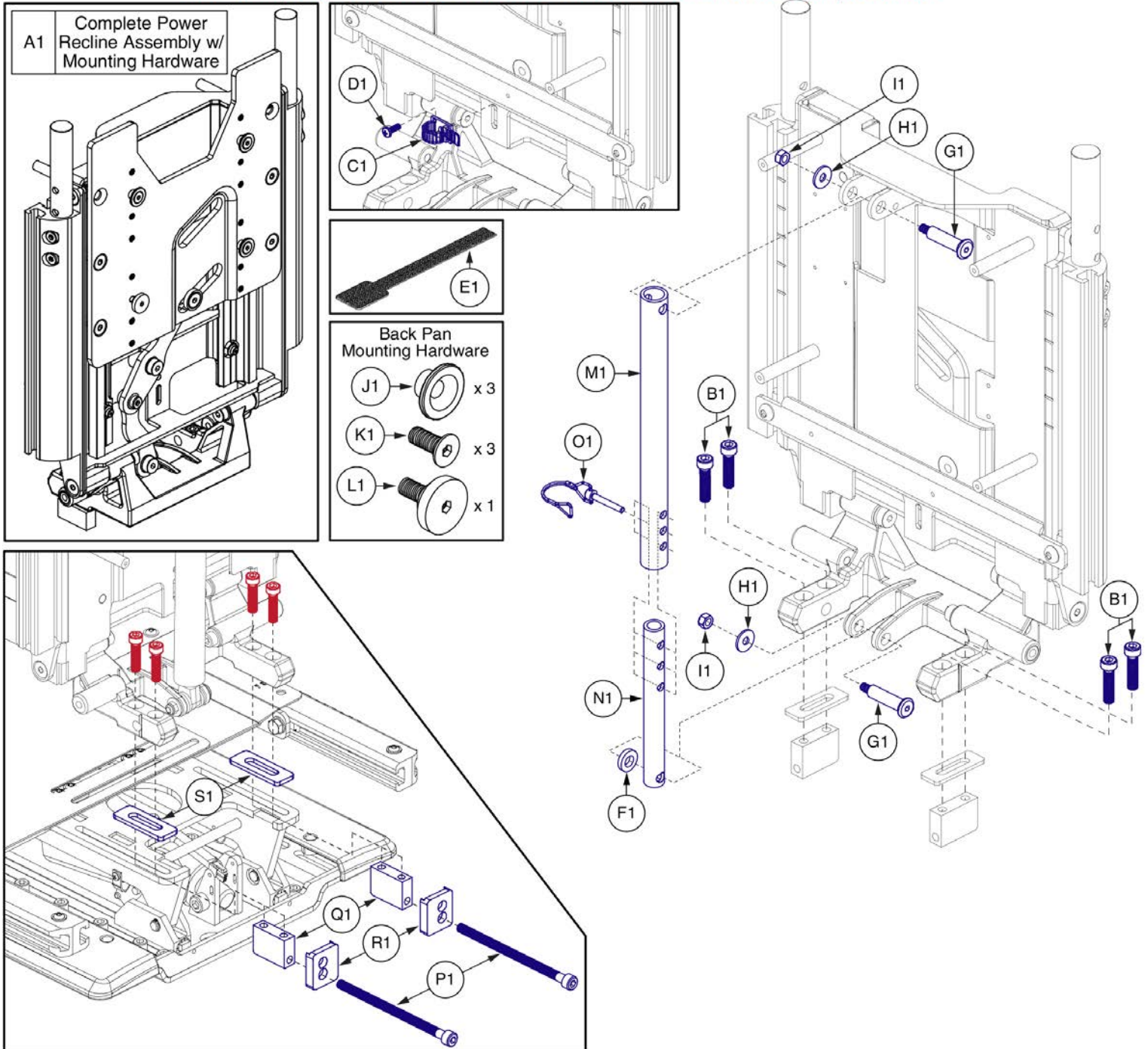
# Static Back, Seat Only TB3, Occupied Transit



Item	Part No.	Name	Qty
A1	MEC155470	STATIC BACK,ASSY,MAIN,NON SHEAR REDUCTION,TRU-BALANCE 3 TILT,W/MOUNTING HARDWARE,WC19	1
B1	SCR8110007	SCREW,SHCS,BLACK ZINC,M8-1.25 X 40MM,W/NYLON PATCH	4
C1	HDW135288	WIRE CLIP,REUSABLE,BLACK,PLASTIC,(MICRO PLASTICS:NM22LCC1000B)	1
D1	SCRPPTC1021	SCREW, PPH,BZ,#8 X 1/2",THREAD CUTTING,TYPE 25	1
E1	VELDBLS1001	REUSABLE FASTENER,1/2"W X 8"L,HOOK & LOOP	1
F1	MEC141990	TUBE CAP	1
G1	MEC131121	BOLT,PIVOT ROD,TRU-BALANCE 3 RECLINE	2
H1	WASMETR1083	WASHER,FLAT,BLACK ZINC,STEEL,6.4MM ID X 18MM OD X 1.6MM TH	2
I1	NUTNYLK1019	NUT,NYLOCK,BLACK ZINC,M6-1.0	2
J1	FRM8120061	BUTTON,SEAT BACK PAN,TRU-BALANCE 3 RECLINE	3
K1	SCR8120019	SCREW,SHFH,BLACK ZINC,M6-1.0 X 16MM,CLASS 10.9	3
L1	SCR8120015	SCREW,THUMB,BLACK,CUSTOM,M6-1.0	1
M1	MEC141992	UPPER TELESCOPIC TUBE	2
N1	MEC141993	LOWER TELESCOPIC TUBE	1
O1	HDW155565	PIN, WIRE LOCK,5/16" DIA X 2" LONG,STEEL,BLACK ZINC	1
P1	MEC122963	LIMIT STOP CUSHION,20MM OD X 10MM ID X 3MM THK	1
Q1	SCR8120022	SCREW,SHCS,BLACK ZINC,M8-1.25 X 135MM,CUSTOM	1
R1	MEC141991	BACK TO BASE ANCHOR BLOCK	1

Static Backs

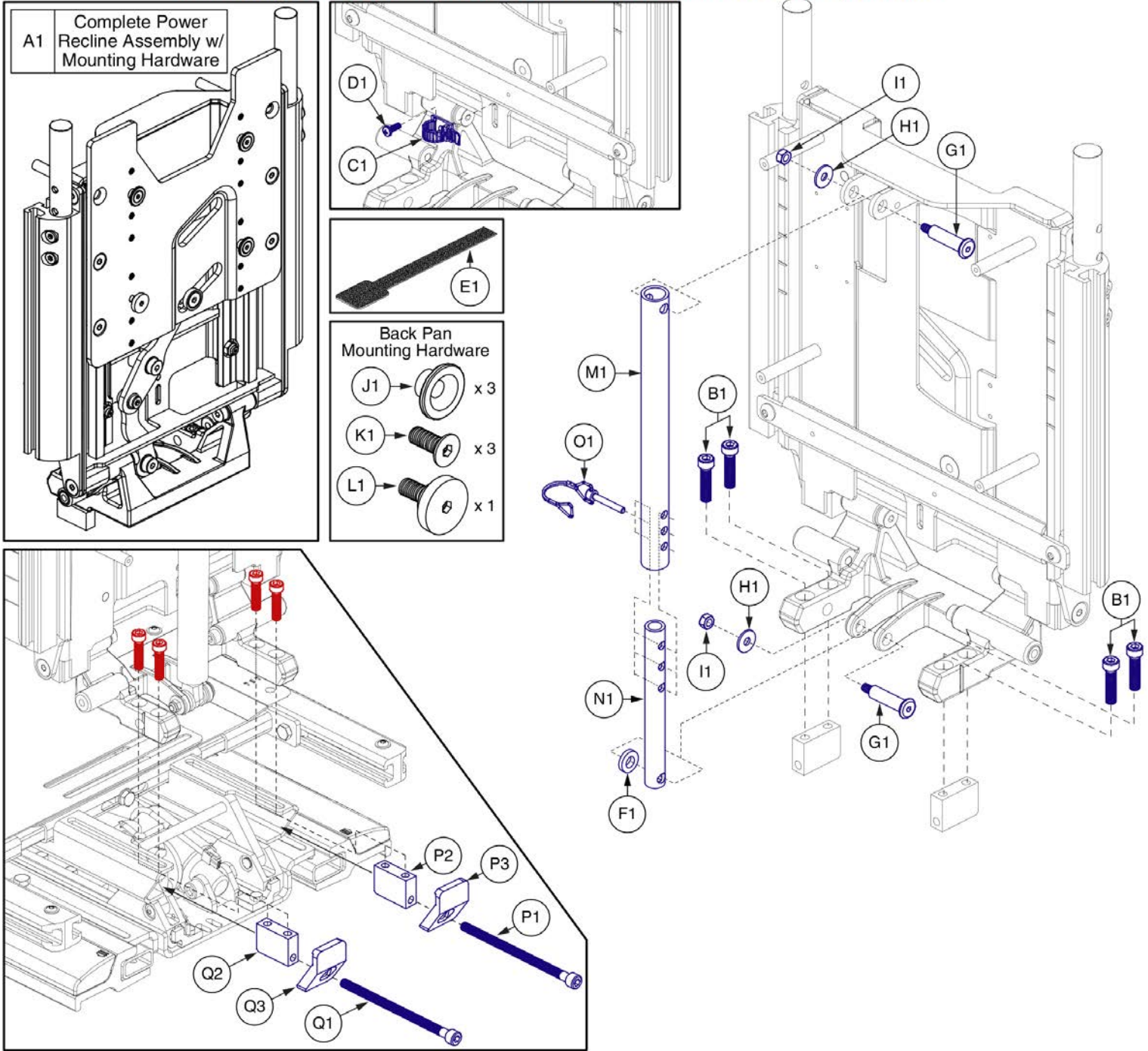
\*\*\*Only components with callouts are available for replacement.  
The complete assembly must be selected for all other components.\*\*\*



Item	Part No.	Name	Qty
A1	MEC165253	STATIC BACK,ASSY,MAIN,NON SHEAR REDUCTION,TRU-BALANCE 3.5 TILT,W/MOUNTING HARDWARE,WC19	1
B1	SCR8110007	SCREW,SHCS,BLACK ZINC,M8-1.25 X 40MM,W/NYLON PATCH	4
C1	HDW135288	WIRE CLIP,REUSABLE,BLACK,PLASTIC,(MICRO PLASTICS:NM22LCC1000B)	1
D1	SCRPPTC1021	SCREW, PPH,BZ,#8 X 1/2",THREAD CUTTING,TYPE 25	1
E1	VELDBLS1001	REUSABLE FASTENER,1/2"W X 8"L,HOOK & LOOP	1
F1	MEC122963	LIMIT STOP CUSHION,20MM OD X 10MM ID X 3MM THK	1
G1	MEC131121	BOLT,PIVOT ROD,TRU-BALANCE 3 RECLINE	2
H1	WASMETR1083	WASHER,FLAT,BLACK ZINC,STEEL,6.4MM ID X 18MM OD X 1.6MM TH	2
I1	NUTNYLK1019	NUT,NYLOCK,BLACK ZINC,M6-1.0	2
J1	FRM8120061	BUTTON,SEAT BACK PAN,TRU-BALANCE 3 RECLINE	3
K1	SCR8120019	SCREW,SHFH,BLACK ZINC,M6-1.0 X 16MM,CLASS 10.9	3
L1	SCR8120015	SCREW,THUMB,BLACK,CUSTOM,M6-1.0	1
M1	MEC141992	UPPER TELESCOPIC TUBE	2
N1	MEC141993	LOWER TELESCOPIC TUBE	1
O1	HDW155565	PIN, WIRE LOCK,5/16" DIA X 2" LONG,STEEL,BLACK ZINC	1
P1	SCR8120022	SCREW,SHCS,BLACK ZINC,M8-1.25 X 135MM,CUSTOM	2
Q1	MEC141991	BACK TO BASE ANCHOR BLOCK	2
R1	MEC160198	CAP HOOK	2
S1	MEC140345	TILT TO BACK SPACER PLATE	2

Static Backs

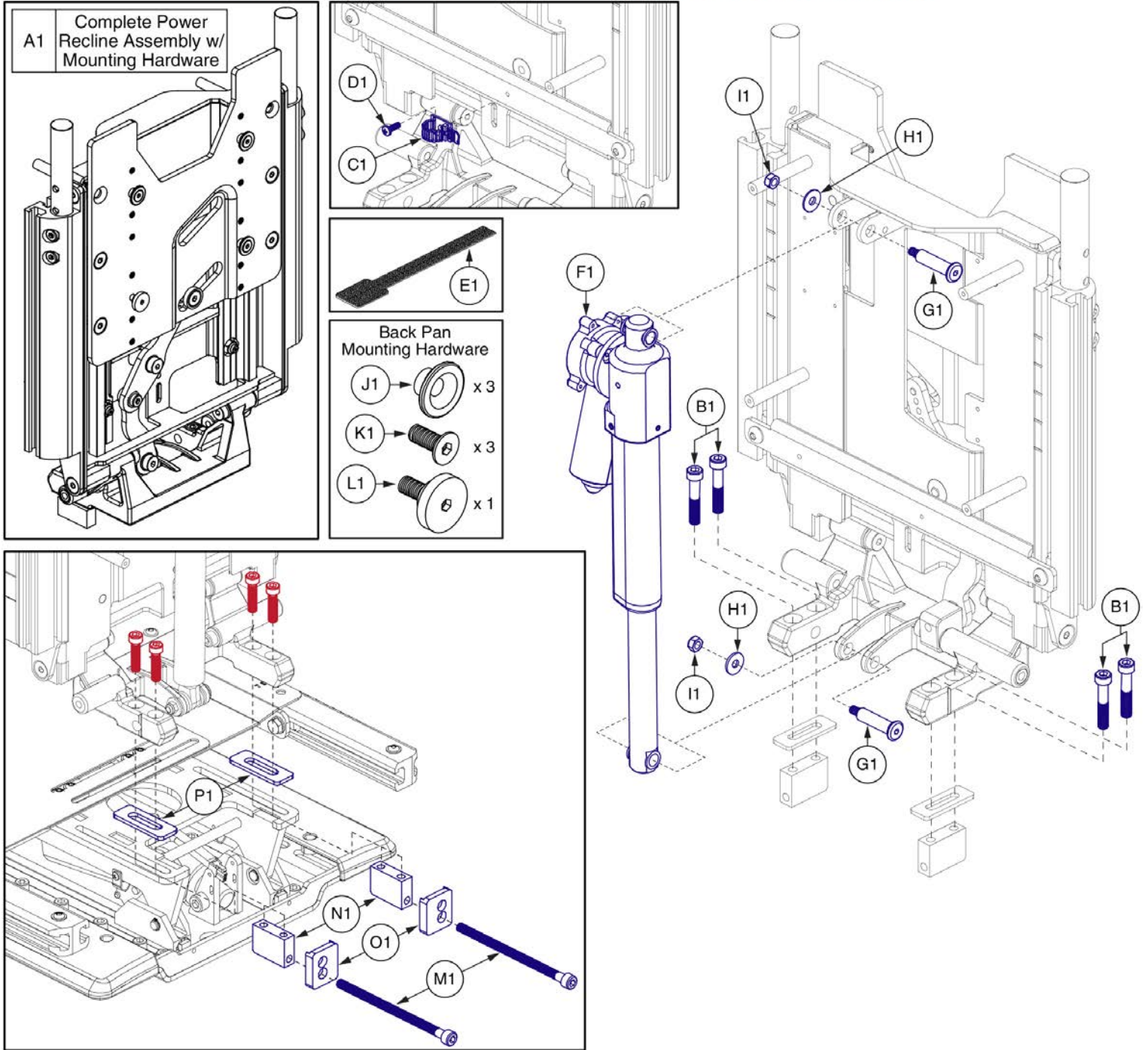
\*\*\*Only components with callouts are available for replacement.  
The complete assembly must be selected for all other components.\*\*\*



Item	Part No.	Name	Qty
A1	MEC155470	STATIC BACK,ASSY,MAIN,NON SHEAR REDUCTION,TRU-BALANCE 3 TILT,W/MOUNTING HARDWARE,WC19	1
B1	SCR8110007	SCREW,SHCS,BLACK ZINC,M8-1.25 X 40MM,W/NYLON PATCH	4
C1	HDW135288	WIRE CLIP,REUSABLE,BLACK,PLASTIC,(MICRO PLASTICS:NM22LCC1000B)	1
D1	SCRPPTC1021	SCREW, PPH,BZ,#8 X 1/2",THREAD CUTTING,TYPE 25	1
E1	VELDBLS1001	REUSABLE FASTENER,1/2"W X 8"L,HOOK & LOOP	1
F1	MEC122963	LIMIT STOP CUSHION,20MM OD X 10MM ID X 3MM THK	1
G1	MEC131121	BOLT,PIVOT ROD,TRU-BALANCE 3 RECLINE	2
H1	WASMETR1083	WASHER,FLAT,BLACK ZINC,STEEL,6.4MM ID X 18MM OD X 1.6MM TH	2
I1	NUTNYLK1019	NUT,NYLOCK,BLACK ZINC,M6-1.0	2
J1	FRM8120061	BUTTON,SEAT BACK PAN,TRU-BALANCE 3 RECLINE	3
K1	SCR8120019	SCREW,SHFH,BLACK ZINC,M6-1.0 X 16MM,CLASS 10.9	3
L1	SCR8120015	SCREW,THUMB,BLACK,CUSTOM,M6-1.0	1
M1	MEC141992	UPPER TELESCOPIC TUBE	2
N1	MEC141993	LOWER TELESCOPIC TUBE	1
O1	HDW155565	PIN, WIRE LOCK,5/16" DIA X 2" LONG,STEEL,BLACK ZINC	1
P1 - P3	MEC150962	POWER RECLINE, TB3,WC19,MOUNTING HARDWARE,RIGHT	1
P1	SCR8120022	SCREW,SHCS,BLACK ZINC,M8-1.25 X 135MM,CUSTOM	1
P2	MEC141991	BACK TO BASE ANCHOR BLOCK	1
P3	MEC145469	TUBE CAP, RIGHT	1
Q1 - Q3	MEC150961	POWER RECLINE, TB3,WC19,MOUNTING HARDWARE,LEFT	1
Q1	SCR8120022	SCREW,SHCS,BLACK ZINC,M8-1.25 X 135MM,CUSTOM	1
Q2	MEC141991	BACK TO BASE ANCHOR BLOCK	1
Q3		TUBE CAP, LEFT	1

**Power Recline Backs**

**\*\*\*Only components with callouts are available for replacement.  
The complete assembly must be selected for all other components.\*\*\***

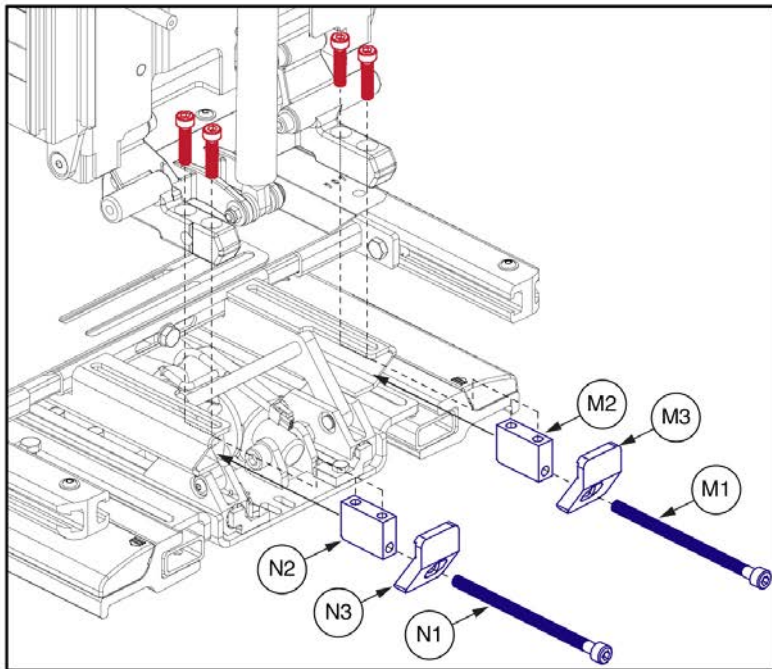
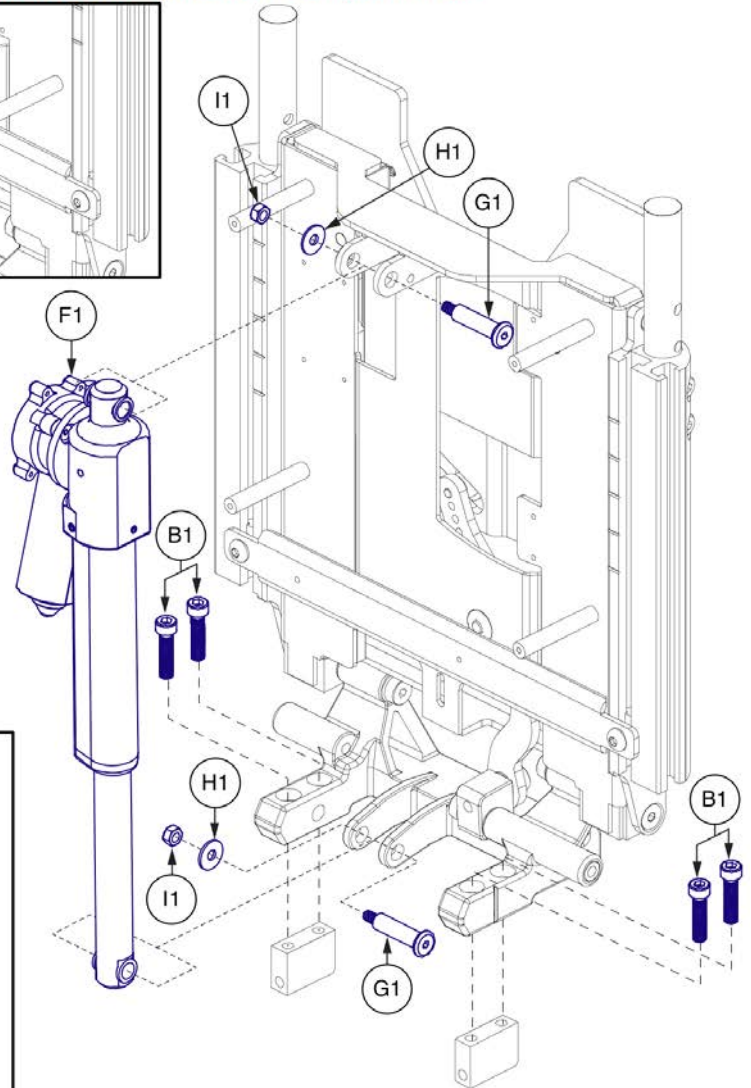
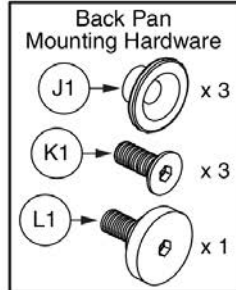
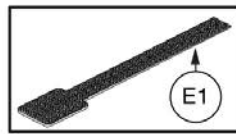
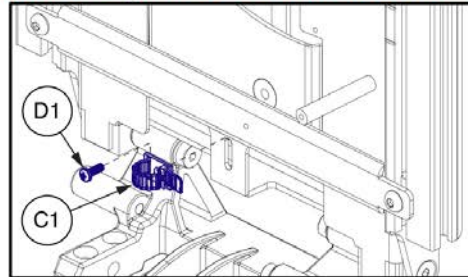
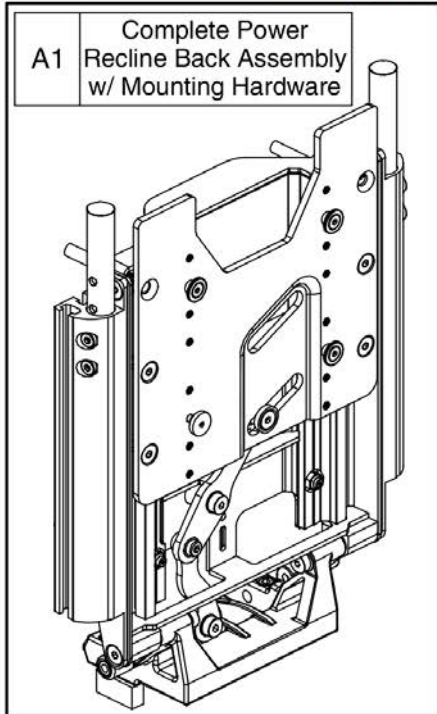




Item	Part No.	Name	Qty
A1	MEC169166	POWER RECLINE BACK,ASSY,SHEAR REDUCTION,TRU-BALANCE 3.5 RECLINE,W/MOUNTING HARDWARE,WC19	1
B1	HDW138550	SCR,SHCS,M8-1.25 X 35MM,CLASS 12.9,BZ,PATCH IFI-524	4
C1	HDW135288	WIRE CLIP,REUSABLE,BLACK,PLASTIC,(MICRO PLASTICS:NM22LCC1000B)	1
D1	SCRPPTC1021	SCREW, PPH,BZ,#8 X 1/2",THREAD CUTTING,TYPE 25	1
E1	VELDBLS1001	REUSABLE FASTENER,1/2"W X 8"L,HOOK & LOOP	1
F1	ACT8120001	ACTUATOR,LINEAR,TRU BALANCE 3 RECLINE	1
G1	MEC131121	BOLT,PIVOT ROD,TRU-BALANCE 3 RECLINE	2
H1	WASMETR1083	WASHER,FLAT,BLACK ZINC,STEEL,6.4MM ID X 18MM OD X 1.6MM TH	2
I1	NUTNYLK1019	NUT,NYLOCK,BLACK ZINC,M6-1.0	2
J1	FRM8120061	BUTTON,SEAT BACK PAN,TRU-BALANCE 3 RECLINE	3
K1	SCR8120019	SCREW,SHFH,BLACK ZINC,M6-1.0 X 16MM,CLASS 10.9	3
L1	SCR8120015	SCREW,THUMB,BLACK,CUSTOM,M6-1.0	1
M1	SCR8120022	SCREW,SHCS,BLACK ZINC,M8-1.25 X 135MM,CUSTOM	2
N1	MEC141991	BACK TO BASE ANCHOR BLOCK	2
O1	MEC160198	CAP HOOK	2
P1	MEC140345	TILT TO BACK SPACER PLATE	2

**Power Recline Backs**

**\*\*\*Only components with callouts are available for replacement.  
The complete assembly must be selected for all other components.\*\*\***

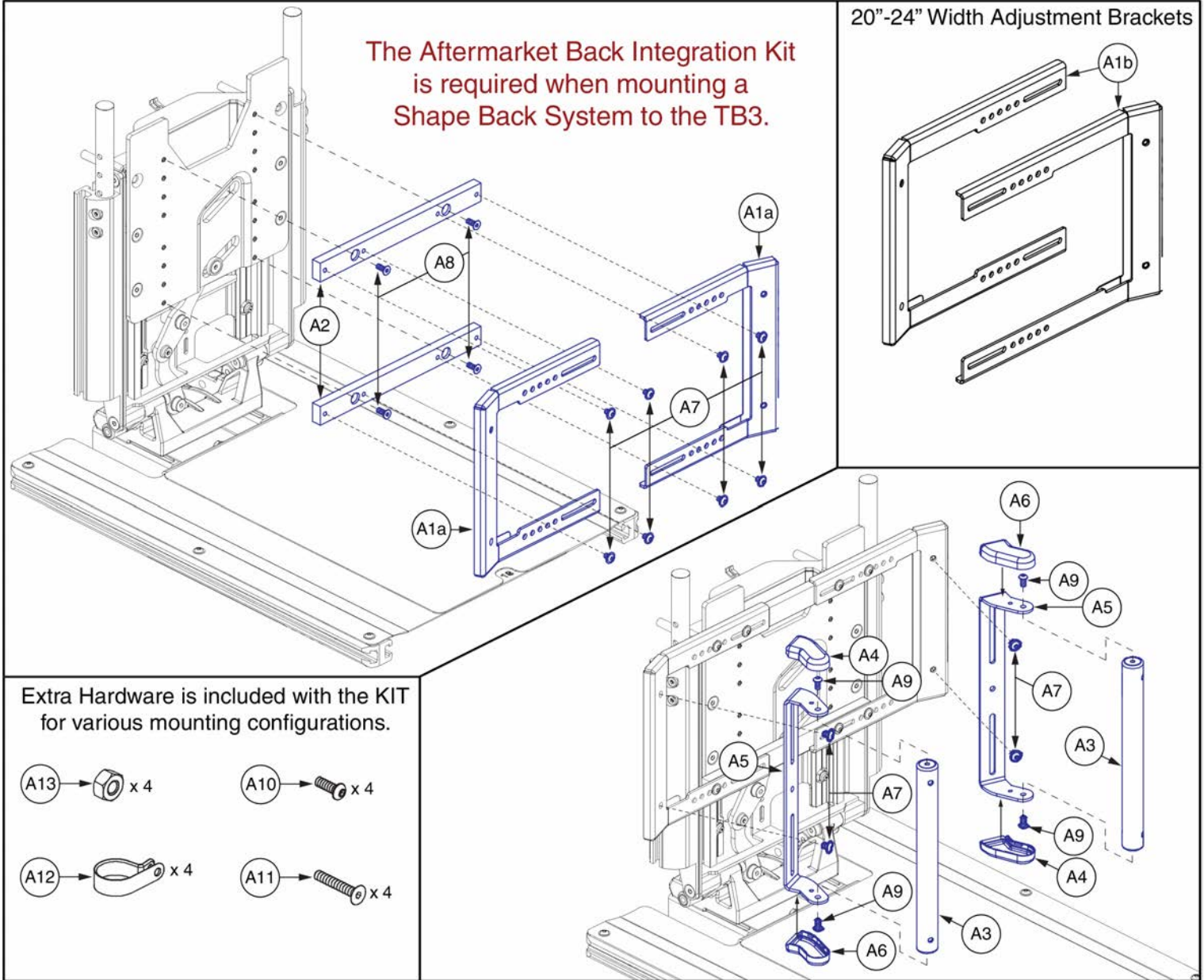


Item	Part No.	Name	Qty
A1	MEC150960	POWER RECLINE BACK,ASSY,SHEAR REDUCTION,TRU-BALANCE 3 RECLINE,W/MOUNTING HARDWARE,WC19	1
B1	HDW138550	SCR,SHCS,M8-1.25 X 35MM,CLASS 12.9,BZ,PATCH IFI-524	4
C1	HDW135288	WIRE CLIP,REUSABLE,BLACK,PLASTIC,(MICRO PLASTICS:NM22LCC1000B)	1
D1	SCRPPTC1021	SCREW, PPH,BZ,#8 X 1/2",THREAD CUTTING,TYPE 25	1
E1	VELDBLS1001	REUSABLE FASTENER,1/2"W X 8"L,HOOK & LOOP	1
F1	ACT8120001	ACTUATOR,LINEAR,TRU BALANCE 3 RECLINE	1
G1	MEC131121	BOLT,PIVOT ROD,TRU-BALANCE 3 RECLINE	2
H1	WASMETR1083	WASHER,FLAT,BLACK ZINC,STEEL,6.4MM ID X 18MM OD X 1.6MM TH	2
I1	NUTNYLK1019	NUT,NYLOCK,BLACK ZINC,M6-1.0	2
J1	FRM8120061	BUTTON,SEAT BACK PAN,TRU-BALANCE 3 RECLINE	3
K1	SCR8120019	SCREW,SHFH,BLACK ZINC,M6-1.0 X 16MM,CLASS 10.9	3
L1	SCR8120015	SCREW,THUMB,BLACK,CUSTOM,M6-1.0	1
M1 - M3	MEC150962	POWER RECLINE,TB3,WC19,MOUNTING HARDWARE,RIGHT	1
M1	SCR8120022	SCREW,SHCS,BLACK ZINC,M8-1.25 X 135MM,CUSTOM	1
M2	MEC141991	BACK TO BASE ANCHOR BLOCK	1
M3	MEC145469	TUBE CAP, RIGHT	1
N1 - N3	MEC150961	POWER RECLINE,TB3,WC19,MOUNTING HARDWARE,LEFT	1
N1	SCR8120022	SCREW,SHCS,BLACK ZINC,M8-1.25 X 135MM,CUSTOM	1
N2	MEC141991	BACK TO BASE ANCHOR BLOCK	1
N3		TUBE CAP, LEFT	1

3. Seat Back Assy's

The Aftermarket Back Integration Kit is required when mounting a Shape Back System to the TB3.

20"-24" Width Adjustment Brackets

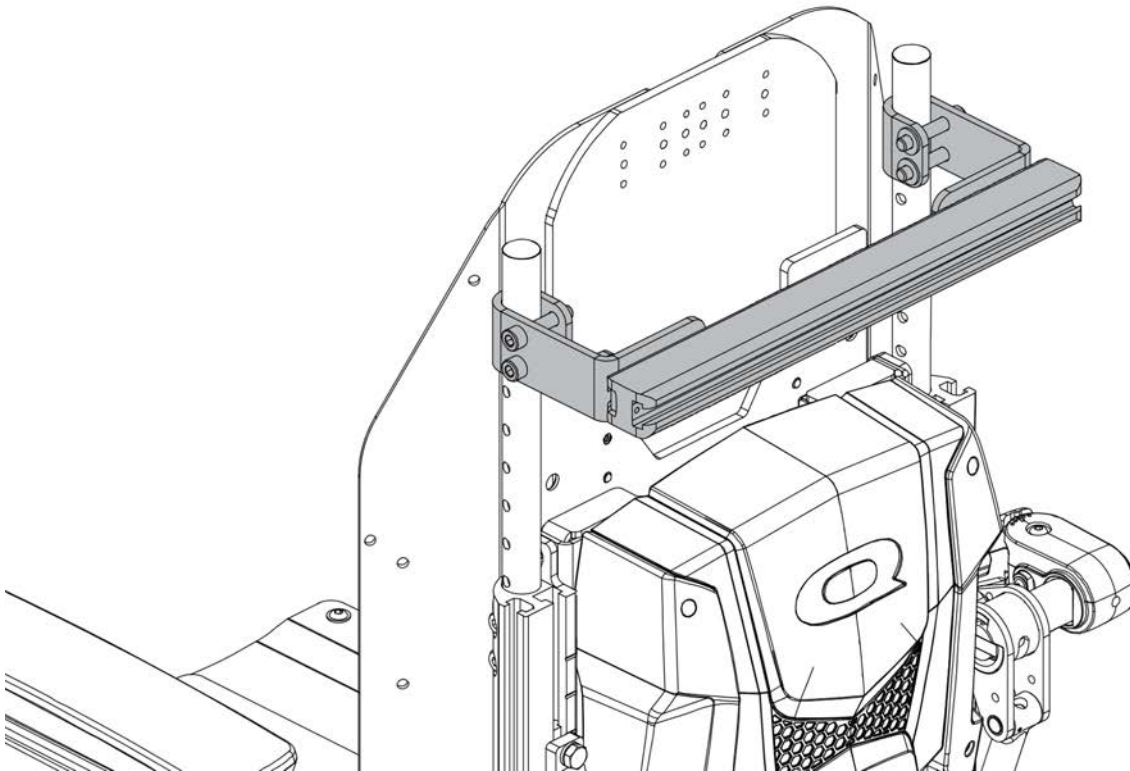
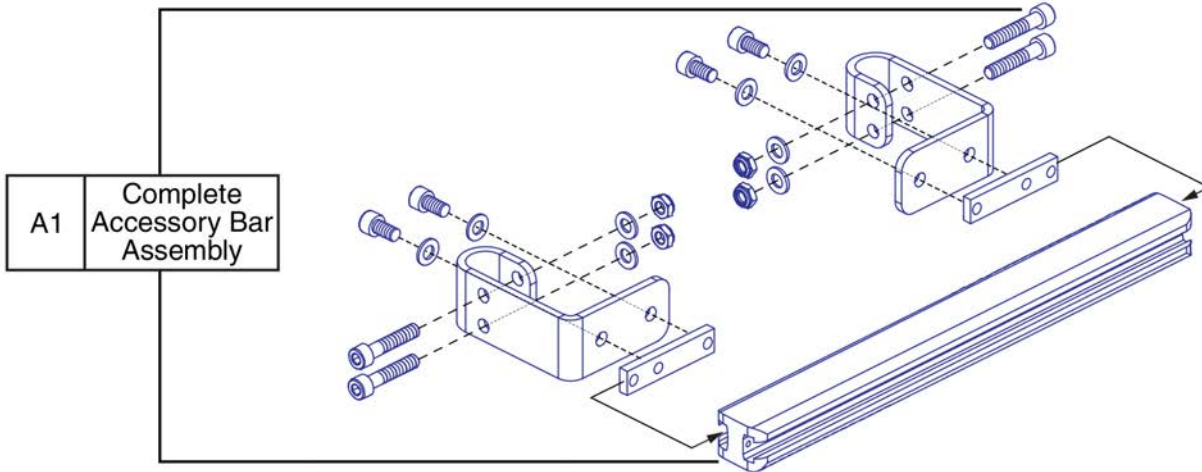


Extra Hardware is included with the KIT for various mounting configurations.

- A13 → [Nut] x 4
- A10 → [Screw] x 4
- A12 → [Washer] x 4
- A11 → [Screw] x 4

Item	Part No.	Name	Qty
A1a - B1	KIT153256	SEAT BACK,ASSY,16"W-20"W,AFTER MARKET BACK INTEGRATION,TB3 SEAT,W/INSTALLATION INSTRUCTIONS	1
A1a - A13		16"W-20"W,AFTER MARKET BACK INTEGRATION,TB3	1
A1a	MEC131667	BRACKET,WIDTH ADJUSTMENT,16"W-20"W,AFTER MARKET BACK	2
A1b - B1	KIT153257	SEAT BACK,ASSY,20"W-24"W,AFTER MARKET BACK INTEGRATION,TB3 SEAT,W/INSTALLATION INSTRUCTIONS	1
A1b - A13		20"W-24"W,AFTER MARKET BACK INTEGRATION,TB3	1
A1b	MEC131706	WIDTH ADJUSTMENT,20"W-24"W,AFTER MARKET BACK	1
A2	MEC131663	BAR,WIDTH ADJUSTMENT,AFTER MARKET BACK INTEGRATION	2
A3		WELDMENT,ADAPTER BACK CANE,RECLINE BACK INTEGRATION	2
A4		CAP,UPPER RIGHT,LOWER LEFT,RECLINE BACK INTEGRATION	2
A5		BRACKET,ADJUSTABLE CANE,RECLINE BACK INTEGRATION	2
A6		CAP,UPPER LEFT,LOWER RIGHT,RECLINE BACK INTEGRATION	2
A7	HDW121242	SCREW, BUTTON HEAD, FLANGED, M6X1.0 X 8, ISO 7380-2, CL 10.9, BZ, PVTP	12
A8	SCR8120019	SCREW,SHFH,BLACK ZINC,M6-1.0 X 16MM,CLASS 10.9	4
A9	SCRASBH1148	SCREW,BHSCS,BLACK ZINC,1/4-20 X 0.50",W/PATCH	4
A10	SCRASBH1014	SCREW,BHSCS,BLACK ZINC,1/4-20 X 0.750"	4
A11	SCRSHFH1047	SCREW,SHFH,BLACK ZINC,1/4-20 X 1.25"	4
A12	CLPCBLC1041	CLAMP,CABLE,STEEL,1.00" DIA,VINYL COATED	4
A13	NUTNYLK1014	NUT,NYLOCK,BLACK ZINC,1/4-20	4
B1	INFINF3198	INSTALL. INSTRUCTION,AFTER MARKET BACK INTERFACE,TB3	1

3. Seat Back Assy's



# Accessory Bar, TB3



Item	Part No.	Name	Qty
A1	MEC125098	ACCESSORY BAR,ASSY,REAR,TRU-BALANCE 3	1

3. Seat Back Assy's

Stealth Simple Solutions Adapter Plate		Notes:
<p><b>A1 Complete Assembly</b></p> <p>Notes: 1, 2, &amp; 3</p> <p>Back Mounting Hardware</p> <p>Adapter Assembly</p> <p>Owner's Manual</p>	<ol style="list-style-type: none"> <li>1. Includes the Owner's Manual and Back Mounting Hardware.</li> <li>2. For use with all versions of the TB3 Back.</li> <li>3. Compatible with back plates that have mounting hole locations spaced between 9 3/4" and 20 5/8" wide.</li> <li>4. The thumb screw is part of the TB3 back assembly and not included with the adapter plate A1.</li> <li>5. For enhanced securement of the adapter plate to the TB3 back, the thumb screw must be reinserted during installation.</li> </ol> <p>Contact Technical Service for more information .</p>	

**Installation and Adjustments**

<p><b>1</b></p> <p>Notes: 4 &amp; 5 - ⚠</p>	<p><b>2</b></p>	<p><b>3</b></p> <p>Notes: 4 &amp; 5</p>
---	-----------------	---

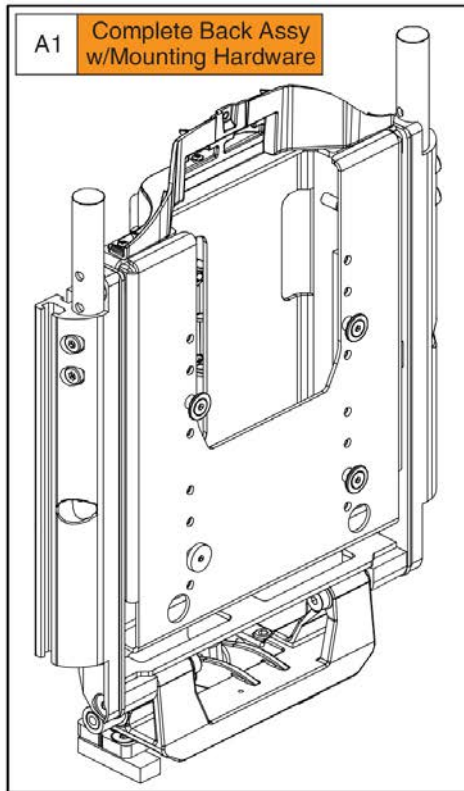
**Height Adjustment**

**Width Adjustment**

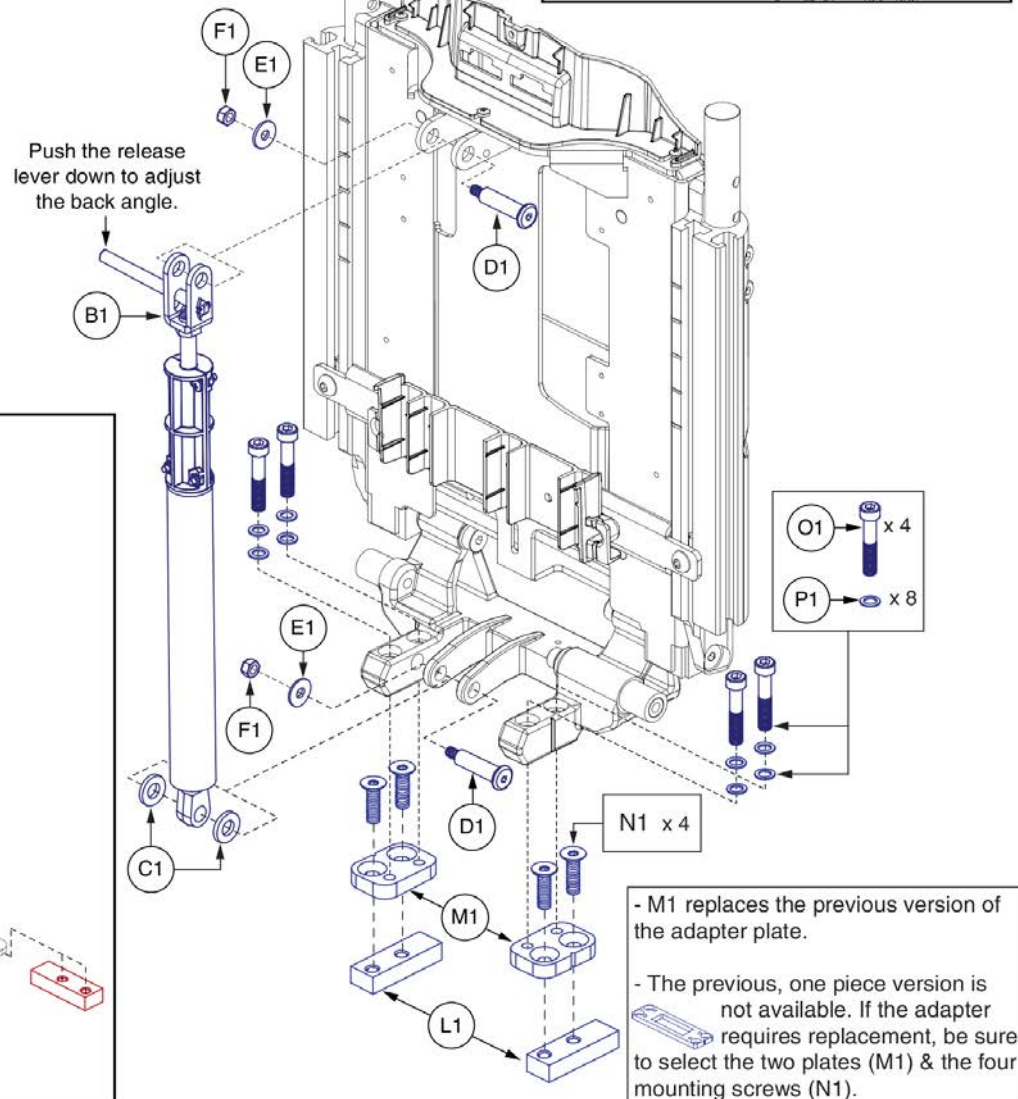
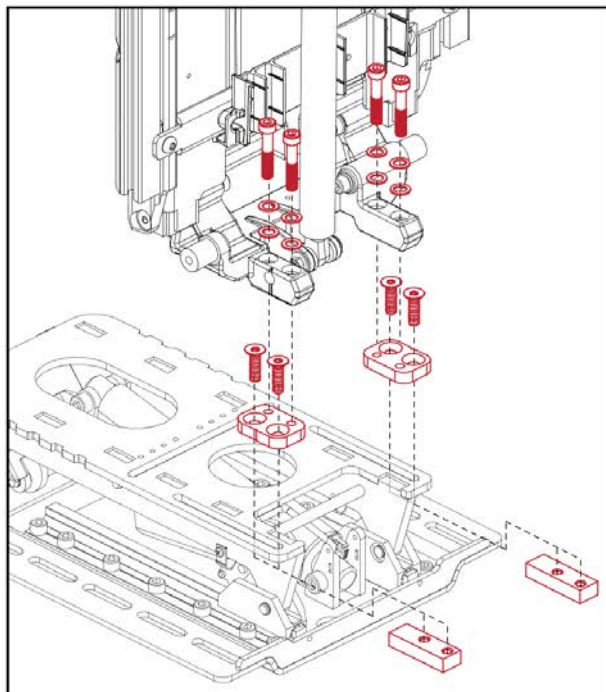
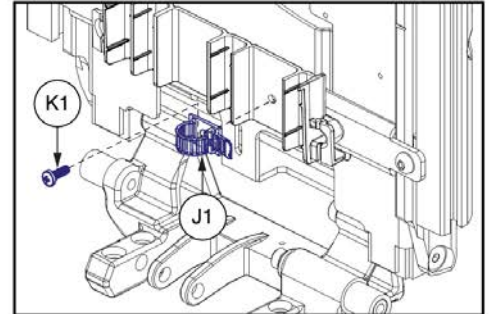
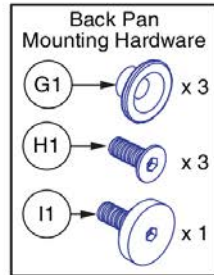


Item	Part No.	Name	Qty
A1	ST-SSAPT4-Q	STEALTH,SIMPLE SOLUTIONS ADAPTER PLATE,12"W-21"W, AFTER MARKET BACK INTEGRATION,TB3/REDESIGNED BACK SPINE	1

4.1. Static Backs



\*\*\*Only components with callouts are available for replacement. The complete assembly must be selected for all other components.\*\*\*

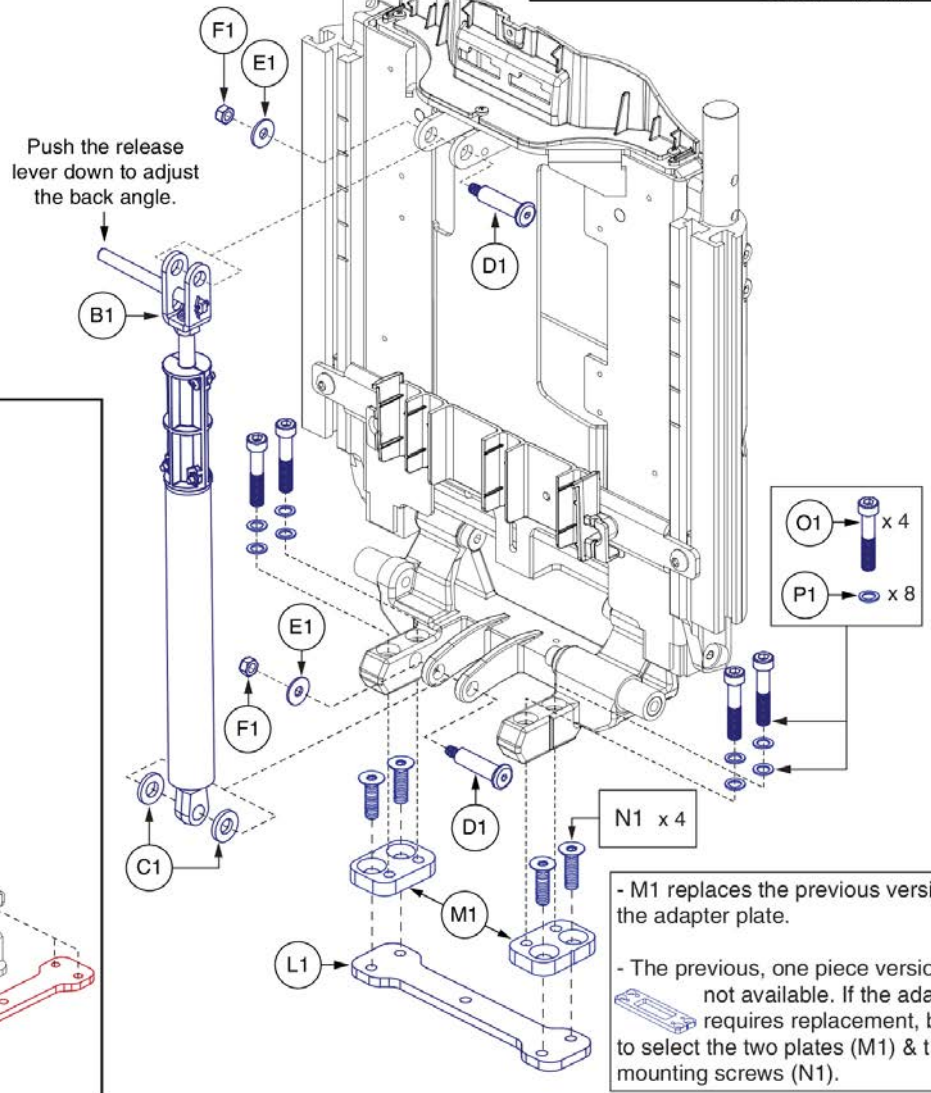
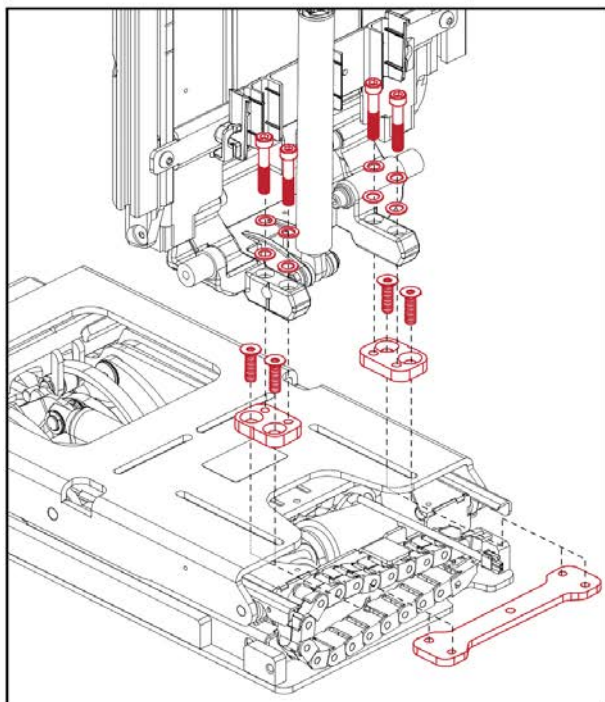
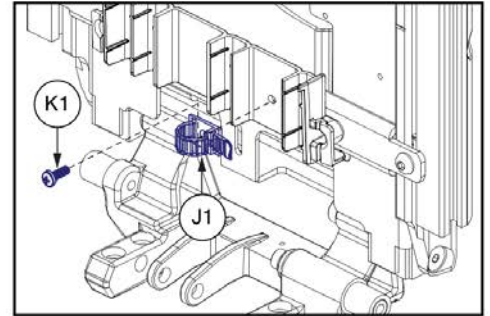
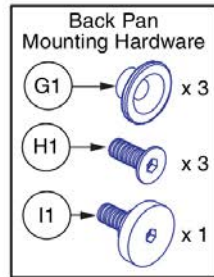
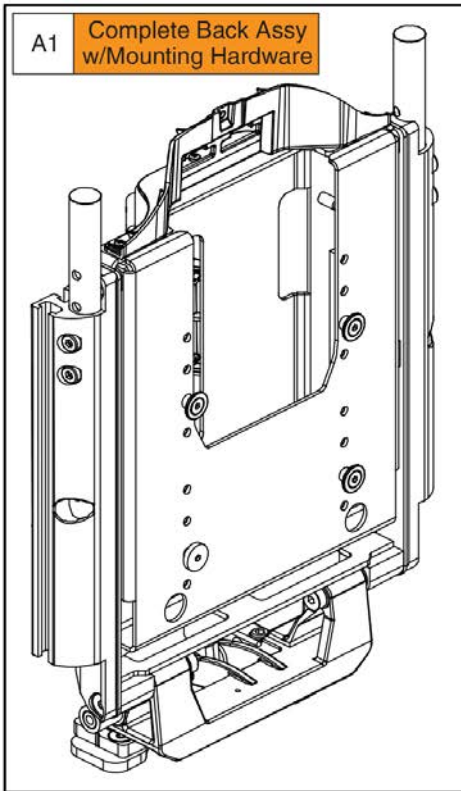


- M1 replaces the previous version of the adapter plate.  
 - The previous, one piece version is not available. If the adapter requires replacement, be sure to select the two plates (M1) & the four mounting screws (N1).

Item	Part No.	Name	Qty
A1	MEC1901103	STATIC BACK,ASSY,MAIN,NON SHEAR REDUCTION,REDESIGNED BACK,W/MOUNTING HARDWARE,TB3.5 TILT	1
B1	MEC125176	LOCKABLE GAS SPRING,ASSY,STATIC BACK,TRU-BALANCE 3	1
C1	MEC122963	LIMIT STOP CUSHION,20MM OD X 10MM ID X 3MM THK	2
D1	MEC131121	BOLT,PIVOT ROD,TRU-BALANCE 3 RECLINE	2
E1	WASMETR1083	WASHER,FLAT,BLACK ZINC,STEEL,6.4MM ID X 18MM OD X 1.6MM TH	2
F1	NUTNYLK1019	NUT,NYLOCK,BLACK ZINC,M6-1.0	2
G1	FRM8120061	BUTTON,SEAT BACK PAN,TRU-BALANCE 3 RECLINE	3
H1	HDW131509	SCREW, FLAT HEAD, M6X1.0 X 18, ISO 10624, CL 10.9, BZ, PVTP	3
I1	HDW1804080	THUMB SCREW, CUSTOM, M6X1.0, TB4	1
J1	HDW135288	WIRE CLIP,REUSABLE,BLACK,PLASTIC,(MICRO PLASTICS:NM22LCC1000B)	1
K1	SCRPPTC1021	SCREW, PPH,BZ,#8 X 1/2",THREAD CUTTING,TYPE 25	1
L1	MEC1806703	SLOT BLOCK, LONG	2
M1	MEC1805078	ADAPTER PLATE-TB4 BACK TO TB3 TILT	2
N1	HDW1905071	SCREW, FLAT HEAD, M8X1.25 X 30, ISO 10642, CL 10.9, BZ, PVTP	4
O1	HDW123425	SCREW, SOCKET HEAD, M8X1.25 X 30, ISO 4762, CL 12.9, BZ, PVTP	4
P1	HDW1908031	WASHER, SHIM, 8.2 ID X 12.7 OD X 1.0 THK, SST (DWG 1908031)	8

4.1. Static Backs

\*\*\*Only components with callouts are available for replacement. The complete assembly must be selected for all other components.\*\*\*



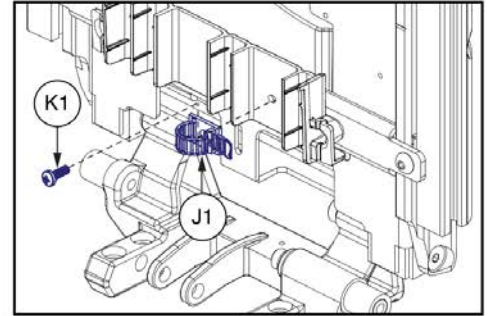
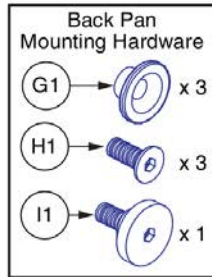
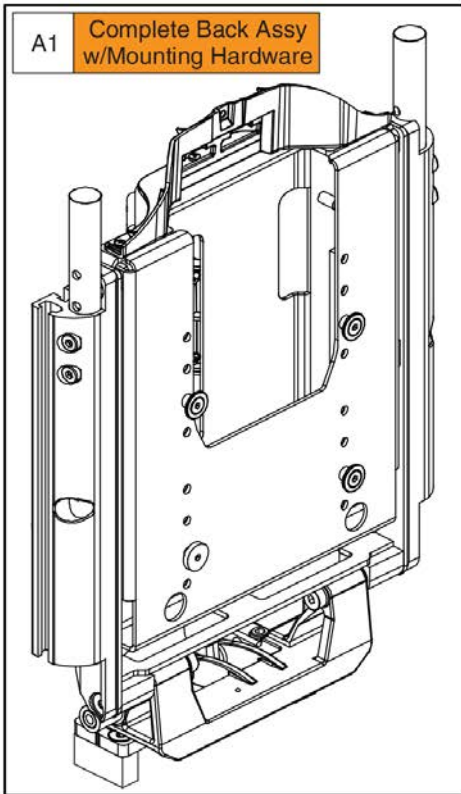
- M1 replaces the previous version of the adapter plate.

- The previous, one piece version is not available. If the adapter requires replacement, be sure to select the two plates (M1) & the four mounting screws (N1).

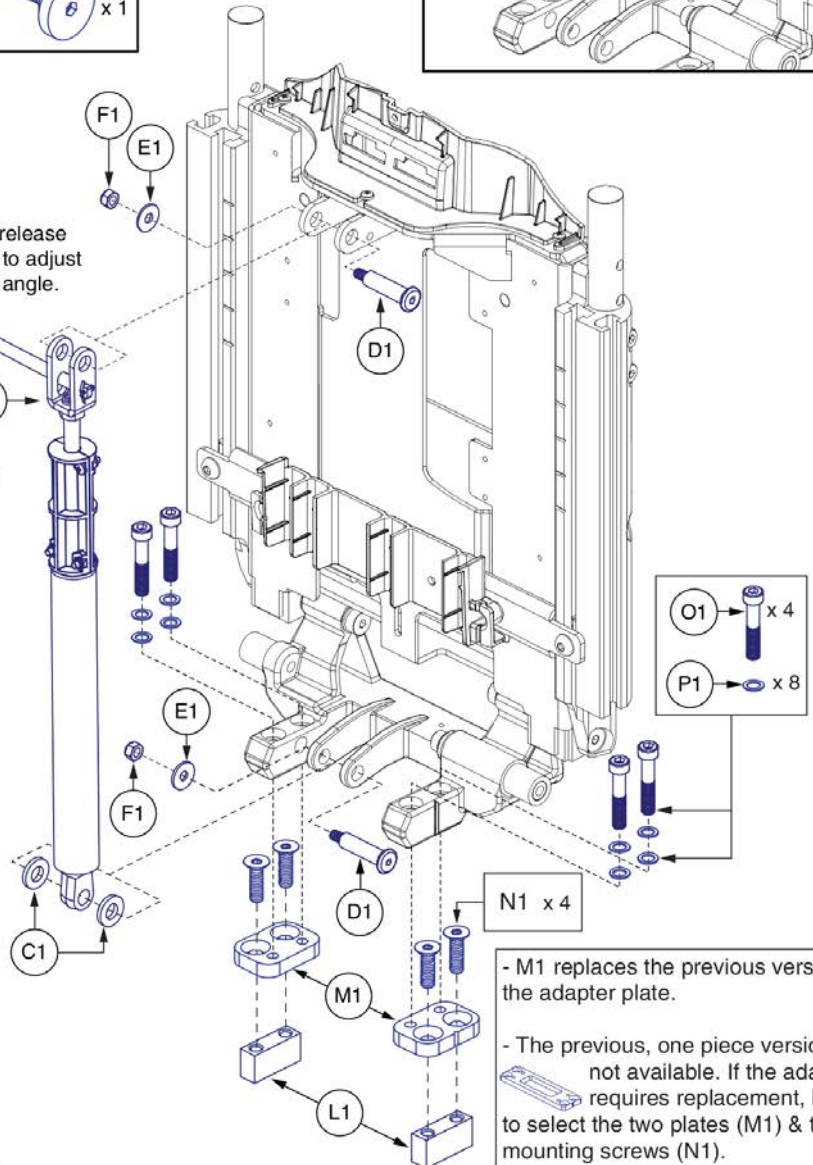
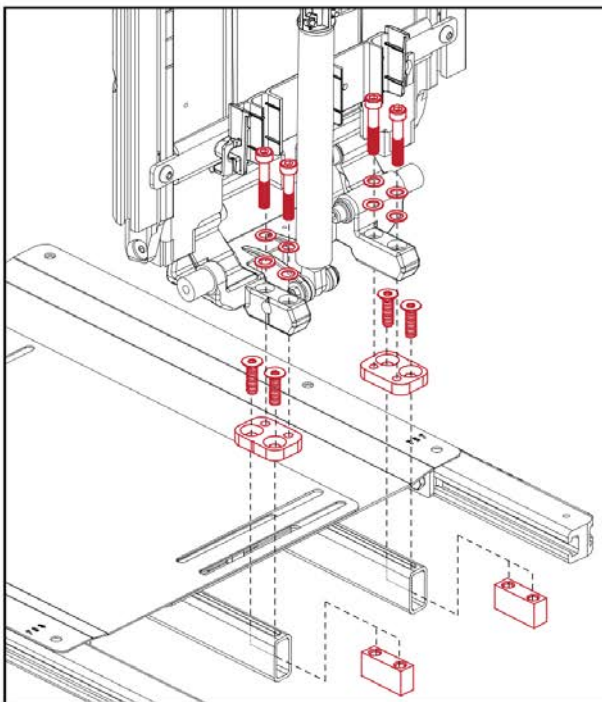
Item	Part No.	Name	Qty
A1	MEC1901106	STATIC BACK,ASSY,MAIN,NON SHEAR REDUCTION,REDESIGNED BACK,W/MOUNTING HARDWARE,REAC LIFT	1
B1	MEC125176	LOCKABLE GAS SPRING,ASSY,STATIC BACK,TRU-BALANCE 3	1
C1	MEC122963	LIMIT STOP CUSHION,20MM OD X 10MM ID X 3MM THK	2
D1	MEC131121	BOLT,PIVOT ROD,TRU-BALANCE 3 RECLINE	2
E1	WASMETR1083	WASHER,FLAT,BLACK ZINC,STEEL,6.4MM ID X 18MM OD X 1.6MM TH	2
F1	NUTNYLK1019	NUT,NYLOCK,BLACK ZINC,M6-1.0	2
G1	FRM8120061	BUTTON,SEAT BACK PAN,TRU-BALANCE 3 RECLINE	3
H1	HDW131509	SCREW, FLAT HEAD, M6X1.0 X 18, ISO 10624, CL 10.9, BZ, PVTP	3
I1	HDW1804080	THUMB SCREW, CUSTOM, M6X1.0, TB4	1
J1	HDW135288	WIRE CLIP,REUSABLE,BLACK,PLASTIC,(MICRO PLASTICS:NM22LCC1000B)	1
K1	SCRPPTC1021	SCREW, PPH,BZ,#8 X 1/2",THREAD CUTTING,TYPE 25	1
L1	MEC145365	INTERFACE PLATE,TRU-BALANCE 3 LIFT	1
M1	MEC1805078	ADAPTER PLATE-TB4 BACK TO TB3 TILT	2
N1	HDW144513	SCREW, FLAT HEAD, M8X1.25 X 22, ISO 10642, CL 10.9, BZ, PVTP	4
O1	HDW123425	SCREW, SOCKET HEAD, M8X1.25 X 30, ISO 4762, CL 12.9, BZ, PVTP	4
P1	HDW1908031	WASHER, SHIM, 8.2 ID X 12.7 OD X 1.0 THK, SST (DWG 1908031)	8

4.1. Static Backs

\*\*\*Only components with callouts are available for replacement. The complete assembly must be selected for all other components.\*\*\*



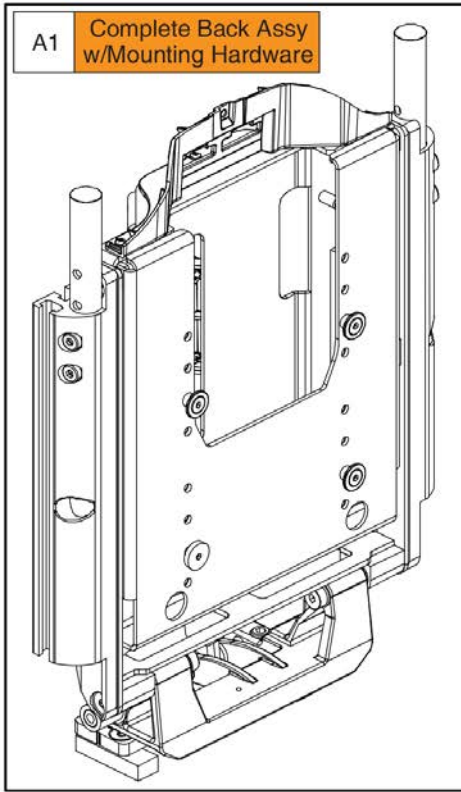
Push the release lever down to adjust the back angle.



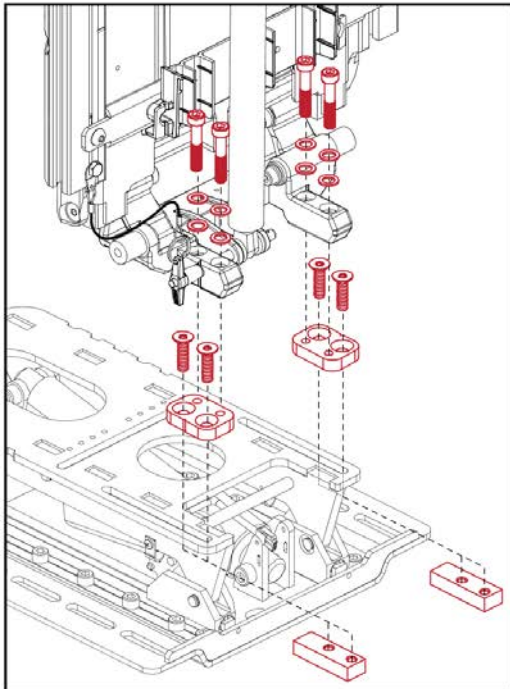
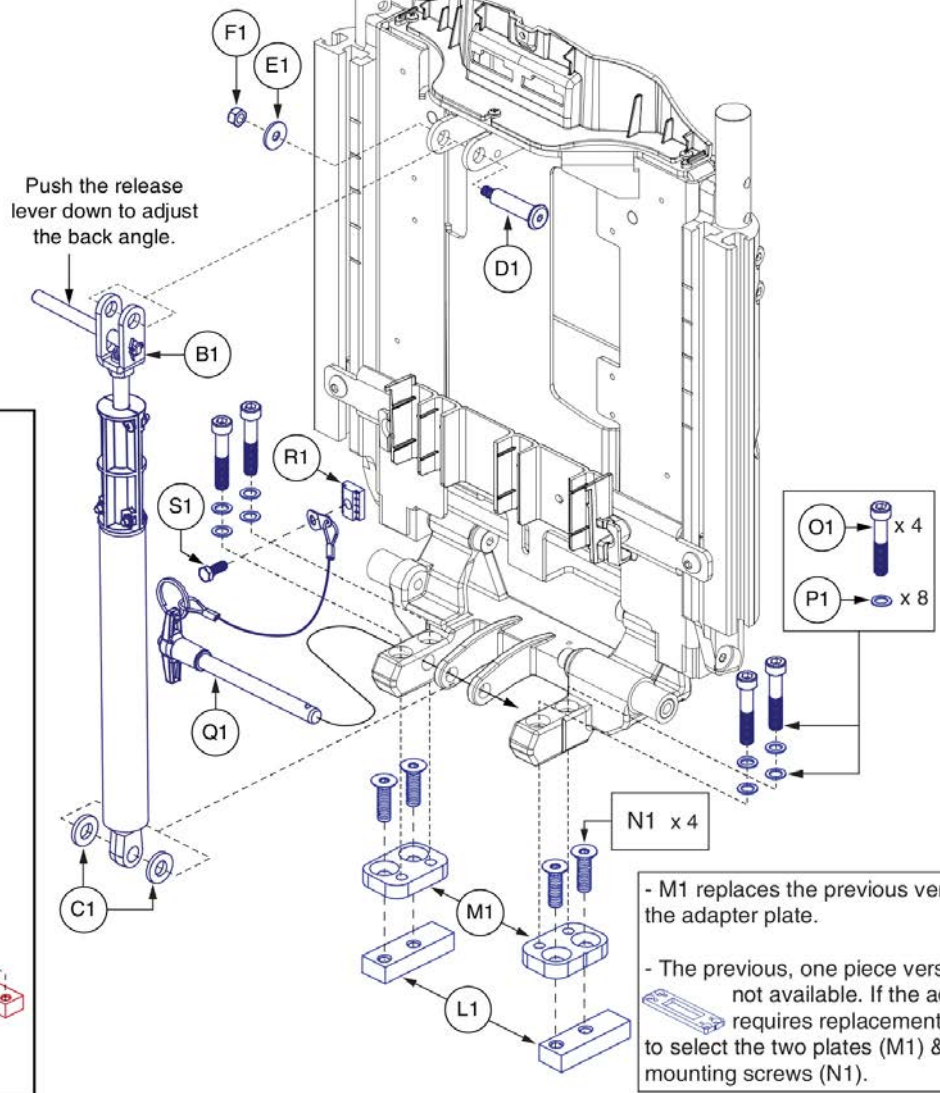
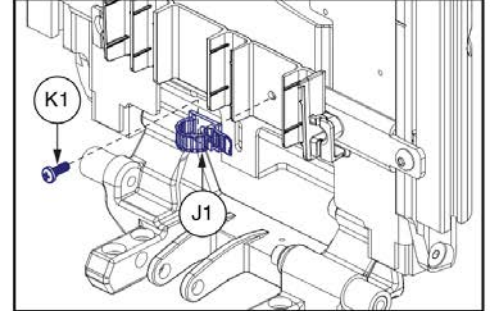
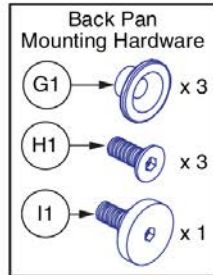
- M1 replaces the previous version of the adapter plate.  
 - The previous, one piece version is not available. If the adapter requires replacement, be sure to select the two plates (M1) & the four mounting screws (N1).

Item	Part No.	Name	Qty
A1	MEC1901102	STATIC BACK,ASSY,MAIN,NON SHEAR REDUCTION,REDESIGNED BACK,W/MOUNTING HARDWARE	1
B1	MEC125176	LOCKABLE GAS SPRING,ASSY,STATIC BACK,TRU-BALANCE 3	1
C1	MEC122963	LIMIT STOP CUSHION,20MM OD X 10MM ID X 3MM THK	2
D1	MEC131121	BOLT,PIVOT ROD,TRU-BALANCE 3 RECLINE	2
E1	WASMETR1083	WASHER,FLAT,BLACK ZINC,STEEL,6.4MM ID X 18MM OD X 1.6MM TH	2
F1	NUTNYLK1019	NUT,NYLOCK,BLACK ZINC,M6-1.0	2
G1	FRM8120061	BUTTON,SEAT BACK PAN,TRU-BALANCE 3 RECLINE	3
H1	HDW131509	SCREW, FLAT HEAD, M6X1.0 X 18, ISO 10624, CL 10.9, BZ, PVTP	3
I1	HDW1804080	THUMB SCREW, CUSTOM, M6X1.0, TB4	1
J1	HDW135288	WIRE CLIP,REUSABLE,BLACK,PLASTIC,(MICRO PLASTICS:NM22LCC1000B)	1
K1	SCRPPTC1021	SCREW, PPH,BZ,#8 X 1/2",THREAD CUTTING,TYPE 25	1
L1	MEC121721	BACK TO BASE SLOT BLOCK,TRU BALANCE 3	2
M1	MEC1805078	ADAPTER PLATE-TB4 BACK TO TB3 TILT	2
N1	HDW1905071	SCREW, FLAT HEAD, M8X1.25 X 30, ISO 10642, CL 10.9, BZ, PVTP	4
O1	HDW123425	SCREW, SOCKET HEAD, M8X1.25 X 30, ISO 4762, CL 12.9, BZ, PVTP	4
P1	HDW1908031	WASHER, SHIM, 8.2 ID X 12.7 OD X 1.0 THK, SST (DWG 1908031)	8

4.2. Flip Forward Backs



\*\*\*Only components with callouts are available for replacement. The complete assembly must be selected for all other components.\*\*\*



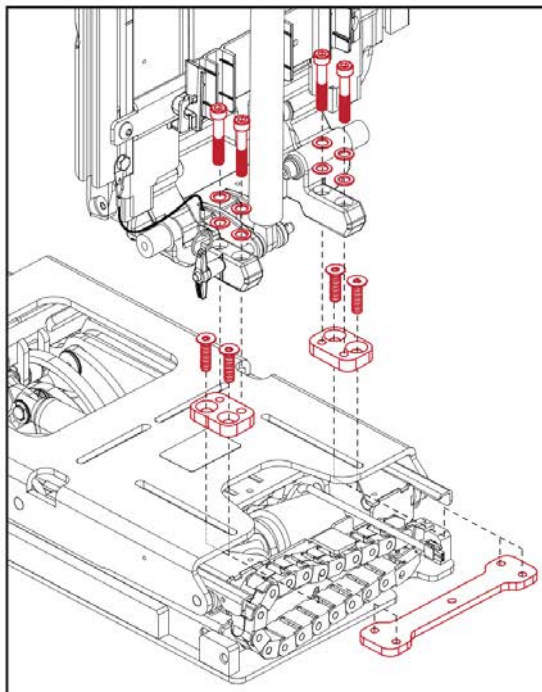
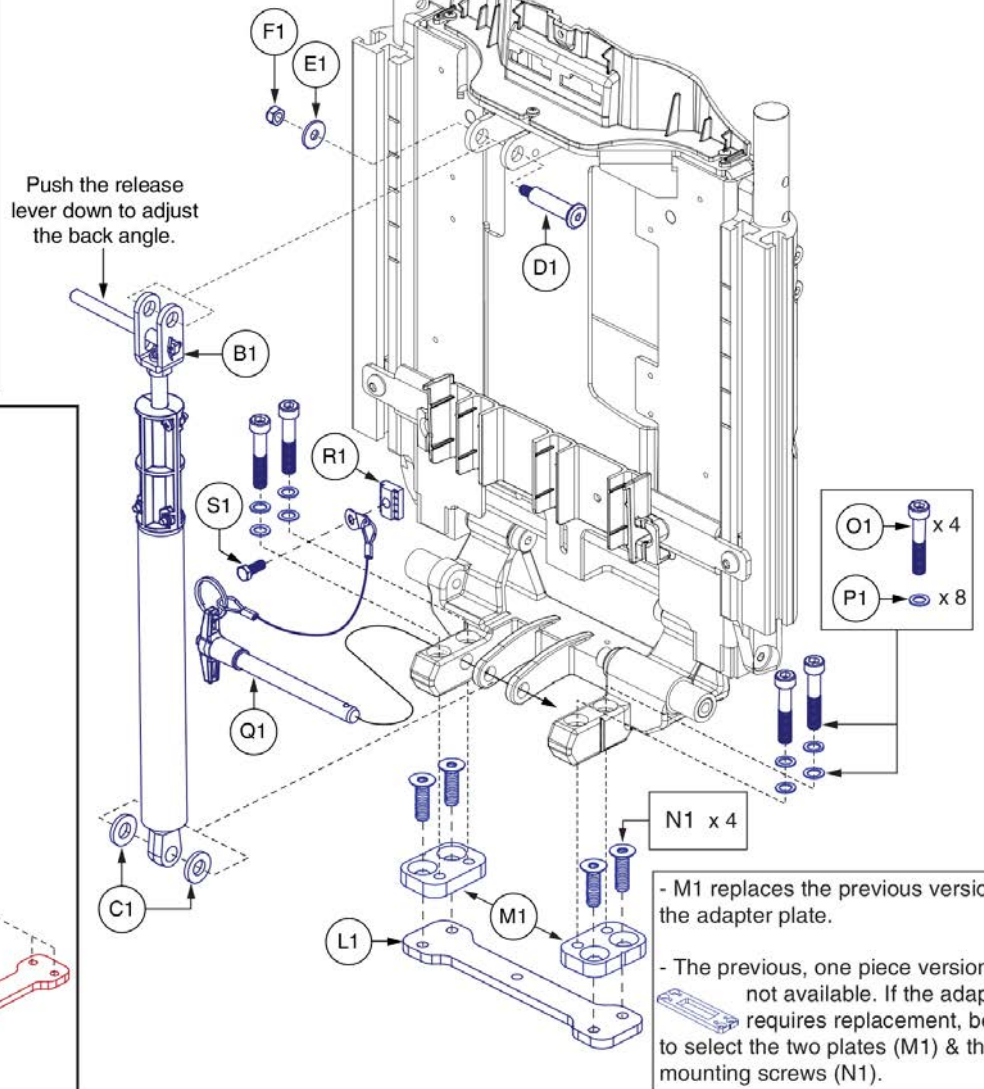
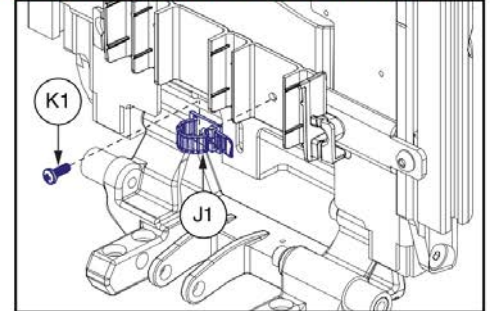
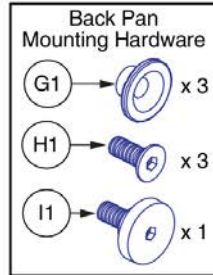
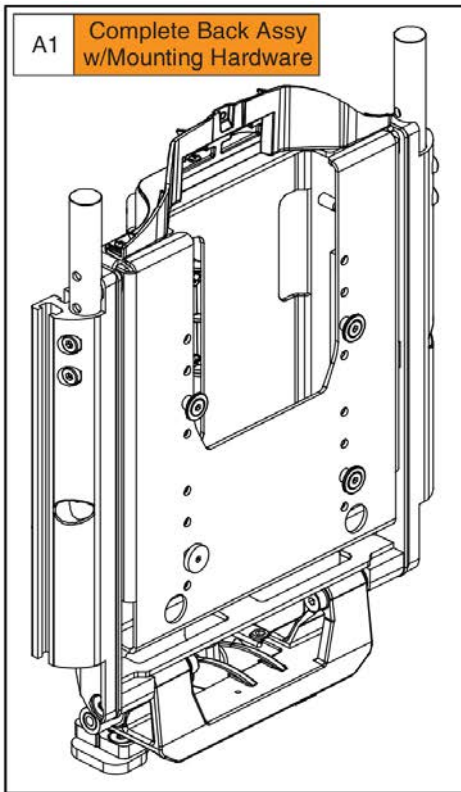
- M1 replaces the previous version of the adapter plate.  
- The previous, one piece version is not available. If the adapter requires replacement, be sure to select the two plates (M1) & the four mounting screws (N1).



Item	Part No.	Name	Qty
A1	MEC1904492	STATIC BACK,ASSY,FLIP FORWARD,REDESIGNED BACK,W/MOUNTING HARDWARE,TB3.5 TILT	1
B1	MEC125176	LOCKABLE GAS SPRING,ASSY,STATIC BACK,TRU-BALANCE 3	1
C1	MEC122963	LIMIT STOP CUSHION,20MM OD X 10MM ID X 3MM THK	2
D1	MEC131121	BOLT,PIVOT ROD,TRU-BALANCE 3 RECLINE	1
E1	WASMETR1083	WASHER,FLAT,BLACK ZINC,STEEL,6.4MM ID X 18MM OD X 1.6MM TH	1
F1	NUTNYLK1019	NUT,NYLOCK,BLACK ZINC,M6-1.0	1
G1	FRM8120061	BUTTON,SEAT BACK PAN,TRU-BALANCE 3 RECLINE	3
H1	HDW131509	SCREW, FLAT HEAD, M6X1.0 X 18, ISO 10624, CL 10.9, BZ, PVTP	3
I1	HDW1804080	THUMB SCREW, CUSTOM, M6X1.0, TB4	1
J1	HDW135288	WIRE CLIP,REUSABLE,BLACK,PLASTIC,(MICRO PLASTICS:NM22LCC1000B)	1
K1	SCRPPTC1021	SCREW, PPH,BZ,#8 X 1/2",THREAD CUTTING,TYPE 25	1
L1	MEC1806703	SLOT BLOCK, LONG	2
M1	MEC1805078	ADAPTER PLATE-TB4 BACK TO TB3 TILT	2
N1	HDW1905071	SCREW, FLAT HEAD, M8X1.25 X 30, ISO 10642, CL 10.9, BZ, PVTP	4
O1	HDW123425	SCREW, SOCKET HEAD, M8X1.25 X 30, ISO 4762, CL 12.9, BZ, PVTP	4
P1	HDW1908031	WASHER, SHIM, 8.2 ID X 12.7 OD X 1.0 THK, SST (DWG 1908031)	8
Q1	HDW131958	PIN,KWIK-LOK,T-HANDLE,M10 X 90,W/152MM BLACK LANYARD	1
R1	NUT8120005	NUT,T-SLOT,BLACK,M8-1.25	1
S1	SCRHHCS1412	SCREW, HEX HEAD, M8X1.25 X 16, ISO 4014, CL 10.9, BZ, PVTP	1

4.2. Flip Forward Backs

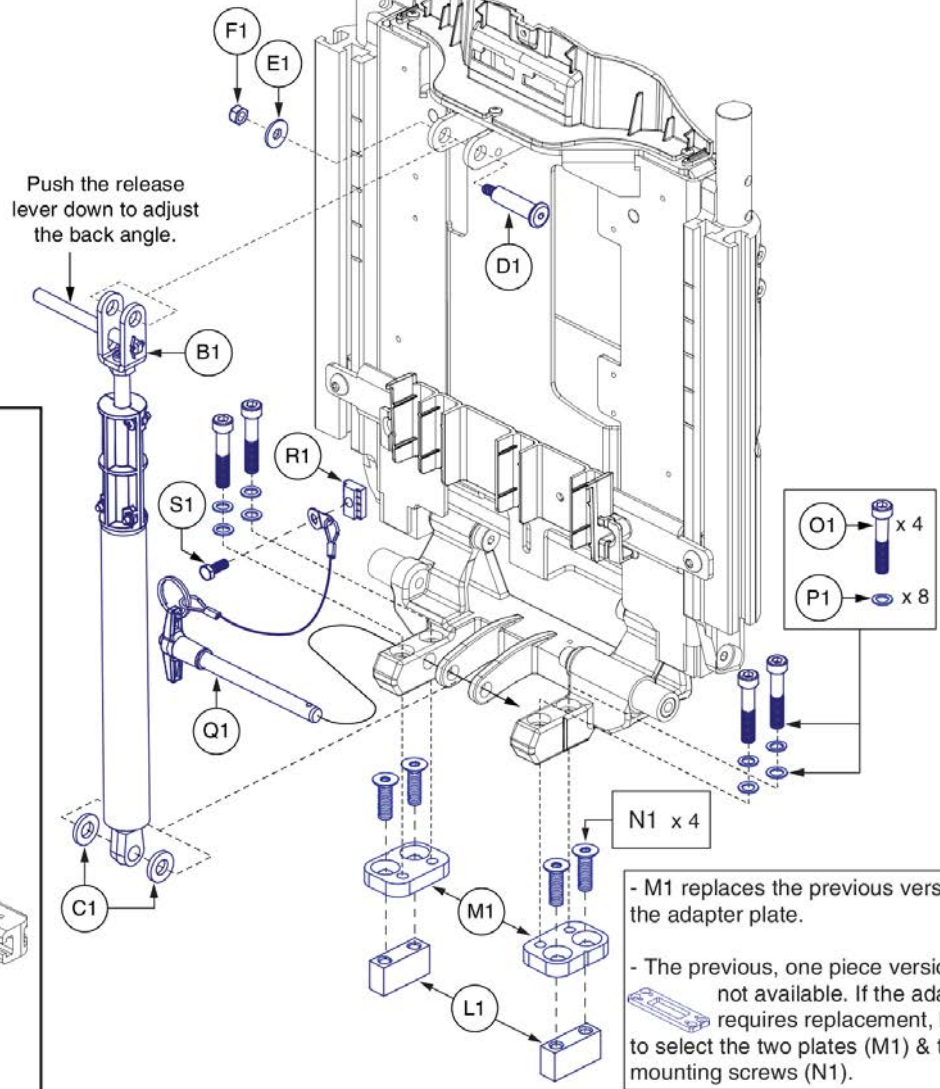
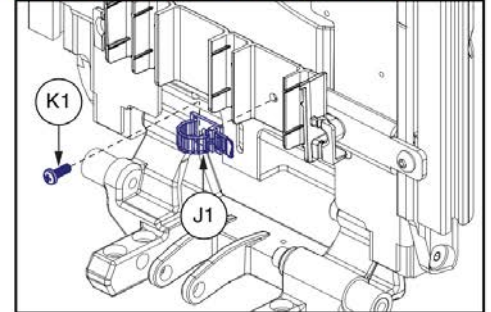
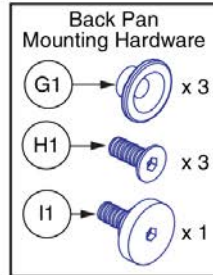
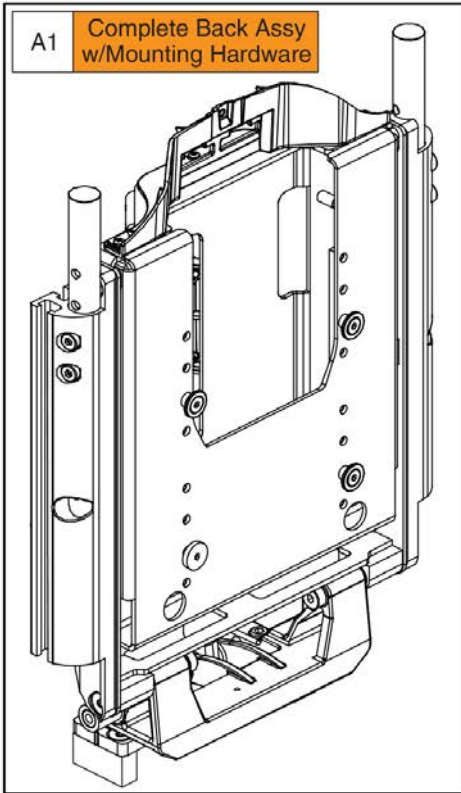
\*\*\*Only components with callouts are available for replacement. The complete assembly must be selected for all other components.\*\*\*



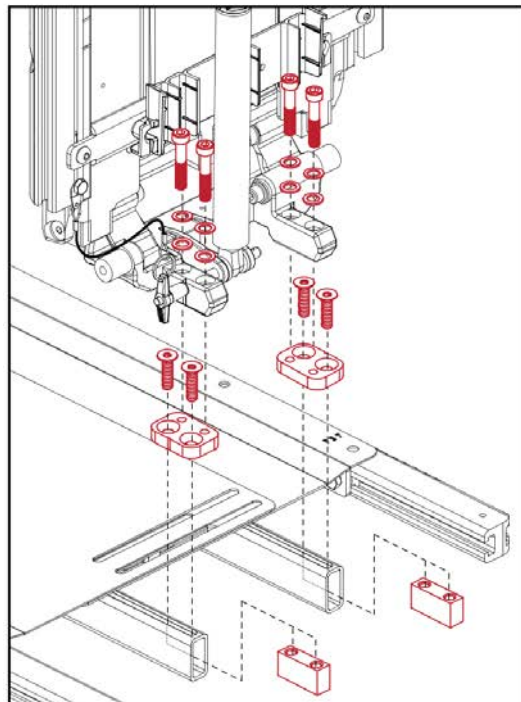
Item	Part No.	Name	Qty
A1	MEC1904493	STATIC BACK,ASSY,FLIP FORWARD,REDESIGNED BACK,W/MOUNTING HARDWARE,REAC LIFT	1
B1	MEC125176	LOCKABLE GAS SPRING,ASSY,STATIC BACK,TRU-BALANCE 3	1
C1	MEC122963	LIMIT STOP CUSHION,20MM OD X 10MM ID X 3MM THK	2
D1	MEC131121	BOLT,PIVOT ROD,TRU-BALANCE 3 RECLINE	1
E1	WASMETR1083	WASHER,FLAT,BLACK ZINC,STEEL,6.4MM ID X 18MM OD X 1.6MM TH	1
F1	NUTNYLK1019	NUT,NYLOCK,BLACK ZINC,M6-1.0	1
G1	FRM8120061	BUTTON,SEAT BACK PAN,TRU-BALANCE 3 RECLINE	3
H1	HDW131509	SCREW, FLAT HEAD, M6X1.0 X 18, ISO 10624, CL 10.9, BZ, PVTP	3
I1	HDW1804080	THUMB SCREW, CUSTOM, M6X1.0, TB4	1
J1	HDW135288	WIRE CLIP,REUSABLE,BLACK,PLASTIC,(MICRO PLASTICS:NM22LCC1000B)	1
K1	SCRPPTC1021	SCREW, PPH,BZ,#8 X 1/2",THREAD CUTTING,TYPE 25	1
L1	MEC145365	INTERFACE PLATE,TRU-BALANCE 3 LIFT	1
M1	MEC1805078	ADAPTER PLATE-TB4 BACK TO TB3 TILT	2
N1	HDW144513	SCREW, FLAT HEAD, M8X1.25 X 22, ISO 10642, CL 10.9, BZ, PVTP	4
O1	HDW123425	SCREW, SOCKET HEAD, M8X1.25 X 30, ISO 4762, CL 12.9, BZ, PVTP	4
P1	HDW1908031	WASHER, SHIM, 8.2 ID X 12.7 OD X 1.0 THK, SST (DWG 1908031)	8
Q1	HDW131958	PIN,KWIK-LOK,T-HANDLE,M10 X 90,W/152MM BLACK LANYARD	1
R1	NUT8120005	NUT,T-SLOT,BLACK,M8-1.25	1
S1	SCRHHCS1412	SCREW, HEX HEAD, M8X1.25 X 16, ISO 4014, CL 10.9, BZ, PVTP	1

4.2. Flip Forward Backs

\*\*\*Only components with callouts are available for replacement. The complete assembly must be selected for all other components.\*\*\*

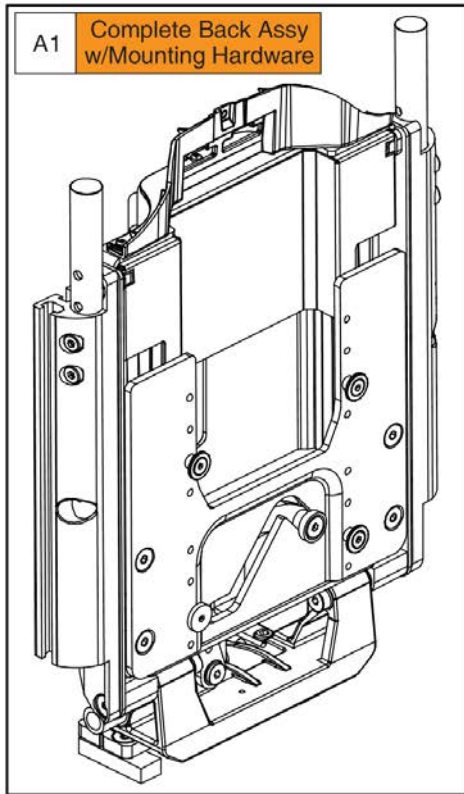


- M1 replaces the previous version of the adapter plate.  
- The previous, one piece version is not available. If the adapter requires replacement, be sure to select the two plates (M1) & the four mounting screws (N1).

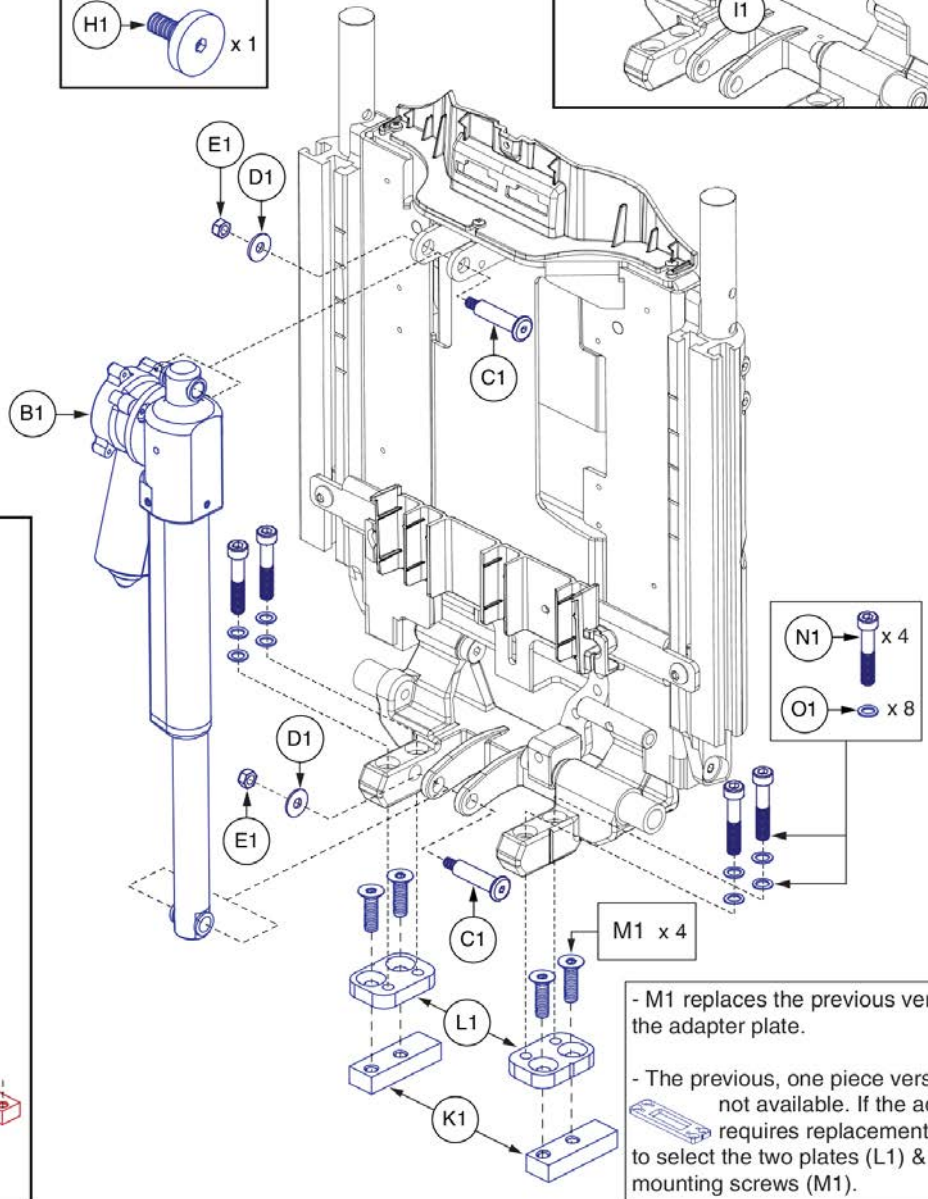
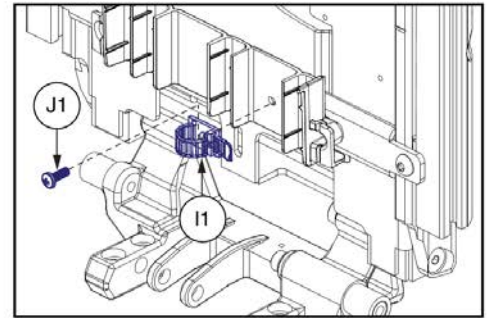
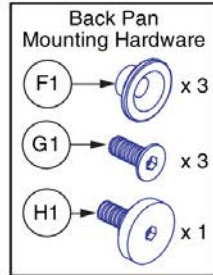


Item	Part No.	Name	Qty
A1	MEC1901104	STATIC BACK,ASSY,FLIP FORWARD,REDESIGNED BACK,W/MOUNTING HARDWARE	1
B1	MEC125176	LOCKABLE GAS SPRING,ASSY,STATIC BACK,TRU-BALANCE 3	1
C1	MEC122963	LIMIT STOP CUSHION,20MM OD X 10MM ID X 3MM THK	2
D1	MEC131121	BOLT,PIVOT ROD,TRU-BALANCE 3 RECLINE	1
E1	WASMETR1083	WASHER,FLAT,BLACK ZINC,STEEL,6.4MM ID X 18MM OD X 1.6MM TH	1
F1	NUTNYLK1019	NUT,NYLOCK,BLACK ZINC,M6-1.0	1
G1	FRM8120061	BUTTON,SEAT BACK PAN,TRU-BALANCE 3 RECLINE	3
H1	HDW131509	SCREW, FLAT HEAD, M6X1.0 X 18, ISO 10624, CL 10.9, BZ, PVTP	3
I1	HDW1804080	THUMB SCREW, CUSTOM, M6X1.0, TB4	1
J1	HDW135288	WIRE CLIP,REUSABLE,BLACK,PLASTIC,(MICRO PLASTICS:NM22LCC1000B)	1
K1	SCRPPTC1021	SCREW, PPH,BZ,#8 X 1/2",THREAD CUTTING,TYPE 25	1
L1	MEC121721	BACK TO BASE SLOT BLOCK,TRU BALANCE 3	2
M1	MEC1805078	ADAPTER PLATE-TB4 BACK TO TB3 TILT	2
N1	HDW1905071	SCREW, FLAT HEAD, M8X1.25 X 30, ISO 10642, CL 10.9, BZ, PVTP	4
O1	HDW123425	SCREW, SOCKET HEAD, M8X1.25 X 30, ISO 4762, CL 12.9, BZ, PVTP	4
P1	HDW1908031	WASHER, SHIM, 8.2 ID X 12.7 OD X 1.0 THK, SST (DWG 1908031)	8
Q1	HDW131958	PIN,KWIK-LOK,T-HANDLE,M10 X 90,W/152MM BLACK LANYARD	1
R1	NUT8120005	NUT,T-SLOT,BLACK,M8-1.25	1
S1	SCRHHCS1412	SCREW, HEX HEAD, M8X1.25 X 16, ISO 4014, CL 10.9, BZ, PVTP	1

4.3. Power Recline Backs



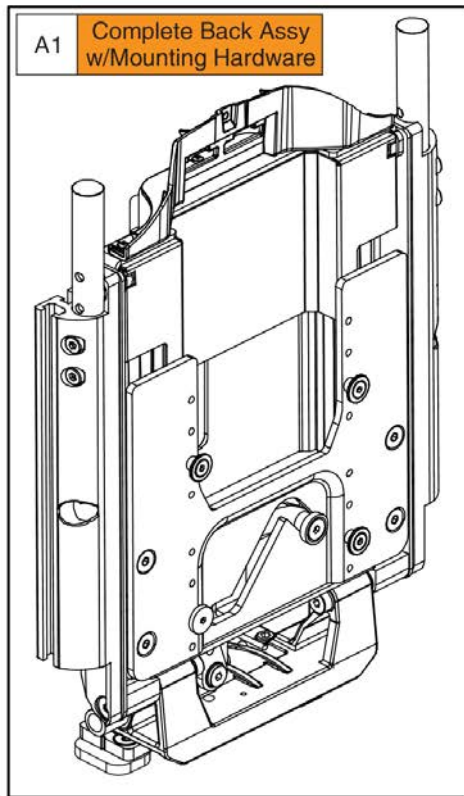
\*\*\*Only components with callouts are available for replacement. The complete assembly must be selected for all other components.\*\*\*



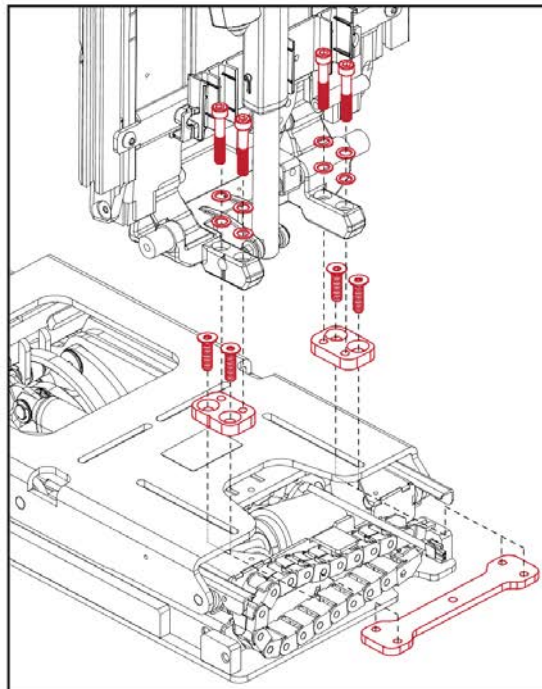
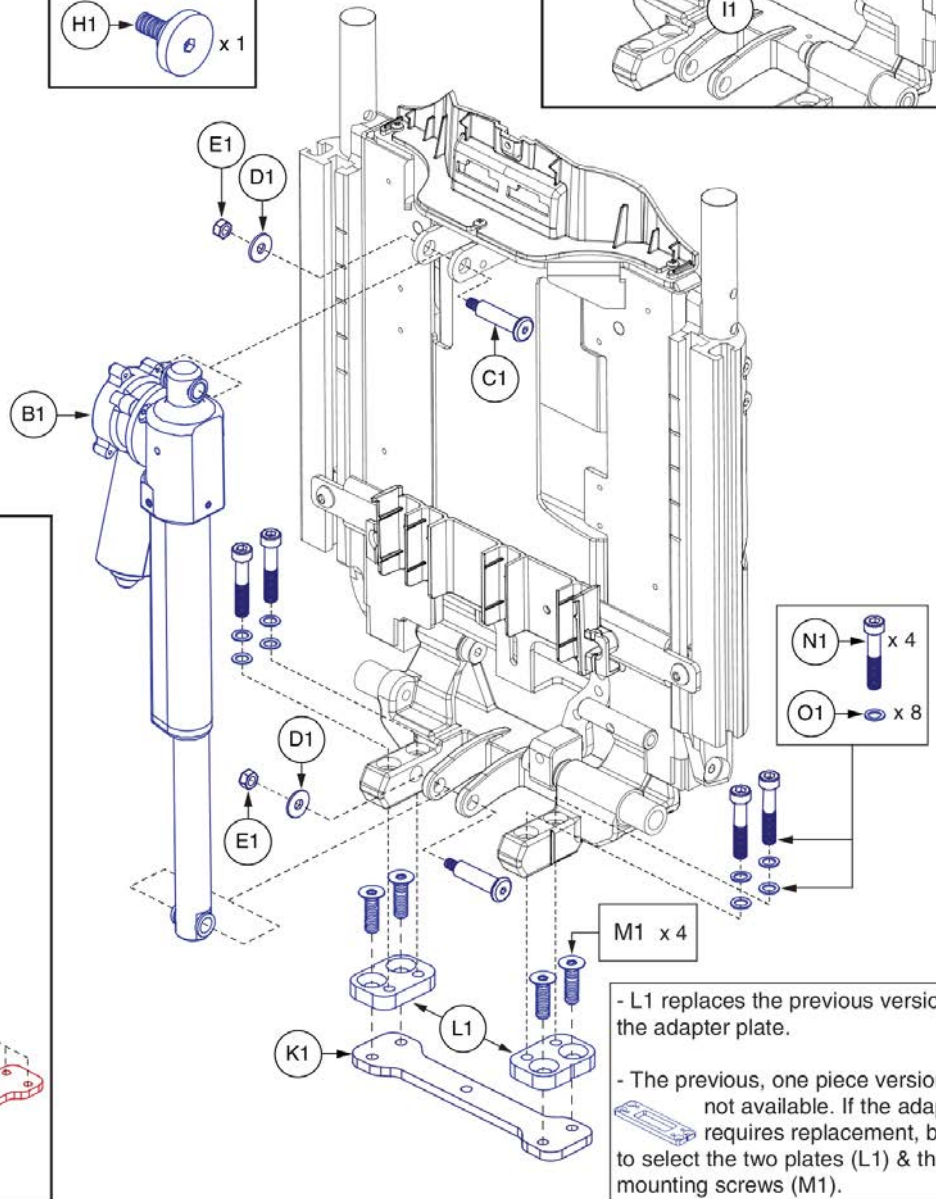
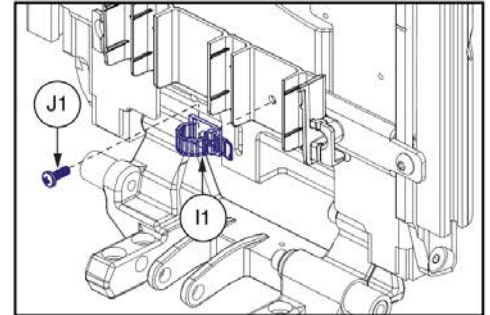
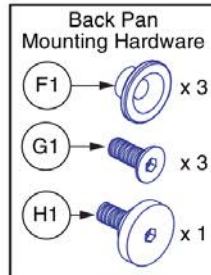
- M1 replaces the previous version of the adapter plate.  
 - The previous, one piece version is not available. If the adapter requires replacement, be sure to select the two plates (L1) & the four mounting screws (M1).

Item	Part No.	Name	Qty
A1	MEC1904478	POWER RECLINE BACK ASSY,SHEAR REDUCTION,REDESIGNED BACK,W/MOUNTING HARDWARE,TB3.5 TILT/RECLINE	1
B1	ACT8120001	ACTUATOR,LINEAR,TRU BALANCE 3 RECLINE	1
C1	MEC131121	BOLT,PIVOT ROD,TRU-BALANCE 3 RECLINE	2
D1	WASMETR1083	WASHER,FLAT,BLACK ZINC,STEEL,6.4MM ID X 18MM OD X 1.6MM TH	2
E1	NUTNYLK1019	NUT,NYLOCK,BLACK ZINC,M6-1.0	2
F1	FRM8120061	BUTTON,SEAT BACK PAN,TRU-BALANCE 3 RECLINE	3
G1	SCR8120019	SCREW,SHFH,BLACK ZINC,M6-1.0 X 16MM,CLASS 10.9	3
H1	HDW1804080	THUMB SCREW, CUSTOM, M6X1.0, TB4	1
I1	HDW135288	WIRE CLIP,REUSABLE,BLACK,PLASTIC,(MICRO PLASTICS:NM22LCC1000B)	1
J1	SCRPPTC1021	SCREW, PPH,BZ,#8 X 1/2",THREAD CUTTING,TYPE 25	1
K1	MEC1806703	SLOT BLOCK, LONG	2
L1	MEC1805078	ADAPTER PLATE-TB4 BACK TO TB3 TILT	2
M1	HDW1905071	SCREW, FLAT HEAD, M8X1.25 X 30, ISO 10642, CL 10.9, BZ, PVTP	4
N1	HDW123425	SCREW, SOCKET HEAD, M8X1.25 X 30, ISO 4762, CL 12.9, BZ, PVTP	4
O1	HDW1908031	WASHER, SHIM, 8.2 ID X 12.7 OD X 1.0 THK, SST (DWG 1908031)	8

4.3. Power Recline Backs



\*\*\*Only components with callouts are available for replacement. The complete assembly must be selected for all other components.\*\*\*



- L1 replaces the previous version of the adapter plate.

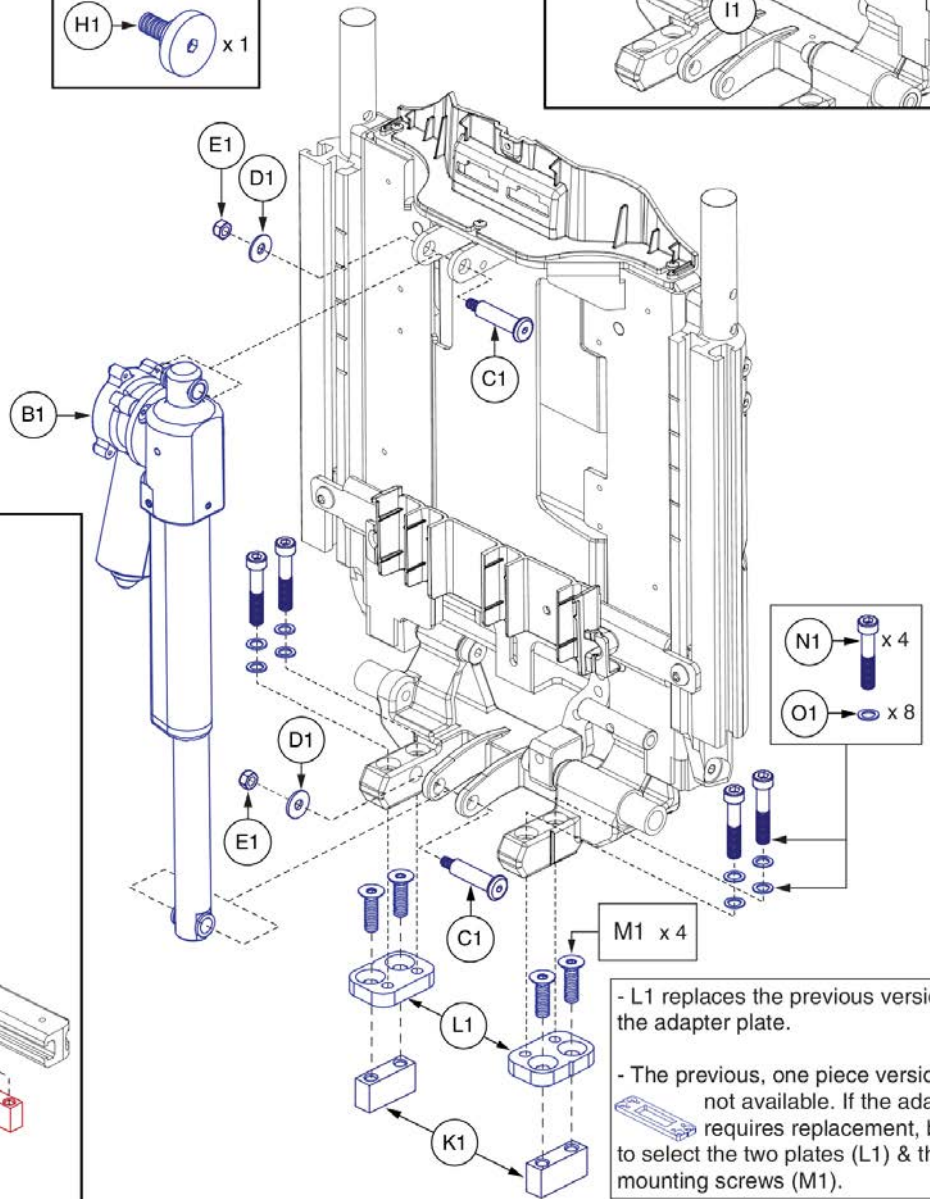
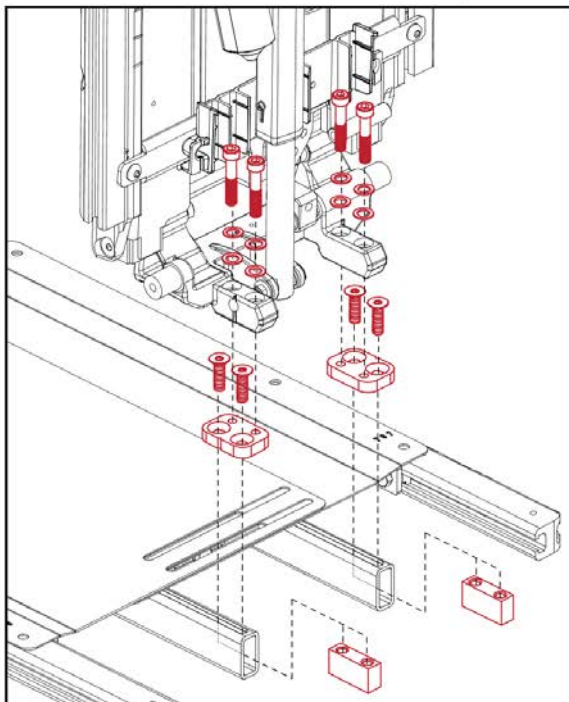
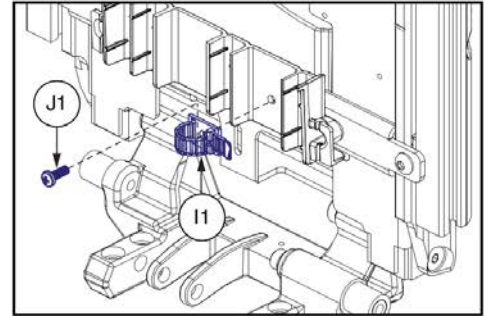
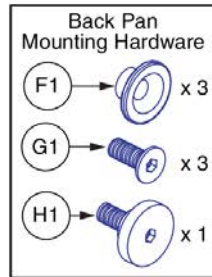
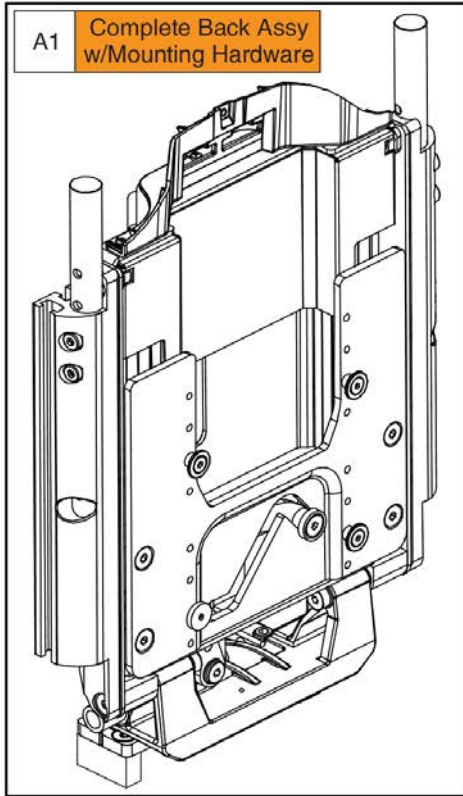
- The previous, one piece version is not available. If the adapter requires replacement, be sure to select the two plates (L1) & the four mounting screws (M1).



Item	Part No.	Name	Qty
A1	MEC1904489	POWER RECLINE BACK,ASSY,SHEAR REDUCTION,REDESIGNED BACK,W/MOUNTING HARDWARE,RECLINE W/REAC LIFT	1
B1	ACT8120001	ACTUATOR,LINEAR,TRU BALANCE 3 RECLINE	1
C1	MEC131121	BOLT,PIVOT ROD,TRU-BALANCE 3 RECLINE	2
D1	WASMETR1083	WASHER,FLAT,BLACK ZINC,STEEL,6.4MM ID X 18MM OD X 1.6MM TH	2
E1	NUTNYLK1019	NUT,NYLOCK,BLACK ZINC,M6-1.0	2
F1	FRM8120061	BUTTON,SEAT BACK PAN,TRU-BALANCE 3 RECLINE	3
G1	SCR8120019	SCREW,SHFH,BLACK ZINC,M6-1.0 X 16MM,CLASS 10.9	3
H1	HDW1804080	THUMB SCREW, CUSTOM, M6X1.0, TB4	1
I1	HDW135288	WIRE CLIP,REUSABLE,BLACK,PLASTIC,(MICRO PLASTICS:NM22LCC1000B)	1
J1	SCRPPTC1021	SCREW, PPH,BZ,#8 X 1/2",THREAD CUTTING,TYPE 25	1
K1	MEC145365	INTERFACE PLATE,TRU-BALANCE 3 LIFT	1
L1	MEC1805078	ADAPTER PLATE-TB4 BACK TO TB3 TILT	2
M1	HDW144513	SCREW, FLAT HEAD, M8X1.25 X 22, ISO 10642, CL 10.9, BZ, PVTP	4
N1	HDW123425	SCREW, SOCKET HEAD, M8X1.25 X 30, ISO 4762, CL 12.9, BZ, PVTP	4
O1	HDW1908031	WASHER, SHIM, 8.2 ID X 12.7 OD X 1.0 THK, SST (DWG 1908031)	8

4.3. Power Recline Backs

\*\*\*Only components with callouts are available for replacement. The complete assembly must be selected for all other components.\*\*\*



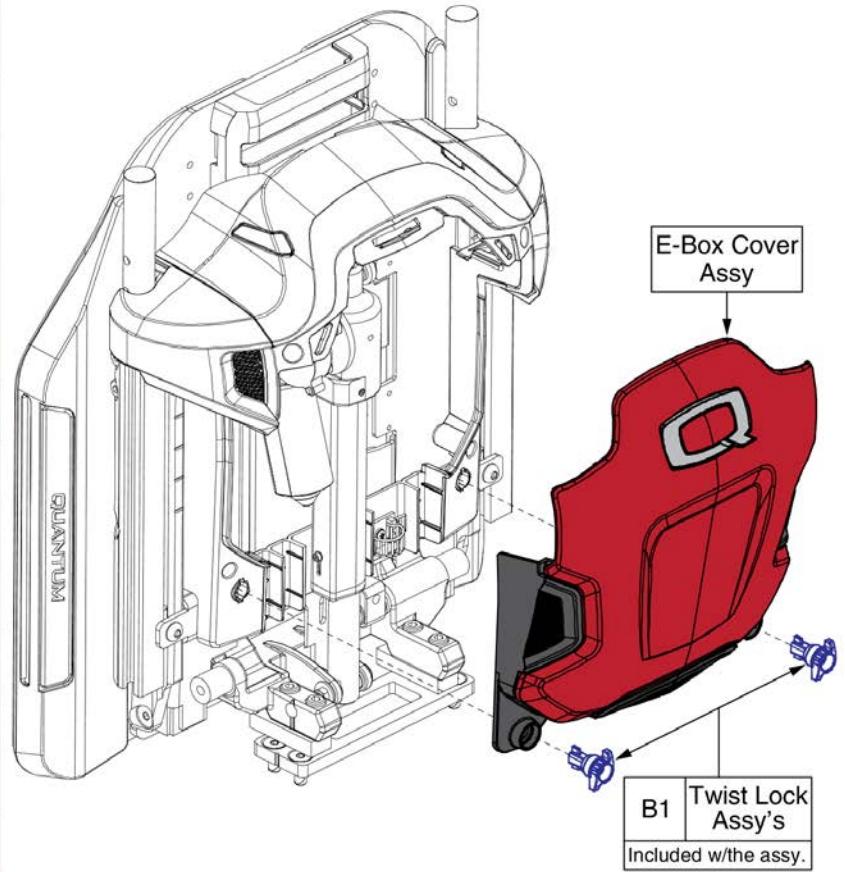
- L1 replaces the previous version of the adapter plate.  
 - The previous, one piece version is not available. If the adapter requires replacement, be sure to select the two plates (L1) & the four mounting screws (M1).

Item	Part No.	Name	Qty
A1	MEC1904477	POWER RECLINE BACK,ASSY,SHEAR REDUCTION,REDESIGNED BACK,W/MOUNTING HARDWARE,RECLINE	1
B1	ACT8120001	ACTUATOR,LINEAR,TRU BALANCE 3 RECLINE	1
C1	MEC131121	BOLT,PIVOT ROD,TRU-BALANCE 3 RECLINE	2
D1	WASMETR1083	WASHER,FLAT,BLACK ZINC,STEEL,6.4MM ID X 18MM OD X 1.6MM TH	2
E1	NUTNYLK1019	NUT,NYLOCK,BLACK ZINC,M6-1.0	2
F1	FRM8120061	BUTTON,SEAT BACK PAN,TRU-BALANCE 3 RECLINE	3
G1	SCR8120019	SCREW,SHFH,BLACK ZINC,M6-1.0 X 16MM,CLASS 10.9	3
H1	HDW1804080	THUMB SCREW, CUSTOM, M6X1.0, TB4	1
I1	HDW135288	WIRE CLIP,REUSABLE,BLACK,PLASTIC,(MICRO PLASTICS:NM22LCC1000B)	1
J1	SCRPPTC1021	SCREW, PPH,BZ,#8 X 1/2",THREAD CUTTING,TYPE 25	1
K1	MEC121721	BACK TO BASE SLOT BLOCK,TRU BALANCE 3	2
L1	MEC1805078	ADAPTER PLATE-TB4 BACK TO TB3 TILT	2
M1	HDW1905071	SCREW, FLAT HEAD, M8X1.25 X 30, ISO 10642, CL 10.9, BZ, PVTP	4
N1	HDW123425	SCREW, SOCKET HEAD, M8X1.25 X 30, ISO 4762, CL 12.9, BZ, PVTP	4
O1	HDW1908031	WASHER, SHIM, 8.2 ID X 12.7 OD X 1.0 THK, SST (DWG 1908031)	8

4.4. Electronics Cover Shrouds

Painted E-Box Assy			
Ref#	Color Name	Part Suffix	Color Code
A1a	Back in Black	PBK1	PPW-BLK-01
A1b	Night Train	PBK3	PPW-BLK-03
A1c	Grey Street	PSL3	PPW-SIL-03
A1d	White Satin	PWT2	PPW-WHT-02
A1e	Red Corvette	PRD1	PPW-RED-01
A1f	Cherry Bomb	PRD4	PPW-RED-04
A1g	Pretty in Pink	PPK3	PPW-PNK-03
A1h	Raspberry Beret	PPK4	PPW-PNK-04
A1i	Sugar Plum	PPR7	PPW-PRP-07
A1j	Deep Purple	PPR5	PPW-PRP-05
A1k	Midnight Blue	PBU10	PPW-BLU-10
A1l	Electric Blue	PBU9	PPW-BLU-09
A1m	Blue Jean	PBU11	PPW-BLU-11
A1n	Green Machine	PGN11	PPW-GRN-11
A1o	Military Green	PGN8	PPW-GRN-08
A1p	Lemon Crush	PYL4	PPW-YEL-04
A1q	Evolution Orange	POR7	PPW-ORN-07
A1r	Carbon Fiber	WCB1	PWT-CBN-01
A1s	Digital Camo	WCM7	PWT-CMO-07
A1t	Faded Glory	WFL2	PWT-FLG-02

Please note: The Painted E-Box Cover is only available as an assembly. The components are not available individually.  
All mounting hardware is included with the assembly.

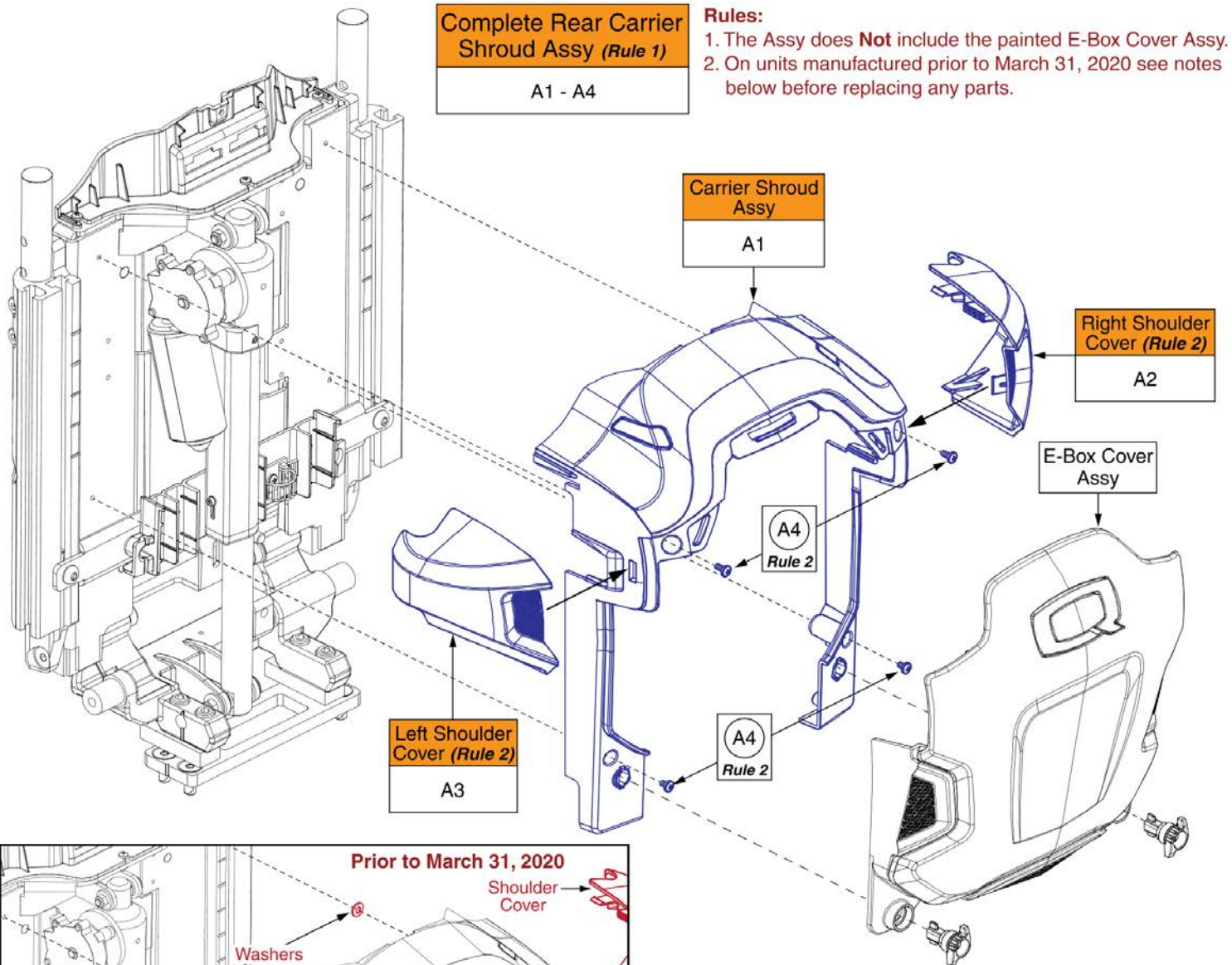


**Painted E-Box Shrouds, TB3 Redesigned Back**



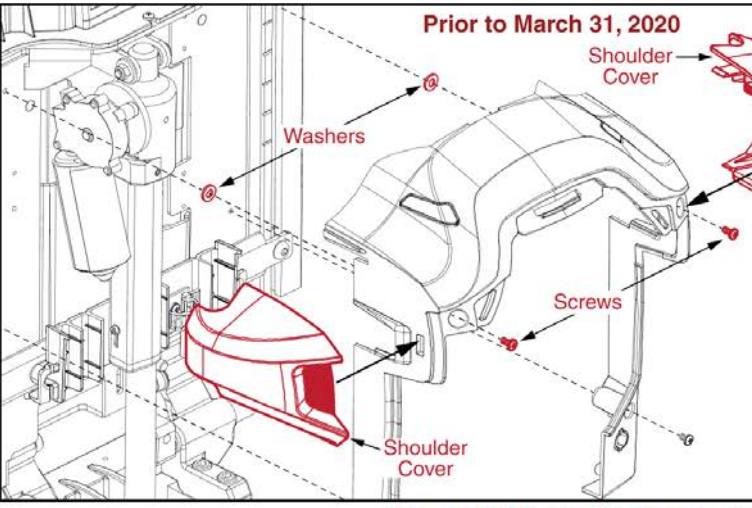
Item	Part No.	Name	Qty
A1a	DGN1714085-PBK1	ELECTRONICS BOX,ASSY,BACK IN BLACK/BLACK,W/MOUNTING HARDWARE	1
A1b	DGN1714085-PBK3	ELECTRONICS BOX,ASSY,NIGHT TRAIN,W/MOUNTING HARDWARE	1
A1c	DGN1714085-PSL3	ELECTRONICS BOX,ASSY,GREY STREET,W/MOUNTING HARDWARE	1
A1d	DGN1714085-PWT2	ELECTRONICS BOX,ASSY,WHITE SATIN,W/MOUNTING HARDWARE	1
A1e	DGN1714085-PRD1	ELECTRONICS BOX,ASSY,RED CORVETTE/CANDY APPLE RED,W/MOUNTING HARDWARE	1
A1f	DGN1714085-PRD4	ELECTRONICS BOX,ASSY,CHERRY BOMB,W/MOUNTING HARDWARE	1
A1g	DGN1714085-PPK3	ELECTRONICS BOX,ASSY,PRETTY IN PINK,W/MOUNTING HARDWARE	1
A1h	DGN1714085-PPK4	ELECTRONICS BOX,ASSY,RASPBERRY BERET,W/MOUNTING HARDWARE	1
A1i	DGN1714085-PPR7	ELECTRONICS BOX,ASSY,SUGAR PLUM,W/MOUNTING HARDWARE	1
A1j	DGN1714085-PPR5	ELECTRONICS BOX,ASSY,DEEP PURPLE,W/MOUNTING HARDWARE	1
A1k	DGN1714085-PBU10	ELECTRONICS BOX,ASSY,MIDNIGHT BLUE,W/MOUNTING HARDWARE	1
A1l	DGN1714085-PBU9	ELECTRONICS BOX,ASSY,ELECTRIC BLUE/TRUE BLUE,W/MOUNTING HARDWARE	1
A1m	DGN1714085-PBU11	ELECTRONICS BOX,ASSY,BLUE JEAN,W/MOUNTING HARDWARE	1
A1n	DGN1714085-PGN11	ELECTRONICS BOX,ASSY,GREEN MACHINE,W/MOUNTING HARDWARE	1
A1o	DGN1714085-PGN8	ELECTRONICS BOX,ASSY,MILITARY GREEN,W/MOUNTING HARDWARE	1
A1p	DGN1714085-PYL4	ELECTRONICS BOX,ASSY,LEMON CRUSH,W/MOUNTING HARDWARE	1
A1q	DGN1714085-POR7	ELECTRONICS BOX,ASSY,EVOLUTION ORANGE,W/MOUNTING HARDWARE	1
A1r	DGN1714085-WCB1	ELECTRONICS BOX,ASSY,CARBON FIBER,W/MOUNTING HARDWARE	1
A1s	DGN1714085-WCM7	ELECTRONICS BOX,ASSY,DIGITAL CAMO,W/MOUNTING HARDWARE	1
A1t	DGN1714085-WFL2	ELECTRONICS BOX,ASSY,FADED GLORY,W/MOUNTING HARDWARE	1
B1	MEC1902176	QUARTER TURN, ASSEMBLY	2

4.4. Electronics Cover Shrouds



**Complete Rear Carrier Shroud Assy (Rule 1)**  
A1 - A4

- Rules:**
1. The Assy does **Not** include the painted E-Box Cover Assy.
  2. On units manufactured prior to March 31, 2020 see notes below before replacing any parts.



- Notes for units manufactured prior to March 31, 2020**
- Prior to March 31, 2020 two washers and longer screws were utilized to mount the carrier shroud to the back of the unit. This was to prevent the shoulder covers from contacting the back assembly.
  - A product enhancement occurred to the shoulder covers and the washers are no longer needed.
  - Replace A2 & A3 in pairs on units manufactured prior to this date.
  - If replacing hardware A4, A2 & A3 must be selected as well.
  - The Carrier Shroud and E-Box cover are not affected.

**Contact Technical Service for more Information.**

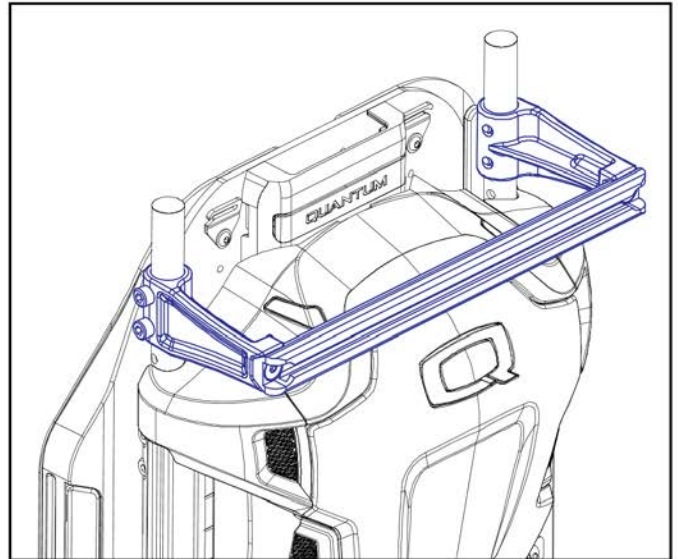
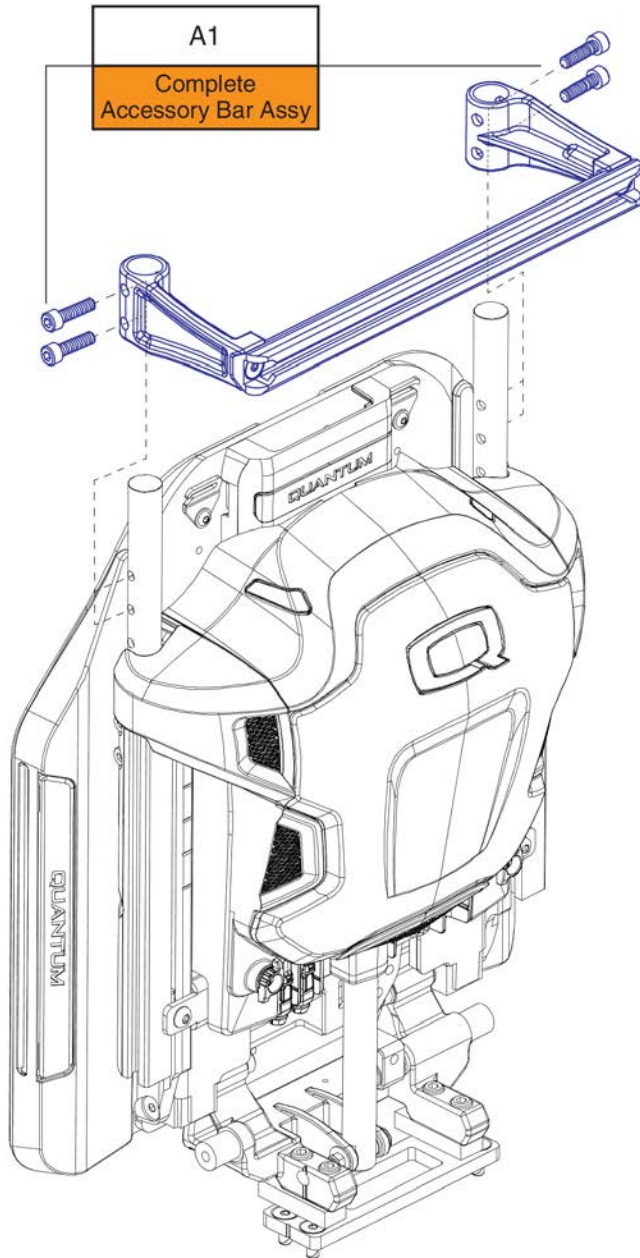
# Carrier Shroud Assy, TB3 Redesigned Back



Item	Part No.	Name	Qty
A1 - A4	DGN1904463	REAR SHROUD ASSEMBLY,BACK REFLECTORS,REDESIGNED BACK	1
A1	DGN1900261	UPPER CARRIER WITH REFLECTOR PLUGS, ASSEMBLY, TB4 BACK	1
A2	DGN1714081	ARM COVER, RIGHT, TB4 BACK	1
A3	DGN1714080	ARM COVER, LEFT, TB4 BACK	1
A4	SCRPPH1304	SCREW,PPH,BLACK ZINC,M4-.7 X 6MM	4

## 4. Seat Back Assy's - TB3 Redesigned Back

\*\*\*The Accessory Bar is only available as a complete assembly.\*\*\*



### Notes:

- This Accessory Bar Assy can mount to the original style TB3 back and to the redesigned style TB3 back.
- The redesigned back is shown in the assembly illustration.



Accessory Bar, TB3 Redesigned Back



Item	Part No.	Name	Qty
A1	ACC1909634	ACCESSORY BAR,ASSY,REAR,TRU-BALANCE 3	1

5.1. Back Pans w/ Cushions - Sport & TRU-Comfort 2

**12" - 22" W TB3 Sport Back Assy's**  
(Refer to All of the notes)

- The 12" - 22" W TB3 Back assy's have been updated to include the Sport Back 4 Cushions.
- These particular backs ARE NOT UTILIZED on the Redesigned TB3 Back System. Refer to the TB3 Redesigned Back Sections.
- The assy's include the Back Pan Assy, Sport Back 4 Cushion, and the Bolster Supports.
- Sport Back Cushions have been discontinued. Various sizes of physical Sport Back cushions are available for replacement. Please refer to the Cushion Section or contact Technical Service for availability and more information.

Actual Back/ Cushion Size		For use on units with overall back Heights of:				Actual Back/ Cushion Size		For use on units with overall back Heights of:			
Ref	Width	Height	Back Pan Size	Static/Tilt Backs <sup>1</sup>	Recline Backs <sup>2</sup>	Ref	Width	Height	Back Pan Size	Static/Tilt Backs <sup>1</sup>	Recline Backs <sup>2</sup>
A1	12"	11"	10-14"W x 11"H	14" or 15"	17" or 18"	W1	19"	19"	16-20"W x 19"H	22" or 23"	25" or 26"
B1	12"	13"	10-14"W x 13"H	16" or 17"	19" or 20"	X1	19"	21"	16-20"W x 21"H	24" or 25"	27" or 28"
C1	14"	11"	10-14"W x 11"H	14" or 15"	17" or 18"	Y1	20"	13"	16-20"W x 13"H	16" or 17"	19" or 20"
D1	14"	13"	10-14"W x 13"H	16" or 17"	19" or 20"	Z1	20"	15"	16-20"W x 15"H	18" or 19"	21" or 22"
E1	16"	13"	16-20"W x 13"H	16" or 17"	19" or 20"	AA1	20"	17"	16-20"W x 17"H	20" or 21"	23" or 24"
F1	16"	15"	16-20"W x 15"H	18" or 19"	21" or 22"	BB1	20"	19"	16-20"W x 19"H	22" or 23"	25" or 26"
G1	16"	17"	16-20"W x 17"H	20" or 21"	23" or 24"	CC1	20"	21"	16-20"W x 21"H	24" or 25"	27" or 28"
H1	16"	19"	16-20"W x 19"H	22" or 23"	25" or 26"	DD1	20"	13"	20-24"W x 13"H	16" or 17"	19" or 20"
I1	16"	21"	16-20"W x 21"H	24" or 25"	27" or 28"	EE1	20"	15"	20-24"W x 15"H	18" or 19"	21" or 22"
J1	17"	13"	16-20"W x 13"H	16" or 17"	19" or 20"	FF1	20"	17"	20-24"W x 17"H	20" or 21"	23" or 24"
K1	17"	15"	16-20"W x 15"H	18" or 19"	21" or 22"	GG1	20"	19"	20-24"W x 19"H	22" or 23"	25" or 26"
L1	17"	17"	16-20"W x 17"H	20" or 21"	23" or 24"	HH1	20"	21"	20-24"W x 21"H	24" or 25"	27" or 28"
M1	17"	19"	16-20"W x 19"H	22" or 23"	25" or 26"	II1	21"	13"	20-24"W x 13"H	16" or 17"	19" or 20"
N1	17"	21"	16-20"W x 21"H	24" or 25"	27" or 28"	JJ1	21"	15"	20-24"W x 15"H	18" or 19"	21" or 22"
O1	18"	13"	16-20"W x 13"H	16" or 17"	19" or 20"	KK1	21"	17"	20-24"W x 17"H	20" or 21"	23" or 24"
P1	18"	15"	16-20"W x 15"H	18" or 19"	21" or 22"	LL1	21"	19"	20-24"W x 19"H	22" or 23"	25" or 26"
Q1	18"	17"	16-20"W x 17"H	20" or 21"	23" or 24"	MM1	21"	21"	20-24"W x 21"H	24" or 25"	27" or 28"
R1	18"	19"	16-20"W x 19"H	22" or 23"	25" or 26"	NN1	22"	13"	20-24"W x 13"H	16" or 17"	19" or 20"
S1	18"	21"	16-20"W x 21"H	24" or 25"	27" or 28"	OO1	22"	15"	20-24"W x 15"H	18" or 19"	21" or 22"
T1	19"	13"	16-20"W x 13"H	16" or 17"	19" or 20"	PP1	22"	17"	20-24"W x 17"H	20" or 21"	23" or 24"
U1	19"	15"	16-20"W x 15"H	18" or 19"	21" or 22"	QQ1	22"	19"	20-24"W x 19"H	22" or 23"	25" or 26"
V1	19"	17"	16-20"W x 17"H	20" or 21"	23" or 24"	RR1	22"	21"	20-24"W x 21"H	24" or 25"	27" or 28"

<sup>1</sup>. The sizes represent a cushion to pan gap of 3" for even sized overall back heights and 4" for odd sized overall back heights.

<sup>2</sup>. The sizes represent a cushion to pan gap of 6" for odd sized overall back heights and 7" for even sized overall back heights.

Item	Part No.	Name	Qty
A1		SEAT BACK,ASSY,12"W,10"W-14"W,11"H,SPORT BACK,TB3	1
B1	SET130246	SEAT BACK,ASSY,12"W,10"W-14"W,13"H,SPORT BACK 4,TRU-BALANCE 3	1
C1	SET130247	SEAT BACK,ASSY,14"W,10"W-14"W,11"H,SPORT BACK 4,TRU-BALANCE 3	1
D1	SET130248	SEAT BACK,ASSY,14"W,10"W-14"W,13"H,SPORT BACK 4	1
E1	SET130249	SEAT BACK,ASSY,16"W,16"W-20"W,13"H,SPORT BACK 4	1
F1	SET130250	SEAT BACK,ASSY,16"W,16"W-20"W,15"H,SPORT BACK 4	1
G1	SET130251	SEAT BACK,ASSY,16"W,16"W-20"W,17"H,SPORT BACK 4	1
H1	SET130252	SEAT BACK,ASSY,16"W,16"W-20"W,19"H,SPORT BACK 4	1
I1	SET130253	SEAT BACK,ASSY,16"W,16"W-20"W,21"H,SPORT BACK 4	1
J1		SEAT BACK,ASSY,17"W,16"W-20"W,13"H,SPORT BACK 4	1
K1	SET130255	SEAT BACK,ASSY,17"W,16"W-20"W,15"H,SPORT BACK 4	1
L1		SEAT BACK,ASSY,17"W,16"W-20"W,17"H,SPORT BACK 4	1
M1	SET130257	SEAT BACK,ASSY,17"W,16"W-20"W,19"H,SPORT BACK 4	1
N1	SET130258	SEAT BACK,ASSY,17"W,16"W-20"W,21"H,SPORT BACK 4	1
O1	SET130259	SEAT BACK,ASSY,18"W,16"W-20"W,13"H,SPORT BACK 4	1
P1	SET130260	SEAT BACK,ASSY,18"W,16"W-20"W,15"H,SPORT BACK 4	1
Q1	SET130261	SEAT BACK,ASSY,18"W,16"W-20"W,17"H,SPORT BACK 4	1
R1	SET130262	SEAT BACK,ASSY,18"W,16"W-20"W,19"H,SPORT BACK 4	1
S1	SET130263	SEAT BACK,ASSY,18"W,16"W-20"W,21"H,SPORT BACK 4	1
T1		SEAT BACK,ASSY,19"W,16"W-20"W,13"H,SPORT BACK 4	1
U1		SEAT BACK,ASSY,19"W,16"W-20"W,15"H,SPORT BACK 4	1
V1		SEAT BACK,ASSY,19"W,16"W-20"W,17"H,SPORT BACK 4	1
W1	SET130267	SEAT BACK,ASSY,19"W,16"W-20"W,19"H,SPORT BACK 4	1
X1	SET130268	SEAT BACK,ASSY,19"W,16"W-20"W,21"H,SPORT BACK 4	1
Y1	SET130269	SEAT BACK,ASSY,20"W,16"W-20"W,13"H,SPORT BACK 4	1
Z1	SET130271	SEAT BACK,ASSY,20"W,16"W-20"W,15"H,SPORT BACK 4	1
AA1		SEAT BACK,ASSY,20"W,16"W-20"W,17"H,SPORT BACK 4	1
BB1	SET130275	SEAT BACK,ASSY,20"W,16"W-20"W,19"H,SPORT BACK 4	1
CC1	SET130277	SEAT BACK,ASSY,20"W,16"W-20"W,21"H,SPORT BACK 4	1
DD1	SET130270	SEAT BACK,ASSY,20"W,20"W-24"W,13"H,SPORT BACK 4	1
EE1	SET130272	SEAT BACK,ASSY,20"W,20"W-24"W,15"H,SPORT BACK 4	1
FF1	SET130274	SEAT BACK,ASSY,20"W,20"W-24"W,17"H,SPORT BACK 4	1
GG1	SET130276	SEAT BACK,ASSY,20"W,20"W-24"W,19"H,SPORT BACK 4	1
HH1	SET130278	SEAT BACK,ASSY,20"W,20"W-24"W,21"H,SPORT BACK 4	1
II1		SEAT BACK,ASSY,21"W,20"W-24"W,13"H,SPORT BACK 4	1
JJ1		SEAT BACK,ASSY,21"W,20"W-24"W,15"H,SPORT BACK 4	1

## 12" - 22" W TB3 Sport Back Assy's (Refer to All of the notes)

- The 12" - 22" W TB3 Back assy's have been updated to include the Sport Back 4 Cushions.
- These particular backs ARE NOT UTILIZED on the Redesigned TB3 Back System. Refer to the TB3 Redesigned Back Sections.
- The assy's include the Back Pan Assy, Sport Back 4 Cushion, and the Bolster Supports.
- Sport Back Cushions have been discontinued. Various sizes of physical Sport Back cushions are available for replacement. Please refer to the Cushion Section or contact Technical Service for availability and more information.

Actual Back/ Cushion Size		For use on units with overall back Heights of:				Actual Back/ Cushion Size		For use on units with overall back Heights of:			
Ref	Width	Height	Back Pan Size	Static/Tilt Backs <sup>1</sup>	Recline Backs <sup>2</sup>	Ref	Width	Height	Back Pan Size	Static/Tilt Backs <sup>1</sup>	Recline Backs <sup>2</sup>
A1	12"	11"	10-14"W x 11"H	14" or 15"	17" or 18"	W1	19"	19"	16-20"W x 19"H	22" or 23"	25" or 26"
B1	12"	13"	10-14"W x 13"H	16" or 17"	19" or 20"	X1	19"	21"	16-20"W x 21"H	24" or 25"	27" or 28"
C1	14"	11"	10-14"W x 11"H	14" or 15"	17" or 18"	Y1	20"	13"	16-20"W x 13"H	16" or 17"	19" or 20"
D1	14"	13"	10-14"W x 13"H	16" or 17"	19" or 20"	Z1	20"	15"	16-20"W x 15"H	18" or 19"	21" or 22"
E1	16"	13"	16-20"W x 13"H	16" or 17"	19" or 20"	AA1	20"	17"	16-20"W x 17"H	20" or 21"	23" or 24"
F1	16"	15"	16-20"W x 15"H	18" or 19"	21" or 22"	BB1	20"	19"	16-20"W x 19"H	22" or 23"	25" or 26"
G1	16"	17"	16-20"W x 17"H	20" or 21"	23" or 24"	CC1	20"	21"	16-20"W x 21"H	24" or 25"	27" or 28"
H1	16"	19"	16-20"W x 19"H	22" or 23"	25" or 26"	DD1	20"	13"	20-24"W x 13"H	16" or 17"	19" or 20"
I1	16"	21"	16-20"W x 21"H	24" or 25"	27" or 28"	EE1	20"	15"	20-24"W x 15"H	18" or 19"	21" or 22"
J1	17"	13"	16-20"W x 13"H	16" or 17"	19" or 20"	FF1	20"	17"	20-24"W x 17"H	20" or 21"	23" or 24"
K1	17"	15"	16-20"W x 15"H	18" or 19"	21" or 22"	GG1	20"	19"	20-24"W x 19"H	22" or 23"	25" or 26"
L1	17"	17"	16-20"W x 17"H	20" or 21"	23" or 24"	HH1	20"	21"	20-24"W x 21"H	24" or 25"	27" or 28"
M1	17"	19"	16-20"W x 19"H	22" or 23"	25" or 26"	II1	21"	13"	20-24"W x 13"H	16" or 17"	19" or 20"
N1	17"	21"	16-20"W x 21"H	24" or 25"	27" or 28"	JJ1	21"	15"	20-24"W x 15"H	18" or 19"	21" or 22"
O1	18"	13"	16-20"W x 13"H	16" or 17"	19" or 20"	KK1	21"	17"	20-24"W x 17"H	20" or 21"	23" or 24"
P1	18"	15"	16-20"W x 15"H	18" or 19"	21" or 22"	LL1	21"	19"	20-24"W x 19"H	22" or 23"	25" or 26"
Q1	18"	17"	16-20"W x 17"H	20" or 21"	23" or 24"	MM1	21"	21"	20-24"W x 21"H	24" or 25"	27" or 28"
R1	18"	19"	16-20"W x 19"H	22" or 23"	25" or 26"	NN1	22"	13"	20-24"W x 13"H	16" or 17"	19" or 20"
S1	18"	21"	16-20"W x 21"H	24" or 25"	27" or 28"	OO1	22"	15"	20-24"W x 15"H	18" or 19"	21" or 22"
T1	19"	13"	16-20"W x 13"H	16" or 17"	19" or 20"	PP1	22"	17"	20-24"W x 17"H	20" or 21"	23" or 24"
U1	19"	15"	16-20"W x 15"H	18" or 19"	21" or 22"	QQ1	22"	19"	20-24"W x 19"H	22" or 23"	25" or 26"
V1	19"	17"	16-20"W x 17"H	20" or 21"	23" or 24"	RR1	22"	21"	20-24"W x 21"H	24" or 25"	27" or 28"

<sup>1</sup> The sizes represent a cushion to pan gap of 3" for even sized overall back heights and 4" for odd sized overall back heights.

<sup>2</sup> The sizes represent a cushion to pan gap of 6" for odd sized overall back heights and 7" for even sized overall back heights.

Item	Part No.	Name	Qty
KK1		SEAT BACK,ASSY,21"W,20"W-24"W,17"H,SPORT BACK 4	1
LL1	SET130292	SEAT BACK,ASSY,21"W,20"W-24"W,19"H,SPORT BACK 4	1
MM1	SET130293	SEAT BACK,ASSY,21"W,20"W-24"W,21"H,SPORT BACK 4	1
NN1	SET130294	SEAT BACK,ASSY,22"W,20"W-24"W,13"H,SPORT BACK 4	1
OO1		SEAT BACK,ASSY,22"W,20"W-24"W,15"H,SPORT BACK 4	1
PP1	SET130296	SEAT BACK,ASSY,22"W,20"W-24"W,17"H,SPORT BACK 4	1
QQ1	SET130297	SEAT BACK,ASSY,22"W,20"W-24"W,19"H,SPORT BACK 4	1
RR1	SET130298	SEAT BACK,ASSY,22"W,20"W-24"W,21"H,SPORT BACK 4	1

5.1. Back Pans w/ Cushions - Sport & TRU-Comfort 2

## 24" - 32" W TB3 Sport Back Assy's (Refer to All of the notes)

- As of 3-24-2020, the 24" - 32" W TB3 Back assy's are transitioning to include the Sport Back 4 Cushions. The particular sizes that have been updated will be noted in the chart below.
- These back assy's ARE NOT UTILIZED on the Redesigned TB3 Back System. Refer to the TB3 Redesigned Back Sections.
- The assy's include the Back Pan Assy, Sport Back/Sport Back 4 Cushion, and the Bolster Supports.
- These sizes of Sport Back Cushions are being discontinued. Various sizes of physical Sport Back cushions are available for replacement. Please refer to the Cushion Section or contact Technical Service for availability and more information.

Actual Back/ Cushion Size		For use on units with overall back Heights of:				Updated to SB4	Actual Back/ Cushion Size		For use on units with overall back Heights of:				Updated to SB4
Ref	W	H	Back Pan Size	Static/Tilt Backs <sup>1</sup>	Recline Backs <sup>2</sup>		Ref	W	H	Back Pan Size	Static/Tilt Backs <sup>1</sup>	Recline Backs <sup>2</sup>	
A1	24"	13"	20-24"W x 13"H	16" or 17"	19" or 20"		S1	28"	19"	24-28"W x 19"H	22" or 23"	25" or 26"	
B1	24"	15"	20-24"W x 15"H	18" or 19"	21" or 22"		T1	28"	21"	24-28"W x 21"H	24" or 25"	27" or 28"	
C1	24"	17"	20-24"W x 17"H	20" or 21"	23" or 24"		U1	28"	13"	28-32"W x 13"H	16" or 17"	19" or 20"	
D1	24"	19"	20-24"W x 19"H	22" or 23"	25" or 26"		V1	28"	15"	28-32"W x 15"H	18" or 19"	21" or 22"	
E1	24"	21"	20-24"W x 21"H	24" or 25"	27" or 28"		<b>W1</b>	<b>28"</b>	<b>17"</b>	<b>28-32"W x 17"H</b>	<b>20" or 21"</b>	<b>23" or 24"</b>	<b>YES</b>
F1	24"	13"	24-28"W x 13"H	16" or 17"	19" or 20"		X1	28"	19"	28-32"W x 19"H	22" or 23"	25" or 26"	
G1	24"	15"	24-28"W x 15"H	18" or 19"	21" or 22"		Y1	28"	21"	28-32"W x 21"H	24" or 25"	27" or 28"	
H1	24"	17"	24-28"W x 17"H	20" or 21"	23" or 24"		Z1	30"	13"	28-32"W x 13"H	16" or 17"	19" or 20"	
I1	24"	19"	24-28"W x 19"H	22" or 23"	25" or 26"		AA1	30"	15"	28-32"W x 15"H	18" or 19"	21" or 22"	
J1	24"	21"	24-28"W x 21"H	24" or 25"	27" or 28"		BB1	30"	17"	28-32"W x 17"H	20" or 21"	23" or 24"	
K1	26"	13"	24-28"W x 13"H	16" or 17"	19" or 20"		CC1	30"	19"	28-32"W x 19"H	22" or 23"	25" or 26"	
L1	26"	15"	24-28"W x 15"H	18" or 19"	21" or 22"		DD1	30"	21"	28-32"W x 21"H	24" or 25"	27" or 28"	
<b>M1</b>	<b>26"</b>	<b>17"</b>	<b>24-28"W x 17"H</b>	<b>20" or 21"</b>	<b>23" or 24"</b>	<b>YES</b>	EE1	32"	13"	28-32"W x 13"H	16" or 17"	19" or 20"	
N1	26"	19"	24-28"W x 19"H	22" or 23"	25" or 26"		FF1	32"	15"	28-32"W x 15"H	18" or 19"	21" or 22"	
O1	26"	21"	24-28"W x 21"H	24" or 25"	27" or 28"		GG1	32"	17"	28-32"W x 17"H	20" or 21"	23" or 24"	
P1	28"	13"	24-28"W x 13"H	16" or 17"	19" or 20"		HH1	32"	19"	28-32"W x 19"H	22" or 23"	25" or 26"	
Q1	28"	15"	24-28"W x 15"H	18" or 19"	21" or 22"		II1	32"	21"	28-32"W x 21"H	24" or 25"	27" or 28"	
<b>R1</b>	<b>28"</b>	<b>17"</b>	<b>24-28"W x 17"H</b>	<b>20" or 21"</b>	<b>23" or 24"</b>	<b>YES</b>							

**Bold Italic Lines Represent that assy has been updated to the Sport Back 4.**

<sup>1</sup>The sizes represent a cushion to pan gap of 3" for even sized overall back heights and 4" for odd sized overall back heights.

<sup>2</sup>The sizes represent a cushion to pan gap of 6" for odd sized overall back heights and 7" for even sized overall back heights.

Item	Part No.	Name	Qty
A1	SET130299	SEAT BACK,ASSY,24"W,20"W-24"W,13"H,SPORT BACK,TB3	1
B1	SET130301	SEAT BACK,ASSY,24"W,20"W-24"W,15"H,SPORT BACK,TB3	1
C1	SET130303	SEAT BACK,ASSY,24"W,20"W-24"W,17"H,SPORT BACK,TB3	1
D1	SET130305	SEAT BACK,ASSY,24"W,20"W-24"W,19"H,SPORT BACK,TB3	1
E1	SET130308	SEAT BACK,ASSY,24"W,20"W-24"W,21"H,SPORT BACK,TB3	1
F1	SET130300	SEAT BACK,ASSY,24"W,24"W-28"W,13"H,SPORT BACK,TB3	1
G1	SET130302	SEAT BACK,ASSY,24"W,24"W-28"W,15"H,SPORT BACK,TB3	1
H1	SET130304	SEAT BACK,ASSY,24"W,24"W-28"W,17"H,SPORT BACK,TB3	1
I1	SET130306	SEAT BACK,ASSY,24"W,24"W-28"W,19"H,SPORT BACK,TB3	1
J1	SET130309	SEAT BACK,ASSY,24"W,24"W-28"W,21"H,SPORT BACK,TB3	1
K1	SET130310	SEAT BACK,ASSY,26"W,24"W-28"W,13"H,SPORT BACK,TB3	1
L1	SET130311	SEAT BACK,ASSY,26"W,24"W-28"W,15"H,SPORT BACK,TB3	1
M1	SET130312	SEAT BACK,ASSY,26"W,24"W-28"W,17"H,SB4,TB3	1
N1	SET130314	SEAT BACK,ASSY,26"W,24"W-28"W,19"H,SPORT BACK,TB3	1
O1	SET130315	SEAT BACK,ASSY,26"W,24"W-28"W,21"H,SPORT BACK,TB3	1
P1	SET130316	SEAT BACK,ASSY,28"W,24"W-28"W,13"H,SPORT BACK,TB3	1
Q1	SET130318	SEAT BACK,ASSY,28"W,24"W-28"W,15"H,SPORT BACK,TB3	1
R1	SET130320	SEAT BACK,ASSY,28"W,24"W-28"W,17"H,SB4,TB3	1
S1	SET130322	SEAT BACK,ASSY,28"W,24"W-28"W,19"H,SPORT BACK,TB3	1
T1	SET130341	SEAT BACK,ASSY,28"W,24"W-28"W,21"H,SPORT BACK,TB3	1
U1		SEAT BACK,ASSY,28"W,28"W-32"W,13"H,SPORT BACK,TB3	1
V1		SEAT BACK,ASSY,28"W,28"W-32"W,15"H,SPORT BACK,TB3	1
W1		SEAT BACK,ASSY,28"W,28"W-32"W,17"H,SB4,TB3	1
X1		SEAT BACK,ASSY,28"W,28"W-32"W,19"H,SPORT BACK,TB3	1
Y1		SEAT BACK,ASSY,28"W,28"W-32"W,21"H,SPORT BACK,TB3	1
Z1		SEAT BACK,ASSY,30"W,28"W-32"W,13"H,SPORT BACK,TB3	1
AA1		SEAT BACK,ASSY,30"W,28"W-32"W,15"H,SPORT BACK,TB3	1
BB1		SEAT BACK,ASSY,30"W,28"W-32"W,17"H,SPORT BACK,TB3	1
CC1		SEAT BACK,ASSY,30"W,28"W-32"W,19"H,SPORT BACK,TB3	1
DD1		SEAT BACK,ASSY,30"W,28"W-32"W,21"H,SPORT BACK,TB3	1
EE1		SEAT BACK,ASSY,32"W,28"W-32"W,13"H,SPORT BACK,TB3	1
FF1		SEAT BACK,ASSY,32"W,28"W-32"W,15"H,SPORT BACK,TB3	1
GG1		SEAT BACK,ASSY,32"W,28"W-32"W,17"H,SPORT BACK,TB3	1
HH1	SET130335	SEAT BACK,ASSY,32"W,28"W-32"W,19"H,SPORT BACK,TB3	1
II1		SEAT BACK,ASSY,32"W,28"W-32"W,21"H,SPORT BACK,TB3	1

### 5.1. Back Pans w/ Cushions - Sport & TRU-Comfort 2

## 12" - 22" W TB3 TRU-Comfort (2/4) Back Assy's (Refer to All of the notes)

- The 12" - 22" W TB3 Back assy's have been updated to include the TRU-Comfort 4 Back Cushions
- These particular backs ARE NOT UTILIZED on the Redesigned TB3 Back System. Refer to the TB3 Redesigned Back Sections.
- The assy's include the Back Pan Assy, TRU-Comfort 4 Back Cushion, and the Bolster Supports.
- TRU-Comfort 2 Back Cushions have been discontinued. Various sizes of physical TRU-Comfort 2 back cushions are available for replacement. Please refer to the Cushion Section or contact Technical Service for availability and more information.

Actual Back/ Cushion Size		For use on units with overall back Heights of:		Actual Back/ Cushion Size		For use on units with overall back Heights of:					
Ref	Width	Height	Back Pan Size	Static/Tilt Backs <sup>1</sup>	Recline Backs <sup>2</sup>	Ref	Width	Height	Back Pan Size	Static/Tilt Backs <sup>1</sup>	Recline Backs <sup>2</sup>
A1	12"	11"	10-14"W x 11"H	14" or 15"	N/A	R1	19"	17"	16-20"W x 17"H	20" or 21"	23" or 24"
B1	14"	13"	10-14"W x 13"H	16" or 17"	19" or 20"	S1	19"	19"	16-20"W x 19"H	22" or 23"	25" or 26"
C1	16"	13"	16-20"W x 13"H	16" or 17"	19" or 20"	T1	20"	13"	16-20"W x 13"H	16" or 17"	19" or 20"
D1	16"	15"	16-20"W x 15"H	18" or 19"	21" or 22"	U1	20"	15"	16-20"W x 15"H	18" or 19"	21" or 22"
E1	16"	17"	16-20"W x 17"H	20" or 21"	23" or 24"	V1	20"	17"	16-20"W x 17"H	20" or 21"	23" or 24"
F1	16"	19"	16-20"W x 19"H	22" or 23"	25" or 26"	W1	20"	19"	16-20"W x 19"H	22" or 23"	25" or 26"
G1	17"	13"	16-20"W x 13"H	16" or 17"	19" or 20"	X1	20"	21"	16-20"W x 21"H	24" or 25"	27" or 28"
H1	17"	15"	16-20"W x 15"H	18" or 19"	21" or 22"	Y1	20"	13"	20-24"W x 13"H	16" or 17"	19" or 20"
I1	17"	17"	16-20"W x 17"H	20" or 21"	23" or 24"	Z1	20"	15"	20-24"W x 15"H	18" or 19"	21" or 22"
J1	17"	19"	16-20"W x 19"H	22" or 23"	25" or 26"	AA1	20"	17"	20-24"W x 17"H	20" or 21"	23" or 24"
K1	18"	13"	16-20"W x 13"H	16" or 17"	19" or 20"	BB1	20"	19"	20-24"W x 19"H	22" or 23"	25" or 26"
L1	18"	15"	16-20"W x 15"H	18" or 19"	21" or 22"	CC1	20"	21"	20-24"W x 21"H	24" or 25"	27" or 28"
M1	18"	17"	16-20"W x 17"H	20" or 21"	23" or 24"	DD1	22"	13"	20-24"W x 13"H	16" or 17"	19" or 20"
N1	18"	19"	16-20"W x 19"H	22" or 23"	25" or 26"	EE1	22"	15"	20-24"W x 15"H	18" or 19"	21" or 22"
O1	18"	21"	16-20"W x 21"H	24" or 25"	27" or 28"	FF1	22"	17"	20-24"W x 17"H	20" or 21"	23" or 24"
P1	19"	13"	16-20"W x 13"H	16" or 17"	19" or 20"	GG1	22"	19"	20-24"W x 19"H	22" or 23"	25" or 26"
Q1	19"	15"	16-20"W x 15"H	18" or 19"	21" or 22"						

<sup>1</sup>. The sizes represent a cushion to pan gap of 3" for even sized overall back heights and 4" for odd sized overall back heights.

<sup>2</sup>. The sizes represent a cushion to pan gap of 6" for odd sized overall back heights and 7" for even sized overall back heights.



Item	Part No.	Name	Qty
A1	SET123622	SEAT BACK,ASSY,12"W,10"W-14"W,11"H, TC4V,4 WAY STRETCH	1
B1	SET123623	SEAT BACK,ASSY,14"W,10"W-14"W,13"H,TC4V,4 WAY STRETCH	1
C1	SET123631	SEAT BACK,ASSY,16"W,16"W-20"W,13"H,TC4V,4 WAY STRETCH	1
D1	SET123633	SEAT BACK,ASSY,16"W,16"W-20"W,15"H,TC4V,4 WAY STRETCH	1
E1	SET123635	SEAT BACK,ASSY,16"W,16"W-20"W,17"H,TC4V,4 WAY STRETCH	1
F1	SET123637	SEAT BACK,ASSY,16"W,16"W-20"W,19"H,TC4V,4 WAY STRETCH	1
G1	SET123639	SEAT BACK,ASSY,17"W,16"W-20"W,13"H,TC4V,4 WAY STRETCH	1
H1	SET123641	SEAT BACK,ASSY,17"W,16"W-20"W,15"H,TC4V,4 WAY STRETCH	1
I1	SET123651	SEAT BACK,ASSY,17"W,16"W-20"W,17"H,TC4V,4 WAY STRETCH	1
J1	SET123653	SEAT BACK,ASSY,17"W,16"W-20"W,19"H,TC4V,4 WAY STRETCH	1
K1	SET123655	SEAT BACK,ASSY,18"W,16"W-20"W,13"H,TC4V,4 WAY STRETCH	1
L1	SET124576	SEAT BACK,ASSY,18"W,16"W-20"W,15"H,TC4V,4 WAY STRETCH	1
M1	SET124578	SEAT BACK,ASSY,18"W,16"W-20"W,17"H,TC4V,4 WAY STRETCH	1
N1	SET124597	SEAT BACK,ASSY,18"W,16"W-20"W,19"H,TC4V,4 WAY STRETCH	1
O1	SET124599	SEAT BACK,ASSY,18"W,16"W-20"W,21"H,TC4V,4 WAY STRETCH	1
P1	SET124601	SEAT BACK,ASSY,19"W,16"W-20"W,13"H,TC4V,4 WAY STRETCH	1
Q1	SET124602	SEAT BACK,ASSY,19"W,16"W-20"W,15"H,TC4V,4 WAY STRETCH	1
R1	SET124603	SEAT BACK,ASSY,19"W,16"W-20"W,17"H,TC4V,4 WAY STRETCH	1
S1	SET124605	SEAT BACK,ASSY,19"W,16"W-20"W,19"H,TC4V,4 WAY STRETCH	1
T1	SET124606	SEAT BACK,ASSY,20"W,16"W-20"W,13"H,TC4V,4 WAY STRETCH	1
U1	SET124609	SEAT BACK,ASSY,20"W,16"W-20"W,15"H,TC4V,4 WAY STRETCH	1
V1	SET124611	SEAT BACK,ASSY,20"W,16"W-20"W,17"H,TC4V,4 WAY STRETCH	1
W1	SET124613	SEAT BACK,ASSY,20"W,16"W-20"W,19"H,TC4V,4 WAY STRETCH	1
X1	SET124619	SEAT BACK,ASSY,20"W,16"W-20"W,21"H,TC4V,4 WAY STRETCH	1
Y1	SET124607	SEAT BACK,ASSY,20"W,20"W-24"W,13"H,TC4V,4 WAY STRETCH	1
Z1	SET124610	SEAT BACK,ASSY,20"W,20"W-24"W,15"H,TC4V,4 WAY STRETCH	1
AA1	SET124612	SEAT BACK,ASSY,20"W,20"W-24"W,17"H,TC4V,4 WAY STRETCH	1
BB1	SET124618	SEAT BACK,ASSY,20"W,20"W-24"W,19"H,TC4V,4 WAY STRETCH	1
CC1	SET124623	SEAT BACK,ASSY,20"W,20"W-24"W,21"H,TC4V,4 WAY STRETCH	1
DD1	SET124624	SEAT BACK,ASSY,22"W,20"W-24"W,13"H,TC4V,4 WAY STRETCH	1
EE1	SET124625	SEAT BACK,ASSY,22"W,20"W-24"W,15"H,TC4V,4 WAY STRETCH	1
FF1	SET124626	SEAT BACK,ASSY,22"W,20"W-24"W,17"H,TC4V,4 WAY STRETCH	1
GG1	SET124627	SEAT BACK,ASSY,22"W,20"W-24"W,19"H,TC4V,4 WAY STRETCH	1

## 5.1. Back Pans w/ Cushions - Sport &amp; TRU-Comfort 2

## 24" - 28" W TB3 TRU-Comfort (2/4) Back Assy's (Refer to All of the notes)

- As of 3-24-2020, various sizes of the 24" - 28" W TB3 Back assy's have been updated to include the TRU-Comfort 4 Back Cushions. The particular sizes that have been updated will be noted in the chart below.
- These back assy's ARE NOT UTILIZED on the Redesigned TB3 Back System. Refer to the TB3 Redesigned Back Sections.
- The assy's include the Back Pan Assy, TRU-Comfort 2 or 4 Back Cushion, and the Bolster Supports.
- These sizes of TRU-Comfort 2 Back Cushions are being discontinued. Various sizes of physical TRU-Comfort 2 back cushions are available for replacement. Please refer to the Cushion Section or contact Technical Service for availability and more information.

Ref	Actual Back/ Cushion Size		Back Pan Size	For use on units with overall back Heights of:		Updated to TC4
	Width	Height		Static/Tilt Backs <sup>1</sup>	Recline Backs <sup>2</sup>	
A1	24"	13"	20-24"W x 13"H	16" or 17"	19" or 20"	
<b><i>B1</i></b>	<b><i>24"</i></b>	<b><i>15"</i></b>	<b><i>20-24"W x 15"H</i></b>	<b><i>18" or 19"</i></b>	<b><i>21" or 22"</i></b>	<b><i>YES</i></b>
<b><i>C1</i></b>	<b><i>24"</i></b>	<b><i>17"</i></b>	<b><i>20-24"W x 17"H</i></b>	<b><i>20" or 21"</i></b>	<b><i>23" or 24"</i></b>	<b><i>YES</i></b>
<b><i>D1</i></b>	<b><i>24"</i></b>	<b><i>19"</i></b>	<b><i>20-24"W x 19"H</i></b>	<b><i>22" or 23"</i></b>	<b><i>25" or 26"</i></b>	<b><i>YES</i></b>
E1	24"	13"	24-28"W x 13"H	16" or 17"	19" or 20"	
<b><i>F1</i></b>	<b><i>24"</i></b>	<b><i>15"</i></b>	<b><i>24-28"W x 15"H</i></b>	<b><i>18" or 19"</i></b>	<b><i>21" or 22"</i></b>	<b><i>YES</i></b>
<b><i>G1</i></b>	<b><i>24"</i></b>	<b><i>17"</i></b>	<b><i>24-28"W x 17"H</i></b>	<b><i>20" or 21"</i></b>	<b><i>23" or 24"</i></b>	<b><i>YES</i></b>
<b><i>H1</i></b>	<b><i>24"</i></b>	<b><i>19"</i></b>	<b><i>24-28"W x 19"H</i></b>	<b><i>22" or 23"</i></b>	<b><i>25" or 26"</i></b>	<b><i>YES</i></b>
<b><i>I1</i></b>	<b><i>26"</i></b>	<b><i>15"</i></b>	<b><i>24-28"W x 15"H</i></b>	<b><i>18" or 19"</i></b>	<b><i>21" or 22"</i></b>	<b><i>YES</i></b>
J1	26"	17"	24-28"W x 17"H	20" or 21"	23" or 24"	
K1	28"	15"	24-28"W x 15"H	18" or 19"	21" or 22"	
<b><i>L1</i></b>	<b><i>28"</i></b>	<b><i>17"</i></b>	<b><i>24-28"W x 17"H</i></b>	<b><i>20" or 21"</i></b>	<b><i>23" or 24"</i></b>	<b><i>YES</i></b>
M1	28"	15"	28-32"W x 15"H	18" or 19"	21" or 22"	
<b><i>N1</i></b>	<b><i>28"</i></b>	<b><i>17"</i></b>	<b><i>28-32"W x 17"H</i></b>	<b><i>20" or 21"</i></b>	<b><i>23" or 24"</i></b>	<b><i>YES</i></b>

**Bold Italic Lines Represent that assy has been updated  
to TRU-Comfort 4.**

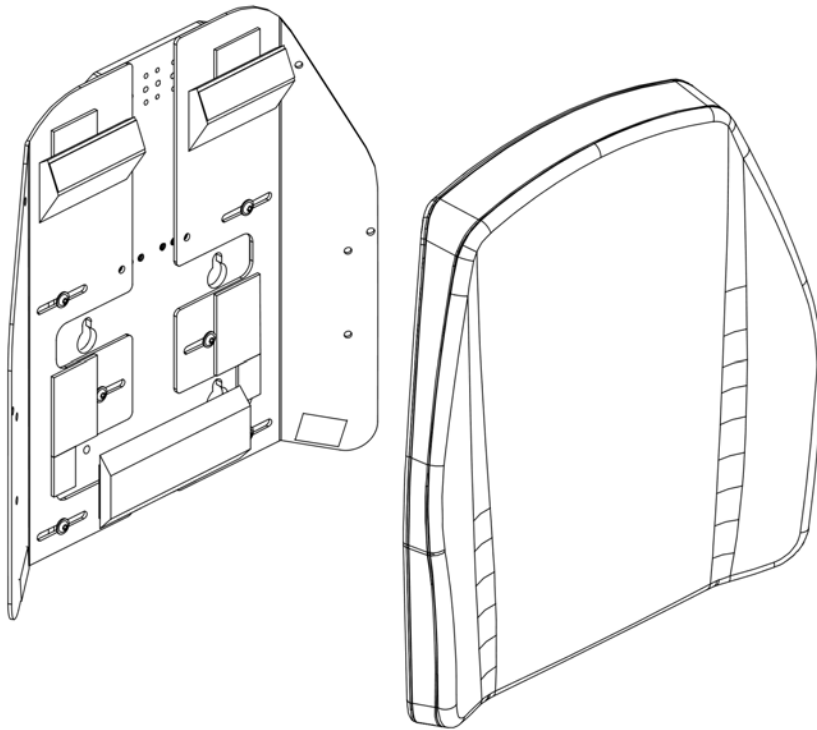
<sup>1</sup> The sizes represent a cushion to pan gap of 3" for even sized overall back heights and 4" for odd sized overall back heights.

<sup>2</sup> The sizes represent a cushion to pan gap of 6" for odd sized overall back heights and 7" for even sized overall back heights.

Item	Part No.	Name	Qty
A1	SET124628	SEAT BACK,ASSY,24"W,20"W-24"W,13"H,TC2,4 WAY STRETCH	1
B1	SET124629	SEAT BACK,ASSY,24"W,20"W-24"W,15"H,TC4V,4 WAY STRETCH	1
C1	SET124630	SEAT BACK,ASSY,24"W,20"W-24"W,17"H,TC4V,4 WAY STRETCH	1
D1	SET124631	SEAT BACK,ASSY,24"W,20"W-24"W,19"H,TC4V,4 WAY STRETCH	1
E1	SET130059	SEAT BACK,ASSY,24"W,24"W-28"W,13"H,TC2,4 WAY STRETCH	1
F1	SET130060	SEAT BACK,ASSY,24"W,24"W-28"W,15"H,TC4V,4 WAY STRETCH	1
G1	SET130061	SEAT BACK,ASSY,24"W,24"W-28"W,17"H,TC4V,4 WAY STRETCH	1
H1	SET130062	SEAT BACK,ASSY,24"W,24"W-28"W,19"H,TC4V,4 WAY STRETCH	1
I1	SET124633	SEAT BACK,ASSY,26"W,24"W-28"W,15"H,TC4V,4 WAY STRETCH	1
J1	SET124634	SEAT BACK,ASSY,26"W,24"W-28"W,17"H,TRU-COMFORT 2,4 WAY STRETCH	1
K1		SEAT BACK,ASSY,28"W,24"W-28"W,15"H,TRU-COMFORT 2,4 WAY STRETCH	1
L1	SET124647	SEAT BACK,ASSY,28"W,24"W-28"W,17"H,TC4V,4 WAY STRETCH	1
M1	SET124646	SEAT BACK,ASSY,28"W,28"W-32"W,15"H,TRU-COMFORT 2,4 WAY STRETCH	1
N1	SET124648	SEAT BACK,ASSY,28"W,28"W-32"W,17"H,TC4V,4 WAY STRETCH	1

*5.1. Back Pans w/ Cushions - Sport & TRU-Comfort 2*

The Tru-Comfort 2 Complete Back Assemblies w/ Mesh Cushion have been discontinued and are no longer available for replacement.



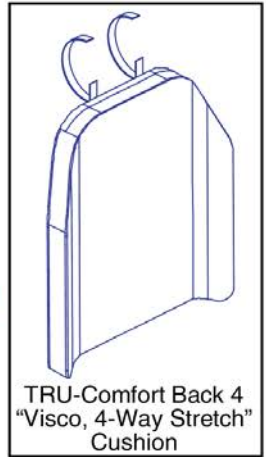
Please Contact Technical Service for replacement options.

This page intentionally left blank

5.2. Back Cushion - Sport & TRU-Comfort 2

The TRU-Comfort 2 Back Cushions have been discontinued and replaced by the TRU-Comfort 4 Back Cushions.

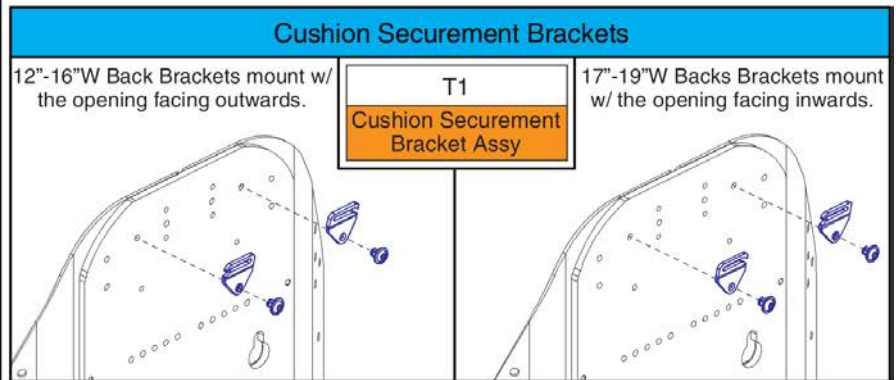
- As of March 18th, 2020, only sizes listed with a callout are available for replacement. Limited quantities are on hand. Contact technical service for availability.
  - If the desired size is not listed as available and the Ref # is listed as TC4V, please refer to the TRU-Comfort 4 Back Cushions pages for a replacement cushion.
  - Please note that the replacement cushion will be slightly larger than the existing and it will contain securement straps. The straps can be tucked in between the cushion and the back pan.
  - Cushion securement brackets can be procured and affixed to the center back pan.
- Please see below.



12" - 19" W TRU-Comfort 2 Cushions (Refer to All of the notes)				
Ref	Actual Back/ Cushion Size		For use on units w/ overall back Heights of:	
	Width	Height	Static/Tilt Backs <sup>1</sup>	Recline Backs <sup>2</sup>
A1	12"	11"	14" or 15"	17" or 18"
TC4V	14"	13"	16" or 17"	19" or 20"
TC4V	16"	13"	16" or 17"	19" or 20"
D1	16"	15"	18" or 19"	21" or 22"
TC4V	16"	17"	20" or 21"	23" or 24"
F1	16"	19"	22" or 23"	25" or 26"
G1	17"	13"	16" or 17"	19" or 20"
H1	17"	15"	18" or 19"	21" or 22"
I1	17"	17"	20" or 21"	23" or 24"
J1	17"	19"	22" or 23"	25" or 26"
K1	18"	13"	16" or 17"	19" or 20"
TC4V	18"	15"	18" or 19"	21" or 22"
TC4V	18"	17"	20" or 21"	23" or 24"
TC4V	18"	19"	22" or 23"	25" or 26"
O1	18"	21"	24" or 25"	27" or 28"
P1	19"	13"	16" or 17"	19" or 20"
Q1	19"	15"	18" or 19"	21" or 22"
R1	19"	17"	20" or 21"	23" or 24"
TC4V	19"	19"	22" or 23"	25" or 26"

1. The sizes represent a cushion to pan gap of 3" for even sized overall back heights and 4" for odd sized overall back heights.
2. The sizes represent a cushion to pan gap of 6" for odd sized overall back heights and 7" for even sized overall back heights.

TC4V = Refer to TRU-Comfort 4 Back Cushions.

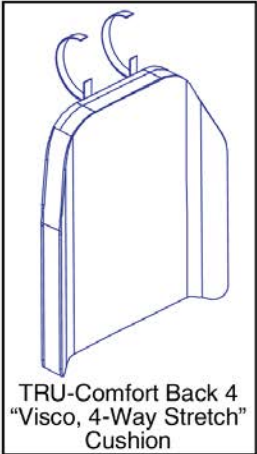


Item	Part No.	Name	Qty
A1	CUS121432	CUSHION PAD,ASSY,BACK,12"W,11"H,TC2,4 WAY STRETCH	1
B1		CUSHION PAD,ASSY,BACK,14"W,13"H,TC2,4 WAY STRETCH	1
C1		CUSHION PAD,ASSY,BACK,16"W,13"H,TC2,4 WAY STRETCH	1
D1	CUS121442	CUSHION PAD,ASSY,BACK,16"W,15"H,TC2,4 WAY STRETCH	1
E1		CUSHION PAD,ASSY,BACK,16"W,17"H,TC2,4 WAY STRETCH	1
F1		CUSHION PAD,ASSY,BACK,16"W,19"H,TC2,4 WAY STRETCH	1
G1	CUS121446	CUSHION PAD,ASSY,BACK,17"W,13"H,TC2,4 WAY STRETCH	1
H1	CUS121447	CUSHION PAD,ASSY,BACK,17"W,15"H,TC2,4 WAY STRETCH	1
I1	CUS121448	CUSHION PAD,ASSY,BACK,17"W,17"H,TC2,4 WAY STRETCH	1
J1	CUS121449	CUSHION PAD,ASSY,BACK,17"W,19"H,TC2,4 WAY STRETCH	1
K1	CUS121450	CUSHION PAD,ASSY,BACK,18"W,13"H,TC2,4 WAY STRETCH	1
L1		CUSHION PAD,ASSY,BACK,18"W,15"H,TC2,4 WAY STRETCH	1
M1		CUSHION PAD,ASSY,BACK,18"W,17"H,TC2,4 WAY STRETCH	1
N1		CUSHION PAD,ASSY,BACK,18"W,19"H,TC2,4 WAY STRETCH	1
O1	CUS121454	CUSHION PAD,ASSY,BACK,18"W,21"H,TC2,4 WAY STRETCH	1
P1	CUS121455	CUSHION PAD,ASSY,BACK,19"W,13"H,TC2,4 WAY STRETCH	1
Q1	CUS121456	CUSHION PAD,ASSY,BACK,19"W,15"H,TC2,4 WAY STRETCH	1
R1	CUS121458	CUSHION PAD,ASSY,BACK,19"W,17"H,TC2,4 WAY STRETCH	1
S1		CUSHION PAD,ASSY,BACK,19"W,19"H,TC2,4 WAY STRETCH	1
T1	MEC1907389	BACK CUSHION SECUREMENT BRACKET,REDESIGNED BACK,PAIR	1

5.2. Back Cushion - Sport & TRU-Comfort 2

The TRU-Comfort 2 Back Cushions have been discontinued and replaced by the TRU-Comfort 4 Back Cushions.

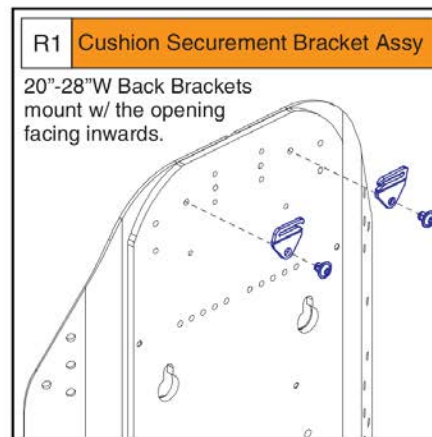
- As of March 18th, 2020, only sizes listed with a callout are available for replacement. Limited quantities are on hand. Contact technical service for availability.
  - If the desired size is not listed as available and the Ref # is listed as TC4V, please refer to the TRU-Comfort 4 Back Cushions pages for a replacement cushion.
  - Please note that the replacement cushion will be slightly larger than the existing and it will contain securement straps. The straps can be tucked in between the cushion and the back pan.
  - Cushion securement brackets can be procured and affixed to the center back pan.
- Please see below.



20" - 28" W TRU-Comfort 2 Cushions (Refer to All of the notes)				
Ref	Actual Back/ Cushion Size		For use on units w/ overall back Heights of:	
	Width	Height	Static/Tilt Backs <sup>1</sup>	Recline Backs <sup>2</sup>
A1	20"	13"	16" or 17"	19" or 20"
B1	20"	15"	18" or 19"	21" or 22"
TC4V	20"	17"	20" or 21"	23" or 24"
D1	20"	19"	22" or 23"	25" or 26"
E1	20"	21"	24" or 25"	27" or 28"
F1	22"	13"	16" or 17"	19" or 20"
G1	22"	15"	18" or 19"	21" or 22"
H1	22"	17"	20" or 21"	23" or 24"
I1	22"	19"	22" or 23"	25" or 26"
J1	24"	13"	16" or 17"	19" or 20"
K1	24"	15"	18" or 19"	21" or 22"
TC4V	24"	17"	20" or 21"	23" or 24"
TC4V	24"	19"	22" or 23"	25" or 26"
TC4V	26"	15"	18" or 19"	21" or 22"
O1	26"	17"	20" or 21"	23" or 24"
TC4V	28"	15"	18" or 19"	21" or 22"
TC4V	28"	17"	20" or 21"	23" or 24"

1. The sizes represent a cushion to pan gap of 3" for even sized overall back heights and 4" for odd sized overall back heights.
2. The sizes represent a cushion to pan gap of 6" for odd sized overall back heights and 7" for even sized overall back heights.

TC4V = Refer to TRU-Comfort 4 Back Cushions.



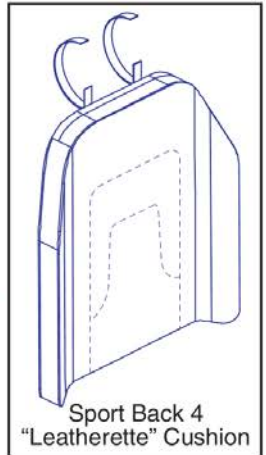


Item	Part No.	Name	Qty
A1	CUS121462	CUSHION PAD,ASSY,BACK,20"W,13"H,TC2,4 WAY STRETCH	1
B1	CUS121463	CUSHION PAD,ASSY,BACK,20"W,15"H,TC2,4 WAY STRETCH	1
C1		CUSHION PAD,ASSY,BACK,20"W,17"H,TC2,4 WAY STRETCH	1
D1	CUS121465	CUSHION PAD,ASSY,BACK,20"W,19"H,TC2,4 WAY STRETCH	1
E1	CUS121466	CUSHION PAD,ASSY,BACK,20"W,21"H,TC2,4 WAY STRETCH	1
F1	CUS121467	CUSHION PAD,ASSY,BACK,22"W,13"H,TC2,4 WAY STRETCH	1
G1	CUS121468	CUSHION PAD,ASSY,BACK,22"W,15"H,TC2,4 WAY STRETCH	1
H1	CUS121469	CUSHION PAD,ASSY,BACK,22"W,17"H,TC2,4 WAY STRETCH	1
I1	CUS121470	CUSHION PAD,ASSY,BACK,22"W,19"H,TC2,4 WAY STRETCH	1
J1	CUS121471	CUSHION PAD,ASSY,BACK,24"W,13"H,TC2,4 WAY STRETCH	1
K1	CUS121472	CUSHION PAD,ASSY,BACK,24"W,15"H,TC2,4 WAY STRETCH	1
L1		CUSHION PAD,ASSY,BACK,24"W,17"H,TC2,4 WAY STRETCH	1
M1		CUSHION PAD,ASSY,BACK,24"W,19"H,TC2,4 WAY STRETCH	1
N1		CUSHION PAD,ASSY,BACK,26"W,15"H,TC2,4 WAY STRETCH	1
O1	CUS121477	CUSHION PAD,ASSY,BACK,26"W,17"H,TC2,4 WAY STRETCH	1
P1		CUSHION PAD,ASSY,BACK,28"W,15"H,TC2,4 WAY STRETCH	1
Q1		CUSHION PAD,ASSY,BACK,28"W,17"H,TC2,4 WAY STRETCH	1
R1	MEC1907389	BACK CUSHION SECUREMENT BRACKET,REDESIGNED BACK,PAIR	1

5.2. Back Cushion - Sport & TRU-Comfort 2

The Sport Back Cushions have been discontinued and replaced by the Sport Back 4 Cushions.

- As of March 18th, 2020, only sizes listed with a callout are available for replacement. Limited quantities are on hand. Contact technical service for availability.
- If the desired size is not listed as available and the Ref # is listed as SB4, please refer to the Sport Back 4 Cushions pages for a replacement cushion.
- Please note that the replacement cushion will be slightly larger than the existing and it will contain securement straps. The straps can be tucked in between the cushion and the back pan.
- Cushion securement brackets can be procured and affixed to the center back pan. Please see below.

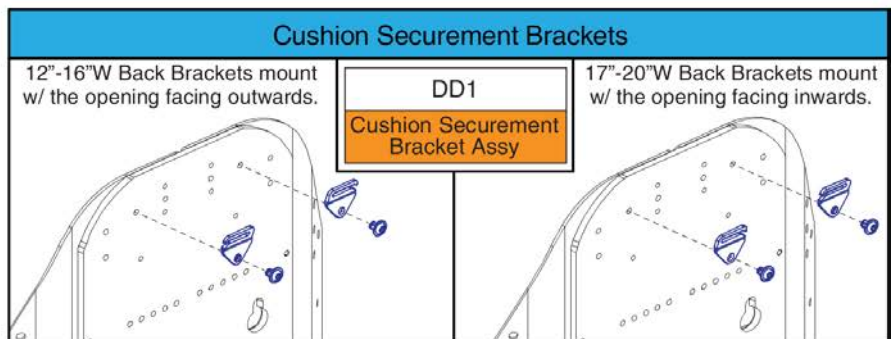


12" - 20" W Sport Back Cushions (Refer to All of the notes)				
Ref	Actual Back/Cushion Size		For use on units w/ overall back Heights of:	
	Width	Height	Static/Tilt Backs <sup>1</sup>	Recline Backs <sup>2</sup>
SB4	12"	11"	14" or 15"	17" or 18"
B1	12"	13"	16" or 17"	19" or 20"
C1	14"	11"	14" or 15"	17" or 18"
D1	14"	13"	16" or 17"	19" or 20"
E1	16"	13"	16" or 17"	19" or 20"
F1	16"	15"	18" or 19"	21" or 22"
G1	16"	17"	20" or 21"	23" or 24"
H1	16"	19"	22" or 23"	25" or 26"
I1	16"	21"	24" or 25"	27" or 28"
SB4	17"	13"	16" or 17"	19" or 20"
K1	17"	15"	18" or 19"	21" or 22"
L1	17"	17"	20" or 21"	23" or 24"
M1	17"	19"	22" or 23"	25" or 26"
N1	17"	21"	24" or 25"	27" or 28"
O1	18"	13"	16" or 17"	19" or 20"
P1	18"	15"	18" or 19"	21" or 22"
Q1	18"	17"	20" or 21"	23" or 24"
R1	18"	19"	22" or 23"	25" or 26"
S1	18"	21"	24" or 25"	27" or 28"
SB4	19"	13"	16" or 17"	19" or 20"
SB4	19"	15"	18" or 19"	21" or 22"

12" - 20" W Sport Back Cushions (Refer to All of the notes)				
Ref	Actual Back/Cushion Size		For use on units w/ overall back Heights of:	
	Width	Height	Static/Tilt Backs <sup>1</sup>	Recline Backs <sup>2</sup>
SB4	19"	17"	20" or 21"	23" or 24"
W1	19"	19"	22" or 23"	25" or 26"
X1	19"	21"	24" or 25"	27" or 28"
Y1	20"	13"	16" or 17"	19" or 20"
Z1	20"	15"	18" or 19"	21" or 22"
SB4	20"	17"	20" or 21"	23" or 24"
BB1	20"	19"	22" or 23"	25" or 26"
CC1	20"	21"	24" or 25"	27" or 28"

1. The sizes represent a cushion to pan gap of 3" for even sized overall back heights and 4" for odd sized overall back heights.
2. The sizes represent a cushion to pan gap of 6" for odd sized overall back heights and 7" for even sized overall back heights.

SB4 = Refer to Sport Back 4 Cushions.



# Sport Back Cushions - 12"-20"W, TB3



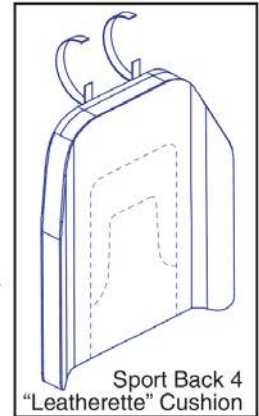
Item	Part No.	Name	Qty
A1		CUSHION PAD,ASSY,12"W,11"H,SPORT BACK,TRU-BALANCE 3	1
B1	CUS130539	CUSHION PAD,ASSY,12"W,13"H,SPORT BACK,TRU-BALANCE 3	1
C1	CUS125349	CUSHION PAD,ASSY,14"W,11"H,SPORT BACK,TRU-BALANCE 3	1
D1	CUS130540	CUSHION PAD,ASSY,14"W,13"H,SPORT BACK,TRU-BALANCE 3	1
E1	CUS130541	CUSHION PAD,ASSY,16"W,13"H,SPORT BACK,TRU-BALANCE 3	1
F1	CUS130553	CUSHION PAD,ASSY,16"W,15"H,SPORT BACK,TRU-BALANCE 3	1
G1	CUS125376	CUSHION PAD,ASSY,16"W,17"H,SPORT BACK,TRU-BALANCE 3	1
H1	CUS130576	CUSHION PAD,ASSY,16"W,19"H,SPORT BACK,TRU-BALANCE 3	1
I1	CUS130588	CUSHION PAD,ASSY,16"W,21"H,SPORT BACK,TRU-BALANCE 3	1
J1		CUSHION PAD,ASSY,17"W,13"H,SPORT BACK,TRU-BALANCE 3	1
K1	CUS130554	CUSHION PAD,ASSY,17"W,15"H,SPORT BACK,TRU-BALANCE 3	1
L1		CUSHION PAD,ASSY,17"W,17"H,SPORT BACK,TRU-BALANCE 3	1
M1	CUS130577	CUSHION PAD,ASSY,17"W,19"H,SPORT BACK,TRU-BALANCE 3	1
N1	CUS130589	CUSHION PAD,ASSY,17"W,21"H,SPORT BACK,TRU-BALANCE 3	1
O1	CUS130543	CUSHION PAD,ASSY,18"W,13"H,SPORT BACK,TRU-BALANCE 3	1
P1		CUSHION PAD,ASSY,18"W,15"H,SPORT BACK,TRU-BALANCE 3	1
Q1	CUS130566	CUSHION PAD,ASSY,18"W,17"H,SPORT BACK,TRU-BALANCE 3	1
R1	CUS130578	CUSHION PAD,ASSY,18"W,19"H,SPORT BACK,TRU-BALANCE 3	1
S1	CUS130590	CUSHION PAD,ASSY,18"W,21"H,SPORT BACK,TRU-BALANCE 3	1
T1		CUSHION PAD,ASSY,19"W,13"H,SPORT BACK,TRU-BALANCE 3	1
U1		CUSHION PAD,ASSY,19"W,15"H,SPORT BACK,TRU-BALANCE 3	1
V1		CUSHION PAD,ASSY,19"W,17"H,SPORT BACK,TRU-BALANCE 3	1
W1	CUS130579	CUSHION PAD,ASSY,19"W,19"H,SPORT BACK,TRU-BALANCE 3	1
X1	CUS130591	CUSHION PAD,ASSY,19"W,21"H,SPORT BACK,TRU-BALANCE 3	1
Y1	CUS130545	CUSHION PAD,ASSY,20"W,13"H,SPORT BACK,TRU-BALANCE 3	1
Z1		CUSHION PAD,ASSY,20"W,15"H,SPORT BACK,TRU-BALANCE 3	1
AA1		CUSHION PAD,ASSY,20"W,17"H,SPORT BACK,TRU-BALANCE 3	1
BB1		CUSHION PAD,ASSY,20"W,19"H,SPORT BACK,TRU-BALANCE 3	1
CC1	CUS130592	CUSHION PAD,ASSY,20"W,21"H,SPORT BACK,TRU-BALANCE 3	1
DD1	MEC1907389	BACK CUSHION SECUREMENT BRACKET,REDESIGNED BACK,PAIR	1

5.2. Back Cushion - Sport & TRU-Comfort 2

The Sport Back Cushions have been discontinued and replaced by the Sport Back 4 Cushions.

- As of March 18th, 2020, only sizes listed with a callout are available for replacement. Limited quantities are on hand. Contact technical service for availability.
- If the desired size is not listed as available and the Ref # is listed as SB4, please refer to the Sport Back 4 Cushions pages for a replacement cushion.
- Please note that the replacement cushion will be slightly larger than the existing and it will contain securement straps. The straps can be tucked in between the cushion and the back pan.
- Cushion securement brackets can be procured and affixed to the center back pan.

Please see below.

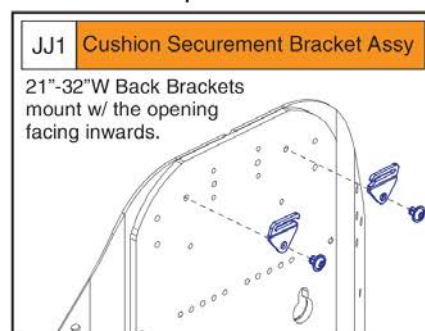


21" - 32" W Sport Back Cushions (Refer to All of the notes)				
Ref	Actual Back/ Cushion Size		For use on units w/ overall back Heights of:	
	Width	Height	Static/Tilt Backs <sup>1</sup>	Recline Backs <sup>2</sup>
SB4	21"	13"	16" or 17"	19" or 20"
SB4	21"	15"	18" or 19"	21" or 22"
SB4	21"	17"	20" or 21"	23" or 24"
D1	21"	19"	22" or 23"	25" or 26"
E1	21"	21"	24" or 25"	27" or 28"
F1	22"	13"	16" or 17"	19" or 20"
SB4	22"	15"	18" or 19"	21" or 22"
H1	22"	17"	20" or 21"	23" or 24"
SB4	22"	19"	22" or 23"	25" or 26"
J1	22"	21"	24" or 25"	27" or 28"
K1	24"	13"	16" or 17"	19" or 20"
SB4	24"	15"	18" or 19"	21" or 22"
M1	24"	17"	20" or 21"	23" or 24"
N1	24"	19"	22" or 23"	25" or 26"
O1	24"	21"	24" or 25"	27" or 28"
SB4	26"	13"	16" or 17"	19" or 20"
SB4	26"	15"	18" or 19"	21" or 22"
R1	26"	17"	20" or 21"	23" or 24"
S1	26"	19"	22" or 23"	25" or 26"
T1	26"	21"	24" or 25"	27" or 28"
SB4	28"	13"	16" or 17"	19" or 20"
SB4	28"	15"	18" or 19"	21" or 22"
SB4	28"	17"	20" or 21"	23" or 24"
SB4	28"	19"	22" or 23"	25" or 26"

21" - 32" W Sport Back Cushions (Refer to All of the notes)				
Ref	Actual Back/ Cushion Size		For use on units w/ overall back Heights of:	
	Width	Height	Static/Tilt Backs <sup>1</sup>	Recline Backs <sup>2</sup>
SB4	28"	21"	24" or 25"	27" or 28"
SB4	30"	13"	16" or 17"	19" or 20"
SB4	30"	15"	18" or 19"	21" or 22"
BB1	30"	17"	20" or 21"	23" or 24"
CC1	30"	19"	22" or 23"	25" or 26"
DD1	30"	21"	24" or 25"	27" or 28"
EE1	32"	13"	16" or 17"	19" or 20"
SB4	32"	15"	18" or 19"	21" or 22"
GG1	32"	17"	20" or 21"	23" or 24"
HH1	32"	19"	22" or 23"	25" or 26"
SB4	32"	21"	24" or 25"	27" or 28"

1. The sizes represent a cushion to pan gap of 3" for even sized overall back heights and 4" for odd sized overall back heights.
2. The sizes represent a cushion to pan gap of 6" for odd sized overall back heights and 7" for even sized overall back heights.

SB4 = Refer to Sport Back 4 Cushions



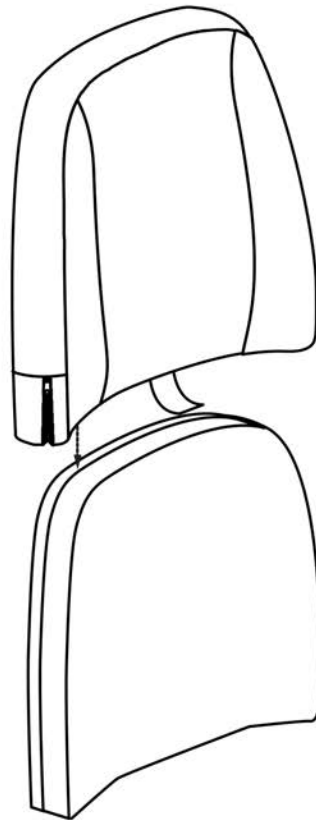
# Sport Back Cushions - 21"-32"W, TB3



Item	Part No.	Name	Qty
A1		CUSHION PAD,ASSY,21"W,13"H,SPORT BACK,TRU-BALANCE 3	1
B1		CUSHION PAD,ASSY,21"W,15"H,SPORT BACK,TRU-BALANCE 3	1
C1		CUSHION PAD,ASSY,21"W,17"H,SPORT BACK,TRU-BALANCE 3	1
D1	CUS130581	CUSHION PAD,ASSY,21"W,19"H,SPORT BACK,TRU-BALANCE 3	1
E1	CUS130593	CUSHION PAD,ASSY,21"W,21"H,SPORT BACK,TRU-BALANCE 3	1
F1	CUS130547	CUSHION PAD,ASSY,22"W,13"H,SPORT BACK,TRU-BALANCE 3	1
G1		CUSHION PAD,ASSY,22"W,15"H,SPORT BACK,TRU-BALANCE 3	1
H1	CUS130570	CUSHION PAD,ASSY,22"W,17"H,SPORT BACK,TRU-BALANCE 3	1
I1		CUSHION PAD,ASSY,22"W,19"H,SPORT BACK,TRU-BALANCE 3	1
J1	CUS130594	CUSHION PAD,ASSY,22"W,21"H,SPORT BACK,TRU-BALANCE 3	1
K1	CUS130548	CUSHION PAD,ASSY,24"W,13"H,SPORT BACK,TRU-BALANCE 3	1
L1		CUSHION PAD,ASSY,24"W,15"H,SPORT BACK,TRU-BALANCE 3	1
M1	CUS130571	CUSHION PAD,ASSY,24"W,17"H,SPORT BACK,TRU-BALANCE 3	1
N1	CUS130583	CUSHION PAD,ASSY,24"W,19"H,SPORT BACK,TRU-BALANCE 3	1
O1	CUS125383	CUSHION PAD,ASSY,24"W,21"H,SPORT BACK,TRU-BALANCE 3	1
P1		CUSHION PAD,ASSY,26"W,13"H,SPORT BACK,TRU-BALANCE 3	1
Q1		CUSHION PAD,ASSY,26"W,15"H,SPORT BACK,TRU-BALANCE 3	1
R1	CUS130572	CUSHION PAD,ASSY,26"W,17"H,SPORT BACK,TRU-BALANCE 3	1
S1	CUS130584	CUSHION PAD,ASSY,26"W,19"H,SPORT BACK,TRU-BALANCE 3	1
T1	CUS130596	CUSHION PAD,ASSY,26"W,21"H,SPORT BACK,TRU-BALANCE 3	1
U1		CUSHION PAD,ASSY,28"W,13"H,SPORT BACK,TRU-BALANCE 3	1
V1		CUSHION PAD,ASSY,28"W,15"H,SPORT BACK,TRU-BALANCE 3	1
W1		CUSHION PAD,ASSY,28"W,17"H,SPORT BACK,TRU-BALANCE 3	1
X1		CUSHION PAD,ASSY,28"W,19"H,SPORT BACK,TRU-BALANCE 3	1
Y1		CUSHION PAD,ASSY,28"W,21"H,SPORT BACK,TRU-BALANCE 3	1
Z1		CUSHION PAD,ASSY,30"W,13"H,SPORT BACK,TRU-BALANCE 3	1
AA1		CUSHION PAD,ASSY,30"W,15"H,SPORT BACK,TRU-BALANCE 3	1
BB1	CUS130574	CUSHION PAD,ASSY,30"W,17"H,SPORT BACK,TRU-BALANCE 3	1
CC1	CUS130586	CUSHION PAD,ASSY,30"W,19"H,SPORT BACK,TRU-BALANCE 3	1
DD1	CUS130598	CUSHION PAD,ASSY,30"W,21"H,SPORT BACK,TRU-BALANCE 3	1
EE1		CUSHION PAD,ASSY,32"W,13"H,SPORT BACK,TRU-BALANCE 3	1
FF1		CUSHION PAD,ASSY,32"W,15"H,SPORT BACK,TRU-BALANCE 3	1
GG1		CUSHION PAD,ASSY,32"W,17"H,SPORT BACK,TRU-BALANCE 3	1
HH1	CUS130587	CUSHION PAD,ASSY,32"W,19"H,SPORT BACK,TRU-BALANCE 3	1
II1		CUSHION PAD,ASSY,32"W,21"H,SPORT BACK,TRU-BALANCE 3	2
JJ1	MEC1907389	BACK CUSHION SECUREMENT BRACKET,REDESIGNED BACK,PAIR	1

5.2. Back Cushion - Sport & TRU-Comfort 2

The Tru-Comfort 2 Mesh Back Cushions have been discontinued and are no longer available for replacement.



Please Contact Technical Service for replacement options.

This page intentionally left blank

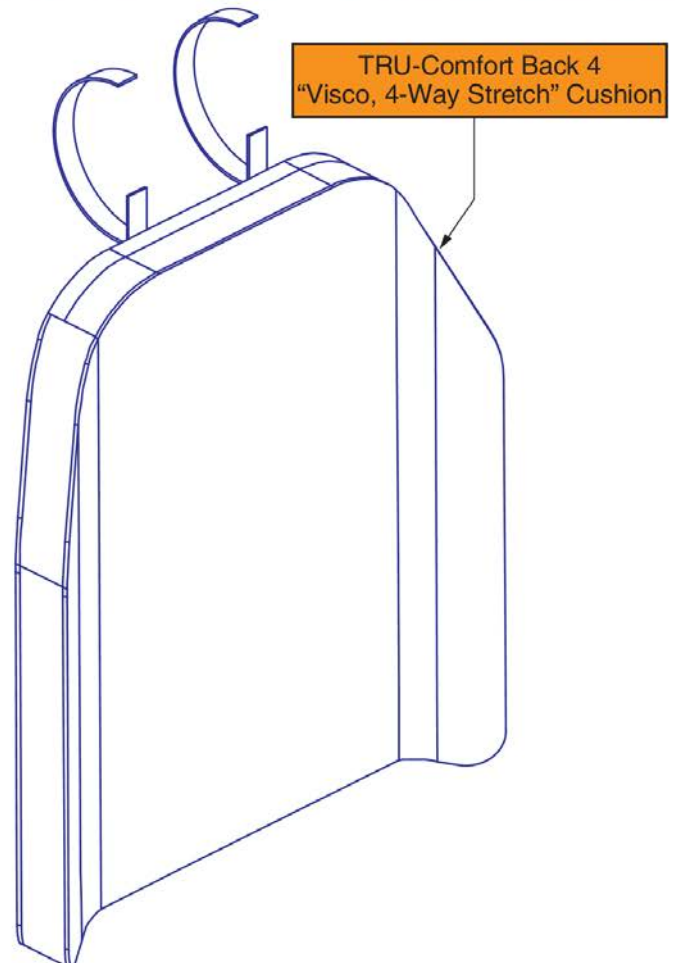
5.2.1. TRU-Comfort 4 Back Cushions

14" - 18" W TRU-Comfort Back 4 Cushions				
Ref	Actual Back/ Cushion Size		For use on units with overall back Heights of:	
	Width	Height	Static/Tilt Backs <sup>1</sup>	Recline Backs <sup>2</sup>
A1	14"	13"	16" or 17"	19" or 20"
B1	14"	15"	18" or 19"	21" or 22"
C1	14"	17"	20" or 21"	23" or 24"
D1	14"	19"	22" or 23"	25" or 26"
E1	14"	21"	24" or 25"	27" or 28"
F1	14"	23"	26" or 27"	29" or 30"
G1	14"	25"	28" or 29"	31" or 32"
H1	15"	13"	16" or 17"	19" or 20"
I1	15"	15"	18" or 19"	21" or 22"
J1	15"	17"	20" or 21"	23" or 24"
K1	15"	19"	22" or 23"	25" or 26"
L1	15"	21"	24" or 25"	27" or 28"
M1	15"	23"	26" or 27"	29" or 30"
N1	15"	25"	28" or 29"	31" or 32"
O1	16"	13"	16" or 17"	19" or 20"
P1	16"	15"	18" or 19"	21" or 22"
Q1	16"	17"	20" or 21"	23" or 24"
R1	16"	19"	22" or 23"	25" or 26"
S1	16"	21"	24" or 25"	27" or 28"
T1	16"	23"	26" or 27"	29" or 30"
U1	16"	25"	28" or 29"	31" or 32"
V1	17"	13"	16" or 17"	19" or 20"
W1	17"	15"	18" or 19"	21" or 22"
X1	17"	17"	20" or 21"	23" or 24"
Y1	17"	19"	22" or 23"	25" or 26"
Z1	17"	21"	24" or 25"	27" or 28"
AA1	17"	23"	26" or 27"	29" or 30"
BB1	17"	25"	28" or 29"	31" or 32"
CC1	18"	13"	16" or 17"	19" or 20"
DD1	18"	15"	18" or 19"	21" or 22"

14" - 18" W TRU-Comfort Back 4 Cushions				
Ref	Actual Back/ Cushion Size		For use on units with overall back Heights of:	
	Width	Height	Static/Tilt Backs <sup>1</sup>	Recline Backs <sup>2</sup>
EE1	18"	17"	20" or 21"	23" or 24"
FF1	18"	19"	22" or 23"	25" or 26"
GG1	18"	21"	24" or 25"	27" or 28"
HH1	18"	23"	26" or 27"	29" or 30"
II1	18"	25"	28" or 29"	31" or 32"

These assemblies include the Complete TRU-Comfort Back 4 Cushion. The outer cover is available separately.

1. The sizes represent a cushion to pan gap of 3" for even sized overall back heights and 4" for odd sized overall back heights.
2. The sizes represent a cushion to pan gap of 6" for odd sized overall back heights and 7" for even sized overall back heights





**TRU-Comfort 4 Back Cushions, 14"-18"W**



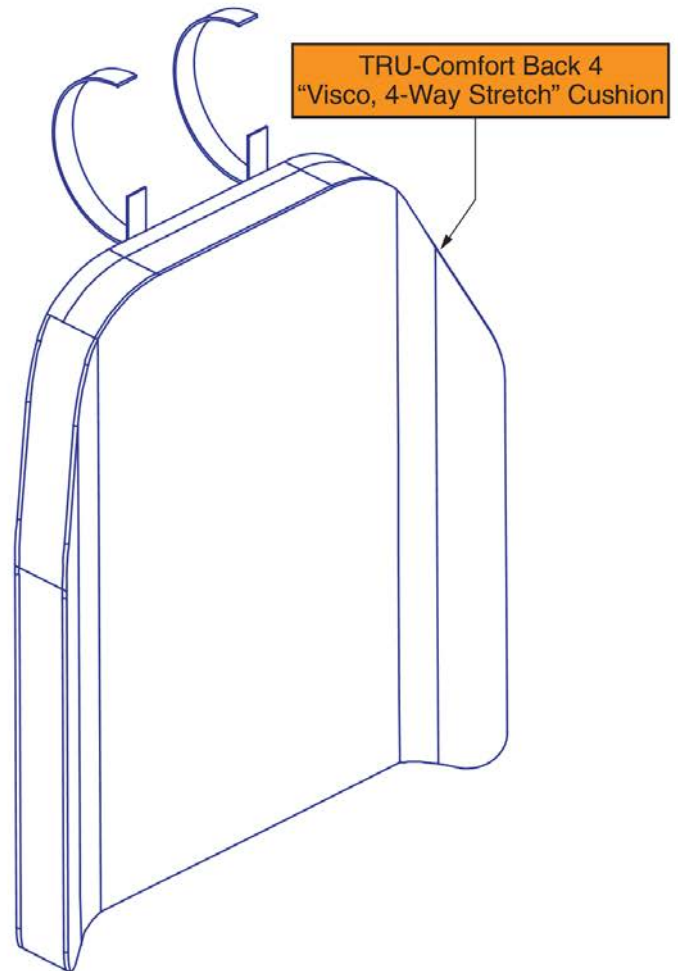
Item	Part No.	Name	Qty
A1	QU-TC4V-1413	QUANTUM,CUSHION,ASSY,BACK,VISCO,14"W,13"H, TRU-COMFORT 4, 4 WAY STRETCH	1
B1	QU-TC4V-1415	QUANTUM,CUSHION,ASSY,BACK,VISCO,14"W,15"H, TRU-COMFORT 4, 4 WAY STRETCH	1
C1	QU-TC4V-1417	QUANTUM,CUSHION,ASSY,BACK,VISCO,14"W,17"H, TRU-COMFORT 4, 4 WAY STRETCH	1
D1	QU-TC4V-1419	QUANTUM,CUSHION,ASSY,BACK,VISCO,14"W,19"H, TRU-COMFORT 4, 4 WAY STRETCH	1
E1	QU-TC4V-1421	QUANTUM,CUSHION,ASSY,BACK,VISCO,14"W,21"H, TRU-COMFORT 4, 4 WAY STRETCH	1
F1	QU-TC4V-1423	QUANTUM,CUSHION,ASSY,BACK,VISCO,14"W,23"H, TRU-COMFORT 4, 4 WAY STRETCH	1
G1	QU-TC4V-1425	QUANTUM,CUSHION,ASSY,BACK,VISCO,14"W,25"H, TRU-COMFORT 4, 4 WAY STRETCH	1
H1	QU-TC4V-1513	QUANTUM,CUSHION,ASSY,BACK,VISCO,15"W,13"H, TRU-COMFORT 4, 4 WAY STRETCH	1
I1	QU-TC4V-1515	QUANTUM,CUSHION,ASSY,BACK,VISCO,15"W,15"H, TRU-COMFORT 4, 4 WAY STRETCH	1
J1	QU-TC4V-1517	QUANTUM,CUSHION,ASSY,BACK,VISCO,15"W,17"H, TRU-COMFORT 4, 4 WAY STRETCH	1
K1	QU-TC4V-1519	QUANTUM,CUSHION,ASSY,BACK,VISCO,15"W,19"H, TRU-COMFORT 4, 4 WAY STRETCH	1
L1	QU-TC4V-1521	QUANTUM,CUSHION,ASSY,BACK,VISCO,15"W,21"H, TRU-COMFORT 4, 4 WAY STRETCH	1
M1	QU-TC4V-1523	QUANTUM,CUSHION,ASSY,BACK,VISCO,15"W,23"H, TRU-COMFORT 4, 4 WAY STRETCH	1
N1	QU-TC4V-1525	QUANTUM,CUSHION,ASSY,BACK,VISCO,15"W,25"H, TRU-COMFORT 4, 4 WAY STRETCH	1
O1	QU-TC4V-1613	QUANTUM,CUSHION,ASSY,BACK,VISCO,16"W,13"H, TRU-COMFORT 4, 4 WAY STRETCH	1
P1	QU-TC4V-1615	QUANTUM,CUSHION,ASSY,BACK,VISCO,16"W,15"H, TRU-COMFORT 4, 4 WAY STRETCH	1
Q1	QU-TC4V-1617	QUANTUM,CUSHION,ASSY,BACK,VISCO,16"W,17"H, TRU-COMFORT 4, 4 WAY STRETCH	1
R1	QU-TC4V-1619	QUANTUM,CUSHION,ASSY,BACK,VISCO,16"W,19"H, TRU-COMFORT 4, 4 WAY STRETCH	1
S1	QU-TC4V-1621	QUANTUM,CUSHION,ASSY,BACK,VISCO,16"W,21"H, TRU-COMFORT 4, 4 WAY STRETCH	1
T1	QU-TC4V-1623	QUANTUM,CUSHION,ASSY,BACK,VISCO,16"W,23"H, TRU-COMFORT 4, 4 WAY STRETCH	1
U1	QU-TC4V-1625	QUANTUM,CUSHION,ASSY,BACK,VISCO,16"W,25"H, TRU-COMFORT 4, 4 WAY STRETCH	1
V1	QU-TC4V-1713	QUANTUM,CUSHION,ASSY,BACK,VISCO,17"W,13"H, TRU-COMFORT 4, 4 WAY STRETCH	1
W1	QU-TC4V-1715	QUANTUM,CUSHION,ASSY,BACK,VISCO,17"W,15"H, TRU-COMFORT 4, 4 WAY STRETCH	1
X1	QU-TC4V-1717	QUANTUM,CUSHION,ASSY,BACK,VISCO,17"W,17"H, TRU-COMFORT 4, 4 WAY STRETCH	1
Y1	QU-TC4V-1719	QUANTUM,CUSHION,ASSY,BACK,VISCO,17"W,19"H, TRU-COMFORT 4, 4 WAY STRETCH	1
Z1	QU-TC4V-1721	QUANTUM,CUSHION,ASSY,BACK,VISCO,17"W,21"H, TRU-COMFORT 4, 4 WAY STRETCH	1
AA1	QU-TC4V-1723	QUANTUM,CUSHION,ASSY,BACK,VISCO,17"W,23"H, TRU-COMFORT 4, 4 WAY STRETCH	1
BB1	QU-TC4V-1725	QUANTUM,CUSHION,ASSY,BACK,VISCO,17"W,25"H, TRU-COMFORT 4, 4 WAY STRETCH	1
CC1	QU-TC4V-1813	QUANTUM,CUSHION,ASSY,BACK,VISCO,18"W,13"H, TRU-COMFORT 4, 4 WAY STRETCH	1
DD1	QU-TC4V-1815	QUANTUM,CUSHION,ASSY,BACK,VISCO,18"W,15"H, TRU-COMFORT 4, 4 WAY STRETCH	1
EE1	QU-TC4V-1817	QUANTUM,CUSHION,ASSY,BACK,VISCO,18"W,17"H, TRU-COMFORT 4, 4 WAY STRETCH	1
FF1	QU-TC4V-1819	QUANTUM,CUSHION,ASSY,BACK,VISCO,18"W,19"H, TRU-COMFORT 4, 4 WAY STRETCH	1
GG1	QU-TC4V-1821	QUANTUM,CUSHION,ASSY,BACK,VISCO,18"W,21"H, TRU-COMFORT 4, 4 WAY STRETCH	1
HH1	QU-TC4V-1823	QUANTUM,CUSHION,ASSY,BACK,VISCO,18"W,23"H, TRU-COMFORT 4, 4 WAY STRETCH	1
II1	QU-TC4V-1825	QUANTUM,CUSHION,ASSY,BACK,VISCO,18"W,25"H, TRU-COMFORT 4, 4 WAY STRETCH	1

5.2.1. TRU-Comfort 4 Back Cushions

19" - 22" W TRU-Comfort Back 4 Cushions				
Ref	Actual Back/ Cushion Size		For use on units with overall back Heights of:	
	Width	Height	Static/Tilt Backs <sup>1</sup>	Recline Backs <sup>2</sup>
A1	19"	13"	16" or 17"	19" or 20"
B1	19"	15"	18" or 19"	21" or 22"
C1	19"	17"	20" or 21"	23" or 24"
D1	19"	19"	22" or 23"	25" or 26"
E1	19"	21"	24" or 25"	27" or 28"
F1	19"	23"	26" or 27"	29" or 30"
G1	19"	25"	28" or 29"	31" or 32"
H1	20"	13"	16" or 17"	19" or 20"
I1	20"	15"	18" or 19"	21" or 22"
J1	20"	17"	20" or 21"	23" or 24"
K1	20"	19"	22" or 23"	25" or 26"
L1	20"	21"	24" or 25"	27" or 28"
M1	20"	23"	26" or 27"	29" or 30"
N1	20"	25"	28" or 29"	31" or 32"
O1	21"	13"	16" or 17"	19" or 20"
P1	21"	15"	18" or 19"	21" or 22"
Q1	21"	17"	20" or 21"	23" or 24"
R1	21"	19"	22" or 23"	25" or 26"
S1	21"	21"	24" or 25"	27" or 28"
T1	21"	23"	26" or 27"	29" or 30"
U1	21"	25"	28" or 29"	31" or 32"
V1	22"	13"	16" or 17"	19" or 20"
W1	22"	15"	18" or 19"	21" or 22"
X1	22"	17"	20" or 21"	23" or 24"
Y1	22"	19"	22" or 23"	25" or 26"
Z1	22"	21"	24" or 25"	27" or 28"
AA1	22"	23"	26" or 27"	29" or 30"
BB1	22"	25"	28" or 29"	31" or 32"

These assemblies include the Complete TRU-Comfort Back 4 Cushion. The outer cover is available separately.

1. The sizes represent a cushion to pan gap of 3" for even sized overall back heights and 4" for odd sized overall back heights.
2. The sizes represent a cushion to pan gap of 6" for odd sized overall back heights and 7" for even sized overall back heights



**TRU-Comfort 4 Back Cushions, 19"-22"W**



Item	Part No.	Name	Qty
A1	QU-TC4V-1913	QUANTUM,CUSHION,ASSY,BACK,VISCO,19"W,13"H, TRU-COMFORT 4, 4 WAY STRETCH	1
B1	QU-TC4V-1915	QUANTUM,CUSHION,ASSY,BACK,VISCO,19"W,15"H, TRU-COMFORT 4, 4 WAY STRETCH	1
C1	QU-TC4V-1917	QUANTUM,CUSHION,ASSY,BACK,VISCO,19"W,17"H, TRU-COMFORT 4, 4 WAY STRETCH	1
D1	QU-TC4V-1919	QUANTUM,CUSHION,ASSY,BACK,VISCO,19"W,19"H, TRU-COMFORT 4, 4 WAY STRETCH	1
E1	QU-TC4V-1921	QUANTUM,CUSHION,ASSY,BACK,VISCO,19"W,21"H, TRU-COMFORT 4, 4 WAY STRETCH	1
F1	QU-TC4V-1923	QUANTUM,CUSHION,ASSY,BACK,VISCO,19"W,23"H, TRU-COMFORT 4, 4 WAY STRETCH	1
G1	QU-TC4V-1925	QUANTUM,CUSHION,ASSY,BACK,VISCO,19"W,25"H, TRU-COMFORT 4, 4 WAY STRETCH	1
H1	QU-TC4V-2013	QUANTUM,CUSHION,ASSY,BACK,VISCO,20"W,13"H, TRU-COMFORT 4, 4 WAY STRETCH	1
I1	QU-TC4V-2015	QUANTUM,CUSHION,ASSY,BACK,VISCO,20"W,15"H, TRU-COMFORT 4, 4 WAY STRETCH	1
J1	QU-TC4V-2017	QUANTUM,CUSHION,ASSY,BACK,VISCO,20"W,17"H, TRU-COMFORT 4, 4 WAY STRETCH	1
K1	QU-TC4V-2019	QUANTUM,CUSHION,ASSY,BACK,VISCO,20"W,19"H, TRU-COMFORT 4, 4 WAY STRETCH	1
L1	QU-TC4V-2021	QUANTUM,CUSHION,ASSY,BACK,VISCO,20"W,21"H, TRU-COMFORT 4, 4 WAY STRETCH	1
M1	QU-TC4V-2023	QUANTUM,CUSHION,ASSY,BACK,VISCO,20"W,23"H, TRU-COMFORT 4, 4 WAY STRETCH	1
N1	QU-TC4V-2025	QUANTUM,CUSHION,ASSY,BACK,VISCO,20"W,25"H, TRU-COMFORT 4, 4 WAY STRETCH	1
O1	QU-TC4V-2113	QUANTUM,CUSHION,ASSY,BACK,VISCO,21"W,13"H, TRU-COMFORT 4, 4 WAY STRETCH	1
P1	QU-TC4V-2115	QUANTUM,CUSHION,ASSY,BACK,VISCO,21"W,15"H, TRU-COMFORT 4, 4 WAY STRETCH	1
Q1	QU-TC4V-2117	QUANTUM,CUSHION,ASSY,BACK,VISCO,21"W,17"H, TRU-COMFORT 4, 4 WAY STRETCH	1
R1	QU-TC4V-2119	QUANTUM,CUSHION,ASSY,BACK,VISCO,21"W,19"H, TRU-COMFORT 4, 4 WAY STRETCH	1
S1	QU-TC4V-2121	QUANTUM,CUSHION,ASSY,BACK,VISCO,21"W,21"H, TRU-COMFORT 4, 4 WAY STRETCH	1
T1	QU-TC4V-2123	QUANTUM,CUSHION,ASSY,BACK,VISCO,21"W,23"H, TRU-COMFORT 4, 4 WAY STRETCH	1
U1	QU-TC4V-2125	QUANTUM,CUSHION,ASSY,BACK,VISCO,21"W,25"H, TRU-COMFORT 4, 4 WAY STRETCH	1
V1	QU-TC4V-2213	QUANTUM,CUSHION,ASSY,BACK,VISCO,22"W,13"H, TRU-COMFORT 4, 4 WAY STRETCH	1
W1	QU-TC4V-2215	QUANTUM,CUSHION,ASSY,BACK,VISCO,22"W,15"H, TRU-COMFORT 4, 4 WAY STRETCH	1
X1	QU-TC4V-2217	QUANTUM,CUSHION,ASSY,BACK,VISCO,22"W,17"H, TRU-COMFORT 4, 4 WAY STRETCH	1
Y1	QU-TC4V-2219	QUANTUM,CUSHION,ASSY,BACK,VISCO,22"W,19"H, TRU-COMFORT 4, 4 WAY STRETCH	1
Z1	QU-TC4V-2221	QUANTUM,CUSHION,ASSY,BACK,VISCO,22"W,21"H, TRU-COMFORT 4, 4 WAY STRETCH	1
AA1	QU-TC4V-2223	QUANTUM,CUSHION,ASSY,BACK,VISCO,22"W,23"H, TRU-COMFORT 4, 4 WAY STRETCH	1
BB1	QU-TC4V-2225	QUANTUM,CUSHION,ASSY,BACK,VISCO,22"W,25"H, TRU-COMFORT 4, 4 WAY STRETCH	1

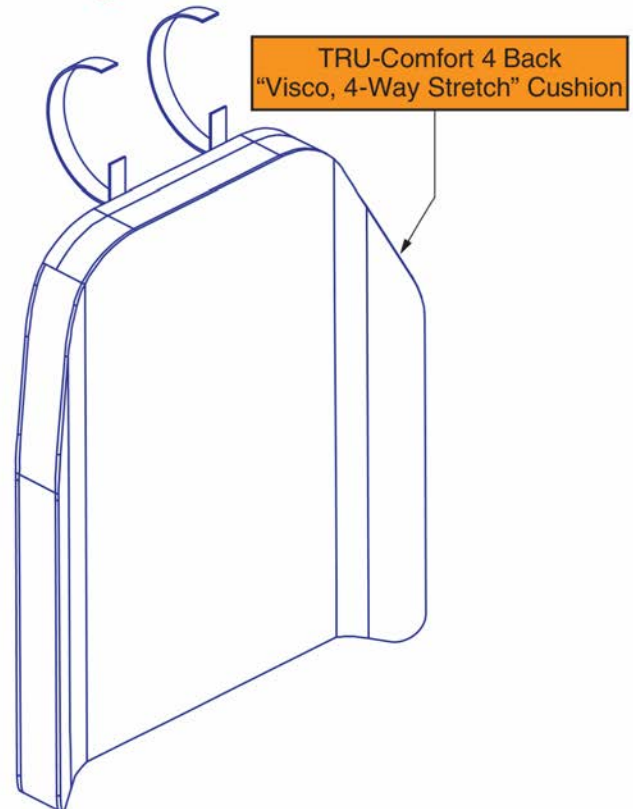
5.2.1. TRU-Comfort 4 Back Cushions

24" - 28" W TRU-Comfort 4 Back Cushions				
Actual Back/ Cushion Size			For use on units with overall back Heights of:	
Ref	Width	Height	Static/Tilt Backs <sup>1</sup>	Recline Backs <sup>2</sup>
A1	24"	13"	16" or 17"	19" or 20"
B1	24"	15"	18" or 19"	21" or 22"
C1	24"	17"	20" or 21"	23" or 24"
D1	24"	19"	22" or 23"	25" or 26"
E1	24"	21"	24" or 25"	27" or 28"
F1	24"	23"	26" or 27"	29" or 30"
G1	24"	25"	28" or 29"	31" or 32"
H1	26"	13"	16" or 17"	19" or 20"
I1	26"	15"	18" or 19"	21" or 22"
J1	26"	17"	20" or 21"	23" or 24"
K1	26"	19"	22" or 23"	25" or 26"
L1	26"	21"	24" or 25"	27" or 28"
M1	26"	23"	26" or 27"	29" or 30"
N1	26"	25"	28" or 29"	31" or 32"
O1	28"	13"	16" or 17"	19" or 20"
P1	28"	15"	18" or 19"	21" or 22"
Q1	28"	17"	20" or 21"	23" or 24"
R1	28"	19"	22" or 23"	25" or 26"
S1	28"	21"	24" or 25"	27" or 28"
T1	28"	23"	26" or 27"	29" or 30"
U1	28"	25"	28" or 29"	31" or 32"

These assemblies include the Complete TRU-Comfort 4 Back Cushion. The outer cover is available separately.

- The Cushion sizes listed may have a prolonged lead time when attempting to procure a replacement for an unavailable TRU-Comfort 2 Cushion.
- Contact technical service for availability and lead times.

1. The sizes represent a cushion to pan gap of 3" for even sized overall back heights and 4" for odd sized overall back heights.
2. The sizes represent a cushion to pan gap of 6" for odd sized overall back heights and 7" for even sized overall back heights.



**TRU-Comfort 4 Back Cushions, 24"-28"W**



Item	Part No.	Name	Qty
A1	QU-TC4V-2413	QUANTUM,CUSHION,ASSY,BACK,VISCO,24"W,13"H, TRU-COMFORT 4, 4 WAY STRETCH	1
B1	QU-TC4V-2415	QUANTUM,CUSHION,ASSY,BACK,VISCO,24"W,15"H, TRU-COMFORT 4, 4 WAY STRETCH	1
C1	QU-TC4V-2417	QUANTUM,CUSHION,ASSY,BACK,VISCO,24"W,17"H, TRU-COMFORT 4, 4 WAY STRETCH	1
D1	QU-TC4V-2419	QUANTUM,CUSHION,ASSY,BACK,VISCO,24"W,19"H, TRU-COMFORT 4, 4 WAY STRETCH	1
E1	QU-TC4V-2421	QUANTUM,CUSHION,ASSY,BACK,VISCO,24"W,21"H, TRU-COMFORT 4, 4 WAY STRETCH	1
F1	QU-TC4V-2423	QUANTUM,CUSHION,ASSY,BACK,VISCO,24"W,23"H, TRU-COMFORT 4, 4 WAY STRETCH	1
G1	QU-TC4V-2425	QUANTUM,CUSHION,ASSY,BACK,VISCO,24"W,25"H, TRU-COMFORT 4, 4 WAY STRETCH	1
H1	QU-TC4V-2613	QUANTUM,CUSHION,ASSY,BACK,VISCO,26"W,13"H, TRU-COMFORT 4, 4 WAY STRETCH	1
I1	QU-TC4V-2615	QUANTUM,CUSHION,ASSY,BACK,VISCO,26"W,15"H, TRU-COMFORT 4, 4 WAY STRETCH	1
J1	QU-TC4V-2617	QUANTUM,CUSHION,ASSY,BACK,VISCO,26"W,17"H, TRU-COMFORT 4, 4 WAY STRETCH	1
K1	QU-TC4V-2619	QUANTUM,CUSHION,ASSY,BACK,VISCO,26"W,19"H, TRU-COMFORT 4, 4 WAY STRETCH	1
L1	QU-TC4V-2621	QUANTUM,CUSHION,ASSY,BACK,VISCO,26"W,21"H, TRU-COMFORT 4, 4 WAY STRETCH	1
M1	QU-TC4V-2623	QUANTUM,CUSHION,ASSY,BACK,VISCO,26"W,23"H, TRU-COMFORT 4, 4 WAY STRETCH	1
N1	QU-TC4V-2625	QUANTUM,CUSHION,ASSY,BACK,VISCO,26"W,25"H, TRU-COMFORT 4, 4 WAY STRETCH	1
O1	QU-TC4V-2813	QUANTUM,CUSHION,ASSY,BACK,VISCO,28"W,13"H, TRU-COMFORT 4, 4 WAY STRETCH	1
P1	QU-TC4V-2815	QUANTUM,CUSHION,ASSY,BACK,VISCO,28"W,15"H, TRU-COMFORT 4, 4 WAY STRETCH	1
Q1	QU-TC4V-2817	QUANTUM,CUSHION,ASSY,BACK,VISCO,28"W,17"H, TRU-COMFORT 4, 4 WAY STRETCH	1
R1	QU-TC4V-2819	QUANTUM,CUSHION,ASSY,BACK,VISCO,28"W,19"H, TRU-COMFORT 4, 4 WAY STRETCH	1
S1	QU-TC4V-2821	QUANTUM,CUSHION,ASSY,BACK,VISCO,28"W,21"H, TRU-COMFORT 4, 4 WAY STRETCH	1
T1	QU-TC4V-2823	QUANTUM,CUSHION,ASSY,BACK,VISCO,28"W,23"H, TRU-COMFORT 4, 4 WAY STRETCH	1
U1	QU-TC4V-2825	QUANTUM,CUSHION,ASSY,BACK,VISCO,28"W,25"H, TRU-COMFORT 4, 4 WAY STRETCH	1

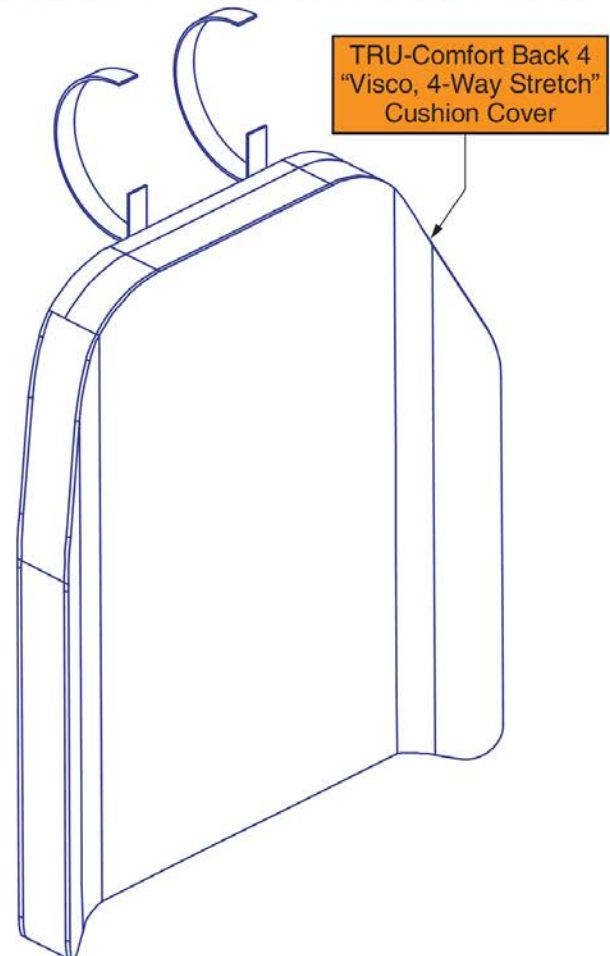
5.2.1. TRU-Comfort 4 Back Cushions

14" - 18" W TRU-Comfort Back 4 Cushion Covers				
Ref	Actual Back/ Cushion Size		For use on units with overall back Heights of:	
	Width	Height	Static/Tilt Backs <sup>1</sup>	Recline Backs <sup>2</sup>
A1	14"	13"	16" or 17"	19" or 20"
B1	14"	15"	18" or 19"	21" or 22"
C1	14"	17"	20" or 21"	23" or 24"
D1	14"	19"	22" or 23"	25" or 26"
E1	14"	21"	24" or 25"	27" or 28"
F1	14"	23"	26" or 27"	29" or 30"
G1	14"	25"	28" or 29"	31" or 32"
H1	15"	13"	16" or 17"	19" or 20"
I1	15"	15"	18" or 19"	21" or 22"
J1	15"	17"	20" or 21"	23" or 24"
K1	15"	19"	22" or 23"	25" or 26"
L1	15"	21"	24" or 25"	27" or 28"
M1	15"	23"	26" or 27"	29" or 30"
N1	15"	25"	28" or 29"	31" or 32"
O1	16"	13"	16" or 17"	19" or 20"
P1	16"	15"	18" or 19"	21" or 22"
Q1	16"	17"	20" or 21"	23" or 24"
R1	16"	19"	22" or 23"	25" or 26"
S1	16"	21"	24" or 25"	27" or 28"
T1	16"	23"	26" or 27"	29" or 30"
U1	16"	25"	28" or 29"	31" or 32"
V1	17"	13"	16" or 17"	19" or 20"
W1	17"	15"	18" or 19"	21" or 22"
X1	17"	17"	20" or 21"	23" or 24"
Y1	17"	19"	22" or 23"	25" or 26"
Z1	17"	21"	24" or 25"	27" or 28"
AA1	17"	23"	26" or 27"	29" or 30"
BB1	17"	25"	28" or 29"	31" or 32"
CC1	18"	13"	16" or 17"	19" or 20"
DD1	18"	15"	18" or 19"	21" or 22"

14" - 18" W TRU-Comfort Back 4 Cushion Covers				
Ref	Actual Back/ Cushion Size		For use on units with overall back Heights of:	
	Width	Height	Static/Tilt Backs <sup>1</sup>	Recline Backs <sup>2</sup>
EE1	18"	17"	20" or 21"	23" or 24"
FF1	18"	19"	22" or 23"	25" or 26"
GG1	18"	21"	24" or 25"	27" or 28"
HH1	18"	23"	26" or 27"	29" or 30"
II1	18"	25"	28" or 29"	31" or 32"

These assemblies include the Complete TRU-Comfort Back 4 Cushion Outer Cover. All other components are only available with the complete cushion assy.

1. The sizes represent a cushion to pan gap of 3" for even sized overall back heights and 4" for odd sized overall back heights.
2. The sizes represent a cushion to pan gap of 6" for odd sized overall back heights and 7" for even sized overall back heights



TRU-Comfort 4 Back Cushion Covers, 14"-18"W



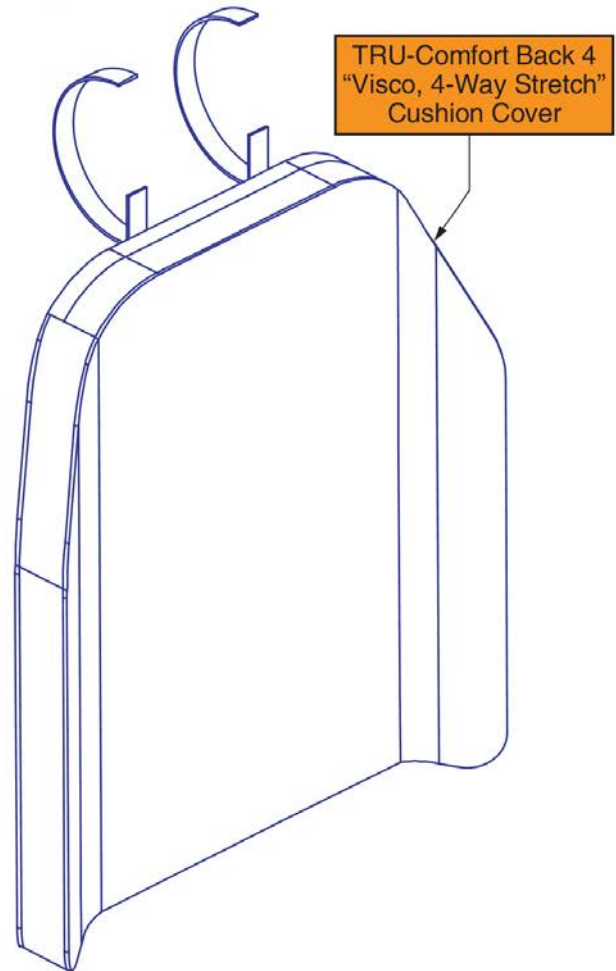
Item	Part No.	Name	Qty
A1	TC4-NBLK1413	CUSHION COVER,ASSY,TC4,4 WAY STRETCH,14"W, 13"D	1
B1	TC4-NBLK1415	CUSHION COVER,ASSY,TC4,4 WAY STRETCH,14"W, 15"D	1
C1	TC4-NBLK1417	CUSHION COVER,ASSY,TC4,4 WAY STRETCH,14"W, 17"D	1
D1	TC4-NBLK1419	CUSHION COVER,ASSY,TC4,4 WAY STRETCH,14"W, 19"D	1
E1	TC4-NBLK1421	CUSHION COVER,ASSY,TC4,4 WAY STRETCH,14"W, 21"D	1
F1	TC4-NBLK1423	CUSHION COVER,ASSY,TC4,4 WAY STRETCH,14"W, 23"D	1
G1	TC4-NBLK1425	CUSHION COVER,ASSY,TC4,4 WAY STRETCH,14"W, 25"D	1
H1	TC4-NBLK1513	CUSHION COVER,ASSY,TC4,4 WAY STRETCH,15"W, 13"D	1
I1	TC4-NBLK1515	CUSHION COVER,ASSY,TC4,4 WAY STRETCH,15"W, 15"D	1
J1	TC4-NBLK1517	CUSHION COVER,ASSY,TC4,4 WAY STRETCH,15"W, 17"D	1
K1	TC4-NBLK1519	CUSHION COVER,ASSY,TC4,4 WAY STRETCH,15"W, 19"D	1
L1	TC4-NBLK1521	CUSHION COVER,ASSY,TC4,4 WAY STRETCH,15"W, 21"D	1
M1	TC4-NBLK1523	CUSHION COVER,ASSY,TC4,4 WAY STRETCH,15"W, 23"D	1
N1	TC4-NBLK1525	CUSHION COVER,ASSY,TC4,4 WAY STRETCH,15"W, 25"D	1
O1	TC4-NBLK1613	CUSHION COVER,ASSY,TC4,4 WAY STRETCH,16"W, 13"D	1
P1	TC4-NBLK1615	CUSHION COVER,ASSY,TC4,4 WAY STRETCH,16"W, 15"D	1
Q1	TC4-NBLK1617	CUSHION COVER,ASSY,TC4,4 WAY STRETCH,16"W, 17"D	1
R1	TC4-NBLK1619	CUSHION COVER,ASSY,TC4,4 WAY STRETCH,16"W, 19"D	1
S1	TC4-NBLK1621	CUSHION COVER,ASSY,TC4,4 WAY STRETCH,16"W, 21"D	1
T1	TC4-NBLK1623	CUSHION COVER,ASSY,TC4,4 WAY STRETCH,16"W, 23"D	1
U1	TC4-NBLK1625	CUSHION COVER,ASSY,TC4,4 WAY STRETCH,16"W, 25"D	1
V1	TC4-NBLK1713	CUSHION COVER,ASSY,TC4,4 WAY STRETCH,17"W, 13"D	1
W1	TC4-NBLK1715	CUSHION COVER,ASSY,TC4,4 WAY STRETCH,17"W, 15"D	1
X1	TC4-NBLK1717	CUSHION COVER,ASSY,TC4,4 WAY STRETCH,17"W, 17"D	1
Y1	TC4-NBLK1719	CUSHION COVER,ASSY,TC4,4 WAY STRETCH,17"W, 19"D	1
Z1	TC4-NBLK1721	CUSHION COVER,ASSY,TC4,4 WAY STRETCH,17"W, 21"D	1
AA1	TC4-NBLK1723	CUSHION COVER,ASSY,TC4,4 WAY STRETCH,17"W, 23"D	1
BB1	TC4-NBLK1725	CUSHION COVER,ASSY,TC4,4 WAY STRETCH,17"W, 25"D	1
CC1	TC4-NBLK1813	CUSHION COVER,ASSY,TC4,4 WAY STRETCH,18"W, 13"D	1
DD1	TC4-NBLK1815	CUSHION COVER,ASSY,TC4,4 WAY STRETCH,18"W, 15"D	1
EE1	TC4-NBLK1817	CUSHION COVER,ASSY,TC4,4 WAY STRETCH,18"W, 17"D	1
FF1	TC4-NBLK1819	CUSHION COVER,ASSY,TC4,4 WAY STRETCH,18"W, 19"D	1
GG1	TC4-NBLK1821	CUSHION COVER,ASSY,TC4,4 WAY STRETCH,18"W, 21"D	1
HH1	TC4-NBLK1823	CUSHION COVER,ASSY,TC4,4 WAY STRETCH,18"W, 23"D	1
II1	TC4-NBLK1825	CUSHION COVER,ASSY,TC4,4 WAY STRETCH,18"W, 25"D	1

5.2.1. TRU-Comfort 4 Back Cushions

19" - 22" W TRU-Comfort Back 4 Cushion Covers				
Ref	Actual Back/Cushion Size		For use on units with overall back Heights of:	
	Width	Height	Static/Tilt Backs <sup>1</sup>	Recline Backs <sup>2</sup>
A1	19"	13"	16" or 17"	19" or 20"
B1	19"	15"	18" or 19"	21" or 22"
C1	19"	17"	20" or 21"	23" or 24"
D1	19"	19"	22" or 23"	25" or 26"
E1	19"	21"	24" or 25"	27" or 28"
F1	19"	23"	26" or 27"	29" or 30"
G1	19"	25"	28" or 29"	31" or 32"
H1	20"	13"	16" or 17"	19" or 20"
I1	20"	15"	18" or 19"	21" or 22"
J1	20"	17"	20" or 21"	23" or 24"
K1	20"	19"	22" or 23"	25" or 26"
L1	20"	21"	24" or 25"	27" or 28"
M1	20"	23"	26" or 27"	29" or 30"
N1	20"	25"	28" or 29"	31" or 32"
O1	21"	13"	16" or 17"	19" or 20"
P1	21"	15"	18" or 19"	21" or 22"
Q1	21"	17"	20" or 21"	23" or 24"
R1	21"	19"	22" or 23"	25" or 26"
S1	21"	21"	24" or 25"	27" or 28"
T1	21"	23"	26" or 27"	29" or 30"
U1	21"	25"	28" or 29"	31" or 32"
V1	22"	13"	16" or 17"	19" or 20"
W1	22"	15"	18" or 19"	21" or 22"
X1	22"	17"	20" or 21"	23" or 24"
Y1	22"	19"	22" or 23"	25" or 26"
Z1	22"	21"	24" or 25"	27" or 28"
AA1	22"	23"	26" or 27"	29" or 30"
BB1	22"	25"	28" or 29"	31" or 32"

These assemblies include the Complete TRU-Comfort Back 4 Cushion Outer Cover. All other components are only available with the complete cushion assy.

1. The sizes represent a cushion to pan gap of 3" for even sized overall back heights and 4" for odd sized overall back heights.
2. The sizes represent a cushion to pan gap of 6" for odd sized overall back heights and 7" for even sized overall back heights





**TRU-Comfort 4 Back Cushion Covers, 19"-22"W**



Item	Part No.	Name	Qty
A1	TC4-NBLK1913	CUSHION COVER,ASSY,TC4,4 WAY STRETCH,19"W, 13"D	1
B1	TC4-NBLK1915	CUSHION COVER,ASSY,TC4,4 WAY STRETCH,19"W, 15"D	1
C1	TC4-NBLK1917	CUSHION COVER,ASSY,TC4,4 WAY STRETCH,19"W, 17"D	1
D1	TC4-NBLK1919	CUSHION COVER,ASSY,TC4,4 WAY STRETCH,19"W, 19"D	1
E1	TC4-NBLK1921	CUSHION COVER,ASSY,TC4,4 WAY STRETCH,19"W, 21"D	1
F1	TC4-NBLK1923	CUSHION COVER,ASSY,TC4,4 WAY STRETCH,19"W, 23"D	1
G1	TC4-NBLK1925	CUSHION COVER,ASSY,TC4,4 WAY STRETCH,19"W, 25"D	1
H1	TC4-NBLK2013	CUSHION COVER,ASSY,TC4,4 WAY STRETCH,20"W, 13"D	1
I1	TC4-NBLK2015	CUSHION COVER,ASSY,TC4,4 WAY STRETCH,20"W, 15"D	1
J1	TC4-NBLK2017	CUSHION COVER,ASSY,TC4,4 WAY STRETCH,20"W, 17"D	1
K1	TC4-NBLK2019	CUSHION COVER,ASSY,TC4,4 WAY STRETCH,20"W, 19"D	1
L1	TC4-NBLK2021	CUSHION COVER,ASSY,TC4,4 WAY STRETCH,20"W, 21"D	1
M1	TC4-NBLK2023	CUSHION COVER,ASSY,TC4,4 WAY STRETCH,20"W, 23"D	1
N1	TC4-NBLK2025	CUSHION COVER,ASSY,TC4,4 WAY STRETCH,20"W, 25"D	1
O1	TC4-NBLK2113	CUSHION COVER,ASSY,TC4,4 WAY STRETCH,21"W, 13"D	1
P1	TC4-NBLK2115	CUSHION COVER,ASSY,TC4,4 WAY STRETCH,21"W, 15"D	1
Q1	TC4-NBLK2117	CUSHION COVER,ASSY,TC4,4 WAY STRETCH,21"W, 17"D	1
R1	TC4-NBLK2119	CUSHION COVER,ASSY,TC4,4 WAY STRETCH,21"W, 19"D	1
S1	TC4-NBLK2121	CUSHION COVER,ASSY,TC4,4 WAY STRETCH,21"W, 21"D	1
T1	TC4-NBLK2123	CUSHION COVER,ASSY,TC4,4 WAY STRETCH,21"W, 23"D	1
U1	TC4-NBLK2125	CUSHION COVER,ASSY,TC4,4 WAY STRETCH,21"W, 25"D	1
V1	TC4-NBLK2213	CUSHION COVER,ASSY,TC4,4 WAY STRETCH,22"W, 13"D	1
W1	TC4-NBLK2215	CUSHION COVER,ASSY,TC4,4 WAY STRETCH,22"W, 15"D	1
X1	TC4-NBLK2217	CUSHION COVER,ASSY,TC4,4 WAY STRETCH,22"W, 17"D	1
Y1	TC4-NBLK2219	CUSHION COVER,ASSY,TC4,4 WAY STRETCH,22"W, 19"D	1
Z1	TC4-NBLK2221	CUSHION COVER,ASSY,TC4,4 WAY STRETCH,22"W, 21"D	1
AA1	TC4-NBLK2223	CUSHION COVER,ASSY,TC4,4 WAY STRETCH,22"W, 23"D	1
BB1	TC4-NBLK2225	CUSHION COVER,ASSY,TC4,4 WAY STRETCH,22"W, 25"D	1

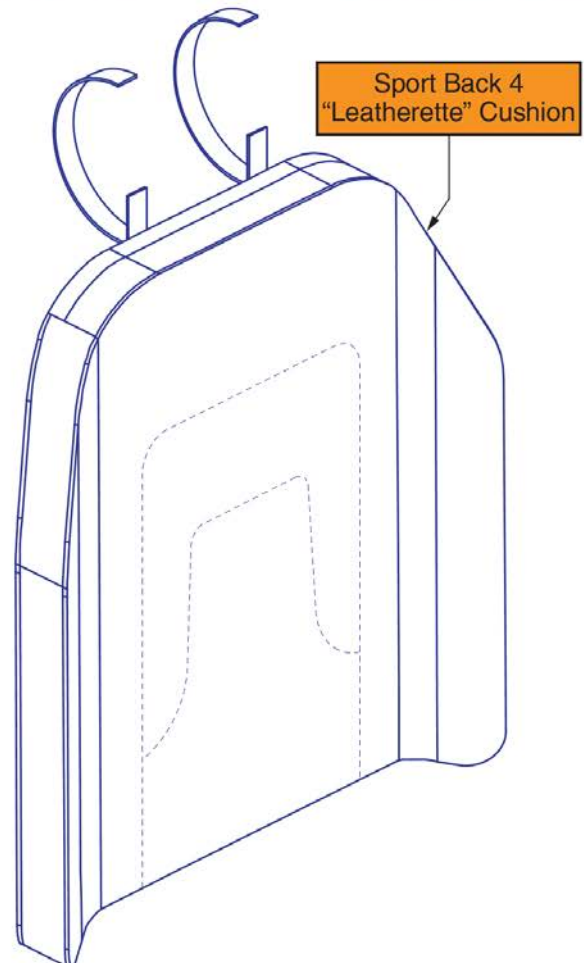
5.2.2. Sport Back 4 Cushions

14" - 18" W Sport Back 4 Cushions				
Ref	Actual Back/ Cushion Size		For use on units with overall back Heights of:	
	Width	Height	Static/Tilt Backs <sup>1</sup>	Recline Backs <sup>2</sup>
A1	14"	13"	16" or 17"	19" or 20"
B1	14"	15"	18" or 19"	21" or 22"
C1	14"	17"	20" or 21"	23" or 24"
D1	14"	19"	22" or 23"	25" or 26"
E1	14"	21"	24" or 25"	27" or 28"
F1	14"	23"	26" or 27"	29" or 30"
G1	14"	25"	28" or 29"	31" or 32"
H1	15"	13"	16" or 17"	19" or 20"
I1	15"	15"	18" or 19"	21" or 22"
J1	15"	17"	20" or 21"	23" or 24"
K1	15"	19"	22" or 23"	25" or 26"
L1	15"	21"	24" or 25"	27" or 28"
M1	15"	23"	26" or 27"	29" or 30"
N1	15"	25"	28" or 29"	31" or 32"
O1	16"	13"	16" or 17"	19" or 20"
P1	16"	15"	18" or 19"	21" or 22"
Q1	16"	17"	20" or 21"	23" or 24"
R1	16"	19"	22" or 23"	25" or 26"
S1	16"	21"	24" or 25"	27" or 28"
T1	16"	23"	26" or 27"	29" or 30"
U1	16"	25"	28" or 29"	31" or 32"
V1	17"	13"	16" or 17"	19" or 20"
W1	17"	15"	18" or 19"	21" or 22"
X1	17"	17"	20" or 21"	23" or 24"
Y1	17"	19"	22" or 23"	25" or 26"
Z1	17"	21"	24" or 25"	27" or 28"
AA1	17"	23"	26" or 27"	29" or 30"
BB1	17"	25"	28" or 29"	31" or 32"
CC1	18"	13"	16" or 17"	19" or 20"
DD1	18"	15"	18" or 19"	21" or 22"

14" - 18" W Sport Back 4 Cushions				
Ref	Actual Back/ Cushion Size		For use on units with overall back Heights of:	
	Width	Height	Static/Tilt Backs <sup>1</sup>	Recline Backs <sup>2</sup>
EE1	18"	17"	20" or 21"	23" or 24"
FF1	18"	19"	22" or 23"	25" or 26"
GG1	18"	21"	24" or 25"	27" or 28"
HH1	18"	23"	26" or 27"	29" or 30"
II1	18"	25"	28" or 29"	31" or 32"

These assemblies include the Complete Sport Back 4 Cushion. The outer cover is available separately.

1. The sizes represent a cushion to pan gap of 3" for even sized overall back heights and 4" for odd sized overall back heights.
2. The sizes represent a cushion to pan gap of 6" for odd sized overall back heights and 7" for even sized overall back heights



# Sport Back 4 Cushions, 14"-18"W



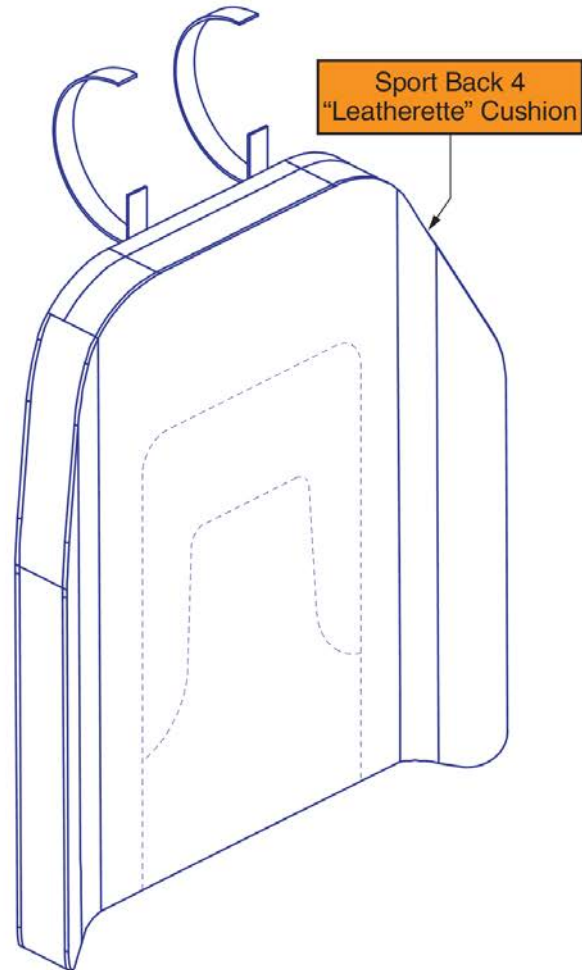
Item	Part No.	Name	Qty
A1	QU-SB4-1413	QUANTUM,CUSHION,ASSY,BACK,14"W,13"H, SPORT BACK 4, LEATHERETTE	1
B1	QU-SB4-1415	QUANTUM,CUSHION,ASSY,BACK,14"W,15"H, SPORT BACK 4, LEATHERETTE	1
C1	QU-SB4-1417	QUANTUM,CUSHION,ASSY,BACK,14"W,17"H, SPORT BACK 4, LEATHERETTE	1
D1	QU-SB4-1419	QUANTUM,CUSHION,ASSY,BACK,14"W,19"H, SPORT BACK 4, LEATHERETTE	1
E1	QU-SB4-1421	QUANTUM,CUSHION,ASSY,BACK,14"W,21"H, SPORT BACK 4, LEATHERETTE	1
F1	QU-SB4-1423	QUANTUM,CUSHION,ASSY,BACK,14"W,23"H, SPORT BACK 4, LEATHERETTE	1
G1	QU-SB4-1425	QUANTUM,CUSHION,ASSY,BACK,14"W,25"H, SPORT BACK 4, LEATHERETTE	1
H1	QU-SB4-1513	QUANTUM,CUSHION,ASSY,BACK,15"W,13"H, SPORT BACK 4, LEATHERETTE	1
I1	QU-SB4-1515	QUANTUM,CUSHION,ASSY,BACK,15"W,15"H, SPORT BACK 4, LEATHERETTE	1
J1	QU-SB4-1517	QUANTUM,CUSHION,ASSY,BACK,15"W,17"H, SPORT BACK 4, LEATHERETTE	1
K1	QU-SB4-1519	QUANTUM,CUSHION,ASSY,BACK,15"W,19"H, SPORT BACK 4, LEATHERETTE	1
L1	QU-SB4-1521	QUANTUM,CUSHION,ASSY,BACK,15"W,21"H, SPORT BACK 4, LEATHERETTE	1
M1	QU-SB4-1523	QUANTUM,CUSHION,ASSY,BACK,15"W,23"H, SPORT BACK 4, LEATHERETTE	1
N1	QU-SB4-1525	QUANTUM,CUSHION,ASSY,BACK,15"W,25"H, SPORT BACK 4, LEATHERETTE	1
O1	QU-SB4-1613	QUANTUM,CUSHION,ASSY,BACK,16"W,13"H, SPORT BACK 4, LEATHERETTE	1
P1	QU-SB4-1615	QUANTUM,CUSHION,ASSY,BACK,16"W,15"H, SPORT BACK 4, LEATHERETTE	1
Q1	QU-SB4-1617	QUANTUM,CUSHION,ASSY,BACK,16"W,17"H, SPORT BACK 4, LEATHERETTE	1
R1	QU-SB4-1619	QUANTUM,CUSHION,ASSY,BACK,16"W,19"H, SPORT BACK 4, LEATHERETTE	1
S1	QU-SB4-1621	QUANTUM,CUSHION,ASSY,BACK,16"W,21"H, SPORT BACK 4, LEATHERETTE	1
T1	QU-SB4-1623	QUANTUM,CUSHION,ASSY,BACK,16"W,23"H, SPORT BACK 4, LEATHERETTE	1
U1	QU-SB4-1625	QUANTUM,CUSHION,ASSY,BACK,16"W,25"H, SPORT BACK 4, LEATHERETTE	1
V1	QU-SB4-1713	QUANTUM,CUSHION,ASSY,BACK,17"W,13"H, SPORT BACK 4, LEATHERETTE	1
W1	QU-SB4-1715	QUANTUM,CUSHION,ASSY,BACK,17"W,15"H, SPORT BACK 4, LEATHERETTE	1
X1	QU-SB4-1717	QUANTUM,CUSHION,ASSY,BACK,17"W,17"H, SPORT BACK 4, LEATHERETTE	1
Y1	QU-SB4-1719	QUANTUM,CUSHION,ASSY,BACK,17"W,19"H, SPORT BACK 4, LEATHERETTE	1
Z1	QU-SB4-1721	QUANTUM,CUSHION,ASSY,BACK,17"W,21"H, SPORT BACK 4, LEATHERETTE	1
AA1	QU-SB4-1723	QUANTUM,CUSHION,ASSY,BACK,17"W,23"H, SPORT BACK 4, LEATHERETTE	1
BB1	QU-SB4-1725	QUANTUM,CUSHION,ASSY,BACK,17"W,25"H, SPORT BACK 4, LEATHERETTE	1
CC1	QU-SB4-1813	QUANTUM,CUSHION,ASSY,BACK,18"W,13"H, SPORT BACK 4, LEATHERETTE	1
DD1	QU-SB4-1815	QUANTUM,CUSHION,ASSY,BACK,18"W,15"H, SPORT BACK 4, LEATHERETTE	1
EE1	QU-SB4-1817	QUANTUM,CUSHION,ASSY,BACK,18"W,17"H, SPORT BACK 4, LEATHERETTE	1
FF1	QU-SB4-1819	QUANTUM,CUSHION,ASSY,BACK,18"W,19"H, SPORT BACK 4, LEATHERETTE	1
GG1	QU-SB4-1821	QUANTUM,CUSHION,ASSY,BACK,18"W,21"H, SPORT BACK 4, LEATHERETTE	1
HH1	QU-SB4-1823	QUANTUM,CUSHION,ASSY,BACK,18"W,23"H, SPORT BACK 4, LEATHERETTE	1
II1	QU-SB4-1825	QUANTUM,CUSHION,ASSY,BACK,18"W,25"H, SPORT BACK 4, LEATHERETTE	1

5.2.2. Sport Back 4 Cushions

19" - 22" W Sport Back 4 Cushions				
Ref	Actual Back/ Cushion Size		For use on units with overall back Heights of:	
	Width	Height	Static/Tilt Backs <sup>1</sup>	Recline Backs <sup>2</sup>
A1	19"	13"	16" or 17"	19" or 20"
B1	19"	15"	18" or 19"	21" or 22"
C1	19"	17"	20" or 21"	23" or 24"
D1	19"	19"	22" or 23"	25" or 26"
E1	19"	21"	24" or 25"	27" or 28"
F1	19"	23"	26" or 27"	29" or 30"
G1	19"	25"	28" or 29"	31" or 32"
H1	20"	13"	16" or 17"	19" or 20"
I1	20"	15"	18" or 19"	21" or 22"
J1	20"	17"	20" or 21"	23" or 24"
K1	20"	19"	22" or 23"	25" or 26"
L1	20"	21"	24" or 25"	27" or 28"
M1	20"	23"	26" or 27"	29" or 30"
N1	20"	25"	28" or 29"	31" or 32"
O1	21"	13"	16" or 17"	19" or 20"
P1	21"	15"	18" or 19"	21" or 22"
Q1	21"	17"	20" or 21"	23" or 24"
R1	21"	19"	22" or 23"	25" or 26"
S1	21"	21"	24" or 25"	27" or 28"
T1	21"	23"	26" or 27"	29" or 30"
U1	21"	25"	28" or 29"	31" or 32"
V1	22"	13"	16" or 17"	19" or 20"
W1	22"	15"	18" or 19"	21" or 22"
X1	22"	17"	20" or 21"	23" or 24"
Y1	22"	19"	22" or 23"	25" or 26"
Z1	22"	21"	24" or 25"	27" or 28"
AA1	22"	23"	26" or 27"	29" or 30"
BB1	22"	25"	28" or 29"	31" or 32"

These assemblies include the Complete Sport Back 4 Cushion. The outer cover is available separately.

1. The sizes represent a cushion to pan gap of 3" for even sized overall back heights and 4" for odd sized overall back heights.
2. The sizes represent a cushion to pan gap of 6" for odd sized overall back heights and 7" for even sized overall back heights



# Sport Back 4 Cushions, 19"-22"W



Item	Part No.	Name	Qty
A1	QU-SB4-1913	QUANTUM,CUSHION,ASSY,BACK,19"W,13"H, SPORT BACK 4, LEATHERETTE	1
B1	QU-SB4-1915	QUANTUM,CUSHION,ASSY,BACK,19"W,15"H, SPORT BACK 4, LEATHERETTE	1
C1	QU-SB4-1917	QUANTUM,CUSHION,ASSY,BACK,19"W,17"H, SPORT BACK 4, LEATHERETTE	1
D1	QU-SB4-1919	QUANTUM,CUSHION,ASSY,BACK,19"W,19"H, SPORT BACK 4, LEATHERETTE	1
E1	QU-SB4-1921	QUANTUM,CUSHION,ASSY,BACK,19"W,21"H, SPORT BACK 4, LEATHERETTE	1
F1	QU-SB4-1923	QUANTUM,CUSHION,ASSY,BACK,19"W,23"H, SPORT BACK 4, LEATHERETTE	1
G1	QU-SB4-1925	QUANTUM,CUSHION,ASSY,BACK,19"W,25"H, SPORT BACK 4, LEATHERETTE	1
H1	QU-SB4-2013	QUANTUM,CUSHION,ASSY,BACK,20"W,13"H, SPORT BACK 4, LEATHERETTE	1
I1	QU-SB4-2015	QUANTUM,CUSHION,ASSY,BACK,20"W,15"H, SPORT BACK 4, LEATHERETTE	1
J1	QU-SB4-2017	QUANTUM,CUSHION,ASSY,BACK,20"W,17"H, SPORT BACK 4, LEATHERETTE	1
K1	QU-SB4-2019	QUANTUM,CUSHION,ASSY,BACK,20"W,19"H, SPORT BACK 4, LEATHERETTE	1
L1	QU-SB4-2021	QUANTUM,CUSHION,ASSY,BACK,20"W,21"H, SPORT BACK 4, LEATHERETTE	1
M1	QU-SB4-2023	QUANTUM,CUSHION,ASSY,BACK,20"W,23"H, SPORT BACK 4, LEATHERETTE	1
N1	QU-SB4-2025	QUANTUM,CUSHION,ASSY,BACK,20"W,25"H, SPORT BACK 4, LEATHERETTE	1
O1	QU-SB4-2113	QUANTUM,CUSHION,ASSY,BACK,21"W,13"H, SPORT BACK 4, LEATHERETTE	1
P1	QU-SB4-2115	QUANTUM,CUSHION,ASSY,BACK,21"W,15"H, SPORT BACK 4, LEATHERETTE	1
Q1	QU-SB4-2117	QUANTUM,CUSHION,ASSY,BACK,21"W,17"H, SPORT BACK 4, LEATHERETTE	1
R1	QU-SB4-2119	QUANTUM,CUSHION,ASSY,BACK,21"W,19"H, SPORT BACK 4, LEATHERETTE	1
S1	QU-SB4-2121	QUANTUM,CUSHION,ASSY,BACK,21"W,21"H, SPORT BACK 4, LEATHERETTE	1
T1	QU-SB4-2123	QUANTUM,CUSHION,ASSY,BACK,21"W,23"H, SPORT BACK 4, LEATHERETTE	1
U1	QU-SB4-2125	QUANTUM,CUSHION,ASSY,BACK,21"W,25"H, SPORT BACK 4, LEATHERETTE	1
V1	QU-SB4-2213	QUANTUM,CUSHION,ASSY,BACK,22"W,13"H, SPORT BACK 4, LEATHERETTE	1
W1	QU-SB4-2215	QUANTUM,CUSHION,ASSY,BACK,22"W,15"H, SPORT BACK 4, LEATHERETTE	1
X1	QU-SB4-2217	QUANTUM,CUSHION,ASSY,BACK,22"W,17"H, SPORT BACK 4, LEATHERETTE	1
Y1	QU-SB4-2219	QUANTUM,CUSHION,ASSY,BACK,22"W,19"H, SPORT BACK 4, LEATHERETTE	1
Z1	QU-SB4-2221	QUANTUM,CUSHION,ASSY,BACK,22"W,21"H, SPORT BACK 4, LEATHERETTE	1
AA1	QU-SB4-2223	QUANTUM,CUSHION,ASSY,BACK,22"W,23"H, SPORT BACK 4, LEATHERETTE	1
BB1	QU-SB4-2225	QUANTUM,CUSHION,ASSY,BACK,22"W,25"H, SPORT BACK 4, LEATHERETTE	1

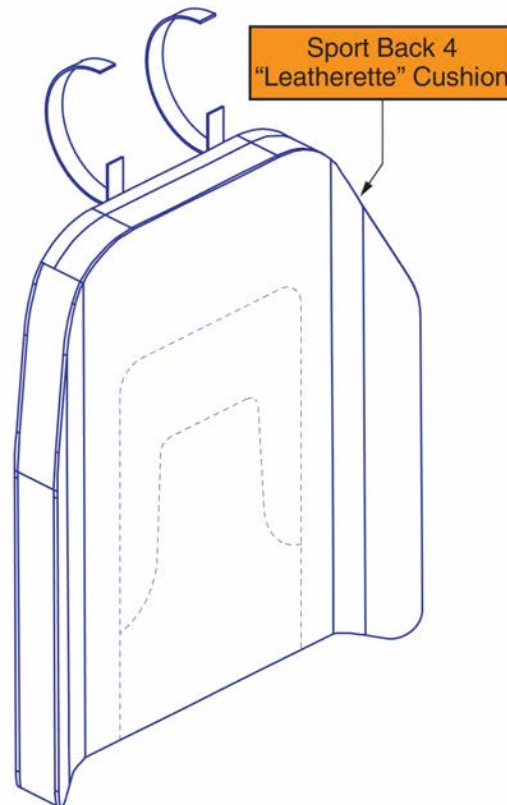
5.2.2. Sport Back 4 Cushions

24" - 28" W Sport Back 4 Cushions				
Actual Back/ Cushion Size			For use on units with overall back Heights of:	
Ref	Width	Height	Static/Tilt Backs <sup>1</sup>	Recline Backs <sup>2</sup>
A1	24"	13"	16" or 17"	19" or 20"
B1	24"	15"	18" or 19"	21" or 22"
C1	24"	17"	20" or 21"	23" or 24"
D1	24"	19"	22" or 23"	25" or 26"
E1	24"	21"	24" or 25"	27" or 28"
F1	24"	23"	26" or 27"	29" or 30"
G1	24"	25"	28" or 29"	31" or 32"
H1	26"	13"	16" or 17"	19" or 20"
I1	26"	15"	18" or 19"	21" or 22"
J1	26"	17"	20" or 21"	23" or 24"
K1	26"	19"	22" or 23"	25" or 26"
L1	26"	21"	24" or 25"	27" or 28"
M1	26"	23"	26" or 27"	29" or 30"
N1	26"	25"	28" or 29"	31" or 32"
O1	28"	13"	16" or 17"	19" or 20"
P1	28"	15"	18" or 19"	21" or 22"
Q1	28"	17"	20" or 21"	23" or 24"
R1	28"	19"	22" or 23"	25" or 26"
S1	28"	21"	24" or 25"	27" or 28"
T1	28"	23"	26" or 27"	29" or 30"
U1	28"	25"	28" or 29"	31" or 32"

These assemblies include the Complete Sport Back 4 Cushion. The outer cover is available separately.

- The Cushion sizes listed may have a prolonged lead time when attempting to procure a replacement for an unavailable Sport Back Cushion.
- Contact technical service for availability and lead times.

1. The sizes represent a cushion to pan gap of 3" for even sized overall back heights and 4" for odd sized overall back heights.
2. The sizes represent a cushion to pan gap of 6" for odd sized overall back heights and 7" for even sized overall back heights.



# Sport Back 4 Cushions, 24"-28"W



Item	Part No.	Name	Qty
A1	QU-SB4-2413	QUANTUM,CUSHION,ASSY,BACK,24"W,13"H, SPORT BACK 4, LEATHERETTE	1
B1	QU-SB4-2415	QUANTUM,CUSHION,ASSY,BACK,24"W,15"H, SPORT BACK 4, LEATHERETTE	1
C1	QU-SB4-2417	QUANTUM,CUSHION,ASSY,BACK,24"W,17"H, SPORT BACK 4, LEATHERETTE	1
D1	QU-SB4-2419	QUANTUM,CUSHION,ASSY,BACK,24"W,19"H, SPORT BACK 4, LEATHERETTE	1
E1	QU-SB4-2421	QUANTUM,CUSHION,ASSY,BACK,24"W,21"H, SPORT BACK 4, LEATHERETTE	1
F1	QU-SB4-2423	QUANTUM,CUSHION,ASSY,BACK,24"W,23"H, SPORT BACK 4, LEATHERETTE	1
G1	QU-SB4-2425	QUANTUM,CUSHION,ASSY,BACK,24"W,25"H, SPORT BACK 4, LEATHERETTE	1
H1	QU-SB4-2613	QUANTUM,CUSHION,ASSY,BACK,26"W,13"H, SPORT BACK 4, LEATHERETTE	1
I1	QU-SB4-2615	QUANTUM,CUSHION,ASSY,BACK,26"W,15"H, SPORT BACK 4, LEATHERETTE	1
J1	QU-SB4-2617	QUANTUM,CUSHION,ASSY,BACK,26"W,17"H, SPORT BACK 4, LEATHERETTE	1
K1	QU-SB4-2619	QUANTUM,CUSHION,ASSY,BACK,26"W,19"H, SPORT BACK 4, LEATHERETTE	1
L1	QU-SB4-2621	QUANTUM,CUSHION,ASSY,BACK,26"W,21"H, SPORT BACK 4, LEATHERETTE	1
M1	QU-SB4-2623	QUANTUM,CUSHION,ASSY,BACK,26"W,23"H, SPORT BACK 4, LEATHERETTE	1
N1	QU-SB4-2625	QUANTUM,CUSHION,ASSY,BACK,26"W,25"H, SPORT BACK 4, LEATHERETTE	1
O1	QU-SB4-2813	QUANTUM,CUSHION,ASSY,BACK,28"W,13"H, SPORT BACK 4, LEATHERETTE	1
P1	QU-SB4-2815	QUANTUM,CUSHION,ASSY,BACK,28"W,15"H, SPORT BACK 4, LEATHERETTE	1
Q1	QU-SB4-2817	QUANTUM,CUSHION,ASSY,BACK,28"W,17"H, SPORT BACK 4, LEATHERETTE	1
R1	QU-SB4-2819	QUANTUM,CUSHION,ASSY,BACK,28"W,19"H, SPORT BACK 4, LEATHERETTE	1
S1	QU-SB4-2821	QUANTUM,CUSHION,ASSY,BACK,28"W,21"H, SPORT BACK 4, LEATHERETTE	1
T1	QU-SB4-2823	QUANTUM,CUSHION,ASSY,BACK,28"W,23"H, SPORT BACK 4, LEATHERETTE	1
U1	QU-SB4-2825	QUANTUM,CUSHION,ASSY,BACK,28"W,25"H, SPORT BACK 4, LEATHERETTE	1

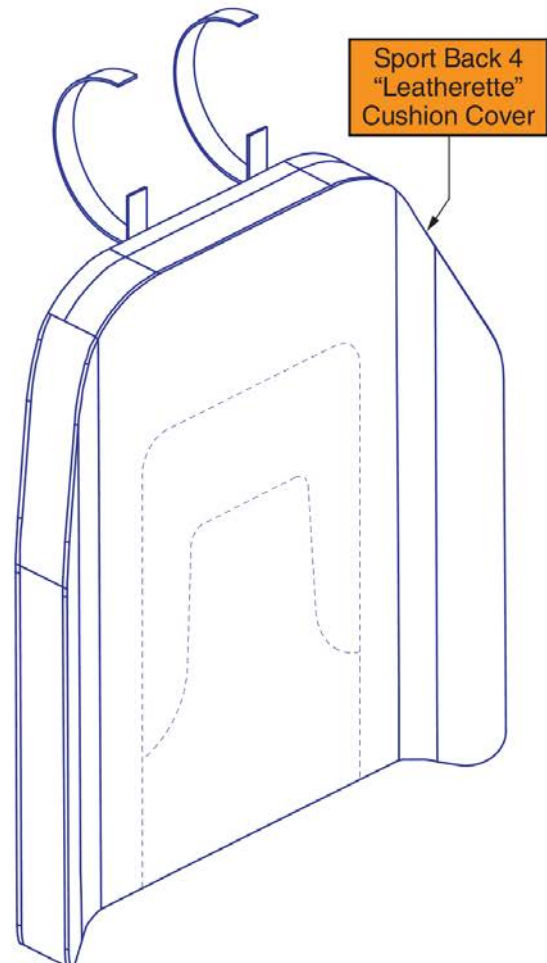
5.2.2. Sport Back 4 Cushions

14" - 18" W Sport Back 4 Cushion Covers				
Ref	Actual Back/ Cushion Size		For use on units with overall back Heights of:	
	Width	Height	Static/Tilt Backs <sup>1</sup>	Recline Backs <sup>2</sup>
A1	14"	13"	16" or 17"	19" or 20"
B1	14"	15"	18" or 19"	21" or 22"
C1	14"	17"	20" or 21"	23" or 24"
D1	14"	19"	22" or 23"	25" or 26"
E1	14"	21"	24" or 25"	27" or 28"
F1	14"	23"	26" or 27"	29" or 30"
G1	14"	25"	28" or 29"	31" or 32"
H1	15"	13"	16" or 17"	19" or 20"
I1	15"	15"	18" or 19"	21" or 22"
J1	15"	17"	20" or 21"	23" or 24"
K1	15"	19"	22" or 23"	25" or 26"
L1	15"	21"	24" or 25"	27" or 28"
M1	15"	23"	26" or 27"	29" or 30"
N1	15"	25"	28" or 29"	31" or 32"
O1	16"	13"	16" or 17"	19" or 20"
P1	16"	15"	18" or 19"	21" or 22"
Q1	16"	17"	20" or 21"	23" or 24"
R1	16"	19"	22" or 23"	25" or 26"
S1	16"	21"	24" or 25"	27" or 28"
T1	16"	23"	26" or 27"	29" or 30"
U1	16"	25"	28" or 29"	31" or 32"
V1	17"	13"	16" or 17"	19" or 20"
W1	17"	15"	18" or 19"	21" or 22"
X1	17"	17"	20" or 21"	23" or 24"
Y1	17"	19"	22" or 23"	25" or 26"
Z1	17"	21"	24" or 25"	27" or 28"
AA1	17"	23"	26" or 27"	29" or 30"
BB1	17"	25"	28" or 29"	31" or 32"
CC1	18"	13"	16" or 17"	19" or 20"
DD1	18"	15"	18" or 19"	21" or 22"

14" - 18" W Sport Back 4 Cushion Covers				
Ref	Actual Back/ Cushion Size		For use on units with overall back Heights of:	
	Width	Height	Static/Tilt Backs <sup>1</sup>	Recline Backs <sup>2</sup>
EE1	18"	17"	20" or 21"	23" or 24"
FF1	18"	19"	22" or 23"	25" or 26"
GG1	18"	21"	24" or 25"	27" or 28"
HH1	18"	23"	26" or 27"	29" or 30"
II1	18"	25"	28" or 29"	31" or 32"

These assemblies include the Complete Sport Back 4 Cushion Outer Cover. All other components are only available with the complete cushion assy.

1. The sizes represent a cushion to pan gap of 3" for even sized overall back heights and 4" for odd sized overall back heights.
2. The sizes represent a cushion to pan gap of 6" for odd sized overall back heights and 7" for even sized overall back heights





# Sport Back 4 Cushion Covers, 14"-18"W



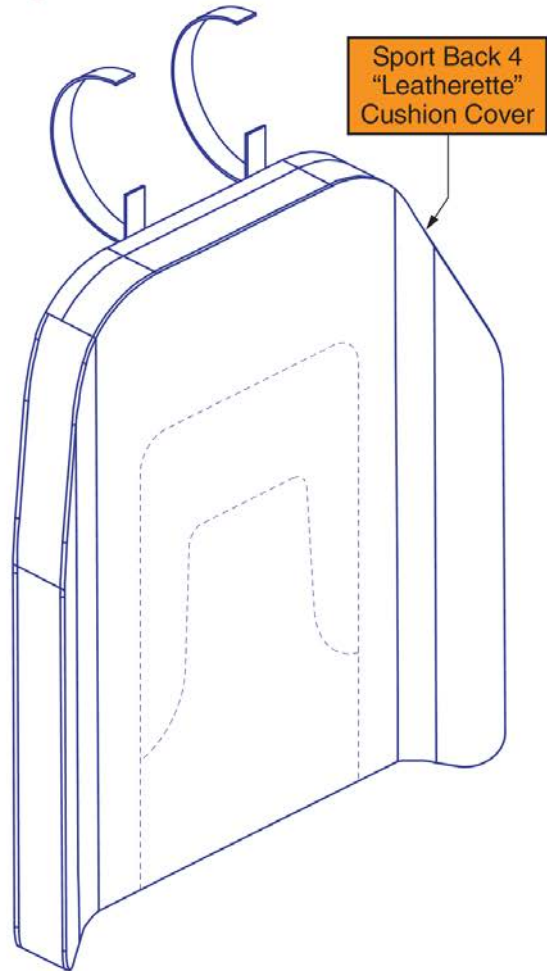
Item	Part No.	Name	Qty
A1	SB4-LBLK1413	CUSHION COVER,ASSY,SB4,LEATHERETTE,14"W, 13"D	1
B1	SB4-LBLK1415	CUSHION COVER,ASSY,SB4,LEATHERETTE,14"W, 15"D	1
C1	SB4-LBLK1417	CUSHION COVER,ASSY,SB4,LEATHERETTE,14"W, 17"D	1
D1	SB4-LBLK1419	CUSHION COVER,ASSY,SB4,LEATHERETTE,14"W, 19"D	1
E1	SB4-LBLK1421	CUSHION COVER,ASSY,SB4,LEATHERETTE,14"W, 21"D	1
F1	SB4-LBLK1423	CUSHION COVER,ASSY,SB4,LEATHERETTE,14"W, 23"D	1
G1	SB4-LBLK1425	CUSHION COVER,ASSY,SB4,LEATHERETTE,14"W, 25"D	1
H1	SB4-LBLK1513	CUSHION COVER,ASSY,SB4,LEATHERETTE,15"W, 13"D	1
I1	SB4-LBLK1515	CUSHION COVER,ASSY,SB4,LEATHERETTE,15"W, 15"D	1
J1	SB4-LBLK1517	CUSHION COVER,ASSY,SB4,LEATHERETTE,15"W, 17"D	1
K1	SB4-LBLK1519	CUSHION COVER,ASSY,SB4,LEATHERETTE,15"W, 19"D	1
L1	SB4-LBLK1521	CUSHION COVER,ASSY,SB4,LEATHERETTE,15"W, 21"D	1
M1	SB4-LBLK1523	CUSHION COVER,ASSY,SB4,LEATHERETTE,15"W, 23"D	1
N1	SB4-LBLK1525	CUSHION COVER,ASSY,SB4,LEATHERETTE,15"W, 25"D	1
O1	SB4-LBLK1613	CUSHION COVER,ASSY,SB4,LEATHERETTE,16"W, 13"D	1
P1	SB4-LBLK1615	CUSHION COVER,ASSY,SB4,LEATHERETTE,16"W, 15"D	1
Q1	SB4-LBLK1617	CUSHION COVER,ASSY,SB4,LEATHERETTE,16"W, 17"D	1
R1	SB4-LBLK1619	CUSHION COVER,ASSY,SB4,LEATHERETTE,16"W, 19"D	1
S1	SB4-LBLK1621	CUSHION COVER,ASSY,SB4,LEATHERETTE,16"W, 21"D	1
T1	SB4-LBLK1623	CUSHION COVER,ASSY,SB4,LEATHERETTE,16"W, 23"D	1
U1	SB4-LBLK1625	CUSHION COVER,ASSY,SB4,LEATHERETTE,16"W, 25"D	1
V1	SB4-LBLK1713	CUSHION COVER,ASSY,SB4,LEATHERETTE,17"W, 13"D	1
W1	SB4-LBLK1715	CUSHION COVER,ASSY,SB4,LEATHERETTE,17"W, 15"D	1
X1	SB4-LBLK1717	CUSHION COVER,ASSY,SB4,LEATHERETTE,17"W, 17"D	1
Y1	SB4-LBLK1719	CUSHION COVER,ASSY,SB4,LEATHERETTE,17"W, 19"D	1
Z1	SB4-LBLK1721	CUSHION COVER,ASSY,SB4,LEATHERETTE,17"W, 21"D	1
AA1	SB4-LBLK1723	CUSHION COVER,ASSY,SB4,LEATHERETTE,17"W, 23"D	1
BB1	SB4-LBLK1725	CUSHION COVER,ASSY,SB4,LEATHERETTE,17"W, 25"D	1
CC1	SB4-LBLK1813	CUSHION COVER,ASSY,SB4,LEATHERETTE,18"W, 13"D	1
DD1	SB4-LBLK1815	CUSHION COVER,ASSY,SB4,LEATHERETTE,18"W, 15"D	1
EE1	SB4-LBLK1817	CUSHION COVER,ASSY,SB4,LEATHERETTE,18"W, 17"D	1
FF1	SB4-LBLK1819	CUSHION COVER,ASSY,SB4,LEATHERETTE,18"W, 19"D	1
GG1	SB4-LBLK1821	CUSHION COVER,ASSY,SB4,LEATHERETTE,18"W, 21"D	1
HH1	SB4-LBLK1823	CUSHION COVER,ASSY,SB4,LEATHERETTE,18"W, 23"D	1
II1	SB4-LBLK1825	CUSHION COVER,ASSY,SB4,LEATHERETTE,18"W, 25"D	1

5.2.2. Sport Back 4 Cushions

19" - 22" W Sport Back 4 Cushion Covers				
Ref	Actual Back/ Cushion Size		For use on units with overall back Heights of:	
	Width	Height	Static/Tilt Backs <sup>1</sup>	Recline Backs <sup>2</sup>
A1	19"	13"	16" or 17"	19" or 20"
B1	19"	15"	18" or 19"	21" or 22"
C1	19"	17"	20" or 21"	23" or 24"
D1	19"	19"	22" or 23"	25" or 26"
E1	19"	21"	24" or 25"	27" or 28"
F1	19"	23"	26" or 27"	29" or 30"
G1	19"	25"	28" or 29"	31" or 32"
H1	20"	13"	16" or 17"	19" or 20"
I1	20"	15"	18" or 19"	21" or 22"
J1	20"	17"	20" or 21"	23" or 24"
K1	20"	19"	22" or 23"	25" or 26"
L1	20"	21"	24" or 25"	27" or 28"
M1	20"	23"	26" or 27"	29" or 30"
N1	20"	25"	28" or 29"	31" or 32"
O1	21"	13"	16" or 17"	19" or 20"
P1	21"	15"	18" or 19"	21" or 22"
Q1	21"	17"	20" or 21"	23" or 24"
R1	21"	19"	22" or 23"	25" or 26"
S1	21"	21"	24" or 25"	27" or 28"
T1	21"	23"	26" or 27"	29" or 30"
U1	21"	25"	28" or 29"	31" or 32"
V1	22"	13"	16" or 17"	19" or 20"
W1	22"	15"	18" or 19"	21" or 22"
X1	22"	17"	20" or 21"	23" or 24"
Y1	22"	19"	22" or 23"	25" or 26"
Z1	22"	21"	24" or 25"	27" or 28"
AA1	22"	23"	26" or 27"	29" or 30"
BB1	22"	25"	28" or 29"	31" or 32"

These assemblies include the Complete Sport Back 4 Cushion Outer Cover. All other components are only available with the complete cushion assy.

1. The sizes represent a cushion to pan gap of 3" for even sized overall back heights and 4" for odd sized overall back heights.
2. The sizes represent a cushion to pan gap of 6" for odd sized overall back heights and 7" for even sized overall back heights

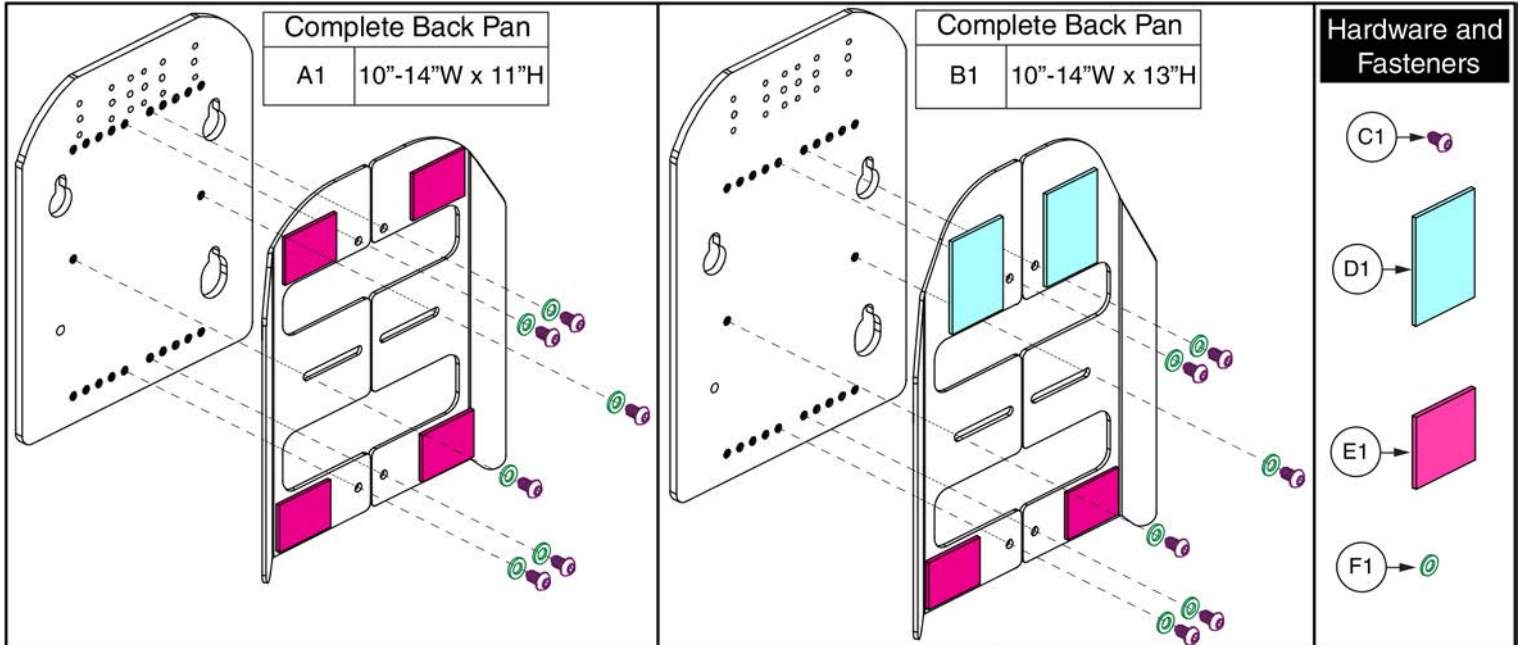


**Sport Back 4 Cushion Covers, 19"-22"W**



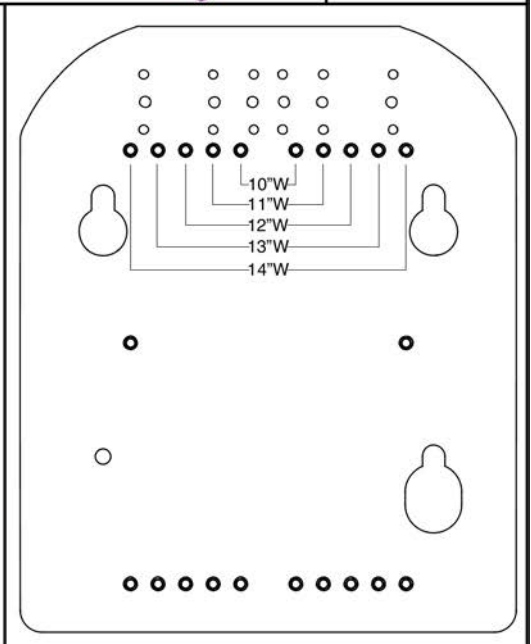
Item	Part No.	Name	Qty
A1	SB4-LBLK1913	CUSHION COVER,ASSY,SB4,LEATHERETTE,19"W, 13"D	1
B1	SB4-LBLK1915	CUSHION COVER,ASSY,SB4,LEATHERETTE,19"W, 15"D	1
C1	SB4-LBLK1917	CUSHION COVER,ASSY,SB4,LEATHERETTE,19"W, 17"D	1
D1	SB4-LBLK1919	CUSHION COVER,ASSY,SB4,LEATHERETTE,19"W, 19"D	1
E1	SB4-LBLK1921	CUSHION COVER,ASSY,SB4,LEATHERETTE,19"W, 21"D	1
F1	SB4-LBLK1923	CUSHION COVER,ASSY,SB4,LEATHERETTE,19"W, 23"D	1
G1	SB4-LBLK1925	CUSHION COVER,ASSY,SB4,LEATHERETTE,19"W, 25"D	1
H1	SB4-LBLK2013	CUSHION COVER,ASSY,SB4,LEATHERETTE,20"W, 13"D	1
I1	SB4-LBLK2015	CUSHION COVER,ASSY,SB4,LEATHERETTE,20"W, 15"D	1
J1	SB4-LBLK2017	CUSHION COVER,ASSY,SB4,LEATHERETTE,20"W, 17"D	1
K1	SB4-LBLK2019	CUSHION COVER,ASSY,SB4,LEATHERETTE,20"W, 19"D	1
L1	SB4-LBLK2021	CUSHION COVER,ASSY,SB4,LEATHERETTE,20"W, 21"D	1
M1	SB4-LBLK2023	CUSHION COVER,ASSY,SB4,LEATHERETTE,20"W, 23"D	1
N1	SB4-LBLK2025	CUSHION COVER,ASSY,SB4,LEATHERETTE,20"W, 25"D	1
O1	SB4-LBLK2113	CUSHION COVER,ASSY,SB4,LEATHERETTE,21"W, 13"D	1
P1	SB4-LBLK2115	CUSHION COVER,ASSY,SB4,LEATHERETTE,21"W, 15"D	1
Q1	SB4-LBLK2117	CUSHION COVER,ASSY,SB4,LEATHERETTE,21"W, 17"D	1
R1	SB4-LBLK2119	CUSHION COVER,ASSY,SB4,LEATHERETTE,21"W, 19"D	1
S1	SB4-LBLK2121	CUSHION COVER,ASSY,SB4,LEATHERETTE,21"W, 21"D	1
T1	SB4-LBLK2123	CUSHION COVER,ASSY,SB4,LEATHERETTE,21"W, 23"D	1
U1	SB4-LBLK2125	CUSHION COVER,ASSY,SB4,LEATHERETTE,21"W, 25"D	1
V1	SB4-LBLK2213	CUSHION COVER,ASSY,SB4,LEATHERETTE,22"W, 13"D	1
W1	SB4-LBLK2215	CUSHION COVER,ASSY,SB4,LEATHERETTE,22"W, 15"D	1
X1	SB4-LBLK2217	CUSHION COVER,ASSY,SB4,LEATHERETTE,22"W, 17"D	1
Y1	SB4-LBLK2219	CUSHION COVER,ASSY,SB4,LEATHERETTE,22"W, 19"D	1
Z1	SB4-LBLK2221	CUSHION COVER,ASSY,SB4,LEATHERETTE,22"W, 21"D	1
AA1	SB4-LBLK2223	CUSHION COVER,ASSY,SB4,LEATHERETTE,22"W, 23"D	1
BB1	SB4-LBLK2225	CUSHION COVER,ASSY,SB4,LEATHERETTE,22"W, 25"D	1

5.3. Back Pans - Sport & TRU-Comfort 2



For use on units with overall back Heights of:			
Ref	Back Pan Size	Static/Tilt Backs <sup>1</sup>	Recline Backs <sup>2</sup>
A1	10-14"W x 11"H	14" or 15"	17" or 18"
B1	10-14"W x 13"H	16" or 17"	19" or 20"

<sup>1</sup> The sizes represent a cushion to pan gap of 3" for even sized overall back heights and 4" for odd sized overall back heights.  
<sup>2</sup> The sizes represent a cushion to pan gap of 6" for odd sized overall back heights and 7" for even sized overall back heights.



## Back Pan, 10"-14"W, No Cushion, TB3



Item	Part No.	Name	Qty
A1	SET124538	SEAT BACK,ASSY,10"W-14"W,11"H,W/MOUNTING HARDWARE,TB3	1
B1	SET124539	SEAT BACK,ASSY,10"W-14"W,13"H,W/MOUNTING HARDWARE,TB3	1
C1	SCR8120002	SCREW,BHSCS,BLACK ZINC,M6-1.0 X 10MM,W/NYLON PATCH	6
D1	HDW124709	REUSABLE FASTENER,HOOK,2" X 3	2
E1	HDW124711	REUSABLE FASTENER,HOOK,2" X 1 1/2"	4
F1	WASSTND1097	WASHER, FLAT, 6.4 ID X 12 OD X 1.6 THK, ISO 7089-6-200 HV, BZ	6

5.3. Back Pans - Sport & TRU-Comfort 2

**Complete Back Pan A1**  
16"-20"W x 13"H

**Complete Back Pan B1**  
16"-20"W x 15"H

**Complete Back Pan C1**  
16"-20"W x 17"H

**Complete Back Pan D1**  
16"-20"W x 19"H

**Complete Back Pan E1**  
16"-20"W x 21"H

**Hardware and Fasteners**

- F1
- G1
- H1
- I1
- J1

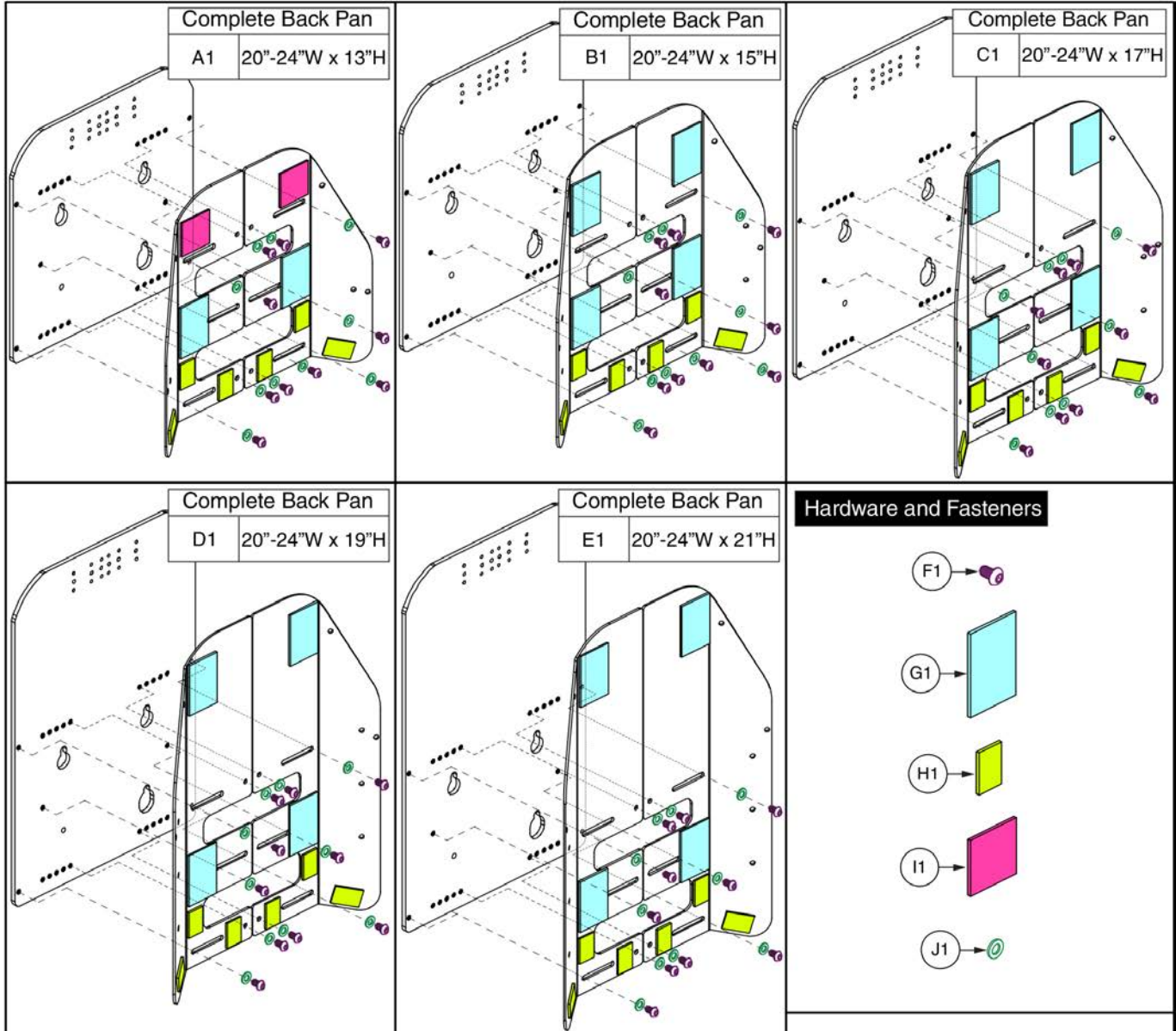
For use on units with overall back Heights of:			
Ref	Back Pan Size	Static/Tilt Backs <sup>1</sup>	Recline Backs <sup>2</sup>
A1	16-20"W x 13"H	16" or 17"	19" or 20"
B1	16-20"W x 15"H	18" or 19"	21" or 22"
C1	16-20"W x 17"H	20" or 21"	23" or 24"
D1	16-20"W x 19"H	22" or 23"	25" or 26"
E1	16-20"W x 21"H	24" or 25"	27" or 28"

<sup>1</sup> The sizes represent a cushion to pan gap of 3" for even sized overall back heights and 4" for odd sized overall back heights.  
<sup>2</sup> The sizes represent a cushion to pan gap of 6" for odd sized overall back heights and 7" for even sized overall back heights.

**Back Pan, 16"-20"W, No Cushion, TB3**

Item	Part No.	Name	Qty
A1	SET124546	SEAT BACK,ASSY,16"W-20"W,13"H,W/MOUNTING HARDWARE,TB3	1
B1	SET124547	SEAT BACK,ASSY,16"W-20"W,15"H,W/MOUNTING HARDWARE,TB3	1
C1	SET124548	SEAT BACK,ASSY,16"W-20"W,17"H,W/MOUNTING HARDWARE,TB3	1
D1	SET124549	SEAT BACK,ASSY,16"W-20"W,19"H,W/MOUNTING HARDWARE,TB3	1
E1	SET124550	SEAT BACK,ASSY,16"W-20"W,21"H,W/MOUNTING HARDWARE,TB3	1
F1	SCR8120002	SCREW,BHSCS,BLACK ZINC,M6-1.0 X 10MM,W/NYLON PATCH	10
G1	HDW124709	REUSABLE FASTENER,HOOK,2" X 3	4
H1	HDW124712	REUSABLE FASTENER,HOOK,1 1/2" X 1"	6
I1	HDW124710	REUSABLE FASTENER,HOOK,2" X 2",	2
J1	WASSTND1097	WASHER, FLAT, 6.4 ID X 12 OD X 1.6 THK, ISO 7089-6-200 HV, BZ	10

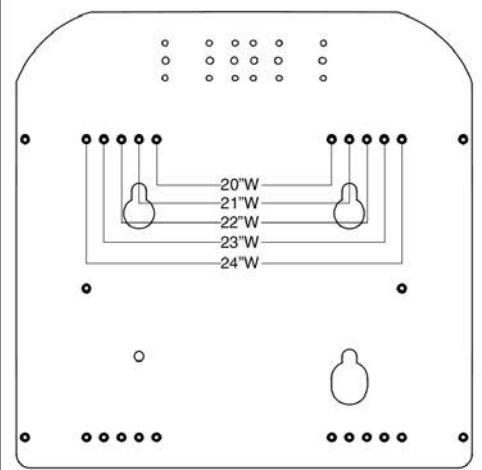
5.3. Back Pans - Sport & TRU-Comfort 2



For use on units with overall back Heights of:

Ref	Back Pan Size	Static/Tilt Backs <sup>1</sup>	Recline Backs <sup>2</sup>
A1	20-24"W x 13"H	16" or 17"	19" or 20"
B1	20-24"W x 15"H	18" or 19"	21" or 22"
C1	20-24"W x 17"H	20" or 21"	23" or 24"
D1	20-24"W x 19"H	22" or 23"	25" or 26"
E1	20-24"W x 21"H	24" or 25"	27" or 28"

<sup>1</sup>. The sizes represent a cushion to pan gap of 3" for even sized overall back heights and 4" for odd sized overall back heights.  
<sup>2</sup>. The sizes represent a cushion to pan gap of 6" for odd sized overall back heights and 7" for even sized overall back heights.



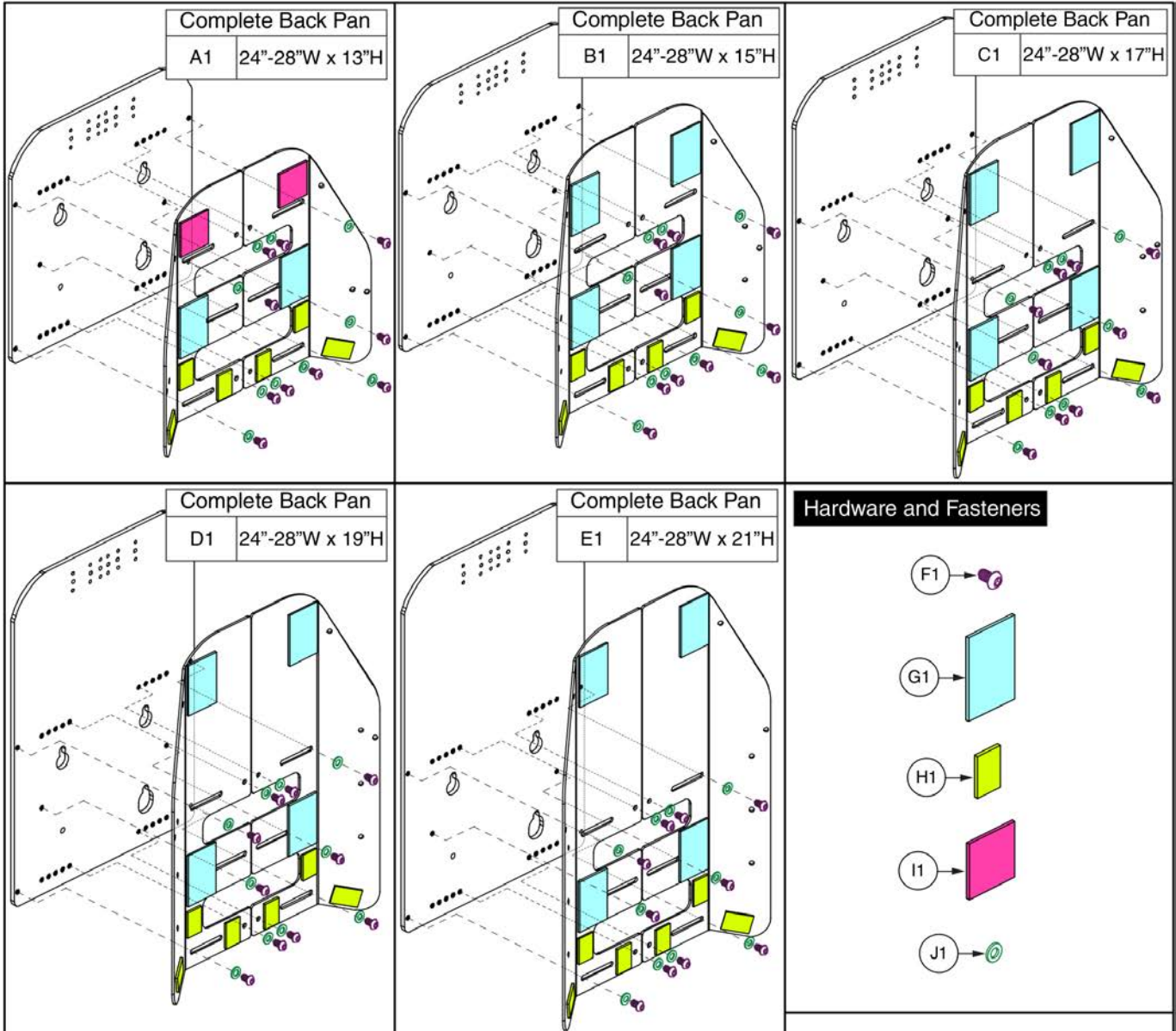


**Back Pan, 20"-24"W, No Cushion, TB3**



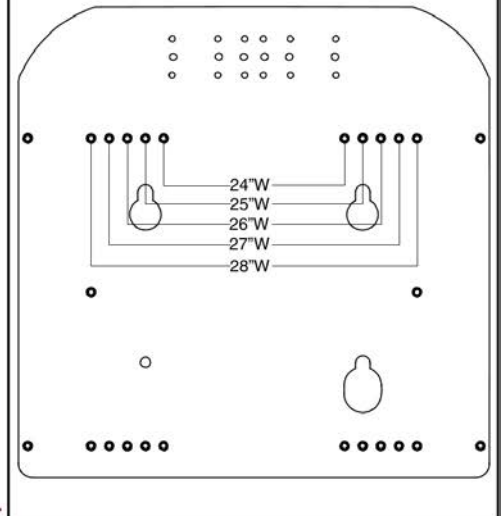
Item	Part No.	Name	Qty
A1	SET124552	SEAT BACK,ASSY,20"W-24"W,13"H,W/MOUNTING HARDWARE, TB3	1
B1	SET124553	SEAT BACK,ASSY,20"W-24"W,15"H,W/MOUNTING HARDWARE, TB3	1
C1	SET124555	SEAT BACK,ASSY,20"W-24"W,17"H,W/MOUNTING HARDWARE, TB3	1
D1	SET124556	SEAT BACK,ASSY,20"W-24"W,19"H,W/MOUNTING HARDWARE, TB3	1
E1	SET124557	SEAT BACK,ASSY,20"W-24"W,21"H,W/MOUNTING HARDWARE, TB3	1
F1	SCR8120002	SCREW,BHSCS,BLACK ZINC,M6-1.0 X 10MM,W/NYLON PATCH	10
G1	HDW124709	REUSABLE FASTENER,HOOK,2" X 3	4
H1	HDW124712	REUSABLE FASTENER,HOOK,1 1/2" X 1"	6
I1	HDW124710	REUSABLE FASTENER,HOOK,2" X 2",	2
J1	WASSTND1097	WASHER, FLAT, 6.4 ID X 12 OD X 1.6 THK, ISO 7089-6-200 HV, BZ	10

5.3. Back Pans - Sport & TRU-Comfort 2



Ref	Back Pan Size	For use on units with overall back Heights of:	
		Static/Tilt Backs <sup>1</sup>	Recline Backs <sup>2</sup>
A1	24-28"W x 13"H	16" or 17"	19" or 20"
B1	24-28"W x 15"H	18" or 19"	21" or 22"
C1	24-28"W x 17"H	20" or 21"	23" or 24"
D1	24-28"W x 19"H	22" or 23"	25" or 26"
E1	24-28"W x 21"H	24" or 25"	27" or 28"

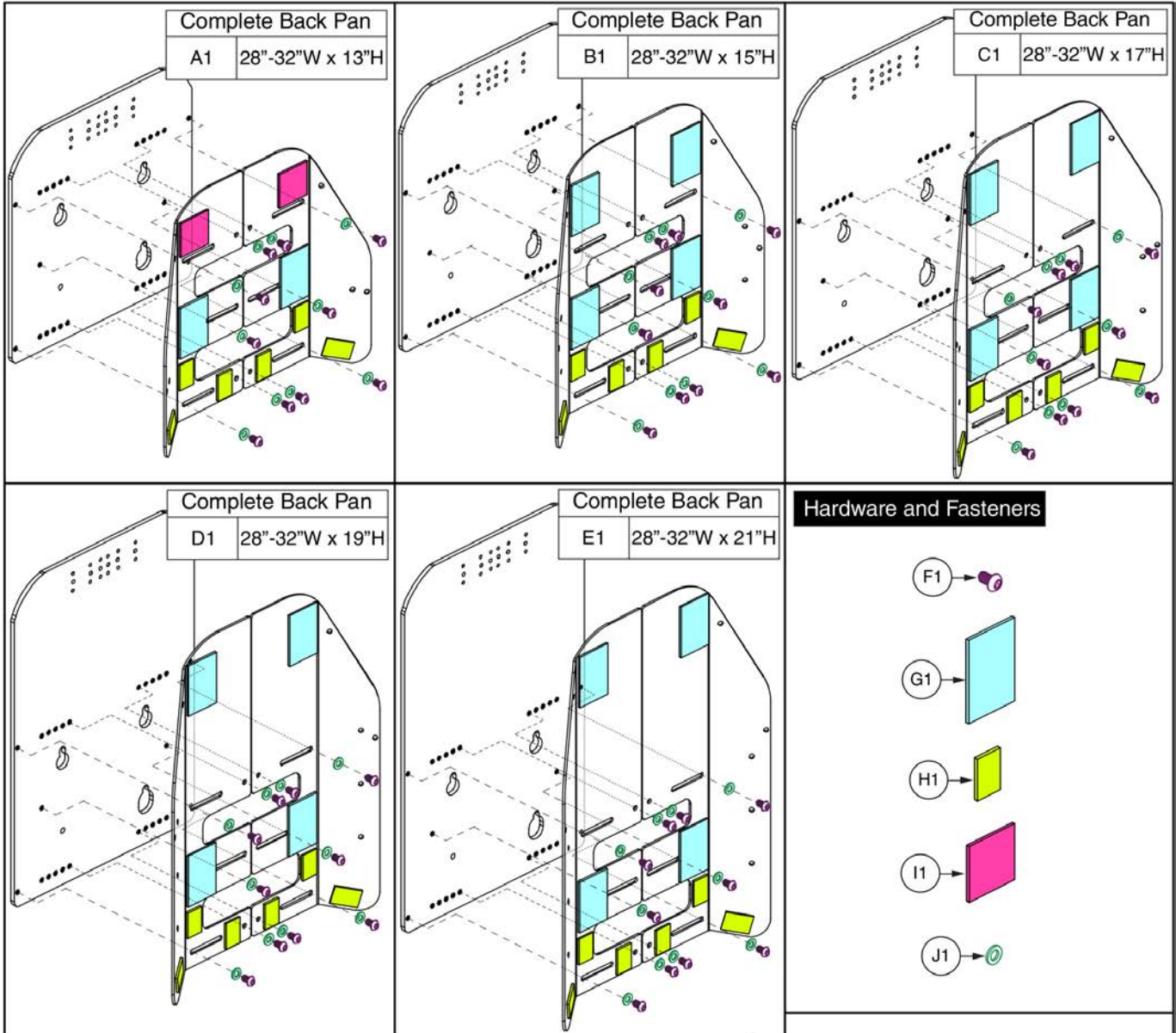
<sup>1</sup> The sizes represent a cushion to pan gap of 3" for even sized overall back heights and 4" for odd sized overall back heights.  
<sup>2</sup> The sizes represent a cushion to pan gap of 6" for odd sized overall back heights and 7" for even sized overall back heights.



**Back Pan, 24"-28"W, No Cushion, TB3**

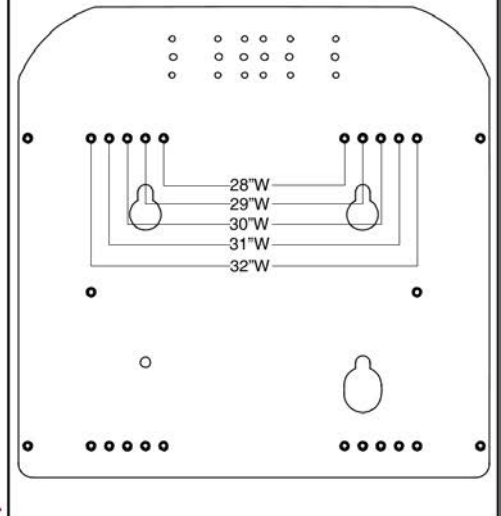
Item	Part No.	Name	Qty
A1	SET124558	SEAT BACK,ASSY,24"W-28"W,13"H,W/MOUNTING HARDWARE, TB3	1
B1	SET124560	SEAT BACK,ASSY,24"W-28"W,15"H,W/MOUNTING HARDWARE, TB3	1
C1	SET124562	SEAT BACK,ASSY,24"W-28"W,17"H,W/MOUNTING HARDWARE, TB3	1
D1	SET124563	SEAT BACK,ASSY,24"W-28"W,19"H,W/MOUNTING HARDWARE, TB3	1
E1	SET124564	SEAT BACK,ASSY,24"W-28"W,21"H,W/MOUNTING HARDWARE, TB3	1
F1	SCR8120002	SCREW,BHSCS,BLACK ZINC,M6-1.0 X 10MM,W/NYLON PATCH	10
G1	HDW124709	REUSABLE FASTENER,HOOK,2" X 3	2
H1	HDW124712	REUSABLE FASTENER,HOOK,1 1/2" X 1"	6
I1	HDW124710	REUSABLE FASTENER,HOOK,2" X 2",	2
J1	WASSTND1097	WASHER, FLAT, 6.4 ID X 12 OD X 1.6 THK, ISO 7089-6-200 HV, BZ	10

5.3. Back Pans - Sport & TRU-Comfort 2



Ref	Back Pan Size	For use on units with overall back Heights of:	
		Static/Tilt Backs <sup>1</sup>	Recline Backs
A1	28-32"W x 13"H	16" or 17"	19" or 20"
B1	28-32"W x 15"H	18" or 19"	21" or 22"
C1	28-32"W x 17"H	20" or 21"	23" or 24"
D1	28-32"W x 19"H	22" or 23"	25" or 26"
E1	28-32"W x 21"H	24" or 25"	27" or 28"

<sup>1</sup> The sizes represent a cushion to pan gap of 3" for even sized overall back heights and 4" for odd sized overall back heights.  
<sup>2</sup> The sizes represent a cushion to pan gap of 6" for odd sized overall back heights and 7" for even sized overall back heights.

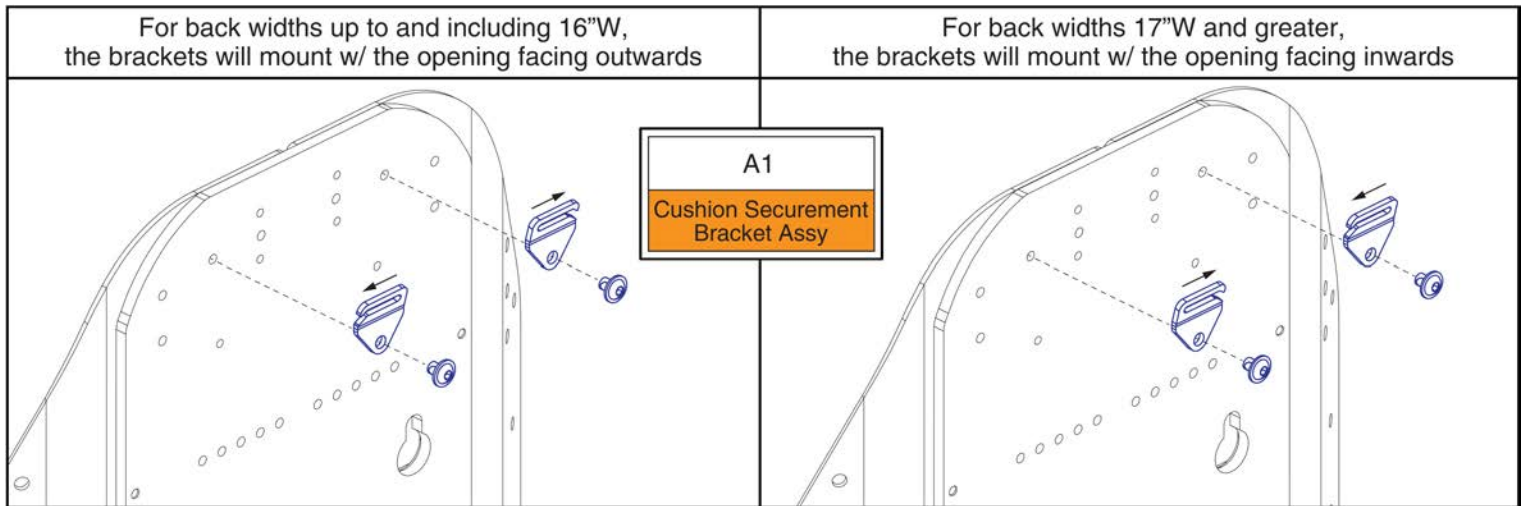


**Back Pan, 28"-32"W, No Cushion, TB3**



Item	Part No.	Name	Qty
A1		SEAT BACK,ASSY,28"W-32"W,13"H,W/MOUNTING HARDWARE,TB3	1
B1		SEAT BACK,ASSY,28"W-32"W,15"H,W/MOUNTING HARDWARE,TB3	1
C1		SEAT BACK,ASSY,28"W-32"W,17"H,W/MOUNTING HARDWARE,TB3	1
D1		SEAT BACK,ASSY,28"W-32"W,19"H,W/MOUNTING HARDWARE,TB3	1
E1	SET124569	SEAT BACK,ASSY,28"W-32"W,21"H,W/MOUNTING HARDWARE,TB3	1
F1	SCR8120002	SCREW,BHSCS,BLACK ZINC,M6-1.0 X 10MM,W/NYLON PATCH	10
G1	HDW124709	REUSABLE FASTENER,HOOK,2" X 3	2
H1	HDW124712	REUSABLE FASTENER,HOOK,1 1/2" X 1"	6
I1	HDW124710	REUSABLE FASTENER,HOOK,2" X 2",	2
J1	WASSTND1097	WASHER, FLAT, 6.4 ID X 12 OD X 1.6 THK, ISO 7089-6-200 HV, BZ	10

5.3. Back Pans - Sport & TRU-Comfort 2

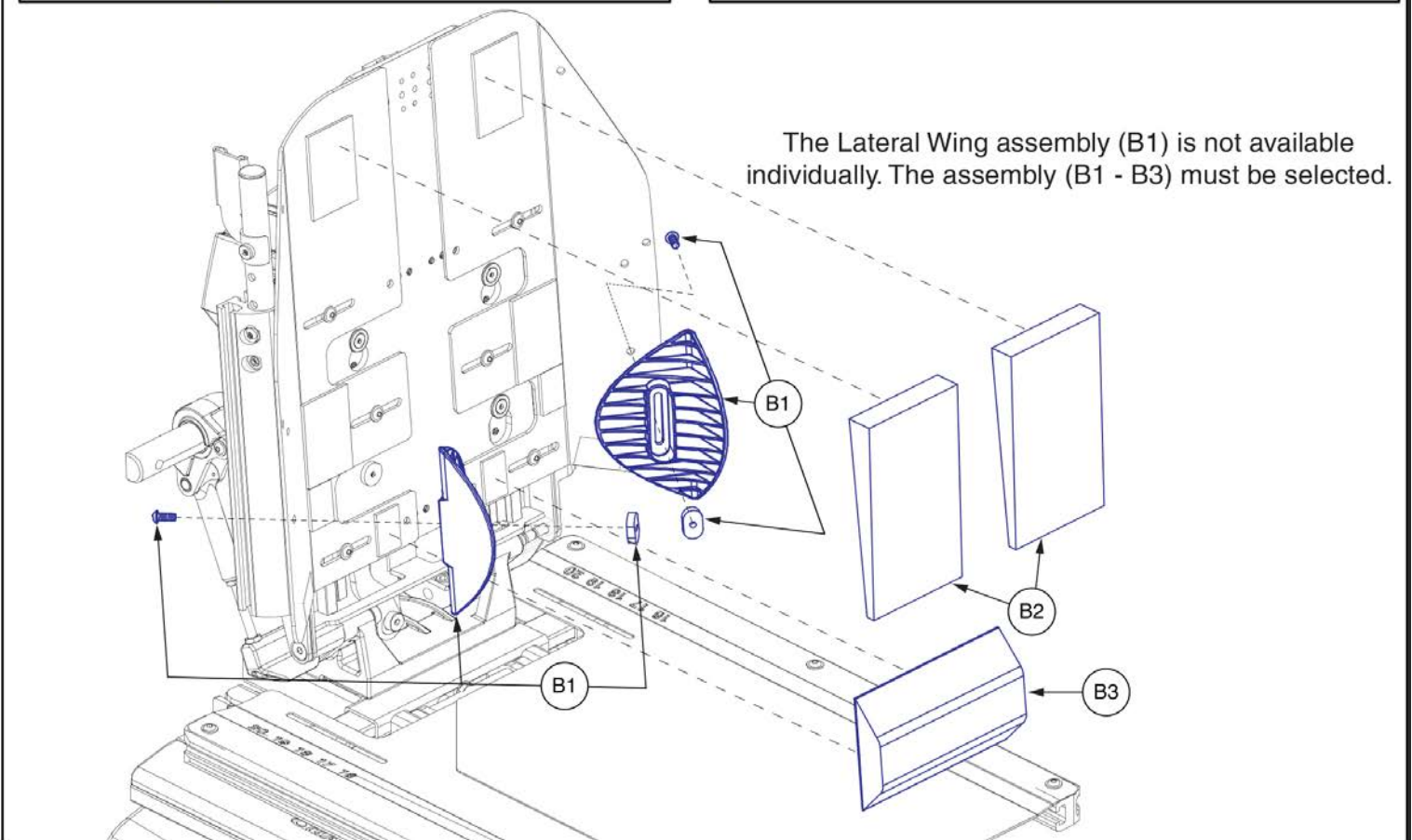
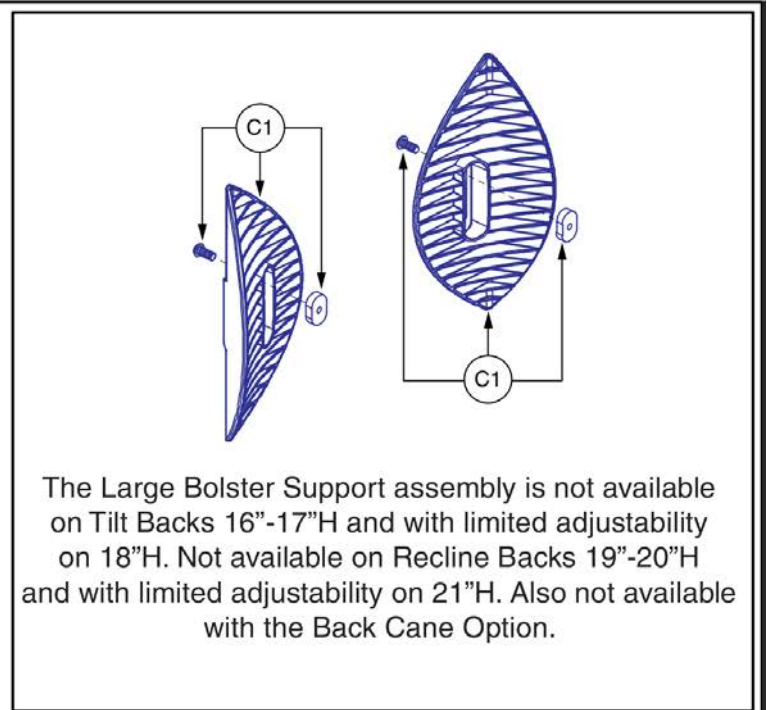
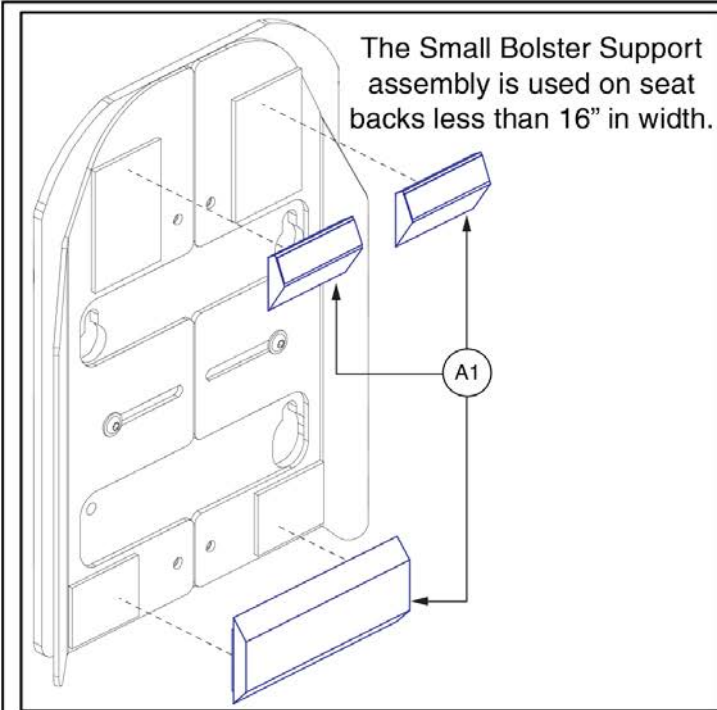


# TB3 Back Cushion Securement Brackets



Item	Part No.	Name	Qty
A1	MEC1907389	BACK CUSHION SECUREMENT BRACKET, REDESIGNED BACK, PAIR	1

5.4. Bolsters & Supports - TRU-Comfort 2 Back



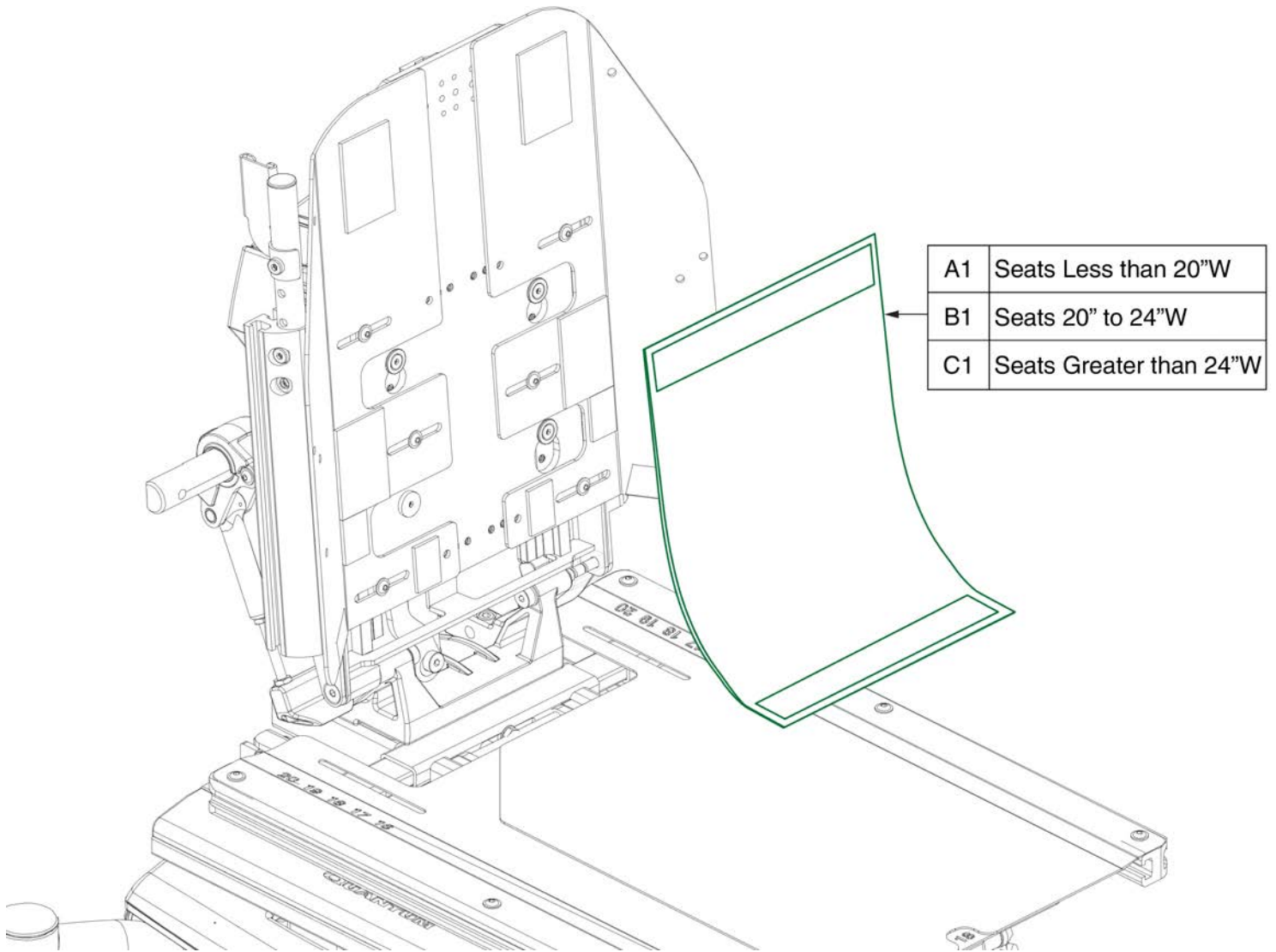


# TRU-Comfort 2 Bolsters and Supports, TB3



Item	Part No.	Name	Qty
A1	CUS131244	CUSHION,ASSY,BOLSTER SUPPORTS,SMALL,TC2 BACK	1
B1 - B3	CUS122169	CUSHION,ASSY,BOLSTER SUPPORTS,TRU-COMFORT 2 BACK	1
B1	SET122294	LATERAL WING,ASSY,TRU-BALANCE 3	2
B2	DWR1306D059	THORACIC SUPPORT,TRU-COMFORT SEAT,LEFT/RIGHT,D-1306-059	2
B3	DWR1306D014	CUSHION,LUMBAR SUPPORT,TRU-COMFORT SEAT,D-1306-014	1
C1	SET123465	LATERAL WING,ASSY,LARGE,TRU-BALANCE 3	2

5.5. Back Privacy Flaps



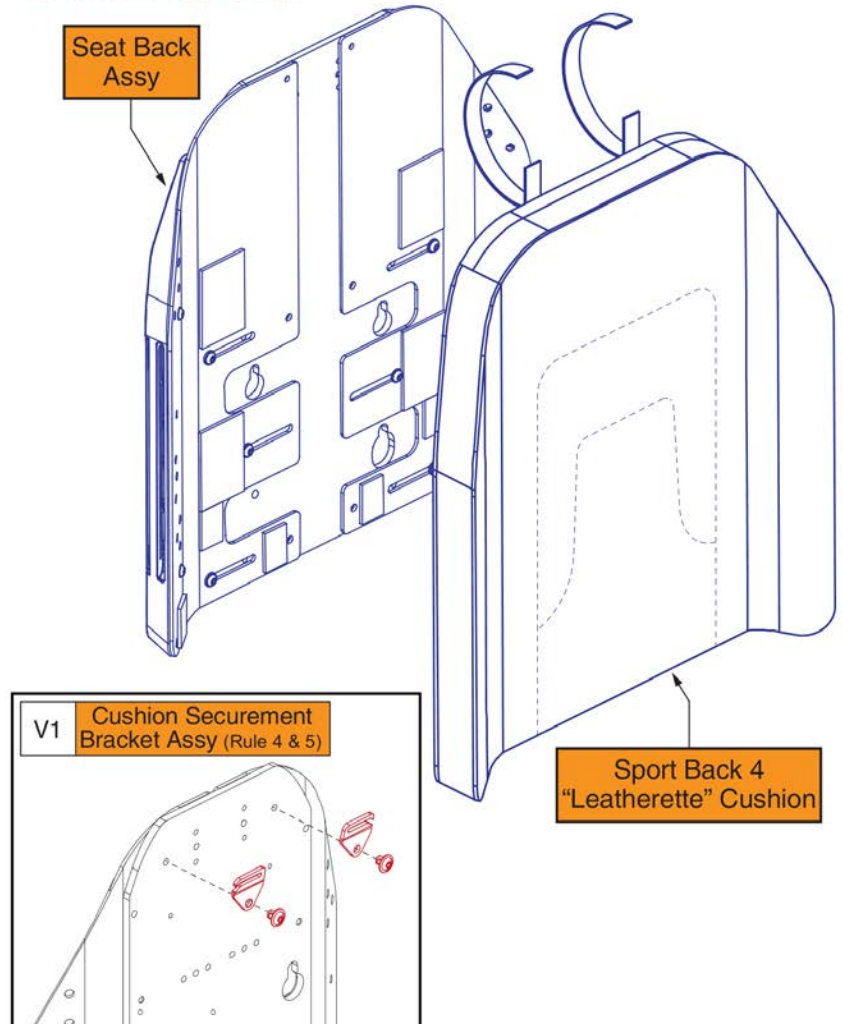
Item	Part No.	Name	Qty
A1	DWR1044E456B	SEAT BACK,PRIVACY FLAP,9.75"W,SYNERGY STANDARD BACK,E-1044-456	1
B1	DWR1044E456A	SEAT BACK,PRIVACY FLAP,12.75"W,SYNERGY STANDARD BACK,E-1044-456	1
C1	FAB140123	SEAT BACK,PRIVACY FLAP,20.75"W,TRU-BALANCE 3	1

6.1. Complete Sport Back 4 Assy's

14" - 16" W Sport Back 4 Assy's (See All Rules)				
Ref	Actual Back/ Cushion Size		Overall Seat Back Heights	
	Width	Height	Static/Tilt Backs (Rule 2)	Recline Backs (Rule 3)
A1	14"	13"	16" or 17"	19" or 20"
B1	14"	15"	18" or 19"	21" or 22"
C1	14"	17"	20" or 21"	23" or 24"
D1	14"	19"	22" or 23"	25" or 26"
E1	14"	21"	24" or 25"	27" or 28"
F1	14"	23"	26" or 27"	29" or 30"
G1	14"	25"	28" or 29"	31" or 32"
H1	15"	13"	16" or 17"	19" or 20"
I1	15"	15"	18" or 19"	21" or 22"
J1	15"	17"	20" or 21"	23" or 24"
K1	15"	19"	22" or 23"	25" or 26"
L1	15"	21"	24" or 25"	27" or 28"
M1	15"	23"	26" or 27"	29" or 30"
N1	15"	25"	28" or 29"	31" or 32"
O1	16"	13"	16" or 17"	19" or 20"
P1	16"	15"	18" or 19"	21" or 22"
Q1	16"	17"	20" or 21"	23" or 24"
R1	16"	19"	22" or 23"	25" or 26"
S1	16"	21"	24" or 25"	27" or 28"
T1	16"	23"	26" or 27"	29" or 30"
U1	16"	25"	28" or 29"	31" or 32"

Rules:

1. The listed assy's include the Seat Back Assy & the Sport Back 4 Cushion.
2. The sizes represent a cushion to pan gap of 3" for even sized overall back heights and 4" for odd sized overall back heights.
3. The sizes represent a cushion to pan gap of 6" for odd sized overall back heights and 7" for even sized overall back heights.
4. The Cushion Securement Bracket Assy (V1) for 14"-16"W Backs will mount with the openings facing outwards.
5. The Securement Brackets (V1) are not included with the assy and must be selected separately.



Item	Part No.	Name	Qty
A1	SET1902545	SEAT BACK,ASSY,14"W,14"W-16"W,13"H,SPORT BACK 4,TRU BALANCE 3	1
B1	SET1902560	SEAT BACK,ASSY,14"W,14"W-16"W,15"H,SPORT BACK 4,TRU BALANCE 3	1
C1	SET1902580	SEAT BACK,ASSY,14"W,14"W-16"W,17"H,SPORT BACK 4,TRU BALANCE 3	1
D1	SET1902609	SEAT BACK,ASSY,14"W,14"W-16"W,19"H,SPORT BACK 4,TRU BALANCE 3	1
E1	SET1902622	SEAT BACK,ASSY,14"W,14"W-16"W,21"H,SPORT BACK 4,TRU BALANCE 3	1
F1	SET1902634	SEAT BACK,ASSY,14"W,14"W-16"W,23"H,SPORT BACK 4,TRU BALANCE 3	1
G1	SET1907181	SEAT BACK,ASSY,14"W,14"W-16"W,25"H,SPORT BACK 4,TRU BALANCE 3	1
H1	SET1902546	SEAT BACK,ASSY,15"W,14"W-16"W,13"H,SPORT BACK 4,TRU BALANCE 3	1
I1	SET1902567	SEAT BACK,ASSY,15"W,14"W-16"W,15"H,SPORT BACK 4,TRU BALANCE 3	1
J1	SET1902587	SEAT BACK,ASSY,15"W,14"W-16"W,17"H,SPORT BACK 4,TRU BALANCE 3	1
K1	SET1902610	SEAT BACK,ASSY,15"W,14"W-16"W,19"H,SPORT BACK 4,TRU BALANCE 3	1
L1	SET1902623	SEAT BACK,ASSY,15"W,14"W-16"W,21"H,SPORT BACK 4,TRU BALANCE 3	1
M1	SET1902635	SEAT BACK,ASSY,15"W,14"W-16"W,23"H,SPORT BACK 4,TRU BALANCE 3	1
N1	SET1907172	SEAT BACK,ASSY,15"W,14"W-16"W,25"H,SPORT BACK 4,TRU BALANCE 3	1
O1	SET1908873	SEAT BACK,ASSY,16"W,14"W-16"W,13"H,SPORT BACK 4,TRU BALANCE 3	1
P1	SET1908874	SEAT BACK,ASSY,16"W,14"W-16"W,15"H,SPORT BACK 4,TRU BALANCE 3	1
Q1	SET1908875	SEAT BACK,ASSY,16"W,14"W-16"W,17"H,SPORT BACK 4,TRU BALANCE 3	1
R1	SET1908876	SEAT BACK,ASSY,16"W,14"W-16"W,19"H,SPORT BACK 4,TRU BALANCE 3	1
S1	SET1908877	SEAT BACK,ASSY,16"W,14"W-16"W,21"H,SPORT BACK 4,TRU BALANCE 3	1
T1	SET1908878	SEAT BACK,ASSY,16"W,14"W-16"W,23"H,SPORT BACK 4,TRU BALANCE 3	1
U1	SET1908879	SEAT BACK,ASSY,16"W,14"W-16"W,25"H,SPORT BACK 4,TRU BALANCE 3	1
V1	MEC1907389	BACK CUSHION SECUREMENT BRACKET,REDESIGNED BACK,PAIR	1

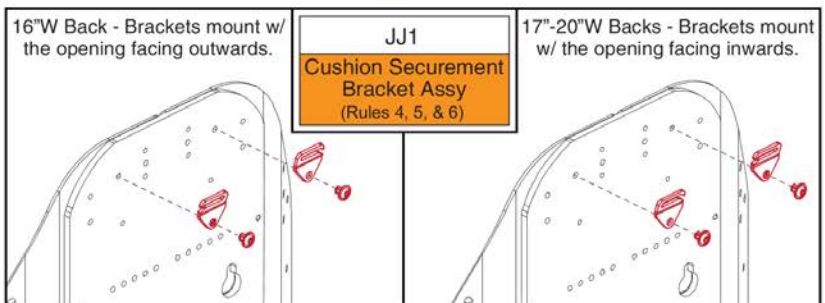
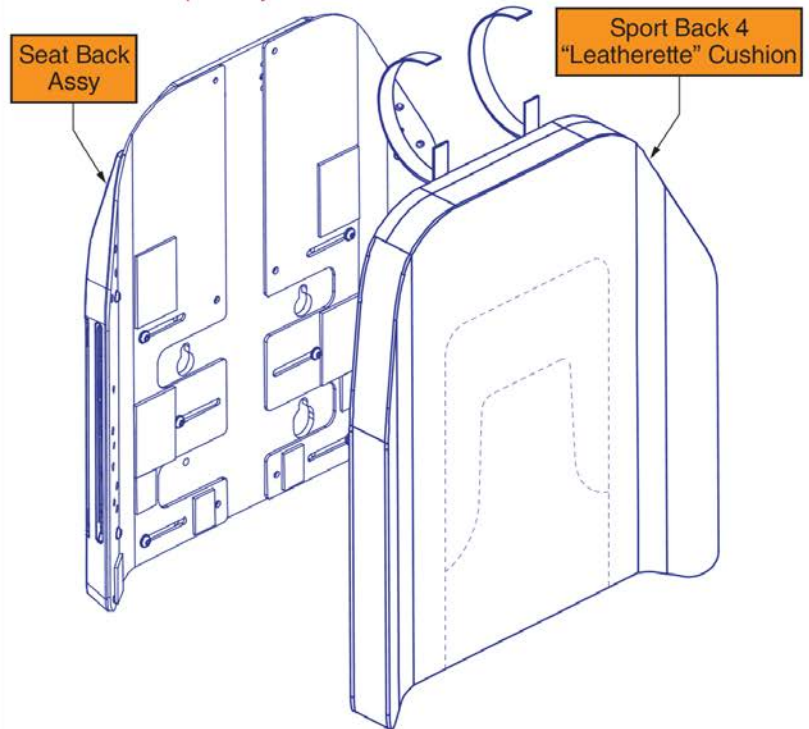
6.1. Complete Sport Back 4 Assy's

16" - 20" W Sport Back 4 Assy's (See All Rules)				
Ref	Actual Back/ Cushion Size		Overall Seat Back Heights	
	Width	Height	Static/Tilt Backs (Rule 2)	Recline Backs (Rule 3)
A1	16"	13"	16" or 17"	19" or 20"
B1	16"	15"	18" or 19"	21" or 22"
C1	16"	17"	20" or 21"	23" or 24"
D1	16"	19"	22" or 23"	25" or 26"
E1	16"	21"	24" or 25"	27" or 28"
F1	16"	23"	26" or 27"	29" or 30"
G1	16"	25"	28" or 29"	31" or 32"
H1	17"	13"	16" or 17"	19" or 20"
I1	17"	15"	18" or 19"	21" or 22"
J1	17"	17"	20" or 21"	23" or 24"
K1	17"	19"	22" or 23"	25" or 26"
L1	17"	21"	24" or 25"	27" or 28"
M1	17"	23"	26" or 27"	29" or 30"
N1	17"	25"	28" or 29"	31" or 32"
O1	18"	13"	16" or 17"	19" or 20"
P1	18"	15"	18" or 19"	21" or 22"
Q1	18"	17"	20" or 21"	23" or 24"
R1	18"	19"	22" or 23"	25" or 26"
S1	18"	21"	24" or 25"	27" or 28"
T1	18"	23"	26" or 27"	29" or 30"
U1	18"	25"	28" or 29"	31" or 32"
V1	19"	13"	16" or 17"	19" or 20"
W1	19"	15"	18" or 19"	21" or 22"
X1	19"	17"	20" or 21"	23" or 24"
Y1	19"	19"	22" or 23"	25" or 26"
Z1	19"	21"	24" or 25"	27" or 28"
AA1	19"	23"	26" or 27"	29" or 30"
BB1	19"	25"	28" or 29"	31" or 32"
CC1	20"	13"	16" or 17"	19" or 20"
DD1	20"	15"	18" or 19"	21" or 22"
EE1	20"	17"	20" or 21"	23" or 24"
FF1	20"	19"	22" or 23"	25" or 26"

16" - 20" W Sport Back 4 Assy's (See All Rules)				
Ref	Actual Back/ Cushion Size		Overall Seat Back Heights	
	Width	Height	Static/Tilt Backs (Rule 2)	Recline Backs (Rule 3)
GG1	20"	21"	24" or 25"	27" or 28"
HH1	20"	23"	26" or 27"	29" or 30"
II1	20"	25"	28" or 29"	31" or 32"

Rules:

1. The listed assy's include the Seat Back Assy & the Sport Back 4 Cushion.
2. The sizes represent a cushion to pan gap of 3" for even sized overall back heights and 4" for odd sized overall back heights.
3. The sizes represent a cushion to pan gap of 6" for odd sized overall back heights and 7" for even sized overall back heights.
4. The Cushion Securement Bracket Assy (JJ1) for 16"W Backs will mount with the openings facing outwards.
5. The Cushion Securement Bracket Assy (JJ1) for 17"-20"W Backs will mount with the openings facing inwards.
6. The Securement Brackets (JJ1) are not included with the assy and must be selected separately.



Item	Part No.	Name	Qty
A1	SET1902549	SEAT BACK,ASSY,16"W,16"W-20"W,13"H,SPORT BACK 4,TRU BALANCE 3	1
B1	SET1902570	SEAT BACK,ASSY,16"W,16"W-20"W,15"H,SPORT BACK 4,TRU BALANCE 3	1
C1	SET1902600	SEAT BACK,ASSY,16"W,16"W-20"W,17"H,SPORT BACK 4,TRU BALANCE 3	1
D1	SET1902613	SEAT BACK,ASSY,16"W,16"W-20"W,19"H,SPORT BACK 4,TRU BALANCE 3	1
E1	SET1902625	SEAT BACK,ASSY,16"W,16"W-20"W,21"H,SPORT BACK 4,TRU BALANCE 3	1
F1	SET1902637	SEAT BACK,ASSY,16"W,16"W-20"W,23"H,SPORT BACK 4,TRU BALANCE 3	1
G1	SET1907173	SEAT BACK,ASSY,16"W,16"W-20"W,25"H,SPORT BACK 4,TRU BALANCE 3	1
H1	SET1902551	SEAT BACK,ASSY,17"W,16"W-20"W,13"H,SPORT BACK 4,TRU BALANCE 3	1
I1	SET1902571	SEAT BACK,ASSY,17"W,16"W-20"W,15"H,SPORT BACK 4,TRU BALANCE 3	1
J1	SET1902601	SEAT BACK,ASSY,17"W,16"W-20"W,17"H,SPORT BACK 4,TRU BALANCE 3	1
K1	SET1902614	SEAT BACK,ASSY,17"W,16"W-20"W,19"H,SPORT BACK 4,TRU BALANCE 3	1
L1	SET1902626	SEAT BACK,ASSY,17"W,16"W-20"W,21"H,SPORT BACK 4,TRU BALANCE 3	1
M1	SET1902638	SEAT BACK,ASSY,17"W,16"W-20"W,23"H,SPORT BACK 4,TRU BALANCE 3	1
N1	SET1907174	SEAT BACK,ASSY,17"W,16"W-20"W,25"H,SPORT BACK 4,TRU BALANCE 3	1
O1	SET1908880	SEAT BACK,ASSY,18"W,16"W-20"W,13"H,SPORT BACK 4,TRU BALANCE 3	1
P1	SET1908881	SEAT BACK,ASSY,18"W,16"W-20"W,15"H,SPORT BACK 4,TRU BALANCE 3	1
Q1	SET1908882	SEAT BACK,ASSY,18"W,16"W-20"W,17"H,SPORT BACK 4,TRU BALANCE 3	1
R1	SET1908883	SEAT BACK,ASSY,18"W,16"W-20"W,19"H,SPORT BACK 4,TRU BALANCE 3	1
S1	SET1908884	SEAT BACK,ASSY,18"W,16"W-20"W,21"H,SPORT BACK 4,TRU BALANCE 3	1
T1	SET1908885	SEAT BACK,ASSY,18"W,16"W-20"W,23"H,SPORT BACK 4,TRU BALANCE 3	1
U1	SET1908886	SEAT BACK,ASSY,18"W,16"W-20"W,25"H,SPORT BACK 4,TRU BALANCE 3	1
V1	SET1908887	SEAT BACK,ASSY,19"W,16"W-20"W,13"H,SPORT BACK 4,TRU BALANCE 3	1
W1	SET1908888	SEAT BACK,ASSY,19"W,16"W-20"W,15"H,SPORT BACK 4,TRU BALANCE 3	1
X1	SET1908889	SEAT BACK,ASSY,19"W,16"W-20"W,17"H,SPORT BACK 4,TRU BALANCE 3	1
Y1	SET1908890	SEAT BACK,ASSY,19"W,16"W-20"W,19"H,SPORT BACK 4,TRU BALANCE 3	1
Z1	SET1908891	SEAT BACK,ASSY,19"W,16"W-20"W,21"H,SPORT BACK 4,TRU BALANCE 3	1
AA1	SET1908892	SEAT BACK,ASSY,19"W,16"W-20"W,23"H,SPORT BACK 4,TRU BALANCE 3	1
BB1	SET1908893	SEAT BACK,ASSY,19"W,16"W-20"W,25"H,SPORT BACK 4,TRU BALANCE 3	1
CC1	SET1908894	SEAT BACK,ASSY,20"W,16"W-20"W,13"H,SPORT BACK 4,TRU BALANCE 3	1
DD1	SET1908895	SEAT BACK,ASSY,20"W,16"W-20"W,15"H,SPORT BACK 4,TRU BALANCE 3	1
EE1	SET1908896	SEAT BACK,ASSY,20"W,16"W-20"W,17"H,SPORT BACK 4,TRU BALANCE 3	1
FF1	SET1908897	SEAT BACK,ASSY,20"W,16"W-20"W,19"H,SPORT BACK 4,TRU BALANCE 3	1
GG1	SET1908898	SEAT BACK,ASSY,20"W,16"W-20"W,21"H,SPORT BACK 4,TRU BALANCE 3	1
HH1	SET1908899	SEAT BACK,ASSY,20"W,16"W-20"W,23"H,SPORT BACK 4,TRU BALANCE 3	1
II1	SET1908900	SEAT BACK,ASSY,20"W,16"W-20"W,25"H,SPORT BACK 4,TRU BALANCE 3	1
JJ1	MEC1907389	BACK CUSHION SECUREMENT BRACKET,REDESIGNED BACK,PAIR	1

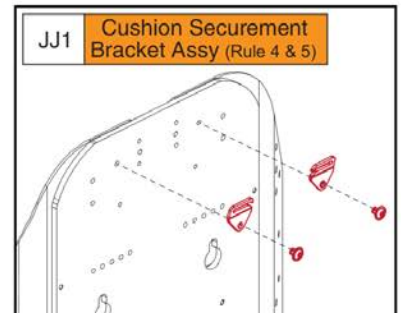
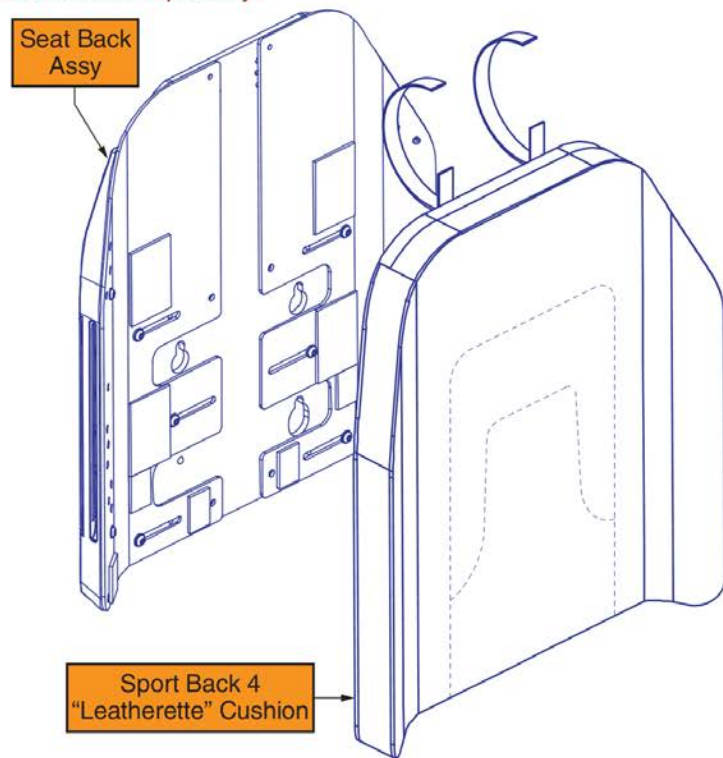
6.1. Complete Sport Back 4 Assy's

18" - 22" W Sport Back 4 Assy's (See All Rules)				
Ref	Actual Back/ Cushion Size		Overall Seat Back Heights	
	Width	Height	Static/Tilt Backs (Rule 2)	Recline Backs (Rule 3)
A1	18"	13"	16" or 17"	19" or 20"
B1	18"	15"	18" or 19"	21" or 22"
C1	18"	17"	20" or 21"	23" or 24"
D1	18"	19"	22" or 23"	25" or 26"
E1	18"	21"	24" or 25"	27" or 28"
F1	18"	23"	26" or 27"	29" or 30"
G1	18"	25"	28" or 29"	31" or 32"
H1	19"	13"	16" or 17"	19" or 20"
I1	19"	15"	18" or 19"	21" or 22"
J1	19"	17"	20" or 21"	23" or 24"
K1	19"	19"	22" or 23"	25" or 26"
L1	19"	21"	24" or 25"	27" or 28"
M1	19"	23"	26" or 27"	29" or 30"
N1	19"	25"	28" or 29"	31" or 32"
O1	20"	13"	16" or 17"	19" or 20"
P1	20"	15"	18" or 19"	21" or 22"
Q1	20"	17"	20" or 21"	23" or 24"
R1	20"	19"	22" or 23"	25" or 26"
S1	20"	21"	24" or 25"	27" or 28"
T1	20"	23"	26" or 27"	29" or 30"
U1	20"	25"	28" or 29"	31" or 32"
V1	21"	13"	16" or 17"	19" or 20"
W1	21"	15"	18" or 19"	21" or 22"
X1	21"	17"	20" or 21"	23" or 24"
Y1	21"	19"	22" or 23"	25" or 26"
Z1	21"	21"	24" or 25"	27" or 28"
AA1	21"	23"	26" or 27"	29" or 30"
BB1	21"	25"	28" or 29"	31" or 32"
CC1	22"	13"	16" or 17"	19" or 20"
DD1	22"	15"	18" or 19"	21" or 22"
EE1	22"	17"	20" or 21"	23" or 24"
FF1	22"	19"	22" or 23"	25" or 26"

18" - 22" W Sport Back 4 Assy's (See All Rules)				
Ref	Actual Back/ Cushion Size		Overall Seat Back Heights	
	Width	Height	Static/Tilt Backs (Rule 2)	Recline Backs (Rule 3)
GG1	22"	21"	24" or 25"	27" or 28"
HH1	22"	23"	26" or 27"	29" or 30"
II1	22"	25"	28" or 29"	31" or 32"

Rules:

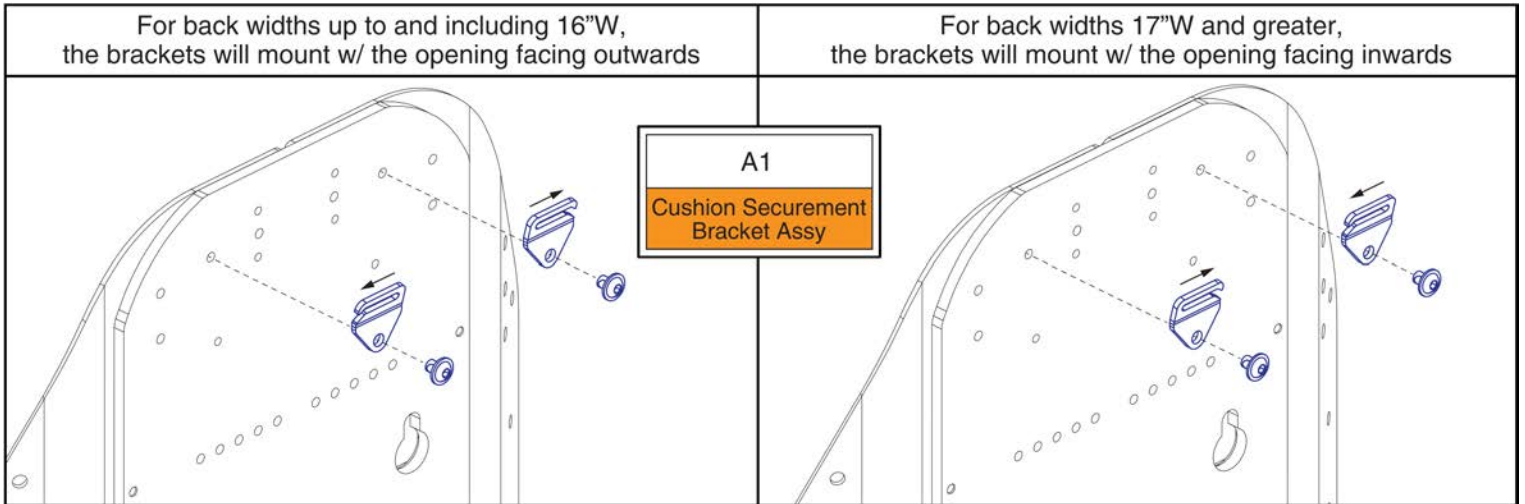
1. The listed assy's include the Seat Back Assy & the Sport Back 4 Cushion.
2. The sizes represent a cushion to pan gap of 3" for even sized overall back heights and 4" for odd sized overall back heights.
3. The sizes represent a cushion to pan gap of 6" for odd sized overall back heights and 7" for even sized overall back heights.
4. The Cushion Securement Bracket Assy (JJ1) for 18"-22"W Backs will mount with the openings facing inwards.
5. The Securement Brackets (JJ1) are not included with the assy and must be selected separately.





Item	Part No.	Name	Qty
A1	SET1902553	SEAT BACK,ASSY,18"W,18"W-22"W,13"H,SPORT BACK 4,TRU BALANCE 3	1
B1	SET1902574	SEAT BACK,ASSY,18"W,18"W-22"W,15"H,SPORT BACK 4,TRU BALANCE 3	1
C1	SET1902603	SEAT BACK,ASSY,18"W,18"W-22"W,17"H,SPORT BACK 4,TRU BALANCE 3	1
D1	SET1902616	SEAT BACK,ASSY,18"W,18"W-22"W,19"H,SPORT BACK 4,TRU BALANCE 3	1
E1	SET1902628	SEAT BACK,ASSY,18"W,18"W-22"W,21"H,SPORT BACK 4,TRU BALANCE 3	1
F1	SET1902640	SEAT BACK,ASSY,18"W,18"W-22"W,23"H,SPORT BACK 4,TRU BALANCE 3	1
G1	SET1907175	SEAT BACK,ASSY,18"W,18"W-22"W,25"H,SPORT BACK 4,TRU BALANCE 3	1
H1	SET1902554	SEAT BACK,ASSY,19"W,18"W-22"W,13"H,SPORT BACK 4,TRU BALANCE 3	1
I1	SET1902575	SEAT BACK,ASSY,19"W,18"W-22"W,15"H,SPORT BACK 4,TRU BALANCE 3	1
J1	SET1902604	SEAT BACK,ASSY,19"W,18"W-22"W,17"H,SPORT BACK 4,TRU BALANCE 3	1
K1	SET1902617	SEAT BACK,ASSY,19"W,18"W-22"W,19"H,SPORT BACK 4,TRU BALANCE 3	1
L1	SET1902629	SEAT BACK,ASSY,19"W,18"W-22"W,21"H,SPORT BACK 4,TRU BALANCE 3	1
M1	SET1902641	SEAT BACK,ASSY,19"W,18"W-22"W,23"H,SPORT BACK 4,TRU BALANCE 3	1
N1	SET1907176	SEAT BACK,ASSY,19"W,18"W-22"W,25"H,SPORT BACK 4,TRU BALANCE 3	1
O1	SET1902555	SEAT BACK,ASSY,20"W,18"W-22"W,13"H,SPORT BACK 4,TRU BALANCE 3	1
P1	SET1902576	SEAT BACK,ASSY,20"W,18"W-22"W,15"H,SPORT BACK 4,TRU BALANCE 3	1
Q1	SET1902605	SEAT BACK,ASSY,20"W,18"W-22"W,17"H,SPORT BACK 4,TRU BALANCE 3	1
R1	SET1902618	SEAT BACK,ASSY,20"W,18"W-22"W,19"H,SPORT BACK 4,TRU BALANCE 3	1
S1	SET1902630	SEAT BACK,ASSY,20"W,18"W-22"W,21"H,SPORT BACK 4,TRU BALANCE 3	1
T1	SET1902643	SEAT BACK,ASSY,20"W,18"W-22"W,23"H,SPORT BACK 4,TRU BALANCE 3	1
U1	SET1902866	SEAT BACK,ASSY,20"W,18"W-22"W,25"H,SPORT BACK 4,TRU BALANCE 3	1
V1	SET1902556	SEAT BACK,ASSY,21"W,18"W-22"W,13"H,SPORT BACK 4,TRU BALANCE 3	1
W1	SET1902577	SEAT BACK,ASSY,21"W,18"W-22"W,15"H,SPORT BACK 4,TRU BALANCE 3	1
X1	SET1902606	SEAT BACK,ASSY,21"W,18"W-22"W,17"H,SPORT BACK 4,TRU BALANCE 3	1
Y1	SET1902619	SEAT BACK,ASSY,21"W,18"W-22"W,19"H,SPORT BACK 4,TRU BALANCE 3	1
Z1	SET1902631	SEAT BACK,ASSY,21"W,18"W-22"W,21"H,SPORT BACK 4,TRU BALANCE 3	1
AA1	SET1902644	SEAT BACK,ASSY,21"W,18"W-22"W,23"H,SPORT BACK 4,TRU BALANCE 3	1
BB1	SET1902858	SEAT BACK,ASSY,21"W,18"W-22"W,25"H,SPORT BACK 4,TRU BALANCE 3	1
CC1	SET1908901	SEAT BACK,ASSY,22"W,18"W-22"W,13"H,SPORT BACK 4,TRU BALANCE 3	1
DD1	SET1908902	SEAT BACK,ASSY,22"W,18"W-22"W,15"H,SPORT BACK 4,TRU BALANCE 3	1
EE1	SET1908903	SEAT BACK,ASSY,22"W,18"W-22"W,17"H,SPORT BACK 4,TRU BALANCE 3	1
FF1	SET1908904	SEAT BACK,ASSY,22"W,18"W-22"W,19"H,SPORT BACK 4,TRU BALANCE 3	1
GG1	SET1908905	SEAT BACK,ASSY,22"W,18"W-22"W,21"H,SPORT BACK 4,TRU BALANCE 3	1
HH1	SET1902645	SEAT BACK,ASSY,22"W,18"W-22"W,23"H,SPORT BACK 4,TRU BALANCE 3	1
II1	SET1902859	SEAT BACK,ASSY,22"W,18"W-22"W,25"H,SPORT BACK 4,TRU BALANCE 3	1
JJ1	MEC1907389	BACK CUSHION SECUREMENT BRACKET,REDESIGNED BACK,PAIR	1

6.1. Complete Sport Back 4 Assy's



**TB3 Back Cushion Securement Brackets**



Item	Part No.	Name	Qty
A1	MEC1907389	BACK CUSHION SECUREMENT BRACKET,REDESIGNED BACK,PAIR	1

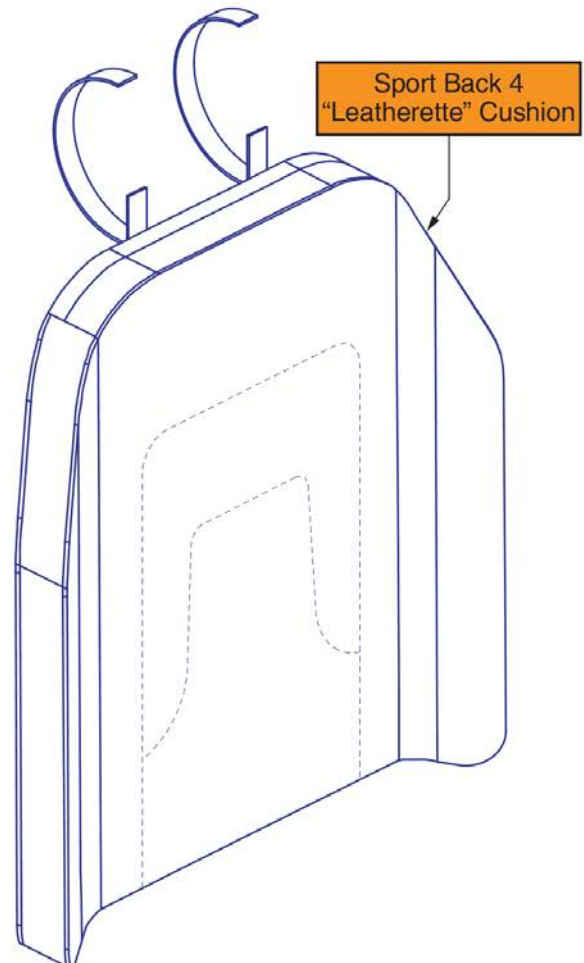
6.2. Sport Back 4 Cushions

14" - 18" W Sport Back 4 Cushions				
Ref	Actual Back/ Cushion Size		For use on units with overall back Heights of:	
	Width	Height	Static/Tilt Backs <sup>1</sup>	Recline Backs <sup>2</sup>
A1	14"	13"	16" or 17"	19" or 20"
B1	14"	15"	18" or 19"	21" or 22"
C1	14"	17"	20" or 21"	23" or 24"
D1	14"	19"	22" or 23"	25" or 26"
E1	14"	21"	24" or 25"	27" or 28"
F1	14"	23"	26" or 27"	29" or 30"
G1	14"	25"	28" or 29"	31" or 32"
H1	15"	13"	16" or 17"	19" or 20"
I1	15"	15"	18" or 19"	21" or 22"
J1	15"	17"	20" or 21"	23" or 24"
K1	15"	19"	22" or 23"	25" or 26"
L1	15"	21"	24" or 25"	27" or 28"
M1	15"	23"	26" or 27"	29" or 30"
N1	15"	25"	28" or 29"	31" or 32"
O1	16"	13"	16" or 17"	19" or 20"
P1	16"	15"	18" or 19"	21" or 22"
Q1	16"	17"	20" or 21"	23" or 24"
R1	16"	19"	22" or 23"	25" or 26"
S1	16"	21"	24" or 25"	27" or 28"
T1	16"	23"	26" or 27"	29" or 30"
U1	16"	25"	28" or 29"	31" or 32"
V1	17"	13"	16" or 17"	19" or 20"
W1	17"	15"	18" or 19"	21" or 22"
X1	17"	17"	20" or 21"	23" or 24"
Y1	17"	19"	22" or 23"	25" or 26"
Z1	17"	21"	24" or 25"	27" or 28"
AA1	17"	23"	26" or 27"	29" or 30"
BB1	17"	25"	28" or 29"	31" or 32"
CC1	18"	13"	16" or 17"	19" or 20"
DD1	18"	15"	18" or 19"	21" or 22"

14" - 18" W Sport Back 4 Cushions				
Ref	Actual Back/ Cushion Size		For use on units with overall back Heights of:	
	Width	Height	Static/Tilt Backs <sup>1</sup>	Recline Backs <sup>2</sup>
EE1	18"	17"	20" or 21"	23" or 24"
FF1	18"	19"	22" or 23"	25" or 26"
GG1	18"	21"	24" or 25"	27" or 28"
HH1	18"	23"	26" or 27"	29" or 30"
II1	18"	25"	28" or 29"	31" or 32"

These assemblies include the Complete Sport Back 4 Cushion. The outer cover is available separately.

1. The sizes represent a cushion to pan gap of 3" for even sized overall back heights and 4" for odd sized overall back heights.
2. The sizes represent a cushion to pan gap of 6" for odd sized overall back heights and 7" for even sized overall back heights



# Sport Back 4 Cushions, 14"-18"W



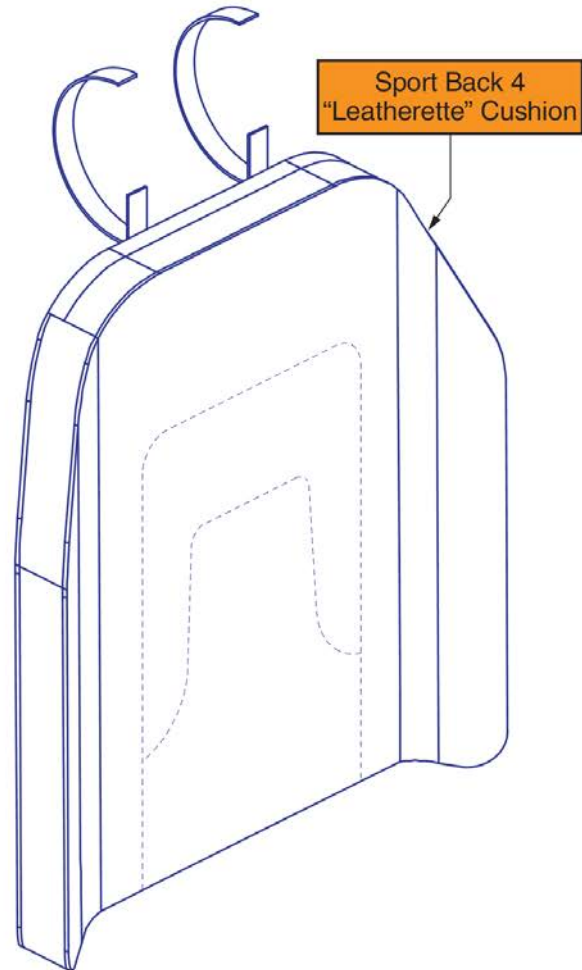
Item	Part No.	Name	Qty
A1	QU-SB4-1413	QUANTUM,CUSHION,ASSY,BACK,14"W,13"H, SPORT BACK 4, LEATHERETTE	1
B1	QU-SB4-1415	QUANTUM,CUSHION,ASSY,BACK,14"W,15"H, SPORT BACK 4, LEATHERETTE	1
C1	QU-SB4-1417	QUANTUM,CUSHION,ASSY,BACK,14"W,17"H, SPORT BACK 4, LEATHERETTE	1
D1	QU-SB4-1419	QUANTUM,CUSHION,ASSY,BACK,14"W,19"H, SPORT BACK 4, LEATHERETTE	1
E1	QU-SB4-1421	QUANTUM,CUSHION,ASSY,BACK,14"W,21"H, SPORT BACK 4, LEATHERETTE	1
F1	QU-SB4-1423	QUANTUM,CUSHION,ASSY,BACK,14"W,23"H, SPORT BACK 4, LEATHERETTE	1
G1	QU-SB4-1425	QUANTUM,CUSHION,ASSY,BACK,14"W,25"H, SPORT BACK 4, LEATHERETTE	1
H1	QU-SB4-1513	QUANTUM,CUSHION,ASSY,BACK,15"W,13"H, SPORT BACK 4, LEATHERETTE	1
I1	QU-SB4-1515	QUANTUM,CUSHION,ASSY,BACK,15"W,15"H, SPORT BACK 4, LEATHERETTE	1
J1	QU-SB4-1517	QUANTUM,CUSHION,ASSY,BACK,15"W,17"H, SPORT BACK 4, LEATHERETTE	1
K1	QU-SB4-1519	QUANTUM,CUSHION,ASSY,BACK,15"W,19"H, SPORT BACK 4, LEATHERETTE	1
L1	QU-SB4-1521	QUANTUM,CUSHION,ASSY,BACK,15"W,21"H, SPORT BACK 4, LEATHERETTE	1
M1	QU-SB4-1523	QUANTUM,CUSHION,ASSY,BACK,15"W,23"H, SPORT BACK 4, LEATHERETTE	1
N1	QU-SB4-1525	QUANTUM,CUSHION,ASSY,BACK,15"W,25"H, SPORT BACK 4, LEATHERETTE	1
O1	QU-SB4-1613	QUANTUM,CUSHION,ASSY,BACK,16"W,13"H, SPORT BACK 4, LEATHERETTE	1
P1	QU-SB4-1615	QUANTUM,CUSHION,ASSY,BACK,16"W,15"H, SPORT BACK 4, LEATHERETTE	1
Q1	QU-SB4-1617	QUANTUM,CUSHION,ASSY,BACK,16"W,17"H, SPORT BACK 4, LEATHERETTE	1
R1	QU-SB4-1619	QUANTUM,CUSHION,ASSY,BACK,16"W,19"H, SPORT BACK 4, LEATHERETTE	1
S1	QU-SB4-1621	QUANTUM,CUSHION,ASSY,BACK,16"W,21"H, SPORT BACK 4, LEATHERETTE	1
T1	QU-SB4-1623	QUANTUM,CUSHION,ASSY,BACK,16"W,23"H, SPORT BACK 4, LEATHERETTE	1
U1	QU-SB4-1625	QUANTUM,CUSHION,ASSY,BACK,16"W,25"H, SPORT BACK 4, LEATHERETTE	1
V1	QU-SB4-1713	QUANTUM,CUSHION,ASSY,BACK,17"W,13"H, SPORT BACK 4, LEATHERETTE	1
W1	QU-SB4-1715	QUANTUM,CUSHION,ASSY,BACK,17"W,15"H, SPORT BACK 4, LEATHERETTE	1
X1	QU-SB4-1717	QUANTUM,CUSHION,ASSY,BACK,17"W,17"H, SPORT BACK 4, LEATHERETTE	1
Y1	QU-SB4-1719	QUANTUM,CUSHION,ASSY,BACK,17"W,19"H, SPORT BACK 4, LEATHERETTE	1
Z1	QU-SB4-1721	QUANTUM,CUSHION,ASSY,BACK,17"W,21"H, SPORT BACK 4, LEATHERETTE	1
AA1	QU-SB4-1723	QUANTUM,CUSHION,ASSY,BACK,17"W,23"H, SPORT BACK 4, LEATHERETTE	1
BB1	QU-SB4-1725	QUANTUM,CUSHION,ASSY,BACK,17"W,25"H, SPORT BACK 4, LEATHERETTE	1
CC1	QU-SB4-1813	QUANTUM,CUSHION,ASSY,BACK,18"W,13"H, SPORT BACK 4, LEATHERETTE	1
DD1	QU-SB4-1815	QUANTUM,CUSHION,ASSY,BACK,18"W,15"H, SPORT BACK 4, LEATHERETTE	1
EE1	QU-SB4-1817	QUANTUM,CUSHION,ASSY,BACK,18"W,17"H, SPORT BACK 4, LEATHERETTE	1
FF1	QU-SB4-1819	QUANTUM,CUSHION,ASSY,BACK,18"W,19"H, SPORT BACK 4, LEATHERETTE	1
GG1	QU-SB4-1821	QUANTUM,CUSHION,ASSY,BACK,18"W,21"H, SPORT BACK 4, LEATHERETTE	1
HH1	QU-SB4-1823	QUANTUM,CUSHION,ASSY,BACK,18"W,23"H, SPORT BACK 4, LEATHERETTE	1
II1	QU-SB4-1825	QUANTUM,CUSHION,ASSY,BACK,18"W,25"H, SPORT BACK 4, LEATHERETTE	1

6.2. Sport Back 4 Cushions

19" - 22" W Sport Back 4 Cushions				
Ref	Actual Back/ Cushion Size		For use on units with overall back Heights of:	
	Width	Height	Static/Tilt Backs <sup>1</sup>	Recline Backs <sup>2</sup>
A1	19"	13"	16" or 17"	19" or 20"
B1	19"	15"	18" or 19"	21" or 22"
C1	19"	17"	20" or 21"	23" or 24"
D1	19"	19"	22" or 23"	25" or 26"
E1	19"	21"	24" or 25"	27" or 28"
F1	19"	23"	26" or 27"	29" or 30"
G1	19"	25"	28" or 29"	31" or 32"
H1	20"	13"	16" or 17"	19" or 20"
I1	20"	15"	18" or 19"	21" or 22"
J1	20"	17"	20" or 21"	23" or 24"
K1	20"	19"	22" or 23"	25" or 26"
L1	20"	21"	24" or 25"	27" or 28"
M1	20"	23"	26" or 27"	29" or 30"
N1	20"	25"	28" or 29"	31" or 32"
O1	21"	13"	16" or 17"	19" or 20"
P1	21"	15"	18" or 19"	21" or 22"
Q1	21"	17"	20" or 21"	23" or 24"
R1	21"	19"	22" or 23"	25" or 26"
S1	21"	21"	24" or 25"	27" or 28"
T1	21"	23"	26" or 27"	29" or 30"
U1	21"	25"	28" or 29"	31" or 32"
V1	22"	13"	16" or 17"	19" or 20"
W1	22"	15"	18" or 19"	21" or 22"
X1	22"	17"	20" or 21"	23" or 24"
Y1	22"	19"	22" or 23"	25" or 26"
Z1	22"	21"	24" or 25"	27" or 28"
AA1	22"	23"	26" or 27"	29" or 30"
BB1	22"	25"	28" or 29"	31" or 32"

These assemblies include the Complete Sport Back 4 Cushion. The outer cover is available separately.

1. The sizes represent a cushion to pan gap of 3" for even sized overall back heights and 4" for odd sized overall back heights.
2. The sizes represent a cushion to pan gap of 6" for odd sized overall back heights and 7" for even sized overall back heights



# Sport Back 4 Cushions, 19"-22"W



Item	Part No.	Name	Qty
A1	QU-SB4-1913	QUANTUM,CUSHION,ASSY,BACK,19"W,13"H, SPORT BACK 4, LEATHERETTE	1
B1	QU-SB4-1915	QUANTUM,CUSHION,ASSY,BACK,19"W,15"H, SPORT BACK 4, LEATHERETTE	1
C1	QU-SB4-1917	QUANTUM,CUSHION,ASSY,BACK,19"W,17"H, SPORT BACK 4, LEATHERETTE	1
D1	QU-SB4-1919	QUANTUM,CUSHION,ASSY,BACK,19"W,19"H, SPORT BACK 4, LEATHERETTE	1
E1	QU-SB4-1921	QUANTUM,CUSHION,ASSY,BACK,19"W,21"H, SPORT BACK 4, LEATHERETTE	1
F1	QU-SB4-1923	QUANTUM,CUSHION,ASSY,BACK,19"W,23"H, SPORT BACK 4, LEATHERETTE	1
G1	QU-SB4-1925	QUANTUM,CUSHION,ASSY,BACK,19"W,25"H, SPORT BACK 4, LEATHERETTE	1
H1	QU-SB4-2013	QUANTUM,CUSHION,ASSY,BACK,20"W,13"H, SPORT BACK 4, LEATHERETTE	1
I1	QU-SB4-2015	QUANTUM,CUSHION,ASSY,BACK,20"W,15"H, SPORT BACK 4, LEATHERETTE	1
J1	QU-SB4-2017	QUANTUM,CUSHION,ASSY,BACK,20"W,17"H, SPORT BACK 4, LEATHERETTE	1
K1	QU-SB4-2019	QUANTUM,CUSHION,ASSY,BACK,20"W,19"H, SPORT BACK 4, LEATHERETTE	1
L1	QU-SB4-2021	QUANTUM,CUSHION,ASSY,BACK,20"W,21"H, SPORT BACK 4, LEATHERETTE	1
M1	QU-SB4-2023	QUANTUM,CUSHION,ASSY,BACK,20"W,23"H, SPORT BACK 4, LEATHERETTE	1
N1	QU-SB4-2025	QUANTUM,CUSHION,ASSY,BACK,20"W,25"H, SPORT BACK 4, LEATHERETTE	1
O1	QU-SB4-2113	QUANTUM,CUSHION,ASSY,BACK,21"W,13"H, SPORT BACK 4, LEATHERETTE	1
P1	QU-SB4-2115	QUANTUM,CUSHION,ASSY,BACK,21"W,15"H, SPORT BACK 4, LEATHERETTE	1
Q1	QU-SB4-2117	QUANTUM,CUSHION,ASSY,BACK,21"W,17"H, SPORT BACK 4, LEATHERETTE	1
R1	QU-SB4-2119	QUANTUM,CUSHION,ASSY,BACK,21"W,19"H, SPORT BACK 4, LEATHERETTE	1
S1	QU-SB4-2121	QUANTUM,CUSHION,ASSY,BACK,21"W,21"H, SPORT BACK 4, LEATHERETTE	1
T1	QU-SB4-2123	QUANTUM,CUSHION,ASSY,BACK,21"W,23"H, SPORT BACK 4, LEATHERETTE	1
U1	QU-SB4-2125	QUANTUM,CUSHION,ASSY,BACK,21"W,25"H, SPORT BACK 4, LEATHERETTE	1
V1	QU-SB4-2213	QUANTUM,CUSHION,ASSY,BACK,22"W,13"H, SPORT BACK 4, LEATHERETTE	1
W1	QU-SB4-2215	QUANTUM,CUSHION,ASSY,BACK,22"W,15"H, SPORT BACK 4, LEATHERETTE	1
X1	QU-SB4-2217	QUANTUM,CUSHION,ASSY,BACK,22"W,17"H, SPORT BACK 4, LEATHERETTE	1
Y1	QU-SB4-2219	QUANTUM,CUSHION,ASSY,BACK,22"W,19"H, SPORT BACK 4, LEATHERETTE	1
Z1	QU-SB4-2221	QUANTUM,CUSHION,ASSY,BACK,22"W,21"H, SPORT BACK 4, LEATHERETTE	1
AA1	QU-SB4-2223	QUANTUM,CUSHION,ASSY,BACK,22"W,23"H, SPORT BACK 4, LEATHERETTE	1
BB1	QU-SB4-2225	QUANTUM,CUSHION,ASSY,BACK,22"W,25"H, SPORT BACK 4, LEATHERETTE	1

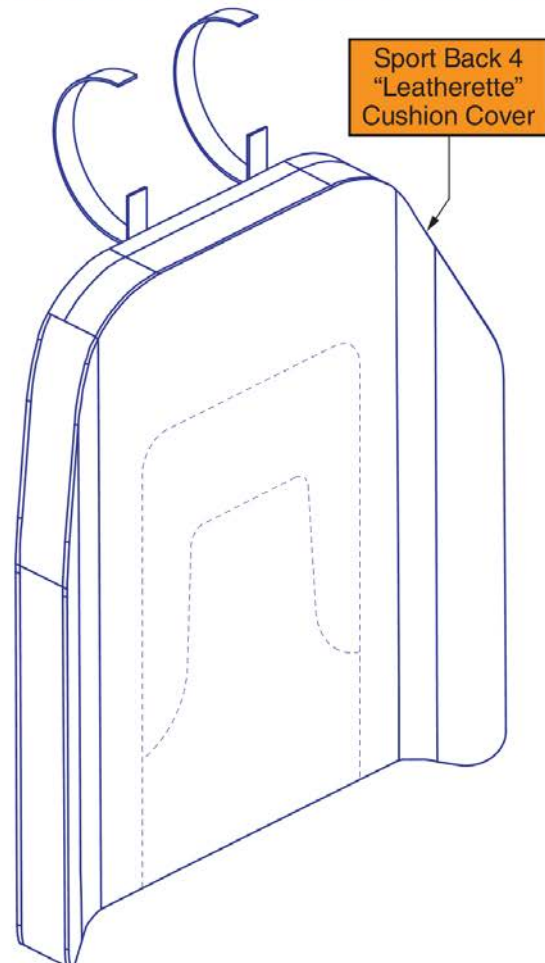
6.2. Sport Back 4 Cushions

14" - 18" W Sport Back 4 Cushion Covers				
Ref	Actual Back/ Cushion Size		For use on units with overall back Heights of:	
	Width	Height	Static/Tilt Backs <sup>1</sup>	Recline Backs <sup>2</sup>
A1	14"	13"	16" or 17"	19" or 20"
B1	14"	15"	18" or 19"	21" or 22"
C1	14"	17"	20" or 21"	23" or 24"
D1	14"	19"	22" or 23"	25" or 26"
E1	14"	21"	24" or 25"	27" or 28"
F1	14"	23"	26" or 27"	29" or 30"
G1	14"	25"	28" or 29"	31" or 32"
H1	15"	13"	16" or 17"	19" or 20"
I1	15"	15"	18" or 19"	21" or 22"
J1	15"	17"	20" or 21"	23" or 24"
K1	15"	19"	22" or 23"	25" or 26"
L1	15"	21"	24" or 25"	27" or 28"
M1	15"	23"	26" or 27"	29" or 30"
N1	15"	25"	28" or 29"	31" or 32"
O1	16"	13"	16" or 17"	19" or 20"
P1	16"	15"	18" or 19"	21" or 22"
Q1	16"	17"	20" or 21"	23" or 24"
R1	16"	19"	22" or 23"	25" or 26"
S1	16"	21"	24" or 25"	27" or 28"
T1	16"	23"	26" or 27"	29" or 30"
U1	16"	25"	28" or 29"	31" or 32"
V1	17"	13"	16" or 17"	19" or 20"
W1	17"	15"	18" or 19"	21" or 22"
X1	17"	17"	20" or 21"	23" or 24"
Y1	17"	19"	22" or 23"	25" or 26"
Z1	17"	21"	24" or 25"	27" or 28"
AA1	17"	23"	26" or 27"	29" or 30"
BB1	17"	25"	28" or 29"	31" or 32"
CC1	18"	13"	16" or 17"	19" or 20"
DD1	18"	15"	18" or 19"	21" or 22"

14" - 18" W Sport Back 4 Cushion Covers				
Ref	Actual Back/ Cushion Size		For use on units with overall back Heights of:	
	Width	Height	Static/Tilt Backs <sup>1</sup>	Recline Backs <sup>2</sup>
EE1	18"	17"	20" or 21"	23" or 24"
FF1	18"	19"	22" or 23"	25" or 26"
GG1	18"	21"	24" or 25"	27" or 28"
HH1	18"	23"	26" or 27"	29" or 30"
II1	18"	25"	28" or 29"	31" or 32"

These assemblies include the Complete Sport Back 4 Cushion Outer Cover. All other components are only available with the complete cushion assy.

1. The sizes represent a cushion to pan gap of 3" for even sized overall back heights and 4" for odd sized overall back heights.
2. The sizes represent a cushion to pan gap of 6" for odd sized overall back heights and 7" for even sized overall back heights





# Sport Back 4 Cushion Covers, 14"-18"W



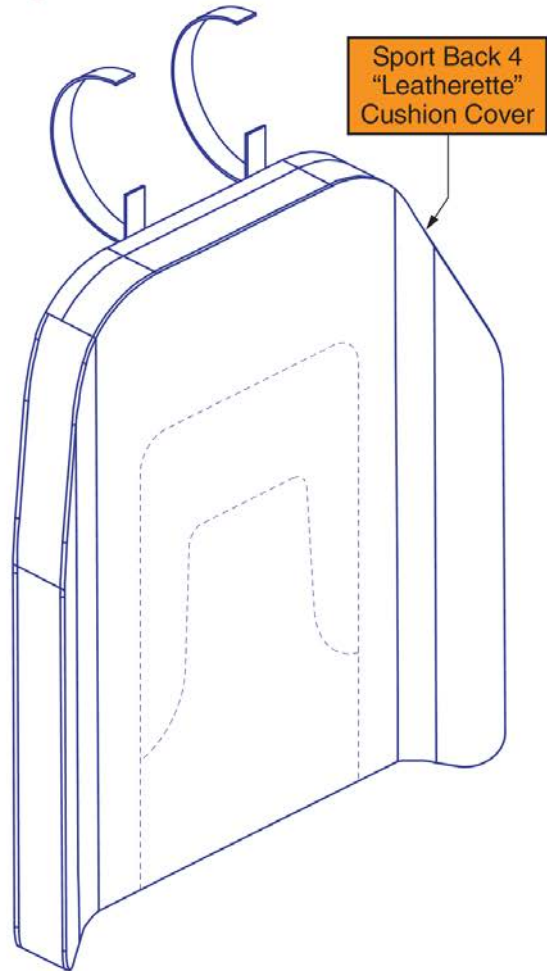
Item	Part No.	Name	Qty
A1	SB4-LBLK1413	CUSHION COVER,ASSY,SB4,LEATHERETTE,14"W, 13"D	1
B1	SB4-LBLK1415	CUSHION COVER,ASSY,SB4,LEATHERETTE,14"W, 15"D	1
C1	SB4-LBLK1417	CUSHION COVER,ASSY,SB4,LEATHERETTE,14"W, 17"D	1
D1	SB4-LBLK1419	CUSHION COVER,ASSY,SB4,LEATHERETTE,14"W, 19"D	1
E1	SB4-LBLK1421	CUSHION COVER,ASSY,SB4,LEATHERETTE,14"W, 21"D	1
F1	SB4-LBLK1423	CUSHION COVER,ASSY,SB4,LEATHERETTE,14"W, 23"D	1
G1	SB4-LBLK1425	CUSHION COVER,ASSY,SB4,LEATHERETTE,14"W, 25"D	1
H1	SB4-LBLK1513	CUSHION COVER,ASSY,SB4,LEATHERETTE,15"W, 13"D	1
I1	SB4-LBLK1515	CUSHION COVER,ASSY,SB4,LEATHERETTE,15"W, 15"D	1
J1	SB4-LBLK1517	CUSHION COVER,ASSY,SB4,LEATHERETTE,15"W, 17"D	1
K1	SB4-LBLK1519	CUSHION COVER,ASSY,SB4,LEATHERETTE,15"W, 19"D	1
L1	SB4-LBLK1521	CUSHION COVER,ASSY,SB4,LEATHERETTE,15"W, 21"D	1
M1	SB4-LBLK1523	CUSHION COVER,ASSY,SB4,LEATHERETTE,15"W, 23"D	1
N1	SB4-LBLK1525	CUSHION COVER,ASSY,SB4,LEATHERETTE,15"W, 25"D	1
O1	SB4-LBLK1613	CUSHION COVER,ASSY,SB4,LEATHERETTE,16"W, 13"D	1
P1	SB4-LBLK1615	CUSHION COVER,ASSY,SB4,LEATHERETTE,16"W, 15"D	1
Q1	SB4-LBLK1617	CUSHION COVER,ASSY,SB4,LEATHERETTE,16"W, 17"D	1
R1	SB4-LBLK1619	CUSHION COVER,ASSY,SB4,LEATHERETTE,16"W, 19"D	1
S1	SB4-LBLK1621	CUSHION COVER,ASSY,SB4,LEATHERETTE,16"W, 21"D	1
T1	SB4-LBLK1623	CUSHION COVER,ASSY,SB4,LEATHERETTE,16"W, 23"D	1
U1	SB4-LBLK1625	CUSHION COVER,ASSY,SB4,LEATHERETTE,16"W, 25"D	1
V1	SB4-LBLK1713	CUSHION COVER,ASSY,SB4,LEATHERETTE,17"W, 13"D	1
W1	SB4-LBLK1715	CUSHION COVER,ASSY,SB4,LEATHERETTE,17"W, 15"D	1
X1	SB4-LBLK1717	CUSHION COVER,ASSY,SB4,LEATHERETTE,17"W, 17"D	1
Y1	SB4-LBLK1719	CUSHION COVER,ASSY,SB4,LEATHERETTE,17"W, 19"D	1
Z1	SB4-LBLK1721	CUSHION COVER,ASSY,SB4,LEATHERETTE,17"W, 21"D	1
AA1	SB4-LBLK1723	CUSHION COVER,ASSY,SB4,LEATHERETTE,17"W, 23"D	1
BB1	SB4-LBLK1725	CUSHION COVER,ASSY,SB4,LEATHERETTE,17"W, 25"D	1
CC1	SB4-LBLK1813	CUSHION COVER,ASSY,SB4,LEATHERETTE,18"W, 13"D	1
DD1	SB4-LBLK1815	CUSHION COVER,ASSY,SB4,LEATHERETTE,18"W, 15"D	1
EE1	SB4-LBLK1817	CUSHION COVER,ASSY,SB4,LEATHERETTE,18"W, 17"D	1
FF1	SB4-LBLK1819	CUSHION COVER,ASSY,SB4,LEATHERETTE,18"W, 19"D	1
GG1	SB4-LBLK1821	CUSHION COVER,ASSY,SB4,LEATHERETTE,18"W, 21"D	1
HH1	SB4-LBLK1823	CUSHION COVER,ASSY,SB4,LEATHERETTE,18"W, 23"D	1
II1	SB4-LBLK1825	CUSHION COVER,ASSY,SB4,LEATHERETTE,18"W, 25"D	1

6.2. Sport Back 4 Cushions

19" - 22" W Sport Back 4 Cushion Covers				
Ref	Actual Back/ Cushion Size		For use on units with overall back Heights of:	
	Width	Height	Static/Tilt Backs <sup>1</sup>	Recline Backs <sup>2</sup>
A1	19"	13"	16" or 17"	19" or 20"
B1	19"	15"	18" or 19"	21" or 22"
C1	19"	17"	20" or 21"	23" or 24"
D1	19"	19"	22" or 23"	25" or 26"
E1	19"	21"	24" or 25"	27" or 28"
F1	19"	23"	26" or 27"	29" or 30"
G1	19"	25"	28" or 29"	31" or 32"
H1	20"	13"	16" or 17"	19" or 20"
I1	20"	15"	18" or 19"	21" or 22"
J1	20"	17"	20" or 21"	23" or 24"
K1	20"	19"	22" or 23"	25" or 26"
L1	20"	21"	24" or 25"	27" or 28"
M1	20"	23"	26" or 27"	29" or 30"
N1	20"	25"	28" or 29"	31" or 32"
O1	21"	13"	16" or 17"	19" or 20"
P1	21"	15"	18" or 19"	21" or 22"
Q1	21"	17"	20" or 21"	23" or 24"
R1	21"	19"	22" or 23"	25" or 26"
S1	21"	21"	24" or 25"	27" or 28"
T1	21"	23"	26" or 27"	29" or 30"
U1	21"	25"	28" or 29"	31" or 32"
V1	22"	13"	16" or 17"	19" or 20"
W1	22"	15"	18" or 19"	21" or 22"
X1	22"	17"	20" or 21"	23" or 24"
Y1	22"	19"	22" or 23"	25" or 26"
Z1	22"	21"	24" or 25"	27" or 28"
AA1	22"	23"	26" or 27"	29" or 30"
BB1	22"	25"	28" or 29"	31" or 32"

These assemblies include the Complete Sport Back 4 Cushion Outer Cover. All other components are only available with the complete cushion assy.

1. The sizes represent a cushion to pan gap of 3" for even sized overall back heights and 4" for odd sized overall back heights.
2. The sizes represent a cushion to pan gap of 6" for odd sized overall back heights and 7" for even sized overall back heights



# Sport Back 4 Cushion Covers, 19"-22"W



Item	Part No.	Name	Qty
A1	SB4-LBLK1913	CUSHION COVER,ASSY,SB4,LEATHERETTE,19"W, 13"D	1
B1	SB4-LBLK1915	CUSHION COVER,ASSY,SB4,LEATHERETTE,19"W, 15"D	1
C1	SB4-LBLK1917	CUSHION COVER,ASSY,SB4,LEATHERETTE,19"W, 17"D	1
D1	SB4-LBLK1919	CUSHION COVER,ASSY,SB4,LEATHERETTE,19"W, 19"D	1
E1	SB4-LBLK1921	CUSHION COVER,ASSY,SB4,LEATHERETTE,19"W, 21"D	1
F1	SB4-LBLK1923	CUSHION COVER,ASSY,SB4,LEATHERETTE,19"W, 23"D	1
G1	SB4-LBLK1925	CUSHION COVER,ASSY,SB4,LEATHERETTE,19"W, 25"D	1
H1	SB4-LBLK2013	CUSHION COVER,ASSY,SB4,LEATHERETTE,20"W, 13"D	1
I1	SB4-LBLK2015	CUSHION COVER,ASSY,SB4,LEATHERETTE,20"W, 15"D	1
J1	SB4-LBLK2017	CUSHION COVER,ASSY,SB4,LEATHERETTE,20"W, 17"D	1
K1	SB4-LBLK2019	CUSHION COVER,ASSY,SB4,LEATHERETTE,20"W, 19"D	1
L1	SB4-LBLK2021	CUSHION COVER,ASSY,SB4,LEATHERETTE,20"W, 21"D	1
M1	SB4-LBLK2023	CUSHION COVER,ASSY,SB4,LEATHERETTE,20"W, 23"D	1
N1	SB4-LBLK2025	CUSHION COVER,ASSY,SB4,LEATHERETTE,20"W, 25"D	1
O1	SB4-LBLK2113	CUSHION COVER,ASSY,SB4,LEATHERETTE,21"W, 13"D	1
P1	SB4-LBLK2115	CUSHION COVER,ASSY,SB4,LEATHERETTE,21"W, 15"D	1
Q1	SB4-LBLK2117	CUSHION COVER,ASSY,SB4,LEATHERETTE,21"W, 17"D	1
R1	SB4-LBLK2119	CUSHION COVER,ASSY,SB4,LEATHERETTE,21"W, 19"D	1
S1	SB4-LBLK2121	CUSHION COVER,ASSY,SB4,LEATHERETTE,21"W, 21"D	1
T1	SB4-LBLK2123	CUSHION COVER,ASSY,SB4,LEATHERETTE,21"W, 23"D	1
U1	SB4-LBLK2125	CUSHION COVER,ASSY,SB4,LEATHERETTE,21"W, 25"D	1
V1	SB4-LBLK2213	CUSHION COVER,ASSY,SB4,LEATHERETTE,22"W, 13"D	1
W1	SB4-LBLK2215	CUSHION COVER,ASSY,SB4,LEATHERETTE,22"W, 15"D	1
X1	SB4-LBLK2217	CUSHION COVER,ASSY,SB4,LEATHERETTE,22"W, 17"D	1
Y1	SB4-LBLK2219	CUSHION COVER,ASSY,SB4,LEATHERETTE,22"W, 19"D	1
Z1	SB4-LBLK2221	CUSHION COVER,ASSY,SB4,LEATHERETTE,22"W, 21"D	1
AA1	SB4-LBLK2223	CUSHION COVER,ASSY,SB4,LEATHERETTE,22"W, 23"D	1
BB1	SB4-LBLK2225	CUSHION COVER,ASSY,SB4,LEATHERETTE,22"W, 25"D	1

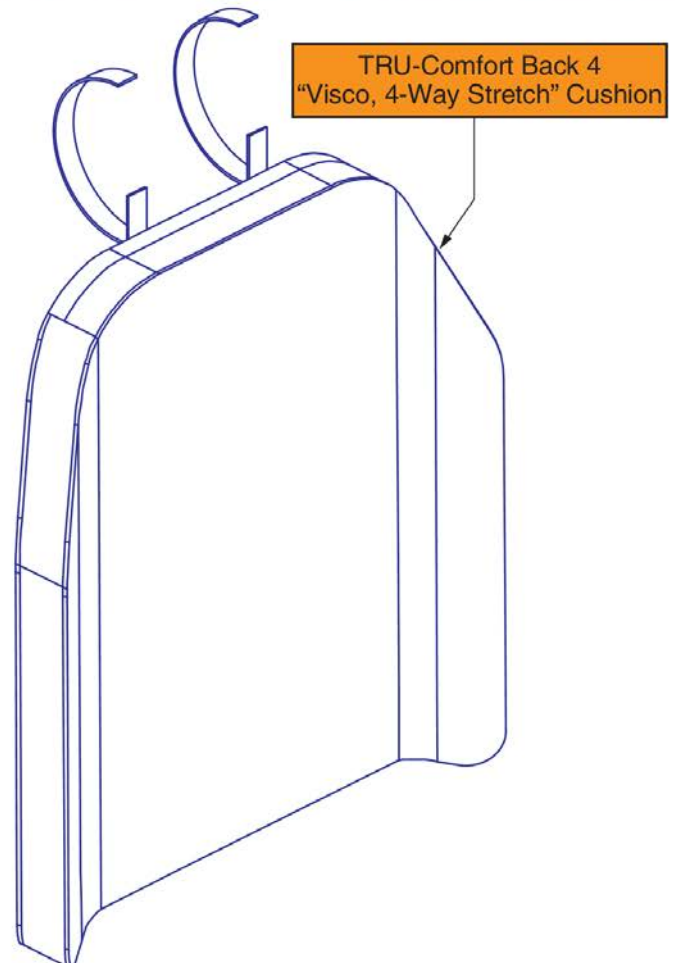
6.3. TRU-Comfort 4 Back Cushions

14" - 18" W TRU-Comfort Back 4 Cushions				
Ref	Actual Back/ Cushion Size		For use on units with overall back Heights of:	
	Width	Height	Static/Tilt Backs <sup>1</sup>	Recline Backs <sup>2</sup>
A1	14"	13"	16" or 17"	19" or 20"
B1	14"	15"	18" or 19"	21" or 22"
C1	14"	17"	20" or 21"	23" or 24"
D1	14"	19"	22" or 23"	25" or 26"
E1	14"	21"	24" or 25"	27" or 28"
F1	14"	23"	26" or 27"	29" or 30"
G1	14"	25"	28" or 29"	31" or 32"
H1	15"	13"	16" or 17"	19" or 20"
I1	15"	15"	18" or 19"	21" or 22"
J1	15"	17"	20" or 21"	23" or 24"
K1	15"	19"	22" or 23"	25" or 26"
L1	15"	21"	24" or 25"	27" or 28"
M1	15"	23"	26" or 27"	29" or 30"
N1	15"	25"	28" or 29"	31" or 32"
O1	16"	13"	16" or 17"	19" or 20"
P1	16"	15"	18" or 19"	21" or 22"
Q1	16"	17"	20" or 21"	23" or 24"
R1	16"	19"	22" or 23"	25" or 26"
S1	16"	21"	24" or 25"	27" or 28"
T1	16"	23"	26" or 27"	29" or 30"
U1	16"	25"	28" or 29"	31" or 32"
V1	17"	13"	16" or 17"	19" or 20"
W1	17"	15"	18" or 19"	21" or 22"
X1	17"	17"	20" or 21"	23" or 24"
Y1	17"	19"	22" or 23"	25" or 26"
Z1	17"	21"	24" or 25"	27" or 28"
AA1	17"	23"	26" or 27"	29" or 30"
BB1	17"	25"	28" or 29"	31" or 32"
CC1	18"	13"	16" or 17"	19" or 20"
DD1	18"	15"	18" or 19"	21" or 22"

14" - 18" W TRU-Comfort Back 4 Cushions				
Ref	Actual Back/ Cushion Size		For use on units with overall back Heights of:	
	Width	Height	Static/Tilt Backs <sup>1</sup>	Recline Backs <sup>2</sup>
EE1	18"	17"	20" or 21"	23" or 24"
FF1	18"	19"	22" or 23"	25" or 26"
GG1	18"	21"	24" or 25"	27" or 28"
HH1	18"	23"	26" or 27"	29" or 30"
II1	18"	25"	28" or 29"	31" or 32"

These assemblies include the Complete TRU-Comfort Back 4 Cushion. The outer cover is available separately.

1. The sizes represent a cushion to pan gap of 3" for even sized overall back heights and 4" for odd sized overall back heights.
2. The sizes represent a cushion to pan gap of 6" for odd sized overall back heights and 7" for even sized overall back heights



**TRU-Comfort 4 Back Cushions, 14"-18"W**



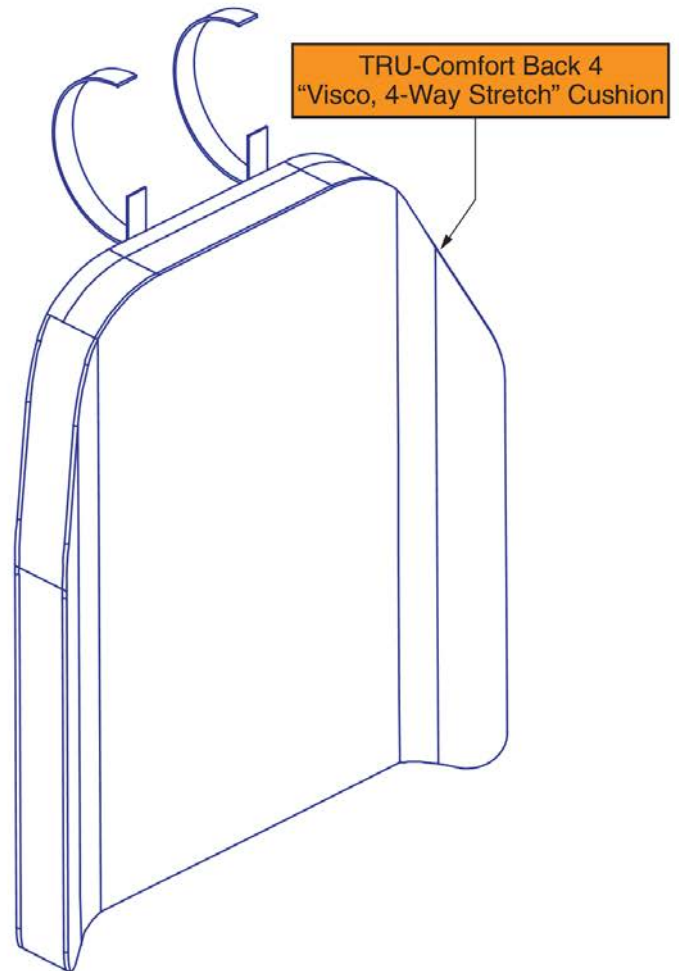
Item	Part No.	Name	Qty
A1	QU-TC4V-1413	QUANTUM,CUSHION,ASSY,BACK,VISCO,14"W,13"H, TRU-COMFORT 4, 4 WAY STRETCH	1
B1	QU-TC4V-1415	QUANTUM,CUSHION,ASSY,BACK,VISCO,14"W,15"H, TRU-COMFORT 4, 4 WAY STRETCH	1
C1	QU-TC4V-1417	QUANTUM,CUSHION,ASSY,BACK,VISCO,14"W,17"H, TRU-COMFORT 4, 4 WAY STRETCH	1
D1	QU-TC4V-1419	QUANTUM,CUSHION,ASSY,BACK,VISCO,14"W,19"H, TRU-COMFORT 4, 4 WAY STRETCH	1
E1	QU-TC4V-1421	QUANTUM,CUSHION,ASSY,BACK,VISCO,14"W,21"H, TRU-COMFORT 4, 4 WAY STRETCH	1
F1	QU-TC4V-1423	QUANTUM,CUSHION,ASSY,BACK,VISCO,14"W,23"H, TRU-COMFORT 4, 4 WAY STRETCH	1
G1	QU-TC4V-1425	QUANTUM,CUSHION,ASSY,BACK,VISCO,14"W,25"H, TRU-COMFORT 4, 4 WAY STRETCH	1
H1	QU-TC4V-1513	QUANTUM,CUSHION,ASSY,BACK,VISCO,15"W,13"H, TRU-COMFORT 4, 4 WAY STRETCH	1
I1	QU-TC4V-1515	QUANTUM,CUSHION,ASSY,BACK,VISCO,15"W,15"H, TRU-COMFORT 4, 4 WAY STRETCH	1
J1	QU-TC4V-1517	QUANTUM,CUSHION,ASSY,BACK,VISCO,15"W,17"H, TRU-COMFORT 4, 4 WAY STRETCH	1
K1	QU-TC4V-1519	QUANTUM,CUSHION,ASSY,BACK,VISCO,15"W,19"H, TRU-COMFORT 4, 4 WAY STRETCH	1
L1	QU-TC4V-1521	QUANTUM,CUSHION,ASSY,BACK,VISCO,15"W,21"H, TRU-COMFORT 4, 4 WAY STRETCH	1
M1	QU-TC4V-1523	QUANTUM,CUSHION,ASSY,BACK,VISCO,15"W,23"H, TRU-COMFORT 4, 4 WAY STRETCH	1
N1	QU-TC4V-1525	QUANTUM,CUSHION,ASSY,BACK,VISCO,15"W,25"H, TRU-COMFORT 4, 4 WAY STRETCH	1
O1	QU-TC4V-1613	QUANTUM,CUSHION,ASSY,BACK,VISCO,16"W,13"H, TRU-COMFORT 4, 4 WAY STRETCH	1
P1	QU-TC4V-1615	QUANTUM,CUSHION,ASSY,BACK,VISCO,16"W,15"H, TRU-COMFORT 4, 4 WAY STRETCH	1
Q1	QU-TC4V-1617	QUANTUM,CUSHION,ASSY,BACK,VISCO,16"W,17"H, TRU-COMFORT 4, 4 WAY STRETCH	1
R1	QU-TC4V-1619	QUANTUM,CUSHION,ASSY,BACK,VISCO,16"W,19"H, TRU-COMFORT 4, 4 WAY STRETCH	1
S1	QU-TC4V-1621	QUANTUM,CUSHION,ASSY,BACK,VISCO,16"W,21"H, TRU-COMFORT 4, 4 WAY STRETCH	1
T1	QU-TC4V-1623	QUANTUM,CUSHION,ASSY,BACK,VISCO,16"W,23"H, TRU-COMFORT 4, 4 WAY STRETCH	1
U1	QU-TC4V-1625	QUANTUM,CUSHION,ASSY,BACK,VISCO,16"W,25"H, TRU-COMFORT 4, 4 WAY STRETCH	1
V1	QU-TC4V-1713	QUANTUM,CUSHION,ASSY,BACK,VISCO,17"W,13"H, TRU-COMFORT 4, 4 WAY STRETCH	1
W1	QU-TC4V-1715	QUANTUM,CUSHION,ASSY,BACK,VISCO,17"W,15"H, TRU-COMFORT 4, 4 WAY STRETCH	1
X1	QU-TC4V-1717	QUANTUM,CUSHION,ASSY,BACK,VISCO,17"W,17"H, TRU-COMFORT 4, 4 WAY STRETCH	1
Y1	QU-TC4V-1719	QUANTUM,CUSHION,ASSY,BACK,VISCO,17"W,19"H, TRU-COMFORT 4, 4 WAY STRETCH	1
Z1	QU-TC4V-1721	QUANTUM,CUSHION,ASSY,BACK,VISCO,17"W,21"H, TRU-COMFORT 4, 4 WAY STRETCH	1
AA1	QU-TC4V-1723	QUANTUM,CUSHION,ASSY,BACK,VISCO,17"W,23"H, TRU-COMFORT 4, 4 WAY STRETCH	1
BB1	QU-TC4V-1725	QUANTUM,CUSHION,ASSY,BACK,VISCO,17"W,25"H, TRU-COMFORT 4, 4 WAY STRETCH	1
CC1	QU-TC4V-1813	QUANTUM,CUSHION,ASSY,BACK,VISCO,18"W,13"H, TRU-COMFORT 4, 4 WAY STRETCH	1
DD1	QU-TC4V-1815	QUANTUM,CUSHION,ASSY,BACK,VISCO,18"W,15"H, TRU-COMFORT 4, 4 WAY STRETCH	1
EE1	QU-TC4V-1817	QUANTUM,CUSHION,ASSY,BACK,VISCO,18"W,17"H, TRU-COMFORT 4, 4 WAY STRETCH	1
FF1	QU-TC4V-1819	QUANTUM,CUSHION,ASSY,BACK,VISCO,18"W,19"H, TRU-COMFORT 4, 4 WAY STRETCH	1
GG1	QU-TC4V-1821	QUANTUM,CUSHION,ASSY,BACK,VISCO,18"W,21"H, TRU-COMFORT 4, 4 WAY STRETCH	1
HH1	QU-TC4V-1823	QUANTUM,CUSHION,ASSY,BACK,VISCO,18"W,23"H, TRU-COMFORT 4, 4 WAY STRETCH	1
II1	QU-TC4V-1825	QUANTUM,CUSHION,ASSY,BACK,VISCO,18"W,25"H, TRU-COMFORT 4, 4 WAY STRETCH	1

6.3. TRU-Comfort 4 Back Cushions

19" - 22" W TRU-Comfort Back 4 Cushions				
Ref	Actual Back/ Cushion Size		For use on units with overall back Heights of:	
	Width	Height	Static/Tilt Backs <sup>1</sup>	Recline Backs <sup>2</sup>
A1	19"	13"	16" or 17"	19" or 20"
B1	19"	15"	18" or 19"	21" or 22"
C1	19"	17"	20" or 21"	23" or 24"
D1	19"	19"	22" or 23"	25" or 26"
E1	19"	21"	24" or 25"	27" or 28"
F1	19"	23"	26" or 27"	29" or 30"
G1	19"	25"	28" or 29"	31" or 32"
H1	20"	13"	16" or 17"	19" or 20"
I1	20"	15"	18" or 19"	21" or 22"
J1	20"	17"	20" or 21"	23" or 24"
K1	20"	19"	22" or 23"	25" or 26"
L1	20"	21"	24" or 25"	27" or 28"
M1	20"	23"	26" or 27"	29" or 30"
N1	20"	25"	28" or 29"	31" or 32"
O1	21"	13"	16" or 17"	19" or 20"
P1	21"	15"	18" or 19"	21" or 22"
Q1	21"	17"	20" or 21"	23" or 24"
R1	21"	19"	22" or 23"	25" or 26"
S1	21"	21"	24" or 25"	27" or 28"
T1	21"	23"	26" or 27"	29" or 30"
U1	21"	25"	28" or 29"	31" or 32"
V1	22"	13"	16" or 17"	19" or 20"
W1	22"	15"	18" or 19"	21" or 22"
X1	22"	17"	20" or 21"	23" or 24"
Y1	22"	19"	22" or 23"	25" or 26"
Z1	22"	21"	24" or 25"	27" or 28"
AA1	22"	23"	26" or 27"	29" or 30"
BB1	22"	25"	28" or 29"	31" or 32"

These assemblies include the Complete TRU-Comfort Back 4 Cushion. The outer cover is available separately.

1. The sizes represent a cushion to pan gap of 3" for even sized overall back heights and 4" for odd sized overall back heights.
2. The sizes represent a cushion to pan gap of 6" for odd sized overall back heights and 7" for even sized overall back heights



**TRU-Comfort 4 Back Cushions, 19"-22"W**



Item	Part No.	Name	Qty
A1	QU-TC4V-1913	QUANTUM,CUSHION,ASSY,BACK,VISCO,19"W,13"H, TRU-COMFORT 4, 4 WAY STRETCH	1
B1	QU-TC4V-1915	QUANTUM,CUSHION,ASSY,BACK,VISCO,19"W,15"H, TRU-COMFORT 4, 4 WAY STRETCH	1
C1	QU-TC4V-1917	QUANTUM,CUSHION,ASSY,BACK,VISCO,19"W,17"H, TRU-COMFORT 4, 4 WAY STRETCH	1
D1	QU-TC4V-1919	QUANTUM,CUSHION,ASSY,BACK,VISCO,19"W,19"H, TRU-COMFORT 4, 4 WAY STRETCH	1
E1	QU-TC4V-1921	QUANTUM,CUSHION,ASSY,BACK,VISCO,19"W,21"H, TRU-COMFORT 4, 4 WAY STRETCH	1
F1	QU-TC4V-1923	QUANTUM,CUSHION,ASSY,BACK,VISCO,19"W,23"H, TRU-COMFORT 4, 4 WAY STRETCH	1
G1	QU-TC4V-1925	QUANTUM,CUSHION,ASSY,BACK,VISCO,19"W,25"H, TRU-COMFORT 4, 4 WAY STRETCH	1
H1	QU-TC4V-2013	QUANTUM,CUSHION,ASSY,BACK,VISCO,20"W,13"H, TRU-COMFORT 4, 4 WAY STRETCH	1
I1	QU-TC4V-2015	QUANTUM,CUSHION,ASSY,BACK,VISCO,20"W,15"H, TRU-COMFORT 4, 4 WAY STRETCH	1
J1	QU-TC4V-2017	QUANTUM,CUSHION,ASSY,BACK,VISCO,20"W,17"H, TRU-COMFORT 4, 4 WAY STRETCH	1
K1	QU-TC4V-2019	QUANTUM,CUSHION,ASSY,BACK,VISCO,20"W,19"H, TRU-COMFORT 4, 4 WAY STRETCH	1
L1	QU-TC4V-2021	QUANTUM,CUSHION,ASSY,BACK,VISCO,20"W,21"H, TRU-COMFORT 4, 4 WAY STRETCH	1
M1	QU-TC4V-2023	QUANTUM,CUSHION,ASSY,BACK,VISCO,20"W,23"H, TRU-COMFORT 4, 4 WAY STRETCH	1
N1	QU-TC4V-2025	QUANTUM,CUSHION,ASSY,BACK,VISCO,20"W,25"H, TRU-COMFORT 4, 4 WAY STRETCH	1
O1	QU-TC4V-2113	QUANTUM,CUSHION,ASSY,BACK,VISCO,21"W,13"H, TRU-COMFORT 4, 4 WAY STRETCH	1
P1	QU-TC4V-2115	QUANTUM,CUSHION,ASSY,BACK,VISCO,21"W,15"H, TRU-COMFORT 4, 4 WAY STRETCH	1
Q1	QU-TC4V-2117	QUANTUM,CUSHION,ASSY,BACK,VISCO,21"W,17"H, TRU-COMFORT 4, 4 WAY STRETCH	1
R1	QU-TC4V-2119	QUANTUM,CUSHION,ASSY,BACK,VISCO,21"W,19"H, TRU-COMFORT 4, 4 WAY STRETCH	1
S1	QU-TC4V-2121	QUANTUM,CUSHION,ASSY,BACK,VISCO,21"W,21"H, TRU-COMFORT 4, 4 WAY STRETCH	1
T1	QU-TC4V-2123	QUANTUM,CUSHION,ASSY,BACK,VISCO,21"W,23"H, TRU-COMFORT 4, 4 WAY STRETCH	1
U1	QU-TC4V-2125	QUANTUM,CUSHION,ASSY,BACK,VISCO,21"W,25"H, TRU-COMFORT 4, 4 WAY STRETCH	1
V1	QU-TC4V-2213	QUANTUM,CUSHION,ASSY,BACK,VISCO,22"W,13"H, TRU-COMFORT 4, 4 WAY STRETCH	1
W1	QU-TC4V-2215	QUANTUM,CUSHION,ASSY,BACK,VISCO,22"W,15"H, TRU-COMFORT 4, 4 WAY STRETCH	1
X1	QU-TC4V-2217	QUANTUM,CUSHION,ASSY,BACK,VISCO,22"W,17"H, TRU-COMFORT 4, 4 WAY STRETCH	1
Y1	QU-TC4V-2219	QUANTUM,CUSHION,ASSY,BACK,VISCO,22"W,19"H, TRU-COMFORT 4, 4 WAY STRETCH	1
Z1	QU-TC4V-2221	QUANTUM,CUSHION,ASSY,BACK,VISCO,22"W,21"H, TRU-COMFORT 4, 4 WAY STRETCH	1
AA1	QU-TC4V-2223	QUANTUM,CUSHION,ASSY,BACK,VISCO,22"W,23"H, TRU-COMFORT 4, 4 WAY STRETCH	1
BB1	QU-TC4V-2225	QUANTUM,CUSHION,ASSY,BACK,VISCO,22"W,25"H, TRU-COMFORT 4, 4 WAY STRETCH	1

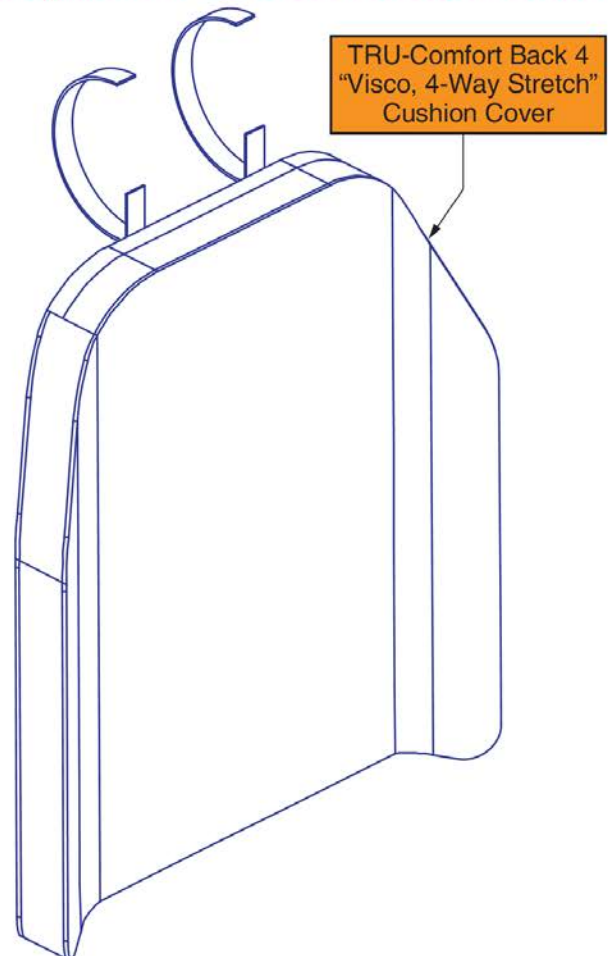
6.3. TRU-Comfort 4 Back Cushions

14" - 18" W TRU-Comfort Back 4 Cushion Covers				
Ref	Actual Back/ Cushion Size		For use on units with overall back Heights of:	
	Width	Height	Static/Tilt Backs <sup>1</sup>	Recline Backs <sup>2</sup>
A1	14"	13"	16" or 17"	19" or 20"
B1	14"	15"	18" or 19"	21" or 22"
C1	14"	17"	20" or 21"	23" or 24"
D1	14"	19"	22" or 23"	25" or 26"
E1	14"	21"	24" or 25"	27" or 28"
F1	14"	23"	26" or 27"	29" or 30"
G1	14"	25"	28" or 29"	31" or 32"
H1	15"	13"	16" or 17"	19" or 20"
I1	15"	15"	18" or 19"	21" or 22"
J1	15"	17"	20" or 21"	23" or 24"
K1	15"	19"	22" or 23"	25" or 26"
L1	15"	21"	24" or 25"	27" or 28"
M1	15"	23"	26" or 27"	29" or 30"
N1	15"	25"	28" or 29"	31" or 32"
O1	16"	13"	16" or 17"	19" or 20"
P1	16"	15"	18" or 19"	21" or 22"
Q1	16"	17"	20" or 21"	23" or 24"
R1	16"	19"	22" or 23"	25" or 26"
S1	16"	21"	24" or 25"	27" or 28"
T1	16"	23"	26" or 27"	29" or 30"
U1	16"	25"	28" or 29"	31" or 32"
V1	17"	13"	16" or 17"	19" or 20"
W1	17"	15"	18" or 19"	21" or 22"
X1	17"	17"	20" or 21"	23" or 24"
Y1	17"	19"	22" or 23"	25" or 26"
Z1	17"	21"	24" or 25"	27" or 28"
AA1	17"	23"	26" or 27"	29" or 30"
BB1	17"	25"	28" or 29"	31" or 32"
CC1	18"	13"	16" or 17"	19" or 20"
DD1	18"	15"	18" or 19"	21" or 22"

14" - 18" W TRU-Comfort Back 4 Cushion Covers				
Ref	Actual Back/ Cushion Size		For use on units with overall back Heights of:	
	Width	Height	Static/Tilt Backs <sup>1</sup>	Recline Backs <sup>2</sup>
EE1	18"	17"	20" or 21"	23" or 24"
FF1	18"	19"	22" or 23"	25" or 26"
GG1	18"	21"	24" or 25"	27" or 28"
HH1	18"	23"	26" or 27"	29" or 30"
II1	18"	25"	28" or 29"	31" or 32"

These assemblies include the Complete TRU-Comfort Back 4 Cushion Outer Cover. All other components are only available with the complete cushion assy.

1. The sizes represent a cushion to pan gap of 3" for even sized overall back heights and 4" for odd sized overall back heights.
2. The sizes represent a cushion to pan gap of 6" for odd sized overall back heights and 7" for even sized overall back heights





**TRU-Comfort 4 Back Cushion Covers, 14"-18"W**



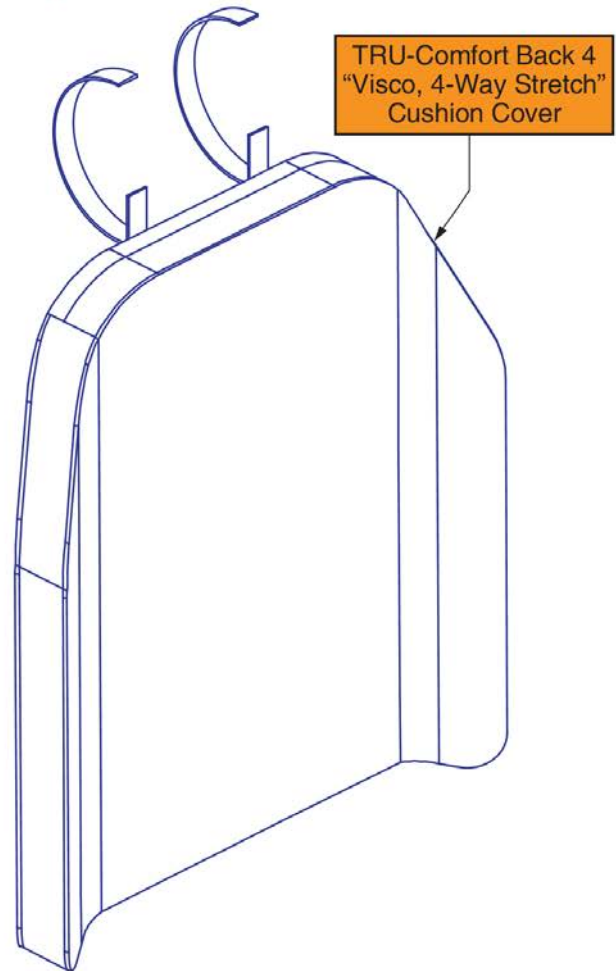
Item	Part No.	Name	Qty
A1	TC4-NBLK1413	CUSHION COVER,ASSY,TC4,4 WAY STRETCH,14"W, 13"D	1
B1	TC4-NBLK1415	CUSHION COVER,ASSY,TC4,4 WAY STRETCH,14"W, 15"D	1
C1	TC4-NBLK1417	CUSHION COVER,ASSY,TC4,4 WAY STRETCH,14"W, 17"D	1
D1	TC4-NBLK1419	CUSHION COVER,ASSY,TC4,4 WAY STRETCH,14"W, 19"D	1
E1	TC4-NBLK1421	CUSHION COVER,ASSY,TC4,4 WAY STRETCH,14"W, 21"D	1
F1	TC4-NBLK1423	CUSHION COVER,ASSY,TC4,4 WAY STRETCH,14"W, 23"D	1
G1	TC4-NBLK1425	CUSHION COVER,ASSY,TC4,4 WAY STRETCH,14"W, 25"D	1
H1	TC4-NBLK1513	CUSHION COVER,ASSY,TC4,4 WAY STRETCH,15"W, 13"D	1
I1	TC4-NBLK1515	CUSHION COVER,ASSY,TC4,4 WAY STRETCH,15"W, 15"D	1
J1	TC4-NBLK1517	CUSHION COVER,ASSY,TC4,4 WAY STRETCH,15"W, 17"D	1
K1	TC4-NBLK1519	CUSHION COVER,ASSY,TC4,4 WAY STRETCH,15"W, 19"D	1
L1	TC4-NBLK1521	CUSHION COVER,ASSY,TC4,4 WAY STRETCH,15"W, 21"D	1
M1	TC4-NBLK1523	CUSHION COVER,ASSY,TC4,4 WAY STRETCH,15"W, 23"D	1
N1	TC4-NBLK1525	CUSHION COVER,ASSY,TC4,4 WAY STRETCH,15"W, 25"D	1
O1	TC4-NBLK1613	CUSHION COVER,ASSY,TC4,4 WAY STRETCH,16"W, 13"D	1
P1	TC4-NBLK1615	CUSHION COVER,ASSY,TC4,4 WAY STRETCH,16"W, 15"D	1
Q1	TC4-NBLK1617	CUSHION COVER,ASSY,TC4,4 WAY STRETCH,16"W, 17"D	1
R1	TC4-NBLK1619	CUSHION COVER,ASSY,TC4,4 WAY STRETCH,16"W, 19"D	1
S1	TC4-NBLK1621	CUSHION COVER,ASSY,TC4,4 WAY STRETCH,16"W, 21"D	1
T1	TC4-NBLK1623	CUSHION COVER,ASSY,TC4,4 WAY STRETCH,16"W, 23"D	1
U1	TC4-NBLK1625	CUSHION COVER,ASSY,TC4,4 WAY STRETCH,16"W, 25"D	1
V1	TC4-NBLK1713	CUSHION COVER,ASSY,TC4,4 WAY STRETCH,17"W, 13"D	1
W1	TC4-NBLK1715	CUSHION COVER,ASSY,TC4,4 WAY STRETCH,17"W, 15"D	1
X1	TC4-NBLK1717	CUSHION COVER,ASSY,TC4,4 WAY STRETCH,17"W, 17"D	1
Y1	TC4-NBLK1719	CUSHION COVER,ASSY,TC4,4 WAY STRETCH,17"W, 19"D	1
Z1	TC4-NBLK1721	CUSHION COVER,ASSY,TC4,4 WAY STRETCH,17"W, 21"D	1
AA1	TC4-NBLK1723	CUSHION COVER,ASSY,TC4,4 WAY STRETCH,17"W, 23"D	1
BB1	TC4-NBLK1725	CUSHION COVER,ASSY,TC4,4 WAY STRETCH,17"W, 25"D	1
CC1	TC4-NBLK1813	CUSHION COVER,ASSY,TC4,4 WAY STRETCH,18"W, 13"D	1
DD1	TC4-NBLK1815	CUSHION COVER,ASSY,TC4,4 WAY STRETCH,18"W, 15"D	1
EE1	TC4-NBLK1817	CUSHION COVER,ASSY,TC4,4 WAY STRETCH,18"W, 17"D	1
FF1	TC4-NBLK1819	CUSHION COVER,ASSY,TC4,4 WAY STRETCH,18"W, 19"D	1
GG1	TC4-NBLK1821	CUSHION COVER,ASSY,TC4,4 WAY STRETCH,18"W, 21"D	1
HH1	TC4-NBLK1823	CUSHION COVER,ASSY,TC4,4 WAY STRETCH,18"W, 23"D	1
II1	TC4-NBLK1825	CUSHION COVER,ASSY,TC4,4 WAY STRETCH,18"W, 25"D	1

6.3. TRU-Comfort 4 Back Cushions

19" - 22" W TRU-Comfort Back 4 Cushion Covers				
Ref	Actual Back/Cushion Size		For use on units with overall back Heights of:	
	Width	Height	Static/Tilt Backs <sup>1</sup>	Recline Backs <sup>2</sup>
A1	19"	13"	16" or 17"	19" or 20"
B1	19"	15"	18" or 19"	21" or 22"
C1	19"	17"	20" or 21"	23" or 24"
D1	19"	19"	22" or 23"	25" or 26"
E1	19"	21"	24" or 25"	27" or 28"
F1	19"	23"	26" or 27"	29" or 30"
G1	19"	25"	28" or 29"	31" or 32"
H1	20"	13"	16" or 17"	19" or 20"
I1	20"	15"	18" or 19"	21" or 22"
J1	20"	17"	20" or 21"	23" or 24"
K1	20"	19"	22" or 23"	25" or 26"
L1	20"	21"	24" or 25"	27" or 28"
M1	20"	23"	26" or 27"	29" or 30"
N1	20"	25"	28" or 29"	31" or 32"
O1	21"	13"	16" or 17"	19" or 20"
P1	21"	15"	18" or 19"	21" or 22"
Q1	21"	17"	20" or 21"	23" or 24"
R1	21"	19"	22" or 23"	25" or 26"
S1	21"	21"	24" or 25"	27" or 28"
T1	21"	23"	26" or 27"	29" or 30"
U1	21"	25"	28" or 29"	31" or 32"
V1	22"	13"	16" or 17"	19" or 20"
W1	22"	15"	18" or 19"	21" or 22"
X1	22"	17"	20" or 21"	23" or 24"
Y1	22"	19"	22" or 23"	25" or 26"
Z1	22"	21"	24" or 25"	27" or 28"
AA1	22"	23"	26" or 27"	29" or 30"
BB1	22"	25"	28" or 29"	31" or 32"

These assemblies include the Complete TRU-Comfort Back 4 Cushion Outer Cover. All other components are only available with the complete cushion assy.

1. The sizes represent a cushion to pan gap of 3" for even sized overall back heights and 4" for odd sized overall back heights.
2. The sizes represent a cushion to pan gap of 6" for odd sized overall back heights and 7" for even sized overall back heights



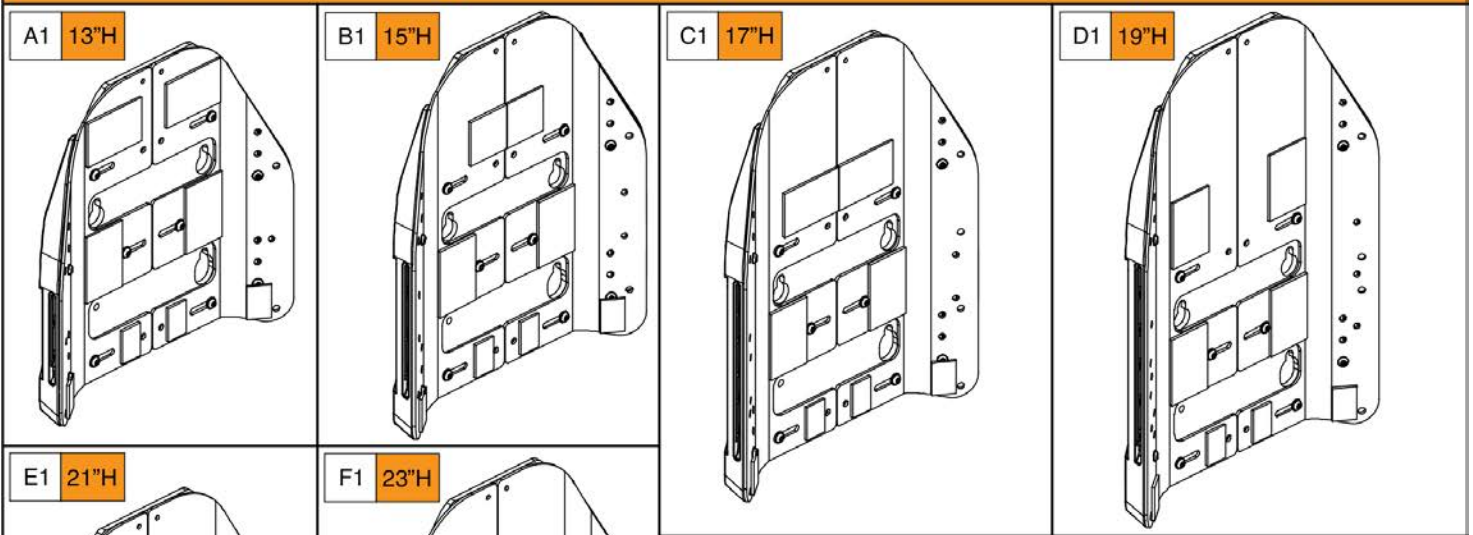
**TRU-Comfort 4 Back Cushion Covers, 19"-22"W**



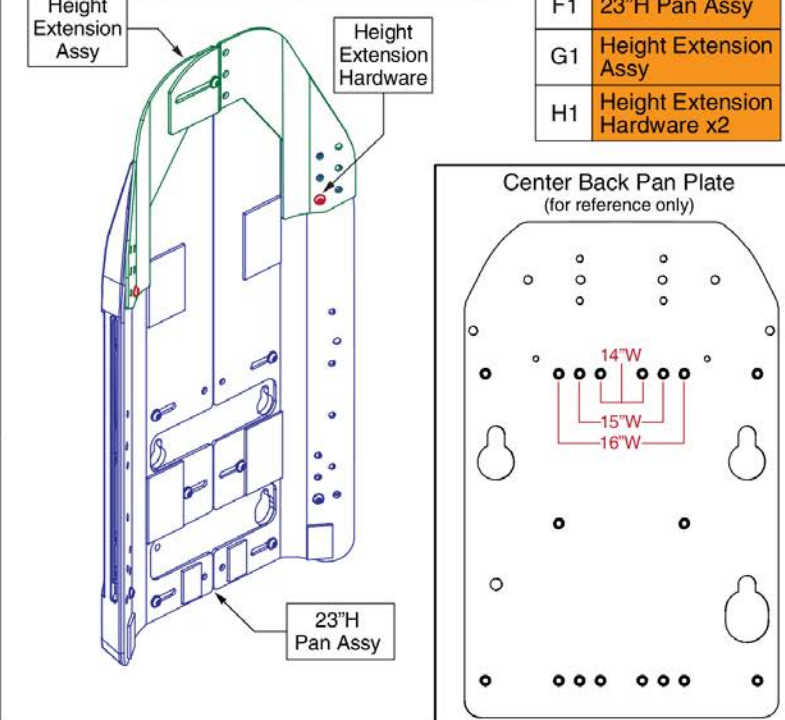
Item	Part No.	Name	Qty
A1	TC4-NBLK1913	CUSHION COVER,ASSY,TC4,4 WAY STRETCH,19"W, 13"D	1
B1	TC4-NBLK1915	CUSHION COVER,ASSY,TC4,4 WAY STRETCH,19"W, 15"D	1
C1	TC4-NBLK1917	CUSHION COVER,ASSY,TC4,4 WAY STRETCH,19"W, 17"D	1
D1	TC4-NBLK1919	CUSHION COVER,ASSY,TC4,4 WAY STRETCH,19"W, 19"D	1
E1	TC4-NBLK1921	CUSHION COVER,ASSY,TC4,4 WAY STRETCH,19"W, 21"D	1
F1	TC4-NBLK1923	CUSHION COVER,ASSY,TC4,4 WAY STRETCH,19"W, 23"D	1
G1	TC4-NBLK1925	CUSHION COVER,ASSY,TC4,4 WAY STRETCH,19"W, 25"D	1
H1	TC4-NBLK2013	CUSHION COVER,ASSY,TC4,4 WAY STRETCH,20"W, 13"D	1
I1	TC4-NBLK2015	CUSHION COVER,ASSY,TC4,4 WAY STRETCH,20"W, 15"D	1
J1	TC4-NBLK2017	CUSHION COVER,ASSY,TC4,4 WAY STRETCH,20"W, 17"D	1
K1	TC4-NBLK2019	CUSHION COVER,ASSY,TC4,4 WAY STRETCH,20"W, 19"D	1
L1	TC4-NBLK2021	CUSHION COVER,ASSY,TC4,4 WAY STRETCH,20"W, 21"D	1
M1	TC4-NBLK2023	CUSHION COVER,ASSY,TC4,4 WAY STRETCH,20"W, 23"D	1
N1	TC4-NBLK2025	CUSHION COVER,ASSY,TC4,4 WAY STRETCH,20"W, 25"D	1
O1	TC4-NBLK2113	CUSHION COVER,ASSY,TC4,4 WAY STRETCH,21"W, 13"D	1
P1	TC4-NBLK2115	CUSHION COVER,ASSY,TC4,4 WAY STRETCH,21"W, 15"D	1
Q1	TC4-NBLK2117	CUSHION COVER,ASSY,TC4,4 WAY STRETCH,21"W, 17"D	1
R1	TC4-NBLK2119	CUSHION COVER,ASSY,TC4,4 WAY STRETCH,21"W, 19"D	1
S1	TC4-NBLK2121	CUSHION COVER,ASSY,TC4,4 WAY STRETCH,21"W, 21"D	1
T1	TC4-NBLK2123	CUSHION COVER,ASSY,TC4,4 WAY STRETCH,21"W, 23"D	1
U1	TC4-NBLK2125	CUSHION COVER,ASSY,TC4,4 WAY STRETCH,21"W, 25"D	1
V1	TC4-NBLK2213	CUSHION COVER,ASSY,TC4,4 WAY STRETCH,22"W, 13"D	1
W1	TC4-NBLK2215	CUSHION COVER,ASSY,TC4,4 WAY STRETCH,22"W, 15"D	1
X1	TC4-NBLK2217	CUSHION COVER,ASSY,TC4,4 WAY STRETCH,22"W, 17"D	1
Y1	TC4-NBLK2219	CUSHION COVER,ASSY,TC4,4 WAY STRETCH,22"W, 19"D	1
Z1	TC4-NBLK2221	CUSHION COVER,ASSY,TC4,4 WAY STRETCH,22"W, 21"D	1
AA1	TC4-NBLK2223	CUSHION COVER,ASSY,TC4,4 WAY STRETCH,22"W, 23"D	1
BB1	TC4-NBLK2225	CUSHION COVER,ASSY,TC4,4 WAY STRETCH,22"W, 25"D	1

6.4. Back Pan Assy's

TB4 Back Pan Assy's - 14"-16"W (Reference the notes and sizing chart below)



**25"H Back** To procure the 25"H Back assy, the 23"H Back Pan assy (F1), the 2" Height Extension assy (G1), & the Extension Hardware (H1) must be selected.



F1	23"H Pan Assy
G1	Height Extension Assy
H1	Height Extension Hardware x2

Ref	Back Height	Overall Back Heights:	
		Static/Tilt Backs <sup>1</sup>	Recline Backs <sup>2</sup>
A1	13"H	16" or 17"	19" or 20"
B1	15"H	18" or 19"	21" or 22"
C1	17"H	20" or 21"	23" or 24"
D1	19"H	22" or 23"	25" or 26"
E1	21"H	24" or 25"	27" or 28"
F1	23"H	26" or 27"	29" or 30"
F1 / G1 / H1	25"H	28" or 29"	31" or 32"

<sup>1</sup> The sizes represent a cushion to pan gap of 3" for even sized overall back heights and 4" for odd sized overall back heights.  
<sup>2</sup> The sizes represent a cushion to pan gap of 6" for odd sized overall back heights and 7" for even sized overall back heights

- Notes:
- The Back Pan assy's are utilized with both Sport Back 4 & TRU-Comfort Back 4 assy's.
  - Painted side cover inserts are not included with the back pan assy's.
  - Individual components are not available separately. The assy must be selected.
  - 25"H backs utilize extension plates to achieve the back height. The plates are affixed to the 23"H back pan assy.

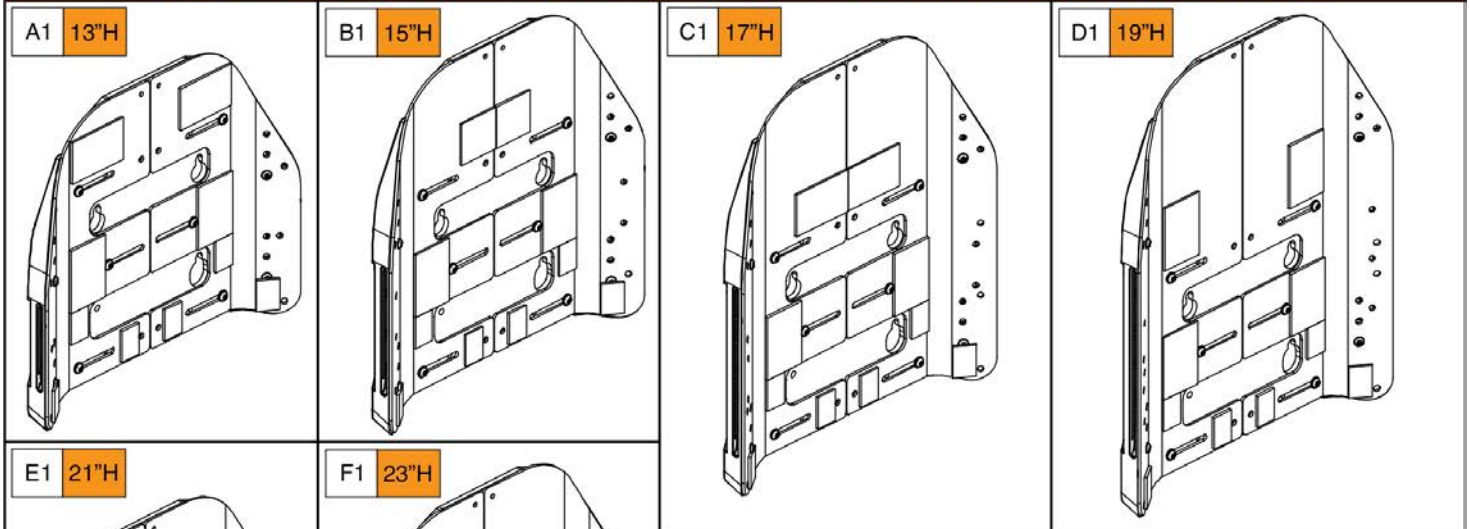
# 14"-16"W Back Pans, TB3 Redesigned Back



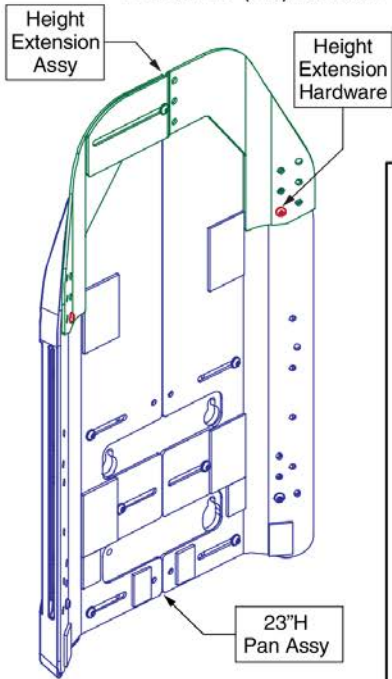
Item	Part No.	Name	Qty
A1	SET1902540	SEAT BACK,ASSY,14"W-16"W,13"H,W/MOUNTING HARDWARE	1
B1	SET1902559	SEAT BACK,ASSY,14"W-16"W,15"H,W/MOUNTING HARDWARE	1
C1	SET1902579	SEAT BACK,ASSY,14"W-16"W,17"H,W/MOUNTING HARDWARE	1
D1	SET1902608	SEAT BACK,ASSY,14"W-16"W,19"H,W/MOUNTING HARDWARE	1
E1	SET1902621	SEAT BACK,ASSY,14"W-16"W,21"H,W/MOUNTING HARDWARE	1
F1	SET1902633	SEAT BACK,ASSY,14"W-16"W,23"H,W/MOUNTING HARDWARE	1
G1	MEC1906115	SEAT BACK,ASSY,HEIGHT EXTENSION,14"W-16" W,W/HARDWARE	1
H1	SCRASBH1264	SCREW,BHSCS,BLACK ZINC,M6-1.0 X 15MM,GRADE 10.9	2

6.4. Back Pan Assy's

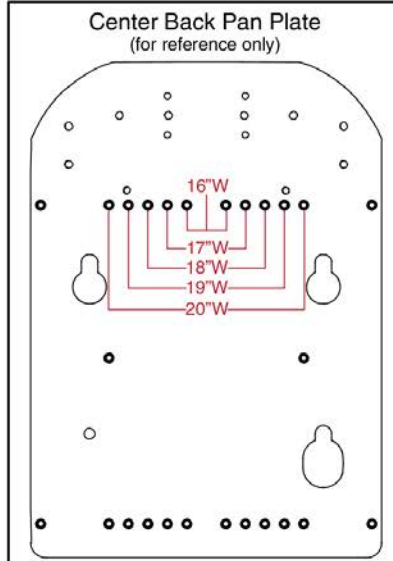
**TB4 Back Pan Assy's - 16"-20"W** (Reference the notes and sizing chart below)



**25"H Back** To procure the 25"H Back assy, the 23"H Back Pan assy (F1), the 2" Height Extension assy (G1), & the Extension Hardware (H1) must be selected.



F1	23"H Pan Assy
G1	Height Extension Assy
H1	Height Extension Hardware x2



Ref	Back Height	Overall Back Heights:	
		Static/Tilt Backs <sup>1</sup>	Recline Backs <sup>2</sup>
A1	13"H	16" or 17"	19" or 20"
B1	15"H	18" or 19"	21" or 22"
C1	17"H	20" or 21"	23" or 24"
D1	19"H	22" or 23"	25" or 26"
E1	21"H	24" or 25"	27" or 28"
F1	23"H	26" or 27"	29" or 30"
F1 / G1 / H1	25"H	28" or 29"	31" or 32"

<sup>1</sup> The sizes represent a cushion to pan gap of 3" for even sized overall back heights and 4" for odd sized overall back heights.  
<sup>2</sup> The sizes represent a cushion to pan gap of 6" for odd sized overall back heights and 7" for even sized overall back heights

- Notes:**
- The Back Pan assy's are utilized with both Sport Back 4 & TRU-Comfort Back 4 assy's.
  - Painted side cover inserts are not included with the back pan assy's.
  - Individual components are not available separately. The assy must be selected.
  - 25"H backs utilize extension plates to achieve the back height. The plates are affixed to the 23"H back pan assy.

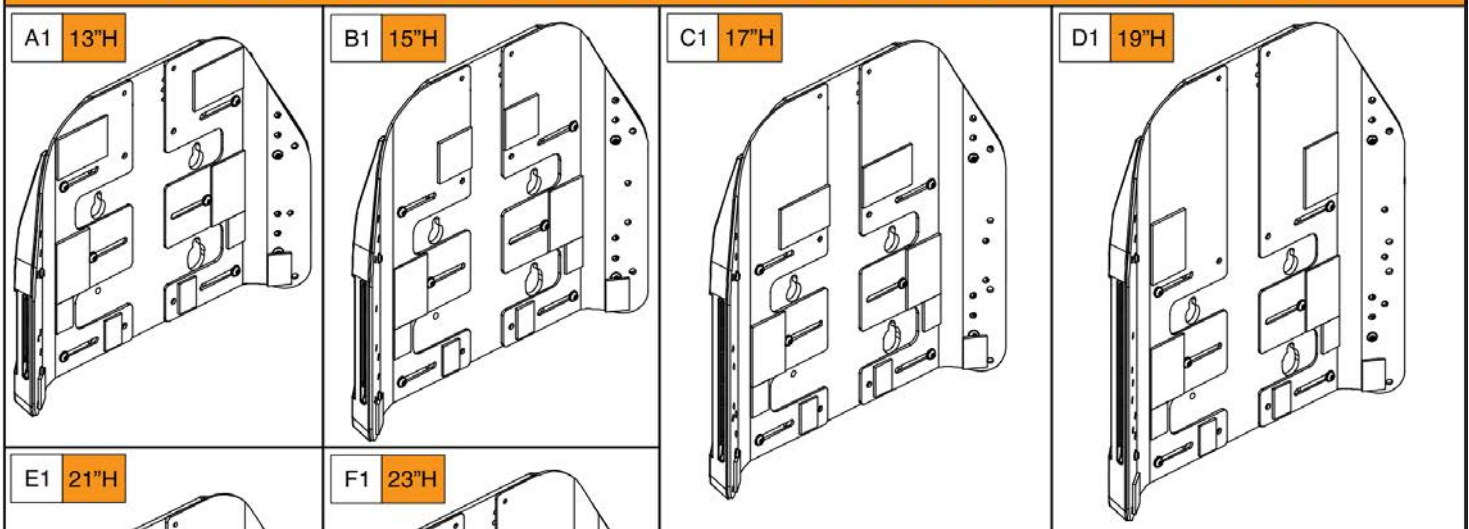
# 16"-20"W Back Pans, TB3 Redesigned Back



Item	Part No.	Name	Qty
A1	SET1902548	SEAT BACK,ASSY,16"W-20"W,13"H,W/MOUNTING HARDWARE	1
B1	SET1902568	SEAT BACK,ASSY,16"W-20"W,15"H,W/MOUNTING HARDWARE	1
C1	SET1902599	SEAT BACK,ASSY,16"W-20"W,17"H,W/MOUNTING HARDWARE	1
D1	SET1902611	SEAT BACK,ASSY,16"W-20"W,19"H,W/MOUNTING HARDWARE	1
E1	SET1902624	SEAT BACK,ASSY,16"W-20"W,21"H,W/MOUNTING HARDWARE	1
F1	SET1902636	SEAT BACK,ASSY,16"W-20"W,23"H,W/MOUNTING HARDWARE	1
G1	MEC1906116	SEAT BACK,ASSY,HEIGHT EXTENSION,16"W-20" W,W/HARDWARE	1
H1	SCRASBH1264	SCREW,BHSCS,BLACK ZINC,M6-1.0 X 15MM,GRADE 10.9	2

6.4. Back Pan Assy's

TB4 Back Pan Assy's - 18"-22"W (Reference the notes and sizing chart below)



**25"H Back** To procure the 25"H Back assy, the 23"H Back Pan assy (F1), the 2" Height Extension assy (G1), & the Extension Hardware (H1) must be selected.

F1	23"H Pan Assy
G1	Height Extension Assy
H1	Height Extension Hardware x2

Ref	Back Height	Overall Back Heights:	
		Static/Tilt Backs <sup>1</sup>	Recline Backs <sup>2</sup>
A1	13"H	16" or 17"	19" or 20"
B1	15"H	18" or 19"	21" or 22"
C1	17"H	20" or 21"	23" or 24"
D1	19"H	22" or 23"	25" or 26"
E1	21"H	24" or 25"	27" or 28"
F1	23"H	26" or 27"	29" or 30"
F1 / G1 / H1	25"H	28" or 29"	31" or 32"

<sup>1</sup> The sizes represent a cushion to pan gap of 3" for even sized overall back heights and 4" for odd sized overall back heights.  
<sup>2</sup> The sizes represent a cushion to pan gap of 6" for odd sized overall back heights and 7" for even sized overall back heights

**Notes:**

- The Back Pan assy's are utilized with both Sport Back 4 & TRU-Comfort Back 4 assy's.
- Painted side cover inserts are not included with the back pan assy's.
- Individual components are not available separately. The assy must be selected.
- 25"H backs utilize extension plates to achieve the back height. The plates are affixed to the 23"H back pan assy.

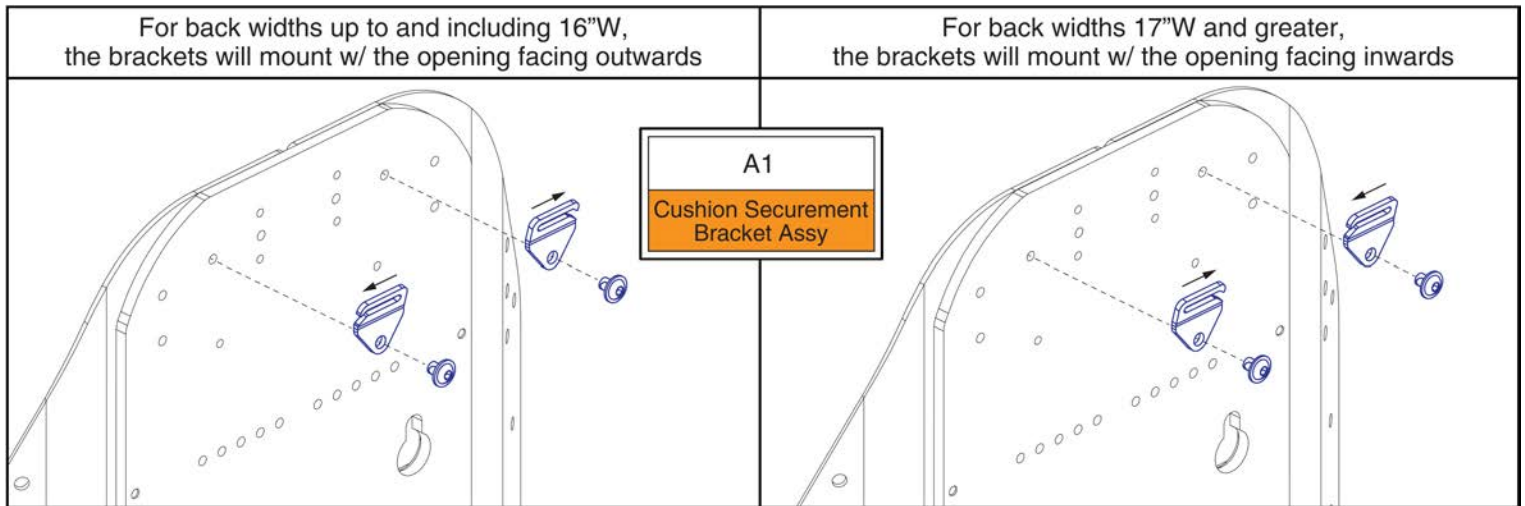


# 18"-22"W Back Pans, TB3 Redesigned Back



Item	Part No.	Name	Qty
A1	SET1902552	SEAT BACK,ASSY,18"W-22"W,13"H,W/MOUNTING HARDWARE	1
B1	SET1902573	SEAT BACK,ASSY,18"W-22"W,15"H,W/MOUNTING HARDWARE	1
C1	SET1902602	SEAT BACK,ASSY,18"W-22"W,17"H,W/MOUNTING HARDWARE	1
D1	SET1902615	SEAT BACK,ASSY,18"W-22"W,19"H,W/MOUNTING HARDWARE	1
E1	SET1902627	SEAT BACK,ASSY,18"W-22"W,21"H,W/MOUNTING HARDWARE	1
F1	SET1902639	SEAT BACK,ASSY,18"W-22"W,23"H,W/MOUNTING HARDWARE	1
G1	MEC1906117	SEAT BACK,ASSY,HEIGHT EXTENSION,18"W-22" W,W/HARDWARE	1
H1	SCRASBH1264	SCREW,BHSCS,BLACK ZINC,M6-1.0 X 15MM,GRADE 10.9	2

6.4. Back Pan Assy's



**TB3 Back Cushion Securement Brackets**



Item	Part No.	Name	Qty
A1	MEC1907389	BACK CUSHION SECUREMENT BRACKET, REDESIGNED BACK, PAIR	1

6.4. Back Pan Assy's



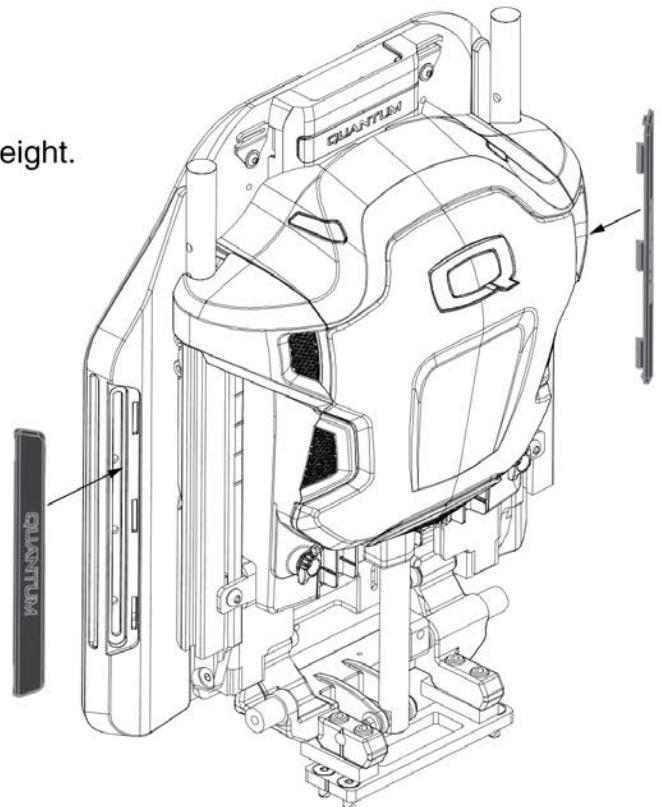
**Notes:**

- A quantity of 2 must be selected for the pair.
- The illustration depicts the 17\"/>

Ref	Back Height	Overall Back Heights:	
		Static/Tilt Backs <sup>1</sup>	Recline Backs <sup>2</sup>
A1	13\"/>		
B1	15\"/>		
C1	17\"/>		
D1	19\"/>		
E1	21\"/>		
F1	23\"/>		

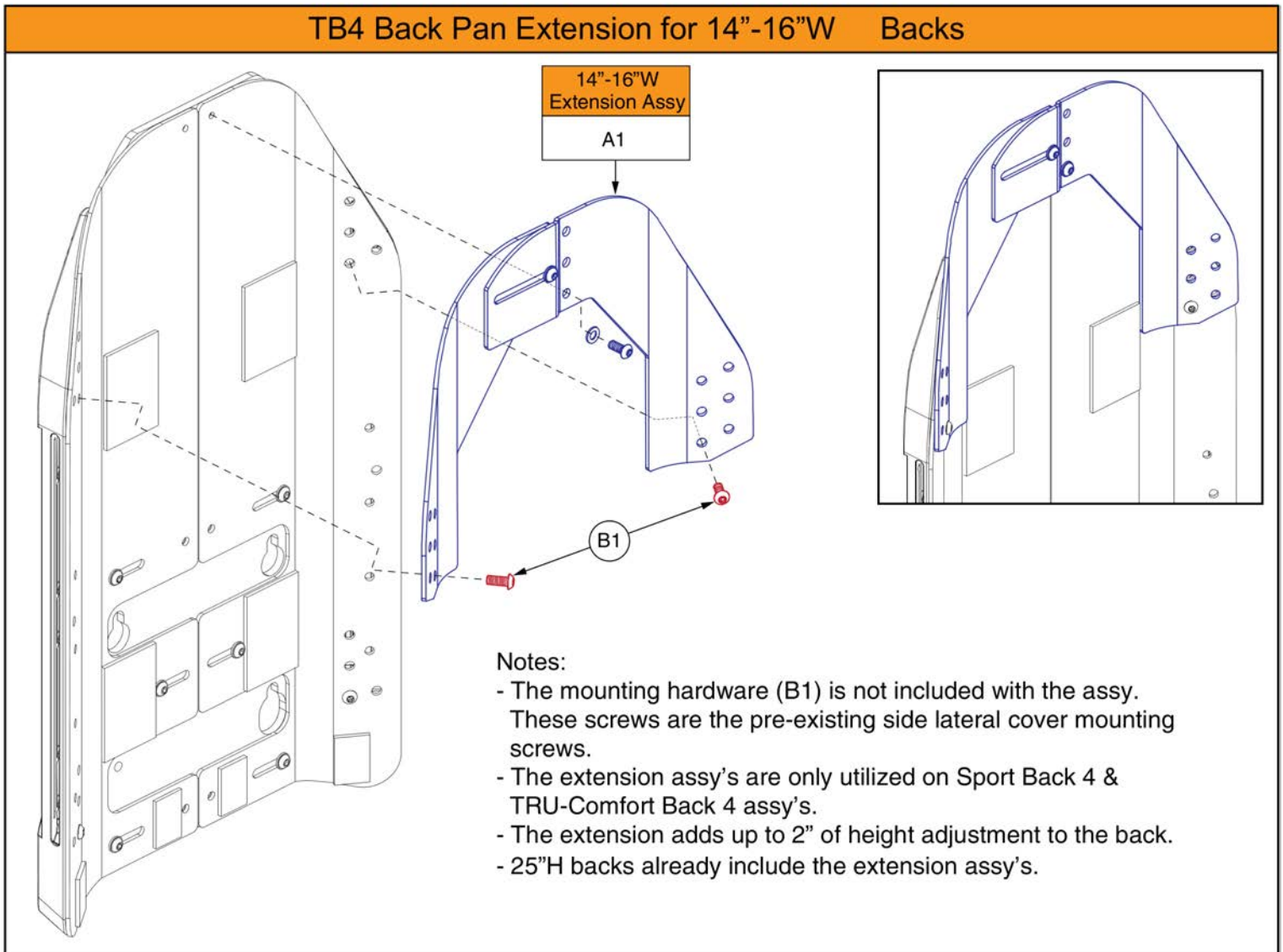
<sup>1</sup>. The sizes represent a cushion to pan gap of 3\"/>

<sup>2</sup>. The sizes represent a cushion to pan gap of 6\"/>



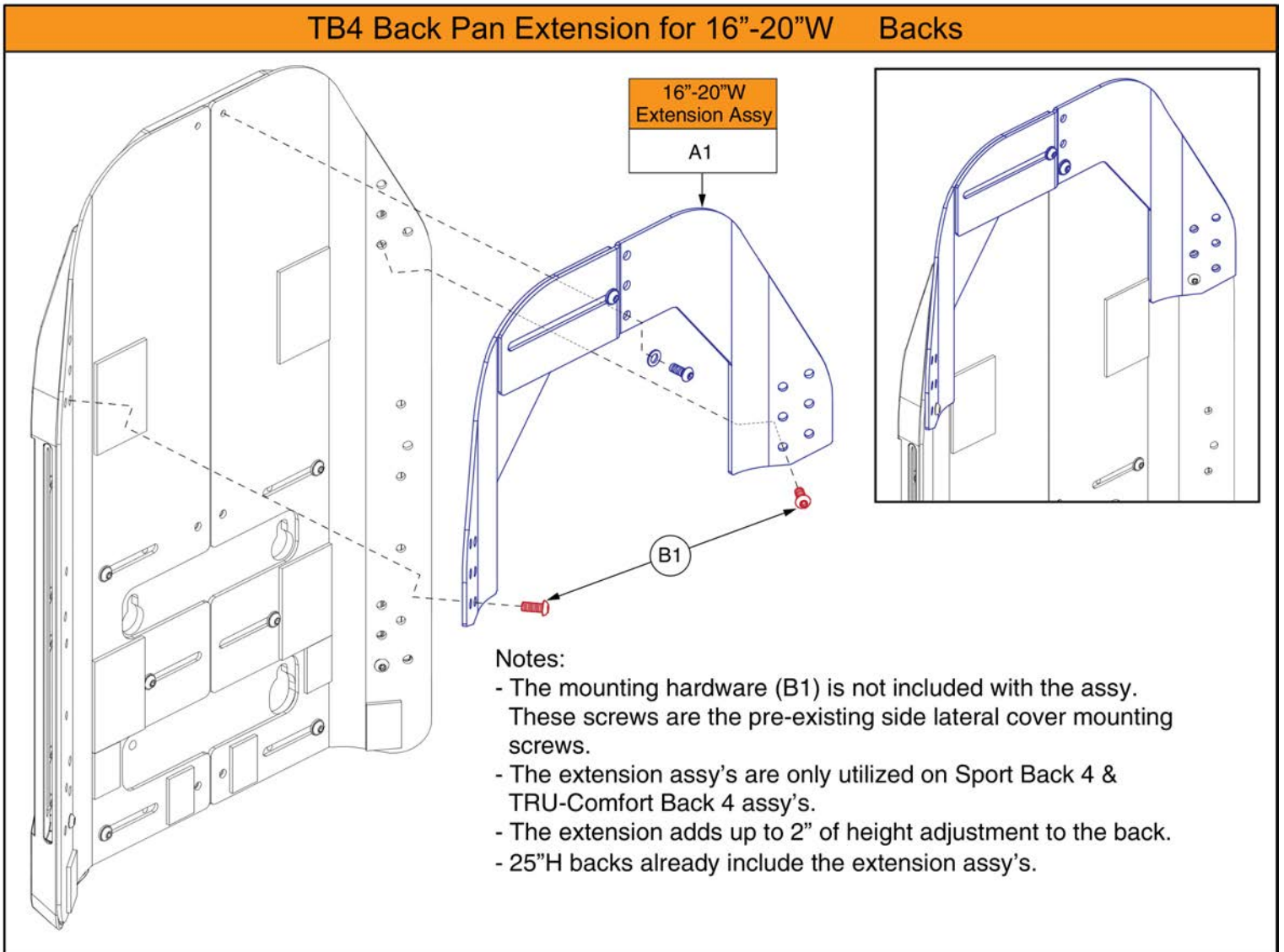
Item	Part No.	Name	Qty
A1	DGN1804554-PBK3	BACK PAN,SIDE SHROUD,13"H,PLASTIC,PPW-BLK-03(NIGHT TRAIN)(DGN1804554)	1
B1	DGN1804555-PBK3	BACK PAN,SIDE SHROUD,15"H,PLASTIC,PPW-BLK-03(NIGHT TRAIN)(DGN1804555)	1
C1	DGN1804556-PBK3	BACK PAN,SIDE SHROUD,17"H,PLASTIC,PPW-BLK-03(NIGHT TRAIN)(DGN1804556)	1
D1	DGN1714328-PBK3	BACK PAN,SIDE SHROUD,19"H,PLASTIC,PPW-BLK-03(NIGHT TRAIN)(DGN1714328)	1
E1	DGN1804557-PBK3	BACK PAN,SIDE SHROUD,21"H,PLASTIC,PPW-BLK-03(NIGHT TRAIN)(DGN1804557)	1
F1	DGN1804558-PBK3	BACK PAN,SIDE SHROUD,23"H,PLASTIC,PPW-BLK-03(NIGHT TRAIN)(DGN1804558)	1

6.5. Back Height Extensions



Item	Part No.	Name	Qty
A1	MEC1906115	SEAT BACK,ASSY,HEIGHT EXTENSION,14"W-16" W,W/HARDWARE	1
B1	SCRASBH1264	SCREW,BHSCS,BLACK ZINC,M6-1.0 X 15MM,GRADE 10.9	2

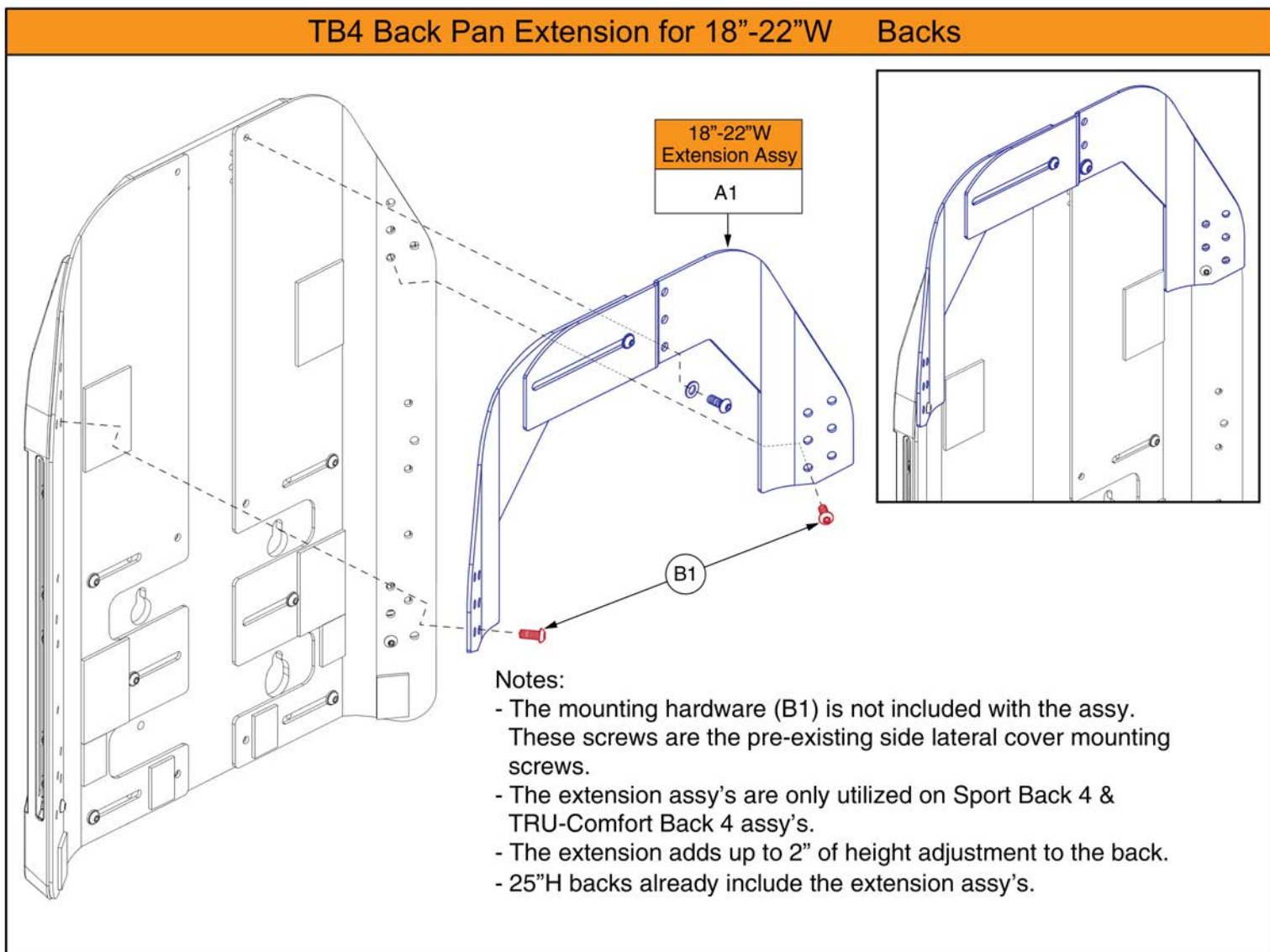
6.5. Back Height Extensions





Item	Part No.	Name	Qty
A1	MEC1906116	SEAT BACK,ASSY,HEIGHT EXTENSION,16"W-20" W,W/HARDWARE	1
B1	SCRASBH1264	SCREW,BHSCS,BLACK ZINC,M6-1.0 X 15MM,GRADE 10.9	2

6.5. Back Height Extensions



Item	Part No.	Name	Qty
A1	MEC1906117	SEAT BACK,ASSY,HEIGHT EXTENSION,18"W-22" W,W/HARDWARE	1
B1	SCRASBH1264	SCREW,BHSCS,BLACK ZINC,M6-1.0 X 15MM,GRADE 10.9	2

6.6. Seat Back Serviceable Components

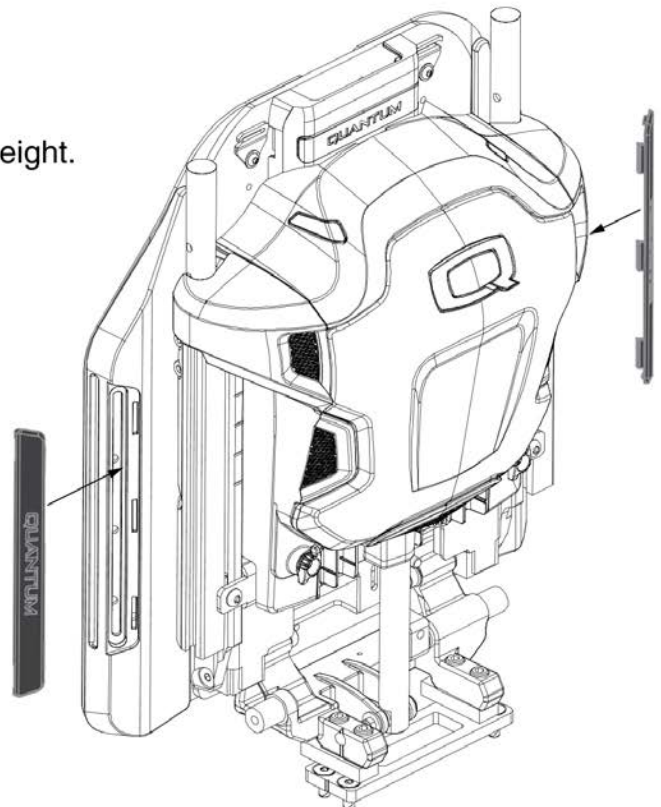


**Notes:**

- A quantity of 2 must be selected for the pair.
- The illustration depicts the 17” variant for clarity.
- **Important!** Reference the chart for sizing information.
- 25”H backs utilize extension plates to achieve the back height. 23”H inserts and back assy’s are utilized for 25”H backs.

Ref	Back Height	Overall Back Heights:	
		Static/Tilt Backs <sup>1</sup>	Recline Backs <sup>2</sup>
A1	13”H	16” or 17”	19” or 20”
B1	15”H	18” or 19”	21” or 22”
C1	17”H	20” or 21”	23” or 24”
D1	19”H	22” or 23”	25” or 26”
E1	21”H	24” or 25”	27” or 28”
F1	23”H / 25”H	26” or 27”/ 28” or 29”	29” or 30”/ 31” or 32”

<sup>1</sup>. The sizes represent a cushion to pan gap of 3” for even sized overall back heights and 4” for odd sized overall back heights.  
<sup>2</sup>. The sizes represent a cushion to pan gap of 6” for odd sized overall back heights and 7” for even sized overall back heights.



Item	Part No.	Name	Qty
A1	DGN1804554-PBK3	BACK PAN,SIDE SHROUD,13"H,PLASTIC,PPW-BLK-03(NIGHT TRAIN)(DGN1804554)	1
B1	DGN1804555-PBK3	BACK PAN,SIDE SHROUD,15"H,PLASTIC,PPW-BLK-03(NIGHT TRAIN)(DGN1804555)	1
C1	DGN1804556-PBK3	BACK PAN,SIDE SHROUD,17"H,PLASTIC,PPW-BLK-03(NIGHT TRAIN)(DGN1804556)	1
D1	DGN1714328-PBK3	BACK PAN,SIDE SHROUD,19"H,PLASTIC,PPW-BLK-03(NIGHT TRAIN)(DGN1714328)	1
E1	DGN1804557-PBK3	BACK PAN,SIDE SHROUD,21"H,PLASTIC,PPW-BLK-03(NIGHT TRAIN)(DGN1804557)	1
F1	DGN1804558-PBK3	BACK PAN,SIDE SHROUD,23"H,PLASTIC,PPW-BLK-03(NIGHT TRAIN)(DGN1804558)	1

6.6. Seat Back Serviceable Components

**TB4 Back Side Lateral Covers**  
(Does Not Include Mounting Hardware)

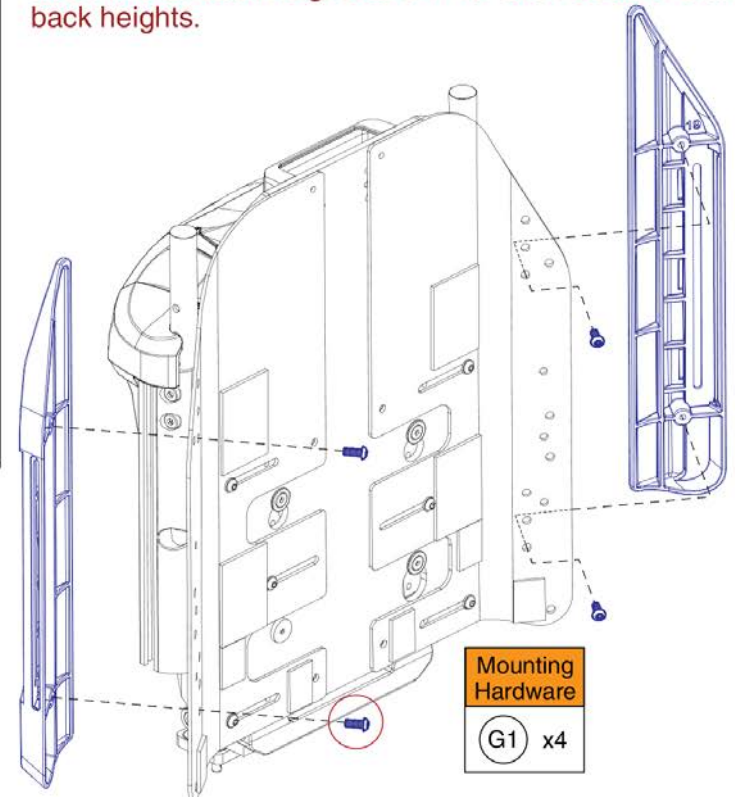
<p><b>13"H Back</b></p> <table border="1" style="width: 100%; border-collapse: collapse;"> <tr><td>A1</td><td>Pair</td></tr> <tr><td>A1a</td><td>Right</td></tr> <tr><td>A1b</td><td>Left</td></tr> </table>	A1	Pair	A1a	Right	A1b	Left	<p><b>15"H Back</b></p> <table border="1" style="width: 100%; border-collapse: collapse;"> <tr><td>B1</td><td>Pair</td></tr> <tr><td>B1a</td><td>Right</td></tr> <tr><td>B1b</td><td>Left</td></tr> </table>	B1	Pair	B1a	Right	B1b	Left
A1	Pair												
A1a	Right												
A1b	Left												
B1	Pair												
B1a	Right												
B1b	Left												
<p><b>17"H Back</b></p> <table border="1" style="width: 100%; border-collapse: collapse;"> <tr><td>C1</td><td>Pair</td></tr> <tr><td>C1a</td><td>Right</td></tr> <tr><td>C1b</td><td>Left</td></tr> </table>	C1	Pair	C1a	Right	C1b	Left	<p><b>19"H Back</b></p> <table border="1" style="width: 100%; border-collapse: collapse;"> <tr><td>D1</td><td>Pair</td></tr> <tr><td>D1a</td><td>Right</td></tr> <tr><td>D1b</td><td>Left</td></tr> </table>	D1	Pair	D1a	Right	D1b	Left
C1	Pair												
C1a	Right												
C1b	Left												
D1	Pair												
D1a	Right												
D1b	Left												
<p><b>21"H Back</b></p> <table border="1" style="width: 100%; border-collapse: collapse;"> <tr><td>E1</td><td>Pair</td></tr> <tr><td>E1a</td><td>Right</td></tr> <tr><td>E1b</td><td>Left</td></tr> </table>	E1	Pair	E1a	Right	E1b	Left	<p><b>23"H / 25"H Back</b></p> <table border="1" style="width: 100%; border-collapse: collapse;"> <tr><td>F1</td><td>Pair</td></tr> <tr><td>F1a</td><td>Right</td></tr> <tr><td>F1b</td><td>Left</td></tr> </table>	F1	Pair	F1a	Right	F1b	Left
E1	Pair												
E1a	Right												
E1b	Left												
F1	Pair												
F1a	Right												
F1b	Left												

Notes:

- Painted inserts are not included with the cover assy's.
- Mounting hardware is not included with the assy's.
- The illustration depicts the 19" variant for clarity.
- Important! Reference the chart for sizing information.
- 25"H backs utilize extension plates to achieve the back height. Therefore 23"H Lateral Side Covers and back assy's are utilized for 25"H backs.

				Overall Back Heights:	
Pair	R	L	Back Height	Static/Tilt Backs <sup>1</sup>	Recline Backs <sup>2</sup>
A1	A1a	A1b	13"H	16" or 17"	19" or 20"
B1	B1a	B1b	15"H	18" or 19"	21" or 22"
C1	C1a	C1b	17"H	20" or 21"	23" or 24"
D1	D1a	D1b	19"H	22" or 23"	25" or 26"
E1	E1a	E1b	21"H	24" or 25"	27" or 28"
F1	F1a	F1b	23"H / 25"H	26" or 27"/ 28" or 29"	29" or 30"/ 31" or 32"

- <sup>1</sup> The sizes represent a cushion to pan gap of 3" for even sized overall back heights and 4" for odd sized overall back heights.
- <sup>2</sup> The sizes represent a cushion to pan gap of 6" for odd sized overall back heights and 7" for even sized overall back heights.

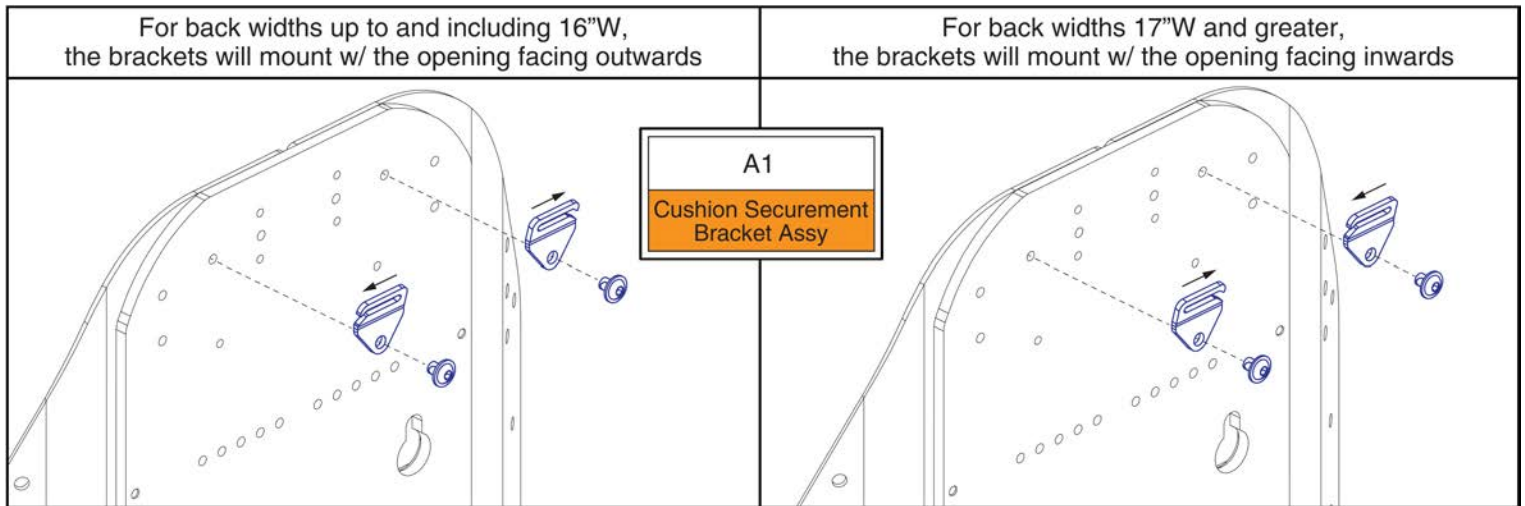


# Lateral Side Covers, TB3 Redesigned Back



Item	Part No.	Name	Qty
A1	MEC1904509	SIDE LATERAL COVER,13"H,REDESIGNED BACK,PAIR	1
A1a	MEC1804303	TB4-BACK PAN SIDE COVER, 13H, RH	1
A1b	MEC1804302	TB4-BACK PAN SIDE COVER, 13H, LH	1
B1	MEC1904510	SIDE LATERAL COVER,15"H,REDESIGNED BACK,PAIR	1
B1a	MEC1804305	TB4-BACK PAN SIDE COVER, 15H, RH	1
B1b	MEC1804304	TB4-BACK PAN SIDE COVER, 15H, LH	1
C1	MEC1904511	SIDE LATERAL COVER,17"H,REDESIGNED BACK,PAIR	1
C1a	MEC1804307	TB4-BACK PAN SIDE COVER, 17H, RH	1
C1b	MEC1804306	TB4-BACK PAN SIDE COVER, 17H, LH	1
D1	MEC1904512	SIDE LATERAL COVER,19"H,REDESIGNED BACK,PAIR	1
D1a	MEC1804309	TB4-BACK PAN SIDE COVER, 19H, RH	1
D1b	MEC1804308	TB4-BACK PAN SIDE COVER, 19H, LH	1
E1	MEC1904513	SIDE LATERAL COVER,21"H,REDESIGNED BACK,PAIR	1
E1a	MEC1804311	TB4-BACK PAN SIDE COVER, 21H, RH	1
E1b	MEC1804310	TB4-BACK PAN SIDE COVER, 21H, LH	1
F1	MEC1904515	SIDE LATERAL COVER,23"H,REDESIGNED BACK,PAIR	1
F1a	MEC1804313	TB4-BACK PAN SIDE COVER, 23H, RH	1
F1b	MEC1804312	TB4-BACK PAN SIDE COVER, 23H, LH	1
G1	SCRASBH1264	SCREW,BHSCS,BLACK ZINC,M6-1.0 X 15MM,GRADE 10.9	4

6.6. Seat Back Serviceable Components





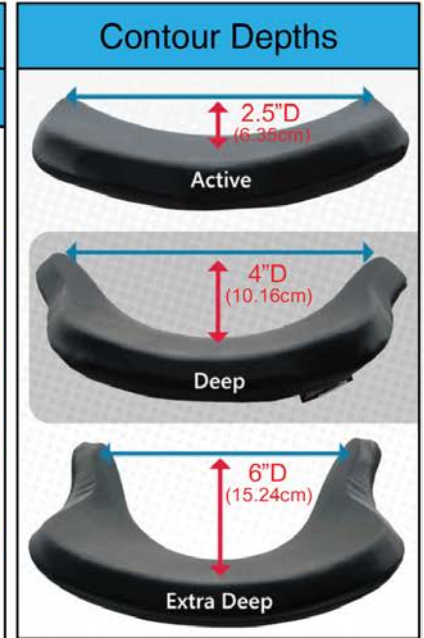
**TB3 Back Cushion Securement Brackets**



Item	Part No.	Name	Qty
A1	MEC1907389	BACK CUSHION SECUREMENT BRACKET,REDESIGNED BACK,PAIR	1

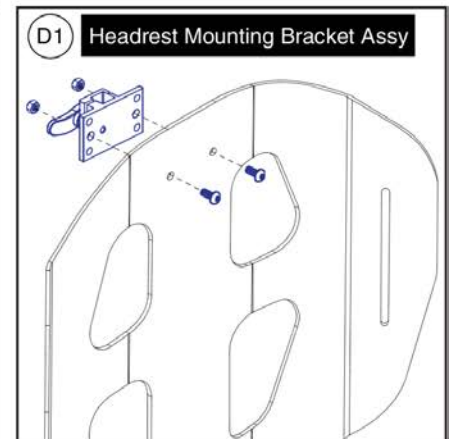
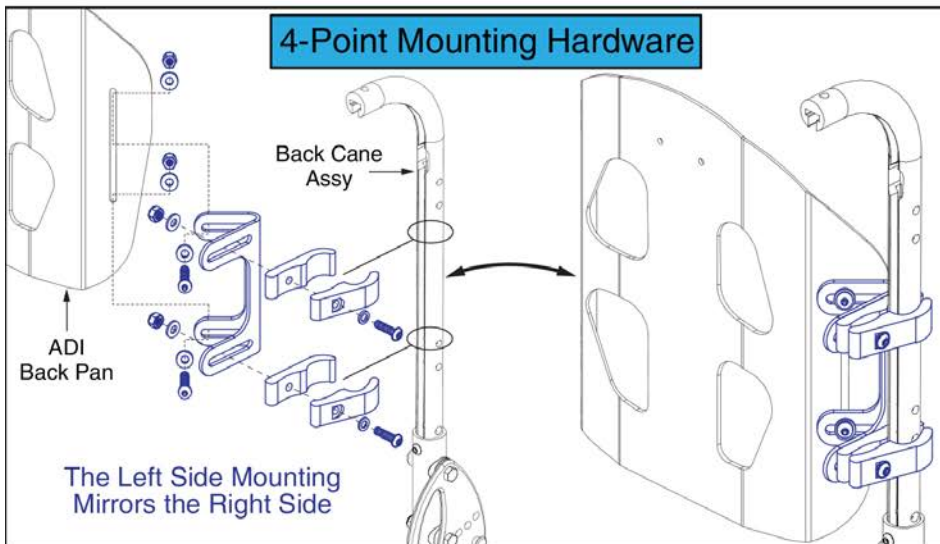
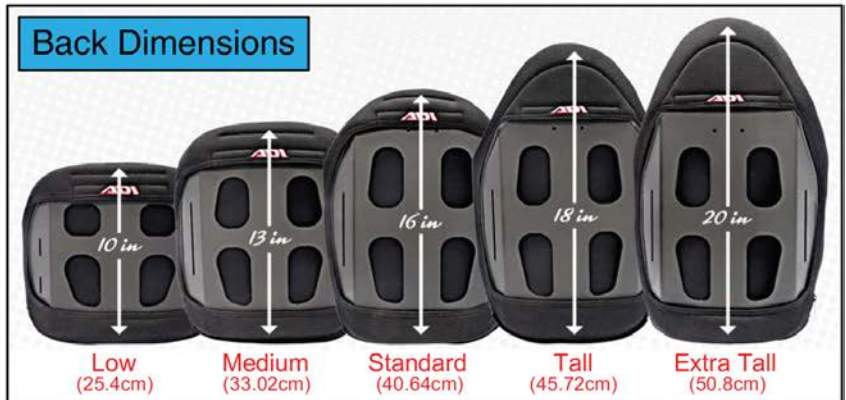
7. Stealth Backs

Stealth ADI Seat Back Assy's								
The assy's include the Back Pan, Back Cushion, and the 4-Point Mounting Hardware. Individual components are not available from replacement.								
Active Contour			Deep Contour			Extra Deep Contour		
Ref	Back Size	Config.	Ref	Back Size	Config.	Ref	Back Size	Config.
A1	14"W x 10"H	Low	B1	14"W x 10"H	Low	C1	16"W x 18"H	Tall
A2	14"W x 13"H	Medium	B2	14"W x 13"H	Medium	C2	16"W x 20"H	Ex. Tall
A3	16"W x 16"H	Std.	B3	16"W x 16"H	Std.	C3	18"W x 16"H	Std.
A4	16"W x 18"H	Tall	B4	16"W x 18"H	Tall	C4	18"W x 18"H	Tall
A5	16"W x 20"H	Ex. Tall	B5	16"W x 20"H	Ex. Tall	C5	18"W x 20"H	Ex. Tall
A6	18"W x 16"H	Std.	B6	18"W x 16"H	Std.	C6	20"W x 16"H	Std.
A7	18"W x 18"H	Tall	B7	18"W x 18"H	Tall	C7	20"W x 18"H	Tall
A8	18"W x 20"H	Ex. Tall	B8	18"W x 20"H	Ex. Tall	C8	20"W x 20"H	Ex. Tall
A9	20"W x 16"H	Std.	B9	20"W x 16"H	Std.			
A10	20"W x 18"H	Tall	B10	20"W x 18"H	Tall			
A11	20"W x 20"H	Ex. Tall	B11	20"W x 20"H	Ex. Tall			



Back Height Matrix			
ADI Back Height	Overall Seat Back Height <sup>1</sup>	TB3 Back Cane Height	Synergy/TBFlex Back Cane Height
10"H	13" or 14"	16"	16"
13"H	16" or 17"	17"	17" or 18"
16"H	19" or 20"	20" or 21"	20" to 22"
18"H	21" or 22"	24"	22" to 24"
20"H	23" or 24"	24" or 25"	24" or 25"

<sup>1</sup> The sizes represent a cushion to pan gap of 3" for odd sized overall back heights and 4" for even sized overall back heights.



# Stealth ADI Seat Backs, Cane Mounted



Item	Part No.	Name	Qty
A1	ALBR14LA4	ADI BACK,AL SERIES,ACTIVE CONTOUR,4-POINT,14"W,10"H	1
A2	ALBR14MA4	ADI BACK,AL SERIES,ACTIVE CONTOUR,4-POINT,14"W,13"H	1
A3	ALBR16SA4	ADI BACK,AL SERIES,ACTIVE CONTOUR,4-POINT,16"W,16"H	1
A4	ALBR16TA4	ADI BACK,AL SERIES,ACTIVE CONTOUR,4-POINT,16"W,18"H	1
A5	ALBR16XA4	ADI BACK,AL SERIES,ACTIVE CONTOUR,4-POINT,16"W,20"H	1
A6	ALBR18SA4	ADI BACK,AL SERIES,ACTIVE CONTOUR,4-POINT,18"W,16"H	1
A7	ALBR18TA4	ADI BACK,AL SERIES,ACTIVE CONTOUR,4-POINT,18"W,18"H	1
A8	ALBR18XA4	ADI BACK,AL SERIES,ACTIVE CONTOUR,4-POINT,18"W,20"H	1
A9	ALBR20SA4	ADI BACK,AL SERIES,ACTIVE CONTOUR,4-POINT,20"W,16"H	1
A10	ALBR20TA4	ADI BACK,AL SERIES,ACTIVE CONTOUR,4-POINT,20"W,18"H	1
A11	ALBR20XA4	ADI BACK,AL SERIES,ACTIVE CONTOUR,4-POINT,20"W,20"H	1
B1	ALBR14LD4	ADI BACK,AL SERIES,DEEP CONTOUR,4-POINT,14"W,10"H	1
B2	ALBR14MD4	ADI BACK,AL SERIES,DEEP CONTOUR,4-POINT,14"W,13"H	1
B3	ALBR16SD4	ADI BACK,AL SERIES,DEEP CONTOUR,4-POINT,16"W,16"H	1
B4	ALBR16TD4	ADI BACK,AL SERIES,DEEP CONTOUR,4-POINT,16"W,18"H	1
B5	ALBR16XD4	ADI BACK,AL SERIES,DEEP CONTOUR,4-POINT,16"W,20"H	1
B6	ALBR18SD4	ADI BACK,AL SERIES,DEEP CONTOUR,4-POINT,18"W,16"H	1
B7	ALBR18TD4	ADI BACK,AL SERIES,DEEP CONTOUR,4-POINT,18"W,18"H	1
B8	ALBR18XD4	ADI BACK,AL SERIES,DEEP CONTOUR,4-POINT,18"W,20"H	1
B9	ALBR20SD4	ADI BACK,AL SERIES,DEEP CONTOUR,4-POINT,20"W,16"H	1
B10	ALBR20TD4	ADI BACK,AL SERIES,DEEP CONTOUR,4-POINT,20"W,18"H	1
B11	ALBR20XD4	ADI BACK,AL SERIES,DEEP CONTOUR,4-POINT,20"W,20"H	1
C1	ALBR16T64	ADI BACK,AL SERIES,EXTRA DEEP CONTOUR,4-POINT,16"W,18"H	1
C2	ALBR16X64	ADI BACK,AL SERIES,EXTRA DEEP CONTOUR,4-POINT,16"W,20"H	1
C3	ALBR18S64	ADI BACK,AL SERIES,EXTRA DEEP CONTOUR,4-POINT,18"W,16"H	1
C4	ALBR18T64	ADI BACK,AL SERIES,EXTRA DEEP CONTOUR,4-POINT,18"W,18"H	1
C5	ALBR18X64	ADI BACK,AL SERIES,EXTRA DEEP CONTOUR,4-POINT,18"W,20"H	1
C6	ALBR20S64	ADI BACK,AL SERIES,EXTRA DEEP CONTOUR,4-POINT,20"W,16"H	1
C7	ALBR20T64	ADI BACK,AL SERIES,EXTRA DEEP CONTOUR,4-POINT,20"W,18"H	1
C8	ALBR20X64	ADI BACK,AL SERIES,EXTRA DEEP CONTOUR,4-POINT,20"W,20"H	1
D1	SET167884	HEADREST BRACKET MOUNTING HARDWARE,ASSY,STEALTH,Q-BACK 1	1

7. Stealth Backs

The Assembly contains the Back Pan, Cushion, and Mounting Hardware.  
The individual components are not available for replacement.

Active Contour	
Ref	Back Pan Size
A1	16"W x 16"H
A2	16"W x 18"H
A3	18"W x 16"H
A4	18"W x 18"H
A5	20"W x 16"H
A6	20"W x 18"H

Deep Contour	
Ref	Back Pan Size
B1	16"W x 16"H
B2	16"W x 18"H
B3	18"W x 16"H
B4	18"W x 18"H
B5	20"W x 16"H
B6	20"W x 18"H

Extra Deep Contour	
Ref	Back Pan Size
C1	16"W x 16"H
C2	16"W x 18"H
C3	18"W x 16"H
C4	18"W x 18"H
C5	20"W x 16"H
C6	20"W x 18"H

Back Pan Size	For use on units w/ overall back Heights of:	
	Static/Tilt Backs <sup>1</sup>	Recline Backs <sup>2</sup>
16"W x 16"H	19" or 20"	22" or 23"
16"W x 18"H	21" or 22"	24" or 25"
18"W x 16"H	19" or 20"	22" or 23"
18"W x 18"H	21" or 22"	24" or 25"
20"W x 16"H	19" or 20"	22" or 23"
20"W x 18"H	21" or 22"	24" or 25"

<sup>1</sup> The sizes represent a cushion to pan gap of 3" for odd sized overall back heights and 4" for even sized overall back heights.

<sup>2</sup> The sizes represent a cushion to pan gap of 6" for even sized overall back heights and 7" for odd sized overall back heights.

**Lateral Bracket**

Complete Assemblies	
D1a	Right
D1b	Left

The bracket mounts on the interior of the back pan.

**Headrest Bracket**

E1

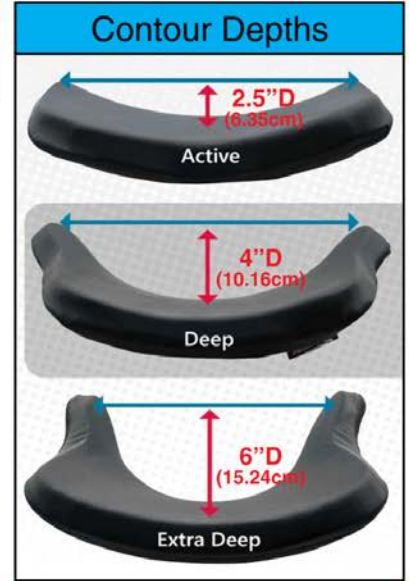
Item	Part No.	Name	Qty
A1	ALBR16SAQ	Q-BACK,AL SERIES,ACTIVE CONTOUR,16"W,16"H	1
A2	ALBR16TAQ	Q-BACK,AL SERIES,ACTIVE CONTOUR,16"W,18"H	1
A3	ALBR18SAQ	Q-BACK,AL SERIES,ACTIVE CONTOUR,18"W,16"H	1
A4	ALBR18TAQ	Q-BACK,AL SERIES,ACTIVE CONTOUR,18"W,18"H	1
A5	ALBR20SAQ	Q-BACK,AL SERIES,ACTIVE CONTOUR,20"W,16"H	1
A6	ALBR20TAQ	Q-BACK,AL SERIES,ACTIVE CONTOUR,20"W,18"H	1
B1	ALBR16SDQ	Q-BACK,AL SERIES,DEEP CONTOUR,16"W,16"H	1
B2	ALBR16TDQ	Q-BACK,AL SERIES,DEEP CONTOUR,16"W,18"H	1
B3	ALBR18SDQ	Q-BACK,AL SERIES,DEEP CONTOUR,18"W,16"H	1
B4	ALBR18TDQ	Q-BACK,AL SERIES,DEEP CONTOUR,18"W,18"H	1
B5	ALBR20SDQ	Q-BACK,AL SERIES,DEEP CONTOUR,20"W,16"H	1
B6	ALBR20TDQ	Q-BACK,AL SERIES,DEEP CONTOUR,20"W,18"H	1
C1	ALBR16S6Q	Q-BACK,AL SERIES,EXTRA DEEP CONTOUR,16"W,16"H	1
C2	ALBR16T6Q	Q-BACK,AL SERIES,EXTRA DEEP CONTOUR,16"W,18"H	1
C3	ALBR18S6Q	Q-BACK,AL SERIES,EXTRA DEEP CONTOUR,18"W,16"H	1
C4	ALBR18T6Q	Q-BACK,AL SERIES,EXTRA DEEP CONTOUR,18"W,18"H	1
C5	ALBR20S6Q	Q-BACK,AL SERIES,EXTRA DEEP CONTOUR,20"W,16"H	1
C6	ALBR20T6Q	Q-BACK,AL SERIES,EXTRA DEEP CONTOUR,20"W,18"H	1
D1a	ST-TWBLT-QL-R	LATERAL HARDWARE,Q-BACK,RIGHT	1
D1b	ST-TWBLT-QL-L	LATERAL HARDWARE,Q-BACK,LEFT	1
E1	SET167884	HEADREST BRACKET MOUNTING HARDWARE,ASSY,STEALTH,Q-BACK 1	1

7. Stealth Backs

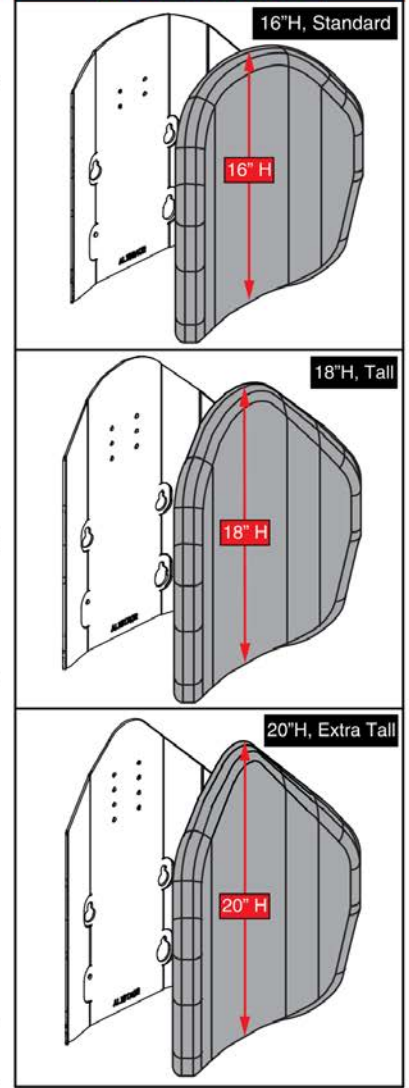
Active Contour			Deep Contour			Extra Deep Contour		
Ref	Back Size	Config.	Ref	Back Size	Config.	Ref	Back Size	Config.
A1	14"W x 16"H	Std.	B1	14"W x 16"H	Std.	C1	16"W x 16"H	Std.
A2	14"W x 18"H	Tall	B2	14"W x 18"H	Tall	C2	16"W x 18"H	Tall
A3	16"W x 16"H	Std.	B3	16"W x 16"H	Std.	C3	18"W x 16"H	Std.
A4	16"W x 18"H	Tall	B4	16"W x 18"H	Tall	C4	18"W x 18"H	Tall
A5	16"W x 20"H	Ex. Tall	B5	18"W x 16"H	Std.	C5	18"W x 20"H	Ex. Tall
A6	18"W x 16"H	Std.	B6	18"W x 18"H	Tall	C6	20"W x 16"H	Std.
A7	18"W x 18"H	Tall	B7	20"W x 16"H	Std.	C7	20"W x 18"H	Tall
A8	18"W x 20"H	Ex. Tall	B8	20"W x 18"H	Tall	C8	20"W x 20"H	Ex. Tall
A9	20"W x 16"H	Std.						
A10	20"W x 18"H	Tall						
A11	20"W x 20"H	Ex. Tall						

The assy's include the Back Pan & Back Cushion. Individual components are not available for replacement.

The Spacer Plate (E1) is required for installation.



Back Dimensions (Active Contour Shown)



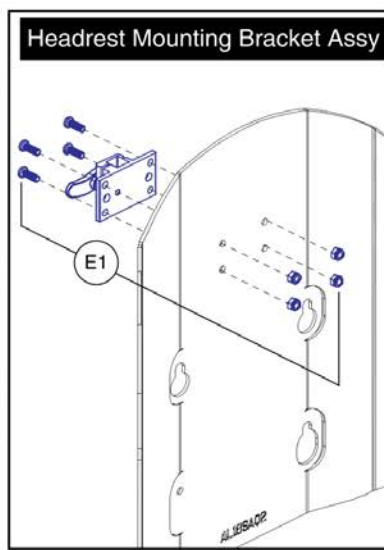
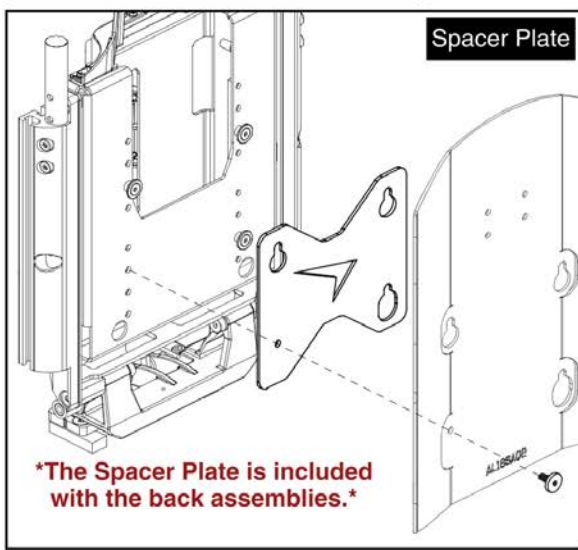
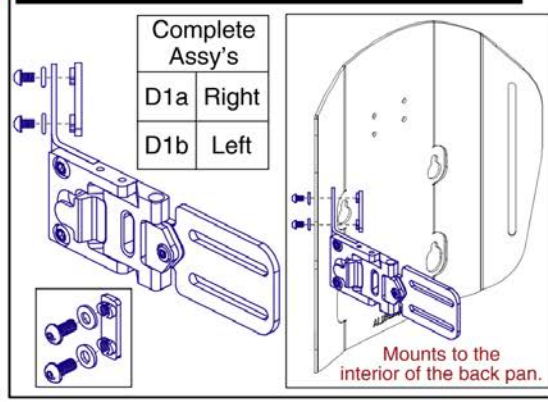
Back Height Matrix

Back Height	Overall Seat Back Heights	
	Static/Tilt Backs <sup>1</sup>	Recline Backs <sup>2</sup>
16"H	19" or 20"	22" or 23"
18"H	21" or 22"	24" or 25"
20"H	23" or 24"	26" or 27"

<sup>1</sup> The sizes represent a cushion to pan gap of 3" for odd sized overall heights & 4" for even sized overall heights.

<sup>2</sup> The sizes represent a cushion to pan gap of 6" for even sized overall heights & 7" for odd sized overall heights.

Lateral Bracket for Active Contour Back Plates

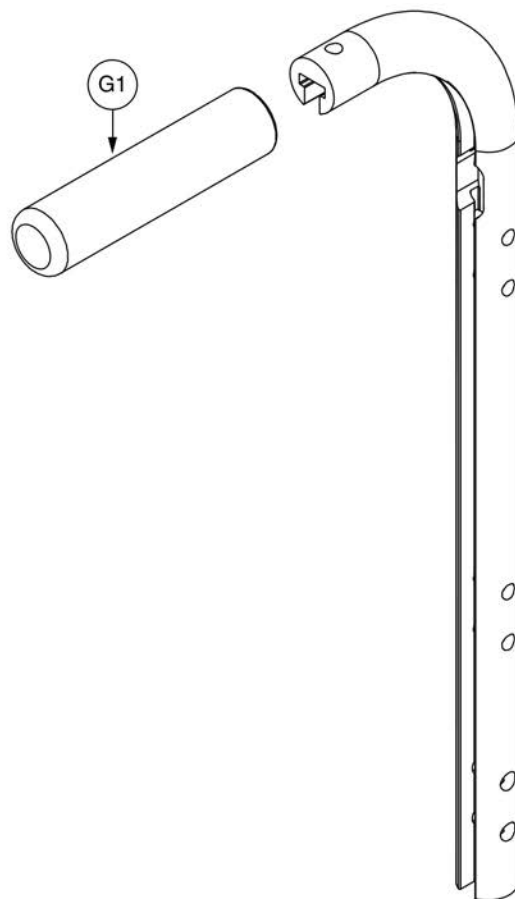


# Stealth ADI Q-Back 2 Contoured Seat Backs



Item	Part No.	Name	Qty
A1	QB2AL14AS	Q-BACK 2.0,AL SERIES,ACTIVE STANDARD,14"W,16"H,(ADI)	1
A2	QB2AL14AT	Q-BACK 2.0,AL SERIES,ACTIVE TALL,14"W,18"H,(ADI)	1
A3	QB2AL16AS	Q-BACK 2.0,AL SERIES,ACTIVE STANDARD,16"W,16"H,(ADI)	1
A4	QB2AL16AT	Q-BACK 2.0,AL SERIES,ACTIVE TALL,16"W,18"H,(ADI)	1
A5	QB2AL16AX	Q-BACK 2.0,AL SERIES,ACTIVE EXTRA TALL,16"W,20"H,(ADI)	1
A6	QB2AL18AS	Q-BACK 2.0,AL SERIES,ACTIVE STANDARD,18"W,16"H,(ADI)	1
A7	QB2AL18AT	Q-BACK 2.0,AL SERIES,ACTIVE TALL,18"W,18"H,(ADI)	1
A8	QB2AL18AX	Q-BACK 2.0,AL SERIES,ACTIVE EXTRA TALL,18"W,20"H,(ADI)	1
A9	QB2AL20AS	Q-BACK 2.0,AL SERIES,ACTIVE STANDARD,20"W,16"H,(ADI)	1
A10	QB2AL20AT	Q-BACK 2.0,AL SERIES,ACTIVE TALL,20"W,18"H,(ADI)	1
A11	QB2AL20AX	Q-BACK 2.0,AL SERIES,ACTIVE EXTRA TALL,20"W,20"H,(ADI)	1
B1	QB2AL14DS	Q-BACK 2.0,AL SERIES,DEEP STANDARD,14"W,16"H,(ADI)	1
B2	QB2AL14DT	Q-BACK 2.0,AL SERIES,DEEP TALL,14"W,18"H,(ADI)	1
B3	QB2AL16DS	Q-BACK 2.0,AL SERIES,DEEP STANDARD,16"W,16"H,(ADI)	1
B4	QB2AL16DT	Q-BACK 2.0,AL SERIES,DEEP TALL,16"W,18"H,(ADI)	1
B5	QB2AL18DS	Q-BACK 2.0,AL SERIES,DEEP STANDARD,18"W,16"H,(ADI)	1
B6	QB2AL18DT	Q-BACK 2.0,AL SERIES,DEEP TALL,18"W,18"H,(ADI)	1
B7	QB2AL20DS	Q-BACK 2.0,AL SERIES,DEEP STANDARD,20"W,16"H,(ADI)	1
B8	QB2AL20DT	Q-BACK 2.0,AL SERIES,DEEP TALL,20"W,18"H,(ADI)	1
C1	QB2AL166S	Q-BACK 2.0,AL SERIES,6" LATERALS,STANDARD,16"W,16"H,(ADI)	1
C2	QB2AL166T	Q-BACK 2.0,AL SERIES,6" LATERALS,TALL,16"W,18"H,(ADI)	1
C3	QB2AL186S	Q-BACK 2.0,AL SERIES,6" LATERALS,STANDARD,18"W,16"H,(ADI)	1
C4	QB2AL186T	Q-BACK 2.0,AL SERIES,6" LATERALS,TALL,18"W,18"H,(ADI)	1
C5	QB2AL18DX	Q-BACK 2.0,AL SERIES,DEEP EXTRA TALL,18"W,20"H,(ADI)	1
C6	QB2AL206S	Q-BACK 2.0,AL SERIES,6" LATERALS,STANDARD,20"W,16"H,(ADI)	1
C7	QB2AL206T	Q-BACK 2.0,AL SERIES,6" LATERALS,TALL,20"W,18"H,(ADI)	1
C8	QB2AL20DX	Q-BACK 2.0,AL SERIES,DEEP EXTRA TALL,20"W,20"H,(ADI)	1
D1a	ST-TWBLT-QL-R	LATERAL HARDWARE,Q-BACK,RIGHT	1
D1b	ST-TWBLT-QL-L	LATERAL HARDWARE,Q-BACK,LEFT	1
E1	SET150325	HEADREST BRACKET MOUNTING HARDWARE,ASSY,STEALTH,SYNERGY/TRU-BALANCE 2/Q-BACK 2	1

8. Back Cane & Back Cane Mounted Components



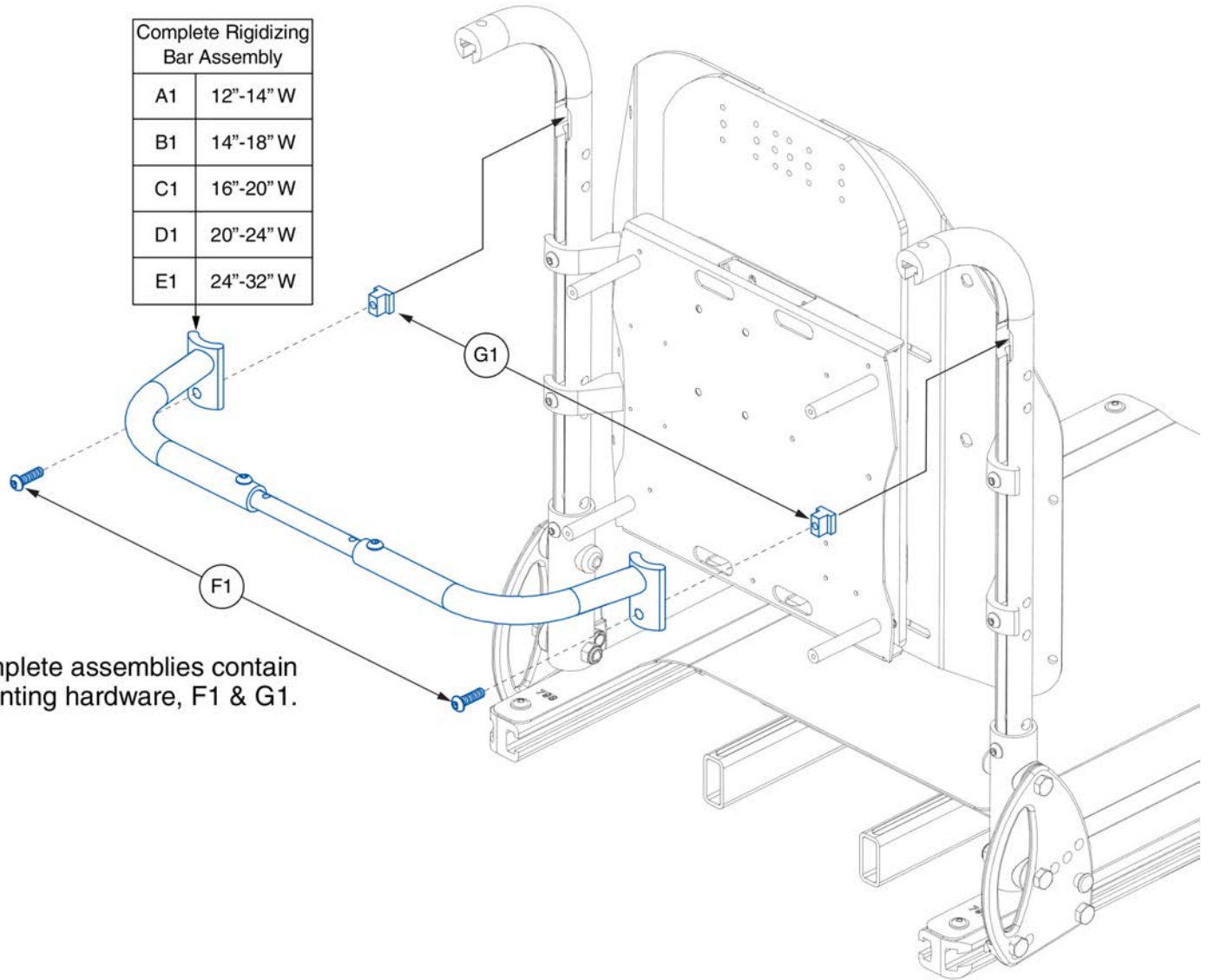
Complete Assemblies	
*Includes Foam Grip	
A1	16" Height
B1	17" Height
C1	20" Height
D1	21" Height
E1	24" Height
F1	25" Height



Item	Part No.	Name	Qty
A1	FRMASMB15834	BACK CANE,ASSY,W/SHORT PUSH HANDLE,16"H,6 HOLE	1
B1	FRMASMB15835	BACK CANE,ASSY,W/SHORT PUSH HANDLE,17"H,6 HOLE	1
C1	FRMASMB15838	BACK CANE,ASSY,W/SHORT PUSH HANDLE,20"H,6 HOLE	1
D1	FRMASMB15839	BACK CANE,ASSY,W/SHORT PUSH HANDLE,21"H,6 HOLE	1
E1	FRMASMB15842	BACK CANE,ASSY,W/SHORT PUSH HANDLE,24"H,6 HOLE	1
F1	FRMASMB15843	BACK CANE,ASSY,W/SHORT PUSH HANDLE,25"H,6 HOLE	1
G1	PROHDLC1052	HAND GRIP,BLACK,FOAM,.94"ID X 5.00"L X .125"TH	1

8. Back Cane & Back Cane Mounted Components

Complete Rigidizing Bar Assembly	
A1	12"-14" W
B1	14"-18" W
C1	16"-20" W
D1	20"-24" W
E1	24"-32" W



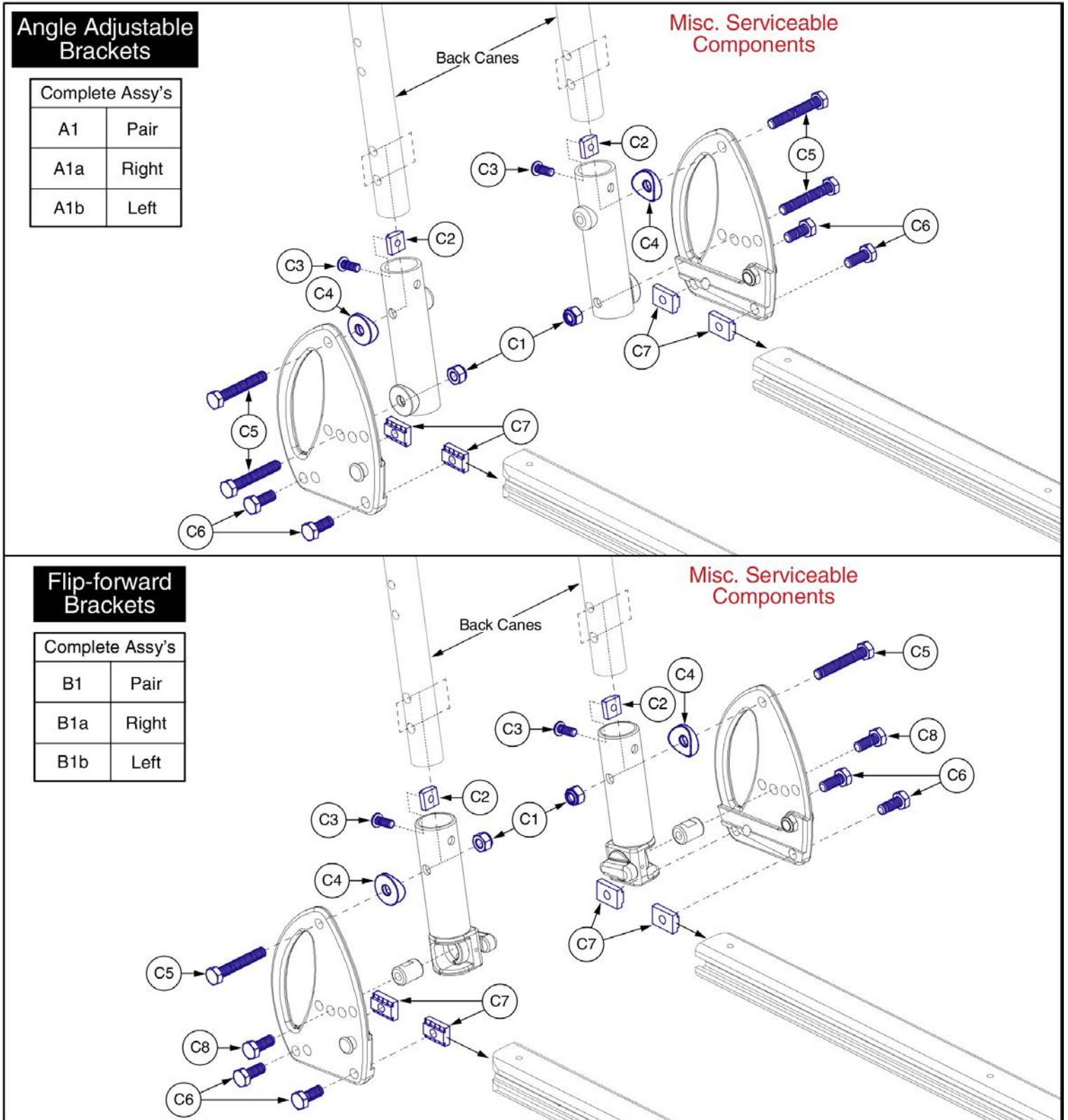
The complete assemblies contain the mounting hardware, F1 & G1.

## Back Cane Rigidizing Bars, TB3



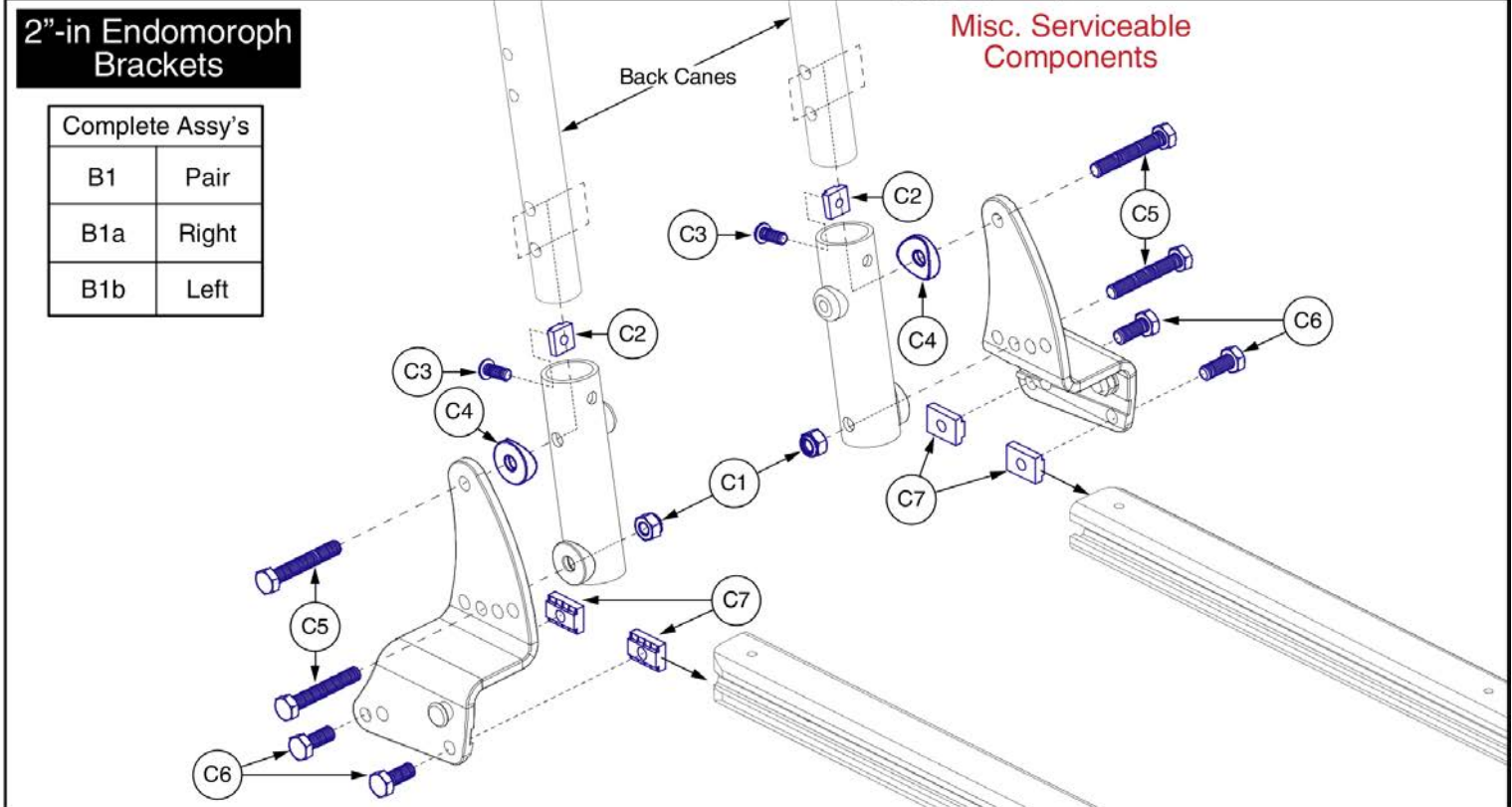
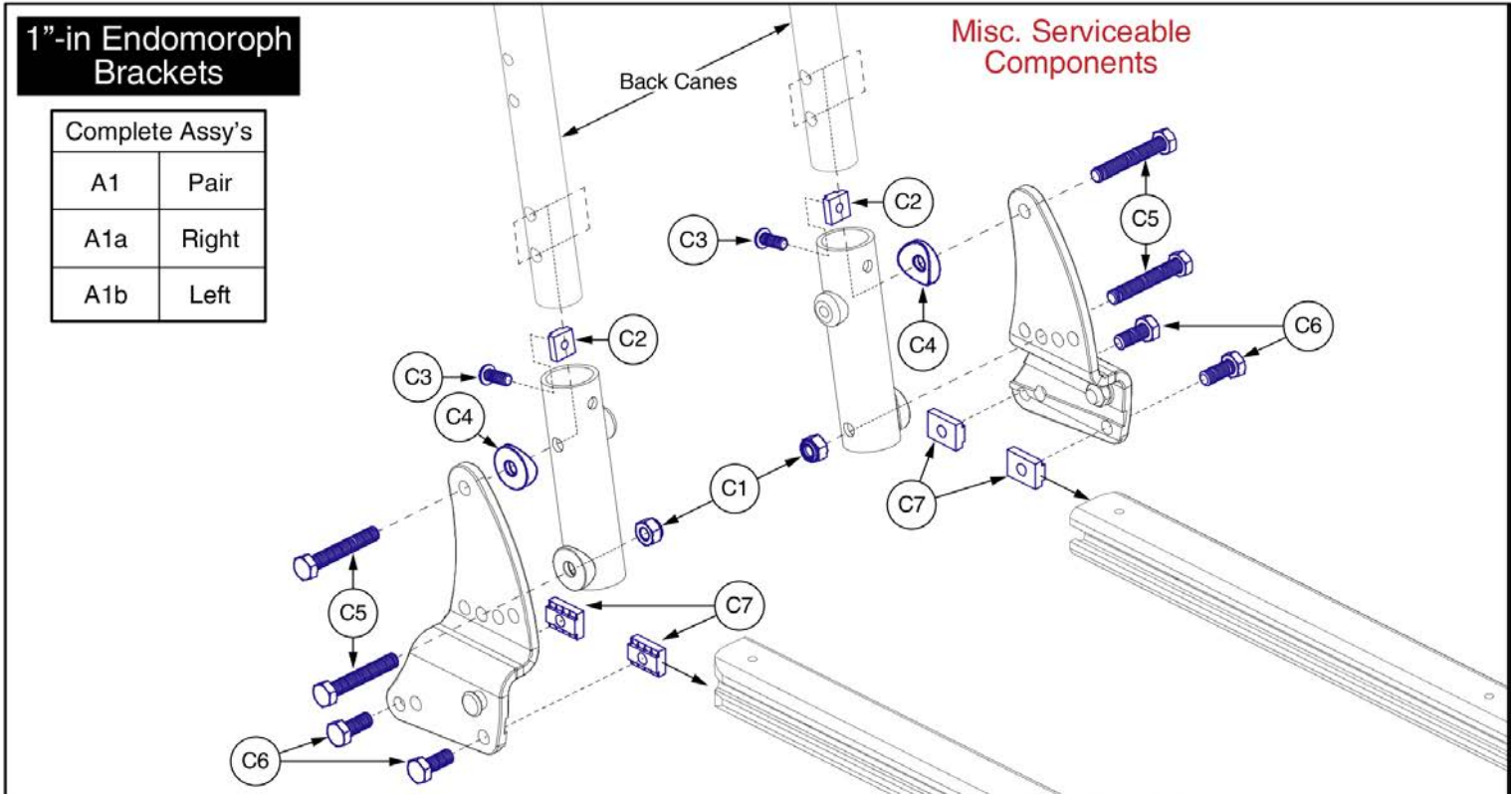
Item	Part No.	Name	Qty
A1	FRMASMB17113	RIGIDIZING BAR,ASSY,12"W-14"W,CANE MOUNTED,W/HARDWARE	1
B1	FRMASMB17114	RIGIDIZING BAR,ASSY,14"W-18"W,CANE MOUNTED,W/HARDWARE	1
C1	FRMASMB17115	RIGIDIZING BAR,ASSY,16"W-20"W,CANE MOUNTED,W/HARDWARE	1
D1	FRMASMB17116	RIGIDIZING BAR,ASSY,20"W-24"W,CANE MOUNTED,W/HARDWARE	1
E1	FRMASMB17117	RIGIDIZING BAR,ASSY,24"W-32"W,CANE MOUNTED,W/HARDWARE	1
F1	SCRASBH1209	SCREW,BHSCS,BLACK ZINC,1/4-20 X .875",GR 8,W/PATCH	2
G1	DWR1359B003	T-NUT,BLACK,1/4-20 X 0.563",0.50" TH,B-1359-003	2

8. Back Cane & Back Cane Mounted Components



Item	Part No.	Name	Qty
A1	MEC140266	BACK CANE BRACKET,ASSY,ANGLE ADJUSTABLE,PAIR,TB3	1
A1a	MEC140279	BACK CANE BRACKET,ASSY,ANGLE ADJUSTABLE,TB3,RIGHT	1
A1b	MEC140278	BACK CANE BRACKET,ASSY,ANGLE ADJUSTABLE,TB3,LEFT	1
B1	MEC140272	BACK CANE BRACKET,ASSY,FLIP FORWARD,W/ HATCHET,PAIR,TB3	1
B1a	MEC140091	BACK CANE BRACKET,ASSY,FLIP FORWARD,UNIVERSAL,RIGHT	1
B1b	MEC140090	BACK CANE BRACKET,ASSY,FLIP FORWARD,UNIVERSAL,LEFT	1
C1	NUTNYLK1026	NUT,NYLOCK,BLACK ZINC,5/16-18	1
C2	DWR1360A002	T-NUT,1/4-20 X 0.5625",A-1360-002	1
C3	SCRASBH1096	SCREW,BHSCS,BLACK ZINC,1/4-20 X 0.625",GRADE 8,W/NYLON PATCH,A-1360-009	1
C4	DWR1005B112	WASHER,COPED,BLACK,NYLON,0.333" ID X 1.00" OD,B-1005-112	1
C5	SCRHHCS1585	SCREW,HHCS,BLACK ZINC,5/16-18 X 2.00",GR 8,W/PATCH	1
C6	SCRHHCS1727	SCREW,HHCS,BLACK ZINC,M8-1.25 X 20MM,GRADE 10.9,W/NYLON PATCH,C-1005-098	1
C7	NUT8120005	NUT,T-SLOT,BLACK,M8-1.25	1
C8	SCRHHCS1241	SCREW,HHCS,BLACK ZINC,5/16-18 X 0.75",GR 8,W/PATCH	1

8. Back Cane & Back Cane Mounted Components

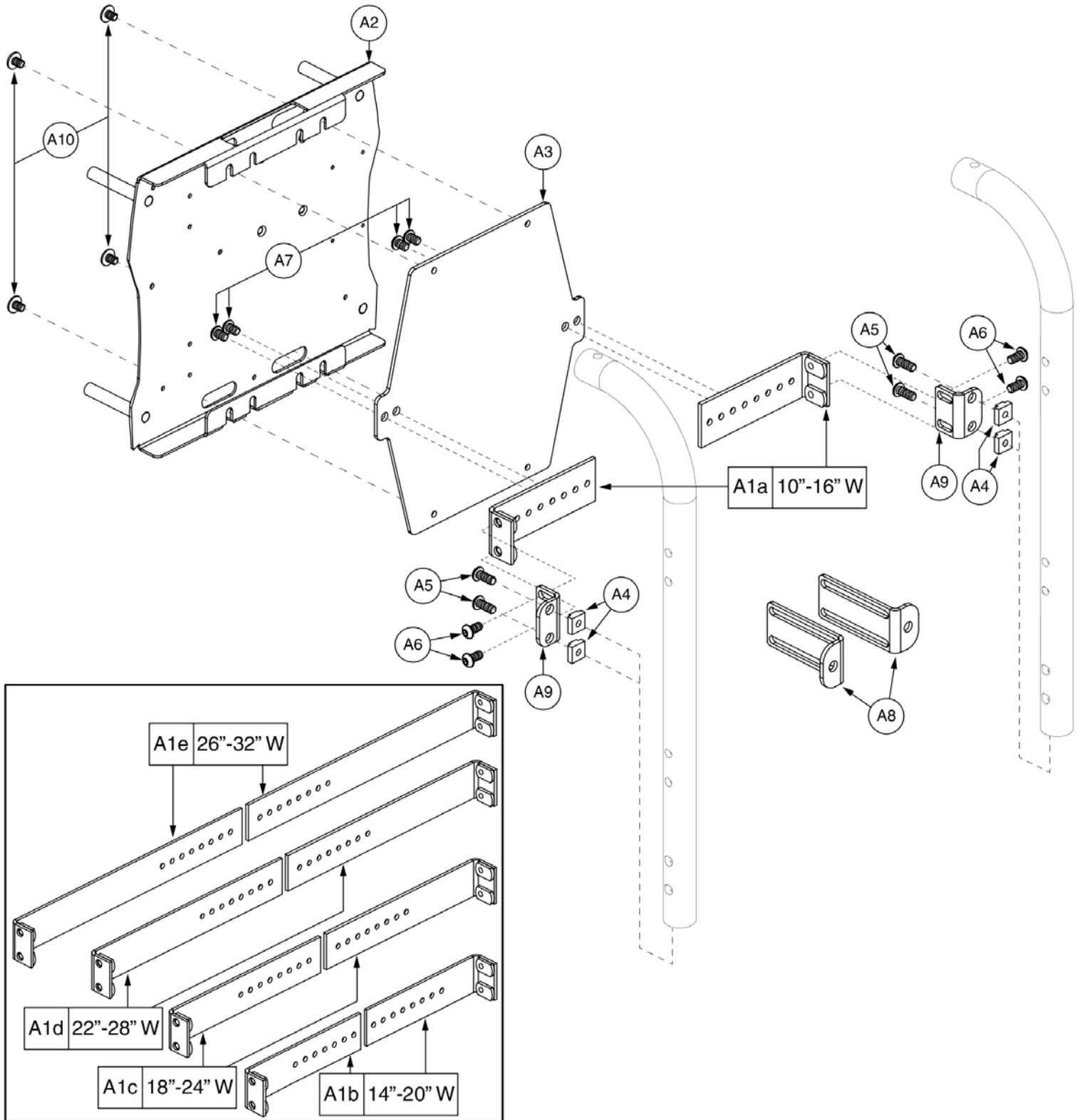


# ENDO Back Cane Brackets, TB3



Item	Part No.	Name	Qty
A1	MEC141455	BACK CANE BRACKET,ASSY,ENDOMORPH,1" IN,TB3,PAIR	1
A1a	MEC141458	BACK CANE BRACKET,ASSY,ENDOMORPH,1" IN,TB3,RIGHT	1
A1b	MEC141457	BACK CANE BRACKET,ASSY,ENDOMORPH,1" IN,TB3,LEFT	1
B1	MEC141456	BACK CANE BRACKET,ASSY,ENDOMORPH,2" IN,TB3,PAIR	1
B1a	MEC141460	BACK CANE BRACKET,ASSY,ENDOMORPH,2" IN,TB3,RIGHT	1
B1b	MEC141459	BACK CANE BRACKET,ASSY,ENDOMORPH,2" IN,TB3,LEFT	1
C1	NUTNYLK1026	NUT,NYLOCK,BLACK ZINC,5/16-18	1
C2	DWR1360A002	T-NUT,1/4-20 X 0.5625",A-1360-002	1
C3	SCRASBH1096	SCREW,BHSCS,BLACK ZINC,1/4-20 X 0.625",GRADE 8,W/NYLON PATCH,A-1360-009	1
C4	DWR1005B112	WASHER,COPED,BLACK,NYLON,0.333" ID X 1.00" OD,B-1005-112	1
C5	SCRHHCS1585	SCREW,HHCS,BLACK ZINC,5/16-18 X 2.00",GR 8,W/PATCH	1
C6	SCRHHCS1412	SCREW, HEX HEAD, M8X1.25 X 16, ISO 4014, CL 10.9, BZ, PVTP	1
C7	NUT8120005	NUT,T-SLOT,BLACK,M8-1.25	1

8. Back Cane & Back Cane Mounted Components

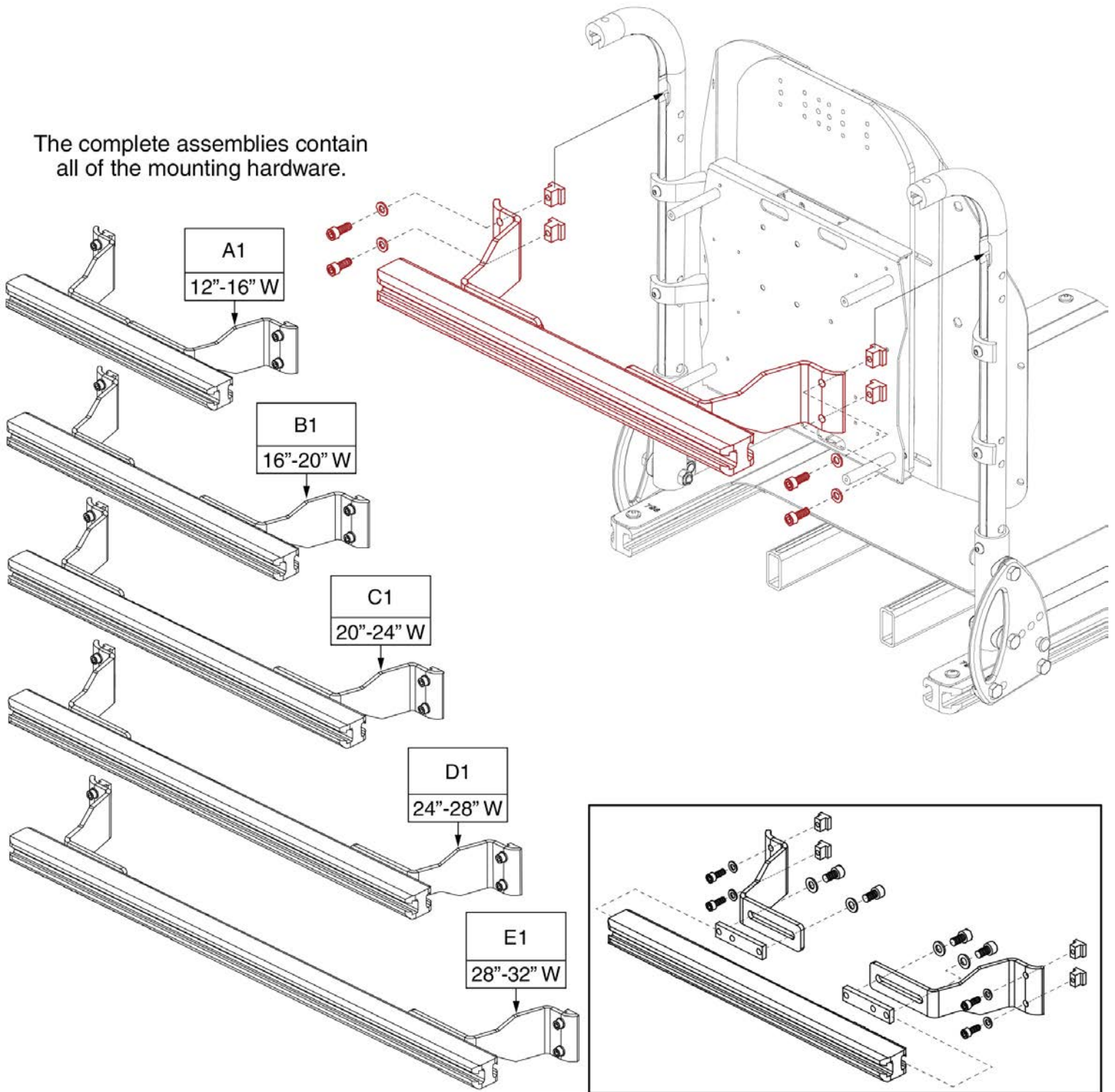




Item	Part No.	Name	Qty
A1a - A10	MEC140228	MOUNTING BRACKET,ASSY,ELECTRONICS BOX,NO BACK,W/BACK CANES,10"-16"W,TRU-BALANCE 3	1
A1a		MOUNTING BRACKET WELDMENT,BACK CANE,10"-16",OFFSET	1
A1b - A10	MEC140229	MOUNTING BRACKET,ASSY,ELECTRONICS BOX,NO BACK,W/BACK CANES,14"-20"W,TRU-BALANCE 3	1
A1b		MOUNTING BRACKET WELDMENT,BACK CANE,14"-20",OFFSET,D-1358-026	1
A1c - A10	MEC140230	MOUNTING BRACKET,ASSY,ELECTRONICS BOX,NO BACK,W/BACK CANES,18"-24"W,TRU-BALANCE 3	1
A1c		MOUNTING BRACKET WELDMENT,BACK CANE,18-24",OFFSET,D-1358-027	1
A1d - A10	MEC140231	MOUNTING BRACKET,ASSY,ELECTRONICS BOX,NO BACK,W/BACK CANES,22"-28"W,TRU-BALANCE 3	1
A1d		MOUNTING BRACKET WELDMENT,BACK CANE,22"-28",OFFSET	1
A1e - A10	MEC140233	MOUNTING BRACKET,ASSY,ELECTRONICS BOX,NO BACK,W/BACK CANES,26"-32"W,TRU-BALANCE 3	1
A1e		MOUNTING BRACKET WELDMENT,BACK CANE,26-32",OFFSET	1
A2	MEC138015	WELDMENT,PLATE,ELECTRONICS,STATIC BACK,TRU-BALANCE 3 WITH CANES	1
A3	MEC140044	PLATE B,ELECTRONICS,STATIC BACK,TRU-BALANCE 3 WITH CANES,NO BACK	1
A4	DWR1360A002	T-NUT,1/4-20 X 0.5625",A-1360-002	4
A5	SCRASBH1096	SCREW,BHSCS,BLACK ZINC,1/4-20 X 0.625",GRADE 8,W/NYLON PATCH,A-1360-009	4
A6	SCRASBH1148	SCREW,BHSCS,BLACK ZINC,1/4-20 X 0.50",W/PATCH	4
A7	SCRASBH1157	SCREW,BHSCS,BLACK ZINC,1/4-20 X 0.375",W/NYLON PATCH	4
A8	DWR1358D021	MOUNTING BRACKET,BACK CANE,3" OFFSET ENDPIECE,D-1358-021	2
A9	DWR1358C041	MOUNTING BRACKET,BACK CANE,1" OFFSET ENDPIECE	2
A10	HDW121242	SCREW, BUTTON HEAD, FLANGED, M6X1.0 X 8, ISO 7380-2, CL 10.9, BZ, PVTP	4

8. Back Cane & Back Cane Mounted Components

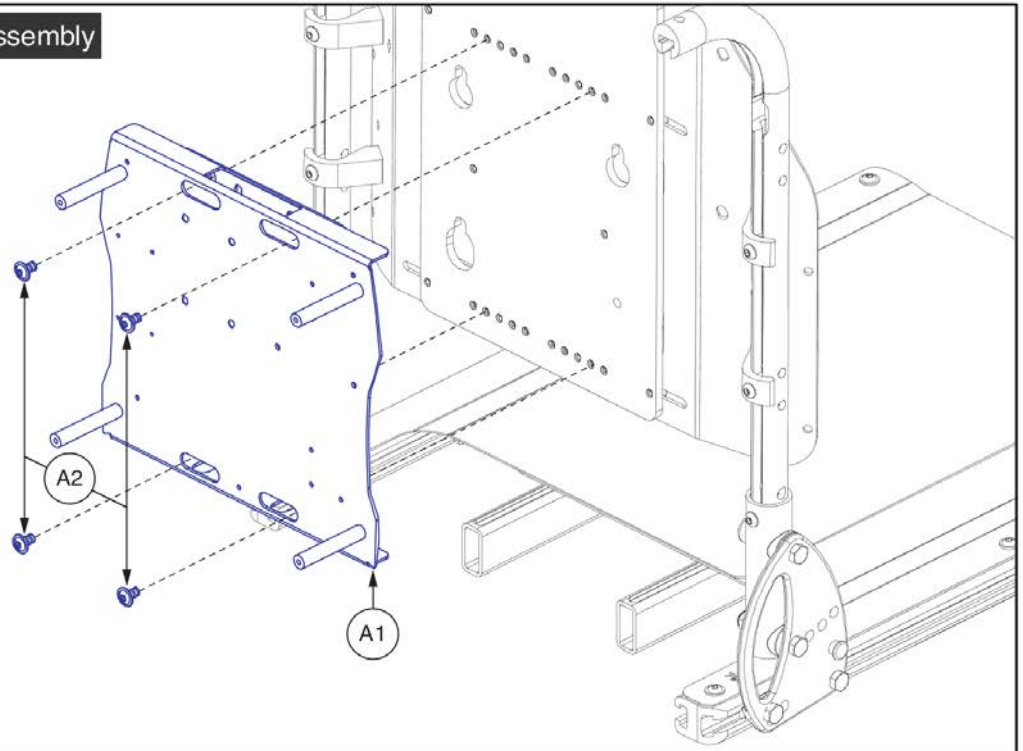
The complete assemblies contain all of the mounting hardware.



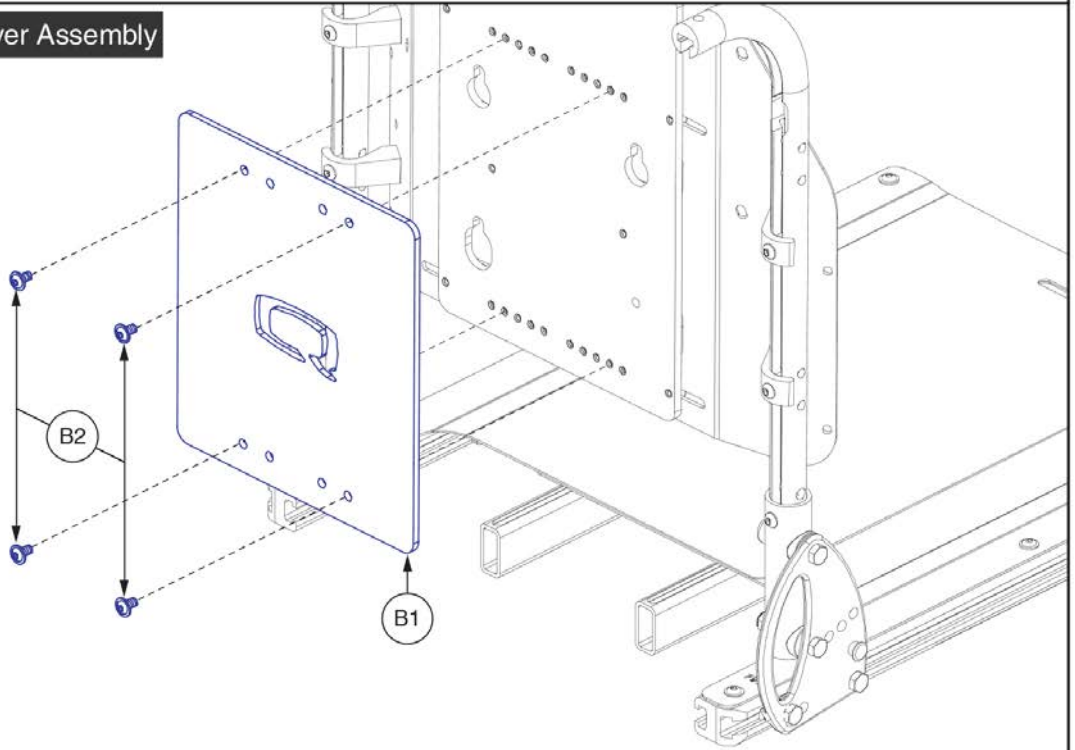
Item	Part No.	Name	Qty
A1	MEC145955	ACCESSORY BAR ASSY,12"-16",TRU-BALANCE 3	1
B1	MEC143975	ACCESSORY BAR ASSY,16"-20",TRU-BALANCE 3	1
C1	MEC146018	ACCESSORY BAR ASSY,20"-24",TRU-BALANCE 3	1
D1	MEC146050	ACCESSORY BAR ASSY,24"-28",TRU-BALANCE 3	1
E1	MEC146051	ACCESSORY BAR ASSY,28"-32",TRU-BALANCE 3	1

### 8. Back Cane & Back Cane Mounted Components

A1 - A2 Electronics Mounting Plate Assembly

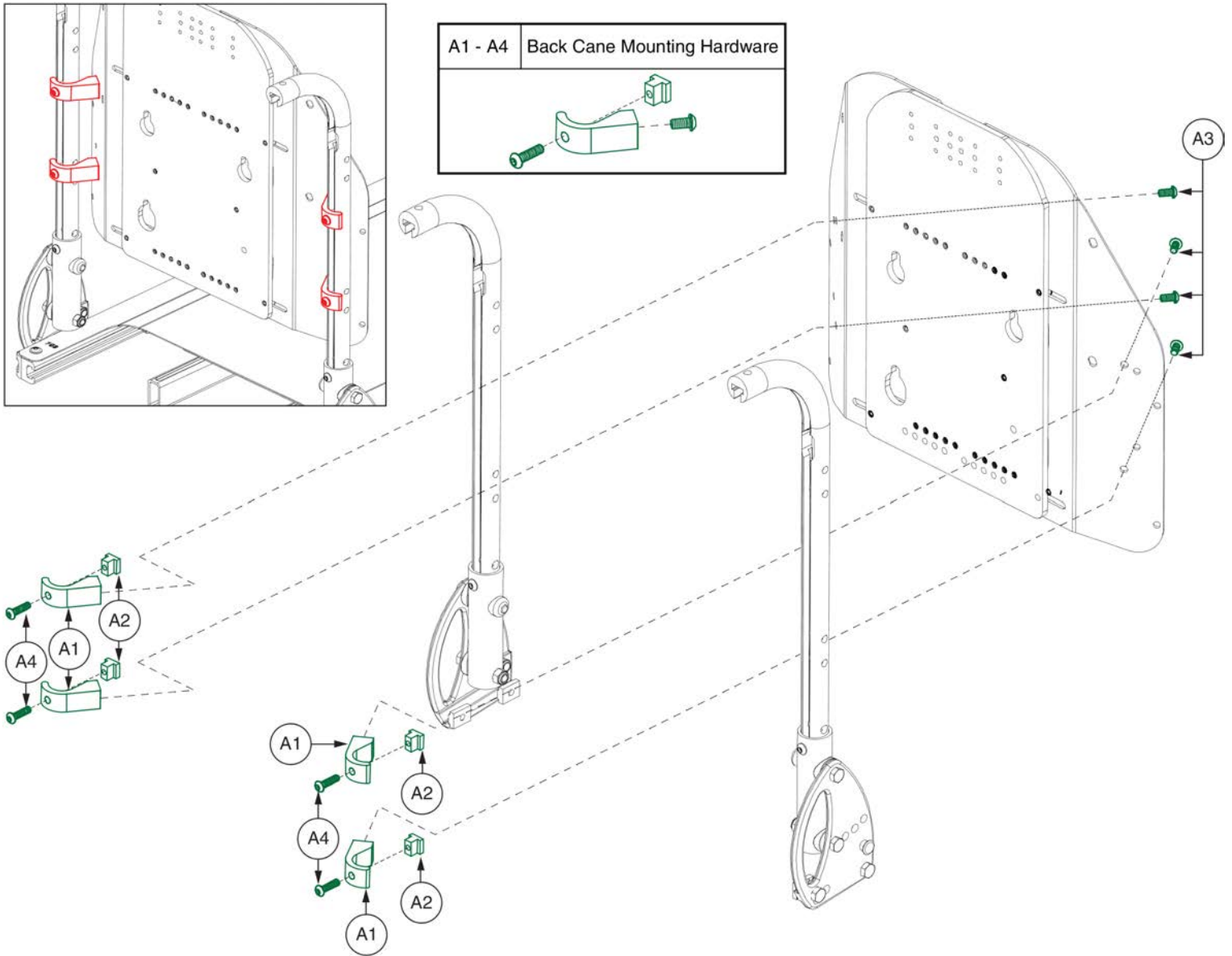


B1 - B2 Static Seat Cosmetic Cover Assembly



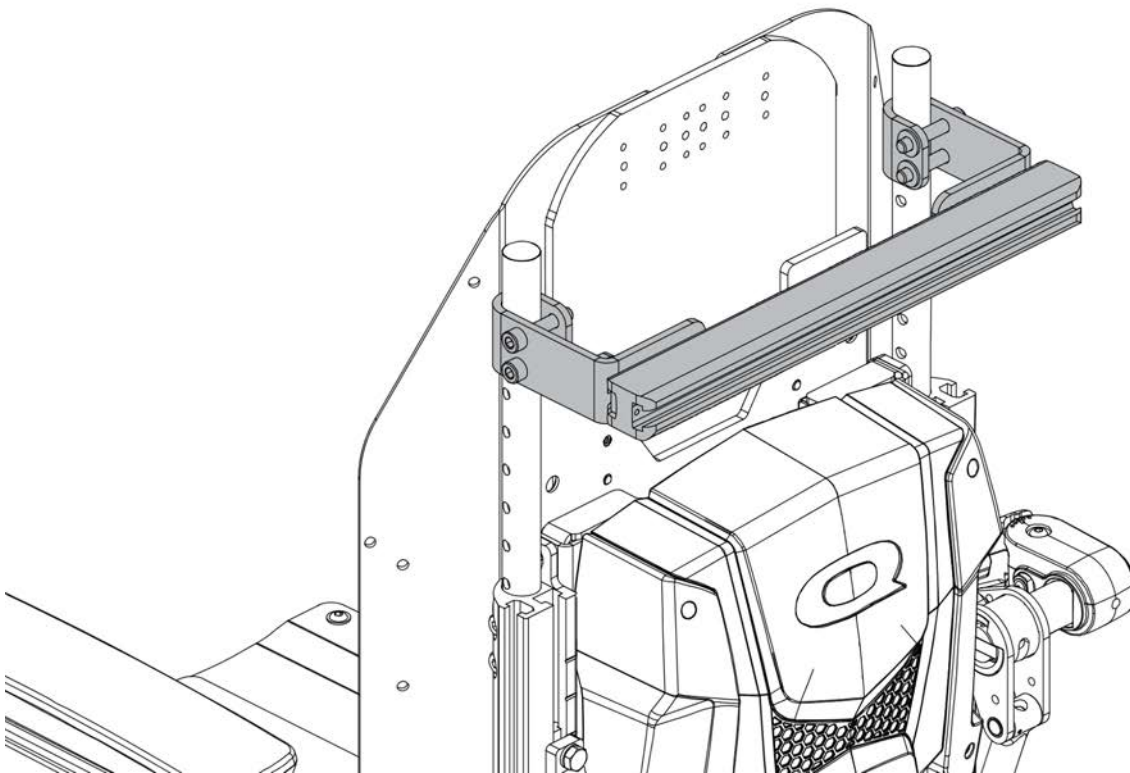
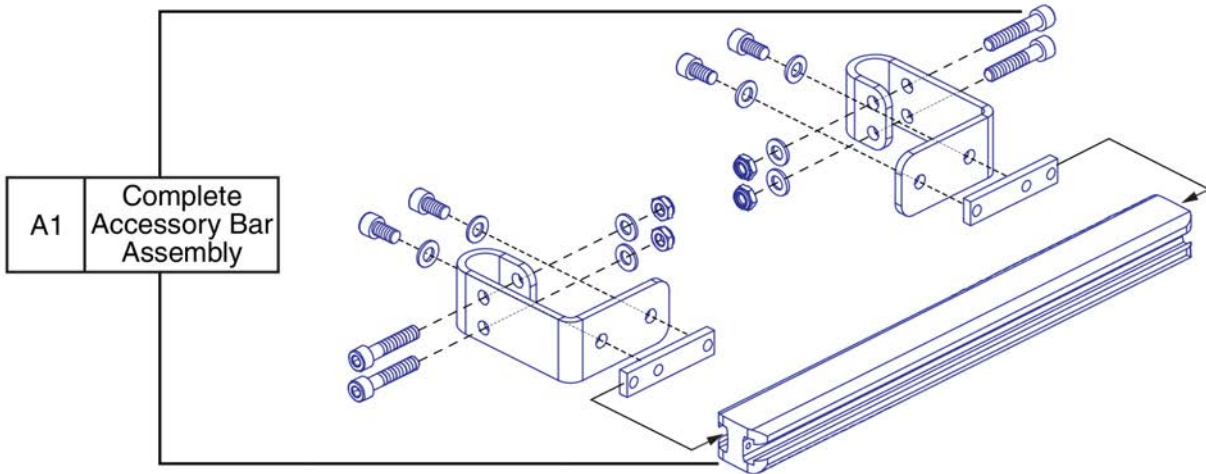
Item	Part No.	Name	Qty
A1 - A2	MEC1705549	MOUNTING BRACKET,ASSY,ELECTRONICS BOX,TB3 BACK,W/BACK CANES	1
A1	MEC138015	WELDMENT,PLATE,ELECTRONICS,STATIC BACK,TRU-BALANCE 3 WITH CANES	1
A2	HDW121242	SCREW, BUTTON HEAD, FLANGED, M6X1.0 X 8, ISO 7380-2, CL 10.9, BZ, PVTP	4
B1 - B2	DGN140236	MOUNTING BRACKET,ASSY,STATIC SEAT,W/BACK CANES,TB3	1
B1		COVER,CENTER PLATE,10"W-20"W,TRU-BALANCE 3	1
B2	HDW121242	SCREW, BUTTON HEAD, FLANGED, M6X1.0 X 8, ISO 7380-2, CL 10.9, BZ, PVTP	4

### 8. Back Cane & Back Cane Mounted Components



Item	Part No.	Name	Qty
A1 - A4	HDW140237	HARDWARE,ASSY, FOR MOUNTING BACK CANES	4
A1	DWR1306C024	BACK PLATE BRACKET,T-SLOT,1",C-1306-024	1
A2	DWR1359B003	T-NUT,BLACK,1/4-20 X 0.563",0.50" TH,B-1359-003	1
A3	SCRASBH1148	SCREW,BHSCS,BLACK ZINC,1/4-20 X 0.50",W/PATCH	1
A4	SCRASBH1209	SCREW,BHSCS,BLACK ZINC,1/4-20 X .875",GR 8,W/PATCH	1

8. Back Cane & Back Cane Mounted Components





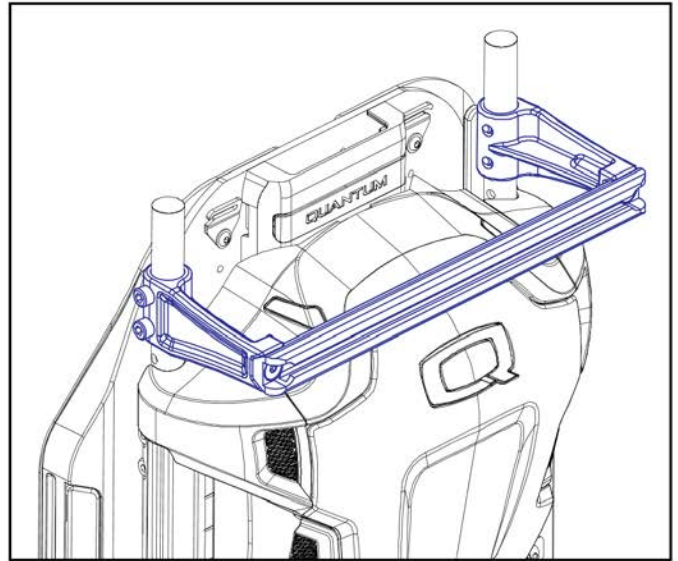
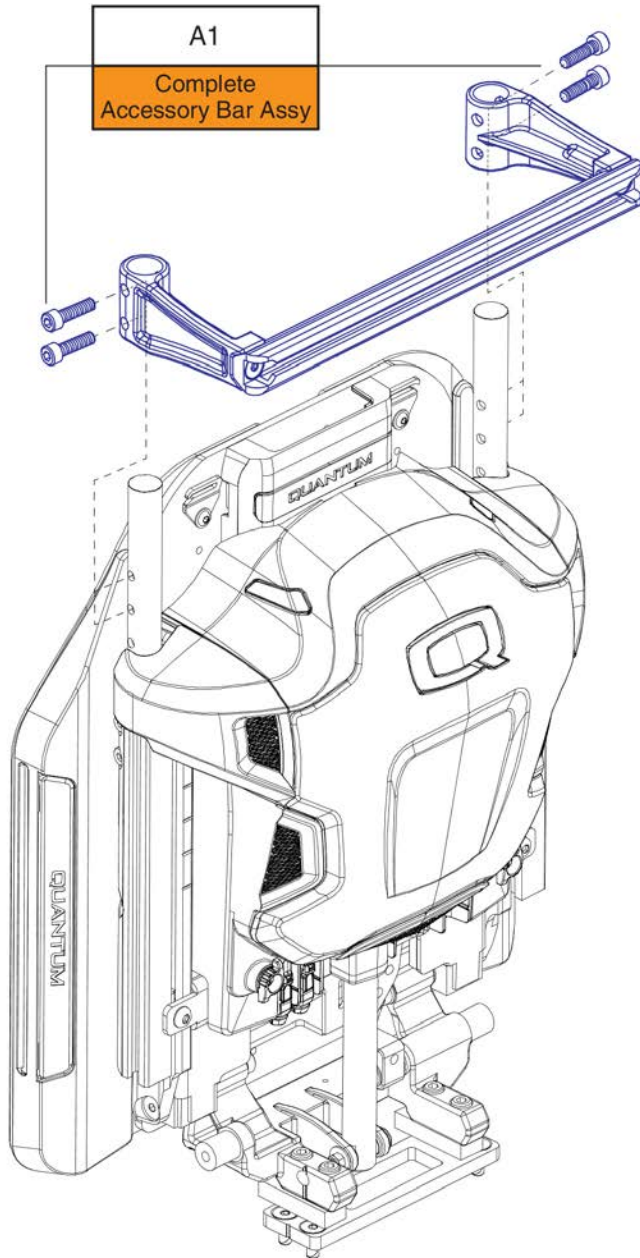
Accessory Bar, TB3



Item	Part No.	Name	Qty
A1	MEC125098	ACCESSORY BAR,ASSY,REAR,TRU-BALANCE 3	1

## 8. Back Cane & Back Cane Mounted Components

\*\*\*The Accessory Bar is only available as a complete assembly.\*\*\*



**Notes:**

- This Accessory Bar Assy can mount to the original style TB3 back and to the redesigned style TB3 back.
- The redesigned back is shown in the assembly illustration.

Accessory Bar, TB3 Redesigned Back



Item	Part No.	Name	Qty
A1	ACC1909634	ACCESSORY BAR,ASSY,REAR,TRU-BALANCE 3	1

9. Headrest Assy's, Mounts, & Pads

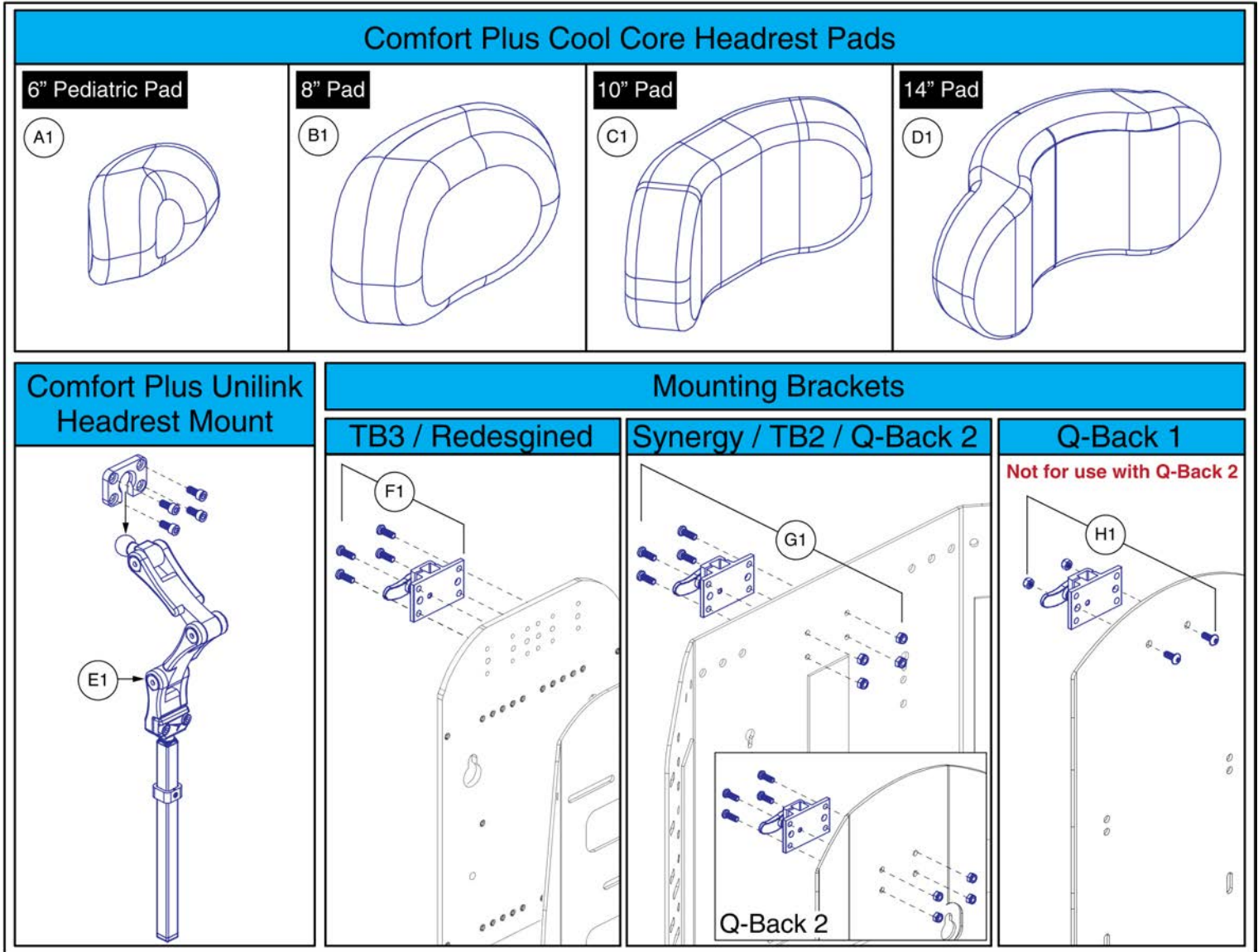
<p><b>Offset Mounting Kit</b></p> <p>A1</p>	<p><b>B1 Pediatric Mounting Kit</b></p>	<p><b>C1 Comfort Plus Mounting Kit</b></p> <p>No Longer Available.</p>	<p><b>D1 Ultra Adjustable Channel Headrest Mount</b></p> <p>No Longer Available.</p>	<p><b>E1 Flip-down, Swing-away Headrest Mounting Bracket</b></p>											
		<p><b>F1 Mounting Bracket TB2/Synergy/Q-Back 2</b></p>	<p><b>G1 Mounting Bracket, TB3</b></p>	<p><b>H1 Mounting Bracket, Q-Back 1</b></p> <p>Not for use with Q-Back 2</p>	<p><b>AA1 Pediatric Headrest</b></p>										
<p><b>I1 Ultra Occipital Pad</b></p> <p>No Longer Available.</p>	<p><b>J1 Ultra Sub-Occipital Pad</b></p>	<p><b>Facial Pad</b></p> <table border="1"> <tr> <td>K1</td> <td>4.5" x 2"</td> </tr> <tr> <td>L1</td> <td>6" x 2"</td> </tr> </table>	K1	4.5" x 2"	L1	6" x 2"	<p><b>M1 Small Contoured Headrest</b></p> <p>No Longer Available.</p>	<p><b>N1 Large Contoured Headrest</b></p> <p>No Longer Available.</p>	<p><b>Comfort Plus Headrests</b></p> <table border="1"> <tr> <td>O1</td> <td>8"</td> </tr> <tr> <td>P1</td> <td>10"</td> </tr> <tr> <td>Q1</td> <td>14"</td> </tr> </table>	O1	8"	P1	10"	Q1	14"
K1	4.5" x 2"														
L1	6" x 2"														
O1	8"														
P1	10"														
Q1	14"														
<p><b>R1 Comfort Series Right Swing-away Facial Lateral</b></p>	<p><b>S1 Comfort Series Left Swing-away Facial Lateral</b></p>	<p><b>T1 Comfort Series Right &amp; Left Swing-away Facial Lateral</b></p>	<p><b>U1 Egg Switch Mount for Lateral Facial</b></p>												
<p><b>V1 Ultra &amp; Combo Series Right &amp; Left Swing-away Facial Lateral</b></p>	<p><b>W1 Ultra &amp; Combo Series Right Swing-away Facial Lateral</b></p>	<p><b>X1 Ultra &amp; Combo Series Left Swing-away Facial Lateral</b></p>													
<p><b>Y1 18" Rod Swing-away Joystick Mount</b></p>	<p><b>Z1 Figure 8 w/13" Rod and Egg Switch Mount</b></p>														

# STEALTH Headrest Brackets and Pads



Item	Part No.	Name	Qty
A1	HDWASMB1084	KIT,QUANTUM REHAB, OFFSET HEADREST,(STEALTH: HMO475P)	1
B1	HDWASMB1166	KIT,QUANTUM REHAB,OFFSET HEADREST,PEDIATRIC,(STEALTH: HMO475P-17)	1
C1	FRMASMB15999	HARDWARE KIT,ASSY,HEADREST MOUNT,COMFORT PLUS,W/REMOVABLE MOUNTING HARDWARE,(STEALTH: TWB485-1)	1
D1		HEADREST,MOUNT,ADJUSTABLE ULTRA CHANNEL,W/17MM HORIZONTAL BAR,(STEALTH: SU980)	1
E1	INDPART2219	HEADREST,MOUNT,SWING AWAY,(FLIP DOWN),STEALTH,(FDM350)	1
F1	SET150325	HEADREST BRACKET MOUNTING HARDWARE,ASSY,STEALTH,SYNERGY/TRU-BALANCE 2/Q-BACK 2	1
G1	SET150326	HEADREST BRACKET MOUNTING HARDWARE,ASSY,STEALTH,TRUBALANCE 3	1
H1	SET167884	HEADREST BRACKET MOUNTING HARDWARE,ASSY,STEALTH,Q-BACK 1	1
I1		HEADREST,PAD,OCCIPITAL,6" X 3.75",STEALTH ULTRA,(STEALTH:500)	1
J1	SETHEAD1071	HEADREST,PAD,SUB-OCCIPITAL,8.5" X 2.75",STEALTH ULTRA,(STEALTH:600)	1
K1	ST-900-Q	FACIAL PAD,4.5" X 2"	1
L1	ST-920-Q	FACIAL PAD,6" X 2"	1
M1	SETHEAD1052	HEADREST,SMALL,CONTOURED,(STEALTH: STL-OTSM250)	1
N1	SETHEAD1053	HEADREST,LARGE,CONTOURED,(STEALTH: STL-OTLG150)	1
O1	POS148484	HEADREST,PAD,8",COMFORT PLUS,(STEALTH:CP450)	1
P1	SETHEAD1057	HEADREST,PAD,10IN,COMFORT PLUS,(STEALTH: CP250)	1
Q1	INDPART2327	HEADREST,PAD,14",COMFORT PLUS,(STEALTH:CP150)	1
R1	INDPART2647	FACIAL LATERAL,SWING AWAY,COMFORT PLUS SERIES,RIGHT,(STEALTH: CPS9-R)	1
S1	INDPART2648	FACIAL LATERAL,SWING AWAY,COMFORT PLUS SERIES,LEFT,(STEALTH: CPS9-L)	1
T1	INDPART2649	FACIAL LATERAL,SWING AWAY,COMFORT PLUS SERIES,LEFT & RIGHT,(STEALTH: CPS9-B-HW)	1
U1	INDPART2815	EGG SWITCH MOUNT FOR LATERAL FACIAL,(STEALTH:ESM)	1
V1	INDPART2715	HEADREST,MOUNT,SWING AWAY,STEALTH ULTRA & COMBO SERIES,(STEALTH:SUS9-B)	1
W1	POS148480	HEADREST MOUNT,SWING AWAY,STEALTH ULTRA & COMBO SERIES,RIGHT,(STEALTH:SUS9-R-HW)	1
X1	POS150617	HEADREST MOUNT,SWING AWAY,STEALTH ULTRA & COMBO SERIES,LEFT,(STEALTH:SUS9-L-HW)	1
Y1	ST-SUS18-Q	SWING AWAY JOYSTICK MOUNT,18" ROD,STEALTH HEADREST	1
Z1	ST-F8675-13-Q	FIGURE 8 WITH 13" ROD AND EGG SWITCH MOUNT	1
AA1	SETHEAD1069	HEADREST,PEDIATRIC,6"L X 4.5"H,(STEALTH: CPN350)	1

9. Headrest Assy's, Mounts, & Pads

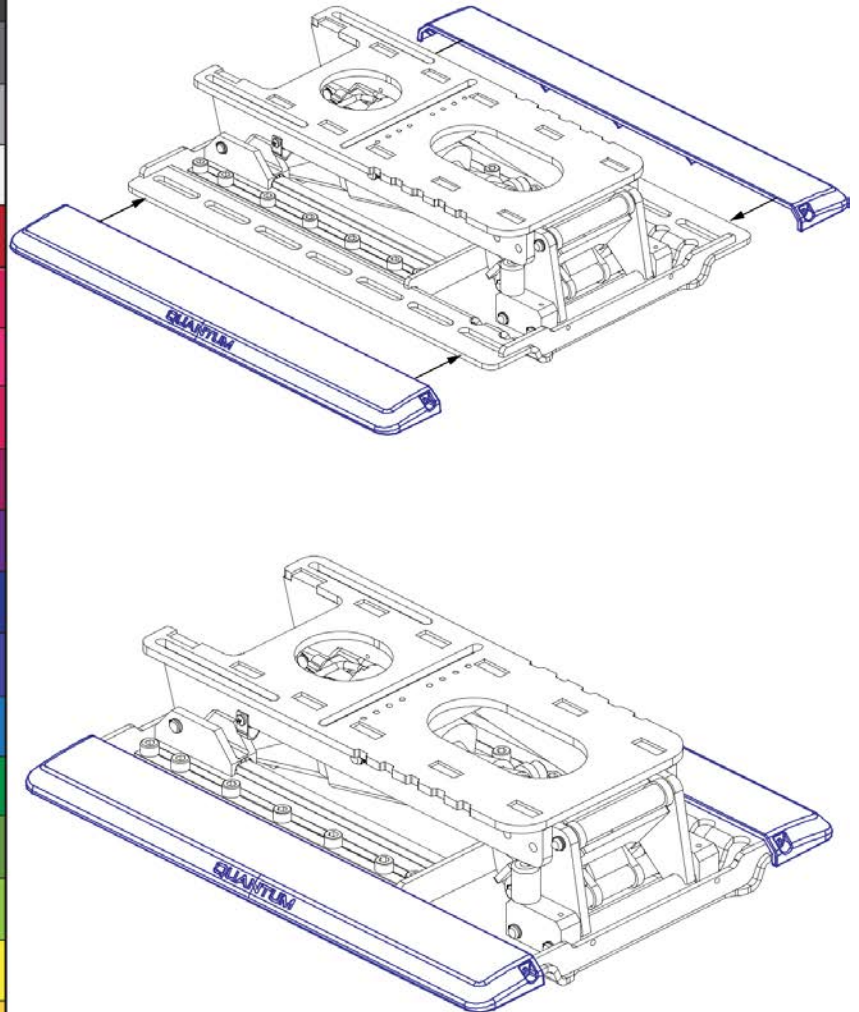


Item	Part No.	Name	Qty
A1	ST-CP06CCFPM-Q	HEADREST,PAD,PEDIATRIC,6",COMFORT PLUS,COOL CORE,(STEALTH:CP06CCFPM)	1
B1	ST-CP08CCFPM-Q	HEADREST,PAD,8",COMFORT PLUS,COOL CORE(STEALTH:CP08CCFPM)	1
C1	ST-CP10CCFPM-Q	HEADREST,PAD,10",COMFORT PLUS,COOL CORE,(STEALTH:CP10CCFPM)	1
D1	ST-CP14CCFPM-Q	HEADREST,PAD,14",COMFORT PLUS,COOL CORE,(STEALTH:CP14CCFPM)	1
E1	ST-UHB2D33200-Q	HARDWARE KIT,ASSY,HEADREST MOUNT,COMFORT PLUS,UNILINK MOUNTING HARDWARE,(STEALTH:ST-UHB2D33200-Q)	1
F1	SET150326	HEADREST BRACKET MOUNTING HARDWARE,ASSY,STEALTH,TRUBALANCE 3	1
G1	SET150325	HEADREST BRACKET MOUNTING HARDWARE,ASSY,STEALTH,SYNERGY/TRU-BALANCE 2/Q-BACK 2	1
H1	SET167884	HEADREST BRACKET MOUNTING HARDWARE,ASSY,STEALTH,Q-BACK 1	1

10. TB3.5 Tilt Base Rail Covers

TB3.5 Tilt Base Rail Side Covers			
Ref#	Color Name	Part Suffix	Color Code
A1	Back in Black	PBK1	PPW-BLK-01
B1	Night Train	PBK3	PPW-BLK-03
C1	Grey Street	PSL3	PPW-SIL-03
D1	Silver Bullet	PSL7	PPW-SIL-07
E1	White Satin	PWT2	PPW-WHT-02
F1	Red Corvette	PRD1	PPW-RED-01
G1	Cherry Bomb	PRD4	PPW-RED-04
H1	Pretty in Pink	PPK3	PPW-PNK-03
I1	Raspberry Beret	PPK4	PPW-PNK-04
J1	Sugar Plum	PPR7	PPW-PRP-07
K1	Deep Purple	PPR5	PPW-PRP-05
L1	Midnight Blue	PBU10	PPW-BLU-10
M1	Electric Blue	PBU9	PPW-BLU-09
N1	Blue Jean	PBU11	PPW-BLU-11
O1	Green Machine	PGN11	PPW-GRN-11
P1	Military Green	PGN8	PPW-GRN-08
Q1	Lime Light	PGN7	PPW-GRN-07
R1	Yellow Blaze	PYL3	PPW-YEL-03
S1	Lemon Crush	PYL4	PPW-YEL-04
T1	Orange Crush	POR6	PPW-ORN-06
U1	Evolution Orange	POR7	PPW-ORN-07
V1	Non-painted Black Plastic	—	—

Painted TB3.5 Base Rail Side Covers





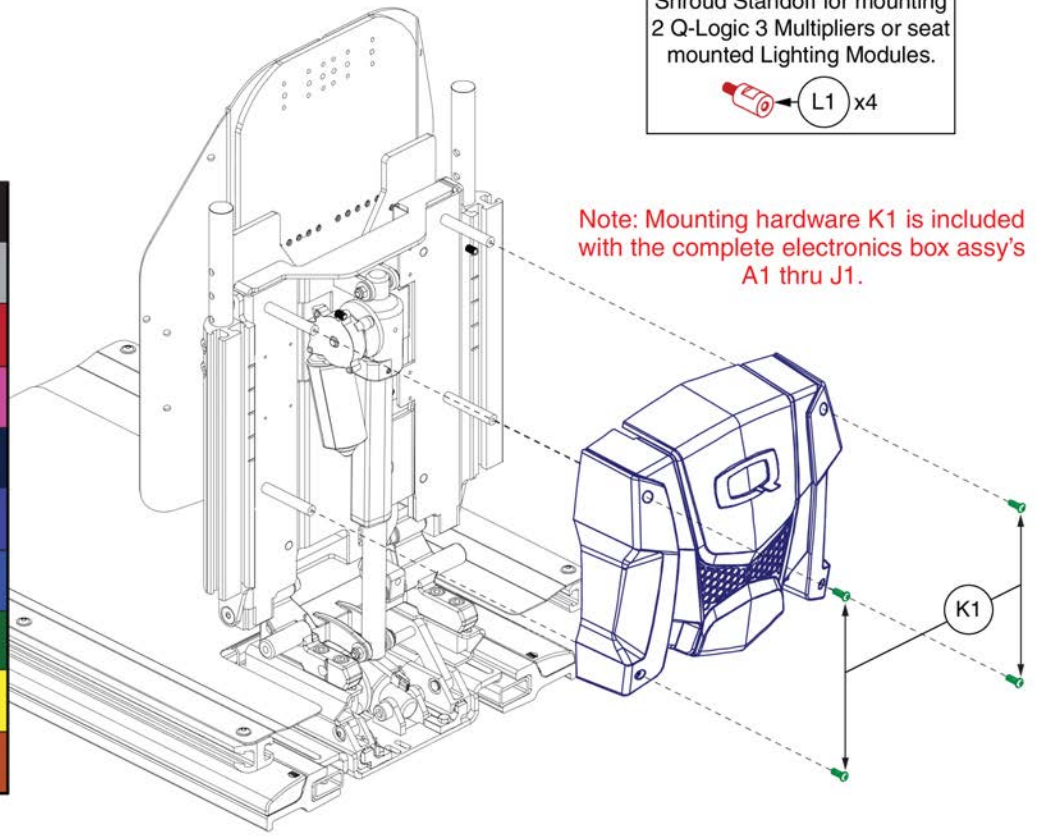
## TB3.5 Tilt Painted Base Rail Covers




Item	Part No.	Name	Qty
A1	DGN1709093-PBK1	TILT SIDE SHROUD,PLASTIC,PPW-BLK-01 (BACK IN BLACK/BLACK),TRU-BALANCE 3,(DGN1709093)	2
B1	DGN1709093-PBK3	TILT SIDE SHROUD,PLASTIC,PPW-BLK-03 (NIGHT TRAIN),TRU-BALANCE 3,(DGN1709093)	2
C1	DGN1709093-PSL3	TILT SIDE SHROUD,PLASTIC,PPW-SIL-03 (GREY STREET),TRU-BALANCE 3,(DGN1709093)	2
D1	DGN1709093-PSL7	TILT SIDE SHROUD,PLASTIC,PPW-SIL-07 (SILVER BULLET),TRU-BALANCE 3,(DGN1709093)	2
E1	DGN1709093-PWT2	TILT SIDE SHROUD,PLASTIC,PPW-WHT-02 (WHITE SATIN),TRU-BALANCE 3,(DGN1709093)	2
F1	DGN1709093-PRD1	TILT SIDE SHROUD,PLASTIC,PPW-RED-01 (RED CORVETTE/CANDY APPLE RED),TRU-BALANCE 3,(DGN1709093)	2
G1	DGN1709093-PRD4	TILT SIDE SHROUD,PLASTIC,PPW-RED-04 (CHERRY BOMB),TRU-BALANCE 3,(DGN1709093)	2
H1	DGN1709093-PPK3	TILT SIDE SHROUD,PLASTIC,PPW-PNK-03 (PRETTY IN PINK),TRU-BALANCE 3,(DGN1709093)	2
I1	DGN1709093-PPK4	TILT SIDE SHROUD,PLASTIC,PPW-PNK-04 (RASPBERRY BERET),TRU-BALANCE 3,(DGN1709093)	2
J1	DGN1709093-PPR7	TILT SIDE SHROUD,PLASTIC,PPW-PRP-07 (SUGAR PLUM),TRU-BALANCE 3,(DGN1709093)	2
K1	DGN1709093-PPR5	TILT SIDE SHROUD,PLASTIC,PPW-PRP-05 (DEEP PURPLE),TRU-BALANCE 3,(DGN1709093)	2
L1	DGN1709093-PBU10	TILT SIDE SHROUD,PLASTIC,PPW-BLU-10 (MIDNIGHT BLUE),TRU-BALANCE 3,(DGN1709093)	2
M1	DGN1709093-PBU9	TILT SIDE SHROUD,PLASTIC,PPW-BLU-09 (ELECTRIC BLUE/TRUE BLUE),TRU-BALANCE 3,(DGN1709093)	2
N1	DGN1709093-PBU11	TILT SIDE SHROUD,PLASTIC,PPW-BLU-11 (BLUE JEAN),TRU-BALANCE 3,(DGN1709093)	2
O1	DGN1709093-PGN11	TILT SIDE SHROUD,PLASTIC,PPW-GRN-11 (GREEN MACHINE),TRU-BALANCE 3,(DGN1709093)	2
P1	DGN1709093-PGN8	TILT SIDE SHROUD,PLASTIC,PPW-GRN-08 (MILITARY GREEN),TRU-BALANCE 3,(DGN1709093)	2
Q1	DGN1709093-PGN7	TILT SIDE SHROUD,PLASTIC,PPW-GRN-07 (LIME LIGHT),TRU-BALANCE 3,(DGN1709093)	2
R1	DGN1709093-PYL3	TILT SIDE SHROUD,PLASTIC,PPW-YEL-03 (YELLOW BLAZE/ORIONYELLOW),TRU-BALANCE 3,(DGN1709093)	2
S1	DGN1709093-PYL4	TILT SIDE SHROUD,PLASTIC,PPW-YEL-04 (LEMON CRUSH),TRU-BALANCE 3,(DGN1709093)	2
T1	DGN1709093-POR6	TILT SIDE SHROUD,PLASTIC,PPW-ORN-06 (ORANGE CRUSH),TRU-BALANCE 3,(DGN1709093)	2
U1	DGN1709093-POR7	TILT SIDE SHROUD,PLASTIC,PPW-ORN-07 (EVOLUTION ORANGE),TRU-BALANCE 3,(DGN1709093)	2
V1	DGN168314	COVER,SIDE RAIL,PLASTIC,TRU-BALANCE 3.5 TILT	2

11. Electronics Cover Shrouds

TB3 Electronics Box Pre 6/1/15	
Ref#	Color Name
A1	Black
B1	Silver
C1	Candy Apple Red
D1	Pearl Pink
E1	Sapphire Blue
F1	True Blue
G1	Viper Blue
H1	Emerald Green
I1	Orion Yellow
J1	Sunburst Orange



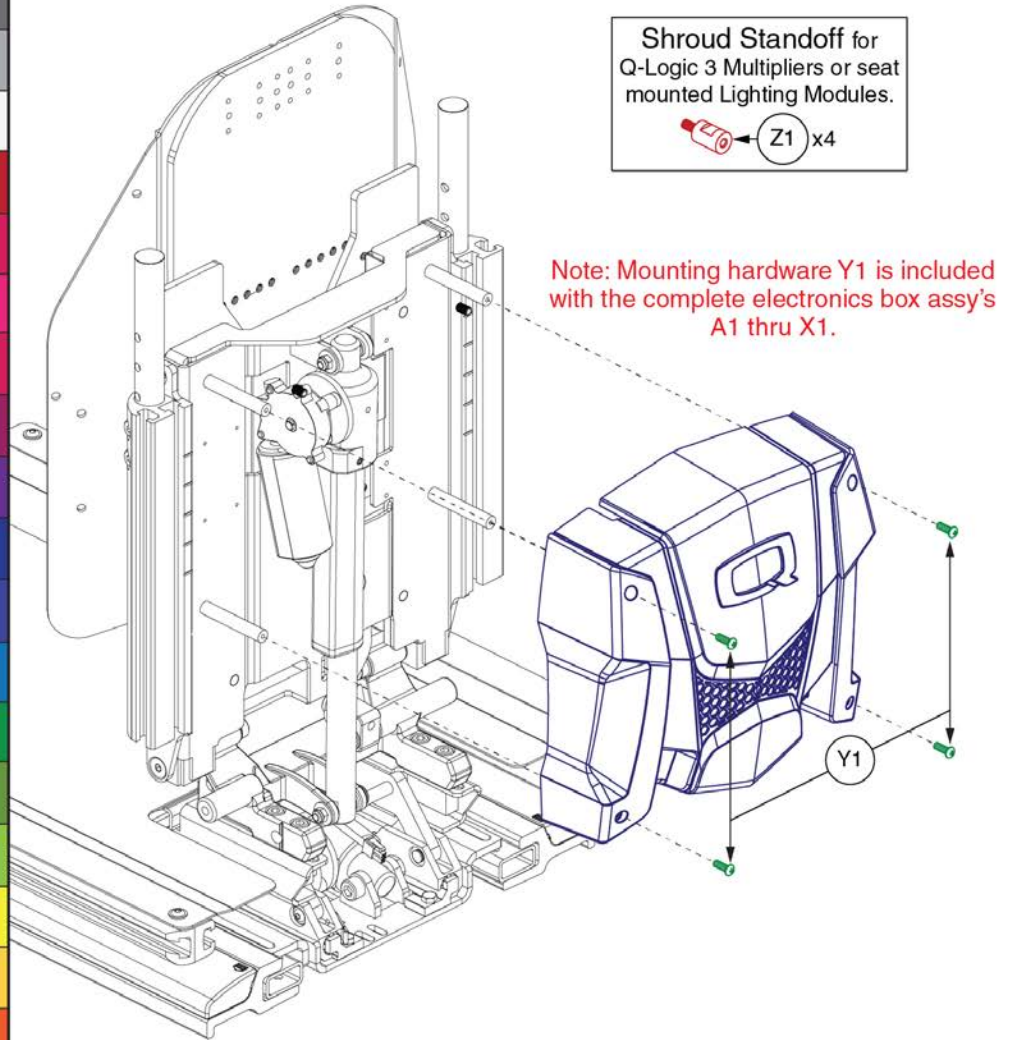
Shroud Standoff for mounting  
2 Q-Logic 3 Multipliers or seat  
mounted Lighting Modules.  
 L1 x4

Note: Mounting hardware K1 is included  
with the complete electronics box assy's  
A1 thru J1.

Item	Part No.	Name	Qty
A1	DGN130024	ELECTRONICS BOX,ASSY,BLACK,TB3,W/HARDWARE	1
B1	DGN130029	ELECTRONICS BOX,ASSY,SILVER,TB3,W/HARDWARE	1
C1	DGN130026	ELECTRONICS BOX,ASSY,CANDY APPLE RED,TB3,W/HARDWARE	1
D1	DGN130032	ELECTRONICS BOX,ASSY,PEARL PINK,TB3,W/HARDWARE	1
E1	DGN130033	ELECTRONICS BOX,ASSY,SAPPHIRE BLUE,TB3,W/HARDWARE	1
F1	DGN130027	ELECTRONICS BOX,ASSY,TRUE BLUE,TB3,W/HARDWARE	1
G1	DGN130025	ELECTRONICS BOX,ASSY,VIPER BLUE,TB3,W/HARDWARE	1
H1	DGN130031	ELECTRONICS BOX,ASSY,EMERALD GREEN,TB3,W/HARDWARE	1
I1	DGN130030	ELECTRONICS BOX,ASSY,ORION YELLOW,TB3,W/HARDWARE	1
J1	DGN130028	ELECTRONICS BOX,ASSY,SUNBURST ORANGE,TB3,W/HARDWARE	1
K1	SCRPPH1163	SCREW, PAN HEAD, TYPE H, M4X0.7 X 10, FT, ISO 7045, CL 4.8, BZ	4
L1	HDW131337	STANDOFF,MALE-FEMALE,M4-0.7 X 15MM	4

11. Electronics Cover Shrouds

TB3 Electronics Box	
Ref#	Color Name
A1	Back in Black
B1	Night Train
C1	Grey Street
D1	Silver Bullet
E1	White Satin
F1	Red Corvette
G1	Cherry Bomb
H1	Pretty in Pink
I1	Raspberry Beret
J1	Sugar Plum
K1	Deep Purple
L1	Midnight Blue
M1	Electric Blue
N1	Blue Jean
O1	Green Machine
P1	Military Green
Q1	Lime Light
R1	Yellow Blaze
S1	Lemon Crush
T1	Orange Crush
U1	Evolution Orange
V1	Carbon Fiber
W1	Digital Camo
X1	Faded Glory

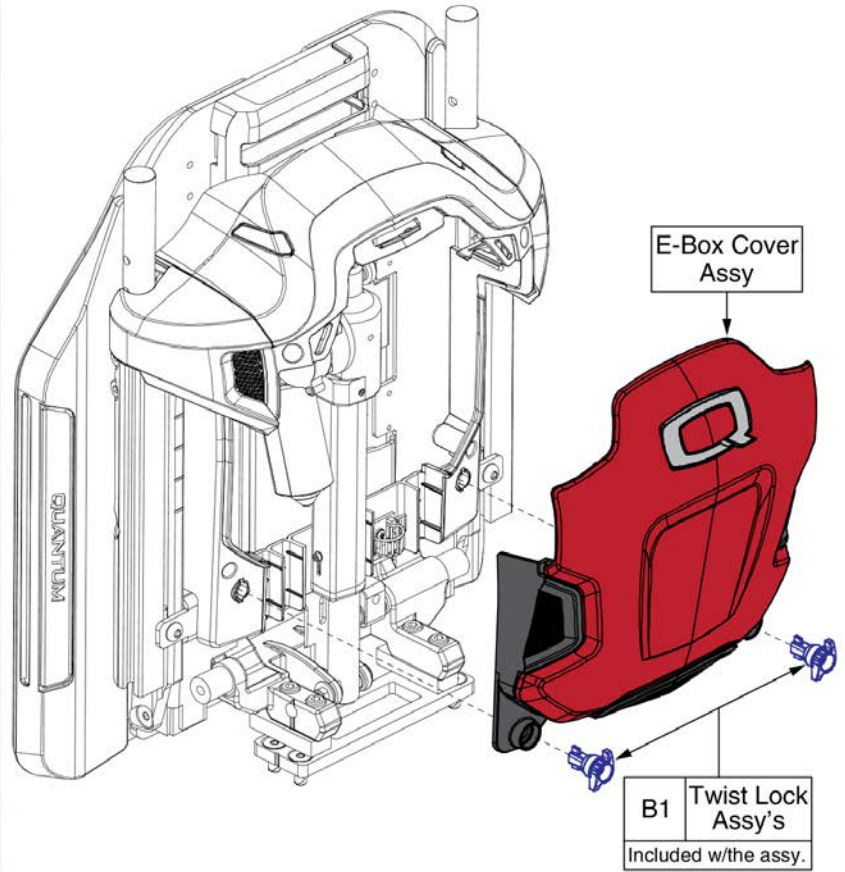


Item	Part No.	Name	Qty
A1	DGN148032	ELECTRONICS BOX,ASSY,BACK IN BLACK,TRU-BALANCE 3,W/MOUNTING HARDWARE	1
B1	DGN1706558	ELECTRONICS BOX,ASSY,NIGHT TRAIN,TB3,W/HARDWARE	1
C1	DGN148074	ELECTRONICS BOX,ASSY,GREY STREET,TB3,W/HARDWARE	1
D1	DGN148047	ELECTRONICS BOX,ASSY,SILVER BULLET,TRU-BALANCE 3,W/MOUNTING HARDWARE	1
E1	DGN148075	ELECTRONICS BOX,ASSY,WHITE SATIN,TB3,W/HARDWARE	1
F1	DGN148034	ELECTRONICS BOX,ASSY,CORVETTE RED,TRU-BALANCE 3,W/MOUNTING HARDWARE	1
G1	DGN1801259-PRD4	ELECTRONICS BOX,ASSY,CHERRY BOMB,TB3,W/HARDWARE	1
H1	DGN148045	ELECTRONICS BOX,ASSY,PRETTY IN PINK,TB3,W/HARDWARE	1
I1	DGN1801259-PPK4	ELECTRONICS BOX,ASSY,RASPBERRY BERET,TB3,W/HARDWARE	1
J1	DGN1801259-PPR7	ELECTRONICS BOX,ASSY,SUGAR PLUM,TB3,W/HARDWARE	1
K1	DGN148046	ELECTRONICS BOX,ASSY,DEEP PURPLE,TB3,W/HARDWARE	1
L1	DGN148035	ELECTRONICS BOX,ASSY,MIDNIGHT BLUE,TB3,W/HARDWARE	1
M1	DGN148076	ELECTRONICS BOX,ASSY,ELECTRIC BLUE,TRU-BALANCE 3,W/MOUNTING HARDWARE	1
N1	DGN1801259-PBU11	ELECTRONICS BOX,ASSY,BLUE JEAN,TB3,W/HARDWARE	1
O1	DGN1801259-PGN11	ELECTRONICS BOX,ASSY,GREEN MACHINE,TB3,W/HARDWARE	1
P1	DGN148037	ELECTRONICS BOX,ASSY,MILITARY GREEN,TB3,W/HARDWARE	1
Q1	DGN148036	ELECTRONICS BOX,ASSY,LIME LIGHT,TB3,W/HARDWARE	1
R1	DGN148077	ELECTRONICS BOX,ASSY,YELLOW BLAZE,TB3,W/HARDWARE	1
S1	DGN1801259-PYL4	ELECTRONICS BOX,ASSY,LEMON CRUSH,TB3,W/HARDWARE	1
T1	DGN148038	ELECTRONICS BOX,ASSY,ORANGE CRUSH,TB3,W/HARDWARE	1
U1	DGN1801259-POR7	ELECTRONICS BOX,ASSY,EVOLUTION ORANGE,TB3,W/HARDWARE	1
V1	DGN1707169	ELECTRONICS BOX,ASSY,CARBON FIBER,TB3,W/HARDWARE	1
W1	DGN1707171	ELECTRONICS BOX,ASSY,DIGITAL CAMO,TB3,W/HARDWARE	1
X1	DGN1707173	ELECTRONICS BOX,ASSY,FADED GLORY,TB3,W/HARDWARE	1
Y1	SCRPPH1163	SCREW, PAN HEAD, TYPE H, M4X0.7 X 10, FT, ISO 7045, CL 4.8, BZ	4
Z1	HDW131337	STANDOFF,MALE-FEMALE,M4-0.7 X 15MM	4

12. Electronics Cover Shrouds - TB3 Redesigned Back

Painted E-Box Assy			
Ref#	Color Name	Part Suffix	Color Code
A1a	Back in Black	PBK1	PPW-BLK-01
A1b	Night Train	PBK3	PPW-BLK-03
A1c	Grey Street	PSL3	PPW-SIL-03
A1d	White Satin	PWT2	PPW-WHT-02
A1e	Red Corvette	PRD1	PPW-RED-01
A1f	Cherry Bomb	PRD4	PPW-RED-04
A1g	Pretty in Pink	PPK3	PPW-PNK-03
A1h	Raspberry Beret	PPK4	PPW-PNK-04
A1i	Sugar Plum	PPR7	PPW-PRP-07
A1j	Deep Purple	PPR5	PPW-PRP-05
A1k	Midnight Blue	PBU10	PPW-BLU-10
A1l	Electric Blue	PBU9	PPW-BLU-09
A1m	Blue Jean	PBU11	PPW-BLU-11
A1n	Green Machine	PGN11	PPW-GRN-11
A1o	Military Green	PGN8	PPW-GRN-08
A1p	Lemon Crush	PYL4	PPW-YEL-04
A1q	Evolution Orange	POR7	PPW-ORN-07
A1r	Carbon Fiber	WCB1	PWT-CBN-01
A1s	Digital Camo	WCM7	PWT-CMO-07
A1t	Faded Glory	WFL2	PWT-FLG-02

Please note: The Painted E-Box Cover is only available as an assembly. The components are not available individually.  
All mounting hardware is included with the assembly.

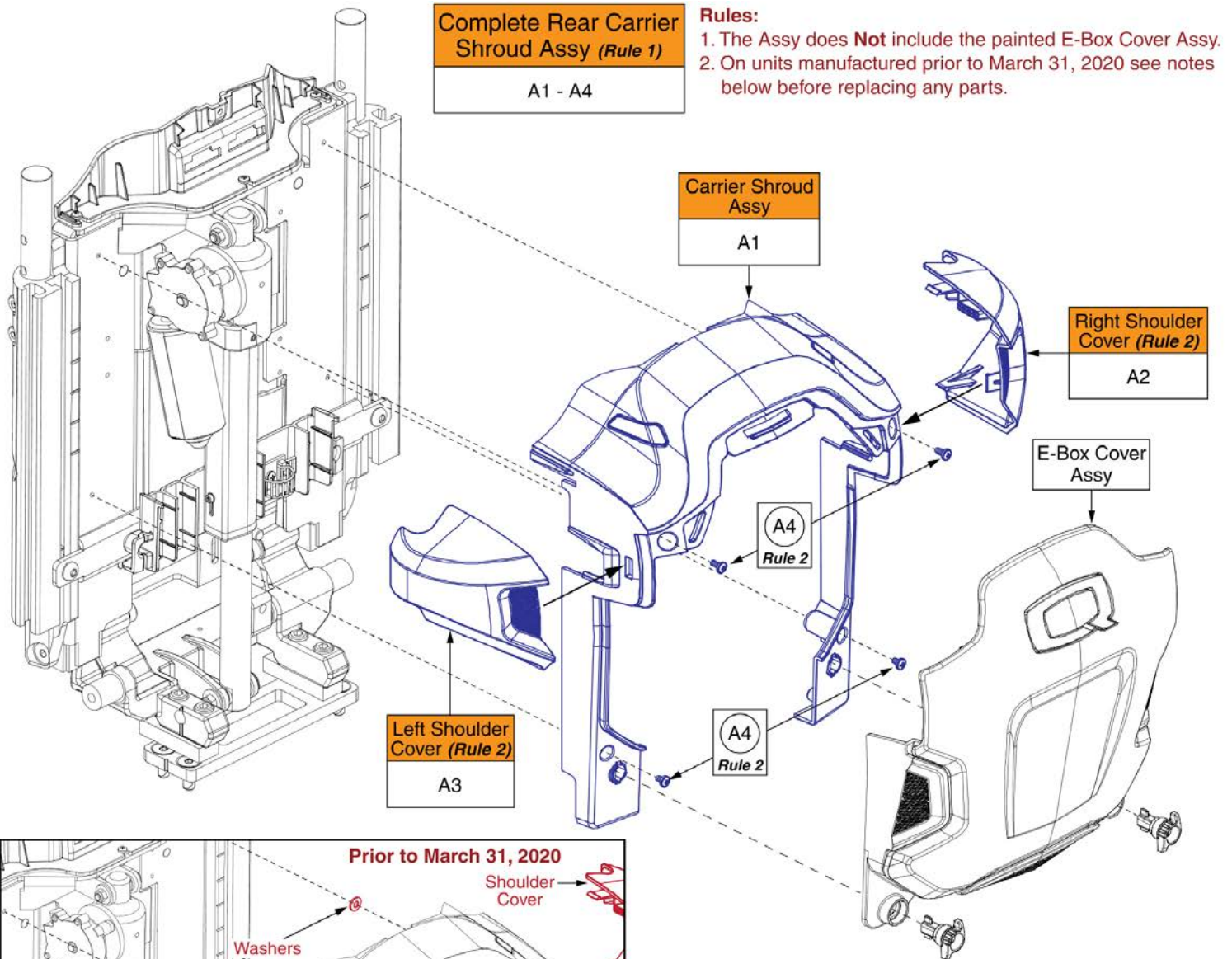


**Painted E-Box Shrouds, TB3 Redesigned Back**



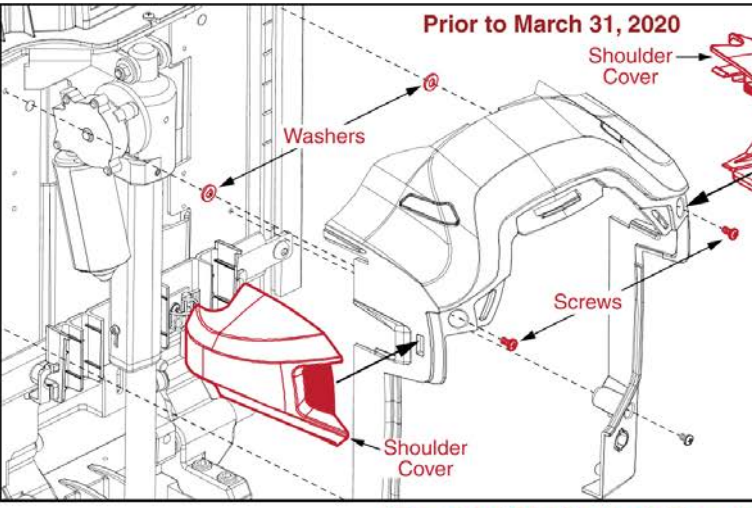
Item	Part No.	Name	Qty
A1a	DGN1714085-PBK1	ELECTRONICS BOX,ASSY,BACK IN BLACK/BLACK,W/MOUNTING HARDWARE	1
A1b	DGN1714085-PBK3	ELECTRONICS BOX,ASSY,NIGHT TRAIN,W/MOUNTING HARDWARE	1
A1c	DGN1714085-PSL3	ELECTRONICS BOX,ASSY,GREY STREET,W/MOUNTING HARDWARE	1
A1d	DGN1714085-PWT2	ELECTRONICS BOX,ASSY,WHITE SATIN,W/MOUNTING HARDWARE	1
A1e	DGN1714085-PRD1	ELECTRONICS BOX,ASSY,RED CORVETTE/CANDY APPLE RED,W/MOUNTING HARDWARE	1
A1f	DGN1714085-PRD4	ELECTRONICS BOX,ASSY,CHERRY BOMB,W/MOUNTING HARDWARE	1
A1g	DGN1714085-PPK3	ELECTRONICS BOX,ASSY,PRETTY IN PINK,W/MOUNTING HARDWARE	1
A1h	DGN1714085-PPK4	ELECTRONICS BOX,ASSY,RASPBERRY BERET,W/MOUNTING HARDWARE	1
A1i	DGN1714085-PPR7	ELECTRONICS BOX,ASSY,SUGAR PLUM,W/MOUNTING HARDWARE	1
A1j	DGN1714085-PPR5	ELECTRONICS BOX,ASSY,DEEP PURPLE,W/MOUNTING HARDWARE	1
A1k	DGN1714085-PBU10	ELECTRONICS BOX,ASSY,MIDNIGHT BLUE,W/MOUNTING HARDWARE	1
A1l	DGN1714085-PBU9	ELECTRONICS BOX,ASSY,ELECTRIC BLUE/TRUE BLUE,W/MOUNTING HARDWARE	1
A1m	DGN1714085-PBU11	ELECTRONICS BOX,ASSY,BLUE JEAN,W/MOUNTING HARDWARE	1
A1n	DGN1714085-PGN11	ELECTRONICS BOX,ASSY,GREEN MACHINE,W/MOUNTING HARDWARE	1
A1o	DGN1714085-PGN8	ELECTRONICS BOX,ASSY,MILITARY GREEN,W/MOUNTING HARDWARE	1
A1p	DGN1714085-PYL4	ELECTRONICS BOX,ASSY,LEMON CRUSH,W/MOUNTING HARDWARE	1
A1q	DGN1714085-POR7	ELECTRONICS BOX,ASSY,EVOLUTION ORANGE,W/MOUNTING HARDWARE	1
A1r	DGN1714085-WCB1	ELECTRONICS BOX,ASSY,CARBON FIBER,W/MOUNTING HARDWARE	1
A1s	DGN1714085-WCM7	ELECTRONICS BOX,ASSY,DIGITAL CAMO,W/MOUNTING HARDWARE	1
A1t	DGN1714085-WFL2	ELECTRONICS BOX,ASSY,FADED GLORY,W/MOUNTING HARDWARE	1
B1	MEC1902176	QUARTER TURN, ASSEMBLY	2

12. Electronics Cover Shrouds - TB3 Redesigned Back



**Complete Rear Carrier Shroud Assy (Rule 1)**  
A1 - A4

- Rules:**
1. The Assy does **Not** include the painted E-Box Cover Assy.
  2. On units manufactured prior to March 31, 2020 see notes below before replacing any parts.



- Notes for units manufactured prior to March 31, 2020**
- Prior to March 31, 2020 two washers and longer screws were utilized to mount the carrier shroud to the back of the unit. This was to prevent the shoulder covers from contacting the back assembly.
  - A product enhancement occurred to the shoulder covers and the washers are no longer needed.
  - Replace A2 & A3 in pairs on units manufactured prior to this date.
  - If replacing hardware A4, A2 & A3 must be selected as well.
  - The Carrier Shroud and E-Box cover are not affected.

**Contact Technical Service for more Information.**

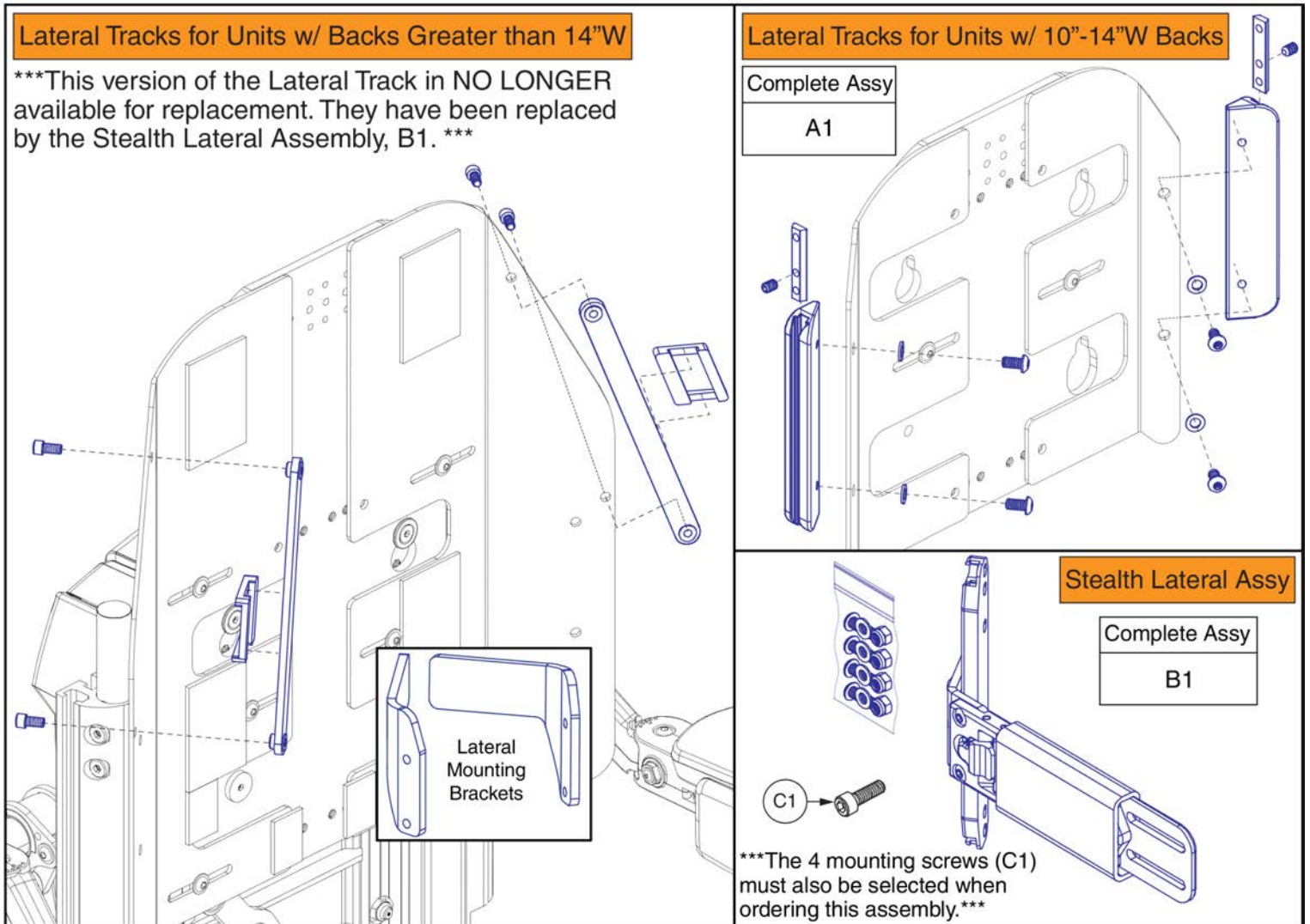


# Carrier Shroud Assy, TB3 Redesigned Back



Item	Part No.	Name	Qty
A1 - A4	DGN1904463	REAR SHROUD ASSEMBLY,BACK REFLECTORS,REDESIGNED BACK	1
A1	DGN1900261	UPPER CARRIER WITH REFLECTOR PLUGS, ASSEMBLY, TB4 BACK	1
A2	DGN1714081	ARM COVER, RIGHT, TB4 BACK	1
A3	DGN1714080	ARM COVER, LEFT, TB4 BACK	1
A4	SCRPPH1304	SCREW,PPH,BLACK ZINC,M4-.7 X 6MM	4

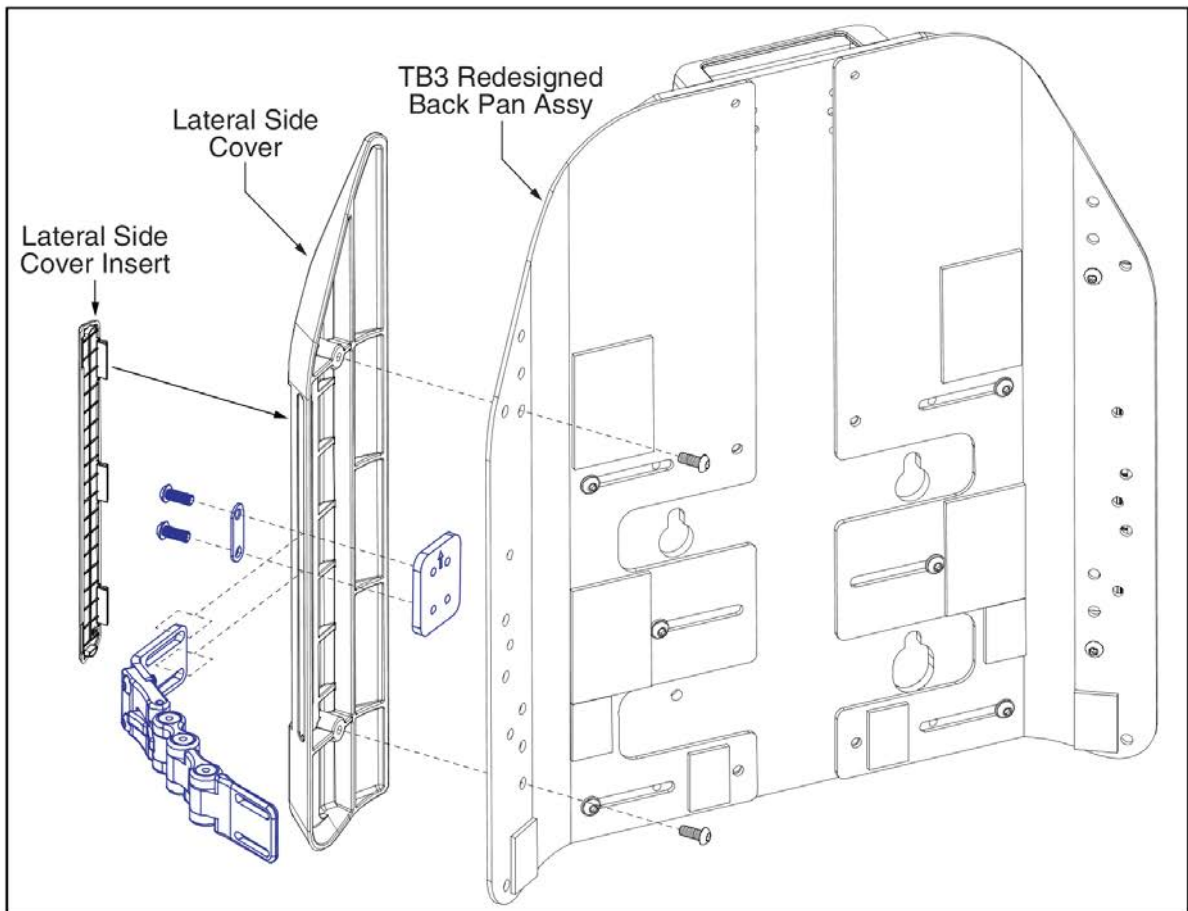
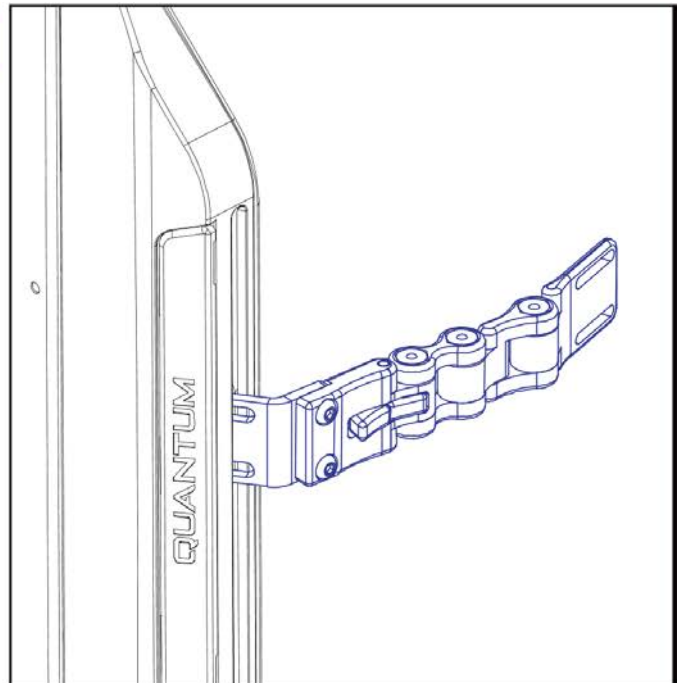
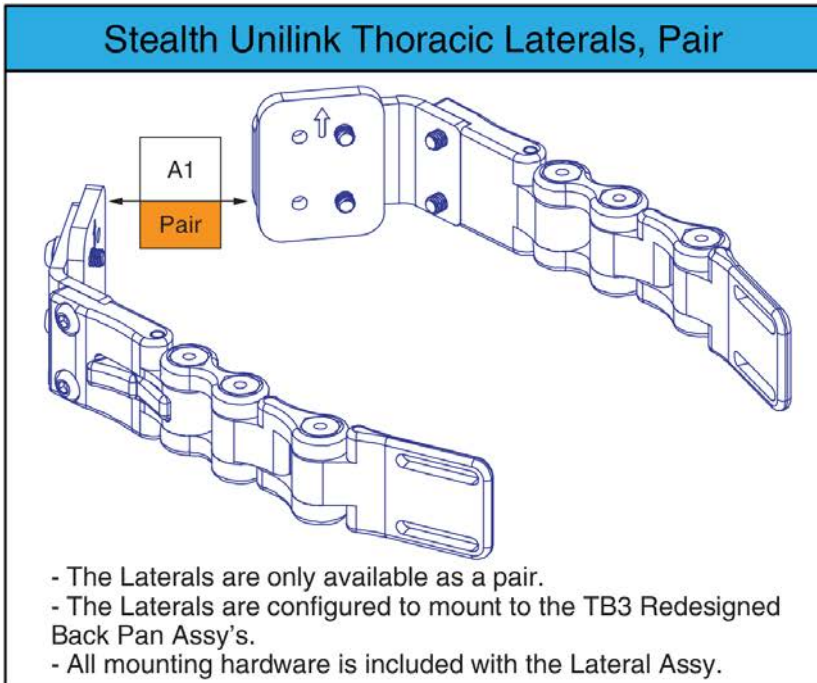
13. Thoracic Lateral Mounts



The Lateral Tracks are only available as assemblies and as a set .

Item	Part No.	Name	Qty
A1	FRMASMB16274	LATERAL EXTENSION,ASSY,6",SYNERGY STANDARD BACK	1
B1	INDPART2677	MOUNTING BRACKET,THORACIC LATERAL 125° SWING AWAY BRACKET,TRU-COMFORT,PAIR,(STEALTH:TWBTLTC)	1
C1	SCRSHCS1005	SCREW, SHCS,BLACK ZINC,1/4-20 X 0.75"	4

13. Thoracic Lateral Mounts



Item	Part No.	Name	Qty
A1	ST-ULS4042000-Q	LATERAL UNILINK MOUNTING HARDWARE,REDESIGNED BACK,(STEALTH:ULS4042000-Q),Pair	1

14. Lap Belts

**Standard Style Lap Belts**

A1	38" Ped.
B1	50"
C1	60"
D1	70"
E1	80"
F1	90"

**G1 Stealth Retractable Lap Belt, 45"L**

**H1**  
Standard Lap Belt Mounting Hardware

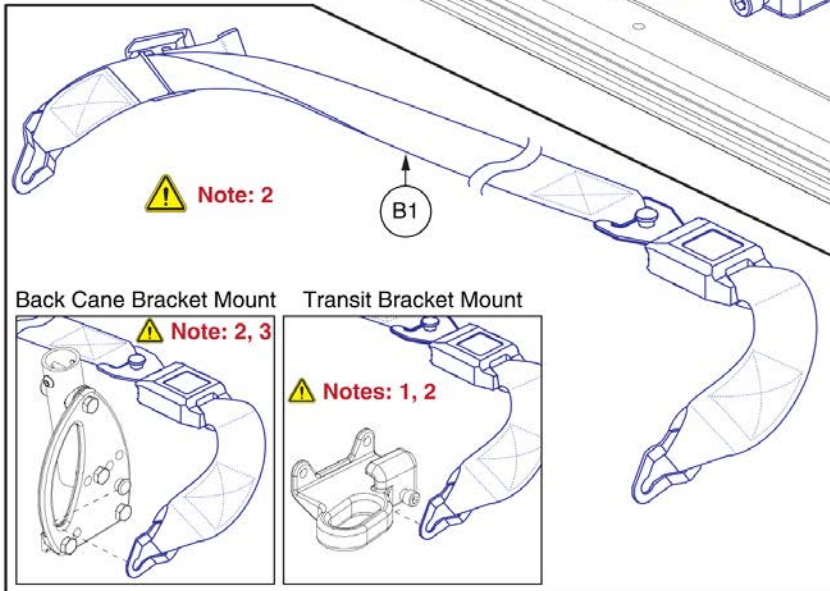
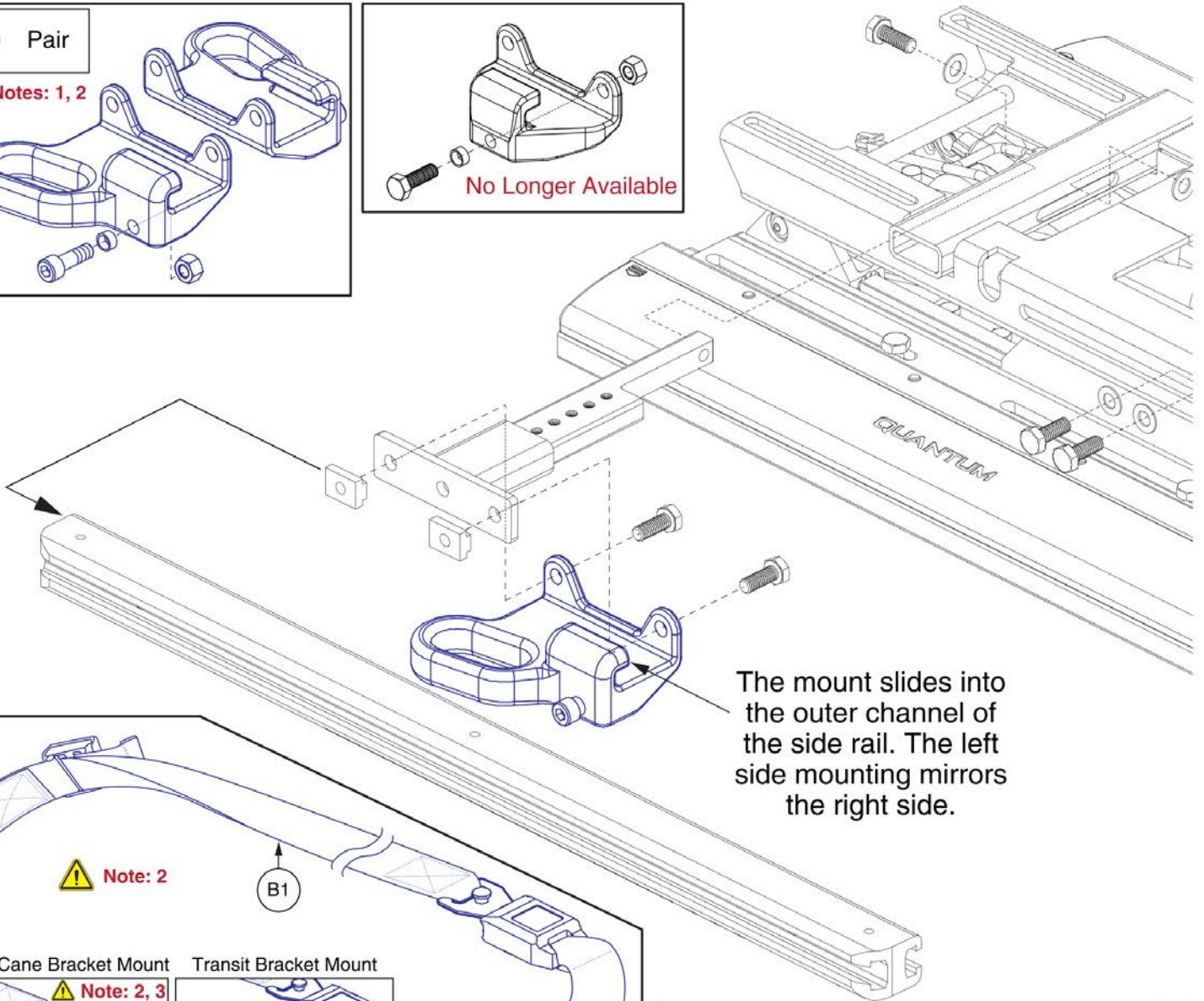
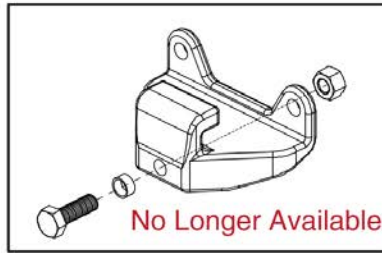
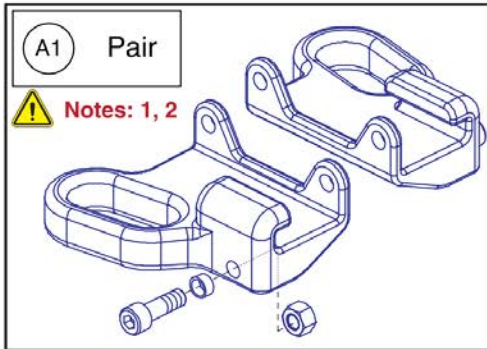
**I1**  
Pediatric Lap Belt Mounting Hardware

**J1**  
Stealth Retractable Lap Belt Mounting Hardware

Please note: The lap belt mounting hardware (I1, H1, & J1) are complete assy's and include both sides.

Item	Part No.	Name	Qty
A1	ACCBELT1006	LAP BELT,1-1/2 X 38",PEDIATRIC,AUTO STYLE	1
B1	ACCBELT1000	LAP BELT,50",C-1010-336	1
C1	ACCBELT1002	LAP BELT,60",C-1010-336	1
D1	ACCBELT1003	LAP BELT,70",C-1010-336	1
E1	ACCBELT1004	LAP BELT,80",C-1010-336	1
F1	ACCBELT1001	LAP BELT,90",C-1010-336	1
G1	ST-IFRB5350	RETRACTABLE LAP BELT AND BUCKLE,45"L	1
H1	HDW130230	LAP BELT MOUNTING HARDWARE,ASSY,UNIVERSAL	1
I1	HDW131909	LAP BELT MOUNTING HARDWARE,ASSY,PEDIATRIC/POSITIONING,TRU-BALANCE 3	1
J1	HDW1714576	RETRACTABLE LAP BELT MOUNTING HARDWARE,ASSY	1

14. Lap Belts



**Notes:** ⚠

1. For use on units equipped with Static or Power Recline backs.
2. See the Occupied Transit Seat Base IPBs for more information.
3. See the Back Cane Bracket IPB for selection.

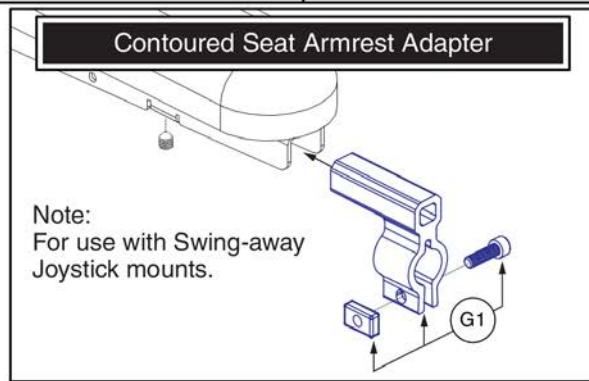
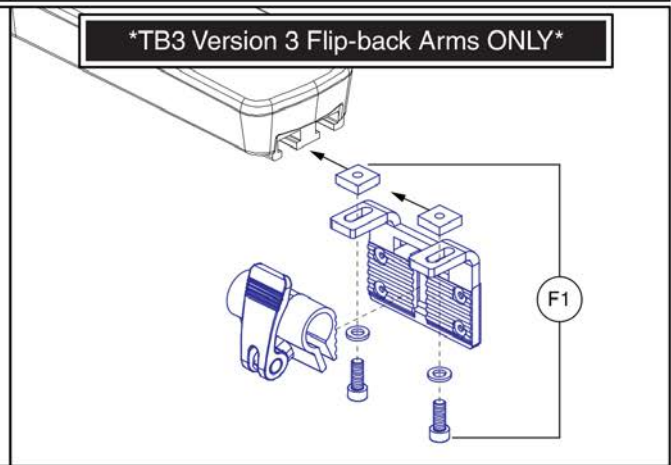
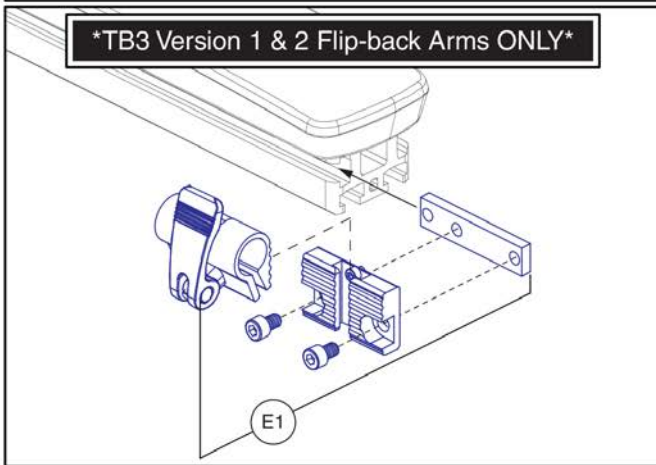
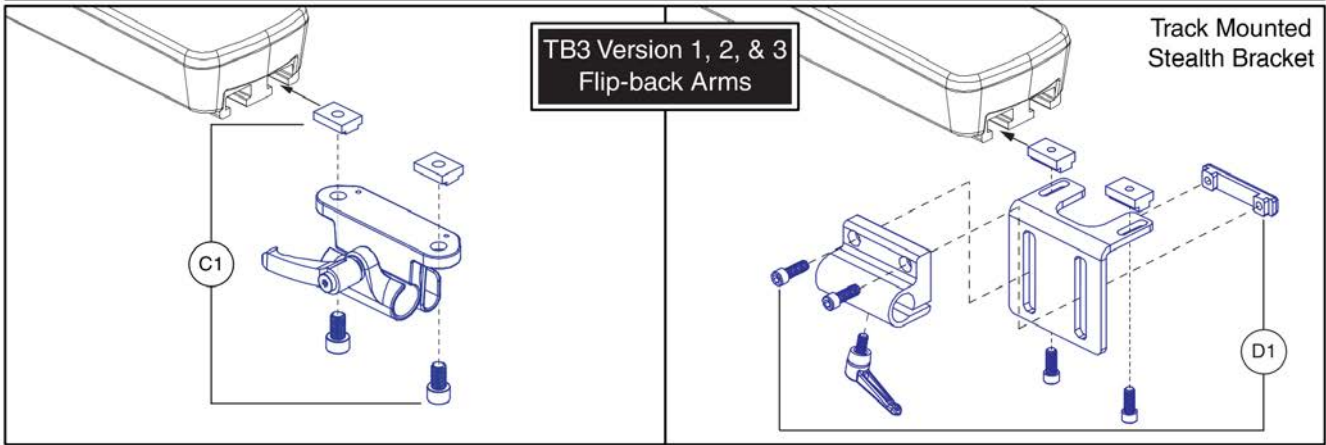
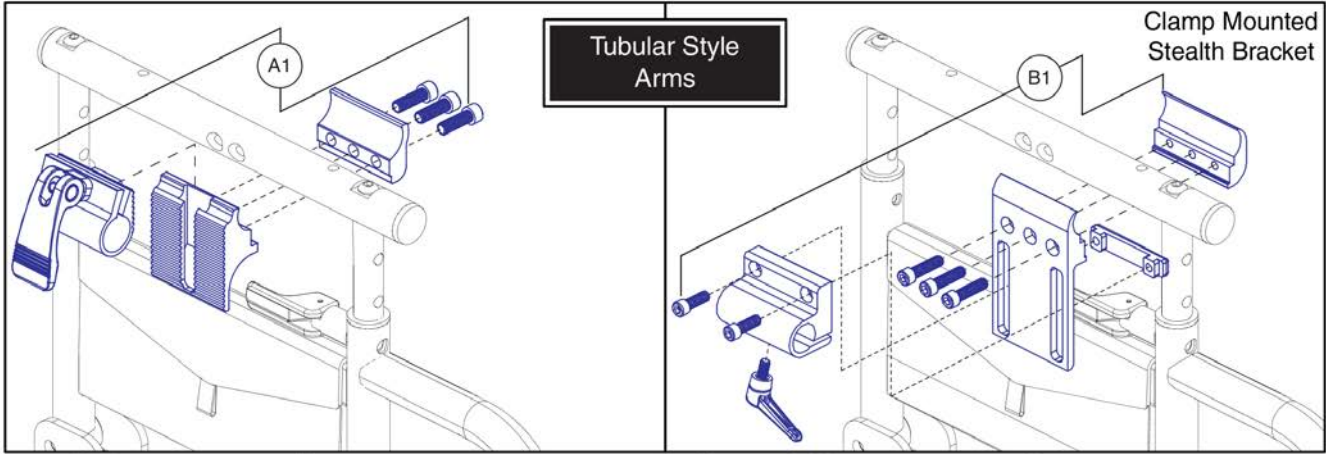


# Occupied Transit Lap Belt Mount, TB3



Item	Part No.	Name	Qty
A1	MEC1909905	LAP BELT MOUNT,ASSY,OCCUPIED TRANSIT SECUREMENT LOOP W/DECALS	1
B1	ACCBELT1016	LAP BELT,60",NON-RETRACTABLE,(SURE-LOK: FE201070)	1

15. Joystick Receivers

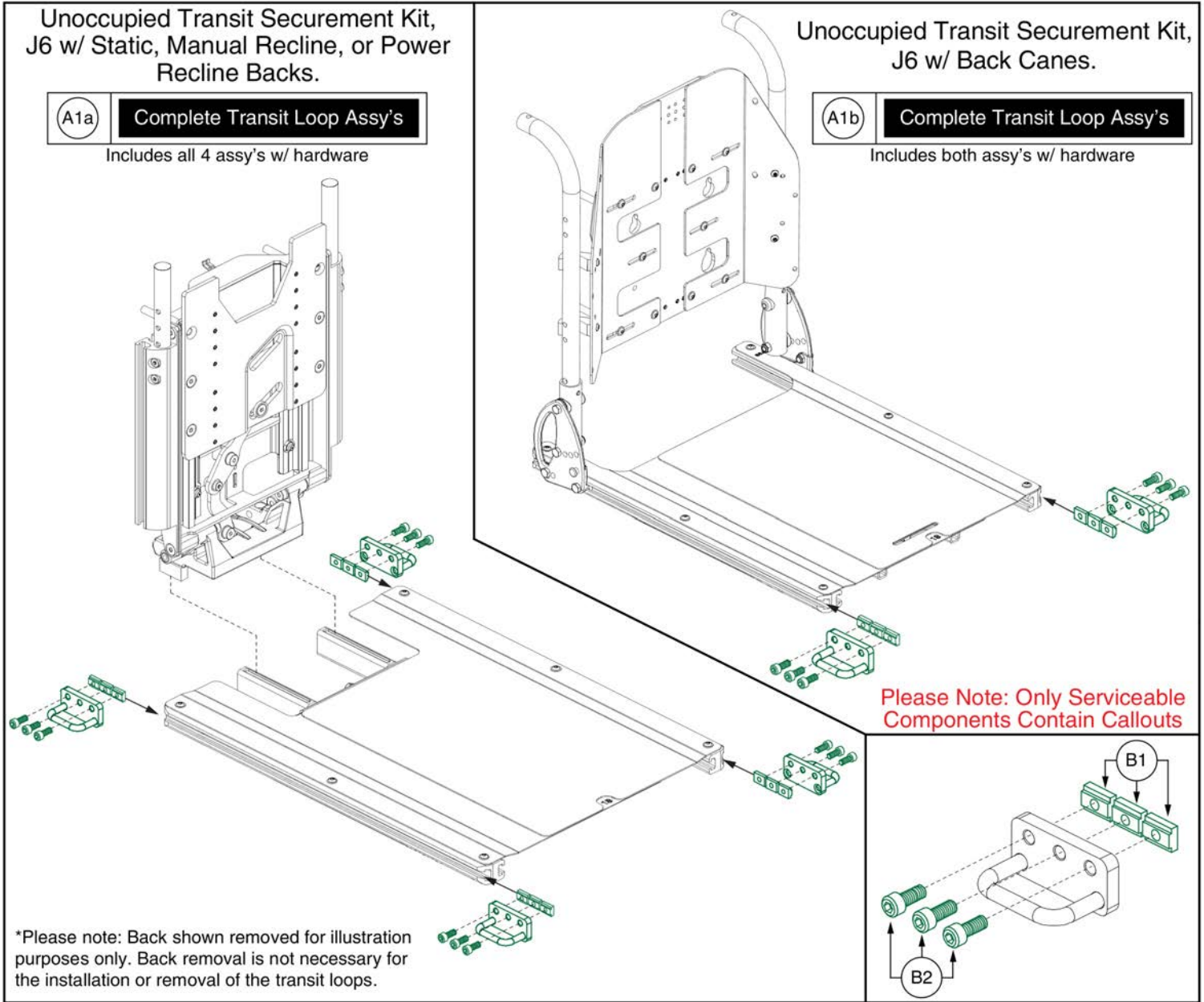


# Joystick Receiver Mounts, Quantum



Item	Part No.	Name	Qty
A1	FRMASMB16062	JOYSTICK RECEIVER MOUNT,ASSY,UNIVERSAL,ADJUSTABLE BLOCK,D-1000-313	1
B1	ST-ARM250C-Q	JOYSTICK MOUNT,ASSY,HEIGHT ADJUSTABLE,W/CLAMP HARDWARE	1
C1	MEC1809294	JOYSTICK RECEIVER MOUNT,ASSY,W/MOUNTING HARDWARE,ADJUSTABLE HANDLE	1
D1	ST-ARM250T-Q	JOYSTICK MOUNT,ASSY,HEIGHT ADJUSTABLE,W/TRACK HARDWARE	1
E1	ACC123525	JOYSTICK RECEIVER MOUNT,ASSY,W/ACCESSORY BLOCK,TRUBALANCE 3	1
F1	ACC1806853	JOYSTICK RECEIVER MOUNT,ASSY,W/MOUNTING HARDWARE,TRU-BALANCE 3 ARMREST	1
G1	MEC146133	ARMREST ADAPTER ASSEMBLY	1

16. Seat Mounted Transit Loops



# Unoccupied Transit Loops, J6 w/ TB3 Seating



Item	Part No.	Name	Qty
A1a	MEC1805780	TRANSIT SECUREMENT KIT,ASSY,TRU BALANCE 3,J6	1
A1b	MEC1801313	TRANSIT SECUREMENT KIT,ASSY,TRU BALANCE 3,J6,BACK CANES	1
B1	NUT8120005	NUT,T-SLOT,BLACK,M8-1.25	3
B2	HDW125250	SCREW, SOCKET HEAD, M8X1.25 X 20, ISO 4762, CL 12.9, BZ, PVTP	3

17. Owner's Packages



# Owner's Package

Item	Part No.	Name	Qty
*N/A	INF130774	OWNER'S PACKAGE,ASSY,TRU-BALANCE 3	1
*N/A	INFMANU4488	MANUAL,BASIC OPERATION INSTRUCTIONS,TRU-BALANCE 3 POWER POSITIONING SYSTEM	1
*N/A	HDW132302	TOOL KIT,ASSY,TRU-BALANCE 3	1
*N/A	SCRPPH1036	SCREW, PAN HEAD, TYPE H, M4X0.7 X 8, FT, ISO 7045, CL 4.8, BZ	2
*N/A	VELSGAD1008	REUSABLE FASTENER,HOOK & LOOP,10" X 2",W/ADHESIVE BACK,SET	2

17. Owner's Packages



# Owner's Package



Item	Part No.	Name	Qty
*N/A	SCRPPH1036	SCREW, PAN HEAD, TYPE H, M4X0.7 X 8, FT, ISO 7045, CL 4.8, BZ	2
*N/A	INFMANU4488	MANUAL,BASIC OPERATION INSTRUCTIONS,TRU-BALANCE 3 POWER POSITIONING SYSTEM	1
*N/A	HDW132302	TOOL KIT,ASSY,TRU-BALANCE 3	1
*N/A	VELSGAD1008	REUSABLE FASTENER,HOOK & LOOP,10" X 2",W/ADHESIVE BACK,SET	2

17. Owner's Packages



# Owner's Package

# Occupied Transit Documentation, TB3



Item	Part No.	Name	Qty
*N/A	KIT152047	KIT,ASSY,TRANSIT SECUREMENT PACKAGE,OCCUPIED,US,TB3 SEAT	1
*N/A		DECAL,WC19 ANSI/RESNA,ISO 7176-19 APPROVAL,READ OWNER'S MANUAL,L-1235-169	1
*N/A	INFMANU3658	MANUAL,TRANSIT SECUREMENT SYSTEM,POWERCHAIR	1
*N/A	HDW125250	SCREW, SOCKET HEAD, M8X1.25 X 20, ISO 4762, CL 12.9, BZ, PVTP	1
*N/A		MANUAL,ASSY,QUICK REFERENCE TAG,WITH LANYARD AND RING,GENERIC OCCUPIED TRANSIT,US	1

18. Decal Packages



# Decal Package

# Decal Package - HD Tilt, TB3



Item	Part No.	Name	Qty
*N/A	LAB137681	DECAL,ASSY,TRU-BALANCE 3 HD TILT/TILT & RECLINE	1
*N/A	DWR1235L167	DECAL,PINCH POINT WARNING,0.50",L-1235-167	2
*N/A	DWR1235L176	DECAL,ICON,MAXIMUM WEIGHT CAPACITY,450LBS/204KG,L-1235-176	1
*N/A	DWR1235L199	DECAL,READ OWNER'S MANUAL,ONLY AN AUTHORIZED TECHNICIAN CAN ADJUST THE SEAT,L-1235-199	1
*N/A	DWR1235L603	DECAL,READ OWNER'S MANUAL,ONLY AN AUTHORIZED TECHNICIAN CAN ADJUST THE SEAT,FRENCH,L-1235-603	1

18. Decal Packages



# Decal Package

## Decal Package - Lift Seating, TB3



Item	Part No.	Name	Qty
*N/A	LAB130736	DECAL,ASSY,TB3 LIFT/LIFT & TILT/LIFT TILT & RECLINE	1
*N/A	DWR1234L004	DECAL,ICON,300LBS/135 KG,MAXIMUM WEIGHT CAPACITY,L-1234-004	1
*N/A	DWR1235L167	DECAL,PINCH POINT WARNING,0.50",L-1235-167	2
*N/A	DWR1235L199	DECAL,READ OWNER'S MANUAL,ONLY AN AUTHORIZED TECHNICIAN CAN ADJUST THE SEAT,L-1235-199	1
*N/A	DWR1235L603	DECAL,READ OWNER'S MANUAL,ONLY AN AUTHORIZED TECHNICIAN CAN ADJUST THE SEAT,FRENCH,L-1235-603	1

18. Decal Packages



# Decal Package



**Decal Package - Tilt Only / Tilt and Recline, TB3**

Item	Part No.	Name	Qty
*N/A	LAB130735	DECAL,ASSY,TRU-BALANCE 3 TILT/TILT & RECLINE	1
*N/A	DWR1234L004	DECAL,ICON,300LBS/135 KG,MAXIMUM WEIGHT CAPACITY,L-1234-004	1
*N/A	DWR1235L167	DECAL,PINCH POINT WARNING,0.50",L-1235-167	2
*N/A	DWR1235L199	DECAL,READ OWNER'S MANUAL,ONLY AN AUTHORIZED TECHNICIAN CAN ADJUST THE SEAT,L-1235-199	1
*N/A	DWR1235L603	DECAL,READ OWNER'S MANUAL,ONLY AN AUTHORIZED TECHNICIAN CAN ADJUST THE SEAT,FRENCH,L-1235-603	1

18. Decal Packages



# Decal Package

# Decal Package - Seat Only/Recline Only, TB3






Item	Part No.	Name	Qty
*N/A	LAB130734	DECAL,ASSY,TRU-BALANCE 3 SEAT/RECLINE	1
*N/A	DWR1235L176	DECAL,ICON,MAXIMUM WEIGHT CAPACITY,450LBS/204KG,L-1235-176	1
*N/A	DWR1235L199	DECAL,READ OWNER'S MANUAL,ONLY AN AUTHORIZED TECHNICIAN CAN ADJUST THE SEAT,L-1235-199	1
*N/A	DWR1235L603	DECAL,READ OWNER'S MANUAL,ONLY AN AUTHORIZED TECHNICIAN CAN ADJUST THE SEAT,FRENCH,L-1235-603	1

18. Decal Packages



# Decal Package

Item	Part No.	Name	Qty
*N/A	LAB1714237	DECAL,ASSY,TRU-BALANCE 3 SEAT,200LBS	1
*N/A	DWR1234L034	DECAL,ICON,MAXIMUM WEIGHT CAPACITY 200 LBS/91 KG,L-1234-034	1
*N/A	DWR1235L199	DECAL,READ OWNER'S MANUAL,ONLY AN AUTHORIZED TECHNICIAN CAN ADJUST THE SEAT,L-1235-199	1
*N/A	DWR1235L603	DECAL,READ OWNER'S MANUAL,ONLY AN AUTHORIZED TECHNICIAN CAN ADJUST THE SEAT,FRENCH,L-1235-603	1

Current Quantum Colors as of 9-1-2019																		
Color Name	Color Name Variant	Part Suffix	Color Code	Edge 3 Stretto	Edge 3	Edge 2.0	Edge 2.0X	Edge	Edge X	4Front	Edge Z	Edge HD	R44 Rival	J4 / Q4	J6	1450	Kozmo	
Back in Black	Black, Onyx Black Metallic Black	PBK1	PPW-BLK-01	X	X	X	X	X	X	X	X	X	X	X	X			
Night Train		PBK3	PPW-BLK-03	X	X	X	X			X	X	X	X					
Grey Street		PSL3	PPW-SIL-03	X	X	X	X			X	X	X	X					
Silver Bullet		PSL7	PPW-SIL-07			X	X			X	X	X	X					
White Satin	Pearl White	PWT2	PPW-WHT-02	X	X	X	X			X	X	X	X				X	
Red Corvette	Candy Apple Red, Ruby Red	PRD1	PPW-RED-01	X	X	X	X	X	X	X	X	X	X	X	X	X	X	
Cherry Bomb		PRD4	PPW-RED-04	X	X					X								
Pretty in Pink	Rose Quartz	PPK3	PPW-PNK-03	X	X	X	X			X	X	X	X	X	X	X	X	
Raspberry Beret		PPK4	PPW-PNK-04	X	X					X								
Sugar Plum		PPR7	PPW-PRP-07	X	X					X								
Deep Purple		PPR5	PPW-PRP-05	X	X	X	X			X	X	X	X					
Midnight Blue		PBU10	PPW-BLU-10	X	X	X	X			X	X	X	X					
Electric Blue	True Blue, Sapphire Blue	PBU9	PPW-BLU-09	X	X	X	X	X	X	X	X	X	X	X	X	X	X	
Blue Jean		PBU11	PPW-BLU-11	X	X					X								
Green Machine		PGN11	PPW-GRN-11	X	X	X	X			X	X	X	X					
Military Green		PGN8	PPW-GRN-08	X	X					X	X	X	X					
Lime Light		PGN7	PPW-GRN-07			X	X			X	X	X	X					
Yellow Blaze	Orion Yellow, Citrine Yellow	PYL3	PPW-YEL-03			X	X	X	X	X	X	X	X			X	X	
Lemon Crush		PYL4	PPW-YEL-04	X	X	X	X			X								
Orange Crush	Amber Orange	POR6	PPW-ORN-06			X	X			X	X	X	X				X	
Evolution Orange		POR7	PPW-ORN-07	X	X	X	X			X	X	X	X	X	X	X		
Carbon Fiber		WCB1	PWT-CBN-01		X	X				X								
Digital Camo		WCM7	PWT-CMO-07		X	X				X								
Faded Glory		WFL2	PWT-FLG-02		X	X				X								

Prior Generation Quantum Colors as of 9-1-2019																		
Color Name	Color Name Variant	Part Suffix	Color Code	Edge 3 Stretto	Edge 3	Edge 2.0	Edge 2.0X	Edge	Edge X	4Front	Edge Z	Edge HD	R44 Rival	J4 / Q4	J6	1450	Kozmo	
Pewter Grey		PGY1	PPW-GRY-01						X				X					
Silver		PSL1	PPW-SIL-01					X	X			X	X			X		
Cardinal Red	Rex Red	PRD2	PPW-RED-02					X					X					
Pearl Pink	Prehistoric Pink	PPK1	PPW-PNK-01					X	X			X	X		X	X		
Violet	Primitive Purple	PPR2	PPW-PRP-02					X					X					
Sapphire Blue		PPR4	PPW-PRP-04					X	X			X	X			X		
Mariner Blue	Bronto Blue	PBU2	PPW-BLU-02					X					X					
Graphite Blue		PBU3	PPW-BLU-03					X					X					
Viper Blue		PBU1	PPW-BLU-01					X	X			X	X		X	X		
Spring Green	Gator Green	PGN3	PPW-GRN-03					X					X					
Emerald Green		PGN5	PPW-GRN-05					X	X			X	X			X		
Kelly Green		PGN6	PPW-GRN-06					X					X		X			
Solar Yellow		PYL1	PPW-YEL-01					X					X					
Champagne	Saber Yellow	PCH1	PPW-CHA-01					X	X			X	X			X		
Tangerine		POR2	PPW-ORN-02					X					X					
Sunburst Orange		POR1	PPW-ORN-01					X	X			X	X		X	X		

Appendix A:Pages Index

14"-16"W Back Pans, TB3 Redesigned Back . . . . . 237

14"-16"W Sport Back 4 Complete Assy's, TB3 Redesigned Back . . . . . 213

16"-20"W Back Pans, TB3 Redesigned Back . . . . . 239

16"-20"W Sport Back 4 Complete Assy's, TB3 Redesigned Back . . . . . 215

18"-22"W Back Pans, TB3 Redesigned Back . . . . . 241

18"-22"W Sport Back 4 Complete Assy's, TB3 Redesigned Back . . . . . 217

4Front Tilt (TB3.5) Interface, TB3 . . . . . 39, 83

Accessory Bar, TB3 . . . . . 127, 281

Accessory Bar, TB3 Redesigned Back . . . . . 153, 283

Aftermarket Back Interface, TB3 . . . . . 125

Angle Adjustable & Flip-forward Back Cane Brackets, TB3 . . . . . 269

Angle Adjustable Tower Interfaces, TB3 . . . . . 55, 87

Back Cane Accessory Bars, Synergy Style Canes . . . . . 275

Back Cane Electronics Mount & Static Seat Cosmetic Cover, TB3 . . . . . 277

Back Cane Rigidizing Bars, TB3 . . . . . 267

Back Canes, TB3 . . . . . 265

Back Pan, 10"-14"W, No Cushion, TB3 . . . . . 197

Back Pan, 16"-20"W, No Cushion, TB3 . . . . . 199

Back Pan, 20"-24"W, No Cushion, TB3 . . . . . 201

Back Pan, 24"-28"W, No Cushion, TB3 . . . . . 203

Back Pan, 28"-32"W, No Cushion, TB3 . . . . . 205

Back Plate Mounting Hardware, TC2 & Sport Backs w/ Back Canes . . . . . 279

Back/E-Box Bracket for Back Cane Units w/o a Back, TB3 . . . . . 273

Carrier Shroud Assy, TB3 Redesigned Back . . . . . 151, 297

Comps. for adding a Lift to a Tilt, "Wave Interface", TB3 . . . . . 63, 93

Decal Package - 4Front w/200lb Weight Capacity, TB3 . . . . . 325

Decal Package - HD Tilt, TB3 . . . . . 317

Decal Package - Lift Seating, TB3 . . . . . 319

Decal Package - Seat Only/Recline Only, TB3 . . . . . 323

Decal Package - Tilt Only / Tilt and Recline, TB3 . . . . . 321

ENDO Back Cane Brackets, TB3 . . . . . 271

Electronics Boxes - New Quantum Colors, 6/1/15, TB3 . . . . . 293

Electronics Boxes - Original Quantum Colors,Pre 6/1/15, TB3 . . . . . 291

Fixed Tower Interfaces, TB3 . . . . . 57, 89

Flip Forward Back Assy, REAC Lift, TB3 Redesigned Back . . . . . 139

Flip Forward Back Assy, Static Base, TB3 Redesigned Back . . . . . 141

Flip Forward Back Assy, TB3.5 Tilt, TB3 Redesigned Back . . . . . 137

J6 Seat Only Interface Plate & Base Mounting Hardware, TB3 . . . . . 13, 71

J6 Tilt (TB3.5) Interface, TB3 . . . . . 35, 79

Joystick Receiver Mounts, Quantum . . . . . 307

Lap Belts, TB3 . . . . . 303

Lateral Side Cover Inserts, TB3 Redesigned Back . . . . . 245, 253

Lateral Side Covers, TB3 Redesigned Back . . . . . 255

Lift Frame Assembly, TB3 . . . . . 59

Lift Only Interface Plate, TB3 . . . . . 61, 91

Lift to Tilt Wave Interface Matrix - AFP, TB3 . . . . . 66, 96

Lift to Tilt Wave Interface, Matrix - Standard Riggings, TB3 . . . . . 65, 95

Manual Recline Back Assy, TB3 . . . . . 107

Manual Recline Back Assy, for TB3.5 (V2) Tilt Seat . . . . . 109

Occupied Transit Documentation, TB3 . . . . . 315

Occupied Transit Lap Belt Mount, TB3 . . . . . 305

Occupied Transit Tilt Only Base Frame with Actuator, TB3 . . . . . 53

Owner's Package - Occupied Transit, TB3 . . . . . 313

Owner's Package, TB3 . . . . . 311

Painted E-Box Shrouds, TB3 Redesigned Back . . . . . 149, 295

Power Recline Back Assy, TB3 . . . . . 111

Power Recline Back Assy, for TB3.5 (V2) Tilt Seat . . . . . 113

Power Recline Back, V2(TB3.5) Tilt TB3, Occupied Transit . . . . . 121

Power Recline Back, Version 1 Tilt TB3, Occupied Transit . . . . . 123

Privacy Flaps, TB3 . . . . . 211

Q6 Edge 3 Stretto Seat Only Interface, TB3 . . . . . 15, 73

Q6 Edge 3 Stretto Tilt (TB3.5) Interface, TB3 . . . . . 33, 77

Q6 Edge Series Tilt (TB3.5) Interface, TB3 . . . . . 31, 75

Quantum Color Reference Chart . . . . . 327

R44 (Rival) Tilt (TB3.5) Interface, TB3 . . . . . 37, 81

Recline Back Assy, REAC Lift, TB3 Redesigned Back . . . . . 145

Recline Back Assy, Static Base, TB3 Redesigned Back . . . . . 147

Recline Back Assy, TB3.5 Tilt, TB3 Redesigned Back . . . . . 143

STEALTH 125° Thoracic Laterals & Lateral Mounting Tracks, TB3 . . . . . 299

STEALTH Comfort Plus Unilink Headrest Mount & Pads . . . . . 287

STEALTH Headrest Brackets and Pads . . . . . 285

STEALTH Unilink Thoracic Laterals, TB3 Redesigned Back . . . . . 301

Seat Only Complete Base Matrix, Occupied Transit, TB3 . . . . . 9

Seat Only Complete Base Matrix, TB3 . . . . . 3

Seat Only Depth Components and Side Rails, TB3 . . . . . 7

Seat Only Interface Plate and Base Mounting Hardware, TB3 . . . . . 11, 68

Seat Only Width Components, TB3 . . . . . 5

Seat Pan Matrix, TB3 . . . . . 1

Sport Back 4 Cushion Covers, 14"-18"W . . . . . 193, 225

Sport Back 4 Cushion Covers, 19"-22"W . . . . . 195, 227

Sport Back 4 Cushions, 14"-18"W . . . . . 187, 221

Sport Back 4 Cushions, 19"-22"W . . . . . 189, 223

Sport Back 4 Cushions, 24"-28"W . . . . . 191

Sport Back Cushions - 12"-20"W, TB3 . . . . . 171

Sport Back Cushions - 21"-32"W, TB3 . . . . . 173

Static Back Assy, Flip Forward, TB3 . . . . . 103

Static Back Assy, Flip Forward, for TB3.5 (V2) Tilt Seat . . . . . 105

Static Back Assy, REAC Lift, TB3 Redesigned Back . . . . . 133

Static Back Assy, Static Base, TB3 Redesigned Back . . . . . 135

Static Back Assy, TB3 . . . . . 98

Static Back Assy, TB3.5 Tilt, TB3 Redesigned Back . . . . . 131

Static Back Assy, for TB3.5 (V2) Tilt Seat . . . . . 101

Static Back, Seat Only TB3, Occupied Transit . . . . . 115

Static Back, V2 (TB3.5) Tilt TB3, Occupied Transit . . . . . 117

Static Back, Version 1 Tilt TB3, Occupied Transit . . . . . 119

Stealth ADI Q-Back 2 Contoured Seat Backs . . . . . 263

Stealth ADI Seat Backs, Cane Mounted . . . . . 259

Stealth Contoured Q-Backs, TB3 . . . . . 261

Stealth Simple Solutions Aftermarket Back Adapter Plate . . . . . 129

TB3 Back Cushion Securement Brackets . . . . . 207, 219, 243, 257

TB3 Redesigned Back, Back Height Extension, 14"-16"W . . . . . 247

TB3 Redesigned Back, Back Height Extension, 16"-20"W	249
TB3 Redesigned Back, Back Height Extension, 18"-22"W	251
TB3 Sport Back/Sport Back 4 Complete Back Pan & Cushion Assy's, 12"-22"W	155
TB3 Sport Back/Sport Back 4 Complete Back Pan & Cushion Assy's, 24"-32"W	159
TB3 TRU-Comfort 2/4 Complete Back Pan & Cushion Assy's, 12"-22"W	161
TB3 TRU-Comfort 2/4 Complete Back Pan & Cushion Assy's, 24"-28"W	163
TB3.5 Tilt Painted Base Rail Covers	289
TRU Comfort 2 4 Way Stretch Cushions, 12"-19"W, TB3	166
TRU Comfort 2 4 Way Stretch Cushions, 20"-28"W, TB3	169
TRU Comfort 2 Complete Back w/Mesh Cushion, TB3	165
TRU Comfort 2 Mesh Cushions	175
TRU-Comfort 2 Bolsters and Supports, TB3	209
TRU-Comfort 4 Back Cushion Covers, 14"-18"W	183, 233
TRU-Comfort 4 Back Cushion Covers, 19"-22"W	185, 235
TRU-Comfort 4 Back Cushions, 14"-18"W	176, 229
TRU-Comfort 4 Back Cushions, 19"-22"W	179, 231
TRU-Comfort 4 Back Cushions, 24"-28"W	181
Unoccupied Transit Loops, J6 w/ TB3 Seating	309
Version 1 Tilt Actuator, TB3	49
Version 1 Tilt Base Complete Matrix, TB3	43
Version 1 Tilt Depth Components and Side Rails, TB3	47
Version 1 Tilt Width Components, TB3	44
Version 2 (TB3.5) Tilt Assembly, TB3	25
Version 2 (TB3.5) Tilt Base Complete Matrix, J6	19
Version 2 (TB3.5) Tilt Base Complete Matrix, Occupied Transit, TB3	27
Version 2 (TB3.5) Tilt Base Complete Matrix, TB3	17
Version 2 (TB3.5) Tilt Depth Components, TB3	23
Version 2 (TB3.5) Tilt Width Components, TB3	21
WC19 Transit Seat Base, V1 Tilt - 16"-20"W x 16"-20"D, TB3	51
WC19 Version 2 (TB3.5) Tilt,Actuator,& Tower Brackets, TB3	29, 41, 85



Appendix B:Parts Index

ACC123525	308	ALBR20T64	260
ACC1806853	308	ALBR20T6Q	262
ACC1909634	154, 284	ALBR20TA4	260
ACCBELT1000	304	ALBR20TAQ	262
ACCBELT1001	304	ALBR20TD4	260
ACCBELT1002	304	ALBR20TDQ	262
ACCBELT1003	304	ALBR20X64	260
ACCBELT1004	304	ALBR20XA4	260
ACCBELT1006	304	ALBR20XD4	260
ACCBELT1016	10, 28, 306	CLPCBLC1028	26, 30, 42, 86
ACT8120001	112, 114, 122, 124, 144, 146, 148	CLPCBLC1041	126
ALBR14LA4	260	CUS121432	168
ALBR14LD4	260	CUS121433	168
ALBR14MA4	260	CUS121441	168
ALBR14MD4	260	CUS121442	168
ALBR16S6Q	262	CUS121443	168
ALBR16SA4	260	CUS121444	168
ALBR16SAQ	262	CUS121446	168
ALBR16SD4	260	CUS121447	168
ALBR16SDQ	262	CUS121448	168
ALBR16T64	260	CUS121449	168
ALBR16T6Q	262	CUS121450	168
ALBR16TA4	260	CUS121451	168
ALBR16TAQ	262	CUS121452	168
ALBR16TD4	260	CUS121453	168
ALBR16TDQ	262	CUS121454	168
ALBR16X64	260	CUS121455	168
ALBR16XA4	260	CUS121456	168
ALBR16XD4	260	CUS121458	168
ALBR18S64	260	CUS121460	168
ALBR18S6Q	262	CUS121462	170
ALBR18SA4	260	CUS121463	170
ALBR18SAQ	262	CUS121464	170
ALBR18SD4	260	CUS121465	170
ALBR18SDQ	262	CUS121466	170
ALBR18T64	260	CUS121467	170
ALBR18T6Q	262	CUS121468	170
ALBR18TA4	260	CUS121469	170
ALBR18TAQ	262	CUS121470	170
ALBR18TD4	260	CUS121471	170
ALBR18TDQ	262	CUS121472	170
ALBR18X64	260	CUS121473	170
ALBR18XA4	260	CUS121474	170
ALBR18XD4	260	CUS121476	170
ALBR20S64	260	CUS121477	170
ALBR20S6Q	262	CUS121479	170
ALBR20SA4	260	CUS121480	170
ALBR20SAQ	262	CUS122169	210
ALBR20SD4	260	CUS125348	172
ALBR20SDQ	262	CUS125349	172
		CUS125376	172

CUS125383	174	CUS130588	172
CUS125384	174	CUS130589	172
CUS130539	172	CUS130590	172
CUS130540	172	CUS130591	172
CUS130541	172	CUS130592	172
CUS130542	172	CUS130593	174
CUS130543	172	CUS130594	174
CUS130544	172	CUS130596	174
CUS130545	172	CUS130597	174
CUS130546	174	CUS130598	174
CUS130547	174	CUS131244	210
CUS130548	174	DGN121687	62, 64, 92, 94
CUS130549	174	DGN122675	60
CUS130550	174	DGN123649	48, 52
CUS130551	174	DGN130024	292
CUS130552	174	DGN130025	292
CUS130553	172	DGN130026	292
CUS130554	172	DGN130027	292
CUS130555	172	DGN130028	292
CUS130556	172	DGN130029	292
CUS130557	172	DGN130030	292
CUS130558	174	DGN130031	292
CUS130559	174	DGN130032	292
CUS130560	174	DGN130033	292
CUS130561	174	DGN134114	60
CUS130562	174	DGN139072	60
CUS130563	174	DGN140236	278
CUS130564	174	DGN148032	294
CUS130565	172	DGN148034	294
CUS130566	172	DGN148035	294
CUS130567	172	DGN148036	294
CUS130568	172	DGN148037	294
CUS130569	174	DGN148038	294
CUS130570	174	DGN148045	294
CUS130571	174	DGN148046	294
CUS130572	174	DGN148047	294
CUS130573	174	DGN148074	294
CUS130574	174	DGN148075	294
CUS130575	174	DGN148076	294
CUS130576	172	DGN148077	294
CUS130577	172	DGN168314	26, 290
CUS130578	172	DGN1706558	294
CUS130579	172	DGN1707169	294
CUS130580	172	DGN1707171	294
CUS130581	174	DGN1707173	294
CUS130582	174	DGN1709093-PBK1	290
CUS130583	174	DGN1709093-PBK3	290
CUS130584	174	DGN1709093-PBU10	290
CUS130585	174	DGN1709093-PBU11	290
CUS130586	174	DGN1709093-PBU9	290
CUS130587	174	DGN1709093-PGN11	290

DGN1709093-PGN7	290	DGN1904463	152, 298
DGN1709093-PGN8	290	DWR1005B112	270, 272
DGN1709093-POR6	290	DWR1044E456A	212
DGN1709093-POR7	290	DWR1044E456B	212
DGN1709093-PPK3	290	DWR1234L004	320, 322
DGN1709093-PPK4	290	DWR1234L034	326
DGN1709093-PPR5	290	DWR1235L167	18, 20, 26, 28, 30, 42, 86, 318, 320, 322
DGN1709093-PPR7	290	DWR1235L169	316
DGN1709093-PRD1	290	DWR1235L176	318, 324
DGN1709093-PRD4	290	DWR1235L199	18, 20, 26, 28, 30, 42, 86, 318, 320, 322, 324, 326
DGN1709093-PSL3	290	DWR1235L603	18, 20, 26, 28, 30, 42, 86, 318, 320, 322, 324, 326
DGN1709093-PSL7	290	DWR1306C024	280
DGN1709093-PWT2	290	DWR1306D014	210
DGN1709093-PYL3	290	DWR1306D059	210
DGN1709093-PYL4	290	DWR1358C041	274
DGN1714080	152, 298	DWR1358D021	274
DGN1714081	152, 298	DWR1358D026	274
DGN1714085-PBK1	150, 296	DWR1358D027	274
DGN1714085-PBK3	150, 296	DWR1358D031	274
DGN1714085-PBU10	150, 296	DWR1358D034	274
DGN1714085-PBU11	150, 296	DWR1358D035	274
DGN1714085-PBU9	150, 296	DWR1359B003	268, 280
DGN1714085-PGN11	150, 296	DWR1360A002	270, 272, 274
DGN1714085-PGN8	150, 296	DWR1367C107	126
DGN1714085-POR7	150, 296	DWR1367D075	126
DGN1714085-PPK3	150, 296	DWR1367D076	126
DGN1714085-PPK4	150, 296	DWR1367D077	126
DGN1714085-PPR5	150, 296	DWR1600B109	108, 110
DGN1714085-PPR7	150, 296	ELE124359	60
DGN1714085-PRD1	150, 296	ELE133304	60, 62, 64, 92, 94
DGN1714085-PRD4	150, 296	FAB140123	212
DGN1714085-PSL3	150, 296	FRM8120061	100, 102, 104, 106, 108, 110, 112, 114, 116, 118, 120, 122, 124, 132, 134, 136, 138, 140, 142, 144, 146, 148
DGN1714085-PWT2	150, 296	FRMASMB15834	266
DGN1714085-PYL4	150, 296	FRMASMB15835	266
DGN1714085-WCB1	150, 296	FRMASMB15838	266
DGN1714085-WCM7	150, 296	FRMASMB15839	266
DGN1714085-WFL2	150, 296	FRMASMB15842	266
DGN1714328-PBK3	246, 254	FRMASMB15843	266
DGN1801259-PBU11	294	FRMASMB15999	286
DGN1801259-PGN11	294	FRMASMB16062	308
DGN1801259-POR7	294	FRMASMB16274	300
DGN1801259-PPK4	294	FRMASMB17113	268
DGN1801259-PPR7	294	FRMASMB17114	268
DGN1801259-PRD4	294	FRMASMB17115	268
DGN1801259-PYL4	294	FRMASMB17116	268
DGN1804554-PBK3	246, 254	FRMASMB17117	268
DGN1804555-PBK3	246, 254	HDW120017	26, 30, 42, 50, 54, 86
DGN1804556-PBK3	246, 254	HDW120048	12, 16, 30, 32, 34, 38, 40, 42, 56, 70, 74, 76, 78, 82, 84, 86, 88
DGN1804557-PBK3	246, 254	HDW121242	2, 126, 274, 278, 278
DGN1804558-PBK3	246, 254	HDW122654	26, 30, 42, 50, 54, 86
DGN1900261	152, 298		

HDW123425	132, 134, 136, 138, 140, 142, 144, 146, 148	INF152048	316
HDW124651	60	INFINFB3198	126
HDW124709	198, 200, 202, 204, 206	INFMANU3658	316
HDW124710	200, 202, 204, 206	INFMANU4488	312, 314
HDW124711	198	KIT152047	316
HDW124712	200, 202, 204, 206	KIT153256	126
HDW125250	12, 12, 14, 16, 62, 70, 70, 72, 74, 92, 310, 316	KIT153257	126
HDW130230	304	LAB130734	324
HDW131337	292, 294	LAB130735	322
HDW131509	132, 134, 136, 138, 140, 142	LAB130736	320
HDW131664	22	LAB137681	318
HDW131752	64, 94	LAB1714237	326
HDW131889	58, 90	MEC121721	100, 104, 108, 112, 136, 142, 148
HDW131909	304	MEC122963	100, 102, 104, 106, 108, 110, 116, 118, 120, 132, 134, 136, 138, 140, 142
HDW131958	104, 106, 138, 140, 142	MEC122967	108, 110
HDW132302	312, 314	MEC123467	6, 46
HDW132884	60	MEC123468	6, 46
HDW133071	64, 94	MEC123469	6, 46
HDW133681	34, 78	MEC123472	6, 46
HDW135288	100, 102, 104, 106, 108, 110, 112, 114, 116, 118, 120, 122, 124, 132, 134, 136, 138, 140, 142, 144, 146, 148	MEC123473	6, 46
HDW136557	58, 90	MEC123483	8, 48
HDW136696	12, 16, 34, 70, 74, 78	MEC123484	8
HDW138550	122, 124	MEC123485	8, 48
HDW140237	280	MEC123507	8
HDW142810	32, 34, 56, 76, 78, 88	MEC123508	8
HDW144513	134, 140, 146	MEC123509	8
HDW145339	56, 88	MEC123511	8
HDW145729	30, 32, 38, 40, 42, 76, 82, 84, 86	MEC123948	58, 90
HDW147703	22	MEC124574	60, 64, 94
HDW155565	116, 118, 120	MEC124694	8, 48
HDW160458	38, 82	MEC124940	108, 110
HDW160459	30, 32, 42, 76, 86	MEC125087	108
HDW1705238	40, 84	MEC125098	128, 282
HDW1714576	304	MEC125176	100, 102, 104, 106, 132, 134, 136, 138, 140, 142
HDW1804080	132, 134, 136, 138, 140, 142, 144, 146, 148	MEC130717	48
HDW1805748	40, 84	MEC131121	100, 102, 104, 106, 108, 110, 112, 114, 116, 118, 120, 122, 124, 132, 134, 136, 138, 140, 142, 144, 146, 148
HDW1905071	132, 136, 138, 142, 144, 148	MEC131180	30, 32, 38, 40, 42, 56, 76, 82, 84, 86, 88
HDW1908031	132, 134, 136, 138, 140, 142, 144, 146, 148	MEC131182	30, 32, 32, 42, 56, 56, 76, 76, 86, 88, 88
HDWASMB1084	286	MEC131663	126
HDWASMB1166	286	MEC131667	126
INDPART2219	286	MEC131706	126
INDPART2327	286	MEC131902	32, 56, 76, 88
INDPART2647	286	MEC131957	104
INDPART2648	286	MEC132769	38, 56, 82, 88
INDPART2649	286	MEC133591	56, 88
INDPART2677	300	MEC134757	100
INDPART2715	286	MEC134758	112
INDPART2815	286	MEC137840	56, 88
INDPART2919	286	MEC138015	274, 278
INF130774	312		

MEC140003	278	MEC152478	38, 82
MEC140044	274	MEC152479	38, 82
MEC140090	270	MEC152564	24
MEC140091	270	MEC152567	56, 88
MEC140228	274	MEC152579	22
MEC140229	274	MEC152580	22
MEC140230	274	MEC154716	38, 56, 82, 88
MEC140231	274	MEC155470	116, 120
MEC140233	274	MEC160198	118, 122
MEC140266	270	MEC165253	118
MEC140272	270	MEC169166	122
MEC140278	270	MEC1704198	40, 84
MEC140279	270	MEC1705476	40, 84
MEC140345	100, 102, 104, 106, 108, 110, 112, 114, 118, 122	MEC1705549	278
MEC140969	12, 70	MEC1705730	40, 84
MEC141455	272	MEC1705904	40, 84
MEC141456	272	MEC1706899	36, 80
MEC141457	272	MEC1710696	36, 80
MEC141458	272	MEC1710811	14, 72
MEC141459	272	MEC1710812	14, 72
MEC141460	272	MEC1710813	14, 72
MEC141990	116	MEC1801313	310
MEC141991	116, 118, 120, 120, 122, 124, 124	MEC1804302	256
MEC141992	116, 118, 120	MEC1804303	256
MEC141993	116, 118, 120	MEC1804304	256
MEC142133	32, 34, 56, 76, 78, 88	MEC1804305	256
MEC143975	276	MEC1804306	256
MEC144370	22	MEC1804307	256
MEC145322	56, 88	MEC1804308	256
MEC145365	134, 140, 146	MEC1804309	256
MEC145375	10, 28	MEC1804310	256
MEC145468	120, 124	MEC1804311	256
MEC145469	120, 124	MEC1804312	256
MEC145642	26, 30, 42, 86	MEC1804313	256
MEC145955	276	MEC1805078	132, 134, 136, 138, 140, 142, 144, 146, 148
MEC145989	22	MEC1805780	310
MEC146018	276	MEC1806703	102, 106, 110, 114, 132, 138, 144
MEC146050	276	MEC1808717	16, 74
MEC146051	276	MEC1808718	34, 78
MEC146133	308	MEC1809294	308
MEC150960	124	MEC1809730	34, 78
MEC150961	120, 124	MEC1809731	34, 78
MEC150962	120, 124	MEC1900195	34, 78
MEC151007	22	MEC1900563	102
MEC151579	62, 64, 92, 94	MEC1900564	106
MEC151582	64, 94	MEC1900586	110
MEC151584	62, 92	MEC1901102	136
MEC152199	24	MEC1901103	132
MEC152236	24	MEC1901104	142
MEC152366	30, 32, 42, 76, 86	MEC1901106	134
MEC152432	30, 32, 42, 76, 86	MEC1902176	150, 296

MEC1904112	114	QB2AL20AX	264
MEC1904477	148	QB2AL20DS	264
MEC1904478	144	QB2AL20DT	264
MEC1904489	146	QB2AL20DX	264
MEC1904492	138	QU-SB4-1413	188, 222
MEC1904493	140	QU-SB4-1415	188, 222
MEC1904509	256	QU-SB4-1417	188, 222
MEC1904510	256	QU-SB4-1419	188, 222
MEC1904511	256	QU-SB4-1421	188, 222
MEC1904512	256	QU-SB4-1423	188, 222
MEC1904513	256	QU-SB4-1425	188, 222
MEC1904515	256	QU-SB4-1513	188, 222
MEC1906115	238, 248	QU-SB4-1515	188, 222
MEC1906116	240, 250	QU-SB4-1517	188, 222
MEC1906117	242, 252	QU-SB4-1519	188, 222
MEC1907389	168, 170, 172, 174, 208, 214, 216, 218, 220, 244, 258	QU-SB4-1521	188, 222
MEC1909905	10, 28, 306	QU-SB4-1523	188, 222
MOT136738	26, 30, 42, 50, 54, 86	QU-SB4-1525	188, 222
NUT8120005	6, 22, 46, 104, 106, 138, 140, 142, 270, 272, 310	QU-SB4-1613	188, 222
NUTNYLK1014	126	QU-SB4-1615	188, 222
NUTNYLK1019	100, 102, 104, 106, 108, 110, 112, 114, 116, 118, 120, 122, 124, 132, 134, 136, 138, 140, 142, 144, 146, 148	QU-SB4-1617	188, 222
NUTNYLK1026	270, 272	QU-SB4-1619	188, 222
PLSTIE1004	64, 94	QU-SB4-1621	188, 222
POS148480	286	QU-SB4-1623	188, 222
POS148484	286	QU-SB4-1625	188, 222
POS150617	286	QU-SB4-1713	188, 222
PROHDL1052	266	QU-SB4-1715	188, 222
QB2AL14AS	264	QU-SB4-1717	188, 222
QB2AL14AT	264	QU-SB4-1719	188, 222
QB2AL14DS	264	QU-SB4-1721	188, 222
QB2AL14DT	264	QU-SB4-1723	188, 222
QB2AL146S	264	QU-SB4-1725	188, 222
QB2AL146T	264	QU-SB4-1813	188, 222
QB2AL16AS	264	QU-SB4-1815	188, 222
QB2AL16AT	264	QU-SB4-1817	188, 222
QB2AL16AX	264	QU-SB4-1819	188, 222
QB2AL16DS	264	QU-SB4-1821	188, 222
QB2AL16DT	264	QU-SB4-1823	188, 222
QB2AL186S	264	QU-SB4-1825	188, 222
QB2AL186T	264	QU-SB4-1913	190, 224
QB2AL18AS	264	QU-SB4-1915	190, 224
QB2AL18AT	264	QU-SB4-1917	190, 224
QB2AL18AX	264	QU-SB4-1919	190, 224
QB2AL18DS	264	QU-SB4-1921	190, 224
QB2AL18DT	264	QU-SB4-1923	190, 224
QB2AL18DX	264	QU-SB4-1925	190, 224
QB2AL206S	264	QU-SB4-2013	190, 224
QB2AL206T	264	QU-SB4-2015	190, 224
QB2AL20AS	264	QU-SB4-2017	190, 224
QB2AL20AT	264	QU-SB4-2019	190, 224
		QU-SB4-2021	190, 224

QU-SB4-2023	190, 224	QU-TC4V-1613	178, 230
QU-SB4-2025	190, 224	QU-TC4V-1615	178, 230
QU-SB4-2113	190, 224	QU-TC4V-1617	178, 230
QU-SB4-2115	190, 224	QU-TC4V-1619	178, 230
QU-SB4-2117	190, 224	QU-TC4V-1621	178, 230
QU-SB4-2119	190, 224	QU-TC4V-1623	178, 230
QU-SB4-2121	190, 224	QU-TC4V-1625	178, 230
QU-SB4-2123	190, 224	QU-TC4V-1713	178, 230
QU-SB4-2125	190, 224	QU-TC4V-1715	178, 230
QU-SB4-2213	190, 224	QU-TC4V-1717	178, 230
QU-SB4-2215	190, 224	QU-TC4V-1719	178, 230
QU-SB4-2217	190, 224	QU-TC4V-1721	178, 230
QU-SB4-2219	190, 224	QU-TC4V-1723	178, 230
QU-SB4-2221	190, 224	QU-TC4V-1725	178, 230
QU-SB4-2223	190, 224	QU-TC4V-1813	178, 230
QU-SB4-2225	190, 224	QU-TC4V-1815	178, 230
QU-SB4-2413	192	QU-TC4V-1817	178, 230
QU-SB4-2415	192	QU-TC4V-1819	178, 230
QU-SB4-2417	192	QU-TC4V-1821	178, 230
QU-SB4-2419	192	QU-TC4V-1823	178, 230
QU-SB4-2421	192	QU-TC4V-1825	178, 230
QU-SB4-2423	192	QU-TC4V-1913	180, 232
QU-SB4-2425	192	QU-TC4V-1915	180, 232
QU-SB4-2613	192	QU-TC4V-1917	180, 232
QU-SB4-2615	192	QU-TC4V-1919	180, 232
QU-SB4-2617	192	QU-TC4V-1921	180, 232
QU-SB4-2619	192	QU-TC4V-1923	180, 232
QU-SB4-2621	192	QU-TC4V-1925	180, 232
QU-SB4-2623	192	QU-TC4V-2013	180, 232
QU-SB4-2625	192	QU-TC4V-2015	180, 232
QU-SB4-2813	192	QU-TC4V-2017	180, 232
QU-SB4-2815	192	QU-TC4V-2019	180, 232
QU-SB4-2817	192	QU-TC4V-2021	180, 232
QU-SB4-2819	192	QU-TC4V-2023	180, 232
QU-SB4-2821	192	QU-TC4V-2025	180, 232
QU-SB4-2823	192	QU-TC4V-2113	180, 232
QU-SB4-2825	192	QU-TC4V-2115	180, 232
QU-TC4V-1413	178, 230	QU-TC4V-2117	180, 232
QU-TC4V-1415	178, 230	QU-TC4V-2119	180, 232
QU-TC4V-1417	178, 230	QU-TC4V-2121	180, 232
QU-TC4V-1419	178, 230	QU-TC4V-2123	180, 232
QU-TC4V-1421	178, 230	QU-TC4V-2125	180, 232
QU-TC4V-1423	178, 230	QU-TC4V-2213	180, 232
QU-TC4V-1425	178, 230	QU-TC4V-2215	180, 232
QU-TC4V-1513	178, 230	QU-TC4V-2217	180, 232
QU-TC4V-1515	178, 230	QU-TC4V-2219	180, 232
QU-TC4V-1517	178, 230	QU-TC4V-2221	180, 232
QU-TC4V-1519	178, 230	QU-TC4V-2223	180, 232
QU-TC4V-1521	178, 230	QU-TC4V-2225	180, 232
QU-TC4V-1523	178, 230	QU-TC4V-2413	182
QU-TC4V-1525	178, 230	QU-TC4V-2415	182

QU-TC4V-2417	182	SB4-LBLK1821	194, 226
QU-TC4V-2419	182	SB4-LBLK1823	194, 226
QU-TC4V-2421	182	SB4-LBLK1825	194, 226
QU-TC4V-2423	182	SB4-LBLK1913	196, 228
QU-TC4V-2425	182	SB4-LBLK1915	196, 228
QU-TC4V-2613	182	SB4-LBLK1917	196, 228
QU-TC4V-2615	182	SB4-LBLK1919	196, 228
QU-TC4V-2617	182	SB4-LBLK1921	196, 228
QU-TC4V-2619	182	SB4-LBLK1923	196, 228
QU-TC4V-2621	182	SB4-LBLK1925	196, 228
QU-TC4V-2623	182	SB4-LBLK2013	196, 228
QU-TC4V-2625	182	SB4-LBLK2015	196, 228
QU-TC4V-2813	182	SB4-LBLK2017	196, 228
QU-TC4V-2815	182	SB4-LBLK2019	196, 228
QU-TC4V-2817	182	SB4-LBLK2021	196, 228
QU-TC4V-2819	182	SB4-LBLK2023	196, 228
QU-TC4V-2821	182	SB4-LBLK2025	196, 228
QU-TC4V-2823	182	SB4-LBLK2113	196, 228
QU-TC4V-2825	182	SB4-LBLK2115	196, 228
SB4-LBLK1413	194, 226	SB4-LBLK2117	196, 228
SB4-LBLK1415	194, 226	SB4-LBLK2119	196, 228
SB4-LBLK1417	194, 226	SB4-LBLK2121	196, 228
SB4-LBLK1419	194, 226	SB4-LBLK2123	196, 228
SB4-LBLK1421	194, 226	SB4-LBLK2125	196, 228
SB4-LBLK1423	194, 226	SB4-LBLK2213	196, 228
SB4-LBLK1425	194, 226	SB4-LBLK2215	196, 228
SB4-LBLK1513	194, 226	SB4-LBLK2217	196, 228
SB4-LBLK1515	194, 226	SB4-LBLK2219	196, 228
SB4-LBLK1517	194, 226	SB4-LBLK2221	196, 228
SB4-LBLK1519	194, 226	SB4-LBLK2223	196, 228
SB4-LBLK1521	194, 226	SB4-LBLK2225	196, 228
SB4-LBLK1523	194, 226	SCR8110003	56, 88
SB4-LBLK1525	194, 226	SCR8110007	100, 102, 104, 106, 108, 110, 112, 114, 116, 118, 120
SB4-LBLK1613	194, 226	SCR8120002	198, 200, 202, 204, 206
SB4-LBLK1615	194, 226	SCR8120015	100, 102, 104, 106, 108, 110, 112, 114, 116, 118, 120, 122, 124
SB4-LBLK1617	194, 226	SCR8120019	100, 102, 104, 106, 108, 110, 112, 114, 116, 118, 120, 122, 124, 126, 144, 146, 148
SB4-LBLK1619	194, 226	SCR8120022	116, 118, 120, 120, 122, 124, 124
SB4-LBLK1621	194, 226	SCRASBH1014	126
SB4-LBLK1623	194, 226	SCRASBH1096	270, 272, 274
SB4-LBLK1625	194, 226	SCRASBH1148	126, 274, 280
SB4-LBLK1713	194, 226	SCRASBH1157	274
SB4-LBLK1715	194, 226	SCRASBH1209	268, 280
SB4-LBLK1717	194, 226	SCRASBH1264	238, 240, 242, 248, 250, 252, 256
SB4-LBLK1719	194, 226	SCRHHCS1219	24
SB4-LBLK1721	194, 226	SCRHHCS1241	270
SB4-LBLK1723	194, 226	SCRHHCS1296	48
SB4-LBLK1725	194, 226	SCRHHCS1402	58, 90
SB4-LBLK1813	194, 226	SCRHHCS1412	6, 8, 14, 22, 24, 46, 72, 104, 106, 138, 140, 142, 272
SB4-LBLK1815	194, 226	SCRHHCS1585	270, 272
SB4-LBLK1817	194, 226	SCRHHCS1727	6, 22, 46, 270
SB4-LBLK1819	194, 226		



SCRPPH1036	60, 312, 314	SET124015	2
SCRPPH1163	292, 294	SET124538	198
SCRPPH1304	26, 30, 42, 86, 152, 298	SET124539	198
SCRPPTC1021	100, 102, 104, 106, 108, 110, 112, 114, 116, 118, 120, 122, 124, 132, 134, 136, 138, 140, 142, 144, 146, 148	SET124546	200
SCRSHCS1005	300	SET124547	200
SCRSHCS1340	34, 56, 56, 78, 88, 88	SET124548	200
SCRSHFH1023	62, 92	SET124549	200
SCRSHFH1047	126	SET124550	200
SCRSHFH1203	14, 36, 56, 72, 80, 88	SET124552	202
SET122294	210	SET124553	202
SET123465	210	SET124555	202
SET123622	162	SET124556	202
SET123623	162	SET124557	202
SET123631	162	SET124558	204
SET123633	162	SET124560	204
SET123635	162	SET124562	204
SET123637	162	SET124563	204
SET123639	162	SET124564	204
SET123641	162	SET124565	206
SET123651	162	SET124566	206
SET123653	162	SET124567	206
SET123655	162	SET124568	206
SET123665	12, 70	SET124569	206
SET123690	8, 24, 48	SET124576	162
SET123691	8, 24, 48	SET124578	162
SET123692	8, 24, 48	SET124597	162
SET123693	8	SET124599	162
SET123989	8	SET124601	162
SET123990	8	SET124602	162
SET123991	8	SET124603	162
SET123992	8	SET124605	162
SET123993	6, 46	SET124606	162
SET123994	6, 46	SET124607	162
SET123995	6, 46	SET124609	162
SET123996	6, 46	SET124610	162
SET123997	6, 46	SET124611	162
SET123998	2	SET124612	162
SET123999	2	SET124613	162
SET124000	2	SET124618	162
SET124001	2, 52	SET124619	162
SET124002	2	SET124623	162
SET124004	2	SET124624	162
SET124005	2	SET124625	162
SET124006	2	SET124626	162
SET124008	2	SET124627	162
SET124009	2	SET124628	164
SET124010	2	SET124629	164
SET124011	2	SET124630	164
SET124012	2	SET124631	164
SET124013	2	SET124633	164
		SET124634	164

SET124642	164	SET130298	158
SET124646	164	SET130299	160
SET124647	164	SET130300	160
SET124648	164	SET130301	160
SET130059	164	SET130302	160
SET130060	164	SET130303	160
SET130061	164	SET130304	160
SET130062	164	SET130305	160
SET130206	156	SET130306	160
SET130246	156	SET130308	160
SET130247	156	SET130309	160
SET130248	156	SET130310	160
SET130249	156	SET130311	160
SET130250	156	SET130312	160
SET130251	156	SET130314	160
SET130252	156	SET130315	160
SET130253	156	SET130316	160
SET130254	156	SET130317	160
SET130255	156	SET130318	160
SET130256	156	SET130319	160
SET130257	156	SET130320	160
SET130258	156	SET130321	160
SET130259	156	SET130322	160
SET130260	156	SET130324	160
SET130261	156	SET130325	160
SET130262	156	SET130326	160
SET130263	156	SET130327	160
SET130264	156	SET130328	160
SET130265	156	SET130329	160
SET130266	156	SET130330	160
SET130267	156	SET130331	160
SET130268	156	SET130332	160
SET130269	156	SET130333	160
SET130270	156	SET130335	160
SET130271	156	SET130336	160
SET130272	156	SET130341	160
SET130273	156	SET130931	4
SET130274	156	SET130932	4
SET130275	156	SET130933	4
SET130276	156	SET130934	4
SET130277	156	SET130935	4
SET130278	156	SET130937	4
SET130279	156	SET130938	4
SET130280	156	SET130939	4
SET130281	158	SET130940	4
SET130292	158	SET130941	4
SET130293	158	SET130943	4
SET130294	158	SET130944	4
SET130295	158	SET130945	4
SET130296	158	SET130946	4
SET130297	158	SET130947	4

SET130988	62, 92	SET1805291	28
SET130989	12, 70	SET1902540	238
SET131613	48	SET1902545	214
SET131614	48	SET1902546	214
SET131615	48	SET1902548	240
SET131920	126	SET1902549	216
SET131921	126	SET1902551	216
SET142535	12, 70	SET1902552	242
SET150325	264, 286, 288	SET1902553	218
SET150326	286, 288	SET1902554	218
SET155576	10	SET1902555	218
SET160203	18	SET1902556	218
SET160204	24	SET1902559	238
SET160205	18	SET1902560	214
SET160206	22	SET1902567	214
SET160207	18	SET1902568	240
SET160208	22	SET1902570	216
SET160209	18	SET1902571	216
SET160210	18	SET1902573	242
SET160211	18	SET1902574	218
SET160212	22	SET1902575	218
SET160216	18	SET1902576	218
SET160219	24	SET1902577	218
SET160220	24	SET1902579	238
SET160221	18	SET1902580	214
SET160223	22	SET1902587	214
SET160224	18	SET1902599	240
SET160230	18	SET1902600	216
SET160231	22	SET1902601	216
SET160406	18	SET1902602	242
SET160407	18	SET1902603	218
SET160461	28	SET1902604	218
SET167884	260, 262, 286, 288	SET1902605	218
SET1710459	20	SET1902606	218
SET1710462	20	SET1902608	238
SET1710463	20	SET1902609	214
SET1710466	20	SET1902610	214
SET1711139	14, 72	SET1902611	240
SET1805277	10	SET1902613	216
SET1805278	10	SET1902614	216
SET1805279	10	SET1902615	242
SET1805280	10	SET1902616	218
SET1805281	10	SET1902617	218
SET1805282	10	SET1902618	218
SET1805283	10	SET1902619	218
SET1805285	28	SET1902621	238
SET1805286	28	SET1902622	214
SET1805287	28	SET1902623	214
SET1805288	28	SET1902624	240
SET1805289	28	SET1902625	216
SET1805290	28	SET1902626	216

SET1902627	242	SET1908897	216
SET1902628	218	SET1908898	216
SET1902629	218	SET1908899	216
SET1902630	218	SET1908900	216
SET1902631	218	SET1908901	218
SET1902633	238	SET1908902	218
SET1902634	214	SET1908903	218
SET1902635	214	SET1908904	218
SET1902636	240	SET1908905	218
SET1902637	216	SETHEAD1052	286
SET1902638	216	SETHEAD1053	286
SET1902639	242	SETHEAD1057	286
SET1902640	218	SETHEAD1069	286
SET1902641	218	SETHEAD1070	286
SET1902643	218	SETHEAD1071	286
SET1902644	218	ST-900-Q	286
SET1902645	218	ST-920-Q	286
SET1902858	218	ST-ARM250C-Q	308
SET1902859	218	ST-ARM250T-Q	308
SET1902866	218	ST-CP06CCFPM-Q	288
SET1906759	16, 74	ST-CP08CCFPM-Q	288
SET1907172	214	ST-CP10CCFPM-Q	288
SET1907173	216	ST-CP14CCFPM-Q	288
SET1907174	216	ST-F8675-13-Q	286
SET1907175	218	ST-IFRB5350	304
SET1907176	218	ST-SSAPT4-Q	130
SET1907181	214	ST-SUS18-Q	286
SET1908873	214	ST-TWBLT-QL-L	262, 264
SET1908874	214	ST-TWBLT-QL-R	262, 264
SET1908875	214	ST-UHB2D33200-Q	288
SET1908876	214	ST-ULS4042000-Q	302
SET1908877	214	TC4-NBLK1413	184, 234
SET1908878	214	TC4-NBLK1415	184, 234
SET1908879	214	TC4-NBLK1417	184, 234
SET1908880	216	TC4-NBLK1419	184, 234
SET1908881	216	TC4-NBLK1421	184, 234
SET1908882	216	TC4-NBLK1423	184, 234
SET1908883	216	TC4-NBLK1425	184, 234
SET1908884	216	TC4-NBLK1513	184, 234
SET1908885	216	TC4-NBLK1515	184, 234
SET1908886	216	TC4-NBLK1517	184, 234
SET1908887	216	TC4-NBLK1519	184, 234
SET1908888	216	TC4-NBLK1521	184, 234
SET1908889	216	TC4-NBLK1523	184, 234
SET1908890	216	TC4-NBLK1525	184, 234
SET1908891	216	TC4-NBLK1613	184, 234
SET1908892	216	TC4-NBLK1615	184, 234
SET1908893	216	TC4-NBLK1617	184, 234
SET1908894	216	TC4-NBLK1619	184, 234
SET1908895	216	TC4-NBLK1621	184, 234
SET1908896	216	TC4-NBLK1623	184, 234

TC4-NBLK1625	184, 234	122, 124, 132, 134, 136, 138, 140, 142, 144, 146, 148
TC4-NBLK1713	184, 234	WASMETR1136
TC4-NBLK1715	184, 234	14, 72
TC4-NBLK1717	184, 234	WASSTND1097
TC4-NBLK1719	184, 234	2, 22, 22, 198, 200, 202, 204, 206
TC4-NBLK1721	184, 234	
TC4-NBLK1723	184, 234	
TC4-NBLK1725	184, 234	
TC4-NBLK1813	184, 234	
TC4-NBLK1815	184, 234	
TC4-NBLK1817	184, 234	
TC4-NBLK1819	184, 234	
TC4-NBLK1821	184, 234	
TC4-NBLK1823	184, 234	
TC4-NBLK1825	184, 234	
TC4-NBLK1913	186, 236	
TC4-NBLK1915	186, 236	
TC4-NBLK1917	186, 236	
TC4-NBLK1919	186, 236	
TC4-NBLK1921	186, 236	
TC4-NBLK1923	186, 236	
TC4-NBLK1925	186, 236	
TC4-NBLK2013	186, 236	
TC4-NBLK2015	186, 236	
TC4-NBLK2017	186, 236	
TC4-NBLK2019	186, 236	
TC4-NBLK2021	186, 236	
TC4-NBLK2023	186, 236	
TC4-NBLK2025	186, 236	
TC4-NBLK2113	186, 236	
TC4-NBLK2115	186, 236	
TC4-NBLK2117	186, 236	
TC4-NBLK2119	186, 236	
TC4-NBLK2121	186, 236	
TC4-NBLK2123	186, 236	
TC4-NBLK2125	186, 236	
TC4-NBLK2213	186, 236	
TC4-NBLK2215	186, 236	
TC4-NBLK2217	186, 236	
TC4-NBLK2219	186, 236	
TC4-NBLK2221	186, 236	
TC4-NBLK2223	186, 236	
TC4-NBLK2225	186, 236	
VELDBLS1001	100, 102, 104, 106, 108, 110, 112, 114, 116, 118, 120, 122, 124	
VELSGAD1008	312, 314	
WASLOCK1094	56, 58, 88, 90	
WASMETR1010	6, 8, 24, 46, 48	
WASMETR1031	12, 16, 30, 32, 34, 38, 42, 56, 56, 58, 70, 74, 76, 78, 82, 86, 88, 88, 90	
WASMETR1083	100, 102, 104, 106, 108, 110, 112, 114, 116, 118, 120,	

# Illustrated Parts Breakdown

## **USA - Quantum Rehab**

401 York Avenue  
Duryea, Pa 18642  
[www.quantumrehab.com](http://www.quantumrehab.com)

## **USA - Pride Mobility Products Corp.**

182 Susquehanna Avenue  
Exeter, Pa 18643  
[www.pridemobility.com](http://www.pridemobility.com)

## **Canada**

5096 South Service Road  
Beamsville, Ontario L0R 1B3  
[www.pridemobility.ca](http://www.pridemobility.ca)  
[www.quantumrehab.com](http://www.quantumrehab.com)

## **Australia**

20-24 Apollo Drive  
Hallam, Victoria 3803  
[www.pridemobility.com.au](http://www.pridemobility.com.au)  
[www.quantumrehab.com.au](http://www.quantumrehab.com.au)

## **New Zealand**

38 Lansford Crescent  
Avondale, Auckland 0600  
[www.pridemobility.co.nz](http://www.pridemobility.co.nz)

## **UK**

32 Wedgwood Road  
Bicester, Oxfordshire OX26 4UL  
[www.pride-mobility.co.uk](http://www.pride-mobility.co.uk)  
[www.quantumrehab.co.uk](http://www.quantumrehab.co.uk)

## **Netherlands**

**(Authorised EU Representative)**

De Zwaan 3  
1601 MS Enkhuizen  
[www.pridemobility.eu](http://www.pridemobility.eu)  
[www.quantumrehab.eu](http://www.quantumrehab.eu)

## **Italy**

Via del Progresso, ang. Via del Lavoro  
Loc. Prato della Corte  
00065 Fiano Romano (RM)  
[www.pride-italia.it](http://www.pride-italia.it)  
[www.quantumrehab-italia.it](http://www.quantumrehab-italia.it)

## **France**

26 Rue Monseigneur Ancel  
69800 Saint-Priest  
[www.pridemobility.fr](http://www.pridemobility.fr)  
[www.quantumrehab.fr](http://www.quantumrehab.fr)

## **Spain**

Calle Las Minas Número 67  
Polígono Industrial Urtinsa II, de Alcorcón  
28923 Madrid

## **Germany**

Hövelrieger Str. 28  
33161 Hövelhof  
[www.pridemobility.de](http://www.pridemobility.de)

## **China**

Room 508, Building #4  
TianNa Business Zone  
No. 500 Jianyun Road  
Pudong New Area  
Shanghai 201318

