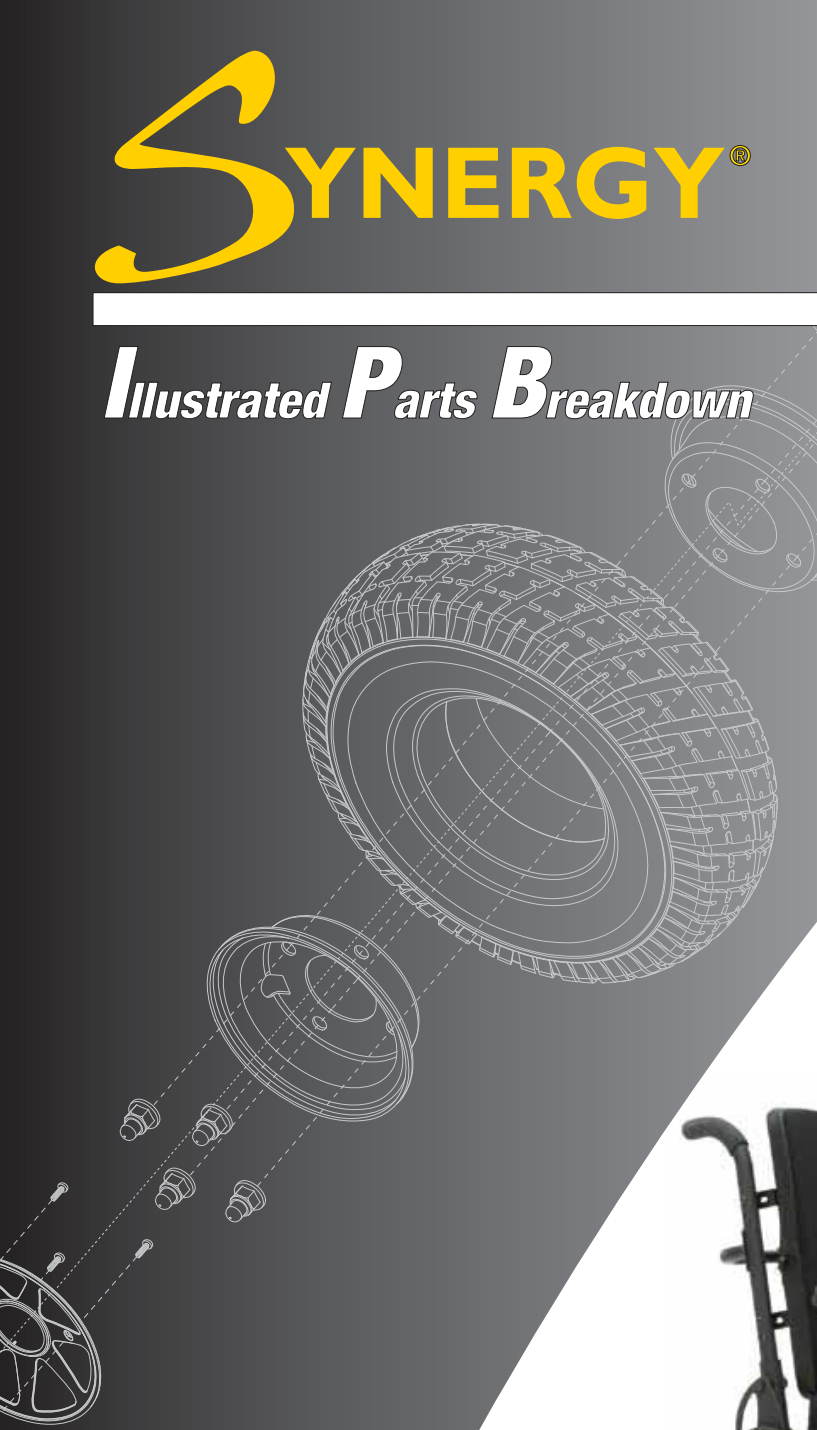


SYNERGY®

US

AGM# 088 609 661

Illustrated *P*arts *B*reakdown



QUANTUM®



Your new Pride® Illustrated Parts Breakdown (IPB) Manual has been compiled from the latest product information available at the time of publication. Pride® Mobility Products Corporation reserves the right to make changes and updates to this manual and to the product(s) it represents. Any changes, updates, or improvements to the product(s) may result in slight differences between this manual and the product you purchased.

An IPB is an illustrated parts listing of all product components which have maintenance significance. IPB's utilize "exploded" drawings to detail the individual components for each assembly and an itemized list of reference numbers, part numbers, descriptions, and quantities per assembly. Some parts may be included in an assembly but may not be available for purchase separately. Refer to the parts list to locate the part numbers for assemblies and components for ordering what you need.

To achieve proper identification and relationship of detail parts and next higher assemblies, parts listings are presented in a convenient alphanumeric reference system. Reference numbers for parent assemblies identify one part number that can be used to order all of the components listed within it. Components of an assembly will have the same alpha character as its parent assembly.

- For example, the parent assembly part number using reference number of A1 — A4 is the only number you need to place an order for parts with references of A1, A2, A3, and A4. Instead of ordering 4 separate parts, use the parent assembly part number to get the complete assembly.

Master assembly part numbers have reference numbers that include several subassemblies. By ordering parts using master assembly part numbers, you can save a lot of time and reduce the chance for error.

- For example, A1 — G10, a master assembly reference number, includes all components of assemblies A, B, C, D, E, F, and G. Use caution when ordering assemblies. Check to see if a master assembly part number exists for the components that you need. If an entire master assembly is not needed, then the individual assembly part number (i.e. for reference number G1 — G10) will be sufficient to use for ordering.

Asterisks (*) and NOTES are used throughout this service manual to point out important information regarding assembly structure and contents.

- For example, in some illustrations, only the left OR right side is shown. In other drawings, only the front OR back is depicted. The part numbers for ALL components are listed. An asterisk will also be used to indicate which components are not illustrated. Illustrated Items without callouts are shown for assembly purposes.

Updates to the contents of this IPB will be made on a regular basis. Providers may retrieve updates immediately upon their release by going to the Pride Service Website. The web address is www.prideprovider.com We welcome any questions or comments regarding the new Pride IPB Manual that you may have.

Please note that all pricing that is included with this manual is subject to change without any prior notice from Pride®.

Thank you for choosing products from Pride® Mobility Products Corporation.



(This page is intentionally left blank.)



SECTION I.

Side Rail Assembly

10"-14" Depth.....	8
14"-18" Depth.....	9
15"-20" Depth.....	10
20"-24" Depth.....	11
HD Synergy Seat, 24"-28" Depth.....	12
Power/Manual Recline, 15"-20" Depth.....	13
Power/Manual Recline, 20"-24" Depth.....	14

SECTION II.

Stem Mount Assembly

16.125" Centers

Version 1, 10"-14" Width	15
Version 1, 14"-20" Width	16
Version 1, 20"-24" Width	17
Version 2, 10"-14" Width	18
Version 2, 14"-20" Width	19
Version 2, 20"-24" Width	20
Extended, 10"-14" Width.....	21
Extended, 14"-20" Width.....	22
Extended, 20"-24" Width.....	23

14" Centers

10"-24" Width (Standard Tower Hardware)	24
10"-24" Width (Metric Tower Hardware).....	26
Q1450, 20"-32" Width	28
20"-28" Width, Synergy HD (Metric Tower Hardware)	29

14.322" Centers

10"-14" Width	30
14"-20" Width.....	31

13.625" Centers

10"-14" Width	32
14"-20" Width.....	33

J/Q 1650, HD Synergy Seat

20"-24" Width.....	34
24"-26" Width	35
26"-28" Width.....	36
28"-30" Width	38
30"-32" Width.....	40

Vibe

10"-14" Width	42
14"-20" Width.....	44

5.039" Centers

2.625" Height, 10"-14" Width	46
3.375" Height, 10"-14" Width.....	47
2.625" Height, 14"-20" Width	48
3.375" Height, 14"-20" Width.....	49

12.795" Centers

Version 1, 10"-14" Width	50
Version 1, 14"-20" Width	51
Version 2, 10"-14" Width	52
Version 2, 14"-20" Width	53
Extended, 10"-14" Width.....	54
Extended, 14"-20" Width.....	55

Q600XL, 20"-24" Width.....	56
----------------------------	----



SECTION III.

Quick Release Side Rail Assembly

- 10"-14" Depth58
- 14"-18" Depth60
- 15"-20" Depth62

SECTION IV.

Quick Release Stem Mount Assembly

- 16.125" Centers, 10"-14" Width64
- 16.125" Centers, 14"-20" Width65
- 14.322" Centers, 10"-14" Width66
- 14.322" Centers, 14"-20" Width67
- 13.625" Centers, 10"-14" Width68
- 13.625" Centers, 14"-20" Width69
- 5.039" Centers, 2.625" Height, 10"-14" Width70
- 5.039" Centers, 2.625" Height, 14"-20" Width71
- 5.039" Centers, 3.375" Height, 10"-14" Width72
- 5.039" Centers, 3.375" Height, 14"-20" Width73
- 12.795" Centers, 10"-14" Width74
- 12.795" Centers, 14"-20" Width75

SECTION V.

Seat Mount Connector76

SECTION VI.

Clover Leaf Seat Base Assembly

- 14"-18" Width77
- 16"-20" Width78

SECTION VII.

Friction Lock Seat Base Assembly

- 10"-14" Width80
- 14"-18" Width82
- 18"-24" Width84

SECTION VIII.

Seat Pan Assembly

- Standard86
- HD Synergy Seat87

SECTION IX.

Back Cane Assembly

- Version 188
- Version 2, Angle Adjustable Bracket90
- Version 2, Flip Forward Bracket91
- Version 2, Mesomorph Bracket, 1" Out92
- Version 2, Mesomorph Bracket, 2" Out93
- Version 2, Endomorph Bracket, 1" In94
- Version 2, Endomorph Bracket, 2" In95
- Version 2, Extrusion with Short Push Handle96
- Version 2, Extrusion without Handle97

SECTION X.

Manual Recline Assembly98



SECTION XI.

Manual Tilt Assembly

Lower

13.625" and 14.322 Centers.....	100
14" Centers.....	102
16.125" Centers.....	104
Q600.....	106
Q6000.....	108
5.039" Centers.....	110
Q1107.....	111

Upper

10"-12" Width.....	112
12"-14" Width.....	114
14"-16" Width.....	116
16"-18" Width.....	118

Cable Assembly.....	120
---------------------	-----

SECTION XII.

Manual Recline/Tilt Inhibit

Pilot	121
Europa.....	122
Q-Logic/Remote plus/VSI.....	123

SECTION XIII.

Headrest Assembly

TRU-Comfort, 8" Medium	124
TRU-Comfort, 10" Large.....	126
Prior to TRU-Comfort	128

SECTION XIV.

Seat Cushion

Standard Back

10"-13" Width.....	129
14" Width	130
15" Width	132
16" Width	133
17" Width	134
18" Width	135
19" Width	136
20" Width	137
21" Width	138
22" Width	139
23" Width	140
24" Width	141
25" Width	142
26" Width	143
27" Width	144
28" Width	145
29" Width	146
30" Width	147
31" Width	148
32" Width	149
Lateral Extensions.....	150



SECTION XIV. (continued)

Seat Cushion

A.R.T. Group Solid Curved Back

10"-15" Width..... 152
 16"-18" Width..... 154
 19"-21" Width..... 156
 22"-24" Width..... 158
 25"-26" Width..... 160
 27"-28" Width..... 162
 29"-30" Width..... 164
 31"-32" Width..... 166

Sling Back 168

Sling Back, Heavy Duty 170

Solid Back Plate with Cushion

10"-13" Width..... 172
 14" Width 173
 15" Width 174
 16" Width 175
 17" Width 176
 18" Width 177
 19" Width 178
 20" Width 179
 21" Width 180
 22" Width 181
 23" Width 182
 24" Width 183

SECTION XV.

Push Bar

Pediatric 184
 HD 185
 Cane Mounted..... 186
 T-Slot Mounted 187
 Solid Back Plate Mounted 188

SECTION XVI.

Rigidizing Bars..... 190

SECTION XVII.

Legrest Hangers 192

SECTION XVIII.

Power Articulating Legrest Electronics through ALM..... 194

SECTION XIX.

Lap Belt Assembly

Standard..... 196
 Transit System..... 198

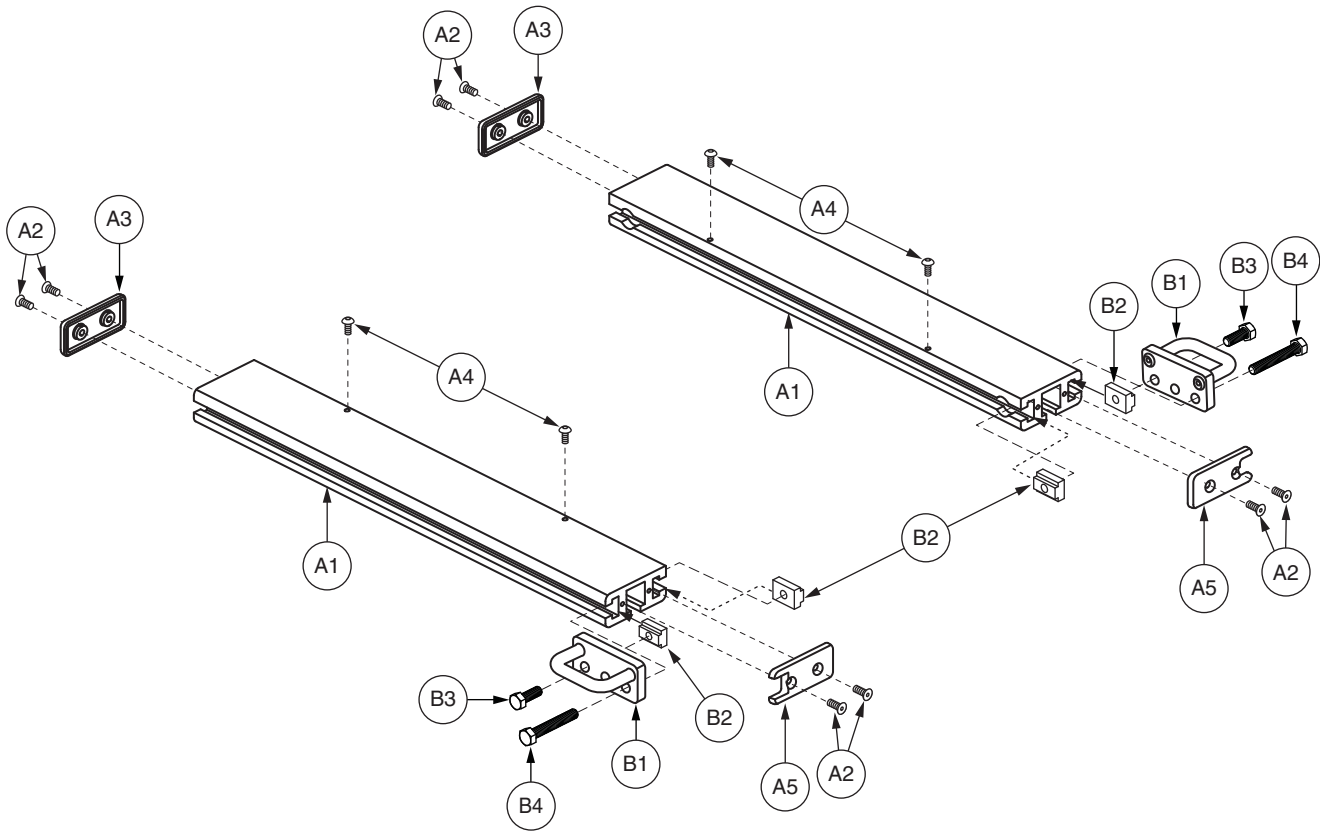
SECTION XX.

Oxygen Tank Holder and Mounting Bracket 199

SECTION XXI.

Owner's Package 200

I. Side Rail Assembly — 10"-14" Depth



REF #	PART #	DESCRIPTION	QTY	Dealer \$	11i MSRP
A1 - A5	FRMASMB6981	SEAT FRAME,ASSY,SIDE RAIL,10"D-14"D,SYNERGY SEAT,PAIR	1	\$91.51	\$233.34
*A1 - A5	FRMASMB6817	SEAT FRAME,ASSY,SIDE RAIL,10"D-14"D,SYNERGY SEAT,LEFT	1	\$45.2	\$115.27
*A1 - A5	FRMASMB6818	SEAT FRAME,ASSY,SIDE RAIL,10"D-14"D,SYNERGY SEAT,RIGHT	1	\$45.2	\$115.27
A1	DWR1360E009B	SEAT FRAME,SIDE RAIL,10"D-14"D,SYNERGY SEAT,TEXTURED	1	\$27.56	\$70.28
A2	SCRSHFH1036	SCREW,SHFH,BLACK ZINC,8-32 X 0.50",GRADE 8,W/NYLON PATCH	4	\$1.12	\$2.86
A3	DWR1360B007	EXTRUSION END CAP,SYNERGY SEAT,REAR,B-1360-007	1	\$1.24	\$3.16
A4	SCRASBH1094	SCREW,BHSCS,BLACK ZINC,10-32 X 0.4375",GR 8,W/PATCH	2	\$1.16	\$2.95
A5	DWR1360B048	EXTRUSION END CAP,SYNERGY SEAT,T-SLOT OPEN END	1	\$1.16	\$2.95
*B1	DWR1600B122B	SEAT FRAME,SECUREMENT BRACKET WELDMENT	1	\$17.89	\$45.62
B2	DWR1360A004	T-NUT,5/16-18 X 0.875",A-1360-004	2	\$2.37	\$6.03
B3	SCRHHCS1241	SCREW,HHCS,BLACK ZINC,5/16-18 X 0.75",GR 8,W/PATCH	1	\$1.12	\$2.86
B4	SCRHHCS1478	SCREW, HHCS,BLACK ZINC,5/16-18 X 2.00",GR 8,W/PATCH	1	\$1.12	\$2.86

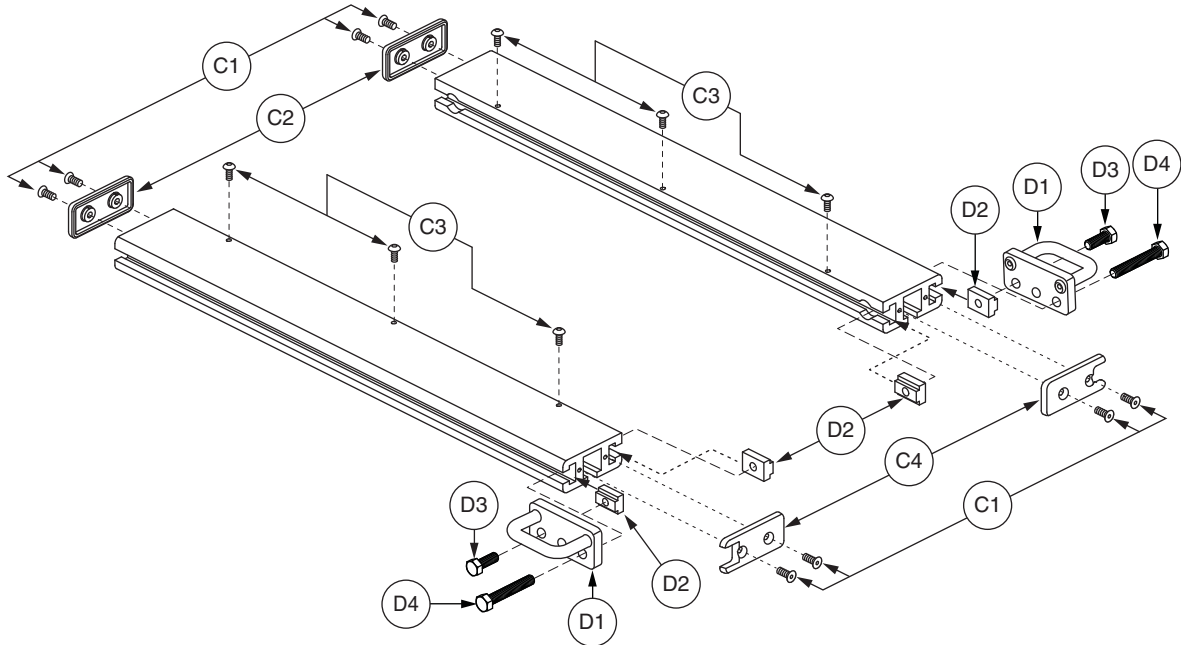
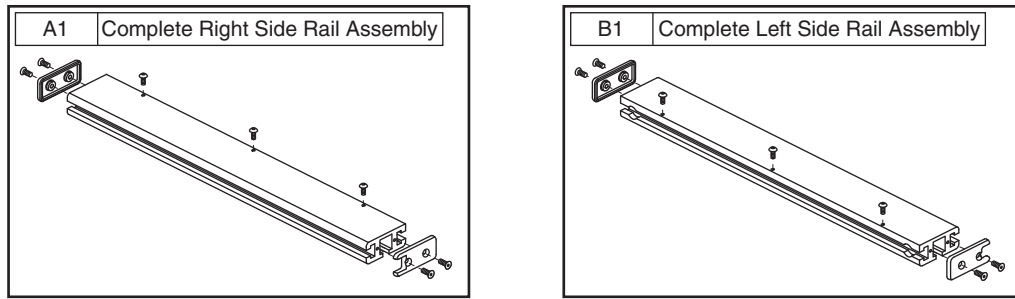
Notes :

- *A1 - A5 Both assemblies contain identical parts. There are left and right sides for assembly purposes.
- *B1 Securement brackets are only to be utilized when the Seating System is unoccupied.

I. Side Rail Assembly — 14”-18” Depth

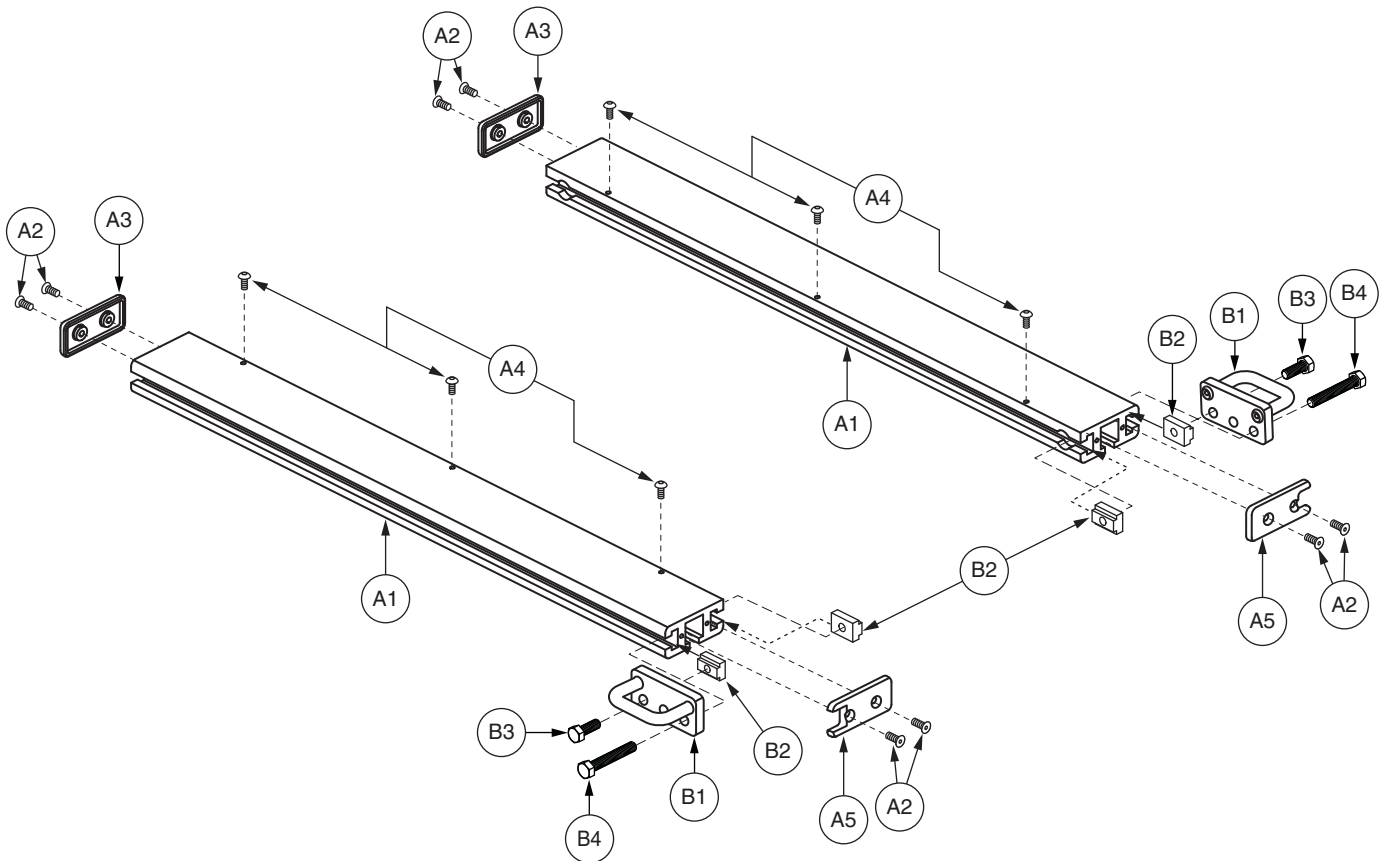


***Top-level assemblies include the side rails and hardware.
Side rails cannot be ordered individually.***



REF #	PART #	DESCRIPTION	QTY	Dealer \$	MSRP	11i
PAIR	FRMASMB6982	SEAT FRAME,ASSY,SIDE RAIL,14"D-18"D,SYNERGY SEAT,PAIR	1	\$109.81	\$280.02	
A1	FRMASMB6819	SEAT FRAME,ASSY,SIDE RAIL,14"D-18"D,SYNERGY SEAT,LEFT	1	\$51.82	\$132.13	
B1	FRMASMB6820	SEAT FRAME,ASSY,SIDE RAIL,14"D-18"D,SYNERGY SEAT,RIGHT	1	\$51.82	\$132.13	
C1	SCRSHFH1036	SCREW,SHFH,BLACK ZINC,8-32 X 0.50",GRADE 8,W/NYLON PATCH	4	\$1.12	\$2.86	
C2	DWR1360B007	EXTRUSION END CAP,SYNERGY SEAT,REAR,B-1360-007	1	\$1.24	\$3.16	
C3	SCRASBH1094	SCREW,BHSCS,BLACK ZINC,10-32 X 0.4375",GR 8,W/PATCH	3	\$1.16	\$2.95	
C4	DWR1360B048	EXTRUSION END CAP,SYNERGY SEAT,T-SLOT OPEN END	1	\$1.16	\$2.95	
D1	DWR1600B122B	SEAT FRAME,SECUREMENT BRACKET WELDMENT	1	\$17.89	\$45.62	
D2	DWR1360A004	T-NUT,5/16-18 X 0.875",A-1360-004	2	\$2.37	\$6.03	
D3	SCRHHCS1241	SCREW,HHCS,BLACK ZINC,5/16-18 X 0.75",GR 8,W/PATCH	1	\$1.12	\$2.86	
D4	SCRHHCS1478	SCREW, HHCS,BLACK ZINC,5/16-18 X 2.00",FULLY THREADED,GR 8,W/PATCH	1	\$1.12	\$2.86	

I. Side Rail Assembly — 15"-20" Depth

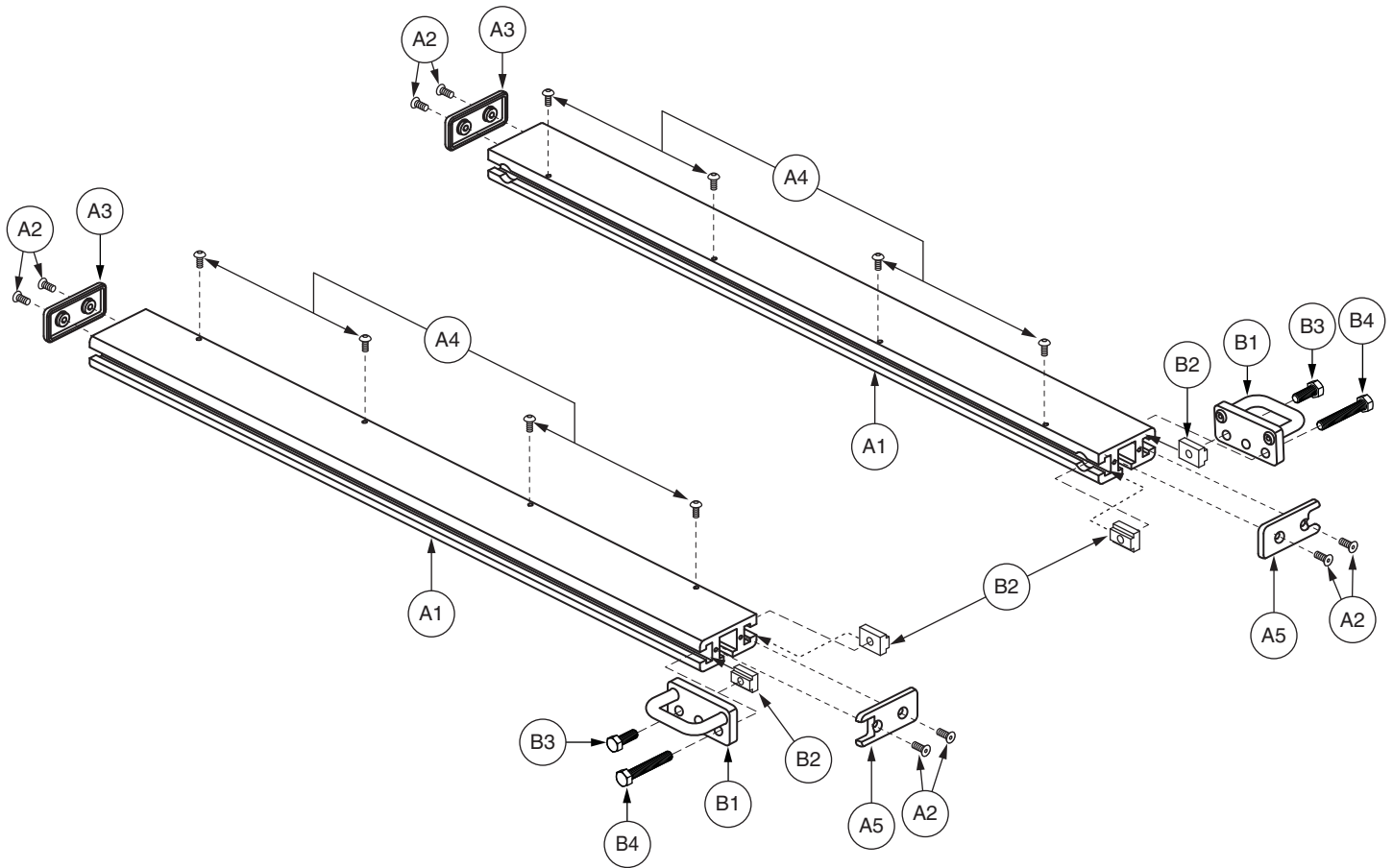


REF #	PART #	DESCRIPTION	QTY	Dealer \$	11i MSRP
A1 - A5	FRMASMB6983	SIDE RAIL, ASSY, 15"D-20"D, SYNERGY SEAT, PAIR, TEXTURED	1	N/A	N/A
*A1 - A5	FRMASMB6821	SEAT FRAME, ASSY, SIDE RAIL, 15"D-20"D, SYNERGY SEAT, LEFT	1	\$63.95	\$163.06
*A1 - A5	FRMASMB6822	SEAT FRAME, ASSY, SIDE RAIL, 15"D-20"D, SYNERGY SEAT, RIGHT	1	\$63.95	\$163.06
A1	DWR1360E005B	SEAT FRAME, SIDE RAIL, 15"D-20"D, SYNERGY SEAT	1	N/A	N/A
A2	SCRSHFH1036	SCREW, SHFH, BLACK ZINC, 8-32 X 0.50", GR 8, W/PATCH	4	\$1.12	\$2.86
A3	DWR1360B007	EXTRUSION END CAP, SYNERGY SEAT, REAR, B-1360-007	1	\$1.24	\$3.16
A4	SCRASBH1094	SCREW, BHSCS, BLACK ZINC, 10-32 X 0.4375", GR 8, W/PATCH	3	\$1.16	\$2.95
A5	DWR1360B048	EXTRUSION END CAP, SYNERGY SEAT, T-SLOT OPEN END	1	\$1.16	\$2.95
*B1	DWR1600B122B	SEAT FRAME, SECUREMENT BRACKET WELDMENT	1	\$17.89	\$45.62
B2	DWR1360A004	T-NUT, 5/16-18 X 0.875", A-1360-004	2	\$2.37	\$6.03
B3	SCRHHCS1241	SCREW, HHCS, BLACK ZINC, 5/16-18 X 0.75", GR 8, W/PATCH	1	\$1.12	\$2.86
B4	SCRHHCS1478	SCREW, HHCS, BLACK ZINC, 5/16-18 X 2.00", GR 8, W/PATCH	1	\$1.12	\$2.86

Notes :

- *A1 - A5 Both assemblies contain identical parts. There are left and right sides for assembly purposes.
- *B1 Securement brackets are only to be utilized when the Seating System is unoccupied.

I. Side Rail Assembly — 20"-24" Depth



REF #	PART #	DESCRIPTION	QTY	Dealer \$	11i MSRP
A1 - A5	FRMASMB6984	SIDE RAIL, ASSY, 20"D-24"D, SYNERGY SEAT, PAIR, TEXTURED	1	N/A	N/A
*A1 - A5	FRMASMB6823	SEAT FRAME, ASSY, SIDE RAIL, 20"D-24"D, SYNERGY SEAT, LEFT	1	\$63.79	\$162.66
*A1 - A5	FRMASMB6824	SEAT FRAME, ASSY, SIDE RAIL, 20"D-24"D, SYNERGY SEAT, RIGHT	1	\$63.79	\$162.66
A1	DWR1360E010B	SEAT FRAME, SIDE RAIL, 20"D-24"D, SYNERGY SEAT	1	N/A	N/A
A2	SCRSHFH1036	SCREW, SHFH, BLACK ZINC, 8-32 X 0.50", GR 8, W/PATCH	4	\$1.12	\$2.86
A3	DWR1360B007	EXTRUSION END CAP, SYNERGY SEAT, REAR, B-1360-007	1	\$1.24	\$3.16
A4	SCRASBH1094	SCREW, BHSCS, BLACK ZINC, 10-32 X 0.4375", GR 8, W/PATCH	4	\$1.16	\$2.95
A5	DWR1360B048	EXTRUSION END CAP, SYNERGY SEAT, T-SLOT OPEN END	1	\$1.16	\$2.95
*B1	DWR1600B122B	SEAT FRAME, SECUREMENT BRACKET WELDMENT	1	\$17.89	\$45.62
B2	DWR1360A004	T-NUT, 5/16-18 X 0.875", A-1360-004	2	\$2.37	\$6.03
B3	SCRHHCS1241	SCREW, HHCS, BLACK ZINC, 5/16-18 X 0.75", GR 8, W/PATCH	1	\$1.12	\$2.86
B4	SCRHHCS1478	SCREW, HHCS, BLACK ZINC, 5/16-18 X 2.00", GR 8, W/PATCH	1	\$1.12	\$2.86

Notes :

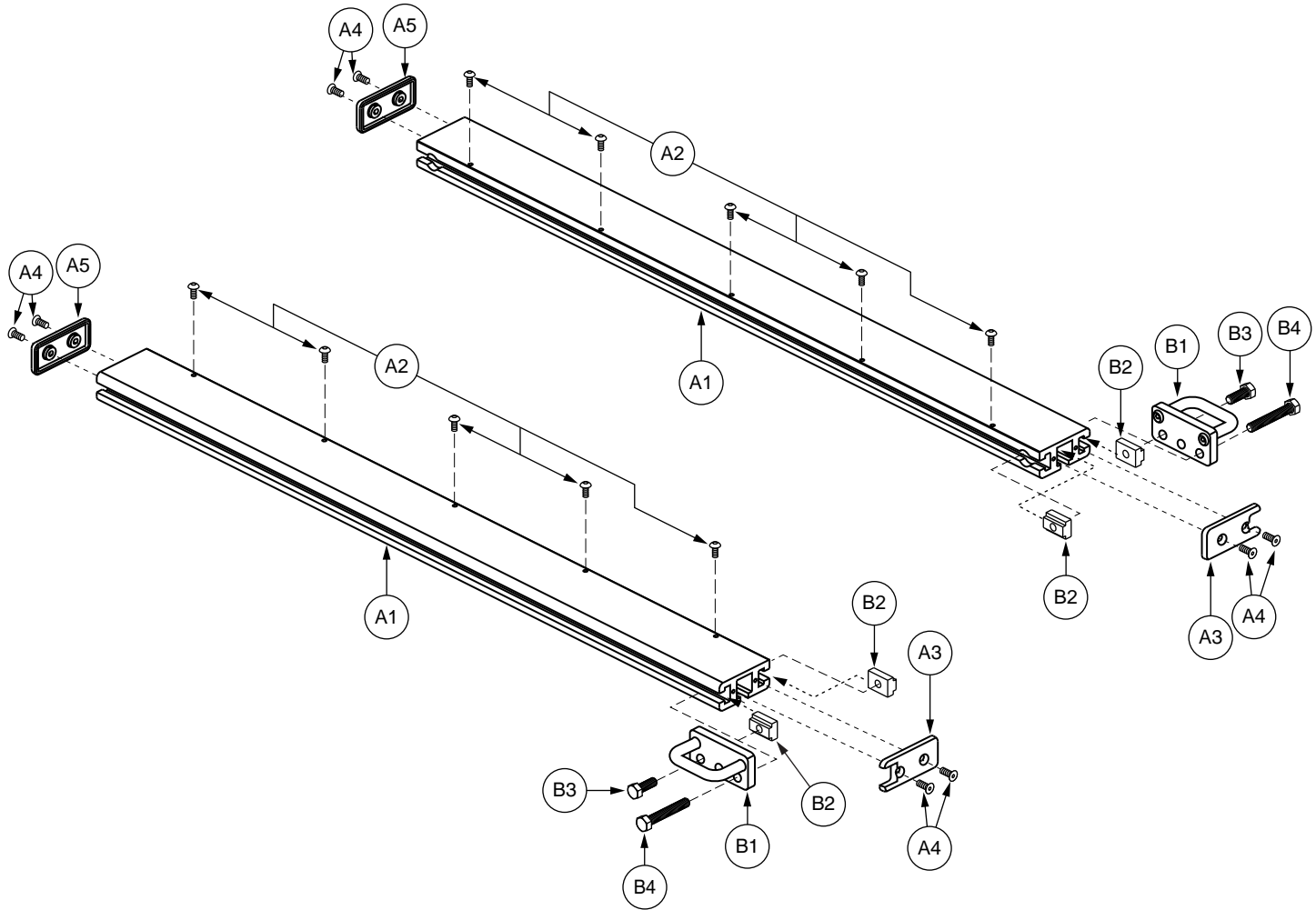
*A1 - A5

Both assemblies contain identical parts. There are left and right sides for assembly purposes.

*B1

Securement brackets are only to be utilized when the Seating System is unoccupied.

I. Side Rail Assembly — HD Synergy Seat, 24”-28” Depth



REF #	PART #	DESCRIPTION	QTY	Dealer \$	11i MSRP
A1 - A5	FRMASMB6605	SIDE RAIL,ASSY,24"D-28"D,SYNERGY SEAT HD,PAIR	1	\$152.81	\$389.66
*A1 - A5	FRMASMB6518	SIDE RAIL,ASSY,24"W-28"W,SYNERGY SEAT HD,LEFT,E-1360-128	1	\$72.77	\$185.55
*A1 - A5	FRMASMB6519	SIDE RAIL,ASSY,24"D-28"D,SYNERGY SEAT HD,RIGHT,E-1360-129	1	\$72.77	\$185.55
A1	DWR1360E127	SIDE RAIL,24"D-28"D,SYNERGY SEAT HD,E-1360-127	1	\$70.56	\$179.93
A2	SCRASBH1094	SCREW,BHSCS,BLACK ZINC,10-32 X 0.4375",GR 8,W/PATCH	5	\$1.16	\$2.95
A3	DWR1360B048	EXTRUSION END CAP,SYNERGY SEAT,T-SLOT OPEN END	1	\$1.16	\$2.95
A4	SCRSHFH1036	SCREW,SHFH,BLACK ZINC,8-32 X 0.50",GR 8,W/PATCH	4	\$1.12	\$2.86
A5	DWR1360B007	EXTRUSION END CAP,SYNERGY SEAT,REAR,B-1360-007	1	\$1.24	\$3.16
*B1	DWR1600B122B	SEAT FRAME,SECUREMENT BRACKET WELDMENT,TEXTURED	1	\$17.89	\$45.62
B2	DWR1360A004	T-NUT,5/16-18 X 0.875",A-1360-004	2	\$2.37	\$6.03
B3	SCRHHCS1241	SCREW,HHCS,BLACK ZINC,5/16-18 X 0.75",GR 8,W/PATCH	1	\$1.12	\$2.86
B4	SCRHHCS1478	SCREW,HHCS,BLACK ZINC,5/16-18 X 2.00",GR 8,W/PATCH	1	\$1.12	\$2.86

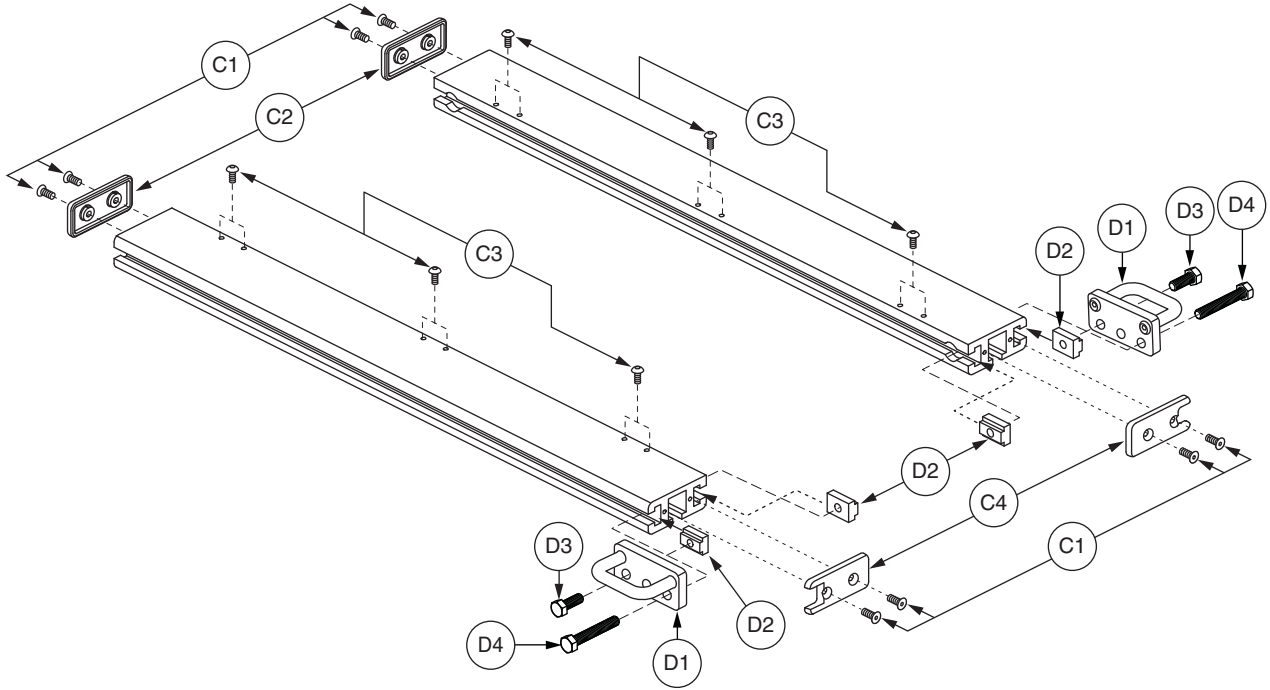
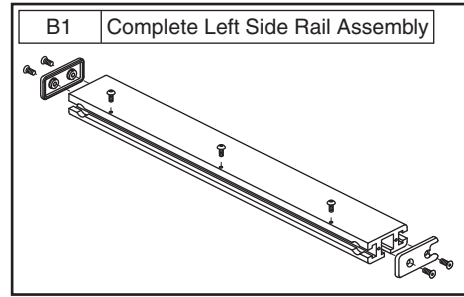
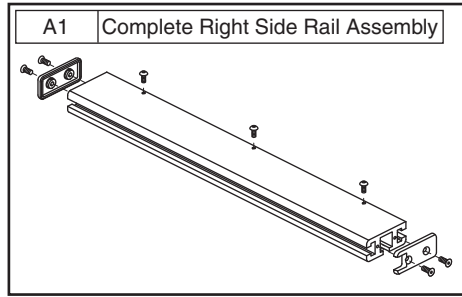
Notes :

- *A1 - A5 Both assemblies contain identical parts. There are left and right sides for assembly purposes.
- *B1 Securement brackets are only to be utilized when the Seating System is unoccupied.

I. Side Rail Assembly — Power/Manual Recline, 15”-20” Depth

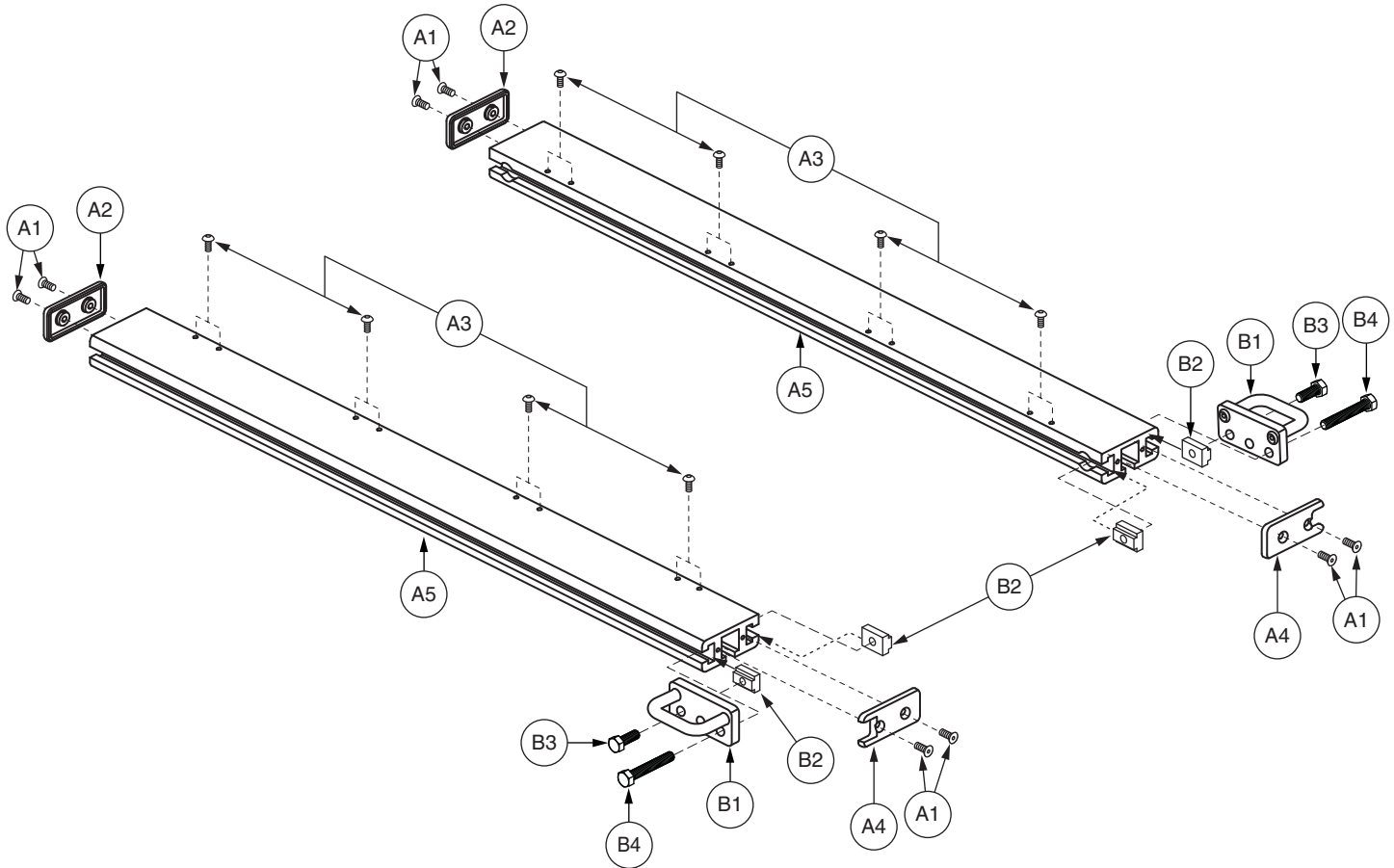
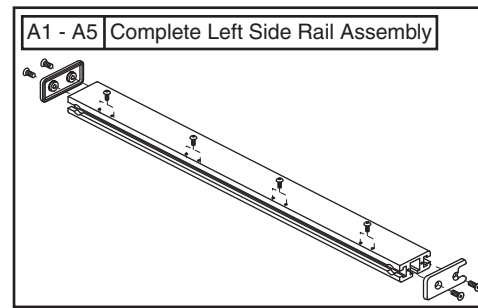
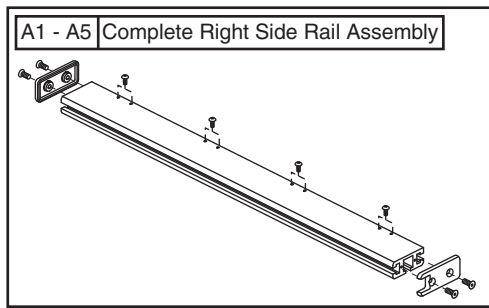


***Top-level assemblies include the side rails and hardware.
Side rails cannot be ordered individually.***

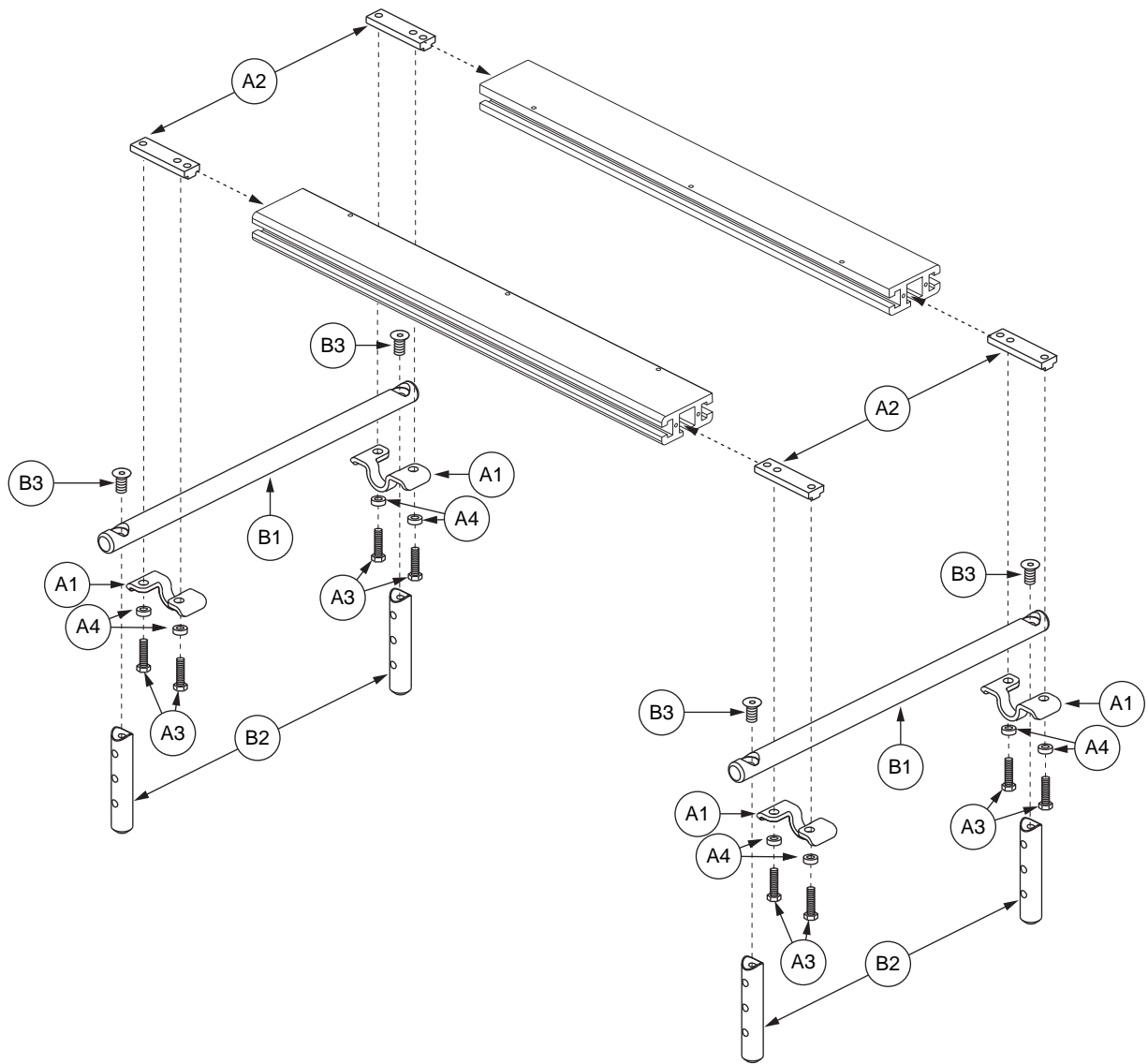


REF #	PART #	DESCRIPTION	QTY	Dealer \$	11i MSRP
PAIR	FRMASMB7732	SIDE RAIL, ASSY, 15"D-20"D, POWER/MANUAL RECLINE, PAIR	1	N/A	N/A
A1	FRMASMB7674	SIDE RAIL, ASSY, 15"D-20"D, POWER/MANUAL RECLINE, LEFT	1	\$58.43	\$149
B1	FRMASMB7675	SIDE RAIL, ASSY, 15"D-20"D, POWER/MANUAL RECLINE, RIGHT	1	\$58.43	\$149
C1	SCRSHFH1036	SCREW, SHFH, BLACK ZINC, 8-32 X 0.50", GR 8, W/PATCH	4	\$1.12	\$2.86
C2	DWR1360B007	EXTRUSION END CAP, SYNERGY SEAT, REAR, B-1360-007	1	\$1.24	\$3.16
C3	SCRASBH1094	SCREW, BHSCS, BLACK ZINC, 10-32 X 0.4375", GR 8, W/PATCH	3	\$1.16	\$2.95
C4	DWR1360B048	EXTRUSION END CAP, SYNERGY SEAT, T-SLOT OPEN END	1	\$1.16	\$2.95
D1	DWR1600B122B	SEAT FRAME, SECUREMENT BRACKET WELDMENT	1	\$17.89	\$45.62
D2	DWR1360A004	T-NUT, 5/16-18 X 0.875", A-1360-004	2	\$2.37	\$6.03
D3	SCRHHCS1241	SCREW, HHCS, BLACK ZINC, 5/16-18 X 0.75", GR 8, W/PATCH	1	\$1.12	\$2.86
D4	SCRHHCS1478	SCREW, HHCS, BLACK ZINC, 5/16-18 X 2.00", FULLY THREADED, GR 8, W/PATCH	1	\$1.12	\$2.86

I. Side Rail Assembly — Power/Manual Recline, 20”-24” Depth



REF #	PART #	DESCRIPTION	QTY	Dealer \$	MSRP	11i
PAIR	FRMASMB7733	SIDE RAIL,ASSY,20"D-24"D,POWER/MANUAL RECLINE,PAIR	1	N/A	N/A	
A1	FRMASMB7676	SIDE RAIL,ASSY,20"D-24"D,POWER/MANUAL RECLINE,LEFT	1	\$67.25	\$171.49	
B1	FRMASMB7677	SIDE RAIL,ASSY,20"D-24"D,POWER/MANUAL RECLINE,RIGHT	1	\$67.25	\$171.49	
C1	SCRSHFH1036	SCREW,SHFH,BLACK ZINC,8-32 X 0.50",GR 8,W/PATCH	4	\$1.12	\$2.86	
C2	DWR1360B007	EXTRUSION END CAP,SYNERGY SEAT,REAR,B-1360-007	1	\$1.24	\$3.16	
C3	SCRASBH1094	SCREW,BHSCS,BLACK ZINC,10-32 X 0.4375",GR 8,W/PATCH	4	\$1.16	\$2.95	
C4	DWR1360B048	EXTRUSION END CAP,SYNERGY SEAT,T-SLOT OPEN END	1	\$1.16	\$2.95	
D1	DWR1600B122B	SEAT FRAME,SECUREMENT BRACKET WELDMENT	1	\$17.89	\$45.62	
D2	DWR1360A004	T-NUT,5/16-18 X 0.875",A-1360-004	2	\$2.37	\$6.03	
D3	SCRHHCS1241	SCREW,HHCS,BLACK ZINC,5/16-18 X 0.75",GR 8,W/PATCH	1	\$1.12	\$2.86	
D4	SCRHHCS1478	SCREW, HHCS,BLACK ZINC,5/16-18 X 2.00",FULLY THREADED,GR 8,W/PATCH	1	\$1.12	\$2.86	

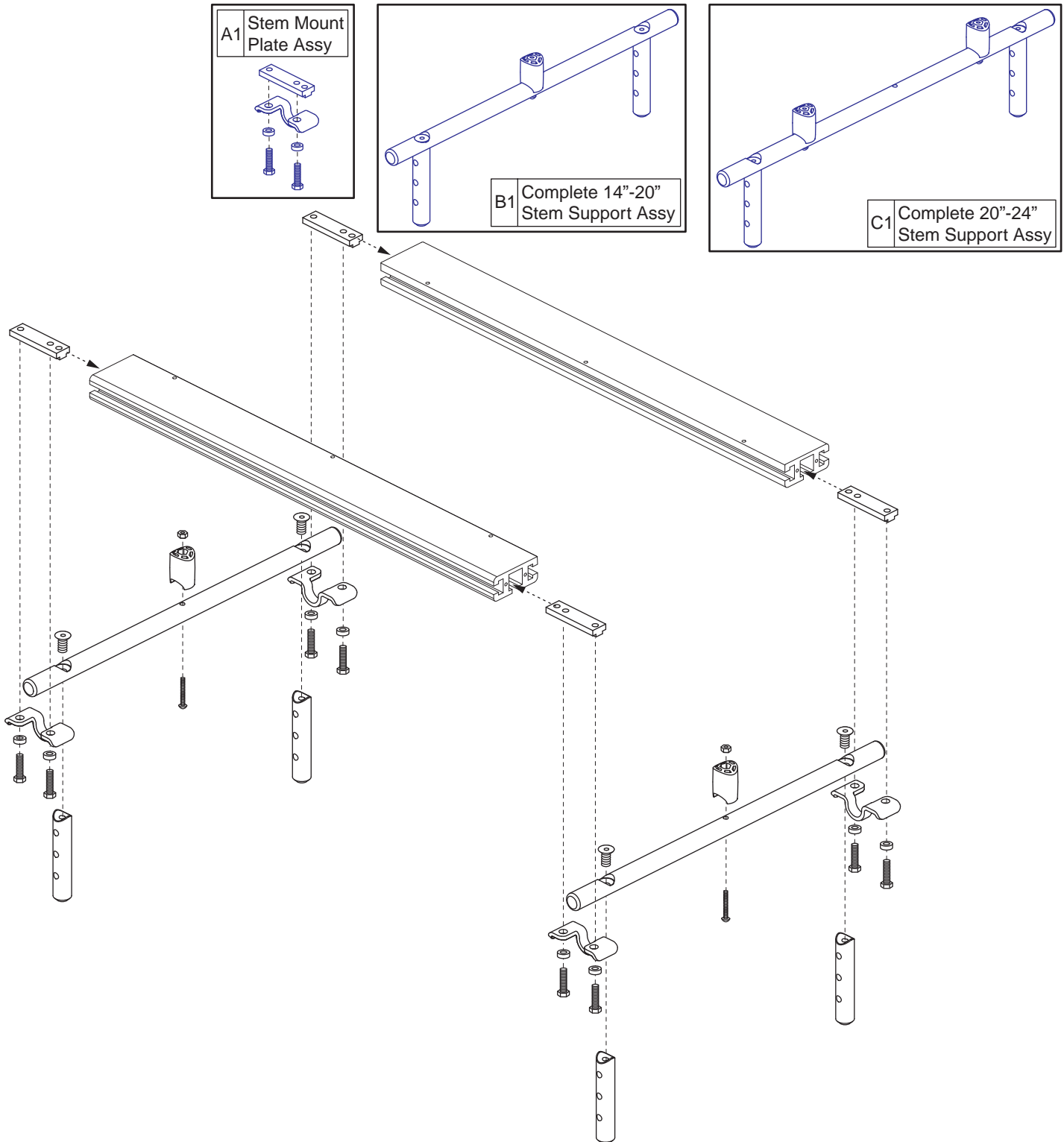


REF #	PART #	DESCRIPTION	QTY	Dealer \$	MSRP	11i
A1 - B3	FRMASMB4804	STEM MOUNT,ASSY,10"W-14"W,16.125" CENTERS,SYNERGY SEAT	1	\$87.1	\$222.1	
A1 - A4	FRMASMB4657	STEM MOUNT PLATE,ASSY,SYNERGY SEAT,B-1360-002	4	\$9.49	\$24.19	
A1	DWR1360B009	MOUNTING BRACKET,STEM MOUNT PLATE,SYNERGY SEAT	1	N/A	N/A	
A2	DWR1005B215	T-NUT,BLACK,5/16-18 X 2.75",W/3 HOLES,0.74" TH,B-1005-215	1	\$2.65	\$6.75	
A3	SCRHHCS1246	SCREW,HHCS,BLACK ZINC,5/16-18 X 1.25",GR 8,W/PATCH	2	\$1.1	\$2.81	
A4	DWR1600A052	SPACER,BLACK ZINC,STEEL,0.328" ID X 0.50" OD X 0.20" TH	2	\$1.15	\$2.92	
B1 - B3	FRMASMB6469	HORIZONTAL STEM SUPPORT,ASSY,10"W-14"W,16.125" CENTERS,3-HOLE,SYNERGY SEAT,C-1360-120	2	\$31.97	\$81.53	
B1	DWR1360D021	HORIZONTAL STEM SUPPORT,10"W-18"W,16.125" CENTERS	1	\$12.13	\$30.93	
B2	DWR1360B020	VERTICAL STEM SUPPORT,3-HOLE,SYNERGY SEAT,B-1360-020	2	N/A	N/A	
B3	SCRSHFH1071	SCREW,SHFH,BLACK ZINC,5/16-18 X 0.875",GR 8,W/PATCH	2	\$1.1	\$2.81	

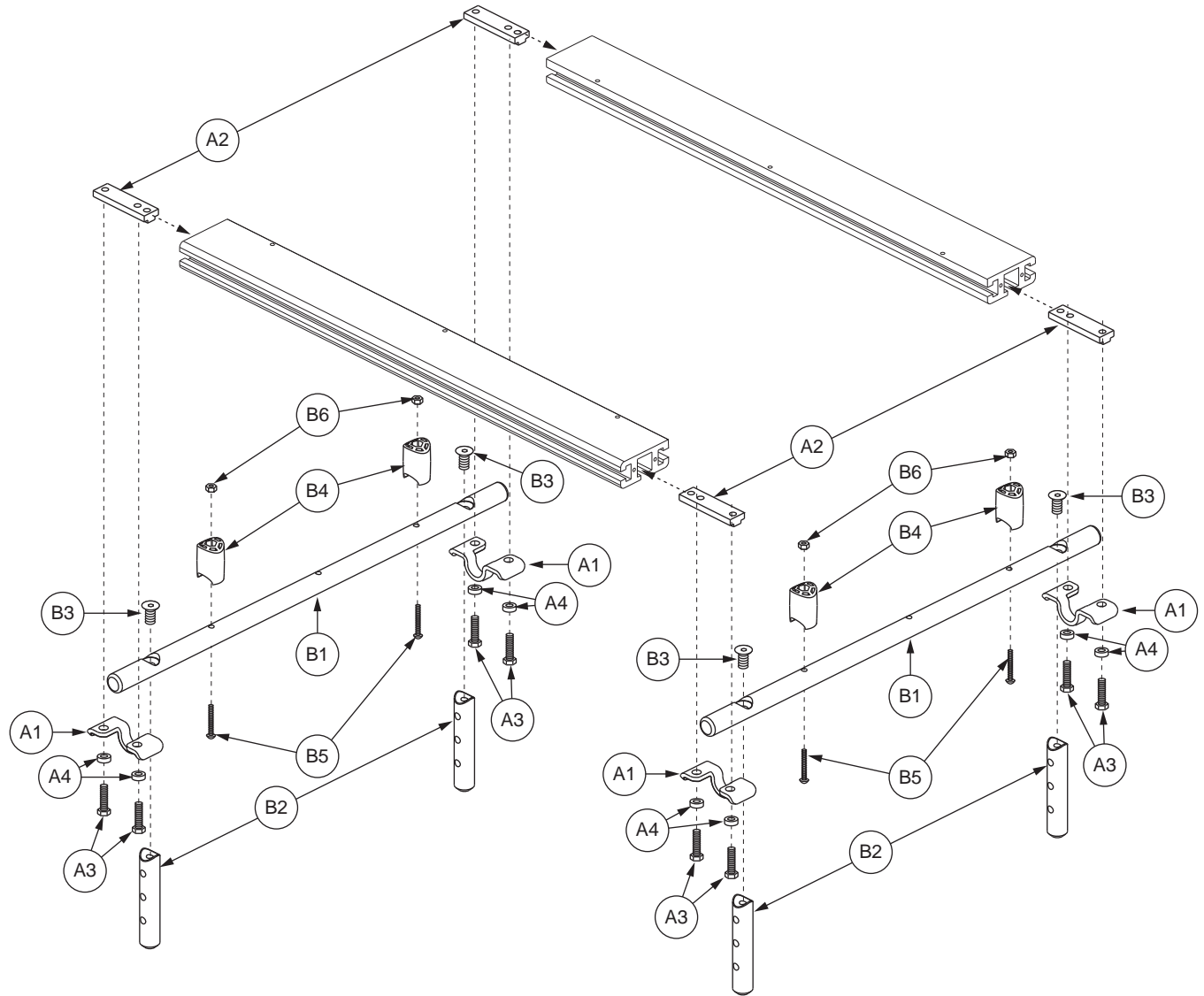
II. Stem Mount Assembly — 16.125" Centers, Version 1, 14"-20" Width



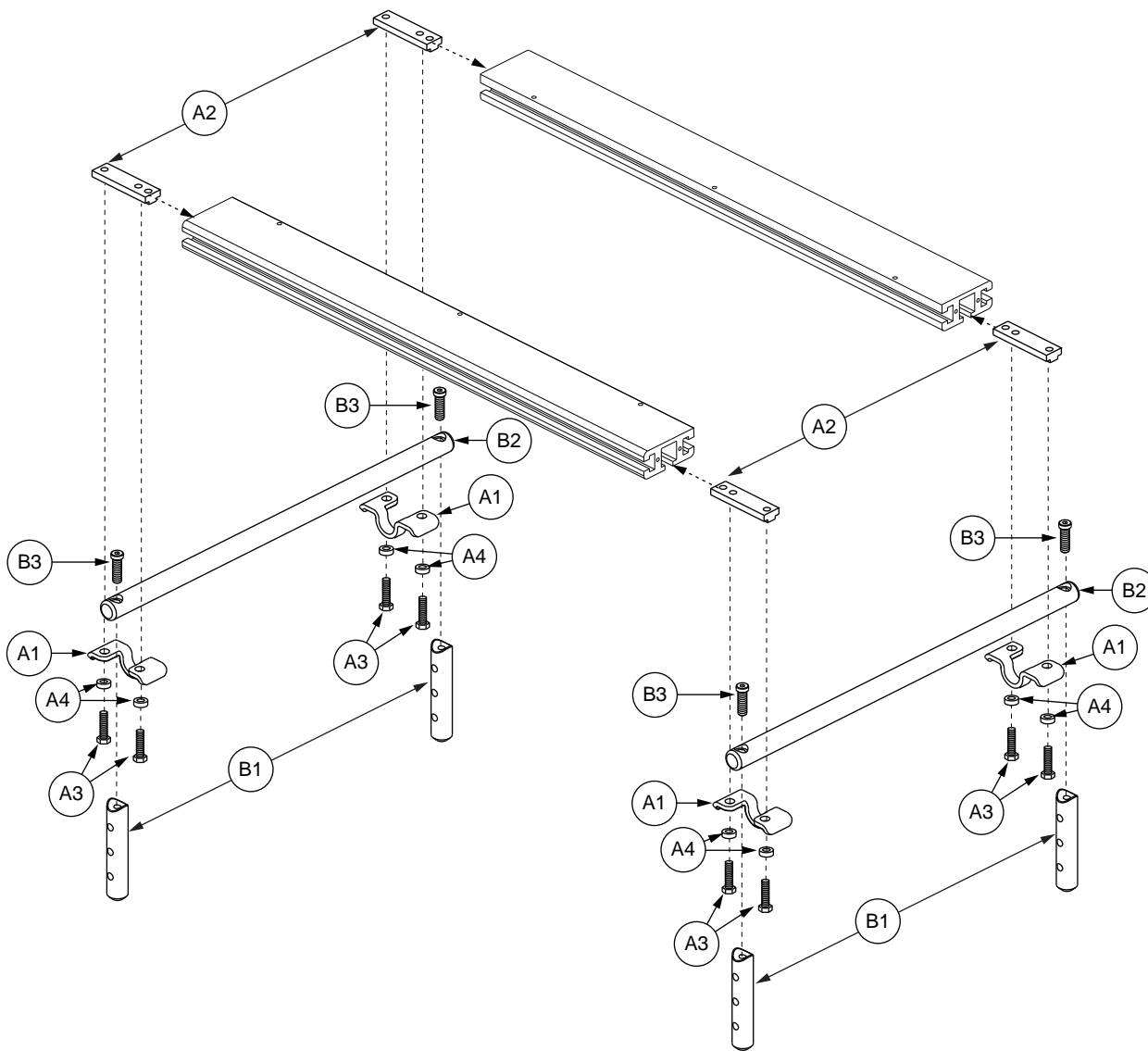
Individual components are not available for replacement. The entire assembly must be selected.



REF #	PART #	DESCRIPTION	QTY	Dealer \$	MSRP	11i
A1	FRMASMB4657	STEM MOUNT PLATE,ASSY,SYNERGY SEAT,B-1360-002	1	\$9.49	\$24.19	
B1	FRMASMB6470	HORIZONTAL STEM SUPPORT,ASSY,14"W-20"W,16.125" CENTERS	1	\$35.28	\$89.96	
C1	FRMASMB6471	HORIZONTAL STEM SUPPORT,ASSY,20"W-24"W,16.125" CENTERS	1	\$37.49	\$95.59	



REF #	PART #	DESCRIPTION	QTY	Dealer \$	MSRP	11i
A1	FRMASMB4657	STEM MOUNT PLATE,ASSY,SYNERGY SEAT,B-1360-002	4	\$9.49	\$24.19	
B1	FRMASMB6471	HORIZONTAL STEM SUPPORT,ASSY,20"W-24"W,16.125" CENTERS,3-HOLE	2	\$37.49	\$95.59	

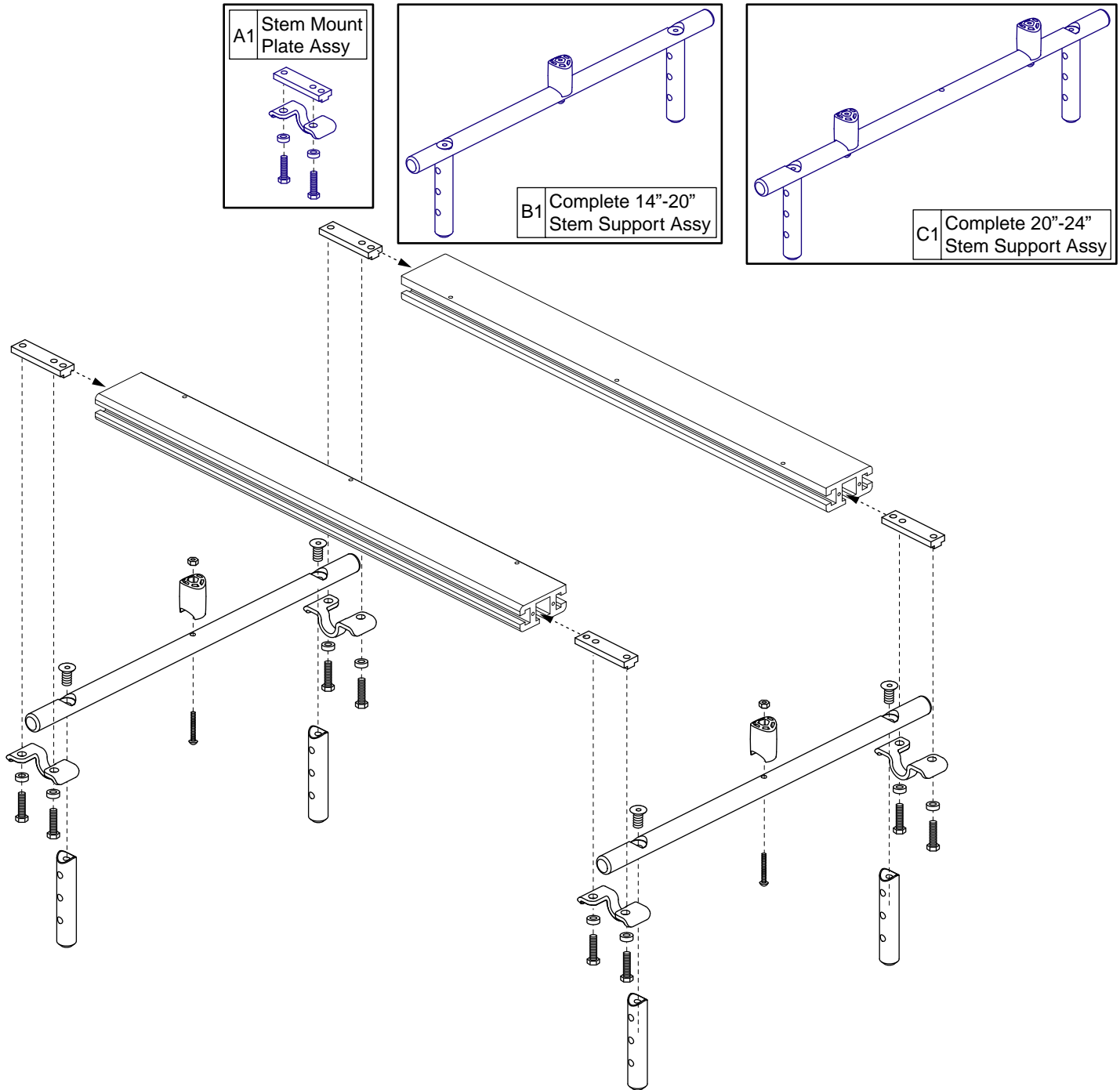


REF #	PART #	DESCRIPTION	QTY	Dealer \$	MSRP	11i
A1 - B3	FRMASMB12039	STEM MOUNT,ASSY,10"W-14"W,16.125" CENTERS,SYNERGY SEAT	1	\$54.66	\$139.39	
A1 - A4	FRMASMB4657	STEM MOUNT PLATE,ASSY,SYNERGY SEAT,B-1360-002	4	\$9.49	\$24.19	
A1	DWR1360B009	MOUNTING BRACKET,STEM MOUNT PLATE,SYNERGY SEAT	1	N/A	N/A	
A2	DWR1005B215	T-NUT,BLACK,5/16-18 X 2.75",W/3 HOLES,0.74" TH	1	\$2.65	\$6.75	
A3	SCRHHCS1246	SCREW,HHCS,BLACK ZINC,5/16-18 X 1.25",GR 8,W/PATCH	2	\$1.1	\$2.81	
A4	DWR1600A052	SPACER,BLACK ZINC,STEEL,0.328" ID X 0.50" OD X 0.20" TH	2	\$1.15	\$2.92	
B1 - B3	FRMASMB10826	HORIZONTAL STEM SUPPORT,ASSY,10"W-14"W,16.125" CENTERS,LOW HEAD SCREWS,3-HOLE,SYNERGY SEAT,D-1360-092	2	\$11.72	\$29.88	
B1	DWR1360B020	VERTICAL STEM SUPPORT,3-HOLE,SYNERGY SEAT,B-1360-020	2	N/A	N/A	
B2	DWR1360D082	HORIZONTAL STEM SUPPORT,10"W-14"W,16.125" CENTERS,Q6000 TIE DOWN,SYNERGY SEAT,D-1360-082	1	\$14.33	\$36.55	
B3	SCRSHCS1253	SCREW,SHCS,BLACK ZINC,5/16-18 X 1.00",LOW HEAD,W/PATCH	2	\$1.1	\$2.81	

II. Stem Mount Assembly — 16.125" Centers, Version 2, 14"-20" Width

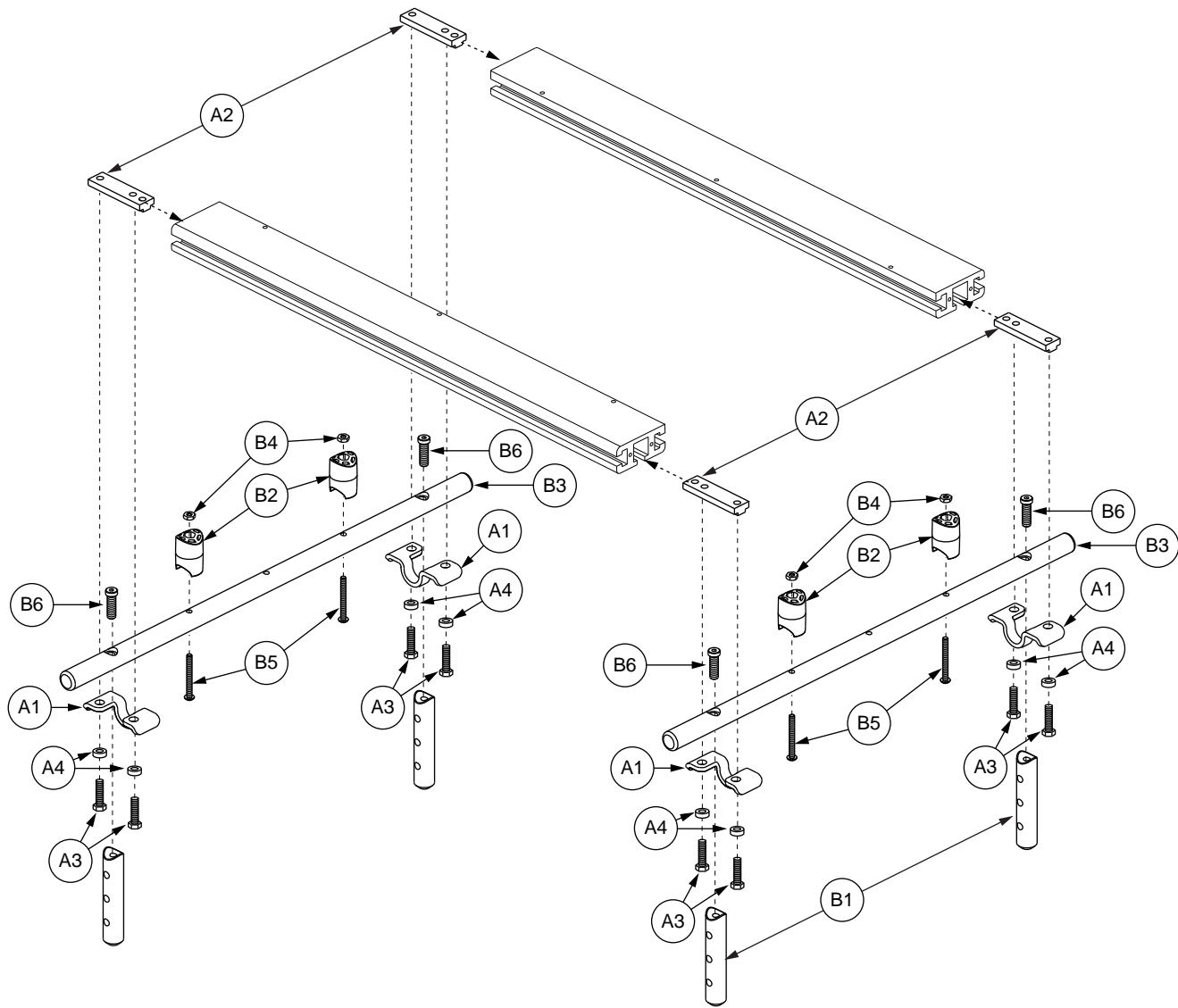


Individual components are not available for replacement. The entire assembly must be selected.



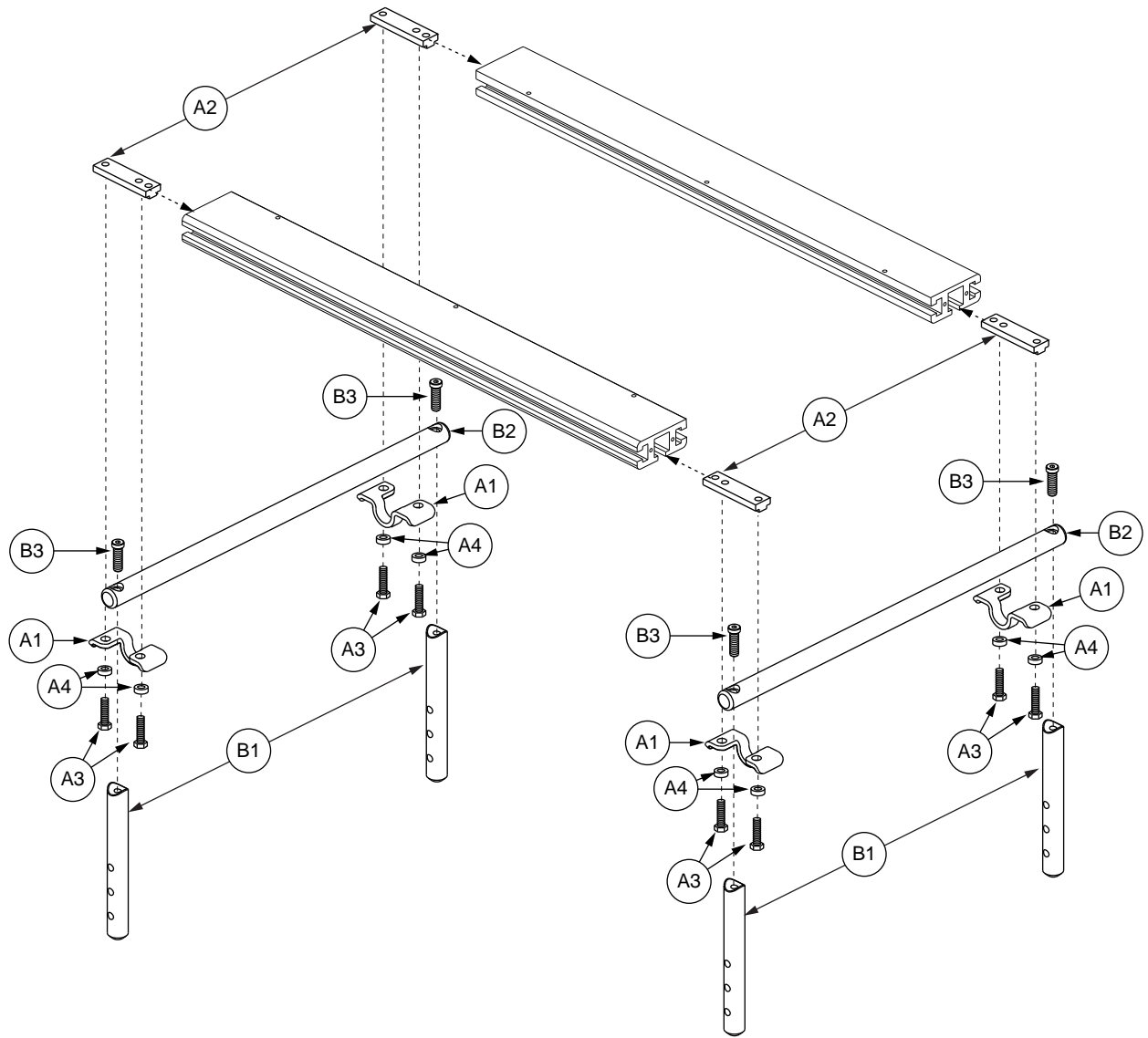
REF #	PART #	DESCRIPTION	QTY	Dealer \$	MSRP	11i
A1	FRMASMB4657	STEM MOUNT PLATE,ASSY,SYNERGY SEAT,B-1360-002	1	\$9.49	\$24.19	
B1	FRMASMB10827	HORIZONTAL STEM SUPPORT,ASSY,14"-20"W,16.125" CENTERS	1	\$37.39	\$95.35	
C1	FRMASMB10828	HORIZONTAL STEM SUPPORT,ASSY,20"-24"W,16.125" CENTERS	1	\$20.37	\$51.95	

II. Stem Mount Assembly — 16.125" Centers, Version 2, 20"-24" Width



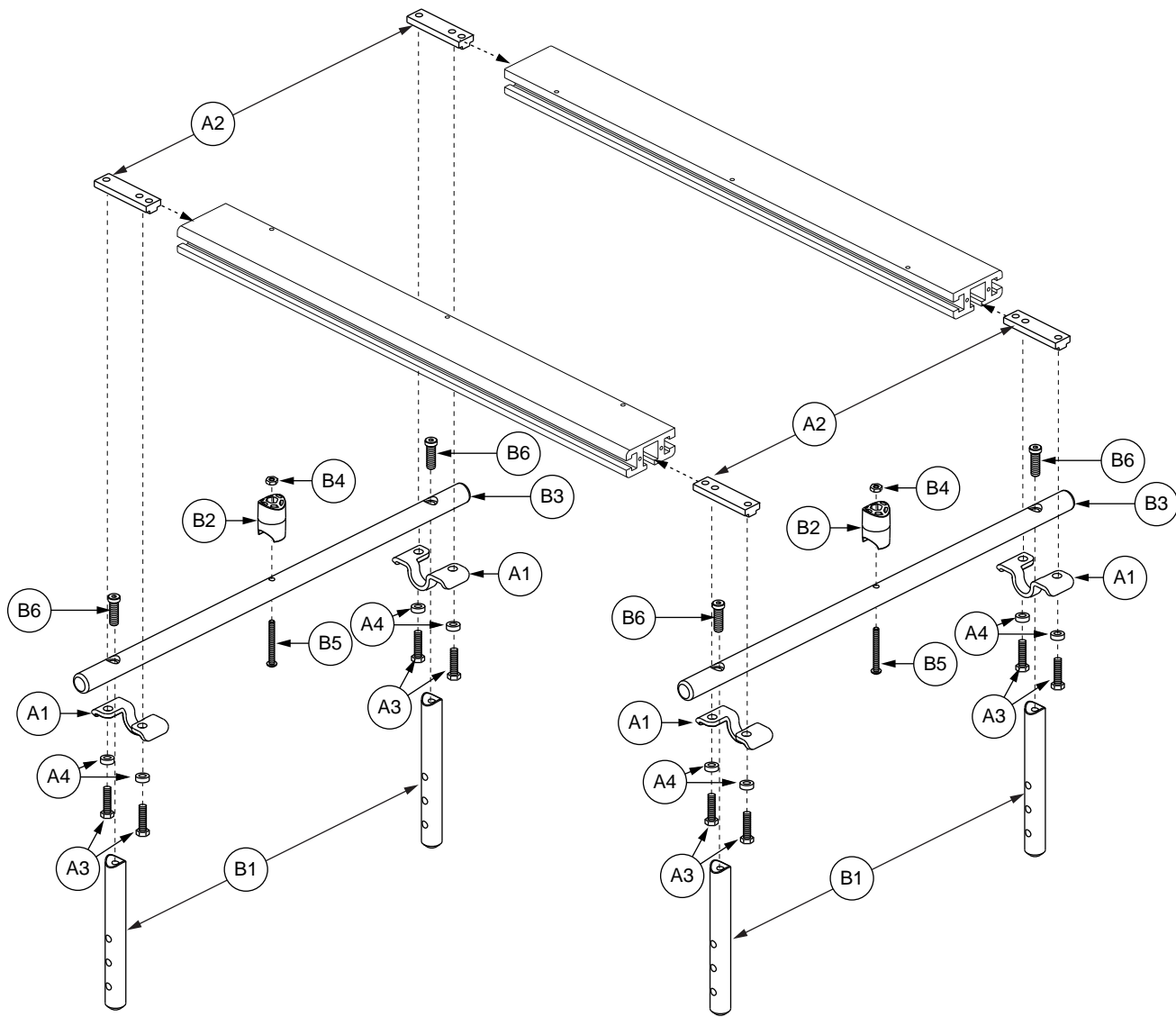
REF #	PART #	DESCRIPTION	QTY	Dealer \$	MSRP	11i
A1	FRMASMB4657	STEM MOUNT PLATE,ASSY,SYNERGY SEAT,B-1360-002	4	\$9.49	\$24.19	
B1	FRMASMB10828	HORIZONTAL STEM SUPPORT,ASSY,20"-24"W,16.125" CENTERS	2	\$20.37	\$51.95	

II. Stem Mount Assembly — 16.125" Centers, Extended, 10"-14" Width



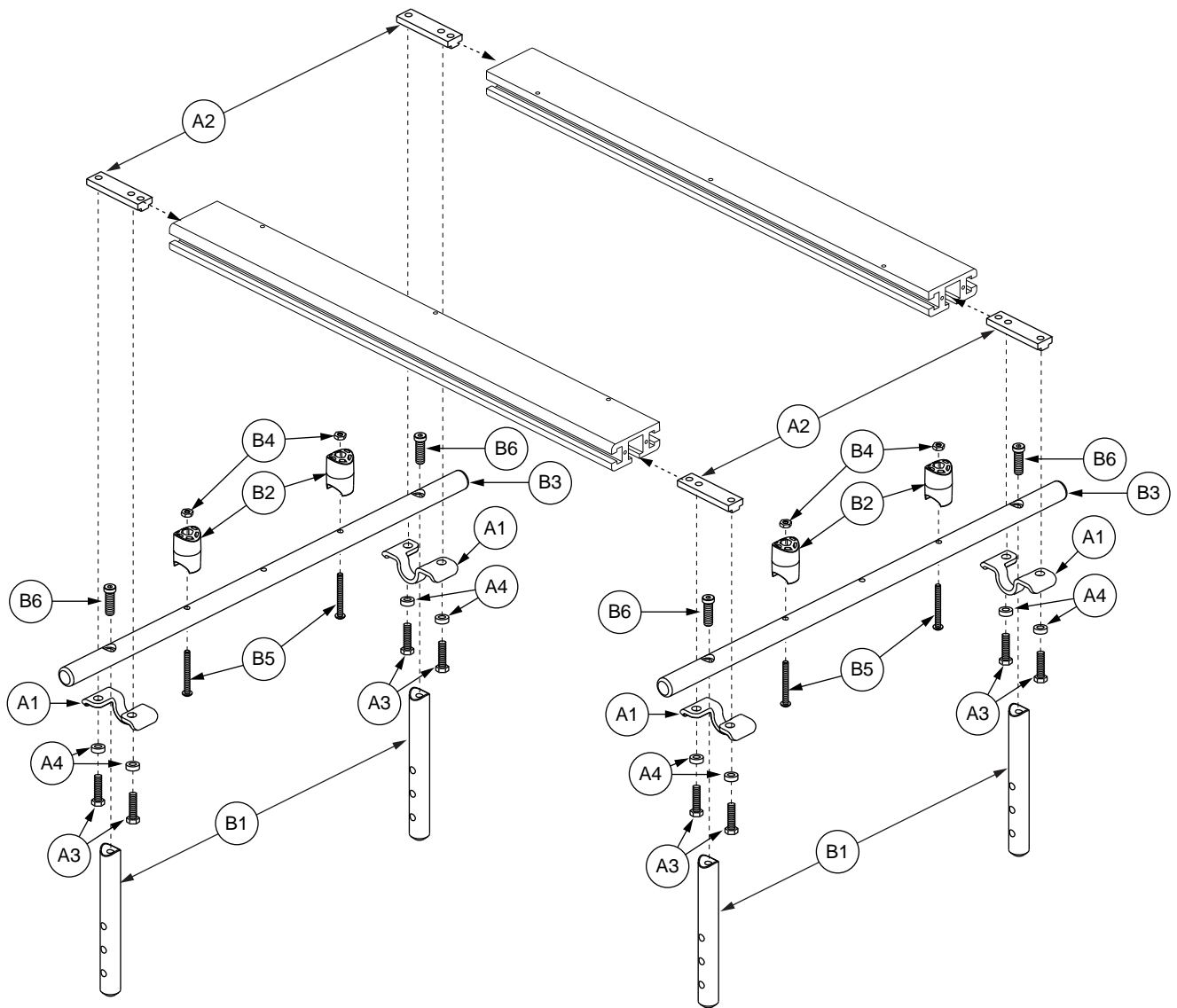
REF #	PART #	DESCRIPTION	QTY	Dealer \$	11i MSRP
A1 - B3	FRMASMB14158	EXTENDED STEM MOUNT, ASSY, 10"W-14"W, 16.125" CENTERS, SYNERGY SEAT	1	\$80.34	\$204.87
A1 - A4	FRMASMB4657	STEM MOUNT PLATE, ASSY, SYNERGY SEAT, B-1360-002	4	\$9.49	\$24.19
A1	DWR1360B009	MOUNTING BRACKET, STEM MOUNT PLATE, SYNERGY SEAT	1	N/A	N/A
A2	DWR1005B215	T-NUT, BLACK, 5/16-18 X 2.75", W/3 HOLES, 0.74" TH, B-1005-215	1	\$2.65	\$6.75
A3	SCRHHCS1246	SCREW, HHCS, BLACK ZINC, 5/16-18 X 1.25", GR 8, W/PATCH	2	\$1.1	\$2.81
A4	DWR1600A052	SPACER, BLACK ZINC, STEEL, 0.328" ID X 0.50" OD X 0.20" TH	2	\$1.15	\$2.92
B1 - B3	FRMASMB12856	EXTENDED HORIZONTAL STEM SUPPORT, ASSY, 10"W-14"W, 16.125" CENTERS, 3-HOLE, SYNERGY SEAT, D-1360-110	1	\$40.62	\$103.57
B1	DWR1360C181	LONG VERTICAL STEM SUPPORT, 3-HOLE, SYNERGY SEAT, C-1360-181	2	N/A	N/A
B2	DWR1360D082	HORIZONTAL STEM SUPPORT, 10"W-14"W, 16.125" CENTERS, Q6000 TIE DOWN, SYNERGY SEAT, D-1360-082	1	\$14.33	\$36.55
B3	SCRSHCS1253	SCREW, SHCS, BLACK ZINC, 5/16-18 X 1.00", LOW HEAD, W/PATCH	2	\$1.1	\$2.81

II. Stem Mount Assembly — 16.125" Centers, Extended, 14"-20" Width

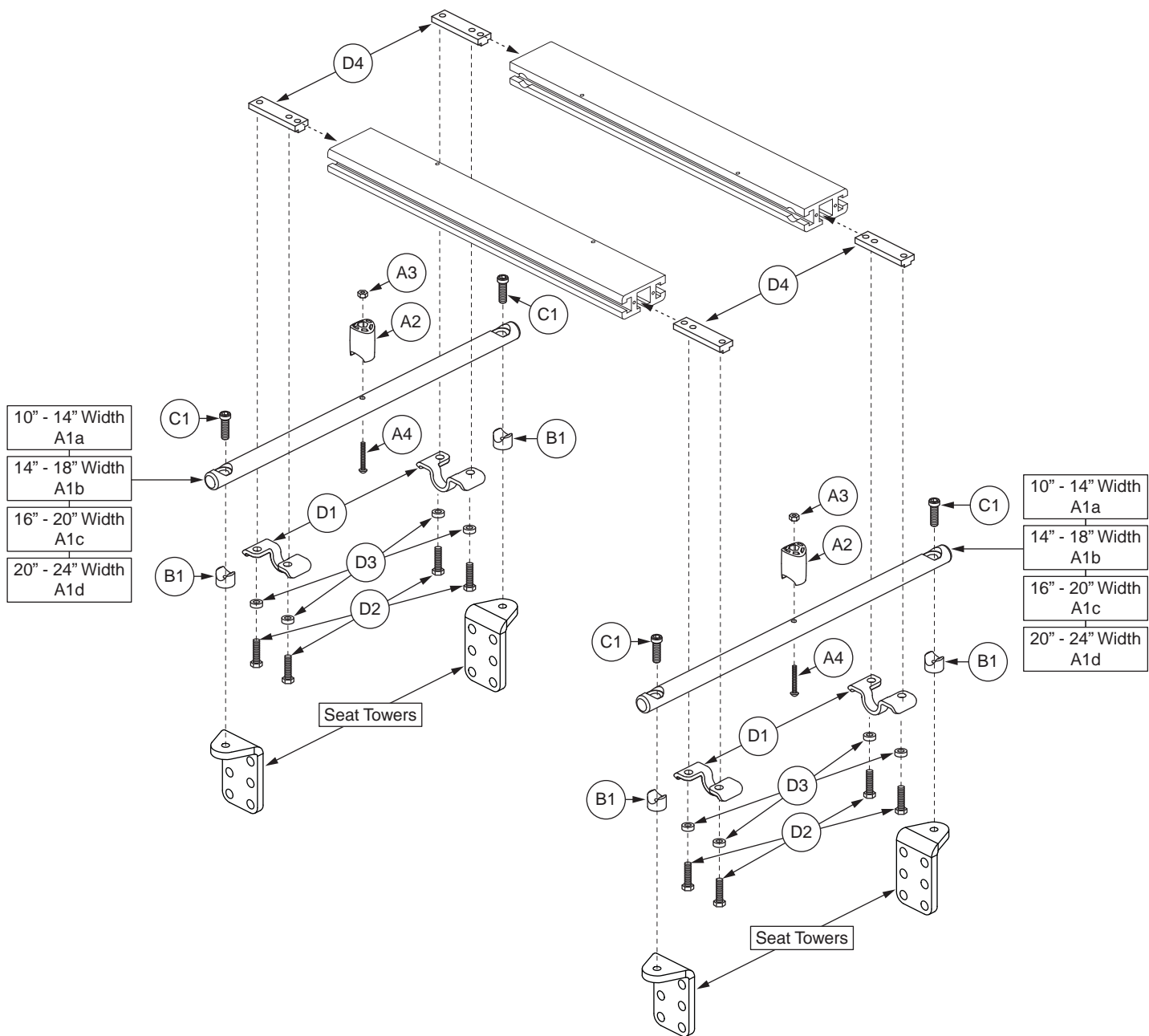


REF #	PART #	DESCRIPTION	QTY	Dealer \$	11i MSRP
A1 - B6	FRMASMB14159	EXTENDED STEM MOUNT,ASSY,14"W-18"W,16.125" CENTERS,SYNERGY SEAT	1	\$83.7	\$213.44
A1 - B6	FRMASMB14160	EXTENDED STEM MOUNT,ASSY,16"W-20"W,16.125" CENTERS,SYNERGY SEAT	1	\$83.7	\$213.44
A1 - A4	FRMASMB4657	STEM MOUNT PLATE,ASSY,SYNERGY SEAT,B-1360-002	4	\$9.49	\$24.19
A1	DWR1360B009	MOUNTING BRACKET,STEM MOUNT PLATE,SYNERGY SEAT	1	N/A	N/A
A2	DWR1005B215	T-NUT,BLACK,5/16-18 X 2.75",W/3 HOLES,0.74" TH,B-1005-215	1	\$2.65	\$6.75
A3	SCRHHCS1246	SCREW,HHCS,BLACK ZINC,5/16-18 X 1.25",GR 8,W/PATCH	2	\$1.1	\$2.81
A4	DWR1600A052	SPACER,BLACK ZINC,STEEL,0.328" ID X 0.50" OD X 0.20" TH	2	\$1.15	\$2.92
B1 - B6	FRMASMB12857	EXTENDED HORIZONTAL STEM SUPPORT,ASSY,14"W-20"W,16.125" CENTERS,3-HOLE,SYNERGY SEAT,D-1360-111	1	\$43.98	\$112.15
B1	DWR1360C181	LONG VERTICAL STEM SUPPORT,3-HOLE,SYNERGY SEAT	2	N/A	N/A
B2	DWR1360B021	SEAT PAN STAND-OFF,SYNERGY SEAT,B-1360-021	1	N/A	N/A
B3	DWR1360D083	HORIZONTAL STEM SUPPORT,14"W-20"W,16.125" CENTERS,Q6000 TIE DOWN,SYNERGY SEAT,D-1360-083	1	N/A	N/A
B4	NUTNYLK1001	NUT,NYLOCK,BLACK ZINC,10-32	1	\$1.16	\$2.96
B5	SCRASBH1101	SCREW,BHSCS,BLACK ZINC,10-32 X 1.75"	1	\$1.1	\$2.81
B6	SCRSHCS1253	SCREW,SHCS,BLACK ZINC,5/16-18 X 1.00",LOW HEAD,W/PATCH	2	\$1.1	\$2.81

II. Stem Mount Assembly — 16.125” Centers, Extended, 20”-24” Width



REF #	PART #	DESCRIPTION	QTY	Dealer \$	MSRP	11i
A1 - B6	FRMASMB14161	EXTENDED STEM MOUNT, ASSY, 20"W-24"W, 16.125" CENTERS, SYNERGY SEAT	1	\$87.35	\$222.74	
A1 - A4	FRMASMB4657	STEM MOUNT PLATE, ASSY, SYNERGY SEAT, B-1360-002	4	\$9.49	\$24.19	
A1	DWR1360B009	MOUNTING BRACKET, STEM MOUNT PLATE, SYNERGY SEAT	1	\$2.21	\$5.62	
A2	DWR1005B215	T-NUT, BLACK, 5/16-18 X 2.75", W/3 HOLES, 0.74" TH, B-1005-215	1	\$2.65	\$6.75	
A3	SCRHHCS1246	SCREW, HHCS, BLACK ZINC, 5/16-18 X 1.25", GR 8, W/PATCH	2	\$1.1	\$2.81	
A4	DWR1600A052	SPACER, BLACK ZINC, STEEL, 0.328" ID X 0.50" OD X 0.20" TH	2	\$1.15	\$2.92	
B1 - B6	FRMASMB12858	EXTENDED HORIZONTAL STEM SUPPORT, ASSY, 20"W-24"W, 16.125" CENTERS, 3-HOLE, SYNERGY SEAT, D-1360-112	1	\$47.63	\$121.45	
B1	DWR1360C181	LONG VERTICAL STEM SUPPORT, 3-HOLE, SYNERGY SEAT	2	N/A	N/A	
B2	DWR1360B021	SEAT PAN STAND-OFF, SYNERGY SEAT, B-1360-021	2	\$7.72	\$19.68	
B3	DWR1360D084	HORIZONTAL STEM SUPPORT, 20"W-24"W, 16.125" CENTERS, Q6000 TIE DOWN, SYNERGY SEAT, D-1360-084	1	\$14.33	\$36.55	
B4	NUTNYLK1001	NUT, NYLOCK, BLACK ZINC, 10-32	2	\$1.16	\$2.96	
B5	SCRASBH1101	SCREW, BHSCS, BLACK ZINC, 10-32 X 1.75"	2	\$1.1	\$2.81	
B6	SCRSHCS1253	SCREW, SHCS, BLACK ZINC, 5/16-18 X 1.00", LOW HEAD, W/PATCH	2	\$1.1	\$2.81	

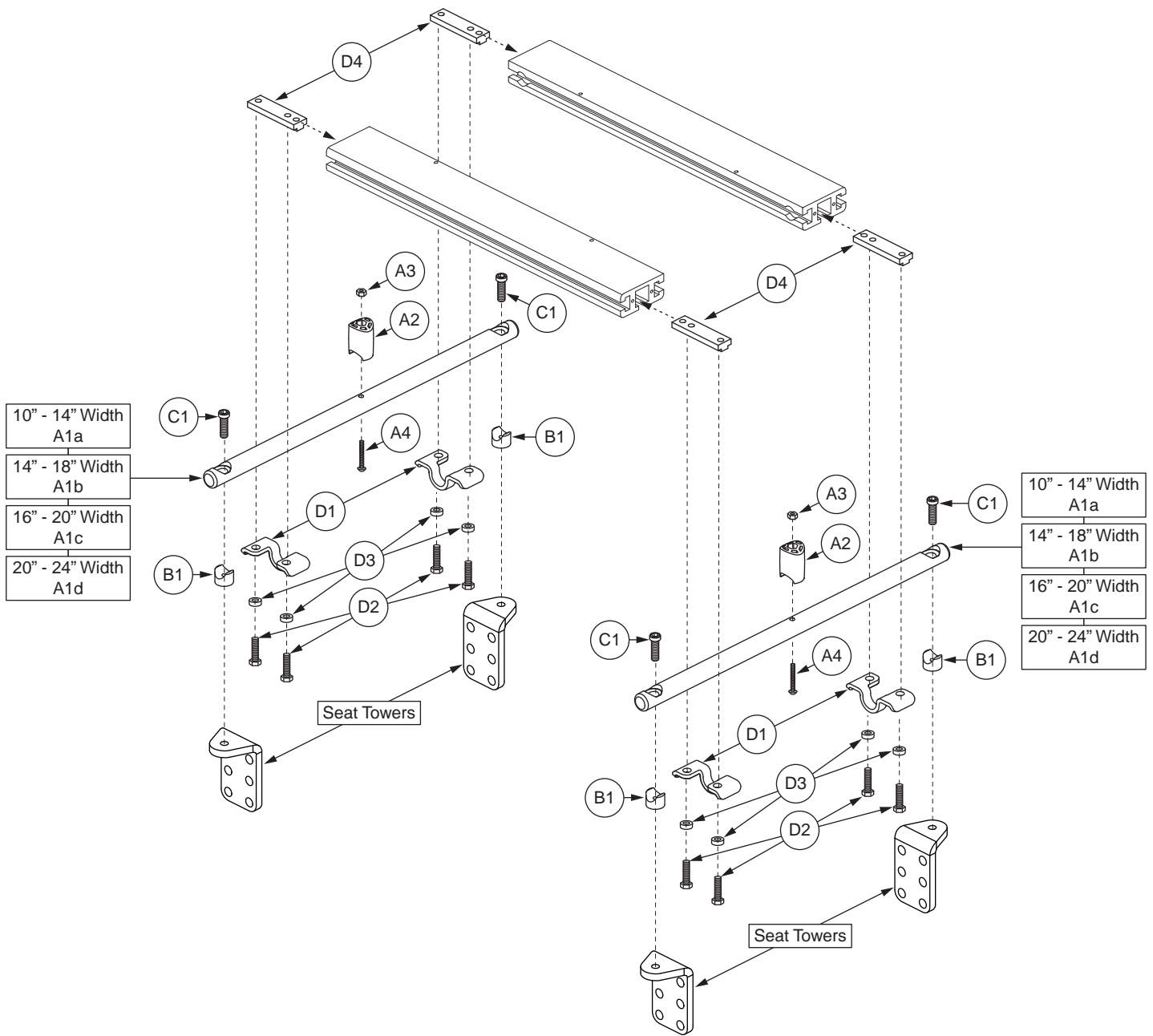




REF #	PART #	DESCRIPTION	QTY	Dealer \$	11i MSRP
A1a - D4	FRMASMB16276	STEM MOUNT,ASSY,10"W-14"W,14" CENTERS,SYNERGY SEAT	1	\$105.65	\$269.41
A1b - D4	FRMASMB16277	STEM MOUNT,ASSY,14"W-18"W,14" CENTERS,SYNERGY SEAT	1	N/A	N/A
A1c - D4	FRMASMB16278	STEM MOUNT,ASSY,16"W-20"W,14" CENTERS,SYNERGY SEAT	1	N/A	N/A
A1d - D4	FRMASMB16279	STEM MOUNT,ASSY,20"W-24"W,14" CENTERS,SYNERGY SEAT	1	N/A	N/A
A1a - C1	MEC120326	HORIZONTAL STEM SUPPORT,ASSY,10"W-14"W,14"CENTERS,SYNERGY SEAT,W/MOUNTING HARDWARE	1	N/A	N/A
A1b - C1	MEC120327	HORIZONTAL STEM SUPPORT,ASSY,14"W-18"W,14" CENTERS,SYNERGY SEAT,W/MOUNTING HARDWARE	1	N/A	N/A
A1c - C1	MEC120328	HORIZONTAL STEM SUPPORT,ASSY,16"W-20"W,14"CENTERS,SYNERGY SEAT,W/MOUNTING HARDWARE	1	N/A	N/A
A1d - C1	MEC120329	HORIZONTAL STEM SUPPORT,ASSY,20"W-24"W,14" CENTERS,SYNERGY SEAT,W/MOUNTING HARDWARE	1	N/A	N/A
A1a - A4	FRMASMB16065	HORIZONTAL STEM SUPPORT,ASSY,10"W-14"W,14" CENTERS,SYNERGY SEAT,D-1220-038	2	\$37.39	\$95.35
A1b - A4	FRMASMB16066	HORIZONTAL STEM SUPPORT,ASSY,14"W-18"W,14" CENTERS,SYNERGY SEAT,D-1220-039	2	\$37.39	\$95.35
A1c - A4	FRMASMB16067	HORIZONTAL STEM SUPPORT,ASSY,16"W-20"W,14" CENTERS,SYNERGY SEAT,D-1220-040	2	\$37.39	\$95.35
A1d - A4	FRMASMB16068	HORIZONTAL STEM SUPPORT,ASSY,20"W-24"W,14" CENTERS,SYNERGY SEAT,D-1220-041	2	\$37.39	\$95.35
A1a	DWR1220D034	HORIZONTAL STEM SUPPORT,10"W-14"W,14" CENTERS,SYNERGY	1	N/A	N/A
A1b	DWR1220D035	HORIZONTAL STEM SUPPORT,14"W-18"W,14" CENTERS,SYNERGY	1	N/A	N/A
A1c	DWR1220D036	HORIZONTAL STEM SUPPORT,16"W-20"W,14" CENTERS,SYNERGY	1	N/A	N/A
A1d	DWR1220D037	HORIZONTAL STEM SUPPORT,20"W-24"W,14" CENTERS,SYNERGY	1	N/A	N/A
A2	DWR1360B021	SEAT PAN STAND-OFF,SYNERGY SEAT,B-1360-021	1	N/A	N/A
A3	NUTNYLK1001	NUT,NYLOCK,BLACK ZINC,10-32	1	\$1.16	\$2.96
A4	SCRASBH1101	SCREW,BHSCS,BLACK ZINC,10-32 X 1.75"	1	\$1.1	\$2.81
B1	DWR1220C024	SPACER,COPED,BLACK,SYNERGY SEAT,C-1220-024	2	\$3.76	\$9.58
C1	SCRSHCS1304	SCREW,SHCS,BLACK ZINC,3/8-16 X 1.25",LOW HEAD,GR 8,W/PATCH	2	\$1.1	\$2.81
D1 - D4	FRMASMB4657	STEM MOUNT PLATE,ASSY,SYNERGY SEAT,B-1360-002	4	\$9.49	\$24.19
D1	DWR1360B009	MOUNTING BRACKET,STEM MOUNT PLATE,SYNERGY SEAT	1	N/A	N/A
D2	SCRHHCS1246	SCREW,HHCS,BLACK ZINC,5/16-18 X 1.25",GR 8,W/PATCH	2	\$1.1	\$2.81
D3	DWR1600A052	SPACER,BLACK ZINC,STEEL,0.328" ID X 0.50" OD X 0.20" TH	2	\$1.15	\$2.92
D4	DWR1005B215	T-NUT,BLACK,5/16-18 X 2.75",W/3 HOLES,0.74" TH,B-1005-215	1	\$2.65	\$6.75

Notes :

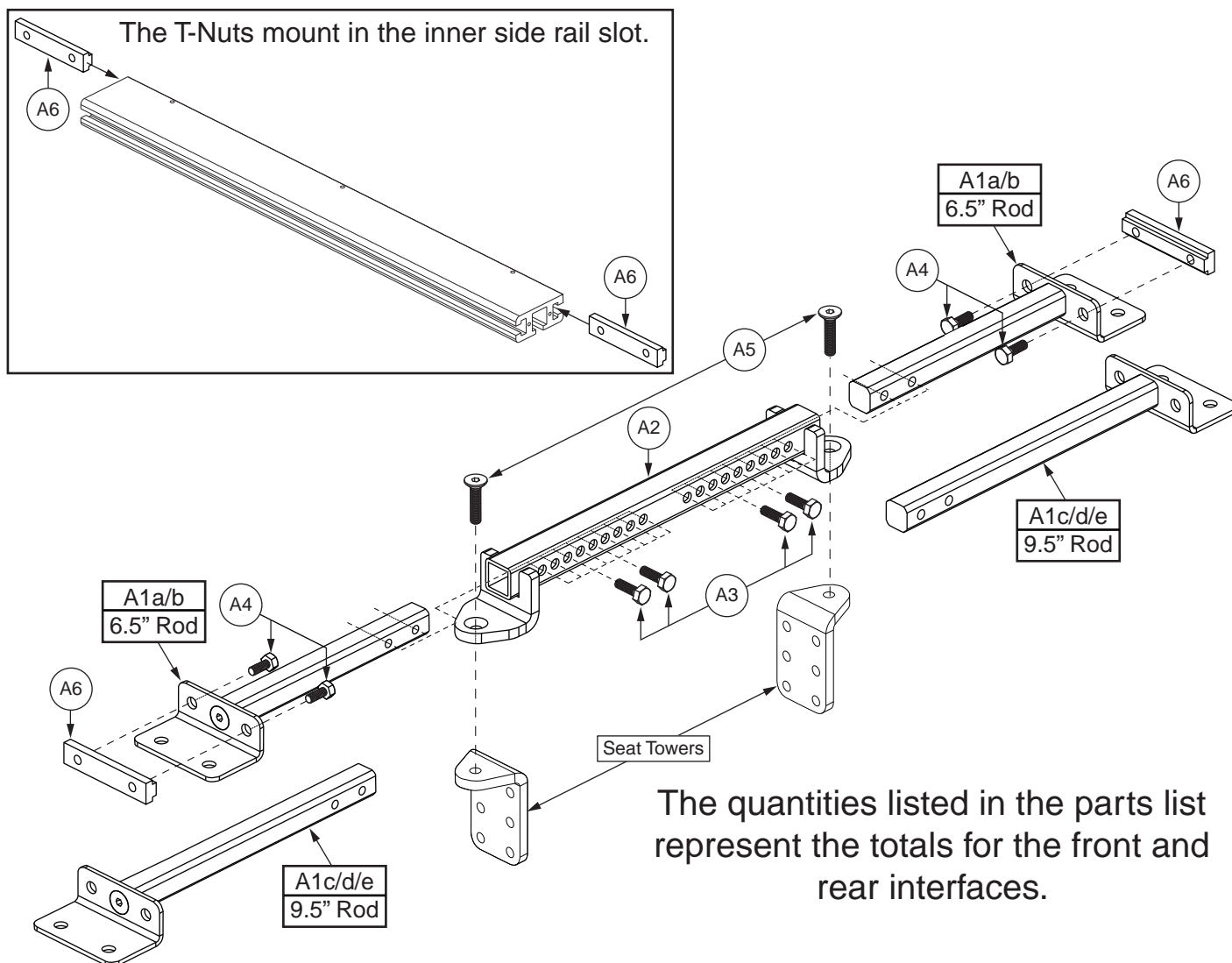
Top-level assemblies will include components designated with corresponding lower-case letters. Parts without lower-case extensions will be included in all top-level assemblies.



II. Stem Mount Assembly — 14” Centers, 10”-24” Width (Metric Tower Hardware)

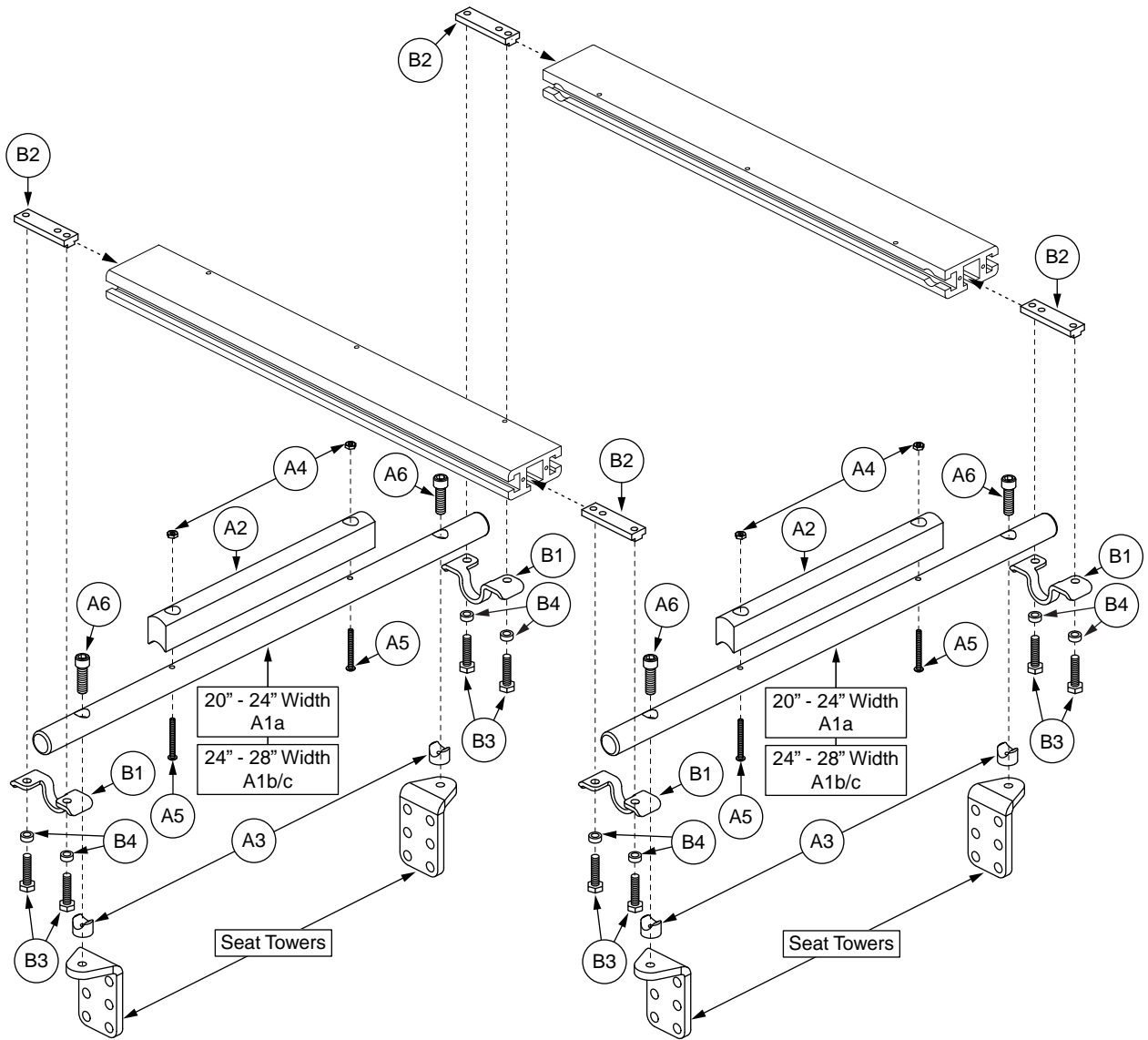


REF #	PART #	DESCRIPTION	QTY	Dealer \$	MSRP	11i
A1a - D4	FRMASMB18011	STEM MOUNT,ASSY,10"W-14"W,14" CENTERS,METRIC,SYNERGY	1	\$115.38	\$294.22	
A1b - D4	FRMASMB18012	STEM MOUNT,ASSY,14"W-18"W,14" CENTERS,METRIC,SYNERGY	1	\$115.38	\$294.22	
A1c - D4	FRMASMB18013	STEM MOUNT,ASSY,16"W-20"W,14" CENTERS,METRIC,SYNERGY	1	\$115.38	\$294.22	
A1d - D4	FRMASMB18014	STEM MOUNT,ASSY,20"W-24"W,14" CENTERS,METRIC,SYNERGY	1	\$115.38	\$294.22	
A1a - C1	MEC120330	HORIZONTAL STEM SUPPORT,ASSY,10"W-14"W,14" CENTERS,SYNERGY SEAT,W/METRIC MOUNTING HARDWARE	1	\$84.5	\$215.48	
A1b - C1	MEC120331	HORIZONTAL STEM SUPPORT,ASSY,14"W-18"W,14" CENTERS,SYNERGY SEAT,W/METRIC MOUNTING HARDWARE	1	\$84.5	\$215.48	
A1c - C1	MEC120332	HORIZONTAL STEM SUPPORT,ASSY,16"W-20"W,14" CENTERS,SYNERGY SEAT,W/METRIC MOUNTING HARDWARE	1	\$84.5	\$215.48	
A1d - C1	MEC120333	HORIZONTAL STEM SUPPORT,ASSY,20"W-24"W,14" CENTERS,SYNERGY SEAT,W/METRIC /MOUNTING HARDWARE	1	\$84.5	\$215.48	
A1a - A4	FRMASMB16065	HORIZONTAL STEM SUPPORT,ASSY,10"W-14"W,14" CENTERS,SYNERGY SEAT,D-1220-038	2	\$37.39	\$95.35	
A1b - A4	FRMASMB16066	HORIZONTAL STEM SUPPORT,ASSY,14"W-18"W,14" CENTERS,SYNERGY SEAT,D-1220-039	2	\$37.39	\$95.35	
A1c - A4	FRMASMB16067	HORIZONTAL STEM SUPPORT,ASSY,16"W-20"W,14" CENTERS,SYNERGY SEAT,D-1220-040	2	\$37.39	\$95.35	
A1d - A4	FRMASMB16068	HORIZONTAL STEM SUPPORT,ASSY,20"W-24"W,14" CENTERS,SYNERGY SEAT,D-1220-041	2	\$37.39	\$95.35	
A1a	DWR1220D034	HORIZONTAL STEM SUPPORT,10"W-14"W,14" CENTERS,SYNERGY	1	N/A	N/A	
A1b	DWR1220D035	HORIZONTAL STEM SUPPORT,14"W-18"W,14" CENTERS,SYNERGY	1	N/A	N/A	
A1c	DWR1220D036	HORIZONTAL STEM SUPPORT,16"W-20"W,14" CENTERS,SYNERGY	1	N/A	N/A	
A1d	DWR1220D037	HORIZONTAL STEM SUPPORT,20"W-24"W,14" CENTERS,SYNERGY	1	N/A	N/A	
A2	DWR1360B021	SEAT PAN STAND-OFF,SYNERGY SEAT,B-1360-021	1	N/A	N/A	
A3	NUTNYLK1001	NUT,NYLOCK,BLACK ZINC,10-32	1	\$1.16	\$2.96	
A4	SCRASBH1101	SCREW,BHSCS,BLACK ZINC,10-32 X 1.75"	1	\$1.1	\$2.81	
B1	DWR1220C024	SPACER,COPED,BLACK,SYNERGY SEAT,C-1220-024	2	\$3.76	\$9.58	
C1	SCRSHCS1356	SCREW,SHCS,BLACK ZINC,M10-1.5 X 30MM,LOW HEAD,W/PATCH	2	\$1.1	\$2.81	
D1 - D4	FRMASMB4657	STEM MOUNT PLATE,ASSY,SYNERGY SEAT,B-1360-002	4	\$9.49	\$24.19	
D1	DWR1360B009	MOUNTING BRACKET,STEM MOUNT PLATE,SYNERGY SEAT	1	N/A	N/A	
D2	SCRHHCS1246	SCREW,HHCS,BLACK ZINC,5/16-18 X 1.25",GR 8,W/PATCH	2	\$1.1	\$2.81	
D3	DWR1600A052	SPACER,BLACK ZINC,STEEL,0.328" ID X 0.50" OD X 0.20" TH	2	\$1.15	\$2.92	
D4	DWR1005B215	T-NUT,BLACK,5/16-18 X 2.75",W/3 HOLES,0.74" TH,B-1005-215	1	\$2.65	\$6.75	



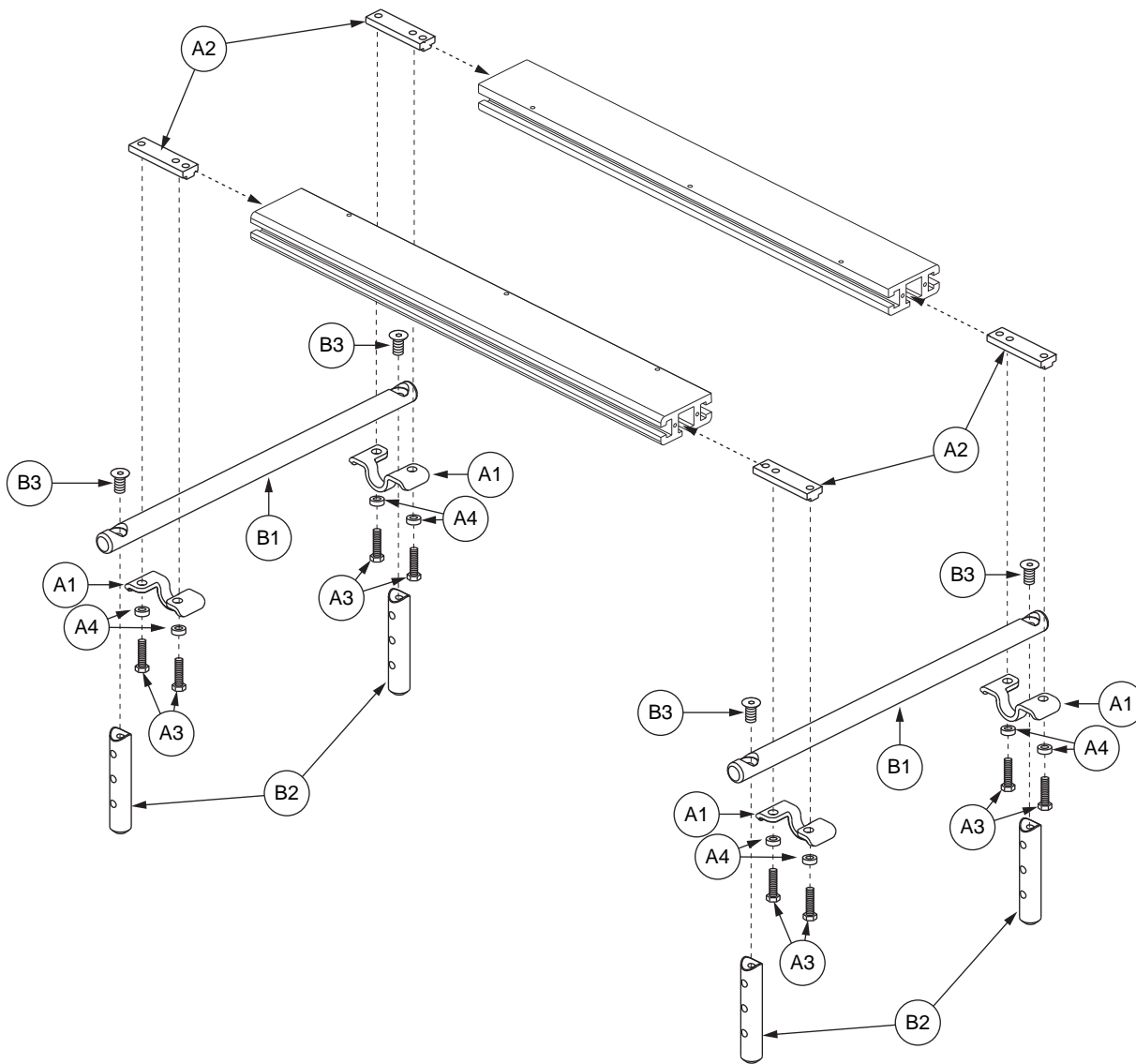
The quantities listed in the parts list represent the totals for the front and rear interfaces.

REF #	PART #	DESCRIPTION	QTY	Dealer \$	11i MSRP
A1a - A6	FRMASMB7120014	SEAT INTERFACE MOUNT,ASSY,20"W-24"W,14" CENTERS,QUANTUM1450,SYNERGY SEAT HD	1	\$269.12	\$686.26
A1b - A6	FRMASMB7120015	SEAT INTERFACE MOUNT,ASSY,24"W-26"W,14" CENTERS,QUANTUM1450,SYNERGY SEAT HD	1	\$269.12	\$686.26
A1c - A6	FRMASMB7120019	SEAT INTERFACE MOUNT,ASSY,26"W-28"W,14" CENTERS,QUANTUM1450,SYNERGY SEAT HD	1	\$269.12	\$686.26
A1d - A6	FRMASMB7120020	SEAT INTERFACE MOUNT,ASSY,28"W-30"W,14" CENTERS,QUANTUM1450,SYNERGY SEAT HD	1	\$269.12	\$686.26
A1e - A6	FRMASMB7120021	SEAT INTERFACE MOUNT,ASSY,30"W-32"W,14" CENTERS,QUANTUM1450,SYNERGY SEAT HD	1	\$269.12	\$686.26
A1a/b	FRMASMB17813	FRAME,ASSY,WIDTH ADJUSTING ROD,6.5"D,SYNERGY,C-1220-051	4	\$38.82	\$98.98
A1c/d/e	FRMASMB17814	FRAME,ASSY,WIDTH ADJUSTING ROD,9.5"D,SYNERGY,C-1220-052	4	\$38.82	\$98.98
A2	DWR1220D058	HORIZONTAL STEM SUPPORT,13"W,14" CENTERS,SYNERGY SEAT	2	\$37.36	\$95.27
A3	SCRHHCS1241	SCREW,HHCS,BLACK ZINC,5/16-18 X 0.75",GR 8,W/PATCH	8	\$1.12	\$2.86
A4	SCRHHCS1256	SCREW,HHCS,BLACK ZINC,5/16-18 X 0.625",GR 8,W/PATCH	8	\$1.29	\$3.28
A5	SCRSHFH1099	SCREW,SHFH,BLACK ZINC,M10-1.5 X 25MM,GR 10.9,W/PATCH	4	\$1.12	\$2.86
A6	DWR1360B015	T-NUT,BLACK,5/16-18 X 3", W/2",HOLE SPACING,B-1360-015	4	\$3.45	\$8.79



REF #	PART #	DESCRIPTION	QTY	Dealer \$	11i MSRP
A1a - B4	MEC120262	STEM MOUNT,ASSY,20"W-24"W,14"CENTERS,1" BAR,SYNERGY HD	1	N/A	N/A
A1b - B4	MEC120263	STEM MOUNT,ASSY,24"W-26"W,14"CENTERS,1" BAR,SYNERGY HD	1	N/A	N/A
A1c - B4	MEC120264	STEM MOUNT,ASSY,26"W-28"W,14"CENTERS,1" BAR,SYNERGY HD	1	N/A	N/A
A1a - A6	FRMASMB7110122	HORIZONTAL STEM SUPPORT,ASSY,20-24"W,14"CENTERS,METRIC	1	N/A	N/A
A1b - A6	FRMASMB7110123	HORIZONTAL STEM SUPPORT,ASSY,24-28"W,14"CENTERS,METRIC	1	N/A	N/A
A1c - A6	FRMASMB7110124	HORIZONTAL STEM SUPPORT,ASSY,28-32"W,14"CENTERS,METRIC	1	N/A	N/A
A1a	D1220-047	HORIZONTAL STEM SUPPORT,20"W-24"W,14" CENTERS,SYNERGY	1	N/A	N/A
A1b/c	D1220-048	HORIZONTAL STEM SUPPORT,24"W-28"W,14" CENTERS,SYNERGY	1	N/A	N/A
A2	DWR1360D088	SUPPORT BLOCK,NYLON,HORIZONTAL STEM SUPPORT,D-1360-088	1	N/A	N/A
A3	DWR1220C021	SPACER,COPE,BLACK,SYNERGY SEAT,C-1220-021	2	N/A	N/A
A4	NUTNJAM1028	NUT,NYLOCK JAM,BLACK ZINC,10-32	2	\$1.1	\$2.81
A5	SCRASBH1101	SCREW,BHSCS,BLACK ZINC,10-32 X 1.75"	2	\$1.1	\$2.81
A6	SCRSHCS1356	SCREW,SHCS,BLACK ZINC,M10-1.5 X 30MM,LOW HEAD,W/PATCH	2	\$1.1	\$2.81
B1 - B4	FRMASMB9627	STEM MOUNT PLATE,ASSY,1" BAR,SYNERGY SEAT HD,B-1360-093	1	\$8.07	\$20.58
B1	DWR1360C159	MOUNTING BRACKET,STEM MOUNT PLATE,1" BAR,SYNERGY	1	N/A	N/A
B2	DWR1005B215	T-NUT,BLACK,5/16-18 X 2.75",W/3 HOLES,0.74" TH,B-1005-215	1	\$2.65	\$6.75
B3	SCRHHCS1246	SCREW,HHCS,BLACK ZINC,5/16-18 X 1.25",GR 8,W/PATCH	2	\$1.1	\$2.81
B4	DWR1600A052	SPACER,BLACK ZINC,STEEL,.328" ID X .50" OD X .20" TH	2	\$1.15	\$2.92

II. Stem Mount Assembly — 14.322” Centers, 10”-14” Width

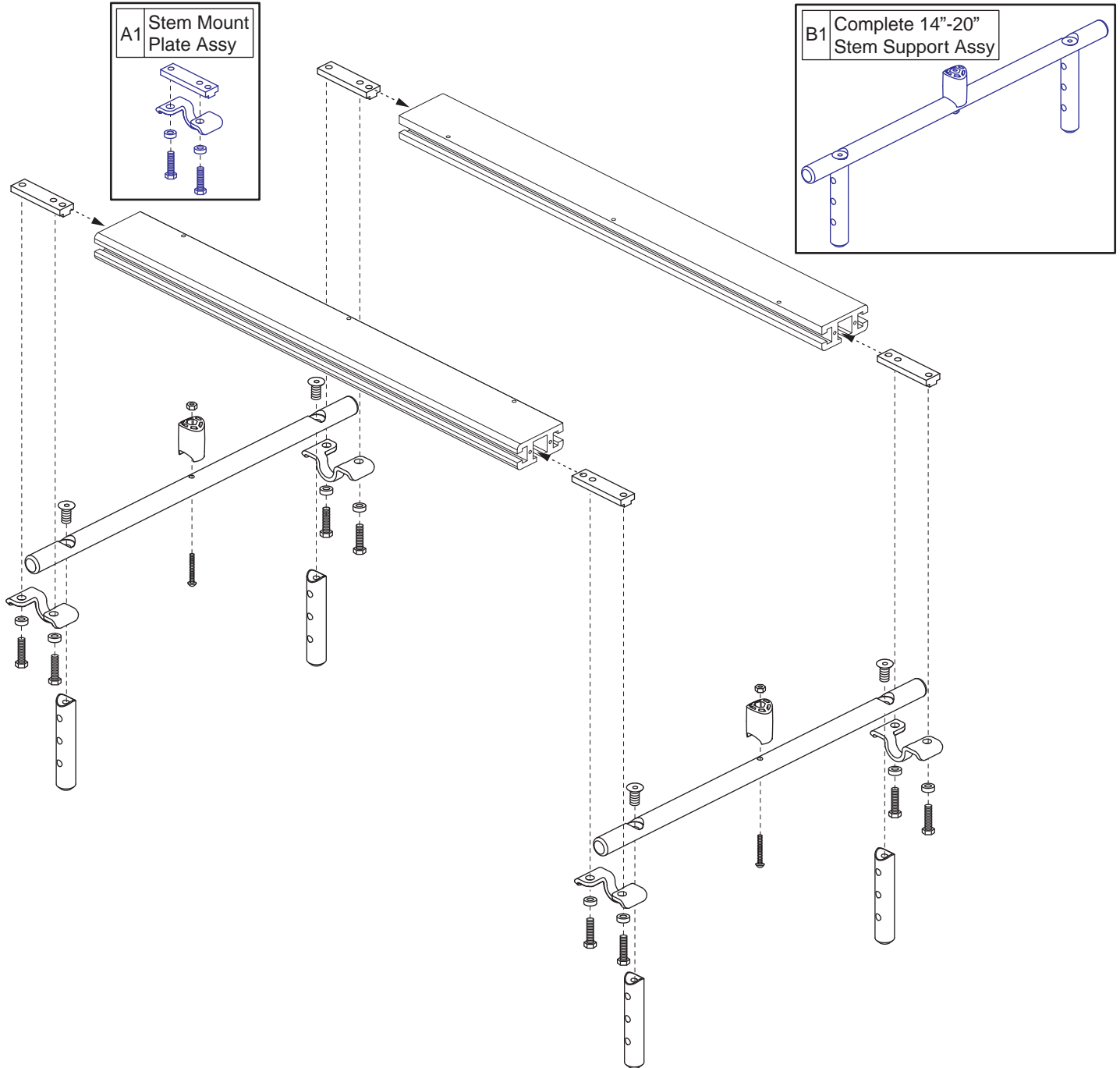


REF #	PART #	DESCRIPTION	QTY	Dealer \$	11i MSRP
A1 - B3	FRMASMB4808	STEM MOUNT,ASSY,10"W-14"W,14.322" CENTERS,SYNERGY SEAT	1	\$87.1	\$222.1
A1 - A4	FRMASMB4657	STEM MOUNT PLATE,ASSY,SYNERGY SEAT,B-1360-002	4	\$9.49	\$24.19
A1	DWR1360B009	MOUNTING BRACKET,STEM MOUNT PLATE,SYNERGY SEAT	1	N/A	N/A
A2	DWR1005B215	T-NUT,BLACK,5/16-18 X 2.75",W/3 HOLES,0.74" TH,B-1005-215	1	\$2.65	\$6.75
A3	SCRHHCS1246	SCREW,HHCS,BLACK ZINC,5/16-18 X 1.25",GR 8,W/PATCH	2	\$1.1	\$2.81
A4	DWR1600A052	SPACER,BLACK ZINC,STEEL,0.328" ID X 0.50" OD X 0.20" TH	2	\$1.15	\$2.92
B1 - B3	FRMASMB6467	HORIZONTAL STEM SUPPORT,ASSY,10"W-14"W,14.322" CENTERS,3-HOLE,SYNERGY SEAT,C-1360-118	2	\$31.97	\$81.53
B1	DWR1360D019	HORIZONTAL STEM SUPPORT,10"W-16"W,14.322" CENTERS,SYNERGY SEAT,D-1360-019	1	N/A	N/A
B2	DWR1360B020	VERTICAL STEM SUPPORT,3-HOLE,SYNERGY SEAT,B-1360-020	2	N/A	N/A
B3	SCRSHFH1071	SCREW,SHFH,BLACK ZINC,5/16-18 X 0.875",GR 8,W/PATCH	2	\$1.1	\$2.81

II. Stem Mount Assembly — 14.322” Centers, 14”-20” Width

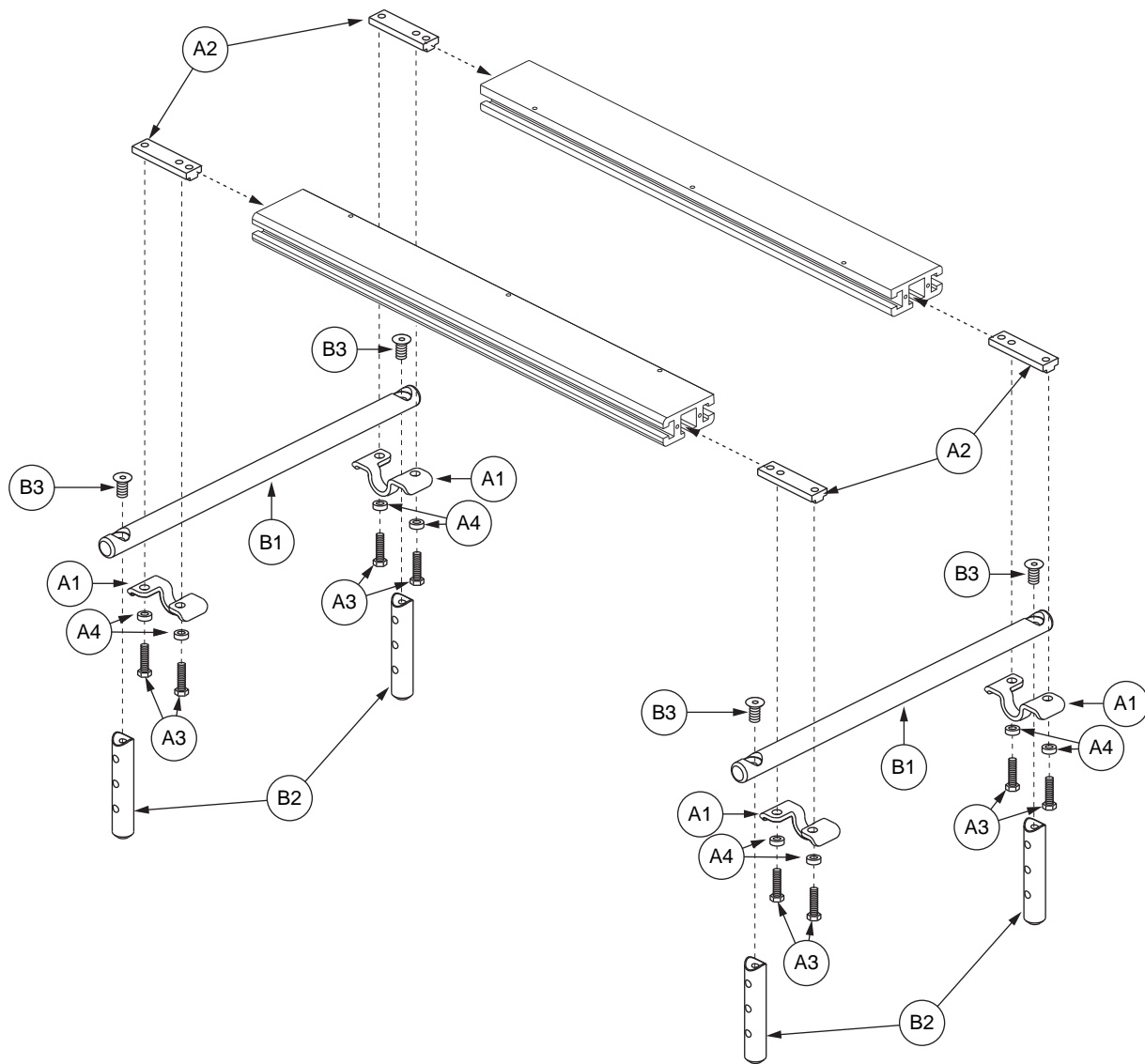


Individual components are not available for replacement. The entire assembly must be selected.



REF #	PART #	DESCRIPTION	QTY	Dealer \$	11i MSRP
A1	FRMASMB4657	STEM MOUNT PLATE,ASSY,SYNERGY SEAT,B-1360-002	1	\$9.49	\$24.19
B1	FRMASMB6468	HORIZONTAL STEM SUPPORT,ASSY,14"W-20"W,14.322"CENTERS	1	\$37.04	\$94.46

II. Stem Mount Assembly — 13.625" Centers, 10"-14" Width

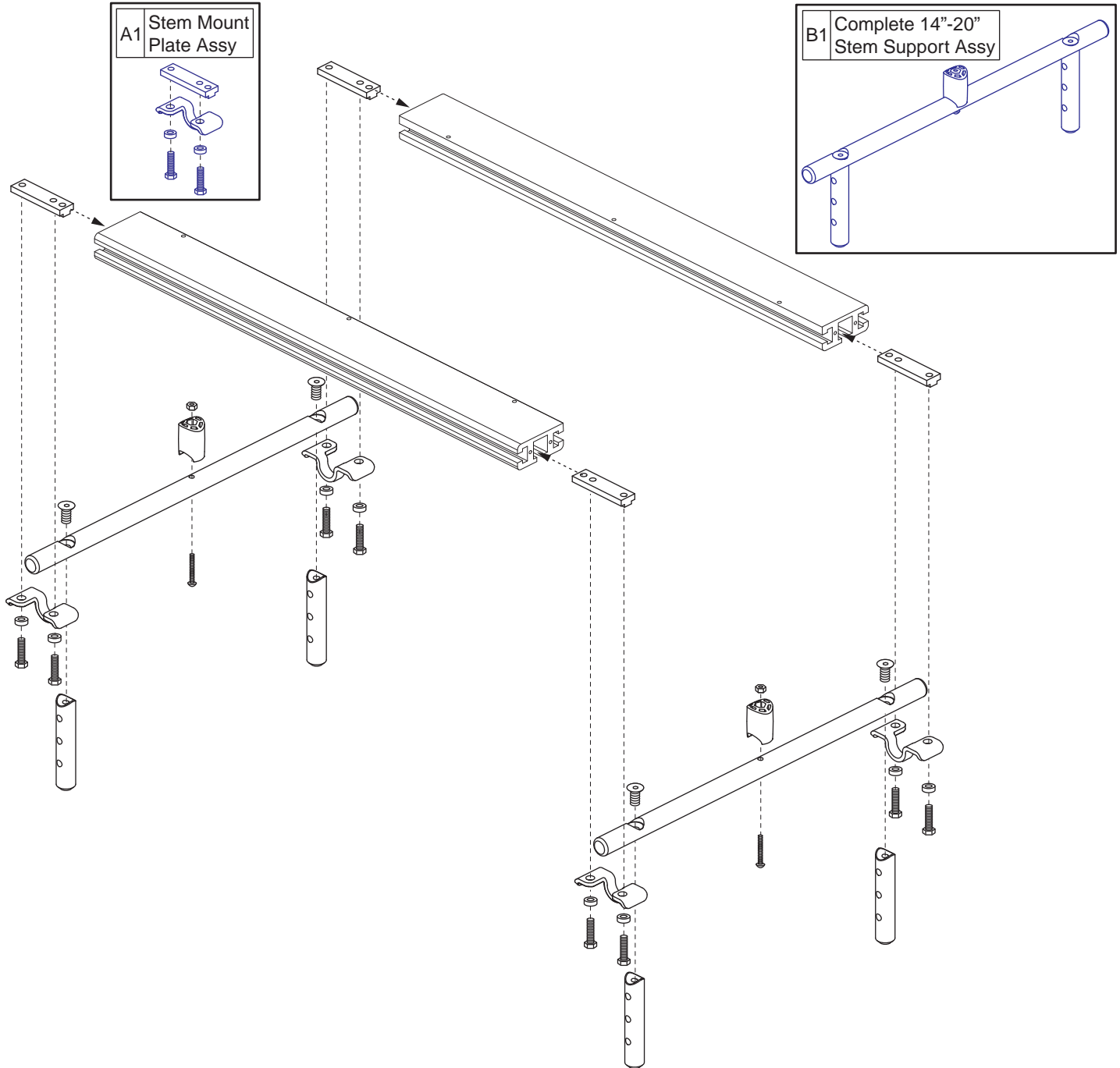


REF #	PART #	DESCRIPTION	QTY	Dealer \$	MSRP	11i
A1 - B3	FRMASMB4811	STEM MOUNT,ASSY,10"W-14"W,13.625" CENTERS,SYNERGY SEAT	1	\$73.87	\$188.36	
A1 - A4	FRMASMB4657	STEM MOUNT PLATE,ASSY,SYNERGY SEAT,B-1360-002	4	\$9.49	\$24.19	
A1	DWR1360B009	MOUNTING BRACKET,STEM MOUNT PLATE,SYNERGY SEAT	1	N/A	N/A	
A2	DWR1005B215	T-NUT,BLACK,5/16-18 X 2.75",W/3 HOLES,0.74" TH,B-1005-215	1	\$2.65	\$6.75	
A3	SCRHHCS1246	SCREW,HHCS,BLACK ZINC,5/16-18 X 1.25",GR 8,W/PATCH	2	\$1.1	\$2.81	
A4	DWR1600A052	SPACER,BLACK ZINC,STEEL,0.328" ID X 0.50" OD X 0.20" TH	2	\$1.15	\$2.92	
B1 - B3	FRMASMB4675	HORIZONTAL STEM SUPPORT,ASSY,10"W-16"W,13.625" CENTERS,3-HOLE,SYNERGY SEAT,C-1360-044	2	\$31.97	\$81.53	
B1	DWR1360D020	HORIZONTAL STEM SUPPORT,10"W-16"W,13.625" CENTERS,SYNERGY SEAT,D-1360-020	1	\$11.03	\$28.11	
B2	DWR1360B020	VERTICAL STEM SUPPORT,3-HOLE,SYNERGY SEAT,B-1360-020	2	N/A	N/A	
B3	SCRSHFH1071	SCREW,SHFH,BLACK ZINC,5/16-18 X 0.875",GR 8,W/PATCH	2	\$1.1	\$2.81	

II. Stem Mount Assembly — 13.625” Centers, 14”-20” Width

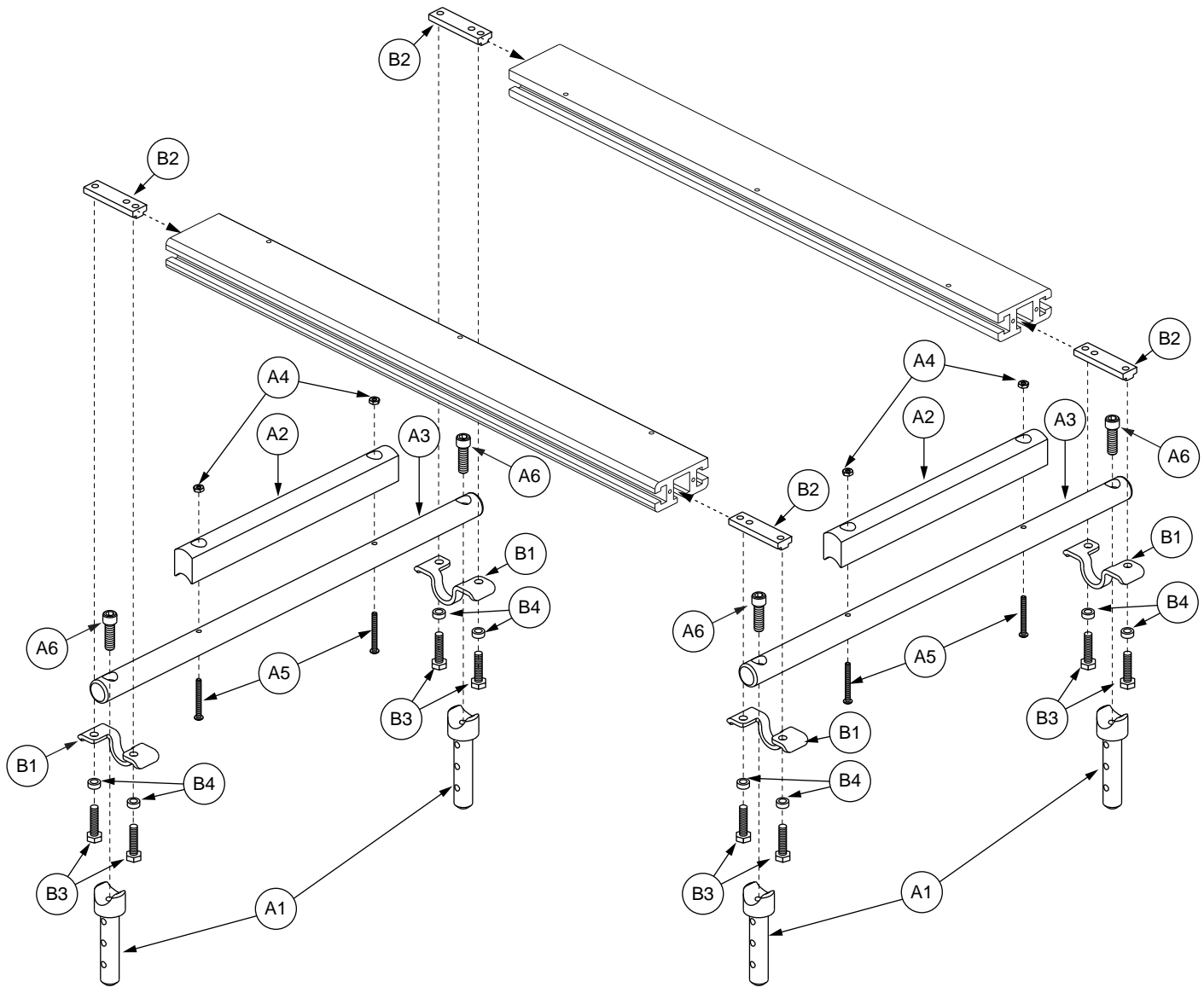


Individual components are not available for replacement. The entire assembly must be selected.



REF #	PART #	DESCRIPTION	QTY	Dealer \$	11i MSRP
A1	FRMASMB4657	STEM MOUNT PLATE,ASSY,SYNERGY SEAT,B-1360-002	1	\$9.49	\$24.19
B1	FRMASMB4677	HORIZONTAL STEM SUPPORT,ASSY,14"W-20"W,13.625"CENTERS	1	\$40.79	\$104.02

II. Stem Mount Assembly — J/Q 1650, HD Synergy Seat, 20”-24” Width

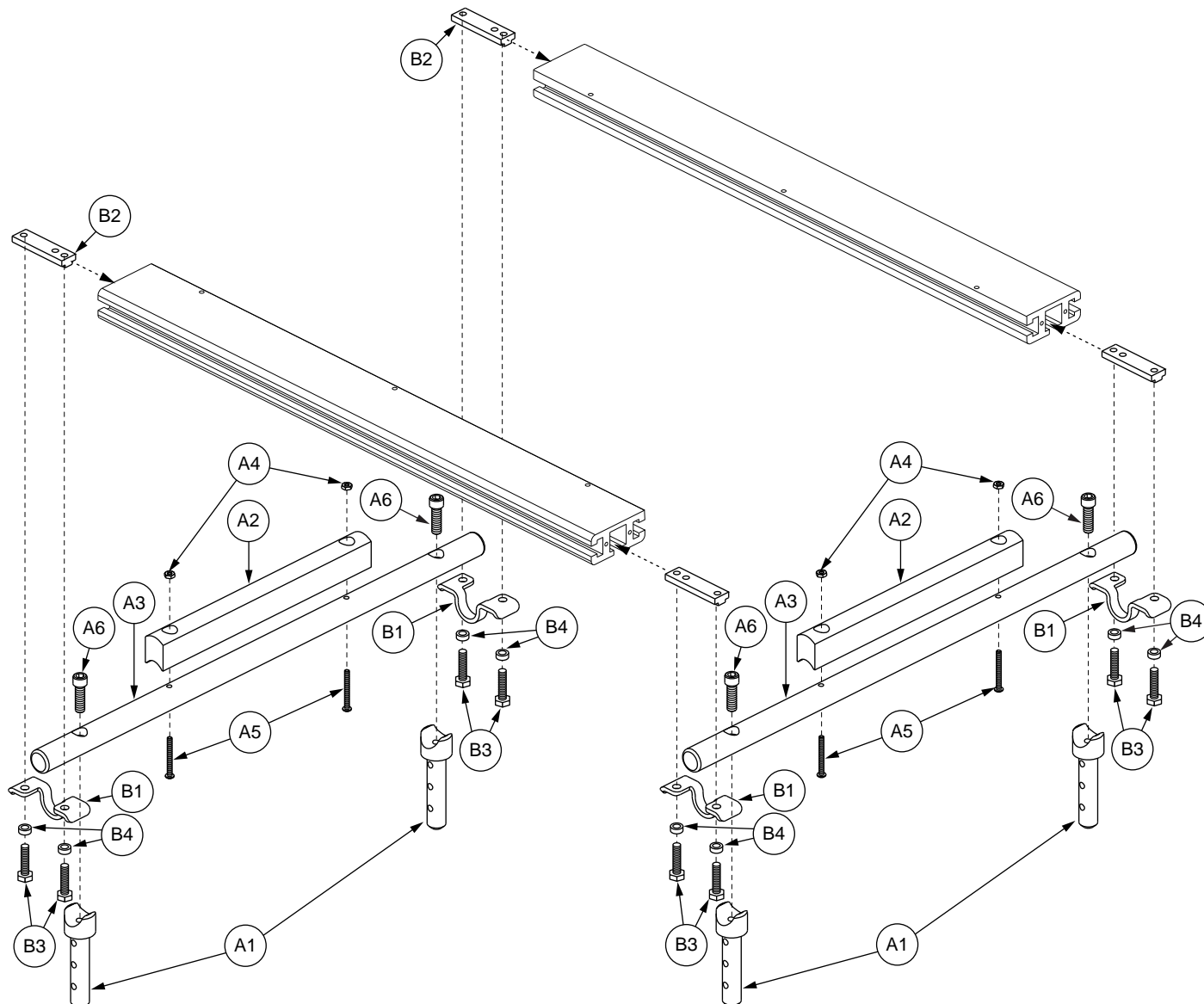


REF #	PART #	DESCRIPTION	QTY	Dealer \$	11i MSRP
A1 - B4	FRMASMB9862	STEM MOUNT,ASSY,20"W-24"W,20.125" CENTERS,1" BAR,SYNERGY SEAT HD	1	\$221.21	\$564.09
A1 - A6	FRMASMB9599	HORIZONTAL STEM SUPPORT,ASSY,20"W-24"W,20.125" CENTERS,1" BAR,SYNERGY SEAT HD,E-1360-221	2	\$87.13	\$222.19
A1	DWR1360C160	VERTICAL STEM SUPPORT,3-HOLE,SYNERGY SEAT HD,C-1360-160	2	N/A	N/A
A2	DWR1360D088	SUPPORT BLOCK,NYLON,HORIZONTAL STEM SUPPORT,D-1360-088	1	N/A	N/A
A3	DWR1360E224	HORIZONTAL STEM SUPPORT,20"W-24"W,20.125" CENTERS,1" BAR,SYNERGY SEAT HD,E-1360-224	1	N/A	N/A
A4	NUTNJAM1028	NUT,NYLOCK JAM,BLACK ZINC,10-32	2	\$1.1	\$2.81
A5	SCRASBH1101	SCREW,BHSCS,BLACK ZINC,10-32 X 1.75"	2	\$1.1	\$2.81
A6	SCRSHCS1218	SCREW,SHCS,BLACK ZINC,3/8-16 X 1.25",GRADE 8	2	\$1.1	\$2.81
B1 - B4	FRMASMB9627	STEM MOUNT PLATE,ASSY,1" BAR,SYNERGY SEAT HD,B-1360-093	4	\$8.07	\$20.58
B1	DWR1360C159	MOUNTING BRACKET,STEM MOUNT PLATE,1" BAR,SYNERGY SEAT	1	N/A	N/A
B2	DWR1005B215	T-NUT,BLACK,5/16-18 X 2.75",W/3 HOLES,0.74" TH,B-1005-215	1	\$2.65	\$6.75
B3	SCRHHCS1246	SCREW,HHCS,BLACK ZINC,5/16-18 X 1.25",GR 8,W/PATCH	2	\$1.1	\$2.81
B4	DWR1600A052	SPACER,BLACK ZINC,STEEL,0.328" ID X 0.50" OD X 0.20" TH	2	\$1.15	\$2.92

Notes :

This assembly replaces previous generations of HD Synergy Seat stem mount assemblies. Old parts are obsolete and will need to be replaced with this new assembly.

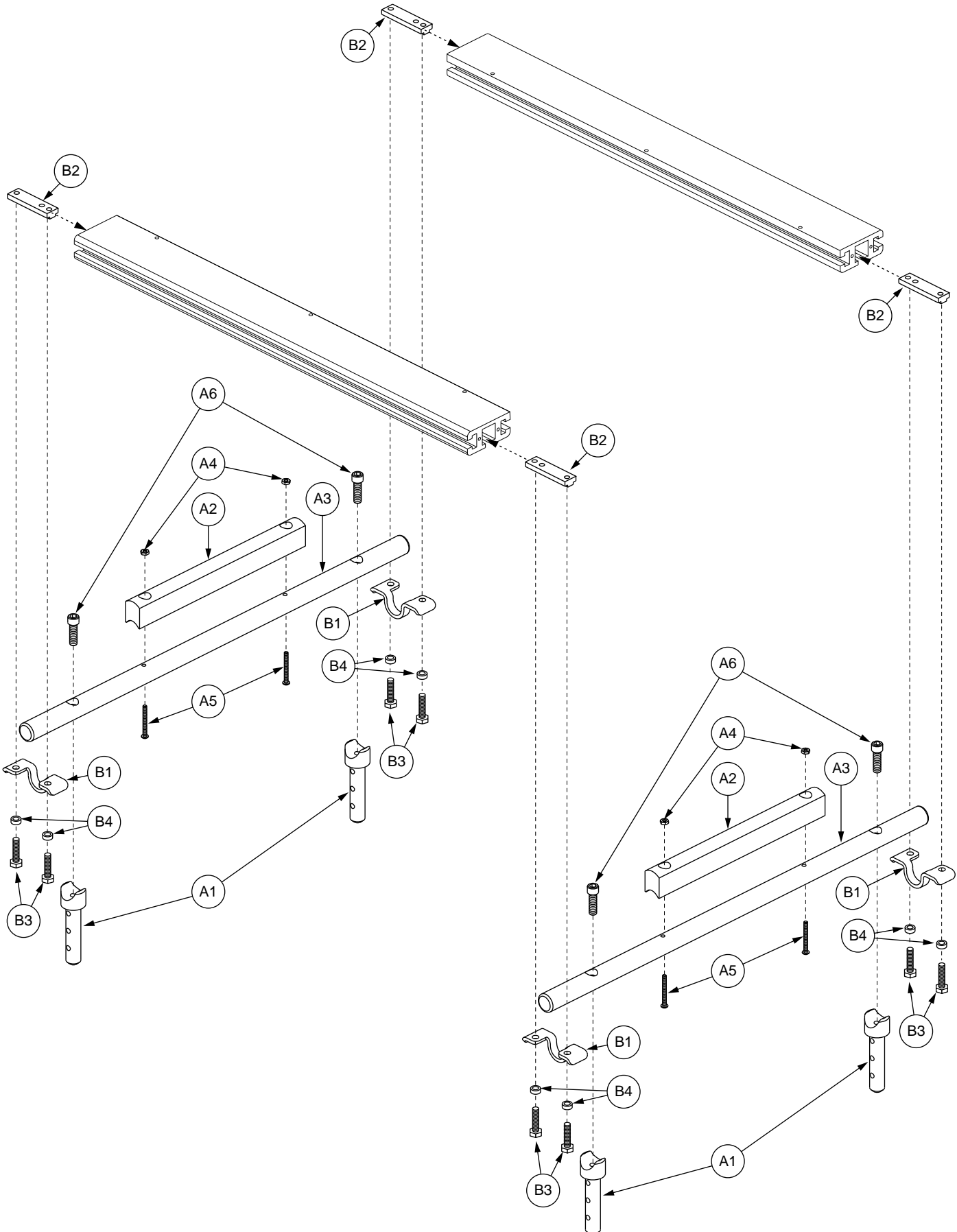
II. Stem Mount Assembly — J/Q 1650, HD Synergy Seat, 24”-26” Width



REF #	PART #	DESCRIPTION	QTY	Dealer \$	MSRP	11i
A1 - B4	FRMASMB9863	STEM MOUNT,ASSY,24"W-26"W,20.125" CENTERS,1" BAR,SYNERGY SEAT HD	1	\$224.27	\$571.89	
A1 - A6	FRMASMB9600	HORIZONTAL STEM SUPPORT,ASSY,24"W-26"W,20.125" CENTERS,1" BAR,SYNERGY SEAT HD,E-1360-222	2	\$88.56	\$225.83	
A1	DWR1360C160	VERTICAL STEM SUPPORT,3-HOLE,SYNERGY SEAT HD,C-1360-160	2	N/A	N/A	
A2	DWR1360D088	SUPPORT BLOCK,NYLON,HORIZONTAL STEM SUPPORT,D-1360-088	1	N/A	N/A	
A3	DWR1360E225	HORIZONTAL STEM SUPPORT,24"W-26"W,20.125" CENTERS,1" BAR,SYNERGY SEAT HD,E-1360-225	1	N/A	N/A	
A4	NUTNJAM1028	NUT,NYLOCK JAM,BLACK ZINC,10-32	2	\$1.1	\$2.81	
A5	SCRASBH1101	SCREW,BHSCS,BLACK ZINC,10-32 X 1.75"	2	\$1.1	\$2.81	
A6	SCRSHCS1218	SCREW,SHCS,BLACK ZINC,3/8-16 X 1.25",GRADE 8	2	\$1.1	\$2.81	
B1 - B4	FRMASMB9627	STEM MOUNT PLATE,ASSY,1" BAR,SYNERGY SEAT HD,B-1360-093	4	\$8.07	\$20.58	
B1	DWR1360C159	MOUNTING BRACKET,STEM MOUNT PLATE,1" BAR,SYNERGY SEAT	1	N/A	N/A	
B2	DWR1005B215	T-NUT,BLACK,5/16-18 X 2.75",W/3 HOLES,0.74" TH,B-1005-215	1	\$2.65	\$6.75	
B3	SCRHHCS1246	SCREW,HHCS,BLACK ZINC,5/16-18 X 1.25",GR 8,W/PATCH	2	\$1.1	\$2.81	
B4	DWR1600A052	SPACER,BLACK ZINC,STEEL,0.328" ID X 0.50" OD X 0.20" TH	2	\$1.15	\$2.92	

Notes :

This assembly replaces previous generations of HD Synergy Seat stem mount assemblies. Old parts are obsolete and will need to be replaced with this new assembly.



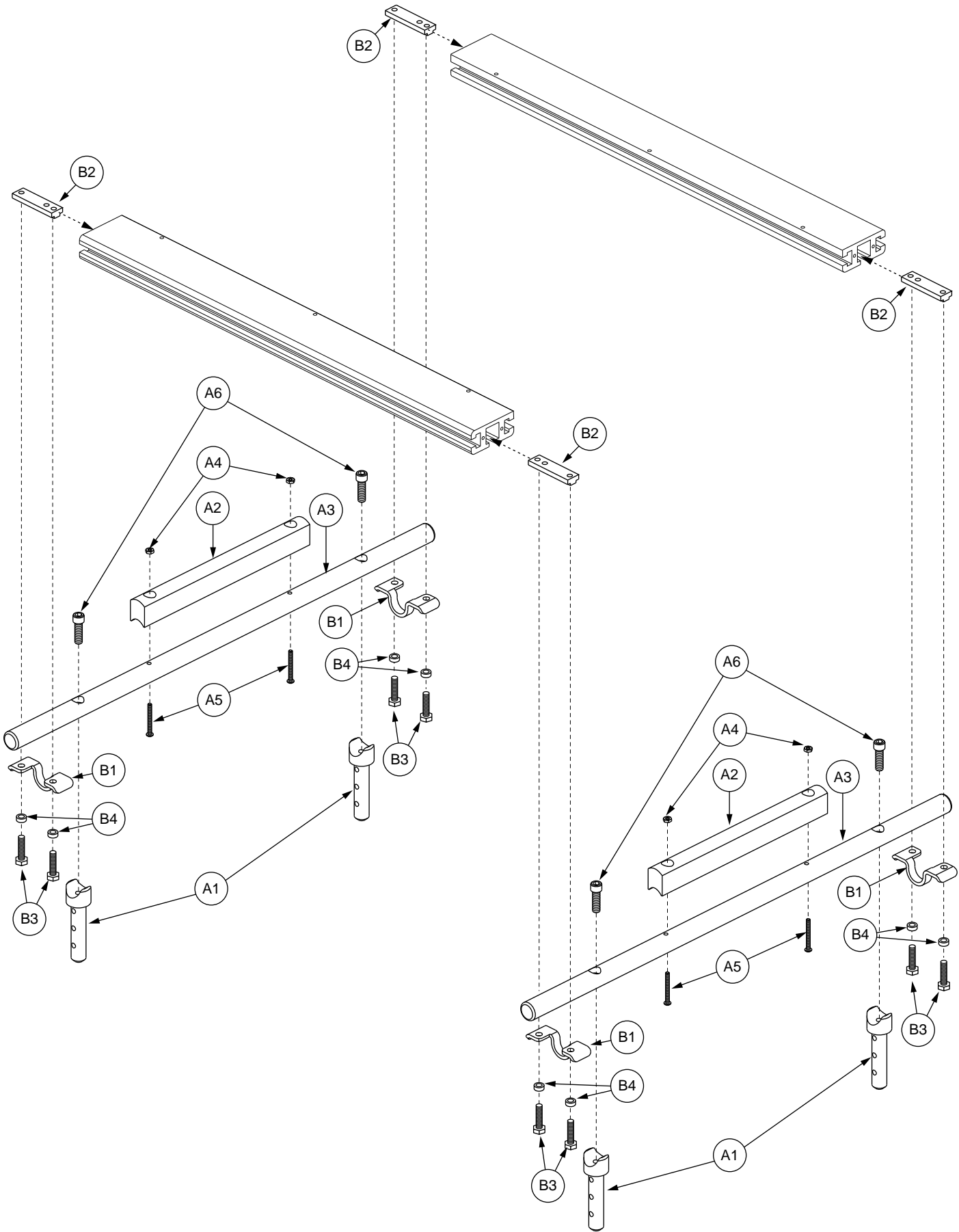
II. Stem Mount Assembly — J/Q 1650, HD Synergy Seat, 26”-28”



REF #	PART #	DESCRIPTION	QTY	Dealer \$	11i MSRP
A1 - B4	FRMASMB9864	STEM MOUNT,ASSY,26"W-28"W,20.125" CENTERS,1" BAR,SYNERGY SEAT HD	1	\$226.65	\$577.97
A1 - A6	FRMASMB9601	HORIZONTAL STEM SUPPORT,ASSY,26"W-28"W,20.125" CENTERS,1" BAR,SYNERGY SEAT HD,E-1360-219	2	\$89.67	\$228.67
A1	DWR1360C160	VERTICAL STEM SUPPORT,3-HOLE,SYNERGY SEAT HD,C-1360-160	2	N/A	N/A
A2	DWR1360D088	SUPPORT BLOCK,NYLON,HORIZONTAL STEM SUPPORT,D-1360-088	1	N/A	N/A
A3	DWR1360E217	HORIZONTAL STEM SUPPORT,26"W-28"W,20.125" CENTERS,1" BAR,SYNERGY SEAT HD,E-1360-217	1	N/A	N/A
A4	NUTNJAM1028	NUT,NYLOCK JAM,BLACK ZINC,10-32	2	\$1.1	\$2.81
A5	SCRASBH1101	SCREW,BHSCS,BLACK ZINC,10-32 X 1.75"	2	\$1.1	\$2.81
A6	SCRSHCS1218	SCREW,SHCS,BLACK ZINC,3/8-16 X 1.25",GRADE 8	2	\$1.1	\$2.81
B1 - B4	FRMASMB9627	STEM MOUNT PLATE,ASSY,1" BAR,SYNERGY SEAT HD,B-1360-093	4	\$8.07	\$20.58
B1	DWR1360C159	MOUNTING BRACKET,STEM MOUNT PLATE,1" BAR,SYNERGY SEAT	1	N/A	N/A
B2	DWR1005B215	T-NUT,BLACK,5/16-18 X 2.75",W/3 HOLES,0.74" TH,B-1005-215	1	\$2.65	\$6.75
B3	SCRHHCS1246	SCREW,HHCS,BLACK ZINC,5/16-18 X 1.25",GR 8,W/PATCH	2	\$1.1	\$2.81
B4	DWR1600A052	SPACER,BLACK ZINC,STEEL,0.328" ID X 0.50" OD X 0.20" TH	2	\$1.15	\$2.92

Notes :

This assembly replaces previous generations of HD Synergy Seat stem mount assemblies. Old parts are obsolete and will need to be replaced with this new assembly.



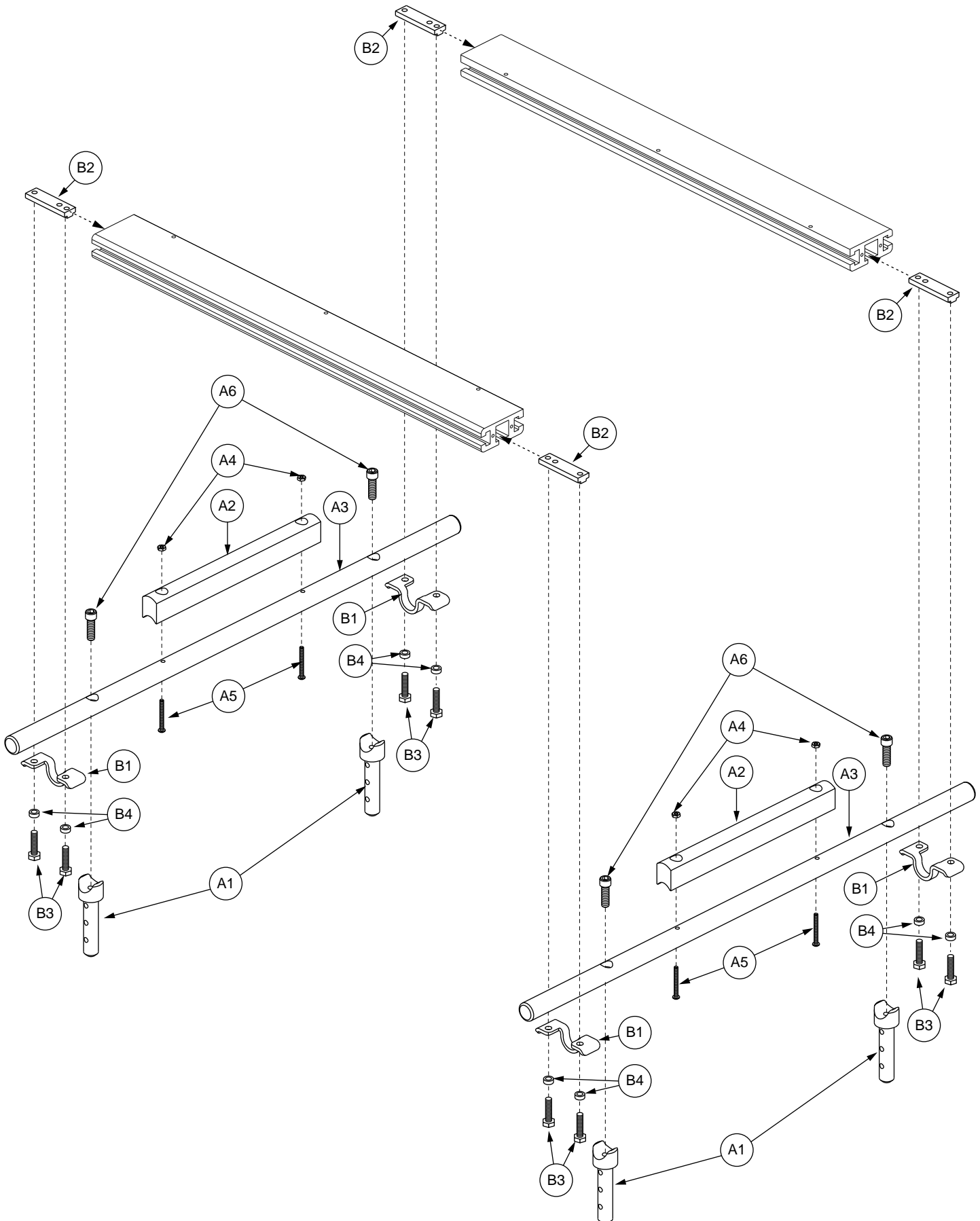
II. Stem Mount Assembly — J/Q 1650, HD Synergy Seat, 28”-30”



REF #	PART #	DESCRIPTION	QTY	Dealer \$	11i MSRP
A1 - B4	FRMASMB9865	STEM MOUNT,ASSY,28"W-30"W,20.125" CENTERS,1" BAR,SYNERGY SEAT HD	1	\$229.09	\$584.19
A1 - A6	FRMASMB9602	HORIZONTAL STEM SUPPORT,ASSY,28"W-30"W,20.125" CENTERS,1" BAR,SYNERGY SEAT HD,E-1360-223	2	\$90.81	\$231.57
A1	DWR1360C160	VERTICAL STEM SUPPORT,3-HOLE,SYNERGY SEAT HD,C-1360-160	2	N/A	N/A
A2	DWR1360D088	SUPPORT BLOCK,NYLON,HORIZONTAL STEM SUPPORT,D-1360-088	1	N/A	N/A
A3	DWR1360E226	HORIZONTAL STEM SUPPORT,28"W-30"W,20.125" CENTERS,1" BAR,SYNERGY SEAT HD,E-1360-226	1	N/A	N/A
A4	NUTNJAM1028	NUT,NYLOCK JAM,BLACK ZINC,10-32	2	\$1.1	\$2.81
A5	SCRASBH1101	SCREW,BHSCS,BLACK ZINC,10-32 X 1.75"	2	\$1.1	\$2.81
A6	SCRSHCS1218	SCREW,SHCS,BLACK ZINC,3/8-16 X 1.25",GRADE 8	2	\$1.1	\$2.81
B1 - B4	FRMASMB9627	STEM MOUNT PLATE,ASSY,1" BAR,SYNERGY SEAT HD,B-1360-093	4	\$8.07	\$20.58
B1	DWR1360C159	MOUNTING BRACKET,STEM MOUNT PLATE,1" BAR,SYNERGY SEAT	1	N/A	N/A
B2	DWR1005B215	T-NUT,BLACK,5/16-18 X 2.75",W/3 HOLES,0.74" TH,B-1005-215	1	\$2.65	\$6.75
B3	SCRHHCS1246	SCREW,HHCS,BLACK ZINC,5/16-18 X 1.25",GR 8,W/PATCH	2	\$1.1	\$2.81
B4	DWR1600A052	SPACER,BLACK ZINC,STEEL,0.328" ID X 0.50" OD X 0.20" TH	2	\$1.15	\$2.92

Notes :

This assembly replaces previous generations of HD Synergy Seat stem mount assemblies. Old parts are obsolete and will need to be replaced with this new assembly.



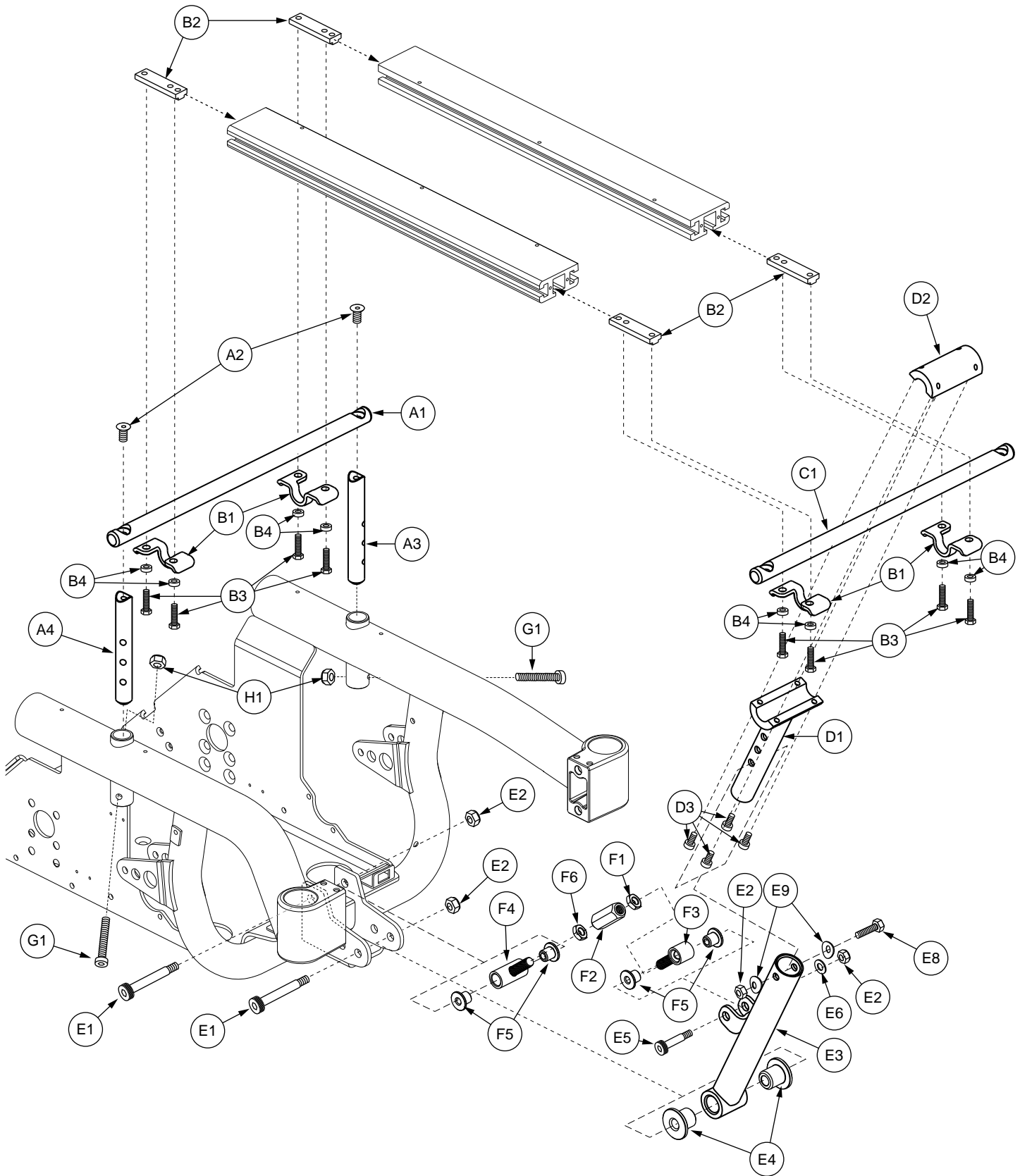
II. Stem Mount Assembly — J/Q 1650, HD Synergy Seat, 30”-32”



REF #	PART #	DESCRIPTION	QTY	Dealer \$	MSRP	11i
A1 - B4	FRMASMB9866	STEM MOUNT,ASSY,30"W-32"W,20.125" CENTERS,1" BAR,SYNERGY SEAT HD	1	\$228.82	\$583.5	
A1 - A6	FRMASMB9603	HORIZONTAL STEM SUPPORT,ASSY,30"W-32"W,20.125" CENTERS,1" BAR,SYNERGY SEAT HD,E-1360-220	2	\$92.82	\$236.69	
A1	DWR1360C160	VERTICAL STEM SUPPORT,3-HOLE,SYNERGY SEAT HD,C-1360-160	2	N/A	N/A	
A2	DWR1360D088	SUPPORT BLOCK,NYLON,HORIZONTAL STEM SUPPORT,D-1360-088	1	N/A	N/A	
A3	DWR1360E218	HORIZONTAL STEM SUPPORT,30"W-32"W,20.125" CENTERS,1" BAR,SYNERGY SEAT HD,E-1360-218	1	N/A	N/A	
A4	NUTNJAM1028	NUT,NYLOCK JAM,BLACK ZINC,10-32	2	\$1.1	\$2.81	
A5	SCRASBH1101	SCREW,BHSCS,BLACK ZINC,10-32 X 1.75"	2	\$1.1	\$2.81	
A6	SCRSHCS1218	SCREW,SHCS,BLACK ZINC,3/8-16 X 1.25",GRADE 8	2	\$1.1	\$2.81	
B1 - B4	FRMASMB9627	STEM MOUNT PLATE,ASSY,1" BAR,SYNERGY SEAT HD,B-1360-093	4	\$8.07	\$20.58	
B1	DWR1360C159	MOUNTING BRACKET,STEM MOUNT PLATE,1" BAR,SYNERGY SEAT	1	N/A	N/A	
B2	DWR1005B215	T-NUT,BLACK,5/16-18 X 2.75",W/3 HOLES,0.74" TH	1	\$2.65	\$6.75	
B3	SCRHHCS1246	SCREW,HHCS,BLACK ZINC,5/16-18 X 1.25",GR 8,W/PATCH	2	\$1.1	\$2.81	
B4	DWR1600A052	SPACER,BLACK ZINC,STEEL,0.328" ID X 0.50" OD X 0.20" TH	2	\$1.15	\$2.92	

Notes :

This assembly replaces previous generations of HD Synergy Seat stem mount assemblies. Old parts are obsolete and will need to be replaced with this new assembly.



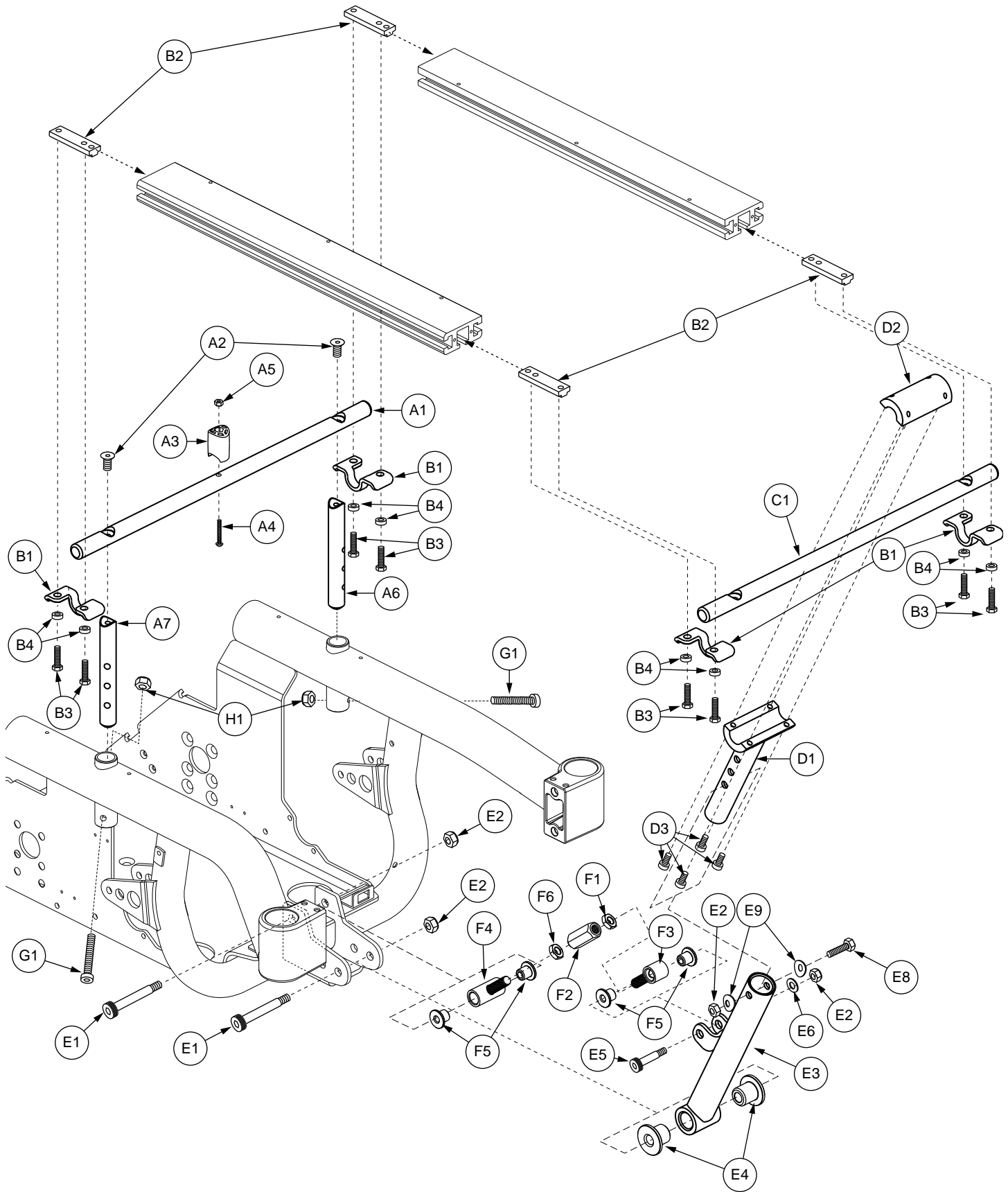
II. Stem Mount Assembly — Vibe, 10"-14" Width



REF #	PART #	DESCRIPTION	QTY	Dealer \$	MSRP	11i
A1 - H1	FRMASMB6191	STEM MOUNT,ASSY,10"W-14"W,14.322" CENTERS,SYNERGY,VIBE	1	N/A	N/A	
A1 - A4	FRMASMB6114	HORIZONTAL STEM SUPPORT,ASSY,10"W-14"W,14.322" CENTERS,SYNERGY SEAT,REAR,VIBE,C-1360-126	1	N/A	N/A	
A1	DWR1360D019	HORIZONTAL STEM SUPPORT,10"W-16"W,14.322" CENTERS,SYNERGY	1	N/A	N/A	
A2	SCRSHFH1068	SCREW,SHFH,BLACK ZINC,5/16-18 X 1.00",GR 8,W/PATCH	2	\$1.12	\$2.86	
A3	DWR1360C124	VERTICAL STEM SUPPORT,3 HOLE,SYNERGY SEAT,VIBE,LEFT	1	N/A	N/A	
A4	DWR1360C125	VERTICAL STEM SUPPORT,3 HOLE,SYNERGY SEAT,VIBE,RIGHT	1	N/A	N/A	
B1 - B4	FRMASMB4657	STEM MOUNT PLATE,ASSY,SYNERGY SEAT,B-1360-002	4	\$9.49	\$24.19	
B1	DWR1360B009	MOUNTING BRACKET,STEM MOUNT PLATE,SYNERGY SEAT	1	N/A	N/A	
B2	DWR1005B215	T-NUT,BLACK,5/16-18 X 2.75",W/3 HOLES,0.74" TH	1	\$2.65	\$6.75	
B3	SCRHHCS1246	SCREW,HHCS,BLACK ZINC,5/16-18 X 1.25",GR 8,W/PATCH	2	\$1.1	\$2.81	
B4	DWR1600A052	SPACER,BLACK ZINC,STEEL,0.328" ID X 0.50" OD X 0.20" TH	2	\$1.15	\$2.92	
C1 - D3	FRMASMB6197	HORIZONTAL STEM SUPPORT,ASSY,10"W-14"W,14.322" CENTERS,SYNERGY SEAT,FRONT,VIBE	1	N/A	N/A	
C1	DWR1360D019	HORIZONTAL STEM SUPPORT,10"W-16"W,14.322" CENTERS,SYNERGY	1	N/A	N/A	
D1 - D3	FRMASMB6117	TOWER,ASSY,SYNERGY SEAT,FRONT,VIBE,B-1360-077	1	N/A	N/A	
D1	DWR1360C123	TOWER,SEAT TUBE WELDMENT,SYNERGY SEAT,VIBE,C-1360-123	1	N/A	N/A	
D2	DWR1360B075	SEAT TOWER,SPLIT COLLAR,BOTTOM,SYNERGY SEAT,VIBE	1	N/A	N/A	
D3	SCRSHCS1123	SCREW,SHCS,BLACK ZINC,10-32 X 0.75",GRADE 8,W/NYLON PATCH	4	\$1.1	\$2.81	
E1 - F6	FRMASMB5748	SEAT MOUNTING,ASSY,FRONT,VIBE	1	N/A	N/A	
E1	BLTASHL1108	BOLT,SHOULDER,10MM X 55MM,GRADE 12.9	2	\$1.1	\$2.81	
E2	NUTNYLK1011	NUT, NYLOCK,BLACK ZINC,M8-1.25	4	\$1.16	\$2.96	
E3	DWR1505D003	TELESCOPING SEAT TOWER WELDMENT,LOWER,D-1505-003	1	N/A	N/A	
E4	DWR1505A004	BUSHING,FLANGE,NYLON,8.03MM ID X 19.05MM OD 31.8MM FOD X 3.18MM FTH X 2,A-1505-004	2	N/A	N/A	
E5	BLTASHL1109	BOLT,SHOULDER,10MM X 35MM,GRADE 12.9	1	N/A	N/A	
E6	WASMETR1043	WASHER,FLAT,BLACK ZINC,10.5MM ID X 30MM OD X 2.5MM TH	1	\$1.16	\$2.96	
*E7	PROECAP1014	CAP, END,PLASTIC,3/4" X 16GA,ROUND	2	N/A	N/A	
E8	SCRHHCS1298	SCREW,HHCS,BLACK ZINC,M8-1.25 X 50MM,GRADE 10.9	1	\$1.1	\$2.81	
E9	DWR1506A005	WASHER,COPE,BLACK E-COAT,10.5MM ID X 30MM OD X 2.5MM TH	2	N/A	N/A	
F1 - F6	FRMASMB5953	TRUSS,ASSY,B-1505-051	1	N/A	N/A	
F1	NUTJAM1024	NUT,JAM,BLACK ZINC,M10-1.5	1	\$1.1	\$2.81	
F2	DWR1505B050	COUPLING NUT,M10-1.5 TAP X 20MM DEEP X 45MM TOTAL LENGTH,LEFT HAND & RIGHT HAND THREAD,B-1505-050	1	N/A	N/A	
F3	DWR1505C041	TRUSS PIVOT WELDMENT,W/M10-1.5 RIGHT HAND THREADED ROD,UPPER,C-1505-041	1	N/A	N/A	
F4	DWR1505C042	TRUSS PIVOT WELDMENT,W/M10-1.5 LEFT HAND THREADED ROD WELDMENT, LOWER,C-1505-042	1	N/A	N/A	
F5	DWR1505A005	BUSHING,FLANGE,NYLON,8.03MM ID X 12.83MM OD 19.1MM FOD X 3.18MM FTH X 1,A-1505-005	4	N/A	N/A	
F6	NUTJAM1025	NUT,JAM,BLACK ZINC,M10-1.5,LEFT HAND THREAD	1	\$1.1	\$2.81	
G1	SCRALNH1029	SCREW,SHCS,BLACK ZINC,1/4-20 X 1.375"	2	\$1.1	\$2.81	
H1	NUTNYLK1014	NUT, NYLOCK,BLACK ZINC,1/4-20	2	\$1.16	\$2.96	

Notes :

*E7 Not shown.



II. Stem Mount Assembly — Vibe, 14”-20” Width

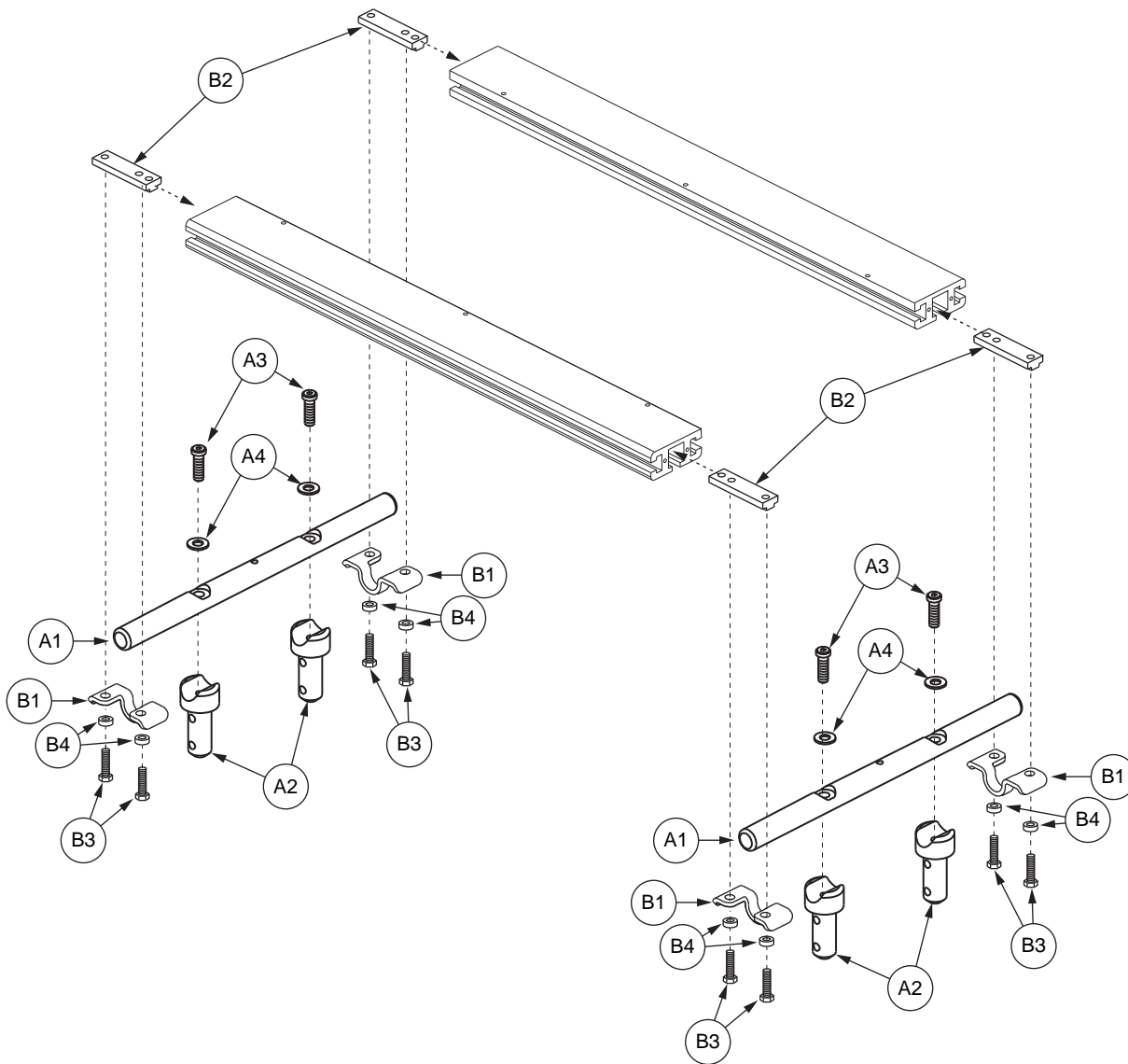


REF #	PART #	DESCRIPTION	QTY	Dealer \$	11i MSRP
*A1 - H1	FRMASMB6217	STEM MOUNT,ASSY,14"W-18"W,14.322" CENTERS,SYNERGY,VIBE	1	N/A	N/A
*A1 - H1	FRMASMB6218	STEM MOUNT,ASSY,16"W-20"W,14.322" CENTERS,SYNERGY,VIBE	1	N/A	N/A
A1 - H1	FRMASMB6192	STEM MOUNT,ASSY,14"W-20"W,14.322" CENTERS,SYNERGY,VIBE	1	N/A	N/A
A1 - A7	FRMASMB6115	STEM SUPPORT,14"-20"W,14.322"CENTERS,SYNERGY,REAR,VIBE	1	N/A	N/A
A1	DWR1360D007	HORIZONTAL STEM SUPPORT,14"W-20"W,14.322" CENTERS,SYNERGY	1	N/A	N/A
A2	SCRSHFH1068	SCREW,SHFH,BLACK ZINC,5/16-18 X 1.00",GR 8,W/PATCH	2	\$1.12	\$2.86
A3	DWR1360B021	SEAT PAN STAND-OFF,SYNERGY SEAT,B-1360-021	1	N/A	N/A
A4	SCRASBH1101	SCREW,BHSCS,BLACK ZINC,10-32 X 1.75"	1	\$1.1	\$2.81
A5	NUTNYLK1001	NUT,NYLOCK,BLACK ZINC,10-32	1	\$1.16	\$2.96
A6	DWR1360C124	VERTICAL STEM SUPPORT,3 HOLE,SYNERGY SEAT,VIBE,LEFT	1	N/A	N/A
A7	DWR1360C125	VERTICAL STEM SUPPORT,3 HOLE,SYNERGY SEAT,VIBE,RIGHT	1	N/A	N/A
B1 - B4	FRMASMB4657	STEM MOUNT PLATE,ASSY,SYNERGY SEAT,B-1360-002	4	\$9.49	\$24.19
B1	DWR1360B009	MOUNTING BRACKET,STEM MOUNT PLATE,SYNERGY SEAT	1	N/A	N/A
B2	DWR1005B215	T-NUT,BLACK,5/16-18 X 2.75",W/3 HOLES,0.74" TH,B-1005-215	1	\$2.65	\$6.75
B3	SCRHHCS1246	SCREW,HHCS,BLACK ZINC,5/16-18 X 1.25",GR 8,W/PATCH	2	\$1.1	\$2.81
B4	DWR1600A052	SPACER,BLACK ZINC,STEEL,0.328" ID X 0.50" OD X 0.20" TH	2	\$1.15	\$2.92
C1 - D3	FRMASMB6198	STEM SUPPORT,14"-20"W,14.322"CENTERS,SYNERGY,FRONT,VIBE	1	N/A	N/A
C1	DWR1360D007	HORIZONTAL STEM SUPPORT,14"-20"W,14.322"CENTERS,SYNERGY	1	N/A	N/A
D1 - D3	FRMASMB6117	TOWER,ASSY,SYNERGY SEAT,FRONT,VIBE,B-1360-077	1	N/A	N/A
D1	DWR1360C123	TOWER,SEAT TUBE WELDMENT,SYNERGY SEAT,VIBE,C-1360-123	1	N/A	N/A
D2	DWR1360B075	SEAT TOWER,SPLIT COLLAR,BOTTOM,SYNERGY SEAT,VIBE	1	N/A	N/A
D3	SCRSHCS1123	SCREW, SHCS,BLACK ZINC,10-32 X 0.75",GRADE 8,W/NYLON PATCH	4	\$1.1	\$2.81
E1 - F6	FRMASMB5748	SEAT MOUNTING,ASSY,FRONT,VIBE	1	N/A	N/A
E1	BLTASHL1108	BOLT,SHOULDER,10MM X 55MM,GRADE 12.9	2	\$1.1	\$2.81
E2	NUTNYLK1011	NUT, NYLOCK,BLACK ZINC,M8-1.25	4	\$1.16	\$2.96
E3	DWR1505D003	TELESCOPING SEAT TOWER WELDMENT,LOWER,D-1505-003	1	N/A	N/A
E4	DWR1505A004	BUSHING,FLANGE,NYLON,8.03MM ID X 19.05MM OD 31.8MM FOD X 3.18MM FTH X 2	2	N/A	N/A
E5	BLTASHL1109	BOLT,SHOULDER,10MM X 35MM,GRADE 12.9	1	N/A	N/A
E6	WASMETR1043	WASHER,FLAT,BLACK ZINC,10.5MM ID X 30MM OD X 2.5MM TH	1	\$1.16	\$2.96
*E7	PROECAP1014	CAP, END,PLASTIC,3/4" X 16GA,ROUND	2	N/A	N/A
E8	SCRHHCS1298	SCREW,HHCS,BLACK ZINC,M8-1.25 X 50MM,GRADE 10.9	1	\$1.1	\$2.81
E9	DWR1506A005	WASHER,COPE,BLACK E-COAT,10.5MM ID X 30MM OD X 2.5MM TH	2	N/A	N/A
F1 - F6	FRMASMB5953	TRUSS,ASSY,B-1505-051	1	N/A	N/A
F1	NUTJAM1024	NUT,JAM,BLACK ZINC,M10-1.5	1	\$1.1	\$2.81
F2	DWR1505B050	COUPLING NUT,M10-1.5 TAP X 20MM DEEP X 45MM LENGTH	1	N/A	N/A
F3	DWR1505C041	TRUSS PIVOT,W/M10-1.5 RIGHT HAND THREADED ROD,UPPER	1	N/A	N/A
F4	DWR1505C042	TRUSS PIVOT,W/M10-1.5 LEFT HAND THREADED ROD,LOWER	1	N/A	N/A
F5	DWR1505A005	BUSHING,FLANGE,NYLON,8.03MM ID X 12.83MM OD 19.1MM FOD X 3.18MM FTH X 1.A-1505-005	4	N/A	N/A
F6	NUTJAM1025	NUT,JAM,BLACK ZINC,M10-1.5,LEFT HAND THREAD	1	\$1.1	\$2.81
G1	SCRALNH1029	SCREW,SHCS,BLACK ZINC,1/4-20 X 1.375"	2	\$1.1	\$2.81
H1	NUTNYLK1014	NUT, NYLOCK,BLACK ZINC,1/4-20	2	\$1.16	\$2.96

Notes :

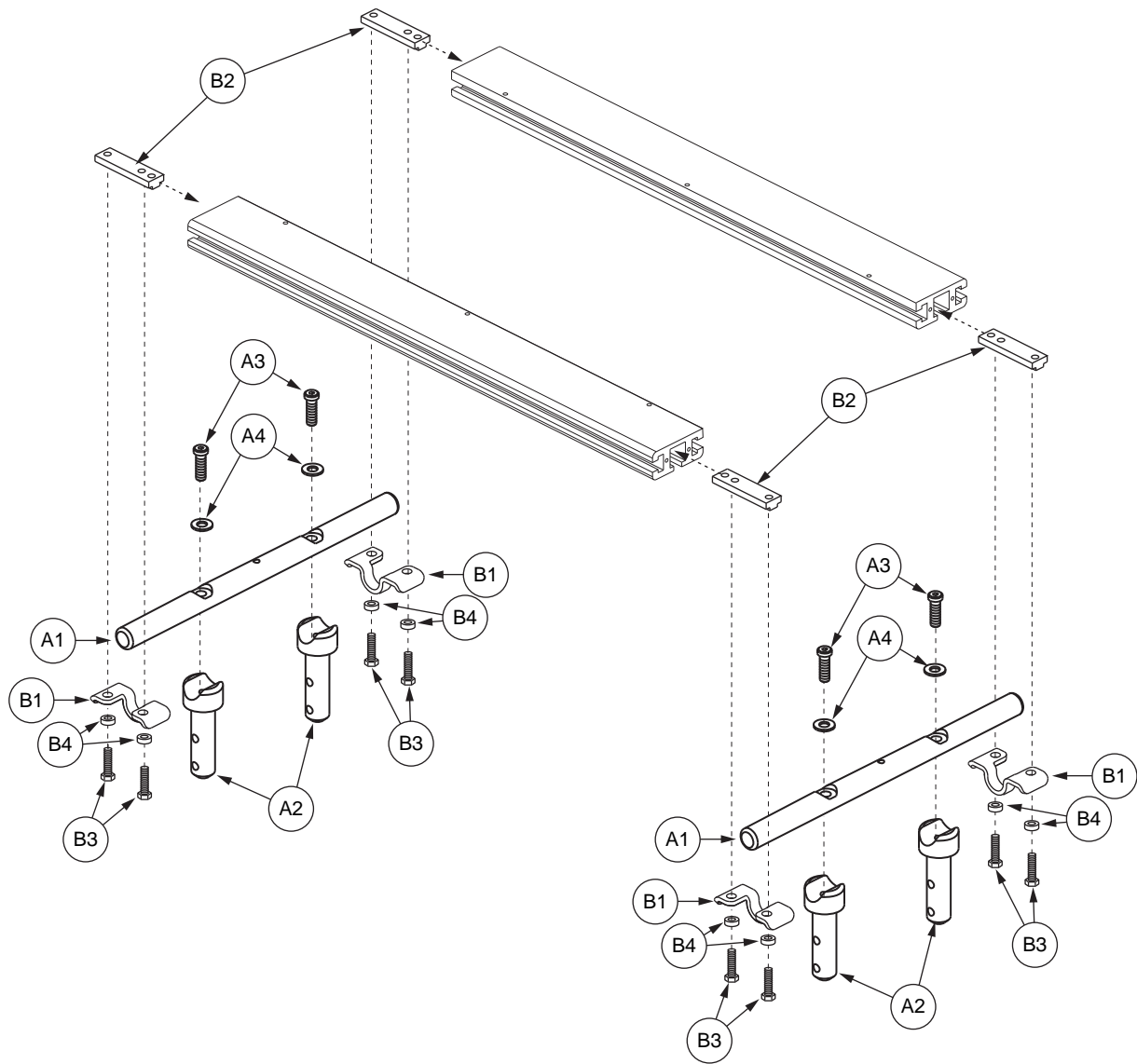
- *A1 - H1 Both assemblies contain identical parts. There are different part numbers for assembly purposes.
- *E7 Not shown.

II. Stem Mount Assembly — 5.039" Centers, 2.625" Height, 10"-14" Width



REF #	PART #	DESCRIPTION	QTY	Dealer \$	11i MSRP
A1 - B4	FRMASMB6956	STEM MOUNT,ASSY,10"W-14"W,5.039" CENTERS,2.625"H,SYNERGY SEAT	1	\$100.33	\$255.84
A1 - A4	FRMASMB6950	HORIZONTAL STEM SUPPORT,ASSY,10"W-14"W,5.039" CENTERS,2.625"H,SYNERGY SEAT,C-1360-134	2	\$34.18	\$87.15
A1	DWR1054D031	HORIZONTAL STEM SUPPORT,10"W-14"W,5.039" CENTERS,SYNERGY SEAT,D-1054-031	1	\$20.95	\$53.42
A2	DWR1054C029	VERTICAL STEM SUPPORT,2-HOLE,2.625"H,SYNERGY SEAT	2	N/A	N/A
A3	SCRSHCS1253	SCREW,SHCS,BLACK ZINC,5/16-18 X 1.00",LOW HEAD,W/PATCH	2	\$1.1	\$2.81
A4	WASSTND1002	WASHER,FLAT,BLACK ZINC,0.3125"ID X 0.6875"OD X 0.0625"TH	2	\$1.18	\$3.01
B1 - B4	FRMASMB4657	STEM MOUNT PLATE,ASSY,SYNERGY SEAT,B-1360-002	4	\$9.49	\$24.19
B1	DWR1360B009	MOUNTING BRACKET,STEM MOUNT PLATE,SYNERGY SEAT	1	N/A	N/A
B2	DWR1005B215	T-NUT,BLACK,5/16-18 X 2.75",W/3 HOLES,0.74" TH	1	\$2.65	\$6.75
B3	SCRHHCS1246	SCREW,HHCS,BLACK ZINC,5/16-18 X 1.25",GR 8,W/PATCH	2	\$1.1	\$2.81
B4	DWR1600A052	SPACER,BLACK ZINC,STEEL,0.328" ID X 0.50" OD X 0.20" TH	2	\$1.15	\$2.92

II. Stem Mount Assembly — 5.039" Centers, 3.375" Height, 10"-14" Width

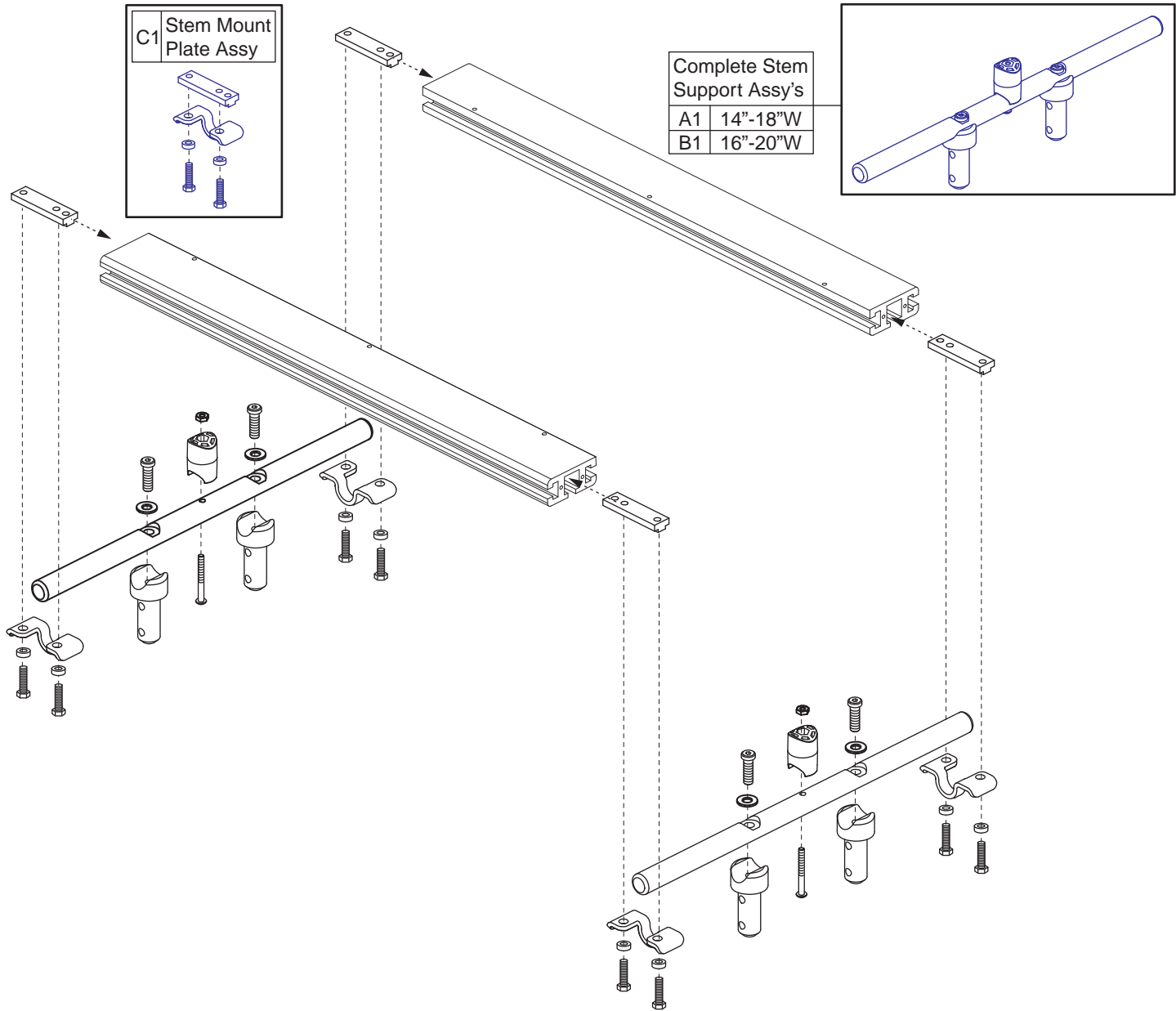


REF #	PART #	DESCRIPTION	QTY	Dealer \$	11i MSRP
A1 - B4	FRMASMB6959	STEM MOUNT,ASSY,10"W-14"W,5.039" CENTERS,3.375"H,SYNERGY SEAT	1	\$95.92	\$244.59
A1 - A4	FRMASMB6953	HORIZONTAL STEM SUPPORT,ASSY,10"W-14"W,5.039" CENTERS,3.375"H,SYNERGY SEAT,C-1360-137	2	\$31.97	\$81.53
A1	DWR1054D031	HORIZONTAL STEM SUPPORT,10"W-14"W,5.039" CENTERS,SYNERGY SEAT,D-1054-031	1	\$20.95	\$53.42
A2	DWR1054C030	VERTICAL STEM SUPPORT,2-HOLE,2.625"H,SYNERGY SEAT	2	N/A	N/A
A3	SCRSHCS1253	SCREW,SHCS,BLACK ZINC,5/16-18 X 1.00",LOW HEAD,W/PATCH	2	\$1.1	\$2.81
A4	WASSTND1002	WASHER,FLAT,BLACK ZINC,0.3125" ID X 0.6875" OD X 0.0625" TH	2	\$1.18	\$3.01
B1 - B4	FRMASMB4657	STEM MOUNT PLATE,ASSY,SYNERGY SEAT,B-1360-002	4	\$9.49	\$24.19
B1	DWR1360B009	MOUNTING BRACKET,STEM MOUNT PLATE,SYNERGY SEAT	1	N/A	N/A
B2	DWR1005B215	T-NUT,BLACK,5/16-18 X 2.75",W/3 HOLES,0.74" TH,B-1005-215	1	\$2.65	\$6.75
B3	SCRHHCS1246	SCREW,HHCS,BLACK ZINC,5/16-18 X 1.25",GR 8,W/PATCH	2	\$1.1	\$2.81
B4	DWR1600A052	SPACER,BLACK ZINC,STEEL,0.328" ID X 0.50" OD X 0.20" TH	2	\$1.15	\$2.92

II. Stem Mount Assembly — 5.039” Centers, 2.625” Height, 14”-20” Width



Individual components are not available for replacement. The entire assembly must be selected.

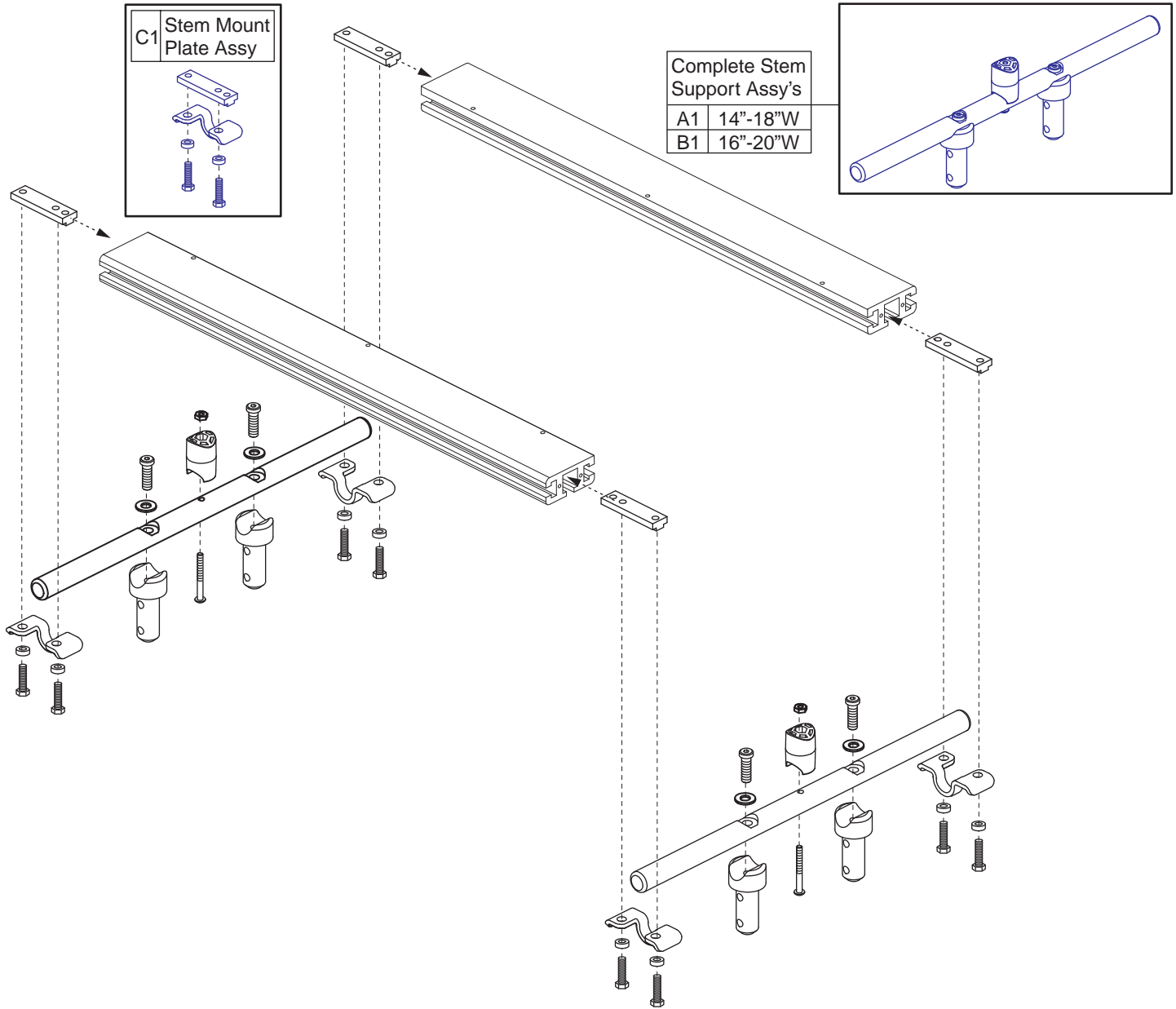


REF #	PART #	DESCRIPTION	QTY	Dealer \$	MSRP	11i
A1	FRMASMB6951	HORIZONTAL STEM SUPPORT,ASSY,14"W-18"W,5.039" CENTERS,2.625"H,SYNERGY SEAT,E-1360-151	1	\$34.18	\$87.15	
B1	FRMASMB6952	HORIZONTAL STEM SUPPORT,ASSY,16"W-20"W,5.039" CENTERS,2.625"H,SYNERGY SEAT,E-1360-152	1	\$35.28	\$89.96	
C1	FRMASMB4657	STEM MOUNT PLATE,ASSY,SYNERGY SEAT,B-1360-002	1	\$9.49	\$24.19	

II. Stem Mount Assembly — 5.039” Centers, 3.375” Height, 14”-20” Width

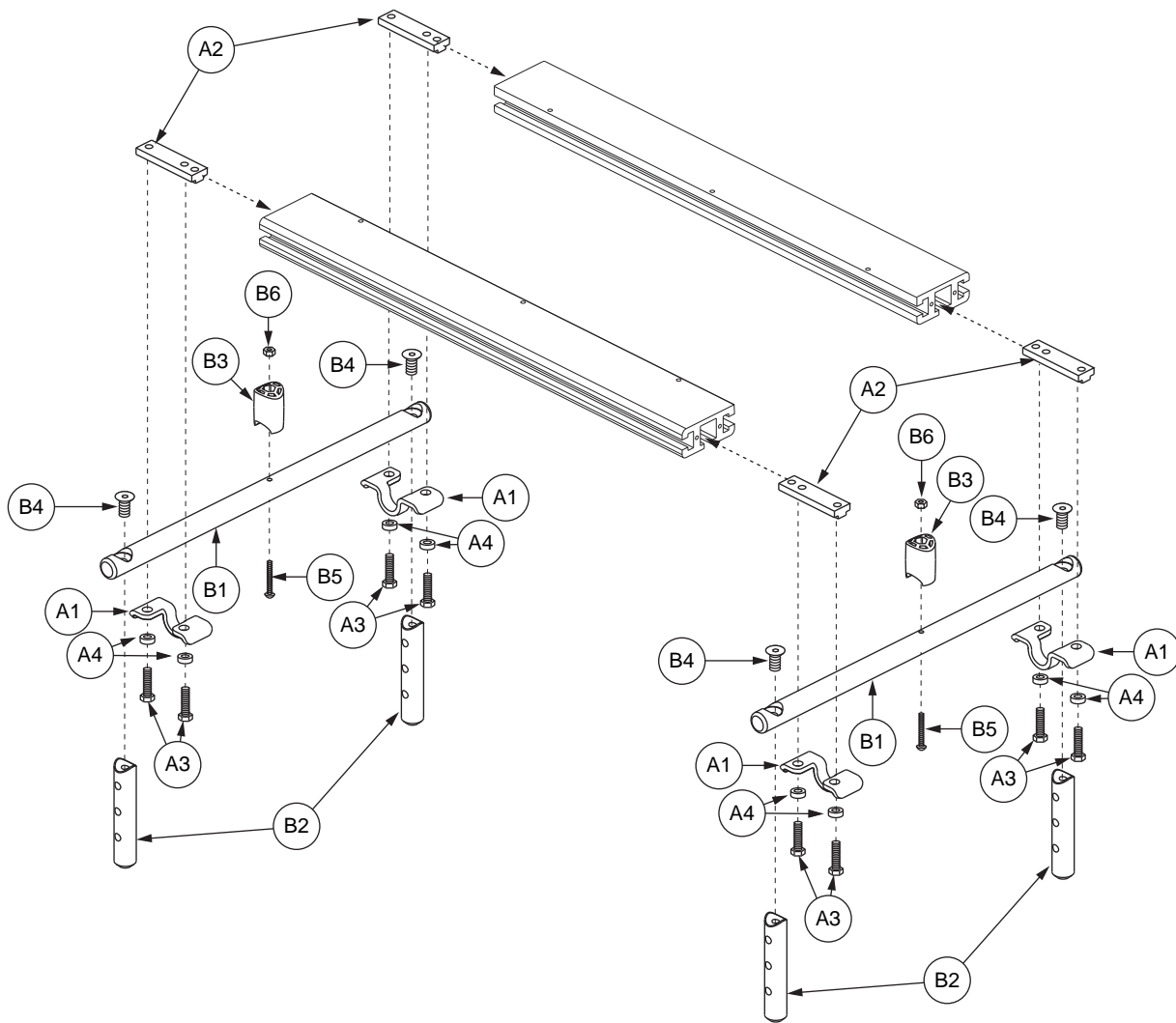


Individual components are not available for replacement. The entire assembly must be selected.



REF #	PART #	DESCRIPTION	QTY	Dealer \$	MSRP	11i
A1	FRMASMB6954	HORIZONTAL STEM SUPPORT,ASSY,14"W-18"W,5.039" CENTERS,3.375"H,SYNERGY SEAT,E-1360-154	1	\$35.28	\$89.96	
B1	FRMASMB6955	HORIZONTAL STEM SUPPORT,ASSY,16"W-20"W,5.039" CENTERS,3.375"H,SYNERGY SEAT,E-1360-153	1	\$36.38	\$92.78	
C1	FRMASMB4657	STEM MOUNT PLATE,ASSY,SYNERGY SEAT,B-1360-002	1	\$9.49	\$24.19	

II. Stem Mount Assembly — 12.795" Centers, Version 1, 10"-14" Width

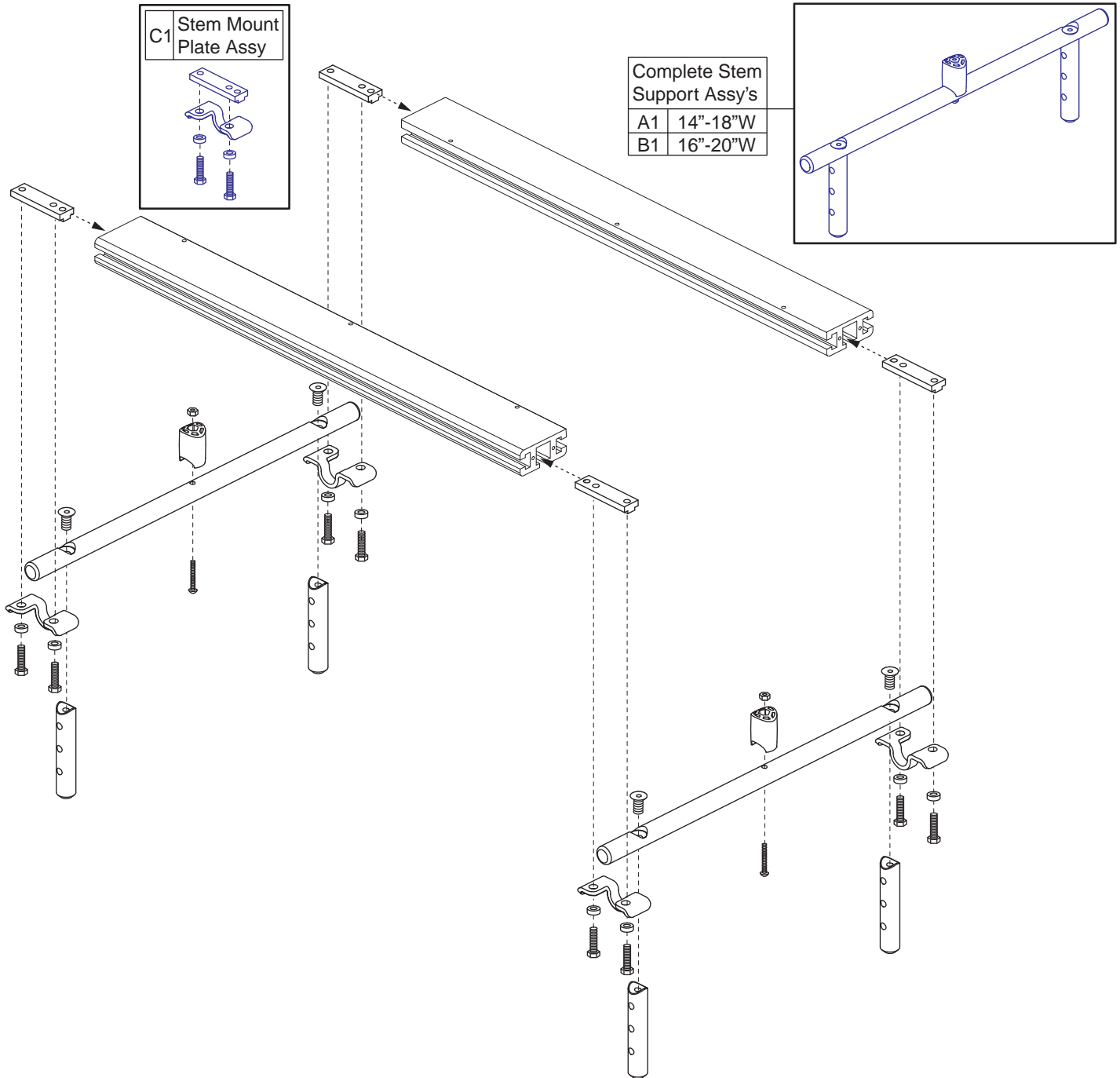


REF #	PART #	DESCRIPTION	QTY	Dealer \$	MSRP	11i
A1 - B6	FRMASMB8397	STEM MOUNT,ASSY,10"W-14"W,12.795" CENTERS,SYNERGY SEAT	1	N/A	N/A	
A1 - A4	FRMASMB4657	STEM MOUNT PLATE,ASSY,SYNERGY SEAT,B-1360-002	4	\$9.49	\$24.19	
A1	DWR1360B009	MOUNTING BRACKET,STEM MOUNT PLATE,SYNERGY SEAT	1	N/A	N/A	
A2	DWR1005B215	T-NUT,BLACK,5/16-18 X 2.75",W/3 HOLES,0.74" TH,B-1005-215	1	\$2.65	\$6.75	
A3	SCRHHCS1246	SCREW,HHCS,BLACK ZINC,5/16-18 X 1.25",GR 8,W/PATCH	2	\$1.1	\$2.81	
A4	DWR1600A052	SPACER,BLACK ZINC,STEEL,0.328" ID X 0.50" OD X 0.20" TH	2	\$1.15	\$2.92	
B1 - B6	FRMASMB8400	HORIZONTAL STEM SUPPORT,ASSY,10"W-14"W,12.795" CENTERS,3-HOLE,SYNERGY SEAT,E-1360-185	2	N/A	N/A	
B1	DWR1360D076	HORIZONTAL STEM SUPPORT,10"W-14"W,12.795" CENTERS,SYNERGY SEAT,D-1360-076	1	\$14.33	\$36.55	
B2	DWR1360B020	VERTICAL STEM SUPPORT,3-HOLE,VERSA SEAT G2	2	N/A	N/A	
B3	DWR1360B021	SEAT PAN STAND-OFF,SYNERGY SEAT,B-1360-021	1	N/A	N/A	
B4	SCRSHFH1071	SCREW,SHFH,BLACK ZINC,5/16-18 X 0.875",GR 8,W/PATCH	2	\$1.1	\$2.81	
B5	SCRASBH1101	SCREW,BHSCS,BLACK ZINC,10-32 X 1.75"	1	\$1.1	\$2.81	
B6	NUTNYLK1001	NUT,NYLOCK,BLACK ZINC,10-32	1	\$1.16	\$2.96	

II. Stem Mount Assembly — 12.795" Centers, Version 1, 14"-20" Width

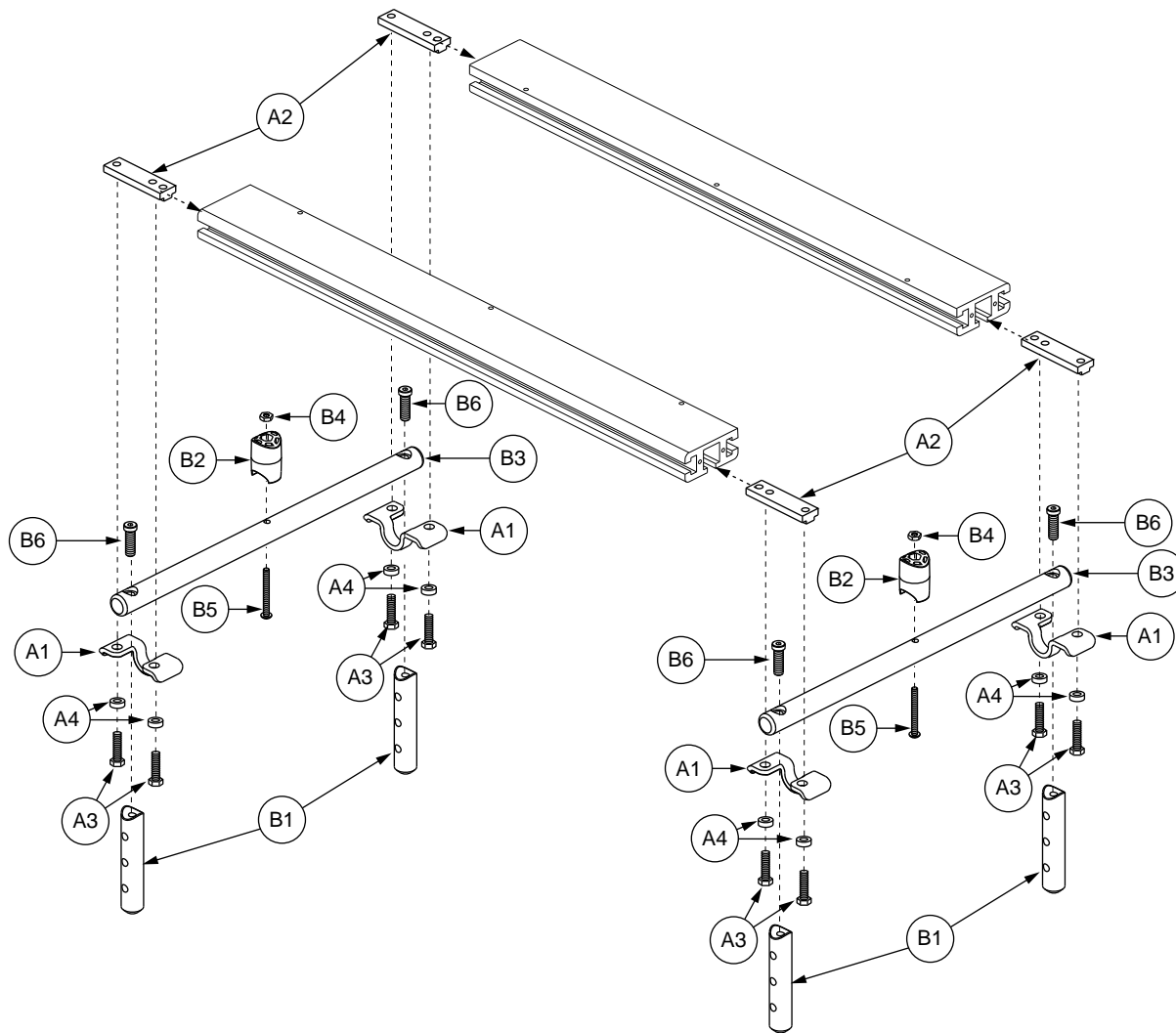


Individual components are not available for replacement. The entire assembly must be selected.

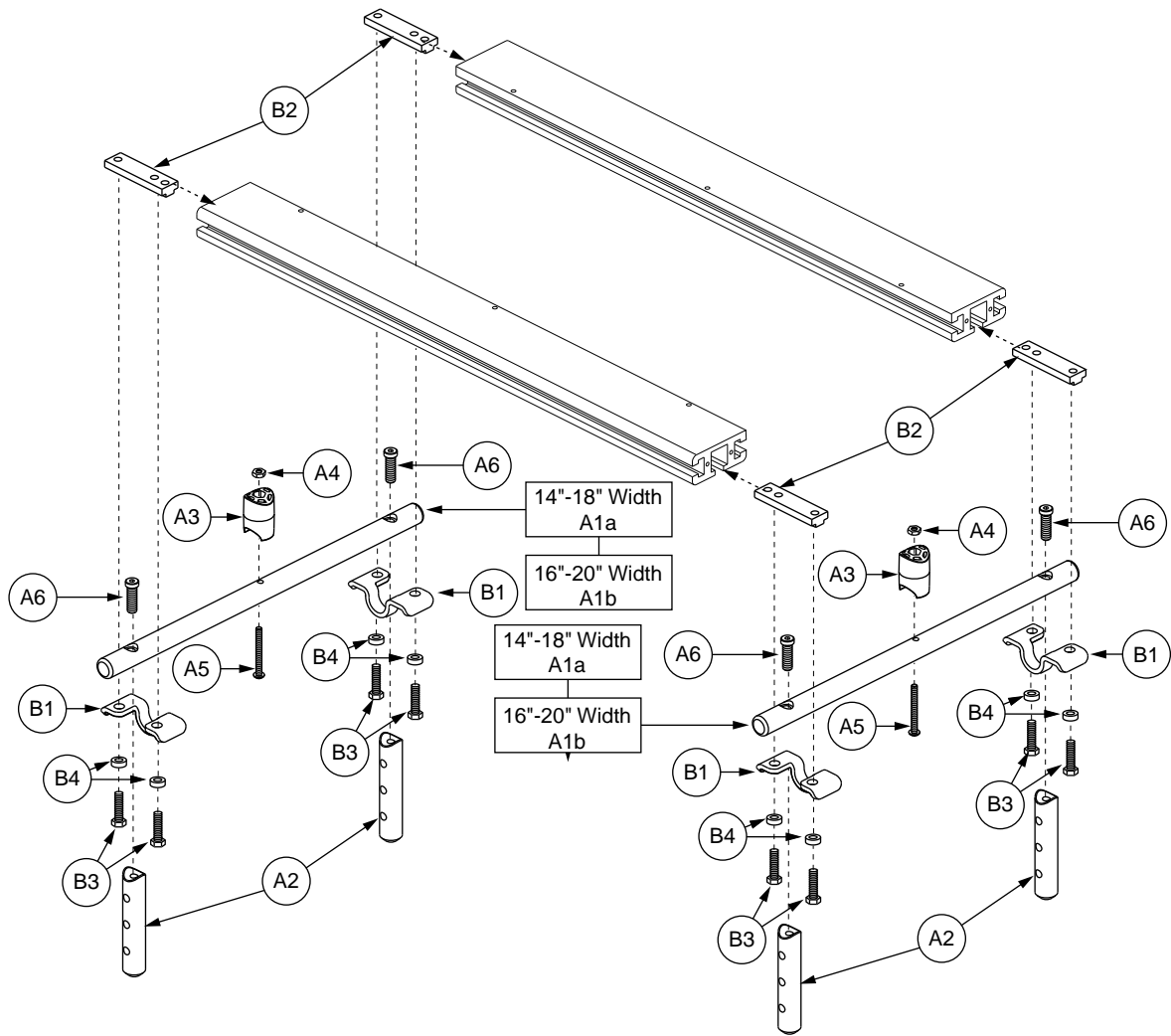


REF #	PART #	DESCRIPTION	QTY	Dealer \$	11i MSRP
A1	FRMASMB8401	HORIZONTAL STEM SUPPORT,ASSY,14"W-18"W,12.795" CENTERS,3-HOLE,SYNERGY SEAT,E-1360-186	1	\$34.53	\$88.05
B1	FRMASMB8402	HORIZONTAL STEM SUPPORT,ASSY,16"W-20"W,12.795" CENTERS,3-HOLE,SYNERGY SEAT,E-1360-187	1	\$34.77	\$88.66
C1	FRMASMB4657	STEM MOUNT PLATE,ASSY,SYNERGY SEAT,B-1360-002	1	\$9.49	\$24.19

II. Stem Mount Assembly — 12.795" Centers, Version 2, 10"-14" Width

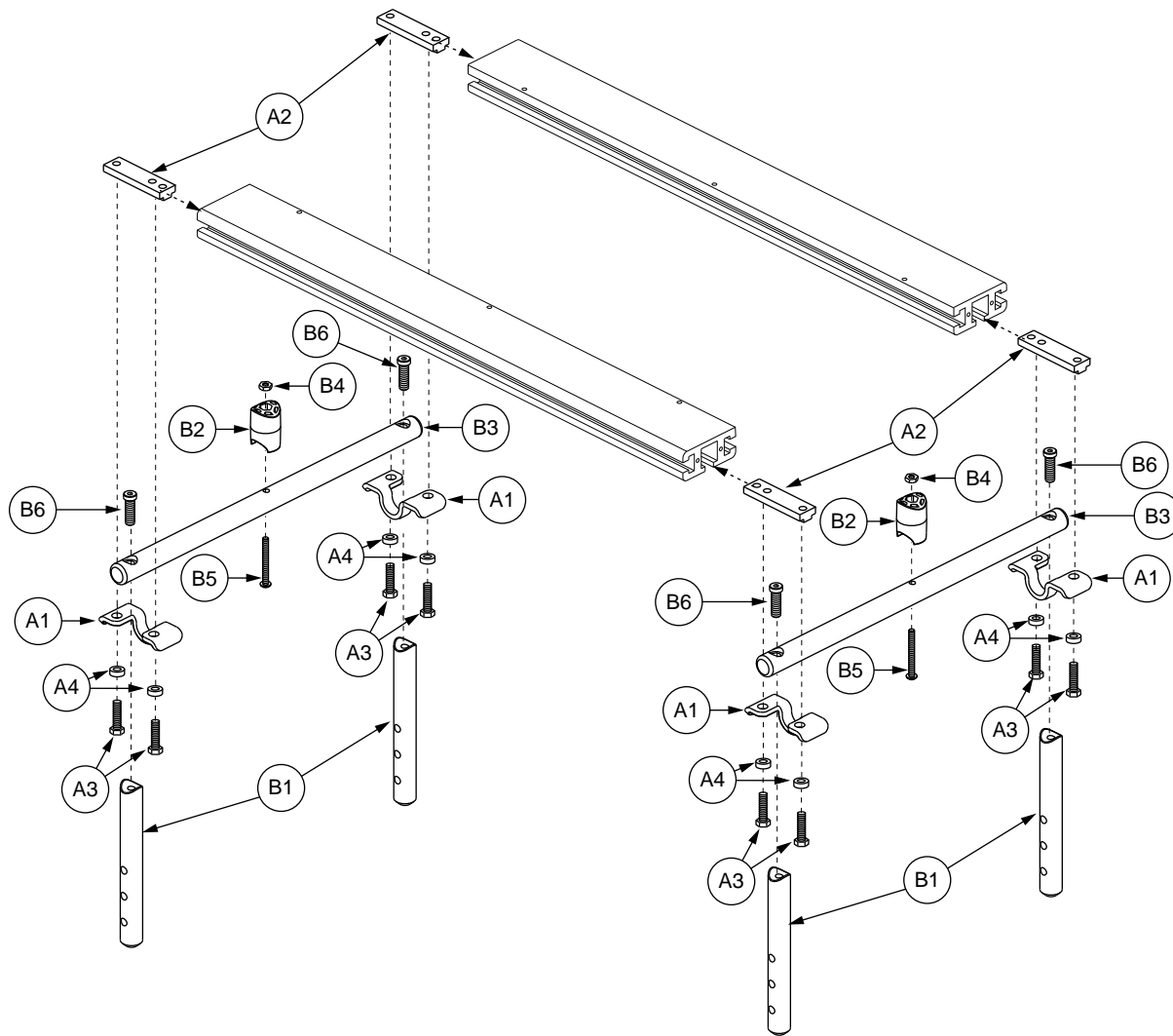


REF #	PART #	DESCRIPTION	QTY	Dealer \$	MSRP	11i
A1 - B6	FRMASMB12043	STEM MOUNT,ASSY,10"W-14"W,12.795" CENTERS,SYNERGY SEAT	1	\$57.26	\$146	
A1 - A4	FRMASMB4657	STEM MOUNT PLATE,ASSY,SYNERGY SEAT,B-1360-002	4	\$9.49	\$24.19	
A1	DWR1360B009	MOUNTING BRACKET,STEM MOUNT PLATE,SYNERGY SEAT	1	N/A	N/A	
A2	DWR1005B215	T-NUT,BLACK,5/16-18 X 2.75",W/3 HOLES,0.74" TH	1	\$2.65	\$6.75	
A3	SCRHHCS1246	SCREW,HHCS,BLACK ZINC,5/16-18 X 1.25",GR 8,W/PATCH	2	\$1.1	\$2.81	
A4	DWR1600A052	SPACER,BLACK ZINC,STEEL,0.328" ID X 0.50" OD X 0.20" TH	2	\$1.15	\$2.92	
B1 - B6	FRMASMB10823	HORIZONTAL STEM SUPPORT,ASSY,10"W-14"W,12.795" CENTERS,LOW HEAD SCREWS,3-HOLE,SYNERGY SEAT,D-1360-095	2	\$13.02	\$33.2	
B1	DWR1360B020	VERTICAL STEM SUPPORT,3-HOLE,SYNERGY SEAT,B-1360-020	2	N/A	N/A	
B2	DWR1360B021	SEAT PAN STAND-OFF,SYNERGY SEAT,B-1360-021	1	N/A	N/A	
B3	DWR1360D089	HORIZONTAL STEM SUPPORT,10"W-14"W,12.795" CENTERS,LOW HEAD SCREWS,SYNERGY SEAT,D-1360-089	1	N/A	N/A	
B4	NUTNYLK1001	NUT,NYLOCK,BLACK ZINC,10-32	1	\$1.16	\$2.96	
B5	SCRASBH1101	SCREW,BHSCS,BLACK ZINC,10-32 X 1.75"	1	\$1.1	\$2.81	
B6	SCRSHCS1253	SCREW, SHCS,BLACK ZINC,5/16-18 X 1.00",LOW HEAD,W/PATCH	2	\$1.1	\$2.81	



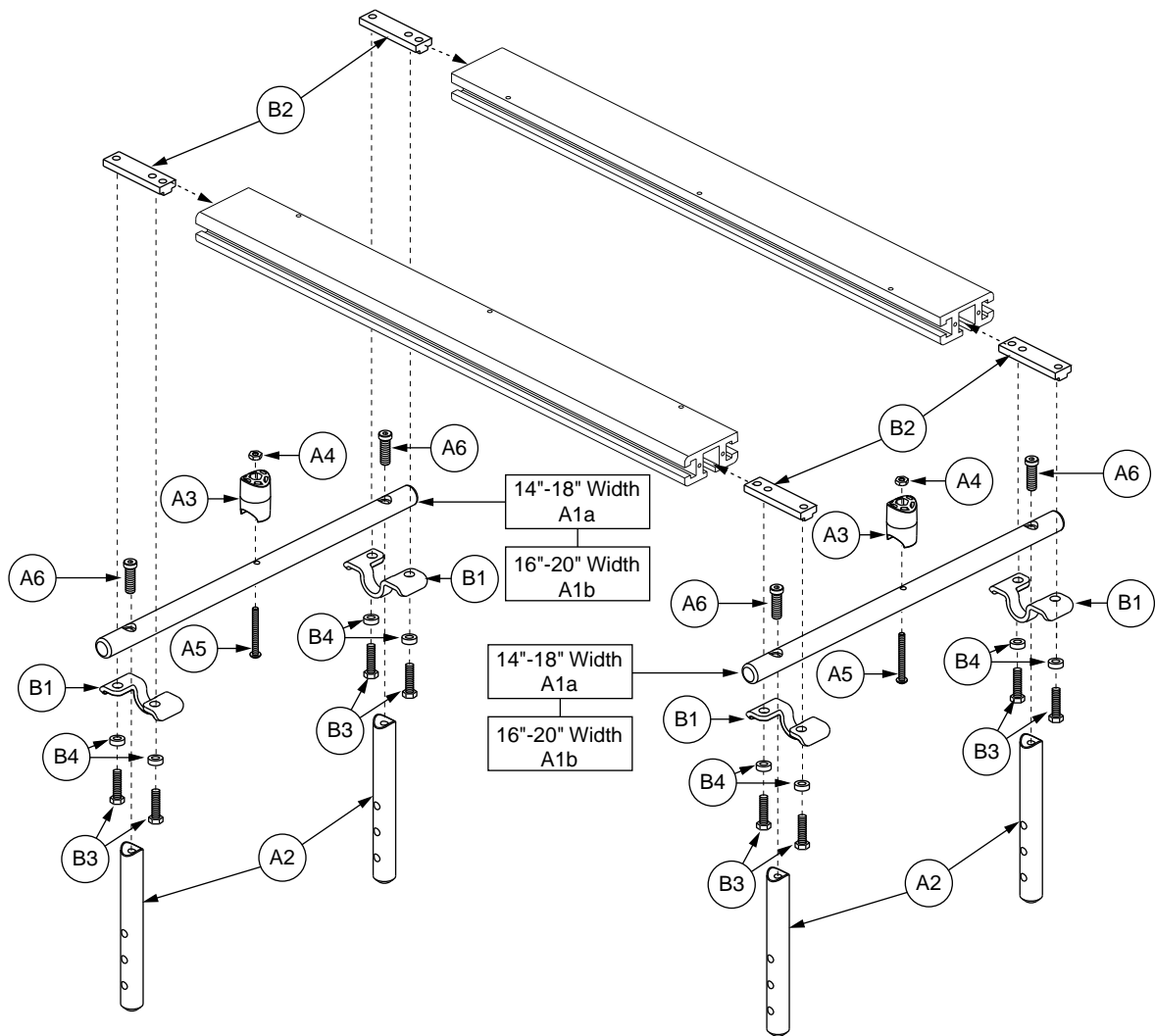
REF #	PART #	DESCRIPTION	QTY	Dealer \$	11i MSRP
A1	FRMASMB10824	HORIZONTAL STEM SUPPORT,ASSY,14"W-18"W,12.795" CENTERS,LOW HEAD SCREWS,3-HOLE,SYNERGY SEAT,D-1360-096	1	\$13.28	\$33.87
B1	FRMASMB10825	HORIZONTAL STEM SUPPORT,ASSY,16"W-20"W,12.795" CENTERS,LOW HEAD SCREWS,3-HOLE,SYNERGY SEAT,D-1360-097	1	\$14.05	\$35.82
C1	FRMASMB4657	STEM MOUNT PLATE,ASSY,SYNERGY SEAT,B-1360-002	1	\$9.49	\$24.19

II. Stem Mount Assembly — 12.795" Centers, Extended, 10"-14" Width

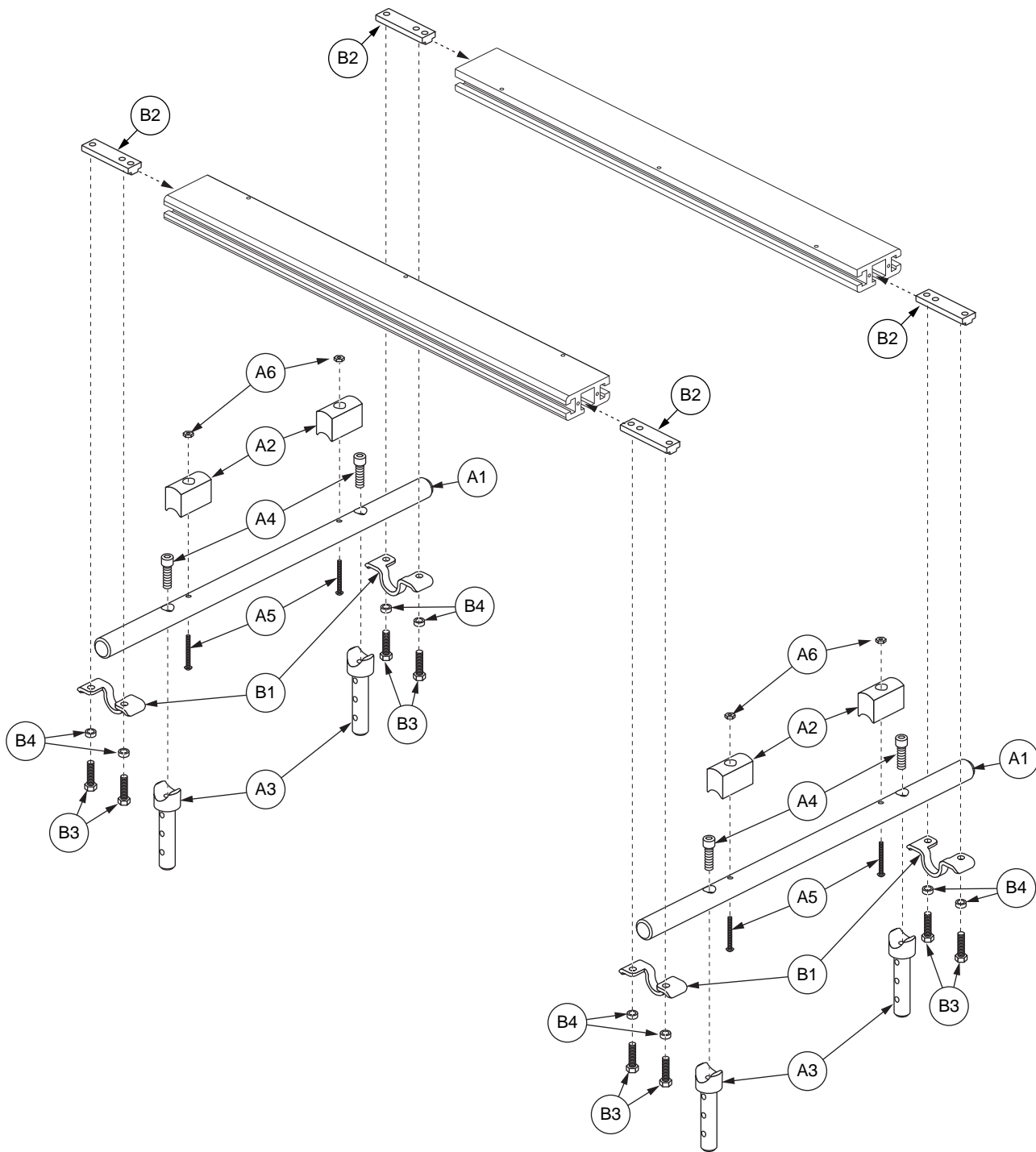


REF #	PART #	DESCRIPTION	QTY	Dealer \$	MSRP	11i
A1 - B6	FRMASMB14162	EXTENDED STEM MOUNT,ASSY,10"W-14"W,12.795" CENTERS,SYNERGY SEAT	1	\$81.92	\$208.9	
A1 - A4	FRMASMB4657	STEM MOUNT PLATE,ASSY,SYNERGY SEAT,B-1360-002	4	\$9.49	\$24.19	
A1	DWR1360B009	MOUNTING BRACKET,STEM MOUNT PLATE,SYNERGY SEAT	1	N/A	N/A	
A2	DWR1005B215	T-NUT,BLACK,5/16-18 X 2.75",W/3 HOLES,0.74" TH,B-1005-215	1	\$2.65	\$6.75	
A3	SCRHHCS1246	SCREW,HHCS,BLACK ZINC,5/16-18 X 1.25",GR 8,W/PATCH	2	\$1.1	\$2.81	
A4	DWR1600A052	SPACER,BLACK ZINC,STEEL,0.328" ID X 0.50" OD X 0.20" TH	2	\$1.15	\$2.92	
B1 - B6	FRMASMB12855	EXTENDED LOW HEAD HORIZONTAL STEM SUPPORT,ASSY,10"W-14"W,12.795" CENTERS,3-HOLE,SYNERGY SEAT,E-1360-242	1	\$42.2	\$107.62	
B1	DWR1360C181	LONG VERTICAL STEM SUPPORT,3-HOLE,SYNERGY SEAT	2	N/A	N/A	
B2	DWR1360B021	SEAT PAN STAND-OFF,SYNERGY SEAT,B-1360-021	1	N/A	N/A	
B3	DWR1360D089	HORIZONTAL STEM SUPPORT,10"W-14"W,12.795" CENTERS,LOW HEAD SCREWS,SYNERGY SEAT,D-1360-089	1	N/A	N/A	
B4	NUTNYLK1001	NUT,NYLOCK,BLACK ZINC,10-32	1	\$1.16	\$2.96	
B5	SCRASBH1101	SCREW,BHSCS,BLACK ZINC,10-32 X 1.75"	1	\$1.1	\$2.81	
B6	SCRSHCS1253	SCREW, SHCS,BLACK ZINC,5/16-18 X 1.00",LOW HEAD,W/PATCH	2	\$1.1	\$2.81	

II. Stem Mount Assembly — 12.795" Centers, Extended, 14"-20" Width



REF #	PART #	DESCRIPTION	QTY	Dealer \$	MSRP	11i
A1a - B4	FRMASMB14163	EXTENDED STEM MOUNT, ASSY, 14"W-18"W, 12.795" CENTERS, SYNERGY SEAT	1	N/A	N/A	
A1b - B4	FRMASMB14164	EXTENDED STEM MOUNT, ASSY, 16"W-20"W, 12.795" CENTERS, SYNERGY SEAT	1	N/A	N/A	
A1a - A6	FRMASMB12854	EXTENDED LOW HEAD HORIZONTAL STEM SUPPORT, ASSY, 14"W-18"W, 12.795" CENTERS, 3-HOLE, SYNERGY SEAT, E-1360-241	1	N/A	N/A	
A1b - A6	FRMASMB12866	EXTENDED LOW HEAD HORIZONTAL STEM SUPPORT, ASSY, 16"W-20"W, 12.795" CENTERS, 3-HOLE, SYNERGY SEAT, E-1360-243	1	N/A	N/A	
A1a	DWR1360D090	HORIZONTAL STEM SUPPORT, 14"W-18"W, 12.795" CENTERS, LOW HEAD SCREWS, SYNERGY SEAT, D-1360-090	1	N/A	N/A	
A1b	DWR1360D091	HORIZONTAL STEM SUPPORT, 16"W-20"W, 12.795" CENTERS, LOW HEAD SCREWS, SYNERGY SEAT, D-1360-091	1	N/A	N/A	
A2	DWR1360C181	LONG VERTICAL STEM SUPPORT, 3-HOLE, SYNERGY SEAT	2	N/A	N/A	
A3	DWR1360B021	SEAT PAN STAND-OFF, SYNERGY SEAT, B-1360-021	1	N/A	N/A	
A4	NUTNYLK1001	NUT, NYLOCK, BLACK ZINC, 10-32	1	\$1.16	\$2.96	
A5	SCRASBH1101	SCREW, BHSCS, BLACK ZINC, 10-32 X 1.75"	1	\$1.1	\$2.81	
A6	SCRSHCS1253	SCREW, SHCS, BLACK ZINC, 5/16-18 X 1.00", LOW HEAD, W/PATCH	2	\$1.1	\$2.81	
B1 - B4	FRMASMB4657	STEM MOUNT PLATE, ASSY, SYNERGY SEAT, B-1360-002	4	\$9.49	\$24.19	
B1	DWR1360B009	MOUNTING BRACKET, STEM MOUNT PLATE, SYNERGY SEAT	1	N/A	N/A	
B2	DWR1005B215	T-NUT, BLACK, 5/16-18 X 2.75", W/3 HOLES, 0.74" TH, B-1005-215	1	\$2.65	\$6.75	
B3	SCRHHCS1246	SCREW, HHCS, BLACK ZINC, 5/16-18 X 1.25", GR 8, W/PATCH	2	\$1.1	\$2.81	
B4	DWR1600A052	SPACER, BLACK ZINC, STEEL, 0.328" ID X 0.50" OD X 0.20" TH	2	\$1.15	\$2.92	

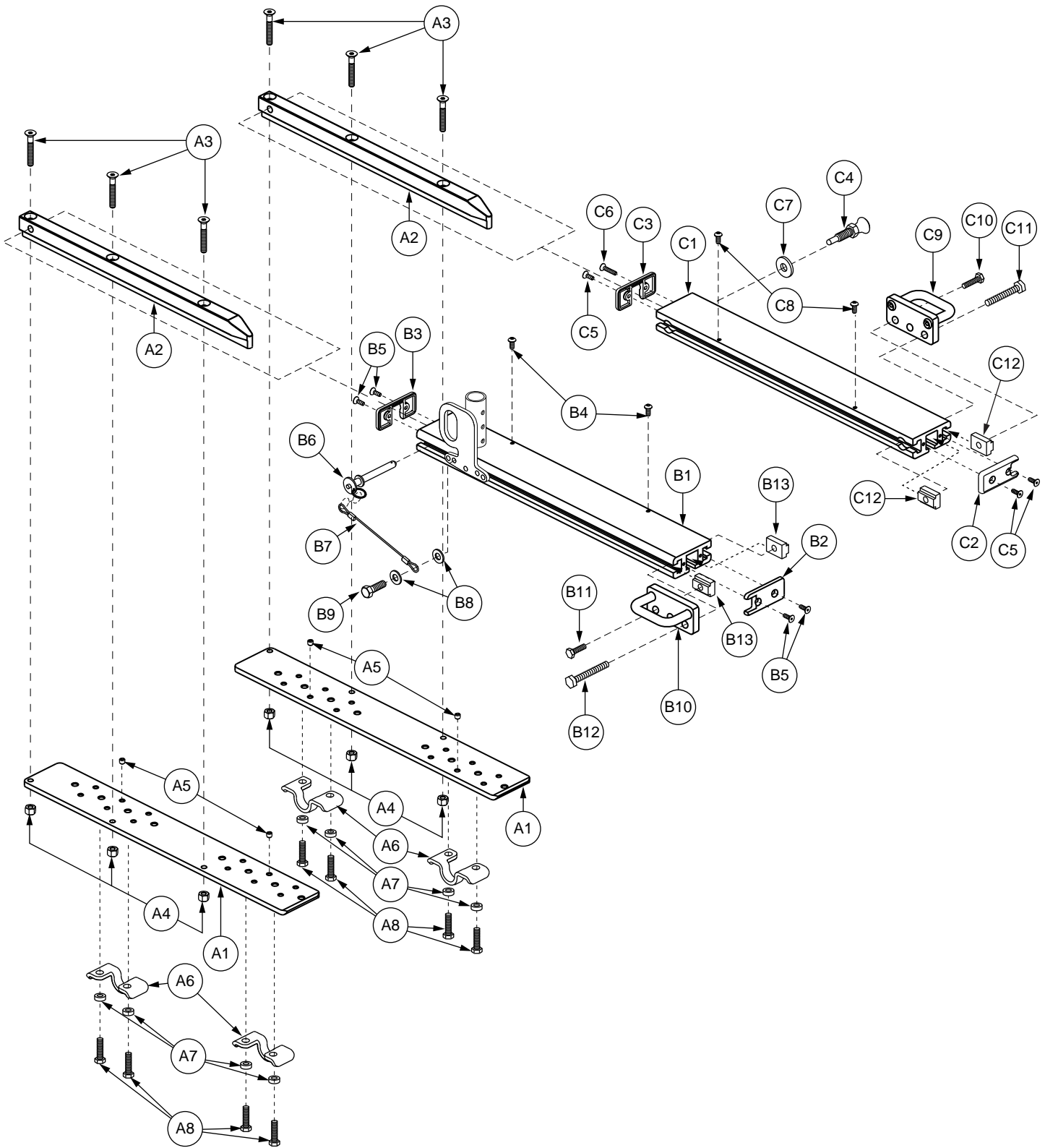


II. Stem Mount Assembly — Q600XL, 20”-24” Width



REF #	PART #	DESCRIPTION	QTY	Dealer \$	11i MSRP
A1	FRMASMB8447	HORIZONTAL STEM SUPPORT,ASSY,20"W-24"W,12.795" CENTERS,1" BAR,SYNERGY SEAT,E-1360-189	1	\$65.73	\$167.6
B1	FRMASMB9627	STEM MOUNT PLATE,ASSY,1" BAR,SYNERGY SEAT HD,B-1360-093	1	\$8.07	\$20.58

III. Quick Release Side Rail Assembly — 10"-14" Depth



III. Quick Release Side Rail Assembly — 10”-14” Depth



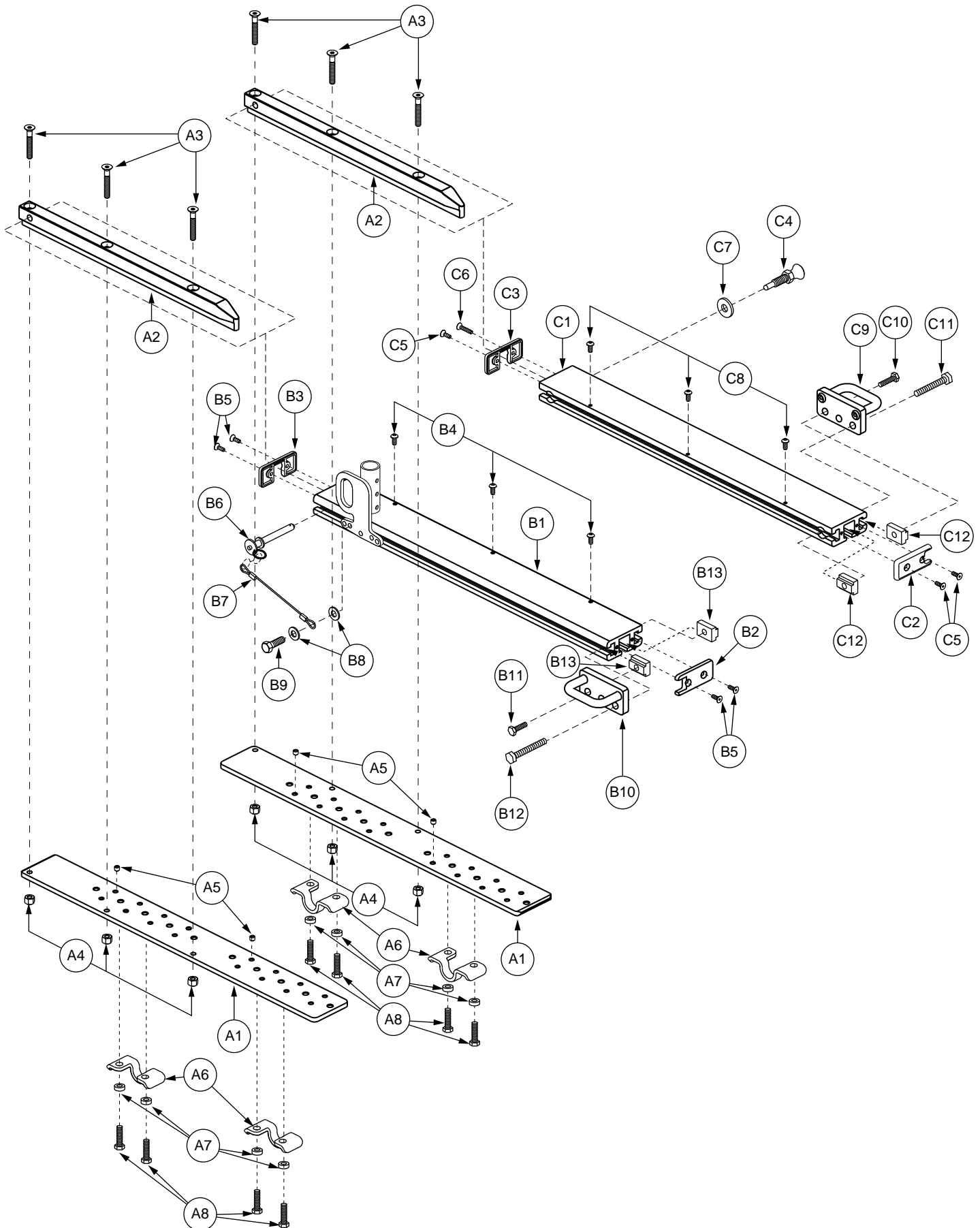
REF #	PART #	DESCRIPTION	QTY	Dealer \$	MSRP	11i
A1 - C12	FRMASMB6978	SEAT FRAME,ASSY,SIDE RAIL,10"D-14"D,SYNERGY SEAT W/QUICK RELEASE,TEXTURED	1	\$282.24	\$719.71	
*A1 - A8	FRMASMB6684	RAIL,ASSY,BASE,17",SYNERGY SEAT,QUICK RELEASE,RIGHT	1	\$69.46	\$177.12	
*A1 - A8	FRMASMB6685	RAIL,ASSY,BASE,17",SYNERGY SEAT,QUICK RELEASE,LEFT	1	\$69.46	\$177.12	
A1	DWR1360D063	QUICK RELEASE PLATE,17",SYNERGY SEAT,D-1360-063	1	\$35.28	\$89.96	
A2	DWR1360D064	PLASTIC EXTRUSION,15",SYNERGY SEAT,QUICK RELEASE	1	\$26.46	\$67.47	
A3	SCRSHFH1078	SCREW, SHFH,BLACK ZINC,1/4-20 X 1.75",GRADE 8	3	\$1.1	\$2.81	
A4	NUTNYLK1014	NUT, NYLOCK,BLACK ZINC,1/4-20	3	\$1.16	\$2.96	
A5	SCRSETS1085	SCREW,SET,BLACK ZINC,1/4-20 X 0.250",CUP POINT,W/PATCH	2	\$1.1	\$2.81	
A6	DWR1360B009	MOUNTING BRACKET,STEM MOUNT PLATE,SYNERGY SEAT	2	N/A	N/A	
A7	DWR1600A052	SPACER,BLACK ZINC,STEEL,0.328" ID X 0.50" OD X 0.20" TH	4	\$1.15	\$2.92	
A8	SCRHHCS1241	SCREW,HHCS,BLACK ZINC,5/16-18 X 0.75",GR 8,W/PATCH	4	\$1.12	\$2.86	
B1 - B13	FRMASMB6973	SEAT FRAME,ASSY,SIDE RAIL,10"D-14"D,SYNERGY SEAT,QUICK RELEASE,RIGHT,TEXTURED,E-1360-094	1	\$71.66	\$182.74	
B1	DWR1360E009B	SEAT FRAME,SIDE RAIL,10"D-14"D,SYNERGY SEAT,TEXTURED	1	\$27.56	\$70.28	
B2	DWR1360B048	EXTRUSION END CAP,SYNERGY SEAT,T-SLOT OPEN END	1	\$1.16	\$2.95	
B3	DWR1360B074	EXTRUSION END CAP,SYNERGY SEAT,QUICK RELEASE,SIDE RAIL,B-1360-074	1	N/A	N/A	
B4	SCRASBH1094	SCREW,BHSCS,BLACK ZINC,10-32 X 0.4375",GR 8,W/PATCH	2	\$1.16	\$2.95	
B5	SCRSHFH1036	SCREW,SHFH,BLACK ZINC,8-32 X 0.50",GRADE 8,W/NYLON PATCH	4	\$1.12	\$2.86	
B6	INDPART2336	QUICK RELEASE PIN,5/16 X 2.00" GRIP LENGTH,SYNERGY SEAT	1	N/A	N/A	
B7	LANWIRE1003	LANYARD WIRE,3/64" X 6"L,PVC COATED,W/LOOPED ENDS,(PIVOT POINT:L47P-600-3P)	1	\$5.51	\$14.06	
B8	WASSTND1002	WASHER,FLAT,BLACK ZINC,0.3125" ID X 0.6875" OD X 0.0625" TH	2	\$1.18	\$3.01	
B9	SCRHHCS1300	SCREW,HHCS,BLACK ZINC,5/16-18 X 1.00",GR 8,W/PATCH	1	\$1.16	\$2.95	
B10	DWR1600B122B	SEAT FRAME,SECUREMENT BRACKET WELDMENT,TEXTURED	1	\$17.89	\$45.62	
B11	SCRHHCS1241	SCREW,HHCS,BLACK ZINC,5/16-18 X 0.75",GR 8,W/PATCH	1	\$1.12	\$2.86	
B12	SCRHHCS1478	SCREW, HHCS,BLACK ZINC,5/16-18 X 2.00",FULLY THREADED,SAE J428,GRADE 8,W/NYLON PATCH,B-1005-127	1	\$1.12	\$2.86	
B13	DWR1360A004	T-NUT,5/16-18 X 0.875",A-1360-004	2	\$2.37	\$6.03	
C1 - C12	FRMASMB6972	SEAT FRAME,ASSY,SIDE RAIL,10"D-14"D,SYNERGY SEAT,QUICK RELEASE,LEFT,TEXTURED,E-1360-097	1	\$71.66	\$182.74	
C1	DWR1360E088B	SEAT FRAME,SIDE RAIL,10"D-14"D,TAPPED,SYNERGY SEAT,QUICK RELEASE,LEFT,TEXTURED,E-1360-088	1	\$27.56	\$70.28	
C2	DWR1360B048	EXTRUSION END CAP,SYNERGY SEAT,T-SLOT OPEN END	1	\$1.16	\$2.95	
C3	DWR1360B074	EXTRUSION END CAP,SYNERGY SEAT,QUICK RELEASE,SIDE RAIL	1	N/A	N/A	
C4	FRMASMB6686	PLUNGER,ASSY,SYNERGY SEAT,QUICK RELEASE,B-1360-054	1	\$26.46	\$67.47	
C5	SCRSHFH1036	SCREW,SHFH,BLACK ZINC,8-32 X 0.50",GRADE 8,W/NYLON PATCH	3	\$1.12	\$2.86	
C6	SCRSHFH1079	SCREW, SHFH,BLACK ZINC,8-32 X 0.875",GRA 8,W/PATCH	1	\$1.1	\$2.81	
C7	WASUSS1011	WASHER,FLAT,BLACK ZINC,3/8,0.4375"ID X 1.00"OD X 0.064"TH	1	\$1.1	\$2.81	
C8	SCRASBH1094	SCREW,BHSCS,BLACK ZINC,10-32 X 0.4375",GR 8,W/PATCH	2	\$1.16	\$2.95	
C9	DWR1600B122B	SEAT FRAME,SECUREMENT BRACKET WELDMENT,TEXTURED	1	\$17.89	\$45.62	
C10	SCRHHCS1241	SCREW,HHCS,BLACK ZINC,5/16-18 X 0.75",GR 8,W/PATCH	1	\$1.12	\$2.86	
C11	SCRHHCS1478	SCREW, HHCS,BLACK ZINC,5/16-18 X 2.00",FULLY THREADED,SAE J428,GRADE 8,W/NYLON PATCH,B-1005-127	1	\$1.12	\$2.86	
C12	DWR1360A004	T-NUT,5/16-18 X 0.875",A-1360-004	2	\$2.37	\$6.03	

Notes :

Securement brackets, shown as B10 and C9, are only to be utilized when the Seating System is unoccupied.

***A1 - A8** Both assemblies contain identical parts. There are left and right sides for assembly purposes.

III. Quick Release Side Rail Assembly — 14"-18" Depth



III. Quick Release Side Rail Assembly — 14”-18” Depth



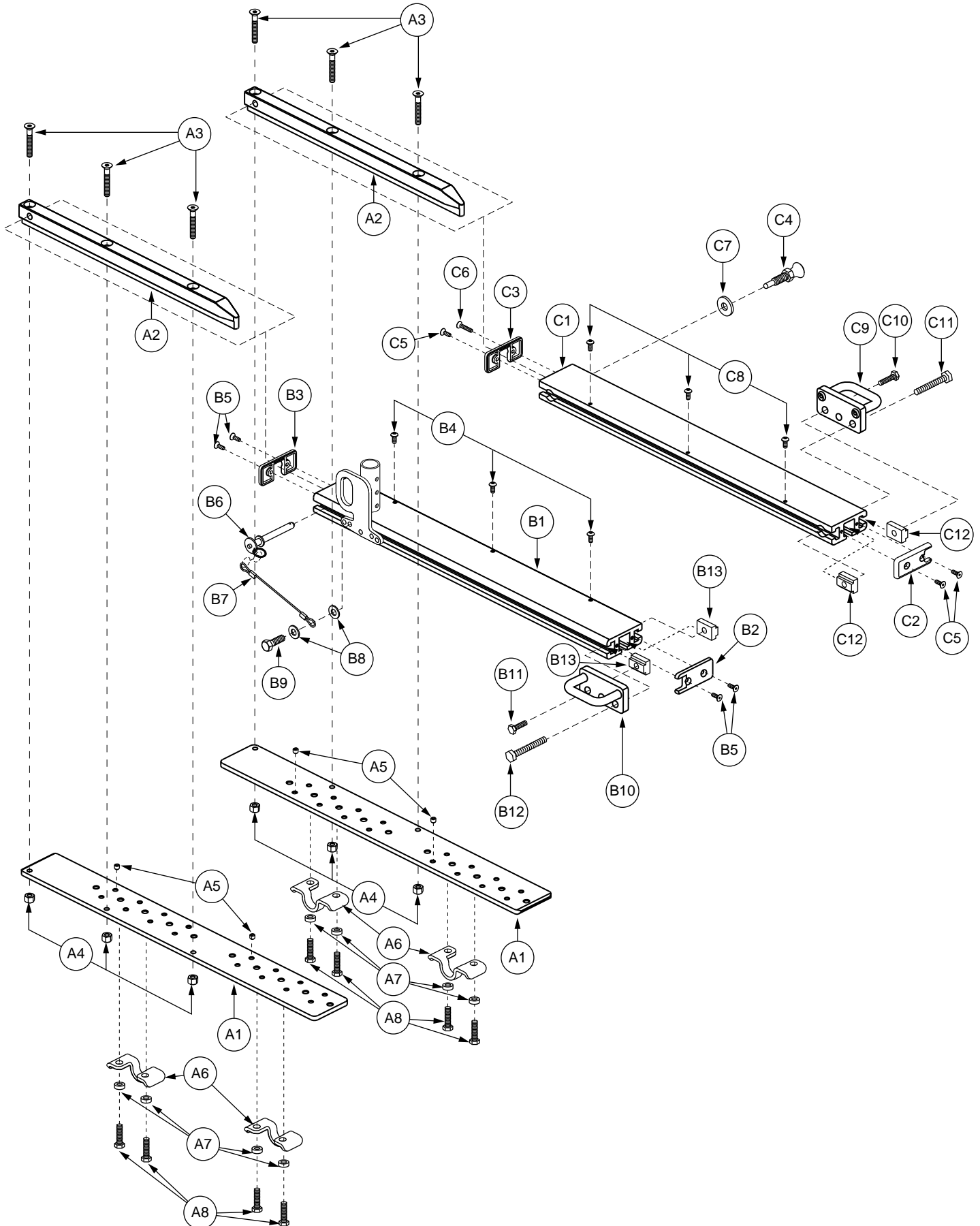
REF #	PART #	DESCRIPTION	QTY	Dealer \$	11i MSRP
A1 - C12	FRMASMB6979	SEAT FRAME,ASSY,SIDE RAIL,14"D-18"D,SYNERGY SEAT W/QUICK RELEASE,TEXTURED	1	\$299.88	\$764.69
*A1 - A8	FRMASMB6682	RAIL,ASSY,BASE,21",SYNERGY SEAT,QUICK RELEASE,RIGHT	1	\$72.77	\$185.55
*A1 - A8	FRMASMB6683	RAIL,ASSY,BASE,21",SYNERGY SEAT,QUICK RELEASE,LEFT	1	\$72.77	\$185.55
A1	DWR1360E067	QUICK RELEASE PLATE,21",SYNERGY SEAT,E-1360-067	1	\$38.59	\$98.4
A2	DWR1360D064	PLASTIC EXTRUSION,15",SYNERGY SEAT,QUICK RELEASE	1	\$26.46	\$67.47
A3	SCRSHFH1078	SCREW, SHFH,BLACK ZINC,1/4-20 X 1.75",GRADE 8	3	\$1.1	\$2.81
A4	NUTNYLK1014	NUT, NYLOCK,BLACK ZINC,1/4-20	3	\$1.16	\$2.96
A5	SCRSETS1085	SCREW,SET,BLACK ZINC,1/4-20 X 0.250",CUP POINT,W/PATCH	2	\$1.1	\$2.81
A6	DWR1360B009	MOUNTING BRACKET,STEM MOUNT PLATE,SYNERGY SEAT	2	N/A	N/A
A7	DWR1600A052	SPACER,BLACK ZINC,STEEL,0.328" ID X 0.50" OD X 0.20" TH	4	\$1.15	\$2.92
A8	SCRHHCS1241	SCREW,HHCS,BLACK ZINC,5/16-18 X 0.75",GRADE 8,W/PATCH	4	\$1.12	\$2.86
B1 - B13	FRMASMB6975	SEAT FRAME,ASSY,SIDE RAIL,14"W-18"W,SYNERGY SEAT,QUICK RELEASE,RIGHT,TEXTURED,E-1360-093	1	N/A	N/A
B1	DWR1360E047B	SEAT FRAME,SIDE RAIL,14"D-18"D,SYNERGY SEAT,TEXTURED	1	\$31.97	\$81.53
B2	DWR1360B048	EXTRUSION END CAP,SYNERGY SEAT,T-SLOT OPEN END	1	\$1.16	\$2.95
B3	DWR1360B074	EXTRUSION END CAP,SYNERGY SEAT,QUICK RELEASE,SIDE RAIL,B-1360-074	1	N/A	N/A
B4	SCRASBH1094	SCREW,BHSCS,BLACK ZINC,10-32 X 0.4375",GR 8,W/PATCH	3	\$1.16	\$2.95
B5	SCRSHFH1036	SCREW,SHFH,BLACK ZINC,8-32 X 0.50",GRADE 8,W/NYLON PATCH	4	\$1.12	\$2.86
B6	INDPART2336	QUICK RELEASE PIN,5/16 X 2.00" GRIP LENGTH,SYNERGY SEAT	1	N/A	N/A
B7	LANWIRE1003	LANYARD WIRE,3/64" X 6"L,PVC COATED,W/LOOPED ENDS	1	\$5.51	\$14.06
B8	WASSTND1002	WASHER,FLAT,BLACK ZINC,0.3125" ID X 0.6875" OD X 0.0625" TH	2	\$1.18	\$3.01
B9	SCRHHCS1300	SCREW,HHCS,BLACK ZINC,5/16-18 X 1.00",GR 8,W/PATCH	1	\$1.16	\$2.95
B10	DWR1600B122B	SEAT FRAME,SECUREMENT BRACKET WELDMENT,TEXTURED	1	\$17.89	\$45.62
B11	SCRHHCS1241	SCREW,HHCS,BLACK ZINC,5/16-18 X 0.75",GR 8,W/PATCH	1	\$1.12	\$2.86
B12	SCRHHCS1478	SCREW, HHCS,BLACK ZINC,5/16-18 X 2.00",FULLY THREADED,SAE J428,GRADE 8,W/NYLON PATCH,B-1005-127	1	\$1.12	\$2.86
B13	DWR1360A004	T-NUT,5/16-18 X 0.875",A-1360-004	2	\$2.37	\$6.03
C1 - C12	FRMASMB6974	SEAT FRAME,ASSY,SIDE RAIL,14"D-18"D,SYNERGY SEAT,QUICK RELEASE,LEFT,TEXTURED,E-1360-096	1	\$77.18	\$196.8
C1	DWR1360E087B	SEAT FRAME,SIDE RAIL,14"D-18"D,TAPPED,SYNERGY SEAT,QUICK RELEASE,LEFT,TEXTURED,E-1360-087	1	\$37.49	\$95.59
C2	DWR1360B048	EXTRUSION END CAP,SYNERGY SEAT,T-SLOT OPEN END	1	\$1.16	\$2.95
C3	DWR1360B074	EXTRUSION END CAP,SYNERGY SEAT,QUICK RELEASE,SIDE RAIL	1	N/A	N/A
C4	FRMASMB6686	PLUNGER,ASSY,SYNERGY SEAT,QUICK RELEASE,B-1360-054	1	\$26.46	\$67.47
C5	SCRSHFH1036	SCREW,SHFH,BLACK ZINC,8-32 X 0.50",GRADE 8,W/NYLON PATCH	3	\$1.12	\$2.86
C6	SCRSHFH1079	SCREW,SHFH,BLACK ZINC,8-32 X 0.875",GR 8,W/PATCH	1	\$1.1	\$2.81
C7	WASUSS1011	WASHER,FLAT,BLACK ZINC,3/8,0.4375"ID X 1.00"OD X 0.064"TH	1	\$1.1	\$2.81
C8	SCRASBH1094	SCREW,BHSCS,BLACK ZINC,10-32 X 0.4375",GR 8,W/PATCH	3	\$1.16	\$2.95
C9	DWR1600B122B	SEAT FRAME,SECUREMENT BRACKET WELDMENT,TEXTURED	1	\$17.89	\$45.62
C10	SCRHHCS1241	SCREW,HHCS,BLACK ZINC,5/16-18 X 0.75",GR 8,W/PATCH	1	\$1.12	\$2.86
C11	SCRHHCS1478	SCREW, HHCS,BLACK ZINC,5/16-18 X 2.00",FULLY THREADED,SAE J428,GRADE 8,W/NYLON PATCH,B-1005-127	1	\$1.12	\$2.86
C12	DWR1360A004	T-NUT,5/16-18 X 0.875",A-1360-004	2	\$2.37	\$6.03

Notes :

Securement brackets, shown as B10 and C9, are only to be utilized when the Seating System is unoccupied.

*A1 - A8 Both assemblies contain identical parts. There are left and right sides for assembly purposes.

III. Quick Release Side Rail Assembly — 15"-20" Depth



III. Quick Release Side Rail Assembly — 15”-20” Depth

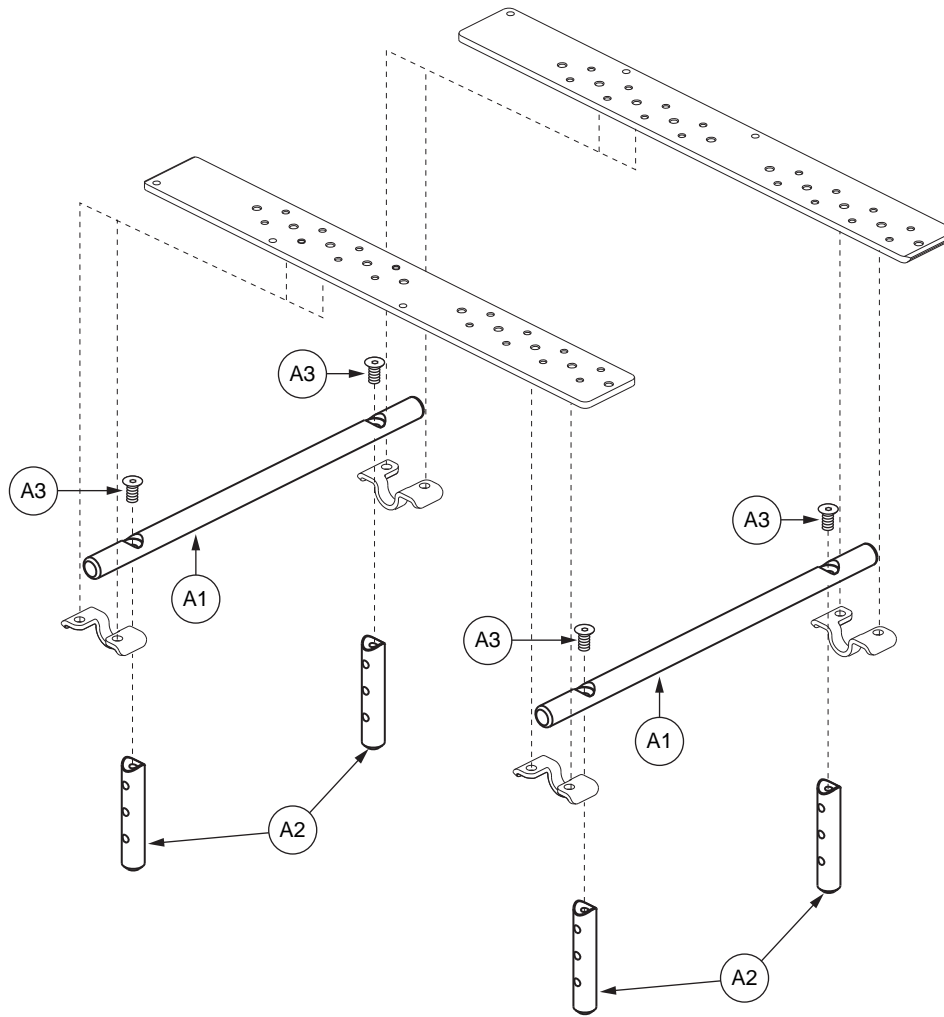


REF #	PART #	DESCRIPTION	QTY	Dealer \$	MSRP	11i
A1 - C12	FRMASMB6980	SEAT FRAME,ASSY,SIDE RAIL,15"D-20"D,SYNERGY SEAT W/QUICK RELEASE,TEXTURED	1	\$341.78	\$871.53	
*A1 - A8	FRMASMB6682	RAIL,ASSY,BASE,21",SYNERGY SEAT,QUICK RELEASE,RIGHT	1	\$72.77	\$185.55	
*A1 - A8	FRMASMB6683	RAIL,ASSY,BASE,21",SYNERGY SEAT,QUICK RELEASE,LEFT	1	\$72.77	\$185.55	
A1	DWR1360E067	QUICK RELEASE PLATE,21",SYNERGY SEAT,E-1360-067	1	\$38.59	\$98.4	
A2	DWR1360D064	PLASTIC EXTRUSION,15",SYNERGY SEAT,QUICK RELEASE	1	\$26.46	\$67.47	
A3	SCRSHFH1078	SCREW, SHFH,BLACK ZINC,1/4-20 X 1.75",GRADE 8	3	\$1.1	\$2.81	
A4	NUTNYLK1014	NUT, NYLOCK,BLACK ZINC,1/4-20	3	\$1.16	\$2.96	
A5	SCRSETS1085	SCREW,SET,BLACK ZINC,1/4-20 X 0.250",CUP POINT,W/PATCH	2	\$1.1	\$2.81	
A6	DWR1360B009	MOUNTING BRACKET,STEM MOUNT PLATE,SYNERGY SEAT	2	N/A	N/A	
A7	DWR1600A052	SPACER,BLACK ZINC,STEEL,0.328" ID X 0.50" OD X 0.20" TH	4	\$1.15	\$2.92	
A8	SCRHHCS1241	SCREW,HHCS,BLACK ZINC,5/16-18 X 0.75",GR 8,W/PATCH	4	\$1.12	\$2.86	
B1 - B13	FRMASMB6977	SEAT FRAME,ASSY,SIDE RAIL,15"D-20"D,SYNERGY SEAT,QUICK RELEASE,RIGHT,TEXTURED,E-1360-092	1	\$77.18	\$196.8	
B1	DWR1360E005B	SEAT FRAME,SIDE RAIL,15"D-20"D,SYNERGY SEAT,TEXTURED	1	N/A	N/A	
B2	DWR1360B048	EXTRUSION END CAP,SYNERGY SEAT,T-SLOT OPEN END	1	\$1.16	\$2.95	
B3	DWR1360B074	EXTRUSION END CAP,SYNERGY SEAT,QUICK RELEASE,SIDE RAIL	1	N/A	N/A	
B4	SCRASBH1094	SCREW,BHSCS,BLACK ZINC,10-32 X 0.4375",GR 8,W/PATCH	3	\$1.16	\$2.95	
B5	SCRSHFH1036	SCREW,SHFH,BLACK ZINC,8-32 X 0.50",GRADE 8,W/NYLON PATCH	4	\$1.12	\$2.86	
B6	INDPART2336	QUICK RELEASE PIN,5/16 X 2.00" GRIP LENGTH,SYNERGY SEAT	1	N/A	N/A	
B7	LANWIRE1003	LANYARD WIRE,3/64" X 6"L,PVC COATED,W/LOOPED ENDS	1	\$5.51	\$14.06	
B8	WASSTND1002	WASHER,FLAT,BLACK ZINC,0.3125" ID X 0.6875" OD X 0.0625" TH	2	\$1.18	\$3.01	
B9	SCRHHCS1300	SCREW,HHCS,BLACK ZINC,5/16-18 X 1.00",GR 8,W/PATCH	1	\$1.16	\$2.95	
B10	DWR1600B122B	SEAT FRAME,SECUREMENT BRACKET WELDMENT,TEXTURED	1	\$17.89	\$45.62	
B11	SCRHHCS1241	SCREW,HHCS,BLACK ZINC,5/16-18 X 0.75",GR 8,W/PATCH	1	\$1.12	\$2.86	
B12	SCRHHCS1478	SCREW, HHCS,BLACK ZINC,5/16-18 X 2.00",FULLY THREADED,SAE J428,GRADE 8,W/NYLON PATCH,B-1005-127	1	\$1.12	\$2.86	
B13	DWR1360A004	T-NUT,5/16-18 X 0.875",A-1360-004	2	\$2.37	\$6.03	
C1 - C12	FRMASMB6976	SIDE RAIL,ASSY,15"D-20"D,SYNERGY SEAT,QUICK RELEASE,LEFT,TEXTURED,E-1360-095	1	\$77.18	\$196.8	
C1	DWR1360E086B	SEAT FRAME,SIDE RAIL,15"D-20"D,TAPPED,SYNERGY SEAT,QUICK RELEASE,LEFT,TEXTURED,E-1360-086	1	\$38.59	\$98.4	
C2	DWR1360B048	EXTRUSION END CAP,SYNERGY SEAT,T-SLOT OPEN END	1	\$1.16	\$2.95	
C3	DWR1360B074	EXTRUSION END CAP,SYNERGY SEAT,QUICK RELEASE,SIDE RAIL	1	N/A	N/A	
C4	FRMASMB6686	PLUNGER,ASSY,SYNERGY SEAT,QUICK RELEASE,B-1360-054	1	\$26.46	\$67.47	
C5	SCRSHFH1036	SCREW,SHFH,BLACK ZINC,8-32 X 0.50",GRADE 8,W/NYLON PATCH	3	\$1.12	\$2.86	
C6	SCRSHFH1079	SCREW, SHFH,BLACK ZINC,8-32 X 0.875",GR 8,W/PATCH	1	\$1.1	\$2.81	
C7	WASUSS1011	WASHER,FLAT,BLACK ZINC,3/8,0.4375"ID X 1.00"OD X 0.064"TH	1	\$1.1	\$2.81	
C8	SCRASBH1094	SCREW,BHSCS,BLACK ZINC,10-32 X 0.4375",GR 8,W/PATCH	3	\$1.16	\$2.95	
C9	DWR1600B122B	SEAT FRAME,SECUREMENT BRACKET WELDMENT,TEXTURED	1	\$17.89	\$45.62	
C10	SCRHHCS1241	SCREW,HHCS,BLACK ZINC,5/16-18 X 0.75",GR 8,W/PATCH	1	\$1.12	\$2.86	
C11	SCRHHCS1478	SCREW, HHCS,BLACK ZINC,5/16-18 X 2.00",FULLY THREADED,SAE J428,GRADE 8,W/NYLON PATCH,B-1005-127	1	\$1.12	\$2.86	
C12	DWR1360A004	T-NUT,5/16-18 X 0.875",A-1360-004	2	\$2.37	\$6.03	

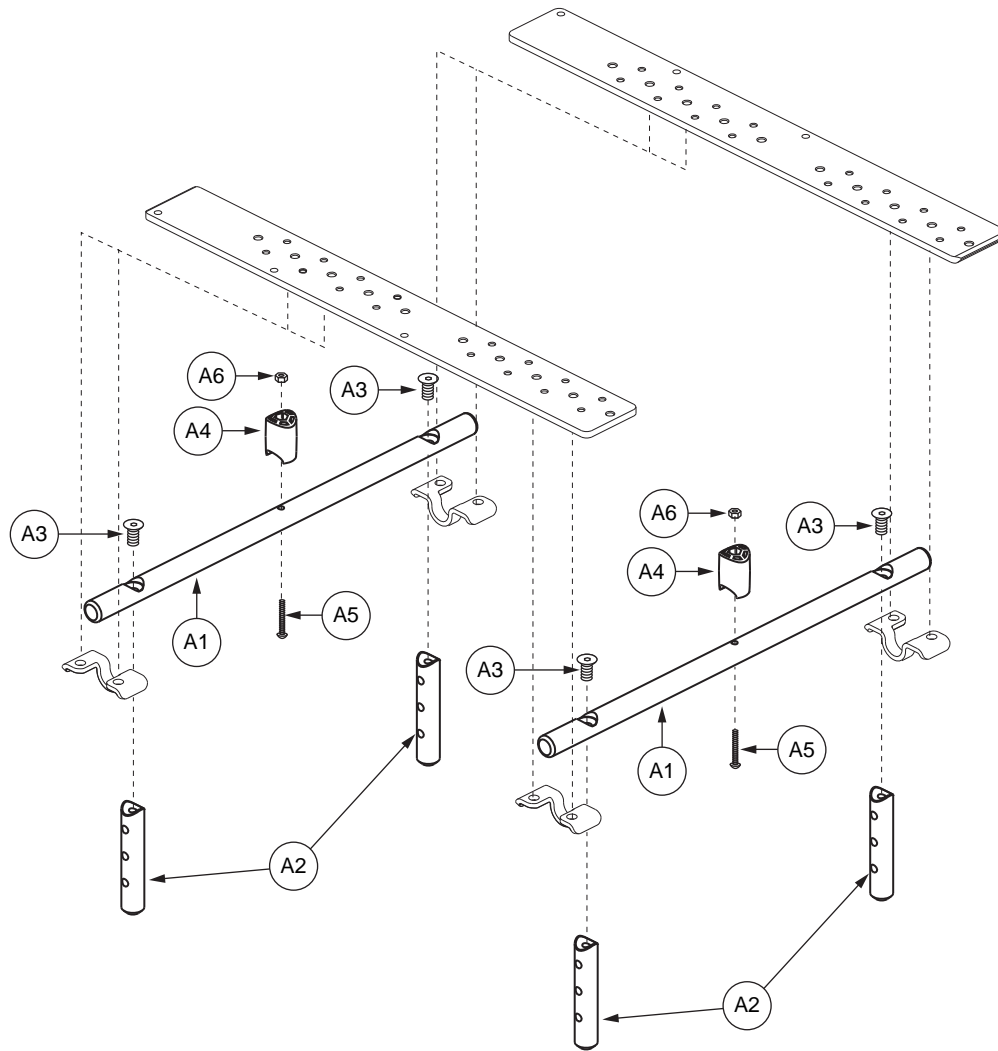
Notes :

Securement brackets, shown as B10 and C9, are only to be utilized when the Seating System is unoccupied.

*A1 - A8 Both assemblies contain identical parts. There are left and right sides for assembly purposes.



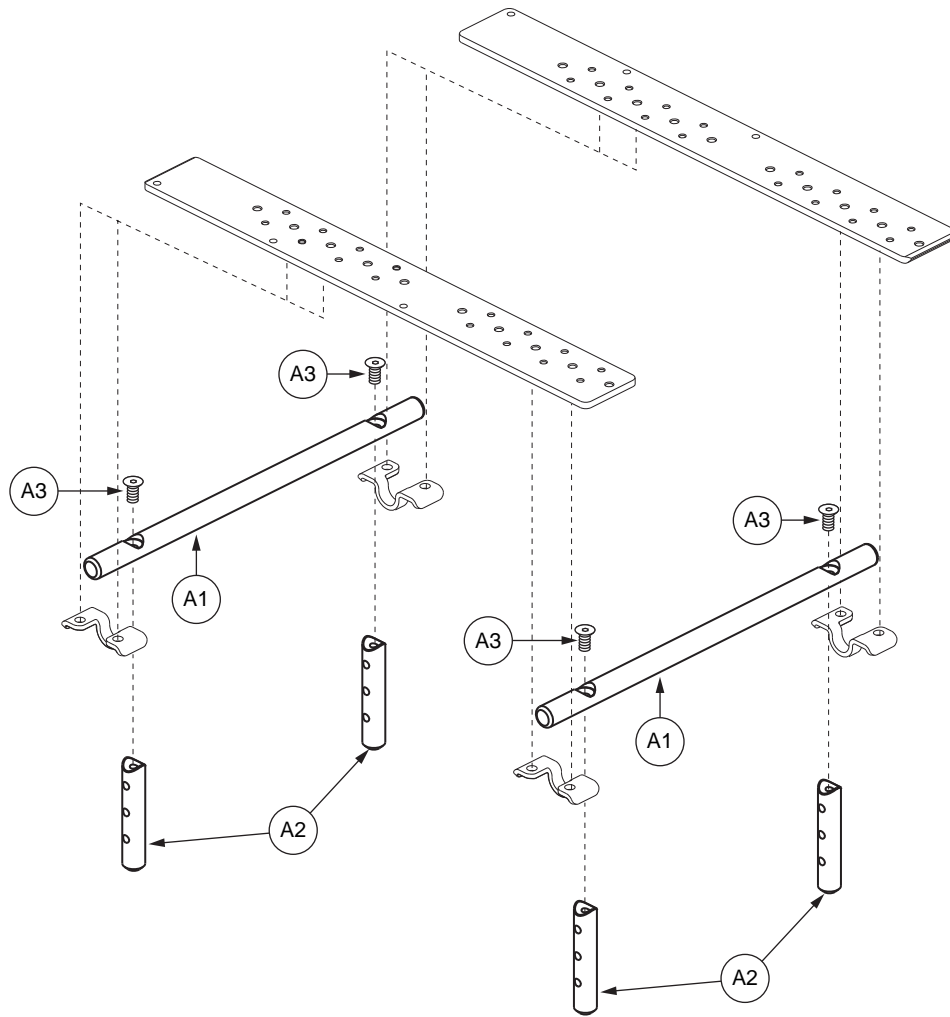
REF #	PART #	DESCRIPTION	QTY	Dealer \$	MSRP	11i
A1 - A3	FRMASMB6707	STEM MOUNT, ASSY, 10"W-14"W, 16.125" CENTERS, SYNERGY SEAT W/QUICK RELEASE	1	\$65.05	\$165.87	
A1 - A3	FRMASMB6469	HORIZONTAL STEM SUPPORT, ASSY, 10"W-14"W, 16.125" CENTERS, 3-HOLE, SYNERGY SEAT, C-1360-120	2	\$31.97	\$81.53	
A1	DWR1360D021	HORIZONTAL STEM SUPPORT, 10"W-18"W, 16.120" CENTERS, SYNERGY SEAT	1	\$12.13	\$30.93	
A2	DWR1360B020	VERTICAL STEM SUPPORT, 3-HOLE, VERSA SEAT G2	2	N/A	N/A	
A3	SCRSHFH1071	SCREW, SHFH, BLACK ZINC, 5/16-18 X 0.875", GR 8, W/PATCH	2	\$1.1	\$2.81	



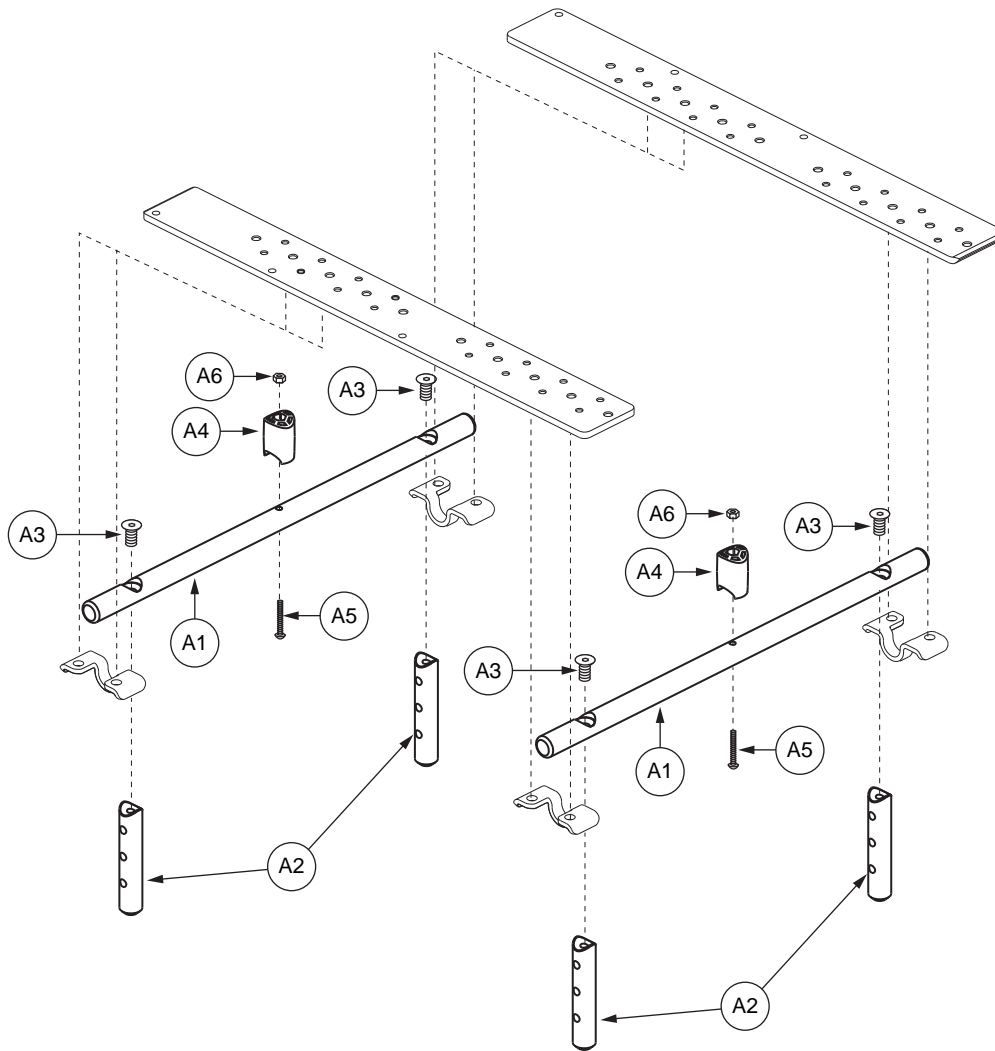
REF #	PART #	DESCRIPTION	QTY	Dealer \$	MSRP	11i
*A1 - A6	FRMASMB6708	STEM MOUNT,ASSY,14"W-18"W,16.125" CENTERS,SYNERGY SEAT W/QUICK RELEASE	1	\$70.56	\$179.93	
*A1 - A6	FRMASMB6709	STEM MOUNT,ASSY,16"W-20"W, 16.125" CENTERS,SYNERGY SEAT W/QUICK RELEASE	1	\$70.56	\$179.93	
A1 - A6	FRMASMB6470	HORIZONTAL STEM SUPPORT,ASSY,14"W-20"W,16.125" CENTERS,3-HOLE,SYNERGY SEAT,C-1360-121	2	\$35.28	\$89.96	
A1	DWR1360D008	HORIZONTAL STEM SUPPORT,14"W-20"W,16.120" CENTERS,SYNERGY SEAT	1	N/A	N/A	
A2	DWR1360B020	VERTICAL STEM SUPPORT,3-HOLE,VERSA SEAT G2	2	N/A	N/A	
A3	SCRSHFH1071	SCREW,SHFH,BLACK ZINC,5/16-18 X 0.875",GR 8,W/PATCH	2	\$1.1	\$2.81	
A4	DWR1360B021	SEAT PAN STAND-OFF,SYNERGY SEAT,B-1360-021	1	N/A	N/A	
A5	SCRASBH1101	SCREW,BHSCS,BLACK ZINC,10-32 X 1.75"	1	\$1.1	\$2.81	
A6	NUTNYLK1001	NUT,NYLOCK,BLACK ZINC,10-32	1	\$1.16	\$2.96	

Notes :

*A1 - A6 Both assemblies contain identical parts. There are different part numbers for assembly purposes.



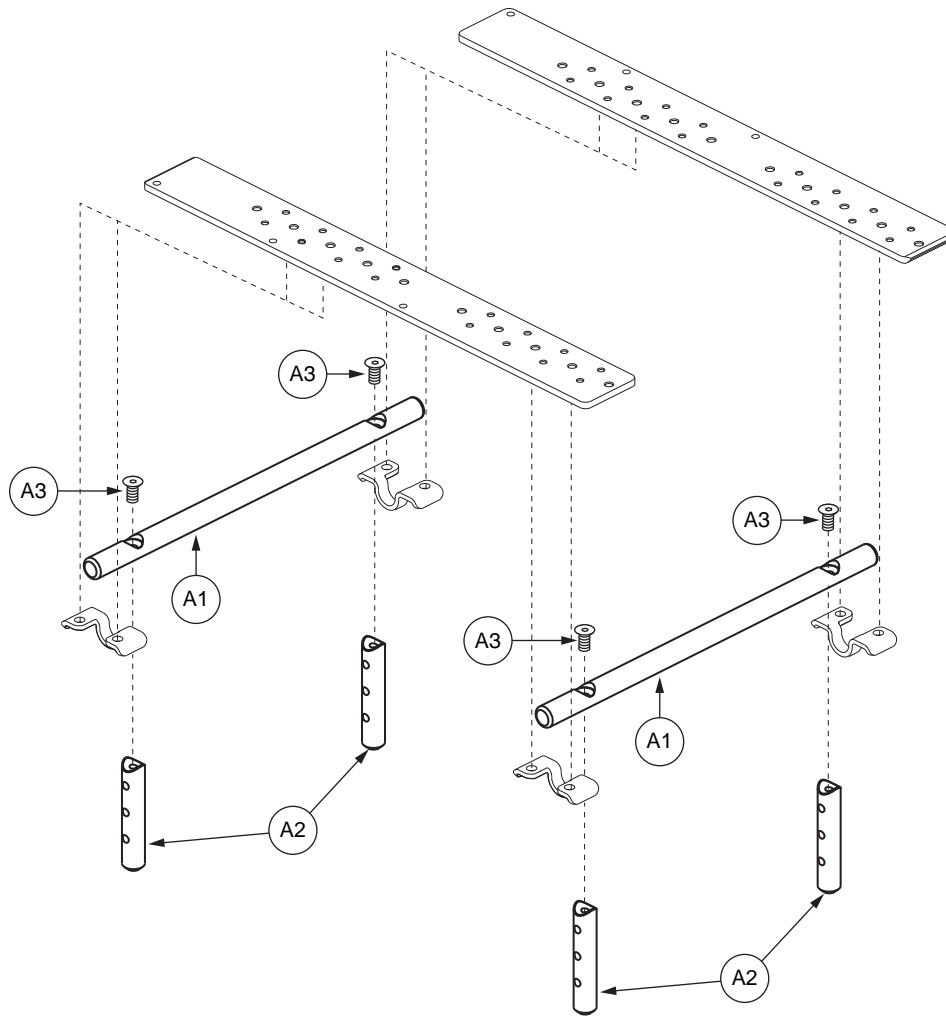
REF #	PART #	DESCRIPTION	QTY	Dealer \$	MSRP	11i
A1 - A3	FRMASMB6710	STEM MOUNT,ASSY,10"W-14"W, 14.322" CENTERS,SYNERGY SEAT W/QUICK RELEASE	1	\$63.95	\$163.06	
A1 - A3	FRMASMB6467	HORIZONTAL STEM SUPPORT,ASSY,10"W-14"W,14.322" CENTERS,3-HOLE,SYNERGY SEAT,C-1360-118	2	\$31.97	\$81.53	
A1	DWR1360D019	HORIZONTAL STEM SUPPORT,10"W-16"W,14.322" CENTERS,SYNERGY SEAT	1	N/A	N/A	
A2	DWR1360B020	VERTICAL STEM SUPPORT,3-HOLE,VERSA SEAT G2	2	N/A	N/A	
A3	SCRSHFH1071	SCREW, SHFH, BLACK ZINC, 5/16-18 X 0.875", GR 8, W/PATCH	2	\$1.1	\$2.81	



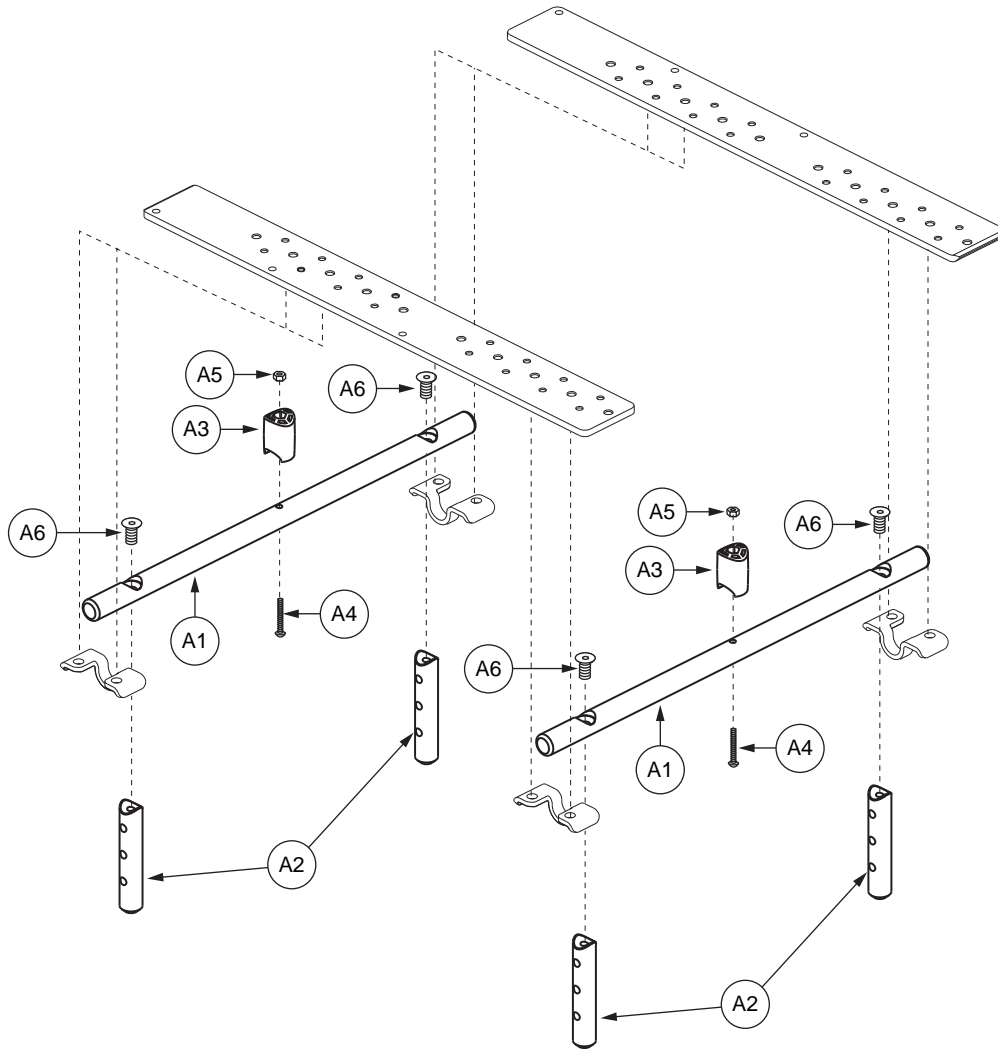
REF #	PART #	DESCRIPTION	QTY	Dealer \$	11i MSRP
*A1 - A6	FRMASMB6711	STEM MOUNT,ASSY,14"W-18"W, 14.322" CENTERS,SYNERGY SEAT W/QUICK RELEASE	1	\$69.46	\$177.12
*A1 - A6	FRMASMB6712	STEM MOUNT,ASSY,16"W-20"W, 14.322" CENTERS,SYNERGY SEAT W/QUICK RELEASE	1	\$69.46	\$177.12
A1 - A6	FRMASMB6468	HORIZONTAL STEM SUPPORT,ASSY,14"W-20"W,14.322" CENTERS,3-HOLE,SYNERGY SEAT,C-1360-119	2	\$37.04	\$94.46
A1	DWR1360D007	HORIZONTAL STEM SUPPORT,14"W-20"W,14.322" CENTERS,SYNERGY SEAT	1	N/A	N/A
A2	DWR1360B020	VERTICAL STEM SUPPORT,3-HOLE,VERSA SEAT G2	2	N/A	N/A
A3	SCRSHFH1071	SCREW,SHFH,BLACK ZINC,5/16-18 X 0.875",GR 8,W/PATCH	2	\$1.1	\$2.81
A4	DWR1360B021	SEAT PAN STAND-OFF,SYNERGY SEAT,B-1360-021	1	N/A	N/A
A5	SCRASBH1101	SCREW,BHSCS,BLACK ZINC,10-32 X 1.75"	1	\$1.1	\$2.81
A6	NUTNYLK1001	NUT,NYLOCK,BLACK ZINC,10-32	1	\$1.16	\$2.96

Notes :

*A1 - A6 Both of these assemblies use identical parts. The two different FRMASMB numbers are for installation purposes.



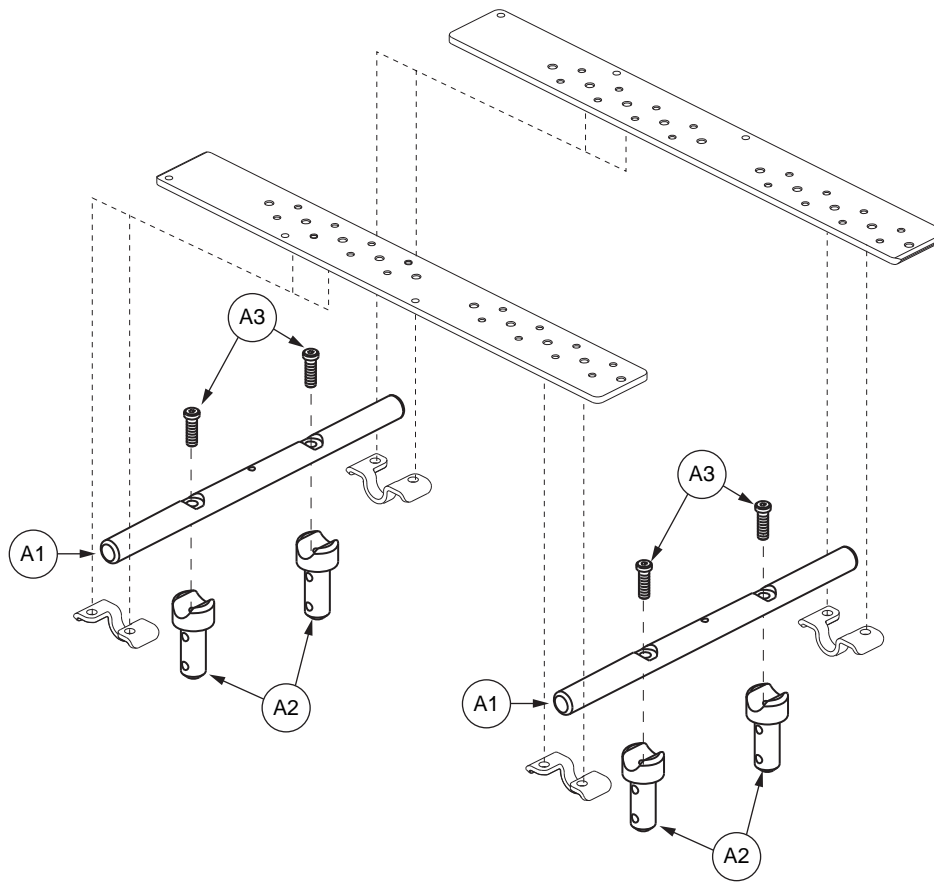
REF #	PART #	DESCRIPTION	QTY	Dealer \$	11i MSRP
A1 - A3	FRMASMB6713	STEM MOUNT,ASSY,10"W-14"W, 13.625" CENTERS,SYNERGY SEAT W/QUICK RELEASE	1	\$62.84	\$160.25
A1 - A3	FRMASMB4675	HORIZONTAL STEM SUPPORT,ASSY,10"W-16"W,13.625" CENTERS,3-HOLE,SYNERGY SEAT,C-1360-044	2	\$31.97	\$81.53
A1	DWR1360D020	HORIZONTAL STEM SUPPORT,10"W-16"W,13.625" CENTERS,SYNERGY SEAT	1	\$11.03	\$28.11
A2	DWR1360B020	VERTICAL STEM SUPPORT,3-HOLE,VERSA SEAT G2	2	N/A	N/A
A3	SCRSHFH1071	SCREW, SHFH, BLACK ZINC, 5/16-18 X 0.875", GR 8, W/PATCH	2	\$1.1	\$2.81



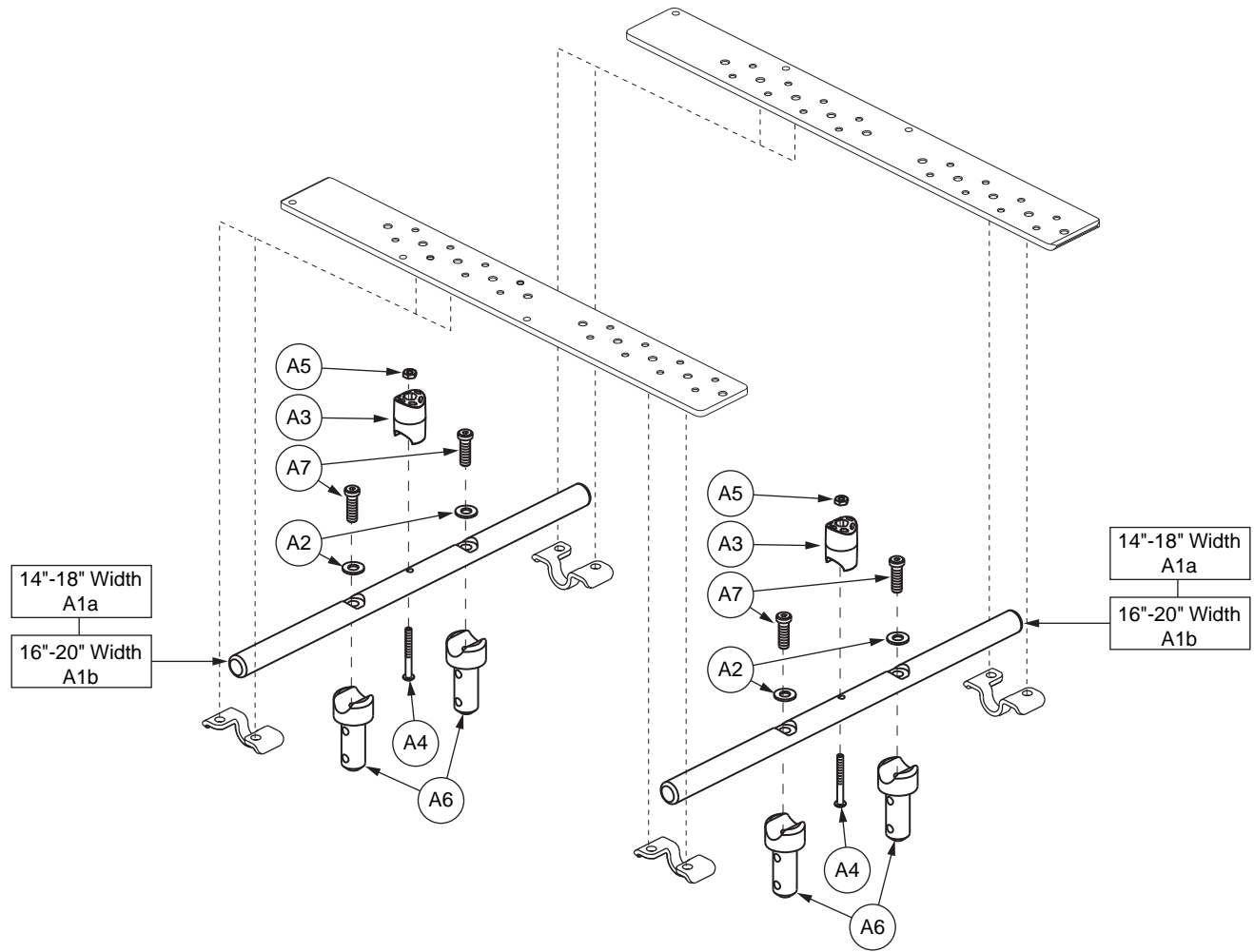
REF #	PART #	DESCRIPTION	QTY	Dealer \$	11i MSRP
*A1 - A6	FRMASMB6714	STEM MOUNT,ASSY,14"W-18"W, 13.625" CENTERS,SYNERGY SEAT W/QUICK RELEASE	1	\$69.46	\$177.12
*A1 - A6	FRMASMB6715	STEM MOUNT,ASSY,16"W-20"W, 13.625" CENTERS,SYNERGY SEAT W/QUICK RELEASE	1	\$69.46	\$177.12
A1 - A6	FRMASMB4677	HORIZONTAL STEM SUPPORT,ASSY,14"W-20"W,13.625" CENTERS,3-HOLE,SYNERGY SEAT,C-1360-043	2	\$40.79	\$104.02
A1	DWR1360D003	HORIZONTAL STEM SUPPORT,14"W-20"W,13.625" CENTERS,SYNERGY SEAT	1	N/A	N/A
A2	DWR1360B020	VERTICAL STEM SUPPORT,3-HOLE,VERSA SEAT G2	2	N/A	N/A
A3	DWR1360B021	SEAT PAN STAND-OFF,SYNERGY SEAT,B-1360-021	1	N/A	N/A
A4	SCRSHCS1083	SCREW,SHCS,BLACK ZINC,10-32 X 1.50",GRADE 8	1	\$1.1	\$2.81
A5	NUTNYLK1001	NUT,NYLOCK,BLACK ZINC,10-32	1	\$1.16	\$2.96
A6	SCRSHFH1071	SCREW,SHFH,BLACK ZINC,5/16-18 X 0.875",GR 8,W/PATCH	2	\$1.1	\$2.81

Notes :

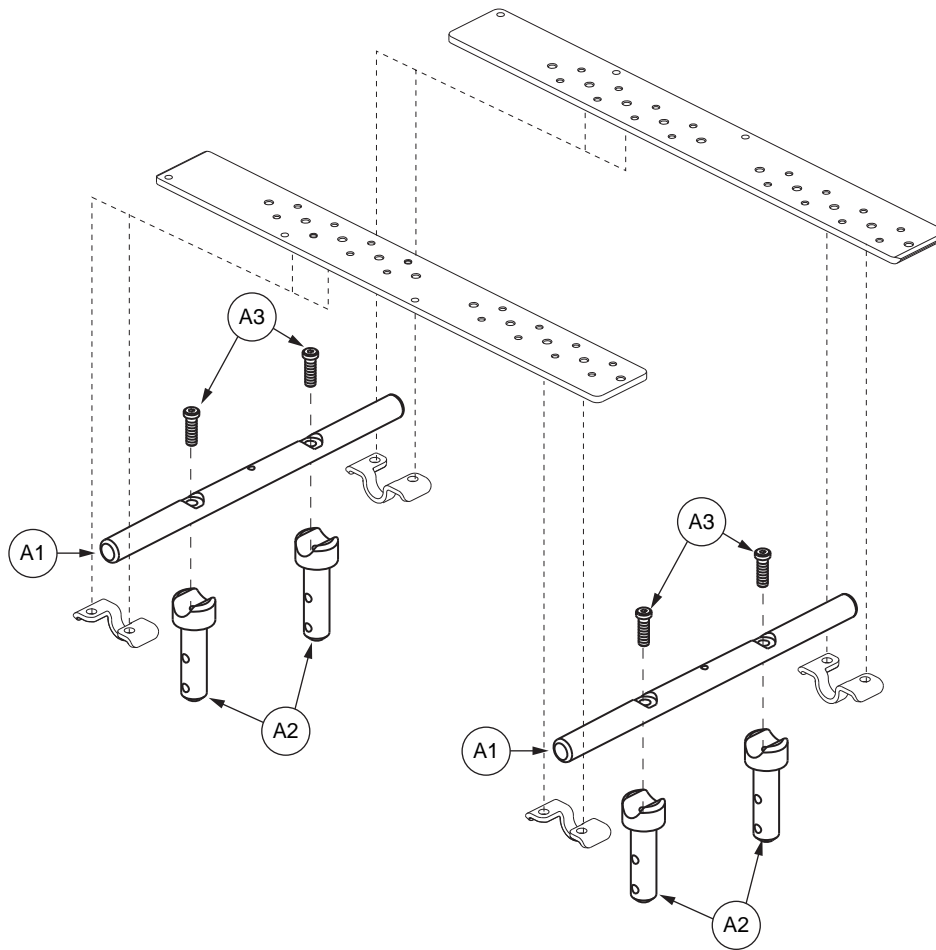
*A1 - A6 Both of these assemblies use identical parts. The two different FRMASMB numbers are for installation purposes.



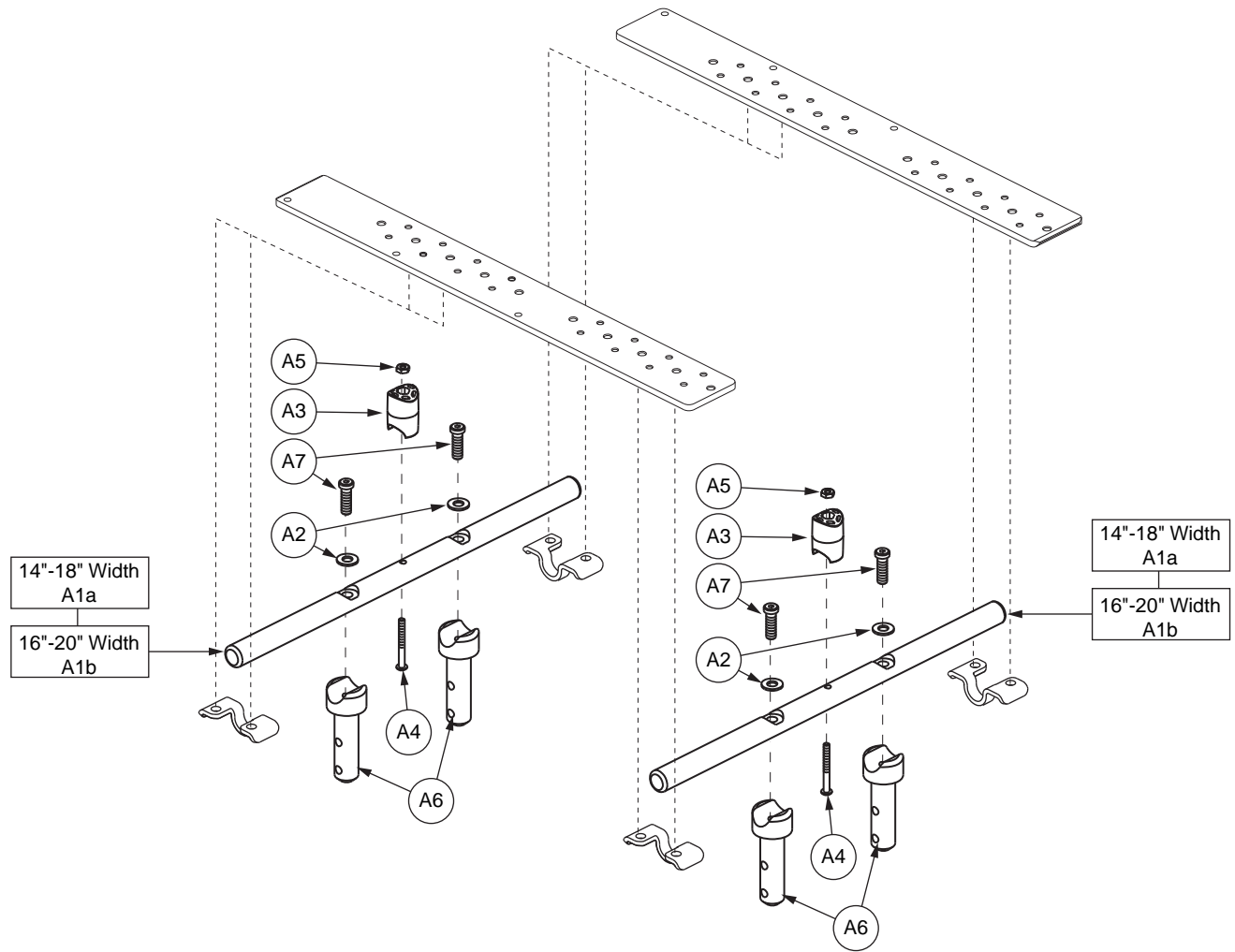
REF #	PART #	DESCRIPTION	QTY	Dealer \$	11i MSRP
A1 - A3	FRMASMB9674	STEM MOUNT, ASSY, 10"W-14"W, 5.039" CENTERS, 2.625"H, SYNERGY SEAT W/QUICK RELEASE	1	\$68.36	\$174.31
A1 - A3	FRMASMB6950	HORIZONTAL STEM SUPPORT, ASSY, 10"W-14"W, 5.039" CENTERS, 2.625"H, SYNERGY SEAT, C-1360-134	2	\$34.18	\$87.15
A1	DWR1054D031	HORIZONTAL STEM SUPPORT, 10"W-14"W, 5.039" CENTERS, SYNERGY SEAT, D-1054-031	1	\$20.95	\$53.42
A2	DWR1054C029	VERTICAL STEM SUPPORT, 2-HOLE, 2.625"H, SYNERGY SEAT	2	N/A	N/A
A3	SCRSHCS1086	SCREW, SHCS, BLACK ZINC, 5/16-18 X 1.00", LOW HEAD, GRADE 8, W/NYLON PATCH, (UNBRAKO: 72531-H3L-5C-16B)	2	\$1.1	\$2.81



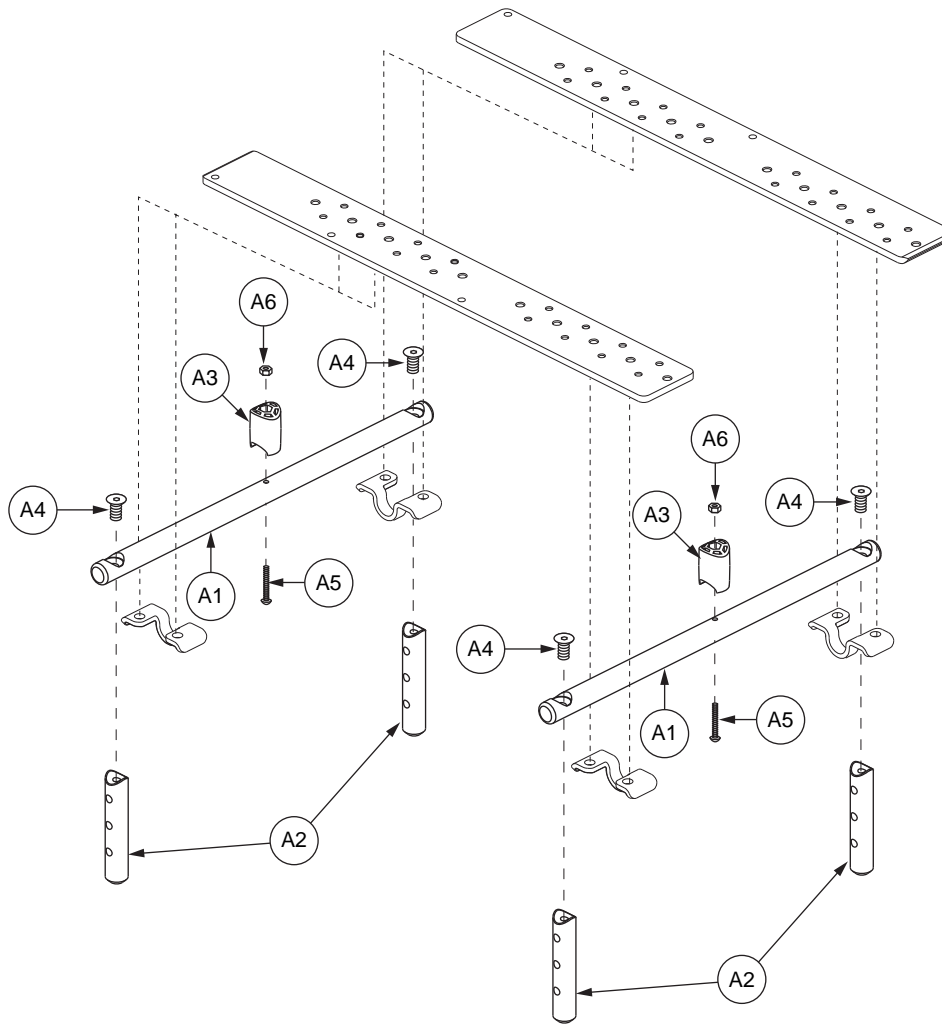
REF #	PART #	DESCRIPTION	QTY	Dealer \$	MSRP	11i
A1a - A7	FRMASMB9675	STEM MOUNT,ASSY,14"W-18"W,5.039" CENTERS,2.625"H,SYNERGY SEAT W/QUICK RELEASE,PAIR	1	\$68.36	\$174.31	
A1b - A7	FRMASMB9676	STEM MOUNT,16"W-20"W,5.039" CENTERS,2.625"H,SYNERGY SEAT W/QUICK RELEASE,PAIR	1	\$70.56	\$179.93	
A1a - A7	FRMASMB6951	HORIZONTAL STEM SUPPORT,ASSY,14"W-18"W,5.039" CENTERS,2.625"H,SYNERGY SEAT,E-1360-151	2	\$34.18	\$87.15	
A1b - A7	FRMASMB6952	HORIZONTAL STEM SUPPORT,ASSY,16"W-20"W,5.039" CENTERS,2.625"H,SYNERGY SEAT,E-1360-152	2	\$35.28	\$89.96	
A1a	DWR1054C024	HORIZONTAL STEM SUPPORT,14"W-18"W,5.039" CENTERS,SYNERGY SEAT,C-1054-024	1	N/A	N/A	
A1b	DWR1054C022	HORIZONTAL STEM SUPPORT,16"W-20"W,5.039" CENTERS,SYNERGY SEAT,C-1054-022	1	N/A	N/A	
A2	WASSTND1002	WASHER,FLAT,BLACK ZINC,0.3125"ID X 0.6875"OD X 0.0625"TH	2	\$1.18	\$3.01	
A3	DWR1360B021	SEAT PAN STAND-OFF,SYNERGY SEAT,B-1360-021	1	N/A	N/A	
A4	SCRASBH1101	SCREW,BHSCS,BLACK ZINC,10-32 X 1.75"	2	\$1.1	\$2.81	
A5	NUTNYLK1001	NUT,NYLOCK,BLACK ZINC,10-32	2	\$1.16	\$2.96	
A6	DWR1054C029	VERTICAL STEM SUPPORT,2-HOLE,2.625"H,SYNERGY SEAT	2	N/A	N/A	
A7	SCRSHCS1086	SCREW,SHCS,BLACK ZINC,5/16-18 X 1.00",LOW HEAD,GRADE 8,W/NYLON PATCH,(UNBRAKO: 72531-H3L-5C-16B)	2	\$1.1	\$2.81	



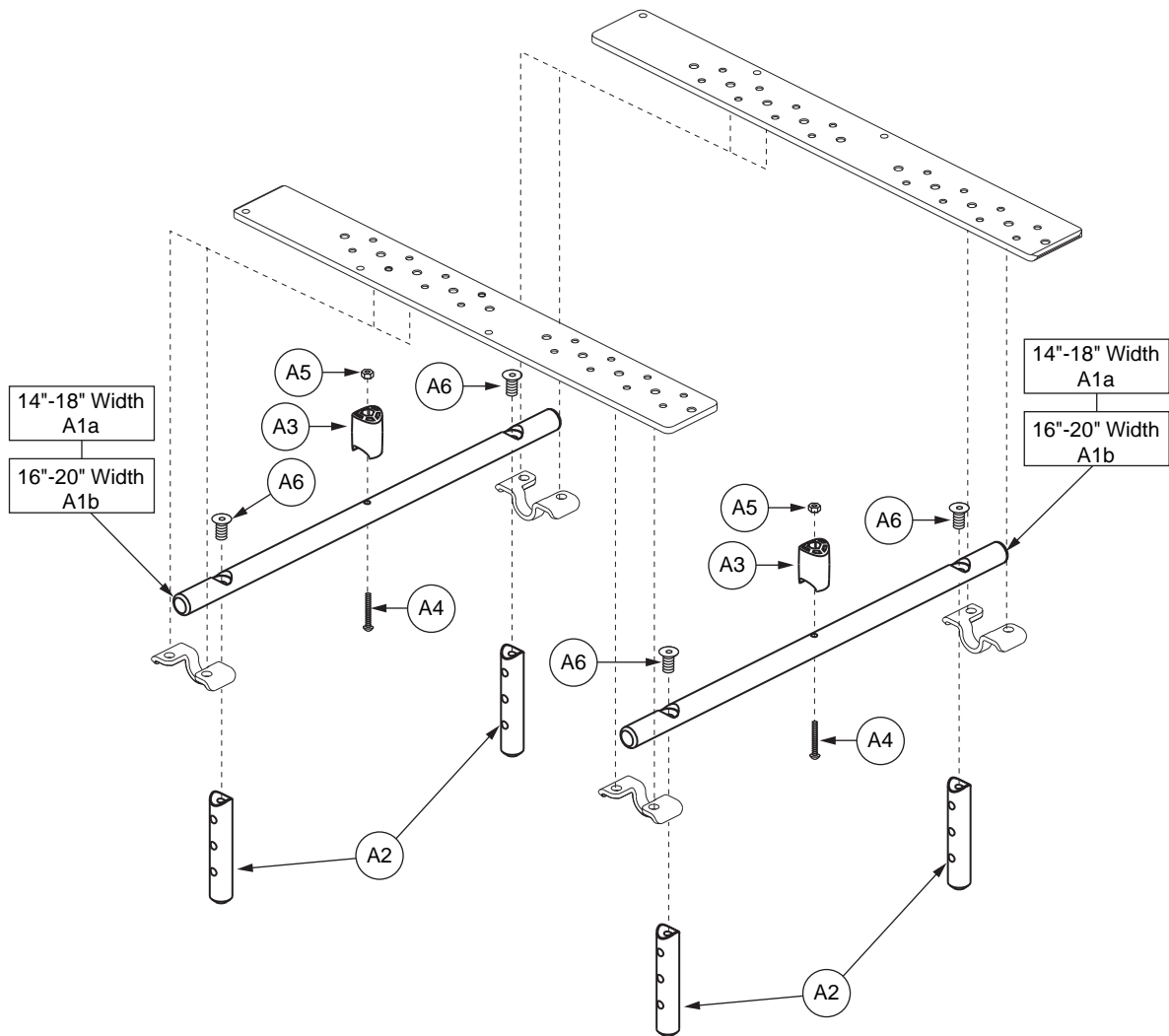
REF #	PART #	DESCRIPTION	QTY	Dealer \$	MSRP	11i
A1 - A3	FRMASMB9677	STEM MOUNT,10"W-14"W,5.039" CENTERS,3.375"H,SYNERGY SEAT W/QUICK RELEASE,PAIR	1	\$63.95	\$163.06	
A1 - A3	FRMASMB6953	HORIZONTAL STEM SUPPORT,ASSY,10"W-14"W,5.039" CENTERS,3.375"H,SYNERGY SEAT,C-1360-137	2	\$31.97	\$81.53	
A1	DWR1054D031	HORIZONTAL STEM SUPPORT,10"W-14"W,5.039" CENTERS,SYNERGY SEAT,D-1054-031	1	\$20.95	\$53.42	
A2	DWR1054C030	VERTICAL STEM SUPPORT,2-HOLE,3.375"H,SYNERGY SEAT	2	N/A	N/A	
A3	SCRSHCS1086	SCREW,SHCS,BLACK ZINC,5/16-18 X 1.00",LOW HEAD,GRADE 8,W/NYLON PATCH,(UNBRAKO: 72531-H3L-5C-16B)	2	\$1.1	\$2.81	



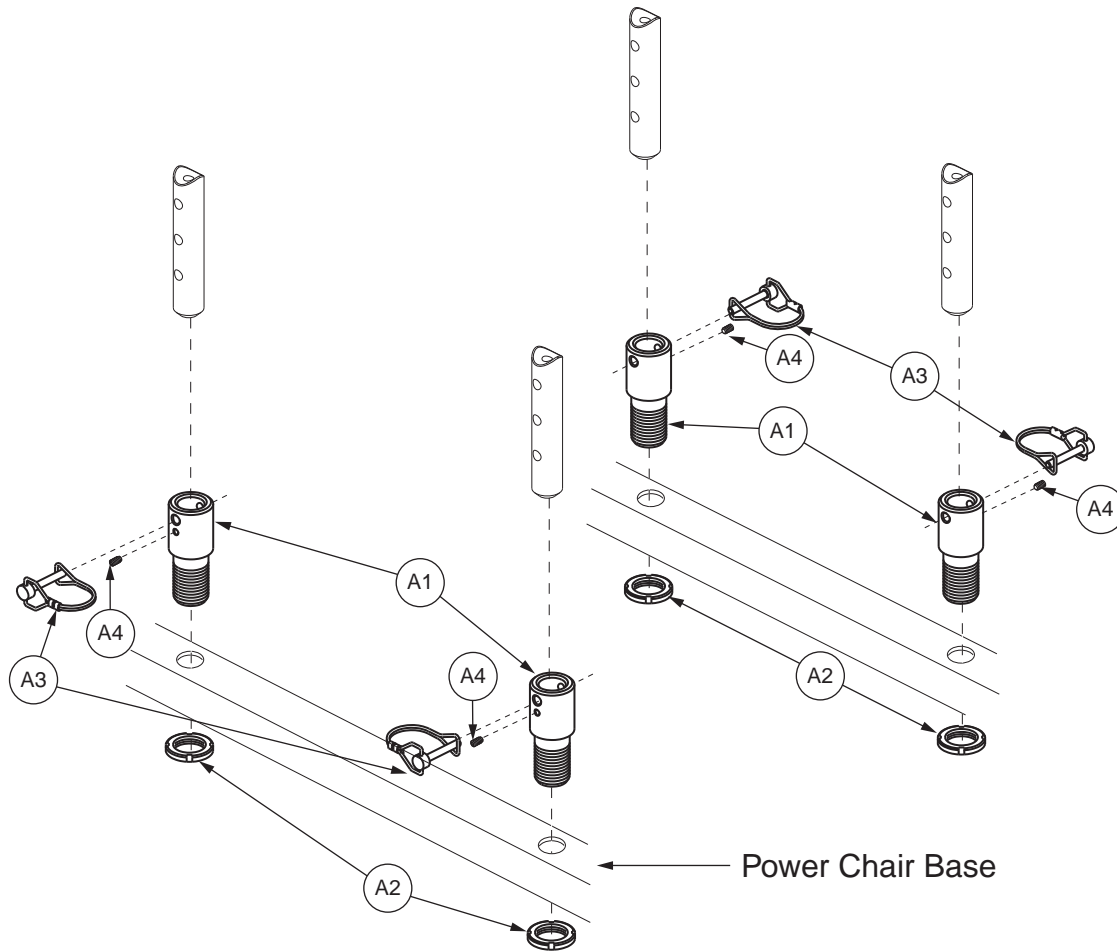
REF #	PART #	DESCRIPTION	QTY	Dealer \$	MSRP	11i
A1a - A7	FRMASMB9678	STEM MOUNT,ASSY,14"W-18"W,5.039" CENTERS,3.375"H,SYNERGY SEAT W/QUICK RELEASE,PAIR	1	\$70.56	\$179.93	
A1b - A7	FRMASMB9679	STEM MOUNT,ASSY,16"W-20"W,5.039" CENTERS,3.375"H,SYNERGY SEAT W/QUICK RELEASE,PAIR	1	\$68.36	\$174.31	
A1a - A7	FRMASMB6954	HORIZONTAL STEM SUPPORT,ASSY,14"W-18"W,5.039" CENTERS,3.375"H,SYNERGY SEAT,E-1360-154	2	\$35.28	\$89.96	
A1b - A7	FRMASMB6955	HORIZONTAL STEM SUPPORT,ASSY,16"W-20"W,5.039" CENTERS,3.375"H,SYNERGY SEAT,E-1360-153	2	\$36.38	\$92.78	
A1a	DWR1054C024	HORIZONTAL STEM SUPPORT,14"W-18"W,5.039" CENTERS,SYNERGY SEAT,C-1054-024	1	N/A	N/A	
A1b	DWR1054C022	HORIZONTAL STEM SUPPORT,16"W-20"W,5.039" CENTERS,SYNERGY SEAT,C-1054-022	1	N/A	N/A	
A2	WASSTND1002	WASHER,FLAT,BLACK ZINC,0.3125"ID X 0.6875"OD X 0.0625"TH	2	\$1.18	\$3.01	
A3	DWR1360B021	SEAT PAN STAND-OFF,SYNERGY SEAT,B-1360-021	1	N/A	N/A	
A4	SCRASBH1101	SCREW,BHSCS,BLACK ZINC,10-32 X 1.75"	1	\$1.1	\$2.81	
A5	NUTNYLK1001	NUT,NYLOCK,BLACK ZINC,10-32	1	\$1.16	\$2.96	
A6	DWR1054C030	VERTICAL STEM SUPPORT,2-HOLE,3.375"H,SYNERGY SEAT	2	N/A	N/A	
A7	SCRSHCS1086	SCREW,SHCS,BLACK ZINC,5/16-18 X 1.00",LOW HEAD,GRADE 8,W/NYLON PATCH,(UNBRAKO: 72531-H3L-5C-16B)	2	\$1.1	\$2.81	



REF #	PART #	DESCRIPTION	QTY	Dealer \$	MSRP	11i
A1 - A6	FRMASMB9680	STEM MOUNT,ASSY,10"W-14"W,12.795" CENTERS,SYNERGY SEAT W/QUICK RELEASE,PAIR	1	\$68.36	\$174.31	
A1 - A6	FRMASMB8400	HORIZONTAL STEM SUPPORT,ASSY,10"W-14"W,12.795" CENTERS,3-HOLE,SYNERGY SEAT,E-1360-185	2	N/A	N/A	
A1	DWR1360D076	HORIZONTAL STEM SUPPORT,10"W-14"W,12.795" CENTERS,SYNERGY SEAT,D-1360-076	1	\$14.33	\$36.55	
A2	DWR1360B020	VERTICAL STEM SUPPORT,3-HOLE,SYNERGY SEAT,B-1360-020	2	N/A	N/A	
A3	DWR1360B021	SEAT PAN STAND-OFF,SYNERGY SEAT,B-1360-021	1	N/A	N/A	
A4	SCRSHFH1071	SCREW,SHFH,BLACK ZINC,5/16-18 X 0.875",GR 8,W/PATCH	2	\$1.1	\$2.81	
A5	SCRASBH1101	SCREW,BHSCS,BLACK ZINC,10-32 X 1.75"	1	\$1.1	\$2.81	
A6	NUTNYLK1001	NUT,NYLOCK,BLACK ZINC,10-32	1	\$1.16	\$2.96	

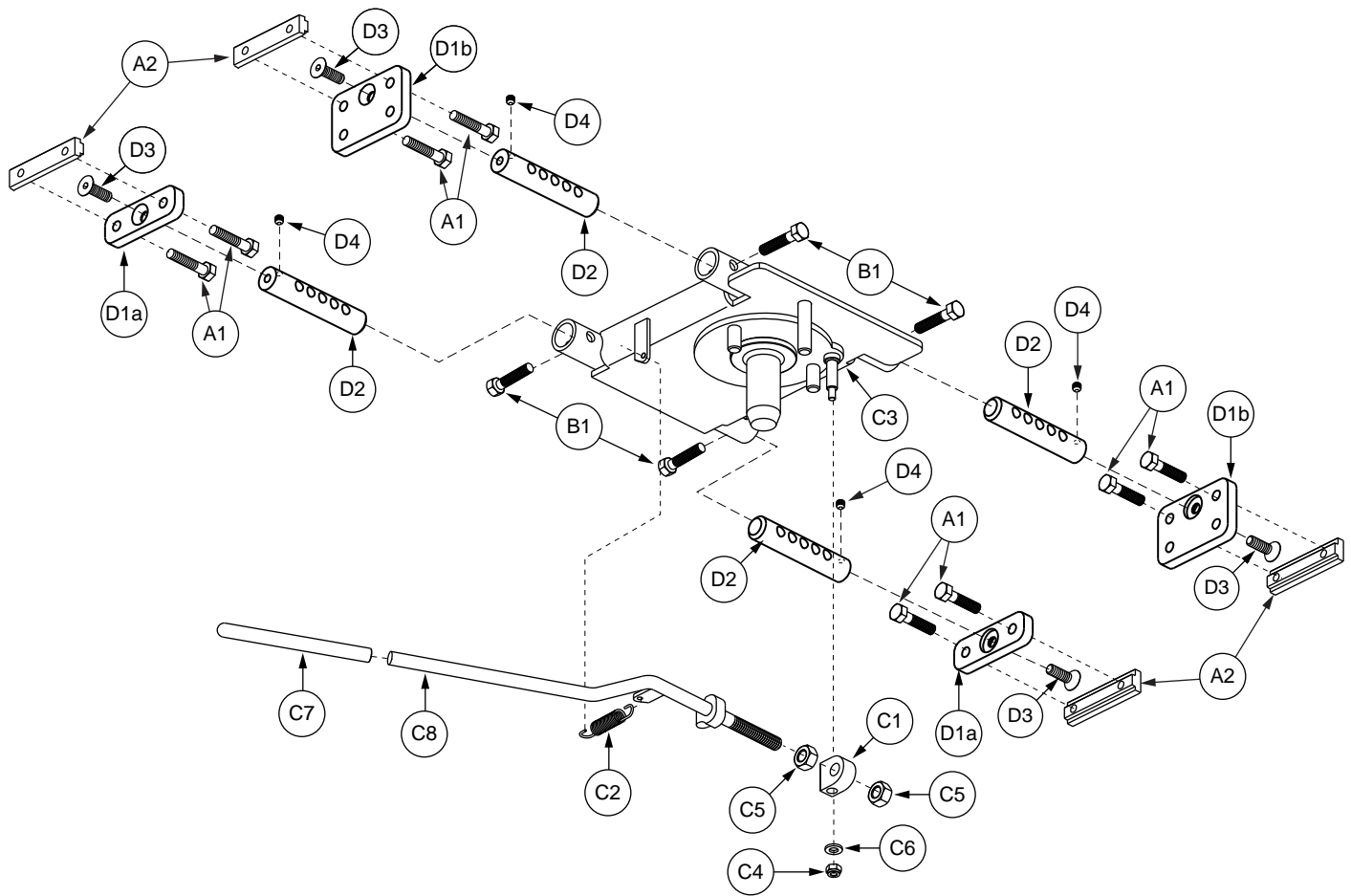


REF #	PART #	DESCRIPTION	QTY	Dealer \$	MSRP	11i
A1a - A6	FRMASMB9681	STEM MOUNT,ASSY,14"W-18"W,12.795" CENTERS,SYNERGY SEAT W/QUICK RELEASE,PAIR	1	\$69.07	\$176.13	
A1b - A6	FRMASMB9682	STEM MOUNT,ASSY,16"W-20"W,12.795" CENTERS,SYNERGY SEAT W/QUICK RELEASE,PAIR	1	\$69.54	\$177.33	
A1a - A6	FRMASMB8401	HORIZONTAL STEM SUPPORT,ASSY,14"W-18"W,12.795" CENTERS,3-HOLE,SYNERGY SEAT,E-1360-186	2	\$34.53	\$88.05	
A1b - A6	FRMASMB8402	HORIZONTAL STEM SUPPORT,ASSY,16"W-20"W,12.795" CENTERS,3-HOLE,SYNERGY SEAT,E-1360-187	2	\$34.77	\$88.66	
A1a	DWR1360D077	HORIZONTAL STEM SUPPORT,14"W-18"W,12.795" CENTERS,SYNERGY SEAT,D-1360-077	1	N/A	N/A	
A1b	DWR1360D078	HORIZONTAL STEM SUPPORT,16"W-20"W,12.795" CENTERS,SYNERGY SEAT,D-1360-078	1	N/A	N/A	
A2	DWR1360B020	VERTICAL STEM SUPPORT,3-HOLE,SYNERGY SEAT,B-1360-020	2	N/A	N/A	
A3	DWR1360B021	SEAT PAN STAND-OFF,SYNERGY SEAT,B-1360-021	1	N/A	N/A	
A4	SCRSHFH1071	SCREW,SHFH,BLACK ZINC,5/16-18 X 0.875",GR 8,W/PATCH	2	\$1.1	\$2.81	
A5	SCRASBH1101	SCREW,BHSCS,BLACK ZINC,10-32 X 1.75"	1	\$1.1	\$2.81	
A6	NUTNYLK1001	NUT,NYLOCK,BLACK ZINC,10-32	1	\$1.16	\$2.96	

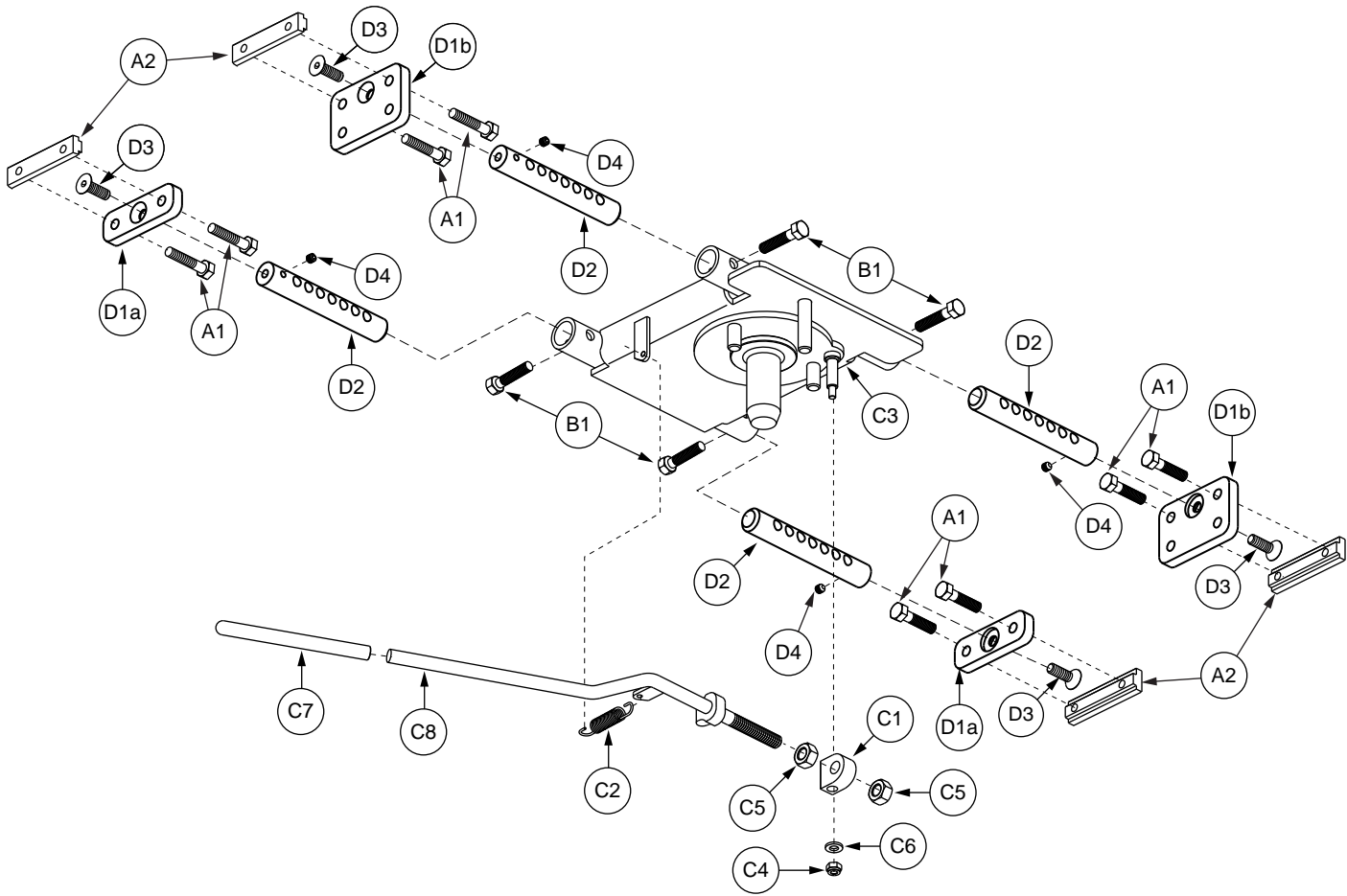


REF #	PART #	DESCRIPTION	QTY	Dealer \$	11i MSRP
A1 - A4	FRMASMB6341	TOWER,ASSY,SEAT MOUNT CONNECTOR,W/SET SCREW	4	\$18.89	\$48.18
A1	DWR1500C036	SEAT MOUNT CONNECTOR,MODIFIED,RQ,C-1500-036	1	N/A	N/A
A2	DWR1000B432	NUT,BLACK,ZINC,M25-1.5,JAM,CUSTOM,B-1000-432	1	\$3.16	\$8.06
A3	DWR1054B026	PIN,SAFETY SNAP,M6 X 35MM,B-1054-026	1	\$5.8	\$14.8
A4	SCRSETS1013	SCREW, SET,1/4-20 X 1/4",G2	1	\$1.16	\$2.95

VI. Clover Leaf Seat Base Assembly — 14"-18" Width



REF #	PART #	DESCRIPTION	QTY	Dealer \$	11i MSRP
A1 - D4	FRMASMB11338	SEAT MOUNT,ASSY,CLOVER LEAF,14"W-18"W,SYNERGY SEAT,W/MOUNTING HARDWARE	1	N/A	N/A
A1	SCRHHCS1240	SCREW,HHCS,BLACK ZINC,5/16-18 X 0.875",GR 8,W/PATCH	8	\$1.32	\$3.37
A2	DWR1360B015	T-NUT,BLACK,5/16-18 X 3", W/2",HOLE SPACING,B-1360-015	4	\$3.45	\$8.79
B1 - D4	FRMASMB11341	SEAT MOUNT,CLOVER LEAF,14"-18"W,SYNERGY/SPECIALTY SEAT	1	\$252.08	\$642.81
B1	SCRHHCS1246	SCREW,HHCS,BLACK ZINC,5/16-18 X 1.25",GR 8,W/PATCH	4	\$1.1	\$2.81
C1 - C8	FRMASMB11286	SEAT MOUNT,ASSY,CLOVER LEAF,SYNERGY SEAT,D-1010-322	1	N/A	N/A
C1	DWR1050B030	PIVOT,SEAT HANDLE,JET	1	\$8.28	\$21.12
C2	SPGRAW1039	SPRING,RAW, SEAT HANDLE,JET1	1	\$1.16	\$2.96
C3	DWR1010E745	SEAT PLATE WELDMENT,CLOVER LEAF,SYNERGY,E-1010-745	1	N/A	N/A
C4	NUTNYLK1019	NUT,NYLOCK,BLACK ZINC,M6-1.0	1	N/A	N/A
C5	NUTSTD1034	NUT,HEX,ZINC,M10 X 1.25	2	\$1.18	\$3.01
C6	WASSTND1075	WASHER,FLAT,6MM ID X 13MM OD X 1MM TH	1	\$1.18	\$3.01
C7	PROHDL1034	HAND GRIP,BLACK,VINYL,.375ID X 3"L	1	\$1.16	\$2.95
C8	DWR1360D113	LEVER,WELDMENT,TAPERED SYNERGY CLOVER LEAF INTERFACE	1	N/A	N/A
D1a - D4	FRMASMB7340	SIDE RAIL MOUNT BRACKET,ASSY,14"W-18"W,SYNERGY	2	N/A	N/A
D1b - D4	FRMASMB7341	SIDE RAIL MOUNT DUMP BRACKET,ASSY,14"W-18"W,SYNERGY	2	N/A	N/A
D1a	DWR1360B065	SIDE RAIL MOUNT BRACKET,FRICTION LOCK,SYNERGY	1	N/A	N/A
D1b	DWR1360B066	SIDE RAIL MOUNT DUMP BRACKET,FRICTION LOCK,SYNERGY	1	N/A	N/A
D2	DWR1360B080	ADJUSTABLE POST,14"W-18"W,5 HOLE,SYNERGY	1	N/A	N/A
D3	SCRSHFH1042	SCREW,SHFH,BLACK ZINC,5/16-18 X 0.75",GRADE 8	1	\$1.1	\$2.81
D4	SCRSETS1080	SCREW,SET,BLACK ZINC,1/4-20 X 0.250",CUP POINT	1	\$1.1	\$2.81



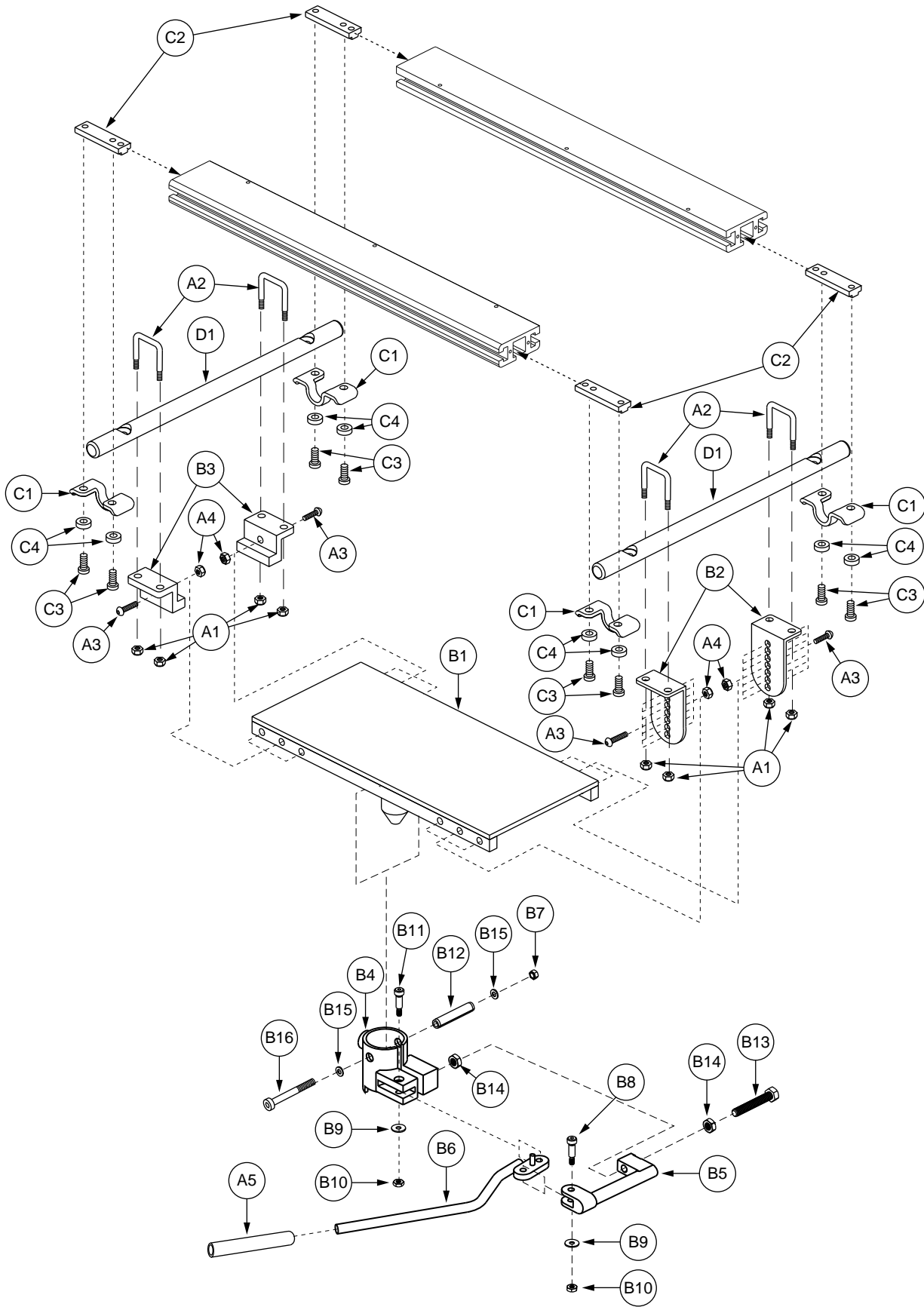
VI. Clover Leaf Seat Base Assembly — 16”-20” Width



REF #	PART #	DESCRIPTION	QTY	Dealer \$	MSRP	11i
A1 - D4	FRMASMB11339	SEAT MOUNT,ASSY,CLOVER LEAF,16"W-20"W,SYNERGY SEAT,W/MOUNTING HARDWARE	1	\$273.65	\$697.81	
A1	SCRHHCS1240	SCREW,HHCS,BLACK ZINC,5/16-18 X 0.875",GR 8,W/PATCH	8	\$1.32	\$3.37	
A2	DWR1360B015	T-NUT,BLACK,5/16-18 X 3", W/2",HOLE SPACING,B-1360-015	4	\$3.45	\$8.79	
B1 - D4	FRMASMB11342	SEAT MOUNT,ASSY,CLOVER LEAF,16"W-20"W,SYNERGY/SPECIALTY SEAT,D-1360-102	1	\$267.41	\$681.89	
B1	SCRHHCS1246	SCREW,HHCS,BLACK ZINC,5/16-18 X 1.25",GR 8,W/PATCH	4	\$1.1	\$2.81	
C1 - C8	FRMASMB11286	SEAT MOUNT,ASSY,CLOVER LEAF,SYNERGY SEAT,D-1010-322	1	N/A	N/A	
C1	DWR1050B030	PIVOT,SEAT HANDLE,JET	1	\$8.28	\$21.12	
C2	SPGRAW1039	SPRING,RAW, SEAT HANDLE,JET1	1	\$1.16	\$2.96	
C3	DWR1010E745	SEAT PLATE WELDMENT,CLOVER LEAF,SYNERGY,E-1010-745	1	N/A	N/A	
C4	NUTNYLK1019	NUT,NYLOCK,BLACK ZINC,M6-1.0	1	\$1.16	\$2.96	
C5	NUTSTD1034	NUT,HEX,ZINC,M10 X 1.25	2	\$1.18	\$3.01	
C6	WASSTND1075	WASHER,FLAT,6MM ID X 13MM OD X 1MM TH	1	\$1.18	\$3.01	
C7	PROHDL1034	HAND GRIP,BLACK,VINYL,,375ID X 3"L	1	\$1.16	\$2.95	
C8	DWR1360D113	LEVER,WELDMENT,TAPERED SYNERGY CLOVER LEAF INTERFACE	1	N/A	N/A	
D1a - D4	FRMASMB11345	SIDE RAIL MOUNT BRACKET,ASSY,16"W-20"W,SYNERGY SEAT	2	\$53.8	\$137.2	
D1b - D4	FRMASMB11344	SIDE RAIL MOUNT DUMP BRACKET,ASSY,16"W-20"W,SYNERGY SEAT	2	\$262.3	\$668.87	
D1a	DWR1360B065	SIDE RAIL MOUNT BRACKET,FRICITION LOCK,SYNERGY SEAT	1	N/A	N/A	
D1b	DWR1360B066	SIDE RAIL MOUNT DUMP BRACKET,FRICITION LOCK,SYNERGY SEAT	1	N/A	N/A	
D2	DWR1360C164	ADJUSTABLE POST,16"W-20"W,SYNERGY SEAT,C-1360-164	1	\$30.43	\$77.59	
D3	SCRSHFH1042	SCREW,SHFH,BLACK ZINC,5/16-18 X 0.75",GRADE 8	1	\$1.1	\$2.81	
D4	SCRSETS1080	SCREW,SET,BLACK ZINC,1/4-20 X 0.250",CUP POINT	1	\$1.1	\$2.81	

Notes :

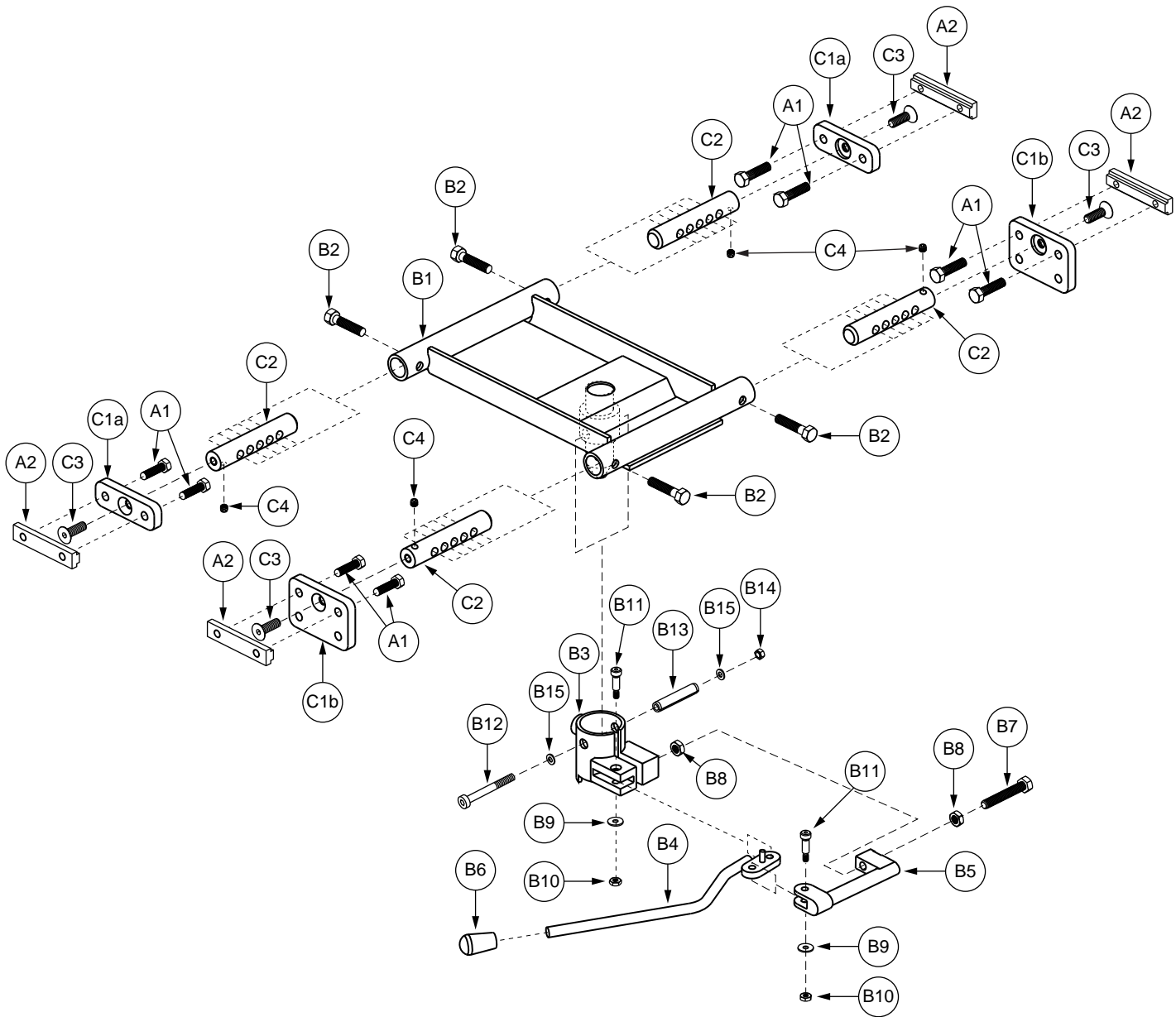
Top-level assemblies will include components designated with corresponding lower-case letters. Parts without lower-case extensions will be included in all top-level assemblies.



VII. Friction Lock Seat Base Assembly — 10”-14” Width



REF #	PART #	DESCRIPTION	QTY	Dealer \$	11i MSRP
A1 - D1	FRMASMB4833	STEM MOUNT,ASSY,10"W-14"W, FRICTION LOCK BASE,SYNERGY	1	\$174.2	\$444.2
A1 - B16	FRMASMB4832	BASE PLATE,ASSY,SYNERGY SEAT,FRICTION LOCK	1	N/A	N/A
A1	NUTNYLK1014	NUT,NYLOCK,BLACK ZINC,1/4-20	8	\$1.16	\$2.96
A2	DWG1600A260	BOLT,U', POWER SEAT,A-1600-026	4	\$1.1	\$2.81
A3	SCRASBH1004	SCREW,BHSCS,1/4-20 X 7/8",G8.8	4	\$1.12	\$2.86
A4	NUTNJAM1014	NUT,NYLOCK JAM,BLACK ZINC,1/4-20	4	\$1.12	\$2.86
A5	PROHDL1034	HAND GRIP,BLACK,VINYL,.375ID X 3"L	1	\$1.16	\$2.95
B1 - B16	FRMASMB2020	BASE PLATE,ASSY,TILT,CLAMP STYLE,VERSA SEAT	1	N/A	N/A
B1	DWR1600C095	BASE PLATE WELDMENT,CLAMP STYLE,POWER SEAT,VERSA SEAT	1	N/A	N/A
B2	IND1624A000	MOUNTING BRACKET,SIDE MOUNT ANGLE	2	N/A	N/A
B3	IND1625A000	BASE SLIDE BRKT	2	\$1.1	\$2.81
B4	DWR1107C048	SEAT COLLAR CASTING,FRICTION LOCK	1	\$32.8	\$83.64
B5	DWR1107B065	TIE CLAMP CASTING,FRICTION LOCK	1	\$32.25	\$82.24
B6	DWR1107C031	LEVER,WELDMENT,C-1107-031	1	N/A	N/A
B7	NUTNYLK1042	NUT, NYLOCK,ZINC,M5 X .8T	1	\$1.16	\$2.96
B8	BLTASHL1022	BOLT,SHOULDER,1/4" X 0.625"	1	\$1.1	\$2.81
B9	WASSAE1005	WASHER,FLAT SAE,ZINC,#10,0.2812" ID X 0.50" OD X 0.0468" TH	2	\$1.12	\$2.86
B10	NUTNYLK1040	NUT,NYLOCK,BLACK ZINC,10-24	2	\$1.12	\$2.86
B11	BLTASHL1062	BOLT,SHOULDER,1/4" X 0.75"	1	\$1.24	\$3.16
B12	PINSPRG1012	SPRING PIN,0.375" DIA X 2.00" L	1	\$1.1	\$2.81
B13	SCRHHCS1033	SCREW,HHCS,ZINC,5/16-18 X 2.00",GRADE 5	1	\$1.18	\$3.01
B14	NUTJAM1002	NUT, JAM,5/16-18	2	\$1.1	\$2.81
B15	WASSTND1039	WASHER, FLAT,ZINC,5MMID X 10MMOD X 1MMT	2	\$1.16	\$2.96
B16	SCRSHCS1100	SCREW,SHCS,BLACK ZINC,M5-.8 X 60MM,GRADE 10.9	1	\$1.1	\$2.81
C1 - C4	FRMASMB4657	STEM MOUNT PLATE,ASSY,SYNERGY SEAT,B-1360-002	4	\$9.49	\$24.19
C1	DWR1360B009	MOUNTING BRACKET,STEM MOUNT PLATE,SYNERGY SEAT	1	N/A	N/A
C2	DWR1005B215	T-NUT,BLACK,5/16-18 X 2.75",W/3 HOLES,0.74" TH,B-1005-215	1	\$2.65	\$6.75
C3	SCRSHCS1246	SCREW, SHCS,BLACK ZINC,0.25-28 X 1.50",W/NYLON PATCH	2	N/A	N/A
C4	DWR1600A052	SPACER,BLACK ZINC,STEEL,0.328"ID X 0.50"OD X 0.20"TH	2	\$1.15	\$2.92
D1	DWR1360D021	HORIZONTAL STEM SUPPORT,10"W-18"W,16.125" CENTERS	2	\$12.13	\$30.93



VII. Friction Lock Seat Base Assembly — 14"-18" Width

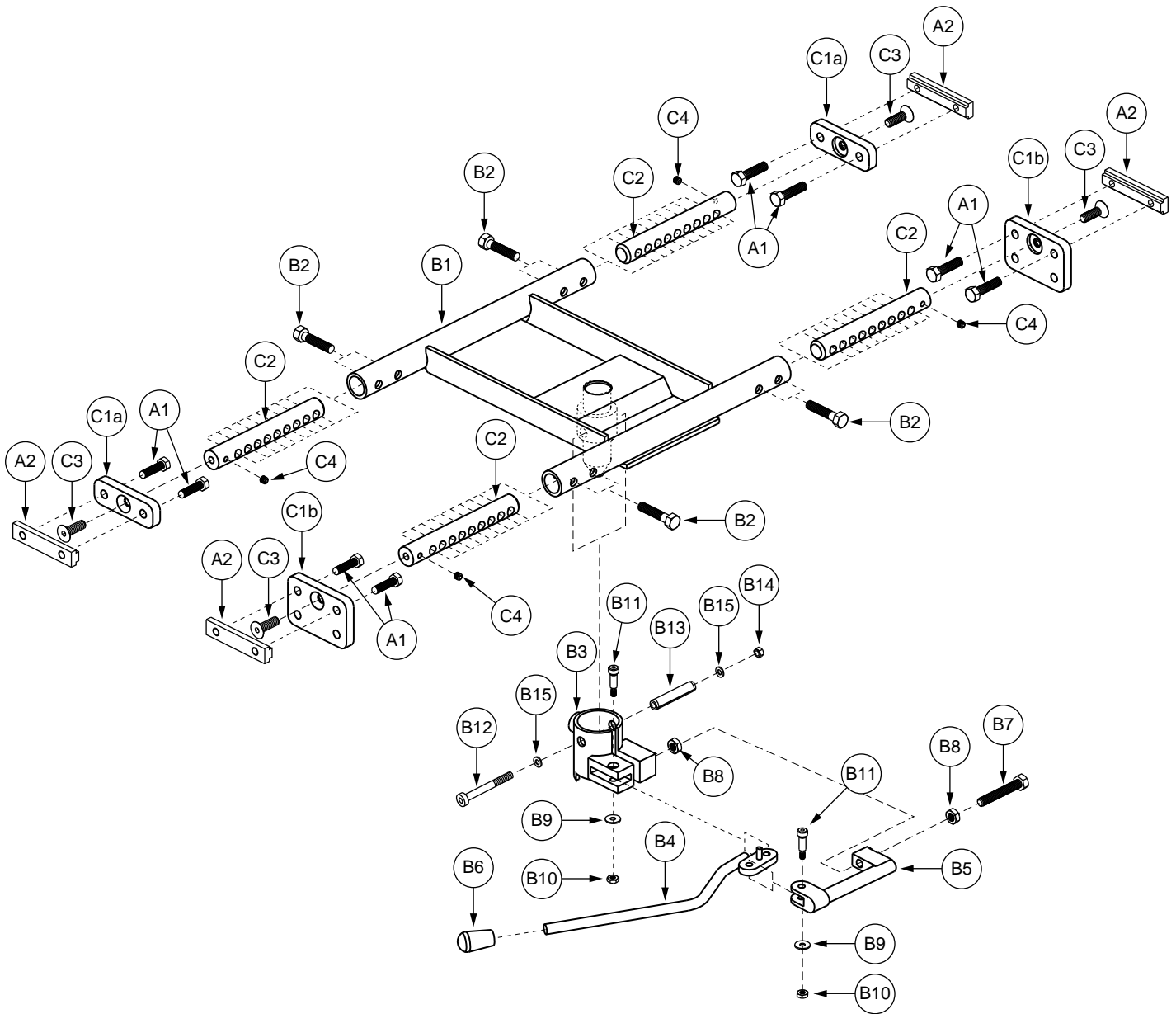


REF #	PART #	DESCRIPTION	QTY	Dealer \$	MSRP	11i
*A1 - C4	FRMASMB6420	SEAT MOUNT,ASSY,FRICTION LOCK,14"W-18"W,SYNERGY SEAT	1	\$194.48	\$495.93	
*A1 - C4	FRMASMB6472	SEAT MOUNT,ASSY,FRICTION LOCK,16"W-18"W,SYNERGY SEAT	1	\$194.48	\$495.93	
A1	SCRHHCS1240	SCREW,HHCS,BLACK ZINC,5/16-18 X 0.875",GR 8,W/PATCH	8	\$1.32	\$3.37	
A2	DWR1360B015	T-NUT,BLACK,5/16-18 X 3", W/2",HOLE SPACING,B-1360-015	4	\$3.45	\$8.79	
B1 - C4	FRMASMB5826	SEAT MOUNTING,ASSY,FRICTION LOCK,14"W-18"W,SYNERGY SEAT	1	\$176.4	\$449.82	
B1	DWR1360E061	SEAT MOUNT WELDMENT,14"W-18"W,FRICTION LOCK,SYNERGY	1	N/A	N/A	
B2	SCRHHCS1246	SCREW,HHCS,BLACK ZINC,5/16-18 X 1.25",GR 8,W/PATCH	4	\$1.1	\$2.81	
B3	DWR1107C048	SEAT COLLAR CASTING,FRICTION LOCK	1	\$32.8	\$83.64	
B4	DWR1107C031	LEVER,WELDMENT,C-1107-031	1	N/A	N/A	
B5	DWR1107B065	TIE CLAMP CASTING,FRICTION LOCK	1	\$32.25	\$82.24	
B6	PROHDL1003	HANDLE,COVER,SEAT LOCK	1	\$1.18	\$3.02	
B7	SCRHHCS1033	SCREW, HHCS,5/16-18 X 2",G5	1	\$1.18	\$3.01	
B8	NUTJAM1010	NUT,JAM,BLACK ZINC,5/16-18	2	\$1.15	\$2.92	
B9	WASSAE1005	WASHER,FLAT,ZINC,#10,0.2812" ID X 0.50" OD X 0.0468" TH,SAE	2	\$1.12	\$2.86	
B10	NUTNYLK1040	NUT, NYLOCK, 10-24, BLACK ZINC	2	\$1.12	\$2.86	
B11	BLTASHL1022	BOLT, SHOULDER,1/4"X 5/8"	2	\$1.1	\$2.81	
B12	SCRSHCS1100	SCREW,SHCS,BLACK ZINC,M5-.8 X 60MM,GRADE 10.9	1	\$1.1	\$2.81	
B13	PINSPRG1012	SPRING PIN,0.375" DIA X 2.00" L	1	\$1.1	\$2.81	
B14	NUTNYLK1042	NUT, NYLOCK,ZINC,M5 X .8T	1	\$1.16	\$2.96	
B15	WASSTND1039	WASHER, FLAT,ZINC,5MMID X 10MMOD X 1MMT	2	\$1.16	\$2.96	
C1a - C4	FRMASMB7340	SIDE RAIL MOUNT BRACKET,ASSY,14"W-18"W,SYNERGY	2	N/A	N/A	
C1b - C4	FRMASMB7341	SIDE RAIL MOUNT DUMP BRACKET,ASSY,14"W-18"W,SYNERGY	2	N/A	N/A	
C1a	DWR1360B065	SIDE RAIL MOUNT BRACKET,FRICTION LOCK,SYNERGY SEAT	1	N/A	N/A	
C1b	DWR1360B066	SIDE RAIL MOUNT DUMP BRACKET,FRICTION LOCK,SYNERGY SEAT	1	N/A	N/A	
C2	DWR1360B080	ADJUSTABLE POST,14"W-18"W,5 HOLE,SYNERGY	1	N/A	N/A	
C3	SCRSHFH1042	SCREW,SHFH,BLACK ZINC,5/16-18 X 0.75",GRADE 8	1	\$1.1	\$2.81	
C4	SCRSETS1080	SCREW, SET,BLACK,ZINC,1/4-20 X 0.250",CUP POINT	1	\$1.1	\$2.81	

Notes :

Top-level assemblies will include components designated with corresponding lower-case letters. Parts without lower-case extensions will be included in all top-level assemblies.

***A1 - C4** Both assemblies use identical parts. The two different FRMASMB numbers are for installation purposes.



VII. Friction Lock Seat Base Assembly — 18”-24” Width

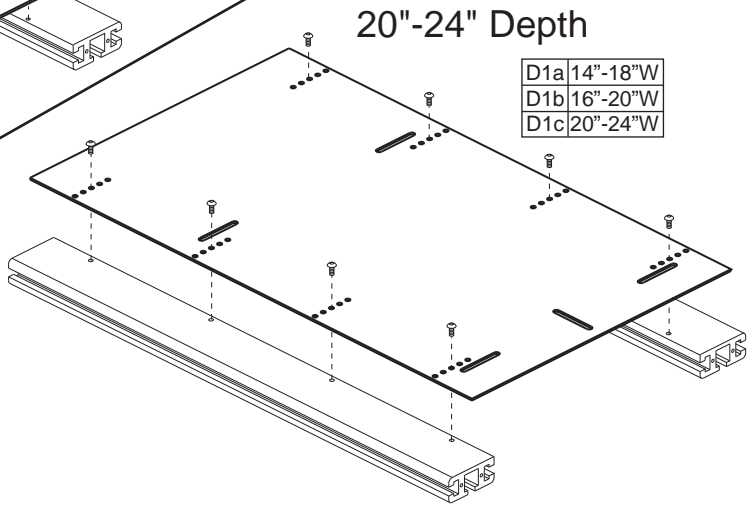
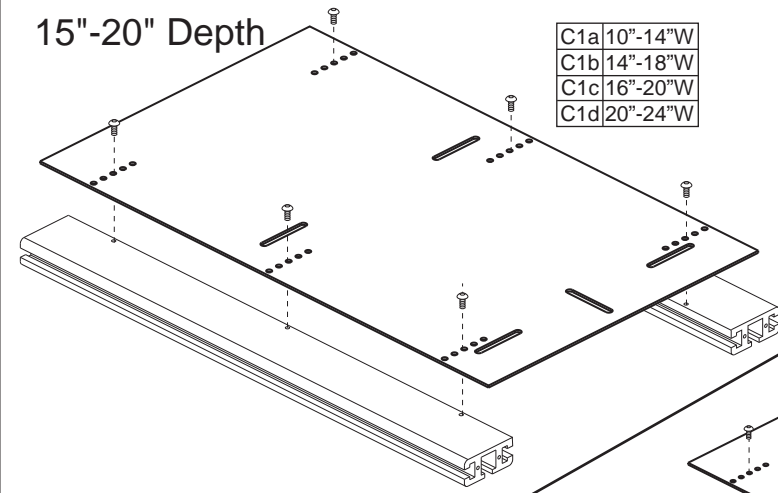
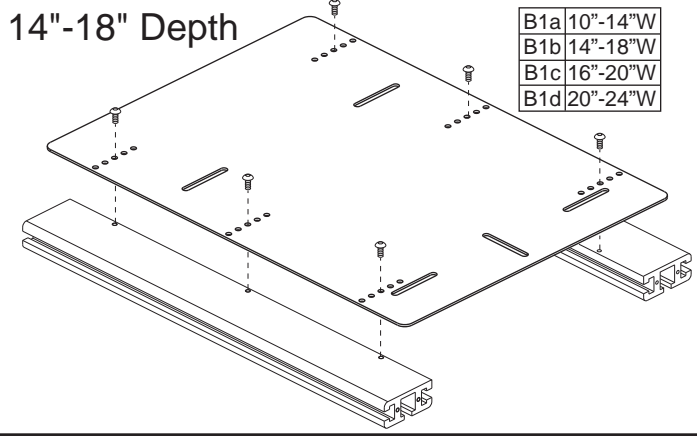
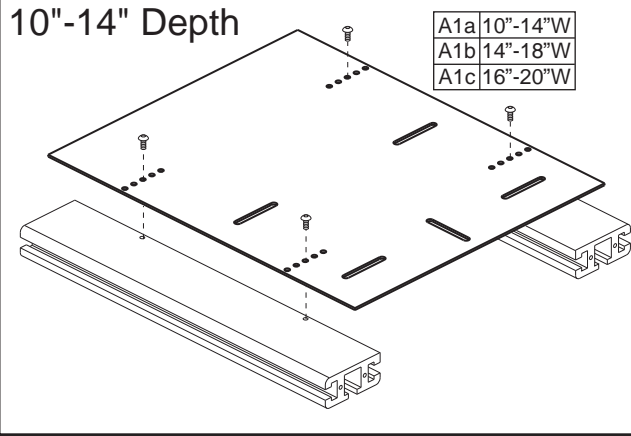


REF #	PART #	DESCRIPTION	QTY	Dealer \$	MSRP	11i
*A1 - C4	FRMASMB6473	SEAT MOUNT,ASSY,FRICTION LOCK,18"W-20"W,SYNERGY	1	\$228.18	\$581.86	
*A1 - C4	FRMASMB6421	SEAT MOUNT,ASSY,FRICTION LOCK,18"W-24"W,SYNERGY	1	\$190.73	\$486.37	
A1	SCRHHCS1240	SCREW,HHCS,BLACK ZINC,5/16-18 X 0.875",GR 8,W/PATCH	8	\$1.32	\$3.37	
A2	DWR1360B015	T-NUT,BLACK,5/16-18 X 3", W/2",HOLE SPACING,B-1360-015	4	\$3.45	\$8.79	
B1 - C4	FRMASMB5827	SEAT MOUNTING,ASSY,FRICTION LOCK,18"W-24"W,SYNERGY	1	\$179.71	\$458.25	
B1	DWR1360E063	SEAT MOUNT WELDMENT,18"W-24"W,FRICTION LOCK,SYNERGY	1	N/A	N/A	
B2	SCRHHCS1246	SCREW,HHCS,BLACK ZINC,5/16-18 X 1.25",GR 8,W/PATCH	4	\$1.1	\$2.81	
B3	DWR1107C048	SEAT COLLAR CASTING,FRICTION LOCK	1	\$32.8	\$83.64	
B4	DWR1107C031	LEVER,WELDMENT,C-1107-031	1	N/A	N/A	
B5	DWR1107B065	TIE CLAMP CASTING,FRICTION LOCK	1	\$32.25	\$82.24	
B6	PROHDL1003	HANDLE,COVER,SEAT LOCK	1	\$1.18	\$3.02	
B7	SCRHHCS1033	SCREW, HHCS,5/16-18 X 2",G5	1	\$1.18	\$3.01	
B8	NUTJAM1010	NUT,JAM,BLACK ZINC,5/16-18	2	\$1.15	\$2.92	
B9	WASSAE1005	WASHER,FLAT,ZINC,#10,0.2812" ID X 0.50" OD X 0.0468" TH,SAE	2	\$1.12	\$2.86	
B10	NUTNYLK1040	NUT, NYLOCK, 10-24, BLACK ZINC	2	\$1.12	\$2.86	
B11	BLTASHL1022	BOLT, SHOULDER,1/4"X 5/8"	2	\$1.1	\$2.81	
B12	SCRSHCS1100	SCREW,SHCS,BLACK ZINC,M5-.8 X 60MM,GRADE 10.9	1	\$1.1	\$2.81	
B13	PINSPRG1012	SPRING PIN,0.375" DIA X 2.00" L	1	\$1.1	\$2.81	
B14	NUTNYLK1042	NUT, NYLOCK,ZINC,M5 X .8T	1	\$1.16	\$2.96	
B15	WASSTND1039	WASHER, FLAT,ZINC,5MMID X 10MMOD X 1MMT	2	\$1.16	\$2.96	
C1a - C4	FRMASMB7343	SIDE RAIL MOUNT BRACKET,ASSY,18"W-24"W,SYNERGY	2	N/A	N/A	
C1b - C4	FRMASMB7342	SIDE RAIL MOUNT DUMP BRACKET,ASSY,18"W-24"W,SYNERGY	2	N/A	N/A	
C1a	DWR1360B065	SIDE RAIL MOUNT BRACKET,FRICTION LOCK,SYNERGY SEAT	1	N/A	N/A	
C1b	DWR1360B066	SIDE RAIL MOUNT DUMP BRACKET,FRICTION LOCK,SYNERGY	1	N/A	N/A	
C2	DWR1360B081	ADJUSTABLE POST,18"W-24"W,9 HOLE,SYNERGY	1	N/A	N/A	
C3	SCRSHFH1042	SCREW,SHFH,BLACK ZINC,5/16-18 X 0.75",GRADE 8	1	\$1.1	\$2.81	
C4	SCRSETS1080	SCREW, SET,BLACK,ZINC,1/4-20 X 0.250",CUP POINT	1	\$1.1	\$2.81	

Notes :

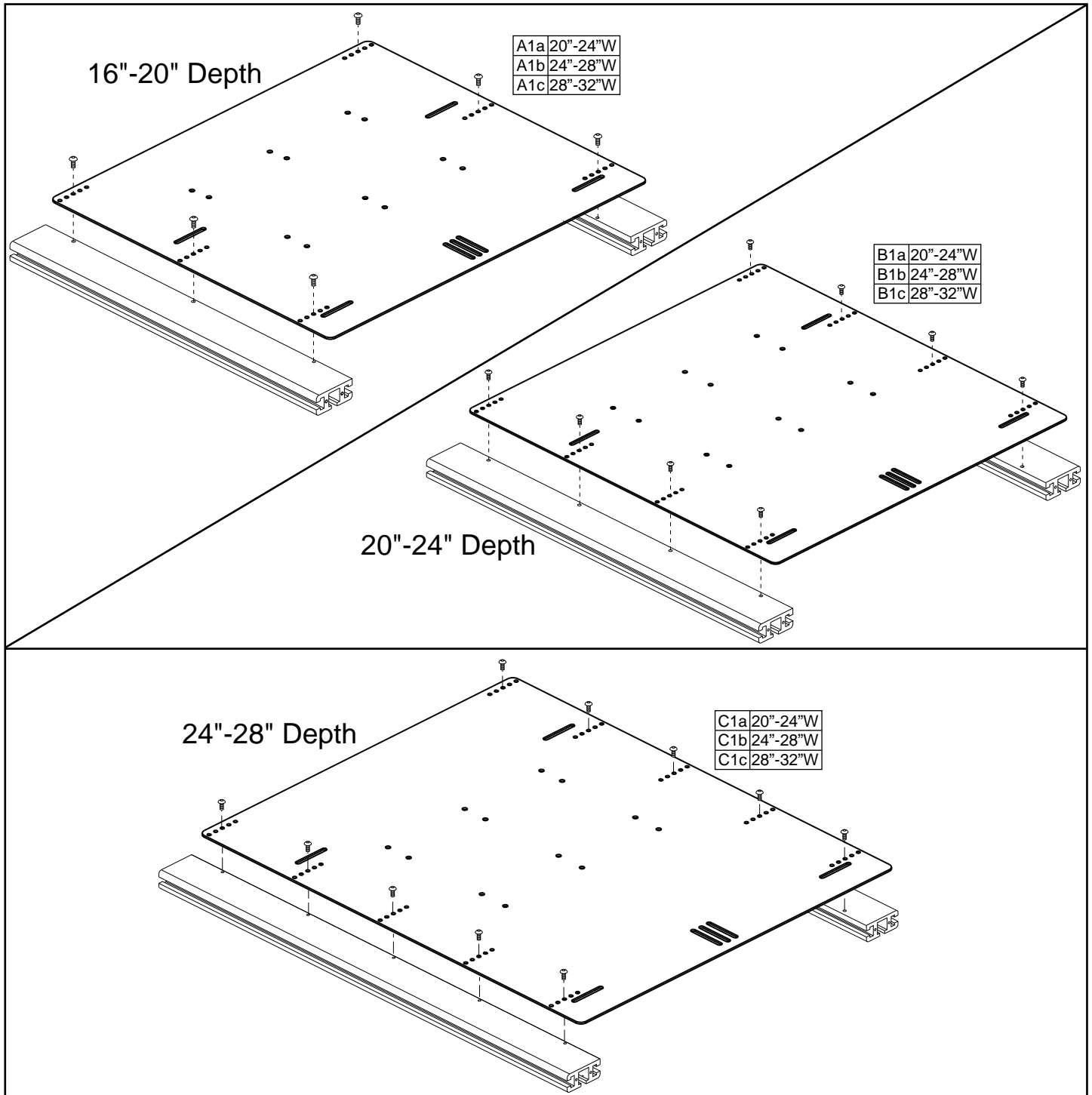
***A1 - C4** Both assemblies use identical parts. The two different FRMASMB numbers are for installation purposes.

VIII. Seat Pan Assembly — Standard

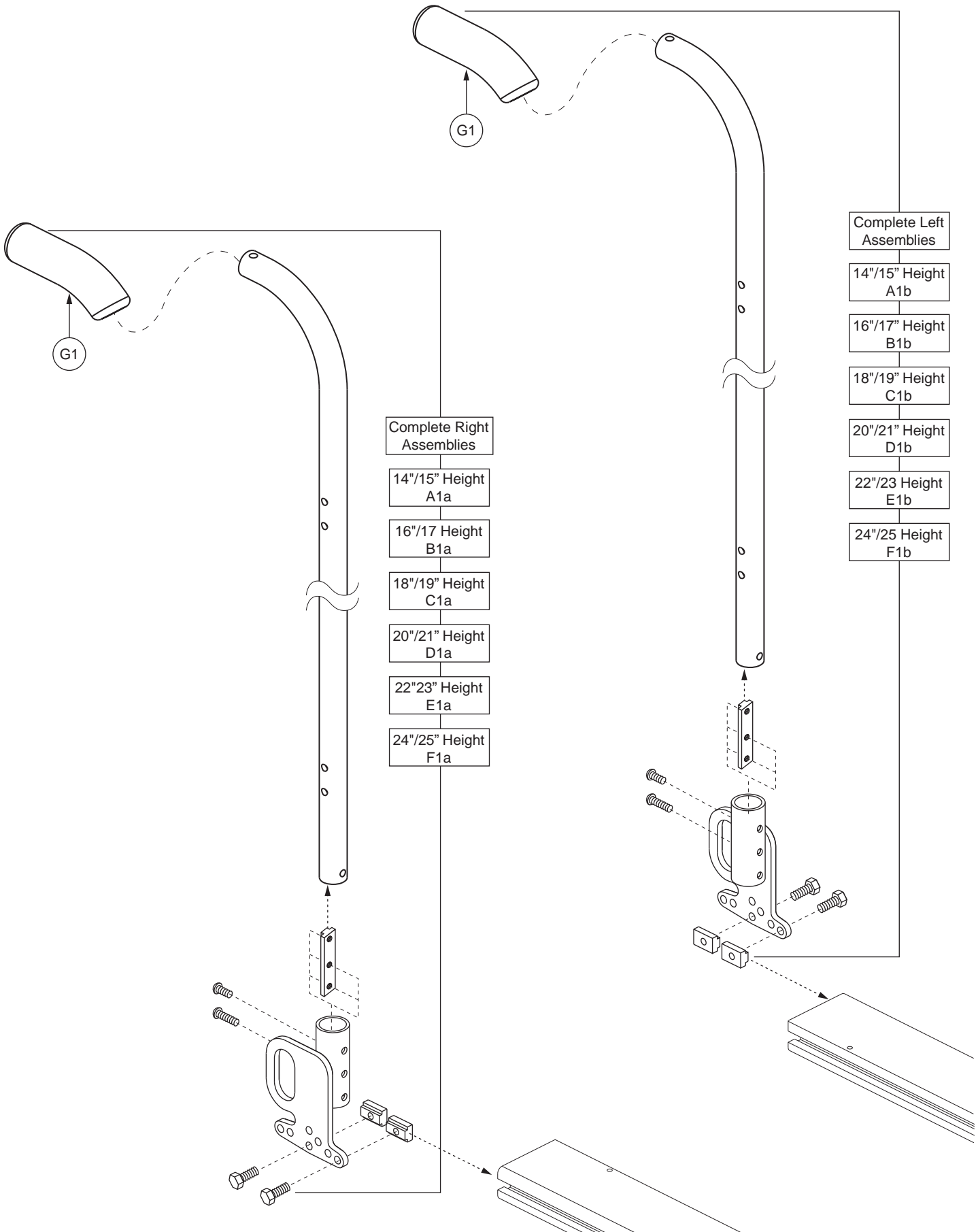


REF #	PART #	DESCRIPTION	QTY	Dealer \$	11i MSRP
A1a	DWR1360E011B	SEAT PAN, 10"W-14"W, 10"D-14"D, SYNERGY SEAT, TEXTURED	1	\$23.15	\$59.04
A1b	DWR1360E014B	SEAT PAN, 14"W-18"W, 10"D-14"D, SYNERGY SEAT, TEXTURED	1	\$22.05	\$56.23
A1c	DWR1360E017B	SEAT PAN, 16"W-20"W, 10"D-14"D, SYNERGY SEAT, TEXTURED	1	\$26.46	\$67.47
B1a	DWR1360E043B	SEAT PAN, 10"W-14"W, 14"D-18"D, SYNERGY SEAT, TEXTURED	1	\$31.97	\$81.53
B1b	DWR1360E044B	SEAT PAN, 14"W-18"W, 14"D-18"D, SYNERGY SEAT, TEXTURED	1	N/A	N/A
B1c	DWR1360E045B	SEAT PAN, 16"W-20"W, 14"D-18"D, SYNERGY SEAT, TEXTURED	1	N/A	N/A
B1d	DWR1360E046B	SEAT PAN, 20"W-24"W, 14"D-18"D, SYNERGY SEAT, TEXTURED	1	N/A	N/A
C1a	DWR1360E012B	SEAT PAN, 10"W-14"W, 15"D-20"D, SYNERGY SEAT, TEXTURED	1	\$24.26	\$61.85
C1b	DWR1360E015B	SEAT PAN, 14"W-18"W, 15"D-20"D, SYNERGY SEAT, TEXTURED	1	N/A	N/A
C1c	DWR1360E004B	SEAT PAN, 16"W-20"W, 15"D-20"D, SYNERGY SEAT, TEXTURED	1	N/A	N/A
C1d	DWR1360E020B	SEAT PAN, 20"W-24"W, 15"D-20"D, SYNERGY SEAT, TEXTURED	1	N/A	N/A
D1a	DWR1360E016B	SEAT PAN, 14"W-18"W, 20"D-24"D, SYNERGY SEAT, TEXTURED	1	N/A	N/A
D1b	DWR1360E018B	SEAT PAN, 16"W-20"W, 20"D-24"D, SYNERGY SEAT, TEXTURED	1	\$36.61	\$93.36
D1c	DWR1360E021B	SEAT PAN, 20"W-24"W, 20"D-24"D, SYNERGY SEAT, TEXTURED	1	N/A	N/A

VIII. Seat Pan Assembly — HD Synergy Seat

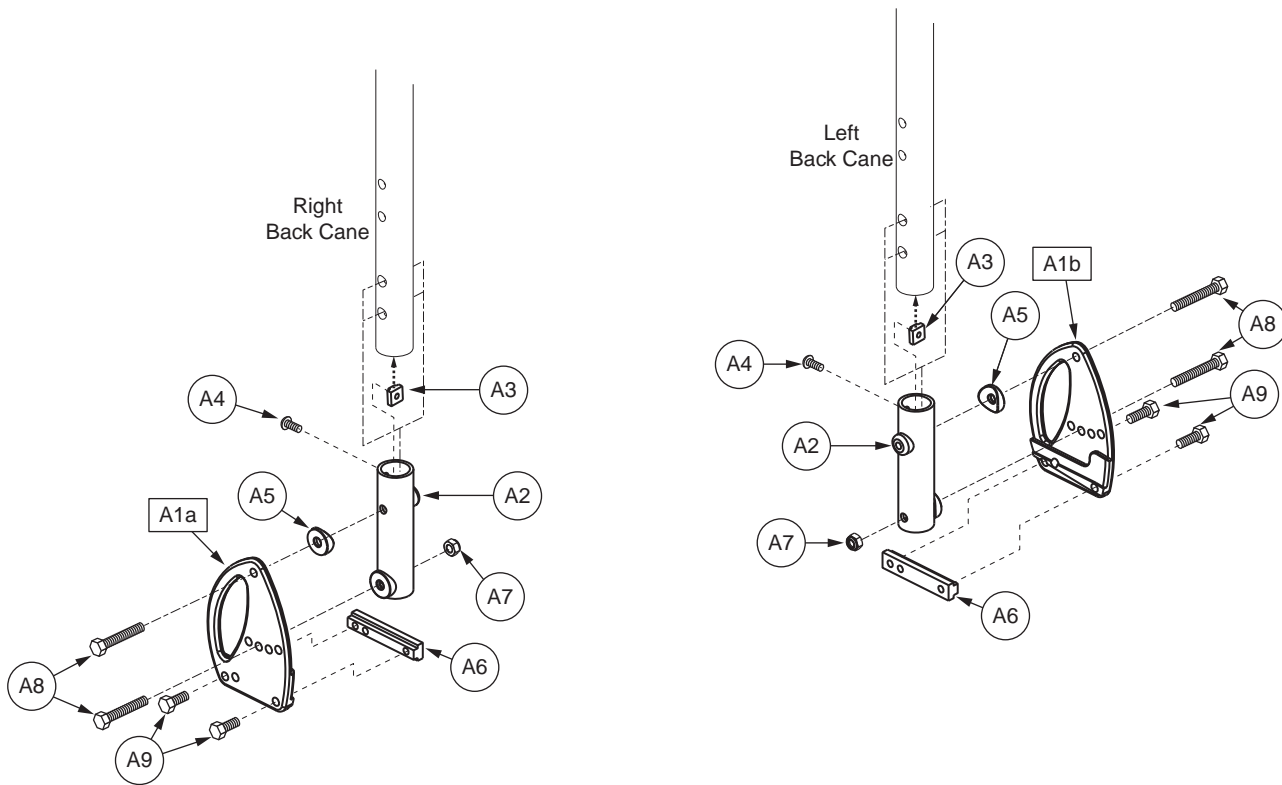


REF #	PART #	DESCRIPTION	QTY	Dealer \$	11i MSRP
A1a	DWR1360E120	SEAT PAN,20"W-24"W,16"D-20"D,SYNERGY SEAT HD,E-1360-120	1	\$38.59	\$98.4
A1b	DWR1360E123	SEAT PAN,24"W-28"W,16"D-20"D,SYNERGY SEAT HD,E-1360-123	1	\$44.87	\$114.42
A1c	DWR1360E110	SEAT PAN,28"W-32"W,16"D-20"D,SYNERGY SEAT HD,E-1360-110	1	\$41.9	\$106.83
B1a	DWR1360E121	SEAT PAN,20"W-24"W,20"D-24"D,SYNERGY SEAT HD,E-1360-121	1	\$48.41	\$123.45
B1b	DWR1360E124	SEAT PAN,24"W-28"W,20"D-24"D,SYNERGY SEAT HD,E-1360-124	1	\$52.02	\$132.65
B1c	DWR1360E111	SEAT PAN,28"W-32"W,20"D-24"D,SYNERGY SEAT HD,E-1360-111	1	\$50.78	\$129.49
C1a	DWR1360E122	SEAT PAN,20"W-24"W,24"D-28"D,SYNERGY SEAT HD,E-1360-122	1	\$52.92	\$134.95
C1b	DWR1360E125	SEAT PAN,24"W-28"W,24"D-28"D,SYNERGY SEAT HD,E-1360-125	1	\$56.68	\$144.53
C1c	DWR1360E126	SEAT PAN,28"W-32"W,24"D-28"D,SYNERGY SEAT HD,E-1360-126	1	\$72.93	\$185.97

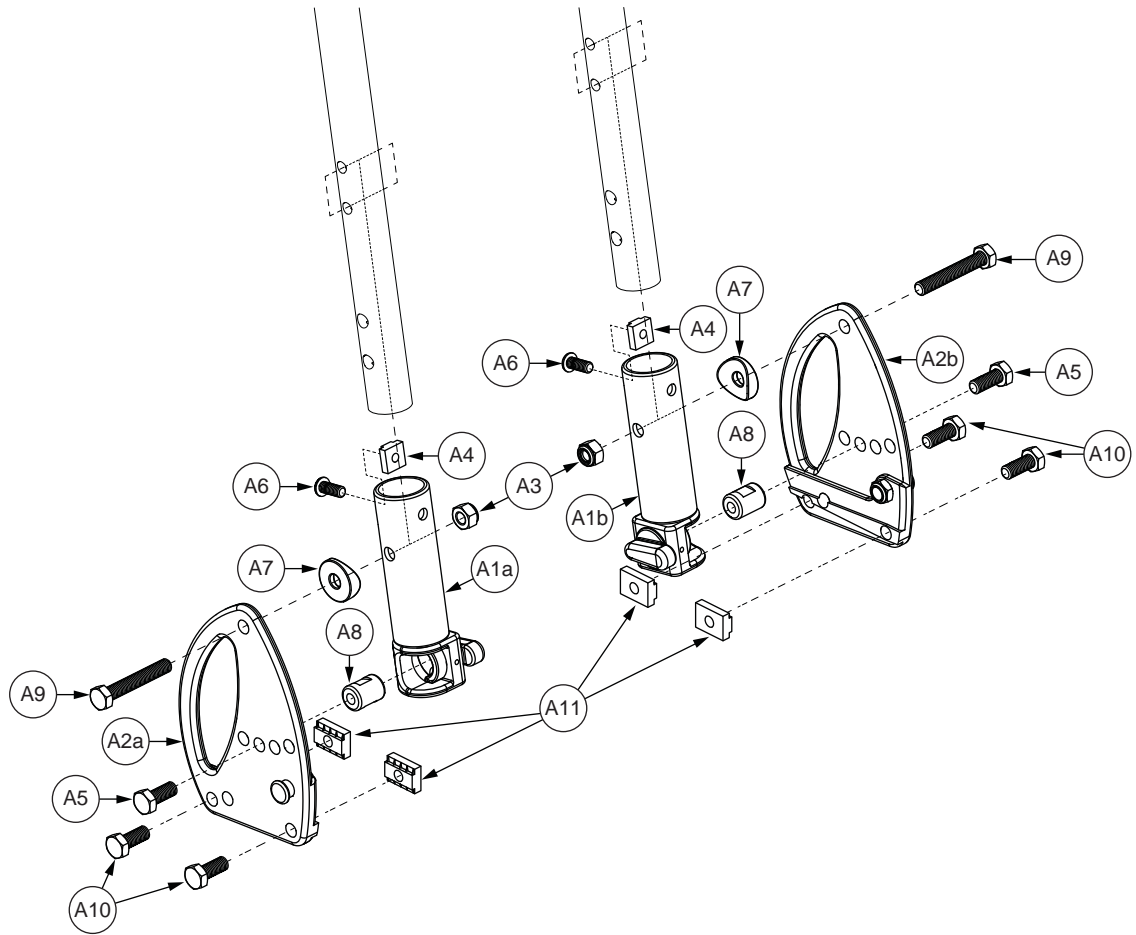




REF #	PART #	DESCRIPTION	QTY	Dealer \$	MSRP	11i
A1a	FRMASMB7910	RIGHT BACK CANE,W/SHORT PUSH HANDLE,14"H-15"H,SYNERGY	1	\$40.79	\$104.02	
A1b	FRMASMB7909	LEFT BACK CANE,W/SHORT PUSH HANDLE,14"H-15"H,SYNERGY	1	\$40.79	\$104.02	
B1a	FRMASMB7912	RIGHT BACK CANE,W/SHORT PUSH HANDLE,16"H-17"H,SYNERGY	1	\$40.79	\$104.02	
B1b	FRMASMB7911	LEFT BACK CANE,W/SHORT PUSH HANDLE,16"H-17"H,SYNERGY	1	\$40.79	\$104.02	
C1a	FRMASMB7914	RIGHT BACK CANE,W/SHORT PUSH HANDLE,18"H-19"H,SYNERGY	1	\$40.79	\$104.02	
C1b	FRMASMB7913	LEFT BACK CANE,W/SHORT PUSH HANDLE,18"H-19"H,SYNERGY	1	\$40.79	\$104.02	
D1a	FRMASMB7916	RIGHT BACK CANE,W/SHORT PUSH HANDLE,20"H-21"H,SYNERGY	1	\$40.79	\$104.02	
D1b	FRMASMB7915	LEFT BACK CANE,W/SHORT PUSH HANDLE,20"H-21"H,SYNERGY	1	\$40.79	\$104.02	
E1a	FRMASMB7918	RIGHT BACK CANE,W/SHORT PUSH HANDLE,22"H-23"H,SYNERGY	1	\$40.79	\$104.02	
E1b	FRMASMB7917	LEFT BACK CANE,W/SHORT PUSH HANDLE,22"H-23"H,SYNERGY	1	\$40.79	\$104.02	
F1a	FRMASMB7920	RIGHT BACK CANE,W/SHORT PUSH HANDLE,24"H-25"H,SYNERGY	1	\$40.79	\$104.02	
F1b	FRMASMB7919	LRFT BACK CANE,W/SHORT PUSH HANDLE,24"H-25"H,SYNERGY	1	\$40.79	\$104.02	
G1	PROHDL1052	HAND GRIP,BLACK,FOAM,.940"ID X 5.00"L X .0125" WALL TH	1	\$2.71	\$6.92	



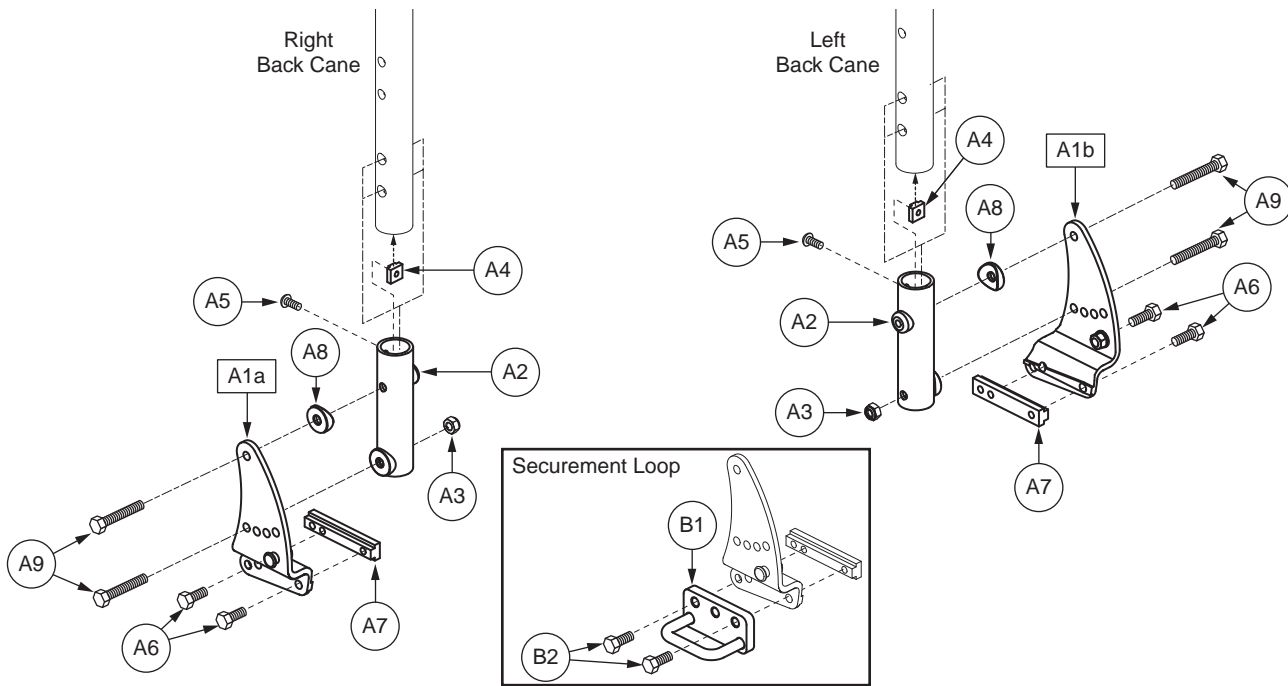
REF #	PART #	DESCRIPTION	QTY	Dealer \$	MSRP	11i
A1a	FRMASMB17629	BACK CANE BRACKET,ASSY,ANGLE ADJUSTABLE,TRU-COMFORT,RIGHT,C-1306-047	1	N/A	N/A	
A1b	FRMASMB17628	BACK CANE BRACKET,ASSY,ANGLE ADJUSTABLE,TRU-COMFORT,LEFT,C-1306-046	1	N/A	N/A	
A2	DWR1360C154	BACK CANE SUPPORT TUBE WELDMENT,RIGHT,C-1360-154	1	N/A	N/A	
A3	DWR1360A002	T-NUT,1/4-20 X 0.5625",A-1360-002	1	\$1.38	\$3.51	
A4	SCRASBH1096	SCREW,BHSCS,BLACK ZINC,1/4-20 X 0.625",GR 8,W/PATCH	1	\$1.29	\$3.28	
A5	DWR1005B112	WASHER,COPED,BLACK,NYLON,0.333" ID X 1.00" OD,B-1005-112	1	\$1.29	\$3.28	
A6	DWR1005C029	T-NUT,BLACK,5/16-18 X 3.25",3 HOLE,C-1005-029	1	\$2.76	\$7.04	
A7	NUTNYLK1026	NUT,NYLOCK,BLACK ZINC,5/16-18	1	\$1.29	\$3.28	
A8	SCRHHCS1585	SCREW,HHCS,BLACK ZINC,5/16-18 X 2.00",GR 8,W/PATCH	2	\$1.1	\$2.81	
A9	SCRHHCS1240	SCREW,HHCS,BLACK ZINC,5/16-18 X 0.875",GR 8,W/PATCH	2	\$1.32	\$3.37	



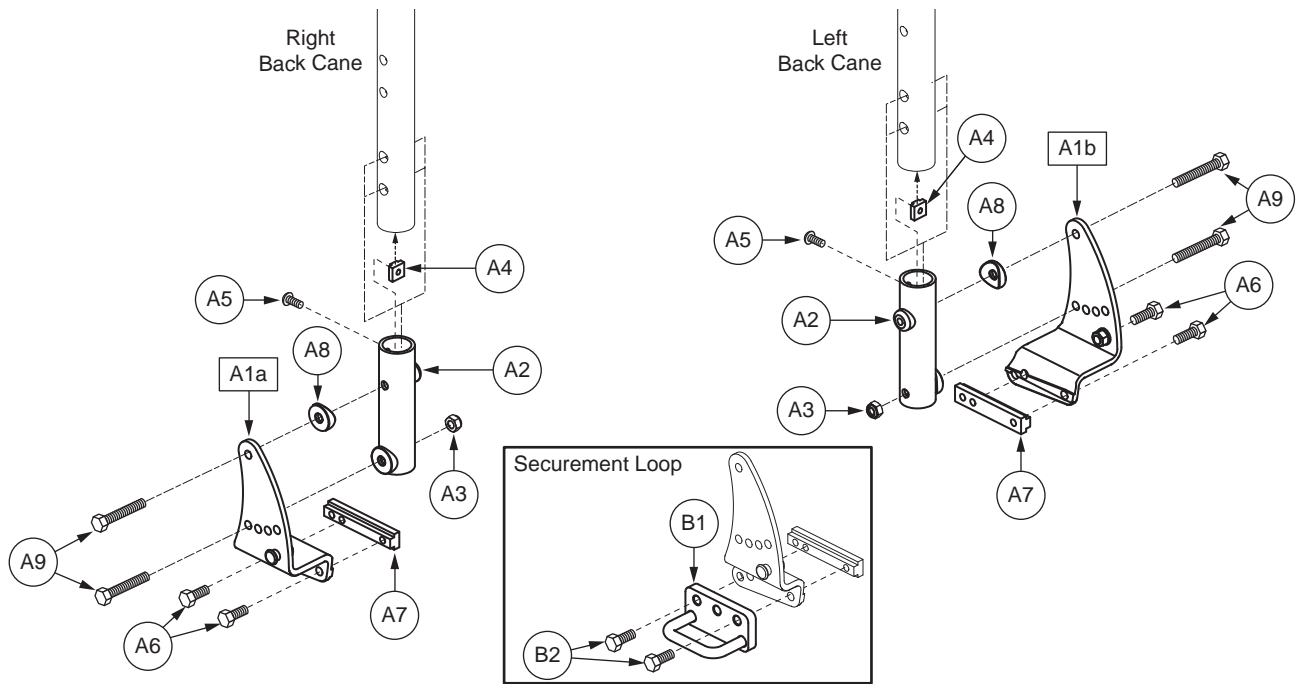
REF #	PART #	DESCRIPTION	QTY	Dealer \$	11i MSRP
A1a - A11	FRMASMB15851	BACK CANE BRACKET,ASSY,FLIP FORWARD,W/LOOP HATCHET,SYNERGY,RIGHT,TEXTURED,E-1360-250	1	\$113.33	\$288.98
A1a	FRMASMB12386	BACK CANE,ASSY,FLIP FORWARD,SYNERGY SEAT/TILT,RIGHT,TEXTURED,D-1360-106	1	N/A	N/A
A2a	FRMASMB17629	BACK CANE BRACKET,ASSY,ANGLE ADJUSTABLE,TRU-COMFORT,RIGHT,C-1306-047	1	N/A	N/A
A1b - A11	FRMASMB15852	BACK CANE BRACKET,ASSY,FLIP FORWARD,W/LOOP HATCHET,SYNERGY,LEFT,TEXTURED,E-1360-249	1	\$113.33	\$288.98
A1b	FRMASMB12385	BACK CANE,ASSY,FLIP FORWARD,SYNERGY SEAT/TILT,LEFT,TEXTURED,D-1360-104	1	N/A	N/A
A2b	FRMASMB17628	BACK CANE BRACKET,ASSY,ANGLE ADJUSTABLE,TRU-COMFORT,LEFT,C-1306-046	1	N/A	N/A
A3	NUTNYLK1026	NUT,NYLOCK,BLACK ZINC,5/16-18	1	\$1.29	\$3.28
A4	DWR1360A002	T-NUT,1/4-20 X 0.5625",A-1360-002	1	\$1.38	\$3.51
A5	SCRHHCS1241	SCREW,HHCS,BLACK ZINC,5/16-18 X 0.75",GR 8,W/PATCH	1	\$1.12	\$2.86
A6	SCRASBH1096	SCREW,BHSCS,BLACK ZINC,1/4-20 X 0.625",GR 8,W/PATCH	1	\$1.29	\$3.28
A7	DWR1005B112	WASHER,COPED,BLACK,NYLON,0.333" ID X 1.00" OD,B-1005-112	1	\$1.29	\$3.28
A8	DWR1360B094	LOCKING BARREL,BLACK,STEEL,.625"OD X .90"L,5/16-18	1	N/A	N/A
A9	SCRHHCS1585	SCREW,HHCS,BLACK ZINC,5/16-18 X 2.00",GR 8,W/PATCH	1	\$1.1	\$2.81
A10	SCRHHCS1727	SCREW,HHCS,BLACK ZINC,M8-1.25 X 20MM,GR 10.9,W/PATCH	2	\$1.12	\$2.86
A11	NUT8120005	NUT,T-SLOT,BLACK,M8-1.25	2	\$2.13	\$5.44

Notes :

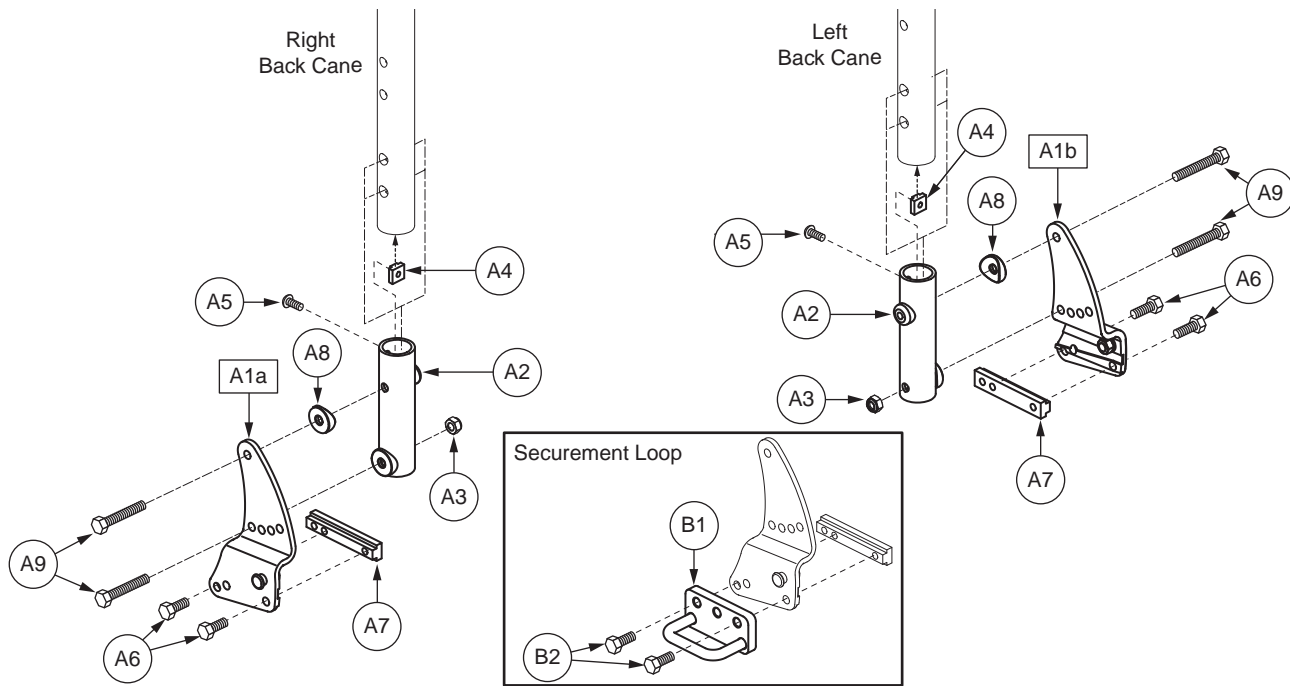
Top-level assemblies will include components designated with corresponding lower-case letters. Parts without lower-case extensions will be included in all top-level assemblies.



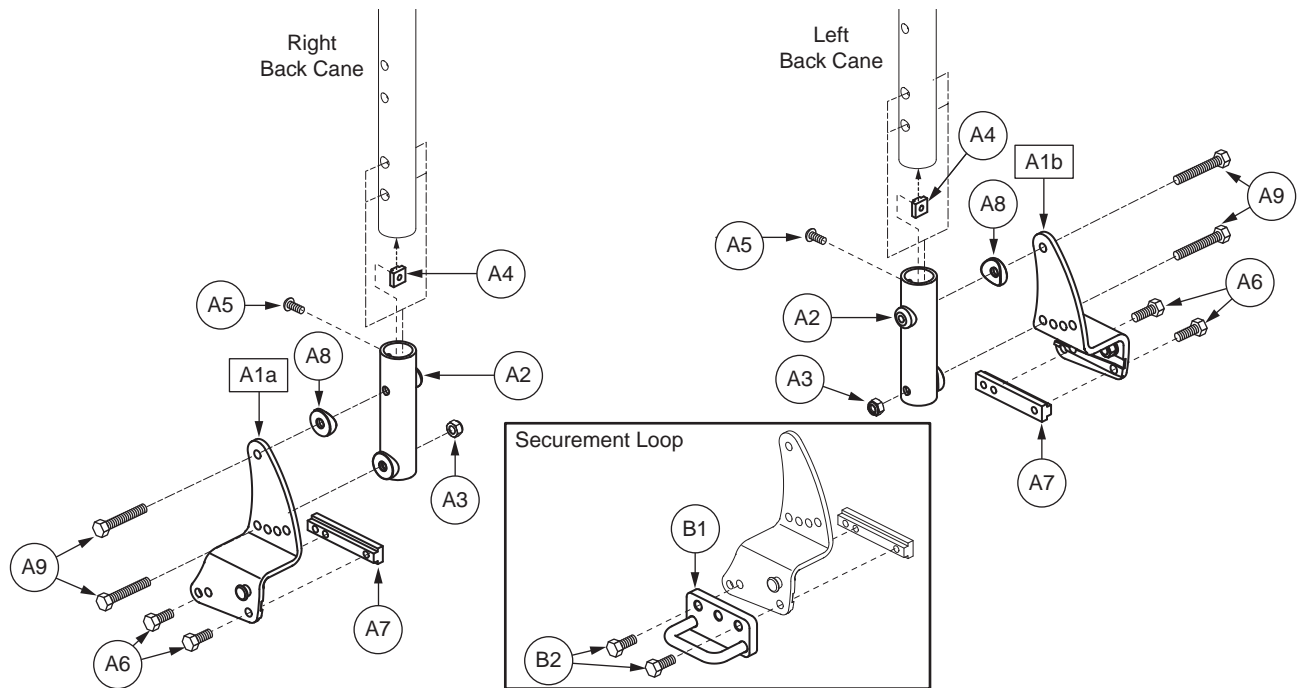
REF #	PART #	DESCRIPTION	QTY	Dealer \$	11i MSRP
A1a - A9	FRMASMB16389	BACK CANE BRACKET,ASSY,MESOMORPH,1" OUT,RIGHT	1	\$99.58	\$253.93
A1b - A9	FRMASMB16388	BACK CANE BRACKET,ASSY,MESOMORPH,1" OUT,LEFT	1	\$99.58	\$253.93
A1a	FRMASMB11104	SIDE RAIL MOUNT BRACKET,ASSY,ANGLE ADJUSTMENT,1" OUT,RIGHT	1	\$58.5	\$97.5
A1b	FRMASMB11103	SIDE RAIL MOUNT BRACKET,ASSY,ANGLE ADJUSTMENT,1" OUT,LEFT	1	\$58.5	\$97.5
A2	DWR1360C154	BACK CANE SUPPORT TUBE WELDMENT,RIGHT,C-1360-154	1	N/A	N/A
A3	NUTNYLK1026	NUT,NYLOCK,BLACK ZINC,5/16-18	1	\$1.29	\$3.28
A4	DWR1360A002	T-NUT,1/4-20 X 0.5625",A-1360-002	1	\$1.38	\$3.51
A5	SCRASBH1096	SCREW,BHSCS,BLACK ZINC,1/4-20 X 0.625",GR 8,W/PATCH	1	\$1.29	\$3.28
A6	SCRHHCS1241	SCREW,HHCS,BLACK ZINC,5/16-18 X 0.75",GR 8,W/PATCH	2	\$1.12	\$2.86
A7	DWR1005C029	T-NUT,BLACK,5/16-18 X 3.25",3 HOLE,C-1005-029	1	\$2.76	\$7.04
A8	DWR1005B112	WASHER,COPEL,BLACK,NYLON,0.333" ID X 1.00" OD	1	\$1.29	\$3.28
A9	SCRHHCS1585	SCREW,HHCS,BLACK ZINC,5/16-18 X 2.00",GR 8,W/PATCH	2	\$1.1	\$2.81
B1	DWR1600B122B	SEAT FRAME,SECUREMENT BRACKET WELDMENT,TEXTURED	2	\$17.89	\$45.62
B2	SCRHHCS1300	SCREW,HHCS,BLACK ZINC,5/16-18 X 1.00",GR 8,W/PATCH	4	\$1.16	\$2.95



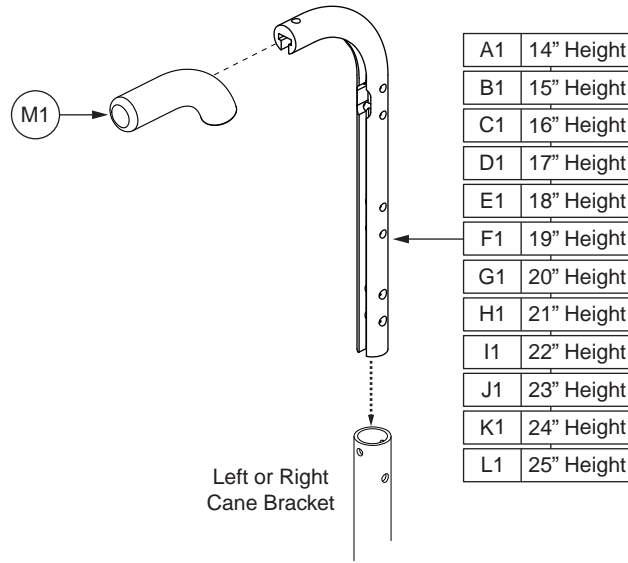
REF #	PART #	DESCRIPTION	QTY	Dealer \$	MSRP	11i
A1a - A9	FRMASMB16392	BACK CANE BRACKET,ASSY,MESOMORPH,2" OUT,RIGHT	1	\$99.58	\$253.93	
A1b - A9	FRMASMB16391	BACK CANE BRACKET,ASSY,MESOMORPH,2" OUT,LEFT	1	\$99.58	\$253.93	
A1a	FRMASMB11100	SIDE RAIL MOUNT BRACKET,ASSY,ANGLE ADJUSTMENT,2" OUT,RIGHT	1	\$58.5	\$97.5	
A1b	FRMASMB11099	SIDE RAIL MOUNT BRACKET,ASSY,ANGLE ADJUSTMENT,2" OUT,LEFT	1	\$58.5	\$97.5	
A2	DWR1360C154	BACK CANE SUPPORT TUBE WELDMENT,RIGHT,C-1360-154	1	N/A	N/A	
A3	NUTNYLK1026	NUT,NYLOCK,BLACK ZINC,5/16-18	1	\$1.29	\$3.28	
A4	DWR1360A002	T-NUT,1/4-20 X 0.5625",A-1360-002	1	\$1.38	\$3.51	
A5	SCRASBH1096	SCREW,BHSCS,BLACK ZINC,1/4-20 X 0.625",GR 8,W/PATCH	1	\$1.29	\$3.28	
A6	SCRHHCS1241	SCREW,HHCS,BLACK ZINC,5/16-18 X 0.75",GR 8,W/PATCH	2	\$1.12	\$2.86	
A7	DWR1005C029	T-NUT,BLACK,5/16-18 X 3.25",3 HOLE,C-1005-029	1	\$2.76	\$7.04	
A8	DWR1005B112	WASHER,COPED,BLACK,NYLON,0.333" ID X 1.00" OD	1	\$1.29	\$3.28	
A9	SCRHHCS1585	SCREW,HHCS,BLACK ZINC,5/16-18 X 2.00",GR 8,W/PATCH	2	\$1.1	\$2.81	
B1	DWR1600B122B	SEAT FRAME,SECUREMENT BRACKET WELDMENT,TEXTURED	2	\$17.89	\$45.62	
B2	SCRHHCS1300	SCREW,HHCS,BLACK ZINC,5/16-18 X 1.00",GR 8,W/PATCH	4	\$1.16	\$2.95	



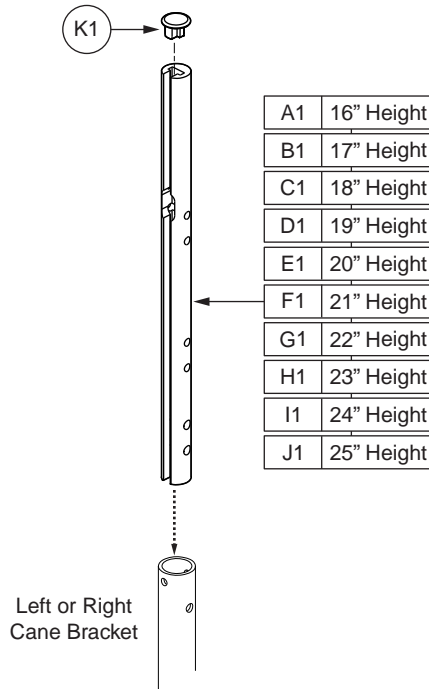
REF #	PART #	DESCRIPTION	QTY	Dealer \$	MSRP	11i
A1a - A9	FRMASMB16395	BACK CANE BRACKET,ASSY,ENDOMORPH,1" IN,SYNERGY,RIGHT	1	\$104.56	\$266.63	
A1b - A9	FRMASMB16394	BACK CANE BRACKET,ASSY,ENDOMORPH,1" IN,SYNERGY,LEFT	1	\$104.56	\$266.63	
A1a	FRMASMB11106	SIDE RAIL MOUNT BRACKET,ASSY,ANGLE ADJUSTMENT,1" IN,RIGHT	1	\$58.5	\$97.5	
A1b	FRMASMB11105	SIDE RAIL MOUNT BRACKET,ASSY,ANGLE ADJUSTMENT,1" IN,LEFT	1	\$58.5	\$97.5	
A2	DWR1360C154	BACK CANE SUPPORT TUBE WELDMENT,RIGHT,C-1360-154	1	N/A	N/A	
A3	NUTNYLK1026	NUT,NYLOCK,BLACK ZINC,5/16-18	1	\$1.29	\$3.28	
A4	DWR1360A002	T-NUT,1/4-20 X 0.5625",A-1360-002	1	\$1.38	\$3.51	
A5	SCRASBH1096	SCREW,BHSCS,BLACK ZINC,1/4-20 X 0.625",GR 8,W/PATCH	1	\$1.29	\$3.28	
A6	SCRHHCS1241	SCREW,HHCS,BLACK ZINC,5/16-18 X 0.75",GR 8,W/PATCH	2	\$1.12	\$2.86	
A7	DWR1005C029	T-NUT,BLACK,5/16-18 X 3.25",3 HOLE,C-1005-029	1	\$2.76	\$7.04	
A8	DWR1005B112	WASHER,COPED,BLACK,NYLON,0.333" ID X 1.00" OD	1	\$1.29	\$3.28	
A9	SCRHHCS1585	SCREW,HHCS,BLACK ZINC,5/16-18 X 2.00",GR 8,W/PATCH	2	\$1.1	\$2.81	
B1	DWR1600B122B	SEAT FRAME,SECUREMENT BRACKET WELDMENT	2	\$17.89	\$45.62	
B2	SCRHHCS1300	SCREW,HHCS,BLACK ZINC,5/16-18 X 1.00",GR 8,W/PATCH	4	\$1.16	\$2.95	



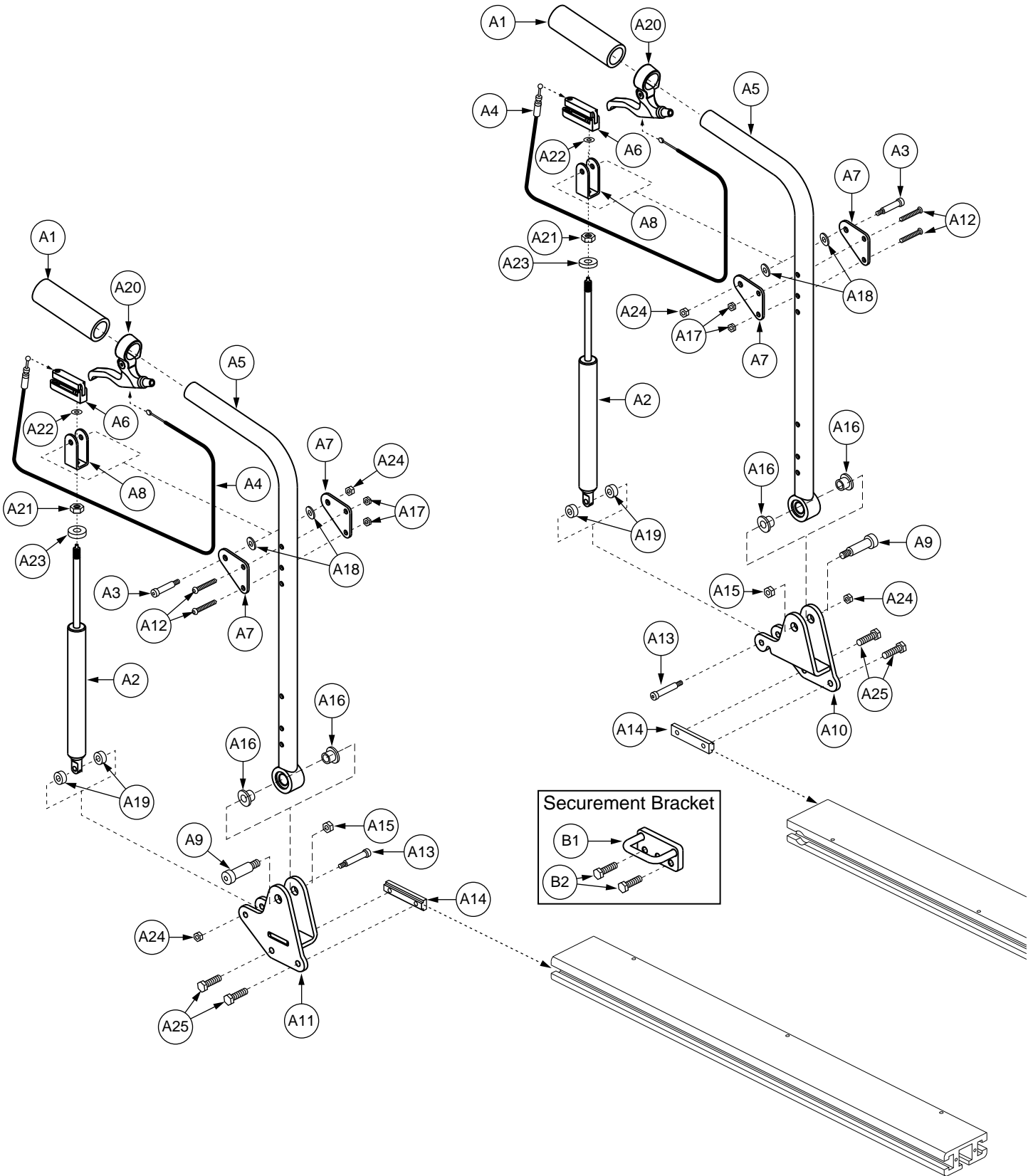
REF #	PART #	DESCRIPTION	QTY	Dealer \$	11i MSRP
A1a - A9	FRMASMB16398	BACK CANE BRACKET,ASSY,ENDOMORPH,2" IN,SYNERGY,RIGHT,TEXTURED	1	\$99.58	\$253.93
A1b - A9	FRMASMB16397	BACK CANE BRACKET,ASSY,ENDOMORPH,2" IN,SYNERGY,LEFT,TEXTURED	1	\$99.58	\$253.93
A1a	FRMASMB11102	SIDE RAIL MOUNT BRACKET,ASSY,ANGLE ADJUSTMENT,2" IN,RIGHT	1	\$58.5	\$97.5
A1b	FRMASMB11101	SIDE RAIL MOUNT BRACKET,ASSY,ANGLE ADJUSTMENT,2" IN,LEFT	1	\$58.5	\$97.5
A2	DWR1360C154	BACK CANE SUPPORT TUBE WELDMENT,RIGHT,C-1360-154	1	N/A	N/A
A3	NUTNYLK1026	NUT,NYLOCK,BLACK ZINC,5/16-18	1	\$1.29	\$3.28
A4	DWR1360A002	T-NUT,1/4-20 X 0.5625",A-1360-002	1	\$1.38	\$3.51
A5	SCRASBH1096	SCREW,BHSCS,BLACK ZINC,1/4-20 X 0.625",GR 8,W/PATCH	1	\$1.29	\$3.28
A6	SCRHHCS1241	SCREW,HHCS,BLACK ZINC,5/16-18 X 0.75",GR 8,W/PATCH	2	\$1.12	\$2.86
A7	DWR1005C029	T-NUT,BLACK,5/16-18 X 3.25",3 HOLE,C-1005-029	1	\$2.76	\$7.04
A8	DWR1005B112	WASHER,COPED,BLACK,NYLON,0.333" ID X 1.00" OD	1	\$1.29	\$3.28
A9	SCRHHCS1585	SCREW,HHCS,BLACK ZINC,5/16-18 X 2.00",GR 8,W/PATCH	2	\$1.1	\$2.81
B1	DWR1600B122B	SEAT FRAME,SECUREMENT BRACKET WELDMENT	2	\$17.89	\$45.62
B2	SCRHHCS1300	SCREW,HHCS,BLACK ZINC,5/16-18 X 1.00",GR 8,W/PATCH	4	\$1.16	\$2.95



REF #	PART #	DESCRIPTION	QTY	Dealer \$	MSRP	11i
A1	FRMASMB15832	BACK CANE,ASSY,W/SHORT PUSH HANDLE,14"H,6 HOLE,SYNERGY	1	\$13.56	\$34.57	
B1	FRMASMB15833	BACK CANE,ASSY,W/SHORT PUSH HANDLE,15"H,6 HOLE,SYNERGY	1	\$13.56	\$34.57	
C1	FRMASMB15834	BACK CANE,ASSY,W/SHORT PUSH HANDLE,16"H,6 HOLE,SYNERGY	1	\$14.58	\$37.19	
D1	FRMASMB15835	BACK CANE,ASSY,W/SHORT PUSH HANDLE,17"H,6 HOLE,SYNERGY	1	\$15.62	\$39.83	
E1	FRMASMB15836	BACK CANE,ASSY,W/SHORT PUSH HANDLE,18"H,6 HOLE,SYNERGY	1	\$16.85	\$42.96	
F1	FRMASMB15837	BACK CANE,ASSY,W/SHORT PUSH HANDLE,19"H,6 HOLE,SYNERGY	1	\$15.73	\$40.11	
G1	FRMASMB15838	BACK CANE,ASSY,W/SHORT PUSH HANDLE,20"H,6 HOLE,SYNERGY	1	\$18.34	\$46.77	
H1	FRMASMB15839	BACK CANE,ASSY,W/SHORT PUSH HANDLE,21"H,6 HOLE,SYNERGY	1	\$18.34	\$46.77	
I1	FRMASMB15840	BACK CANE,ASSY,W/SHORT PUSH HANDLE,22"H,6 HOLE,SYNERGY	1	\$19.16	\$48.86	
J1	FRMASMB15841	BACK CANE,ASSY,W/SHORT PUSH HANDLE,23"H,6 HOLE,SYNERGY	1	\$19.16	\$48.86	
K1	FRMASMB15842	BACK CANE,ASSY,W/SHORT PUSH HANDLE,24"H,6 HOLE,SYNERGY	1	\$20.04	\$51.1	
L1	FRMASMB15843	BACK CANE,ASSY,W/SHORT PUSH HANDLE,25"H,6 HOLE,SYNERGY	1	\$20.04	\$51.1	
M1	PROHDL1052	HAND GRIP,BLACK,FOAM,0.94"ID X 5.00"L X 0.125"TH	1	\$2.71	\$6.92	



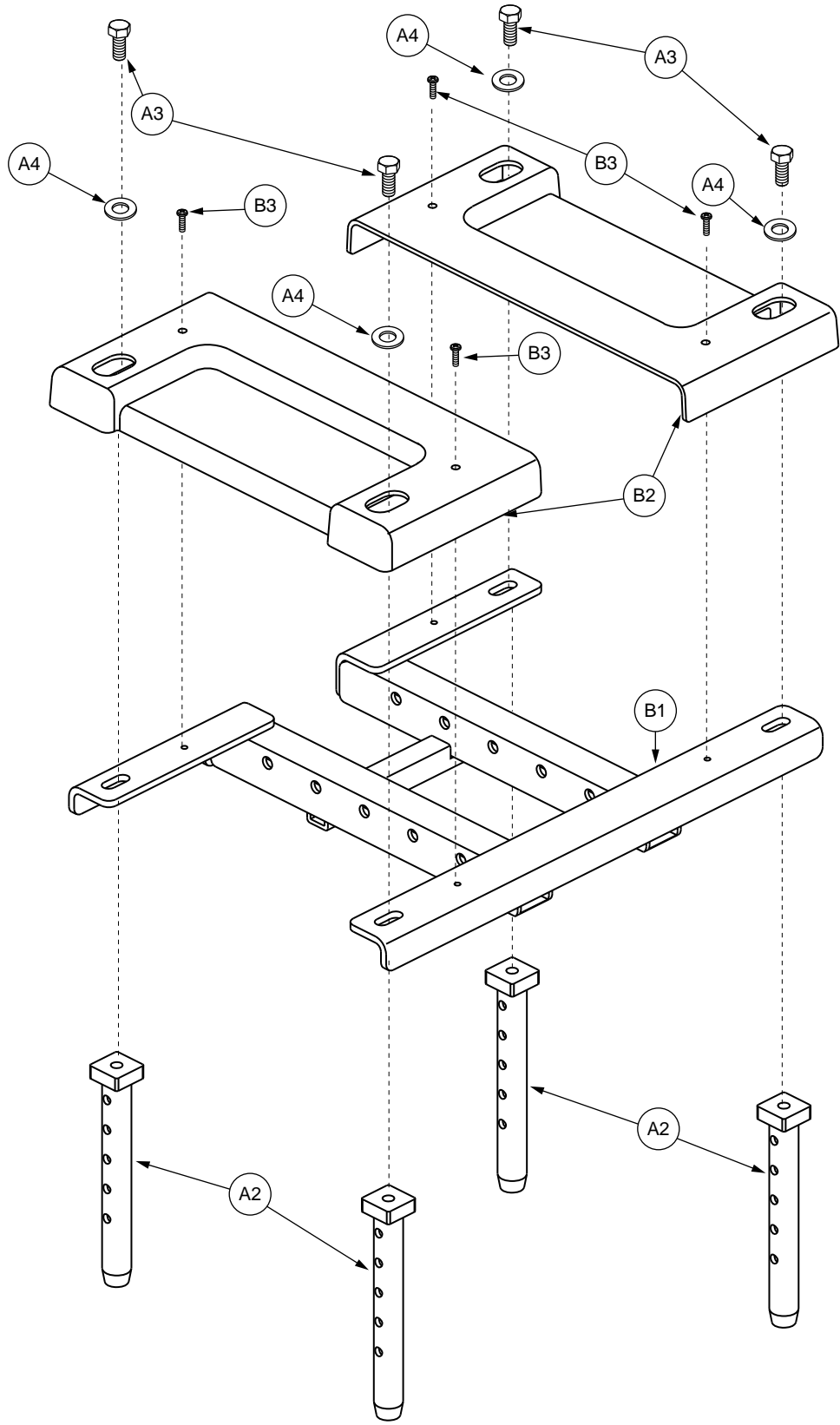
REF #	PART #	DESCRIPTION	QTY	Dealer \$	MSRP	11i
A1	FRMASMB15774	BACK CANE,ASSY,NO PUSH HANDLE,STRAIGHT,16"H,6 HOLE	1	\$19.76	\$50.39	
B1	FRMASMB15775	BACK CANE,ASSY,NO PUSH HANDLE,STRAIGHT,17"H,6 HOLE	1	\$19.76	\$50.39	
C1	FRMASMB15776	BACK CANE,ASSY,NO PUSH HANDLE,STRAIGHT,18"H,6 HOLE	1	\$21.01	\$53.58	
D1	FRMASMB15777	BACK CANE,ASSY,NO PUSH HANDLE,STRAIGHT,19"H,6 HOLE	1	\$21.01	\$53.58	
E1	FRMASMB15778	BACK CANE,ASSY,NO PUSH HANDLE,STRAIGHT,20"H,6 HOLE	1	\$22.75	\$58.02	
F1	FRMASMB15779	BACK CANE,ASSY,NO PUSH HANDLE,STRAIGHT,21"H,6 HOLE	1	\$21.67	\$55.26	
G1	FRMASMB15780	BACK CANE,ASSY,NO PUSH HANDLE,STRAIGHT,22"H,6 HOLE	1	\$23.06	\$58.8	
H1	FRMASMB15781	BACK CANE,ASSY,NO PUSH HANDLE,STRAIGHT,23"H,6 HOLE	1	\$23.07	\$58.82	
I1	FRMASMB15782	BACK CANE,ASSY,NO PUSH HANDLE,STRAIGHT,24"H,6 HOLE	1	\$23.94	\$61.05	
J1	FRMASMB15783	BACK CANE,ASSY,NO PUSH HANDLE,STRAIGHT,25"H,6 HOLE	1	\$23.94	\$61.05	
K1	DWR1367C043	END CAP,RECLINE ARMREST,TRU-BALANCE POWER RECLINE	1	\$1.16	\$2.96	



X. Manual Recline Assembly



REF #	PART #	DESCRIPTION	QTY	Dealer \$	MSRP	11i
A1 - A25	FRMASMB12910	MANUAL RECLINE BACK,ASSY,22"H,SYNERGY SEAT/TRU-BALANCE	1	\$310.46	\$791.68	
A1	PROHDL1052	HAND GRIP,BLACK,FOAM,.94"ID X 5"L X .125"TH,C-1507-094	2	\$2.71	\$6.92	
A2	DWR1600D107	GAS SPRING,SELF LOCKING,60LBS EXT FORCE,4.625" STROKE,16" OVERALL LENGTH,D-1600-107	2	\$22.95	\$58.52	
A3	BLTASHL1071	BOLT,SHOULDER,5/16" X 1.25"	2	\$1.16	\$2.96	
A4	DWR1600B109	CABLE,W/END ADAPTER,BLACK,26"L,B-1600-109	2	\$1.32	\$3.37	
A5	DWR1250E031	BACK CANE EXTRUSION,W/SHORT PUSH HANDLE,22"H,6 HOLE,W/2" BUSHING,MANUAL RECLINE,E-1250-031	2	N/A	N/A	
A6	INDPART2091	ACTUATOR,BRACKET,RELEASE,LOCKING GAS SPRING	2	\$1.22	\$3.12	
A7	DWR1600B107B	MOUNTING BRACKET,PLATE,MANUAL RECLINE GAS SPRING	4	N/A	N/A	
A8	DWR1600B108B	MOUNTING BRACKET,"U",MANUAL RECLINE GAS SPRING	2	N/A	N/A	
A9	BLTASHL1017	BOLT, SHOULDER,1/2" X 1 1/2"	2	\$1.33	\$3.38	
A10	DWR1250D029B	MOUNTING BRACKET,WELDMENT,MANUAL RECLINE,LEFT	1	N/A	N/A	
A11	DWR1250D030B	MOUNTING BRACKET,WELDMENT,MANUAL RECLINE,RIGHT	1	N/A	N/A	
A12	SCRASBH1007	SCREW,BHSCS,BLACK ZINC,1/4-20 X 1.50",GRADE 8	4	\$1.12	\$2.86	
A13	BLTASHL1059	BOLT,SHOULDER,5/16" X 1.50"	2	\$1.1	\$2.81	
A14	DWR1360B015	T-NUT,BLACK,5/16-18 X 3", W/2",HOLE SPACING,B-1360-015	2	\$3.45	\$8.79	
A15	NUTNYLK1006	NUT,NYLOCK,BLACK ZINC,3/8-16	2	\$1.16	\$2.96	
A16	BRGFLNG1002	BEARING, FLANGE,1/2 X 5/8"OD X 3/8"L X 7/8"FLANGE	4	N/A	N/A	
A17	NUTNYLK1014	NUT,HEX,NYLON INSERT,.250-20	4	\$1.16	\$2.96	
A18	WASSTND1097	WASHER, FLAT,BZ,M6 ID X 12MM OD	4	\$1.16	\$2.95	
A19	SPCNYLN1003	SPACER,BLACK,NYLON,0.3125" ID X 0.75" OD X 0.3125" TH	4	\$1.18	\$3.01	
A20	INDPART2092	LEVER,BRAKE,2 FINGER RELEASE, PAIR,DIA-TECH MX-97	2	N/A	N/A	
A21	NUTJAM1029	NUT,JAM,BLACK ZINC,M10-1.0	2	\$1.15	\$2.92	
A22	WASSTND1002	WASHER,FLAT,BLACK ZINC,0.3125" ID X 0.6875" OD X 0.0625" TH	2	\$1.18	\$3.01	
A23	WASNYLN1119	WASHER,BLACK,NYLON,0.50" ID X 1.00" OD X 0.375" TH	2	\$1.1	\$2.81	
A24	NUTNJAM1014	NUT,NYLOCK JAM,BLACK ZINC,1/4-20	4	\$1.12	\$2.86	
A25	SCRHHCS1241	SCREW,HEX HEAD,.3125-18 X .75,SAE J429,GR 8,BZ,PVTP	4	\$1.12	\$2.86	
B1	DWR1600B122B	SEAT FRAME,SECUREMENT BRACKET WELDMENT	2	\$17.89	\$45.62	
B2	SCRHHCS1300	SCREW,HHCS,BLACK ZINC,5/16-18 X 1.00",GR 8,W/PATCH	4	\$1.16	\$2.95	

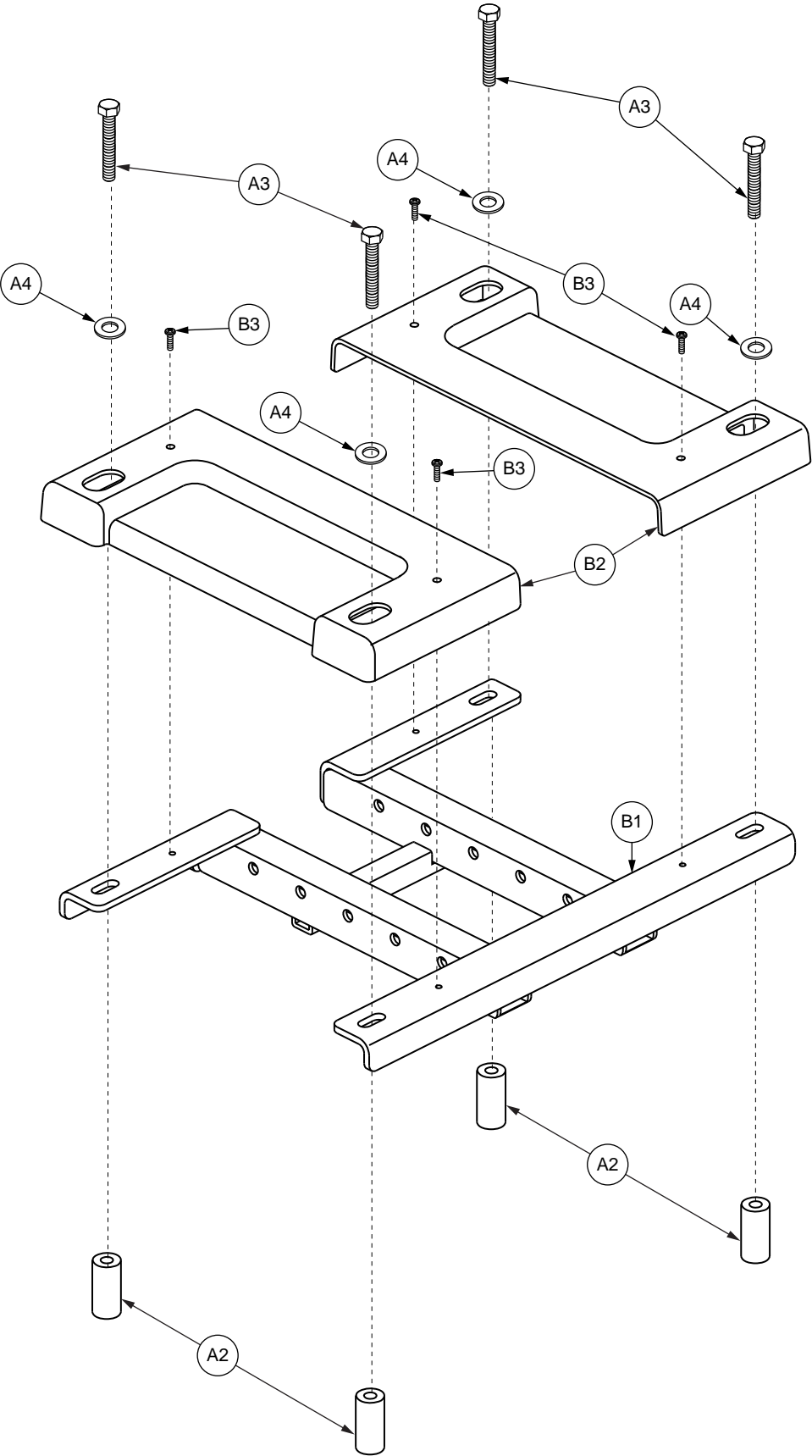




REF #	PART #	DESCRIPTION	QTY	Dealer \$	MSRP	11i
A1a - B3	FRMASMB5385	SEAT FRAME,ASSY,MANUAL TILT,10"W-12"W,13.625" & 14.322" CENTERS	1	\$525.89	\$1341.03	
A1b - B3	FRMASMB5386	SEAT FRAME,ASSY,MANUAL TILT,12"W-14"W,13.625" & 14.322" CENTERS	1	\$525.89	\$1341.03	
A1c - B3	FRMASMB5387	SEAT FRAME,ASSY,MANUAL TILT,14"W-16"W,13.625" & 14.322" CENTERS	1	\$525.89	\$1341.03	
A1d - B3	FRMASMB8776	SEAT FRAME,ASSY,MANUAL TILT,16"W-18"W,13.625" & 14.322" CENTERS	1	\$525.89	\$1341.03	
*A1a	FRMASMB5277	FRAME,ASSY,10"W-12"W,UPPER TILT FRAME,MANUAL TILT	1	\$396.9	\$1012.1	
*A1b	FRMASMB5278	FRAME,ASSY,12"W-14"W,UPPER TILT FRAME,MANUAL TILT	1	\$396.9	\$1012.1	
*A1c	FRMASMB5279	FRAME,ASSY,14"W-16"W,UPPER TILT FRAME,MANUAL TILT	1	\$396.9	\$1012.1	
*A1d	FRMASMB8074	FRAME,ASSY,16"W-18"W,UPPER TILT FRAME,MANUAL TILT	1	\$396.9	\$1012.1	
A2	DWR1600B088	WELDMENT,LOCATOR POST, MODIFIED,B-1600-088	4	N/A	N/A	
A3	SCRHHCS1241	SCREW,HHCS,BLACK ZINC,5/16-18 X 0.75",GR 8,W/PATCH	4	\$1.12	\$2.86	
A4	WASSTND1135	WASHER,FLAT,BLACK ZINC,0.344"ID X 0.750"OD X 0.125"TH	4	\$1.1	\$2.81	
*A5	SCRHHCS1156	SCREW,HHCS,BLACK ZINC,5/16-18 X 0.75",GRADE 8	8	\$1.16	\$2.95	
*A6	DWR1005B215	T-NUT,BLACK,5/16-18 X 2.75",W/3 HOLES,0.74" TH	4	\$2.65	\$6.75	
*A7	SCRSHCS1148	SCREW,SHCS,BLACK ZINC,5/16-18 X 6.50",PARTIAL THREAD	2	\$1.1	\$2.81	
*A8	WASSTND1006	WASHER, FLAT,BLACK ZINC,3/8"ID X 3/4"OD X 1/16"T	2	\$1.1	\$2.81	
*A9	NUTNYLK1026	NUT, NYLOCK,BLACK ZINC,5/16-18	2	\$1.29	\$3.28	
B1 - B3	FRMASMB5274	FRAME,ASSY,LOWER FRAME,12.795",13.625", & 14.322" CENTERS,SYNERGY MANUAL TILT,E-1330-029	1	\$116.87	\$298.01	
B1	DWR1330E022	FRAME,LOWER WELDMENT,12.795",13.625", & 14.322" CENTERS,SYNERGY MANUAL TILT,E-1330-022	1	N/A	N/A	
B2	DWR1330E030	COVER,TILT FRAME,PLASTIC,E-1330-030	2	N/A	N/A	
B3	SCRPTTC1008	SCREW, PPH,10-16 X 5/8",SELF-TAP	4	\$1.1	\$2.81	

Notes :

Top-level assemblies will include components designated with corresponding lower-case letters. Parts without lower-case extensions will be included in all top-level assemblies. For all items referenced with an "*", refer to SECTION XI. Manual Tilt Assembly - Upper assemblies for the illustration and parts list.

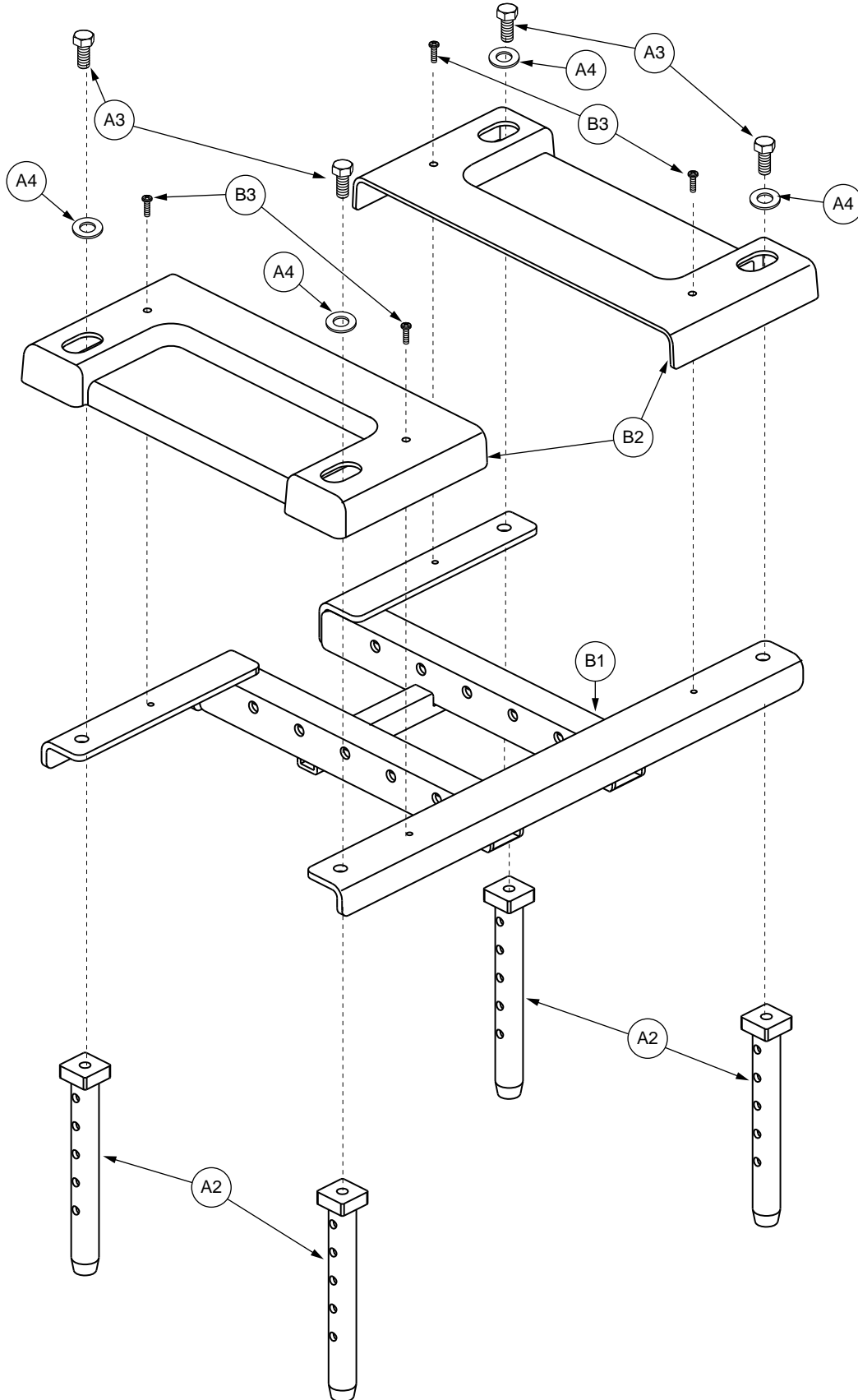




REF #	PART #	DESCRIPTION	QTY	Dealer \$	11i MSRP
A1a - B3	FRMASMB16299	SEAT FRAME,ASSY,SYNERGY MANUAL TILT,10"W-12"W,14" CENTERS	1	\$555.93	\$1417.62
A1b - B3	FRMASMB16300	SEAT FRAME,ASSY,SYNERGY MANUAL TILT,12"W-14"W,14" CENTERS	1	\$555.93	\$1417.62
A1c - B3	FRMASMB16301	SEAT FRAME,ASSY,SYNERGY MANUAL TILT,14"W-16"W,14" CENTERS	1	\$555.93	\$1417.62
A1d - B3	FRMASMB16302	SEAT FRAME,ASSY,SYNERGY MANUAL TILT,16"W-18"W,14" CENTERS	1	\$555.93	\$1417.62
*A1a	FRMASMB5277	FRAME,ASSY,10"W-12"W,UPPER TILT FRAME,SYNERGY MANUAL TILT,E-1330-026	1	\$396.9	\$1012.1
*A1b	FRMASMB5278	FRAME,ASSY,12"W-14"W,UPPER TILT FRAME,SYNERGY MANUAL TILT,E-1330-027	1	\$396.9	\$1012.1
*A1c	FRMASMB5279	FRAME,ASSY,14"W-16"W,UPPER TILT FRAME,SYNERGY MANUAL TILT,E-1330-028	1	\$396.9	\$1012.1
*A1d	FRMASMB8074	FRAME,ASSY,16"W-18"W,UPPER TILT FRAME,SYNERGY MANUAL TILT,E-1330-043	1	\$396.9	\$1012.1
A2	DWR1220C023	SPACER,STEEL,0.386" ID,1.00" OD,2.00" L,C-1220-023	4	N/A	N/A
A3	SCRHHCS1673	SCREW,HHCS,BLACK ZINC,3/8-16 X 2.75",GRADE 8,W/NYLON PATCH	4	N/A	N/A
A4	WASSTND1006	WASHER,FLAT,BLACK ZINC,3/8"ID X 3/4"OD X 1/16"TH	4	\$1.1	\$2.81
*A5	SCRHHCS1156	SCREW,HHCS,BLACK ZINC,5/16-18 X 0.75",GRADE 8	8	\$1.16	\$2.95
*A6	DWR1005B215	T-NUT,BLACK,5/16-18 X 2.75",W/3 HOLES,0.74" TH	4	\$2.65	\$6.75
*A7	SCRSHCS1148	SCREW,SHCS,BLACK ZINC,5/16-18 X 6.50",PARTIAL THREAD	2	\$1.1	\$2.81
*A8	WASSTND1006	WASHER,FLAT,BLACK ZINC,3/8"ID X 3/4"OD X 1/16"TH	2	\$1.1	\$2.81
*A9	NUTNYLK1026	NUT,NYLOCK,BLACK ZINC,5/16-18	2	\$1.29	\$3.28
B1 - B3	FRMASMB5274	FRAME,ASSY,LOWER FRAME,12.795",13.625", & 14.322" CENTERS,SYNERGY MANUAL TILT,E-1330-029	1	\$116.87	\$298.01
B1	DWR1330E022	FRAME,LOWER WELDMENT,12.795",13.625", & 14.322" CENTERS,SYNERGY MANUAL TILT,E-1330-022	1	N/A	N/A
B2	DWR1330E030	COVER,TILT FRAME,PLASTIC,E-1330-030	2	\$24.26	\$61.85
B3	SCRPTTC1008	SCREW, PPH,10-16 X 5/8",SELF-TAP	4	\$1.1	\$2.81

Notes :

Top-level assemblies will include components designated with corresponding lower-case letters. Parts without lower-case extensions will be included in all top-level assemblies. For all items referenced with an "***", refer to SECTION XI. Manual Tilt Assembly - Upper for the illustration and parts list.

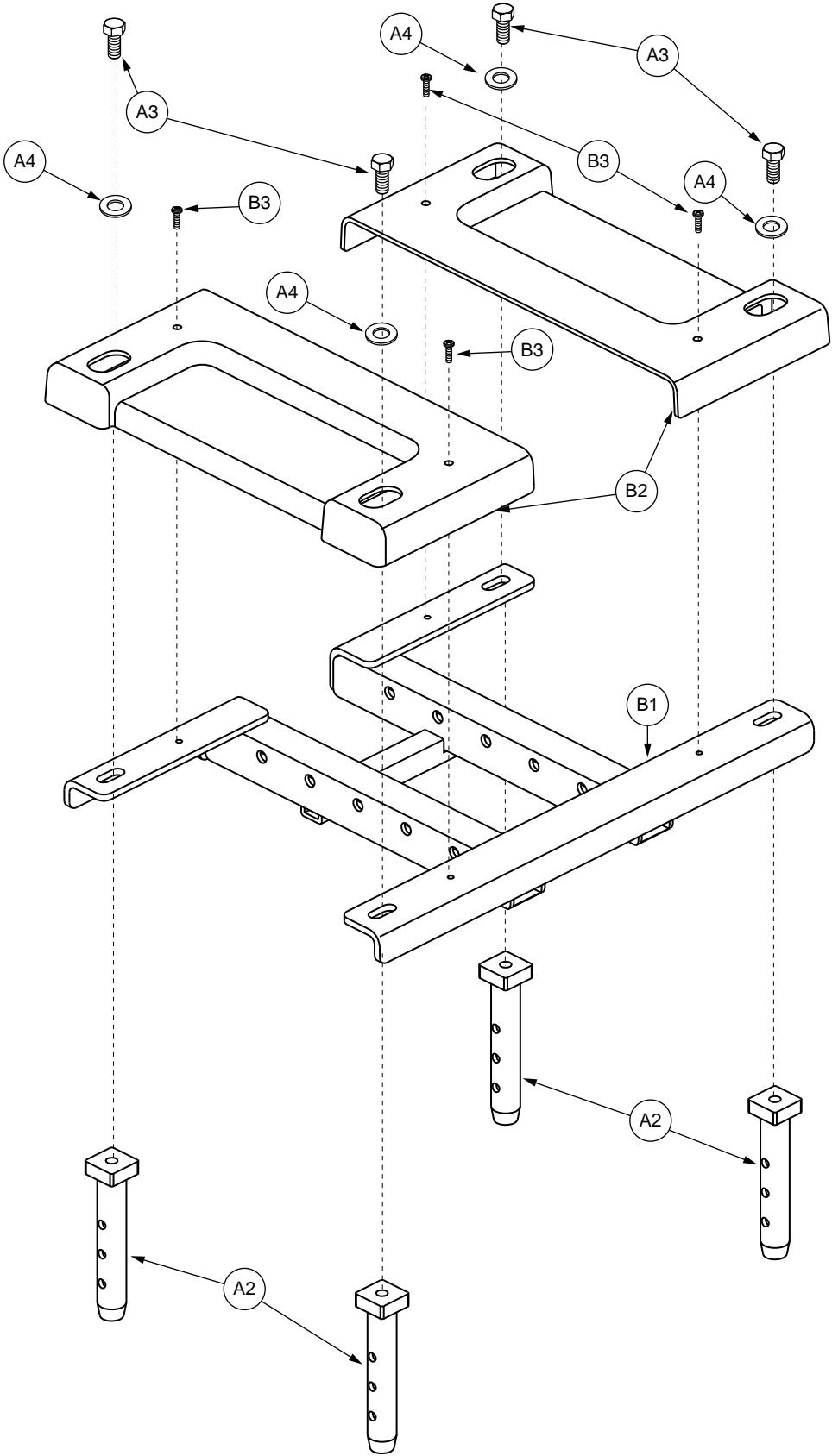




REF #	PART #	DESCRIPTION	QTY	Dealer \$	11i MSRP
A1a - B3	FRMASMB5388	SEAT FRAME,ASSY,SYNERGY MANUAL TILT,10"W-12"W,16.125"CENTERS	1	N/A	N/A
A1b - B3	FRMASMB5389	SEAT FRAME,ASSY,SYNERGY MANUAL TILT,12"W-14"W,16.125"CENTERS	1	N/A	N/A
A1c - B3	FRMASMB5390	SEAT FRAME,ASSY,SYNERGY MANUAL TILT,14"W-18"W,16.125"CENTERS	1	N/A	N/A
A1d - B3	FRMASMB8777	SEAT FRAME,ASSY,SYNERGY MANUAL TILT,16"W-18"W,16.125"CENTERS	1	N/A	N/A
*A1a	FRMASMB5277	FRAME,ASSY,10"W-12"W,UPPER TILT FRAME,SYNERGY MANUAL TILT,E-1330-026	1	\$396.9	\$1012.1
*A1b	FRMASMB5278	FRAME,ASSY,12"W-14"W,UPPER TILT FRAME,SYNERGY MANUAL TILT,E-1330-027	1	\$396.9	\$1012.1
*A1c	FRMASMB5279	FRAME,ASSY,14"W-16"W,UPPER TILT FRAME,SYNERGY MANUAL TILT,E-1330-028	1	\$396.9	\$1012.1
*A1d	FRMASMB8074	FRAME,ASSY,16"W-18"W,UPPER TILT FRAME,SYNERGY MANUAL TILT,E-1330-043	1	\$396.9	\$1012.1
A2	DWR1600B088	WELDMENT,LOCATOR POST, MODIFIED,B-1600-088	4	N/A	N/A
A3	SCRHHCS1241	SCREW,HHCS,BLACK ZINC,5/16-18 X 0.75",GR 8,W/PATCH	4	\$1.12	\$2.86
A4	WASSTND1135	WASHER,FLAT,BLACK ZINC,0.344"ID X 0.750"OD X 0.125"TH	4	\$1.1	\$2.81
*A5	SCRHHCS1156	SCREW,HHCS,BLACK ZINC,5/16-18 X 0.75",GRADE 8	8	\$1.16	\$2.95
*A6	DWR1005B215	T-NUT,BLACK,5/16-18 X 2.75",W/3 HOLES,0.74" TH	4	\$2.65	\$6.75
*A7	SCRSHCS1148	SCREW,SHCS,BLACK ZINC,5/16-18 X 6.50",PARTIAL THREAD	2	\$1.1	\$2.81
*A8	WASSTND1006	WASHER, FLAT,BLACK ZINC,3/8"ID X 3/4"OD X 1/16"T	2	\$1.1	\$2.81
*A9	NUTNYLK1026	NUT, NYLOCK,BLACK ZINC,5/16-18	2	\$1.29	\$3.28
B1 - B3	FRMASMB5275	FRAME,ASSY,LOWER FRAME,16.125" CENTERS,SYNERGY MANUAL TILT,E-1330-031	1	\$116.87	\$298.01
B1	DWR1330E023	FRAME,LOWER WELDMENT,16.125" CENTERS,SYNERGY MANUAL TILT,E-1330-023	1	N/A	N/A
B2	DWR1330E030	COVER,TILT FRAME,PLASTIC,E-1330-030	2	N/A	N/A
B3	SCRPPTC1008	SCREW, PPH,10-16 X 5/8",SELF-TAP	4	\$1.1	\$2.81

Notes :

Top-level assemblies will include components designated with corresponding lower-case letters. Parts without lower-case extensions will be included in all top-level assemblies. For all items referenced with an "***", refer to SECTION XI. Manual Tilt Assembly - Upper assemblies for the illustration and parts list.

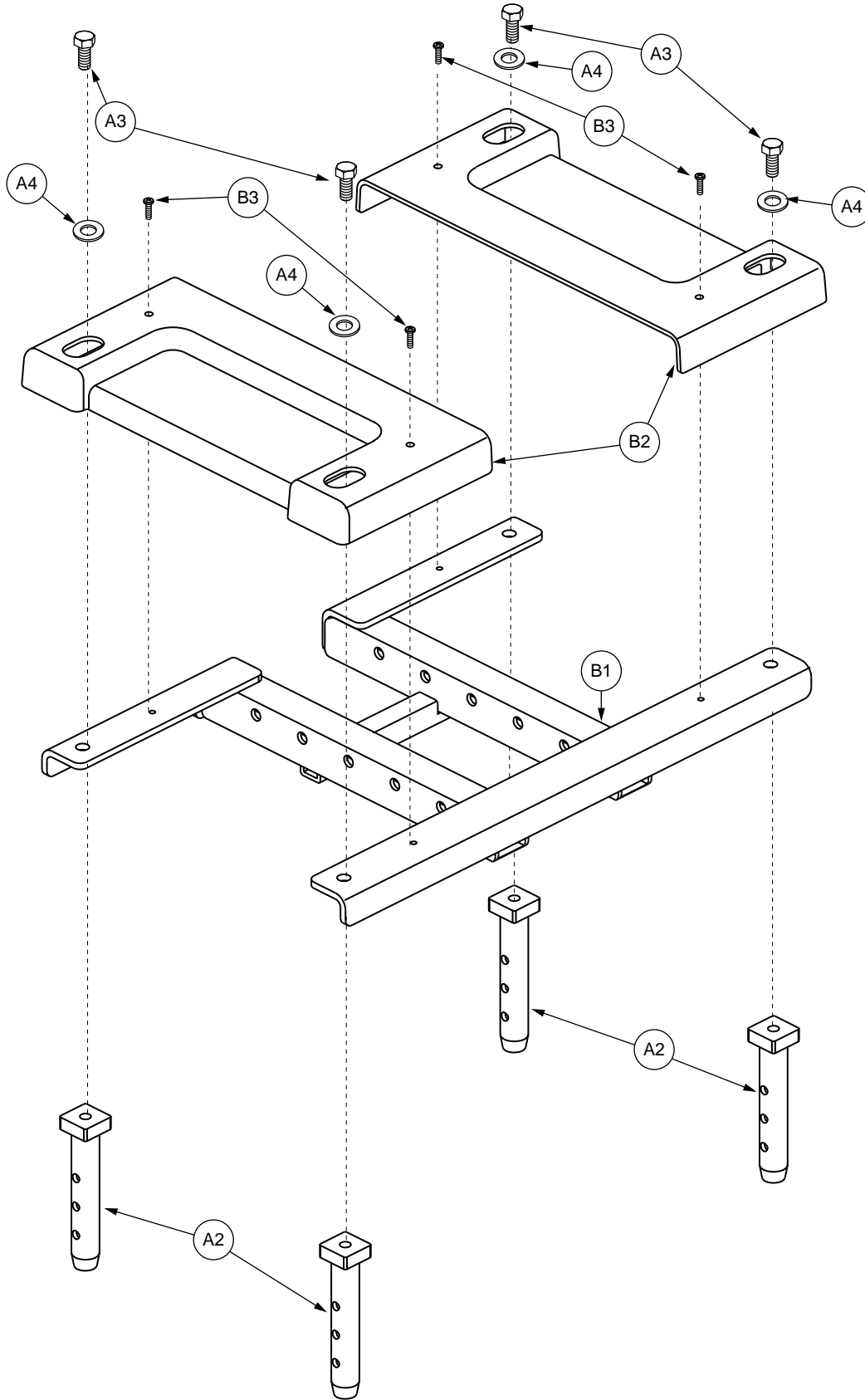




REF #	PART #	DESCRIPTION	QTY	Dealer \$	11i MSRP
A1a - B3	FRMASMB8566	SEAT FRAME,ASSY,SYNERGY MANUAL TILT,10"W-12"W,12.795" CENTERS,QUANTUM600	1	N/A	N/A
A1b - B3	FRMASMB8567	SEAT FRAME,ASSY,SYNERGY MANUAL TILT,12"W-14"W,12.795" CENTERS,QUANTUM600	1	N/A	N/A
A1c - B3	FRMASMB8568	SEAT FRAME,ASSY,SYNERGY MANUAL TILT,14"W-16"W,12.795" CENTERS,QUANTUM600	1	N/A	N/A
A1d - B3	FRMASMB9288	SEAT FRAME,ASSY,SYNERGY MANUAL TILT,16"W-18"W,12.795" CENTERS,QUANTUM600	1	N/A	N/A
*A1a	FRMASMB5277	FRAME,ASSY,10"W-12"W,UPPER TILT FRAME,SYNERGY MANUAL TILT,E-1330-026	1	\$396.9	\$1012.1
*A1b	FRMASMB5278	FRAME,ASSY,12"W-14"W,UPPER TILT FRAME,SYNERGY MANUAL TILT,E-1330-027	1	\$396.9	\$1012.1
*A1c	FRMASMB5279	FRAME,ASSY,14"W-16"W,UPPER TILT FRAME,SYNERGY MANUAL TILT,E-1330-028	1	\$396.9	\$1012.1
*A1d	FRMASMB8074	FRAME,ASSY,16"W-18"W,UPPER TILT FRAME,SYNERGY MANUAL TILT,E-1330-043	1	\$396.9	\$1012.1
A2	DWR1330C047	LOCATOR POST,WELDMENT,3 HOLE,5.455",C-1330-047	4	\$22.12	\$56.41
A3	SCRHHCS1241	SCREW,HHCS,BLACK ZINC,5/16-18 X 0.75",GR 8,W/PATCH	4	\$1.12	\$2.86
A4	WASSTND1135	WASHER,FLAT,BLACK ZINC,0.344"ID X 0.750"OD X 0.125"TH	4	\$1.1	\$2.81
*A5	SCRHHCS1156	SCREW,HHCS,BLACK ZINC,5/16-18 X 0.75",GRADE 8	8	\$1.16	\$2.95
*A6	DWR1005B215	T-NUT,BLACK,5/16-18 X 2.75",W/3 HOLES,0.74" TH	4	\$2.65	\$6.75
*A7	SCRSHCS1148	SCREW,SHCS,BLACK ZINC,5/16-18 X 6.50",PARTIAL THREAD	2	\$1.1	\$2.81
*A8	WASSTND1006	WASHER, FLAT,BLACK ZINC,3/8"ID X 3/4"OD X 1/16"T	2	\$1.1	\$2.81
*A9	NUTNYLK1026	NUT, NYLOCK,BLACK ZINC,5/16-18	2	\$1.29	\$3.28
B1 - B3	FRMASMB5274	FRAME,ASSY,LOWER FRAME,12.795",13.625", & 14.322" CENTERS,SYNERGY MANUAL TILT,E-1330-029	1	\$116.87	\$298.01
B1	DWR1330E022	FRAME,LOWER WELDMENT,12.795",13.625", & 14.322" CENTERS,SYNERGY MANUAL TILT,E-1330-022	1	N/A	N/A
B2	DWR1330E030	COVER,TILT FRAME,PLASTIC,E-1330-030	2	N/A	N/A
B3	SCRPPTC1008	SCREW, PPH,10-16 X 5/8",SELF-TAP	4	\$1.1	\$2.81

Notes :

Top-level assemblies will include components designated with corresponding lower-case letters. Parts without lower-case extensions will be included in all top-level assemblies. For all items referenced with an "*", refer to SECTION XI. Manual Tilt Assembly - Upper assemblies for the illustration and parts list.

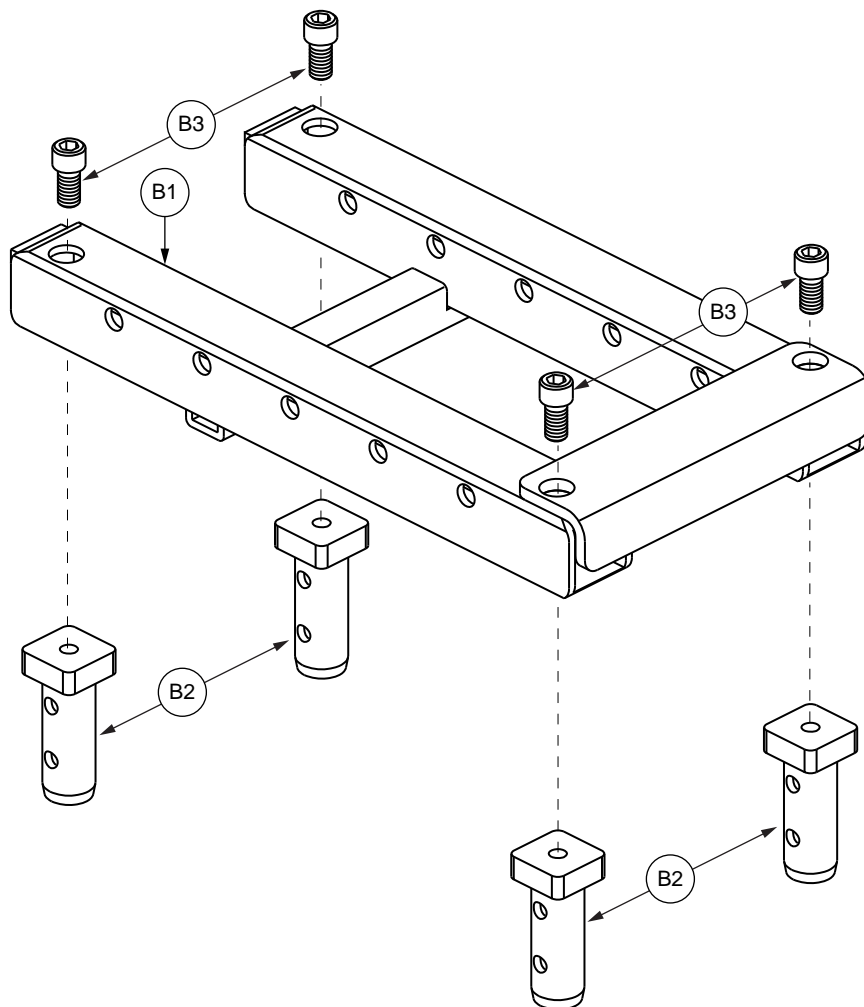




REF #	PART #	DESCRIPTION	QTY	Dealer \$	MSRP	11i
A1a - B3	FRMASMB9299	SEAT FRAME,ASSY,SYNERGY MANUAL TILT,10"W-12"W,16.125"CENTERS,QUANTUM6000	1	N/A	N/A	
A1b - B3	FRMASMB9300	SEAT FRAME,ASSY,SYNERGY MANUAL TILT,12"W-14"W,16.125"CENTERS,QUANTUM6000	1	N/A	N/A	
A1c - B3	FRMASMB9301	SEAT FRAME,ASSY,SYNERGY MANUAL TILT,14"W-16"W,16.125"CENTERS,QUANTUM6000	1	N/A	N/A	
A1d - B3	FRMASMB9302	SEAT FRAME,ASSY,SYNERGY MANUAL TILT,16"W-18"W,16.125"CENTERS,QUANTUM6000	1	N/A	N/A	
*A1a	FRMASMB5277	FRAME,ASSY,10"W-12"W,UPPER TILT FRAME,SYNERGY MANUAL TILT,E-1330-026	1	\$396.9	\$1012.1	
*A1b	FRMASMB5278	FRAME,ASSY,12"W-14"W,UPPER TILT FRAME,SYNERGY MANUAL TILT,E-1330-027	1	\$396.9	\$1012.1	
*A1c	FRMASMB5279	FRAME,ASSY,14"W-16"W,UPPER TILT FRAME,SYNERGY MANUAL TILT,E-1330-028	1	\$396.9	\$1012.1	
*A1d	FRMASMB8074	FRAME,ASSY,16"W-18"W,UPPER TILT FRAME,SYNERGY MANUAL TILT,E-1330-043	1	\$396.9	\$1012.1	
A2	DWR1330C047	LOCATOR POST,WELDMENT,3 HOLE,5.455",C-1330-047	4	\$22.12	\$56.41	
A3	SCRHHCS1241	SCREW,HHCS,BLACK ZINC,5/16-18 X 0.75",GR 8,W/PATCH	4	\$1.12	\$2.86	
A4	WASSTND1135	WASHER,FLAT,BLACK ZINC,0.344"ID X 0.750"OD X 0.125"TH	4	\$1.1	\$2.81	
*A5	SCRHHCS1156	SCREW,HHCS,BLACK ZINC,5/16-18 X 0.75",GRADE 8	8	\$1.16	\$2.95	
*A6	DWR1005B215	T-NUT,BLACK,5/16-18 X 2.75",W/3 HOLES,0.74" TH	4	\$2.65	\$6.75	
*A7	SCRSHCS1148	SCREW,SHCS,BLACK ZINC,5/16-18 X 6.50",PARTIAL THREAD	2	\$1.1	\$2.81	
*A8	WASSTND1006	WASHER, FLAT,BLACK ZINC,3/8"ID X 3/4"OD X 1/16"T	2	\$1.1	\$2.81	
*A9	NUTNYLK1026	NUT, NYLOCK,BLACK ZINC,5/16-18	2	\$1.29	\$3.28	
B1 - B3	FRMASMB5275	FRAME,ASSY,LOWER FRAME,16.125" CENTERS,SYNERGY MANUAL TILT,E-1330-031	1	\$116.87	\$298.01	
B1	DWR1330E023	FRAME,LOWER WELDMENT,16.125" CENTERS,SYNERGY MANUAL TILT,E-1330-023	1	N/A	N/A	
B2	DWR1330E030	COVER,TILT FRAME,PLASTIC,E-1330-030	2	N/A	N/A	
B3	SCRPPTC1008	SCREW, PPH,10-16 X 5/8",SELF-TAP	4	\$1.1	\$2.81	

Notes :

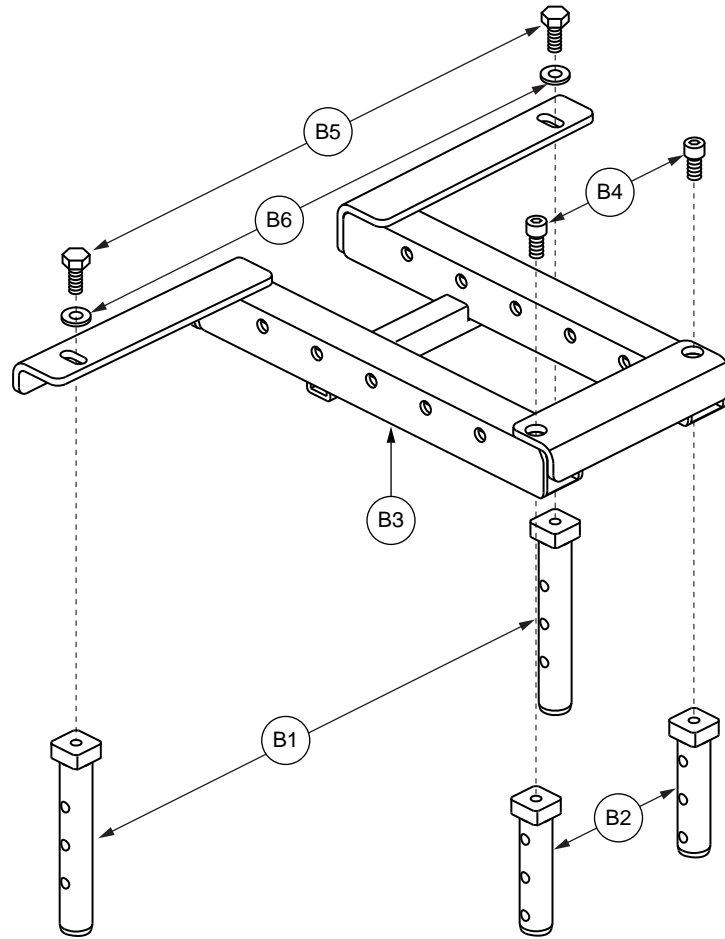
Top-level assemblies will include components designated with corresponding lower-case letters. Parts without lower-case extensions will be included in all top-level assemblies. For all items referenced with an "*", refer to SECTION XI. Manual Tilt Assembly - Upper assemblies for the illustration and parts list.



REF #	PART #	DESCRIPTION	QTY	Dealer \$	11i MSRP
A1a - B3	FRMASMB7220	SEAT FRAME,ASSY,MANUAL TILT,10"W-12"W,5.039" CENTERS	1	N/A	N/A
A1b - B3	FRMASMB7221	SEAT FRAME,ASSY,MANUAL TILT,12"W-14"W,5.039" CENTERS	1	N/A	N/A
A1c - B3	FRMASMB7222	SEAT FRAME,ASSY,MANUAL TILT,14"W-16"W,5.039" CENTERS	1	N/A	N/A
A1d - B3	FRMASMB8778	SEAT FRAME,ASSY,MANUAL TILT,16"W-18"W,5.039" CENTERS	1	N/A	N/A
*A1a	FRMASMB5277	FRAME,ASSY,10"W-12"W,UPPER TILT FRAME,MANUAL TILT	1	\$396.9	\$1012.1
*A1b	FRMASMB5278	FRAME,ASSY,12"W-14"W,UPPER TILT FRAME,MANUAL TILT	1	\$396.9	\$1012.1
*A1c	FRMASMB5279	FRAME,ASSY,14"W-16"W,UPPER TILT FRAME,MANUAL TILT	1	\$396.9	\$1012.1
*A1d	FRMASMB8074	FRAME,ASSY,16"W-18"W,UPPER TILT FRAME,MANUAL TILT	1	\$396.9	\$1012.1
*A2	SCRSHCS1148	SCREW,SHCS,BLACK ZINC,5/16-18 X 6.50",PARTIAL THREAD	2	\$1.1	\$2.81
*A3	WASSTND1006	WASHER, FLAT,BLACK ZINC,3/8"ID X 3/4"OD X 1/16"T	2	\$1.1	\$2.81
*A4	NUTNYLK1026	NUT, NYLOCK,BLACK ZINC,5/16-18	2	\$1.29	\$3.28
*A5	SCRHHCS1156	SCREW,HHCS,BLACK ZINC,5/16-18 X 0.75",GRADE 8	8	\$1.16	\$2.95
*A6	DWR1005B215	T-NUT,BLACK,5/16-18 X 2.75",W/3 HOLES,0.74" TH	4	\$2.65	\$6.75
B1 - B3	FRMASMB7065	SEAT FRAME,ASSY,5.039" CENTERS,SYNERGY MANUAL TILT ON JAZZY 1103 ULTRA,W/TOWERS,LOWER,E-1330-040	1	\$171.99	\$438.57
B1	DWR1330E039	SEAT FRAME,WELDMNT,MANUAL TILT ON JAZZY 1103 ULTRA	1	N/A	N/A
B2	DWR1330B084	SEAT TOWER,WELDMNT,2"L,LOCATOR POST,B-1330-084	4	N/A	N/A
B3	SCRSHCS1147	SCREW,SHCS,BLACK ZINC,5/16-18 X 0.625",GR 8,W/PATCH	4	\$1.1	\$2.81

Notes :

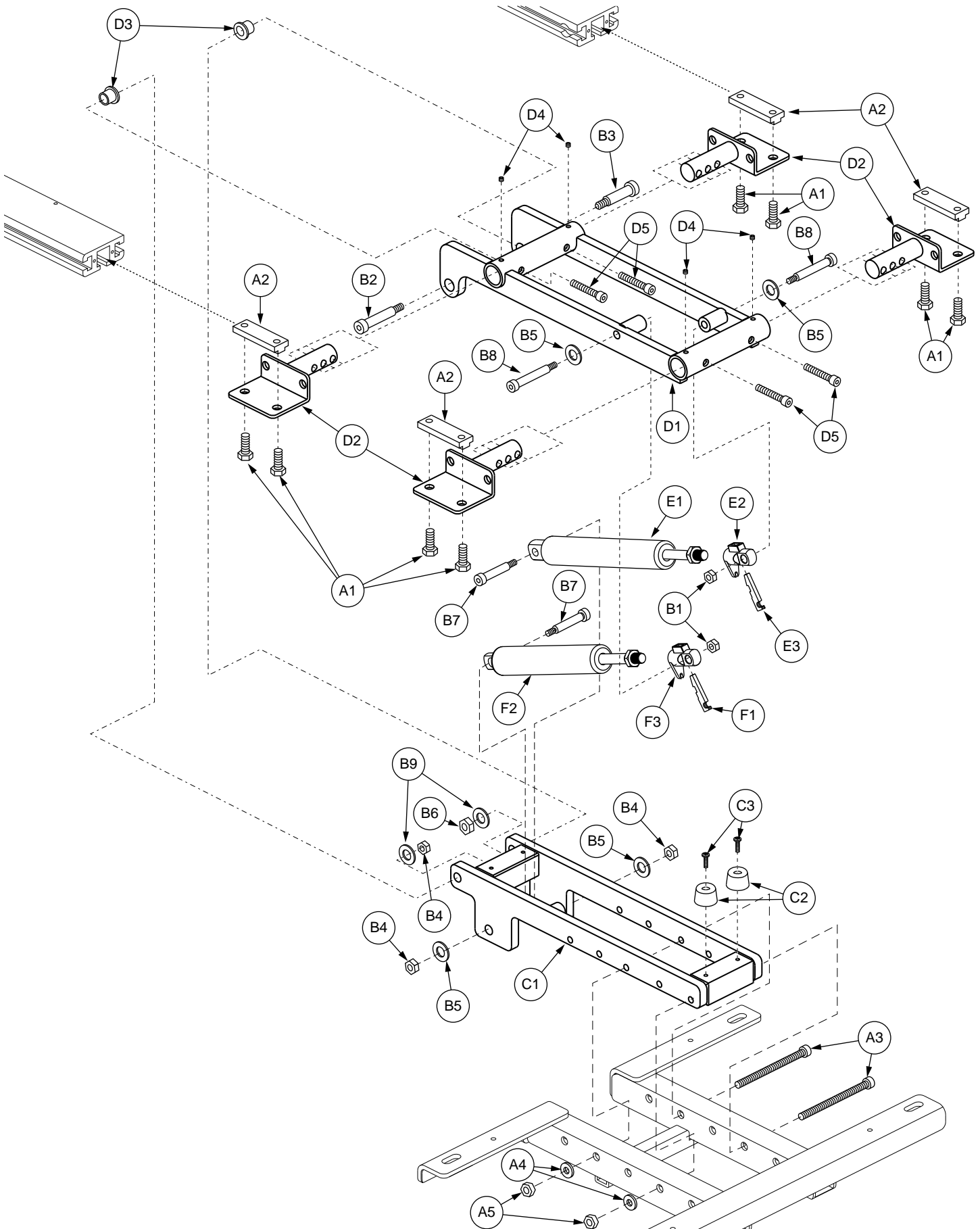
Top-level assemblies will include components designated with corresponding lower-case letters. Parts without lower-case extensions will be included in all top-level assemblies. For all items referenced with an "*", refer to SECTION XI. Manual Tilt Assembly - Upper assemblies for the illustration and parts list.



REF #	PART #	DESCRIPTION	QTY	Dealer \$	MSRP	11i
A1a - B6	FRMASMB8068	SEAT FRAME,ASSY,MANUAL TILT,10"W-12"W,J/Q1107	1	N/A	N/A	
A1b - B6	FRMASMB8069	SEAT FRAME,ASSY,MANUAL TILT,12"W-14"W,J/Q1107	1	N/A	N/A	
A1c - B6	FRMASMB8070	SEAT FRAME,ASSY,MANUAL TILT,14"W-16"W,J/Q1107	1	N/A	N/A	
A1d - B6	FRMASMB8071	SEAT FRAME,ASSY,MANUAL TILT,16"W-18"W,J/Q1107	1	N/A	N/A	
*A1a	FRMASMB5277	FRAME,ASSY,10"W-12"W,UPPER TILT FRAME,MANUAL TILT	1	\$396.9	\$1012.1	
*A1b	FRMASMB5278	FRAME,ASSY,12"W-14"W,UPPER TILT FRAME,MANUAL TILT	1	\$396.9	\$1012.1	
*A1c	FRMASMB5279	FRAME,ASSY,14"W-16"W,UPPER TILT FRAME,MANUAL TILT	1	\$396.9	\$1012.1	
*A1d	FRMASMB8074	FRAME,ASSY,16"W-18"W,UPPER TILT FRAME,MANUAL TILT	1	\$396.9	\$1012.1	
*A2	NUTNYLK1026	NUT, NYLOCK,BLACK ZINC,5/16-18	2	\$1.29	\$3.28	
*A3	SCRHHCS1156	SCREW,HHCS,BLACK ZINC,5/16-18 X 0.75",GRADE 8	8	\$1.16	\$2.95	
*A4	DWR1005B215	T-NUT,BLACK,5/16-18 X 2.75",W/3 HOLES,0.74" TH	4	\$2.65	\$6.75	
*A5	SCRSHCS1148	SCREW,SHCS,BLACK ZINC,5/16-18 X 6.50",PARTIAL THREAD	2	\$1.1	\$2.81	
*A6	WASSTND1006	WASHER, FLAT,BLACK ZINC,3/8"ID X 3/4"OD X 1/16"TH	2	\$1.1	\$2.81	
B1 - B6	FRMASMB8073	SEAT FRAME,ASSY,MANUAL TILT,J/Q1107,W/TOWERS,LOWER	1	N/A	N/A	
B1	DWR1330C040	LOCATOR POST,MACHINED,4.875"L,C-1330-040	2	N/A	N/A	
B2	DWR1330C041	LOCATOR POST,MACHINED,3.40"L,C-1330-041	2	N/A	N/A	
B3	DWR1330E041	FRAME,LOWER WELDMENT,MANUAL TILT ON JAZZY 1107	1	N/A	N/A	
B4	SCRSHCS1147	SCREW,SHCS,BLACK ZINC,5/16-18 X 0.625",GR 8,W/PATCH	2	\$1.1	\$2.81	
B5	SCRHHCS1241	SCREW,HHCS,BLACK ZINC,5/16-18 X 0.75",GR 8,W/PATCH	2	\$1.12	\$2.86	
B6	WASSTND1002	WASHER,FLAT,BLACK ZINC,0.3125"ID X 0.6875"OD X 0.0625"TH	2	\$1.18	\$3.01	

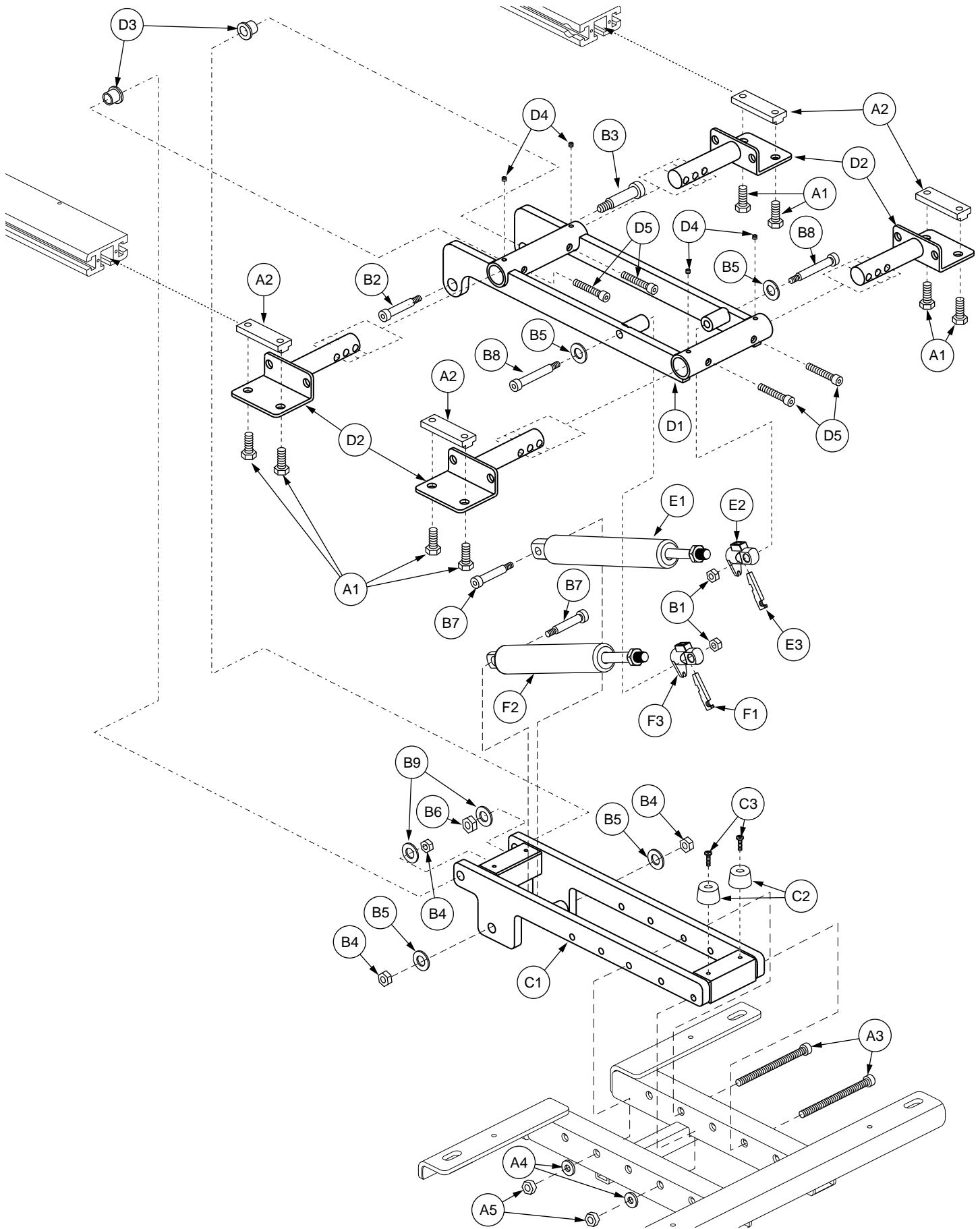
Notes :

Top-level assemblies will include components designated with corresponding lower-case letters. Parts without lower-case extensions will be included in all top-level assemblies. For all items referenced with an "*", refer to SECTION XI. Manual Tilt Assembly - Upper assemblies for the illustration and parts list.





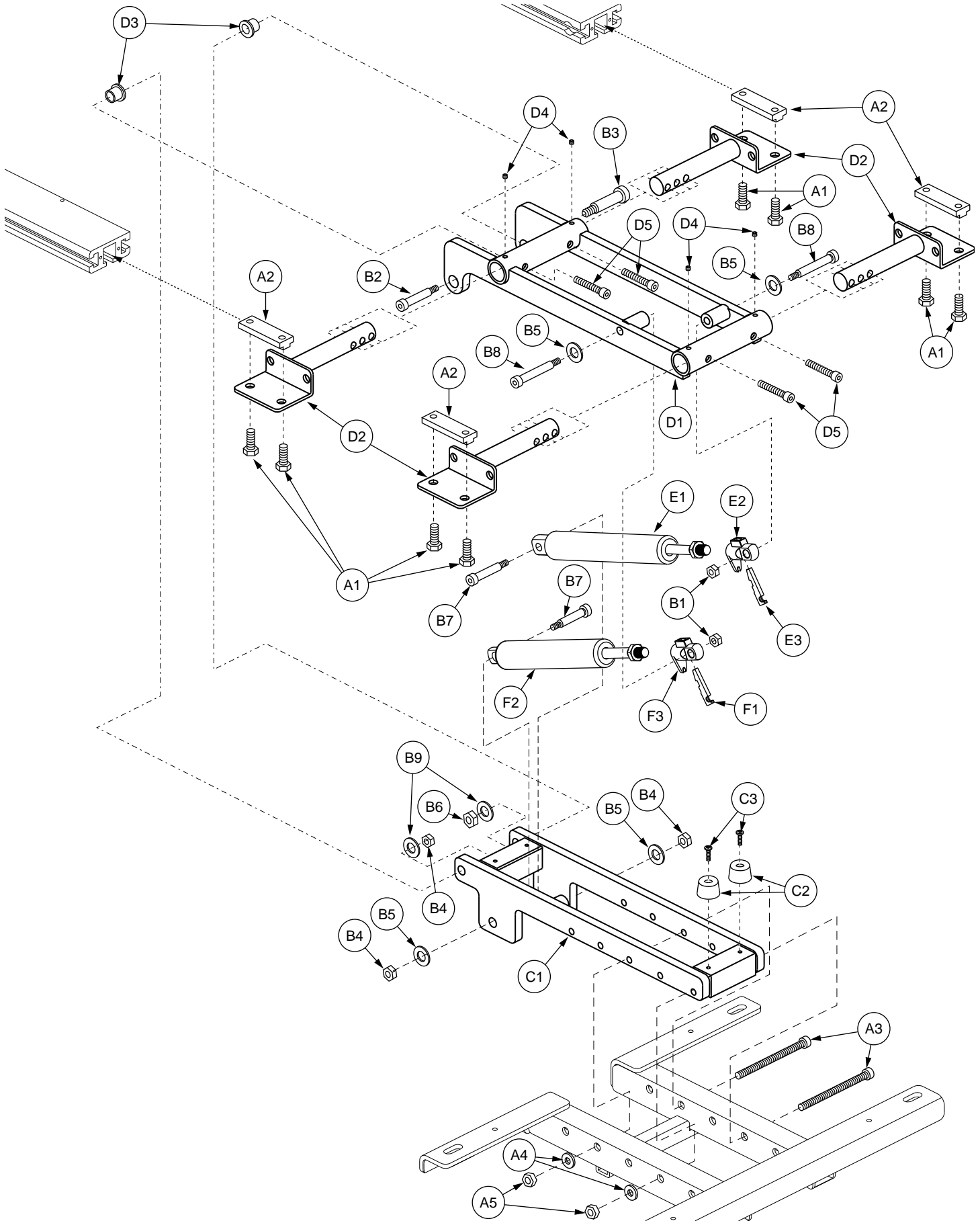
REF #	PART #	DESCRIPTION	QTY	Dealer \$	MSRP	11i
A1	SCRHHCS1156	SCREW,HHCS,BLACK ZINC,5/16-18 X 0.75",GRADE 8	8	\$1.16	\$2.95	
A2	DWR1360B018	T-NUT,BLACK,5/16-18 X 2.25",W/1.75",HOLE SPACING,B-1360-018	4	\$3.47	\$8.86	
A3	SCRSHCS1148	SCREW,SHCS,BLACK ZINC,5/16-18 X 6.50",PARTIAL THREAD	2	\$1.1	\$2.81	
A4	WASSTND1006	WASHER, FLAT,BLACK ZINC,3/8"ID X 3/4"OD X 1/16"T	2	\$1.1	\$2.81	
A5	NUTNYLK1026	NUT, NYLOCK,BLACK ZINC,5/16-18	2	\$1.29	\$3.28	
B1 - F3	FRMASMB5277	FRAME,ASSY,10"W-12"W,UPPER TILT FRAME,MANUAL TILT,	1	\$396.9	\$1012.1	
B1	NUTNYLK1026	NUT, NYLOCK,BLACK ZINC,5/16-18	2	\$1.29	\$3.28	
B2	BLTASHL1098	BOLT,SHOULDER,8MM X 35MM,GRADE 10.9	1	\$1.1	\$2.81	
B3	BLTASHL1099	BOLT,SHOULDER,10MM X 30MM,GRADE 10.9	1	\$1.1	\$2.81	
B4	NUTNYLK1019	NUT, NYLOCK,BLACK ZINC,M6-1.0	3	N/A	N/A	
B5	WASSTND1002	WASHER,FLAT,BLACK ZINC,0.3125" ID X 0.6875" OD X 0.0625" TH	4	\$1.18	\$3.01	
B6	NUTNYLK1011	NUT, NYLOCK,BLACK ZINC,M8-1.25	1	\$1.16	\$2.96	
B7	BLTASHL1100	BOLT,SHOULDER,8MM X 45MM,GRADE 10.9	2	\$1.1	\$2.81	
B8	BLTASHL1102	BOLT,SHOULDER,3/8" X 0.875"	2	\$1.1	\$2.81	
B9	WASSAE1006	WASHER,FLAT,ZINC,3/8,0.4062" ID X 0.8125" OD X 0.0625" TH,SAE	2	\$1.23	\$3.15	
C1 - C3	FRMASMB5280	FRAME,ASSY,BASE,PEDIATRIC SYNERGY TILT,W/LANDING PADS	1	N/A	N/A	
C1	DWR1330E024	FRAME,BASE WELDMENT,PEDIATRIC SYNERGY TILT,E-1330-024	1	N/A	N/A	
C2	PROBUMP1026	BUMPER,BLACK,RUBBER,0.875" ID X 0.3125"-0.1875" COUNTER BORE ID X 0.62	2	\$1.1	\$2.81	
C3	SCRPPH1045	SCREW,PPH,ZINC,8-32 X 0.50"	2	\$1.1	\$2.81	
D1 - D5	FRMASMB5271	FRAME,ASSY,UPPER SUB FRAME,PEDIATRIC SYNERGY TILT	1	N/A	N/A	
D1	DWR1330E025	FRAME,UPPER TILT WELDMENT,PEDIATRIC SYNERGY TILT	1	N/A	N/A	
D2	DWR1330C023	EXTENSION BAR WELDMENT,10"-12" WIDTH ADJUSTMENT	4	N/A	N/A	
D3	BRGFLNG1021	BEARING,FLANGE,0.375" ID X 0.50" OD X 0.50"TH X 0.6875"FOD X 0.62	2	N/A	N/A	
D4	SCRSETS1086	SCREW,SET,BLACK ZINC,10-32 X 0.125",CUP POINT W/PATCH	4	\$1.1	\$2.81	
D5	SCRSHCS1156	SCREW, SHCS,BLACK ZINC,5/16-24 X 1.00",W/NYLON PATCH	4	\$1.16	\$2.95	
E1 - E3	FRMASMB5276	LOCKING GAS SPRING,ASSY,265MM EXT L, 60MM STROKE, 200N,W/CAST RELEASE MECHANISM,C-1330-028	1	N/A	N/A	
E1	DWR1330C027	ACTUATOR,LOCKING GAS SPRING,C-1330-027,(STABILUS: 682829)	1	N/A	N/A	
E2	DWR1330C011	RELEASE HEAD,CAST,LOCKING GAS SPRING	1	N/A	N/A	
E3	DWR1330C012	RELEASE LEVER,CAST,LOCKING GAS SPRING	1	N/A	N/A	
F1 - F3	FRMASMB3968	LOCKING GAS SPRING W/CAST RELEASE MECHANISM,ASSY,232MM EXT L,52MM STROKE,330N,C-1330-009	1	N/A	N/A	
F1	DWR1330C012	RELEASE LEVER,CAST,LOCKING GAS SPRING	1	N/A	N/A	
F2	DWR1330C013	ACTUATOR,LOCKING GAS SPRING W/M10-1.0 JAM NUT	1	N/A	N/A	
F3	DWR1330C011	RELEASE HEAD,CAST,LOCKING GAS SPRING	1	N/A	N/A	



XI. Manual Tilt Assembly — Upper. 12"-14" Width



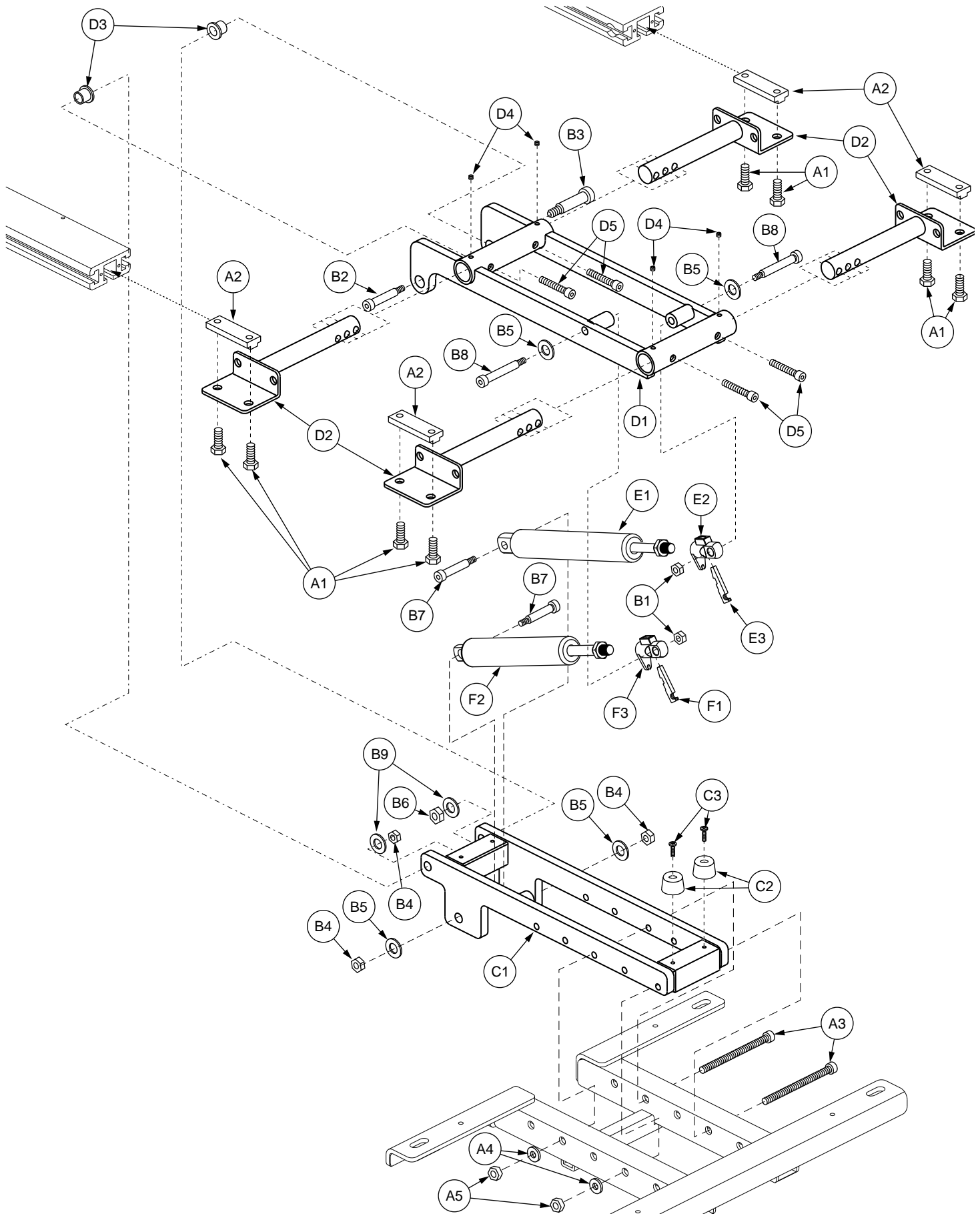
REF #	PART #	DESCRIPTION	QTY	Dealer \$	MSRP	11i
A1	SCRHHCS1156	SCREW,HHCS,BLACK ZINC,5/16-18 X 0.75",GRADE 8	8	\$1.16	\$2.95	
A2	DWR1360B018	T-NUT,BLACK,5/16-18 X 2.25",W/1.75",HOLE SPACING,B-1360-018	4	\$3.47	\$8.86	
A3	SCRSHCS1148	SCREW,SHCS,BLACK ZINC,5/16-18 X 6.50",PARTIAL THREAD	2	\$1.1	\$2.81	
A4	WASSTND1006	WASHER, FLAT,BLACK ZINC,3/8"ID X 3/4"OD X 1/16"T	2	\$1.1	\$2.81	
A5	NUTNYLK1026	NUT, NYLOCK,BLACK ZINC,5/16-18	2	\$1.29	\$3.28	
B1 - F3	FRMASMB5278	FRAME,ASSY,12"W-14"W,UPPER TILT FRAME,MANUAL TILT	1	\$396.9	\$1012.1	
B1	NUTNYLK1026	NUT, NYLOCK,BLACK ZINC,5/16-18	2	\$1.29	\$3.28	
B2	BLTASHL1098	BOLT,SHOULDER,8MM X 35MM,GRADE 10.9	1	\$1.1	\$2.81	
B3	BLTASHL1099	BOLT,SHOULDER,10MM X 30MM,GRADE 10.9	1	\$1.1	\$2.81	
B4	NUTNYLK1019	NUT, NYLOCK,BLACK ZINC,M6-1.0	3	N/A	N/A	
B5	WASSTND1002	WASHER,FLAT,BLACK ZINC,0.3125" ID X 0.6875" OD X 0.0625" TH	4	\$1.18	\$3.01	
B6	NUTNYLK1011	NUT, NYLOCK,BLACK ZINC,M8-1.25	1	\$1.16	\$2.96	
B7	BLTASHL1100	BOLT,SHOULDER,8MM X 45MM,GRADE 10.9	2	\$1.1	\$2.81	
B8	BLTASHL1102	BOLT,SHOULDER,3/8" X 0.875"	2	\$1.1	\$2.81	
B9	WASSAE1006	WASHER,FLAT,ZINC,3/8,0.4062" ID X 0.8125" OD X 0.0625" TH,SAE	2	\$1.23	\$3.15	
C1 - C3	FRMASMB5280	FRAME,ASSY,BASE,PEDIATRIC SYNERGY TILT,W/LANDING PADS	1	N/A	N/A	
C1	DWR1330E024	FRAME,BASE WELDMENT,PEDIATRIC SYNERGY TILT,E-1330-024	1	N/A	N/A	
C2	PROBUMP1026	BUMPER,BLACK,RUBBER,0.875" ID X 0.3125"-0.1875" COUNTER BORE ID X 0.62	2	\$1.1	\$2.81	
C3	SCRPPH1045	SCREW,PPH,ZINC,8-32 X 0.50"	2	\$1.1	\$2.81	
D1 - D5	FRMASMB5272	FRAME,ASSY,UPPER SUB FRAME,PEDIATRIC SYNERGY TILT	1	N/A	N/A	
D1	DWR1330E025	FRAME,UPPER TILT WELDMENT,PEDIATRIC SYNERGY TILT	1	N/A	N/A	
D2	DWR1330C024	EXTENSION BAR WELDMENT,12"-14" WIDTH ADJUSTMENT	4	N/A	N/A	
D3	BRGFLNG1021	BEARING,FLANGE,0.375"ID X 0.50"OD X 0.50"TH X 0.6875"FOD X 0.62	2	N/A	N/A	
D4	SCRSETS1086	SCREW,SET,BLACK ZINC,10-32 X 0.125",CUP POINT W/PATCH	4	\$1.1	\$2.81	
D5	SCRSHCS1156	SCREW, SHCS,BLACK ZINC,5/16-24 X 1.00",W/NYLON PATCH	4	\$1.16	\$2.95	
E1 - E3	FRMASMB5276	LOCKING GAS SPRING,ASSY,265MM EXT L, 60MM STROKE, 200N,W/CAST RELEASE MECHANISM,C-1330-028	1	N/A	N/A	
E1	DWR1330C027	ACTUATOR,LOCKING GAS SPRING,C-1330-027,(STABILUS: 682829)	1	N/A	N/A	
E2	DWR1330C011	RELEASE HEAD,CAST,LOCKING GAS SPRING	1	N/A	N/A	
E3	DWR1330C012	RELEASE LEVER,CAST,LOCKING GAS SPRING	1	N/A	N/A	
F1 - F3	FRMASMB3968	LOCKING GAS SPRING W/CAST RELEASE MECHANISM,ASSY,232MM EXT L,52MM STROKE,330N,C-1330-009	1	N/A	N/A	
F1	DWR1330C012	RELEASE LEVER,CAST,LOCKING GAS SPRING	1	N/A	N/A	
F2	DWR1330C013	ACTUATOR,LOCKING GAS SPRING W/M10-1.0 JAM NUT	1	N/A	N/A	
F3	DWR1330C011	RELEASE HEAD,CAST,LOCKING GAS SPRING	1	N/A	N/A	



XI. Manual Tilt Assembly — Upper. 14”-16” Width



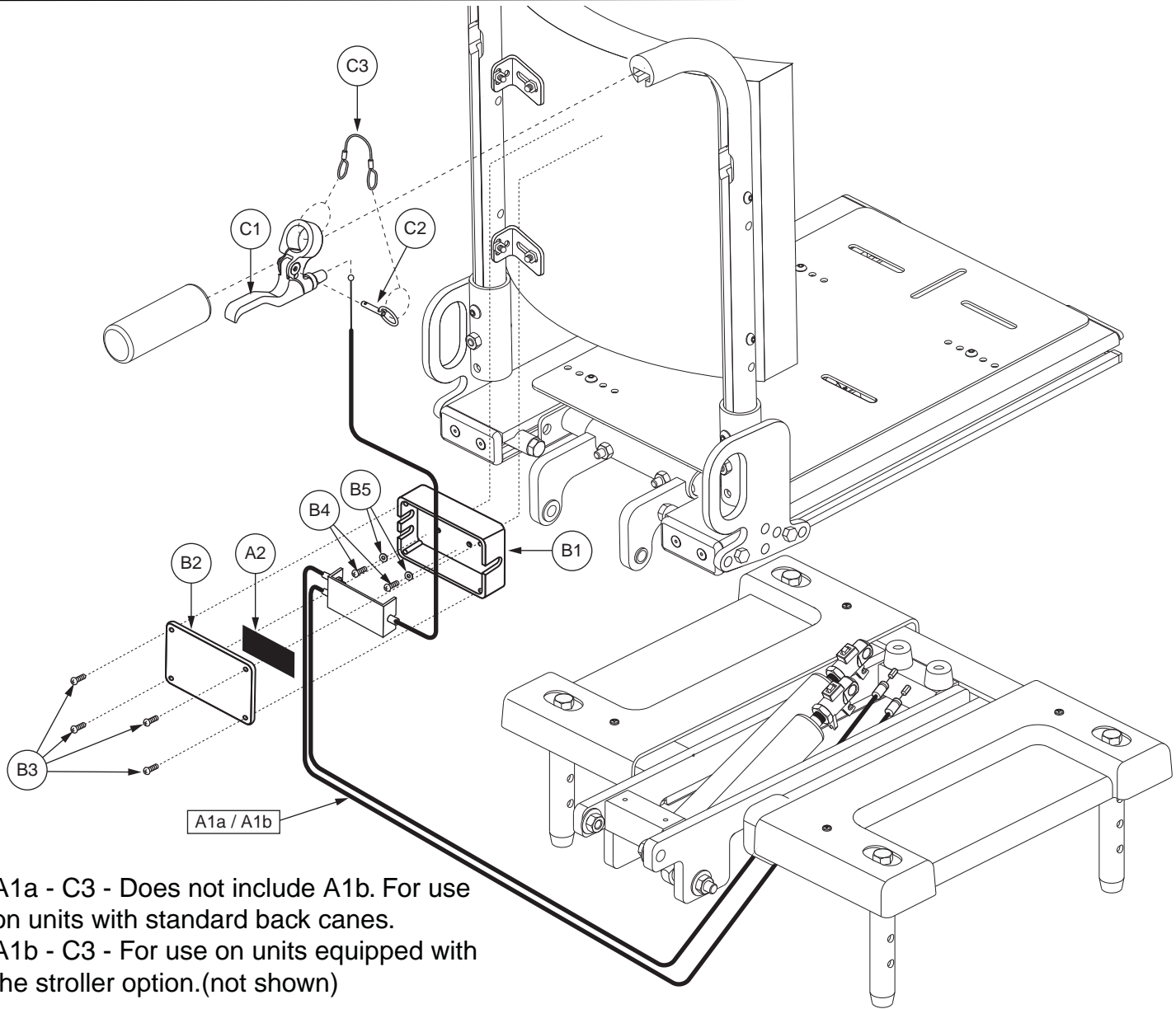
REF #	PART #	DESCRIPTION	QTY	Dealer \$	MSRP	11i
A1	SCRHHCS1156	SCREW,HHCS,BLACK ZINC,5/16-18 X 0.75",GRADE 8	8	\$1.16	\$2.95	
A2	DWR1360B018	T-NUT,BLACK,5/16-18 X 2.25",W/1.75",HOLE SPACING,B-1360-018	4	\$3.47	\$8.86	
A3	SCRSHCS1148	SCREW,SHCS,BLACK ZINC,5/16-18 X 6.50",PARTIAL THREAD	2	\$1.1	\$2.81	
A4	WASSTND1006	WASHER, FLAT,BLACK ZINC,3/8"ID X 3/4"OD X 1/16"T	2	\$1.1	\$2.81	
A5	NUTNYLK1026	NUT, NYLOCK,BLACK ZINC,5/16-18	2	\$1.29	\$3.28	
B1 - F3	FRMASMB5279	FRAME,ASSY,14"W-16"W,UPPER TILT FRAME,MANUAL TILT	1	\$396.9	\$1012.1	
B1	NUTNYLK1026	NUT, NYLOCK,BLACK ZINC,5/16-18	2	\$1.29	\$3.28	
B2	BLTASHL1098	BOLT,SHOULDER,8MM X 35MM,GRADE 10.9	1	\$1.1	\$2.81	
B3	BLTASHL1099	BOLT,SHOULDER,10MM X 30MM,GRADE 10.9	1	\$1.1	\$2.81	
B4	NUTNYLK1019	NUT, NYLOCK,BLACK ZINC,M6-1.0	3	N/A	N/A	
B5	WASSTND1002	WASHER,FLAT,BLACK ZINC,0.3125" ID X 0.6875" OD X 0.0625" TH	4	\$1.18	\$3.01	
B6	NUTNYLK1011	NUT, NYLOCK,BLACK ZINC,M8-1.25	1	\$1.16	\$2.96	
B7	BLTASHL1100	BOLT,SHOULDER,8MM X 45MM,GRADE 10.9	2	\$1.1	\$2.81	
B8	BLTASHL1102	BOLT,SHOULDER,3/8" X 0.875"	2	\$1.1	\$2.81	
B9	WASSAE1006	WASHER,FLAT,ZINC,3/8,0.4062" ID X 0.8125" OD X 0.0625" TH,SAE	2	\$1.23	\$3.15	
C1 - C3	FRMASMB5280	FRAME,ASSY,BASE,PEDIATRIC SYNERGY TILT,W/LANDING PADS	1	N/A	N/A	
C1	DWR1330E024	FRAME,BASE WELDMENT,PEDIATRIC SYNERGY TILT,E-1330-024	1	N/A	N/A	
C2	PROBUMP1026	BUMPER,BLACK,RUBBER,0.875" ID X 0.3125"-0.1875" COUNTER BORE ID X 0.62	2	\$1.1	\$2.81	
C3	SCRPPH1045	SCREW,PPH,ZINC,8-32 X 0.50"	2	\$1.1	\$2.81	
D1 - D5	FRMASMB5273	FRAME,ASSY,UPPER SUB FRAME,PEDIATRIC SYNERGY TILT	1	N/A	N/A	
D1	DWR1330E025	FRAME,UPPER TILT WELDMENT,PEDIATRIC SYNERGY TILT	1	N/A	N/A	
D2	DWR1330C025	EXTENSION BAR WELDMENT,14"-16" WIDTH ADJUSTMENT	4	N/A	N/A	
D3	BRGFLNG1021	BEARING,FLANGE,0.375" ID X 0.50" OD X 0.50"TH X 0.6875"FOD X 0.62	2	N/A	N/A	
D4	SCRSETS1086	SCREW, SET,BLACK ZINC,10-32 X 0.125",CUP POINT W/PATCH	4	\$1.1	\$2.81	
D5	SCRSHCS1156	SCREW, SHCS,BLACK ZINC,5/16-24 X 1.00",W/NYLON PATCH	4	\$1.16	\$2.95	
E1 - E3	FRMASMB5276	LOCKING GAS SPRING,ASSY,265MM EXT L, 60MM STROKE, 200N,W/CAST RELEASE MECHANISM,C-1330-028	1	N/A	N/A	
E1	DWR1330C027	ACTUATOR,LOCKING GAS SPRING,C-1330-027,(STABILUS: 682829)	1	N/A	N/A	
E2	DWR1330C011	RELEASE HEAD,CAST,LOCKING GAS SPRING	1	N/A	N/A	
E3	DWR1330C012	RELEASE LEVER,CAST,LOCKING GAS SPRING	1	N/A	N/A	
F1 - F3	FRMASMB3968	LOCKING GAS SPRING W/CAST RELEASE MECHANISM,ASSY,232MM EXT L,52MM STROKE,330N,C-1330-009	1	N/A	N/A	
F1	DWR1330C012	RELEASE LEVER,CAST,LOCKING GAS SPRING	1	N/A	N/A	
F2	DWR1330C013	ACTUATOR,LOCKING GAS SPRING W/M10-1.0 JAM NUT	1	N/A	N/A	
F3	DWR1330C011	RELEASE HEAD,CAST,LOCKING GAS SPRING	1	N/A	N/A	



XI. Manual Tilt Assembly — Upper. 16"-18" Width

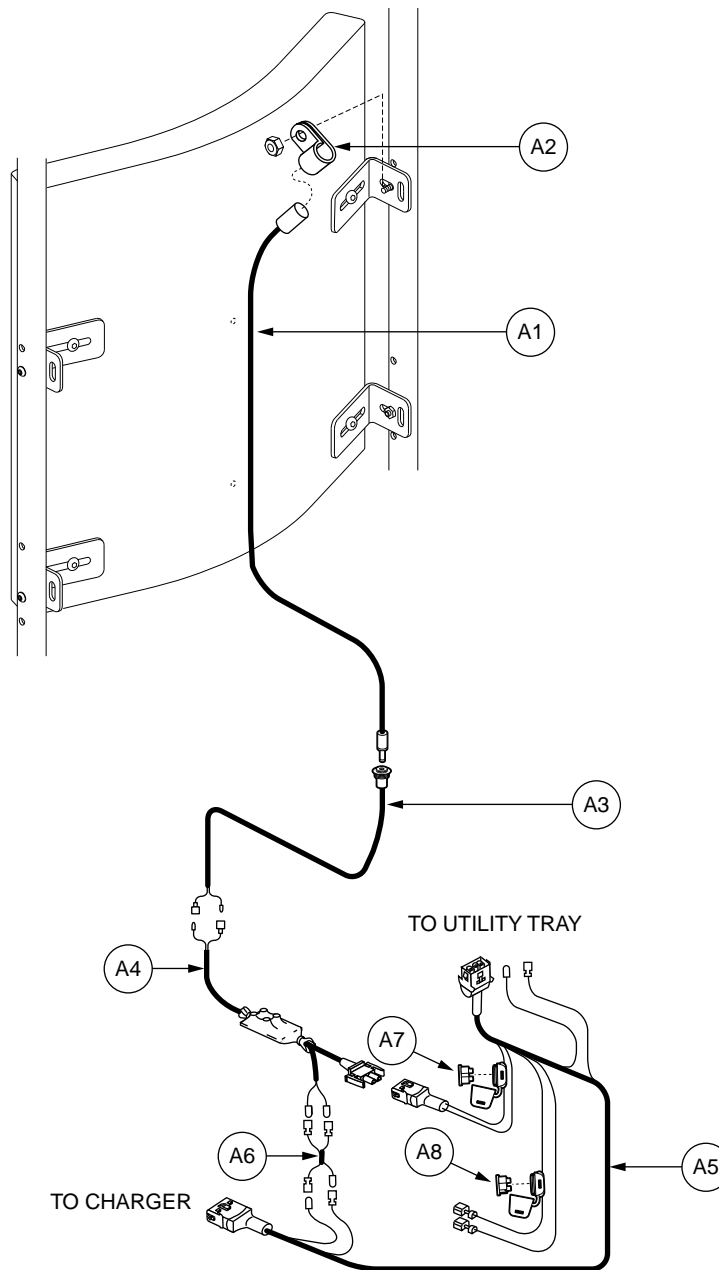


REF #	PART #	DESCRIPTION	QTY	Dealer \$	MSRP	11i
A1	SCRHHCS1156	SCREW,HHCS,BLACK ZINC,5/16-18 X 0.75",GRADE 8	8	\$1.16	\$2.95	
A2	DWR1360B018	T-NUT,BLACK,5/16-18 X 2.25",W/1.75",HOLE SPACING,B-1360-018	4	\$3.47	\$8.86	
A3	SCRSHCS1148	SCREW,SHCS,BLACK ZINC,5/16-18 X 6.50",PARTIAL THREAD	2	\$1.1	\$2.81	
A4	WASSTND1006	WASHER, FLAT,BLACK ZINC,3/8"ID X 3/4"OD X 1/16"T	2	\$1.1	\$2.81	
A5	NUTNYLK1026	NUT, NYLOCK,BLACK ZINC,5/16-18	2	\$1.29	\$3.28	
B1 - F3	FRMASMB8074	FRAME,ASSY,16"W-18"W,UPPER TILT FRAME,MANUAL TILT	1	\$396.9	\$1012.1	
B1	NUTNYLK1026	NUT, NYLOCK,BLACK ZINC,5/16-18	2	\$1.29	\$3.28	
B2	BLTASHL1098	BOLT,SHOULDER,8MM X 35MM,GRADE 10.9	1	\$1.1	\$2.81	
B3	BLTASHL1099	BOLT,SHOULDER,10MM X 30MM,GRADE 10.9	1	\$1.1	\$2.81	
B4	NUTNYLK1019	NUT,NYLOCK,BLACK ZINC,M6-1.0	3	N/A	N/A	
B5	WASSTND1002	WASHER,FLAT,BLACK ZINC,0.3125" ID X 0.6875" OD X 0.0625" TH	4	\$1.18	\$3.01	
B6	NUTNYLK1011	NUT, NYLOCK,BLACK ZINC,M8-1.25	1	\$1.16	\$2.96	
B7	BLTASHL1100	BOLT,SHOULDER,8MM X 45MM,GRADE 10.9	2	\$1.1	\$2.81	
B8	BLTASHL1102	BOLT,SHOULDER,3/8" X 0.875"	2	\$1.1	\$2.81	
B9	WASSTND1071	WASHER,FLAT,BLACK ZINC,0.4062"ID X 0.8125"OD X 0.0625" TH,3/8"	2	\$1.1	\$2.81	
C1 - C3	FRMASMB5280	FRAME,ASSY,BASE,MANUAL TILT,W/LANDING PADS	1	N/A	N/A	
C1	DWR1330E024	FRAME,BASE WELDMENT,PEDIATRIC SYNERGY TILT,E-1330-024	1	N/A	N/A	
C2	PROBUMP1026	BUMPER,BLACK,RUBBER,0.875" ID X 0.3125"-0.1875" COUNTER BORE ID X 0.62	2	\$1.1	\$2.81	
C3	SCRPPH1045	SCREW,PPH,ZINC,8-32 X 0.50"	2	\$1.1	\$2.81	
D1 - D5	FRMASMB8072	FRAME,ASSY,UPPER SUB FRAME,16"W-18"W,MANUAL TILT	1	N/A	N/A	
D1	DWR1330E025	FRAME,UPPER TILT WELDMENT,PEDIATRIC SYNERGY TILT	1	N/A	N/A	
D2	DWR1330D019	EXTENSION BAR WELDMENT,16"-18" WIDTH ADJUSTMENT	4	N/A	N/A	
D3	BRGFLNG1021	BEARING,FLANGE,0.375" ID X 0.50" OD X 0.50"TH X 0.6875"FOD X 0.62	2	N/A	N/A	
D4	SCRSETS1086	SCREW,SET,BLACK ZINC,10-32 X 0.125",CUP POINT W/PATCH	4	\$1.1	\$2.81	
D5	SCRSHCS1156	SCREW, SHCS,BLACK ZINC,5/16-24 X 1.00",W/NYLON PATCH	4	\$1.16	\$2.95	
E1 - E3	FRMASMB5276	LOCKING GAS SPRING,ASSY,265MM EXT L, 60MM STROKE, 200N,W/CAST RELEASE MECHANISM,C-1330-028	1	N/A	N/A	
E1	DWR1330C027	ACTUATOR,LOCKING GAS SPRING,C-1330-027,(STABILUS: 682829)	1	N/A	N/A	
E2	DWR1330C011	RELEASE HEAD,CAST,LOCKING GAS SPRING	1	N/A	N/A	
E3	DWR1330C012	RELEASE LEVER,CAST,LOCKING GAS SPRING	1	N/A	N/A	
F1 - F3	FRMASMB3968	LOCKING GAS SPRING W/CAST RELEASE MECHANISM,ASSY,232MM EXT L,52MM STROKE,330N,C-1330-009	1	N/A	N/A	
F1	DWR1330C012	RELEASE LEVER,CAST,LOCKING GAS SPRING	1	N/A	N/A	
F2	DWR1330C013	ACTUATOR,LOCKING GAS SPRING W/M10-1.0 JAM NUT	1	N/A	N/A	
F3	DWR1330C011	RELEASE HEAD,CAST,LOCKING GAS SPRING	1	N/A	N/A	

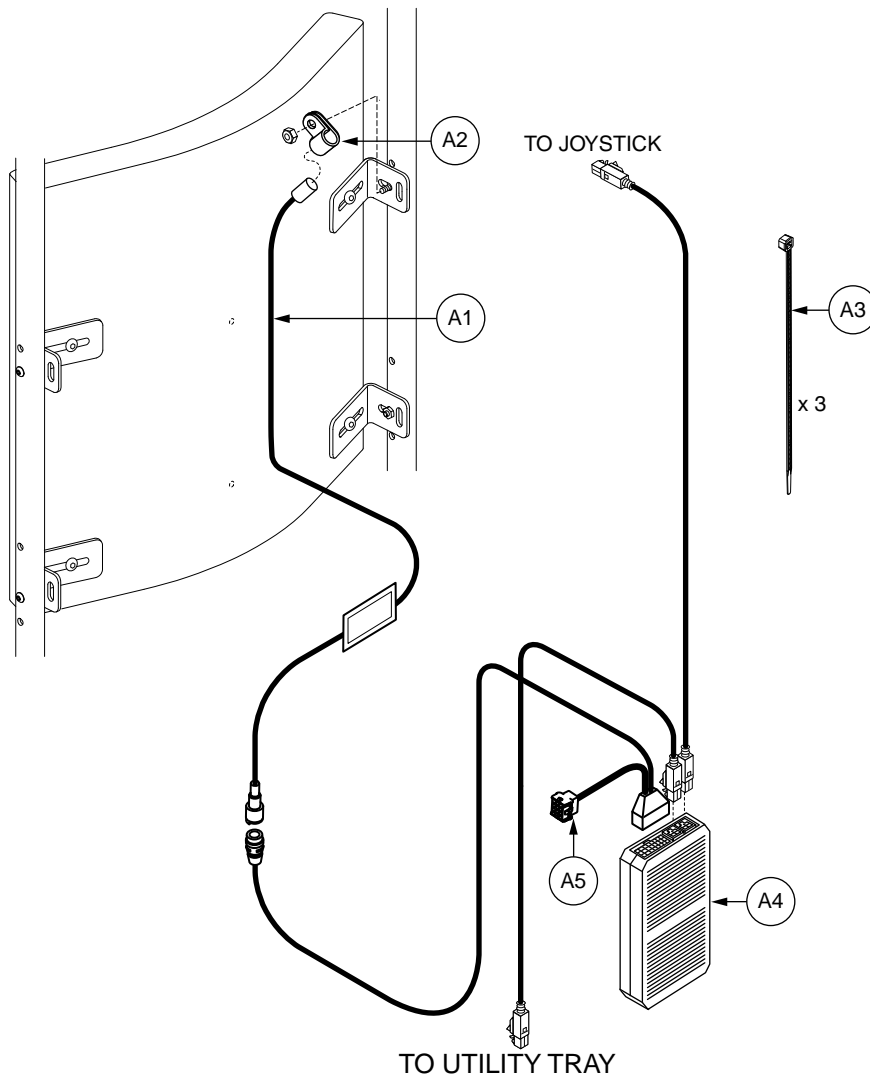


A1a - C3 - Does not include A1b. For use on units with standard back canes.
 A1b - C3 - For use on units equipped with the stroller option.(not shown)

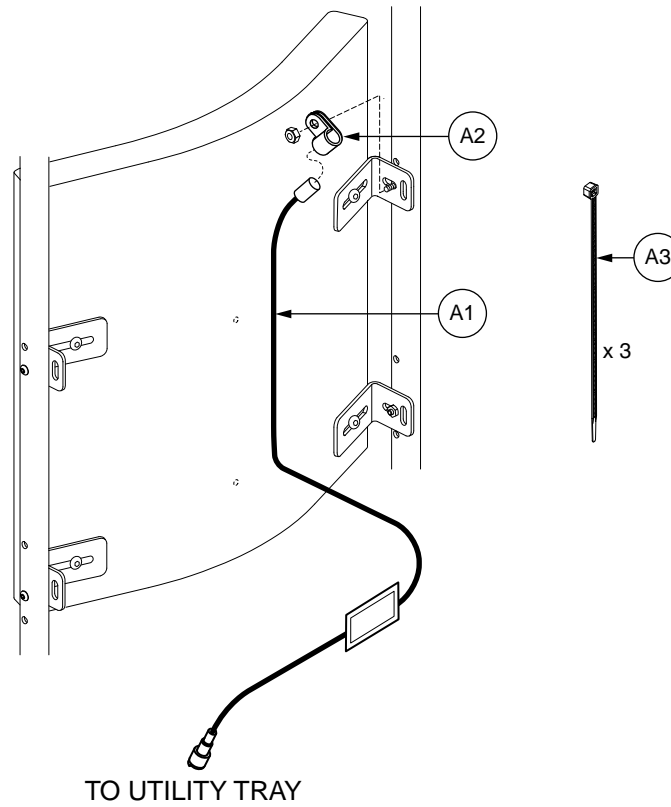
REF #	PART #	DESCRIPTION	QTY	Dealer \$	MSRP	11i
A1a - C3	FRMASMB5383	CABLE,ASSY,LEVER,45"L,SYNERGY MANUAL TILT	1	N/A	N/A	
A1b - C3	FRMASMB5382	CABLE,ASSY,LEVER,55"L,SYNERGY MANUAL TILT	1	N/A	N/A	
A1a	DWR1330E032	CABLE,SYNERGY MANUAL TILT,45"L,E-1330-032	1	N/A	N/A	
A1b	DWR1330E033	CABLE,SYNERGY MANUAL TILT,55"L,E-1330-033	1	N/A	N/A	
A2	VELSGAD1009	REUSABLE FASTENER,2" X 4"	1	\$1.1	\$2.81	
B1 - B5	PLSASMB1581	ELECTRONIC,ASSY,POLYCASE BOX	1	\$8.82	\$22.49	
B1	PLSINDV1172	ELECTRONIC,POLYCASE BOX,4.165"L X 2.80"W X 1.00"H X 0.90"ID	1	N/A	N/A	
B2	PLSINDV1173	ELECTRONIC,POLYCASE LID,4.165"L X 2.80"W	1	N/A	N/A	
B3	SCRPFH1028	SCREW, PFH,BLACK ZINC,#4 X 1/2",SELF TAPPING	4	\$1.1	\$2.81	
B4	SCRPTH1012	SCREW,PTH,#10 X 0.625",SELF-TAP	2	\$1.16	\$2.95	
B5	WASSAE1003	WASHER,FLAT,BLACK ZINC,1/4,.281"ID X .625"OD X .0625"TH	2	\$1.26	\$3.23	
C1 - C3	FRMASMB5381	LEVER,ASSY,W/LANYARD & PIN,C-1330-033	1	\$7.72	\$19.68	
C1	DWR1330D005	LEVER,BRAKE,2 FINGER RELEASE,RIGHT	1	N/A	N/A	
C2	PINCOTD1017	COTTERLESS DETENT PIN,0.1875" DIA X 0.750",W/RING	1	N/A	N/A	
C3	LANWIRE1002	LANYARD WIRE,5.5"L,W/ LOOPED ENDS	1	N/A	N/A	



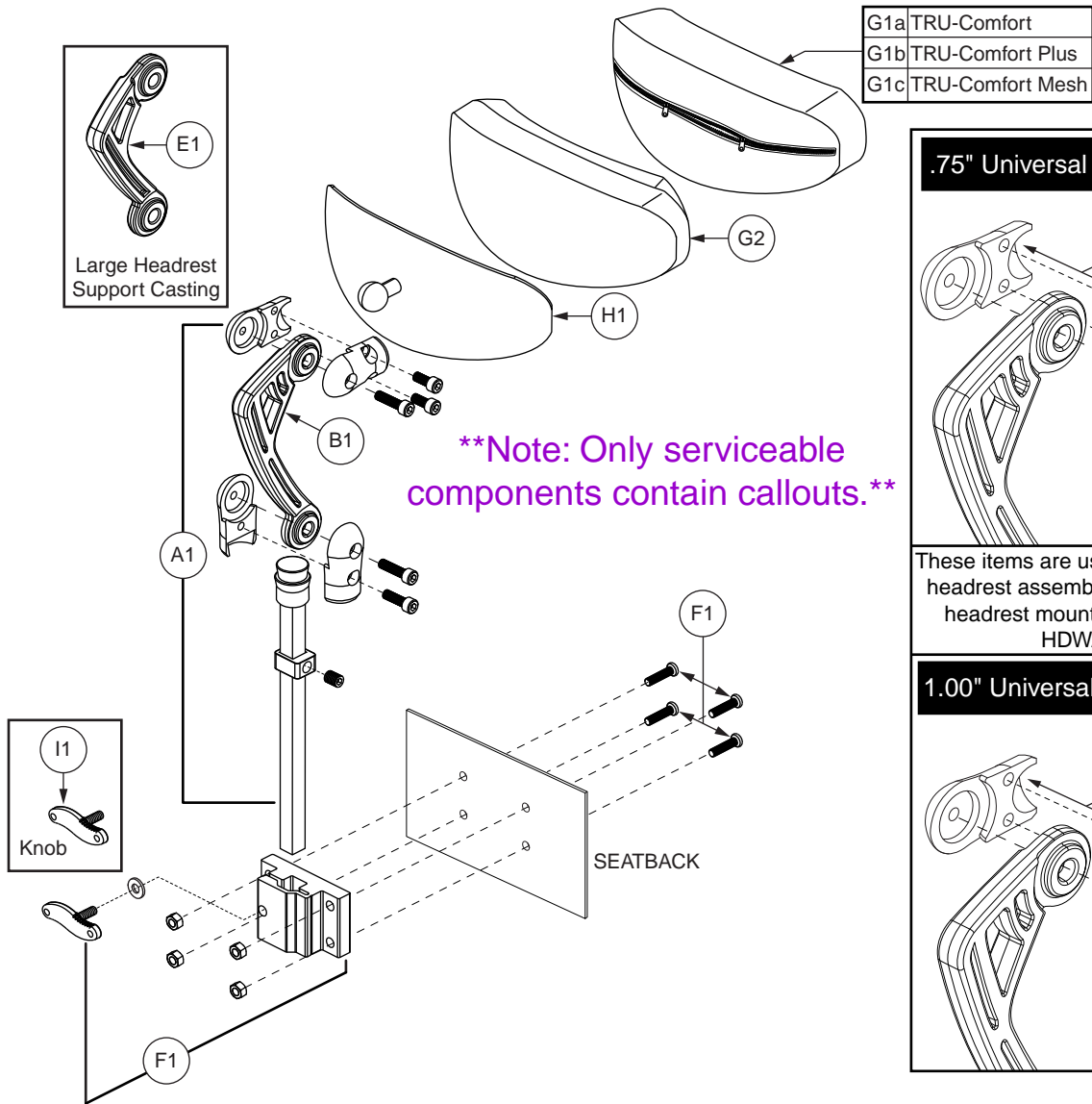
REF #	PART #	DESCRIPTION	QTY	Dealer \$	11i MSRP
A1	DWR1010H034	ELECTRONIC,MERCURY SWITCH W/HARNESS,RECLINE INHIBIT DELAY,H-1010-034	1	\$41.67	\$106.27
A2	CLPCBLC1013	CABLE CLAMP,STEEL,3/4"D,RUBBER COATED	1	\$1.1	\$2.81
A3	HARUSHD2284	COAXIAL JACK CABLE	1	N/A	N/A
A4	DWR1010H031	ELECTRONIC,HARNESS,RECLINE INHIBIT DELAY, PILOT/REMOTE PLUS,H-1010-031	1	N/A	N/A
A5	DWR1010H032	ELECTRONIC,HARNESS,CHARGER/POWER TAKE OVER(PTO),W/INLINE ATO FUSES,10AMP & 2AMP,H-1010-032	1	N/A	N/A
A6	DWR1010H036	ELECTRONIC,HARNESS,VERSA TILT INHIBIT ADAPTOR	1	N/A	N/A
A7	ELEFUSE1016	ELECTRONIC,FUSE,15 AMP,ATO	1	\$1.14	\$2.91
A8	ELEFUSE1008	ELECTRONIC,FUSE,ATO,MINI,2AMP,(297002)	1	\$1.16	\$2.95



REF #	PART #	DESCRIPTION	QTY	Dealer \$	MSRP	11i
A1 - A5	ELEASMB4430	ELECTRONIC, ASSY, EUROPA, MERCURY SWITCH/INHIBIT BOX, SYNERGY MANUAL RECLINE/TILT	1	\$531.41	\$1355.08	
A1	ELE142519	HARNESS, COMBINATION, INHIBIT, MANUAL TILT, ROHS	1	\$396.9	\$1012.1	
A2	CLPCBLC1025	CLAMP, CABLE, STEEL, 0.50" DIA, RUBBER COATED	1	\$1.16	\$2.95	
A3	PLSTIE1004	TIE WRAP, BLACK, 8"	3	\$1.12	\$2.86	
A4	CTLDC1056	CONTROLLER, COMBINED LIGHTING AND ACTUATOR MODULE [CLAM], DYNAMIC	1	N/A	N/A	
A5	DWR1200H129	ELECTRONIC, HARNESS, EURO SEAT, DYNAMIC CLAM/ACTUATOR INTERFACE, H-1200-129	1	\$58.43	\$149	



REF #	PART #	DESCRIPTION	QTY	Dealer \$	11i MSRP
A1 - A3	ELEASMB4354	ELECTRONIC,ASSY,Q-LOGIC/REMOTE PLUS/VSI,MERCURY SWITCH/INHBIT BOX,SYNERGY MANUAL RECLINE/TILT	1	\$128.7	\$328.2
A1	ELE142519	HARNESS,COMBINATION,INHIBIT,MANUAL TILT,ROHS	1	\$396.9	\$1012.1
A2	CLPCBLC1025	CLAMP,CABLE,STEEL,0.50" DIA,RUBBER COATED	1	\$1.16	\$2.95
A3	PLSTIE1004	TIE WRAP,BLACK,8"	3	\$1.12	\$2.86



.75" Universal Headrest Connector

J1

These items are used to mount aftermarket headrest assemblies to the TRU-Comfort headrest mounting bracket assembly, HDWASMB1168.

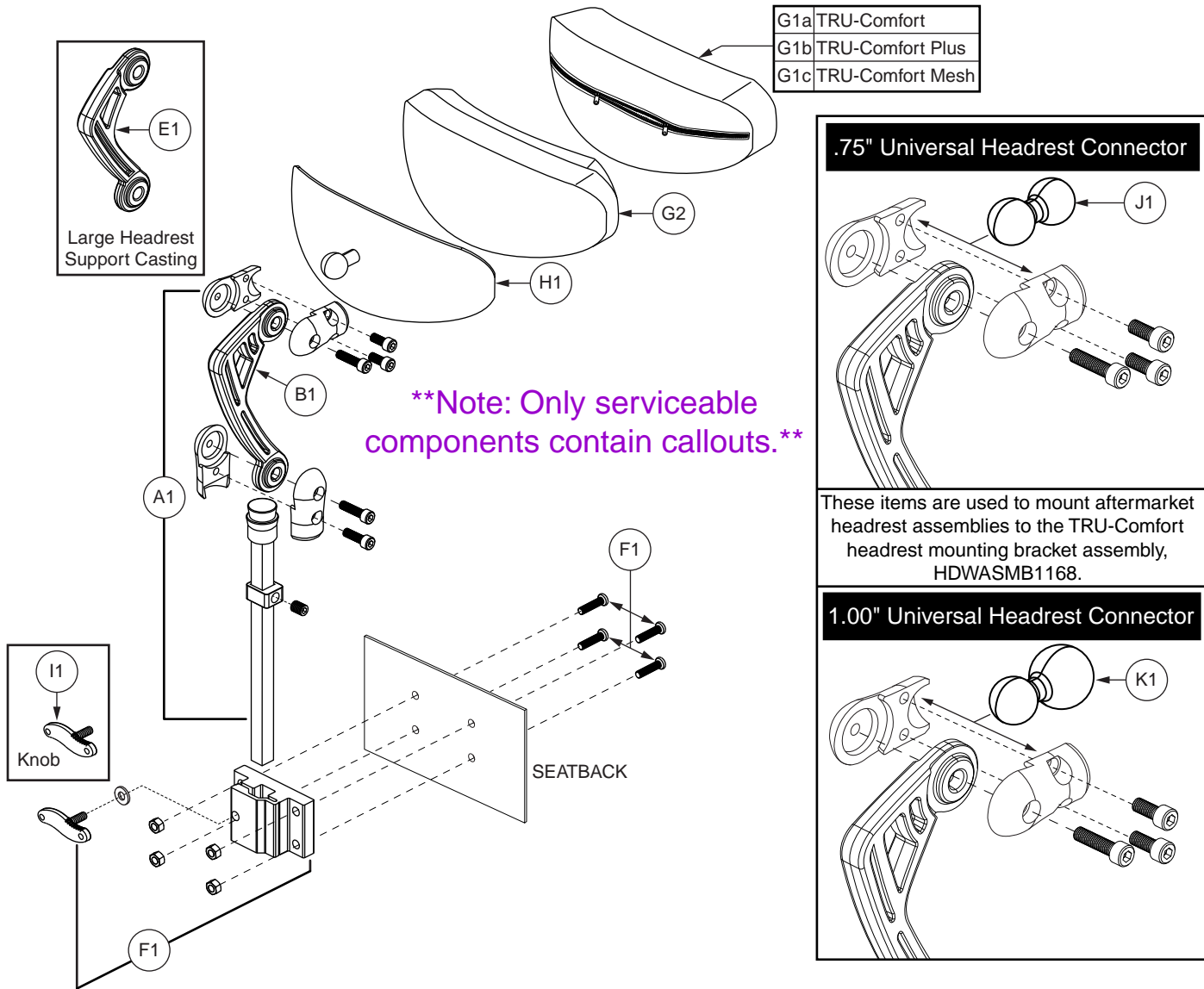
1.00" Universal Headrest Connector

K1

XIII. Headrest Assembly — TRU-Comfort, 8” Medium



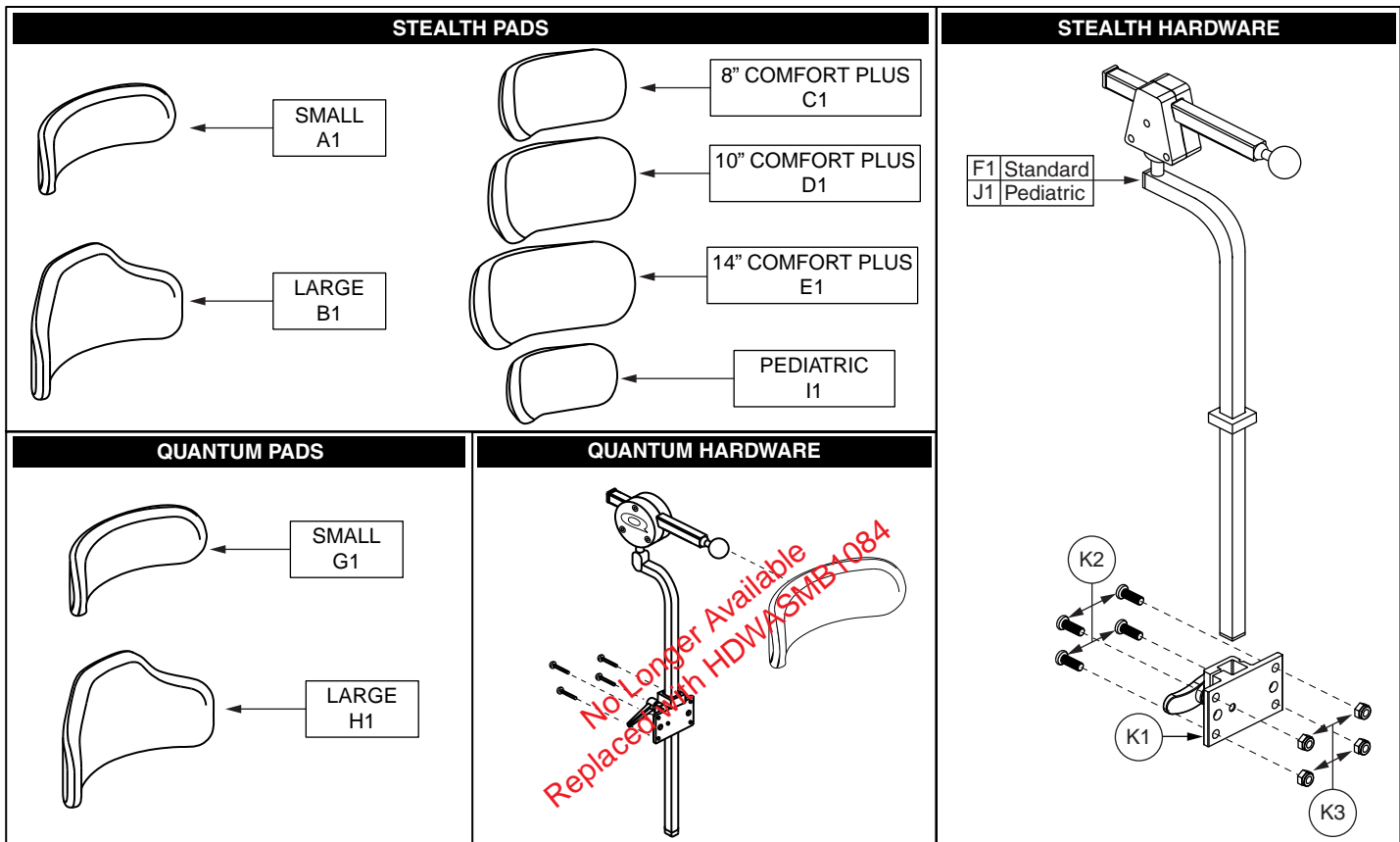
REF #	PART #	DESCRIPTION	QTY	Dealer \$	MSRP	11i
A1	HDWASMB1168	HARDWARE KIT,ASSY,HEADREST MOUNT,TRU-COMFORT,W/REMOVABLE MOUNTING BRACKET	1	\$84	\$214.2	
B1	DWR1010C418	BRACKET,HEADREST SUPPORT CASTING,SMALL,TRU-COMFORT HEADREST,C-1010-418	1	\$14.29	\$36.44	
C1	SET131064	HEADREST BRACKET MOUNTING HARDWARE,ASSY,SYNERGY/TB2	1	\$35.06	\$89.4	
D1a	DWR1040E748	HEADREST COVER,OUTER,VINYL,MEDIUM	1	\$27.15	\$69.23	
D1b	DWR1040E747	HEADREST COVER,OUTER,DRY-TEK,MEDIUM	1	\$30.96	\$78.94	
D1c	CUS131210	HEADREST COVER,OUTER,AIR MESH,MEDIUM,TRU-COMFORT	1	N/A	N/A	
E1	DWR1306C005	HEADREST KNOB,LOW PROFILE,C-1306-005	1	\$1.16	\$2.96	
F1	DWR1010C366	KNOB,UNIVERSAL HEAD BRACE CONNECTOR,0.75",C-1010-366	1	N/A	N/A	
G1	DWR1010C365	KNOB,UNIVERSAL HEAD BRACE CONNECTOR,1.00",C-1010-365	1	\$8.65	\$22.05	



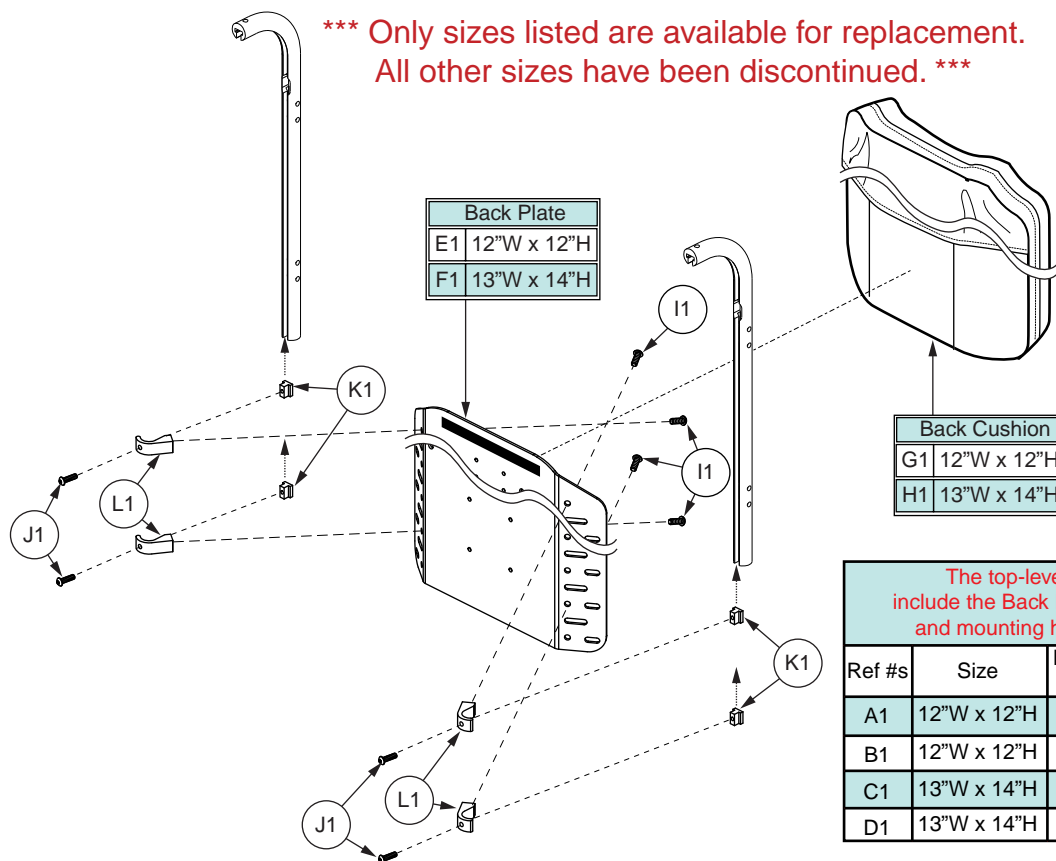
XIII. Headrest Assembly — TRU-Comfort, 10” Medium



REF #	PART #	DESCRIPTION	QTY	Dealer \$	MSRP	11i
A1	HDWASMB1168	HARDWARE KIT,ASSY,HEADREST MOUNT,TRU-COMFORT,W/REMOVABLE MOUNTING BRACKET	1	\$84	\$214.2	
B1	DWR1010C418	BRACKET,HEADREST SUPPORT CASTING,SMALL,TRU-COMFORT HEADREST,C-1010-418	1	\$14.29	\$36.44	
C1	SET131064	HEADREST BRACKET MOUNTING HARDWARE,ASSY,SYNERGY/TB2	1	\$35.06	\$89.4	
D1a	DWR1040E765	HEADREST COVER,OUTER,DRY-TEK,LARGE,TRU-COMFORT	1	N/A	N/A	
D1b	CUS131214	HEADREST COVER,OUTER,AIR MESH,LARGE,TRU-COMFORT	1	N/A	N/A	
E1	DWR1306C005	HEADREST KNOB,LOW PROFILE,C-1306-005	1	\$1.16	\$2.96	
F1	DWR1010C366	KNOB,UNIVERSAL HEAD BRACE CONNECTOR,0.75",C-1010-366	1	N/A	N/A	
G1	DWR1010C365	KNOB,UNIVERSAL HEAD BRACE CONNECTOR,1.00",C-1010-365	1	\$8.65	\$22.05	



REF #	PART #	DESCRIPTION	QTY	Dealer \$	11i MSRP
A1	SETHEAD1052	HEADREST,SMALL,CONTOURED,(STEALTH: STL-OTSM250)	1	\$36	\$60
B1	SETHEAD1053	HEADREST,LARGE,CONTOURED,(STEALTH: STL-OTLG150)	1	\$45	\$75
C1	POS148484	HEADREST,PAD,8",COMFORT PLUS,(STEALTH:CP450)	1	\$85.2	\$142
D1	SETHEAD1057	HEADREST,PAD,10",COMFORT PLUS,(STEALTH: CP250)	1	\$85.2	\$142
E1	INDPART2327	HEADREST,PAD,14",COMFORT PLUS,(STEALTH:CP150)	1	\$85.2	\$142
F1	HDWASMB1084	KIT,QUANTUM REHAB, OFFSET HEADREST,(STEALTH: HMO475P)	1	\$90	\$150
G1	INDPART1914	HEADREST,SMALL,FLAT, VERSA TILT	1	N/A	N/A
H1	INDPART1915	HEADREST,LARGE,FLAT, VERSA TILT	1	N/A	N/A
I1	SETHEAD1069	HEADREST,PEDIATRIC,6"L X 3.75"H,(STEALTH: CPN350)	1	\$85.2	\$142
J1	HDWASMB1166	KIT,QUANTUM REHAB,OFFSET HEADREST,PEDIATRIC,(STEALTH: HMO475P-17)	1	\$90	\$150
K1 - K3	SET150325	HEADREST BRACKET MOUNTING HARDWARE,ASSY,STEALTH,SYNERGY/TRU-BALANCE 2	1	\$19.61	\$50
K1	MEC150070	MOUNTING BRACKET,SEAT BACK MOUNT,(STEALTH:SBM300)	1	N/A	N/A
K2	SCRASBH1152	SCREW,BHSCS,BLACK ZINC,10-32 X 0.625"	4	\$1.12	\$2.86
K3	NUTNYLK1001	NUT,NYLOCK,BLACK ZINC,10-32	4	\$1.16	\$2.96



REF #	PART #	DESCRIPTION	QTY	Dealer \$	MSRP	11i
A1	SETASMB6448	SYNERGY STANDARD BACK,12"W,15"H,W/CUSHION,(12"W X 12"H)	1	\$83.78	\$213.64	
B1	SETASMB6624	SYNERGY STANDARD BACK,12"W,16"H,W/CUSHION,(12"W X 12"H)	1	\$83.78	\$213.64	
C1	SETASMB6460	SYNERGY STANDARD BACK,13"W,17"H,W/CUSHION,(13"W X 14"H)	1	N/A	N/A	
D1	SETASMB6636	SYNERGY STANDARD BACK,13"W,18"H,W/CUSHION,(13"W X 14"H)	1	N/A	N/A	
E1	DWR1359E044C	SEAT BACK,12"W,12"H,SYNERGY STANDARD,E-1359-044	1	\$24.55	\$62.61	
F1	DWR1359E029D	SEAT BACK,13"W,14"H,SYNERGY STANDARD,E-1359-029	1	\$40.56	\$103.44	
G1	CUSASMB2323	CUSHION,ASSY,12"W,12"H,SYNERGY STANDARD BACK,E-1359-084	1	\$64.43	\$164.3	
H1	CUSASMB2335	CUSHION,ASSY,13"W,14"H,SYNERGY STANDARD BACK,E-1359-083	1	\$35.72	\$91.09	
I1	SCRASBH1148	SCREW,BHSCS,BLACK ZINC,1/4-20 X 0.50",W/PATCH	4	\$1.26	\$3.21	
J1	SCRASBH1209	SCREW,BHSCS,BLACK ZINC,1/4-20 X 0.875",GR 8,W/PATCH	4	\$1.12	\$2.86	
K1	DWR1359B003	T-NUT,BLACK,1/4-20 X 0.563",0.50" TH,B-1359-003	4	\$2.92	\$7.45	
L1	DWR1306C024	BACK PLATE BRACKET,T-SLOT,1",C-1306-024	4	\$2.27	\$5.78	

XIV. Seat Cushion — Standard Back, 14" Width



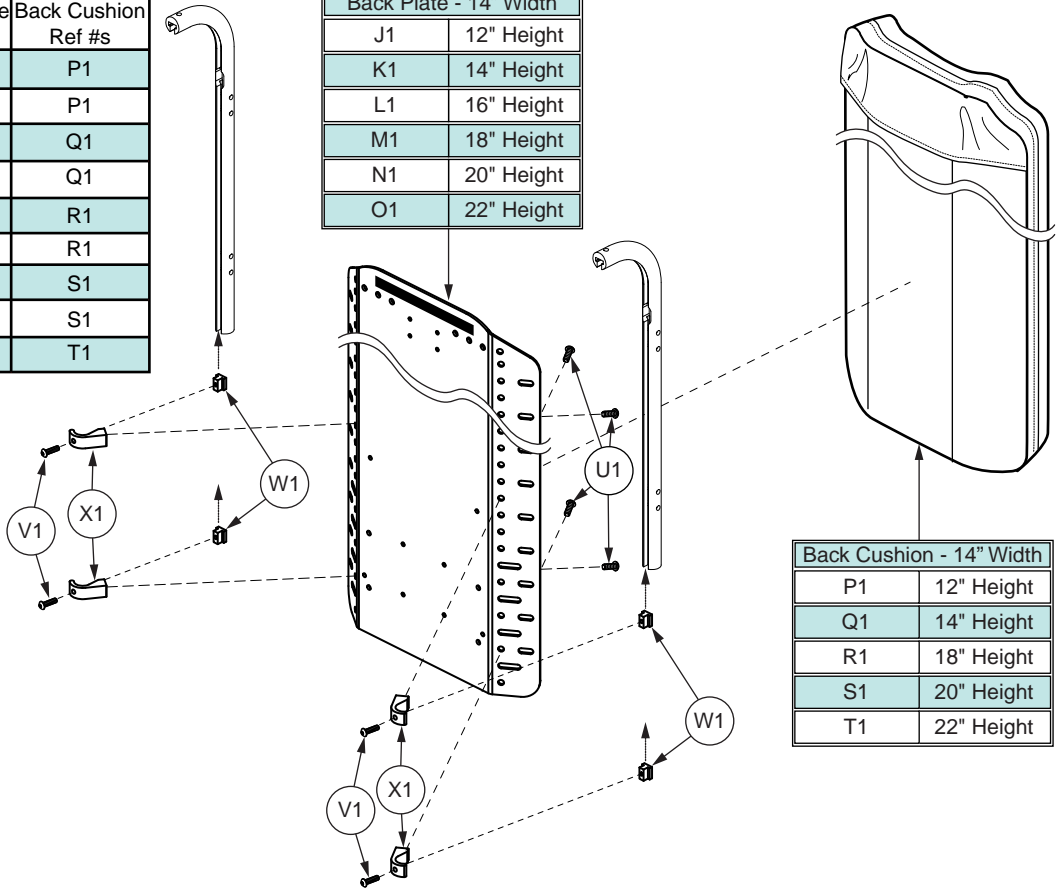
*** Only sizes listed are available for replacement.
All other sizes have been discontinued. ***

The top-level SETASMB's include the Back Plate, Back Cushion and mounting hardware (U1 - X1).

Top-level Ref #s	Size	Back Plate Ref #s	Back Cushion Ref #s
A1	14"W x 12"H	J1	P1
B1	14"W x 12"H	J1	P1
C1	14"W x 14"H	K1	Q1
D1	14"W x 14"H	K1	Q1
E1	14"W x 18"H	M1	R1
F1	14"W x 18"H	M1	R1
G1	14"W x 20"H	N1	S1
H1	14"W x 20"H	N1	S1
I1	14"W x 22"H	O1	T1

Back Plate - 14" Width	
J1	12" Height
K1	14" Height
L1	16" Height
M1	18" Height
N1	20" Height
O1	22" Height

Back Cushion - 14" Width	
P1	12" Height
Q1	14" Height
R1	18" Height
S1	20" Height
T1	22" Height



XIV. Seat Cushion — Standard Back, 14” Width

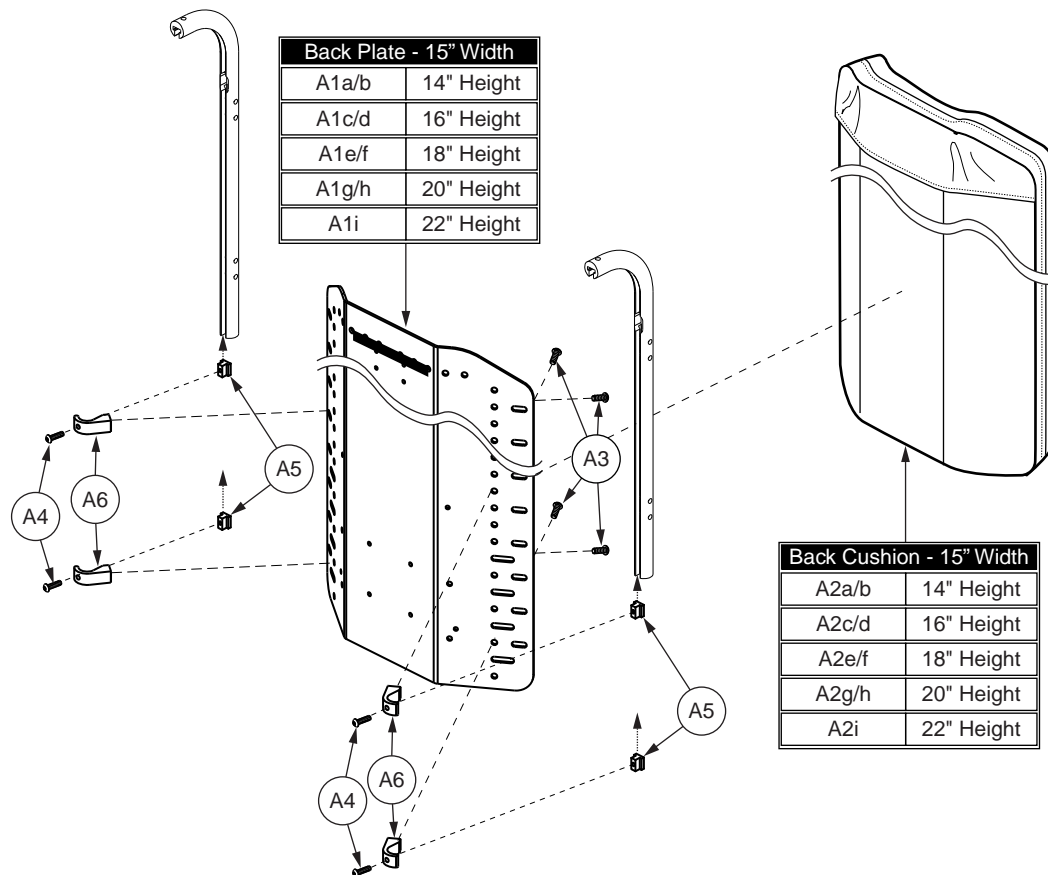


REF #	PART #	DESCRIPTION	QTY	Dealer \$	11i MSRP
A1	SETASMB6449	SYNERGY STANDARD BACK,14"W,15"H,W/CUSHION,(14"W X 12"H)	1	\$84.88	\$216.44
B1	SETASMB6625	SYNERGY STANDARD BACK,14"W,16"H,W/CUSHION,(14"W X 12"H)	1	\$84.88	\$216.44
C1	SETASMB6461	SYNERGY STANDARD BACK,14"W,17"H,W/CUSHION,(14"W X 14"H)	1	\$100.19	\$255.48
D1	SETASMB6637	SYNERGY STANDARD BACK,14"W,18"H,W/CUSHION,(14"W X 14"H)	1	\$100.19	\$255.48
E1	SETASMB6491	SYNERGY STANDARD BACK,14"W,21"H,W/CUSHION,(14"W X 18"H)	1	\$110.09	\$280.73
F1	SETASMB6667	SYNERGY STANDARD BACK,14"W,22"H,W/CUSHION,(14"W X 18"H)	1	\$110.09	\$280.73
G1	SETASMB6510	SYNERGY STANDARD BACK,14"W,23"H,W/CUSHION,(14"W X 20"H)	1	\$113.87	\$290.37
H1	SETASMB6686	SYNERGY STANDARD BACK,14"W,24"H,W/CUSHION,(14"W X 20"H)	1	\$113.87	\$290.37
I1	SETASMB6529	SYNERGY STANDARD BACK,14"W,25"H,W/CUSHION,(14"W X 22"H)	1	\$117.76	\$300.29
J1	DWR1359E044E	SEAT BACK,14"W,12"H,SYNERGY STANDARD,E-1359-044	1	\$26.49	\$67.54
K1	DWR1359E029E	SEAT BACK,14"W,14"H,SYNERGY STANDARD,E-1359-029	1	\$41.17	\$104.99
L1	DWR1359E032E	SEAT BACK,14"W,16"H,SYNERGY STANDARD,E-1359-032	1	\$46.7	\$119.09
M1	DWR1359E034E	SEAT BACK,14"W,18"H,SYNERGY STANDARD,E-1359-034	1	\$48.13	\$122.73
N1	DWR1359E036E	SEAT BACK,14"W,20"H,SYNERGY STANDARD,E-1359-036	1	\$49.53	\$126.3
O1	DWR1359E045E	SEAT BACK,14"W,22"H,SYNERGY STANDARD,E-1359-045	1	\$51.04	\$130.16
P1	CUSASMB2324	CUSHION,ASSY,14"W,12"H,SYNERGY STANDARD BACK,E-1359-084	1	\$29.11	\$74.22
Q1	CUSASMB2336	CUSHION,ASSY,14"W,14"H,SYNERGY STANDARD BACK,E-1359-083	1	\$29.74	\$75.84
R1	CUSASMB2366	CUSHION,ASSY,14"W,18"H,SYNERGY STANDARD BACK,E-1359-081	1	\$32.68	\$83.33
S1	CUSASMB2385	CUSHION,ASSY,14"W,20"H,SYNERGY STANDARD BACK,E-1359-079	1	\$35.06	\$89.4
T1	CUSASMB2404	CUSHION,ASSY,14"W,22"H,SYNERGY STANDARD BACK,E-1359-080	1	\$37.44	\$95.47
U1	SCRASBH1148	SCREW,BHSCS,BLACK ZINC,1/4-20 X 0.50",W/PATCH	4	\$1.26	\$3.21
V1	SCRASBH1209	SCREW,BHSCS,BLACK ZINC,1/4-20 X 0.875",GR 8,W/PATCH	4	\$1.12	\$2.86
W1	DWR1359B003	T-NUT,BLACK,1/4-20 X 0.563",0.50" TH,B-1359-003	4	\$2.92	\$7.45
X1	DWR1306C024	BACK PLATE BRACKET,T-SLOT,1",C-1306-024	4	\$2.27	\$5.78

Notes :

SETASMB part dimensions include 3" or 4" gap (dimensions in parentheses state actual solid back size).

XIV. Seat Cushion — Standard Back, 15" Width

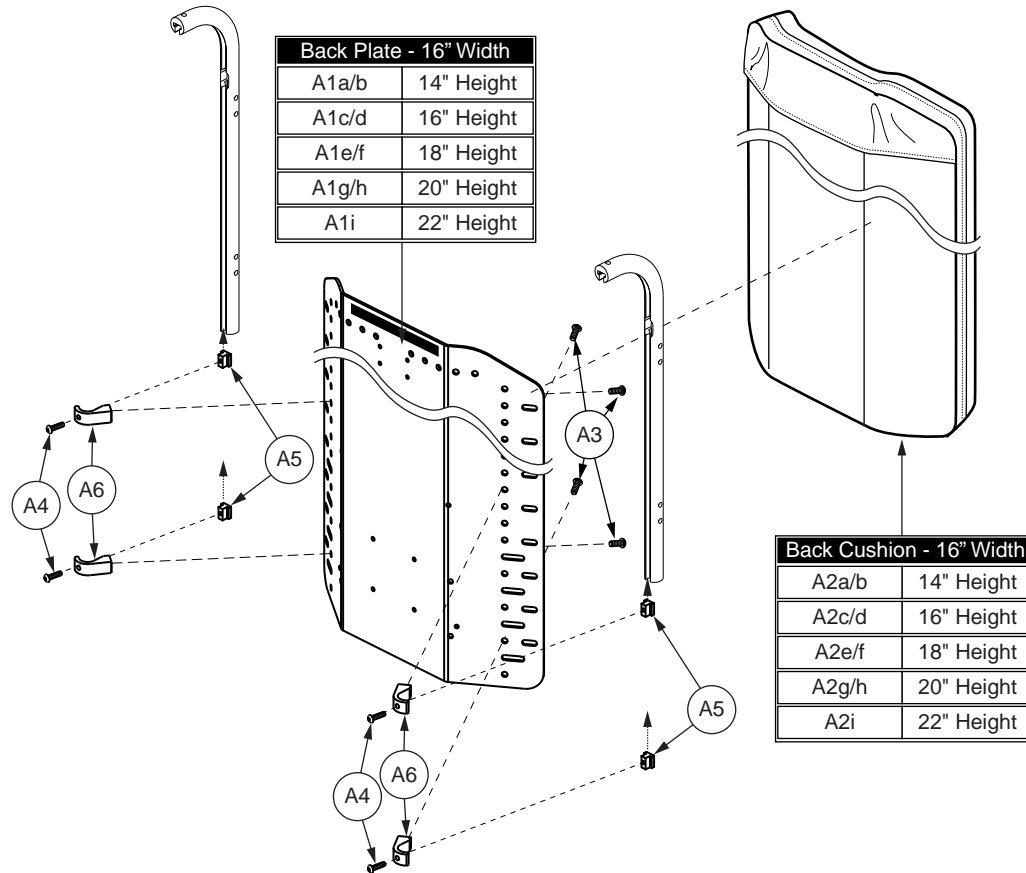


REF #	PART #	DESCRIPTION	QTY	Dealer \$	MSRP	11i
A1a - A6	SETASMB6462	SYNERGY STANDARD BACK,15"W,17"H,W/CUSHION,(15"W X 14"H)	1	\$110.35	\$281.39	
A1b - A6	SETASMB6638	SYNERGY STANDARD BACK,15"W,18"H,W/CUSHION,(15"W X 14"H)	1	\$110.35	\$281.39	
A1c - A6	SETASMB6473	SYNERGY STANDARD BACK,15"W,19"H,W/CUSHION,(15"W X 16"H)	1	\$110.35	\$281.39	
A1d - A6	SETASMB6649	SYNERGY STANDARD BACK,15"W,20"H,W/CUSHION,(15"W X 16"H)	1	\$110.35	\$281.39	
A1e - A6	SETASMB6492	SYNERGY STANDARD BACK,15"W,21"H,W/CUSHION,(15"W X 21"H)	1	\$123.82	\$315.74	
A1f - A6	SETASMB6668	SYNERGY STANDARD BACK,15"W,22"H,W/CUSHION,(15"W X 18"H)	1	\$123.82	\$315.74	
A1g - A6	SETASMB6511	SYNERGY STANDARD BACK,15"W,23"H,W/CUSHION,(15"W X 20"H)	1	\$128.32	\$327.22	
A1h - A6	SETASMB6687	SYNERGY STANDARD BACK,15"W,24"H,W/CUSHION,(15"W X 20"H)	1	\$128.32	\$327.22	
A1i - A6	SETASMB6530	SYNERGY STANDARD BACK,15"W,25"H,W/CUSHION,(15"W X 22"H)	1	\$132.89	\$338.87	
A1a/b	DWR1359E029F	SEAT BACK,15"W,14"H,SYNERGY STANDARD,E-1359-029	1	\$49.82	\$127.05	
A1c/d	DWR1359E032F	SEAT BACK,15"W,16"H,SYNERGY STANDARD,E-1359-032	1	\$58.21	\$148.44	
A1e/f	DWR1359E034F	SEAT BACK,15"W,18"H,SYNERGY STANDARD,E-1359-034	1	\$60.15	\$153.37	
A1g/h	DWR1359E036F	SEAT BACK,15"W,20"H,SYNERGY STANDARD,E-1359-036	1	\$62.07	\$158.29	
A1i	DWR1359E045F	SEAT BACK,15"W,22"H,SYNERGY STANDARD,E-1359-045	1	\$64.11	\$163.49	
A2a/b	CUSASMB2337	CUSHION,ASSY,15"W,14"H,SYNERGY STANDARD BACK,E-1359-083	1	\$31.25	\$79.69	
A2c/d	CUSASMB2337	CUSHION,ASSY,15"W,14"H,SYNERGY STANDARD BACK,E-1359-083	1	\$31.25	\$79.69	
A2e/f	CUSASMB2367	CUSHION,ASSY,15"W,18"H,SYNERGY STANDARD BACK,E-1359-081	1	\$34.4	\$87.71	
A2g/h	CUSASMB2386	CUSHION,ASSY,15"W,20"H,SYNERGY STANDARD BACK,E-1359-079	1	\$36.96	\$94.26	
A2i	CUSASMB2405	CUSHION,ASSY,15"W,22"H,SYNERGY STANDARD BACK,E-1359-080	1	\$39.51	\$100.74	
A3	SCRASBH1148	SCREW,BHSCS,BLACK ZINC,1/4-20 X 0.50",W/PATCH	4	\$1.26	\$3.21	
A4	SCRASBH1209	SCREW,BHSCS,BLACK ZINC,1/4-20 X 0.875",GR 8,W/PATCH	4	\$1.12	\$2.86	
A5	DWR1359B003	T-NUT,BLACK,1/4-20 X 0.563",0.50" TH,B-1359-003	4	\$2.92	\$7.45	
A6	DWR1306C024	BACK PLATE BRACKET,T-SLOT,1",C-1306-024	4	\$2.27	\$5.78	

Notes :

SETASMB part dimensions include 3" or 4" gap (dimensions in parentheses state actual solid back size).

XIV. Seat Cushion — Standard Back, 16" Width



REF #	PART #	DESCRIPTION	QTY	Dealer \$	11i MSRP
A1	SETASMB6463	SYNERGY STANDARD BACK,16"W,17"H,W/CUSHION,(16"W X 14"H)	1	\$68.53	\$174.75
B1	SETASMB6639	SYNERGY STANDARD BACK,16"W,18"H,W/CUSHION,(16"W X 14"H)	1	\$72.76	\$185.54
C1	SETASMB6474	SYNERGY STANDARD BACK,16"W,19"H,W/CUSHION,(16"W X 16"H)	1	\$83.79	\$213.68
D1	SETASMB6650	SYNERGY STANDARD BACK,16"W,20"H,W/CUSHION,(16"W X 16"H)	1	\$78.24	\$199.51
E1	SETASMB6493	SYNERGY STANDARD BACK,16"W,21"H,W/CUSHION,(16"W X 18"H)	1	\$87.93	\$224.22
F1	SETASMB6669	SYNERGY STANDARD BACK,16"W,22"H,W/CUSHION,(16"W X 18"H)	1	\$87.93	\$224.22
G1	SETASMB6512	SYNERGY STANDARD BACK,16"W,23"H,W/CUSHION,(16"W X 20"H)	1	\$101.76	\$259.49
H1	SETASMB6688	SYNERGY STANDARD BACK,16"W,24"H,W/CUSHION,(16"W X 20"H)	1	\$101.76	\$259.49
I1	SETASMB6531	SYNERGY STANDARD BACK,16"W,25"H,W/CUSHION,(16"W X 22"H)	1	\$106.58	\$271.78
J1	DWR1359E029G	SEAT BACK,16"W,14"H,SYNERGY STANDARD,E-1359-029	1	\$35.91	\$91.56
K1	DWR1359E032G	SEAT BACK,16"W,16"H,SYNERGY STANDARD,E-1359-032	1	\$44.29	\$112.95
L1	DWR1359E034G	SEAT BACK,16"W,18"H,SYNERGY STANDARD,E-1359-034	1	\$51.81	\$132.11
M1	DWR1359E036G	SEAT BACK,16"W,20"H,SYNERGY STANDARD,E-1359-036	1	\$62.92	\$160.45
N1	DWR1359E045G	SEAT BACK,16"W,22"H,SYNERGY STANDARD,E-1359-045	1	\$65.04	\$165.85
O1	CUSASMB2338	CUSHION,ASSY,16"W,14"H,SYNERGY STANDARD BACK,E-1359-083	1	\$32.62	\$83.19
P1	CUSASMB2349	CUSHION,ASSY,16"W,16"H,SYNERGY STANDARD BACK,E-1359-082	1	\$33.95	\$86.57
Q1	CUSASMB2368	CUSHION,ASSY,16"W,18"H,SYNERGY STANDARD BACK,E-1359-081	1	\$36.12	\$92.1
R1	CUSASMB2387	CUSHION,ASSY,16"W,20"H,SYNERGY STANDARD BACK,E-1359-079	1	\$38.84	\$99.05
S1	CUSASMB2406	CUSHION,ASSY,16"W,22"H,SYNERGY STANDARD BACK,E-1359-080	1	\$41.54	\$105.93
T1	SCRASBH1148	SCREW,BHSCS,BLACK ZINC,1/4-20 X 0.50",W/PATCH	4	\$1.26	\$3.21
U1	SCRASBH1209	SCREW,BHSCS,BLACK ZINC,1/4-20 X 0.875",GR 8,W/PATCH	4	\$1.12	\$2.86
V1	DWR1359B003	T-NUT,BLACK,1/4-20 X 0.563",0.50" TH,B-1359-003	4	\$2.92	\$7.45
W1	DWR1306C024	BACK PLATE BRACKET,T-SLOT,1",C-1306-024	4	\$2.27	\$5.78

Notes :

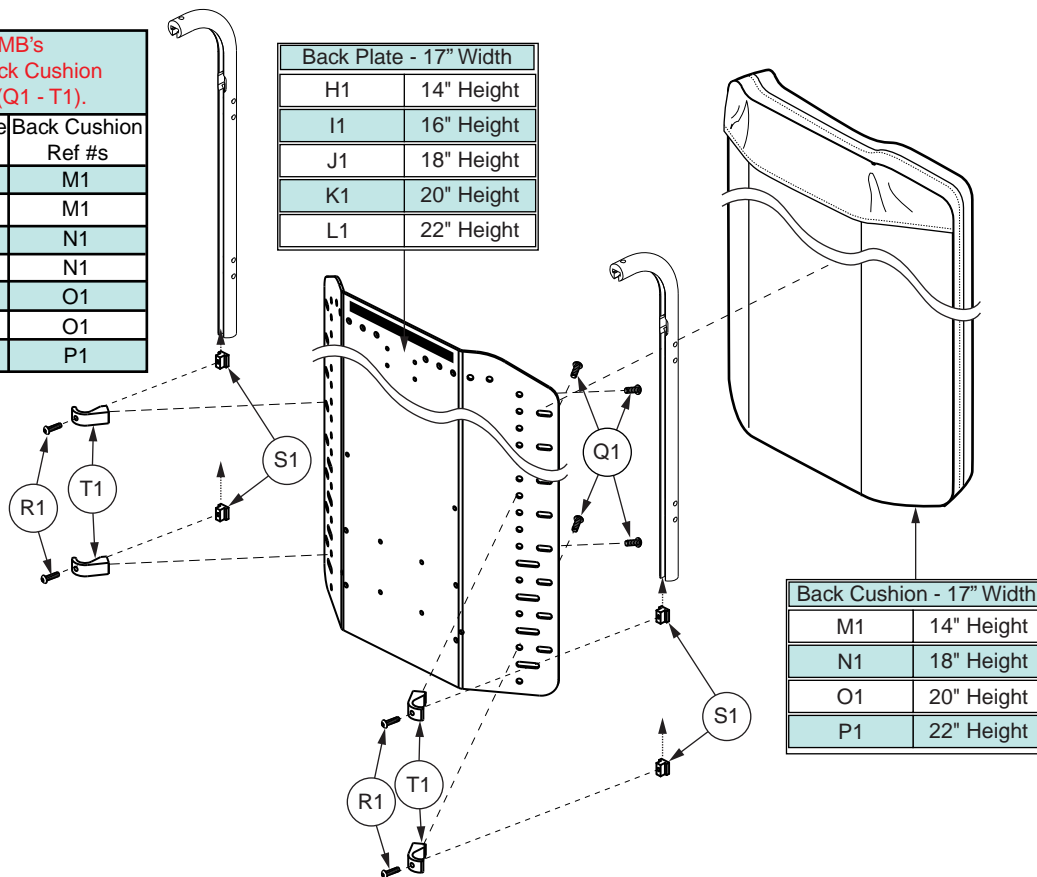
SETASMB part dimensions include 3" or 4" gap (dimensions in parentheses state actual solid back size).

XIV. Seat Cushion — Standard Back, 17" Width



The top-level SETASMB's include the Back Plate, Back Cushion and mounting hardware (Q1 - T1).

Top-level Ref #s	Size	Back Plate Ref #s	Back Cushion Ref #s
A1	17"W x 14"H	H1	M1
B1	17"W x 14"H	H1	M1
C1	17"W x 18"H	J1	N1
D1	17"W x 18"H	J1	N1
E1	17"W x 20"H	K1	O1
F1	17"W x 20"H	K1	O1
G1	17"W x 22"H	L1	P1



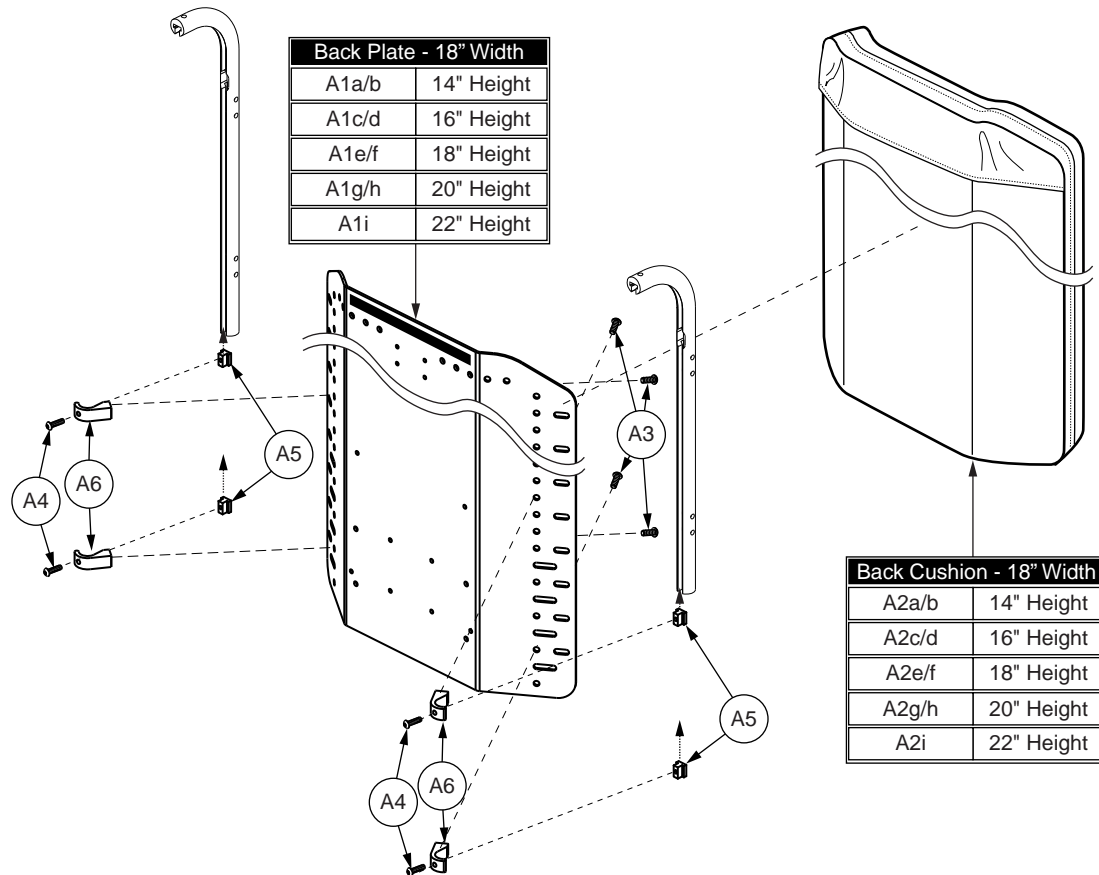
*** Only sizes listed are available for replacement.
All other sizes have been discontinued. ***

REF #	PART #	DESCRIPTION	QTY	Dealer \$	11i MSRP
A1	SETASMB6464	SYNERGY STANDARD BACK,17"W,17"H,W/CUSHION,(17"W X 14"H)	1	\$85.7	\$218.54
B1	SETASMB6640	SYNERGY STANDARD BACK,17"W,18"D,W/CUSHION,(17"W X 14"H)	1	\$89.99	\$229.47
C1	SETASMB6494	SYNERGY STANDARD BACK,17"W,21"H,W/CUSHION,(17"W X 18"H)	1	\$99.62	\$254.03
D1	SETASMB6670	SYNERGY STANDARD BACK,17"W,22"H,W/CUSHION,(17"W X 18"H)	1	\$99.62	\$254.03
E1	SETASMB6513	SYNERGY STANDARD BACK,17"W,23"H,W/CUSHION,(17"W X 20"H)	1	\$104.55	\$266.6
F1	SETASMB6689	SYNERGY STANDARD BACK,17"W,24"H,W/CUSHION,(17"W X 20"H)	1	\$104.55	\$266.6
G1	SETASMB6532	SYNERGY STANDARD BACK,17"W,25"H,W/CUSHION,(17"W X 22"H)	1	\$109.62	\$279.53
H1	DWR1359E029H	SEAT BACK,17"W,14"H,SYNERGY STANDARD	1	\$51.73	\$131.91
I1	DWR1359E032H	SEAT BACK,17"W,16"H,SYNERGY STANDARD	1	\$47.44	\$120.98
J1	DWR1359E034H	SEAT BACK,17"W,18"H,SYNERGY STANDARD	1	\$61.76	\$157.48
K1	DWR1359E036H	SEAT BACK,17"W,20"H,SYNERGY STANDARD	1	\$63.8	\$162.68
L1	DWR1359E045H	SEAT BACK,17"W,22"H,SYNERGY STANDARD	1	\$65.99	\$168.28
M1	CUSASMB2339	CUSHION,ASSY,17"W,14"H,SYNERGY STANDARD BACK	1	\$33.98	\$86.64
N1	CUSASMB2369	CUSHION,ASSY,17"W,18"H,SYNERGY STANDARD BACK	1	\$37.86	\$96.55
O1	CUSASMB2388	CUSHION,ASSY,17"W,20"H,SYNERGY STANDARD BACK	1	\$40.75	\$103.91
P1	CUSASMB2407	CUSHION,ASSY,17"W,22"H,SYNERGY STANDARD BACK	1	\$43.63	\$111.26
Q1	SCRASBH1148	SCREW,BHSCS,BLACK ZINC,1/4-20 X 0.50",W/PATCH	4	\$1.26	\$3.21
R1	SCRASBH1209	SCREW,BHSCS,BLACK ZINC,1/4-20 X 0.875",GR 8,W/PATCH	4	\$1.12	\$2.86
S1	DWR1359B003	T-NUT,BLACK,1/4-20 X 0.563",0.50" TH	4	\$2.92	\$7.45
T1	DWR1306C024	BACK PLATE BRACKET,T-SLOT,1"	4	\$2.27	\$5.78

Notes :

SETASMB part dimensions include 3" or 4" gap (dimensions in parentheses state actual solid back size).

XIV. Seat Cushion — Standard Back, 18" Width

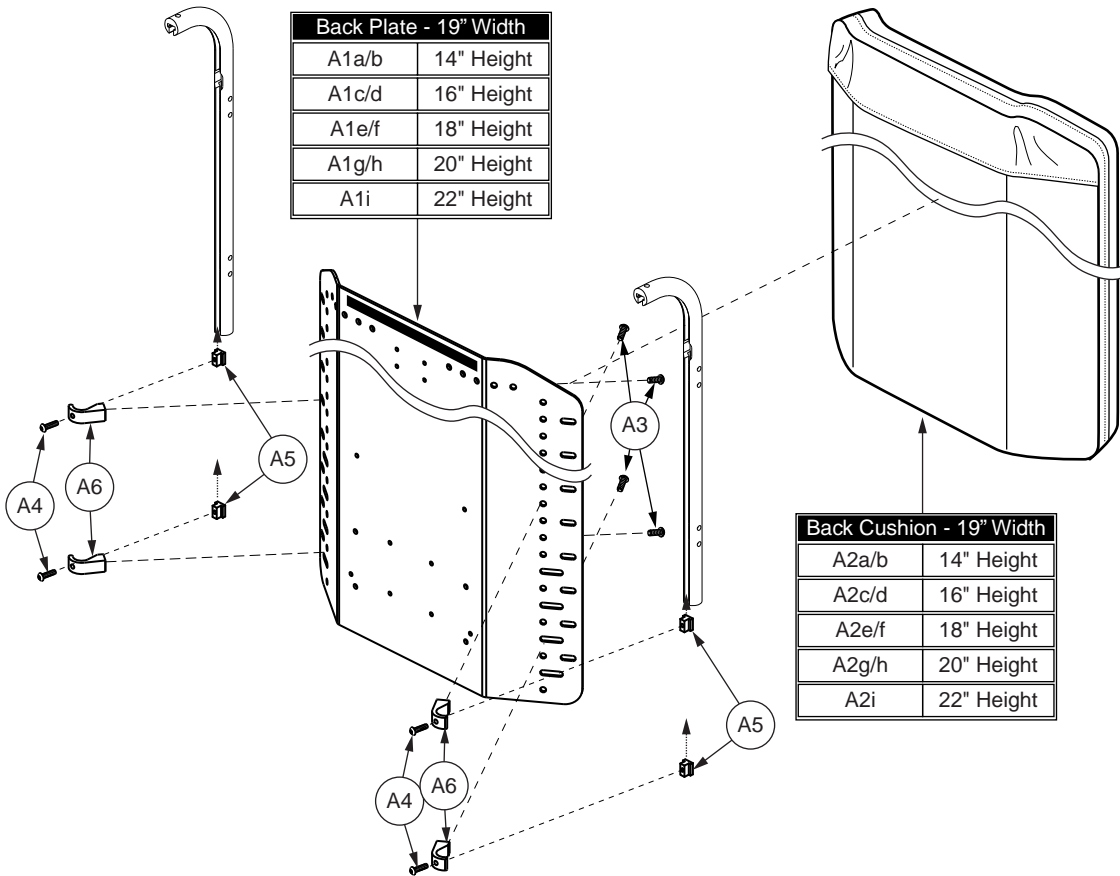


REF #	PART #	DESCRIPTION	QTY	Dealer \$	11i MSRP
A1	SETASMB6465	SYNERGY STANDARD BACK,18"W,17"H,W/CUSHION,(18"W X 14"H)	1	\$73.79	\$188.17
B1	SETASMB6641	SYNERGY STANDARD BACK,18"W,18"H,W/CUSHION,(18"W X 14"H)	1	\$73.79	\$188.17
C1	SETASMB6476	SYNERGY STANDARD BACK,18"W,19"H,W/CUSHION,(18"W X 16"H)	1	\$80.52	\$205.33
D1	SETASMB6652	SYNERGY STANDARD BACK,18"W,20"H,W/CUSHION,(18"W X 16"H)	1	\$80.52	\$205.33
E1	SETASMB6495	SYNERGY STANDARD BACK,18"W,21"H,W/CUSHION,(18"W X 18"H)	1	\$87.87	\$224.07
F1	SETASMB6671	SYNERGY STANDARD BACK,18"W,22"H,W/CUSHION,(18"W X 18"H)	1	\$94.11	\$239.98
G1	SETASMB6514	SYNERGY STANDARD BACK,18"W,23"H,W/CUSHION,(18"W X 20"H)	1	\$93.73	\$239.01
H1	SETASMB6690	SYNERGY STANDARD BACK,18"W,24"H,W/CUSHION,(18"W X 20"H)	1	\$98.42	\$250.96
I1	SETASMB6533	SYNERGY STANDARD BACK,18"W,25"H,W/CUSHION,(18"W X 22"H)	1	\$105.58	\$269.22
J1	DWR1359E029I	SEAT BACK,18"W,14"H,SYNERGY STANDARD,E-1359-029	1	\$34.77	\$88.66
K1	DWR1359E032I	SEAT BACK,18"W,16"H,SYNERGY STANDARD,E-1359-032	1	\$43.24	\$110.25
L1	DWR1359E034I	SEAT BACK,18"W,18"H,SYNERGY STANDARD,E-1359-034	1	\$48.13	\$122.73
M1	DWR1359E036I	SEAT BACK,18"W,20"H,SYNERGY STANDARD,E-1359-036	1	\$50.94	\$129.89
N1	DWR1359E045I	SEAT BACK,18"W,22"H,SYNERGY STANDARD,E-1359-045	1	\$54.72	\$139.53
O1	CUSASMB2340	CUSHION,ASSY,18"W,14"H,SYNERGY STANDARD BACK,E-1359-083	1	\$35.51	\$90.55
P1	CUSASMB2351	CUSHION,ASSY,18"W,16"H,SYNERGY STANDARD BACK,E-1359-082	1	\$37.28	\$95.07
Q1	CUSASMB2370	CUSHION,ASSY,18"W,18"H,SYNERGY STANDARD BACK,E-1359-081	1	\$39.74	\$101.34
R1	CUSASMB2389	CUSHION,ASSY,18"W,20"H,SYNERGY STANDARD BACK,E-1359-079	1	\$42.78	\$109.1
S1	CUSASMB2408	CUSHION,ASSY,18"W,22"H,SYNERGY STANDARD BACK,E-1359-080	1	\$45.83	\$116.86
T1	SCRASBH1148	SCREW,BHSCS,BLACK ZINC,1/4-20 X 0.50",W/PATCH	4	\$1.26	\$3.21
U1	SCRASBH1209	SCREW,BHSCS,BLACK ZINC,1/4-20 X 0.875",GR 8,W/PATCH	4	\$1.12	\$2.86
V1	DWR1359B003	T-NUT,BLACK,1/4-20 X 0.563",0.50" TH,B-1359-003	4	\$2.92	\$7.45
W1	DWR1306C024	BACK PLATE BRACKET,T-SLOT,1",C-1306-024	4	\$2.27	\$5.78

Notes :

SETASMB part dimensions include 3" or 4" gap (dimensions in parentheses state actual solid back size).

XIV. Seat Cushion — Standard Back, 19" Width

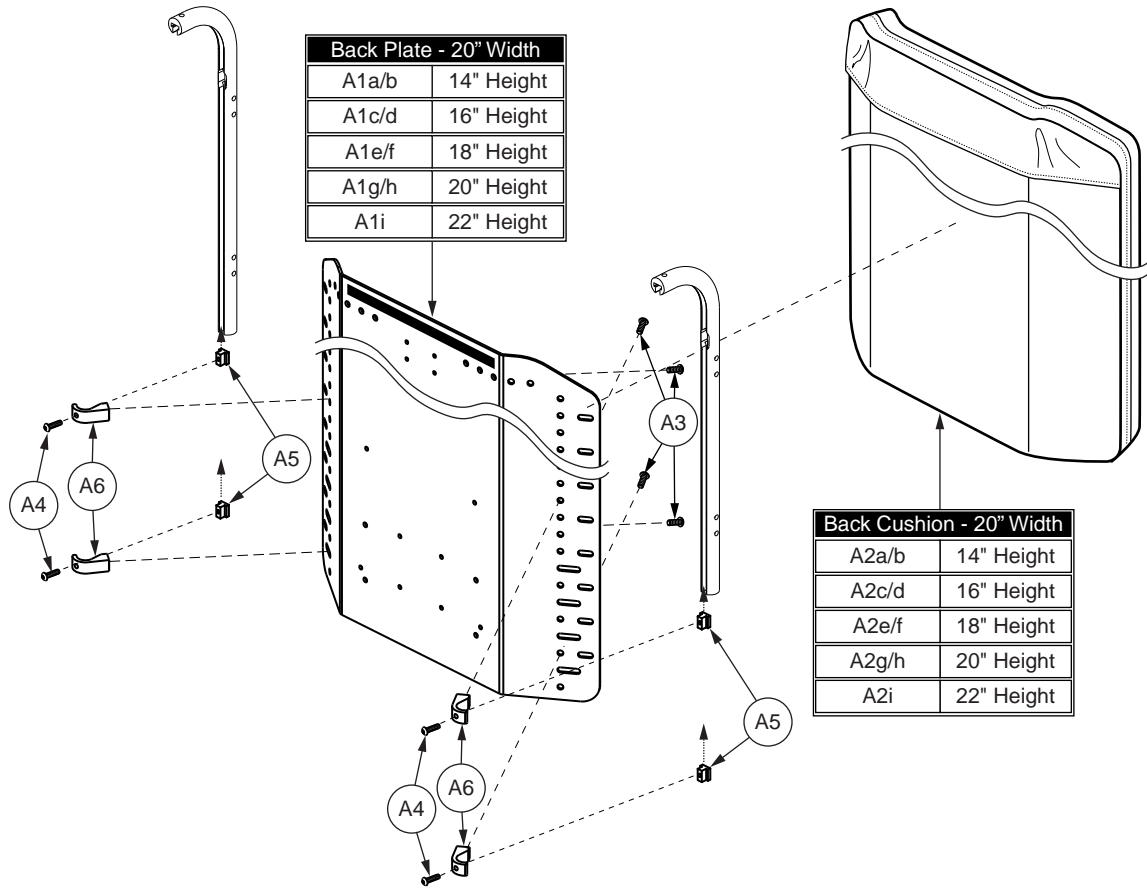


REF #	PART #	DESCRIPTION	QTY	Dealer \$	11i MSRP
A1	SETASMB6466	SYNERGY STANDARD BACK,19"W,17"H,W/CUSHION,(19"W X 14"H)	1	\$83.54	\$213.03
B1	SETASMB6642	SYNERGY STANDARD BACK,19"W,18"H,W/CUSHION,(19"W X 14"H)	1	\$83.54	\$213.03
C1	SETASMB6477	SYNERGY STANDARD BACK,19"W,19"H,W/CUSHION,(19"W X 16"H)	1	\$90.89	\$231.77
D1	SETASMB6653	SYNERGY STANDARD BACK,19"W,20"H,W/CUSHION,(19"W X 16"H)	1	\$90.89	\$231.77
E1	SETASMB6496	SYNERGY STANDARD BACK,19"W,21"H,W/CUSHION,(19"W X 18"H)	1	\$109.68	\$279.68
F1	SETASMB6672	SYNERGY STANDARD BACK,19"W,22"H,W/CUSHION,(19"W X 18"H)	1	\$109.68	\$279.68
G1	SETASMB6515	SYNERGY STANDARD BACK,19"W,23"H,W/CUSHION,(19"W X 20"H)	1	\$115.07	\$293.43
H1	SETASMB6691	SYNERGY STANDARD BACK,19"W,24"H,W/CUSHION,(19"W X 20"H)	1	\$115.07	\$293.43
I1	SETASMB6534	SYNERGY STANDARD BACK,19"W,25"H,W/CUSHION,(19"W X 22"H)	1	\$120.68	\$307.73
J1	DWR1359E029J	SEAT BACK,19"W,14"H,SYNERGY STANDARD,E-1359-029	1	\$47.05	\$119.97
K1	DWR1359E032J	SEAT BACK,19"W,16"H,SYNERGY STANDARD,E-1359-032	1	\$52.18	\$133.06
L1	DWR1359E034J	SEAT BACK,19"W,18"H,SYNERGY STANDARD,E-1359-034	1	\$68.19	\$173.88
M1	DWR1359E036J	SEAT BACK,19"W,20"H,SYNERGY STANDARD,E-1359-036	1	\$70.41	\$179.55
N1	DWR1359E045J	SEAT BACK,19"W,22"H,SYNERGY STANDARD,E-1359-045	1	\$72.79	\$185.62
O1	CUSASMB2341	CUSHION,ASSY,19"W,14"H,SYNERGY STANDARD BACK,E-1359-083	1	\$36.49	\$93.05
P1	CUSASMB2352	CUSHION,ASSY,19"W,16"H,SYNERGY STANDARD BACK,E-1359-082	1	\$38.71	\$98.71
Q1	CUSASMB2371	CUSHION,ASSY,19"W,18"H,SYNERGY STANDARD BACK,E-1359-081	1	\$41.49	\$105.8
R1	CUSASMB2390	CUSHION,ASSY,19"W,20"H,SYNERGY STANDARD BACK,E-1359-079	1	\$44.66	\$113.89
S1	CUSASMB2409	CUSHION,ASSY,19"W,22"H,SYNERGY STANDARD BACK,E-1359-080	1	\$47.89	\$122.13
T1	SCRASBH1148	SCREW,BHSCS,BLACK ZINC,1/4-20 X 0.50",W/PATCH	4	\$1.26	\$3.21
U1	SCRASBH1209	SCREW,BHSCS,BLACK ZINC,1/4-20 X 0.875",GR 8,W/PATCH	4	\$1.12	\$2.86
V1	DWR1359B003	T-NUT,BLACK,1/4-20 X 0.563",0.50" TH,B-1359-003	4	\$2.92	\$7.45
W1	DWR1306C024	BACK PLATE BRACKET,T-SLOT,1",C-1306-024	4	\$2.27	\$5.78

Notes :

SETASMB part dimensions include 3" or 4" gap (dimensions in parentheses state actual solid back size).

XIV. Seat Cushion — Standard Back, 20" Width



REF #	PART #	DESCRIPTION	QTY	Dealer \$	11i MSRP
A1	SETASMB6467	SYNERGY STANDARD BACK,20"W,17"H,W/CUSHION,(20"W X 14"H)	1	\$120.68	\$307.73
B1	SETASMB6643	SYNERGY STANDARD BACK,20"W,18"H,W/CUSHION,(20"W X 14"H)	1	\$87.2	\$222.36
C1	SETASMB6478	SYNERGY STANDARD BACK,20"W,19"H,W/CUSHION,(20"W X 16"H)	1	\$81.42	\$207.62
D1	SETASMB6654	SYNERGY STANDARD BACK,20"W,20"H,W/CUSHION,(20"W X 16"H)	1	\$98.7	\$251.69
E1	SETASMB6497	SYNERGY STANDARD BACK,20"W,21"H,W/CUSHION,(20"W X 18"H)	1	\$92.16	\$235
F1	SETASMB6673	SYNERGY STANDARD BACK,20"W,22"H,W/CUSHION,(20"W X 18"H)	1	\$104.49	\$266.45
G1	SETASMB6516	SYNERGY STANDARD BACK,20"W,23"H,W/CUSHION,(20"W X 20"H)	1	\$116.42	\$296.87
H1	SETASMB6692	SYNERGY STANDARD BACK,20"W,24"H,W/CUSHION,(20"W X 20"H)	1	\$108.7	\$277.19
I1	SETASMB6535	SYNERGY STANDARD BACK,20"W,25"H,W/CUSHION,(20"W X 22"H)	1	\$109.91	\$280.27
J1	DWR1359E029K	SEAT BACK,20"W,14"H,SYNERGY STANDARD,E-1359-029	1	\$42.89	\$109.37
K1	DWR1359E032K	SEAT BACK,20"W,16"H,SYNERGY STANDARD,E-1359-032	1	\$51.97	\$132.52
L1	DWR1359E034K	SEAT BACK,20"W,18"H,SYNERGY STANDARD,E-1359-034	1	\$54.32	\$138.52
M1	DWR1359E036K	SEAT BACK,20"W,20"H,SYNERGY STANDARD,E-1359-036	1	\$62.1	\$158.36
N1	DWR1359E045K	SEAT BACK,20"W,22"H,SYNERGY STANDARD,E-1359-045	1	\$59.98	\$152.96
O1	CUSASMB2342	CUSHION,ASSY,20"W,14"H,SYNERGY STANDARD BACK,E-1359-083	1	\$38.53	\$98.24
P1	CUSASMB2353	CUSHION,ASSY,20"W,16"H,SYNERGY STANDARD BACK,E-1359-082	1	\$40.19	\$102.49
Q1	CUSASMB2372	CUSHION,ASSY,20"W,18"H,SYNERGY STANDARD BACK,E-1359-081	1	\$43.24	\$110.25
R1	CUSASMB2391	CUSHION,ASSY,20"W,20"H,SYNERGY STANDARD BACK,E-1359-079	1	\$46.6	\$118.82
S1	CUSASMB2410	CUSHION,ASSY,20"W,22"H,SYNERGY STANDARD BACK,E-1359-080	1	\$49.93	\$127.32
T1	SCRASBH1148	SCREW,BHSCS,BLACK ZINC,1/4-20 X 0.50",W/PATCH	4	\$1.26	\$3.21
U1	SCRASBH1209	SCREW,BHSCS,BLACK ZINC,1/4-20 X 0.875",GR 8,W/PATCH	4	\$1.12	\$2.86
V1	DWR1359B003	T-NUT,BLACK,1/4-20 X 0.563",0.50" TH,B-1359-003	4	\$2.92	\$7.45
W1	DWR1306C024	BACK PLATE BRACKET,T-SLOT,1",C-1306-024	4	\$2.27	\$5.78

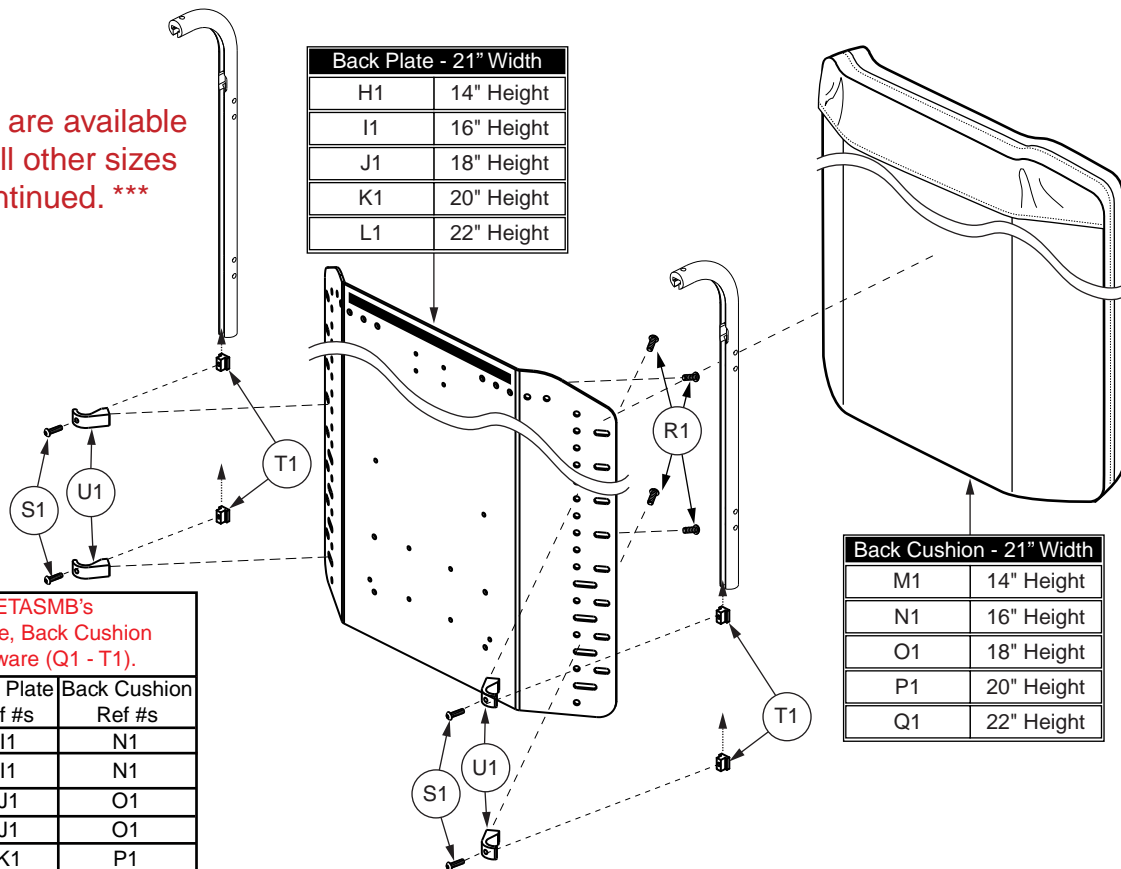
Notes :

SETASMB part dimensions include 3" or 4" gap (dimensions in parentheses state actual solid back size).

XIV. Seat Cushion — Standard Back, 21" Width



*** Only sizes listed are available for replacement. All other sizes have been discontinued. ***



The top-level SETASMB's include the Back Plate, Back Cushion and mounting hardware (Q1 - T1).

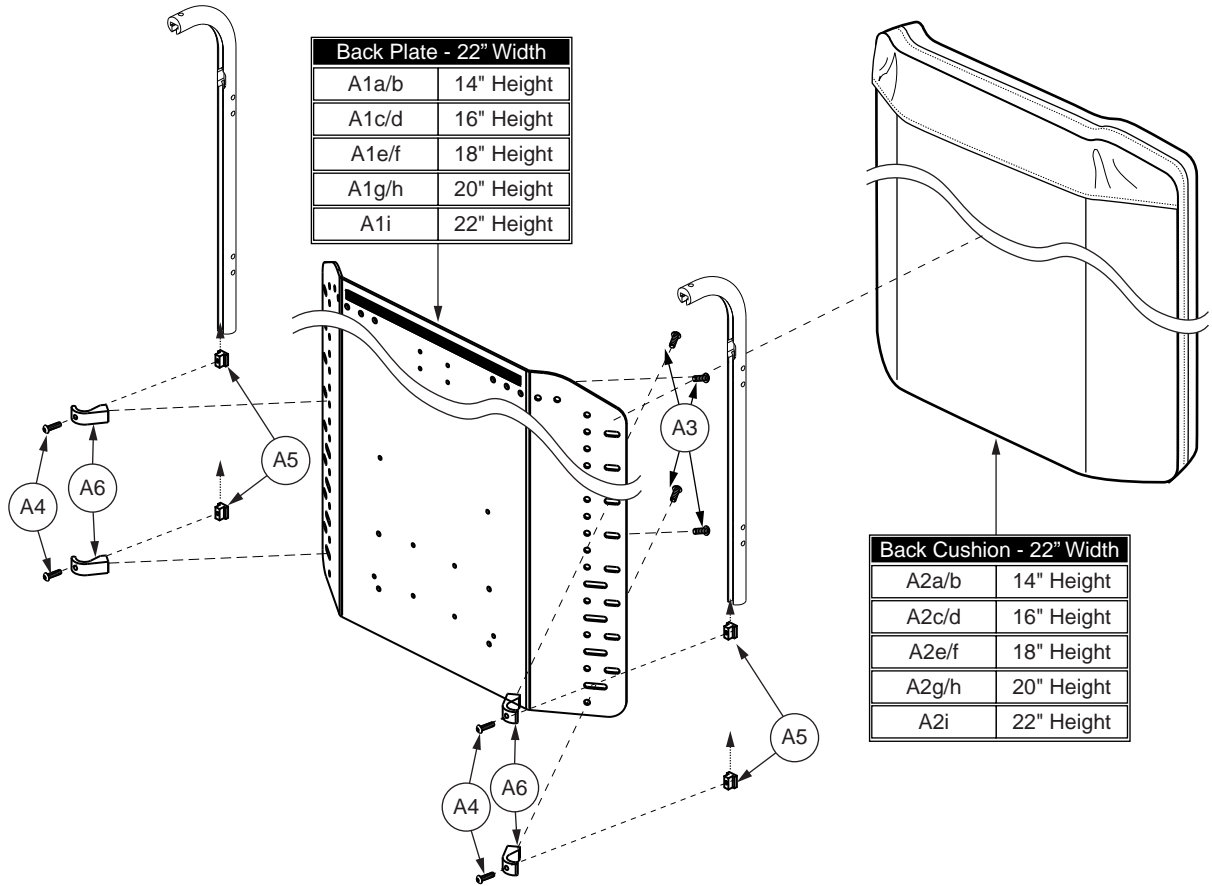
Top-level Ref #s	Size	Back Plate Ref #s	Back Cushion Ref #s
A1	21"W x 16"H	I1	N1
B1	21"W x 16"H	I1	N1
C1	21"W x 18"H	J1	O1
D1	21"W x 18"H	J1	O1
E1	21"W x 20"H	K1	P1
F1	21"W x 20"H	K1	P1
G1	21"W x 22"H	L1	Q1

REF #	PART #	DESCRIPTION	QTY	Dealer \$	11i MSRP
A1	SETASMB6479	SYNERGY STANDARD BACK,21"W,19"H,W/CUSHION,(21"W X 16"H)	1	\$109.15	\$278.33
B1	SETASMB6655	SYNERGY STANDARD BACK,21"W,20"H,W/CUSHION,(21"W X 16"H)	1	\$109.15	\$278.33
C1	SETASMB6498	SYNERGY STANDARD BACK,21"W,21"H,W/CUSHION,(21"W X 18"H)	1	\$114.78	\$292.69
D1	SETASMB6674	SYNERGY STANDARD BACK,21"W,22"H,W/CUSHION,(21"W X 18"H)	1	\$114.78	\$292.69
E1	SETASMB6517	SYNERGY STANDARD BACK,21"W,23"H,W/CUSHION,(21"W X 20"H)	1	\$120.74	\$307.89
F1	SETASMB6693	SYNERGY STANDARD BACK,21"W,24"H,W/CUSHION,(21"W X 20"H)	1	\$120.74	\$307.89
G1	SETASMB6536	SYNERGY STANDARD BACK,21"W,25"H,W/CUSHION,(21"W X 22"H)	1	\$126.77	\$323.26
H1	DWR1359E029L	SEAT BACK,21"W,14"H,SYNERGY STANDARD,E-1359-029	1	\$56.81	\$144.86
I1	DWR1359E032L	SEAT BACK,21"W,16"H,SYNERGY STANDARD,E-1359-032	1	\$67.34	\$171.72
J1	DWR1359E034L	SEAT BACK,21"W,18"H,SYNERGY STANDARD,E-1359-034	1	\$73.24	\$186.75
K1	DWR1359E036L	SEAT BACK,21"W,20"H,SYNERGY STANDARD,E-1359-036	1	\$72.16	\$184
L1	DWR1359E045L	SEAT BACK,21"W,22"H,SYNERGY STANDARD,E-1359-045	1	\$74.67	\$190.41
M1	CUSASMB2343	CUSHION,ASSY,21"W,14"H,SYNERGY STANDARD BACK,E-1359-083	1	\$40.38	\$102.96
N1	CUSASMB2354	CUSHION,ASSY,21"W,16"H,SYNERGY STANDARD BACK,E-1359-082	1	\$41.81	\$106.61
O1	CUSASMB2373	CUSHION,ASSY,21"W,18"H,SYNERGY STANDARD BACK,E-1359-081	1	\$45.04	\$114.84
P1	CUSASMB2392	CUSHION,ASSY,21"W,20"H,SYNERGY STANDARD BACK,E-1359-079	1	\$48.58	\$123.88
Q1	CUSASMB2411	CUSHION,ASSY,21"W,22"H,SYNERGY STANDARD BACK,E-1359-080	1	\$52.1	\$132.85
R1	SCRASBH1148	SCREW,BHSCS,BLACK ZINC,1/4-20 X 0.50",W/PATCH	4	\$1.26	\$3.21
S1	SCRASBH1209	SCREW,BHSCS,BLACK ZINC,1/4-20 X 0.875",GR 8,W/PATCH	4	\$1.12	\$2.86
T1	DWR1359B003	T-NUT,BLACK,1/4-20 X 0.563",0.50" TH,B-1359-003	4	\$2.92	\$7.45
U1	DWR1306C024	BACK PLATE BRACKET,T-SLOT,1",C-1306-024	4	\$2.27	\$5.78

Notes :

SETASMB part dimensions include 3" or 4" gap (dimensions in parentheses state actual solid back size).

XIV. Seat Cushion — Standard Back, 22" Width



REF #	PART #	DESCRIPTION	QTY	Dealer \$	MSRP	11i
A1	SETASMB6469	SYNERGY STANDARD BACK,22"W,17"H,W/CUSHION,(22"W X 14"H)	1	\$112.21	\$286.14	
B1	SETASMB6645	SYNERGY STANDARD BACK,22"W,18"H,W/CUSHION,(22"W X 14"H)	1	\$120.18	\$306.46	
C1	SETASMB6480	SYNERGY STANDARD BACK,22"W,19"H,W/CUSHION,(22"W X 16"H)	1	\$140.63	\$358.61	
D1	SETASMB6656	SYNERGY STANDARD BACK,22"W,20"H,W/CUSHION,(22"W X 16"H)	1	\$140.63	\$358.61	
E1	SETASMB6499	SYNERGY STANDARD BACK,22"W,21"H,W/CUSHION,(22"W X 18"H)	1	\$137.58	\$350.83	
F1	SETASMB6675	SYNERGY STANDARD BACK,22"W,22"H,W/CUSHION,(22"W X 18"H)	1	\$137.58	\$350.83	
G1	SETASMB6518	SYNERGY STANDARD BACK,22"W,23"H,W/CUSHION,(22"W X 20"H)	1	\$152.8	\$389.64	
H1	SETASMB6694	SYNERGY STANDARD BACK,22"W,24"H,W/CUSHION,(22"W X 20"H)	1	\$152.8	\$389.64	
I1	SETASMB6537	SYNERGY STANDARD BACK,22"W,25"H,W/CUSHION,(22"W X 22"H)	1	\$167.01	\$425.88	
J1	DWR1359E029M	SEAT BACK,22"W,14"H,SYNERGY STANDARD,E-1359-029	1	\$41.41	\$105.6	
K1	DWR1359E032M	SEAT BACK,22"W,16"H,SYNERGY STANDARD,E-1359-032	1	N/A	N/A	
L1	DWR1359E034M	SEAT BACK,22"W,18"H,SYNERGY STANDARD,E-1359-034	1	\$61.41	\$156.6	
M1	DWR1359E036M	SEAT BACK,22"W,20"H,SYNERGY STANDARD,E-1359-036	1	\$73.05	\$186.29	
N1	DWR1359E045M	SEAT BACK,22"W,22"H,SYNERGY STANDARD,E-1359-045	1	\$79.43	\$202.55	
O1	CUSASMB2344	CUSHION,ASSY,22"W,14"H,SYNERGY STANDARD BACK,E-1359-083	1	\$41.52	\$105.87	
P1	CUSASMB2355	CUSHION,ASSY,22"W,16"H,SYNERGY STANDARD BACK,E-1359-082	1	\$43.29	\$110.39	
Q1	CUSASMB2374	CUSHION,ASSY,22"W,18"H,SYNERGY STANDARD BACK,E-1359-081	1	\$46.89	\$119.56	
R1	CUSASMB2393	CUSHION,ASSY,22"W,20"H,SYNERGY STANDARD BACK,E-1359-079	1	\$50.46	\$128.67	
S1	CUSASMB2412	CUSHION,ASSY,22"W,22"H,SYNERGY STANDARD BACK,E-1359-080	1	\$54.14	\$138.05	
T1	SCRASBH1148	SCREW,BHSCS,BLACK ZINC,1/4-20 X 0.50",W/PATCH	4	\$1.26	\$3.21	
U1	SCRASBH1209	SCREW,BHSCS,BLACK ZINC,1/4-20 X 0.875",GR 8,W/PATCH	4	\$1.12	\$2.86	
V1	DWR1359B003	T-NUT,BLACK,1/4-20 X 0.563",0.50" TH,B-1359-003	4	\$2.92	\$7.45	
W1	DWR1306C024	BACK PLATE BRACKET,T-SLOT,1",C-1306-024	4	\$2.27	\$5.78	

Notes :

SETASMB part dimensions include 3" or 4" gap (dimensions in parentheses state actual solid back size).

XIV. Seat Cushion — Standard Back, 23" Width



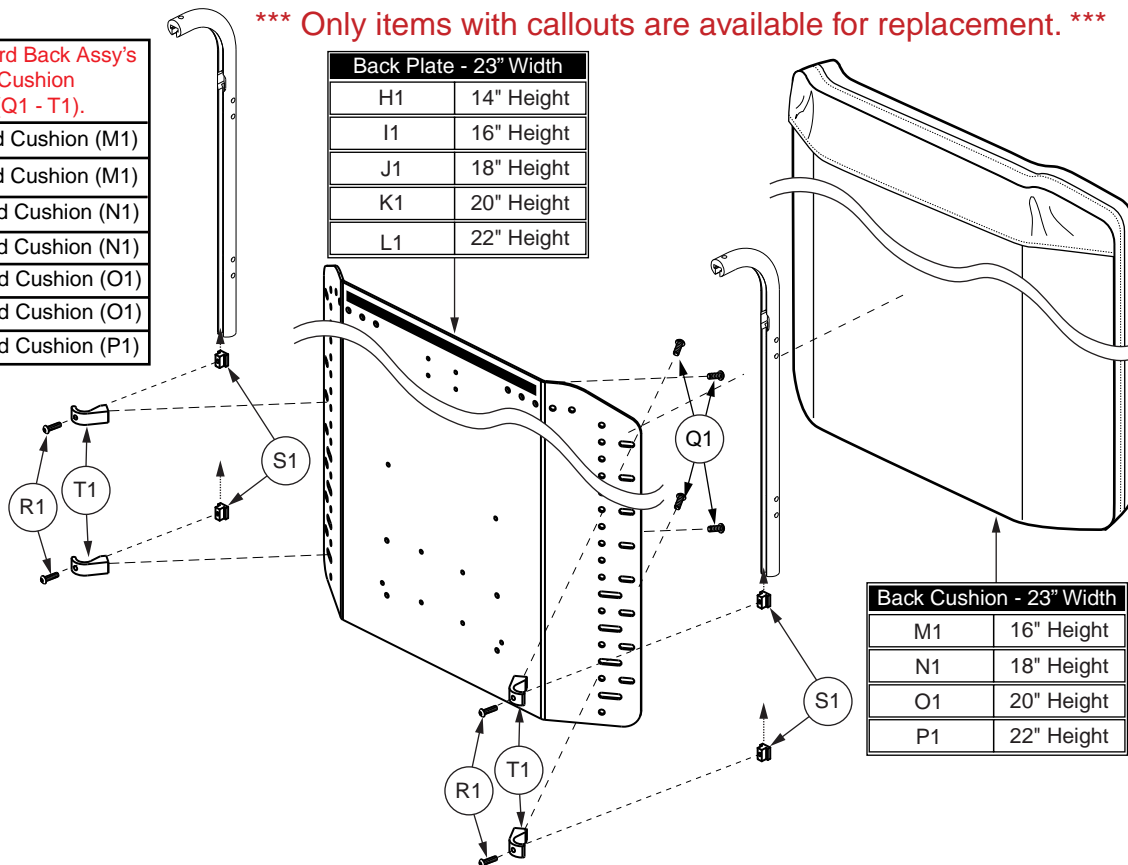
*** Only items with callouts are available for replacement. ***

The complete Synergy Standard Back Assy's include the Seat Back, Cushion and mounting hardware (Q1 - T1).

A1	Includes Seat Back (I1) and Cushion (M1)
B1	Includes Seat Back (I1) and Cushion (M1)
C1	Includes Seat Back (J1) and Cushion (N1)
D1	Includes Seat Back (J1) and Cushion (N1)
E1	Includes Seat Back (K1) and Cushion (O1)
F1	Includes Seat Back (K1) and Cushion (O1)
G1	Includes Seat Back (L1) and Cushion (P1)

Back Plate - 23" Width	
H1	14" Height
I1	16" Height
J1	18" Height
K1	20" Height
L1	22" Height

Back Cushion - 23" Width	
M1	16" Height
N1	18" Height
O1	20" Height
P1	22" Height

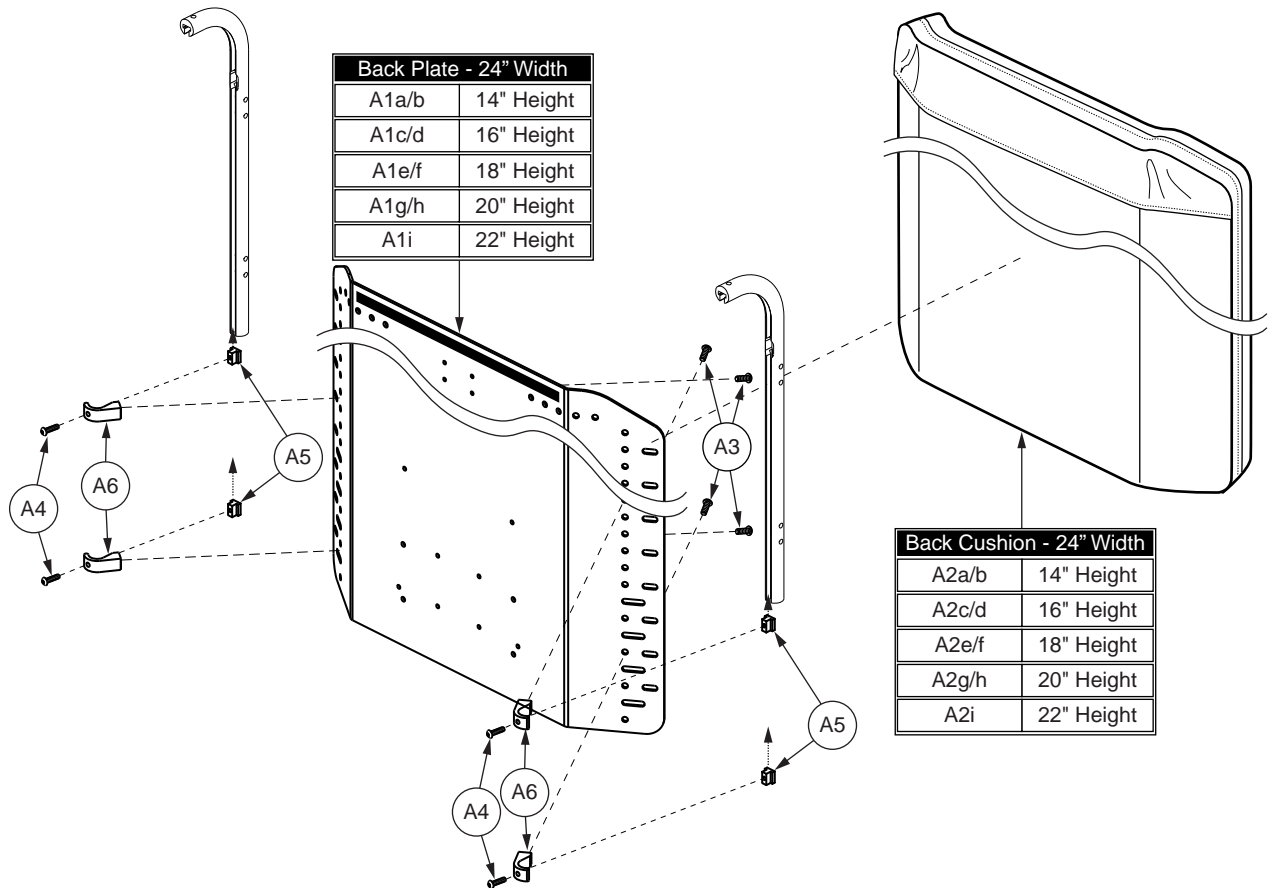


REF #	PART #	DESCRIPTION	QTY	Dealer \$	11i MSRP
A1	SETASMB6481	SYNERGY STANDARD BACK,23"W,19"H,W/CUSHION,(23"W X 16"H)	1	\$147.37	\$375.79
B1	SETASMB6657	SYNERGY STANDARD BACK,23"W,20"H,W/CUSHION,(23"W X 16"H)	1	\$147.37	\$375.79
C1	SETASMB6500	SYNERGY STANDARD BACK,23"W,21"H,W/CUSHION,(23"W X 18"H)	1	\$154.14	\$393.06
D1	SETASMB6676	SYNERGY STANDARD BACK,23"W,22"H,W/CUSHION,(23"W X 18"H)	1	\$154.14	\$393.06
E1	SETASMB6519	SYNERGY STANDARD BACK,23"W,23"H,W/CUSHION,(23"W X 20"H)	1	\$151.32	\$385.87
F1	SETASMB6695	SYNERGY STANDARD BACK,23"W,24"H,W/CUSHION,(23"W X 20"H)	1	\$151.32	\$385.87
G1	SETASMB6538	SYNERGY STANDARD BACK,23"W,25"H,W/CUSHION,(23"W X 22"H)	1	\$166.87	\$425.52
H1	DWR1359E029N	SEAT BACK,23"W,14"H,SYNERGY STANDARD,E-1359-029	1	\$58.08	\$148.1
I1	DWR1359E032N	SEAT BACK,23"W,16"H,SYNERGY STANDARD,E-1359-032	1	\$68.74	\$175.29
J1	DWR1359E034N	SEAT BACK,23"W,18"H,SYNERGY STANDARD,E-1359-034	1	\$71.36	\$181.97
K1	DWR1359E036N	SEAT BACK,23"W,20"H,SYNERGY STANDARD,E-1359-036	1	\$64.36	\$164.11
L1	DWR1359E045N	SEAT BACK,23"W,22"H,SYNERGY STANDARD,E-1359-045	1	\$75.65	\$192.91
M1	CUSASMB2356	CUSHION,ASSY,23"W,16"H,SYNERGY STANDARD BACK,E-1359-082	1	\$49.27	\$125.63
N1	CUSASMB2375	CUSHION,ASSY,23"W,18"H,SYNERGY STANDARD BACK,E-1359-081	1	\$53.42	\$136.23
O1	CUSASMB2394	CUSHION,ASSY,23"W,20"H,SYNERGY STANDARD BACK,E-1359-079	1	\$57.6	\$146.88
P1	CUSASMB2413	CUSHION,ASSY,23"W,22"H,SYNERGY STANDARD BACK,E-1359-080	1	\$61.86	\$157.75
Q1	SCRASBH1148	SCREW,BHSCS,BLACK ZINC,1/4-20 X 0.50",W/PATCH	4	\$1.26	\$3.21
R1	SCRASBH1209	SCREW,BHSCS,BLACK ZINC,1/4-20 X 0.875",GR 8,W/PATCH	4	\$1.12	\$2.86
S1	DWR1359B003	T-NUT,BLACK,1/4-20 X 0.563",0.50" TH,B-1359-003	4	\$2.92	\$7.45
T1	DWR1306C024	BACK PLATE BRACKET,T-SLOT,1",C-1306-024	4	\$2.27	\$5.78

Notes :

SETASMB part dimensions include 3" or 4" gap (dimensions in parentheses state actual solid back size).

XIV. Seat Cushion — Standard Back, 24" Width



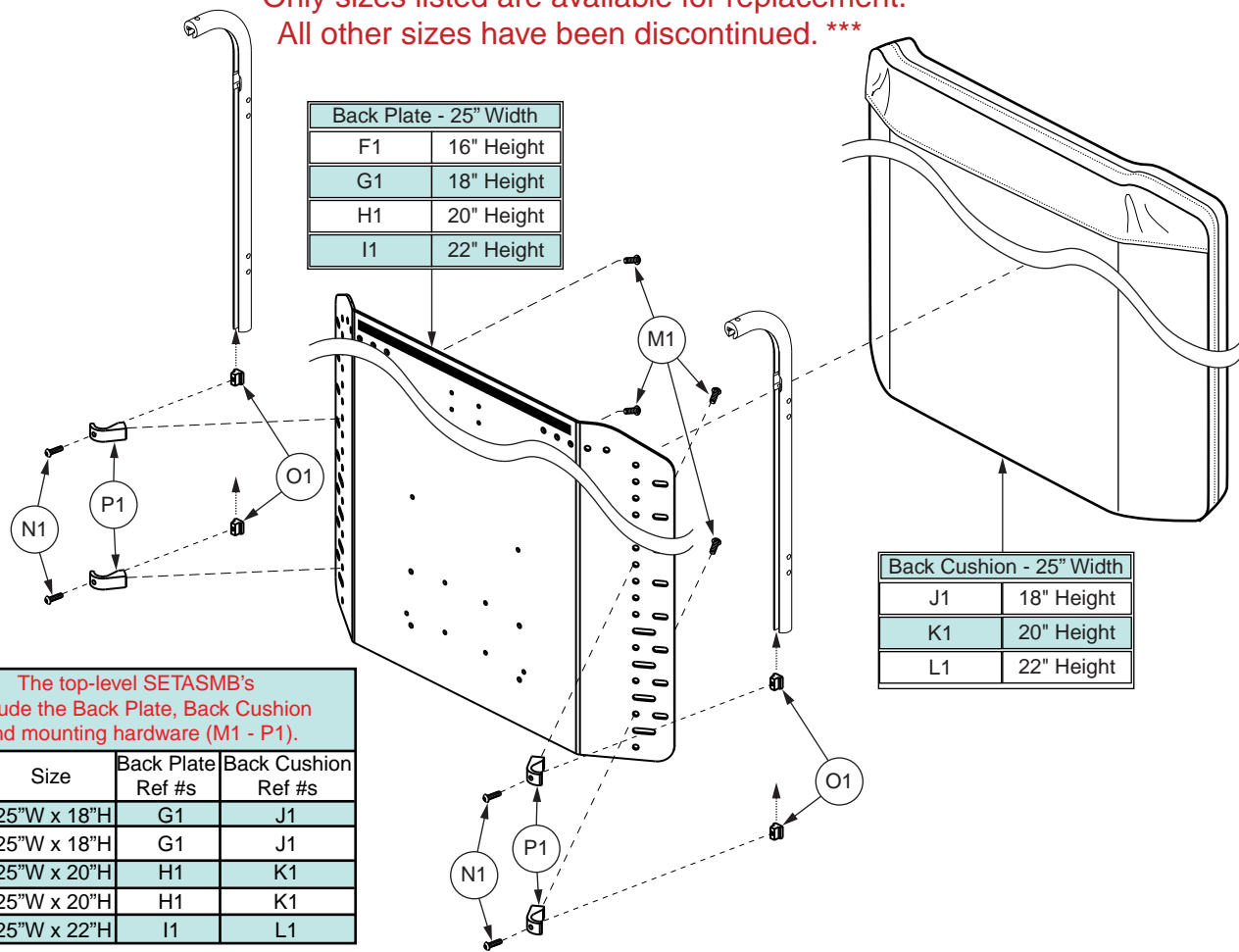
REF #	PART #	DESCRIPTION	QTY	Dealer \$	11i MSRP
A1	SETASMB6471	SYNERGY STANDARD BACK,24"W,17"H,W/CUSHION,(24"W X 14"H)	1	\$122.98	\$313.6
B1	SETASMB6647	SYNERGY STANDARD BACK,24"W,18"H,W/CUSHION,(24"W X 14"H)	1	\$131.71	\$335.87
C1	SETASMB6482	SYNERGY STANDARD BACK,24"W,19"H,W/CUSHION,(24"W X 16"H)	1	\$148.13	\$377.73
D1	SETASMB6658	SYNERGY STANDARD BACK,24"W,20"H,W/CUSHION,(24"W X 16"H)	1	\$158.65	\$404.55
E1	SETASMB6501	SYNERGY STANDARD BACK,24"W,21"H,W/CUSHION,(24"W X 18"H)	1	\$154.19	\$393.18
F1	SETASMB6677	SYNERGY STANDARD BACK,24"W,22"H,W/CUSHION,(24"W X 18"H)	1	\$161.9	\$412.84
G1	SETASMB6520	SYNERGY STANDARD BACK,24"W,23"H,W/CUSHION,(24"W X 20"H)	1	\$163.83	\$417.77
H1	SETASMB6696	SYNERGY STANDARD BACK,24"W,24"H,W/CUSHION,(24"W X 20"H)	1	\$172.02	\$438.66
I1	SETASMB6539	SYNERGY STANDARD BACK,24"W,25"H,W/CUSHION,(24"W X 22"H)	1	\$157.25	\$400.99
J1	DWR1359E029O	SEAT BACK,24"W,14"H,SYNERGY STANDARD,E-1359-029	1	\$44.96	\$114.64
K1	DWR1359E032O	SEAT BACK,24"W,16"H,SYNERGY STANDARD,E-1359-032	1	\$71.34	\$181.91
L1	DWR1359E034O	SEAT BACK,24"W,18"H,SYNERGY STANDARD,E-1359-034	1	\$72.16	\$184
M1	DWR1359E036O	SEAT BACK,24"W,20"H,SYNERGY STANDARD,E-1359-036	1	\$74.78	\$190.68
N1	DWR1359E045O	SEAT BACK,24"W,22"H,SYNERGY STANDARD,E-1359-045	1	\$63.8	\$162.68
O1	CUSASMB2346	CUSHION,ASSY,24"W,14"H,SYNERGY STANDARD BACK,E-1359-083	1	\$48.66	\$124.08
P1	CUSASMB2357	CUSHION,ASSY,24"W,16"H,SYNERGY STANDARD BACK,E-1359-082	1	\$51.02	\$130.09
Q1	CUSASMB2376	CUSHION,ASSY,24"W,18"H,SYNERGY STANDARD BACK,E-1359-081	1	\$52.67	\$134.3
R1	CUSASMB2395	CUSHION,ASSY,24"W,20"H,SYNERGY STANDARD BACK,E-1359-079	1	\$59.69	\$152.22
S1	CUSASMB2414	CUSHION,ASSY,24"W,22"H,SYNERGY STANDARD BACK,E-1359-080	1	\$64.09	\$163.42
T1	SCRASBH1148	SCREW,BHSCS,BLACK ZINC,1/4-20 X 0.50",W/PATCH	4	\$1.26	\$3.21
U1	SCRASBH1209	SCREW,BHSCS,BLACK ZINC,1/4-20 X 0.875",GR 8,W/PATCH	4	\$1.12	\$2.86
V1	DWR1359B003	T-NUT,BLACK,1/4-20 X 0.563",0.50" TH,B-1359-003	4	\$2.92	\$7.45
W1	DWR1306C024	BACK PLATE BRACKET,T-SLOT,1",C-1306-024	4	\$2.27	\$5.78

Notes :

SETASMB part dimensions include 3" or 4" gap (dimensions in parentheses state actual solid back size).



*** Only sizes listed are available for replacement.
All other sizes have been discontinued. ***



The top-level SETASMB's include the Back Plate, Back Cushion and mounting hardware (M1 - P1).

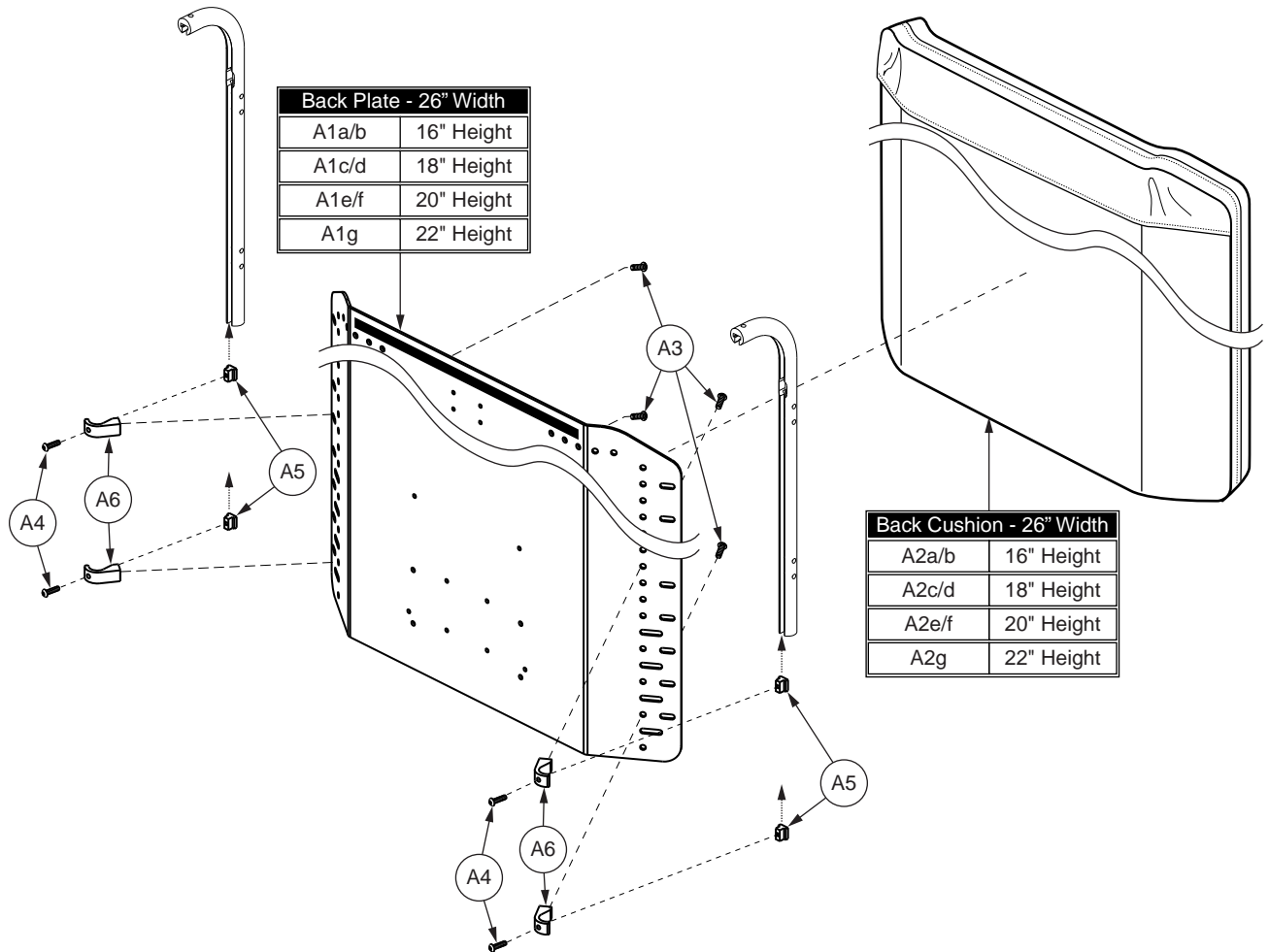
Top-level Ref #s	Size	Back Plate Ref #s	Back Cushion Ref #s
A1	25"W x 18"H	G1	J1
B1	25"W x 18"H	G1	J1
C1	25"W x 20"H	H1	K1
D1	25"W x 20"H	H1	K1
E1	25"W x 22"H	I1	L1

REF #	PART #	DESCRIPTION	QTY	Dealer \$	11i MSRP
A1	SETASMB6502	SYNERGY STANDARD BACK,25"W,21"H,W/CUSHION,(25"W X 18"H)	1	\$141.15	\$359.93
B1	SETASMB6678	SYNERGY STANDARD BACK,25"W,22"H,W/CUSHION,(25"W X 18"H)	1	\$141.15	\$359.93
C1	SETASMB6521	SYNERGY STANDARD BACK,25"W,23"H,W/CUSHION,(25"W X 20"H)	1	\$174.87	\$445.92
D1	SETASMB6697	SYNERGY STANDARD BACK,25"W,24"H,W/CUSHION,(25"W X 20"H)	1	\$174.87	\$445.92
E1	SETASMB6540	SYNERGY STANDARD BACK,25"W,25"H,W/CUSHION,(25"W X 22"H)	1	\$182.35	\$464.99
F1	DWR1359E032P	SEAT BACK,25"W,16"H,SYNERGY STANDARD,E-1359-032	1	\$78.24	\$199.52
G1	DWR1359E034P	SEAT BACK,25"W,18"H,SYNERGY STANDARD,E-1359-034	1	\$54.56	\$139.13
H1	DWR1359E036P	SEAT BACK,25"W,20"H,SYNERGY STANDARD,E-1359-036	1	\$83.75	\$213.55
I1	DWR1359E045P	SEAT BACK,25"W,22"H,SYNERGY STANDARD,E-1359-045	1	\$86.63	\$220.91
J1	CUSASMB2377	CUSHION,ASSY,25"W,18"H,SYNERGY STANDARD BACK,E-1359-081	1	\$57.23	\$145.94
K1	CUSASMB2396	CUSHION,ASSY,25"W,20"H,SYNERGY STANDARD BACK,E-1359-079	1	\$61.76	\$157.48
L1	CUSASMB2415	CUSHION,ASSY,25"W,22"H,SYNERGY STANDARD BACK,E-1359-080	1	\$66.36	\$169.22
M1	SCRASBH1148	SCREW,BHSCS,BLACK ZINC,1/4-20 X 0.50",W/PATCH	4	\$1.26	\$3.21
N1	SCRASBH1209	SCREW,BHSCS,BLACK ZINC,1/4-20 X 0.875",GR 8,W/PATCH	4	\$1.12	\$2.86
O1	DWR1359B003	T-NUT,BLACK,1/4-20 X 0.563",0.50" TH,B-1359-003	4	\$2.92	\$7.45
P1	DWR1306C024	BACK PLATE BRACKET,T-SLOT,1",C-1306-024	4	\$2.27	\$5.78

Notes :

SETASMB part dimensions include 3" or 4" gap (dimensions in parentheses state actual solid back size).

XIV. Seat Cushion — Standard Back, 26" Width



REF #	PART #	DESCRIPTION	QTY	Dealer \$	11i MSRP
A1	SETASMB6484	SYNERGY STANDARD BACK,26"W,19"H,W/CUSHION,(26"W X 16"H)	1	\$163.11	\$415.93
B1	SETASMB6660	SYNERGY STANDARD BACK,26"W,20"H,W/CUSHION,(26"W X 16"H)	1	\$163.11	\$415.93
C1	SETASMB6503	SYNERGY STANDARD BACK,26"W,21"H,W/CUSHION,(26"W X 18"H)	1	\$170.57	\$434.95
D1	SETASMB6679	SYNERGY STANDARD BACK,26"W,22"H,W/CUSHION,(26"W X 18"H)	1	\$170.57	\$434.95
E1	SETASMB6522	SYNERGY STANDARD BACK,26"W,23"H,W/CUSHION,(26"W X 20"H)	1	\$178.12	\$454.21
F1	SETASMB6698	SYNERGY STANDARD BACK,26"W,24"H,W/CUSHION,(26"W X 20"H)	1	\$178.12	\$454.21
G1	SETASMB6541	SYNERGY STANDARD BACK,26"W,25"H,W/CUSHION,(26"W X 22"H)	1	\$185.84	\$473.89
H1	DWR1359E032Q	SEAT BACK,26"W,16"H,SYNERGY STANDARD,E-1359-032	1	\$78.98	\$201.41
I1	DWR1359E034Q	SEAT BACK,26"W,18"H,SYNERGY STANDARD,E-1359-034	1	\$81.82	\$208.63
J1	DWR1359E036Q	SEAT BACK,26"W,20"H,SYNERGY STANDARD,E-1359-036	1	\$84.65	\$215.85
K1	DWR1359E045Q	SEAT BACK,26"W,22"H,SYNERGY STANDARD,E-1359-045	1	\$87.58	\$223.34
L1	CUSASMB2359	CUSHION,ASSY,26"W,16"H,SYNERGY STANDARD BACK,E-1359-082	1	\$54.77	\$139.67
M1	CUSASMB2378	CUSHION,ASSY,26"W,18"H,SYNERGY STANDARD BACK,E-1359-081	1	\$59.4	\$151.48
N1	CUSASMB2397	CUSHION,ASSY,26"W,20"H,SYNERGY STANDARD BACK,E-1359-079	1	\$64.11	\$163.49
O1	CUSASMB2416	CUSHION,ASSY,26"W,22"H,SYNERGY STANDARD BACK,E-1359-080	1	\$68.9	\$175.7
P1	SCRASBH1148	SCREW,BHSCS,BLACK ZINC,1/4-20 X 0.50",W/PATCH	4	\$1.26	\$3.21
Q1	SCRASBH1209	SCREW,BHSCS,BLACK ZINC,1/4-20 X 0.875",GR 8,W/PATCH	4	\$1.12	\$2.86
R1	DWR1359B003	T-NUT,BLACK,1/4-20 X 0.563",0.50" TH,B-1359-003	4	\$2.92	\$7.45
S1	DWR1306C024	BACK PLATE BRACKET,T-SLOT,1",C-1306-024	4	\$2.27	\$5.78

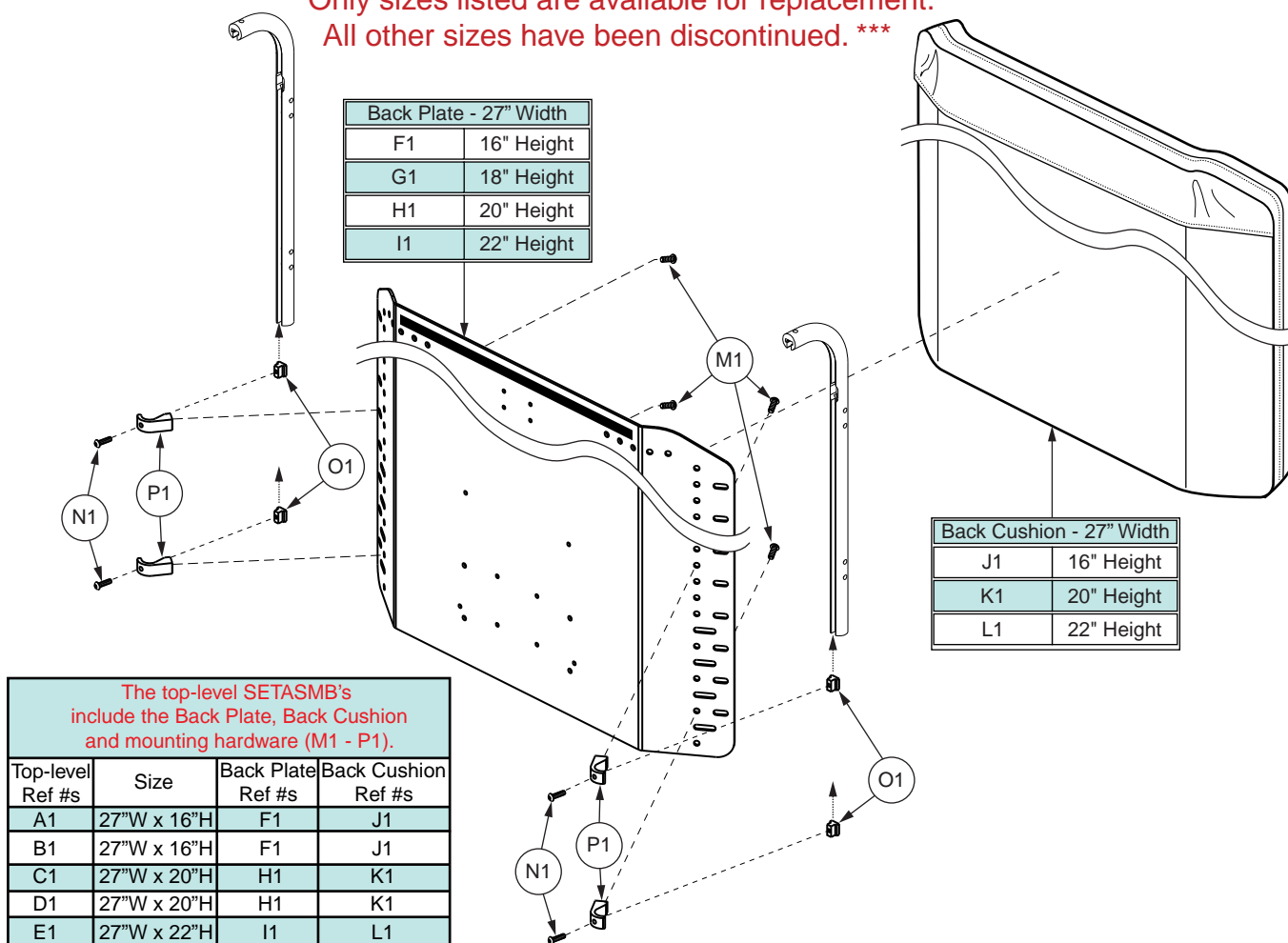
Notes :

SETASMB part dimensions include 3" or 4" gap (dimensions in parentheses state actual solid back size).

XIV. Seat Cushion — Standard Back, 27" Width



*** Only sizes listed are available for replacement.
All other sizes have been discontinued. ***

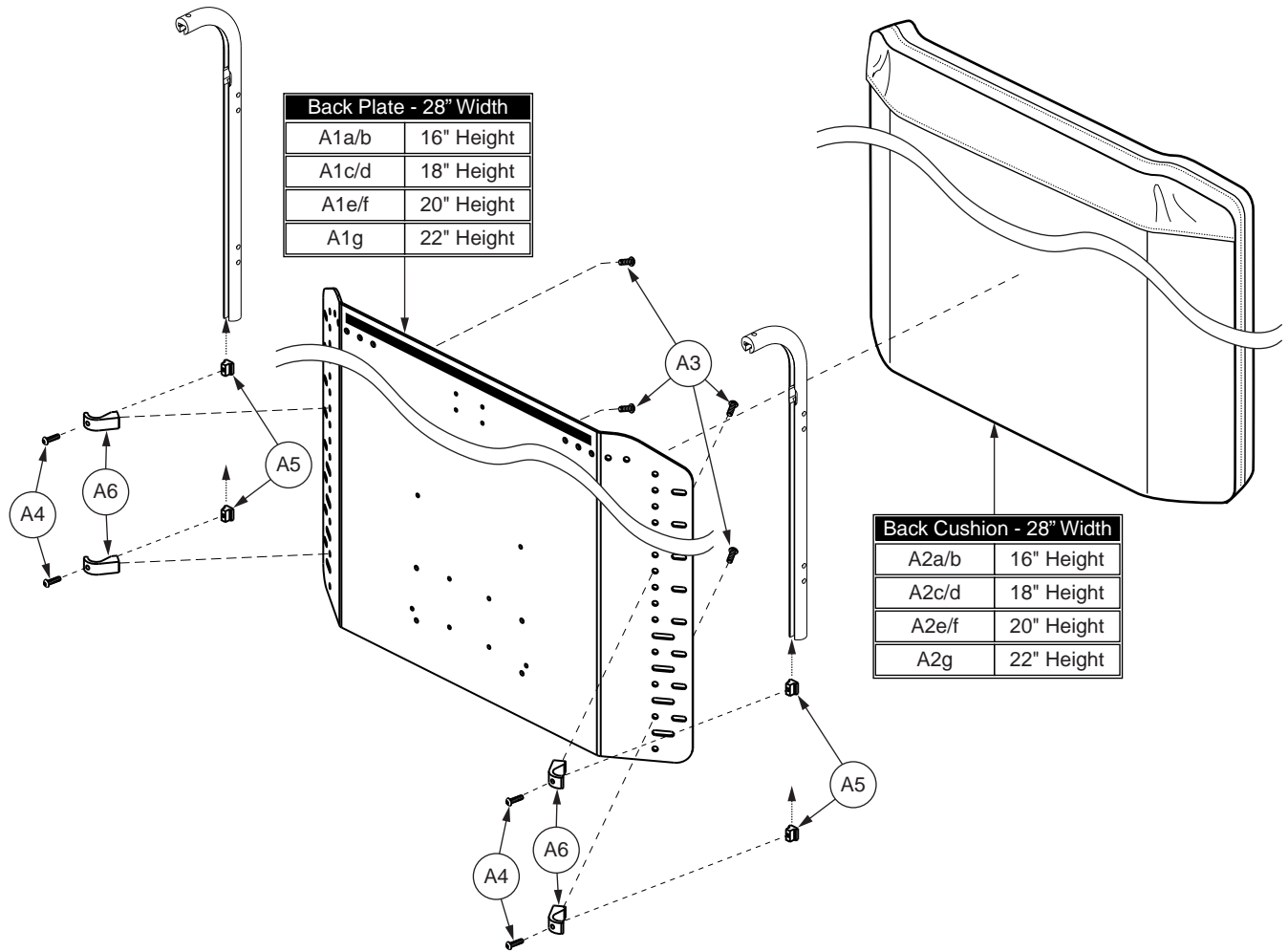


REF #	PART #	DESCRIPTION	QTY	Dealer \$	MSRP	11i
A1	SETASMB6485	SYNERGY STANDARD BACK,27"W,19"H,W/CUSHION,(27"W X 16"H)	1	\$165.55	\$422.15	
B1	SETASMB6661	SYNERGY STANDARD BACK,27"W,20"H,W/CUSHION,(27"W X 16"H)	1	\$165.55	\$422.15	
C1	SETASMB6523	SYNERGY STANDARD BACK,27"W,23"H,W/CUSHION,(27"W X 20"H)	1	\$181.11	\$461.83	
D1	SETASMB6699	SYNERGY STANDARD BACK,27"W,24"H,W/CUSHION,(27"W X 20"H)	1	\$181.11	\$461.83	
E1	SETASMB6542	SYNERGY STANDARD BACK,27"W,25"H,W/CUSHION,(27"W X 22"H)	1	\$188.99	\$481.92	
F1	DWR1359E032R	SEAT BACK,27"W,16"H,SYNERGY STANDARD,E-1359-032	1	\$79.7	\$203.23	
G1	DWR1359E034R	SEAT BACK,27"W,18"H,SYNERGY STANDARD,E-1359-034	1	\$82.64	\$210.72	
H1	DWR1359E036R	SEAT BACK,27"W,20"H,SYNERGY STANDARD,E-1359-036	1	\$85.52	\$218.07	
I1	DWR1359E045R	SEAT BACK,27"W,22"H,SYNERGY STANDARD,E-1359-045	1	\$88.51	\$225.7	
J1	CUSASMB2360	CUSHION,ASSY,27"W,16"H,SYNERGY STANDARD BACK,E-1359-082	1	\$56.49	\$144.05	
K1	CUSASMB2398	CUSHION,ASSY,27"W,20"H,SYNERGY STANDARD BACK,E-1359-079	1	\$66.23	\$168.88	
L1	CUSASMB2417	CUSHION,ASSY,27"W,22"H,SYNERGY STANDARD BACK,E-1359-080	1	\$71.13	\$181.37	
M1	SCRASBH1148	SCREW,BHSCS,BLACK ZINC,1/4-20 X 0.50",W/PATCH	4	\$1.26	\$3.21	
N1	SCRASBH1209	SCREW,BHSCS,BLACK ZINC,1/4-20 X 0.875",GR 8,W/PATCH	4	\$1.12	\$2.86	
O1	DWR1359B003	T-NUT,BLACK,1/4-20 X 0.563",0.50" TH,B-1359-003	4	\$2.92	\$7.45	
P1	DWR1306C024	BACK PLATE BRACKET,T-SLOT,1",C-1306-024	4	\$2.27	\$5.78	

Notes :

SETASMB part dimensions include 3" or 4" gap (dimensions in parentheses state actual solid back size).

XIV. Seat Cushion — Standard Back, 28" Width



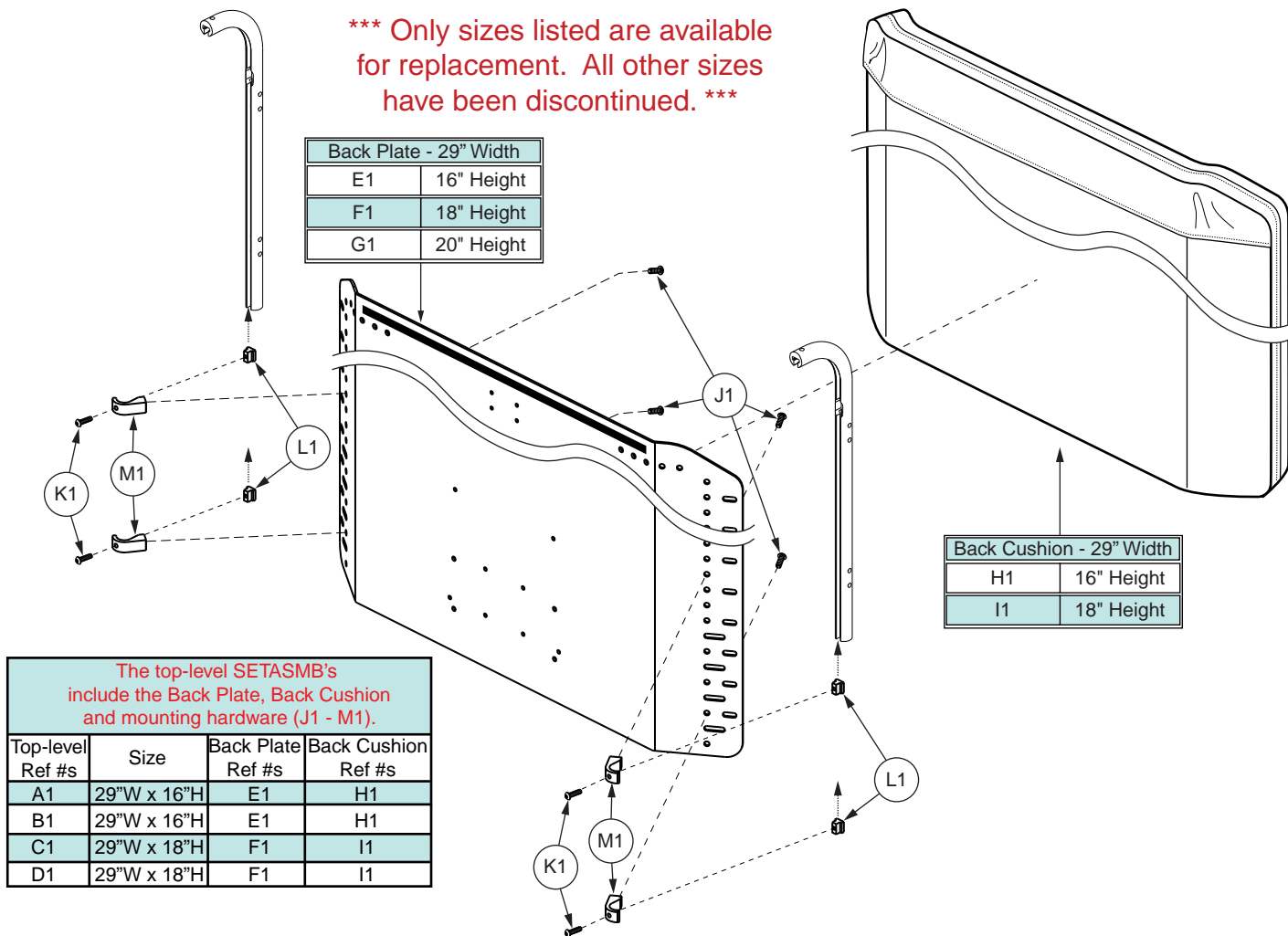
REF #	PART #	DESCRIPTION	QTY	Dealer \$	11i MSRP
A1	SETASMB6486	SYNERGY STANDARD BACK,28"W,19"H,W/CUSHION,(28"W X 16"H)	1	\$167.96	\$428.3
B1	SETASMB6662	SYNERGY STANDARD BACK,28"W,20"H,W/CUSHION,(28"W X 16"H)	1	\$167.96	\$428.3
C1	SETASMB6505	SYNERGY STANDARD BACK,28"W,21"H,W/CUSHION,(28"W X 18"H)	1	\$175.97	\$448.72
D1	SETASMB6681	SYNERGY STANDARD BACK,28"W,22"H,W/CUSHION,(28"W X 18"H)	1	\$184.77	\$471.16
E1	SETASMB6524	SYNERGY STANDARD BACK,28"W,23"H,W/CUSHION,(28"W X 20"H)	1	\$184.02	\$469.25
F1	SETASMB6700	SYNERGY STANDARD BACK,28"W,24"H,W/CUSHION,(28"W X 20"H)	1	\$184.02	\$469.25
G1	SETASMB6543	SYNERGY STANDARD BACK,28"W,25"H,W/CUSHION,(28"W X 22"H)	1	\$192.22	\$490.16
H1	DWR1359E032S	SEAT BACK,28"W,16"H,SYNERGY STANDARD,E-1359-032	1	\$80.38	\$204.98
I1	DWR1359E034S	SEAT BACK,28"W,18"H,SYNERGY STANDARD,E-1359-034	1	\$83.4	\$212.67
J1	DWR1359E036S	SEAT BACK,28"W,20"H,SYNERGY STANDARD,E-1359-036	1	\$86.36	\$220.23
K1	DWR1359E045S	SEAT BACK,28"W,22"H,SYNERGY STANDARD,E-1359-045	1	\$89.46	\$228.13
L1	CUSASMB2361	CUSHION,ASSY,28"W,16"H,SYNERGY STANDARD BACK,E-1359-082	1	\$58.21	\$148.44
M1	CUSASMB2380	CUSHION,ASSY,28"W,18"H,SYNERGY STANDARD BACK,E-1359-081	1	\$63.21	\$161.19
N1	CUSASMB2399	CUSHION,ASSY,28"W,20"H,SYNERGY STANDARD BACK,E-1359-079	1	\$68.29	\$174.15
O1	CUSASMB2418	CUSHION,ASSY,28"W,22"H,SYNERGY STANDARD BACK,E-1359-080	1	\$73.4	\$187.17
P1	SCRASBH1148	SCREW,BHSCS,BLACK ZINC,1/4-20 X 0.50",W/PATCH	4	\$1.26	\$3.21
Q1	SCRASBH1209	SCREW,BHSCS,BLACK ZINC,1/4-20 X 0.875",GR 8,W/PATCH	4	\$1.12	\$2.86
R1	DWR1359B003	T-NUT,BLACK,1/4-20 X 0.563",0.50" TH,B-1359-003	4	\$2.92	\$7.45
S1	DWR1306C024	BACK PLATE BRACKET,T-SLOT,1",C-1306-024	4	\$2.27	\$5.78

Notes :

SETASMB part dimensions include 3" or 4" gap (dimensions in parentheses state actual solid back size).



*** Only sizes listed are available for replacement. All other sizes have been discontinued. ***



REF #	PART #	DESCRIPTION	QTY	Dealer \$	11i MSRP
A1	SETASMB6487	SYNERGY STANDARD BACK,29"W,19"H,W/CUSHION,(29"W X 16"H)	1	\$170.45	\$434.65
B1	SETASMB6663	SYNERGY STANDARD BACK,29"W,20"H,W/CUSHION,(29"W X 16"H)	1	\$170.45	\$434.65
C1	SETASMB6506	SYNERGY STANDARD BACK,29"W,21"H,W/CUSHION,(29"W X 18"H)	1	\$178.72	\$455.74
D1	SETASMB6682	SYNERGY STANDARD BACK,29"W,22"H,W/CUSHION,(29"W X 18"H)	1	\$178.72	\$455.74
E1	DWR1359E032T	SEAT BACK,29"W,16"H,SYNERGY STANDARD,E-1359-032	1	\$81.13	\$206.87
F1	DWR1359E034T	SEAT BACK,29"W,18"H,SYNERGY STANDARD,E-1359-034	1	\$84.22	\$214.77
G1	DWR1359E036T	SEAT BACK,29"W,20"H,SYNERGY STANDARD,E-1359-036	1	\$87.24	\$222.46
H1	CUSASMB2362	CUSHION,ASSY,29"W,16"H,SYNERGY STANDARD BACK,E-1359-082	1	\$59.96	\$152.89
I1	CUSASMB2381	CUSHION,ASSY,29"W,18"H,SYNERGY STANDARD BACK,E-1359-081	1	\$65.15	\$166.12
J1	SCRASBH1148	SCREW,BHSCS,BLACK ZINC,1/4-20 X 0.50",W/PATCH	4	\$1.26	\$3.21
K1	SCRASBH1209	SCREW,BHSCS,BLACK ZINC,1/4-20 X 0.875",GR 8,W/PATCH	4	\$1.12	\$2.86
L1	DWR1359B003	T-NUT,BLACK,1/4-20 X 0.563",0.50" TH,B-1359-003	4	\$2.92	\$7.45
M1	DWR1306C024	BACK PLATE BRACKET,T-SLOT,1",C-1306-024	4	\$2.27	\$5.78

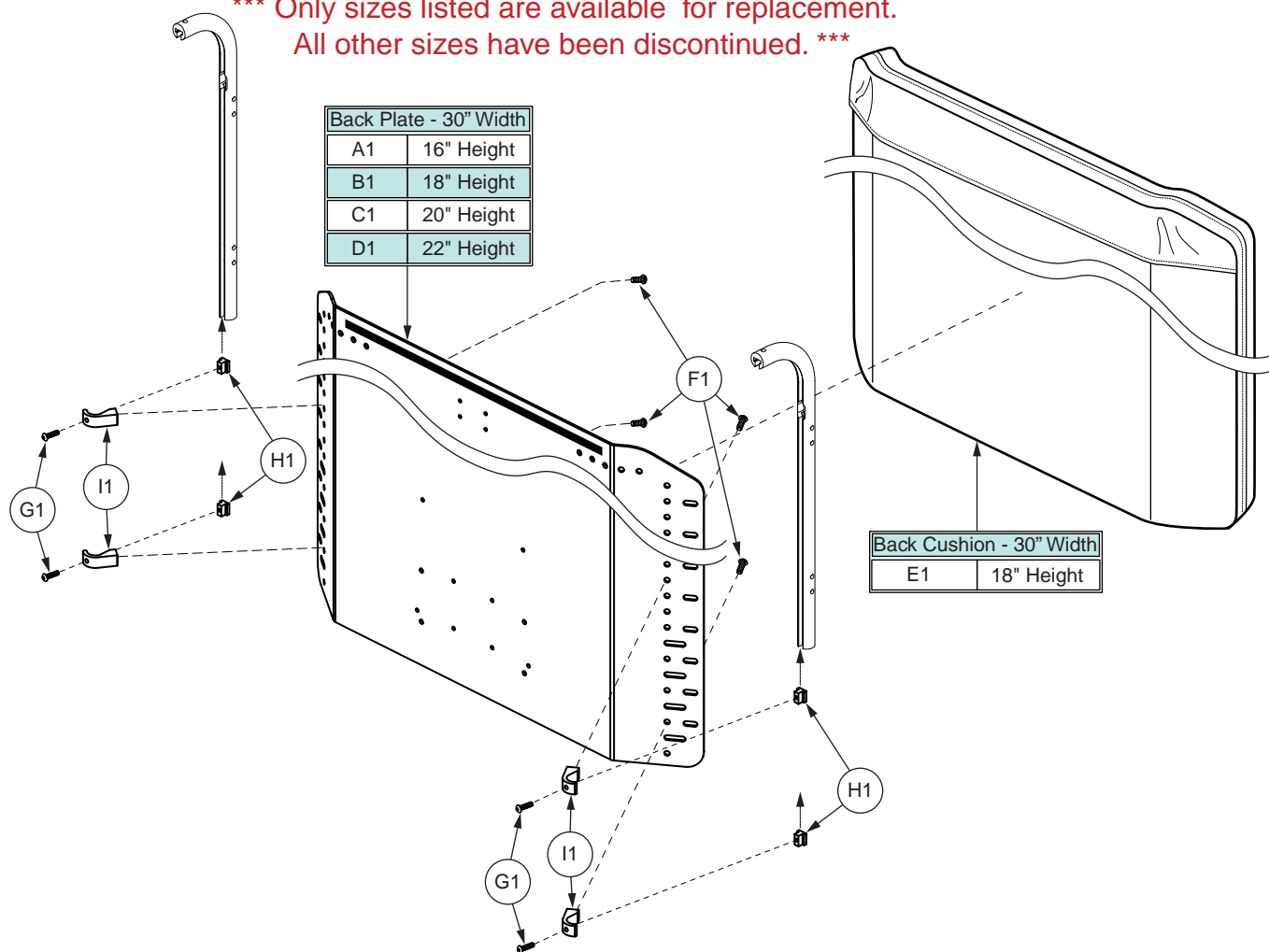
Notes :

SETASMB part dimensions include 3" or 4" gap (dimensions in parentheses state actual solid back size).

XIV. Seat Cushion — Standard Back, 30" Width



*** Only sizes listed are available for replacement.
All other sizes have been discontinued. ***

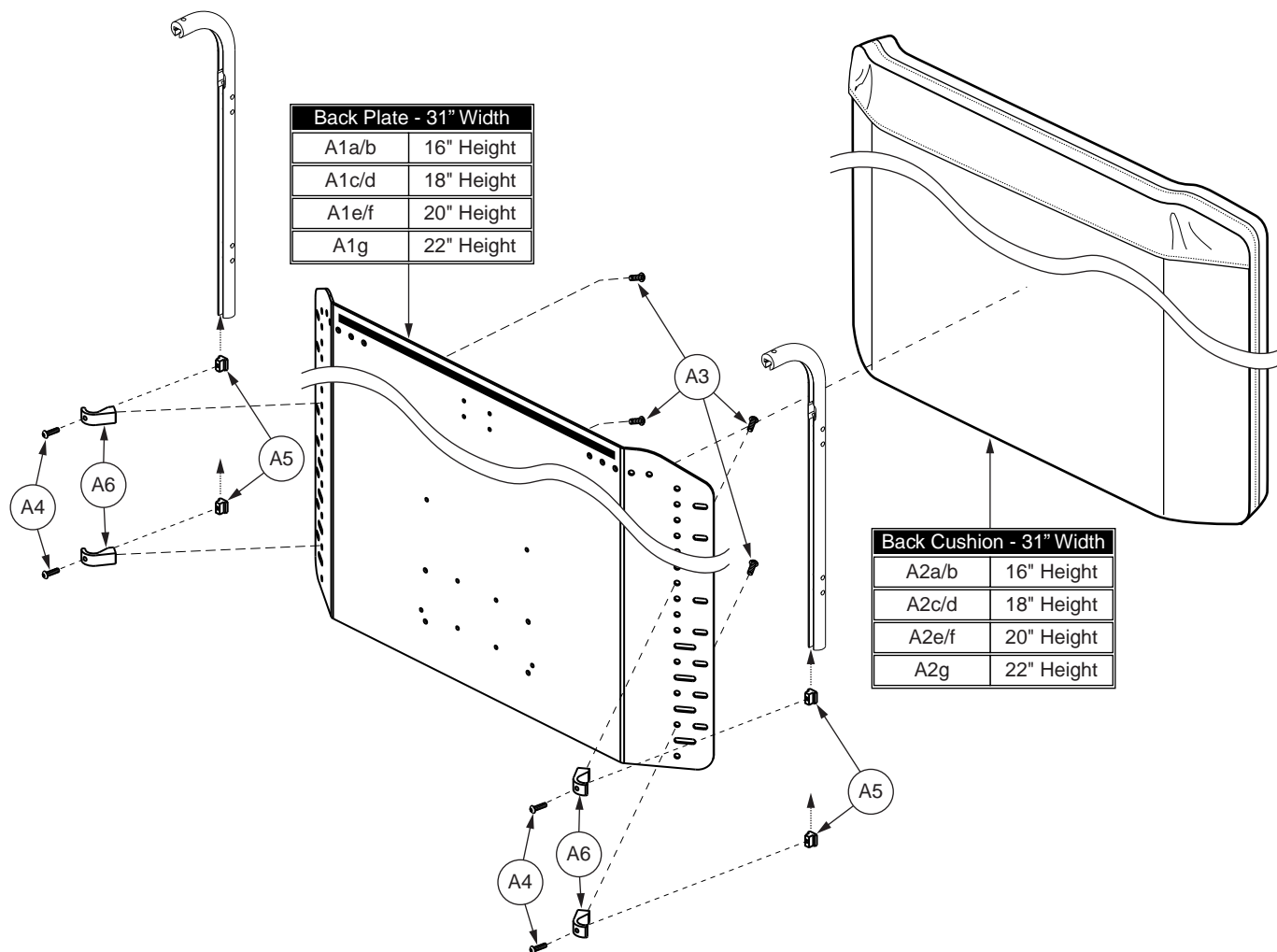


REF #	PART #	DESCRIPTION	QTY	Dealer \$	11i MSRP
A1	DWR1359E032U	SEAT BACK,30"W,16"H,SYNERGY STANDARD,E-1359-032	1	\$81.79	\$208.56
B1	DWR1359E034U	SEAT BACK,30"W,18"H,SYNERGY STANDARD,E-1359-034	1	\$85.02	\$216.79
C1	DWR1359E036U	SEAT BACK,30"W,20"H,SYNERGY STANDARD,E-1359-036	1	\$88.14	\$224.76
D1	DWR1359E045U	SEAT BACK,30"W,22"H,SYNERGY STANDARD,E-1359-045	1	\$89.67	\$228.67
E1	CUSASMB2382	CUSHION,ASSY,30"W,18"H,SYNERGY STANDARD BACK,E-1359-081	1	\$67.02	\$170.91
F1	SCRASBH1148	SCREW,BHSCS,BLACK ZINC,1/4-20 X 0.50",W/PATCH	4	\$1.26	\$3.21
G1	SCRASBH1209	SCREW,BHSCS,BLACK ZINC,1/4-20 X 0.875",GR 8,W/PATCH	4	\$1.12	\$2.86
H1	DWR1359B003	T-NUT,BLACK,1/4-20 X 0.563",0.50" TH,B-1359-003	4	\$2.92	\$7.45
I1	DWR1306C024	BACK PLATE BRACKET,T-SLOT,1",C-1306-024	4	\$2.27	\$5.78

Notes :

SETASMB part dimensions include 3" or 4" gap (dimensions in parentheses state actual solid back size).

XIV. Seat Cushion — Standard Back, 31" Width



REF #	PART #	DESCRIPTION	QTY	Dealer \$	MSRP	11i
A1	SETASMB6489	SYNERGY STANDARD BACK,31"W,19"H,W/CUSHION,(31"W X 16"H)	1	\$175.34	\$447.12	
B1	SETASMB6665	SYNERGY STANDARD BACK,31"W,20"H,W/CUSHION,(31"W X 16"H)	1	\$175.34	\$447.12	
C1	SETASMB6508	SYNERGY STANDARD BACK,31"W,21"H,W/CUSHION,(31"W X 18"H)	1	\$184.07	\$469.38	
D1	SETASMB6684	SYNERGY STANDARD BACK,31"W,22"H,W/CUSHION,(31"W X 18"H)	1	\$184.07	\$469.38	
E1	SETASMB6527	SYNERGY STANDARD BACK,31"W,23"H,W/CUSHION,(31"W X 20"H)	1	\$192.96	\$492.05	
F1	SETASMB6703	SYNERGY STANDARD BACK,31"W,24"H,W/CUSHION,(31"W X 20"H)	1	\$192.96	\$492.05	
G1	SETASMB6546	SYNERGY STANDARD BACK,31"W,25"H,W/CUSHION,(31"W X 22"H)	1	\$201.91	\$514.87	
H1	DWR1359E032V	SEAT BACK,31"W,16"H,SYNERGY STANDARD,E-1359-032	1	\$82.53	\$210.45	
I1	DWR1359E034V	SEAT BACK,31"W,18"H,SYNERGY STANDARD,E-1359-034	1	\$85.76	\$218.68	
J1	DWR1359E036V	SEAT BACK,31"W,20"H,SYNERGY STANDARD,E-1359-036	1	\$89.01	\$226.98	
K1	DWR1359E045V	SEAT BACK,31"W,22"H,SYNERGY STANDARD,E-1359-045	1	\$92.35	\$235.48	
L1	CUSASMB2364	CUSHION,ASSY,31"W,16"H,SYNERGY STANDARD BACK,E-1359-082	1	\$63.45	\$161.8	
M1	CUSASMB2383	CUSHION,ASSY,31"W,18"H,SYNERGY STANDARD BACK,E-1359-081	1	\$68.95	\$175.83	
N1	CUSASMB2402	CUSHION,ASSY,31"W,20"H,SYNERGY STANDARD BACK,E-1359-079	1	\$74.59	\$190.21	
O1	CUSASMB2421	CUSHION,ASSY,31"W,22"H,SYNERGY STANDARD BACK,E-1359-080	1	\$80.2	\$204.51	
P1	SCRASBH1148	SCREW,BHSCS,BLACK ZINC,1/4-20 X 0.50",W/PATCH	4	\$1.26	\$3.21	
Q1	SCRASBH1209	SCREW,BHSCS,BLACK ZINC,1/4-20 X 0.875",GR 8,W/PATCH	4	\$1.12	\$2.86	
R1	DWR1359B003	T-NUT,BLACK,1/4-20 X 0.563",0.50" TH,B-1359-003	4	\$2.92	\$7.45	
S1	DWR1306C024	BACK PLATE BRACKET,T-SLOT,1",C-1306-024	4	\$2.27	\$5.78	

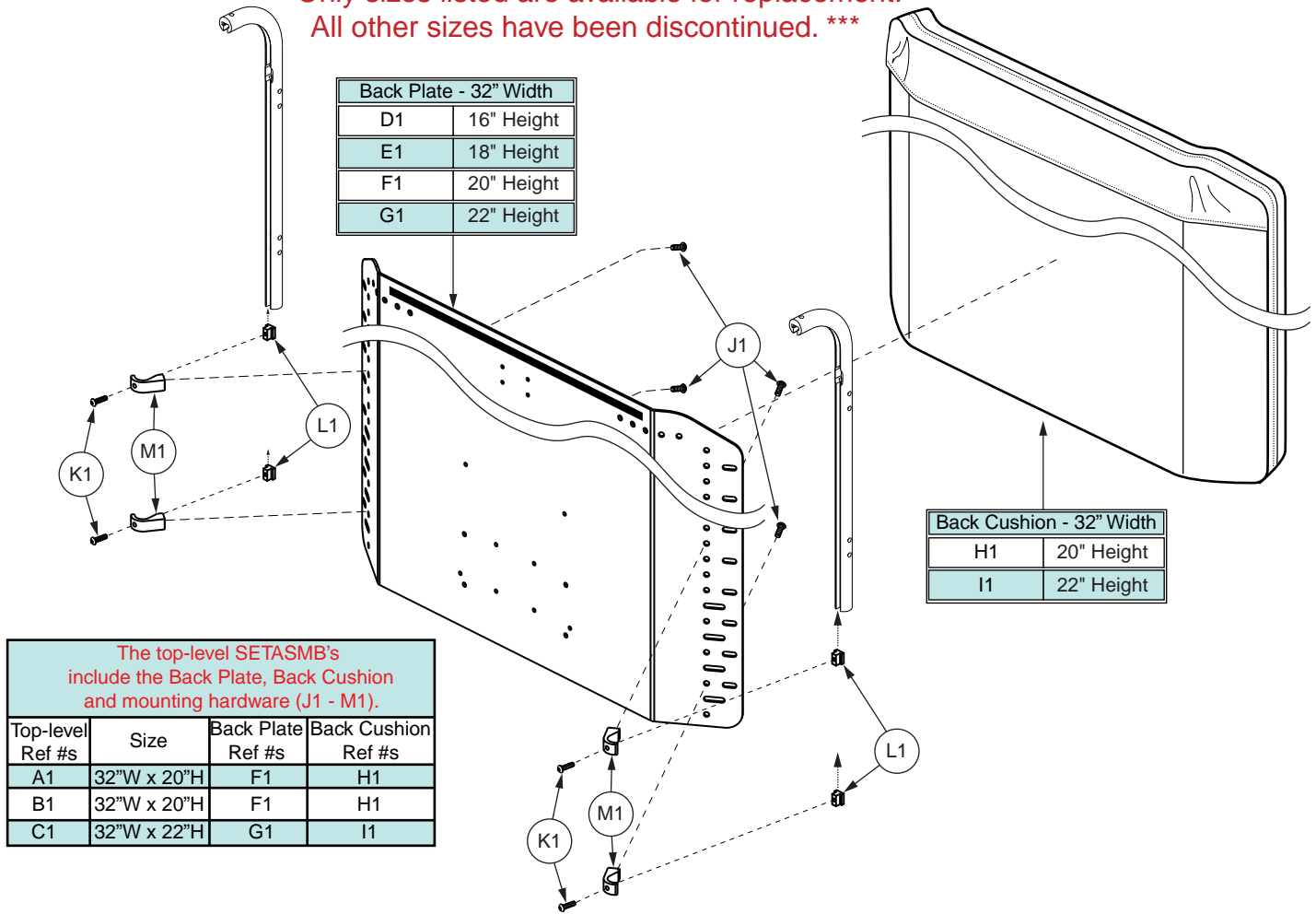
Notes :

SETASMB part dimensions include 3" or 4" gap (dimensions in parentheses state actual solid back size).

XIV. Seat Cushion — Standard Back, 32" Width



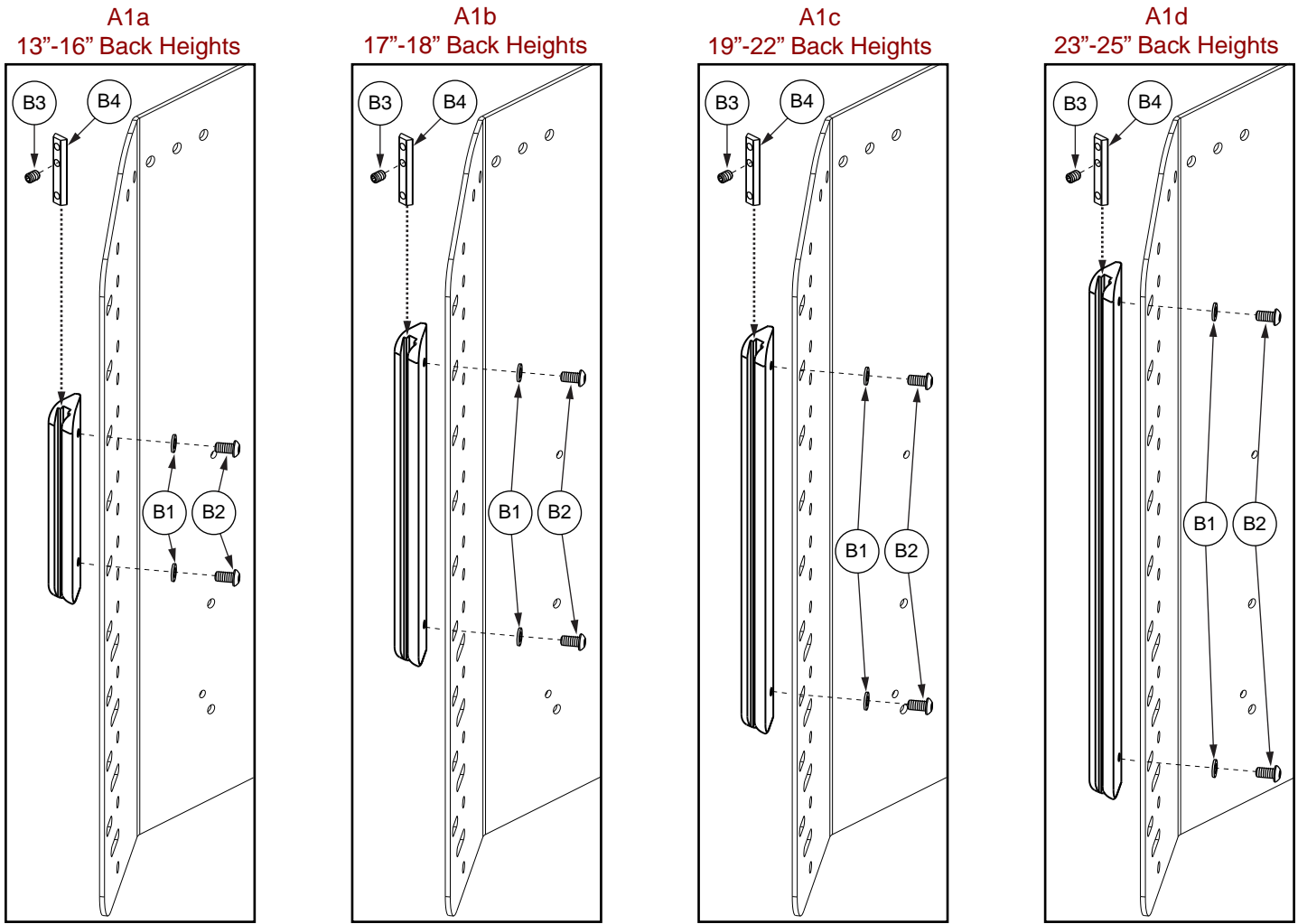
*** Only sizes listed are available for replacement.
All other sizes have been discontinued. ***



REF #	PART #	DESCRIPTION	QTY	Dealer \$	MSRP	11i
A1	SETASMB6528	SYNERGY STANDARD BACK,32"W,23"H,W/CUSHION,(32"W X 20"H)	1	\$195.87	\$499.47	
B1	SETASMB6704	SYNERGY STANDARD BACK,32"W,24"H,W/CUSHION,(32"W X 20"H)	1	\$195.87	\$499.47	
C1	SETASMB6547	SYNERGY STANDARD BACK,32"W,25"H,W/CUSHION,(32"W X 22"H)	1	\$205.16	\$523.16	
D1	DWR1359E032W	SEAT BACK,32"W,16"H,SYNERGY STANDARD,E-1359-032	1	\$86.58	\$220.78	
E1	DWR1359E034W	SEAT BACK,32"W,18"H,SYNERGY STANDARD,E-1359-034	1	\$86.58	\$220.77	
F1	DWR1359E036W	SEAT BACK,32"W,20"H,SYNERGY STANDARD,E-1359-036	1	\$89.89	\$229.21	
G1	DWR1359E045W	SEAT BACK,32"W,22"H,SYNERGY STANDARD,E-1359-045	1	\$93.33	\$237.98	
H1	CUSASMB2403	CUSHION,ASSY,32"W,20"H,SYNERGY STANDARD BACK,E-1359-079	1	\$76.63	\$195.4	
I1	CUSASMB2422	CUSHION,ASSY,32"W,22"H,SYNERGY STANDARD BACK,E-1359-080	1	\$82.47	\$210.31	
J1	SCRASBH1148	SCREW,BHSCS,BLACK ZINC,1/4-20 X 0.50",W/PATCH	4	\$1.26	\$3.21	
K1	SCRASBH1209	SCREW,BHSCS,BLACK ZINC,1/4-20 X 0.875",GR 8,W/PATCH	4	\$1.12	\$2.86	
L1	DWR1359B003	T-NUT,BLACK,1/4-20 X 0.563",0.50" TH,B-1359-003	4	\$2.92	\$7.45	
M1	DWR1306C024	BACK PLATE BRACKET,T-SLOT,1",C-1306-024	4	\$2.27	\$5.78	

Notes :

SETASMB part dimensions include 3" or 4" gap (dimensions in parentheses state actual solid back size).



The track and the mounting hardware is included with the top-level assemblies.

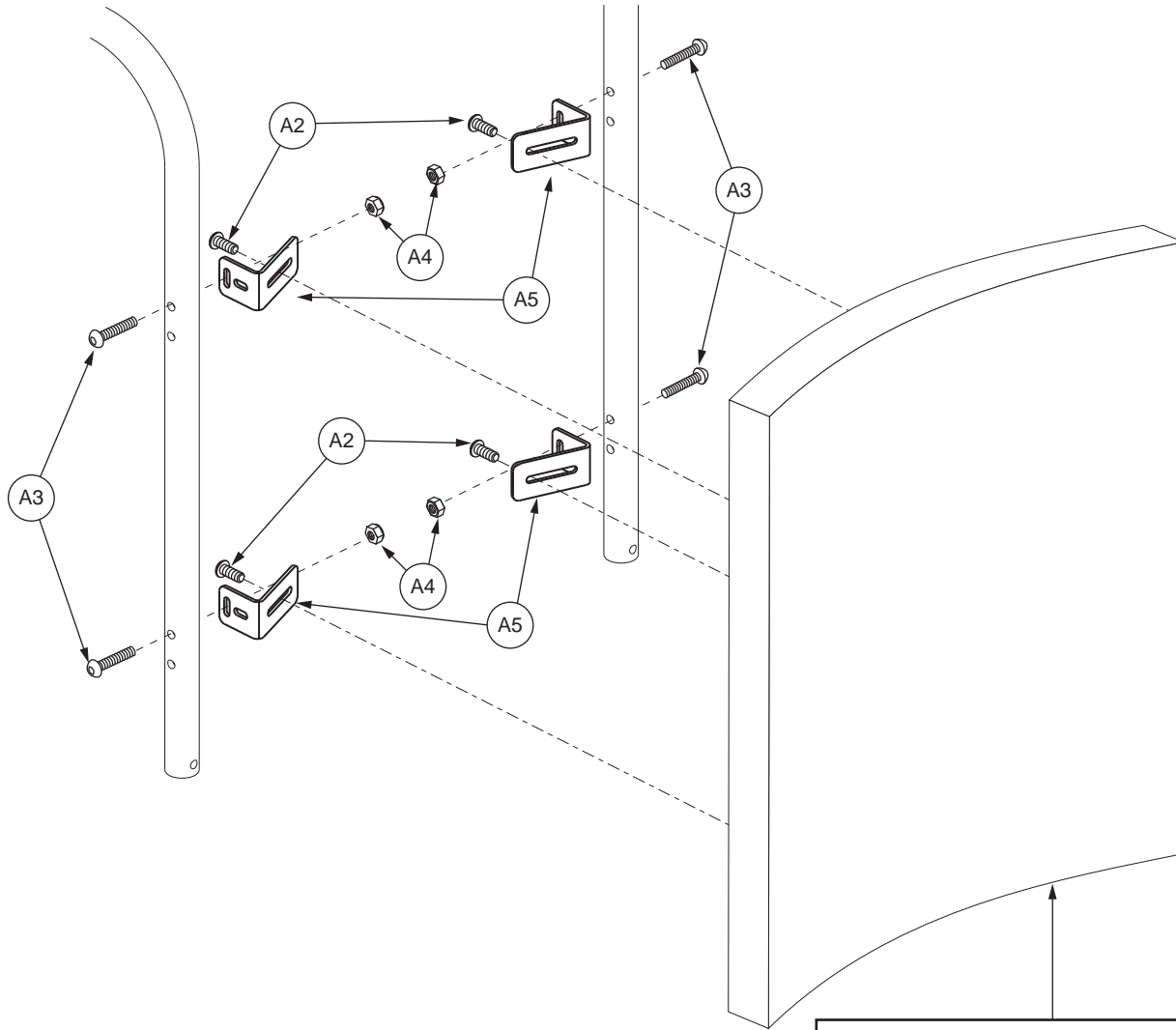
XIV. Seat Cushion — Standard Back Lateral Extensions



REF #	PART #	DESCRIPTION	QTY	Dealer \$	11i MSRP
A1a	FRMASMB16274	LATERAL EXTENSION,ASSY,6",SYNERGY STANDARD BACK	1	\$15	\$25
A1b	FRMASMB16280	LATERAL EXTENSION,ASSY,10",SYNERGY STANDARD BACK	1	\$15	\$25
A1c	FRMASMB16298	LATERAL EXTENSION,ASSY,12",SYNERGY STANDARD BACK	1	\$15	\$25
A1d	FRMASMB16281	LATERAL EXTENSION,ASSY,16",SYNERGY STANDARD BACK	1	\$15	\$25
B1	WASSTND1097	WASHER,FLAT,BLACK ZINC,M6 ID X 12MM OD	2	\$1.16	\$2.95
B2	SCRASBH1148	SCREW,BHSCS,BLACK ZINC,1/4-20 X 0.50",W/PATCH	2	\$1.26	\$3.21
B3	SCRSETS1087	SCREW,SET,BLACK ZINC,1/4-20 X 0.375",CUP POINT,W/PATCH	1	\$1.16	\$2.95
B4	DWR1359C015	LATERAL EXTENSION,SLIDER INSERT,C-1359-015	1	N/A	N/A

Notes :

SETASMB part dimensions include 3" or 4" gap (dimensions in parentheses state actual solid back size).



A1a/b	10" X 9"	A1m/n	14" X 19"
A1c/d	12" X 11"	A1o/p	14" X 21"
A1e/f	13" X 13"	A1q/r	15" X 15"
A1g/h	14" X 13"	A1s/t	15" X 17"
A1i/j	14" X 15"	A1u/v	15" X 19"
A1k/l	14" X 17"	A1w/x	15" X 21"

A1a - A5	10" x 12"	A1g - A5	14" x 16"	A1m - A5	14" x 22"	A1s - A5	15" x 20"
A1b - A5	10" x 13"	A1h - A5	14" x 17"	A1n - A5	14" x 23"	A1t - A5	15" x 21"
A1c - A5	12" x 14"	A1i - A5	14" x 18"	A1o - A5	14" x 24"	A1u - A5	15" x 22"
A1d - A5	12" x 15"	A1j - A5	14" x 19"	A1p - A5	14" x 25"	A1v - A5	15" x 23"
A1e - A5	13" x 16"	A1k - A5	14" x 20"	A1q - A5	15" x 18"	A1w - A5	15" x 24"
A1f - A5	13" x 17"	A1l - A5	14" x 21"	A1r - A5	15" x 19"	A1x - A5	15" x 25"

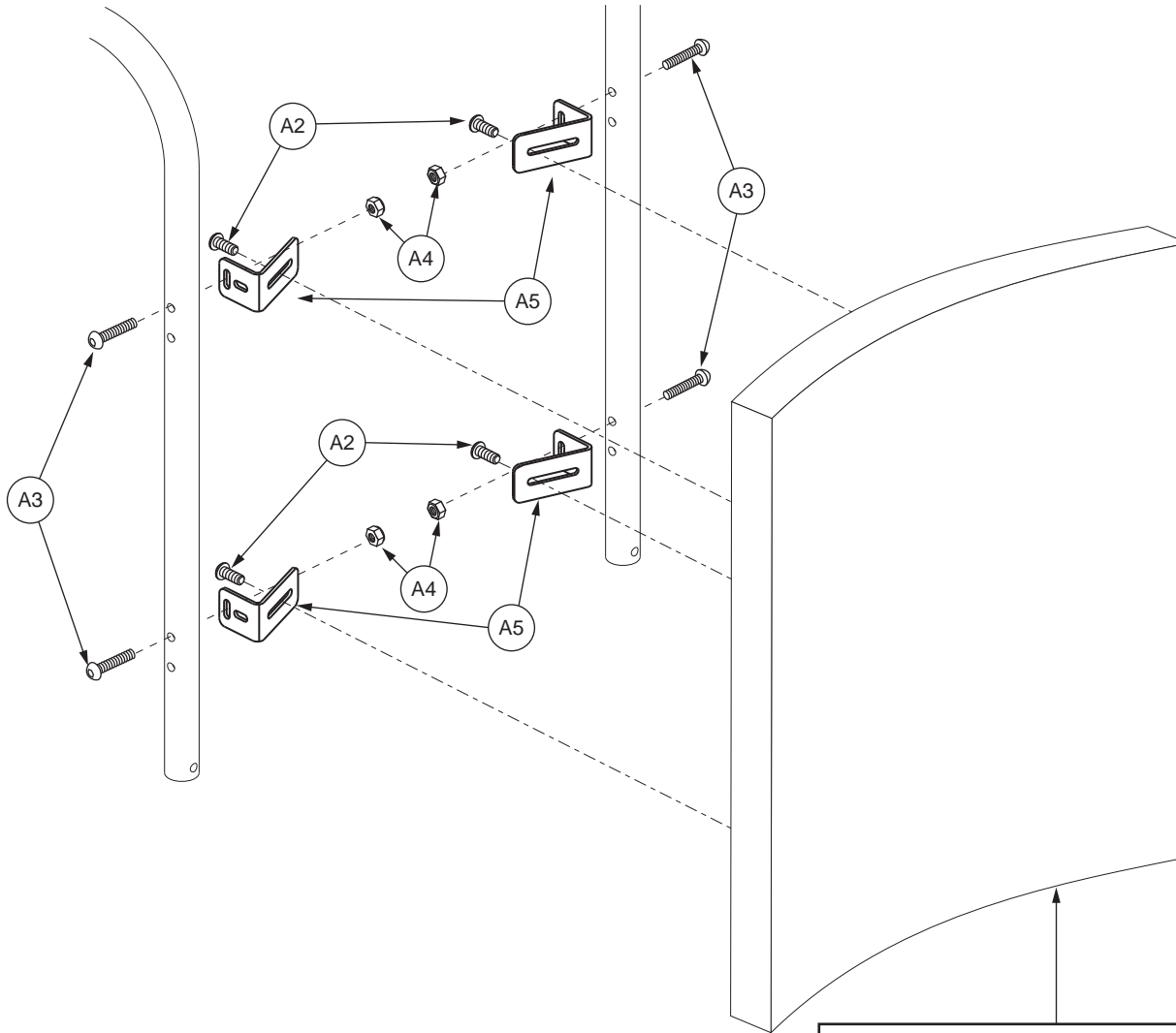
XIV. Seat Cushion — A.R.T. Group Solid Curved Back, 10”-15” Width



REF #	PART #	DESCRIPTION	QTY	Dealer \$	MSRP	11i
A1a - A5	SETASMB5508	SEAT BACK,ASSY,A.R.T SOLID BACK,10"W,12"H,(10"W X 9"H)	1	N/A	N/A	
A1b - A5	SETASMB5509	SEAT BACK,ASSY,A.R.T SOLID BACK,10"W,13"H,(10"W X 9"H)	1	N/A	N/A	
A1c - A5	SETASMB5506	SEAT BACK,ASSY,A.R.T SOLID BACK,12"W,14"H,(12"W X 11"H)	1	N/A	N/A	
A1d - A5	SETASMB5507	SEAT BACK,ASSY,A.R.T SOLID BACK,12"W,15"H,(12"W X 11"H)	1	N/A	N/A	
A1e - A5	SETASMB4120	SEAT BACK,ASSY,A.R.T SOLID BACK,13"W,16"H,(13"W X 13"H)	1	N/A	N/A	
A1f - A5	SETASMB4121	SEAT BACK,ASSY,A.R.T SOLID BACK,13"W,17"H,(13"W X 13"H)	1	N/A	N/A	
A1g - A5	SETASMB5511	SEAT BACK,ASSY,A.R.T SOLID BACK,14"W,16"H,(14"W X 13"H)	1	N/A	N/A	
A1h - A5	SETASMB5512	SEAT BACK,ASSY,A.R.T SOLID BACK,14"W,17"H,(14"W X 13"H)	1	N/A	N/A	
A1i - A5	SETASMB3639	SEAT BACK,ASSY,A.R.T SOLID BACK,14"W,18"H,(14"W X 15"H)	1	N/A	N/A	
A1j - A5	SETASMB3640	SEAT BACK,ASSY,A.R.T SOLID BACK,14"W,19"H,(14"W X 15"H)	1	N/A	N/A	
A1k - A5	SETASMB3641	SEAT BACK,ASSY,A.R.T SOLID BACK,14"W,20"H,(14"W X 17"H)	1	N/A	N/A	
A1l - A5	SETASMB3642	SEAT BACK,ASSY,A.R.T SOLID BACK,14"W,21"H,(14"W X 17"H)	1	N/A	N/A	
A1m - A5	SETASMB3643	SEAT BACK,ASSY,A.R.T SOLID BACK,14"W,22"H,(14"W X 19"H)	1	N/A	N/A	
A1n - A5	SETASMB3644	SEAT BACK,ASSY,A.R.T SOLID BACK,14"W,23"H,(14"W X 19"H)	1	N/A	N/A	
A1o - A5	SETASMB3645	SEAT BACK,ASSY,A.R.T SOLID BACK,14"W,24"H,(14"W X 21"H)	1	N/A	N/A	
A1p - A5	SETASMB3646	SEAT BACK,ASSY,A.R.T SOLID BACK,14"W,25"H,(14"W X 21"H)	1	N/A	N/A	
A1q - A5	SETASMB3647	SEAT BACK,ASSY,A.R.T SOLID BACK,15"W,18"H,(15"W X 15"H)	1	N/A	N/A	
A1r - A5	SETASMB3648	SEAT BACK,ASSY,A.R.T SOLID BACK,15"W,19"H,(15"W X 15"H)	1	N/A	N/A	
A1s - A5	SETASMB3649	SEAT BACK,ASSY,A.R.T SOLID BACK,15"W,20"H,(15"W X 17"H)	1	N/A	N/A	
A1t - A5	SETASMB3650	SEAT BACK,ASSY,A.R.T SOLID BACK,15"W,21"H,(15"W X 17"H)	1	N/A	N/A	
A1u - A5	SETASMB3651	SEAT BACK,ASSY,A.R.T SOLID BACK,15"W,22"H,(15"W X 19"H)	1	N/A	N/A	
A1v - A5	SETASMB3652	SEAT BACK,ASSY,A.R.T SOLID BACK,15"W,23"H,(15"W X 19"H)	1	N/A	N/A	
A1w - A5	SETASMB3653	SEAT BACK,ASSY,A.R.T SOLID BACK,15"W,24"H,(15"W X 21"H)	1	N/A	N/A	
A1x - A5	SETASMB3654	SEAT BACK,ASSY,A.R.T SOLID BACK,15"W,25"H,(15"W X 21"H)	1	N/A	N/A	
A1a/b	SETBACK2197	SEAT BACK,SOLID BACK INSERT,10"W,9"H	1	N/A	N/A	
A1c/d	SETBACK2196	SEAT BACK,SOLID BACK INSERT,12"W,11"H	1	N/A	N/A	
A1e/f	SETBACK1724	SEAT BACK,SOLID BACK INSERT,13"W,13"H	1	N/A	N/A	
A1g/h	SETBACK1889	SEAT BACK,SOLID BACK INSERT,14"W,13"H	1	N/A	N/A	
A1i/j	SETBACK1701	SEAT BACK,SOLID BACK INSERT,14"W,15"H	1	N/A	N/A	
A1k/l	SETBACK1890	SEAT BACK,SOLID BACK INSERT,14"W,17"H	1	N/A	N/A	
A1m/n	SETBACK1891	SEAT BACK,SOLID BACK INSERT,14"W,19"H	1	N/A	N/A	
A1o/p	SETBACK1947	SEAT BACK,SOLID BACK INSERT,14"W,21"H	1	N/A	N/A	
A1q/r	SETBACK1718	SEAT BACK,SOLID BACK INSERT,15"W,15"H	1	N/A	N/A	
A1s/t	SETBACK1948	SEAT BACK,SOLID BACK INSERT,15"W,17"H	1	N/A	N/A	
A1u/v	SETBACK1949	SEAT BACK,SOLID BACK INSERT,15"W,19"H	1	N/A	N/A	
A1w/x	SETBACK1950	SEAT BACK,SOLID BACK INSERT,15"W,21"H	1	N/A	N/A	
A2	SCRASBH1018	SCREW,BHSCS,BLACK ZINC,1/4-20 X 0.625",GRADE 8	4	\$1.1	\$2.81	
A3	SCRASBH1007	SCREW,BHSCS,BLACK ZINC,1/4-20 X 1.50",GRADE 8	4	\$1.12	\$2.86	
A4	NUTNYLK1014	NUT,NYLOCK,BLACK ZINC,1/4-20	4	\$1.16	\$2.96	
A5	DWR1000B224B	MOUNTING BRACKET,AES BACK HD MOUNTING	4	N/A	N/A	

Notes :

Top-level assemblies include components designated with corresponding lower-case letters. Parts without lower-case extensions will be included in all top-level assemblies. SETASMB part dimensions include 3" or 4" gap (dimensions in parentheses state actual solid back size).



A1a/b	16" X 15"	A1m/n	17" X 19"
A1c/d	16" X 17"	A1o/p	17" X 21"
A1e/f	16" X 19"	A1q/r	18" X 15"
A1g/h	16" X 21"	A1s/t	18" X 17"
A1i/j	17" X 15"	A1u/v	18" X 19"
A1k/l	17" X 17"	A1w/x	18" X 21"

A1a - A5	16" x 18"	A1g - A5	16" x 24"	A1m - A5	17" x 22"	A1s - A5	18" x 20"
A1b - A5	16" x 19"	A1h - A5	16" x 25"	A1n - A5	17" x 23"	A1t - A5	18" x 21"
A1c - A5	16" x 20"	A1i - A5	17" x 18"	A1o - A5	17" x 24"	A1u - A5	18" x 22"
A1d - A5	16" x 21"	A1j - A5	17" x 19"	A1p - A5	17" x 25"	A1v - A5	18" x 23"
A1e - A5	16" x 22"	A1k - A5	17" x 20"	A1q - A5	18" x 18"	A1w - A5	18" x 24"
A1f - A5	16" x 23"	A1l - A5	17" x 21"	A1r - A5	18" x 19"	A1x - A5	18" x 25"

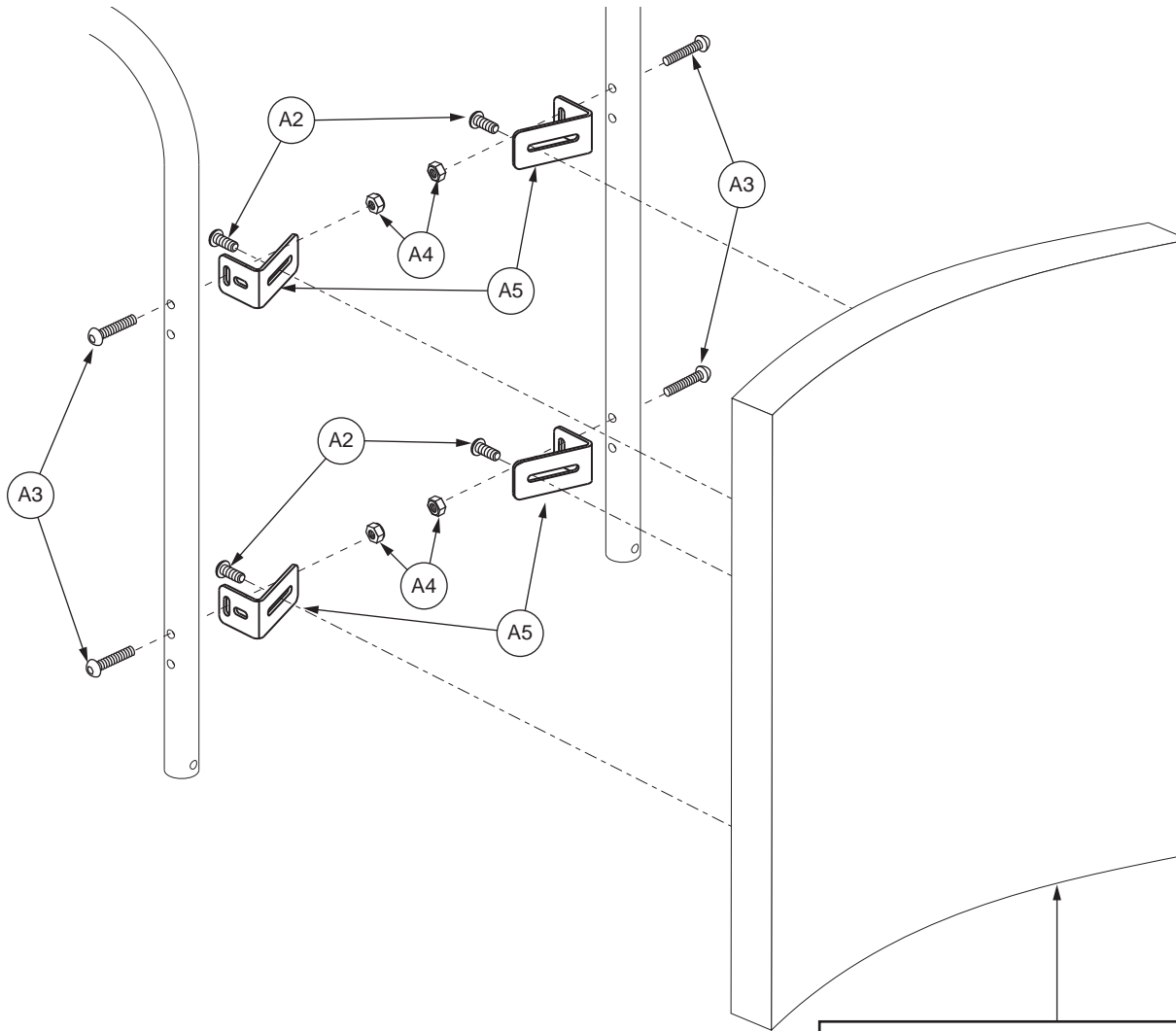
XIV. Seat Cushion — A.R.T. Group Solid Curved Back, 16”-18” Width



REF #	PART #	DESCRIPTION	QTY	Dealer \$	MSRP	11i
A1a - A5	SETASMB3655	SEAT BACK,ASSY,A.R.T SOLID BACK,16"W,18"H,(16"W X 15"H)	1	N/A	N/A	
A1b - A5	SETASMB3656	SEAT BACK,ASSY,A.R.T SOLID BACK,16"W,19"H,(16"W X 15"H)	1	N/A	N/A	
A1c - A5	SETASMB3657	SEAT BACK,ASSY,A.R.T SOLID BACK,16"W,20"H,(16"W X 17"H)	1	N/A	N/A	
A1d - A5	SETASMB3658	SEAT BACK,ASSY,A.R.T SOLID BACK,16"W,21"H,(16"W X 17"H)	1	N/A	N/A	
A1e - A5	SETASMB3659	SEAT BACK,ASSY,A.R.T SOLID BACK,16"W,22"H,(16"W X 19"H)	1	N/A	N/A	
A1f - A5	SETASMB3660	SEAT BACK,ASSY,A.R.T SOLID BACK,16"W,23"H,(16"W X 19"H)	1	N/A	N/A	
A1g - A5	SETASMB3661	SEAT BACK,ASSY,A.R.T SOLID BACK,16"W,24"H,(16"W X 21"H)	1	N/A	N/A	
A1h - A5	SETASMB3662	SEAT BACK,ASSY,A.R.T SOLID BACK,16"W,25"H,(16"W X 21"H)	1	N/A	N/A	
A1i - A5	SETASMB3663	SEAT BACK,ASSY,A.R.T SOLID BACK,17"W,18"H,(17"W X 15"H)	1	N/A	N/A	
A1j - A5	SETASMB3664	SEAT BACK,ASSY,A.R.T SOLID BACK,17"W,19"H,(17"W X 15"H)	1	N/A	N/A	
A1k - A5	SETASMB3665	SEAT BACK,ASSY,A.R.T SOLID BACK,17"W,20"H,(17"W X 17"H)	1	N/A	N/A	
A1l - A5	SETASMB3666	SEAT BACK,ASSY,A.R.T SOLID BACK,17"W,21"H,(17"W X 17"H)	1	N/A	N/A	
A1m - A5	SETASMB3667	SEAT BACK,ASSY,A.R.T SOLID BACK,17"W,22"H,(17"W X 19"H)	1	N/A	N/A	
A1n - A5	SETASMB3668	SEAT BACK,ASSY,A.R.T SOLID BACK,17"W,23"H,(17"W X 19"H)	1	N/A	N/A	
A1o - A5	SETASMB3669	SEAT BACK,ASSY,A.R.T SOLID BACK,17"W,24"H,(17"W X 21"H)	1	N/A	N/A	
A1p - A5	SETASMB3670	SEAT BACK,ASSY,A.R.T SOLID BACK,17"W,25"H,(17"W X 21"H)	1	N/A	N/A	
A1q - A5	SETASMB3671	SEAT BACK,ASSY,A.R.T SOLID BACK,18"W,18"H,(18"W X 15"H)	1	N/A	N/A	
A1r - A5	SETASMB3672	SEAT BACK,ASSY,A.R.T SOLID BACK,18"W,19"H,(18"W X 15"H)	1	N/A	N/A	
A1s - A5	SETASMB3673	SEAT BACK,ASSY,A.R.T SOLID BACK,18"W,20"H,(18"W X 17"H)	1	N/A	N/A	
A1t - A5	SETASMB3674	SEAT BACK,ASSY,A.R.T SOLID BACK,18"W,21"H,(18"W X 17"H)	1	N/A	N/A	
A1u - A5	SETASMB3675	SEAT BACK,ASSY,A.R.T SOLID BACK,18"W,22"H,(18"W X 19"H)	1	N/A	N/A	
A1v - A5	SETASMB3676	SEAT BACK,ASSY,A.R.T SOLID BACK,18"W,23"H,(18"W X 19"H)	1	N/A	N/A	
A1w - A5	SETASMB3677	SEAT BACK,ASSY,A.R.T SOLID BACK,18"W,24"H,(18"W X 21"H)	1	N/A	N/A	
A1x - A5	SETASMB3678	SEAT BACK,ASSY,A.R.T SOLID BACK,18"W,25"H,(18"W X 21"H)	1	N/A	N/A	
A1a/b	SETBACK1677	SEAT BACK,SOLID BACK INSERT,16"W,15"H	1	N/A	N/A	
A1c/d	SETBACK1678	SEAT BACK,SOLID BACK INSERT,16"W,17"H	1	N/A	N/A	
A1e/f	SETBACK1683	SEAT BACK,SOLID BACK INSERT,16"W,19"H	1	N/A	N/A	
A1g/h	SETBACK1685	SEAT BACK,SOLID BACK INSERT,16"W,21"H	1	N/A	N/A	
A1i/j	SETBACK1687	SEAT BACK,SOLID BACK INSERT,17"W,15"H	1	N/A	N/A	
A1k/l	SETBACK1682	SEAT BACK,SOLID BACK INSERT,17"W,17"H	1	N/A	N/A	
A1m/n	SETBACK1674	SEAT BACK,SOLID BACK INSERT,17"W,19"H	1	N/A	N/A	
A1o/p	SETBACK1704	SEAT BACK,SOLID BACK INSERT,17"W,21"H	1	N/A	N/A	
A1q/r	SETBACK1665	SEAT BACK,SOLID BACK INSERT,18"W,15"H	1	N/A	N/A	
A1s/t	SETBACK1666	SEAT BACK,SOLID BACK INSERT,18"W,17"H	1	N/A	N/A	
A1u/v	SETBACK1670	SEAT BACK,SOLID BACK INSERT,18"W,19"H	1	N/A	N/A	
A1w/x	SETBACK1667	SEAT BACK,SOLID BACK INSERT,18"W,21"H	1	N/A	N/A	
A2	SCRASBH1018	SCREW,BHSCS,BLACK ZINC,1/4-20 X 0.625",GRADE 8	4	\$1.1	\$2.81	
A3	SCRASBH1007	SCREW,BHSCS,BLACK ZINC,1/4-20 X 1.50",GRADE 8	4	\$1.12	\$2.86	
A4	NUTNYLK1014	NUT,NYLOCK,BLACK ZINC,1/4-20	4	\$1.16	\$2.96	
A5	DWR1000B224B	MOUNTING BRACKET,AES BACK HD MOUNTING	4	N/A	N/A	

Notes :

Top-level assemblies include components designated with corresponding lower-case letters. Parts without lower-case extensions will be included in all top-level assemblies. SETASMB part dimensions include 3" or 4" gap (dimensions in parentheses state actual solid back size).



A1a/b	19" X 15"	A1m/n	20" X 19"
A1c/d	19" X 17"	A1o/p	20" X 21"
A1e/f	19" X 19"	A1q/r	21" X 15"
A1g/h	19" X 21"	A1s/t	21" X 17"
A1i/j	20" X 15"	A1u/v	21" X 19"
A1k/l	20" X 17"	A1w/x	21" X 21"

A1a - A5	19" x 18"	A1g - A5	19" x 24"	A1m - A5	20" x 22"	A1s - A5	21" x 20"
A1b - A5	19" x 19"	A1h - A5	19" x 25"	A1n - A5	20" x 23"	A1t - A5	21" x 21"
A1c - A5	19" x 20"	A1i - A5	20" x 18"	A1o - A5	20" x 24"	A1u - A5	21" x 22"
A1d - A5	19" x 21"	A1j - A5	20" x 19"	A1p - A5	20" x 25"	A1v - A5	21" x 23"
A1e - A5	19" x 22"	A1k - A5	20" x 20"	A1q - A5	21" x 18"	A1w - A5	21" x 24"
A1f - A5	19" x 23"	A1l - A5	20" x 21"	A1r - A5	21" x 19"	A1x - A5	21" x 25"

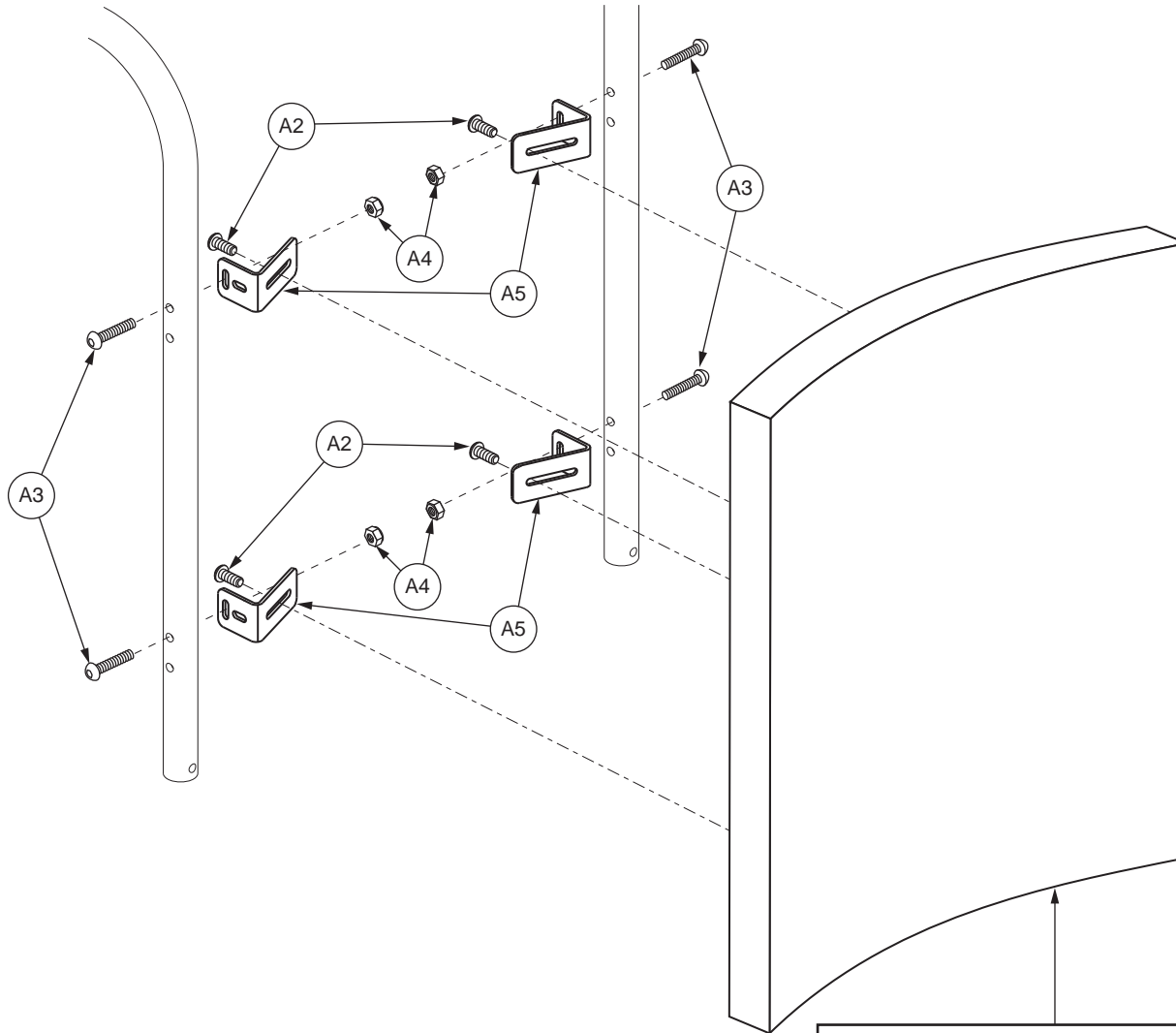
XIV. Seat Cushion — A.R.T. Group Solid Curved Back, 19”-21” Width



REF #	PART #	DESCRIPTION	QTY	Dealer \$	MSRP	11i
A1a - A5	SETASMB3679	SEAT BACK,ASSY,A.R.T SOLID BACK,19"W,18"H,(19"W X 15"H)	1	N/A	N/A	
A1b - A5	SETASMB3680	SEAT BACK,ASSY,A.R.T SOLID BACK,19"W,19"H,(19"W X 15"H)	1	N/A	N/A	
A1c - A5	SETASMB3681	SEAT BACK,ASSY,A.R.T SOLID BACK,19"W,20"H,(19"W X 17"H)	1	N/A	N/A	
A1d - A5	SETASMB3682	SEAT BACK,ASSY,A.R.T SOLID BACK,19"W,21"H,(19"W X 17"H)	1	N/A	N/A	
A1e - A5	SETASMB3683	SEAT BACK,ASSY,A.R.T SOLID BACK,19"W,22"H,(19"W X 19"H)	1	N/A	N/A	
A1f - A5	SETASMB3684	SEAT BACK,ASSY,A.R.T SOLID BACK,19"W,23"H,(19"W X 19"H)	1	N/A	N/A	
A1g - A5	SETASMB3685	SEAT BACK,ASSY,A.R.T SOLID BACK,19"W,24"H,(19"W X 21"H)	1	N/A	N/A	
A1h - A5	SETASMB3686	SEAT BACK,ASSY,A.R.T SOLID BACK,19"W,25"H,(19"W X 21"H)	1	N/A	N/A	
A1i - A5	SETASMB3687	SEAT BACK,ASSY,A.R.T SOLID BACK,20"W,18"H,(20"W X 15"H)	1	N/A	N/A	
A1j - A5	SETASMB3688	SEAT BACK,ASSY,A.R.T SOLID BACK,20"W,19"H,(20"W X 15"H)	1	N/A	N/A	
A1k - A5	SETASMB3689	SEAT BACK,ASSY,A.R.T SOLID BACK,20"W,20"H,(20"W X 17"H)	1	N/A	N/A	
A1l - A5	SETASMB3690	SEAT BACK,ASSY,A.R.T SOLID BACK,20"W,21"H,(20"W X 17"H)	1	N/A	N/A	
A1m - A5	SETASMB3691	SEAT BACK,ASSY,A.R.T SOLID BACK,20"W,22"H,(20"W X 19"H)	1	N/A	N/A	
A1n - A5	SETASMB3692	SEAT BACK,ASSY,A.R.T SOLID BACK,20"W,23"H,(20"W X 19"H)	1	N/A	N/A	
A1o - A5	SETASMB3693	SEAT BACK,ASSY,A.R.T SOLID BACK,20"W,24"H,(20"W X 21"H)	1	N/A	N/A	
A1p - A5	SETASMB3694	SEAT BACK,ASSY,A.R.T SOLID BACK,20"W,25"H,(20"W X 21"H)	1	N/A	N/A	
A1q - A5	SETASMB3695	SEAT BACK,ASSY,A.R.T SOLID BACK,21"W,18"H,(21"W X 15"H)	1	N/A	N/A	
A1r - A5	SETASMB3696	SEAT BACK,ASSY,A.R.T SOLID BACK,21"W,19"H,(21"W X 15"H)	1	N/A	N/A	
A1s - A5	SETASMB3697	SEAT BACK,ASSY,A.R.T SOLID BACK,21"W,20"H,(21"W X 17"H)	1	N/A	N/A	
A1t - A5	SETASMB3698	SEAT BACK,ASSY,A.R.T SOLID BACK,21"W,21"H,(21"W X 17"H)	1	N/A	N/A	
A1u - A5	SETASMB3699	SEAT BACK,ASSY,A.R.T SOLID BACK,21"W,22"H,(21"W X 19"H)	1	N/A	N/A	
A1v - A5	SETASMB3700	SEAT BACK,ASSY,A.R.T SOLID BACK,21"W,23"H,(21"W X 19"H)	1	N/A	N/A	
A1w - A5	SETASMB3701	SEAT BACK,ASSY,A.R.T SOLID BACK,21"W,24"H,(21"W X 21"H)	1	N/A	N/A	
A1x - A5	SETASMB3702	SEAT BACK,ASSY,A.R.T SOLID BACK,21"W,25"H,(21"W X 21"H)	1	N/A	N/A	
A1a/b	SETBACK1696	SEAT BACK,SOLID BACK INSERT,19"W,15"H	1	N/A	N/A	
A1c/d	SETBACK1707	SEAT BACK,SOLID BACK INSERT,19"W,17"H	1	N/A	N/A	
A1e/f	SETBACK1700	SEAT BACK,SOLID BACK INSERT,19"W,19"H	1	N/A	N/A	
A1g/h	SETBACK1673	SEAT BACK,SOLID BACK INSERT,19"W,21"H	1	N/A	N/A	
A1i/j	SETBACK1675	SEAT BACK,SOLID BACK INSERT,20"W,15"H	1	N/A	N/A	
A1k/l	SETBACK1668	SEAT BACK,SOLID BACK INSERT,20"W,17"H	1	N/A	N/A	
A1m/n	SETBACK1669	SEAT BACK,SOLID BACK INSERT,20"W,19"H	1	N/A	N/A	
A1o/p	SETBACK1681	SEAT BACK,SOLID BACK INSERT,20"W,21"H	1	N/A	N/A	
A1q/r	SETBACK1695	SEAT BACK,SOLID BACK INSERT,21"W,15"H	1	N/A	N/A	
A1s/t	SETBACK1676	SEAT BACK,SOLID BACK INSERT,21"W,17"H	1	N/A	N/A	
A1u/v	SETBACK1686	SEAT BACK,SOLID BACK INSERT,21"W,19"H	1	N/A	N/A	
A1w/x	SETBACK1684	SEAT BACK,SOLID BACK INSERT,21"W,21"H	1	N/A	N/A	
A2	SCRASBH1018	SCREW,BHSCS,BLACK ZINC,1/4-20 X 0.625",GRADE 8	4	\$1.1	\$2.81	
A3	SCRASBH1007	SCREW,BHSCS,BLACK ZINC,1/4-20 X 1.50",GRADE 8	4	\$1.12	\$2.86	
A4	NUTNYLK1014	NUT,NYLOCK,BLACK ZINC,1/4-20	4	\$1.16	\$2.96	
A5	DWR1000B224B	MOUNTING BRACKET,AES BACK HD MOUNTING	4	N/A	N/A	

Notes :

Top-level assemblies include components designated with corresponding lower-case letters. Parts without lower-case extensions will be included in all top-level assemblies. SETASMB part dimensions include 3" or 4" gap (dimensions in parentheses state actual solid back size).



A1a/b	22" X 15"	A1m/n	23" X 19"
A1c/d	22" X 17"	A1o/p	23" X 21"
A1e/f	22" X 19"	A1q/r	24" X 15"
A1g/h	22" X 21"	A1s/t	24" X 17"
A1i/j	23" X 15"	A1u/v	24" X 19"
A1k/l	23" X 17"	A1w/x	24" X 21"

A1a - A5	22" x 18"	A1g - A5	22" x 24"	A1m - A5	23" x 22"	A1s - A5	24" x 20"
A1b - A5	22" x 19"	A1h - A5	22" x 25"	A1n - A5	23" x 23"	A1t - A5	24" x 21"
A1c - A5	22" x 20"	A1i - A5	23" x 18"	A1o - A5	23" x 24"	A1u - A5	24" x 22"
A1d - A5	22" x 21"	A1j - A5	23" x 19"	A1p - A5	23" x 25"	A1v - A5	24" x 23"
A1e - A5	22" x 22"	A1k - A5	23" x 20"	A1q - A5	24" x 18"	A1w - A5	24" x 24"
A1f - A5	22" x 23"	A1l - A5	23" x 21"	A1r - A5	24" x 19"	A1x - A5	24" x 25"

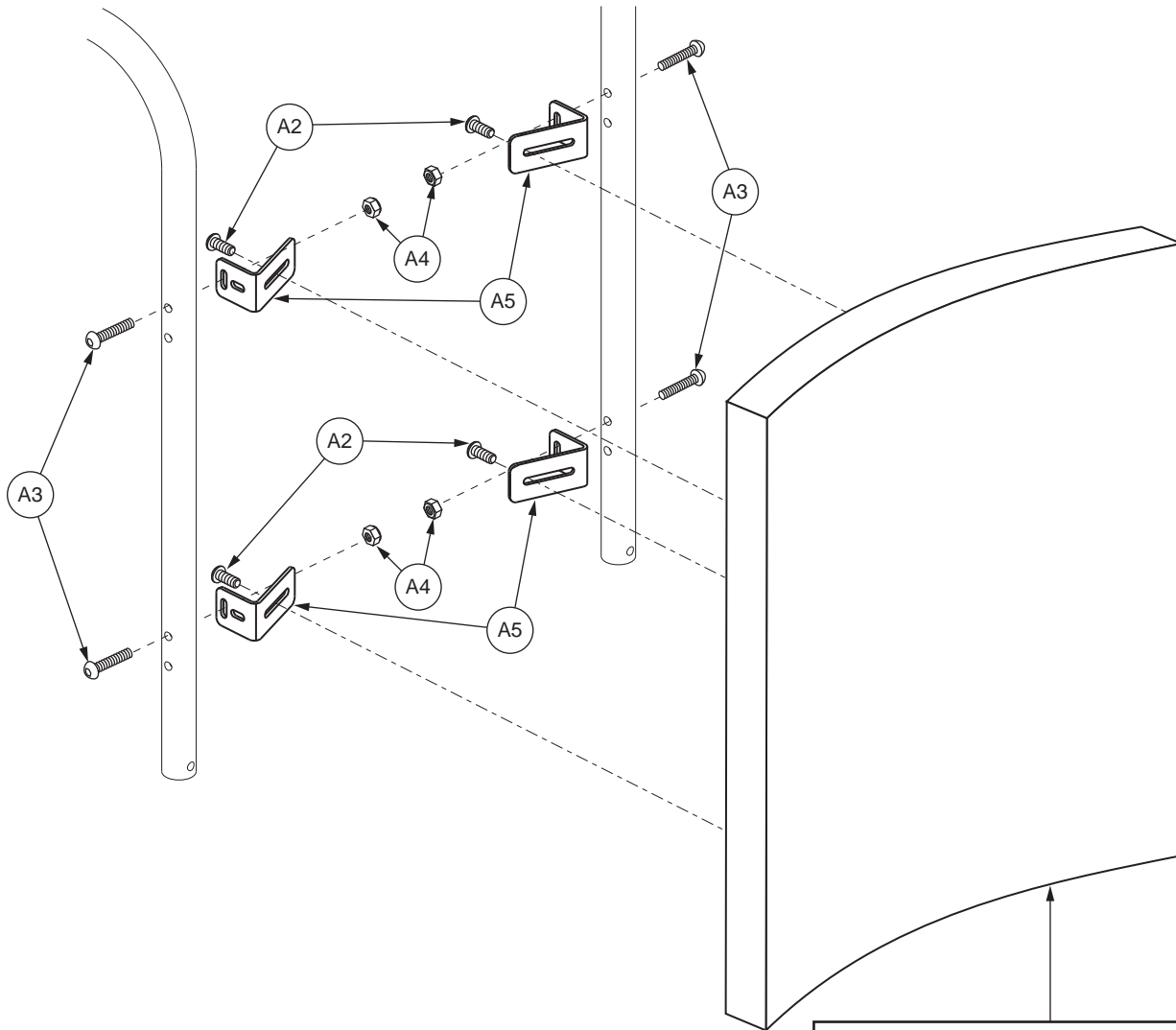
XIV. Seat Cushion — A.R.T. Group Solid Curved Back, 22”-24” Width



REF #	PART #	DESCRIPTION	QTY	Dealer \$	MSRP	11i
A1a - A5	SETASMB3703	SEAT BACK,ASSY,A.R.T SOLID BACK,22"W,18"H,(22"W X 15"H)	1	N/A	N/A	
A1b - A5	SETASMB3704	SEAT BACK,ASSY,A.R.T SOLID BACK,22"W,19"H,(22"W X 15"H)	1	N/A	N/A	
A1c - A5	SETASMB3705	SEAT BACK,ASSY,A.R.T SOLID BACK,22"W,20"H,(22"W X 17"H)	1	N/A	N/A	
A1d - A5	SETASMB3706	SEAT BACK,ASSY,A.R.T SOLID BACK,22"W,21"H,(22"W X 17"H)	1	N/A	N/A	
A1e - A5	SETASMB3707	SEAT BACK,ASSY,A.R.T SOLID BACK,22"W,22"H,(22"W X 19"H)	1	N/A	N/A	
A1f - A5	SETASMB3708	SEAT BACK,ASSY,A.R.T SOLID BACK,22"W,23"H,(22"W X 19"H)	1	N/A	N/A	
A1g - A5	SETASMB3709	SEAT BACK,ASSY,A.R.T SOLID BACK,22"W,24"H,(22"W X 21"H)	1	N/A	N/A	
A1h - A5	SETASMB3710	SEAT BACK,ASSY,A.R.T SOLID BACK,22"W,25"H,(22"W X 21"H)	1	N/A	N/A	
A1i - A5	SETASMB3711	SEAT BACK,ASSY,A.R.T SOLID BACK,23"W,18"H,(23"W X 15"H)	1	N/A	N/A	
A1j - A5	SETASMB3712	SEAT BACK,ASSY,A.R.T SOLID BACK,23"W,19"H,(23"W X 15"H)	1	N/A	N/A	
A1k - A5	SETASMB3713	SEAT BACK,ASSY,A.R.T SOLID BACK,23"W,20"H,(23"W X 17"H)	1	N/A	N/A	
A1l - A5	SETASMB3714	SEAT BACK,ASSY,A.R.T SOLID BACK,23"W,21"H,(23"W X 17"H)	1	N/A	N/A	
A1m - A5	SETASMB3715	SEAT BACK,ASSY,A.R.T SOLID BACK,23"W,22"H,(23"W X 19"H)	1	N/A	N/A	
A1n - A5	SETASMB3716	SEAT BACK,ASSY,A.R.T SOLID BACK,23"W,23"H,(23"W X 19"H)	1	N/A	N/A	
A1o - A5	SETASMB3717	SEAT BACK,ASSY,A.R.T SOLID BACK,23"W,24"H,(23"W X 21"H)	1	N/A	N/A	
A1p - A5	SETASMB3718	SEAT BACK,ASSY,A.R.T SOLID BACK,23"W,25"H,(23"W X 21"H)	1	N/A	N/A	
A1q - A5	SETASMB3719	SEAT BACK,ASSY,A.R.T SOLID BACK,24"W,18"H,(24"W X 15"H)	1	N/A	N/A	
A1r - A5	SETASMB3720	SEAT BACK,ASSY,A.R.T SOLID BACK,24"W,19"H,(24"W X 15"H)	1	N/A	N/A	
A1s - A5	SETASMB3721	SEAT BACK,ASSY,A.R.T SOLID BACK,24"W,20"H,(24"W X 17"H)	1	N/A	N/A	
A1t - A5	SETASMB3722	SEAT BACK,ASSY,A.R.T SOLID BACK,24"W,21"H,(24"W X 17"H)	1	N/A	N/A	
A1u - A5	SETASMB3723	SEAT BACK,ASSY,A.R.T SOLID BACK,24"W,22"H,(24"W X 19"H)	1	N/A	N/A	
A1v - A5	SETASMB3724	SEAT BACK,ASSY,A.R.T SOLID BACK,24"W,23"H,(24"W X 19"H)	1	N/A	N/A	
A1w - A5	SETASMB3725	SEAT BACK,ASSY,A.R.T SOLID BACK,24"W,24"H,(24"W X 21"H)	1	N/A	N/A	
A1x - A5	SETASMB3726	SEAT BACK,ASSY,A.R.T SOLID BACK,24"W,25"H,(24"W X 21"H)	1	N/A	N/A	
A1a/b	SETBACK1702	SEAT BACK,SOLID BACK INSERT,22"W,15"H	1	N/A	N/A	
A1c/d	SETBACK1679	SEAT BACK,SOLID BACK INSERT,22"W,17"H	1	N/A	N/A	
A1e/f	SETBACK1689	SEAT BACK,SOLID BACK INSERT,22"W,19"H	1	N/A	N/A	
A1g/h	SETBACK1672	SEAT BACK,SOLID BACK INSERT,22"W,21"H	1	N/A	N/A	
A1i/j	SETBACK1951	SEAT BACK,SOLID BACK INSERT,23"W,15"H	1	N/A	N/A	
A1k/l	SETBACK1722	SEAT BACK,SOLID BACK INSERT,23"W,17"H	1	N/A	N/A	
A1m/n	SETBACK1952	SEAT BACK,SOLID BACK INSERT,23"W,19"H	1	N/A	N/A	
A1o/p	SETBACK1953	SEAT BACK,SOLID BACK INSERT,23"W,21"H	1	N/A	N/A	
A1q/r	SETBACK1893	SEAT BACK,SOLID BACK INSERT,24"W,15"H	1	N/A	N/A	
A1s/t	SETBACK1717	SEAT BACK,SOLID BACK INSERT,24"W,17"H	1	N/A	N/A	
A1u/v	SETBACK1894	SEAT BACK,SOLID BACK INSERT,24"W,19"H	1	N/A	N/A	
A1w/x	SETBACK1720	SEAT BACK,SOLID BACK INSERT,24"W,21"H	1	N/A	N/A	
A2	SCRASBH1018	SCREW,BHSCS,BLACK ZINC,1/4-20 X 0.625",GRADE 8	4	\$1.1	\$2.81	
A3	SCRASBH1007	SCREW,BHSCS,BLACK ZINC,1/4-20 X 1.50",GRADE 8	4	\$1.12	\$2.86	
A4	NUTNYLK1014	NUT,NYLOCK,BLACK ZINC,1/4-20	4	\$1.16	\$2.96	
A5	DWR1000B224B	MOUNTING BRACKET,AES BACK HD MOUNTING	4	N/A	N/A	

Notes :

Top-level assemblies include components designated with corresponding lower-case letters. Parts without lower-case extensions will be included in all top-level assemblies. SETASMB part dimensions include 3" or 4" gap (dimensions in parentheses state actual solid back size).



A1a/b	25" X 15"	A1i/j	26" X 15"
A1c/d	25" X 17"	A1k/l	26" X 17"
A1e/f	25" X 19"	A1m/n	26" X 19"
A1g/h	25" X 21"	A1o/p	26" X 21"

A1a - A5	25" x 18"	A1e - A5	25" x 22"	A1i - A5	26" x 18"	A1m - A5	26" x 22"
A1b - A5	25" x 19"	A1f - A5	25" x 23"	A1j - A5	26" x 19"	A1n - A5	26" x 23"
A1c - A5	25" x 20"	A1g - A5	25" x 24"	A1k - A5	26" x 20"	A1o - A5	26" x 24"
A1d - A5	25" x 21"	A1h - A5	25" x 25"	A1l - A5	26" x 21"	A1p - A5	26" x 25"

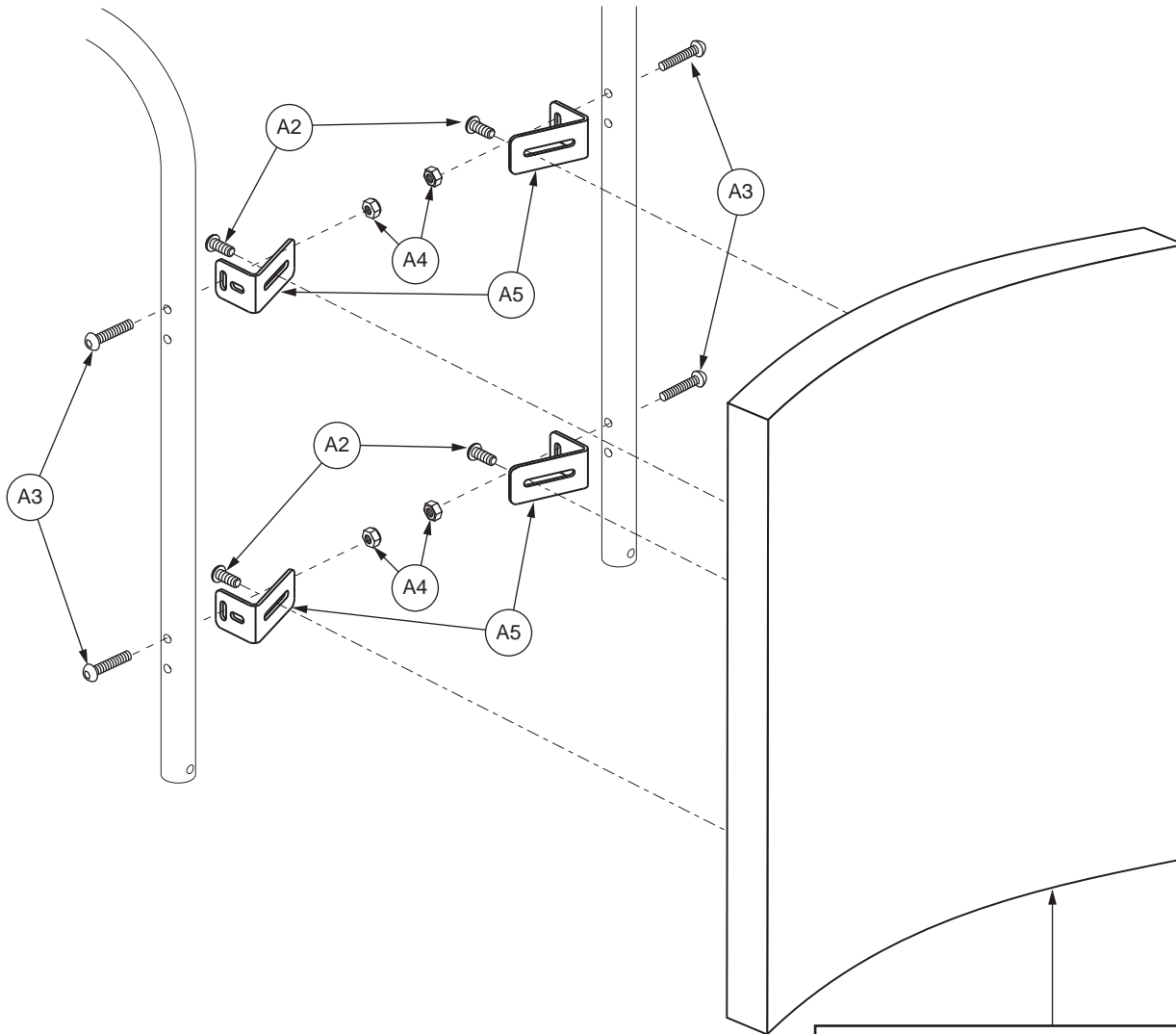
XIV. Seat Cushion — A.R.T. Group Solid Curved Back, 25”-26” Width



REF #	PART #	DESCRIPTION	QTY	Dealer \$	MSRP	11i
A1a - A5	SETASMB4352	SEAT BACK,ASSY,A.R.T SOLID BACK,25"W,18"H,(25"W X 15"H)	1	N/A	N/A	
A1b - A5	SETASMB4353	SEAT BACK,ASSY,A.R.T SOLID BACK,25"W,19"H,(25"W X 15"H)	1	N/A	N/A	
A1c - A5	SETASMB4354	SEAT BACK,ASSY,A.R.T SOLID BACK,25"W,20"H,(25"W X 17"H)	1	N/A	N/A	
A1d - A5	SETASMB4355	SEAT BACK,ASSY,A.R.T SOLID BACK,25"W,21"H,(25"W X 17"H)	1	N/A	N/A	
A1e - A5	SETASMB4356	SEAT BACK,ASSY,A.R.T SOLID BACK,25"W,22"H,(25"W X 19"H)	1	N/A	N/A	
A1f - A5	SETASMB4357	SEAT BACK,ASSY,A.R.T SOLID BACK,25"W,23"H,(25"W X 19"H)	1	N/A	N/A	
A1g - A5	SETASMB4358	SEAT BACK,ASSY,A.R.T SOLID BACK,25"W,24"H,(25"W X 21"H)	1	N/A	N/A	
A1h - A5	SETASMB4359	SEAT BACK,ASSY,A.R.T SOLID BACK,25"W,25"H,(25"W X 21"H)	1	N/A	N/A	
A1i - A5	SETASMB4360	SEAT BACK,ASSY,A.R.T SOLID BACK,26"W,18"H,(26"W X 15"H)	1	N/A	N/A	
A1j - A5	SETASMB4361	SEAT BACK,ASSY,A.R.T SOLID BACK,26"W,19"H,(26"W X 15"H)	1	N/A	N/A	
A1k - A5	SETASMB4362	SEAT BACK,ASSY,A.R.T SOLID BACK,26"W,20"H,(26"W X 17"H)	1	N/A	N/A	
A1l - A5	SETASMB4363	SEAT BACK,ASSY,A.R.T SOLID BACK,26"W,21"H,(26"W X 17"H)	1	N/A	N/A	
A1m - A5	SETASMB4364	SEAT BACK,ASSY,A.R.T SOLID BACK,26"W,22"H,(26"W X 19"H)	1	N/A	N/A	
A1n - A5	SETASMB4365	SEAT BACK,ASSY,A.R.T SOLID BACK,26"W,23"H,(26"W X 19"H)	1	N/A	N/A	
A1o - A5	SETASMB4350	SEAT BACK,ASSY,A.R.T SOLID BACK,26"W,24"H,(26"W X 21"H)	1	N/A	N/A	
A1p - A5	SETASMB4366	SEAT BACK,ASSY,A.R.T SOLID BACK,26"W,25"H,(26"W X 21"H)	1	N/A	N/A	
A1a/b	SETBACK2006	SEAT BACK,SOLID BACK INSERT,25"W,15"H	1	N/A	N/A	
A1c/d	SETBACK2007	SEAT BACK,SOLID BACK INSERT,25"W,17"H	1	N/A	N/A	
A1e/f	SETBACK2008	SEAT BACK,SOLID BACK INSERT,25"W,19"H	1	N/A	N/A	
A1g/h	SETBACK2009	SEAT BACK,SOLID BACK INSERT,25"W,21"H	1	N/A	N/A	
A1i/j	SETBACK2010	SEAT BACK,SOLID BACK INSERT,26"W,15"H	1	N/A	N/A	
A1k/l	SETBACK2011	SEAT BACK,SOLID BACK INSERT,26"W,17"H	1	N/A	N/A	
A1m/n	SETBACK2012	SEAT BACK,SOLID BACK INSERT,26"W,19"H	1	N/A	N/A	
A1o/p	SETBACK2004	SEAT BACK,SOLID BACK INSERT,26"W,21"H	1	N/A	N/A	
A2	SCRASBH1018	SCREW,BHSCS,BLACK ZINC,1/4-20 X 0.625",GRADE 8	4	\$1.1	\$2.81	
A3	SCRASBH1007	SCREW,BHSCS,BLACK ZINC,1/4-20 X 1.50",GRADE 8	4	\$1.12	\$2.86	
A4	NUTNYLK1014	NUT,NYLOCK,BLACK ZINC,1/4-20	4	\$1.16	\$2.96	
A5	DWR1000B224B	MOUNTING BRACKET,AES BACK HD MOUNTING	4	N/A	N/A	

Notes :

Top-level assemblies include components designated with corresponding lower-case letters. Parts without lower-case extensions will be included in all top-level assemblies. SETASMB part dimensions include 3" or 4" gap (dimensions in parentheses state actual solid back size).



A1a/b	27" X 15"	A1i/j	28" X 15"
A1c/d	27" X 17"	A1k/l	28" X 17"
A1e/f	27" X 19"	A1m/n	28" X 19"
A1g/h	27" X 21"	A1o/p	28" X 21"

A1a - A5	27" x 18"	A1e - A5	27" x 22"	A1i - A5	28" x 18"	A1m - A5	28" x 22"
A1b - A5	27" x 19"	A1f - A5	27" x 23"	A1j - A5	28" x 19"	A1n - A5	28" x 23"
A1c - A5	27" x 20"	A1g - A5	27" x 24"	A1k - A5	28" x 20"	A1o - A5	28" x 24"
A1d - A5	27" x 21"	A1h - A5	27" x 25"	A1l - A5	28" x 21"	A1p - A5	28" x 25"

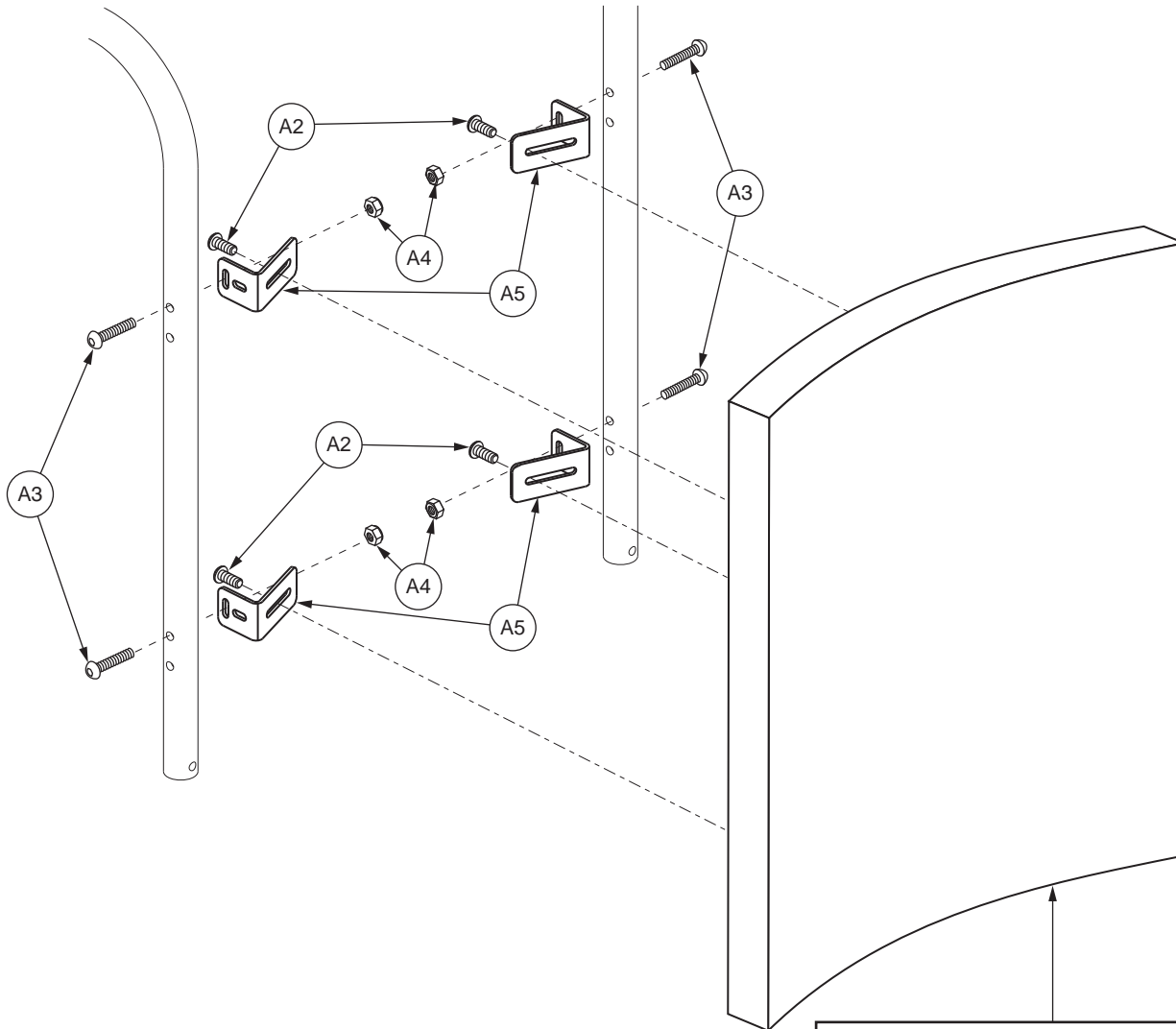
XIV. Seat Cushion — A.R.T. Group Solid Curved Back, 27”-28” Width



REF #	PART #	DESCRIPTION	QTY	Dealer \$	MSRP	11i
A1a - A5	SETASMB4367	SEAT BACK,ASSY,A.R.T SOLID BACK,27"W,18"H,(27"W X 15"H)	1	N/A	N/A	
A1b - A5	SETASMB4368	SEAT BACK,ASSY,A.R.T SOLID BACK,27"W,19"H,(27"W X 15"H)	1	N/A	N/A	
A1c - A5	SETASMB4369	SEAT BACK,ASSY,A.R.T SOLID BACK,27"W,20"H,(27"W X 17"H)	1	N/A	N/A	
A1d - A5	SETASMB4370	SEAT BACK,ASSY,A.R.T SOLID BACK,27"W,21"H,(27"W X 17"H)	1	N/A	N/A	
A1e - A5	SETASMB4371	SEAT BACK,ASSY,A.R.T SOLID BACK,27"W,22"H,(27"W X 19"H)	1	N/A	N/A	
A1f - A5	SETASMB4372	SEAT BACK,ASSY,A.R.T SOLID BACK,27"W,23"H,(27"W X 19"H)	1	N/A	N/A	
A1g - A5	SETASMB4373	SEAT BACK,ASSY,A.R.T SOLID BACK,27"W,24"H,(27"W X 21"H)	1	N/A	N/A	
A1h - A5	SETASMB4374	SEAT BACK,ASSY,A.R.T SOLID BACK,27"W,25"H,(27"W X 21"H)	1	N/A	N/A	
A1i - A5	SETASMB4375	SEAT BACK,ASSY,A.R.T SOLID BACK,28"W,18"H,(28"W X 15"H)	1	N/A	N/A	
A1j - A5	SETASMB4376	SEAT BACK,ASSY,A.R.T SOLID BACK,28"W,19"H,(28"W X 15"H)	1	N/A	N/A	
A1k - A5	SETASMB4377	SEAT BACK,ASSY,A.R.T SOLID BACK,28"W,20"H,(28"W X 17"H)	1	N/A	N/A	
A1l - A5	SETASMB4378	SEAT BACK,ASSY,A.R.T SOLID BACK,28"W,21"H,(28"W X 17"H)	1	N/A	N/A	
A1m - A5	SETASMB4379	SEAT BACK,ASSY,A.R.T SOLID BACK,28"W,22"H,(28"W X 19"H)	1	N/A	N/A	
A1n - A5	SETASMB4380	SEAT BACK,ASSY,A.R.T SOLID BACK,28"W,23"H,(28"W X 19"H)	1	N/A	N/A	
A1o - A5	SETASMB4381	SEAT BACK,ASSY,A.R.T SOLID BACK,28"W,24"H,(28"W X 21"H)	1	N/A	N/A	
A1p - A5	SETASMB4382	SEAT BACK,ASSY,A.R.T SOLID BACK,28"W,25"H,(28"W X 21"H)	1	N/A	N/A	
A1a/b	SETBACK2013	SEAT BACK,SOLID BACK INSERT,27"W,15"H	1	N/A	N/A	
A1c/d	SETBACK2014	SEAT BACK,SOLID BACK INSERT,27"W,17"H	1	N/A	N/A	
A1e/f	SETBACK2015	SEAT BACK,SOLID BACK INSERT,27"W,19"H	1	N/A	N/A	
A1g/h	SETBACK2016	SEAT BACK,SOLID BACK INSERT,27"W,21"H	1	N/A	N/A	
A1i/j	SETBACK2017	SEAT BACK,SOLID BACK INSERT,28"W,15"H	1	N/A	N/A	
A1k/l	SETBACK2018	SEAT BACK,SOLID BACK INSERT,28"W,17"H	1	N/A	N/A	
A1m/n	SETBACK2019	SEAT BACK,SOLID BACK INSERT,28"W,19"H	1	N/A	N/A	
A1o/p	SETBACK2020	SEAT BACK,SOLID BACK INSERT,28"W,21"H	1	N/A	N/A	
A2	SCRASBH1018	SCREW,BHSCS,BLACK ZINC,1/4-20 X 0.625",GRADE 8	4	\$1.1	\$2.81	
A3	SCRASBH1007	SCREW,BHSCS,BLACK ZINC,1/4-20 X 1.50",GRADE 8	4	\$1.12	\$2.86	
A4	NUTNYLK1014	NUT,NYLOCK,BLACK ZINC,1/4-20	4	\$1.16	\$2.96	
A5	DWR1000B224B	MOUNTING BRACKET,AES BACK HD MOUNTING	4	N/A	N/A	

Notes :

Top-level assemblies include components designated with corresponding lower-case letters. Parts without lower-case extensions will be included in all top-level assemblies. SETASMB part dimensions include 3" or 4" gap (dimensions in parentheses state actual solid back size).



A1a/b	29" X 15"	A1i/j	30" X 15"
A1c/d	29" X 17"	A1k/l	30" X 17"
A1e/f	29" X 19"	A1m/n	30" X 19"
A1g/h	29" X 21"	A1o/p	30" X 21"

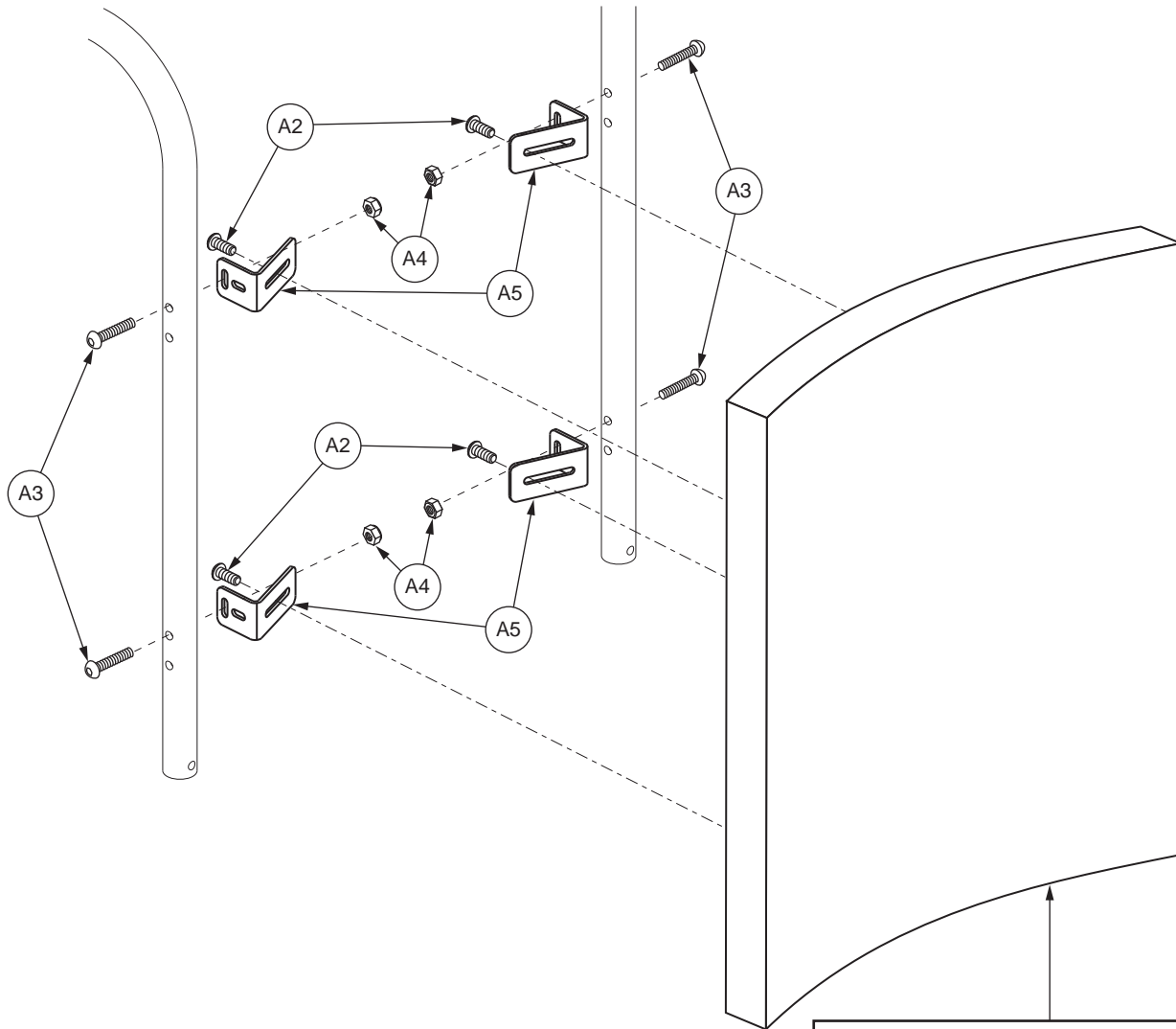
A1a - A5	29" x 18"	A1e - A5	29" x 22"	A1i - A5	30" x 18"	A1m - A5	30" x 22"
A1b - A5	29" x 19"	A1f - A5	29" x 23"	A1j - A5	30" x 19"	A1n - A5	30" x 23"
A1c - A5	29" x 20"	A1g - A5	29" x 24"	A1k - A5	30" x 20"	A1o - A5	30" x 24"
A1d - A5	29" x 21"	A1h - A5	29" x 25"	A1l - A5	30" x 21"	A1p - A5	30" x 25"



REF #	PART #	DESCRIPTION	QTY	Dealer \$	MSRP	11i
A1a - A5	SETASMB4597	SEAT BACK,ASSY,A.R.T SOLID BACK,29"W,18"H,(29"W X 15"H)	1	N/A	N/A	
A1b - A5	SETASMB4598	SEAT BACK,ASSY,A.R.T SOLID BACK,29"W,19"H,(29"W X 15"H)	1	N/A	N/A	
A1c - A5	SETASMB4599	SEAT BACK,ASSY,A.R.T SOLID BACK,29"W,20"H,(29"W X 17"H)	1	N/A	N/A	
A1d - A5	SETASMB4600	SEAT BACK,ASSY,A.R.T SOLID BACK,29"W,21"H,(29"W X 17"H)	1	N/A	N/A	
A1e - A5	SETASMB4601	SEAT BACK,ASSY,A.R.T SOLID BACK,29"W,22"H,(29"W X 19"H)	1	N/A	N/A	
A1f - A5	SETASMB4602	SEAT BACK,ASSY,A.R.T SOLID BACK,29"W,23"H,(29"W X 19"H)	1	N/A	N/A	
A1g - A5	SETASMB4603	SEAT BACK,ASSY,A.R.T SOLID BACK,29"W,24"H,(29"W X 21"H)	1	N/A	N/A	
A1h - A5	SETASMB4604	SEAT BACK,ASSY,A.R.T SOLID BACK,29"W,25"H,(29"W X 21"H)	1	N/A	N/A	
A1i - A5	SETASMB4605	SEAT BACK,ASSY,A.R.T SOLID BACK,30"W,18"H,(30"W X 15"H)	1	N/A	N/A	
A1j - A5	SETASMB4606	SEAT BACK,ASSY,A.R.T SOLID BACK,30"W,19"H,(30"W X 15"H)	1	N/A	N/A	
A1k - A5	SETASMB4607	SEAT BACK,ASSY,A.R.T SOLID BACK,30"W,20"H,(30"W X 17"H)	1	N/A	N/A	
A1l - A5	SETASMB4608	SEAT BACK,ASSY,A.R.T SOLID BACK,30"W,21"H,(30"W X 17"H)	1	N/A	N/A	
A1m - A5	SETASMB4609	SEAT BACK,ASSY,A.R.T SOLID BACK,30"W,22"H,(30"W X 19"H)	1	N/A	N/A	
A1n - A5	SETASMB4610	SEAT BACK,ASSY,A.R.T SOLID BACK,30"W,23"H,(30"W X 19"H)	1	N/A	N/A	
A1o - A5	SETASMB4611	SEAT BACK,ASSY,A.R.T SOLID BACK,30"W,24"H,(30"W X 21"H)	1	N/A	N/A	
A1p - A5	SETASMB4612	SEAT BACK,ASSY,A.R.T SOLID BACK,30"W,25"H,(30"W X 21"H)	1	N/A	N/A	
A1a/b	SETBACK2050	SEAT BACK,SOLID BACK INSERT,29"W,15"H	1	N/A	N/A	
A1c/d	SETBACK2051	SEAT BACK,SOLID BACK INSERT,29"W,17"H	1	N/A	N/A	
A1e/f	SETBACK2052	SEAT BACK,SOLID BACK INSERT,29"W,19"H	1	N/A	N/A	
A1g/h	SETBACK2053	SEAT BACK,SOLID BACK INSERT,29"W,21"H	1	N/A	N/A	
A1i/j	SETBACK2054	SEAT BACK,SOLID BACK INSERT,30"W,15"H	1	N/A	N/A	
A1k/l	SETBACK2055	SEAT BACK,SOLID BACK INSERT,30"W,17"H	1	N/A	N/A	
A1m/n	SETBACK2056	SEAT BACK,SOLID BACK INSERT,30"W,19"H	1	N/A	N/A	
A1o/p	SETBACK2057	SEAT BACK,SOLID BACK INSERT,30"W,21"H	1	N/A	N/A	
A2	SCRASBH1018	SCREW,BHSCS,BLACK ZINC,1/4-20 X 0.625",GRADE 8	4	\$1.1	\$2.81	
A3	SCRASBH1007	SCREW,BHSCS,BLACK ZINC,1/4-20 X 1.50",GRADE 8	4	\$1.12	\$2.86	
A4	NUTNYLK1014	NUT,NYLOCK,BLACK ZINC,1/4-20	4	\$1.16	\$2.96	
A5	DWR1000B224B	MOUNTING BRACKET,AES BACK HD MOUNTING	4	N/A	N/A	

Notes :

Top-level assemblies include components designated with corresponding lower-case letters. Parts without lower-case extensions will be included in all top-level assemblies. SETASMB part dimensions include 3" or 4" gap (dimensions in parentheses state actual solid back size).



A1a/b	31" X 15"	A1i/j	32" X 15"
A1c/d	31" X 17"	A1k/l	32" X 17"
A1e/f	31" X 19"	A1m/n	32" X 19"
A1g/h	31" X 21"	A1o/p	32" X 21"

A1a - A5	31" x 18"	A1e - A5	31" x 22"	A1i - A5	32" x 18"	A1m - A5	32" x 22"
A1b - A5	31" x 19"	A1f - A5	31" x 23"	A1j - A5	32" x 19"	A1n - A5	32" x 23"
A1c - A5	31" x 20"	A1g - A5	31" x 24"	A1k - A5	32" x 20"	A1o - A5	32" x 24"
A1d - A5	31" x 21"	A1h - A5	31" x 25"	A1l - A5	32" x 21"	A1p - A5	32" x 25"

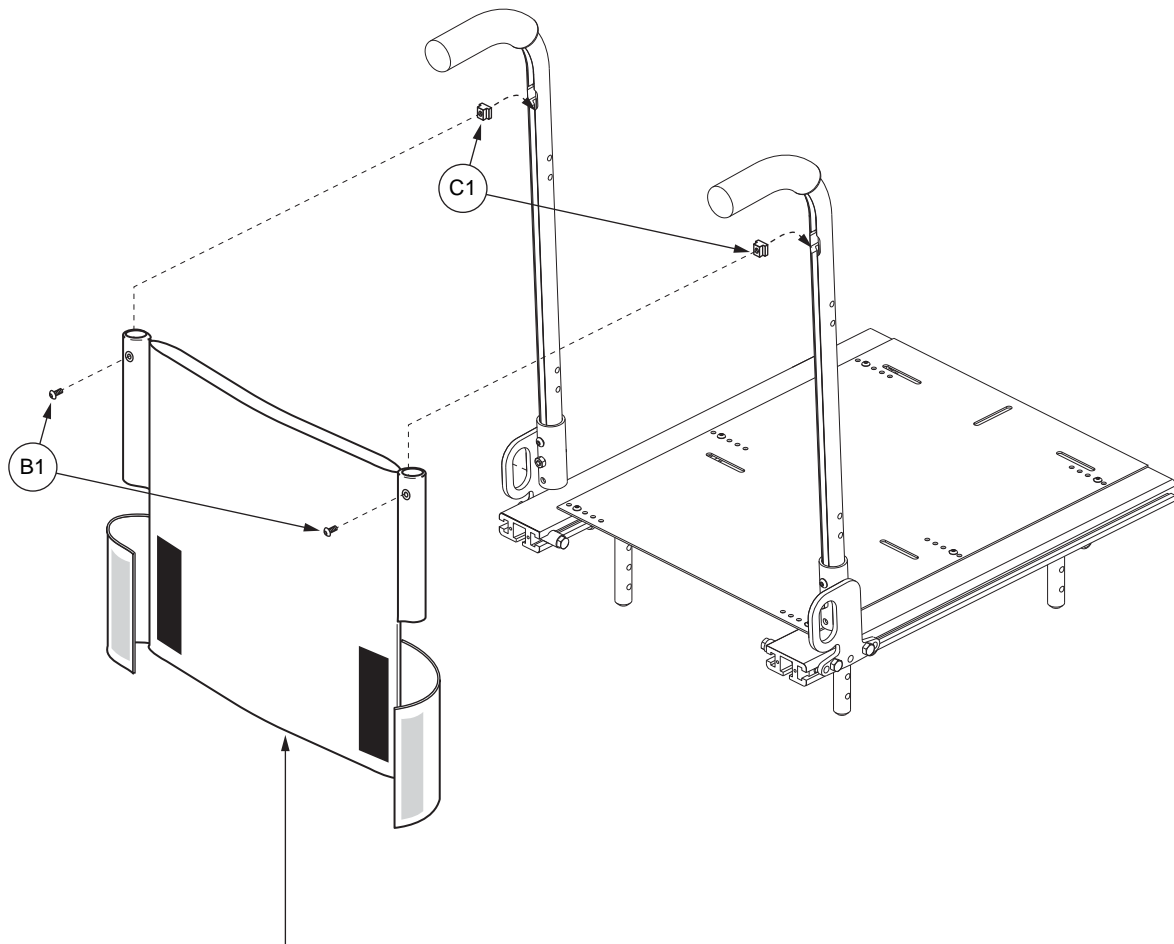
XIV. Seat Cushion — A.R.T. Group Solid Curved Back, 31”-32” Width



REF #	PART #	DESCRIPTION	QTY	Dealer \$	MSRP	11i
A1a - A5	SETASMB4613	SEAT BACK,ASSY,A.R.T SOLID BACK,31"W,18"H,(31"W X 15"H)	1	N/A	N/A	
A1b - A5	SETASMB4614	SEAT BACK,ASSY,A.R.T SOLID BACK,31"W,19"H,(31"W X 15"H)	1	N/A	N/A	
A1c - A5	SETASMB4615	SEAT BACK,ASSY,A.R.T SOLID BACK,31"W,20"H,(31"W X 17"H)	1	N/A	N/A	
A1d - A5	SETASMB4616	SEAT BACK,ASSY,A.R.T SOLID BACK,31"W,21"H,(31"W X 17"H)	1	N/A	N/A	
A1e - A5	SETASMB4617	SEAT BACK,ASSY,A.R.T SOLID BACK,31"W,22"H,(31"W X 19"H)	1	N/A	N/A	
A1f - A5	SETASMB4618	SEAT BACK,ASSY,A.R.T SOLID BACK,31"W,23"H,(31"W X 19"H)	1	N/A	N/A	
A1g - A5	SETASMB4619	SEAT BACK,ASSY,A.R.T SOLID BACK,31"W,24"H,(31"W X 21"H)	1	N/A	N/A	
A1h - A5	SETASMB4620	SEAT BACK,ASSY,A.R.T SOLID BACK,31"W,25"H,(31"W X 21"H)	1	N/A	N/A	
A1i - A5	SETASMB4621	SEAT BACK,ASSY,A.R.T SOLID BACK,32"W,18"H,(32"W X 15"H)	1	N/A	N/A	
A1j - A5	SETASMB4622	SEAT BACK,ASSY,A.R.T SOLID BACK,32"W,19"H,(32"W X 15"H)	1	N/A	N/A	
A1k - A5	SETASMB4623	SEAT BACK,ASSY,A.R.T SOLID BACK,32"W,20"H,(32"W X 17"H)	1	N/A	N/A	
A1l - A5	SETASMB4624	SEAT BACK,ASSY,A.R.T SOLID BACK,32"W,21"H,(32"W X 17"H)	1	N/A	N/A	
A1m - A5	SETASMB4625	SEAT BACK,ASSY,A.R.T SOLID BACK,32"W,22"H,(32"W X 19"H BACK)	1	N/A	N/A	
A1n - A5	SETASMB4626	SEAT BACK,ASSY,A.R.T SOLID BACK,32"W,23"H,(32"W X 19"H)	1	N/A	N/A	
A1o - A5	SETASMB4627	SEAT BACK,ASSY,A.R.T SOLID BACK,32"W,24"H,(32"W X 21"H)	1	N/A	N/A	
A1p - A5	SETASMB4628	SEAT BACK,ASSY,A.R.T SOLID BACK,32"W,25"H,(32"W X 21"H)	1	N/A	N/A	
A1a/b	SETBACK2058	SEAT BACK,SOLID BACK INSERT,31"W,15"H	1	N/A	N/A	
A1c/d	SETBACK2059	SEAT BACK,SOLID BACK INSERT,31"W,17"H	1	N/A	N/A	
A1e/f	SETBACK2060	SEAT BACK,SOLID BACK INSERT,31"W,19"H	1	N/A	N/A	
A1g/h	SETBACK2061	SEAT BACK,SOLID BACK INSERT,31"W,21"H	1	N/A	N/A	
A1i/j	SETBACK2062	SEAT BACK,SOLID BACK INSERT,32"W,15"H	1	N/A	N/A	
A1k/l	SETBACK2063	SEAT BACK,SOLID BACK INSERT,32"W,17"H)	1	N/A	N/A	
A1m/n	SETBACK2064	SEAT BACK,SOLID BACK INSERT,32"W,19"H	1	N/A	N/A	
A1o/p	SETBACK2065	SEAT BACK,SOLID BACK INSERT,32"W,21"H	1	N/A	N/A	
A2	SCRASBH1018	SCREW,BHSCS,BLACK ZINC,1/4-20 X 0.625",GRADE 8	4	\$1.1	\$2.81	
A3	SCRASBH1007	SCREW,BHSCS,BLACK ZINC,1/4-20 X 1.50",GRADE 8	4	\$1.12	\$2.86	
A4	NUTNYLK1014	NUT,NYLOCK,BLACK ZINC,1/4-20	4	\$1.16	\$2.96	
A5	DWR1000B224B	MOUNTING BRACKET,AES BACK HD MOUNTING	4	N/A	N/A	

Notes :

Top-level assemblies include components designated with corresponding lower-case letters. Parts without lower-case extensions will be included in all top-level assemblies. SETASMB part dimensions include 3" or 4" gap (dimensions in parentheses state actual solid back size).

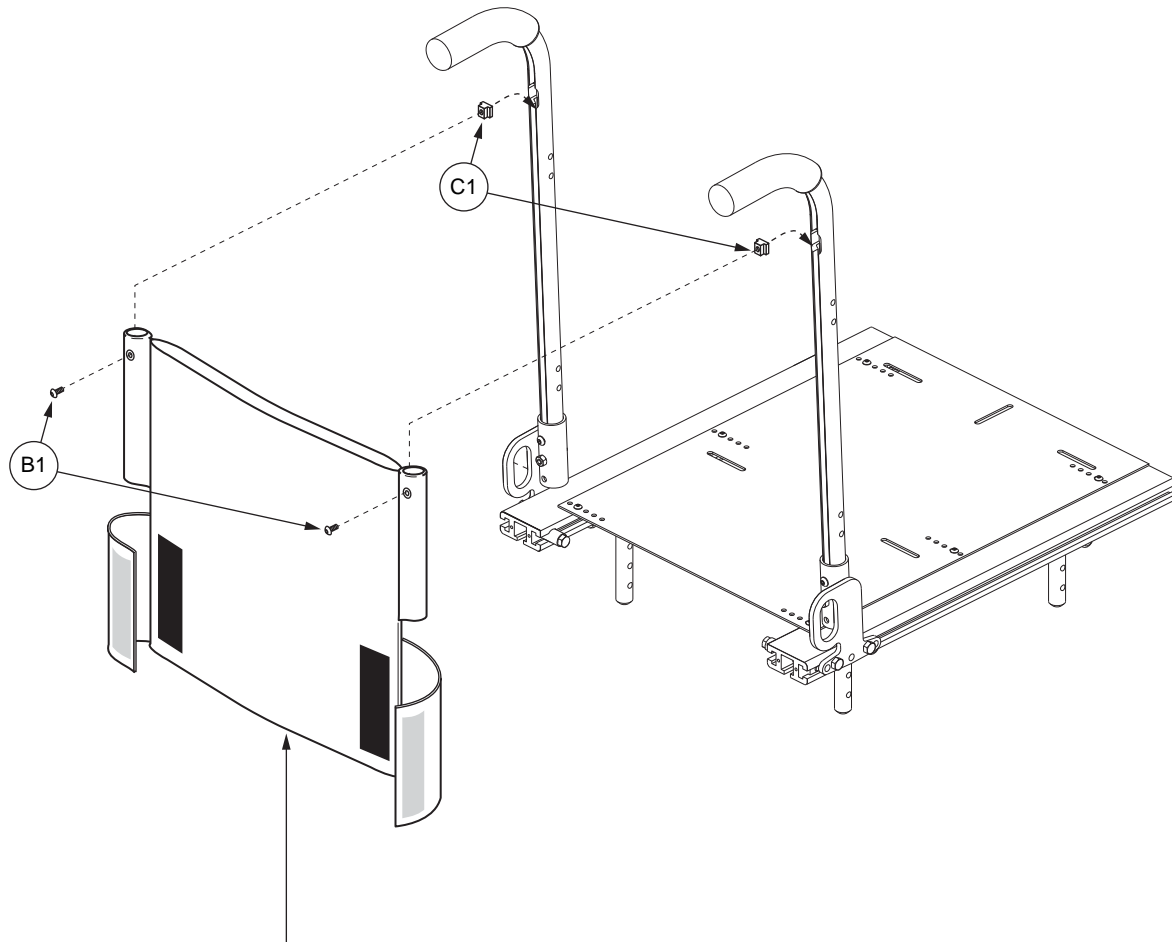


A1a	13 X 15	A1m	16 X 15	A1y	19 X 15	A1kk	22 X 15
A1b	13 X 17	A1n	16 X 17	A1z	19 X 17	A1ll	22 X 17
A1c	13 X 19	A1o	16 X 19	A1aa	19 X 19	A1mm	22 X 19
A1d	13 X 21	A1p	16 X 21	A1bb	19 X 21	A1nn	22 X 21
A1e	14 X 15	A1q	17 X 15	A1cc	20 X 15	A1oo	23 X 15
A1f	14 X 17	A1r	17 X 17	A1dd	20 X 17	A1pp	23 X 17
A1g	14 X 19	A1s	17 X 19	A1ee	20 X 19	A1qq	23 X 19
A1h	14 X 21	A1t	17 X 21	A1ff	20 X 21	A1rr	23 X 21
A1i	15 X 15	A1u	18 X 15	A1gg	21 X 15	A1ss	24 X 15
A1j	15 X 17	A1v	18 X 17	A1hh	21 X 17	A1tt	24 X 17
A1k	15 X 19	A1w	18 X 19	A1ii	21 X 19	A1uu	24 X 19
A1l	15 X 21	A1x	18 X 21	A1jj	21 X 21	A1vv	24 X 21

XIV. Seat Cushion — Sling Back



REF #	PART #	DESCRIPTION	QTY	Dealer \$	11i MSRP
A1a	SETBACK1841	SEAT BACK,SLING,13"W,15"H	1	\$65.05	\$165.87
A1b	SETBACK1842	SEAT BACK,SLING,13"W,17"H	1	N/A	N/A
A1c	SETBACK1843	SEAT BACK,SLING,13"W,19"H	1	N/A	N/A
A1d	SETBACK1844	SEAT BACK,SLING,13"W,21"H	1	N/A	N/A
A1e	SETBACK1845	SEAT BACK,SLING,14"W,15"H	1	\$40.79	\$104.02
A1f	SETBACK1846	SEAT BACK,SLING,14"W,17"H	1	\$63.95	\$163.06
A1g	SETBACK1847	SEAT BACK,SLING,14"W,19"H	1	\$71.66	\$182.74
A1h	SETBACK1848	SEAT BACK,SLING,14"W,21"H	1	\$71.66	\$182.74
A1i	SETBACK1849	SEAT BACK,SLING,15"W,15"H	1	\$65.05	\$165.87
A1j	SETBACK1850	SEAT BACK,SLING,15"W,17"H	1	\$71.66	\$182.74
A1k	SETBACK1851	SEAT BACK,SLING,15"W,19"H	1	\$71.66	\$182.74
A1l	SETBACK1852	SEAT BACK,SLING,15"W,21"H	1	\$71.66	\$182.74
A1m	SETBACK1853	SEAT BACK,SLING,16"W,15"H	1	\$65.05	\$165.87
A1n	SETBACK1854	SEAT BACK,SLING,16"W,17"H	1	\$49.31	\$125.74
A1o	SETBACK1855	SEAT BACK,SLING,16"W,19"H	1	\$67.14	\$171.21
A1p	SETBACK1856	SEAT BACK,SLING,16"W,21"H	1	\$71.66	\$182.74
A1q	SETBACK1857	SEAT BACK,SLING,17"W,15"H	1	\$63.95	\$163.06
A1r	SETBACK1858	SEAT BACK,SLING,17"W,17"H	1	\$71.66	\$182.74
A1s	SETBACK1859	SEAT BACK,SLING,17"W,19"H	1	\$71.66	\$182.74
A1t	SETBACK1860	SEAT BACK,SLING,17"W,21"H	1	\$71.66	\$182.74
A1u	SETBACK1861	SEAT BACK,SLING,18"W,15"H	1	\$69.67	\$177.65
A1v	SETBACK1862	SEAT BACK,SLING,18"W,17"H	1	\$49.04	\$125.05
A1w	SETBACK1863	SEAT BACK,SLING,18"W,19"H	1	\$46.05	\$117.43
A1x	SETBACK1864	SEAT BACK,SLING,18"W,21"H	1	\$63.95	\$163.06
A1y	SETBACK1865	SEAT BACK,SLING,19"W,15"H	1	\$63.95	\$163.06
A1z	SETBACK1866	SEAT BACK,SLING,19"W,17"H	1	\$63.95	\$163.06
A1aa	SETBACK1867	SEAT BACK,SLING,19"W,19"H	1	\$43	\$109.64
A1bb	SETBACK1868	SEAT BACK,SLING,19"W,21"H	1	\$71.66	\$182.74
A1cc	SETBACK1869	SEAT BACK,SLING,20"W,15"H	1	\$68.3	\$174.16
A1dd	SETBACK1870	SEAT BACK,SLING,20"W,17"H	1	\$46.7	\$119.1
A1ee	SETBACK1871	SEAT BACK,SLING,20"W,19"H	1	\$50.29	\$128.23
A1ff	SETBACK1872	SEAT BACK,SLING,20"W,21"H	1	\$63.95	\$163.06
A1gg	SETBACK1873	SEAT BACK,SLING,21"W,15"H	1	\$67.14	\$171.21
A1hh	SETBACK1874	SEAT BACK,SLING,21"W,17"H	1	\$41.9	\$106.83
A1ii	SETBACK1875	SEAT BACK,SLING,21"W,19"H	1	\$71.66	\$182.74
A1jj	SETBACK1876	SEAT BACK,SLING,21"W,21"H	1	N/A	N/A
A1kk	SETBACK1877	SEAT BACK,SLING,22"W,15"H	1	\$40.79	\$104.02
A1ll	SETBACK1878	SEAT BACK,SLING,22"W,17"H	1	\$41.9	\$106.83
A1mm	SETBACK1879	SEAT BACK,SLING,22"W,19"H	1	\$43	\$109.64
A1nn	SETBACK1880	SEAT BACK,SLING,22"W,21"H	1	\$43	\$109.64
A1oo	SETBACK1881	SEAT BACK,SLING,23"W,15"H	1	N/A	N/A
A1pp	SETBACK1882	SEAT BACK,SLING,23"W,17"H	1	\$71.66	\$182.74
A1qq	SETBACK1883	SEAT BACK,SLING,23"W,19"H	1	\$71.66	\$182.74
A1rr	SETBACK1884	SEAT BACK,SLING,23"W,21"H	1	\$71.66	\$182.74
A1ss	SETBACK1885	SEAT BACK,SLING,24"W,15"H	1	\$40.79	\$104.02
A1tt	SETBACK1886	SEAT BACK,SLING,24"W,17"H	1	\$63.95	\$163.06
A1uu	SETBACK1887	SEAT BACK,SLING,24"W,19"H	1	\$43	\$109.64
A1vv	SETBACK1888	SEAT BACK,ASSY,SLING,24"W,21"H	1	\$43	\$109.64
B1	SCRASBH1018	SCREW,BHSCS,BLACK ZINC,1/4-20 X 0.625",GRADE 8	2	\$1.1	\$2.81
C1	DWR1360A002	T-NUT,1/4-20 X 0.5625",A-1360-002	2	\$1.38	\$3.51



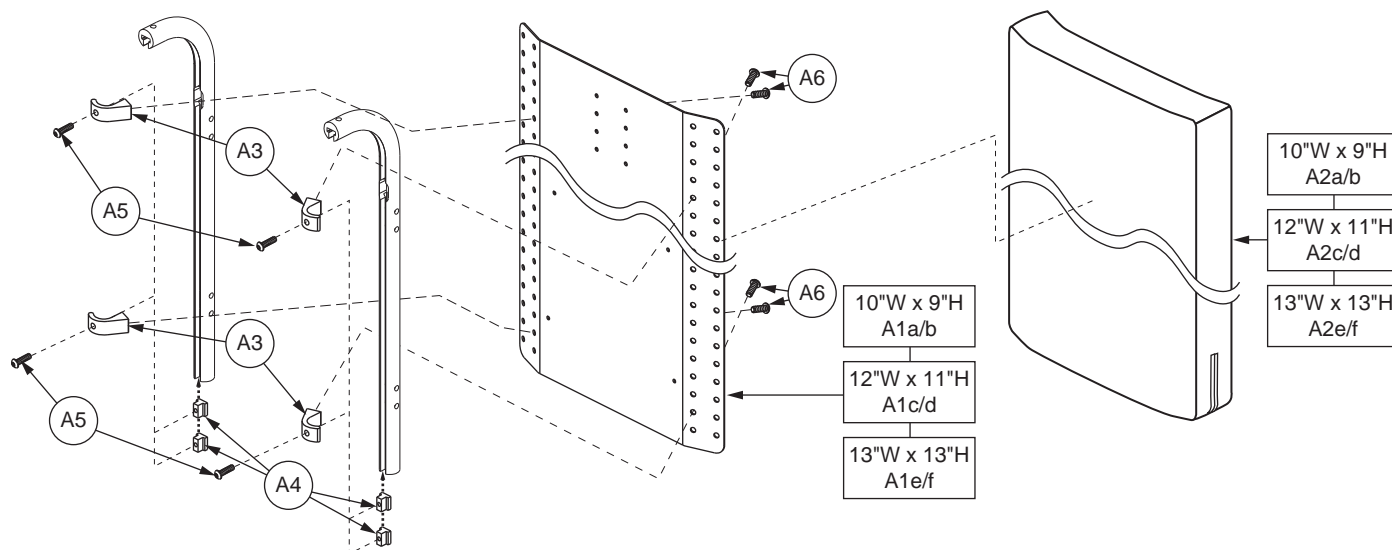
A1a	24 X 15	A1j	26 X 17	A1s	28 X 19	A1bb	30 X 21
A1b	24 X 17	A1k	26 X 19	A1t	28 X 21	A1cc	31 X 15
A1c	24 X 19	A1l	26 X 21	A1u	29 X 15	A1dd	31 X 17
A1d	24 X 21	A1m	27 X 15	A1v	29 X 17	A1ee	31 X 19
A1e	25 X 15	A1n	27 X 17	A1w	29 X 19	A1ff	31 X 21
A1f	25 X 17	A1o	27 X 19	A1x	29 X 21	A1gg	32 X 15
A1g	25 X 19	A1p	27 X 21	A1y	30 X 15	A1hh	32 X 17
A1h	25 X 21	A1q	28 X 15	A1z	30 X 17	A1ii	32 X 19
A1i	26 X 15	A1r	28 X 17	A1aa	30 X 19	A1jj	32 X 21

XIV. Seat Cushion — Sling Back, Heavy Duty



REF #	PART #	DESCRIPTION	QTY	Dealer \$	MSRP	11i
A1a	SETBACK2158	SEAT BACK,SLING,HEAVY DUTY,24"W,15"H	1	\$65.05	\$165.87	
A1b	SETBACK2159	SEAT BACK,SLING,HEAVY DUTY,24"W,17"H	1	\$65.05	\$165.87	
A1c	SETBACK2160	SEAT BACK,SLING,HEAVY DUTY,24"W,19"H	1	\$65.05	\$165.87	
A1d	SETBACK2161	SEAT BACK,SLING,HEAVY DUTY,24"W,21"H	1	\$68.3	\$174.16	
A1e	SETBACK2162	SEAT BACK,SLING,HEAVY DUTY,25"W,15"H	1	\$67.25	\$171.49	
A1f	SETBACK2163	SEAT BACK,SLING,HEAVY DUTY,25"W,17"H	1	\$67.25	\$171.49	
A1g	SETBACK2164	SEAT BACK,SLING,HEAVY DUTY,25"W,19"H	1	\$67.25	\$171.49	
A1h	SETBACK2165	SEAT BACK,SLING,HEAVY DUTY,25"W,21"H	1	\$67.25	\$171.49	
A1i	SETBACK2166	SEAT BACK,SLING,HEAVY DUTY,26"W,15"H	1	\$70.56	\$179.93	
A1j	SETBACK2167	SEAT BACK,SLING,HEAVY DUTY,26"W,17"H	1	\$70.56	\$179.93	
A1k	SETBACK2168	SEAT BACK,SLING,HEAVY DUTY,26"W,19"H	1	\$70.56	\$179.93	
A1l	SETBACK2169	SEAT BACK,SLING,HEAVY DUTY,26"W,21"H	1	\$70.56	\$179.93	
A1m	SETBACK2170	SEAT BACK,SLING,HEAVY DUTY,27"W,15"H	1	\$72.77	\$185.55	
A1n	SETBACK2171	SEAT BACK,SLING,HEAVY DUTY,27"W,17"H	1	\$72.77	\$185.55	
A1o	SETBACK2172	SEAT BACK,SLING,HEAVY DUTY,27"W,19"H	1	\$72.77	\$185.55	
A1p	SETBACK2173	SEAT BACK,SLING,HEAVY DUTY,27"W,21"H	1	\$72.77	\$185.55	
A1q	SETBACK2174	SEAT BACK,SLING,HEAVY DUTY,28"W,15"H	1	\$74.97	\$191.17	
A1r	SETBACK2175	SEAT BACK,SLING,HEAVY DUTY,28"W,17"H	1	\$74.97	\$191.17	
A1s	SETBACK2176	SEAT BACK,SLING,HEAVY DUTY,28"W,19"H	1	\$74.97	\$191.17	
A1t	SETBACK2177	SEAT BACK,SLING,HEAVY DUTY,28"W,21"H	1	\$74.97	\$191.17	
A1u	SETBACK2178	SEAT BACK,SLING,HEAVY DUTY,29"W,15"H	1	\$78.28	\$199.61	
A1v	SETBACK2179	SEAT BACK,SLING,HEAVY DUTY,29"W,17"H	1	\$78.28	\$199.61	
A1w	SETBACK2180	SEAT BACK,SLING,HEAVY DUTY,29"W,19"H	1	\$78.28	\$199.61	
A1x	SETBACK2181	SEAT BACK,SLING,HEAVY DUTY,29"W,21"H	1	\$78.28	\$199.61	
A1y	SETBACK2182	SEAT BACK,SLING,HEAVY DUTY,30"W,15"H	1	\$80.48	\$205.23	
A1z	SETBACK2183	SEAT BACK,SLING,HEAVY DUTY,30"W,17"H	1	\$80.48	\$205.23	
A1aa	SETBACK2184	SEAT BACK,SLING,HEAVY DUTY,30"W,19"H	1	\$80.48	\$205.23	
A1bb	SETBACK2185	SEAT BACK,SLING,HEAVY DUTY,30"W,21"H	1	\$80.48	\$205.23	
A1cc	SETBACK2186	SEAT BACK,SLING,HEAVY DUTY,31"W,15"H	1	\$83.79	\$213.66	
A1dd	SETBACK2187	SEAT BACK,SLING,HEAVY DUTY,31"W,17"H	1	\$83.79	\$213.66	
A1ee	SETBACK2188	SEAT BACK,SLING,HEAVY DUTY,31"W,19"H	1	\$83.79	\$213.66	
A1ff	SETBACK2189	SEAT BACK,SLING,HEAVY DUTY,31"W,21"H	1	\$83.79	\$213.66	
A1gg	SETBACK2190	SEAT BACK,SLING,HEAVY DUTY,32"W,15"H	1	\$86	\$219.29	
A1hh	SETBACK2191	SEAT BACK,SLING,HEAVY DUTY,32"W,17"H	1	\$86	\$219.29	
A1ii	SETBACK2192	SEAT BACK,SLING,HEAVY DUTY,32"W,19"H	1	\$86	\$219.29	
A1jj	SETBACK2193	SEAT BACK,SLING,HEAVY DUTY,32"W,21"H	1	\$86	\$219.29	
B1	SCRASBH1018	SCREW, BHSCS,ELMR,1/4-20 X 5/8",G8.8	2	\$1.1	\$2.81	
C1	DWR1360A002	T-NUT,1/4-20 X 0.5625",A-1360-002	2	\$1.38	\$3.51	

XIV. Seat Cushion — Solid Back Plate with Cushion, 10"-13" Width



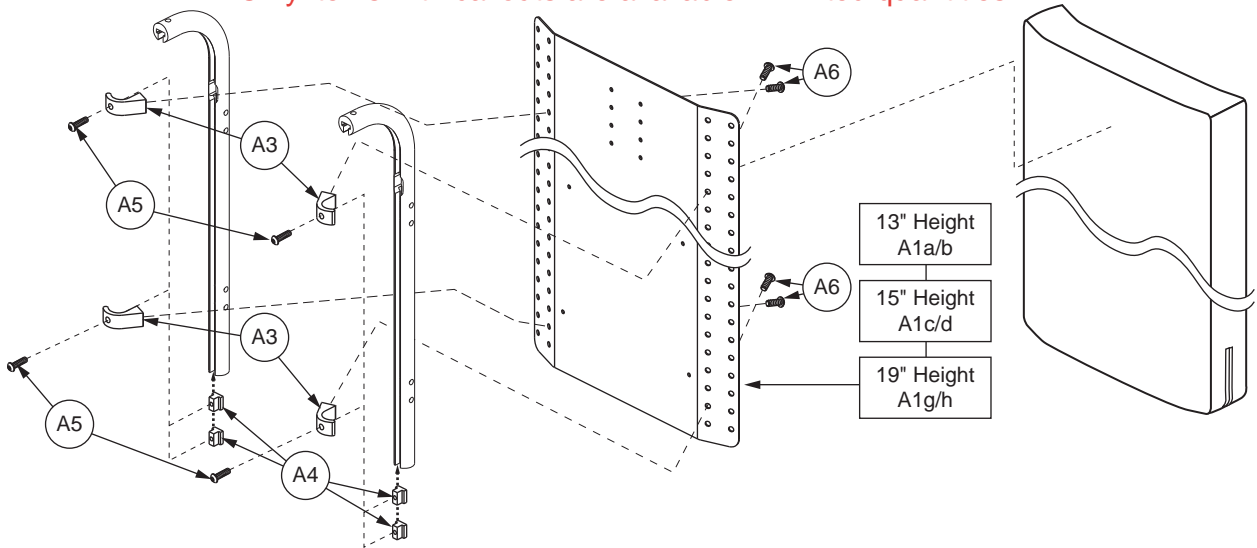
REF #	PART #	DESCRIPTION	QTY	Dealer \$	MSRP	11i
A1a - A6	SETASMB5648	SOLID SEAT BACK PLATE,10"W,12"H,W/CUSHION,(10"W X 9"H)	1	\$214.3	\$546.47	
A1b - A6	SETASMB5649	SOLID SEAT BACK PLATE,10"W,13"H,W/CUSHION,(10"W X 9"H)	1	N/A	N/A	
A1c - A6	SETASMB5650	SOLID SEAT BACK PLATE,12"W,14"H,W/CUSHION,(12"W X 11"H)	1	\$85.43	\$217.84	
A1d - A6	SETASMB5651	SOLID SEAT BACK PLATE,12"W,15"H,W/CUSHION,(12"W X 11"H)	1	\$85.43	\$217.84	
A1e - A6	SETASMB5652	SOLID SEAT BACK PLATE,13"W,16"H,W/CUSHION,(13"W X 13"H)	1	\$130.17	\$331.93	
A1f - A6	SETASMB5653	SOLID SEAT BACK PLATE,13"W,17"H,W/CUSHION,(13"W X 13"H)	1	\$130.17	\$331.93	
A1a/b	DWR1359E004A	SEAT BACK,PLATE,10"W,9"H,SYNERGY,E-1359-004	1	\$137.3	\$350.12	
A1c/d	DWR1359E005C	SEAT BACK,PLATE,12"W,11"H,SYNERGY,E-1359-005	1	N/A	N/A	
A1e/f	DWR1359E006E	SEAT BACK,PLATE,13"W,13"H,SYNERGY,E-1359-006	1	N/A	N/A	
A2a/b	CUSINDV1127	CUSHION,SEAT BACK,10"W,9"H,SOLID BACK PLATE,E-1359-027	1	N/A	N/A	
A2c/d	CUSINDV1128	CUSHION,SEAT BACK,12"W,11"H,SOLID BACK PLATE,E-1359-027	1	N/A	N/A	
A2e/f	CUSINDV1129	CUSHION,SEAT BACK,13"W,13"H,SOLID BACK PLATE,E-1359-027	1	\$44.93	\$114.57	
A3	DWR1359C005	BACK PLATE BRACKET,T-SLOT,1",C-1359-005	4	\$7.6	\$19.39	
A4	DWR1359B003	T-NUT,BLACK,1/4-20 X 0.563",0.50" TH,B-1359-003	4	\$2.92	\$7.45	
A5	SCRASBH1209	SCREW,BHSCS,BLACK ZINC,1/4-20 X 0.875",GR 8,W/PATCH	4	\$1.12	\$2.86	
A6	SCRASBH1148	SCREW,BHSCS,BLACK ZINC,1/4-20 X 0.50",W/NYLON PATCH	4	\$1.26	\$3.21	

Notes :

Top-level assemblies include components designated with corresponding lower-case letters. Parts without lower-case extensions will be included in all top-level assemblies. SETASMB part dimensions include 3" or 4" gap (dimensions in parentheses state actual solid back size).



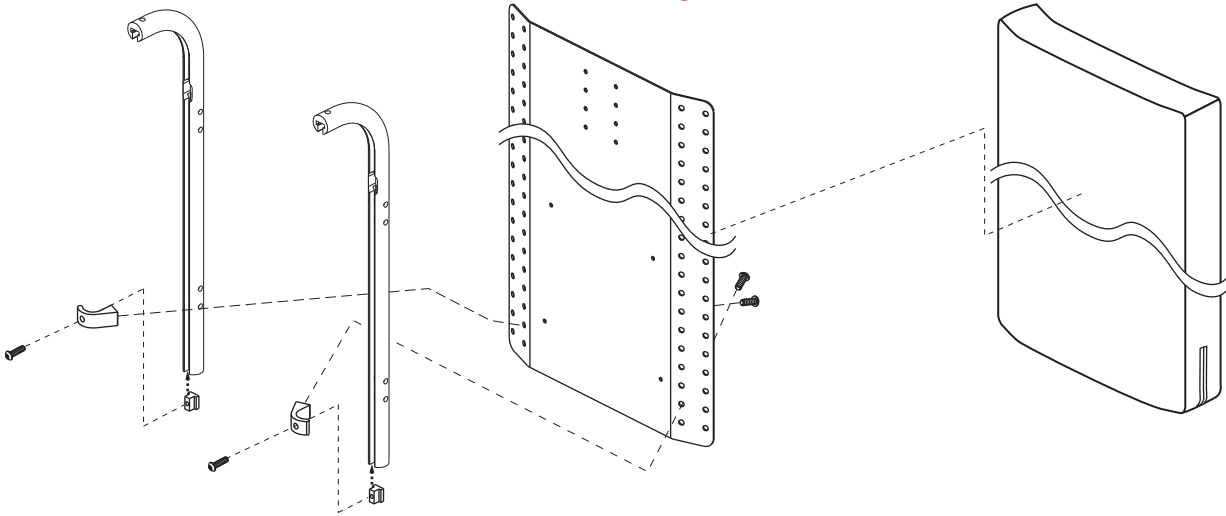
***The Solid Back Assemblies have been discontinued.
Only items with callouts are available in limited quantities.***



REF #	PART #	DESCRIPTION	QTY	Dealer \$	11i MSRP
A1a/b	DWR1359E007E	SEAT BACK,PLATE,14"W,13"H,SYNERGY,E-1359-007	1	N/A	N/A
A1c/d	DWR1359E007G	SEAT BACK,PLATE,14"W,15"H,SYNERGY,E-1359-007	1	N/A	N/A
A1g/h	DWR1359E007K	SEAT BACK,PLATE,14"W,19"H,SYNERGY,E-1359-007	1	N/A	N/A
A3	DWR1359C005	BACK PLATE BRACKET,T-SLOT,1",C-1359-005	4	N/A	N/A
A4	DWR1359B003	T-NUT,BLACK,1/4-20 X 0.563",0.50" TH,B-1359-003	4	\$2.92	\$7.45
A5	SCRASBH1209	SCREW,BHSCS,BLACK ZINC,1/4-20 X 0.875",GR 8,W/PATCH	4	\$1.12	\$2.86
A6	SCRASBH1148	SCREW,BHSCS,BLACK ZINC,1/4-20 X 0.50",W/NYLON PATCH	4	\$1.26	\$3.21

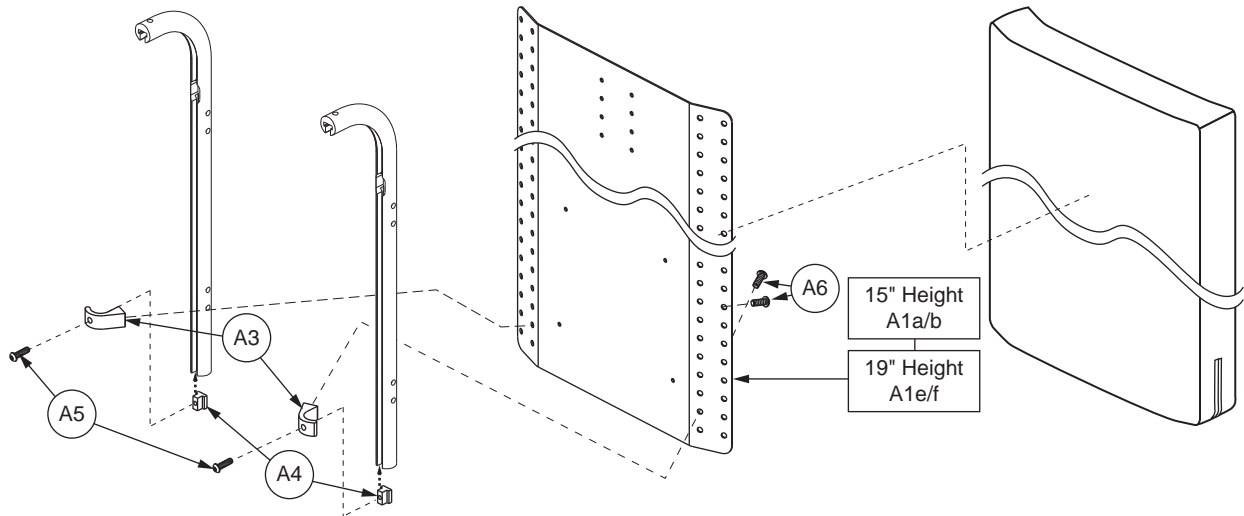


***The Solid Back Assemblies have been discontinued.
These items are no longer available.***





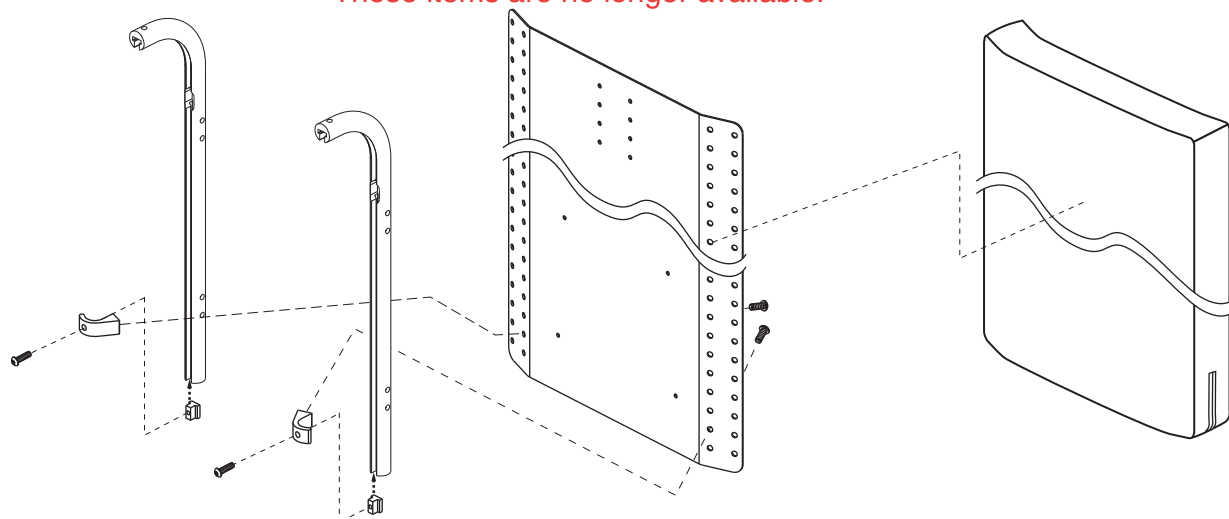
***The Solid Back Assemblies have been discontinued.
Only items with callouts are available in limited quantities.***



REF #	PART #	DESCRIPTION	QTY	Dealer \$	MSRP	11i
A1a/b	DWR1359E009G	SEAT BACK,PLATE,16"W,15"H,SYNERGY,E-1359-009	1	N/A	N/A	
A1e/f	DWR1359E009K	SEAT BACK,PLATE,16"W,19"H,SYNERGY,E-1359-009	1	N/A	N/A	
A3	DWR1359C005	BACK PLATE BRACKET,T-SLOT,1",C-1359-005	2	N/A	N/A	
A4	DWR1359B003	T-NUT,BLACK,1/4-20 X 0.563",0.50" TH,B-1359-003	2	\$2.92	\$7.45	
A5	SCRASBH1209	SCREW,BHSCS,BLACK ZINC,1/4-20 X 0.875",GR 8,W/PATCH	2	\$1.12	\$2.86	
A6	SCRASBH1148	SCREW,BHSCS,BLACK ZINC,1/4-20 X 0.50",W/NYLON PATCH	2	\$1.26	\$3.21	

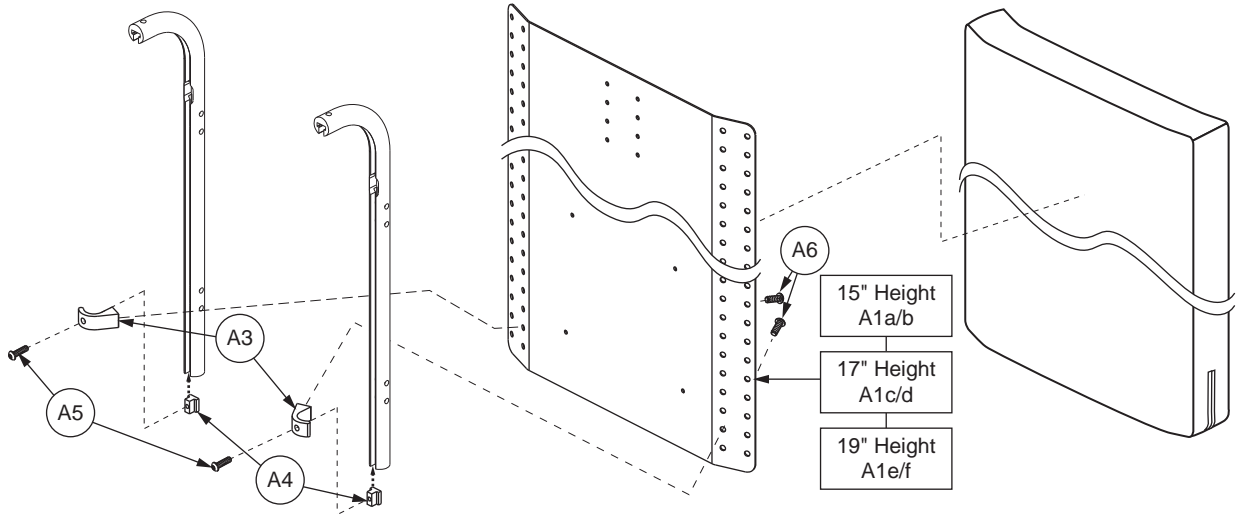


***The Solid Back Assemblies have been discontinued.
These items are no longer available.***





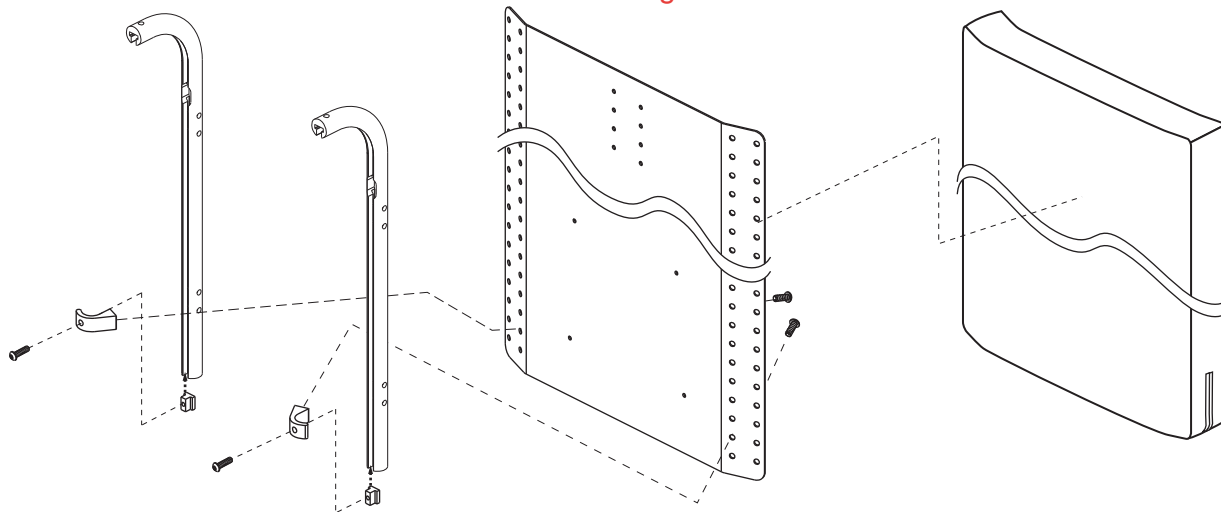
***The Solid Back Assemblies have been discontinued.
Only items with callouts are available in limited quantities.***



REF #	PART #	DESCRIPTION	QTY	Dealer \$	MSRP	11i
A1a/b	DWR1359E011G	SEAT BACK,PLATE,18"W,15"H,SYNERGY,E-1359-011	1	N/A	N/A	
A1c/d	DWR1359E011I	SEAT BACK,PLATE,18"W,17"H,SYNERGY,E-1359-011	1	N/A	N/A	
A1e/f	DWR1359E011K	SEAT BACK,PLATE,18"W,19"H,SYNERGY,E-1359-011	1	N/A	N/A	
A3	DWR1359C005	BACK PLATE BRACKET,T-SLOT,1",C-1359-005	2	N/A	N/A	
A4	DWR1359B003	T-NUT,BLACK,1/4-20 X 0.563",0.50" TH,B-1359-003	2	\$2.92	\$7.45	
A5	SCRASBH1209	SCREW,BHSCS,BLACK ZINC,1/4-20 X 0.875",GR 8,W/PATCH	2	\$1.12	\$2.86	
A6	SCRASBH1148	SCREW,BHSCS,BLACK ZINC,1/4-20 X 0.50",W/NYLON PATCH	2	\$1.26	\$3.21	

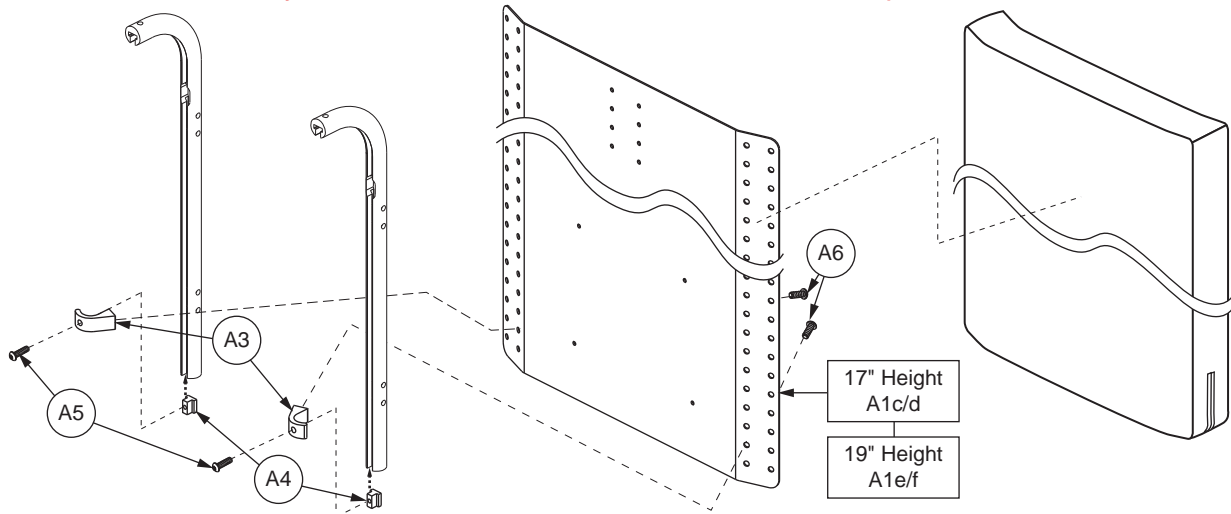


***The Solid Back Assemblies have been discontinued.
These items are no longer available.***





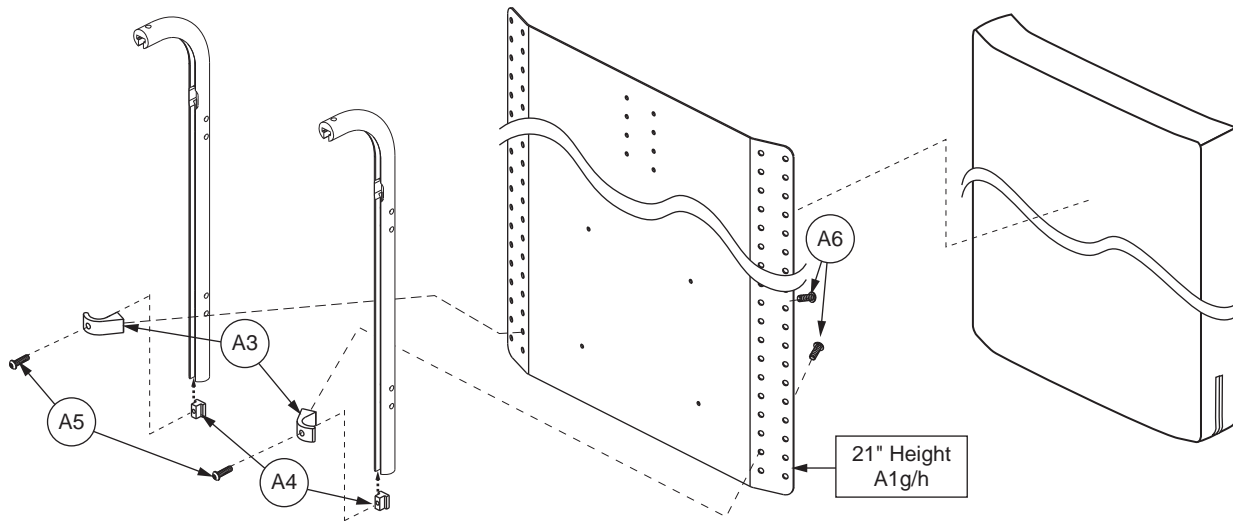
***The Solid Back Assemblies have been discontinued.
Only items with callouts are available in limited quantities.***



REF #	PART #	DESCRIPTION	QTY	Dealer \$	MSRP	11i
A1c/d	DWR1359E001I	SEAT BACK,PLATE,20"W,17"H,SYNERGY,E-1359-001	1	N/A	N/A	
A1e/f	DWR1359E001K	SEAT BACK,PLATE,20"W,19"H,SYNERGY,E-1359-001	1	N/A	N/A	
A3	DWR1359C005	BACK PLATE BRACKET,T-SLOT,1",C-1359-005	2	N/A	N/A	
A4	DWR1359B003	T-NUT,BLACK,1/4-20 X 0.563",0.50" TH,B-1359-003	2	\$2.92	\$7.45	
A5	SCRASBH1209	SCREW,BHSCS,BLACK ZINC,1/4-20 X 0.875",GR 8,W/PATCH	2	\$1.12	\$2.86	
A6	SCRASBH1148	SCREW,BHSCS,BLACK ZINC,1/4-20 X 0.50",W/NYLON PATCH	2	\$1.26	\$3.21	



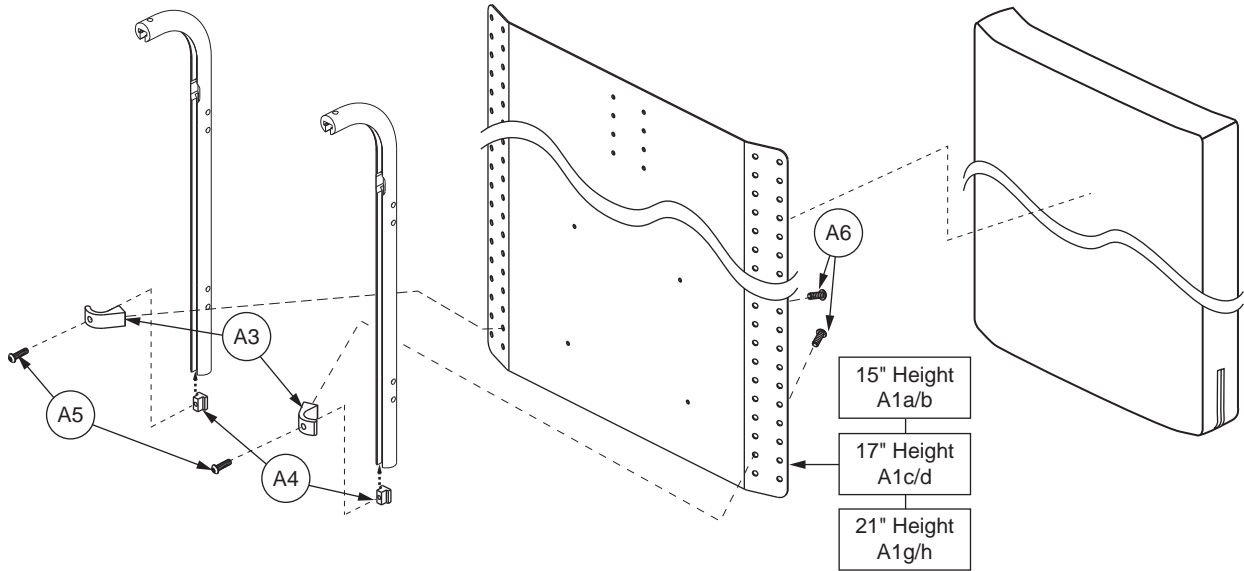
***The Solid Back Assemblies have been discontinued.
Only items with callouts are available in limited quantities.***



REF #	PART #	DESCRIPTION	QTY	Dealer \$	MSRP	11i
A1g/h	DWR1359E013M	SEAT BACK,PLATE,21"W,21"H,SYNERGY,E-1359-013	1	N/A	N/A	
A3	DWR1359C005	BACK PLATE BRACKET,T-SLOT,1",C-1359-005	2	N/A	N/A	
A4	DWR1359B003	T-NUT,BLACK,1/4-20 X 0.563",0.50" TH,B-1359-003	2	\$2.92	\$7.45	
A5	SCRASBH1209	SCREW,BHSCS,BLACK ZINC,1/4-20 X 0.875",GR 8,W/PATCH	2	\$1.12	\$2.86	
A6	SCRASBH1148	SCREW,BHSCS,BLACK ZINC,1/4-20 X 0.50",W/NYLON PATCH	2	\$1.26	\$3.21	

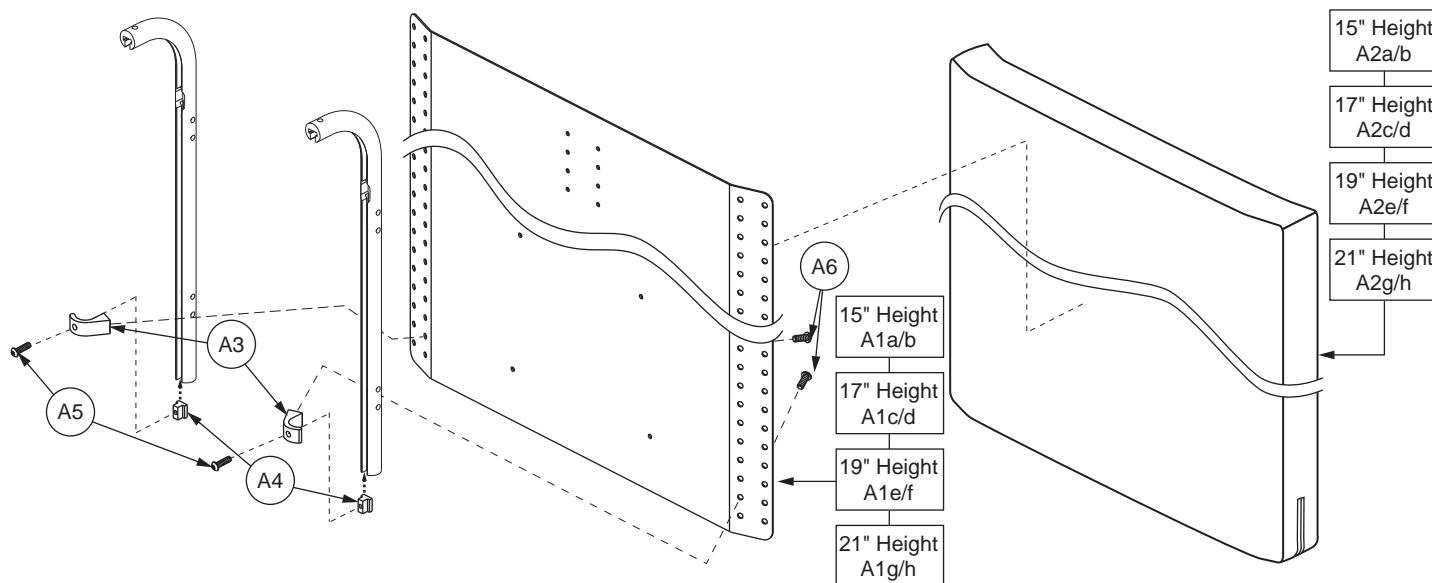


***The Solid Back Assemblies have been discontinued.
Only items with callouts are available in limited quantities.***



REF #	PART #	DESCRIPTION	QTY	Dealer \$	MSRP	11i
A1a/b	DWR1359E014G	SEAT BACK,PLATE,22"W,15"H,SYNERGY,E-1359-014	1	N/A	N/A	
A1c/d	DWR1359E014I	SEAT BACK,PLATE,22"W,17"H,SYNERGY,E-1359-014	1	N/A	N/A	
A1g/h	DWR1359E014M	SEAT BACK,PLATE,22"W,21"H,SYNERGY,E-1359-014	1	N/A	N/A	
A3	DWR1359C005	BACK PLATE BRACKET,T-SLOT,1",C-1359-005	2	N/A	N/A	
A4	DWR1359B003	T-NUT,BLACK,1/4-20 X 0.563",0.50" TH,B-1359-003	2	\$2.92	\$7.45	
A5	SCRASBH1209	SCREW,BHSCS,BLACK ZINC,1/4-20 X 0.875",GR 8,W/PATCH	2	\$1.12	\$2.86	
A6	SCRASBH1148	SCREW,BHSCS,BLACK ZINC,1/4-20 X 0.50",W/NYLON PATCH	2	\$1.26	\$3.21	

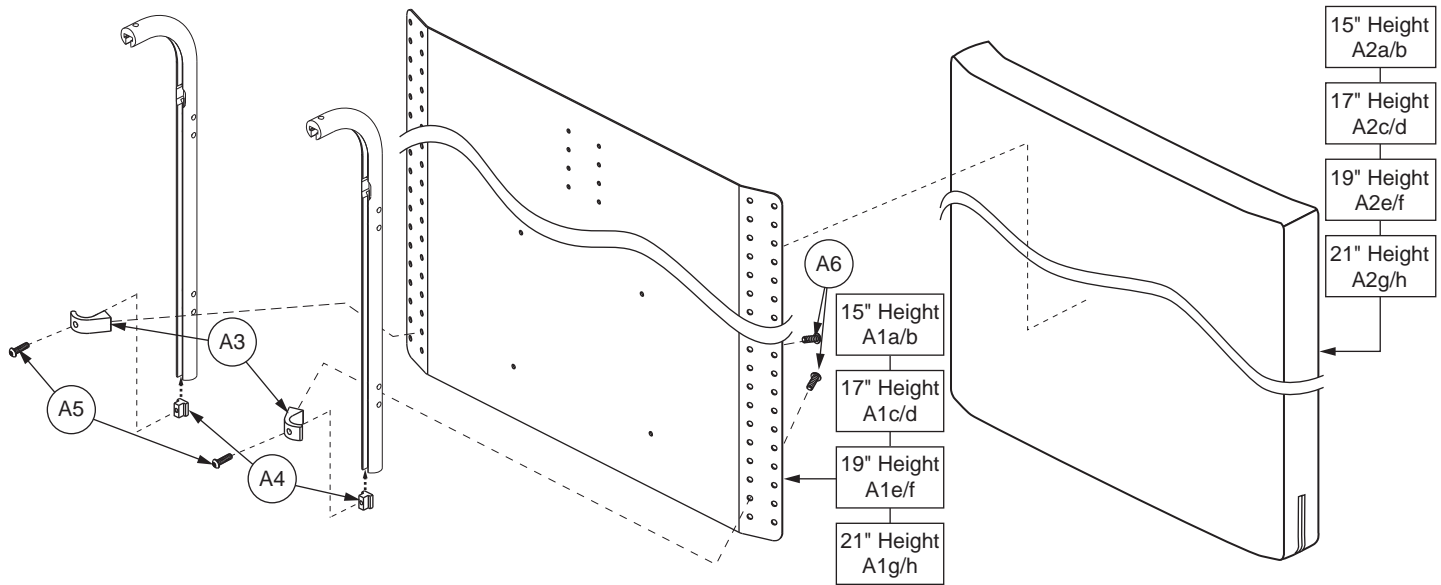
XIV. Seat Cushion — Solid Back Plate with Cushion, 23" Width



REF #	PART #	DESCRIPTION	QTY	Dealer \$	MSRP	11i
A1a - A6	SETASMB5728	SOLID SEAT BACK PLATE,23"W,18"H,W/CUSHION,(23"W X 15"H)	1	N/A	N/A	
A1b - A6	SETASMB5729	SOLID SEAT BACK PLATE,23"W,19"H,W/CUSHION,(23"W X 15"H)	1	N/A	N/A	
A1c - A6	SETASMB5730	SOLID SEAT BACK PLATE,23"W,20"H,W/CUSHION,(23"W X 17"H)	1	N/A	N/A	
A1d - A6	SETASMB5731	SOLID SEAT BACK PLATE,23"W,21"H,W/CUSHION,(23"W X 17"H)	1	N/A	N/A	
A1e - A6	SETASMB5732	SOLID SEAT BACK PLATE,23"W,22"H,W/CUSHION,(23"W X 19"H)	1	N/A	N/A	
A1f - A6	SETASMB5733	SOLID SEAT BACK PLATE,23"W,23"H,W/CUSHION,(23"W X 19"H)	1	N/A	N/A	
A1g - A6	SETASMB5734	SOLID SEAT BACK PLATE,23"W,24"H,W/CUSHION,(23"W X 21"H)	1	N/A	N/A	
A1h - A6	SETASMB5735	SOLID SEAT BACK PLATE,23"W,25"H,W/CUSHION,(23"W X 21"H)	1	N/A	N/A	
A1a/b	DWR1359E015G	SEAT BACK,PLATE,23"W,15"H,SYNERGY,E-1359-015	1	N/A	N/A	
A1c/d	DWR1359E015I	SEAT BACK,PLATE,23"W,17"H,SYNERGY,E-1359-015	1	N/A	N/A	
A1e/f	DWR1359E015K	SEAT BACK,PLATE,23"W,19"H,SYNERGY,E-1359-015	1	N/A	N/A	
A1g/h	DWR1359E015M	SEAT BACK,PLATE,23"W,21"H,SYNERGY,E-1359-015	1	N/A	N/A	
A2a/b	CUSINDV1167	CUSHION,SEAT BACK,23"W,15"H,SOLID BACK PLATE,E-1359-027	1	N/A	N/A	
A2c/d	CUSINDV1168	CUSHION,SEAT BACK,23"W,17"H,SOLID BACK PLATE,E-1359-027	1	N/A	N/A	
A2e/f	CUSINDV1169	CUSHION,SEAT BACK,23"W,19"H,SOLID BACK PLATE,E-1359-027	1	N/A	N/A	
A2g/h	CUSINDV1170	CUSHION,SEAT BACK,23"W,21"H,SOLID BACK PLATE,E-1359-027	1	N/A	N/A	
A3	DWR1359C005	BACK PLATE BRACKET,T-SLOT,1",C-1359-005	2	\$7.6	\$19.39	
A4	DWR1359B003	T-NUT,BLACK,1/4-20 X 0.563",0.50" TH,B-1359-003	2	\$2.92	\$7.45	
A5	SCRASBH1209	SCREW,BHSCS,BLACK ZINC,1/4-20 X 0.875",GR 8,W/PATCH	2	\$1.12	\$2.86	
A6	SCRASBH1148	SCREW,BHSCS,BLACK ZINC,1/4-20 X 0.50",W/NYLON PATCH	2	\$1.26	\$3.21	

Notes :
 The upper portion of the solid back is secured to the canes via a push bar assembly or hardware found in the flip-up armrest assembly. Top-level assemblies include components designated with corresponding lower-case letters. Parts without lower-case extensions will be included in all top-level assemblies. SETASMB part dimensions include 3" or 4" gap (dimensions in parentheses state actual solid back size).

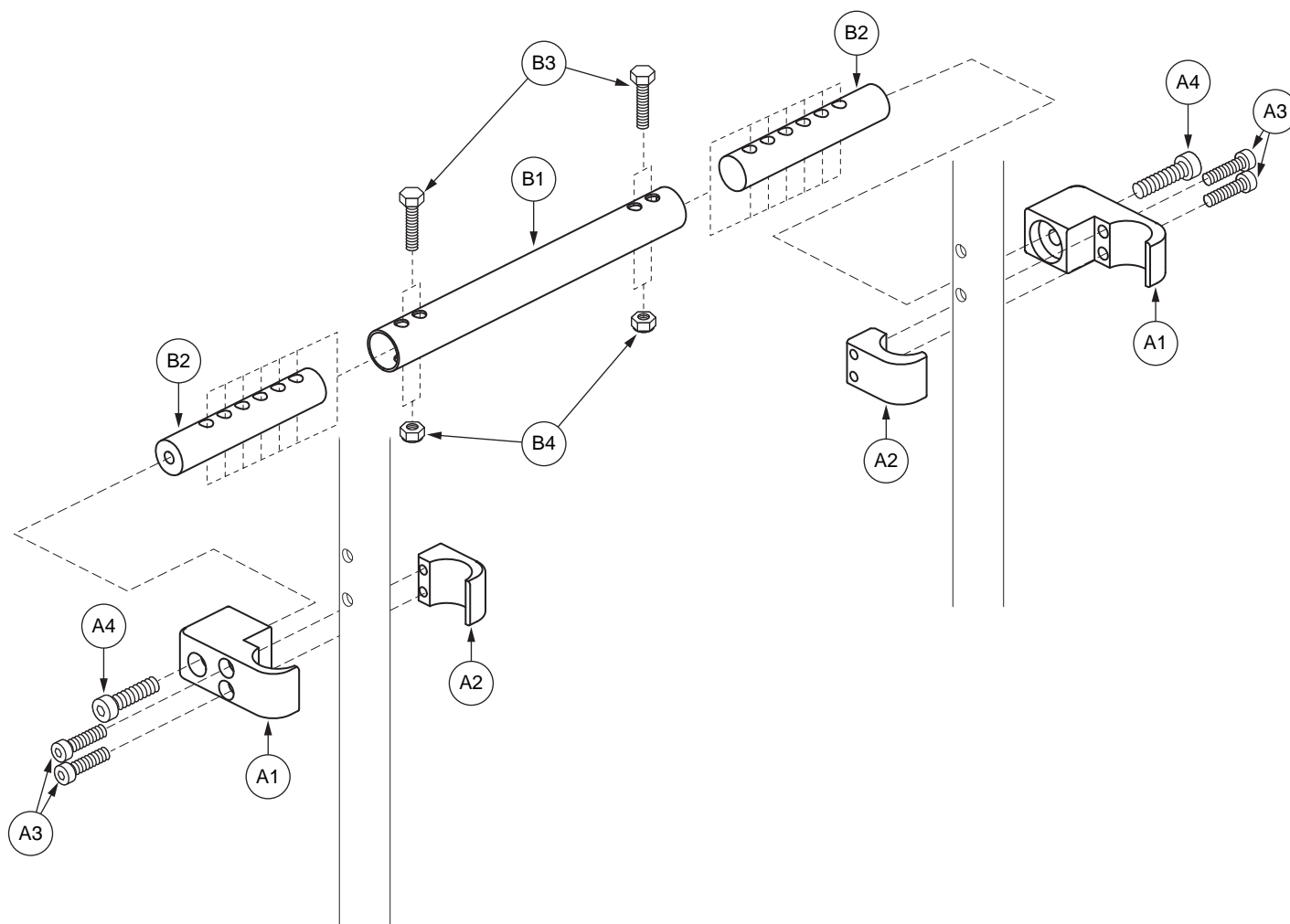
XIV. Seat Cushion — Solid Back Plate with Cushion, 24" Width



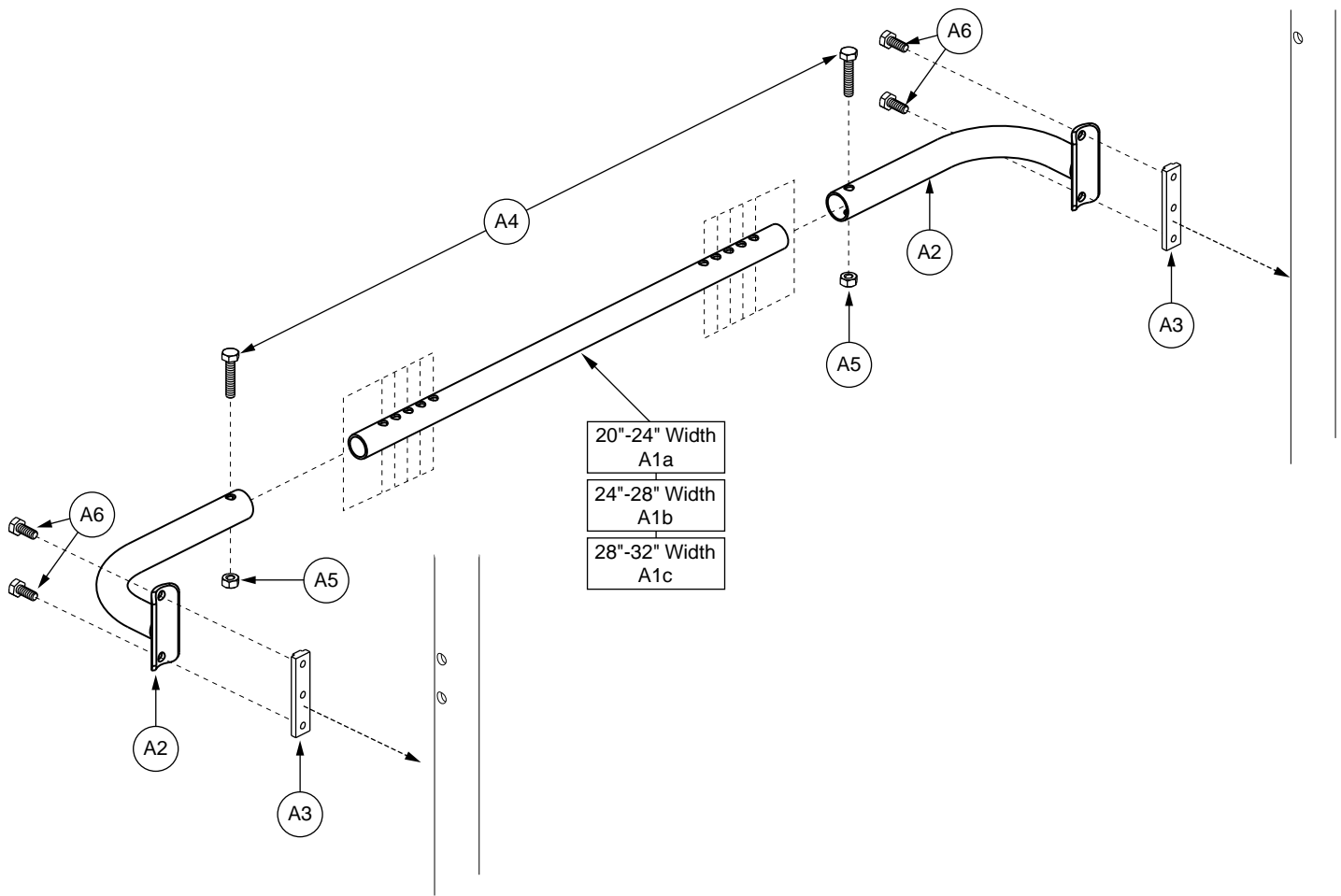
REF #	PART #	DESCRIPTION	QTY	Dealer \$	11i MSRP
A1a - A6	SETASMB5736	SOLID SEAT BACK PLATE,24"W,18"H,W/CUSHION,(24"W X 15"H)	1	N/A	N/A
A1b - A6	SETASMB5737	SOLID SEAT BACK PLATE,24"W,19"H,W/CUSHION,(24"W X 15"H)	1	N/A	N/A
A1c - A6	SETASMB5738	SOLID SEAT BACK PLATE,24"W,20"H,W/CUSHION,(24"W X 17"H)	1	N/A	N/A
A1d - A6	SETASMB5739	SOLID SEAT BACK PLATE,24"W,21"H,W/CUSHION,(24"W X 17"H)	1	N/A	N/A
A1e - A6	SETASMB5740	SOLID SEAT BACK PLATE,24"W,22"H,W/CUSHION,(24"W X 19"H)	1	N/A	N/A
A1f - A6	SETASMB5741	SOLID SEAT BACK PLATE,24"W,23"H,W/CUSHION,(24"W X 19"H)	1	N/A	N/A
A1g - A6	SETASMB5742	SOLID SEAT BACK PLATE,24"W,24"H,W/CUSHION,(24"W X 21"H)	1	N/A	N/A
A1h - A6	SETASMB5743	SOLID SEAT BACK PLATE,24"W,25"H,W/CUSHION,(24"W X 21"H)	1	N/A	N/A
A1a/b	DWR1359E002G	SEAT BACK,PLATE,24"W,15"H,SYNERGY,E-1359-002	1	N/A	N/A
A1c/d	DWR1359E002I	SEAT BACK,PLATE,24"W,17"H,SYNERGY,E-1359-002	1	N/A	N/A
A1e/f	DWR1359E002K	SEAT BACK,PLATE,24"W,19"H,SYNERGY,E-1359-002	1	N/A	N/A
A1g/h	DWR1359E002M	SEAT BACK,PLATE,24"W,21"H,SYNERGY,E-1359-002	1	N/A	N/A
A2a/b	CUSINDV1171	CUSHION,SEAT BACK,24"W,15"H,SOLID BACK PLATE,E-1359-027	1	N/A	N/A
A2c/d	CUSINDV1172	CUSHION,SEAT BACK,24"W,17"H,SOLID BACK PLATE,E-1359-027	1	N/A	N/A
A2e/f	CUSINDV1173	CUSHION,SEAT BACK,24"W,19"H,SOLID BACK PLATE,E-1359-027	1	N/A	N/A
A2g/h	CUSINDV1174	CUSHION,SEAT BACK,24"W,21"H,SOLID BACK PLATE,E-1359-027	1	N/A	N/A
A3	DWR1359C005	BACK PLATE BRACKET,T-SLOT,1",C-1359-005	2	N/A	N/A
A4	DWR1359B003	T-NUT,BLACK,1/4-20 X 0.563",0.50" TH,B-1359-003	2	\$2.92	\$7.45
A5	SCRASBH1209	SCREW,BHSCS,BLACK ZINC,1/4-20 X 0.875",GR 8,W/PATCH	2	\$1.12	\$2.86
A6	SCRASBH1148	SCREW,BHSCS,BLACK ZINC,1/4-20 X 0.50",W/NYLON PATCH	2	\$1.26	\$3.21

Notes :

The upper portion of the solid back is secured to the canes via a push bar assembly or hardware found in the flip-up armrest assembly. Top-level assemblies include components designated with corresponding lower-case letters. Parts without lower-case extensions will be included in all top-level assemblies. SETASMB part dimensions include 3" or 4" gap (dimensions in parentheses state actual solid back size).



REF #	PART #	DESCRIPTION	QTY	Dealer \$	MSRP	11i
A1 - B4	FRMASMB6914	PUSH BAR,ASSY,10"W-14"W,SYNERGY SEAT, TEXTURED,C-1360-040	1	\$147.74	\$376.72	
A1	DWR1325C008B	MOUNTING BRACKET,CLAMP, PUSH BAR,TEXTURED,C-1325-008	2	\$18.74	\$47.79	
A2	DWR1325B007B	MOUNTING BRACKET,CLAMP INSERT, PUSH BAR,TEXTURED,B-1325-007	2	\$18.74	\$47.79	
A3	SCRALNH1013	SCREW,SHCS,BLACK ZINC,1/4-20 X 1.00"	4	\$1.18	\$3.01	
A4	SCRSHCS1053	SCREW,SHCS,BLACK ZINC,5/16-18 X 1.25",GRADE 8	2	\$1.1	\$2.81	
B1 - B4	FRMASMB6913	BACK CENTER TUBE,ASSY,10"W-13"W,SYNERGY SEAT,TEXTURED,C-1360-041	1	\$31.97	\$81.53	
B1	DWR1360C042B	PUSH BAR CENTER TUBE,10"W-14"W,PEDIATRIC SYNERGY SEAT, TEXTURED,C-1360-042	1	\$9.92	\$25.3	
B2	DWR1360B027	PEDIATRIC ADJUSTMENT BAR,SYNERGY SEAT	2	\$11.03	\$28.11	
B3	SCRHHCS1242	SCREW,HHCS,BLACK ZINC,1/4-20 X 1.125",GRADE 8	2	\$1.1	\$2.81	
B4	NUTNYLK1014	NUT,NYLOCK,BLACK ZINC,1/4-20	2	\$1.16	\$2.96	



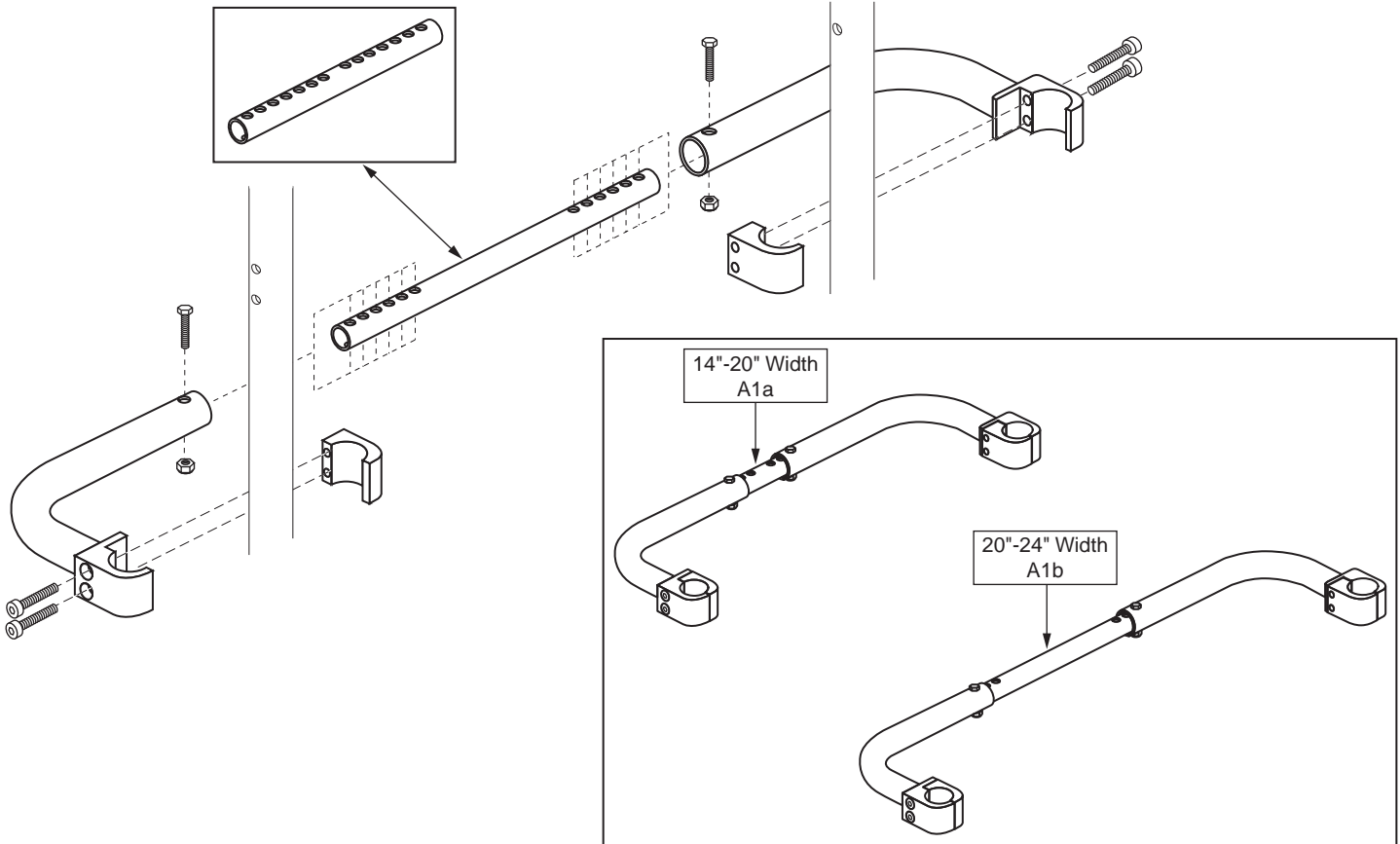
REF #	PART #	DESCRIPTION	QTY	Dealer \$	11i MSRP
A1a - A6	FRMASMB7028	PUSH BAR,ASSY,20"W-24"W,SYNERGY HD,TEXTURED,E-1360-137	1	N/A	N/A
A1b - A6	FRMASMB6791	PUSH BAR,ASSY,24"W-28"W,SYNERGY,TEXTURED,E-1360-085	1	N/A	N/A
A1c - A6	FRMASMB7029	PUSH BAR,ASSY,28"W-32"W,SYNERGY HD,TEXTURED,E-1360-107	1	\$88.5	\$225.69
A1a	DWR1360E136	PUSH BAR CENTER TUBE,20"W-24"W,SYNERGY SEAT HD	1	N/A	N/A
A1b	DWR1360D067	PUSH BAR CENTER TUBE,24"W-28"W,SYNERGY SEAT HD	2	N/A	N/A
A1c	DWR1360E106	PUSH BAR CENTER TUBE,28"W-32"W,SYNERGY SEAT HD	2	N/A	N/A
A2	DWR1360D035B	PUSH BAR CLAMP WELDMENT,14"W-28"W,SYNERGY,TEXTURED	2	N/A	N/A
A3	DWR1360B049	T-NUT,BLACK,1/4-20 X 2.563"L W/1" HOLE SPACING	2	\$3.54	\$9.03
A4	SCRHHCS1243	SCREW,HHCS,BLACK ZINC,1/4-20 X 1.25",GRADE 8	2	\$1.1	\$2.81
A5	NUTNYLK1014	NUT, NYLOCK,BLACK ZINC,1/4-20	2	\$1.16	\$2.96
A6	SCRHHCS1263	SCREW,HHCS,BLACK ZINC,1/4-20 X 0.625",GR 8,W/PATCH	4	\$1.1	\$2.81

Notes :

For use with Heavy Duty Synergy Seat Option. Top-level assemblies will include components designated with corresponding lower-case letters. Parts without lower-case extensions will be included in all top-level assemblies.



*** Individual components are not available for replacement.
The entire assembly must be purchased. ***

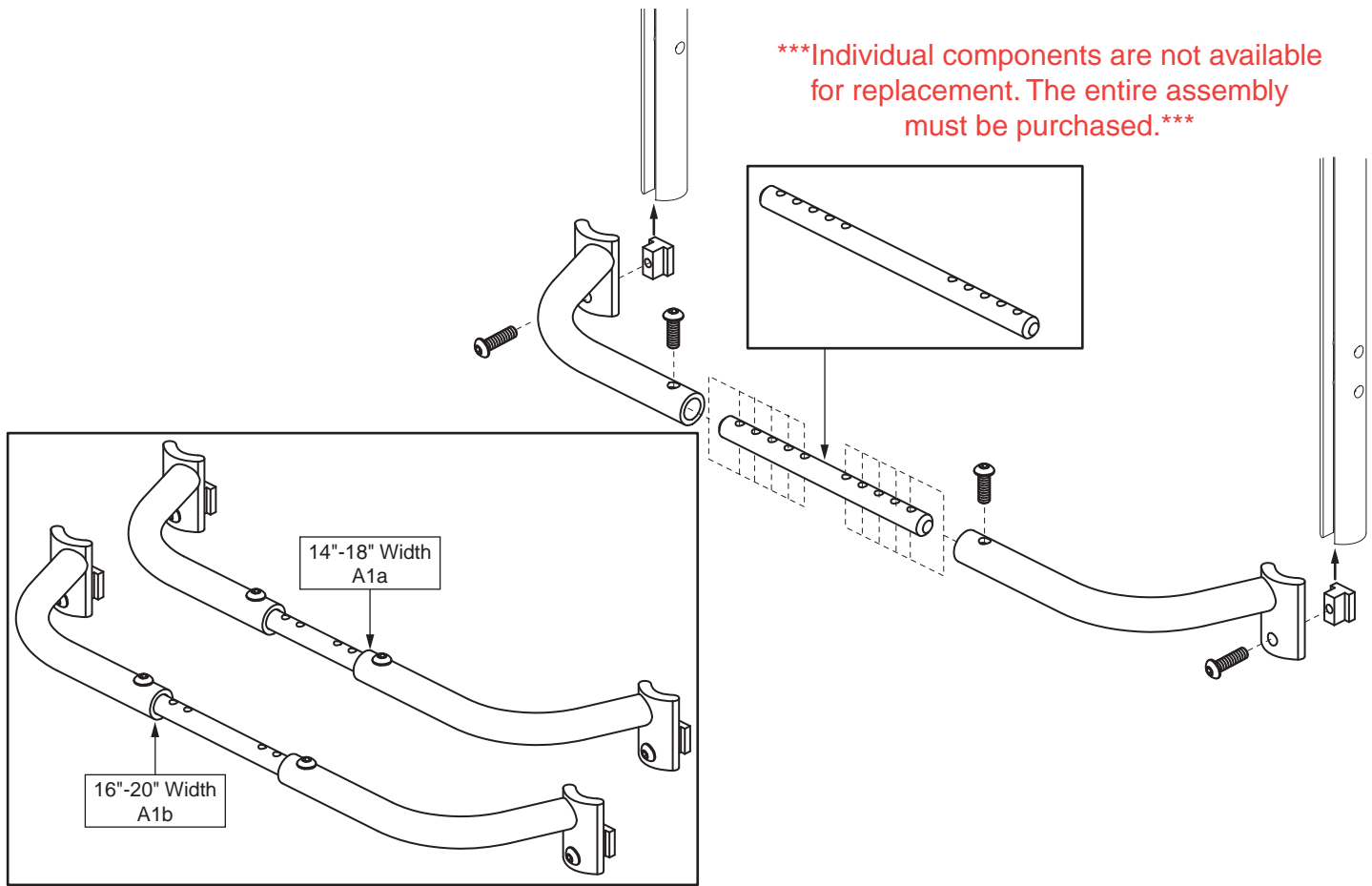


REF #	PART #	DESCRIPTION	QTY	Dealer \$	11i MSRP
A1a	FRMASMB6789	PUSH BAR,ASSY,14"W-20"W,SYNERGY SEAT, TEXTURED,D-1360-012	1	\$66.38	\$169.26
A1b	FRMASMB6790	PUSH BAR,ASSY,20"W-24"W,SYNERGY SEAT, TEXTURED,D-1360-017	1	N/A	N/A

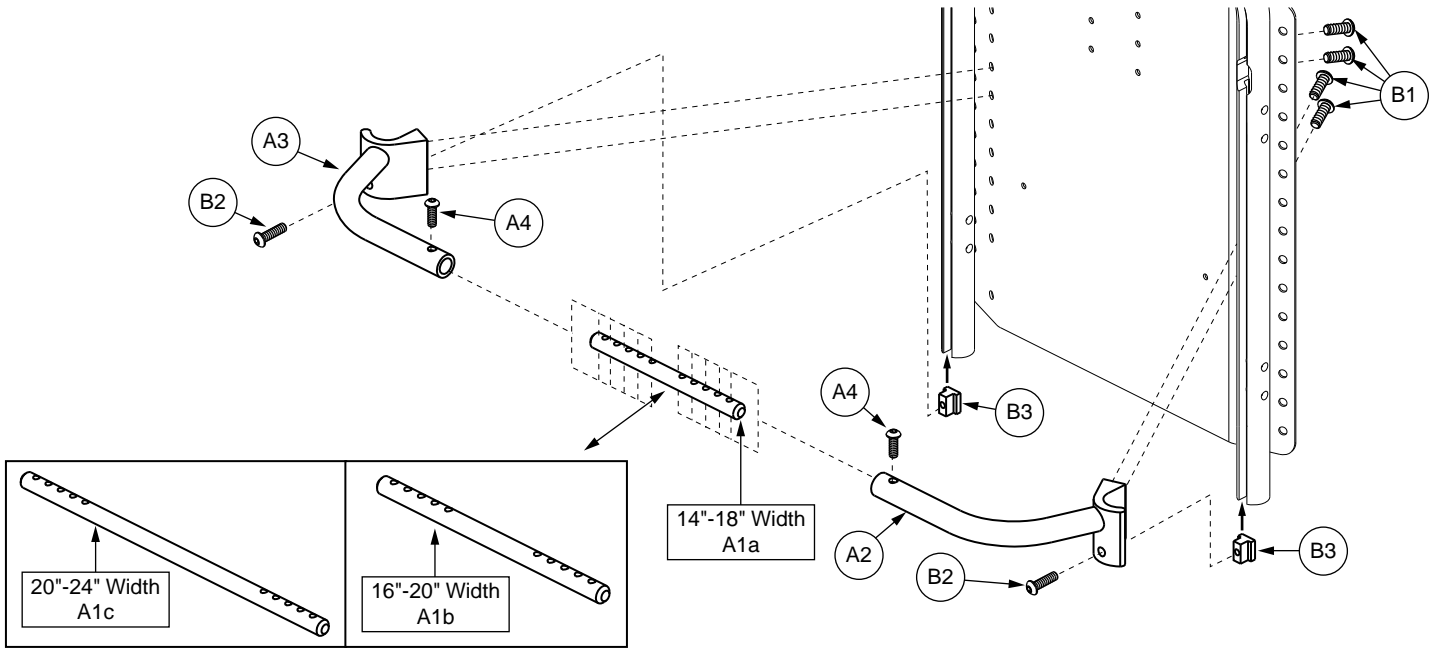
Notes :

For use with Removable Armrests.

XV. Push Bar — T-Slot Mounted



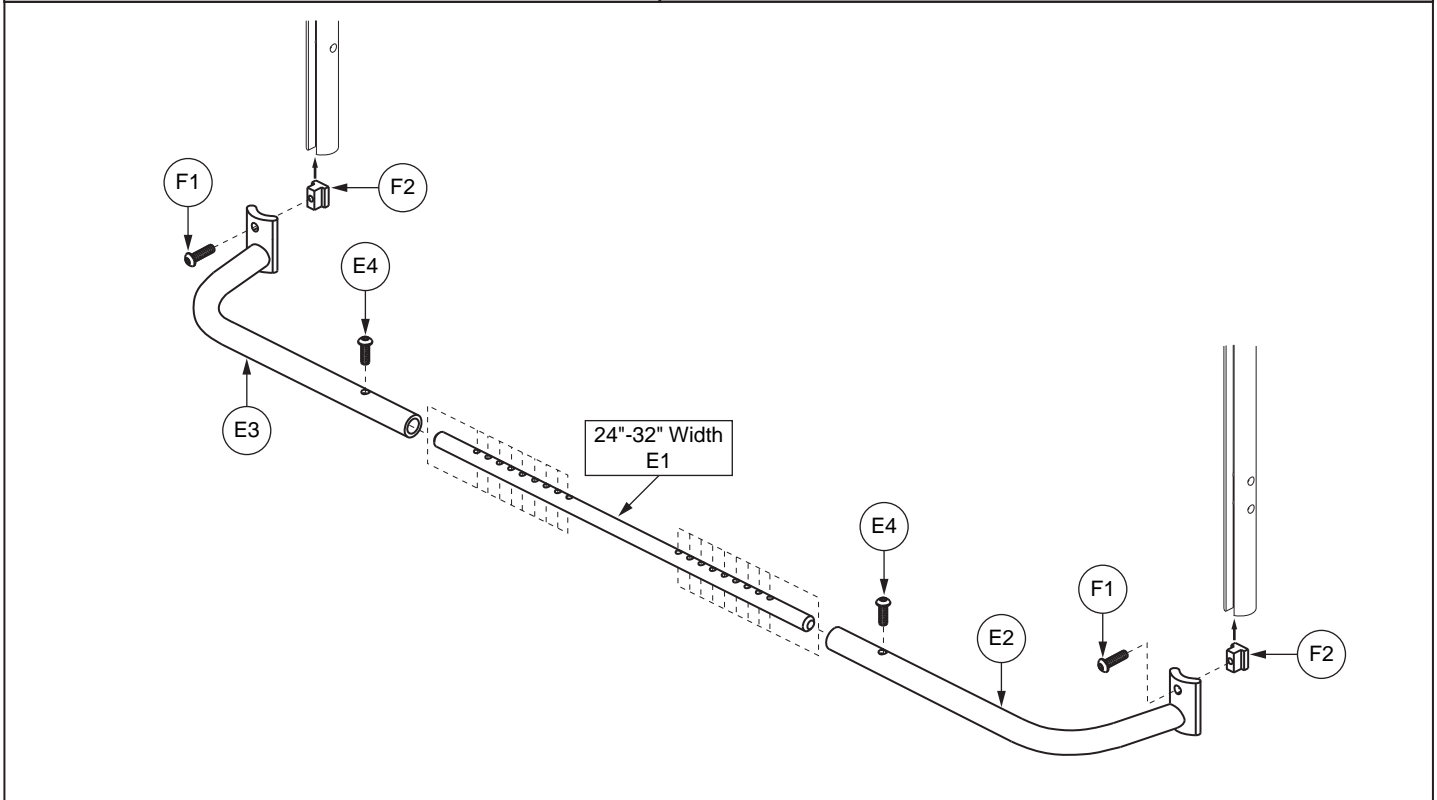
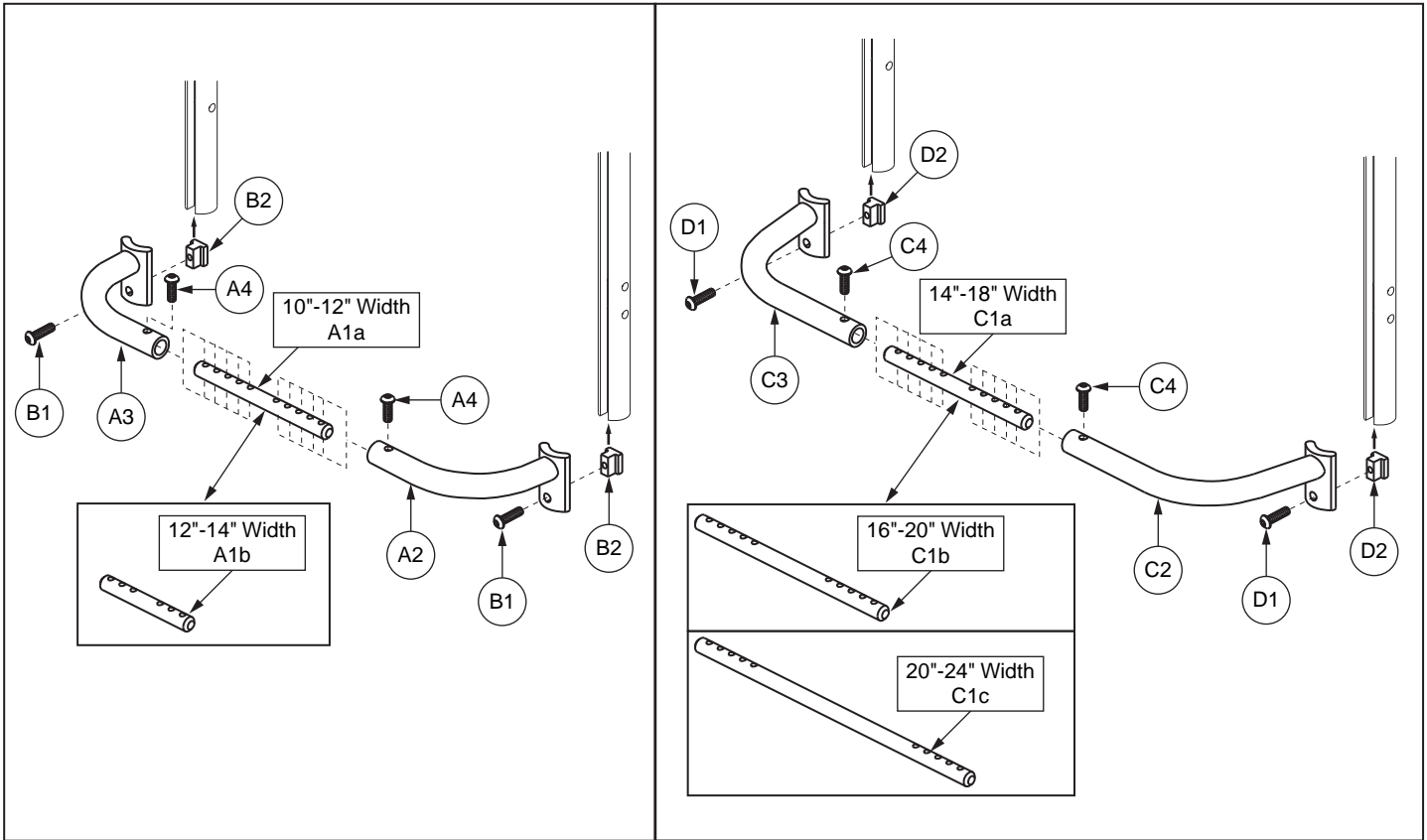
REF #	PART #	DESCRIPTION	QTY	Dealer \$	MSRP	11i
A1a	FRMASMB9197	PUSH BAR, ASSY, 14"W-18"W, TRU-BALANCE, W/MOUNTING HARDWARE	1	\$62.91	\$160.41	
A1b	FRMASMB9198	PUSH BAR, ASSY, 16"W-20"W, TRU-BALANCE, W/MOUNTING HARDWARE	1	\$71.87	\$183.27	



XV. Push Bar — Solid Back Plate Mounted



REF #	PART #	DESCRIPTION	QTY	Dealer \$	11i MSRP
A1a	FRMASMB9194	PUSH BAR,ASSY,14"W-18"W,TRU-BALANCE,SOLID BACK PLATE,W/MOUNTING HARDWARE	1	\$78.07	\$199.07
A1b	FRMASMB9195	PUSH BAR,ASSY,16"W-20"W,TRU-BALANCE,SOLID BACK PLATE,W/MOUNTING HARDWARE	1	\$80.45	\$205.15
A1c	FRMASMB9196	PUSH BAR,ASSY,20"W-24"W,TRU-BALANCE,SOLID BACK PLATE,W/MOUNTING HARDWARE	1	\$81.64	\$208.19



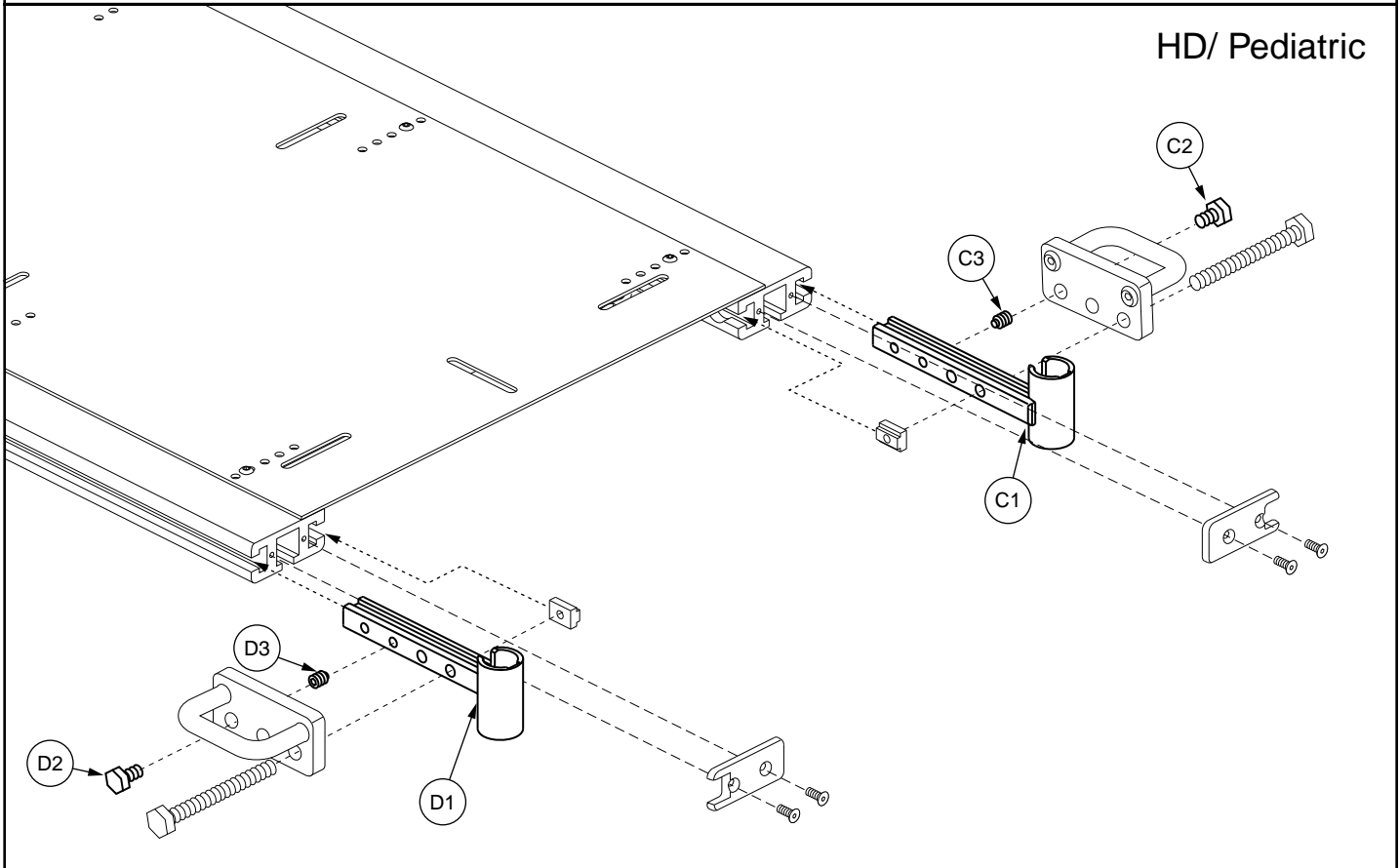
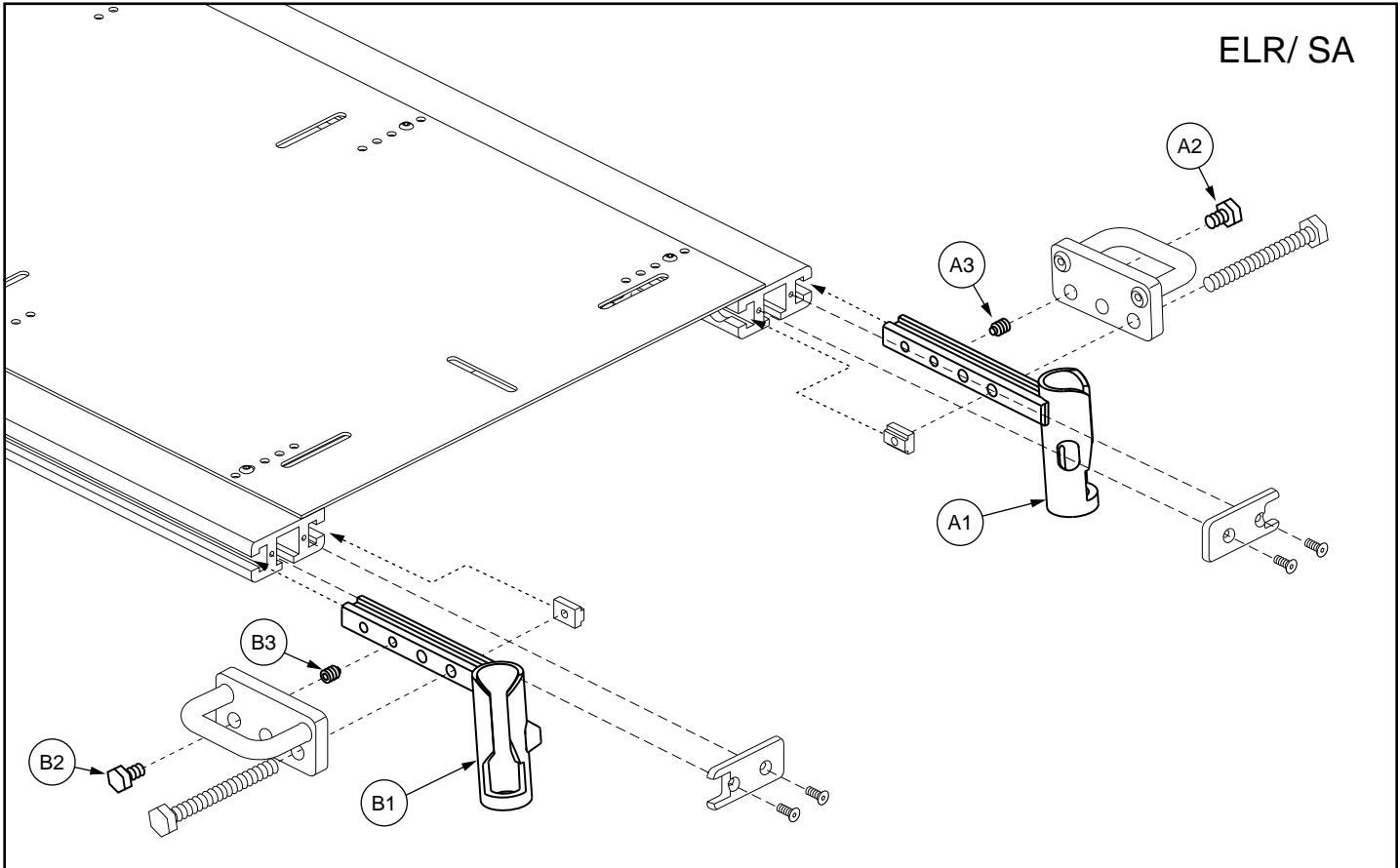
XVI. Rigidizing Bars



REF #	PART #	DESCRIPTION	QTY	Dealer \$	11i MSRP
A1a - B2	FRMASMB17112	RIGIDIZING BAR,ASSY,10"W-12"W,BACK CANE MOUNTED	1	N/A	N/A
A1b - B2	FRMASMB17113	RIGIDIZING BAR,ASSY,12"W-14"W,BACK CANE MOUNTED	1	N/A	N/A
A1a - A4	FRMASMB16350	RIGIDIZING BAR,ASSY,10"W-12"W,CANE MOUNTED,D-1359-033	1	N/A	N/A
A1b - A4	FRMASMB16351	RIGIDIZING BAR,ASSY,12"W-14"W,CANE MOUNTED,D-1359-034	1	N/A	N/A
A1a	DWR1359C021	PUSH BAR CENTER TUBE,10"W-12"W,TRU-BALANCE,C-1359-021	1	N/A	N/A
A1b	DWR1359C022	PUSH BAR CENTER TUBE,12"W-14"W,TRU-BALANCE,C-1359-022	1	N/A	N/A
A2	DWR1359D031	PUSH BAR END TUBE WELDMENT,10"W-14"W,RIGHT	1	N/A	N/A
A3	DWR1359D032	PUSH BAR END TUBE WELDMENT,10"W-14"W,LEFT	1	N/A	N/A
A4	SCRASBH1210	SCREW,BHSCS,BLACK ZINC,1/4-20 X 0.750",W/NYLON PATCH	2	\$1.29	\$3.28
B1	SCRASBH1209	SCREW,BHSCS,BLACK ZINC,1/4-20 X 0.875",GR 8,W/PATCH	2	\$1.12	\$2.86
B2	DWR1359B003	T-NUT,BLACK,1/4-20 X 0.563",0.50" TH,B-1359-003	2	\$2.92	\$7.45
C1a - D2	FRMASMB17114	RIGIDIZING BAR,ASSY,14"W-18"W,BACK CANE MOUNTED	1	\$65.44	\$166.87
C1b - D2	FRMASMB17115	RIGIDIZING BAR,ASSY,16"W-20"W,BACK CANE MOUNTED	1	\$70.09	\$178.72
C1c - D2	FRMASMB17116	RIGIDIZING BAR,ASSY,20"W-24"W,BACK CANE MOUNTED	1	\$66.75	\$170.21
C1a - C4	FRMASMB16352	RIGIDIZING BAR,ASSY,14"W-18"W,CANE MOUNTED,E-1359-086	1	N/A	N/A
C1b - C4	FRMASMB16353	RIGIDIZING BAR,ASSY,16"W-20"W,CANE MOUNTED,E-1359-087	1	N/A	N/A
C1c - C4	FRMASMB16354	RIGIDIZING BAR,ASSY,20"W-24"W,CANE MOUNTED,E-1359-088	1	N/A	N/A
C1a	DWR1359C008	PUSH BAR CENTER TUBE,14"W-18"W,TRU-BALANCE,C-1359-008	1	N/A	N/A
C1b	DWR1359C009	PUSH BAR CENTER TUBE,16"W-20"W,TRU-BALANCE,C-1359-009	1	N/A	N/A
C1c	DWR1359C001	PUSH BAR CENTER TUBE,20"W-24"W,TRU-BALANCE,C-1359-001	1	N/A	N/A
C2	DWR1359D029	PUSH BAR END TUBE WELDMENT,14"W-24"W,RIGHT	1	N/A	N/A
C3	DWR1359D030	PUSH BAR END TUBE WELDMENT,14"W-24"W,LEFT	1	N/A	N/A
C4	SCRASBH1210	SCREW,BHSCS,BLACK ZINC,1/4-20 X 0.750",W/NYLON PATCH	2	\$1.29	\$3.28
D1	SCRASBH1209	SCREW,BHSCS,BLACK ZINC,1/4-20 X 0.875",GR 8,W/PATCH	2	\$1.12	\$2.86
D2	DWR1359B003	T-NUT,BLACK,1/4-20 X 0.563",0.50" TH,B-1359-003	2	\$2.92	\$7.45
E1 - F2	FRMASMB17117	RIGIDIZING BAR,ASSY,24"W-32"W,BACK CANE MOUNTED	1	\$54.02	\$137.75
E1 - E4	FRMASMB16355	RIGIDIZING BAR,ASSY,24"W-32"W,CANE MOUNTED,E-1359-089	1	\$42.52	\$108.43
E1	DWR1359C018	PUSH BAR CENTER TUBE,24"W-32"W,TRU-BALANCE,C-1359-018	1	N/A	N/A
E2	DWR1359D036	PUSH BAR END TUBE WELDMENT,24"W-32"W,RIGHT	1	N/A	N/A
E3	DWR1359D037	PUSH BAR END TUBE WELDMENT,24"W-32"W,LEFT	1	N/A	N/A
E4	SCRASBH1210	SCREW,BHSCS,BLACK ZINC,1/4-20 X 0.750",W/NYLON PATCH	2	\$1.29	\$3.28
F1	SCRASBH1209	SCREW,BHSCS,BLACK ZINC,1/4-20 X 0.875",GR 8,W/PATCH	2	\$1.12	\$2.86
F2	DWR1359B003	T-NUT,BLACK,1/4-20 X 0.563",0.50" TH,B-1359-003	2	\$2.92	\$7.45

Notes :

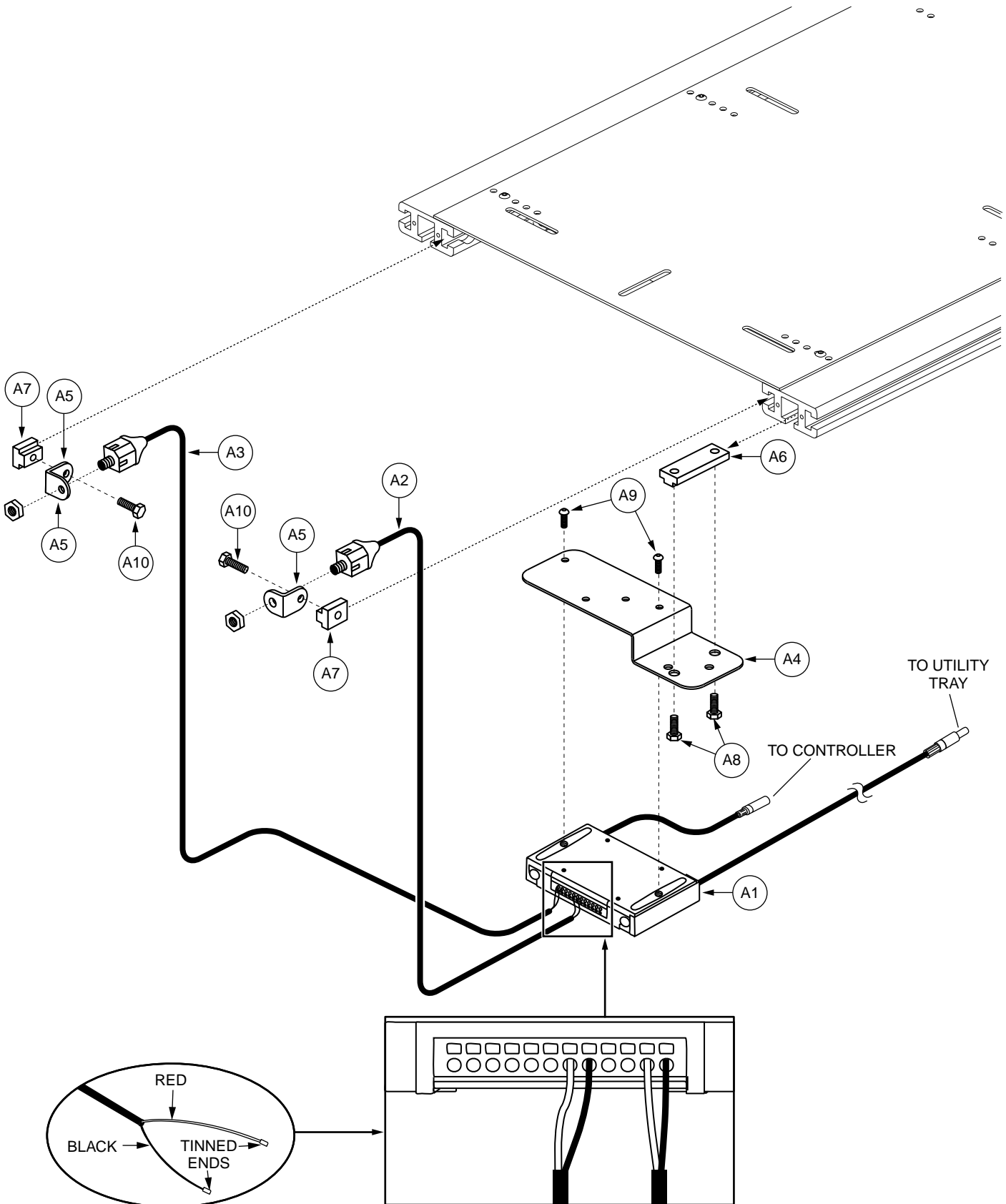
Top-level assemblies will include components designated with corresponding lower-case letters. Parts without lower-case extensions will be included in all top-level assemblies.



XVII. Legrest Hangers

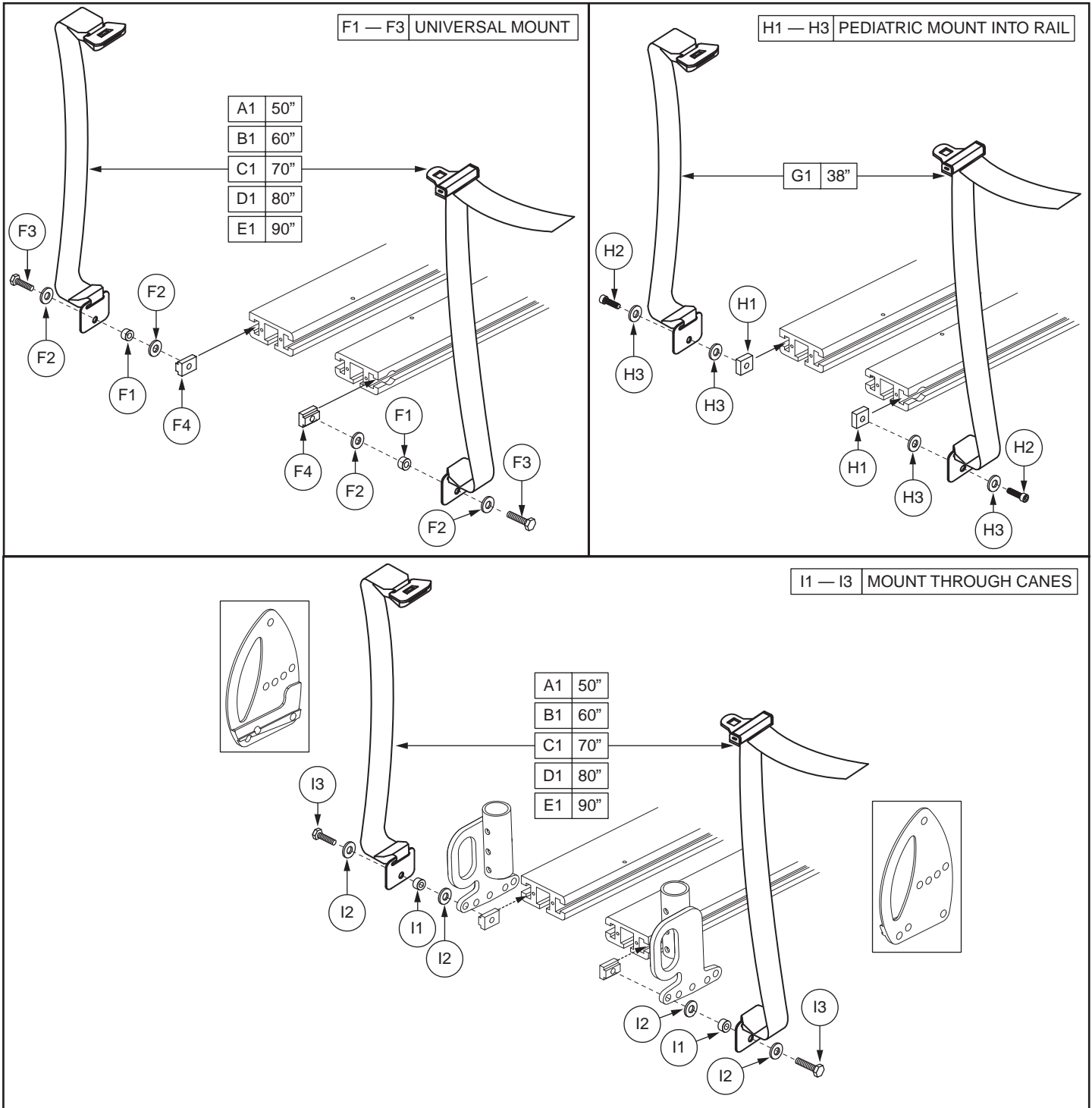


REF #	PART #	DESCRIPTION	QTY	Dealer \$	11i MSRP
A1 - B3	FRMASMB5258	LEGREST HANGER,ASSY,ELR/SA TAPER PIN,SYNERGY,SLOTTED,OFFSET,PAIR	1	\$59.53	\$151.81
A1 - A3	FRMASMB5255	LEGREST HANGER,ASSY,ELR & S/A TAPER PIN,SYNERGY,SLOTTED,OFFSET,LEFT,C-1360-085	1	\$29.12	\$74.26
A1	DWR1360C058	LEGREST HANGER WELDMENT, TAPER PIN, SLOTTED, OFFSET, LEFT	1	\$30.7	\$78.29
A2	SCRHHCS1256	SCREW, HHCS, BLACK ZINC, 5/16-18 X 0.625", GR 8, W/PATCH	1	\$1.29	\$3.28
A3	SCRSETS1064	SCREW, SET, BLACK ZINC, 5/16-18 X 0.375", W/NYLON TIP	1	\$1.1	\$2.81
B1 - B3	FRMASMB5254	LEGREST HANGER,ASSY,ELR & S/A TAPER PIN,SYNERGY,SLOTTED,OFFSET,RIGHT,C-1360-084	1	\$37.67	\$96.06
B1	DWR1360C059	LEGREST HANGER WELDMENT, TAPER PIN, SLOTTED, OFFSET, RIGHT	1	\$30.7	\$78.29
B2	SCRHHCS1256	SCREW, HHCS, BLACK ZINC, 5/16-18 X 0.625", GR 8, W/PATCH	1	\$1.29	\$3.28
B3	SCRSETS1064	SCREW, SET, BLACK ZINC, 5/16-18 X 0.375", W/NYLON TIP	1	\$1.1	\$2.81
C1 - D3	FRMASMB5257	LEGREST HANGER,ASSY,DROP- IN,SYNERGY,SLOTTED,OFFSET,PAIR	1	\$79.5	\$202.73
C1 - C3	FRMASMB5253	LEGREST HANGER,ASSY,DROP- IN,SYNERGY,SLOTTED,OFFSET,LEFT,C-1360-083	1	\$39.74	\$101.35
C1	DWR1360C057	LEGREST HANGER WELDMENT, HD DROP- IN, SLOTTED, OFFSET, LEFT	1	\$35.28	\$89.96
C2	SCRHHCS1256	SCREW, HHCS, BLACK ZINC, 5/16-18 X 0.625", GR 8, W/PATCH	1	\$1.29	\$3.28
C3	SCRSETS1064	SCREW, SET, BLACK ZINC, 5/16-18 X 0.375", W/NYLON TIP	1	\$1.1	\$2.81
D1 - D3	FRMASMB5252	LEGREST HANGER,ASSY,DROP- IN,SYNERGY,SLOTTED,OFFSET,RIGHT,C-1360-082	1	\$39.74	\$101.35
D1	DWR1360C056	HD DROP-IN LEGREST HANGER WELDMENT, SLOTTED, OFFSET, RIGHT	1	\$37.78	\$96.34
D2	SCRHHCS1256	SCREW, HHCS, BLACK ZINC, 5/16-18 X 0.625", GR 8, W/PATCH	1	\$1.29	\$3.28
D3	SCRSETS1064	SCREW, SET, BLACK ZINC, 5/16-18 X 0.375", W/NYLON TIP	1	\$1.1	\$2.81





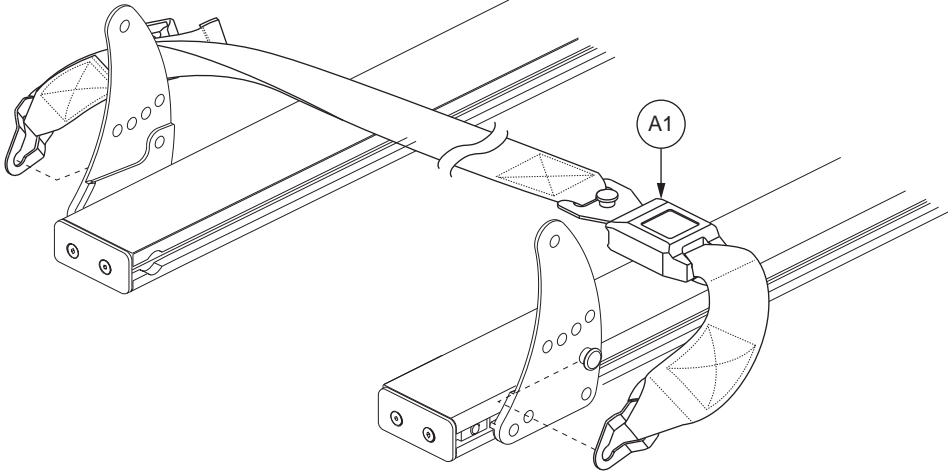
REF #	PART #	DESCRIPTION	QTY	Dealer \$	11i MSRP
A1 - A10	ELEASMB4579	ELECTRONIC,ASSY,REMOTE PLUS,SYNERGY SEAT,POWER LEGS THRU ALM,W/MOUNTING BRACKET	1	\$457.8	\$1167.39
A1	CTLDC1130	ELECTRONIC,MODULE,ALM-5L (5 ACTUATOR AND LIGHTING DUAL CABLE),(P&G: D49970)	1	\$420	\$1071
A2	DWR1361H033	ELECTRONIC,HARNESS,LEFT,ELR,H-1361-033	1	\$9.26	\$23.62
A3	DWR1361H034	ELECTRONIC,HARNESS,RIGHT,ELR,H-1361-034	1	\$9.26	\$23.62
A4	DWR1358C006	MOUNTING BRACKET,SWITCH-IT/ALM,SYNERGY SEAT,C-1358-006	1	\$9.92	\$25.3
A5	DWR1303B026	ELECTRICAL CONNECTION BRACKET,ARTICULATING LEGREST	2	\$5.74	\$14.62
A6	DWR1360B018	T-NUT,BLACK,5/16-18 X 2.25",W/1.75",HOLE SPACING,B-1360-018	1	\$3.47	\$8.86
A7	DWR1360A004	T-NUT,5/16-18 X 0.875",A-1360-004	2	\$2.37	\$6.03
A8	SCRHHCS1256	SCREW,HHCS,BLACK ZINC,5/16-18 X 0.625",GR 8,W/PATCH	2	\$1.29	\$3.28
A9	SCRASBH1028	SCREW,BHSCS,BLACK ZINC,10-32 X 0.375",GR 8,W/PATCH	2	\$1.16	\$2.96
A10	SCRHHCS1241	SCREW,HHCS,BLACK ZINC,5/16-18 X 0.75",GR 8,W/PATCH	2	\$1.12	\$2.86



XIX. Lap Belt Assembly — Standard

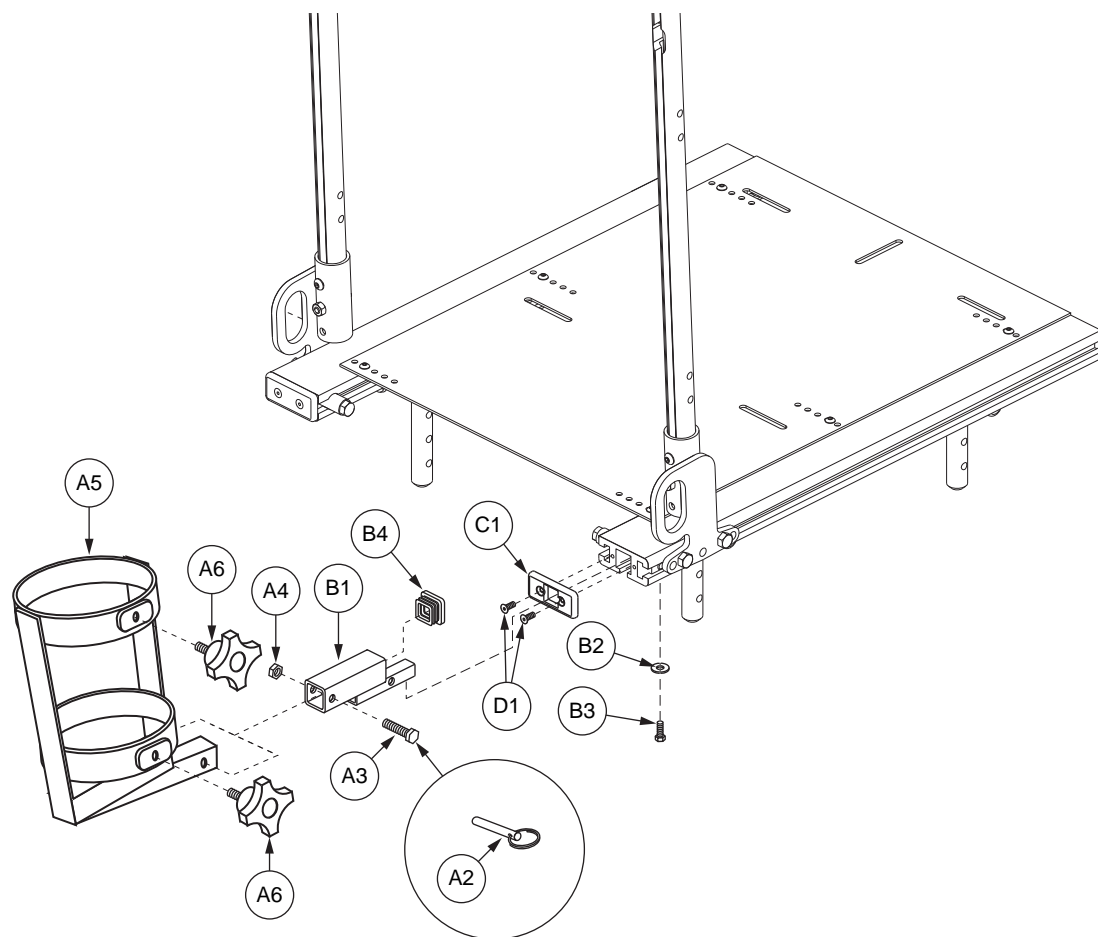


REF #	PART #	DESCRIPTION	QTY	Dealer \$	11i MSRP
A1	ACCBELT1000	LAP BELT,50",C-1010-336	1	\$21.42	\$54.62
B1	ACCBELT1002	LAP BELT,60",C-1010-336	1	\$21.42	\$54.62
C1	ACCBELT1003	LAP BELT,70",C-1010-336	1	\$21.42	\$54.62
D1	ACCBELT1004	LAP BELT,80",C-1010-336	1	\$20.65	\$52.65
E1	ACCBELT1001	LAP BELT,90",C-1010-336	1	\$20.66	\$52.67
F1	HDW130230	LAP BELT MOUNTING HARDWARE,ASSY,UNIVERSAL	1	\$2.13	\$5.44
G1	ACCBELT1006	LAP BELT,1-1/2 X 38",PEDIATRIC,AUTO STYLE,C-1010-336	1	\$25.47	\$64.95
H1	HDW131909	LAP BELT MOUNTING HARDWARE,ASSY,PEDIATRIC/POSITIONING	1	N/A	N/A
I1	HDW138689	LAP BELT MOUNTING HARDWARE,ASSY,BACK CANE MOUNTED	1	N/A	N/A



REF #	PART #	DESCRIPTION	QTY	Dealer \$	MSRP	11i
A1	ACCBELT1016	LAP BELT,60",NON-RETRACTABLE,(SURE-LOK: FE201070)	1	\$72	\$120	

XX. Oxygen Tank Holder and Mounting Bracket



REF #	PART #	DESCRIPTION	QTY	Dealer \$	11i MSRP
A1 - D1	FRMASMB7030	OXYGEN TANK HOLDER,ASSY,W/MOUNTING BRACKET,SYNERGY SEAT,TEXTURED	1	\$59.73	\$152.31
*A1	INFINFB1023	MANUAL,INSTRUCTION SHEET,JAZZY,OXYGEN HOLDER	1	N/A	N/A
A2	PINCOTD1006	PIN,COTTERLESS DETENT W/RING,.375" DIA X 2.00"	1	\$2.29	\$5.85
A3	SCRHHCS1072	SCREW,HHCS,BLACK ZINC,3/8-24 X 1.75",GRADE 5	1	\$1.18	\$3.01
A4	NUTNYLK1035	NUT, NYLOCK,BLACK ZINC,3/8-24	1	\$1.18	\$3.01
A5	DWR1000E146B	OXYGEN TANK HOLDER WELDMENT,JAZZY/SCOOTER,TEXTURED	1	\$34.45	\$87.85
A6	DWR1000B152	HANDLE,LOCK KNOB,B-1000-152	2	\$1.6	\$4.09
B1 - B4	FRMASMB6828	MOUNTING BRACKET,ASSY,ACCESSORY,SYNERGY SEAT,VERSION 2	1	\$20.07	\$51.19
B1	DWR1360B044B	MOUNTING BRACKET,WELDMENT,ACCESSORY,SYNERGY SEAT,VERSION 2,TEXTURED,B-1360-044	1	N/A	N/A
B2	WASSTND1042	WASHER,FLAT,BLACK ZINC,0.3125" ID X 0.75" OD X 0.0625"TH	1	\$1.12	\$2.86
B3	SCRHHCS1241	SCREW,HHCS,BLACK ZINC,5/16-18 X 0.75",GR 8,W/PATCH	1	\$1.12	\$2.86
B4	PROECAP1030	END CAP,PLASTIC,1.25" SQUARE,FITS 12 GAUGE TUBE,RIBBED	1	N/A	N/A
C1	DWR1360B006	EXTRUSION END CAP,SYNERGY SEAT, FRONT,B-1360-006	1	\$1.1	\$2.81
D1	SCRSHFH1036	SCREW,SHFH,BLACK ZINC,8-32 X 0.50",GRADE 8,W/NYLON PATCH	2	\$1.12	\$2.86

Notes :

*A1 Not shown.

XXI. Owner's Package



REF #	PART #	DESCRIPTION	QTY	Dealer \$	MSRP	11i
*N/A	INDASMB1251	OWNER'S PACKAGE,ASSY,SYNERGY SEAT	1	\$12.78	\$32.59	
*N/A	INFMANU2015	MANUAL, BASIC OPERATION INSTRUCTIONS, SYNERGY SEATING SYSTEM	1	\$5.51	\$14.06	

Notes :

*N/A Not applicable.





Pride[®]

Mobility Products Corp.

www.pridemobility.com

Pride[®] Mobility Products Corporation

182 Susquehanna Avenue
Exeter, PA 18643
USA

Pride[®] Mobility Products Company

5095 South Service Road
Beamsville, ON L0R 1B3
Canada

Pride[®] Mobility Products Ltd.

32 Wedgwood Road
Bicester, Oxon OX26 4UL
UK

Pride[®] Mobility Products Australia Pty. Ltd.

20-24 Apollo Drive
Hallam, Victoria 3803
Australia

Pride[®] Mobility Products Italia S.r.l.

Via del Porgresso - ang. Via del Lavoro
Loc. Prato della Corte
00065 - Fiano Romano (RM)

Pride[®] Mobility Products Europe B.V.

Castricummer Werf 26
1901 RW Castricum
The Netherlands