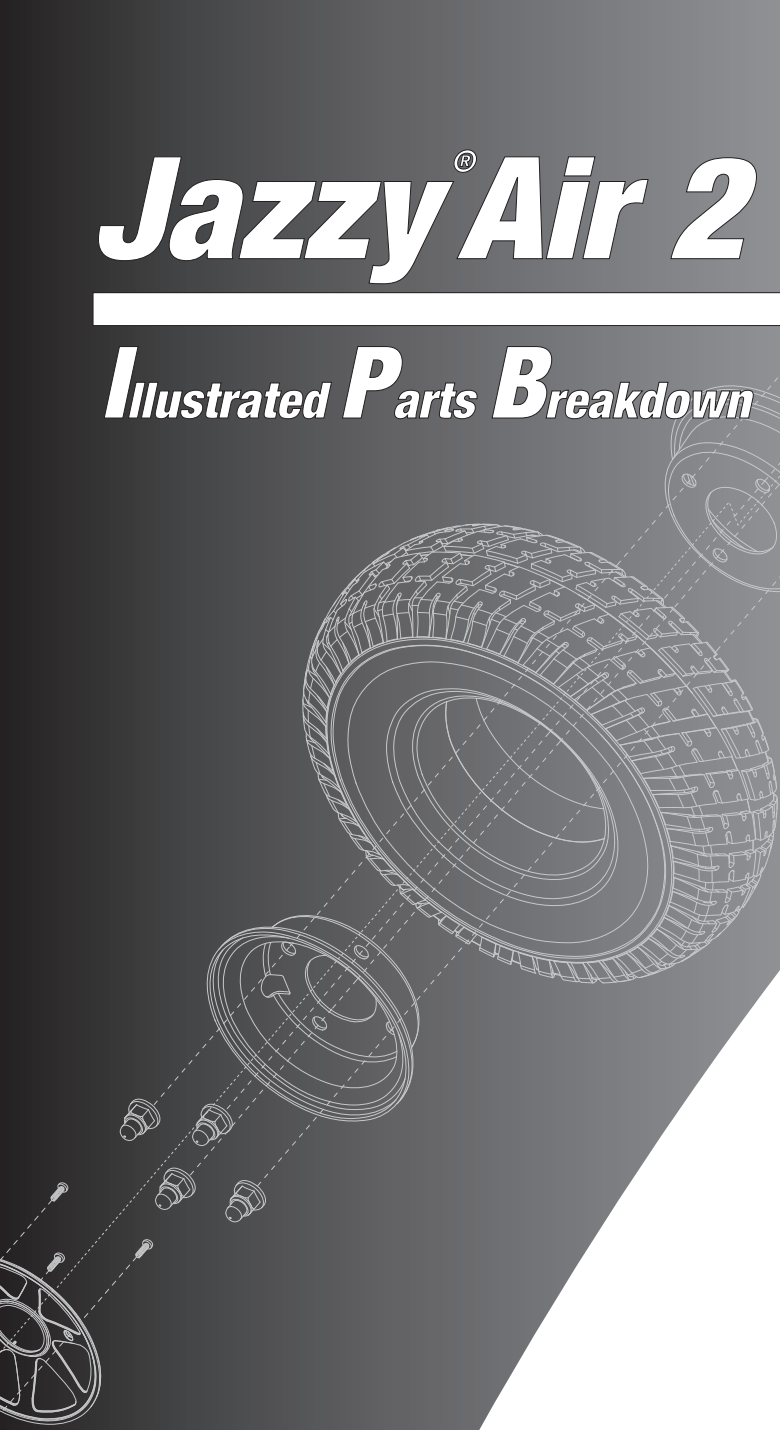


Jazzy[®] Air 2

AU

AGM# 088 609 661

Illustrated *P*arts *B*reakdown



Pride[®]

Your new Pride Illustrated Parts Breakdown (IPB) Manual has been compiled from the latest product information available at the time of publication. Pride[®] Mobility Products Corporation reserves the right to make changes and updates to this manual and to the product(s) it represents. Any changes, updates, or improvements to the product(s) may result in slight differences between this manual and the product you purchased.

An IPB is an illustrated parts listing of all product components which have maintenance significance. IPB's utilize "exploded" drawings to detail the individual components for each assembly and an itemized list of reference numbers, part numbers, descriptions, and quantities per assembly. Some parts may be included in an assembly but may not be available for purchase separately. Refer to the parts list to locate the part numbers for assemblies and components for ordering what you need.

To achieve proper identification and relationship of detail parts and next higher assemblies, parts listings are presented in a convenient alphanumeric reference system. Reference numbers for parent assemblies identify one part number that can be used to order all of the components listed within it. Components of an assembly will have the same alpha character as its parent assembly.

- For example, the parent assembly part number using reference number of A1 — A4 is the only number you need to place an order for parts with references of A1, A2, A3, and A4. Instead of ordering 4 separate parts, use the parent assembly part number to get the complete assembly.

Master assembly part numbers have reference numbers that include several subassemblies. By ordering parts using master assembly part numbers, you can save a lot of time and reduce the chance for error.

- For example, A1 — G10, a master assembly reference number, includes all components of assemblies A, B, C, D, E, F, and G. Use caution when ordering assemblies. Check to see if a master assembly part number exists for the components that you need. If an entire master assembly is not needed, then the individual assembly part number (i.e. for reference number G1 — G10) will be sufficient to use for ordering.

Asterisks (*) and NOTES are used throughout this service manual to point out important information regarding assembly structure and contents.

- For example, in some illustrations, only the left OR right side is shown. In other drawings, only the front OR back is depicted. The part numbers for ALL components are listed. An asterisk will also be used to indicate which components are not illustrated. Illustrated Items without callouts are shown for assembly purposes.

Updates to the contents of this IPB will be made on a regular basis. Providers may retrieve updates immediately upon their release by going to the Pride Service Website. The web address is www.prideprovider.com. We welcome any questions or comments regarding the new Pride IPB Manual that you may have.

Please note that all pricing that is included with this manual is subject to change without any prior notice from Pride.

Thank you for choosing products from Pride[®] Mobility Products Corporation.

SECTION I.

Frame Assembly

- Main Frame Assembly 4
- Front Caster Arm with Motor 6
- Rear Articulating Beam 8

SECTION II.

Electronics Assembly 10

SECTION III.

Joystick, Actuator Switch & Light Switch 12

SECTION IV.

Charger 13

SECTION V.

Foot Platform, Seat Interface & Under Seat Storage 14

SECTION VI.

Seat Assembly 16

SECTION VII.

Shroud Assembly 18

SECTION VIII.

Accessories

- Cane/Crutch Holder 20
- Oxygen Holder 21
- Rear Basket 22
- Walker Holder 23
- Docking Device Assembly 24

SECTION IX.

Drive Wheel Assembly 25

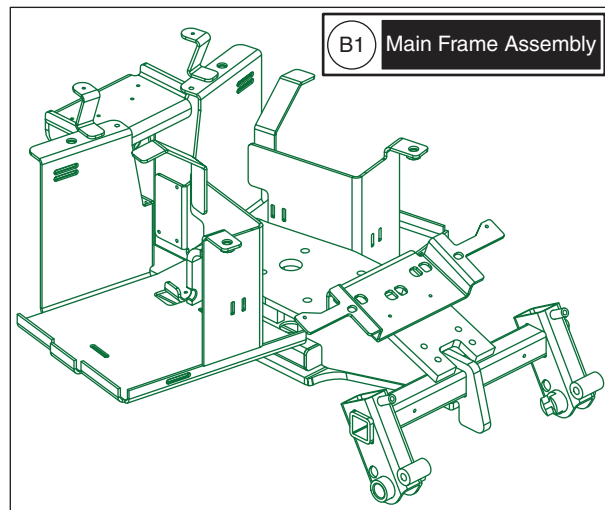
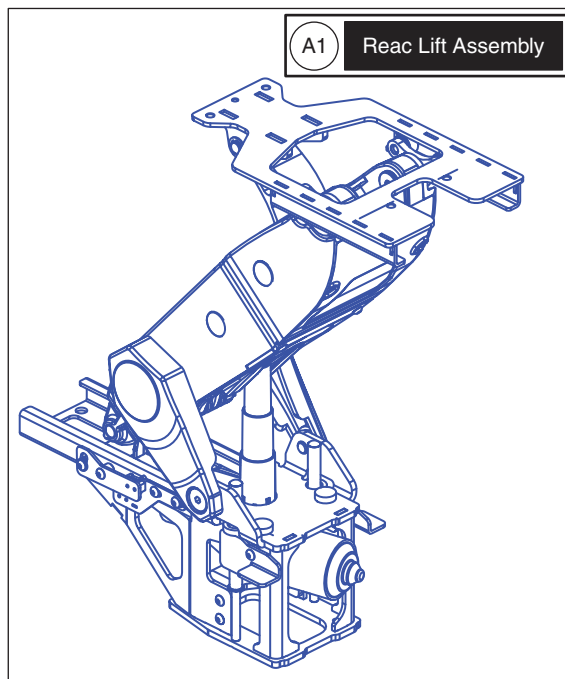
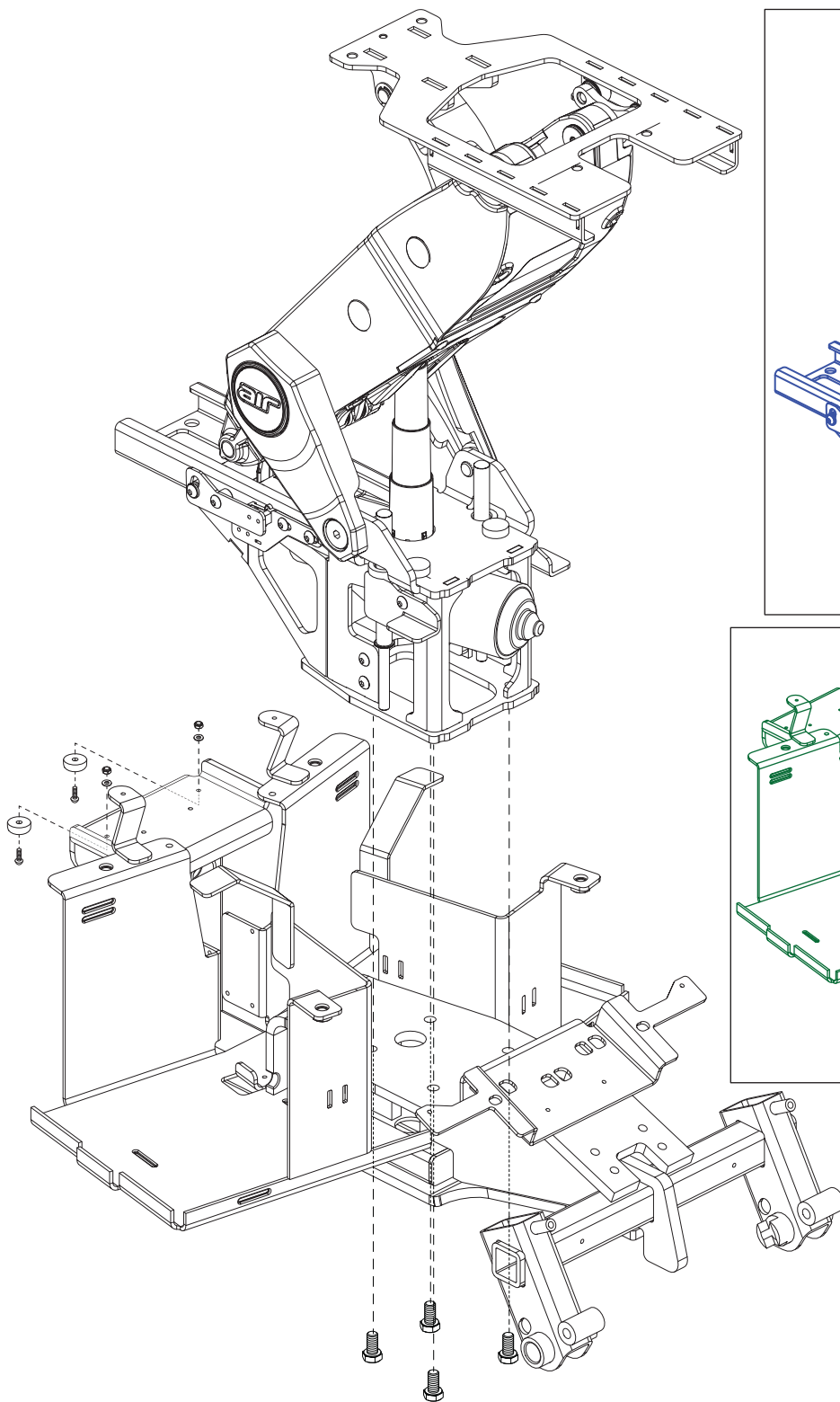
SECTION X.

Owner's Package 26

SECTION XI.

Decal Package 27

When applicable, assemblies are grouped by color. All components with that color are included in the assembly.



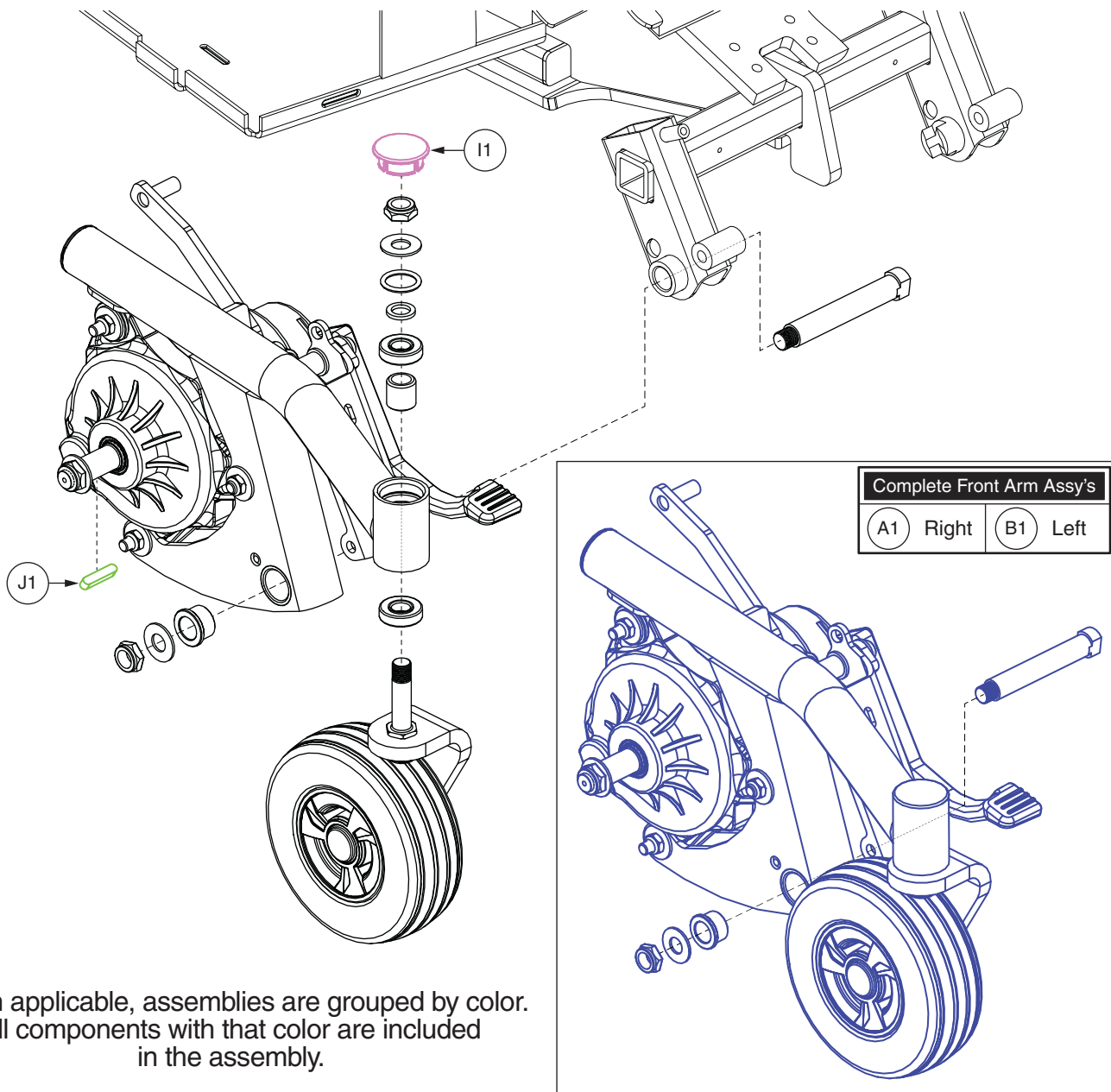
I. Frame Assembly — Main Frame Assembly

REF #	PART #	DESCRIPTION	QTY	MSRP (AU\$) ¹¹ⁱ
A1	MEC1701394	12 INCH REAC LIFT, JAZZY AIR	1	N/A
B1	MEC1706140	FRAME WELDMENT, JAZZY AIR 2.0	1	N/A
*C1	MEC154624	BATTERY STRAP	2	37.04
*D1	MEC154626	BACK STRAP, SMALL BATTERY	2	24.66

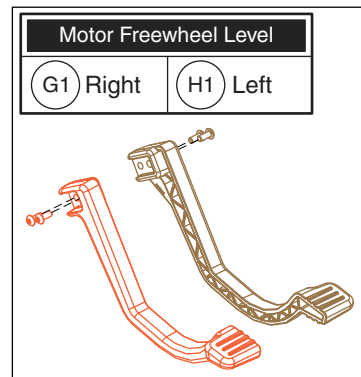
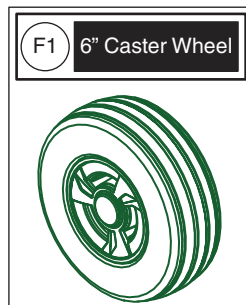
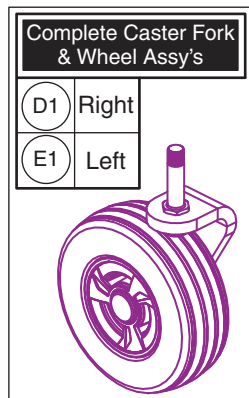
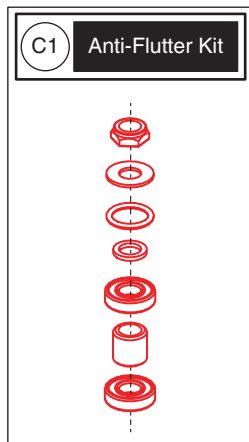
Notes :

*C1 Not Shown.
*D1 Not Shown.

I. Frame Assembly — Front Caster Arm with Motor



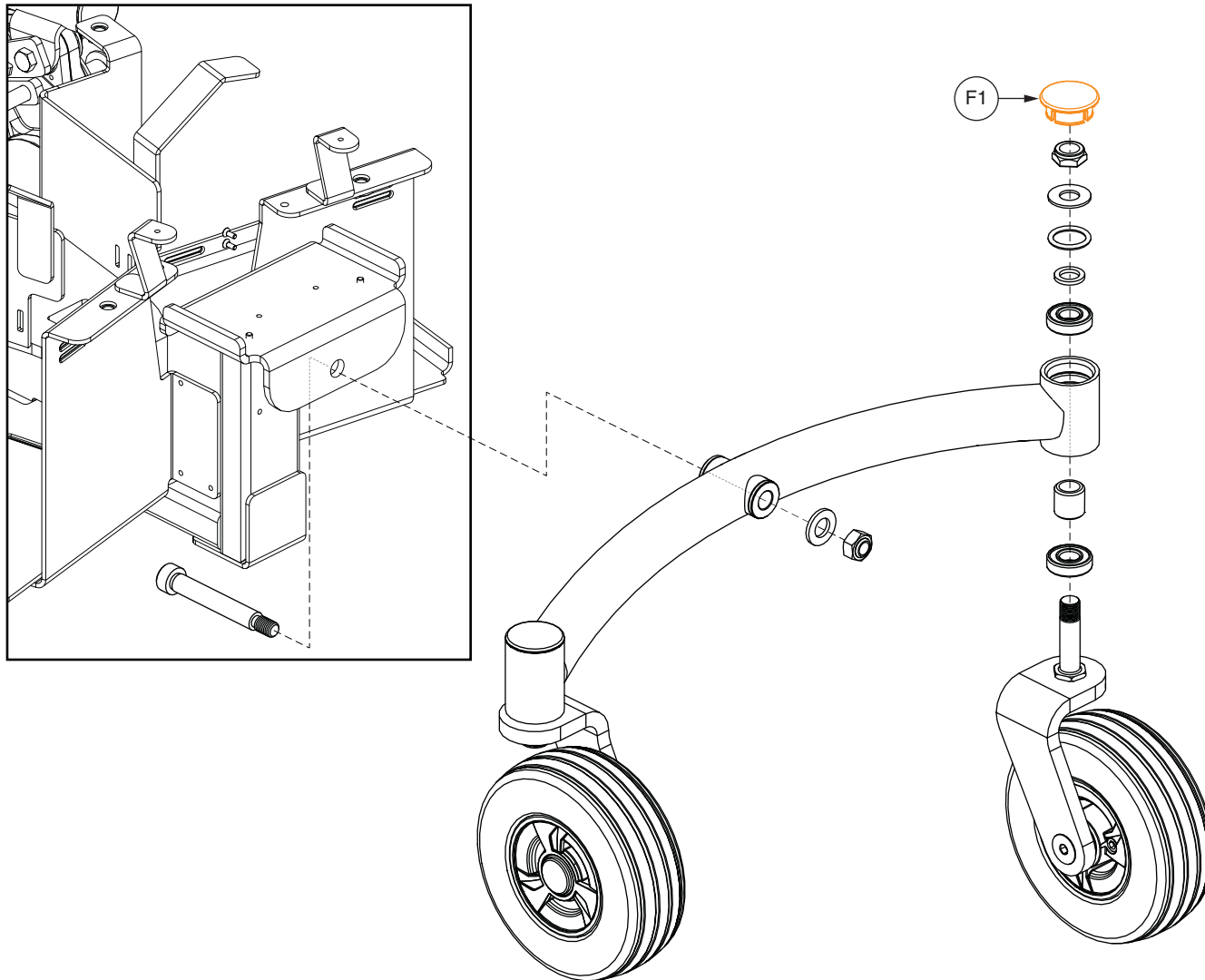
When applicable, assemblies are grouped by color.
All components with that color are included
in the assembly.



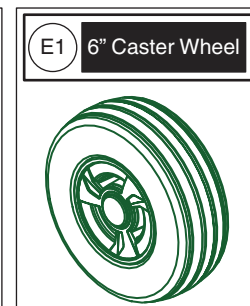
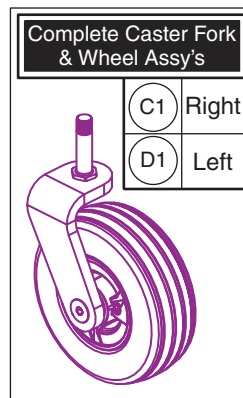
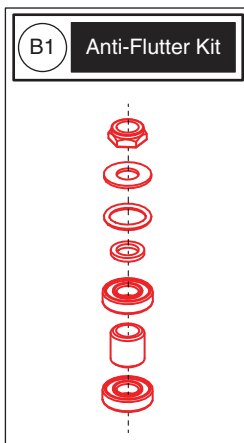
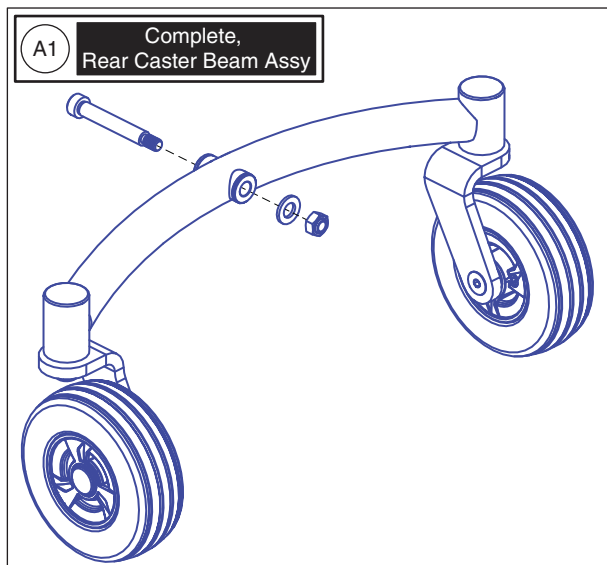
*** Please note: right side is shown for assembly purposes.***

I. Frame Assembly — Front Caster Arm with Motor

REF #	PART #	DESCRIPTION	QTY	MSRP (AU\$) ¹¹ⁱ
A1	MEC1706671	FRAME,ASSY,FRONT ARM W/CASTER & MOTORS,RIGHT,JAZZY AIR 2.0	1	N/A
B1	MEC1706670	FRAME,ASSY,FRONT ARM W/CASTER & MOTORS,LEFT,JAZZY AIR 2.0	1	N/A
C1	HDWASMB1078	ANTI-FLUTTER KIT,ASSY,JAZZYSELECT,B-1060-050	1	68.4
D1	MEC1706033	CASTER ASSY, 6", SINGLE-SIDED FORK, RIGHT	1	N/A
E1	MEC1706032	CASTER ASSY, 6", SINGLE-SIDED FORK, LEFT	1	N/A
F1	WHL1706146	6IN CASTER WHEEL ASSEMBLY	1	N/A
G1	MEC154375	FREEWHEEL LEVER, RIGHT	1	10.88
H1	MEC154374	FREEWHEEL LEVER, LEFT	1	10.88
I1	DWR1060B016	COVER,CAP,PLASTIC,CASTER BARREL,B-1060-016	1	6.04
J1	KEYSTL1009	KEYWAY,STEEL,6MM X 6MM X 30MM	1	6.48



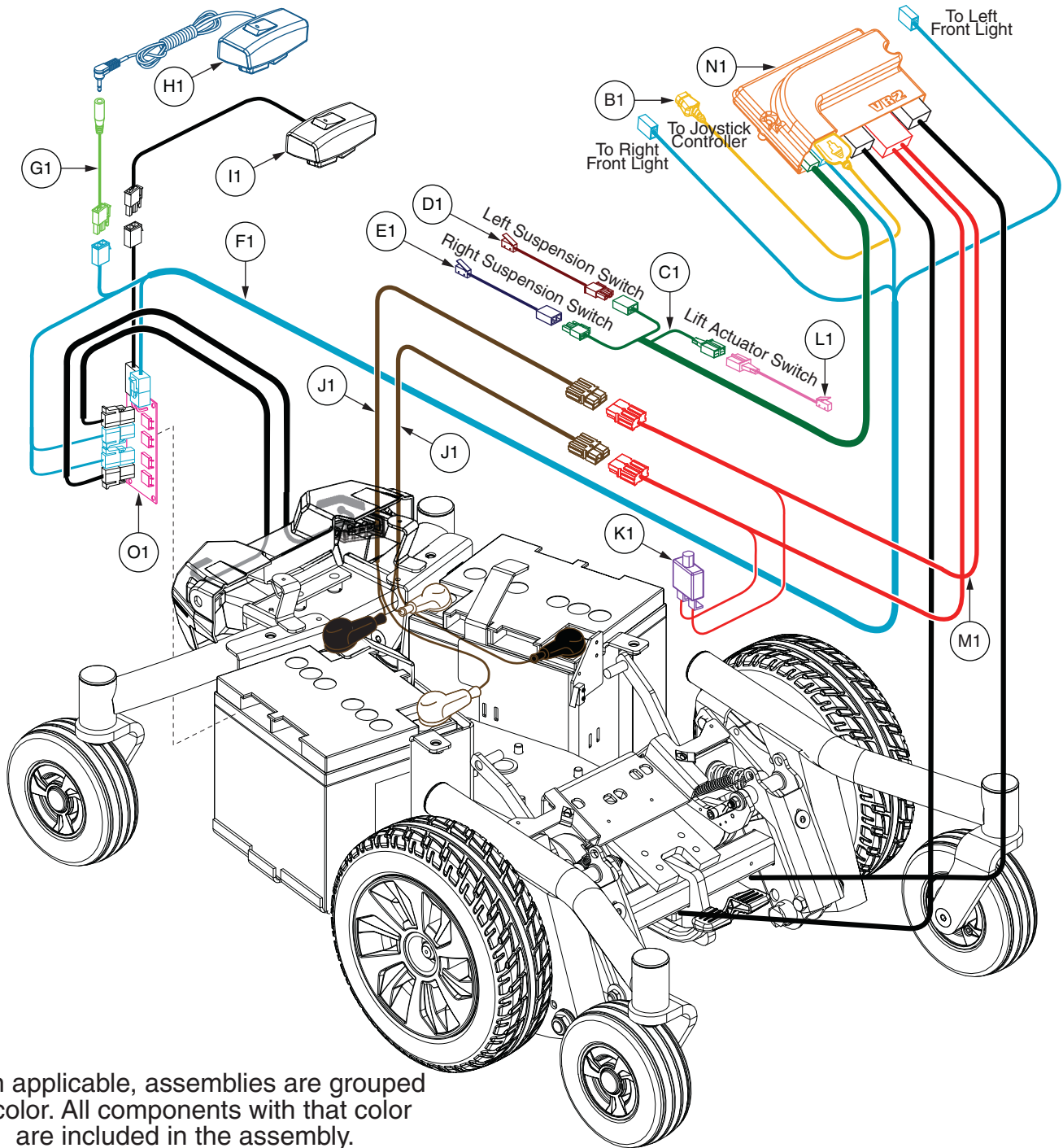
*** Please note: right side is shown for assembly purposes.***



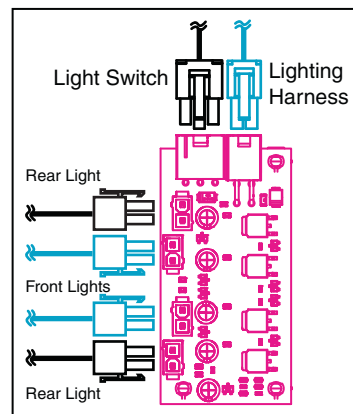
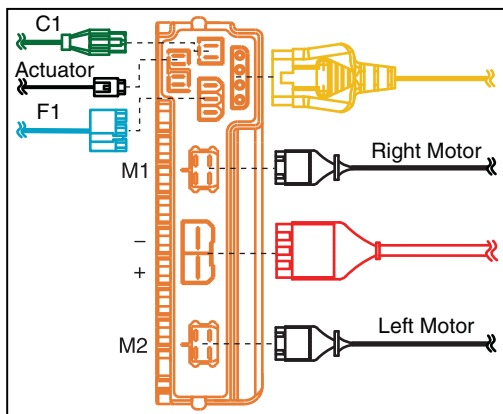
When applicable, assemblies are grouped by color. All components with that color are included in the assembly.

I. Frame Assembly — Rear Articulating Beam

REF #	PART #	DESCRIPTION	QTY	MSRP (AU\$) ¹¹ⁱ
A1	MEC1706052	CASTER BEAM ASSEMBLY,6-INCH, JAZZY AIR 2.0	1	N/A
B1	HDWASMB1078	ANTI-FLUTTER KIT,ASSY,JAZZYSELECT,B-1060-050	2	68.4
C1	MEC1706033	CASTER ASSY, 6", SINGLE-SIDED FORK, RIGHT	1	N/A
D1	MEC1706032	CASTER ASSY, 6", SINGLE-SIDED FORK, LEFT	1	N/A
E1	WHL1706146	6IN CASTER WHEEL ASSEMBLY	1	N/A
F1	DWR1060B016	COVER,CAP,PLASTIC,CASTER BARREL,B-1060-016	1	6.04



When applicable, assemblies are grouped by color. All components with that color are included in the assembly.

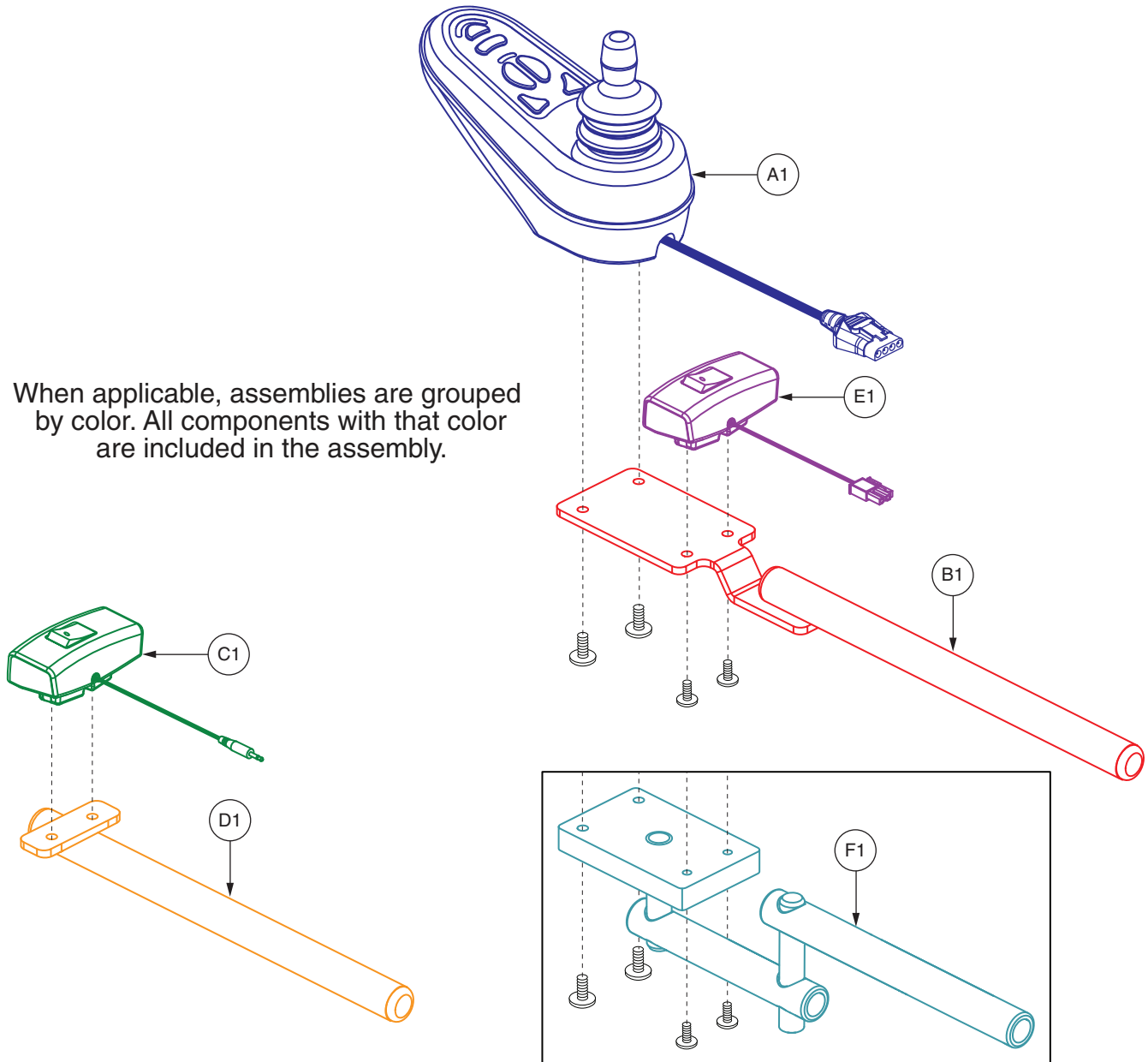


REF #	PART #	DESCRIPTION	QTY	MSRP (AU\$)
*A1	ELE1706632	ELECTRONIC,ASSY,VR2,OFFBOARD CHARGER,JAZZY AIR 2.0	1	N/A
B1	ELE1800022	VR2 EXTENSION CABLE 2M (P&G: SA81797)	1	N/A
C1	ELE154541	HARNESS,SUSPENSION LOCK,JAZZY AIR	1	38.96
D1	ELE154823	HARNESS,LEFT SUSPENSION SWITCH,JAZZY AIR	1	32.1
E1	ELE154824	HARNESS,RIGHT SUSPENSION SWITCH,JAZZY AIR	1	32.1
F1	ELE155078	JAZZY AIR LIGHTING HARNESS	1	78.34
G1	ELE155079	HARNESS,JAZZY AIR,BUDDY BUTTON EXTENSION HARNESS	1	61.96
H1	ELE1804439	ACTUATOR SWITCH,ASSEMBLY,JAZZY AIR 2.0	1	N/A
I1	ELE1804438	LIGHT SWITCH,ASSEMBLY,JAZZY AIR 2.0	1	N/A
J1	DWR1060H001	ELECTRONIC,HARNESS,BATTERY CABLE,GC,JAZZYSELECT,H-1060-001	2	116.74
K1	ELECBRK1001	ELECTRONIC,CIRCUIT BREAKER,25AMP,SC150	1	83.56
L1	ELE155648	HARNESS, LIFT ACTUATOR SWITCH, JAZZY AIR	1	38.8
M1	ELE1706596	JAZZY AIR 2.0 POWER HARNESS	1	N/A
N1	CTL1807519	CONTROLLER,VR2,ASSY,40 AMP,1 ACTUATOR,JAZZY AIR 2	1	N/A
O1	ELE154790	JAZZY AIR LED BOARD	1	142.64

Notes :

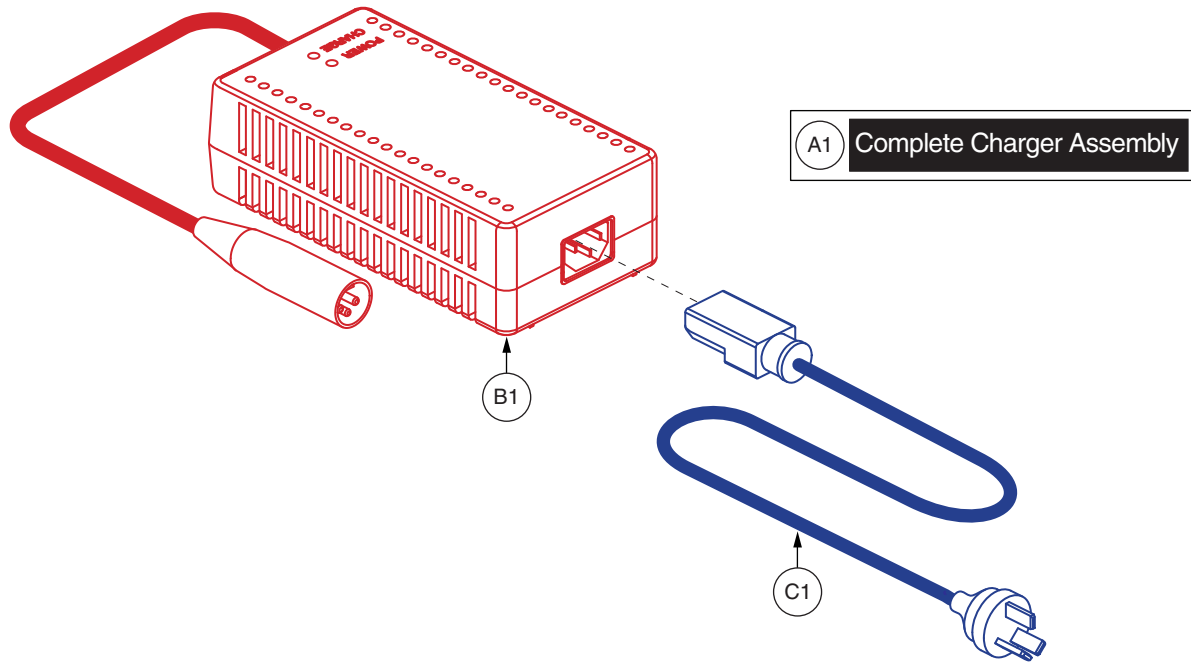
*A1 Includes all components.

When applicable, assemblies are grouped by color. All components with that color are included in the assembly.



REF #	PART #	DESCRIPTION	QTY	MSRP (AU\$) ¹¹ⁱ
A1	CTLDC1498	CONTROLLER,JOYSTICK MODULE,6 KEY,VR2,H-1111-063,(P&G: D50680)	1	812.76
B1	MEC156107	JOYSTICK MOUNTING BRACKET,ASSY,GC/VR2	1	26.44
C1	ELE1804439	ACTUATOR SWITCH,ASSEMBLY,JAZZY AIR 2.0	1	N/A
D1	MEC1804143	MOUNT TUBE WELDMENT	1	N/A
E1	ELE1804438	LIGHT SWITCH,ASSEMBLY,JAZZY AIR 2.0	1	N/A
F1	MEC168060	RETRACT 4 SWING AWAY JOYSTICK ASSY,JAZZY AIR	1	1100

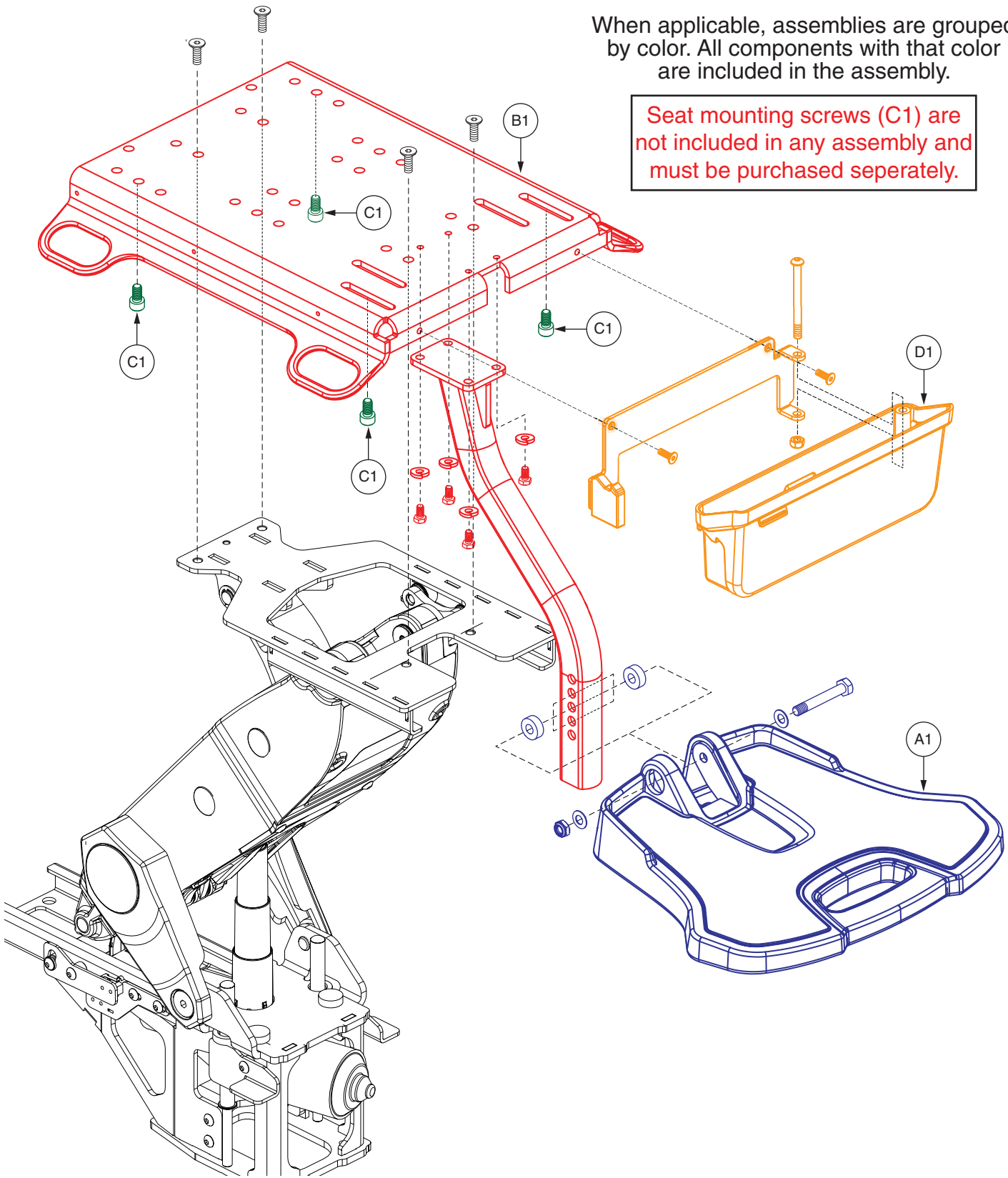
When applicable, assemblies are grouped by color. All components with that color are included in the assembly.



REF #	PART #	DESCRIPTION	QTY	MSRP (AU\$) ¹¹ⁱ
A1	ELE1803473	CHARGER, OFFBOARD, LOW INHIBIT, AC 100V-240V, DC 28.6-29.6V @5A, AGM/GEL SELECTABLE. WITH AUSTRALIA CORDSET	1	N/A
B1	ELE1803466	CHARGER, OFFBOARD, LOW INHIBIT, AC 100V-240V, DC 28.6-29.6V @5A, AGM/GEL SELECTABLE. WITHOUT CORDSET	1	N/A
C1	DWR1000H174	ELECTRONIC,HARNESS,AC POWER CORD,INSULATED BLADES,AUSTRALIA,H-1000-174	1	44.98

When applicable, assemblies are grouped by color. All components with that color are included in the assembly.

Seat mounting screws (C1) are not included in any assembly and must be purchased separately.

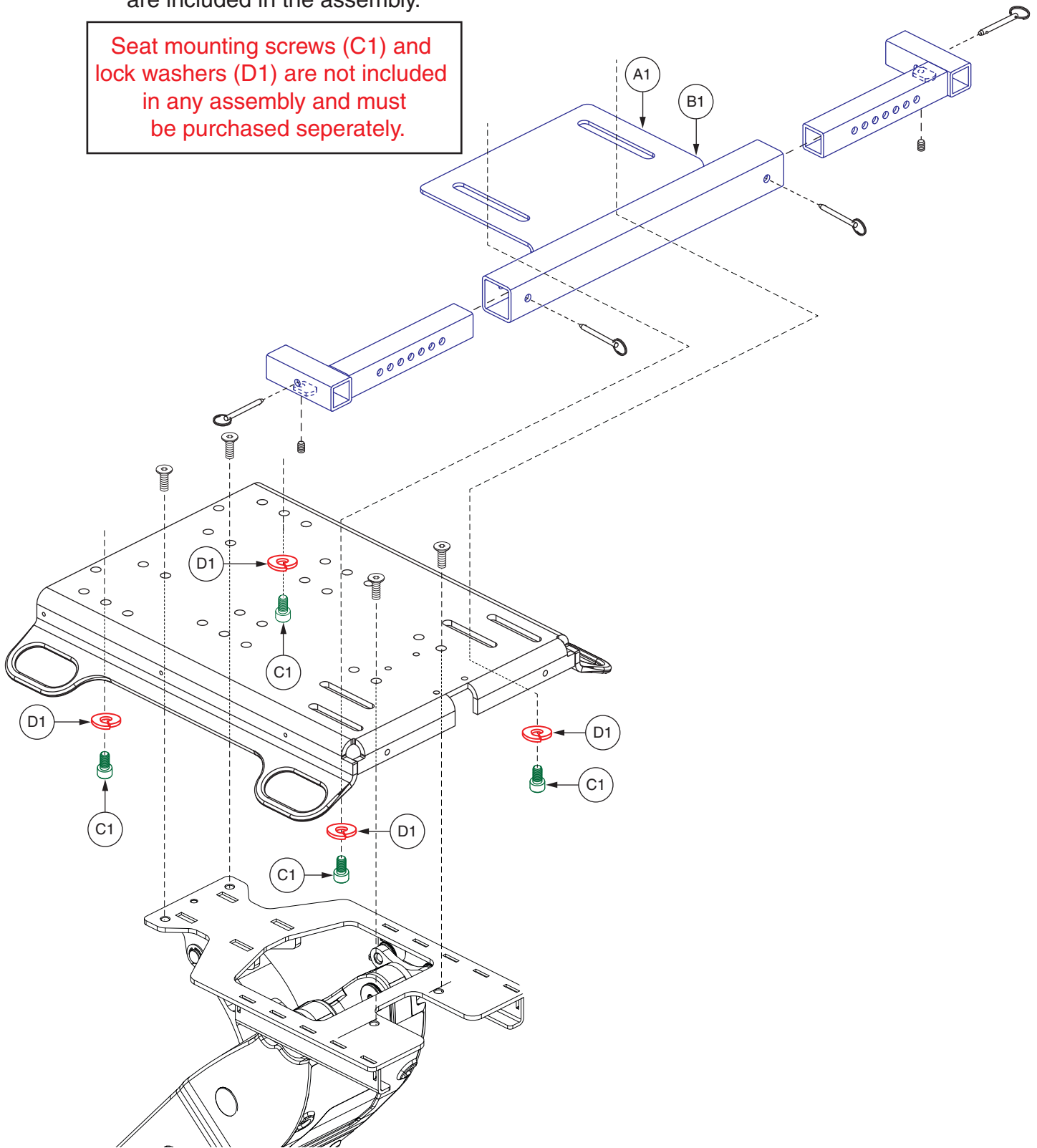


REF #	PART #	DESCRIPTION	QTY	MSRP (AU\$) ¹¹ⁱ
A1	MEC1713981	FOOTREST ASSEMBLY, COMPLETE	1	N/A
B1	MEC1713046	SEAT INTERFACE ASSY, JAZZY AIR 2.0	1	N/A
C1	HDW125250	SCREW, SOCKET HEAD, M8X1.25 X 20, ISO 4762, CL 12.9, BZ, PVTP	4	6.04
D1	DGN1806840	STORAGE ASSEMBLY, JAZZY AIR 2	1	N/A

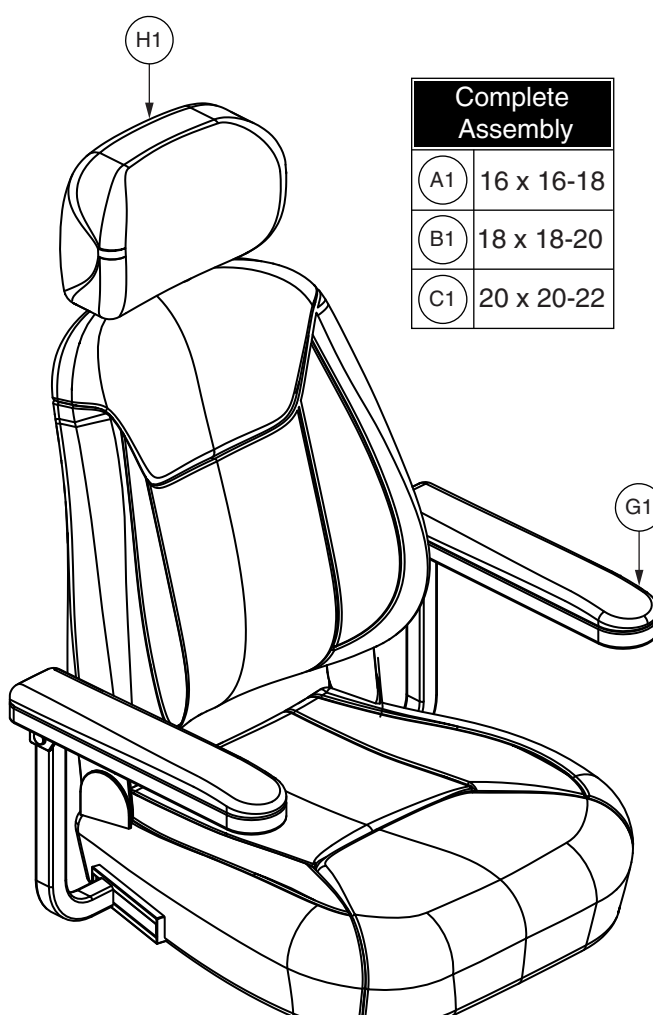
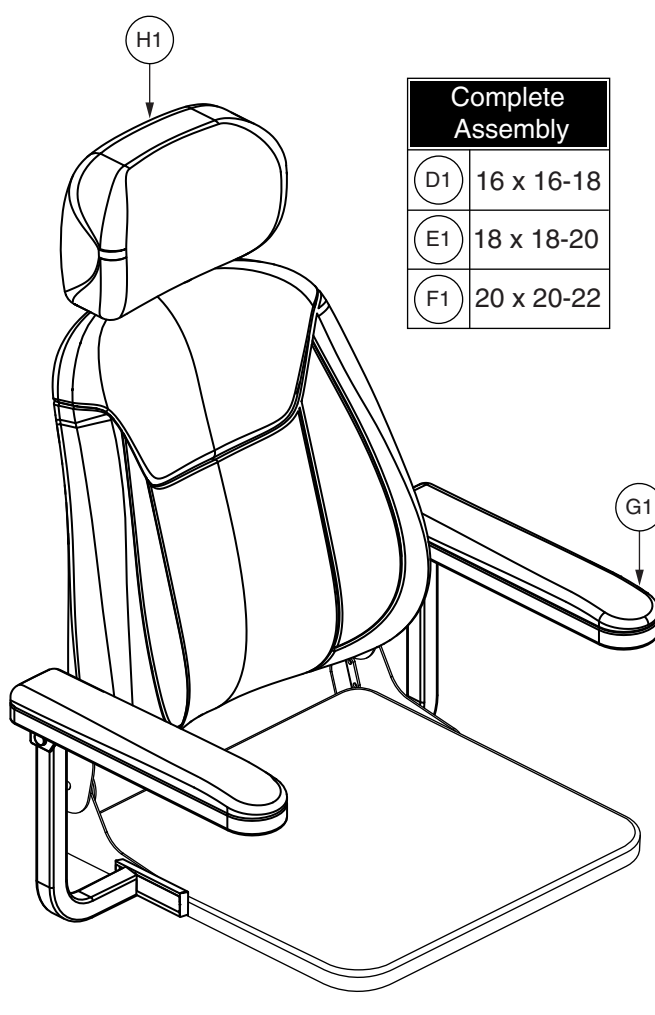
V. Mounting Plate for Foot Riggings

by color. All components with that color are included in the assembly.

Seat mounting screws (C1) and lock washers (D1) are not included in any assembly and must be purchased separately.



REF #	PART #	DESCRIPTION	QTY	MSRP (AU\$) ¹¹ⁱ
A1	KIT1801691	KIT ASSEMBLY, MOUNTING, SWING A WAY LEGRESTS, JAZZY AIR	1	775.2
B1	KIT1801692	KIT ASSEMBLY, MOUNTING, ELEVATING LEGRESTS, JAZZY AIR	1	563.6
C1	HDW125250	SCREW, SOCKET HEAD, M8X1.25 X 20, ISO 4762, CL 12.9, BZ, PVTP	4	6.04
D1	WASLOCK1059	WASHER, LOCK, BLACK ZINC, M8	4	5.92

Fold Flat Captain's Seat	Fold Flat with Solid Seat Pan																
 <table border="1" style="margin-left: auto; margin-right: auto; border-collapse: collapse;"> <thead> <tr style="background-color: black; color: white;"> <th colspan="2" style="text-align: center;">Complete Assembly</th> </tr> </thead> <tbody> <tr> <td style="text-align: center;">A1</td> <td style="text-align: center;">16 x 16-18</td> </tr> <tr> <td style="text-align: center;">B1</td> <td style="text-align: center;">18 x 18-20</td> </tr> <tr> <td style="text-align: center;">C1</td> <td style="text-align: center;">20 x 20-22</td> </tr> </tbody> </table>	Complete Assembly		A1	16 x 16-18	B1	18 x 18-20	C1	20 x 20-22	 <table border="1" style="margin-left: auto; margin-right: auto; border-collapse: collapse;"> <thead> <tr style="background-color: black; color: white;"> <th colspan="2" style="text-align: center;">Complete Assembly</th> </tr> </thead> <tbody> <tr> <td style="text-align: center;">D1</td> <td style="text-align: center;">16 x 16-18</td> </tr> <tr> <td style="text-align: center;">E1</td> <td style="text-align: center;">18 x 18-20</td> </tr> <tr> <td style="text-align: center;">F1</td> <td style="text-align: center;">20 x 20-22</td> </tr> </tbody> </table>	Complete Assembly		D1	16 x 16-18	E1	18 x 18-20	F1	20 x 20-22
Complete Assembly																	
A1	16 x 16-18																
B1	18 x 18-20																
C1	20 x 20-22																
Complete Assembly																	
D1	16 x 16-18																
E1	18 x 18-20																
F1	20 x 20-22																
<p>***Seat mounting screws (K1) are not included in any assembly and must be purchased separately.***</p>																	

VI. Seat Assembly

REF #	PART #	DESCRIPTION	QTY	MSRP (AU\$) ¹¹ⁱ
A1	SET1701577	SEAT,ASSY,FOLD FLAT CAPTAIN SEAT,BLACK VINYL,16 X 16-18 W/PRIDE LOGO,60" LAP BELT,(VISCOUNT: PR-102)	1	1399.12
B1	SET1701578	SEAT,ASSY,FOLD FLAT CAPTAIN SEAT,BLACK VINYL,18 X 18-20 W/PRIDE LOGO,60" LAP BELT,(VISCOUNT: PR-103)	1	1399.12
C1	SET1701579	SEAT,ASSY,FOLD FLAT CAPTAIN SEAT,BLACK VINYL,20 X 20-22 W/PRIDE LOGO,60" LAP BELT,(VISCOUNT: PR-104)	1	1466.6
D1	SET1701580	SEAT,ASSY,FOLD FLAT SOLID SEAT PAN,BLACK VINYL,16 X 16-18 W/PRIDE LOGO,60" LAP BELT,(VISCOUNT: PR-105)	1	1318.16
E1	SET1701581	SEAT,ASSY,FOLD FLAT SOLID SEAT PAN,BLACK VINYL,18 X 18-20 W/PRIDE LOGO,60" LAP BELT,(VISCOUNT: PR-106)	1	1318.16
F1	SET1701582	SEAT,ASSY,FOLD FLAT SOLID SEAT PAN,BLACK VINYL,20 X 20-22 W/PRIDE LOGO,60" LAP BELT,(VISCOUNT: PR-107)	1	1385.62
G1	ARM156696	ARMREST ASSEMBLY,LEFT/RIGHT,(VISCOUNT PR-15)	2	463.3
H1	SET160081	HEADREST ASSEMBLY,(VISCOUNT:H-PR15)	1	206.46
*I1	ACCBELT1002	LAP BELT,60",C-1010-336	1	111.42
*J1	HDW160283	HARDWARE,ASSY,VISCOUNT SEAT,JAZZY AIR	1	68.82
*K1	HDW125250	SCREW,SOCKET HEAD,M8X1.25 X 20,ISO 4762,CL 12.9,BZ,PVTP	4	6.04

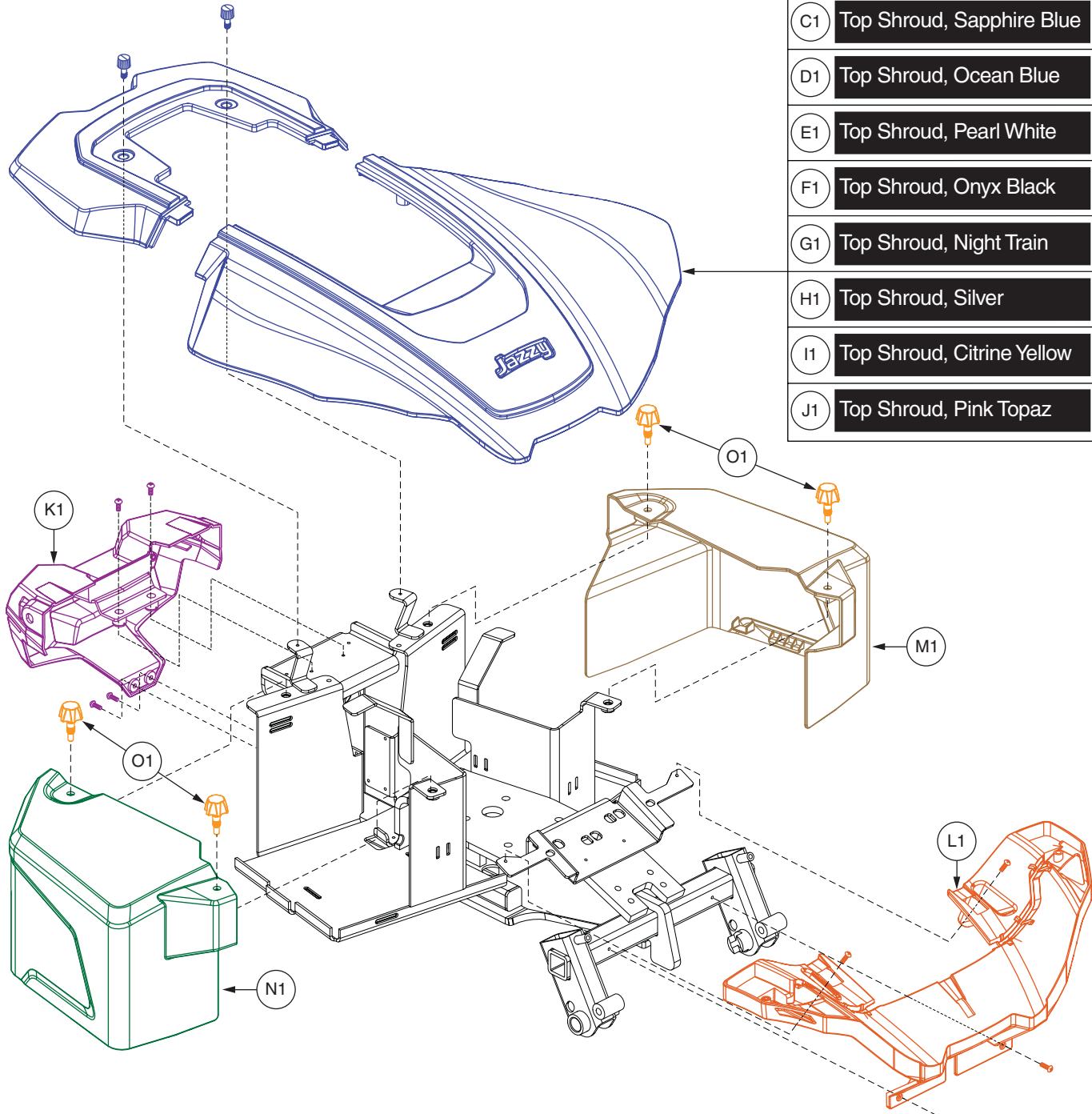
Notes :

Items marked with "***" are not shown.

*K1 Please refer to Section V. Foot Platform and Seat Interface for illustration and part list.

VII. Shroud Assembly

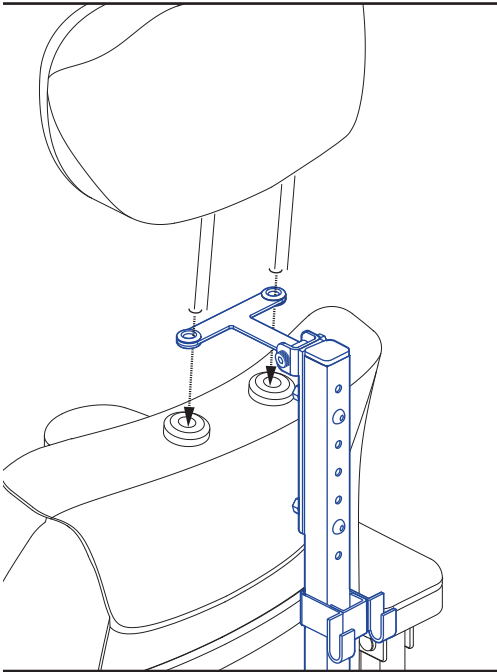
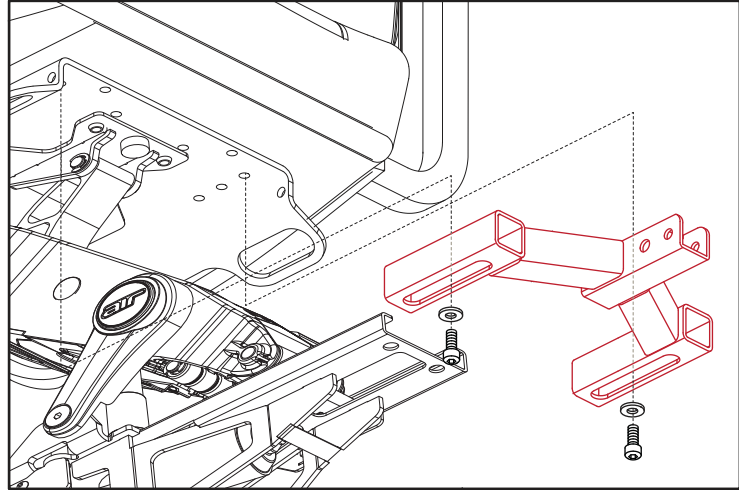
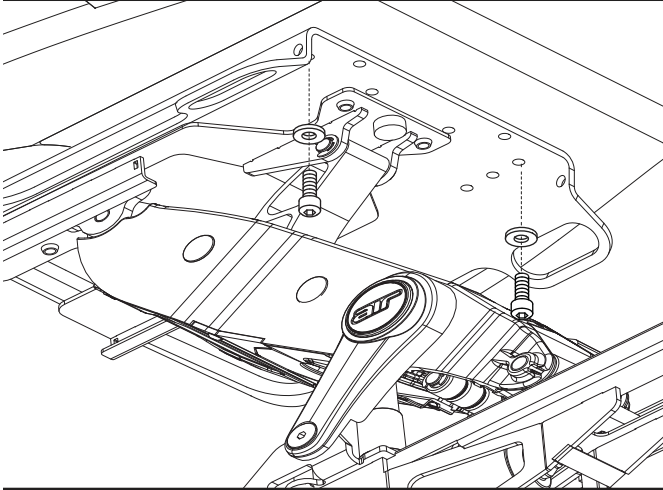
When applicable, assemblies are grouped by color.
 All components with that color are included
 in the assembly.



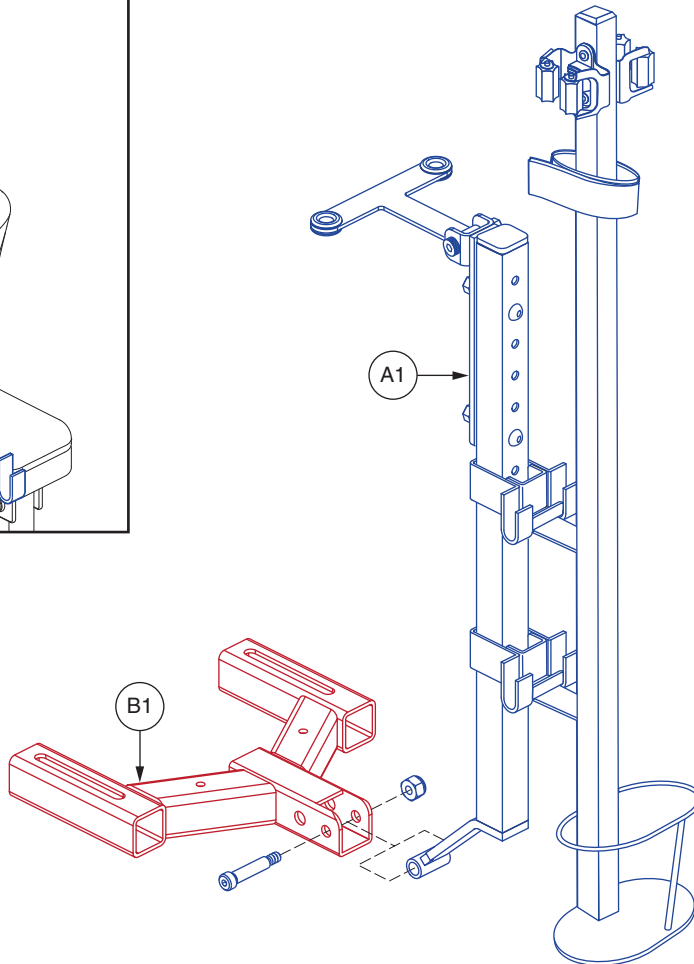
(A1)	Top Shroud, Ruby Red
(B1)	Top Shroud, Garnet Red
(C1)	Top Shroud, Sapphire Blue
(D1)	Top Shroud, Ocean Blue
(E1)	Top Shroud, Pearl White
(F1)	Top Shroud, Onyx Black
(G1)	Top Shroud, Night Train
(H1)	Top Shroud, Silver
(I1)	Top Shroud, Citrine Yellow
(J1)	Top Shroud, Pink Topaz

VII. Shroud Assembly

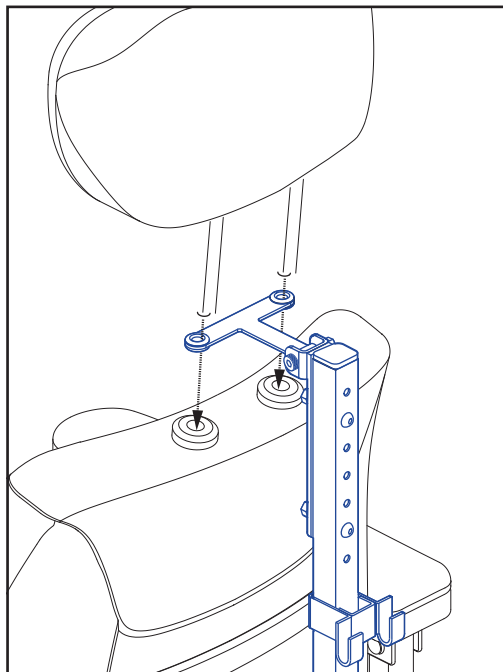
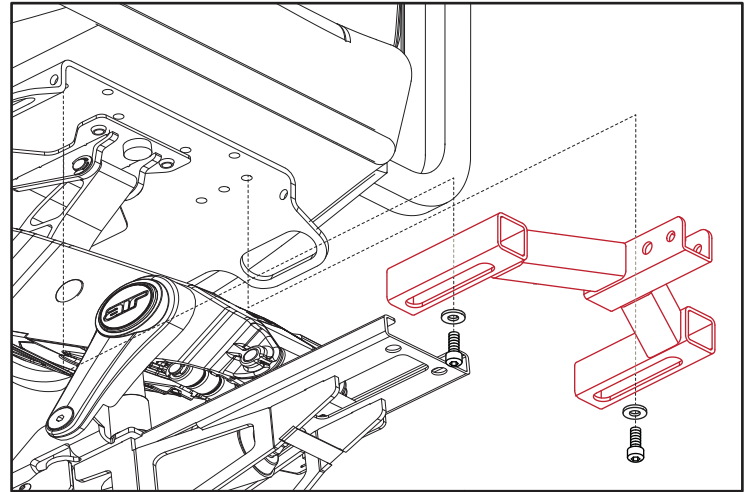
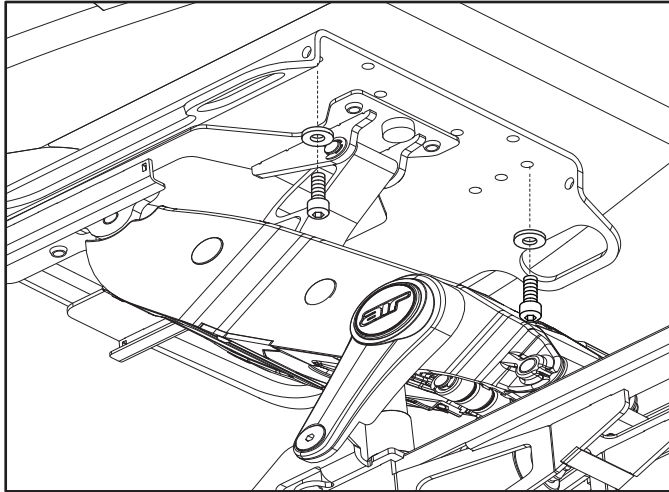
REF #	PART #	DESCRIPTION	QTY	MSRP (AU\$)
A1	DGN1803732	MAIN SHROUD,ASSY,COMPLETE,RUBY RED,JAZZY AIR 2	1	N/A
B1	DGN1803733	MAIN SHROUD,ASSY,COMPLETE,GARNET RED,JAZZY AIR 2	1	N/A
C1	DGN1803734	MAIN SHROUD,ASSY,COMPLETE,SAPPHIRE BLUE,JAZZY AIR 2	1	N/A
D1	DGN1803735	MAIN SHROUD,ASSY,COMPLETE,OCEAN BLUE,JAZZY AIR 2	1	N/A
E1	DGN1803736	MAIN SHROUD,ASSY,COMPLETE,PEARL WHITE,JAZZY AIR 2	1	N/A
F1	DGN1803737	MAIN SHROUD,ASSY,COMPLETE,ONYX BLACK,JAZZY AIR 2	1	N/A
G1	DGN1803738	MAIN SHROUD,ASSY,COMPLETE,NIGHT TRAIN,JAZZY AIR 2	1	N/A
H1	DGN1803739	MAIN SHROUD,ASSY,COMPLETE,SILVER,JAZZY AIR 2	1	N/A
I1	DGN1803740	MAIN SHROUD,ASSY,COMPLETE,CITRINE YELLOW,JAZZY AIR 2	1	N/A
J1	DGN1803741	MAIN SHROUD,ASSY,COMPLETE,PINK TOPAZ,JAZZY AIR 2	1	N/A
K1	DGN1706619	SHROUD ASSY,REAR,W/LIGHTS,JAZZY AIR 2.0	1	N/A
L1	DGN1706620	SHROUD ASSY,FRONT,W/LIGHTS,JAZZY AIR 2.0	1	N/A
M1	DGN160108	SHROUD,ASSY,BATTERY COVER,LEFT,JAZZY AIR	1	41.7
N1	DGN160109	SHROUD,ASSY,BATTERY COVER,RIGHT,JAZZY AIR	1	41.7
O1	PLSKNCP1070	THUMB SCREW,YELLOW,PLASTIC,M8-1.25 X 30MM,CUSTOM,C-1502-069	1	6.02



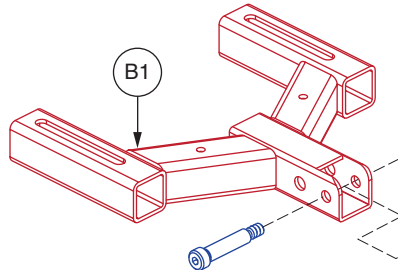
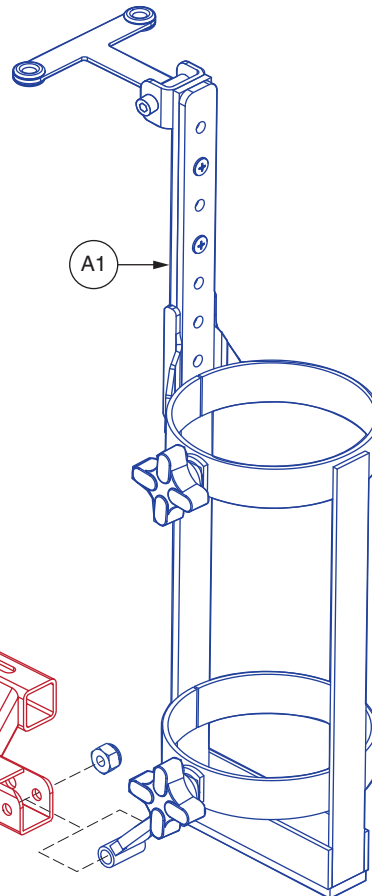
When applicable, assemblies are grouped by color. All components with that color are included in the assembly.



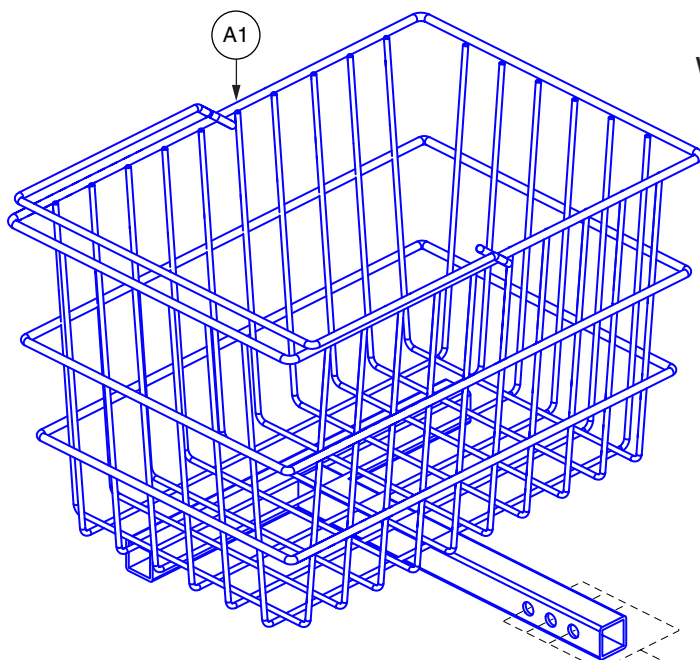
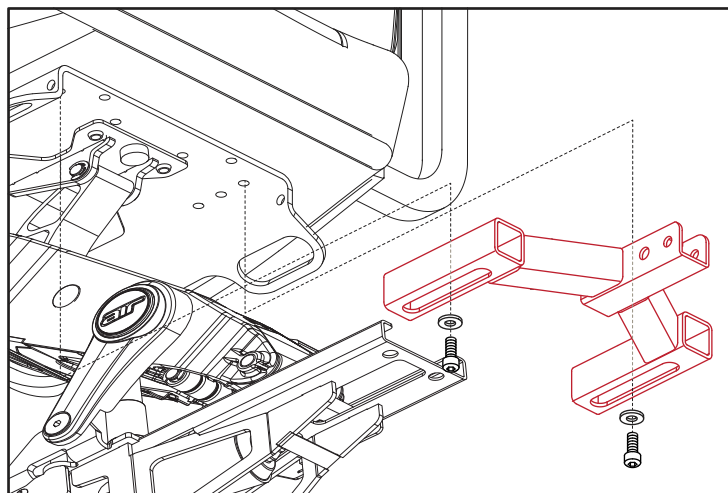
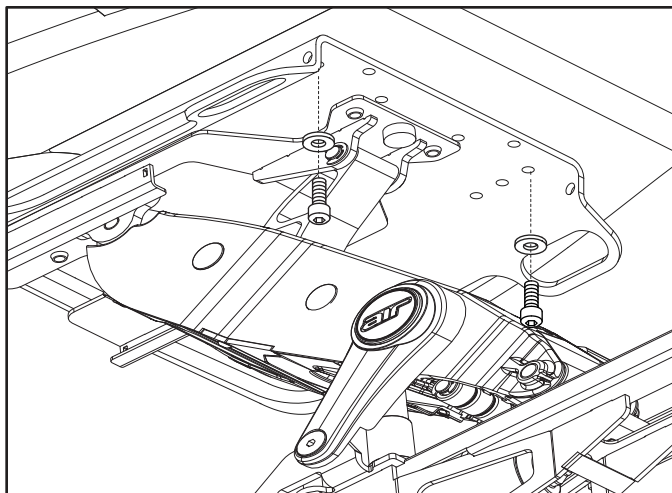
REF #	PART #	DESCRIPTION	QTY	MSRP (AU\$)
A1	ACC1610775	CANE/CRUTCH HOLDER ASSY,W/ACCESSORY TUBE AND HEADREST BRACKET,JAZZY AIR	1	893.92
B1	MEC165273	ACCESSORY TUBE WELDMENT, JAZZY AIR	1	450.04



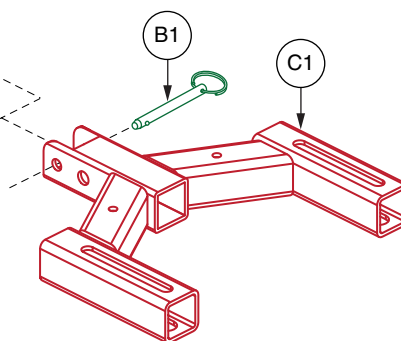
When applicable, assemblies are grouped by color. All components with that color are included in the assembly.



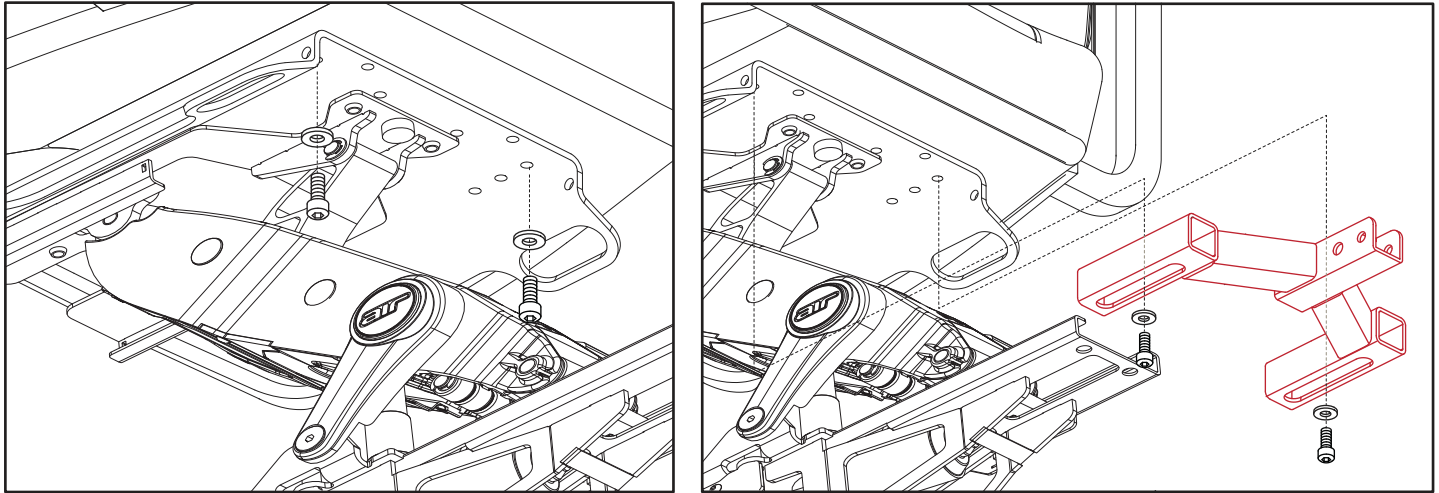
REF #	PART #	DESCRIPTION	QTY	MSRP (AU\$)
A1	ACC1610773	OXYGEN HOLDER ASSY, W/ACCESSORY TUBE AND HEADREST BRACKET, JAZZY AIR	1	913.82
B1	MEC165273	ACCESSORY TUBE WELDMENT, JAZZY AIR	1	450.04



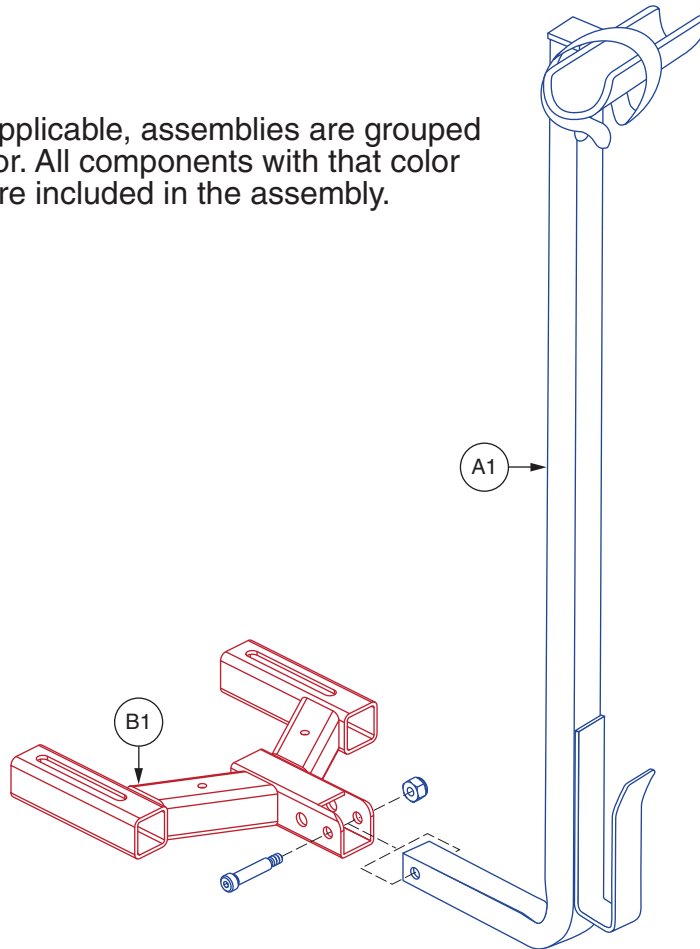
When applicable, assemblies are grouped by color. All components with that color are included in the assembly.



REF #	PART #	DESCRIPTION	QTY	MSRP (AU\$)
A1	ACC1610772	REAR BASKET ASSY,W/ACCESSORY TUBE,JAZZY AIR	1	696.6
B1	PINCOTD1006	PIN,COTTERLESS DETENT W/RING,.375" DIA X 2.00" GRIP LENGTH,B-1005-169	1	11.94
C1	MEC165273	ACCESSORY TUBE WELDMENT, JAZZY AIR	1	450.04

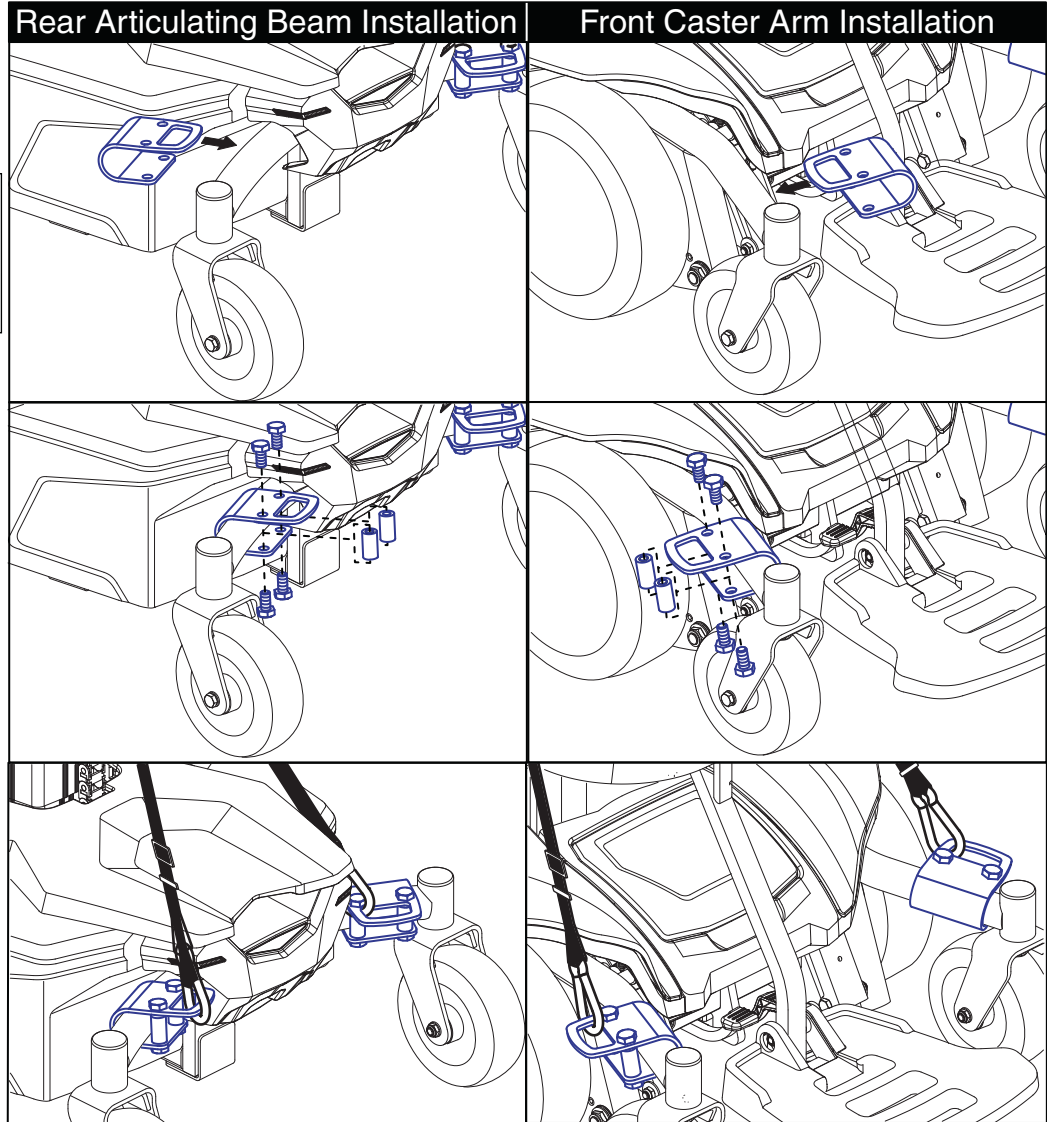
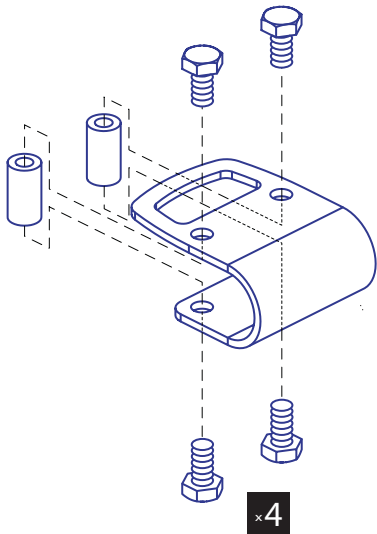


When applicable, assemblies are grouped by color. All components with that color are included in the assembly.



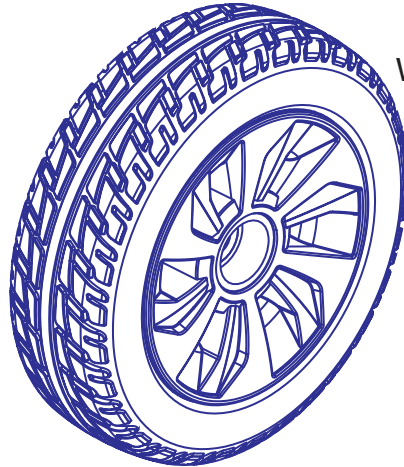
REF #	PART #	DESCRIPTION	QTY	MSRP (AU\$) ¹¹ⁱ
A1	ACC1610776	WALKER HOLDER ASSY, W/ACCESSORY TUBE, JAZZY AIR	1	877.56
B1	MEC165273	ACCESSORY TUBE WELDMENT, JAZZY AIR	1	450.04

A1 Docking Device Assembly, Complete (Includes four bolt-on loop assemblies.)



When applicable, assemblies are grouped by color. All components with that color are included in the assembly.

REF #	PART #	DESCRIPTION	QTY	MSRP (AU\$)
A1	MEC1611900	JAZZY AIR DOCKING ASSY, COMPLETE	1	340.46 ¹¹ⁱ



When applicable, assemblies are grouped by color. All components with that color are included in the assembly.

A1 Wheel Assembly

REF #	PART #	DESCRIPTION	QTY	MSRP (AU\$) ¹¹ⁱ
A1	WHL1705995	10" WHEEL, ASSEMBLY	1	N/A

REF #	PART #	DESCRIPTION	QTY	MSRP (AU\$) ¹¹ⁱ
*N/A	INFMANU3992	MANUAL,CONSUMER SAFETY GUIDE,POWERCHAIR	1	5.84
*N/A	INFINFB3072	MANUAL,PRODUCT INSERT SHEET,POWER CHAIR WARRANTY,AUSTRALIA	1	N/A
*N/A	INFMANU4922	MANUAL,OWNER'S,JAZZY AIR 2,ENGLISH	1	N/A
*N/A	INFINFB3842	MANUAL,PRODUCT INSERT SHEET, SPECIFICATIONS SHEET,JAZZY AIR 2,ENGLISH	1	N/A
*N/A	INFINFB3503	MANUAL,PRODUCT INSERT SHEET,VR2,ENGLISH	1	N/A
*N/A	HDWINDV1080	HEX KEY,BLACK,6MM	1	6.02
*N/A	HDWINDV1058	HEX KEY,BLACK,4MM	1	6.14
*N/A	HDW155440	3M DUAL LOCK, BUDDY BUTTON	2	N/A

XI. Decal Package

REF #	PART #	DESCRIPTION	QTY	MSRP (AU\$) ¹¹ⁱ
*N/A	DWR1234L799	DECAL,ICON,1" X 2.5",WEATHER/MANUAL/LOOSE GARMENT,L-1234-799	1	6.04
*N/A	LAB146442	DECAL,AESTHETIC,PRIDE WEBSITE/PHONE NUMBER REAR	1	6.14
*N/A	DWR1235L116	DECAL,ICON,TIE DOWN HOOK,L-1235-116	4	5.92
*N/A	DWR1235L515	DECAL,WARNING,BATTERY WARNINGS,L-1235-515	1	7.16
*N/A	DWR1235L520	DECAL,CAUTION,EXTENSION CORD/GROUNDING PRONG,L-1235-520	1	7.16
*N/A	DWR1235L521	DECAL,WARNING,CONTROLLER CORD PLACEMENT,L-1235-521	1	6.6
*N/A	DEC8120018	DECAL,NOT RATED FOR OCCUPIED TRANSPORT,POWER CHAIR	2	17.48
*N/A	LAB148325	DECAL,READ OWNERS MANUAL, 19.1 DIAMETER	1	6.04
*N/A	LAB155762	DECAL,FREEWHEEL, JAZZY AIR	2	6.04
*N/A	LAB155754	DECAL,AESTHETIC, JAZZY AIR	2	6.04
*N/A	LAB155867	DECAL,BATTERY/CONTOLLER CONNECTION,JAZZY AIR	1	N/A



Pride[®]

Mobility Products Corp.

www.pridemobility.com

Pride[®] Mobility Products Corporation

182 Susquehanna Avenue
Exeter, PA 18643
USA

Pride[®] Mobility Products Company

5095 South Service Road
Beamsville, ON L0R 1B3
Canada

Pride[®] Mobility Products Ltd.

32 Wedgwood Road
Bicester, Oxfordshire OX26 4UL
UK

Pride[®] Mobility Products Australia Pty. Ltd.

20-24 Apollo Drive
Hallam, Victoria 3803
Australia

Pride[®] Mobility Products New Zealand Ltd.

38 Lansford Crescent
Avondale
Auckland, New Zealand 1007

Pride[®] Mobility Products Italia S.r.l.

Via del Progrosso - ang. Via del Lavoro
Loc. Prato della Corte
00065 - Fiano Romano (RM)

**Pride[®] Mobility Products Europe B.V.
(Authorised EU Representative)**

De Zwaan 3
1601 MS Enkhuizen
The Netherlands

Pride[®] Mobility Products Spain

Calle Velazquez 80 6D
28001 Madrid
Spain

Pride[®] Mobility Products France

26 rue Monseigneur Ancel
69 800 Saint-Priest