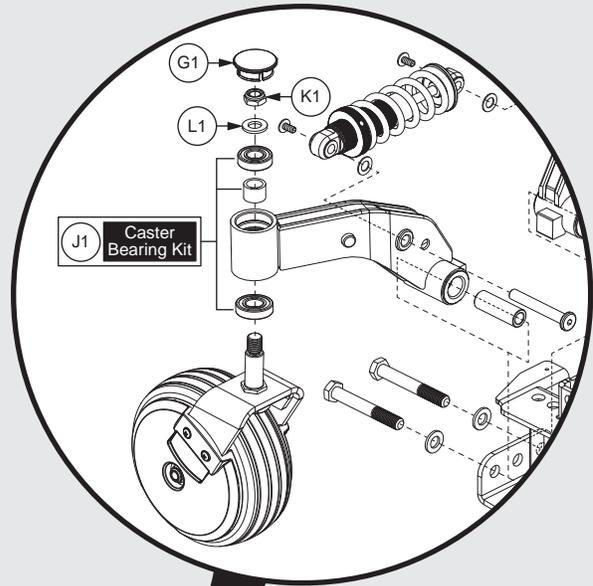




PRIDE
MOBILITY
LIVE YOUR BEST®



Illustrated Parts Breakdown



This Illustrated Parts Breakdown (IPB) Catalog has been compiled from the latest product information available at the time of publication. Quantum Rehab[®] / Pride Mobility Products[®] Corporation reserves the right to make changes and updates to this manual and to the product(s) it represents. Any changes, updates, or improvements to the product(s) may result in slight differences between this manual and the product that has been purchased.

An IPB is a graphically portrayed parts listing of product components which have been deemed to have serviceable, maintenance significance. When applicable, IPBs utilize “exploded” illustrations that detail serviceable components and a corresponding itemized parts list of reference numbers, part numbers, descriptions, quantities, and any applicable pricing. Most product components are incorporated into assemblies and may not be available for replacement.

Serviceable components will be noted by a callout in the illustration that will correspond to a alphanumeric reference number in the parts list. Items may also be listed in the parts list by parent assemblies. In most cases when a parent assembly is listed, there will be child parts or sub-assemblies listed under that parent.

For example: The parent assembly reference number is A1 — A5. That part contains all of the items listed as and contained within A1, A2, A3, A4, & A5. As long as these subcomponents have a callout associated with them, they can be selected for replacement or quote.

Updates to the contents of an IPB will be made on a regular basis based upon applicable product changes and enhancements. This PDF catalog has been export from the Provider based service site. The most up to date parts look up tool and ordering application is located at: prideprovider.com. Please utilize this system to enhance your user experience. It is built with highly interactive materials that are set with relational properties that will facilitate easier part look-up, more accurate parts selection, notification of onhand part availability, and quick links to related documents and products.

We welcome all questions and comments regarding the Quantum Rehab[®] / Pride Mobility Products[®] Corporation IPB systems.

Any pricing that is included in Quantum Rehab[®] /Pride Mobility Products[®] Corporation IPBs is subject to change without prior notice.

Thank you for choosing products from Quantum Rehab[®] and Pride Mobility Products[®] Corporation.



1. Main Frame Assy	
Main Frame, Edge 2.0	1
2. Front Caster Assy	
Front Caster Assy - 6" Casters, Edge 2.0	3
Front Caster Assy - 8" Casters, Edge 2.0	5
Caster Arm Retrofit Assy's	
KIT168287 - 6" to 8" Caster Retrofit Kit, Q6 Edge 2	7
KIT168288 - 8" to 6" Caster Retrofit Kit, Q6 Edge 2	9
KIT168289 - 8" to 8" Caster Retrofit Kit, Q6 Edge 2	11
3. Rear Caster Assy	
Rear Caster Assy - 6" Casters, Edge 2.0	13
Rear Caster Assy - 8" Casters, Edge 2.0	15
Caster Arm Retrofit Assy's	
KIT168287 - 6" to 8" Caster Retrofit Kit, Q6 Edge 2	17
KIT168288 - 8" to 6" Caster Retrofit Kit, Q6 Edge 2	19
KIT168289 - 8" to 8" Caster Retrofit Kit, Q6 Edge 2	21
4. Drive Motor Assy	
Drive Motor Assy - 5 Spoke Hub, 6MPH, Curtis, Edge 2.0	23
Drive Motor Assy - 4 Spoke Hub (Knobby), 6MPH, Curtis, Edge 2.0	25
Drive Motor Assy - 5 Spoke Hub, 6MPH ACCU-TRAC, Curtis, Edge 2.0	27
Drive Motor Assy - 5 Spoke Hub, PG, Edge 2.0	29
Drive Motor Assy - 4 Spoke Hub, PG, Edge 2.0	31
5. Joystick Assy	
Q-Logic 2 Joystick Assemblies	33
Q-Logic 2 Stand Alone Joystick Assy	35
Q-Logic 3 Joystick Assy's	37
Q-Logic 3e Joystick Assy's - Q6 Edge 2	39
Q-Logic 3 Stand Alone Joystick Assy	41
Q-Logic 3 SD Cards for Edge 2.0	43
R-Net Joystick Assy's	45
Joystick Knobs & Overlays	
Aftermarket Joystick Knobs	47
PG Joystick Overlays	49
Q-Logic 1 / Stand Alone / NE / NE+ Joystick Overlays	51
Q-Logic Joystick Knobs	53
Q-Logic 2 & 3 Joystick Shrouds	
Q-Logic 2 & 3 Joystick Shrouds	55
Joystick Bottom Housings	
Q-Logic 2 & 3 Joystick Bottom Housing w/Bus Cable	57
6. Electronics Assy's	
6.1. Q-Logic 3 Electronics Assy's	
Q-Logic 3 Base Electronics Matrix, 6 MPH Motors, Edge 2.0	59
Q-Logic 3 Electronics, Power Positioning & Static Seating, Edge 2.0	61
Q-Logic 3 Electronics, Power Seat Thru Joystick, Edge 2.0	63
Q-Logic 3 SD Cards for Edge 2.0	65
6.2. Q-Logic 2 Electronics Assy's	
Q-Logic 2 Electronics, Quantum Ready/Tilt Thru Toggle, Edge 2.0	67

Q-Logic 2 Electronics, Power Seat Thru Joystick, Edge 2.0	69
Q-Logic 2 Electronics, ACCU-TRAC, Quantum Ready/Tilt Thru Toggle, Edge 2.0	71
Q-Logic 2 Electronics, ACCU-TRAC, Power Seat Thru Joystick, Edge 2.0	73
6.3. R-Net Electronics Assy's	
R-Net Electronics, Power Harnesses, Cables, and Mounting Hardware, Q6 Edge 2.0	75
R-Net Power Module and Master Assemblies, Q6 Edge 2.0	77
7. Foot Platform Assy	
Foot Platform Assy's, Edge Series	79
8. Battery Access Brackets	
Recessed Battery Access Bracket Assy	81
Standard Battery Access Bracket Assy's	83
Power Seat (Pedestal Actuator) Battery Access Brackets, Edge Series	85
9. Shroud Assy's	
Main Carrier Shroud & Rear Door Shroud Assy's, Edge 2.0	87
Center Panel Shrouds and Battery Spacer	89
Standard & Recessed Front Door Shroud Assy's, Edge 2.0	91
10. Fender / Fender Light Assy's	
Fender Shroud Assy, Without Lights, Edge 2.0 / Edge 3	95
11. Power Seat Assy	
Power Seat Assy w/ Universal Interface, Q6 Edge Series	97
12. Trapeze Bar Assy	
Trapeze Bar Assy	99
13. Seat Mount L-Bracket & Transit Loop Assy's	
L-Bracket Towers and Transit Loops	101
14. Drive Wheel Assy's	
5-Spoke, 14" x 3" Drive Wheels	
Drive Wheel - Flat-free, 5 Spoke Silver Rim/Black Tire w/ Color Insert, Edge 2.0	105
Drive Wheel - Flat-free, 5 Spoke Titanium Rim/Black Tire	107
Drive Wheel - Pneumatic, 5 Spoke Silver Rim/Black Tire w/ Color Insert, Edge 2.0	109
Drive Wheel - Pneumatic, 5 Spoke Titanium Rim/Black Tire	111
Painted Wheel Inserts	113
4-Spoke, 14" x 4" Drive Wheels (Knobby Tire)	
Flat-free Drive Wheel, 4 Spoke Black Rim/Black "Knobby" Tire	115
Pneumatic Drive Wheel, 4 Spoke Black Rim/Black "Knobby" Tire	117
5-Spoke, 14" x 4" Drive Wheels (Knobby Tire)	
Flat-free Drive Wheel, 5 Spoke, Black Rim / Black "Knobby" Tire, 14" x 4"	119
15. Off-board Charger Assy	
8 amp CTE Charger, Australia	121
8 Amp UPG Charger Assy, AGM / GEL Selectable	123
16. Batteries	
MK, NF-22, AGM, Battery Assy	125
MK, NF-22, GEL, Battery Assy	127
Universal, NF-22, AGM, Battery Assy	129
Universal, NF-22, GEL, Battery Assy	131
Interceptor, NF-22, GEL, Battery Assy	133

17. Joystick Mounts & Receivers

17.1. Swing-away, Version 3

Swing-away Joystick Bracket & Components, Version 3	135
---	-----

17.2. Version 2. Swing-away/Multi-axis Joystick Brackets

Swing-away & Multi-axis Mount Matrix, Rehab Seat, Version 2	137
Swing-away & Multi-axis Mount Matrix, Captain Seat, Version 2	139
Swing-away Joystick Bracket Components, Version 2	141
Multi-Axis Joystick Bracket Components, Version 2	143

17.3. Retract 4 Swing-away Joystick Bracket

Retract 4 Swing-away Joystick Bracket for Curtis Joysticks	145
--	-----

17.4. Stealth Swing-away / Flip-down Joystick Bracket

Stealth Swing-away / Flip Down Joystick Brackets & Mounts	147
---	-----

17.5. Fixed Inline Joystick Brackets

Fixed Joystick Mounts, Quantum Joysticks	149
--	-----

17.6. Joystick Bracket Receivers

Joystick Receiver Mounts, Quantum	151
-----------------------------------	-----

18. Owner's & Decal Packages

18.1. Owner's Packages

Owner's Package, Australia, Q6 Edge 2.0	153
Owner's Package 2, Australia, Q6 Edge 2.0	155

18.2. Decal Packages

Decal Package, Q-Logic, Q6 Edge 2.0	157
Decal Package, Unoccupied Transit, Australia, Q6 Edge 2.0	159
Decal Package, Occupied Transit, Australia, Q6 Edge 2.0	161
Decal Package, Q-Logic, Unoccupied Transit, Australia, Q6 Edge 2.0	163
Decal Package, Q-Logic, Occupied Transit, Australia, Q6 Edge 2.0	165

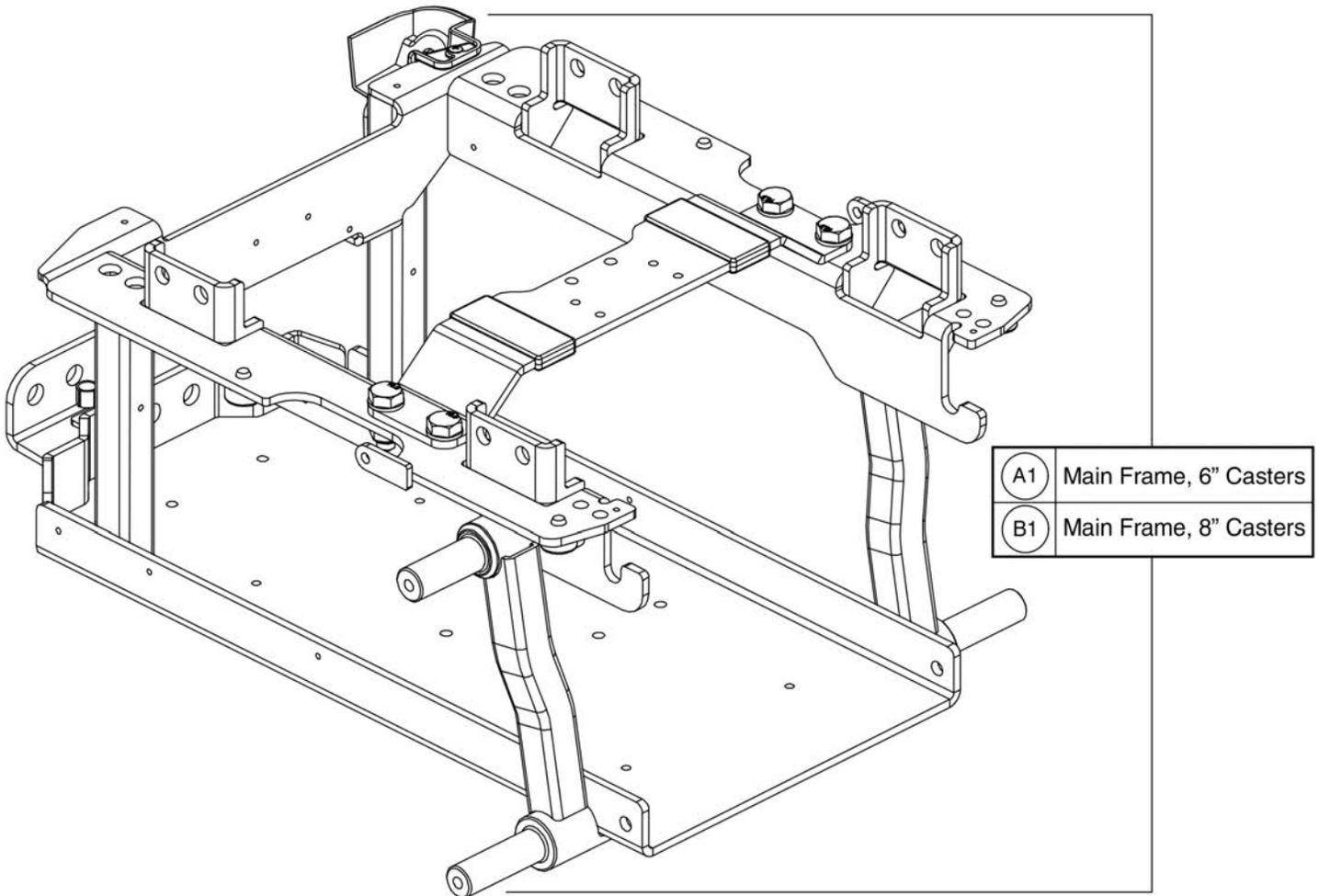
19. I-Level Base Components

I-Level Power Base Components, Curtis, Edge 2.0 / Edge 3	167
I-Level Power Base Components, Edge 2.0 / Edge 3 w/Base Mounted Lights	169
I-Level Power Base Cable & Mounting Block Assy	171

20. Quantum Color Reference Chart

Quantum Color Reference Chart	173
Appendix A:Pages Index	174
Appendix B:Parts Index	175

1. Main Frame Assy





Item	Part No.	Name	Qty
A1	FRMASMB16061	FRAME,ASSY,MAIN,SUSPENSION BEAM,Q6 EDGE,E-1062-079	1
B1	MEC156526	FRAME,ASSY,MAIN,Q6 EDGE, 8IN CASTERS	1

2. Front Caster Assy

Complete Caster Arm Assy's

(A1a) Right	(A1b) Left
-------------	------------

Does not include the mounting hardware, I1 & J1.

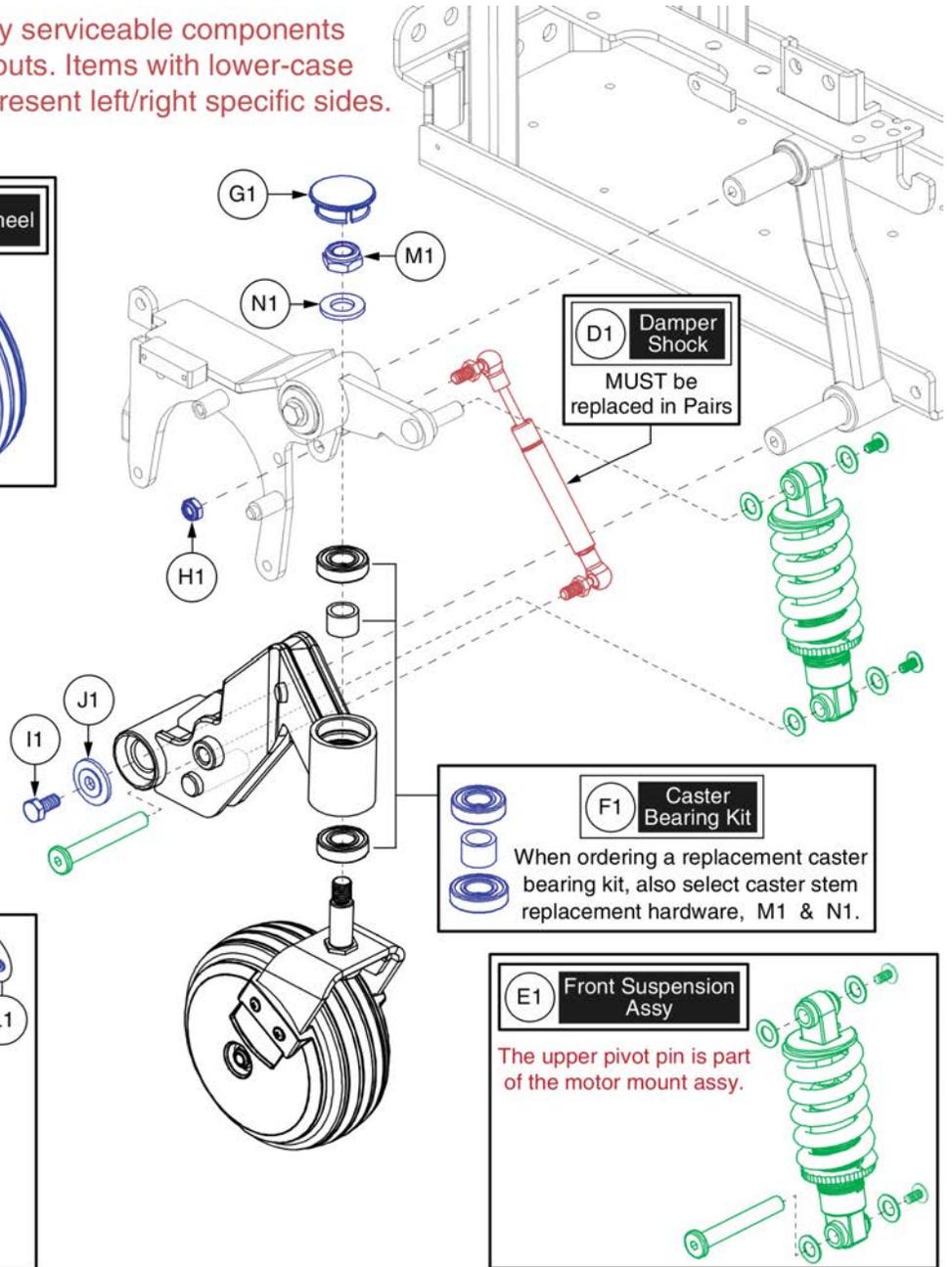
NOTE: Only serviceable components contain callouts. Items with lower-case extensions represent left/right specific sides.

(C1) 6" Caster Wheel

Complete Caster Fork & Wheel Assy's

(B1a) Right	
(B1b) Left	

Caster Wheel Covers



Front Caster Assy - 6" Casters, Edge 2.0

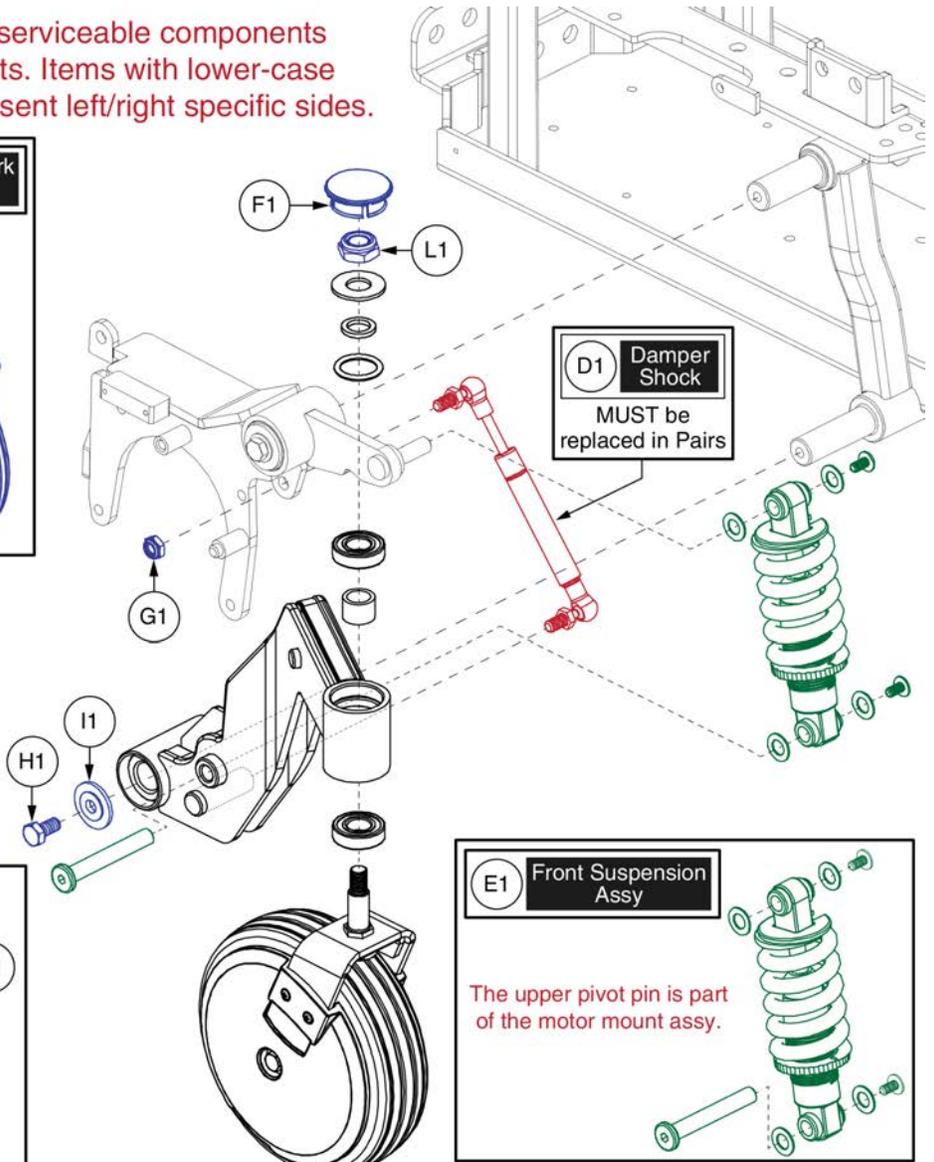
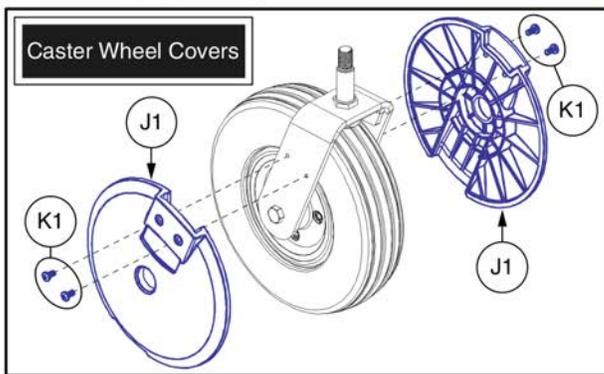
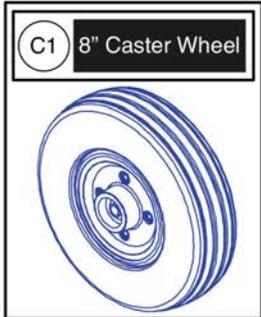
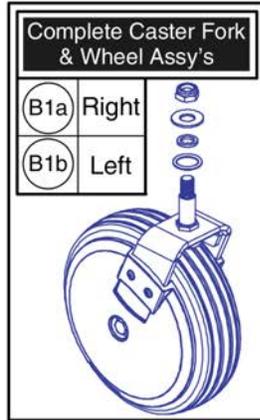


Item	Part No.	Name	Qty
A1a	MEC138478-D	CASTER ARM,ASSY,6" EURO GRAY RIM/BLACK TIRE,BLACK CASTER ARM,FRONT RIGHT	1
A1b	MEC137719-D	CASTER ARM,ASSY,6" EURO GRAY RIM/BLACK TIRE,BLACK CASTER ARM,FRONT LEFT	1
B1a	MEC151501-B	CASTER ASSEMBLY, 6", BLACK RIM / BLACK TIRE, RIGHT	1
B1b	MEC151499-B	CASTER ASSEMBLY, 6", BLACK RIM / BLACK TIRE, LEFT	1
C1	WHLASMB7110039	WHEEL,ASSY,LOW IMPACT,BLACK RIM/BLACK TIRE,6" X 2",W/BEARINGS & SPACER,E-1202-039	1
D1	DWR1062C058	SUSPENSION,DAMPER SHOCK,W/10MM BALL ENDS,60MM STROKE,COMPRESSION,C-1062-058 ***Must Be Replaced In Pairs***	1
E1	MEC145229	FRONT SUSPENSION ASSEMBLY, EDGE 2.0	1
F1	MEC122534	CASTER BEARING KIT	1
G1	DGN140932	CASTER CAP, 42MM BARREL	1
H1	NUTNJAM1020	NUT,NYLOCK JAM,BLACK ZINC,M8-1.25	1
I1	SCRHHCS1412	SCREW, HEX HEAD, M8X1.25 X 16, ISO 4014, CL 10.9, BZ, PVTP	1
J1	WASMETR1096	WASHER,CUSTOM,BLACK ZINC,8.4MM ID X 30MM OD X 2.5MM TH	1
K1	DWR1202D044	COVER,CASTER SPHERE,BLACK,6" WHEEL,THIN,LOW PROFILE,D- 1202-044	2
L1	SCRPPH1036	SCREW, PAN HEAD, TYPE H, M4X0.7 X 8, FT, ISO 7045, CL 4.8, BZ	4
M1	NUTNYLK1013	NUT,LOCK,M12X1.75,12 HIGH,19 WIDE,CL 8,BZ,PVTP	1
N1	WASMETR1032	WASHER,FLAT,13ID X 24OD X 2.5TH,ISO 7089-12-200 HV,BZ	1

2. Front Caster Assy



NOTE: Only serviceable components contain callouts. Items with lower-case extensions represent left/right specific sides.



Front Caster Assy - 8" Casters, Edge 2.0



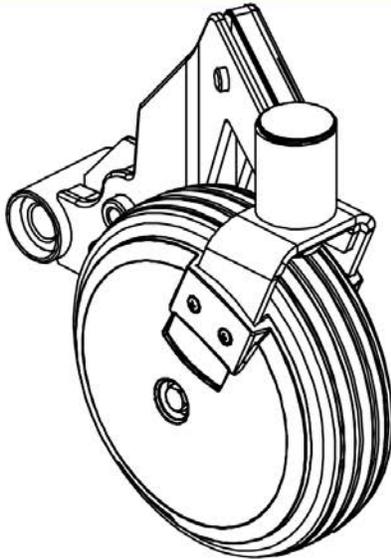
Item	Part No.	Name	Qty
A1a	MEC140302-D	CASTER ARM,ASSY,8" BLACK RIM/BLACK TIRE,BLACK CASTER ARM,FRONT RIGHT	1
A1b	MEC140303-D	CASTER ARM,ASSY,8" BLACK RIM/BLACK TIRE,BLACK CASTER ARM,FRONT LEFT	1
B1a	MEC153680-B	CASTER ASSEMBLY, 8", BLACK RIM / BLACK TIRE, RIGHT	1
B1b	MEC153679-B	CASTER ASSEMBLY, 8", BLACK RIM / BLACK TIRE, LEFT	1
C1	WHLASMB7110037	WHEEL,ASSY,LOW IMPACT,BLACK RIM/BLACK TIRE,8" X 2",W/BEARINGS & SPACER,E-1202-038	1
D1	DWR1062C058	SUSPENSION,DAMPER SHOCK,W/10MM BALL ENDS,60MM STROKE,COMPRESSION,C-1062-058 ***Must Be Replaced In Pairs***	1
E1	MEC162543	FRONT SUSPENSION ASSEMBLY,EDGE 2.0 8" CASTER	1
F1	DGN140932	CASTER CAP, 42MM BARREL	1
G1	NUTNJAM1020	NUT,NYLOCK JAM,BLACK ZINC,M8-1.25	1
H1	SCRHHCS1412	SCREW, HEX HEAD, M8X1.25 X 16, ISO 4014, CL 10.9, BZ, PVTP	1
I1	WASMETR1096	WASHER,CUSTOM,BLACK ZINC,8.4MM ID X 30MM OD X 2.5MM TH	1
J1	DWR1202D046	COVER,CASTER SPHERE,BLACK,8" WHEEL,THIN,LOW PROFILE,D-1202-046	2
K1	SCRPPH1036	SCREW, PAN HEAD, TYPE H, M4X0.7 X 8, FT, ISO 7045, CL 4.8, BZ	4
L1	HDW1704070	NUT,LOCK,THIN,M12X1.75,ISO 10511,CL 04,BZ,PVTP	1

Caster Arm Retrofit Assy's

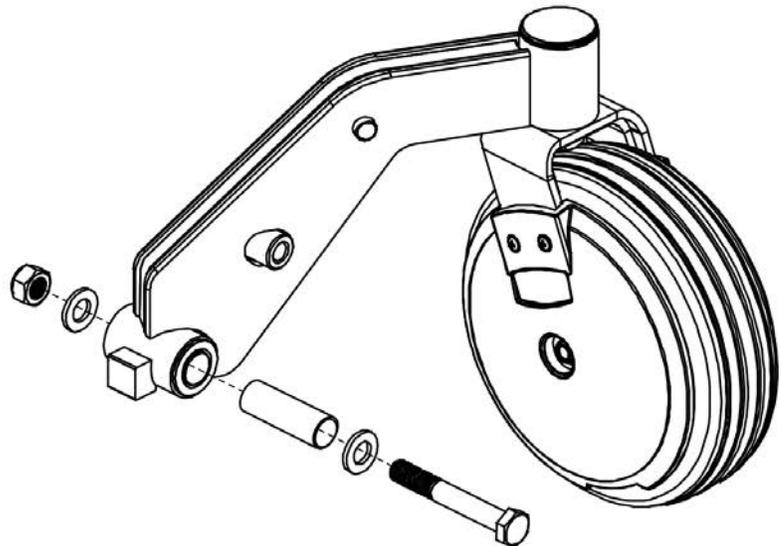
A1 KIT168287 - Q6Edge 2.0 Caster Arm Replacement, 6" to 8"



QUANTUM

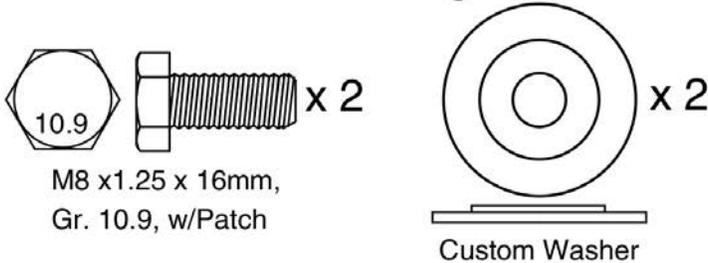


Left & Right Front Caster Arm Assemblies

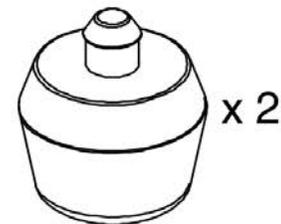


Left & Right Rear Caster Arm Assemblies

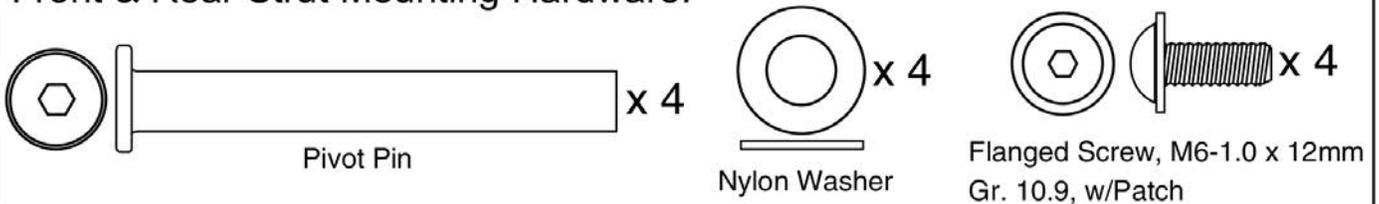
Front Caster Arm Mounting Hardware:



Caster Arm Bumper:



Front & Rear Strut Mounting Hardware:





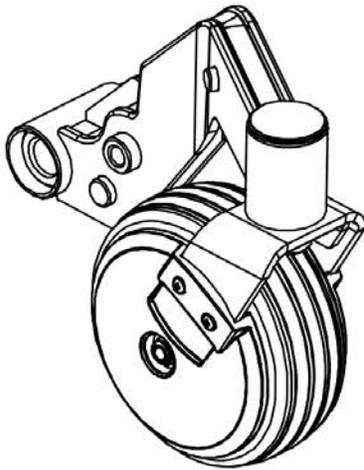
Item	Part No.	Name	Qty
A1	KIT168287	KIT,ASSY,Q6EDGE 2.0 CASTER ARM REPLACEMENT,6" TO 8"	1

Caster Arm Retrofit Assy's

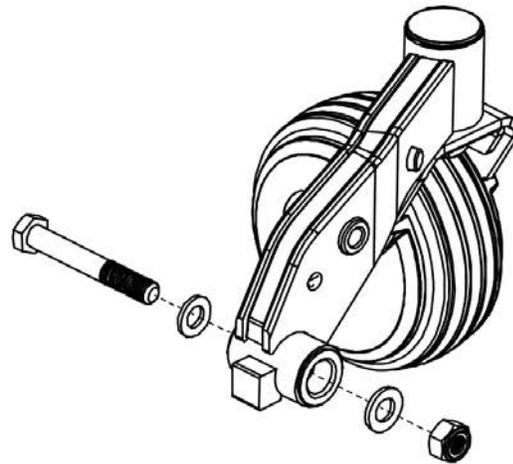
A1 KIT168288 - Q6Edge 2.0 Caster Arm Replacement, 8" to 6"



QUANTUM

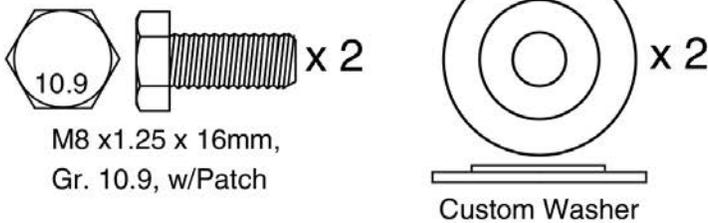


Left & Right Front Caster Arm Assemblies

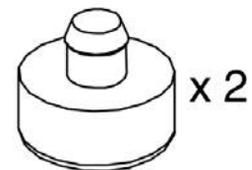


Left & Right Rear Caster Arm Assemblies

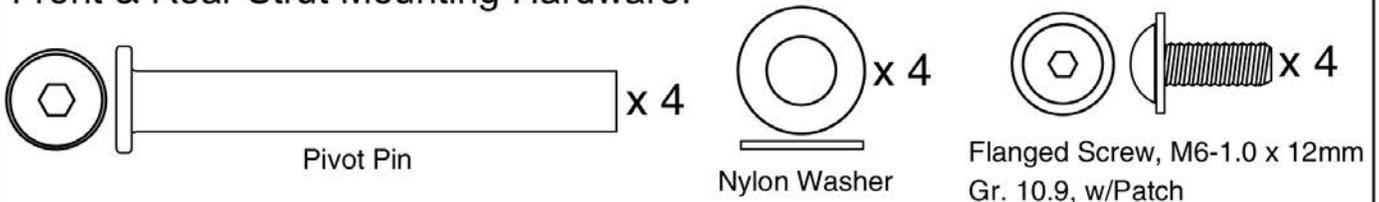
Front Caster Arm Mounting Hardware:



Caster Arm Bumper:



Front & Rear Strut Mounting Hardware:

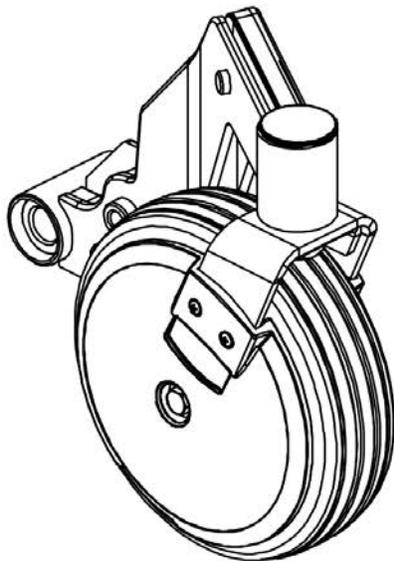


www.quantumrehab.com

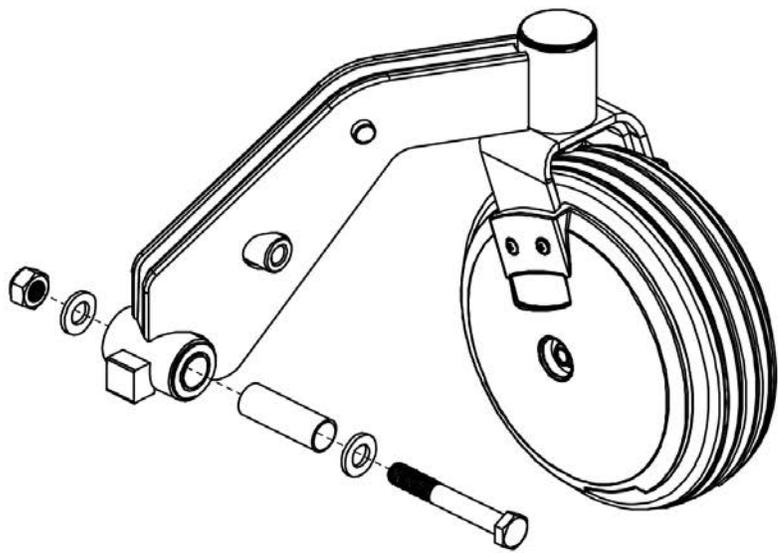
Item	Part No.	Name	Qty
A1	KIT168288	KIT,ASSY,Q6EDGE 2.0 CASTER ARM REPLACEMENT,8" TO 6"	1

Caster Arm Retrofit Assy's

A1 KIT168289 - Q6Edge 2.0 Caster Arm Replacement, 8" to 8"

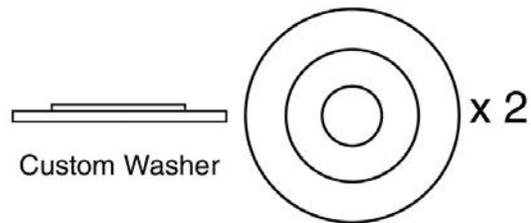
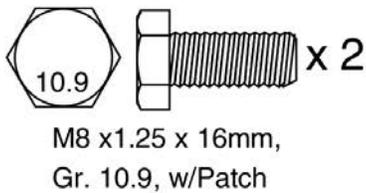


Left & Right Front Caster Arm Assemblies

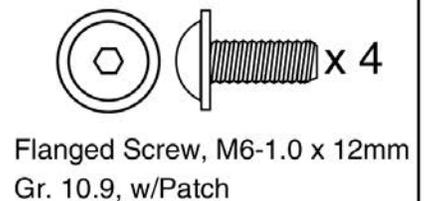
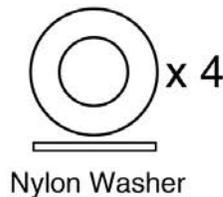
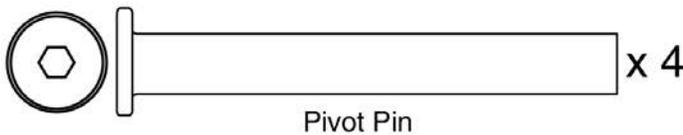


Left & Right Rear Caster Arm Assemblies

Front Caster Arm Mounting Hardware:



Front & Rear Strut Mounting Hardware:

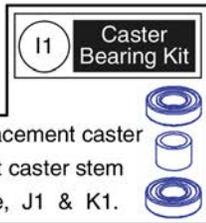
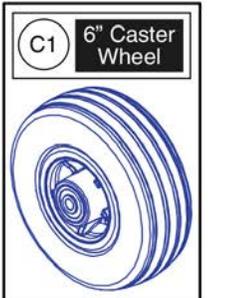
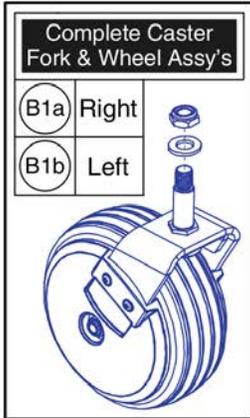
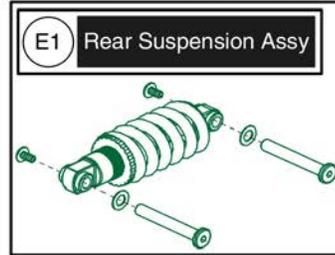
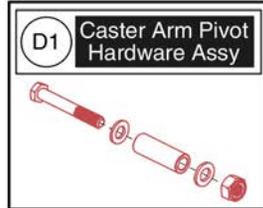
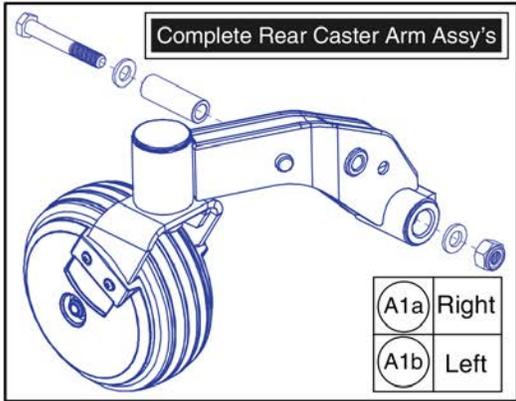




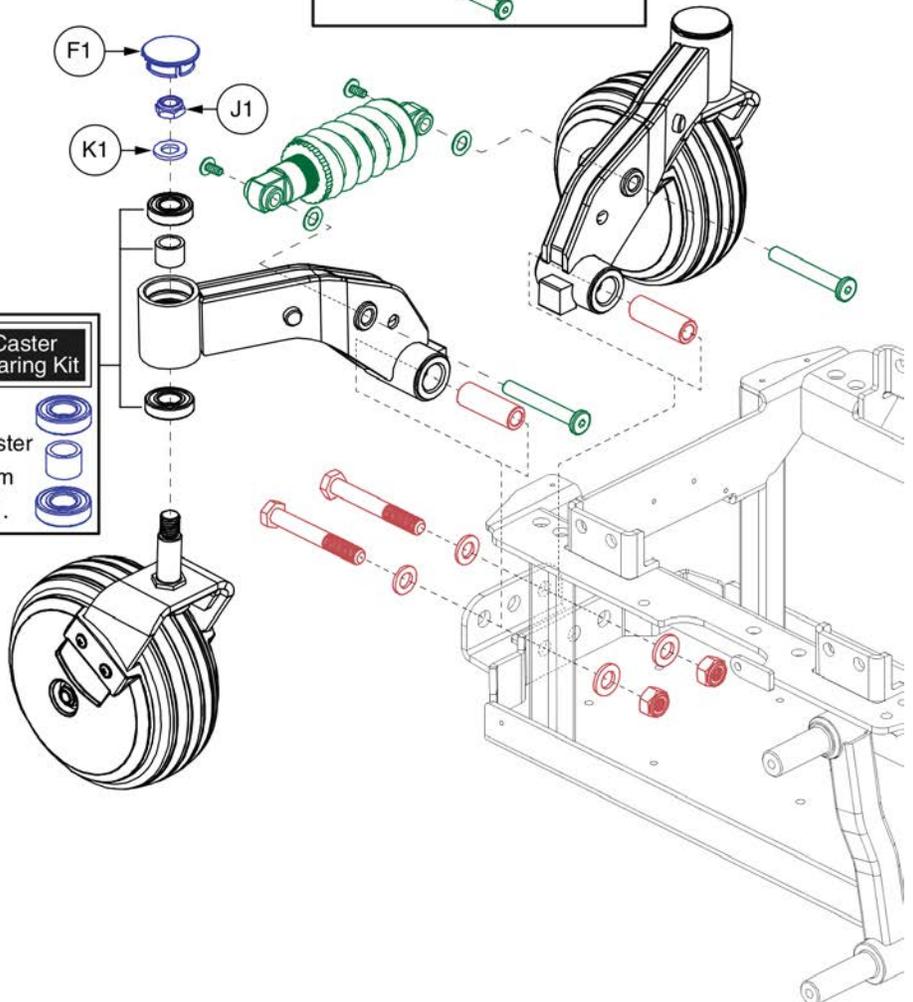
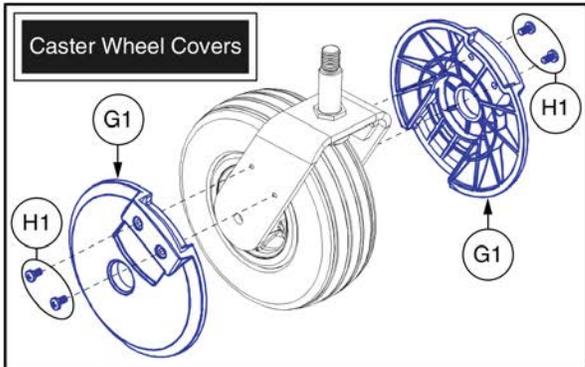
Item	Part No.	Name	Qty
A1	KIT168289	KIT,ASSY,Q6EDGE 2.0 CASTER ARM REPLACEMENT,8" TO 8"	1

3. Rear Caster Assy

NOTE: Only serviceable components contain callouts. Items with lower-case extensions represent left/right specific sides.



When ordering a replacement caster bearing kit, also select caster stem replacement hardware, J1 & K1.



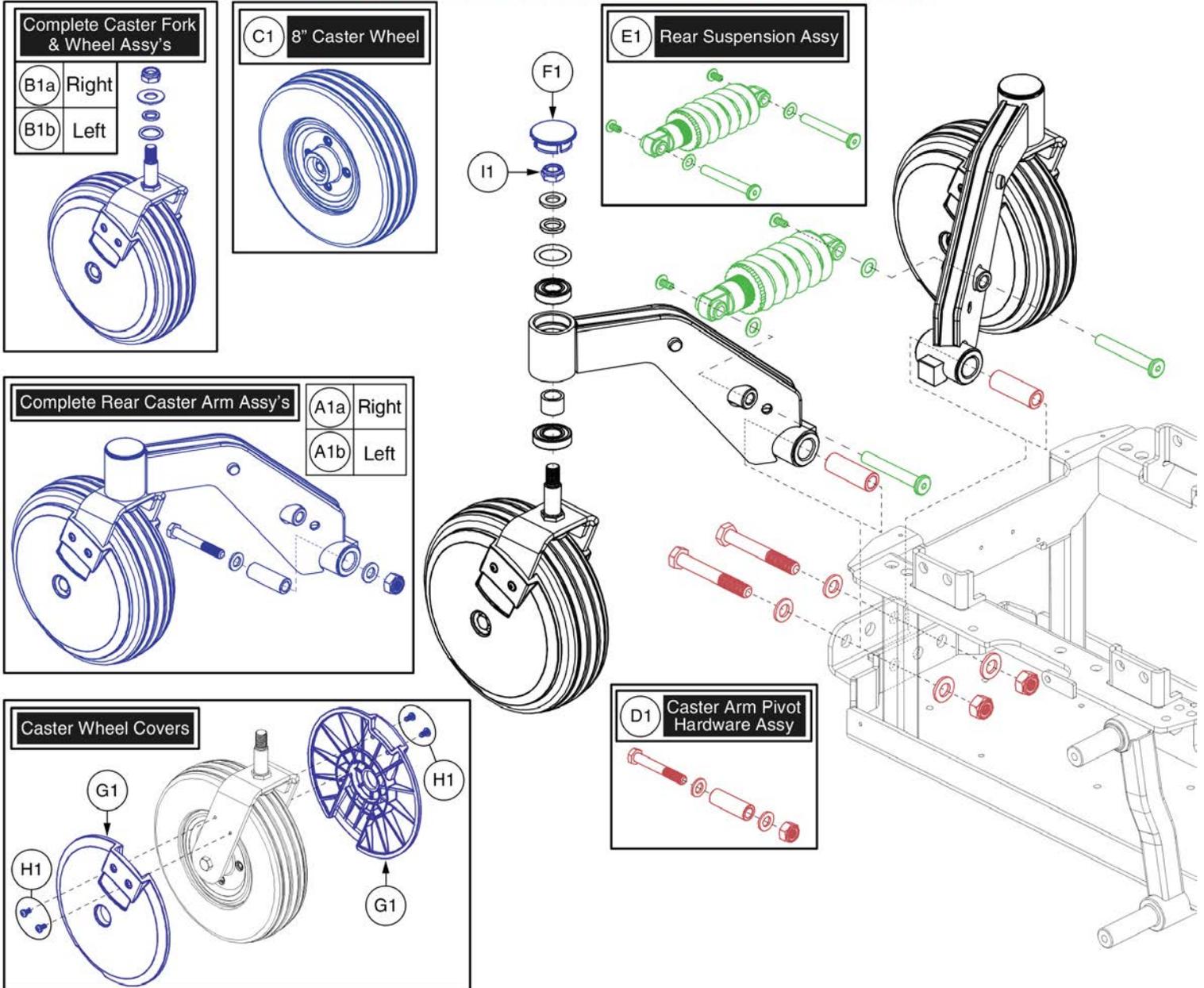
Rear Caster Assy - 6" Casters, Edge 2.0



Item	Part No.	Name	Qty
A1a	MEC138498-D	CASTER ARM,ASSY,6" EURO GRAY RIM/BLACK TIRE,BLACK CASTER ARM,REAR RIGHT	1
A1b	MEC138497-D	CASTER ARM,ASSY,6" EURO GRAY RIM/BLACK TIRE,6" BLACK CASTER ARM,REAR LEFT	1
B1a	MEC151501-B	CASTER ASSEMBLY, 6", BLACK RIM / BLACK TIRE, RIGHT	1
B1b	MEC151499-B	CASTER ASSEMBLY, 6", BLACK RIM / BLACK TIRE, LEFT	1
C1	WHLASMB7110039	WHEEL,ASSY,LOW IMPACT,BLACK RIM/BLACK TIRE,6" X 2",W/BEARINGS & SPACER,E-1202-039	1
D1	HDWASMB1170	PIVOT HARDWARE SUB-ASSEMBLY	1
E1	MEC145230	REAR SUSPENSION ASSEMBLY, EDGE 2.0	1
F1	DGN140932	CASTER CAP, 42MM BARREL	1
G1	DWR1202D044	COVER,CASTER SPHERE,BLACK,6" WHEEL,THIN,LOW PROFILE,D- 1202-044	2
H1	SCRPPH1036	SCREW, PAN HEAD, TYPE H, M4X0.7 X 8, FT, ISO 7045, CL 4.8, BZ	4
I1	MEC122534	CASTER BEARING KIT	1
J1	NUTNYLK1013	NUT,LOCK,M12X1.75,12 HIGH,19 WIDE,CL 8,BZ,PVTP	1
K1	WASMETR1032	WASHER,FLAT,13ID X 24OD X 2.5TH,ISO 7089-12-200 HV,BZ	1

3. Rear Caster Assy

NOTE: Only serviceable components contain callouts. Items with lower-case extensions represent left/right specific sides.



Rear Caster Assy - 8" Casters, Edge 2.0



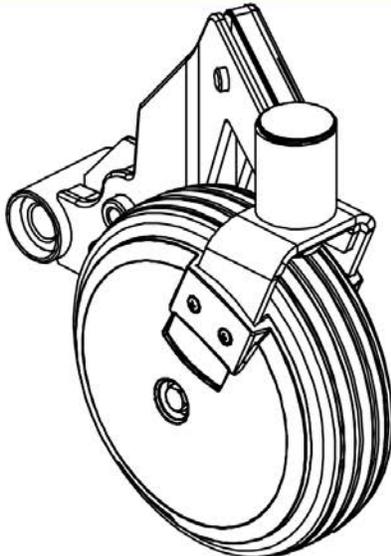
Item	Part No.	Name	Qty
A1a	MEC140300-D	CASTER ARM,ASSY,8" BLACK RIM/BLACK TIRE,BLACK CASTER ARM,REAR RIGHT	1
A1b	MEC140301-D	CASTER ARM,ASSY,8" BLACK RIM/BLACK TIRE,BLACK CASTER ARM,REAR LEFT	1
B1a	MEC153680-B	CASTER ASSEMBLY, 8", BLACK RIM / BLACK TIRE, RIGHT	1
B1b	MEC153679-B	CASTER ASSEMBLY, 8", BLACK RIM / BLACK TIRE, LEFT	1
C1	WHLASMB7110037	WHEEL,ASSY,LOW IMPACT,BLACK RIM/BLACK TIRE,8" X 2",W/BEARINGS & SPACER,E-1202-038	1
D1	HDWASMB1170	PIVOT HARDWARE SUB-ASSEMBLY	1
E1	MEC162544	REAR SUSPENSION ASSEMBLY,EDGE 2.0 8" CASTER	1
F1	DGN140932	CASTER CAP, 42MM BARREL	1
G1	DWR1202D046	COVER,CASTER SPHERE,BLACK,8" WHEEL,THIN,LOW PROFILE,D-1202-046	2
H1	SCRPPH1036	SCREW, PAN HEAD, TYPE H, M4X0.7 X 8, FT, ISO 7045, CL 4.8, BZ	4
I1	HDW1704070	NUT,LOCK,THIN,M12X1.75,ISO 10511,CL 04,BZ,PVTP	1

Caster Arm Retrofit Assy's

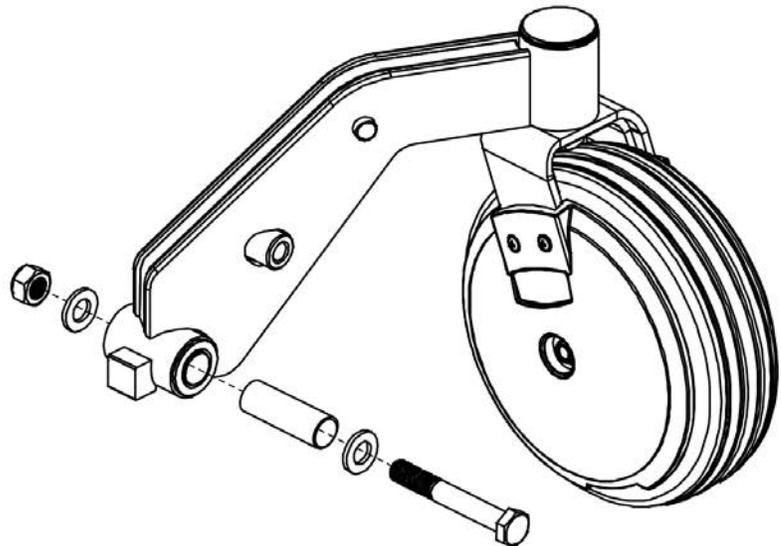
A1 KIT168287 - Q6Edge 2.0 Caster Arm Replacement, 6" to 8"



QUANTUM

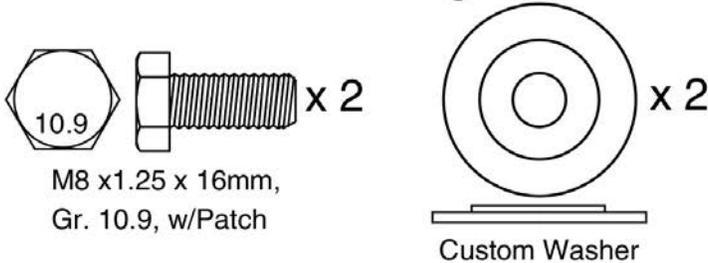


Left & Right Front Caster Arm Assemblies

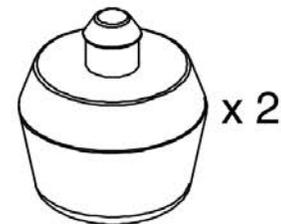


Left & Right Rear Caster Arm Assemblies

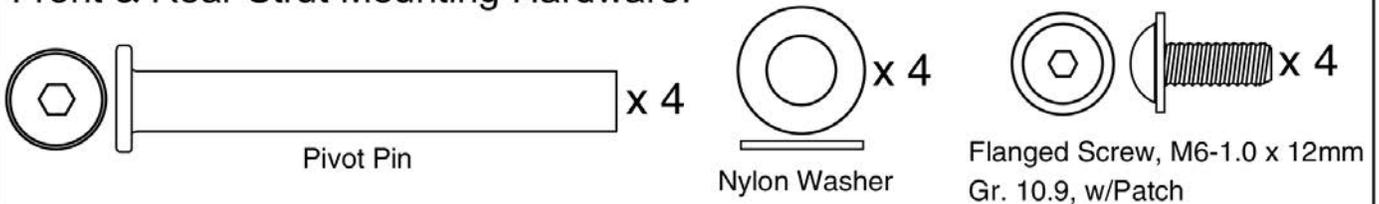
Front Caster Arm Mounting Hardware:



Caster Arm Bumper:



Front & Rear Strut Mounting Hardware:



www.quantumrehab.com

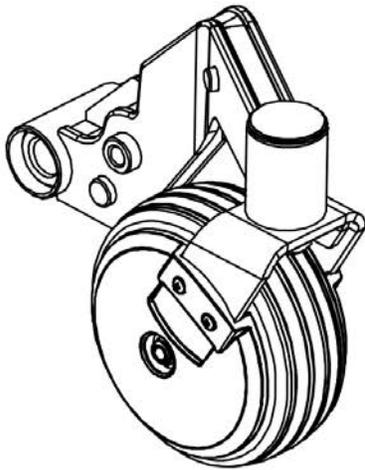
Item	Part No.	Name	Qty
A1	KIT168287	KIT,ASSY,Q6EDGE 2.0 CASTER ARM REPLACEMENT,6" TO 8"	1

Caster Arm Retrofit Assy's

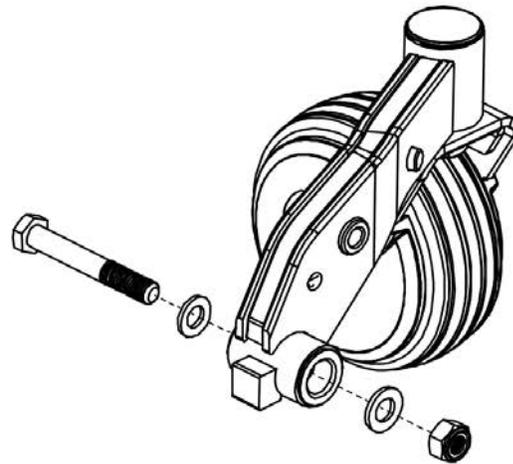
A1 KIT168288 - Q6Edge 2.0 Caster Arm Replacement, 8" to 6"



QUANTUM

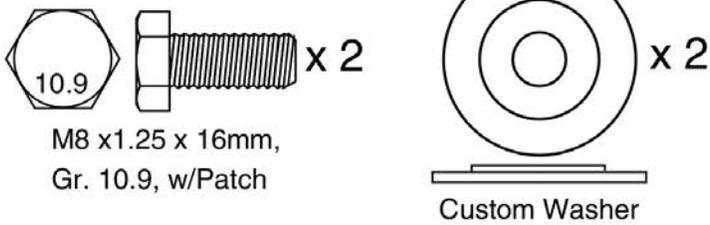


Left & Right Front Caster Arm Assemblies

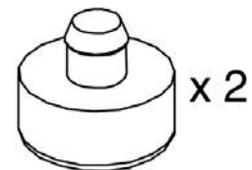


Left & Right Rear Caster Arm Assemblies

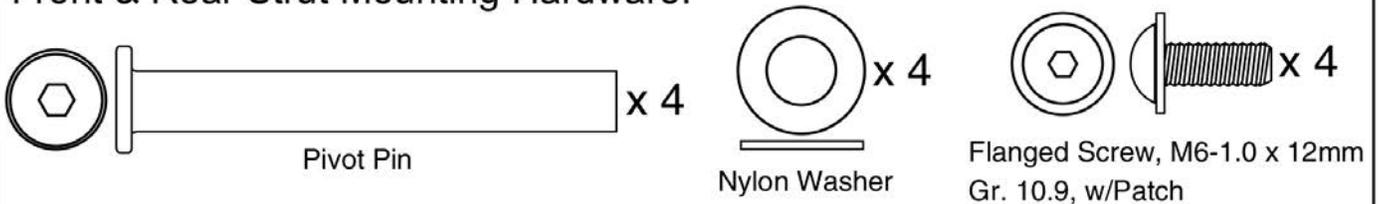
Front Caster Arm Mounting Hardware:



Caster Arm Bumper:



Front & Rear Strut Mounting Hardware:



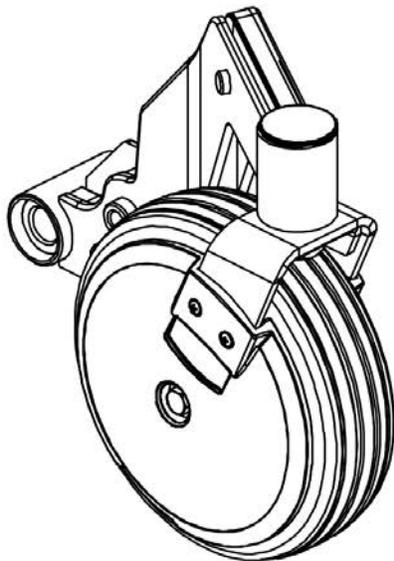
www.quantumrehab.com



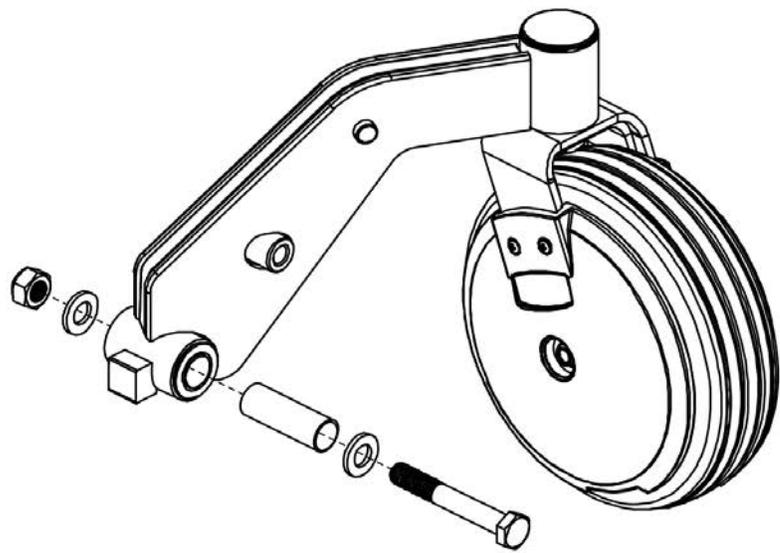
Item	Part No.	Name	Qty
A1	KIT168288	KIT,ASSY,Q6EDGE 2.0 CASTER ARM REPLACEMENT,8" TO 6"	1

Caster Arm Retrofit Assy's

A1 KIT168289 - Q6Edge 2.0 Caster Arm Replacement, 8" to 8"

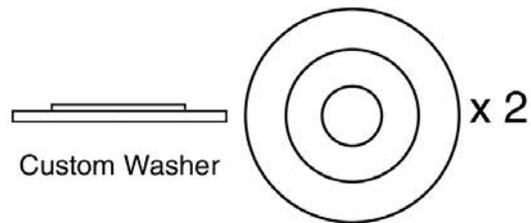
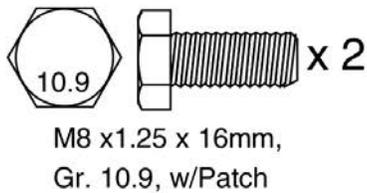


Left & Right Front Caster Arm Assemblies

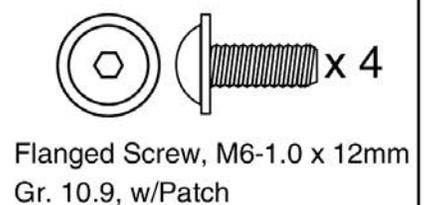
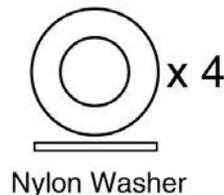
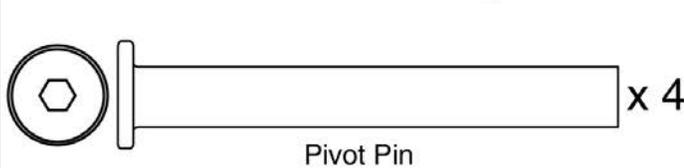


Left & Right Rear Caster Arm Assemblies

Front Caster Arm Mounting Hardware:



Front & Rear Strut Mounting Hardware:





Item	Part No.	Name	Qty
A1	KIT168289	KIT,ASSY,Q6EDGE 2.0 CASTER ARM REPLACEMENT,8" TO 8"	1

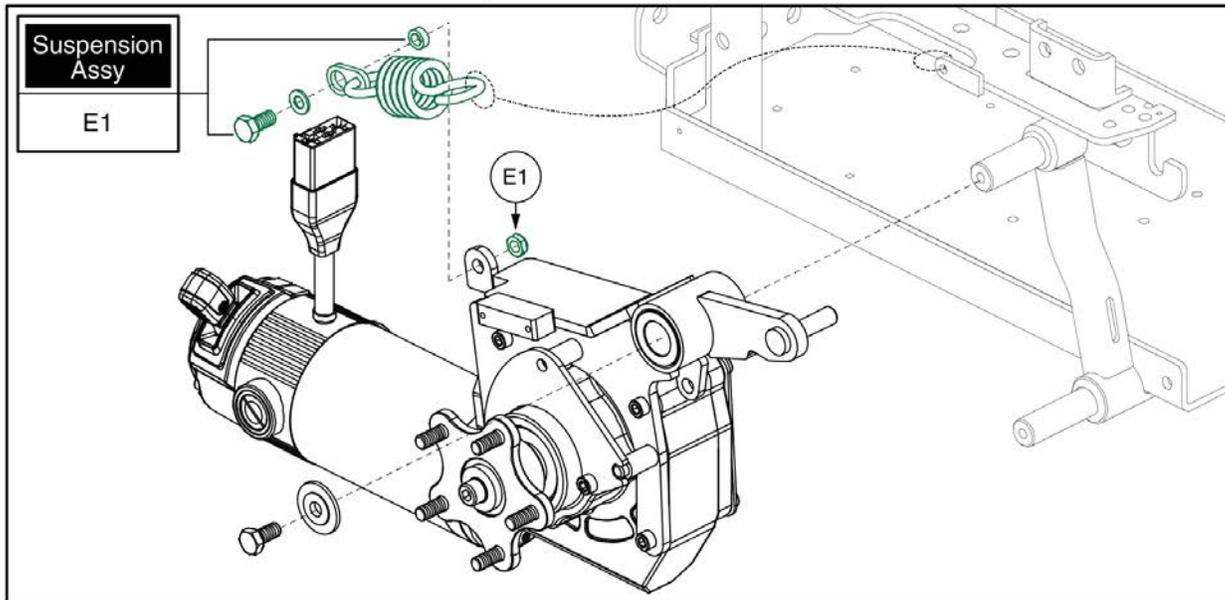
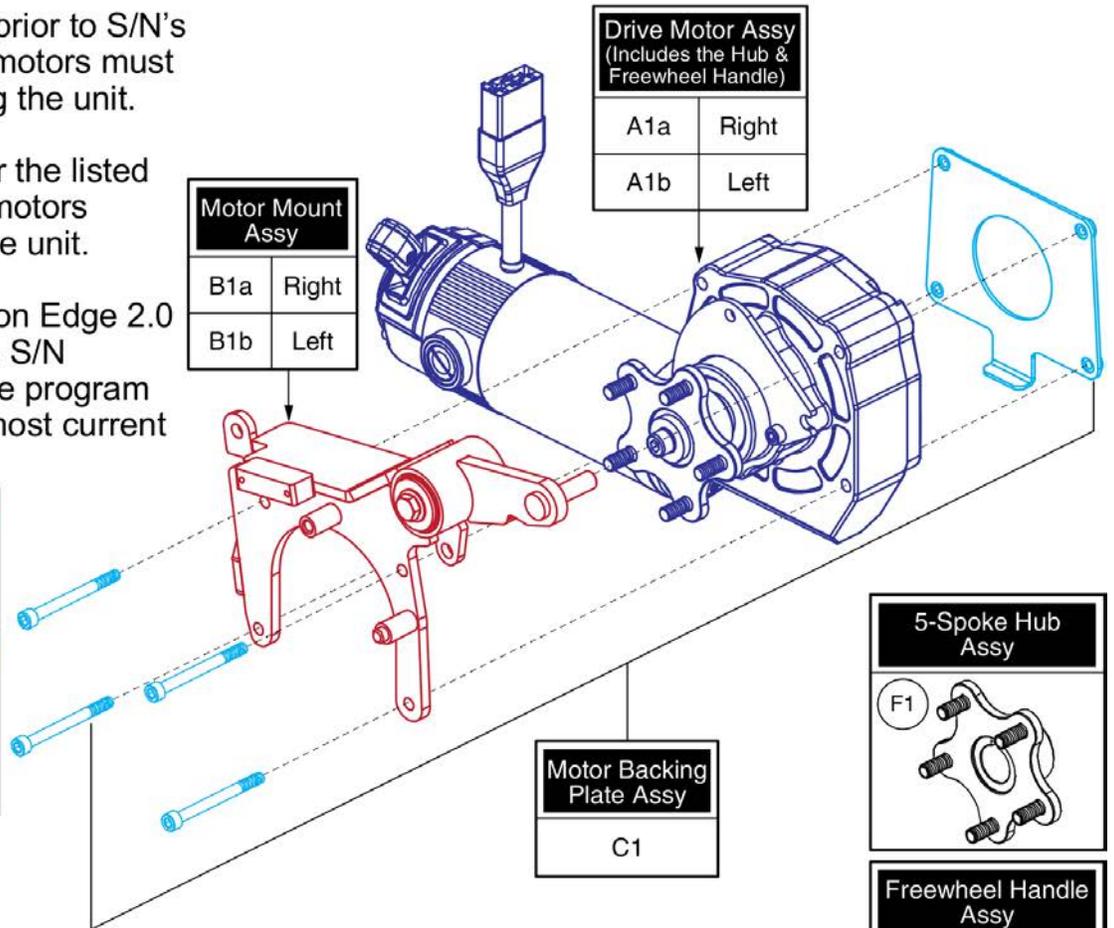
4. Drive Motor Assy

1. For units manufactured prior to S/N's listed, both the left & right motors must be replaced when servicing the unit.

2. Units manufactured after the listed S/N's can have individual motors replaced when servicing the unit.

3. When replacing motors on Edge 2.0 units manufactured prior to S/N JD804616001020, the drive program should be updated to the most current version.

Model	S/N Cut-in			
Q6 Edge 2.0	JD827619018020			
Q6 Edge 3	JE727619022020			
S/N Explanation				
JD827619018020				
Model Code	Julian Day	Year	Unit # Produced	Location



Item	Part No.	Name	Qty
A1a	MOT1810170-01	RIGHT MOTOR ASSY,EDGE 2/3,700MM CURTIS CONNECTOR	1
A1b	MOT1810171-01	LEFT MOTOR ASSY,EDGE 2/3,700MM CURTIS CONNECTOR	1
B1a	MEC145208	RIGHT MOTOR MOUNT ASSEMBLY, LINIX	1
B1b	MEC145207	LEFT MOTOR MOUNT ASSEMBLY, LINIX	1
C1	MEC145634	MOTOR MOUNT,ASSY,LINIX TO EDGE 2.0	1
D1	FRMASMB8691	FREEWHEEL,ASSY,RELEASE HANDLE GRIP,YELLOW,B-1160-051	1
E1	FRMASMB16030	SUSPENSION,ASSY,PIVOTING SPRING MOUNT,QUANTUM623,C- 1062-044	1
F1	MEC145417	HUB ASSEMBLY	1

4. Drive Motor Assy

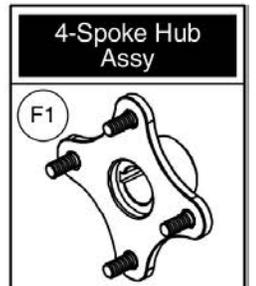
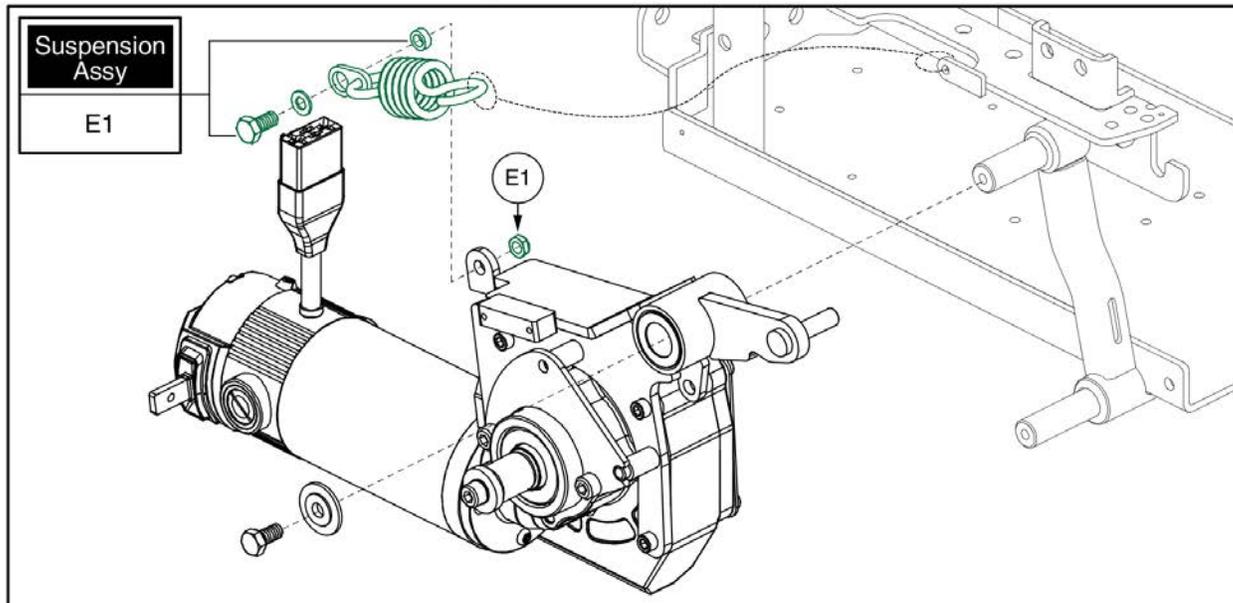
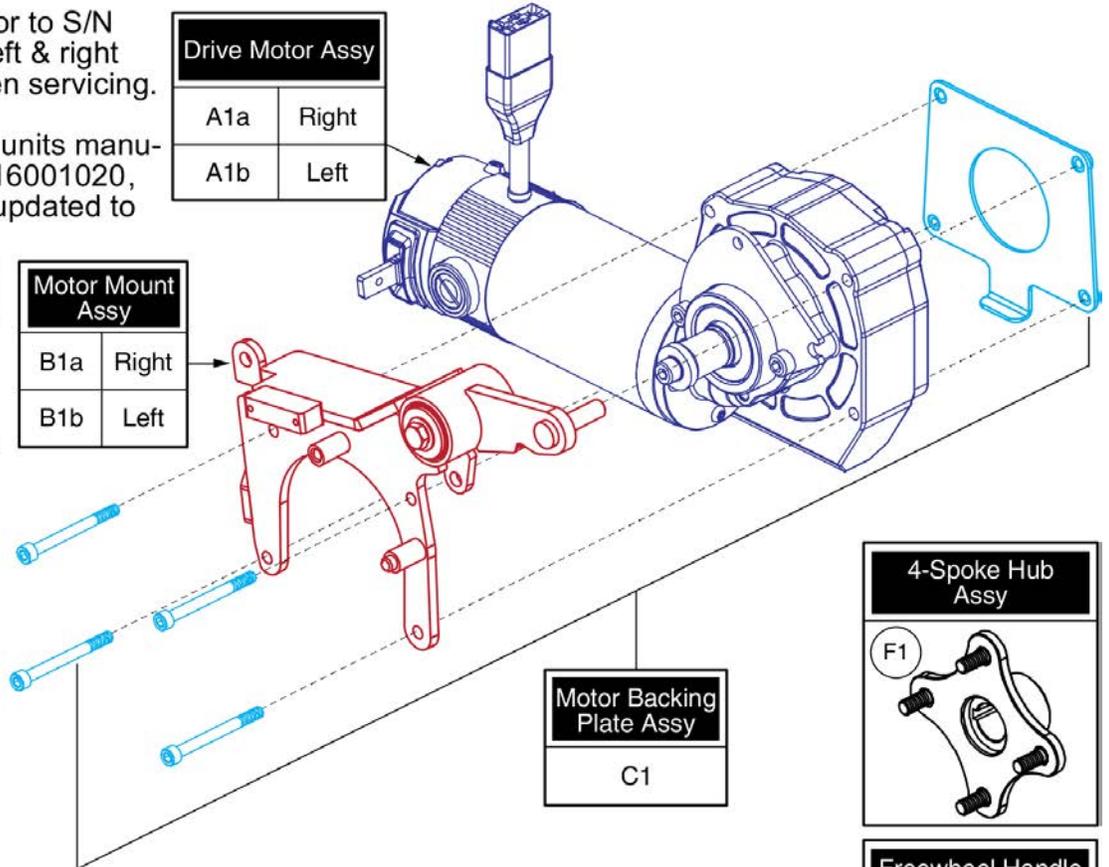
1. For units manufactured prior to S/N JD832715049020, both the left & right motors must be replaced when servicing.

2. When replacing motors on units manufactured prior to S/N JD804616001020, the drive program should be updated to the most current version.

S/N Explanation				
J	D	8	3	2
Model Code	Julian Day	Year	Unit # Produced	Location
				7
				1
				5
				0
				4
				9
				0
				2
				0
				2
				0

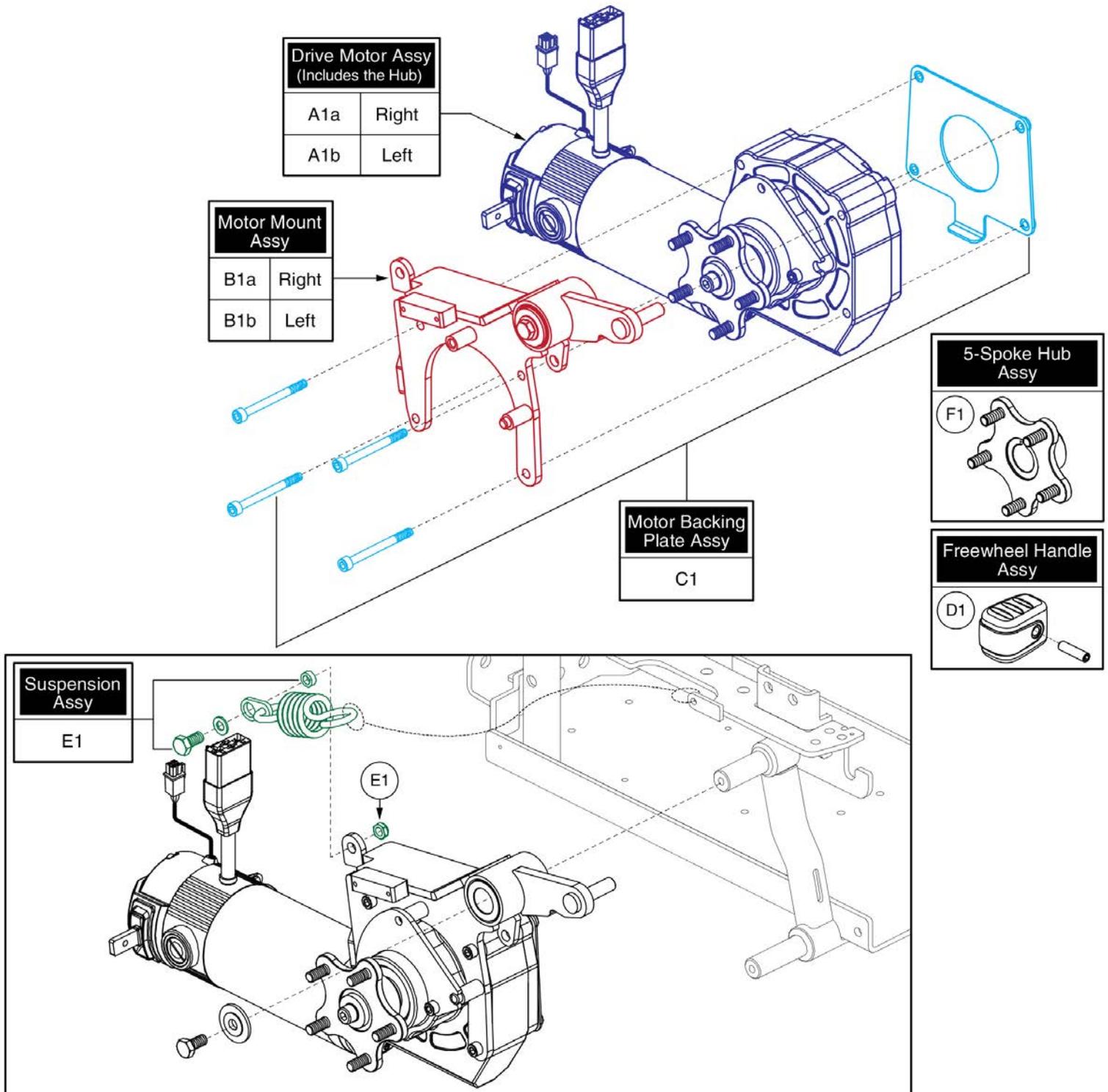
Motor Mount Assy	
B1a	Right
B1b	Left

Drive Motor Assy	
A1a	Right
A1b	Left



Item	Part No.	Name	Qty
A1a	MOT147435	MOTOR,ASSY,6 MPH,RIGHT,Q6EDGE 2,CURTIS CONNECTOR,W/KNOBBY TIRE HUB	1
A1b	MOT147434	MOTOR,ASSY,6 MPH,LEFT,Q6EDGE 2,CURTIS CONNECTOR,W/KNOBBY TIRE HUB	1
B1a	MEC145208	RIGHT MOTOR MOUNT ASSEMBLY, LINIX	1
B1b	MEC145207	LEFT MOTOR MOUNT ASSEMBLY, LINIX	1
C1	MEC145634	MOTOR MOUNT,ASSY,LINIX TO EDGE 2.0	1
D1	FRMASMB8691	FREEWHEEL,ASSY,RELEASE HANDLE GRIP,YELLOW,B-1160-051	1
E1	FRMASMB16030	SUSPENSION,ASSY,PIVOTING SPRING MOUNT,QUANTUM623,C- 1062-044	1
F1	MEC145470	HUB, W/STUDS, KNOBBY TIRE, LINIX SHAFT	1

4. Drive Motor Assy



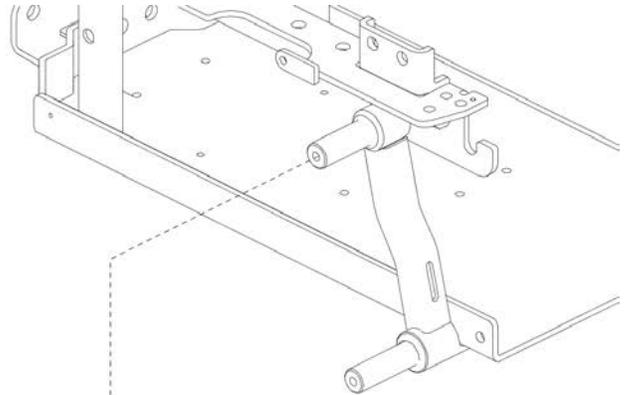
Item	Part No.	Name	Qty
A1a	MOT155716-01	RIGHT HAND, LINIX ENCODER MOTOR, FACEPLATE, HUB, MIR,CURTIS,700MM LEADS	1
A1b	MOT155715-01	LEFT HAND, LINIX ENCODER MOTOR, FACEPLATE, HUB, CURTIS,700MM LEADS	1
B1a	MEC145208	RIGHT MOTOR MOUNT ASSEMBLY, LINIX	1
B1b	MEC145207	LEFT MOTOR MOUNT ASSEMBLY, LINIX	1
C1	MEC145634	MOTOR MOUNT,ASSY,LINIX TO EDGE 2.0	1
D1	FRMASMB8691	FREEWHEEL,ASSY,RELEASE HANDLE GRIP,YELLOW,B-1160-051	1
E1	FRMASMB16030	SUSPENSION,ASSY,PIVOTING SPRING MOUNT,QUANTUM623,C- 1062-044	1
F1	MEC145417	HUB ASSEMBLY	1

4. Drive Motor Assy

Please note: For units manufactured prior to S/N JD832715049020, both Motors must be replaced.

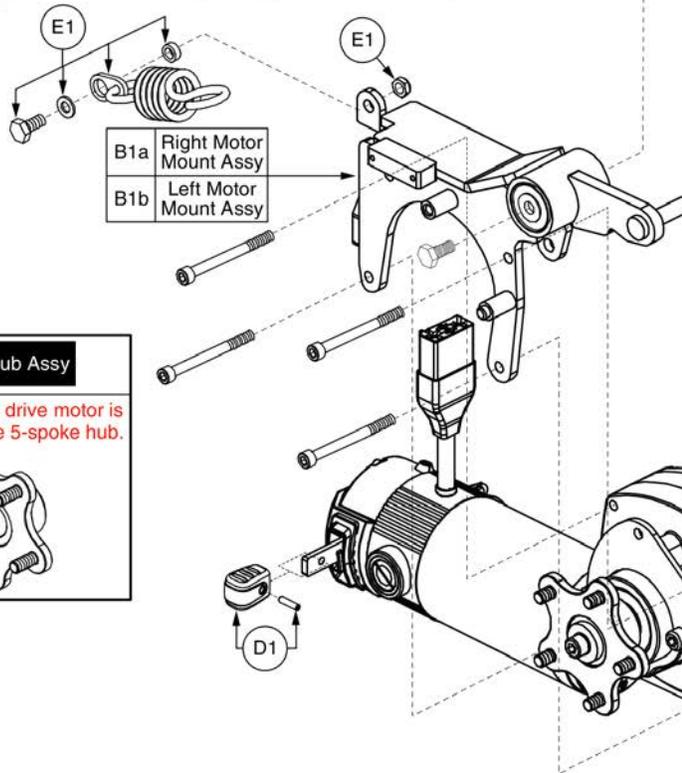
S/N Explanation			
J	D	8	3
0	0	1	5
X	X	X	0
2	0		
Model Code	Julian Year Day	Unit # Produced	Production Location

When replacing Motors prior to S/N JD804616xxx020, it is recommended to update the drive program to the most current version.



C1 Motor Mount Backing Plate Assy

Parts are not available individually. The complete assy must be selected.



F1 5-spoke Hub Assy

Please note: The drive motor is equipped with the 5-spoke hub.

A1a	Right Motor Assy
A1b	Left Motor Assy

Drive Motor Assy - 5 Spoke Hub, PG, Edge 2.0



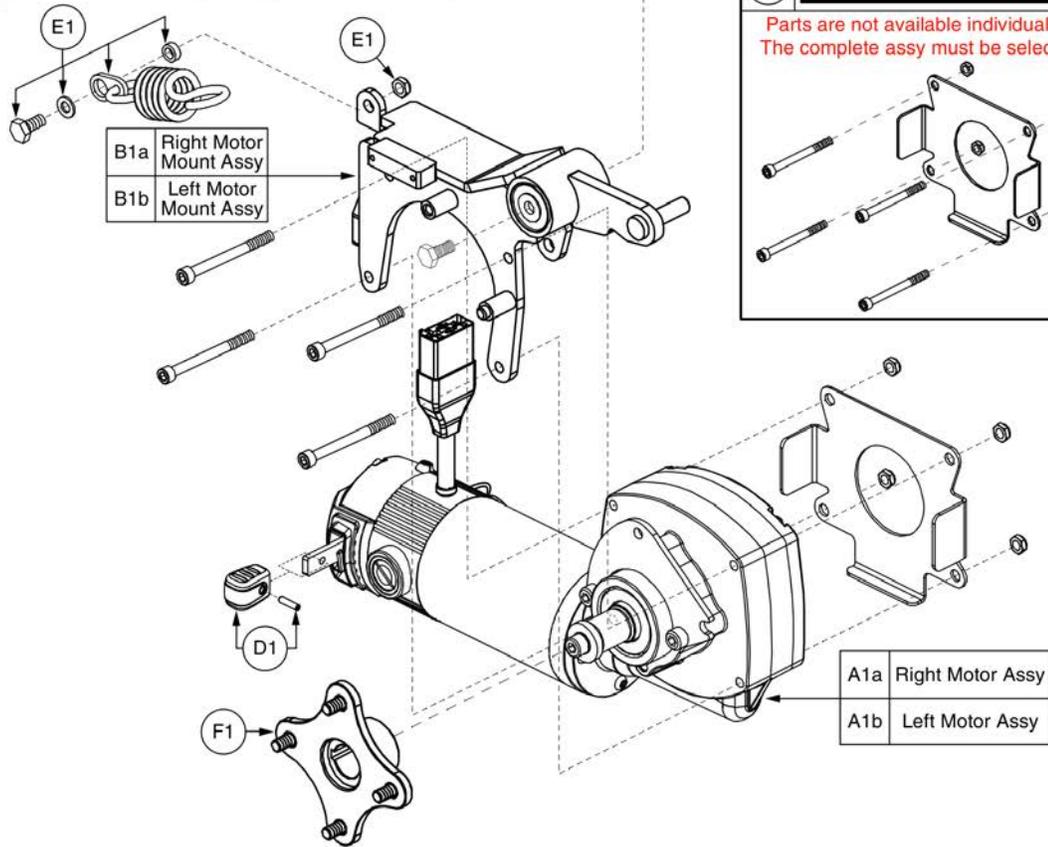
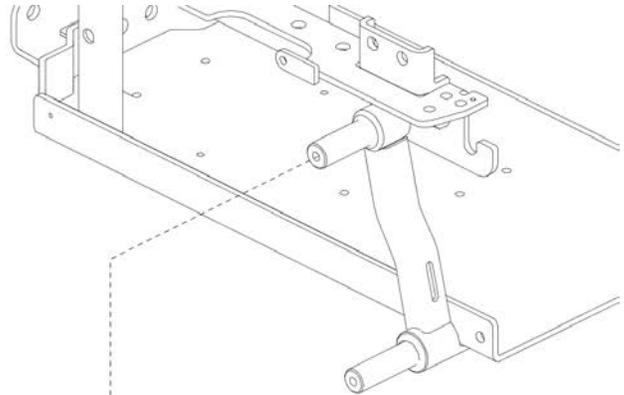
Item	Part No.	Name	Qty
A1a	MOT154324-02	MOTOR ASM VER 2, EDGE 2, RIGHT, HUB AND BRACKET, R-NET, 700MM LEADS	1
A1b	MOT154323-02	MOTOR ASM, VER 2, EDGE 2, LEFT, HUB AND BRACKET, R-NET, 700MM LEADS	1
B1a	MEC145208	RIGHT MOTOR MOUNT ASSEMBLY, LINIX	1
B1b	MEC145207	LEFT MOTOR MOUNT ASSEMBLY, LINIX	1
C1	MEC145634	MOTOR MOUNT,ASSY,LINIX TO EDGE 2.0	1
D1	FRMASMB8691	FREEWHEEL,ASSY,RELEASE HANDLE GRIP,YELLOW,B-1160-051	1
E1	FRMASMB16030	SUSPENSION,ASSY,PIVOTING SPRING MOUNT,QUANTUM623,C- 1062-044	1
F1	MEC145417	HUB ASSEMBLY	1

4. Drive Motor Assy

Please note: For units manufactured prior to S/N JD832715049020, both Motors must be replaced.

S/N Explanation			
J	D	8	3
0	0	1	5
X	X	X	0
2	0		
Model Code	Julian Day	Year Produced	Unit # Location

When replacing Motors prior to S/N JD804616xxx020, it is recommended to update the drive program to the most current version.

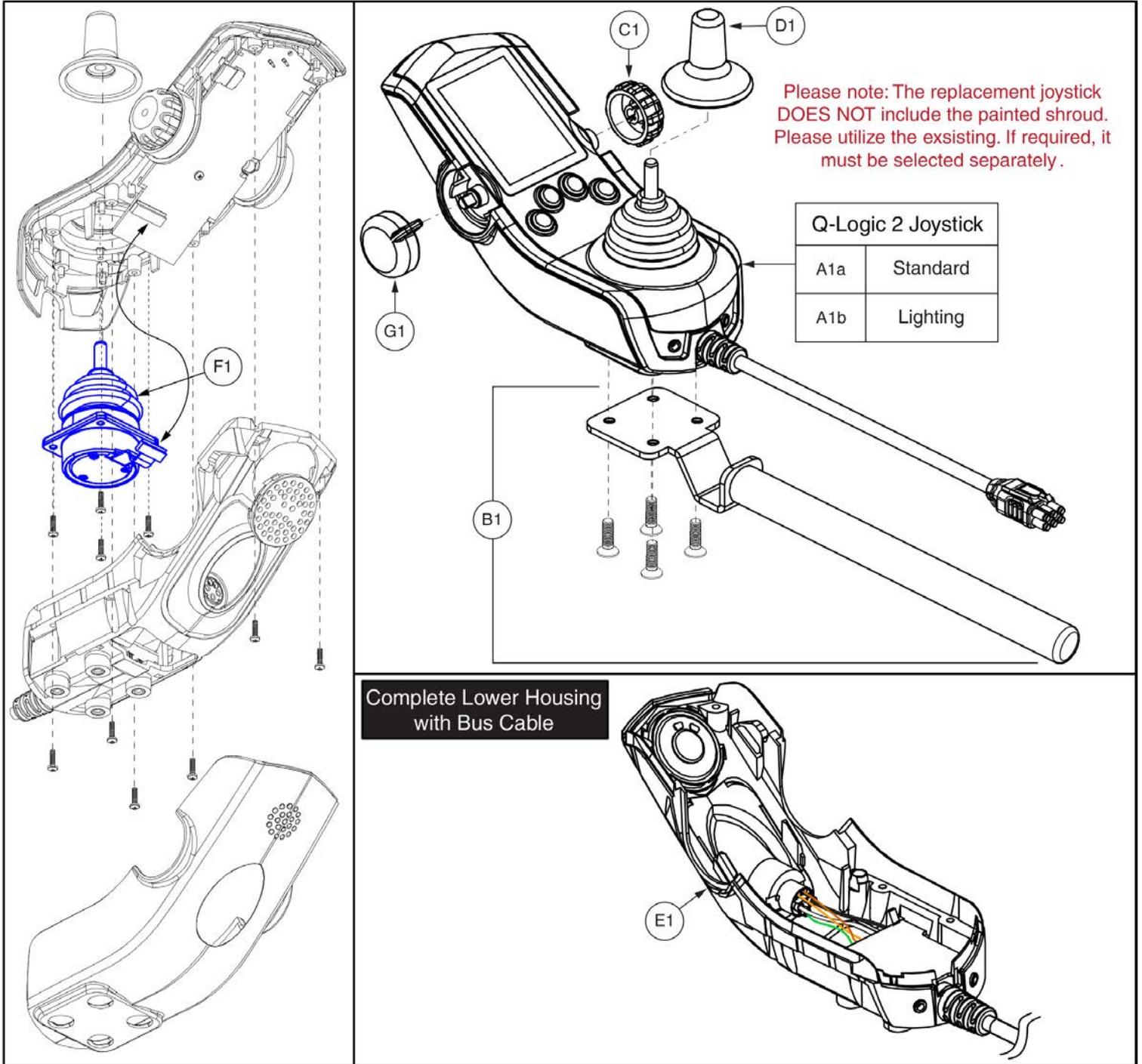


Drive Motor Assy - 4 Spoke Hub, PG, Edge 2.0



Item	Part No.	Name	Qty
A1a	MOT148210	MOTOR,ASSY,6 MPH,RIGHT,Q6EDGE 2,PG CONNECTOR,W/KNOBBY TIRE HUB	1
A1b	MOT148209	MOTOR,ASSY,6 MPH,LEFT,Q6EDGE 2,PG CONNECTOR,W/KNOBBY TIRE HUB	1
B1a	MEC145208	RIGHT MOTOR MOUNT ASSEMBLY, LINIX	1
B1b	MEC145207	LEFT MOTOR MOUNT ASSEMBLY, LINIX	1
C1	MEC145634	MOTOR MOUNT,ASSY,LINIX TO EDGE 2.0	1
D1	FRMASMB8691	FREEWHEEL,ASSY,RELEASE HANDLE GRIP,YELLOW,B-1160-051	1
E1	FRMASMB16030	SUSPENSION,ASSY,PIVOTING SPRING MOUNT,QUANTUM623,C- 1062-044	1
F1	MEC145470	HUB, W/STUDS, KNOBBY TIRE, LINIX SHAFT	1

5. Joystick Assy

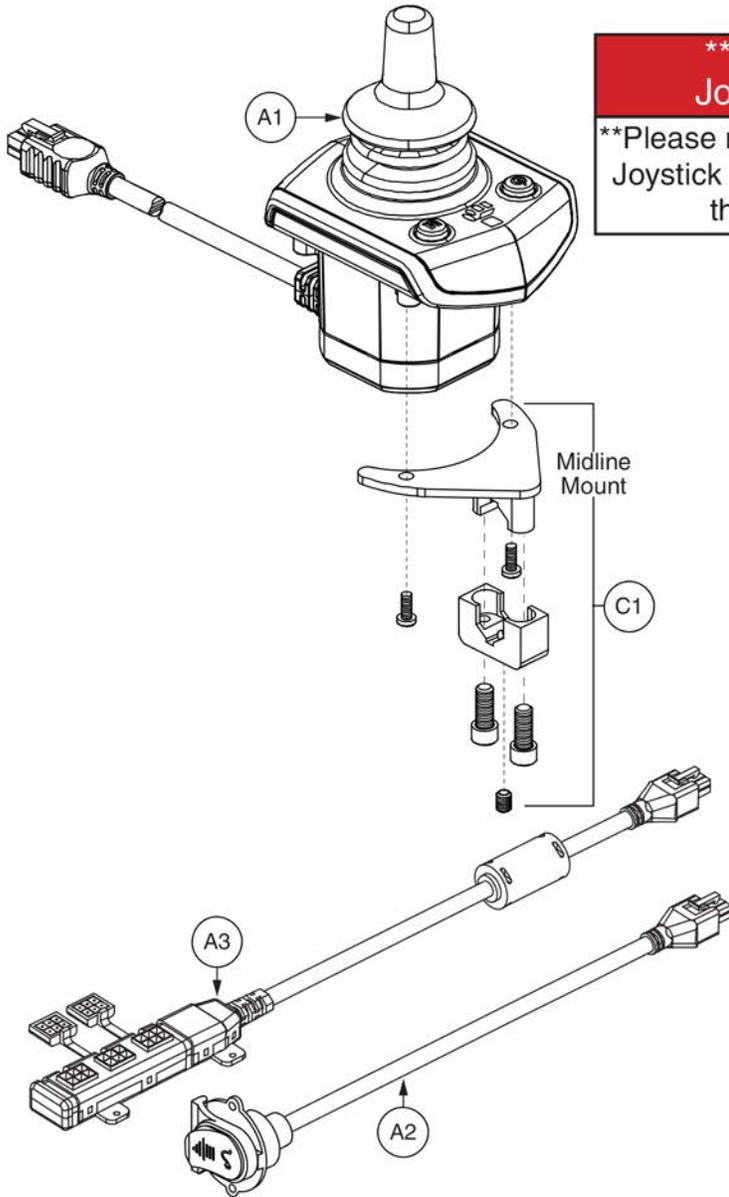


Q-Logic 2 Joystick Assemblies

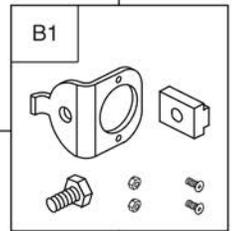
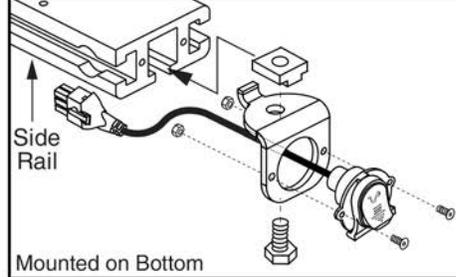
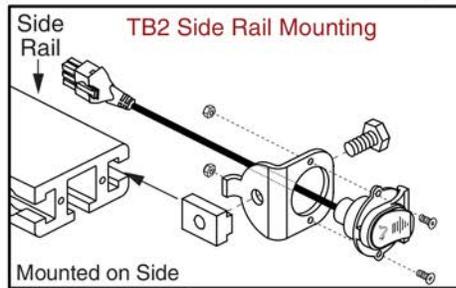
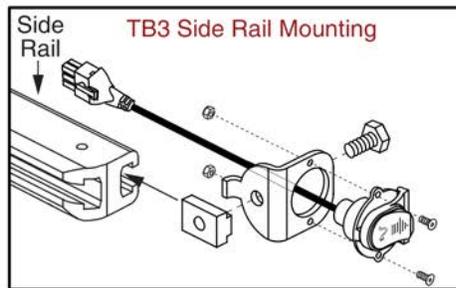
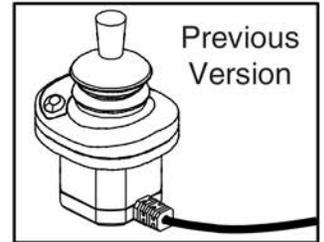


Item	Part No.	Name	Qty
A1a	CTL123217	CONTROLLER,JOYSTICK MODULE Q-LOGIC 2,4 KEY,W/LCD COLOR DISPLAY	1
A1b	CTL124653	CONTROLLER,JOYSTICK MODULE Q-LOGIC 2,4 KEY,LIGHTS,W/LCD COLOR DISPLAY	1
B1	FRMASMB10617	JOYSTICK MOUNTING BRACKET,ASSY,CURTIS,INLINE	1
C1	DGN124309	SPEED WHEEL,KNOB,CURTIS Q-LOGIC 2,BLACK,PLASTIC,DGN124309,(CURTIS: 17949367-01)	1
D1	DGN124308	JOYSTICK,KNOB,CURTIS,STANDARD,6.35MM-ID,DGN124308,(CURTIS: 37381)	1
E1	ELE124313	Q-LOGIC 2 BOTTOM HOUSING,JOYSTICK MODULE,W/BUS CABLE	1
F1	ELE124312	ELECTRONIC,JOYSTICK GIMBLE,DIGITAL,Q-LOGIC 2&3	1
G1	KIT152919	KIT,ASSY,Q-LOGIC 2 CONTROLLER,ON/OFF/MODE TOGGLE REPLACEMENT,W/INSTALLATION INSTRUCTIONS	1

5. Joystick Assy



*****Q-Logic Stand Alone Joystick Replacement*****
****Please note: The Q-Logic 2 Stand Alone Joystick replaces all previous versions of the Stand Alone joystick.****



Q-Logic 2 Stand Alone Joystick Assy



Item	Part No.	Name	Qty
A1	CTL137635	CONTROLLER,STAND ALONE JOYSTICK 2.0,Q-LOGIC 2 (CURTIS: 17960700-8109)	1
A2	DWR1111H051	HARNESS,CHARGER/PROGRAMMER,1.0 METER,H-1111-051,(CURTIS: 17880700)	1
A3	DWR1111H053	HARNESS,MULTIPLIER BOX,0.3 METER,H-1111-053,(CURTIS: 17869700)	1
B1	FRMASMB11156	MOUNTING BRACKET,ASSY,STAND ALONE JOYSTICK,SIDE RAIL MOUNT,C-1360-163	1
C1	FRMASMB10454	JOYSTICK MOUNTING BRACKET,ASSY,CURTIS STAND ALONE JOYSTICK,MIDLINE,C-1010-263	1

5. Joystick Assy

Q-Logic 3 Joysticks

* Q-Logic 3 Joystick replacement requires the selection of a Pre-programmed SD Card. SD Cards are not shown. Refer to the model specific SD Card pages for selection. *

Q-Logic 3 Joysticks (Shroud NOT Included) Select Separately	
A1	Standard
B1	Lighting

Standard Inline Joystick Mounting Bracket Assy	
C1	

- Refer to the Joystick Mounts & Receivers Sections for more Joystick mounting options.

Joystick Replacement notes:

- The replacement joystick DOES NOT include the painted shroud. Please utilize the existing. If required, it must be selected separately.
- The replacement joystick DOES NOT include the SD card. Refer to the model specific SD Card pages for selection.
- A Pre-programmed, Joystick mounted SD Card is required when:
 - Replacing a Joystick, Power Base Module, Seating Module, or Display.
 - Any circumstance where all of the electronics modules require replacement.
 - When retrofitting a unit in the field to Q-Logic 3 Electronics.
- The Q-Logic 3 system will reprogram the unit based upon the information loaded onto the SD card. A new SD card ensures the unit is loaded with the latest software.
- Contact Technical Service for more information.

D1	Speed Knob

E1	Joystick Knob

Lower Housing w/ Bus Cable	
F1	

Q-Logic 3 Joystick Assy's



Item	Part No.	Name	Qty
A1	CTL143976	EXPANDABLE CONTROLLER W/ JOYSTICK AND LCD COLOR DISPLAY, Q-LOGIC 3, 4-KEY, (CURTIS: 17949700-02-0009)	1
B1	CTL143977	EXPANDABLE CONTROLLER W/ JOYSTICK AND LCD COLOR DISPLAY AND LIGHTS, Q-LOGIC 3, 4-KEY, (CURTIS: 17949700-02-0109)	1
C1	FRMASMB10617	JOYSTICK MOUNTING BRACKET,ASSY,CURTIS,INLINE	1
D1	DGN124309	SPEED WHEEL,KNOB,CURTIS Q-LOGIC 2,BLACK,PLASTIC,DGN124309,(CURTIS: 17949367-01)	1
E1	DGN154742	JOYSTICK, KNOB, Q-LOGIC 3, 6.35MM-ID, (CURTIS: 17519114-01)	1
F1	ELE144006	ELECTRONIC, BOTTOM HOUSING, JOYSTICK MODULE Q-LOGIC 3,W/ BUS CABLE Q-LOGIC 3, (CURTIS: 17949366-02)	1

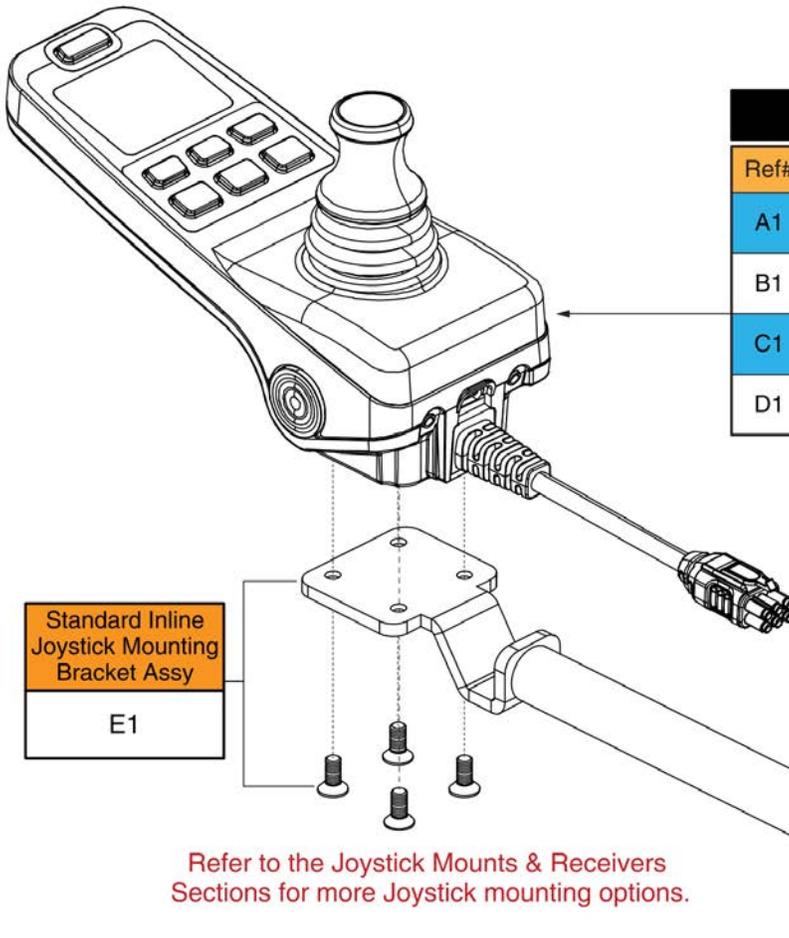
5. Joystick Assy

Q-Logic 3e Joysticks

Joystick Replacement Notes:

- The proper joystick assembly with programming must be selected to ensure the unit functions as intended.
- A pre-programmed SD card is **NOT** needed when replacing or retrofitting a Q-Logic 3e joystick on a unit. The latest firmware and program file are stored internally on the new joystick.
- The Q-Logic 3e joystick is compatible with all previous and current units equipped with Q-Logic 3 electronics and can be used in place of the full-featured joystick.

Contact Technical Service for more information.

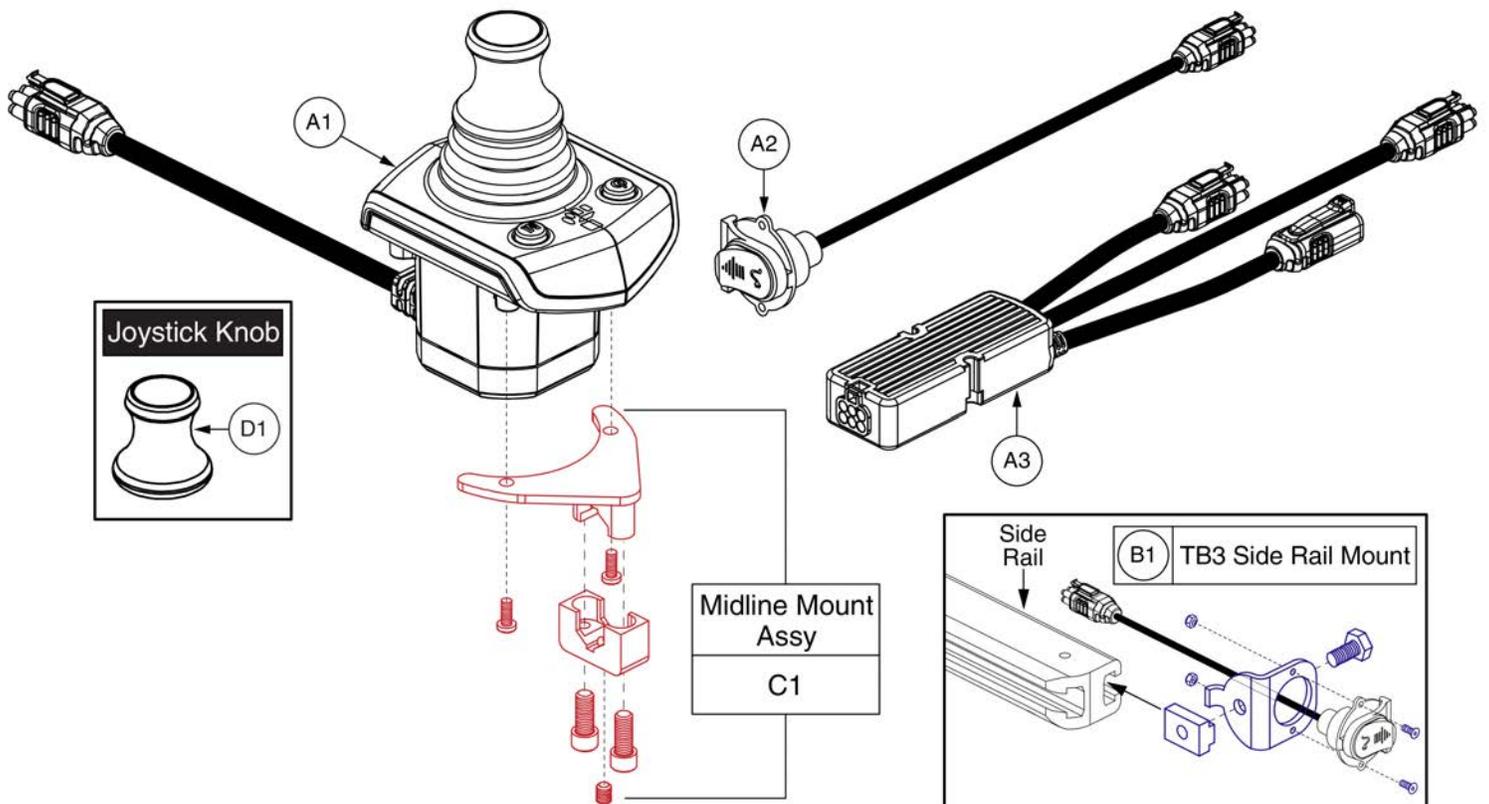


Q6 Edge 2 Joysticks w/ Programming			
Ref#	Part Number	Motors	Seating Config.
A1	ELE2001164	6 MPH Linix	Static Seat
B1	ELE2001163	6 MPH Linix	Power Positioning
C1	ELE2001166	6 MPH Linix, Accu Trac	Static Seat
D1	ELE2001165	6 MPH Linix, Accu Trac	Power Positioning

Refer to the Joystick Mounts & Receivers Sections for more Joystick mounting options.

Item	Part No.	Name	Qty
A1	ELE2001164	SERVICEABLE ASSEMBLY, Q-LOGIC 3E, Q6EDGE 2, 6MPH LINIX MOTORS, STATIC SEATING	1
B1	ELE2001163	SERVICEABLE ASSEMBLY, Q-LOGIC 3E, Q6EDGE 2, 6MPH LINIX MOTORS, POWER POSTIONING	1
C1	ELE2001166	SERVICEABLE ASSEMBLY, Q-LOGIC 3E, Q6EDGE 2, 6MPH LINIX MOTORS ACCU TRAC, STATIC SEATING	1
D1	ELE2001165	SERVICEABLE ASSEMBLY, Q-LOGIC 3E, Q6EDGE 2, 6MPH LINIX MOTORS ACCU TRAC, POWER POSITIONING	1
E1	FRMASMB10617	JOYSTICK MOUNTING BRACKET,ASSY,CURTIS,INLINE	1

5. Joystick Assy



Q-Logic 3 Stand Alone Joystick Assy



Item	Part No.	Name	Qty
A1	CTL143980	STANDALONE JOYSTICK, Q-LOGIC 3, (CURTIS: 17953700-1109)	1
A2	HAR144001	HARNESS, CHARGER/PROGRAMMER, Q-LOGIC 3, 0.9 METER,(CURTIS: 17880701)	1
A3	HAR144003	HARNESS, SEAT MULTIPLIER Q-LOGIC 3, (CURTIS: 17881360-02-01)	1
B1	FRMASMB11156	MOUNTING BRACKET,ASSY,STAND ALONE JOYSTICK,SIDE RAIL MOUNT,C-1360-163	1
C1	FRMASMB10454	JOYSTICK MOUNTING BRACKET,ASSY,CURTIS STAND ALONE JOYSTICK,MIDLINE,C-1010-263	1
D1	DGN154742	JOYSTICK, KNOB, Q-LOGIC 3, 6.35MM-ID, (CURTIS: 17519114-01)	1

5. Joystick Assy

Q-Logic 3 SD Card Master List - Q6 Edge 2.0			
Ref#	Part Number	Motor Type	Options
A1	ELE1700789	6 mph Linix	Power Positioning
B1	ELE1700824	6 mph Linix	Static
C1	ELE1700826	6 mph Linix, Accu Trac	Power Positioning
D1	ELE1700827	6 mph Linix, Accu Trac	Static

Please note:

- Pre-programmed SD Cards are required when:
 - Replacing a Joystick, Power Base Module, or Seating Module. A firmware upgrade occurred requiring a system update to enable all of the enhanced features.
 - Any circumstance where all of the electronics modules require replacement.
- The Q-Logic 3 system will reprogram the unit based upon the information loaded onto the SD card.
- The proper, programmed SD card must be selected to ensure the unit functions as intended.



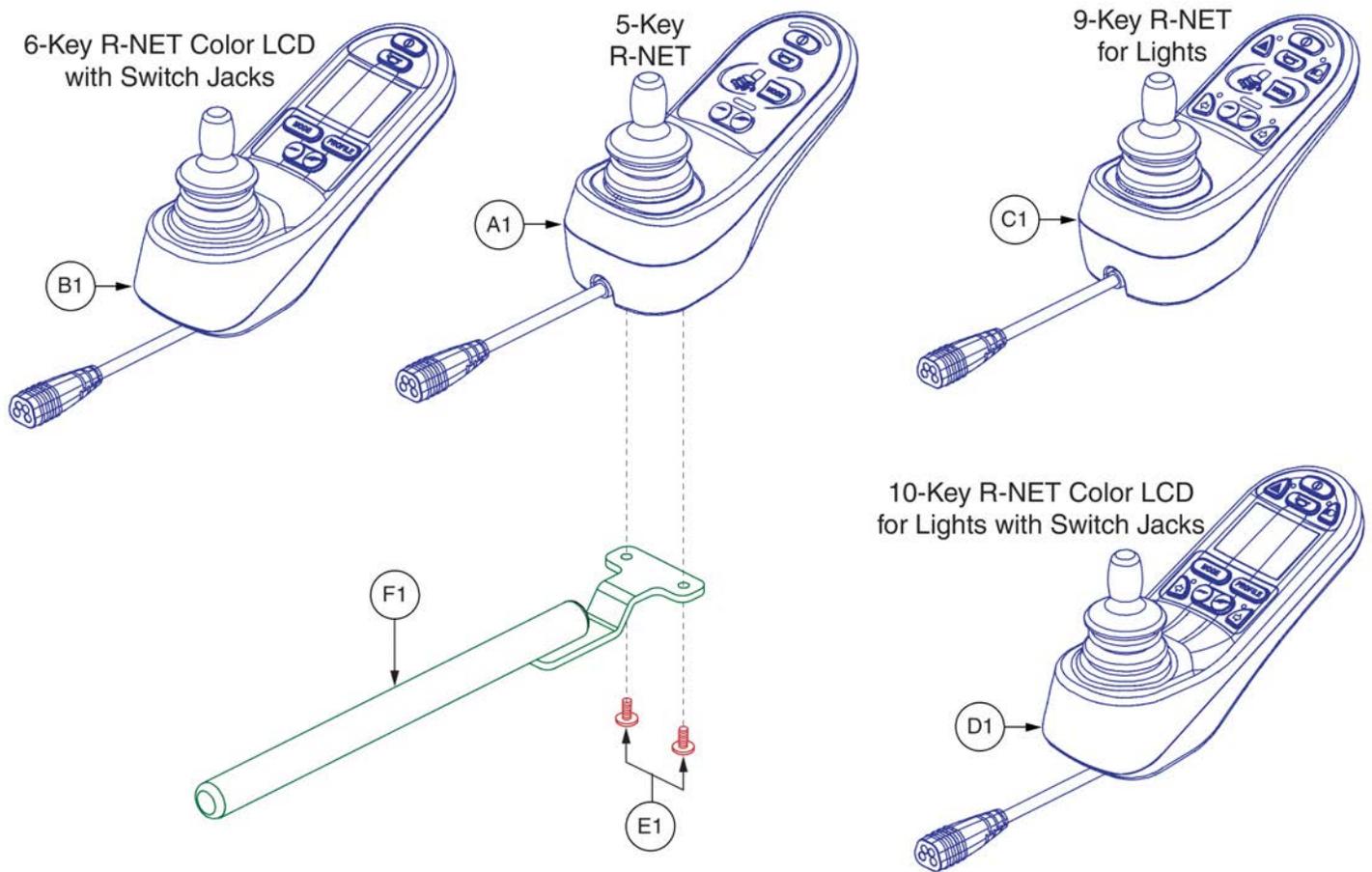
Pre-programmed
Micro SD Card

Q-Logic 3 SD Cards for Edge 2.0



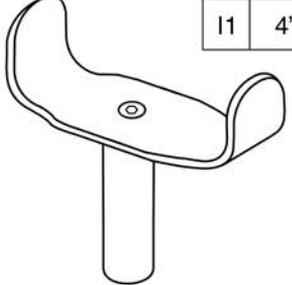
Item	Part No.	Name	Qty
A1	ELE1700789	SERVICABLE ASSEMBLY, SD CARD, Q-LOGIC 3, Q6EDGE 2, 6MPH LINIX MOTORS, POWER POSTIONING	1
B1	ELE1700824	SERVICABLE ASSEMBLY, SD CARD, Q-LOGIC 3, Q6EDGE 2, 6MPH LINIX MOTORS, STATIC SEATING	1
C1	ELE1700826	SERVICABLE ASSEMBLY, SD CARD, Q-LOGIC 3, Q6EDGE 2, 6MPH LINIX MOTORS ACCU TRAC, POWER POSITIONING	1
D1	ELE1700827	SERVICABLE ASSEMBLY, SD CARD, Q-LOGIC 3, Q6EDGE 2, 6MPH LINIX MOTORS ACCU TRAC, STATIC SEATING	1

5. Joystick Assy



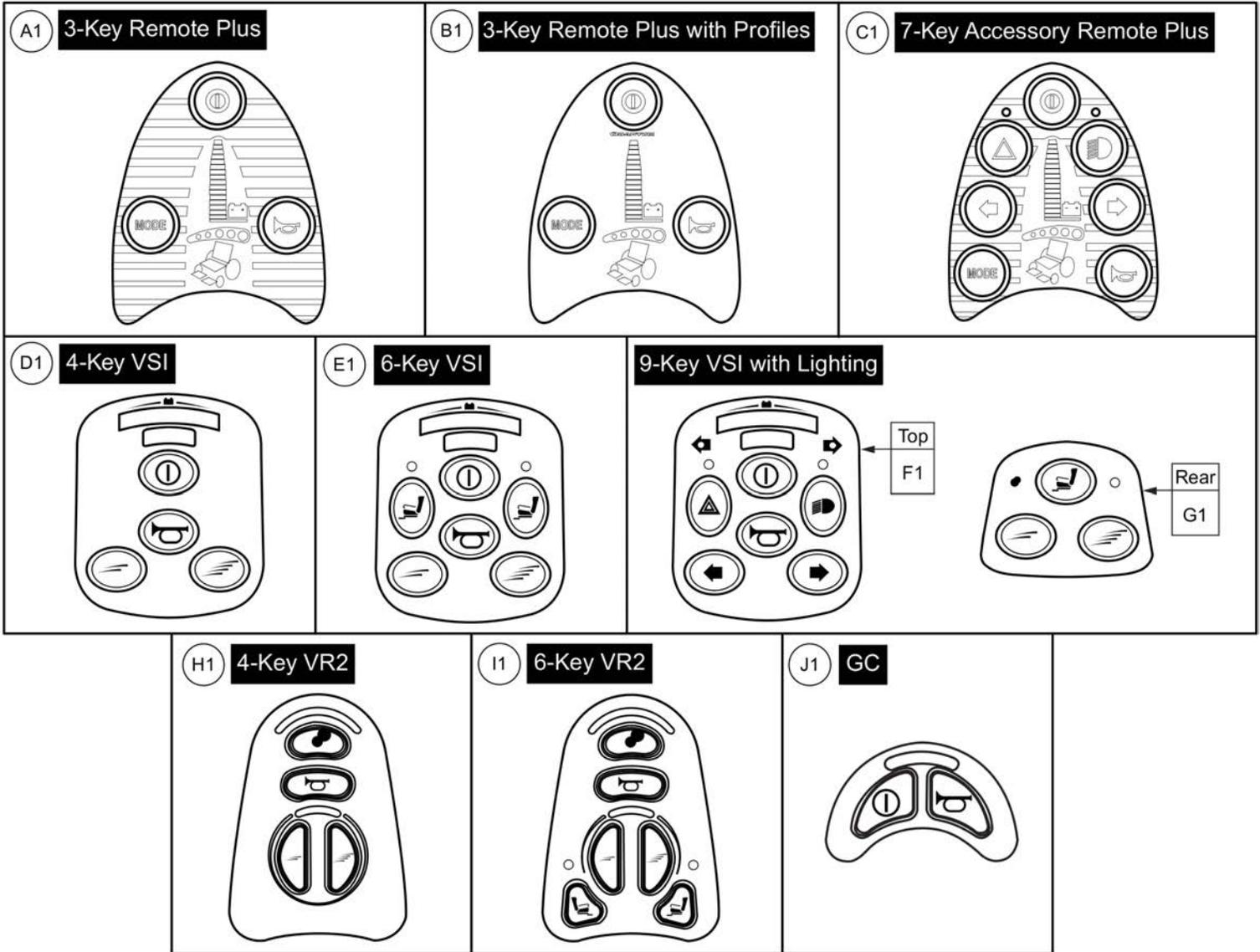
Item	Part No.	Name	Qty
A1	CTLDC1611	CONTROLLER,JOYSTICK MODULE,R-NET,5 KEY,E-1111-004,(P&G: D51315)	1
B1	CTLDC1613	CONTROLLER,JOYSTICK MODULE,R-NET,6 KEY,W/LCD COLOR DISPLAY & SWITCH JACKS,E-1111-006,(P&G: D51335)	1
C1	CTLDC1612	CONTROLLER,JOYSTICK MODULE,R-NET,9 KEY,LIGHTS,E-1111-005,(P&G: D51316)	1
D1	CTLDC1605	CONTROLLER,JOYSTICK MODULE,R-NET,10 KEY,LIGHTS,W/LCD COLOR DISPLAY & SWITCH JACKS,E-1111-001,(P&G:D51334)	1
E1 - F1	FRMASMB9532	JOYSTICK MOUNTING BRACKET,ASSY,GC/R2 CONTROLLER,INLINE	1
E1	SCRPPH1122	SCREW,PPH,BLACK ZINC,M5-.8 X 18MM	2
F1	FRMASMB9533	JOYSTICK MOUNTING BRACKET,ASSY,GC/R2,INLINE,W/CAPS	1

Joystick Knobs & Overlays

<p>A1 Soft Ball</p> 	<p>B1 I-Handle</p> 	<p>C1 T-bar</p> 	<p>D1 Ball</p> 				
<p>E1 Mushroom</p> 	<p>F1 Chin Cup</p> 	<p>G1 Remote Plus (Carrot)</p> 	<p>Goal Posts</p> <table border="1" data-bbox="1425 1066 1546 1171"> <tr> <td>H1</td> <td>3"</td> </tr> <tr> <td>I1</td> <td>4"</td> </tr> </table> 	H1	3"	I1	4"
H1	3"						
I1	4"						

Item	Part No.	Name	Qty
A1	ACCASMB1856	P&G JOYSTICK KNOB,ASSY,JAZZY,SOFT BALL	1
B1	ACCASMB1857	P&G JOYSTICK KNOB,ASSY,JAZZY,EXTENDED I-HANDLE	1
C1	ACCASMB1858	P&G JOYSTICK KNOB,ASSY,JAZZY,T BAR	1
D1	ACCASMB1859	P&G JOYSTICK KNOB,ASSY,JAZZY,BALL	1
E1	ACCASMB1860	P&G JOYSTICK KNOB,ASSY,JAZZY,MUSHROOM	1
F1	ACCASMB1861	P&G JOYSTICK KNOB,ASSY,JAZZY,CHIN CUP	1
G1	ACCASMB1862	P&G JOYSTICK KNOB,ASSY,JAZZY,REMOTE STANDARD	1
H1	PLSKNCP1057	JOYSTICK KNOB,3",GOAL POST,W/FLEX SHAFT,FOR 1/4" STEM,(BP: PC101B)	1
I1	PLSKNCP1058	JOYSTICK KNOB,4",GOAL POST,W/FLEX SHAFT,FOR 1/4" STEM,(BP: PC102B)	1

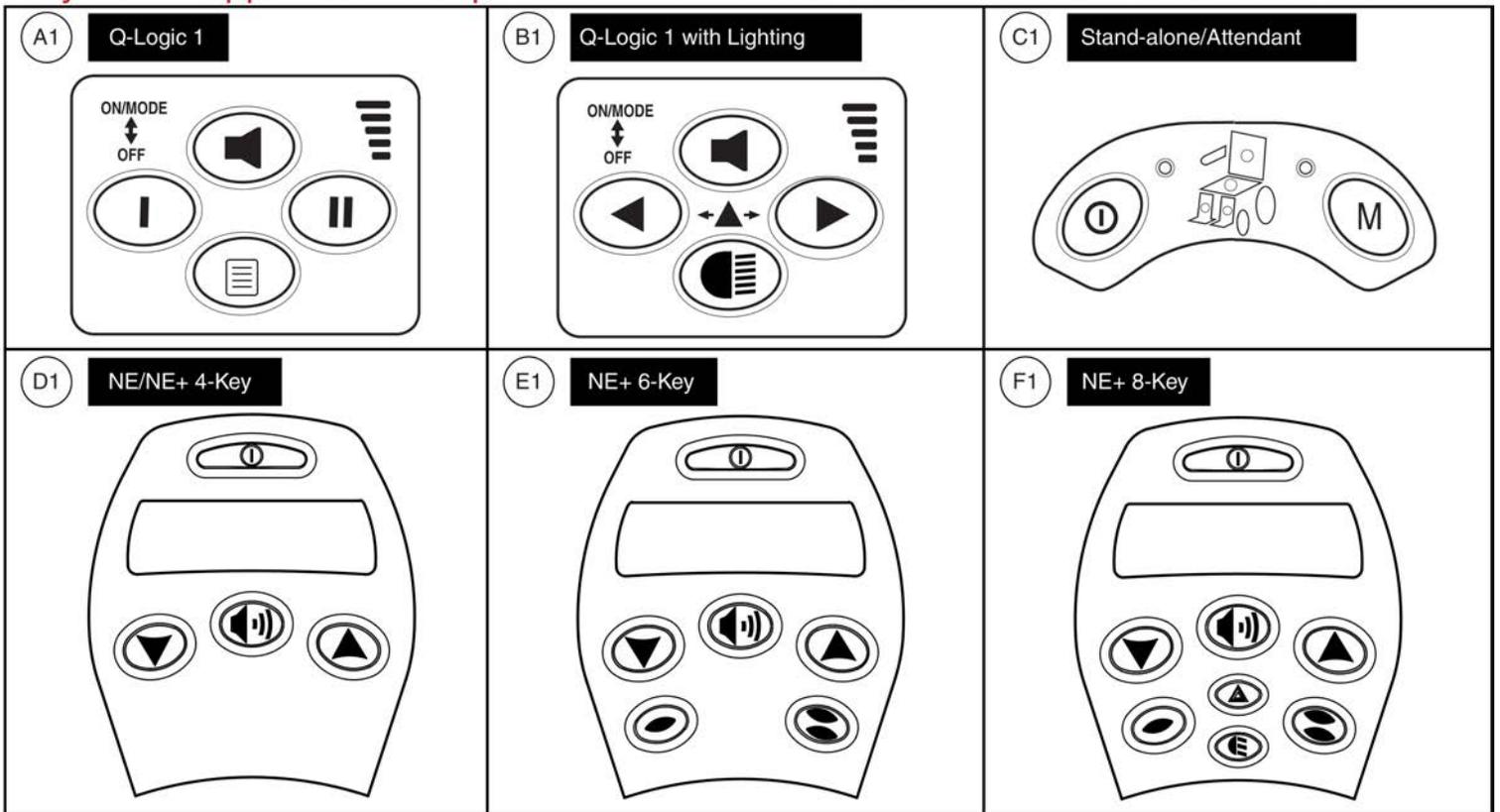
Joystick Knobs & Overlays



Item	Part No.	Name	Qty
A1	TECSERV1064	ELECTRONIC,REMOTE PLUS JOYSTICK,3 KEY TEMPLATE,(PGDT: 73903)	1
B1	RECPART1085	ELECTRONIC,KEYPAD,REMOTE PLUS,3 KEY,PROFILED,(PGDT: P76347)	1
C1	TECSERV1065	ELECTRONIC,REMOTE PLUS JOYSTICK,7 KEY TEMPLATE,(P&G: P73907)	1
D1	RECPART1071	ELECTRONIC,KEYPAD,VSI,4 KEY,(PGDT: 222-P75736)	1
E1	RECPART1061	ELECTRONIC,KEYPAD,VSI,6 KEY,(PGDT: 222-P75735)	1
F1	RECPART1066	ELECTRONIC,KEYPAD,VSI,6 KEY W/LIGHTS,(PGDT: 222-P76522)	1
G1	RECPART1067	ELECTRONIC,KEYPAD,VSI,3 KEY,REAR,(PGDT: 222-SA76710)	1
H1	RECPART1129	ELECTRONIC,KEYPAD,VR2 CONTROLLER,4 KEY,(PG: P77909)	1
I1	RECPART1130	ELECTRONIC,KEYPAD,VR2 CONTROLLER,6 KEY,(PG: P77910)	1
J1	DWR1111H199	ELECTRONIC,KEYPAD,GC CONTROLLER,2 KEY,H-1111-199,(PGDT: P78238)	1

Joystick Knobs & Overlays

Please note: Joystick selection varies by power base model. Replacement parts shown may not be applicable to all power bases. Contact Technical Service for more information.

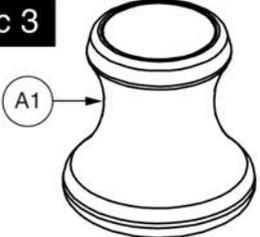
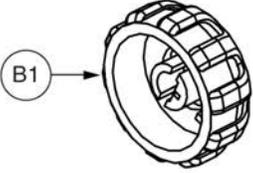
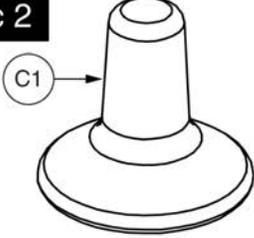
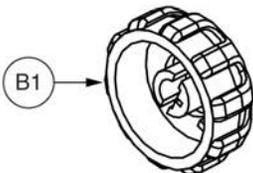
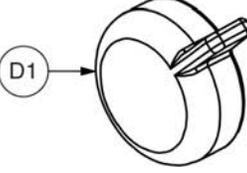
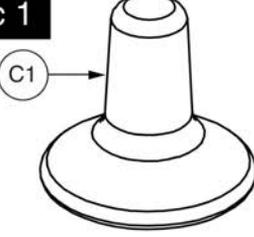
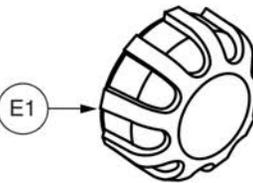


Item	Part No.	Name	Qty
A1	KITASMB1728	KIT,ASSY,Q-LOGIC CONTROLLER KEYPAD REPLACEMENT,W/INSTALLATION INSTRUCTIONS	1
B1	KITASMB1729	KIT,ASSY,Q-LOGIC CONTROLLER W/LIGHTS KEYPAD REPLACEMENT,W/INSTALLATION INSTRUCTIONS	1
C1	KITASMB1730	KIT,ASSY,Q-LOGIC STAND ALONE CONTROLLER KEYPAD REPLACEMENT,W/INSTALLATION INSTRUCTIONS	1
D1	KIT152913	KIT,ASSY,NE/NE PLUS CONTROLLER,4 KEY KEYPAD REPLACEMENT,W/INSTALLATION INSTRUCTIONS	1
E1	KIT152914	KIT,ASSY,NE/NE PLUS CONTROLLER,6 KEY KEYPAD REPLACEMENT,W/INSTALLATION INSTRUCTIONS	1
F1	KIT152915	KIT,ASSY,NE/NE PLUS CONTROLLER,8 KEY KEYPAD REPLACEMENT,W/INSTALLATION INSTRUCTIONS	1

Joystick Knobs & Overlays

Please note:

- Joystick selection varies by power base model. Replacement parts shown may not be applicable to all power bases.
- Serviceable components vary for each version of the Q-Logic Joystick and only the serviceable parts are shown for each.
- Contact Technical Service for more information.

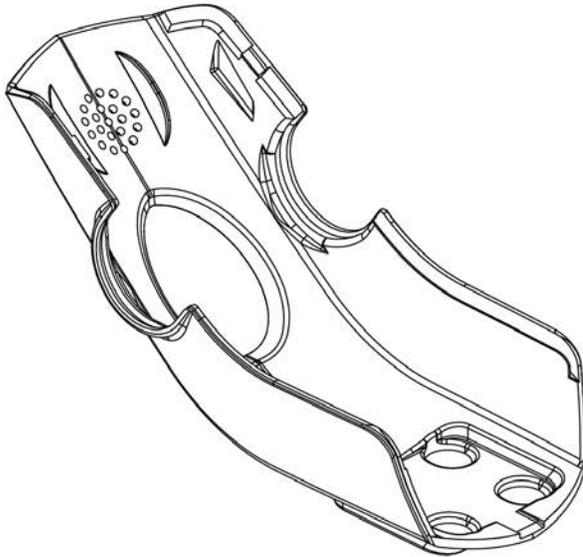
<p>Q-Logic 3</p>  <p>Joystick & Stand-alone/Attendant Gimble Knob</p>	 <p>Speed Knob</p>	
<p>Q-Logic 2</p>  <p>Joystick & Stand-alone/Attendant Gimble Knob</p>	 <p>Speed Knob</p>	 <p>On/Off/Mode Knob (NOT compatible with Q-Logic 1 or 3)</p>
<p>Q-Logic 1</p>  <p>Joystick & Stand-alone/Attendant Gimble Knob</p>	 <p>Speed Knob</p>	

Item	Part No.	Name	Qty
A1	DGN154742	JOYSTICK, KNOB, Q-LOGIC 3, 6.35MM-ID, (CURTIS: 17519114-01)	1
B1	DGN124309	SPEED WHEEL,KNOB,CURTIS Q-LOGIC 2,BLACK,PLASTIC,DGN124309,(CURTIS: 17949367-01)	1
C1	DGN124308	JOYSTICK,KNOB,CURTIS,STANDARD,6.35MM-ID,DGN124308,(CURTIS: 37381)	1
D1	KIT152919	KIT,ASSY,Q-LOGIC 2 CONTROLLER,ON/OFF/MODE TOGGLE REPLACEMENT,W/INSTALLATION INSTRUCTIONS	1
E1	PLSINDV1252	ELECTRONIC,KNOB,BLACK,PLASTIC,SPEED WHEEL,(CURTIS: 17856352-A)	1

Q-Logic 2 & 3 Joystick Shrouds

***Please Note:**

- The joystick shrouds are available in all the Quantum colors listed.
- Power base colors vary by model and some colors listed may not be available on all power bases. See the Quantum Color Reference Chart for color options.
- Some colors listed may have prolonged lead times.
- Contact Technical Service for more information.



Q-Logic 2 (Pre 2015)	
Ref#	Color Name
A1	Std., Soft Touch
A2	Black
A3	Silver
A4	Candy Apple Red
A5	Pearl Pink
A6	Sapphire Blue
A7	True Blue
A8	Viper Blue
A9	Emerald Green
A10	Orion Yellow
A11	Sunburst Orange

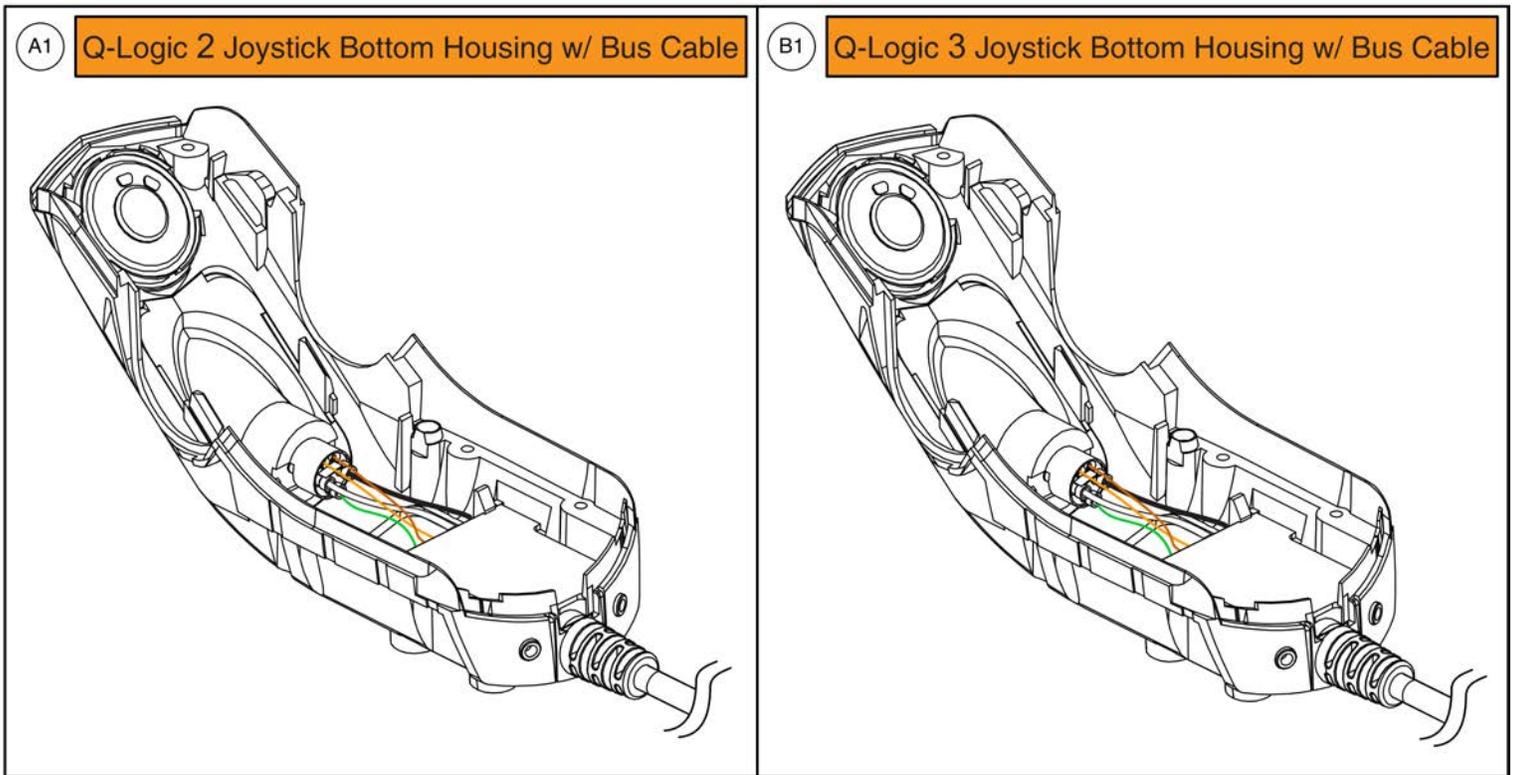
Q-Logic 2 (Post 2015) & Q-Logic 3	
Ref#	Color Name
B1	Std., Soft Touch
B2	Back in Black
B3	Night Train
B4	Grey Street
B5	Silver Bullet
B6	White Satin
B7	Red Corvette
B8	Cherry Bomb
B9	Pretty in Pink
B10	Raspberry Beret
B11	Sugar Plum
B12	Deep Purple
B13	Midnight Blue
B14	Electric Blue
B15	Blue Jean
B16	Green Machine
B17	Military Green
B18	Lime Light
B19	Yellow Blaze
B20	Lemon Crush
B21	Orange Crush
B22	Evolution Orange
B23	Carbon Fiber
B24	Digital Camo
B25	Faded Glory

Q-Logic 2 & 3 Joystick Shrouds



Item	Part No.	Name	Qty
A1	DGN124307	Q-LOGIC 2/3 JOYSTICK SHROUD,BLACK SOFT-TOUCH PAINT,(CURTIS: 17949365-02)	1
A2	DGN124336-PBK1	Q-LOGIC 2/3 JOYSTICK SHROUD,PPW-BLK-01 (BACK IN BLACK/BLACK)	1
A3	DGN124336-PSL1	Q-LOGIC 2/3 JOYSTICK SHROUD,PPW-SIL-01 (SILVER)	1
A4	DGN124336-PRD1	Q-LOGIC 2/3 JOYSTICK SHROUD,PPW-RED-01 (RED CORVETTE/CANDY APPLE RED)	1
A5	DGN124336-PPK1	Q-LOGIC 2/3 JOYSTICK SHROUD,PPW-PNK-01 (PEARL PINK)	1
A6	DGN124336-PPR4	Q-LOGIC 2/3 JOYSTICK SHROUD,PPW-PRP-04 (SAPPHIRE BLUE)	1
A7	DGN124336-PBU9	Q-LOGIC 2/3 JOYSTICK SHROUD,PPW-BLU-09 (ELECTRIC BLUE/TRUE BLUE)	1
A8	DGN124336-PBU1	Q-LOGIC 2/3 JOYSTICK SHROUD,PPW-BLU-01 (VIPER BLUE)	1
A9	DGN124336-PGN5	Q-LOGIC 2/3 JOYSTICK SHROUD,PPW-GRN-05 (EMERALD GREEN)	1
A10	DGN124336-PYL3	Q-LOGIC 2/3 JOYSTICK SHROUD,PPW-YEL-03 (YELLOW BLAZE/ORION YELLOW)	1
A11	DGN124336-POR4	Q-LOGIC 2/3 JOYSTICK SHROUD,PPW-ORN-04 (SUNBURST ORANGE)	1
B1	DGN124307	Q-LOGIC 2/3 JOYSTICK SHROUD,BLACK SOFT-TOUCH PAINT,(CURTIS: 17949365-02)	1
B2	DGN124336-PBK1	Q-LOGIC 2/3 JOYSTICK SHROUD,PPW-BLK-01 (BACK IN BLACK/BLACK)	1
B3	DGN124336-PBK3	Q-LOGIC 2/3 JOYSTICK SHROUD,PPW-BLK-03 (NIGHT TRAIN)	1
B4	DGN124336-PSL3	Q-LOGIC 2/3 JOYSTICK SHROUD,PPW-SIL-03 (GREY STREET)	1
B5	DGN124336-PSL7	Q-LOGIC 2/3 JOYSTICK SHROUD,PPW-SIL-07 (SILVER BULLET)	1
B6	DGN124336-PWH2	Q-LOGIC 2/3 JOYSTICK SHROUD,PPW-WHT-02 (WHITE SATIN)	1
B7	DGN124336-PRD1	Q-LOGIC 2/3 JOYSTICK SHROUD,PPW-RED-01 (RED CORVETTE/CANDY APPLE RED)	1
B8	DGN124336-PRD4	Q-LOGIC 2/3 JOYSTICK SHROUD,PPW-RED-04 (CHERRY BOMB)	1
B9	DGN124336-PPK3	Q-LOGIC 2/3 JOYSTICK SHROUD,PPW-PNK-03 (PRETTY IN PINK)	1
B10	DGN124336-PPK4	Q-LOGIC 2/3 JOYSTICK SHROUD,PPW-PNK-04 (RASPBERRY BERET)	1
B11	DGN124336-PPR7	Q-LOGIC 2/3 JOYSTICK SHROUD,PPW-PRP-07 (SUGAR PLUM)	1
B12	DGN124336-PPR5	Q-LOGIC 2/3 JOYSTICK SHROUD,PPW-PRP-05 (DEEP PURPLE)	1
B13	DGN124336-PBU10	Q-LOGIC 2/3 JOYSTICK SHROUD,PPW-BLU-10 (MIDNIGHT BLUE)	1
B14	DGN124336-PBU9	Q-LOGIC 2/3 JOYSTICK SHROUD,PPW-BLU-09 (ELECTRIC BLUE/TRUE BLUE)	1
B15	DGN124336-PBU11	Q-LOGIC 2/3 JOYSTICK SHROUD,PPW-BLU-11 (BLUE JEAN)	1
B16	DGN124336-PGN11	Q-LOGIC 2/3 JOYSTICK SHROUD,PPW-GRN-11 (GREEN MACHINE)	1
B17	DGN124336-PGN8	Q-LOGIC 2/3 JOYSTICK SHROUD,PPW-GRN-08 (MILITARY GREEN)	1
B18	DGN124336-PGN7	Q-LOGIC 2/3 JOYSTICK SHROUD,PPW-GRN-07 (LIME LIGHT)	1
B19	DGN124336-PYL3	Q-LOGIC 2/3 JOYSTICK SHROUD,PPW-YEL-03 (YELLOW BLAZE/ORION YELLOW)	1
B20	DGN124336-PYL4	Q-LOGIC 2/3 JOYSTICK SHROUD,PPW-YEL-04 (LEMON CRUSH)	1
B21	DGN124336-POR6	Q-LOGIC 2/3 JOYSTICK SHROUD,PPW-ORN-06 (ORANGE CRUSH)	1
B22	DGN124336-POR7	Q-LOGIC 2/3 JOYSTICK SHROUD,PPW-ORN-07 (EVOLUTION ORANGE)	1
B23	DGN124336-WCB1	Q-LOGIC 2/3 JOYSTICK SHROUD,PWT-CBN-01 (CARBON FIBER)	1
B24	DGN124336-WCM7	Q-LOGIC 2/3 JOYSTICK SHROUD,PWT-CMO-07 (MILITARY DIGITAL CAMO)	1
B25	DGN124336-WFL2	Q-LOGIC 2/3 JOYSTICK SHROUD,PWT-FLG-02 (FADED GLORY)	1

Joystick Bottom Housings



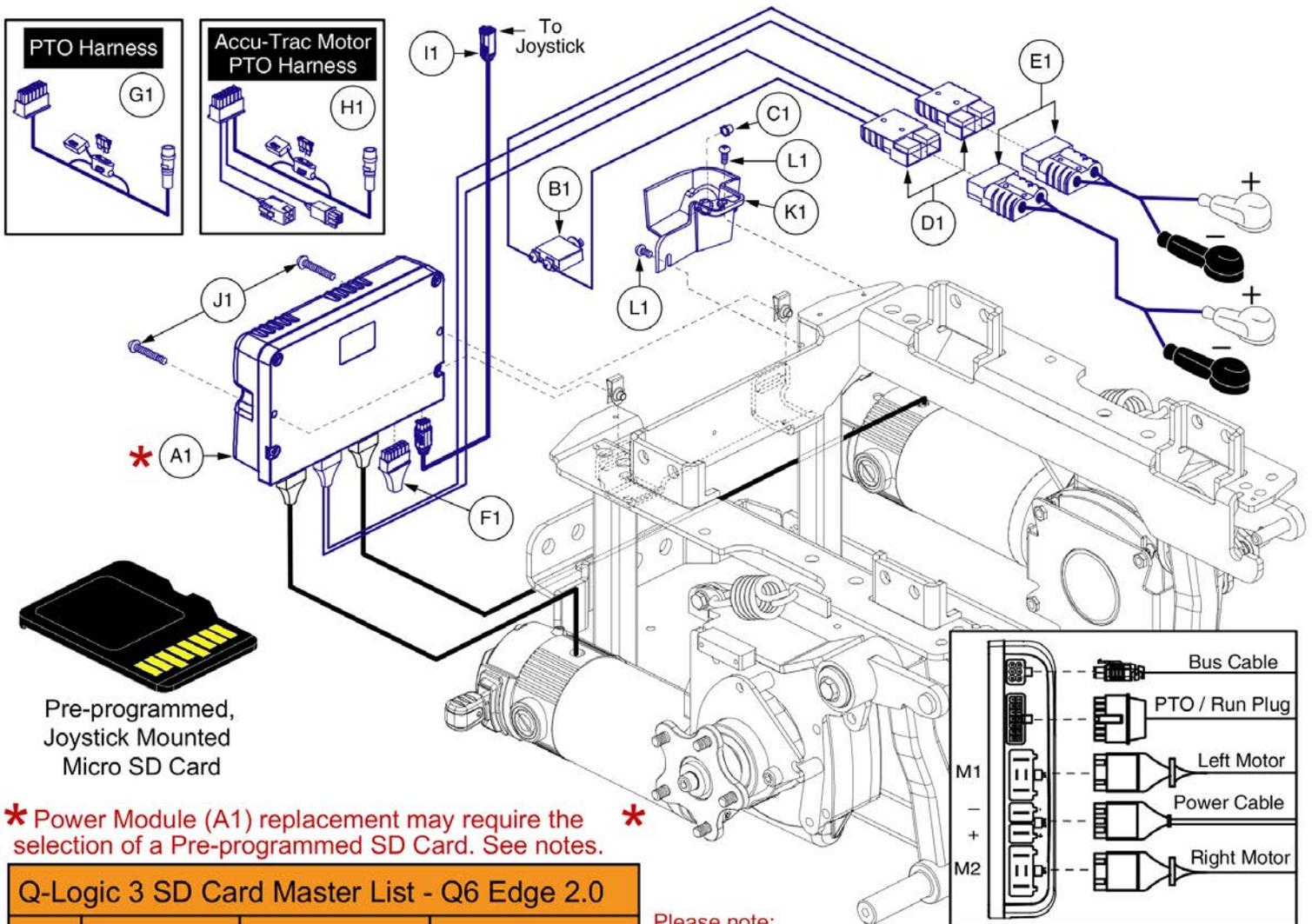
Item	Part No.	Name	Qty
A1	ELE124313	Q-LOGIC 2 BOTTOM HOUSING,JOYSTICK MODULE,W/BUS CABLE	1
B1	ELE144006	ELECTRONIC, BOTTOM HOUSING, JOYSTICK MODULE Q-LOGIC 3,W/ BUS CABLE Q-LOGIC 3, (CURTIS: 17949366-02)	1

6.1. Q-Logic 3 Electronics Assy's

Q-Logic 3 Base Electronics Matrix - 6 MPH Motors			
Ref#	Part Number	Seating Type	Lighting Type
A1	ELE1702570	Power Positioning	Base Mounted
B1	ELE1702571	Static/Captain's Seating w/Power Legs	Base Mounted
C1	ELE1702572	Static Seating	Base Mounted
D1	ELE1702573	Power Elevating Seat	Base Mounted
E1	ELE1702574	Power Positioning w/PTO	Fender
F1	ELE1705292	Tilt thru Toggle w/PTO	Fender
G1	ELE1702575	Static/Captain's Seating w/Power Legs, w/PTO	Fender
H1	ELE1702576	Static Seating w/PTO	Fender
I1	ELE1702577	Power Elevating Seat w/PTO	Fender
Q-Logic 3 Base Electronics Matrix - 6 MPH ACCU-TRAC Motors			
Ref#	Part Number	Seating Type	Lighting Type
J1	ELE1702578	Power Positioning	Base Mounted or Fender
K1	ELE1705305	Tilt thru Toggle	Base Mounted or Fender
L1	ELE1702579	Static/Captain's Seating w/Power Legs	Base Mounted or Fender
M1	ELE1702580	Static Seating	Base Mounted or Fender
N1	ELE1702581	Power Elevating Seat	Base Mounted or Fender
O1	ELE1808686	Power Positioning w/PTO & Run Plug	No Lights
P1	ELE1808687	Static/Captain's Seating w/Power Legs, w/PTO & Run Plug	No Lights
Q1	ELE1808688	Static Seating w/PTO & Run Plug	No Lights
R1	ELE1808689	Power Elevating Seat w/PTO & Run Plug	No Lights

Item	Part No.	Name	Qty
A1	ELE1702570	ELECTRONIC,ASSY,Q-LOGIC 3,6 MPH MOTORS,Q6 EDGE 2.0,POWER POSITIONING	1
B1	ELE1702571	ELECTRONIC,ASSY,Q-LOGIC 3,6 MPH MOTORS,Q6 EDGE 2.0,STATIC SEATING,W/POWER	1
C1	ELE1702572	ELECTRONIC,ASSY,Q-LOGIC 3,6 MPH MOTORS,Q6 EDGE 2.0,STATIC SEATING	1
D1	ELE1702573	ELECTRONIC,ASSY,Q-LOGIC 3,6 MPH MOTORS,Q6 EDGE 2.0,POWER ELEVATING SEAT	1
E1	ELE1702574	ELECTRONIC,ASSY,Q-LOGIC 3,6 MPH MOTORS,Q6 EDGE 2.0,POWER POSITIONING,W/PTO	1
F1	ELE1705292	ELECTRONIC,ASSY,Q-LOGIC 3,6 MPH MOTORS,Q6 EDGE 2.0,TILT THRU TOGGLE,W/PTO	1
G1	ELE1702575	ELECTRONIC,ASSY,Q-LOGIC 3,6 MPH MOTORS,Q6 EDGE 2.0,STATIC SEATING,W/POWER,W/PTO	1
H1	ELE1702576	ELECTRONIC,ASSY,Q-LOGIC 3,6 MPH MOTORS,Q6 EDGE 2.0,STATIC SEATING,W/PTO	1
I1	ELE1702577	ELECTRONIC,ASSY,Q-LOGIC 3,6 MPH MOTORS,Q6 EDGE 2.0,POWER ELEVATING SEAT,W/PTO	1
J1	ELE1702578	ELECTRONIC,ASSY,Q-LOGIC 3,6 MPH ACCU-TRAC MOTORS,Q6 EDGE 2.0,POWER POSITIONING	1
K1	ELE1705305	ELECTRONIC,ASSY,Q-LOGIC 3,6 MPH ACCU-TRAC MOTORS,Q6 EDGE 2.0,TILT THRU TOGGLE	1
L1	ELE1702579	ELECTRONIC,ASSY,Q-LOGIC 3,6 MPH ACCU-TRAC MOTORS,Q6 EDGE 2.0,STATIC SEATING,W/POWER	1
M1	ELE1702580	ELECTRONIC,ASSY,Q-LOGIC 3,6 MPH ACCU-TRAC MOTORS,Q6 EDGE 2.0,STATIC SEATING	1
N1	ELE1702581	ELECTRONIC,ASSY,Q-LOGIC 3,6 MPH ACCU-TRAC MOTORS,Q6 EDGE 2.0,POWER ELEVATING SEAT	1
O1	ELE1808686	ELECTRONIC,ASSY,Q-LOGIC 3,6 MPH ACCU-TRAC MOTORS,Q6 EDGE 2.0,POWER POSITIONING,W/PTO & SURE SEAL	1
P1	ELE1808687	ELECTRONIC,ASSY,Q-LOGIC 3,6 MPH ACCU-TRAC MOTORS,Q6 EDGE 2.0,STATIC SEATING,W/POWER,W/PTO & SURE SEAL	1
Q1	ELE1808688	ELECTRONIC,ASSY,Q-LOGIC 3,6 MPH ACCU-TRAC MOTORS,Q6 EDGE 2.0,STATIC SEATING,W/PTO & SURE SEAL	1
R1	ELE1808689	ELECTRONIC,ASSY,Q-LOGIC 3,6 MPH ACCU-TRAC MOTORS,Q6 EDGE 2.0,POWER ELEVATING SEAT,W/PTO & SURE SEAL	1

6.1. Q-Logic 3 Electronics Assy's



Pre-programmed, Joystick Mounted Micro SD Card

* Power Module (A1) replacement may require the selection of a Pre-programmed SD Card. See notes. *

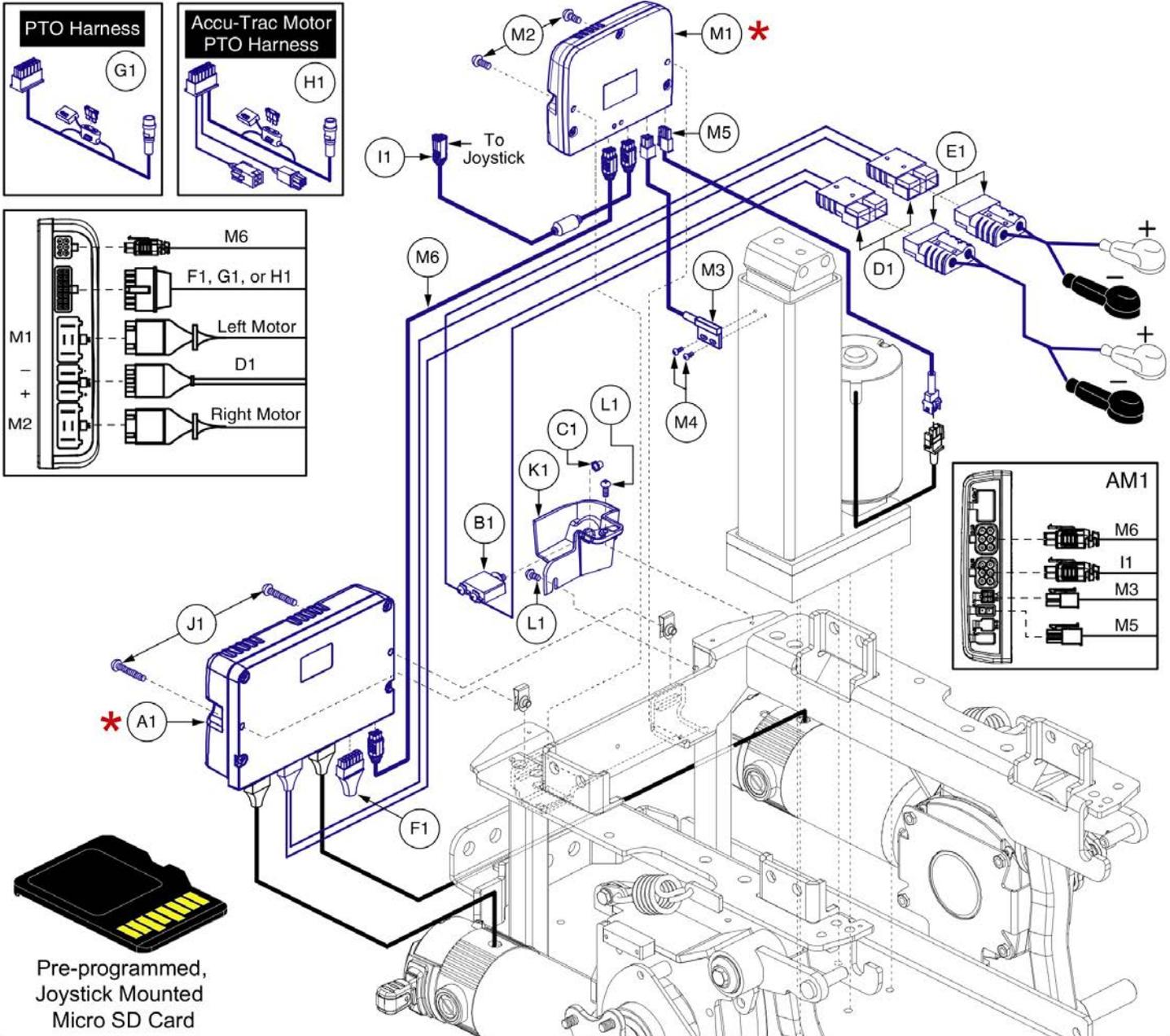
Q-Logic 3 SD Card Master List - Q6 Edge 2.0			
Ref#	Part Number	Motor	Options
M1	ELE1700789	6 mph	Power Positioning
N1	ELE1700824	6 mph	Static
O1	ELE1700826	6 mph, Accu Trac	Power Positioning
P1	ELE1700827	6 mph, Accu Trac	Static
Q1	ELE1700841	4 mph (UK Only)	Power Positioning
R1	ELE1700840	4 mph (UK Only)	Static

Please note:

- Pre-programmed, joystick mounted SD Cards are required when:
 - Retrofitting a unit in the field to Q-Logic 3 Electronics.
 - Replacing a Joystick, Power Base Module, or Seating Module prior to S/N JD815918001020 (6/8/18). A firmware upgrade occurred requiring a system update to enable the enhanced features.
 - Any circumstance where all of the electronics modules require replacement.
- The Q-Logic 3 system will reprogram the unit based upon the information loaded onto the SD card.
- The proper, programmed SD card must be selected to ensure the unit functions as intended.

Item	Part No.	Name	Qty
A1	CTL143978	POWER MODULE, Q-LOGIC 3,120 AMP, (CURTIS: 17930700-3509)	1
B1	ELE1705477	ELECTRONIC,ASSY,CIRCUIT BREAKER,70 AMP,COMPLETE,RIGHT ANGLE TERMINALS,PUSH TO RESET	1
C1	INDPART2420	BREAKER WEATHER CAP, SILICA GEL, W/ M11-1.0 NUT	1
D1	DWR1062H003	ELECTRONIC,HARNESS,POWER CABLE,Q6EDGE,Q-LOGIC,H-1062-003	1
E1	DWR1502H005	ELECTRONIC,ASSY,BATTERY CABLE,GRAY,W/125A/32V FUSEABLE LINK,QUICK DISCONNECT,H-1502-005	2
F1	DWR1265H027	ELECTRONIC,HARNESS,RUN PLUG,Q-LOGIC	1
G1	DWR1265H021	ELECTRONIC,HARNESS,POWER TAKE OFF(PTO)/INHIBIT,CURTIS,H-1265-021	1
H1	DWR1265H050	ELECTRONIC,MOTOR DECODER/POWER TAKE OFF(PTO)/INHIBIT,QLOGIC,H-1265-050	1
I1	HAR144005	HARNESS, BUS EXTENSION CABLE, Q-LOGIC 3, 0.410 METER,MALE/FEMALE, (CURTIS: 17881362-01-01)	1
J1	SCRPPH1390	SCREW,PPH,BLACK ZINC,M5-.8 X 35MM	2
K1	DWR1062D078	SHROUD,BREAKER MOUNT,BLACK,MOLDED ABS,D-1062-078	1
L1	SCRPPH1036	SCREW, PAN HEAD, TYPE H, M4X0.7 X 8, FT, ISO 7045, CL 4.8, BZ	2
M1	ELE1700789	SERVICABLE ASSEMBLY, SD CARD, Q-LOGIC 3, Q6EDGE 2, 6MPH LINIX MOTORS, POWER POSTIONING	1
N1	ELE1700824	SERVICABLE ASSEMBLY, SD CARD, Q-LOGIC 3, Q6EDGE 2, 6MPH LINIX MOTORS, STATIC SEATING	1
O1	ELE1700826	SERVICABLE ASSEMBLY, SD CARD, Q-LOGIC 3, Q6EDGE 2, 6MPH LINIX MOTORS ACCU TRAC, POWER POSITIONING	1
P1	ELE1700827	SERVICABLE ASSEMBLY, SD CARD, Q-LOGIC 3, Q6EDGE 2, 6MPH LINIX MOTORS ACCU TRAC, STATIC SEATING	1
Q1	ELE1700841	SERVICABLE ASSEMBLY, SD CARD, Q-LOGIC 3, Q6EDGE 2, UK 4MPH LINIX MOTORS, POWER POSITIONING	1
R1	ELE1700840	SERVICABLE ASSEMBLY, SD CARD, Q-LOGIC 3, Q6EDGE 2, UK 4MPH LINIX MOTORS, STATIC SEATING	1

6.1. Q-Logic 3 Electronics Assy's



*** Power Module (A1) or Seating Module (M1) replacement may require the selection of a Pre-programmed SD Card. See notes. ***

Q-Logic 3 SD Card Master List - Q6 Edge 2.0			
Ref#	Part Number	Motor	Options
N1	ELE1700789	6 mph	Power Positioning
O1	ELE1700826	6 mph, Accu Trac	Power Positioning
P1	ELE1700841	4 mph (UK Only)	Power Positioning

- Please note:
- Pre-programmed, joystick mounted SD Cards are required when:
 - Retrofitting a unit in the field to Q-Logic 3 Electronics.
 - Replacing a Joystick, Power Base Module, or Seating Module prior to S/N JD815918001020 (6/8/18). A firmware upgrade occurred requiring a system update to enable the enhanced features.
 - Any circumstance where all of the electronics modules require replacement.
 - The Q-Logic 3 system will reprogram the unit based upon the information loaded onto the SD card.
 - The proper, programmed SD card must be selected to ensure the unit functions as intended.

Item	Part No.	Name	Qty
A1	CTL143978	POWER MODULE, Q-LOGIC 3,120 AMP, (CURTIS: 17930700-3509)	1
B1	ELE1705477	ELECTRONIC,ASSY,CIRCUIT BREAKER,70 AMP,COMPLETE,RIGHT ANGLE TERMINALS,PUSH TO RESET	1
C1	INDPART2420	BREAKER WEATHER CAP, SILICA GEL, W/ M11-1.0 NUT	1
D1	DWR1062H003	ELECTRONIC,HARNESS,POWER CABLE,Q6EDGE,Q-LOGIC,H-1062-003	1
E1	DWR1502H005	ELECTRONIC,ASSY,BATTERY CABLE,GRAY,W/125A/32V FUSEABLE LINK,QUICK DISCONNECT,H-1502-005	2
F1	DWR1265H027	ELECTRONIC,HARNESS,RUN PLUG,Q-LOGIC	1
G1	DWR1265H021	ELECTRONIC,HARNESS,POWER TAKE OFF(PTO)/INHIBIT,CURTIS,H-1265-021	1
H1	DWR1265H050	ELECTRONIC,MOTOR DECODER/POWER TAKE OFF(PTO)/INHIBIT,QLOGIC,H-1265-050	1
I1	HAR144005	HARNESS, BUS EXTENSION CABLE, Q-LOGIC 3, 0.410 METER,MALE/FEMALE, (CURTIS: 17881362-01-01)	1
J1	SCRPPH1390	SCREW,PPH,BLACK ZINC,M5-.8 X 35MM	2
K1	DWR1062D078	SHROUD,BREAKER MOUNT,BLACK,MOLDED ABS,D-1062-078	1
L1	SCRPPH1036	SCREW, PAN HEAD, TYPE H, M4X0.7 X 8, FT, ISO 7045, CL 4.8, BZ	2
M1 - M6	ELE167720	ELECTRONIC,ASSY,CURTIS ACTUATOR MODULE & MOUNTING HARDWARE,Q6EDGE,POWERSEAT THRU JOYSTICK	1
M1	CTL143983	ACTUATOR MODULE, Q-LOGIC 3, AM1, 1 ACTUATOR, (CURTIS: 17963700-1009)	1
M2	SCRPPH1153	SCREW, PAN HEAD, TYPE H, M4X0.7 X 20, FT, ISO 7045, CL 4.8, BZ	2
M3	DWR1265H016	ELECTRONIC,HARNESS,POWER SEAT INHIBIT,CURTIS,TRUBALANCE TILT 2,H-1265-016	1
M4	SCRPPH1290	SCREW,PPH,BLACK ZINC,4-40 X 0.25"	2
M5	DWR1265H017	ELECTRONIC,HARNESS,POWER SEAT,TRU-BALANCE TILT 2,H-1265-017	1
M6	HAR143994	HARNESS, BUS EXTENSION CABLE, Q-LOGIC 3, 0.3 METER, FEMALE/FEMALE, (CURTIS: 17881361-01-02)	1
N1	ELE1700789	SERVICABLE ASSEMBLY, SD CARD, Q-LOGIC 3, Q6EDGE 2, 6MPH LINIX MOTORS, POWER POSTIONING	1
O1	ELE1700826	SERVICABLE ASSEMBLY, SD CARD, Q-LOGIC 3, Q6EDGE 2, 6MPH LINIX MOTORS ACCU TRAC, POWER POSITIONING	1
P1	ELE1700841	SERVICABLE ASSEMBLY, SD CARD, Q-LOGIC 3, Q6EDGE 2, UK 4MPH LINIX MOTORS, POWER POSITIONING	1

6.1. Q-Logic 3 Electronics Assy's

Q-Logic 3 SD Card Master List - Q6 Edge 2.0			
Ref#	Part Number	Motor Type	Options
A1	ELE1700789	6 mph Linix	Power Positioning
B1	ELE1700824	6 mph Linix	Static
C1	ELE1700826	6 mph Linix, Accu Trac	Power Positioning
D1	ELE1700827	6 mph Linix, Accu Trac	Static

Please note:

- Pre-programmed SD Cards are required when:
 - Replacing a Joystick, Power Base Module, or Seating Module. A firmware upgrade occurred requiring a system update to enable all of the enhanced features.
 - Any circumstance where all of the electronics modules require replacement.
- The Q-Logic 3 system will reprogram the unit based upon the information loaded onto the SD card.
- The proper, programmed SD card must be selected to ensure the unit functions as intended.



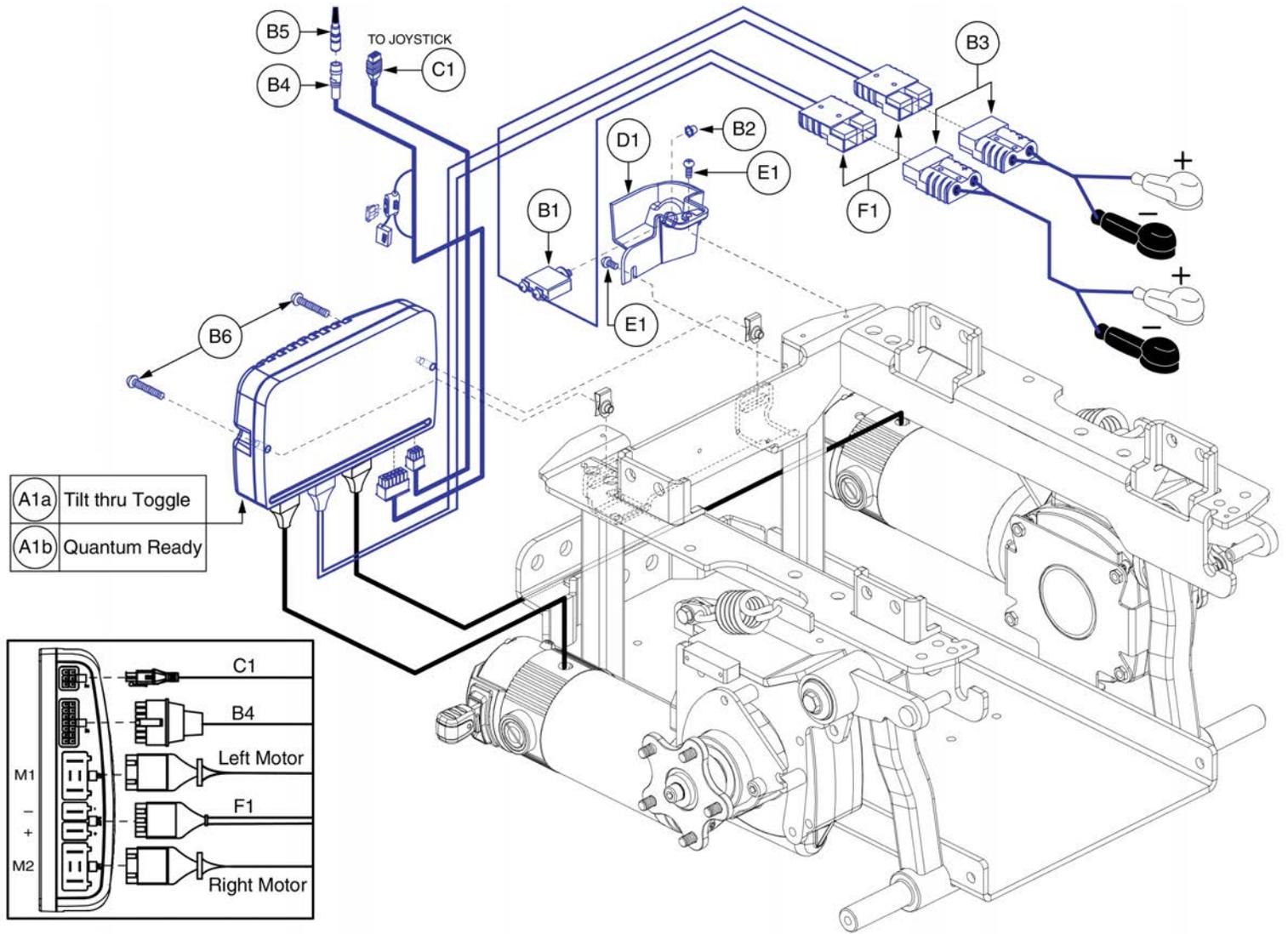
Pre-programmed
Micro SD Card

Q-Logic 3 SD Cards for Edge 2.0



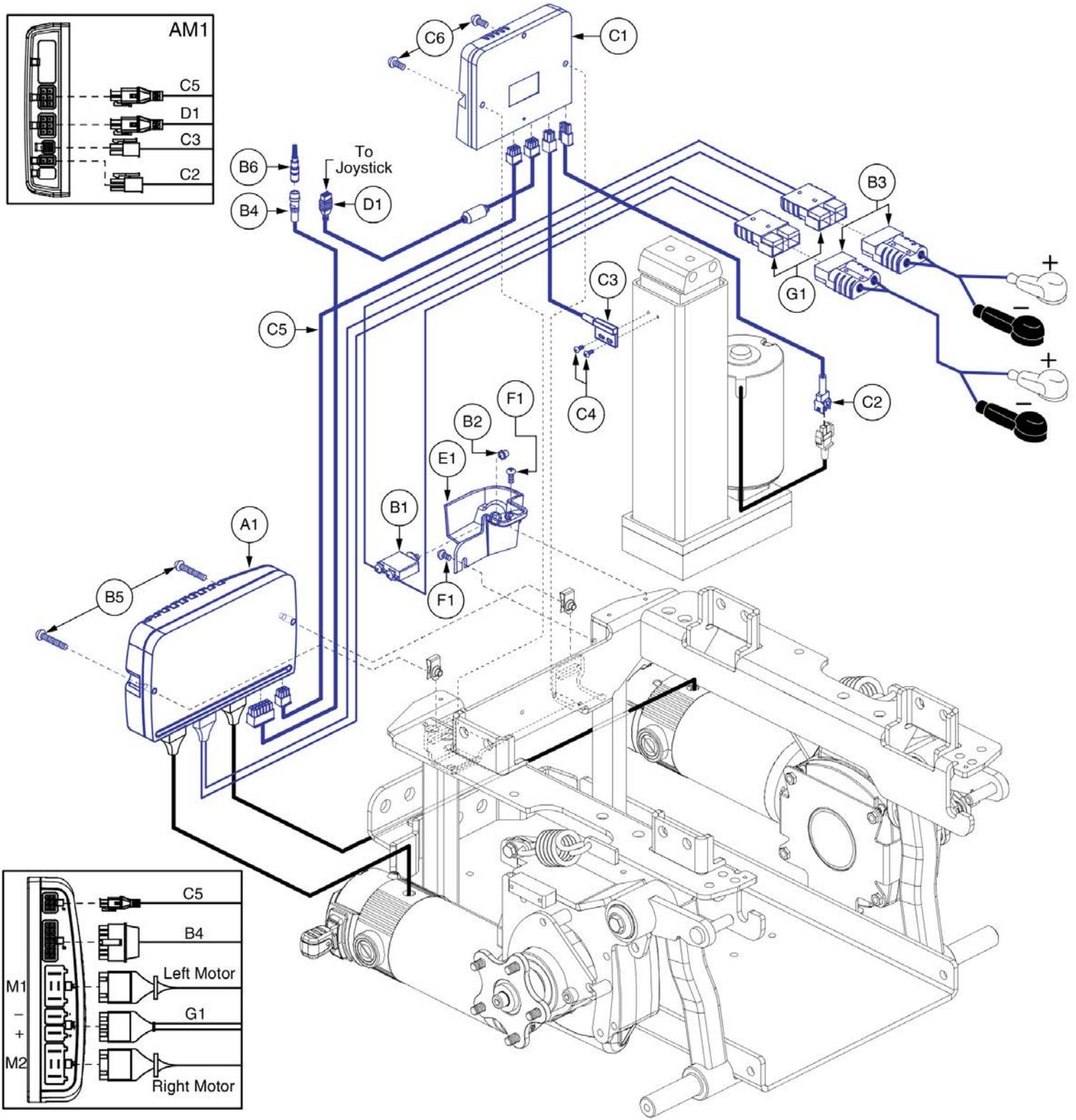
Item	Part No.	Name	Qty
A1	ELE1700789	SERVICABLE ASSEMBLY, SD CARD, Q-LOGIC 3, Q6EDGE 2, 6MPH LINIX MOTORS, POWER POSTIONING	1
B1	ELE1700824	SERVICABLE ASSEMBLY, SD CARD, Q-LOGIC 3, Q6EDGE 2, 6MPH LINIX MOTORS, STATIC SEATING	1
C1	ELE1700826	SERVICABLE ASSEMBLY, SD CARD, Q-LOGIC 3, Q6EDGE 2, 6MPH LINIX MOTORS ACCU TRAC, POWER POSITIONING	1
D1	ELE1700827	SERVICABLE ASSEMBLY, SD CARD, Q-LOGIC 3, Q6EDGE 2, 6MPH LINIX MOTORS ACCU TRAC, STATIC SEATING	1

6.2. Q-Logic 2 Electronics Assy's



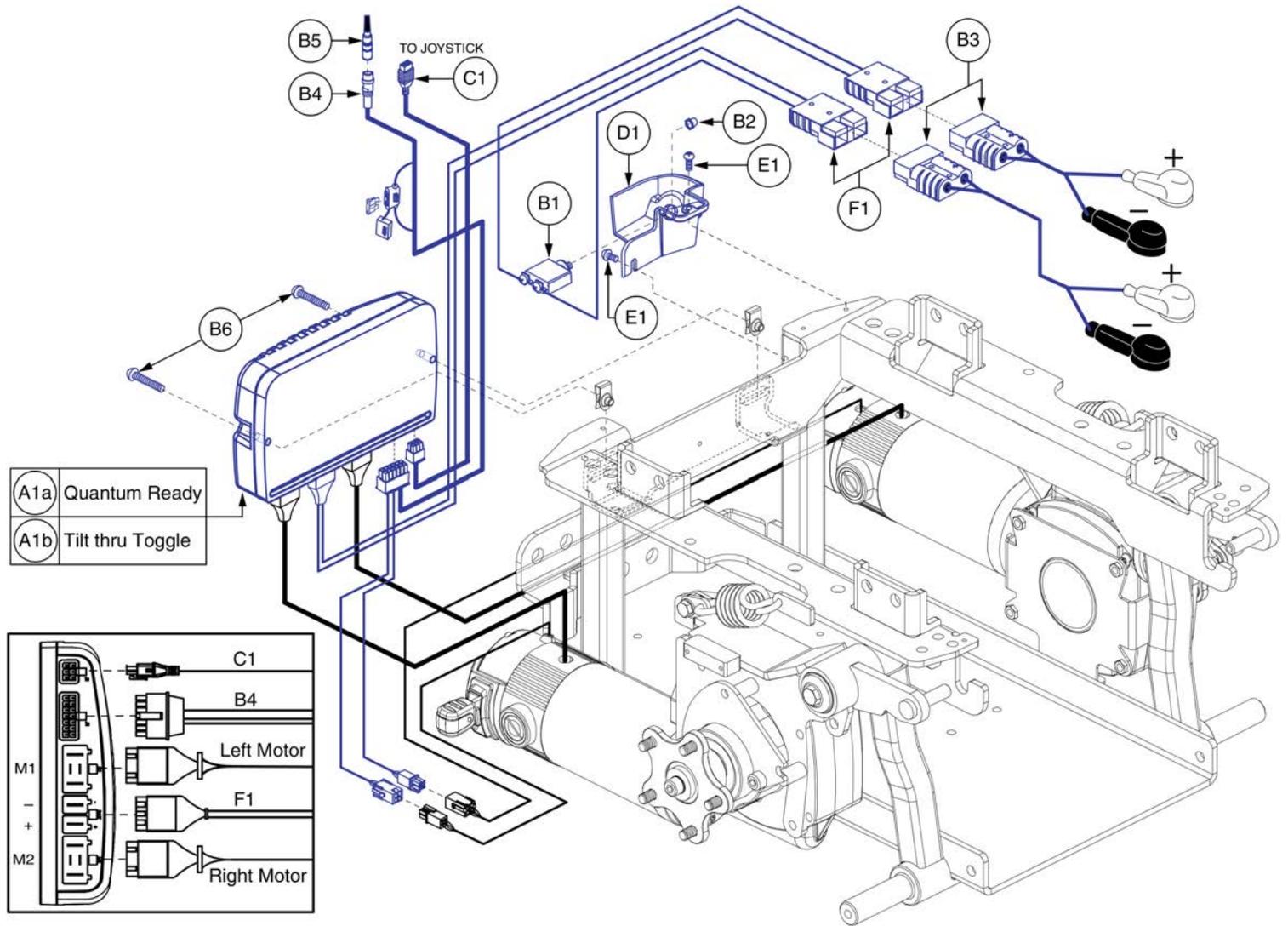
Item	Part No.	Name	Qty
A1a - B6	ELE147489	ELECTRONIC,ASSY,Q-LOGIC,CURTIS,LINIX,6 MPH,Q6 EDGE 2.0,TILT THRU TOGGLE	1
A1b - B6	ELE147490	ELECTRONIC,ASSY,Q-LOGIC,CURTIS,LINIX,6 MPH,Q6 EDGE 2.0,QUANTUM	1
A1a	CTL147480	CONTROLLER,Q-LOGIC,CURTIS,ASSY,90 AMP,W/LINIX,6 MPH PROGRAM,Q6EDGE 2.0	1
A1b	CTL147481	CONTROLLER,Q-LOGIC,CURTIS,ASSY,90 AMP,W/LINIX,6 MPH PROGRAM,Q6EDGE 2.0,QUANTUM	1
B1	ELE1705477	ELECTRONIC,ASSY,CIRCUIT BREAKER,70 AMP,COMPLETE,RIGHT ANGLE TERMINALS,PUSH TO RESET	1
B2	INDPART2420	BREAKER WEATHER CAP, SILICA GEL, W/ M11-1.0 NUT	1
B3	DWR1502H005	ELECTRONIC,ASSY,BATTERY CABLE,GRAY,W/125A/32V FUSEABLE LINK,QUICK DISCONNECT,H-1502-005	2
B4	DWR1265H021	ELECTRONIC,HARNESS,POWER TAKE OFF(PTO)/INHIBIT,CURTIS,H-1265-021	1
B5	DWR1361H038	ELECTRONIC,HARNESS,RUN PLUG,SURE SEAL,SYNERGY TILT,H-1361-038	1
B6	SCRPPH1390	SCREW,PPH,BLACK ZINC,M5-.8 X 35MM	2
C1	DWR1111H065	ELECTRONIC,HARNESS,BUS EXTENSION CABLE,CURTIS,0.410 METER,MALE/FEMALE,H-1111-065,(CURTIS: 17881303)	1
D1	DWR1062D078	SHROUD,BREAKER MOUNT,BLACK,MOLDED ABS,D-1062-078	1
E1	SCRPPH1036	SCREW, PAN HEAD, TYPE H, M4X0.7 X 8, FT, ISO 7045, CL 4.8, BZ	2
F1	ELE164224	ELECTRONIC,HARNESS,POWER CABLE,Q6EDGE,Q-LOGIC,H-1062-003,W/CABLE TIES	1

6.2. Q-Logic 2 Electronics Assy's



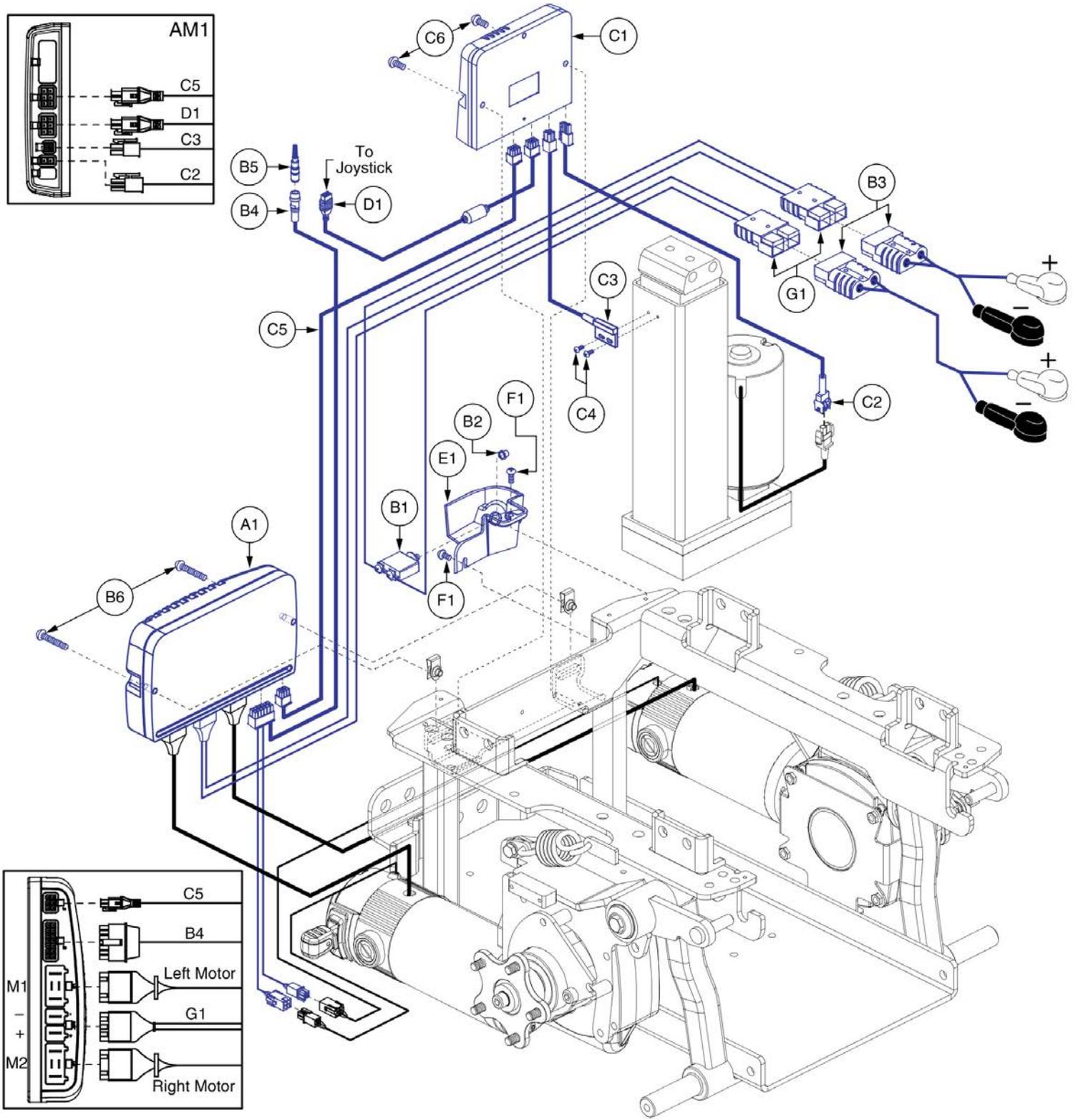
Item	Part No.	Name	Qty
A1 - C6	ELE147491	ELECTRONIC,ASSY,Q-LOGIC,CURTIS,LINIX,6 MPH,Q6 EDGE 2.0,POWERSEAT THRU JOYSTICK	1
A1	CTL147481	CONTROLLER,Q-LOGIC,CURTIS,ASSY,90 AMP,W/LINIX,6 MPH PROGRAM,Q6EDGE 2.0,QUANTUM	1
B1	ELE1705477	ELECTRONIC,ASSY,CIRCUIT BREAKER,70 AMP,COMPLETE,RIGHT ANGLE TERMINALS,PUSH TO RESET	1
B2	INDPART2420	BREAKER WEATHER CAP, SILICA GEL, W/ M11-1.0 NUT	1
B3	DWR1502H005	ELECTRONIC,ASSY,BATTERY CABLE,GRAY,W/125A/32V FUSEABLE LINK,QUICK DISCONNECT,H-1502-005	2
B4	DWR1265H021	ELECTRONIC,HARNESS,POWER TAKE OFF(PTO)/INHIBIT,CURTIS,H-1265-021	1
B5	SCRPPH1390	SCREW,PPH,BLACK ZINC,M5-8 X 35MM	2
B6	DWR1361H038	ELECTRONIC,HARNESS,RUN PLUG,SURE SEAL,SYNERGY TILT,H-1361-038	1
C1 - C6	ELEASMB7092	ELECTRONIC,ASSY,ACTUATOR MODULE & MOUNTING HARDWARE,QUANTUM623,POWERSEAT THRU JOYSTICK	1
C1	ELEASMB6557	AM1,LIFT ONLY,(CONFIG.#04)	1
C2	DWR1265H017	ELECTRONIC,HARNESS,POWER SEAT,TRU-BALANCE TILT 2,H-1265-017	1
C3	DWR1265H016	ELECTRONIC,HARNESS,POWER SEAT INHIBIT,CURTIS,TRUBALANCE TILT 2,H-1265-016	1
C4	SCRPPH1153	SCREW, PAN HEAD, TYPE H, M4X0.7 X 20, FT, ISO 7045, CL 4.8, BZ	2
C5	DWR1111H311	ELECTRONIC,HARNESS,BUS EXTENSION CABLE,AAM/LM	1
C6	SCRPPH1290	SCREW,PPH,BLACK ZINC,4-40 X 0.25"	2
D1	DWR1111H065	ELECTRONIC,HARNESS,BUS EXTENSION CABLE,CURTIS,0.410 METER,MALE/FEMALE,H-1111-065,(CURTIS: 17881303)	1
E1	DWR1062D078	SHROUD,BREAKER MOUNT,BLACK,MOLDED ABS,D-1062-078	1
F1	SCRPPH1036	SCREW, PAN HEAD, TYPE H, M4X0.7 X 8, FT, ISO 7045, CL 4.8, BZ	2
G1	ELE164224	ELECTRONIC,HARNESS,POWER CABLE,Q6EDGE,Q-LOGIC,H-1062-003,W/CABLE TIES	1

6.2. Q-Logic 2 Electronics Assy's



Item	Part No.	Name	Qty
A1a - B7	ELE147493	ELECTRONIC,ASSY,Q-LOGIC,CURTIS,6 MPH ACCU-TRAC,Q6 EDGE 2.0,QUANTUM	1
A1b - B7	ELE147492	ELECTRONIC,ASSY,Q-LOGIC,CURTIS,6 MPH ACCU-TRAC,Q6 EDGE 2.0,UNIVERSAL/TILT THRU TOGGLE	1
A1a	CTL147483	CONTROLLER,Q-LOGIC,CURTIS,ASSY,90 AMP,6 MPH ACCU-TRAC PROGRAM,Q6 EDGE 2,QUANTUM	1
A1b	CTL147482	CONTROLLER,Q-LOGIC,CURTIS,ASSY,90 AMP,6 MPH ACCU-TRAC PROGRAM,Q6 EDGE 2	1
B1	ELE1705477	ELECTRONIC,ASSY,CIRCUIT BREAKER,70 AMP,COMPLETE,RIGHT ANGLE TERMINALS,PUSH TO RESET	1
B2	INDPART2420	BREAKER WEATHER CAP, SILICA GEL, W/ M11-1.0 NUT	1
B3	DWR1502H005	ELECTRONIC,ASSY,BATTERY CABLE,GRAY,W/125A/32V FUSEABLE LINK,QUICK DISCONNECT,H-1502-005	2
B4	DWR1265H050	ELECTRONIC,MOTOR DECODER/POWER TAKE OFF(PTO)/INHIBIT,QLOGIC,H-1265-050	1
B5	DWR1361H038	ELECTRONIC,HARNESS,RUN PLUG,SURE SEAL,SYNERGY TILT,H-1361-038	1
B6	SCRPPH1390	SCREW,PPH,BLACK ZINC,M5-.8 X 35MM	2
C1	DWR1111H065	ELECTRONIC,HARNESS,BUS EXTENSION CABLE,CURTIS,0.410 METER,MALE/FEMALE,H-1111-065,(CURTIS: 17881303)	1
D1	DWR1062D078	SHROUD,BREAKER MOUNT,BLACK,MOLDED ABS,D-1062-078	1
E1	SCRPPH1036	SCREW, PAN HEAD, TYPE H, M4X0.7 X 8, FT, ISO 7045, CL 4.8, BZ	2
F1	ELE164224	ELECTRONIC,HARNESS,POWER CABLE,Q6EDGE,Q-LOGIC,H-1062-003,W/CABLE TIES	1

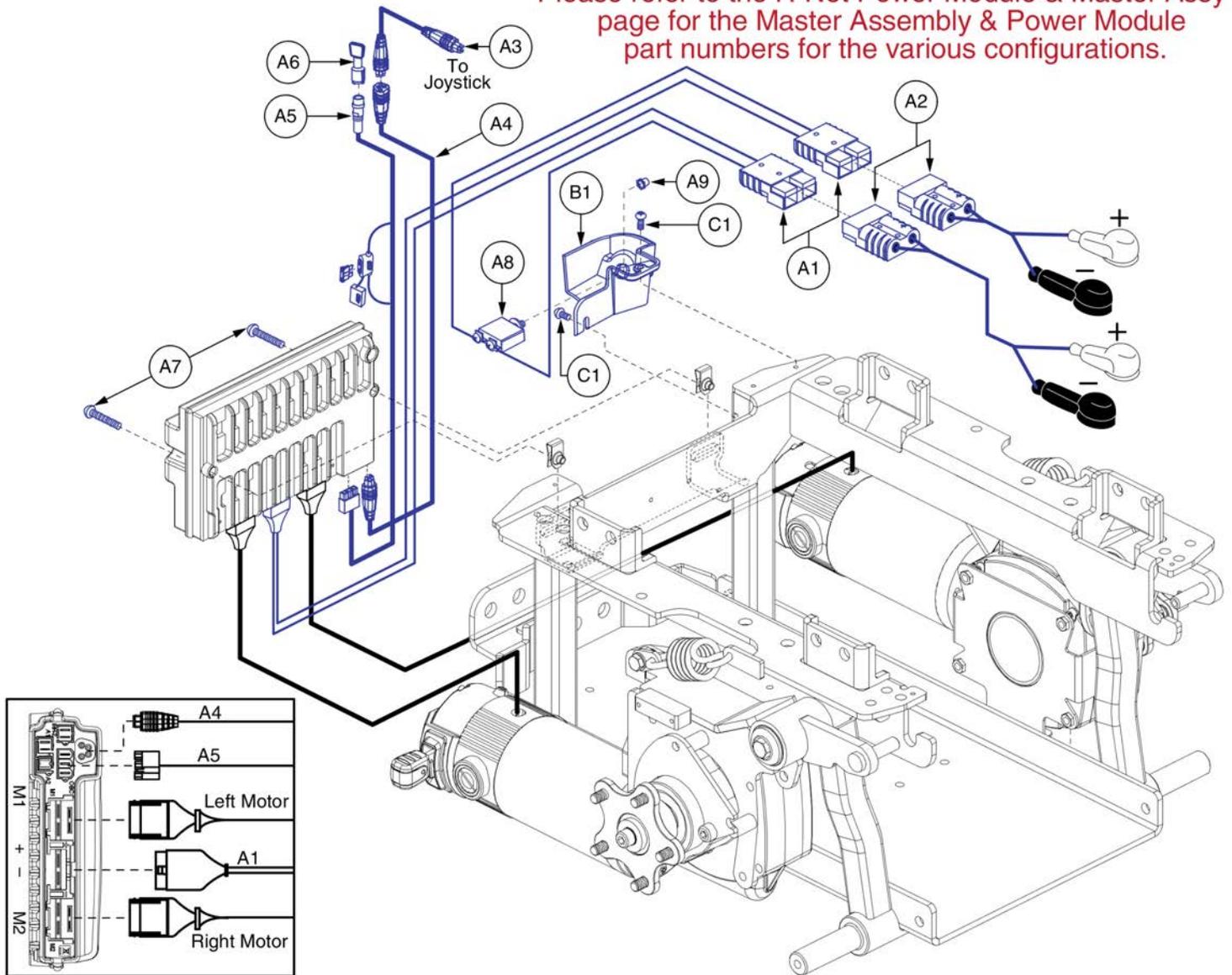
6.2. Q-Logic 2 Electronics Assy's



Item	Part No.	Name	Qty
A1 - B6	ELE147494	ELECTRONIC,ASSY,Q-LOGIC,CURTIS,SS1,6 MPH ACCU-TRAC,Q6 EDGE 2.0,POWERSEAT THRU JOYSTICK	1
A1	CTL147483	CONTROLLER,Q-LOGIC,CURTIS,ASSY,90 AMP,6 MPH ACCU-TRAC PROGRAM,Q6 EDGE 2,QUANTUM	1
B1	ELE1705477	ELECTRONIC,ASSY,CIRCUIT BREAKER,70 AMP,COMPLETE,RIGHT ANGLE TERMINALS,PUSH TO RESET	1
B2	INDPART2420	BREAKER WEATHER CAP, SILICA GEL, W/ M11-1.0 NUT	1
B3	DWR1502H005	ELECTRONIC,ASSY,BATTERY CABLE,GRAY,W/125A/32V FUSEABLE LINK,QUICK DISCONNECT,H-1502-005	2
B4	DWR1265H050	ELECTRONIC,MOTOR DECODER/POWER TAKE OFF(PTO)/INHIBIT,QLOGIC,H-1265-050	1
B5	DWR1361H038	ELECTRONIC,HARNESS,RUN PLUG,SURE SEAL,SYNERGY TILT,H-1361-038	1
B6	SCRPPH1390	SCREW,PPH,BLACK ZINC,M5-.8 X 35MM	2
C1 - C6	ELEASMB7092	ELECTRONIC,ASSY,ACTUATOR MODULE & MOUNTING HARDWARE,QUANTUM623,POWERSEAT THRU JOYSTICK	1
C1	ELEASMB6557	AM1,LIFT ONLY,(CONFIG.#04)	1
C2	DWR1265H017	ELECTRONIC,HARNESS,POWER SEAT,TRU-BALANCE TILT 2,H-1265-017	1
C3	DWR1265H016	ELECTRONIC,HARNESS,POWER SEAT INHIBIT,CURTIS,TRUBALANCE TILT 2,H-1265-016	1
C4	SCRPPH1290	SCREW,PPH,BLACK ZINC,4-40 X 0.25"	2
C5	DWR1111H311	ELECTRONIC,HARNESS,BUS EXTENSION CABLE,AAM/LM	1
C6	SCRPPH1153	SCREW, PAN HEAD, TYPE H, M4X0.7 X 20, FT, ISO 7045, CL 4.8, BZ	2
D1	DWR1111H065	ELECTRONIC,HARNESS,BUS EXTENSION CABLE,CURTIS,0.410 METER,MALE/FEMALE,H-1111-065,(CURTIS: 17881303)	1
E1	DWR1062D078	SHROUD,BREAKER MOUNT,BLACK,MOLDED ABS,D-1062-078	1
F1	SCRPPH1036	SCREW, PAN HEAD, TYPE H, M4X0.7 X 8, FT, ISO 7045, CL 4.8, BZ	2
G1	ELE164224	ELECTRONIC,HARNESS,POWER CABLE,Q6EDGE,Q-LOGIC,H-1062-003,W/CABLE TIES	1

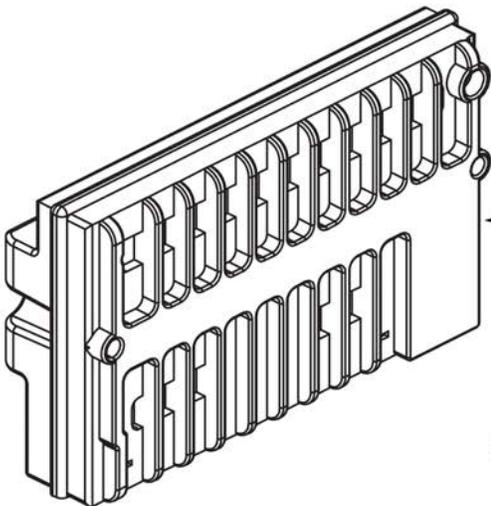
6.3. R-Net Electronics Assy's

Please refer to the R-Net Power Module & Master Assy's page for the Master Assembly & Power Module part numbers for the various configurations.



Item	Part No.	Name	Qty
A1	DWR1062H004	ELECTRONIC,HARNESS,POWER CABLE,Q6EDGE,R-NET,H-1062-004	1
A2	DWR1502H005	ELECTRONIC,ASSY,BATTERY CABLE,GRAY,W/125A/32V FUSEABLE LINK,QUICK DISCONNECT,H-1502-005	2
A3	DWR1111H567	ELECTRONIC,HARNESS,BUS CABLE,1.0 METER,MALE/MALE,R-NET	1
A4	DWR1111H566	ELECTRONIC,HARNESS,BUS CABLE,0.5 METER,MALE/FEMALE,R-NET,H-1111-566,(P&G: SA78640L05)	1
A5	DWR1265H030	ELECTRONIC,HARNESS,POWER TAKE OFF(PTO)/INHIBIT,VR2,H-1265-030	1
A6	DWR1361H038	ELECTRONIC,HARNESS,RUN PLUG,SURE SEAL,SYNERGY TILT,H-1361-038	1
A7	SCRPPH1390	SCREW,PPH,BLACK ZINC,M5- 8 X 35MM	2
A8	ELE1705477	ELECTRONIC,ASSY,CIRCUIT BREAKER,70 AMP,COMPLETE,RIGHT ANGLE TERMINALS,PUSH TO RESET	1
A9	INDPART2420	BREAKER WEATHER CAP, SILICA GEL, W/ M11-1.0 NUT	1
B1	DWR1062D078	SHROUD,BREAKER MOUNT,BLACK,MOLDED ABS,D-1062-078	1
C1	SCRPPH1036	SCREW, PAN HEAD, TYPE H, M4X0.7 X 8, FT, ISO 7045, CL 4.8, BZ	2

6.3. R-Net Electronics Assy's

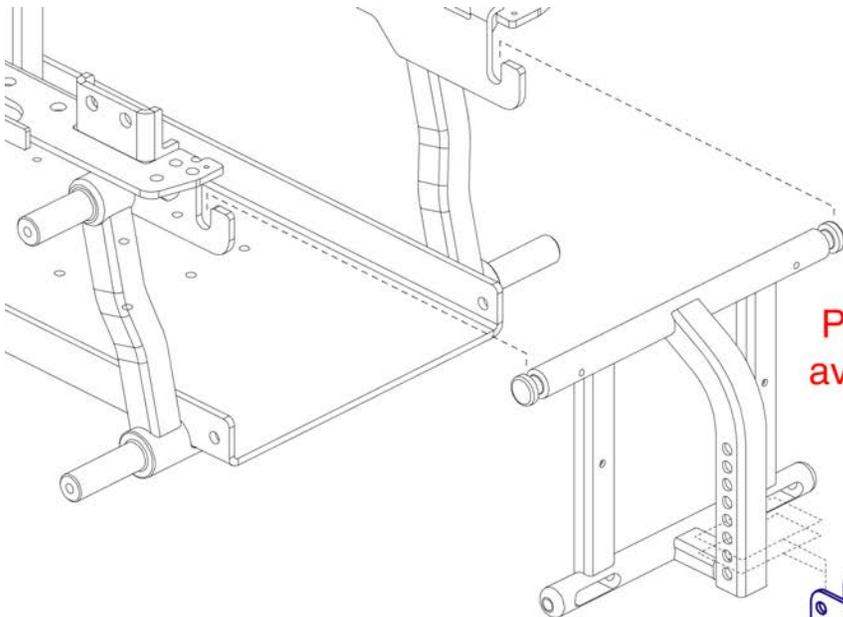


6 MPH Motor Option			
Controller Type	Master Assy	Power Module	Ref#
TB3 Power Tilt/Power Legs	ELE147804	CTL147798	A1
TB3 Power Recline	ELE147805	CTL147799	B1
TB3 Lift	ELE147806	CTL147800	C1
TB3 Lift & Power Options	ELE147807	CTL147801	D1
4 MPH Motor Option			
Power Tilt/Power Legs	ELE147808	CTL147802	E1
Power Recline	ELE147809	CTL147803	F1

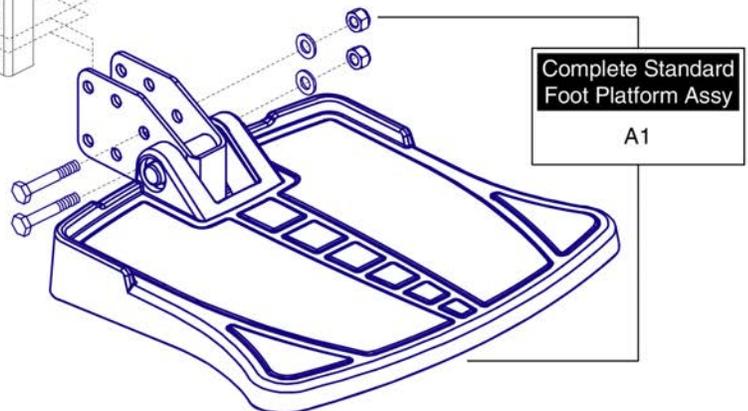
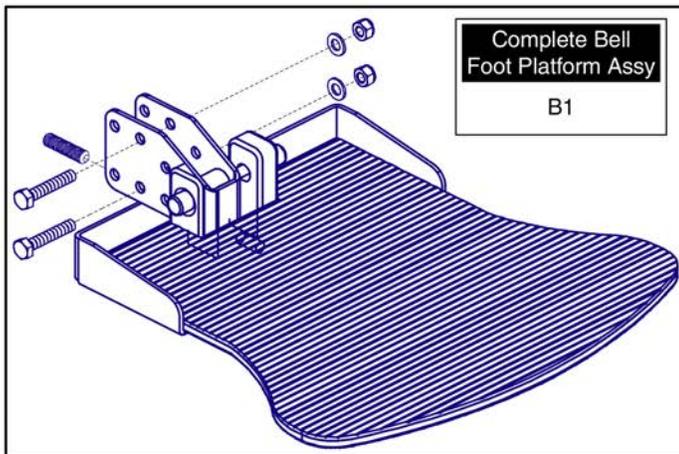
The master assemblies include the power module, harnesses, and mounting hardware for the various configurations.

Item	Part No.	Name	Qty
A1	CTL147798	CONTROLLER,R-NET,ASSY,80(90) AMP,W/LINIX,6 MPH PROGRAM,Q6EDGE 2.0,TB3 TILT	1
B1	CTL147799	CONTROLLER,R-NET,ASSY,80(90) AMP,W/LINIX,6 MPH PROGRAM,Q6EDGE 2.0,TB3 RECLINE	1
C1	CTL147800	CONTROLLER,R-NET,ASSY,80(90) AMP,W/LINIX,6 MPH PROGRAM,Q6EDGE 2.0,TB3 LIFT	1
D1	CTL147801	CONTROLLER,R-NET,ASSY,80(90) AMP,W/LINIX,6 MPH PROGRAM,Q6EDGE 2.0,TB3 LIFT/POWER OPTIONS	1
E1	CTL147802	CONTROLLER,R-NET,ASSY,80(90) AMP,W/LINIX,4 MPH PROGRAM,Q6EDGE 2.0,TB3 TILT	1
F1	CTL147803	CONTROLLER,R-NET,ASSY,80(90) AMP,W/LINIX,4 MPH PROGRAM,Q6EDGE 2.0,TB3 RECLINE	1

7. Foot Platform Assy



Please note: Individual parts are not available for purchase. The assembly must be selected.

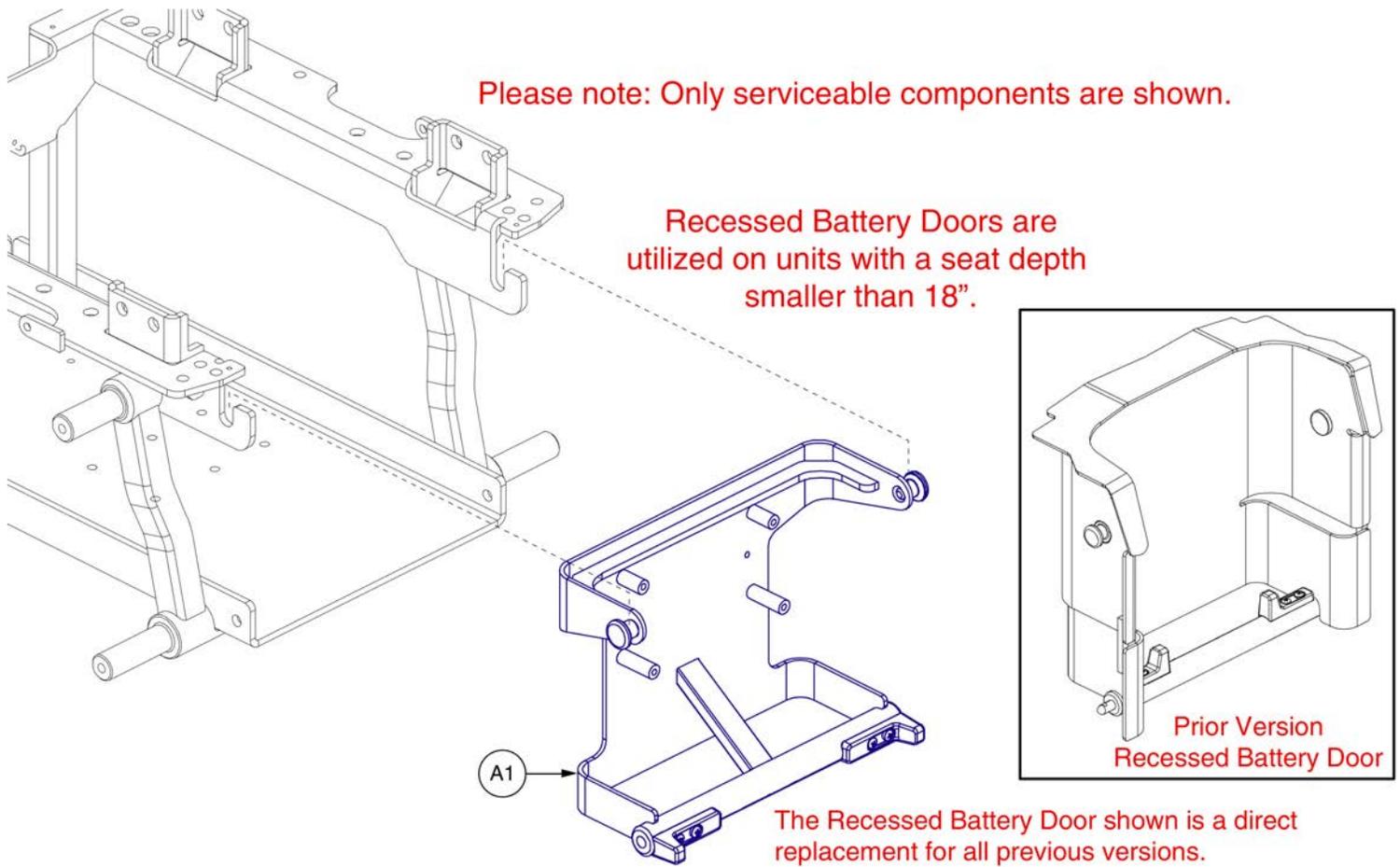


Foot Platform Assy's, Edge Series



Item	Part No.	Name	Qty
A1	FRMASMB16077	FOOT PLATFORM,ASSY,W/MOUNTING BRACKET,Q6 EDGE,D-1201-067	1
B1	RIGASMB7120041	FOOT PLATFORM,ASSY,BELL,W/MOUNTING BRACKET,RIGASMB7120041	1

8. Battery Access Brackets

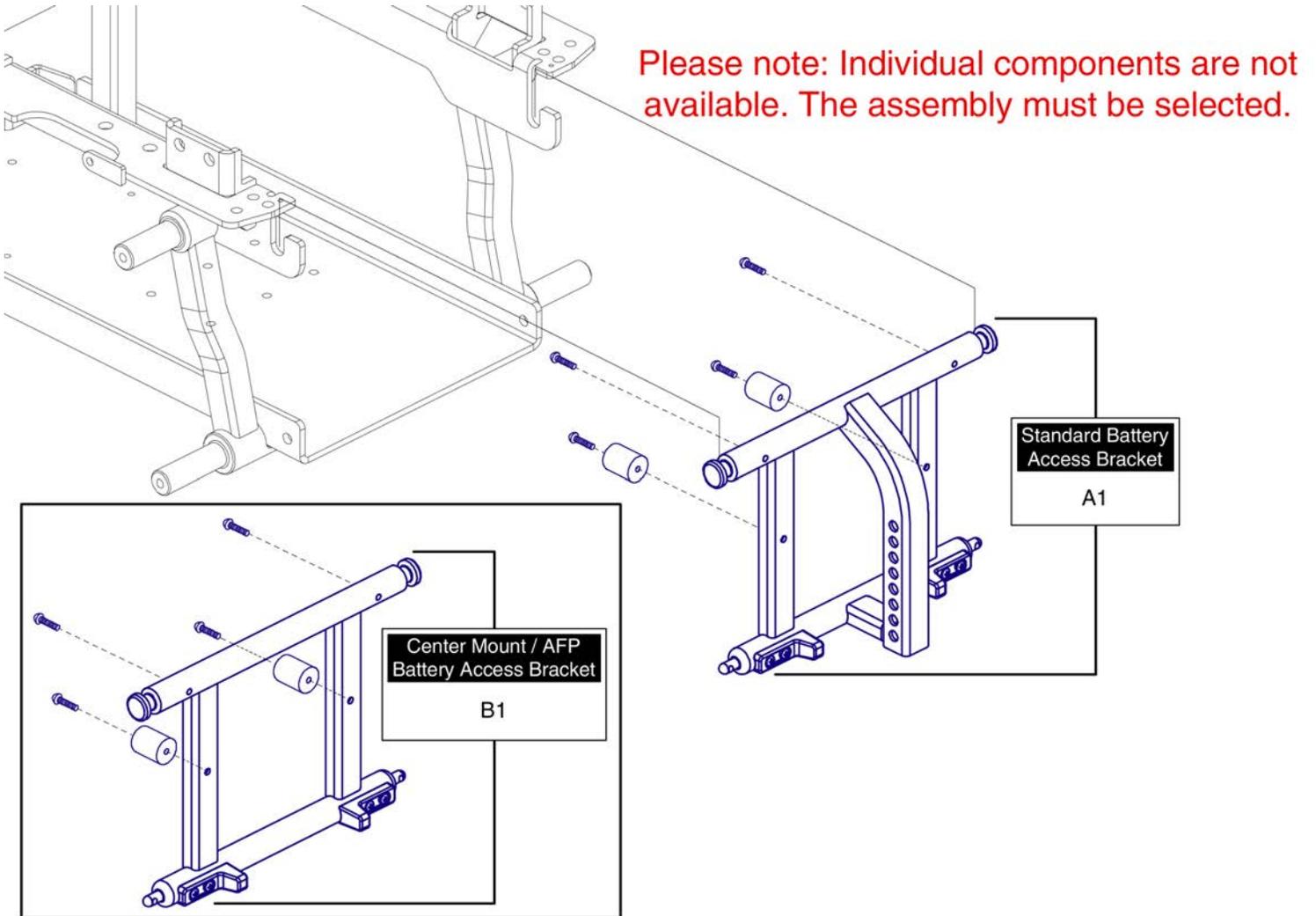


Recessed Battery Access Bracket Assy



Item	Part No.	Name	Qty
A1	MEC152612	FRAME,ASSY,RECESSED BATTERY DOOR	1

8. Battery Access Brackets



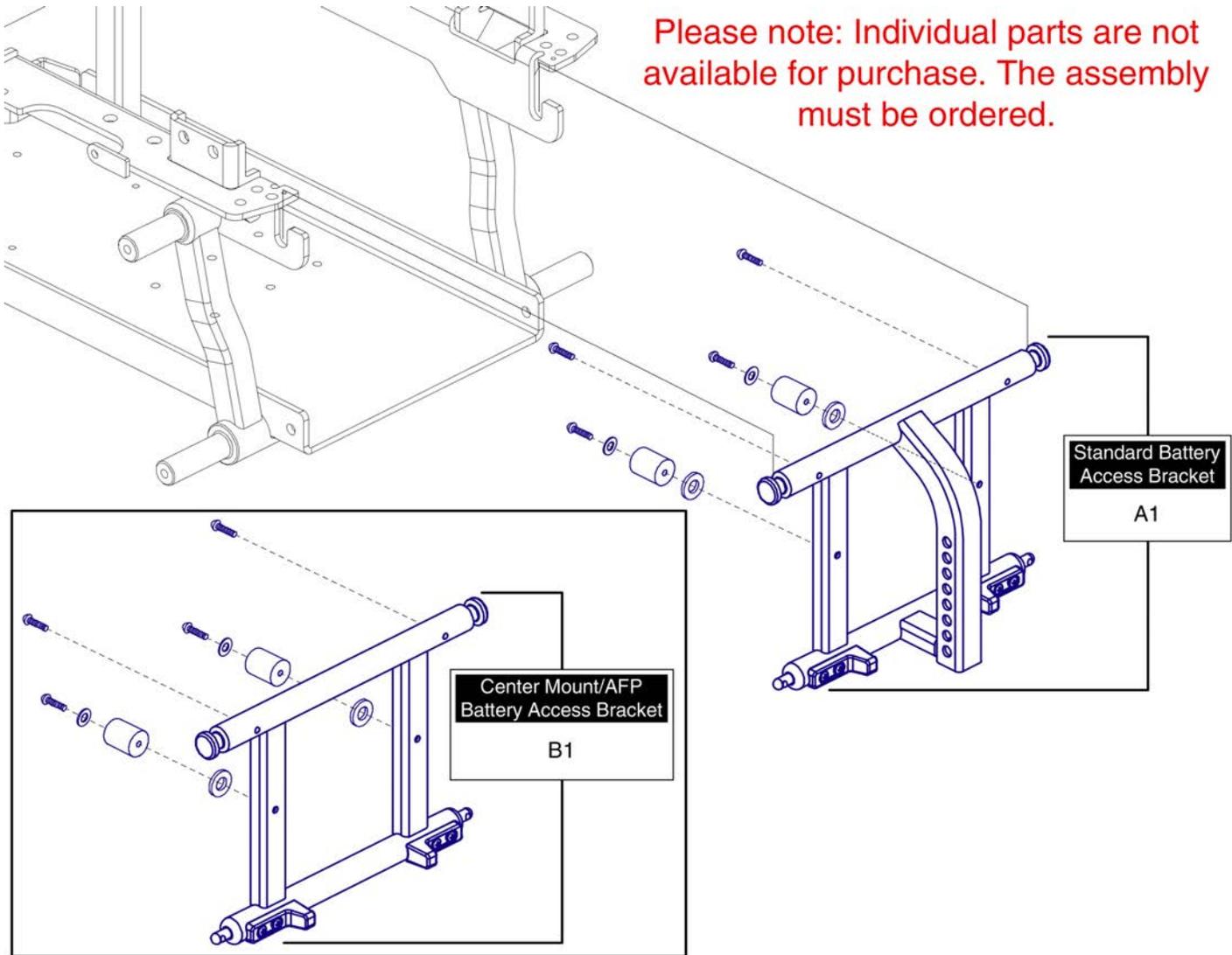
Standard Battery Access Bracket Assy's



Item	Part No.	Name	Qty
A1	FRMASMB16033	FRAME,ASSY,BATTERY ACCESS BRACKET,STANDARD,Q6 EDGE,C-1062-073	1
B1	MEC141305	FRAME,ASSY,BATTERY ACCESS BRACKET,HIGH MOUNT/AFP,Q6 EDGE 2.0	1

8. Battery Access Brackets

Please note: Individual parts are not available for purchase. The assembly must be ordered.



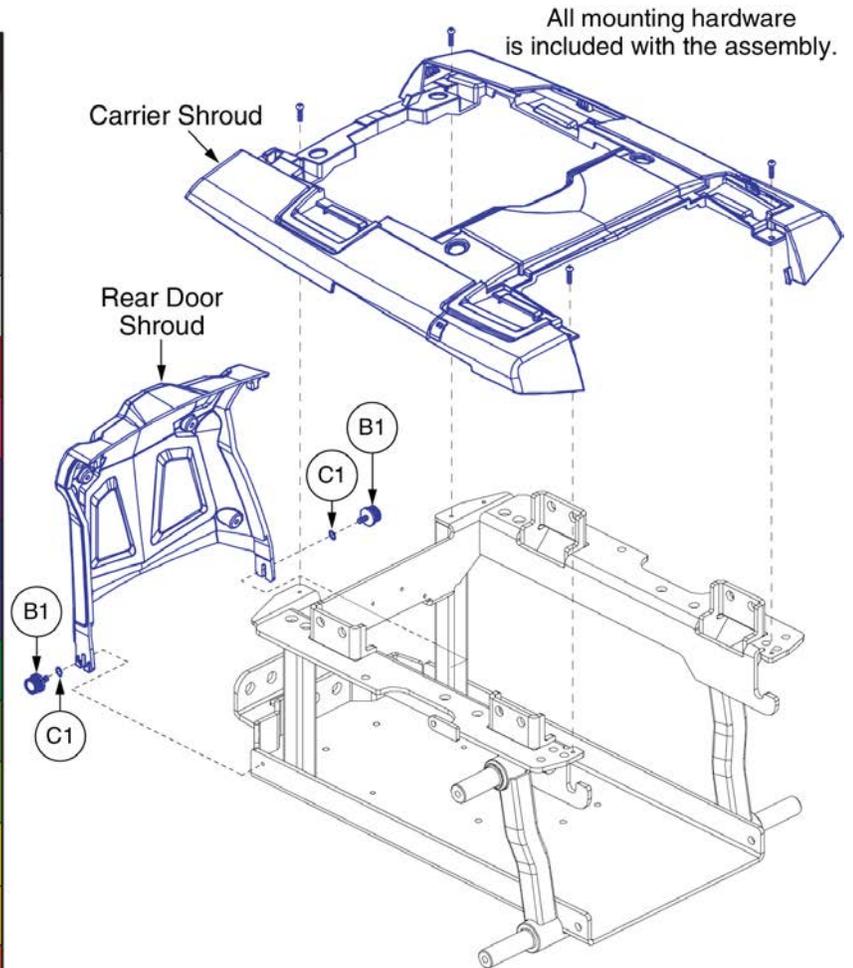
Item	Part No.	Name	Qty
A1	FRMASMB16559	FRAME,ASSY,BATTERY ACCESS BRACKET,STANDARD W/ELEVATE,Q6 EDGE,C-1062-075	1
B1	MEC141306	FRAME,ASSY,BATTERY ACCESS BRACKET,HIGH MOUNT/AFP W/ELEVATE,Q6 EDGE 2.0	1

9. Shroud Assy's

Rear Door & Carrier Shroud Assy's

Ref#	Color Name	Part Suffix	Color Code
A1a	Back in Black	PBK1	PPW-BLK-01
A1b	Night Train	PBK3	PPW-BLK-03
A1c	Grey Street	PSL3	PPW-SIL-03
A1d	Silver Bullet	PSL7	PPW-SIL-07
A1e	White Satin	PWT2	PPW-WHT-02
A1f	Red Corvette	PRD1	PPW-RED-01
A1g	Pretty in Pink	PPK3	PPW-PNK-03
A1h	Deep Purple	PPR5	PPW-PRP-05
A1i	Midnight Blue	PBU10	PPW-BLU-10
A1j	Electric Blue	PBU9	PPW-BLU-09
A1k	Green Machine	PGN11	PPW-GRN-11
A1l	Military Green	PGN8	PPW-GRN-08
A1m	Lime Light	PGN7	PPW-GRN-07
A1n	Yellow Blaze	PYL3	PPW-YEL-03
A1o	Lemon Crush	PYL4	PPW-YEL-04
A1p	Orange Crush	POR6	PPW-ORN-06
A1q	Evolution Orange	POR7	PPW-ORN-07
A1r	Carbon Fiber	WCB1	PWT-CBN-01
A1s	Digital Camo	WCM7	PWT-CMO-07
A1t	Faded Glory	WFL2	PWT-FLG-02

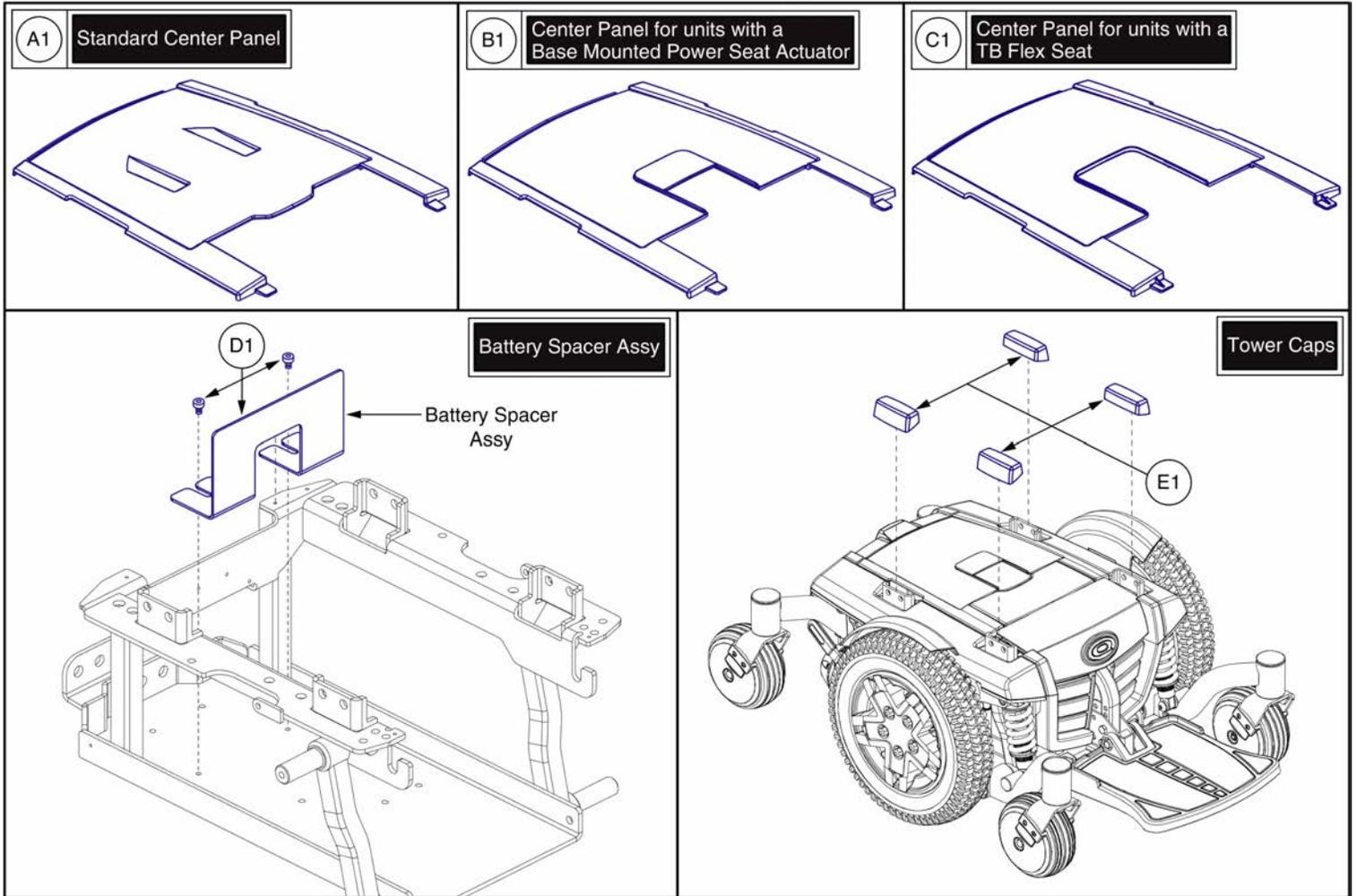
Please note: The Rear Door & Carrier Shrouds are only available as an assembly. The components are not available individually.



Item	Part No.	Name	Qty
A1a	DGN153201-PBK1	SHROUD,ASSY,BACK IN BLACK,Q6 EDGE 2.0	1
A1b	DGN153201-PBK3	SHROUD,ASSY,NIGHT TRAIN,Q6 EDGE 2.0	1
A1c	DGN153201-PSL3	SHROUD,ASSY,GREY STREET,Q6 EDGE 2.0	1
A1d	DGN153201-PSL7	SHROUD,ASSY,SILVER BULLET,Q6 EDGE 2.0	1
A1e	DGN153201-PWT2	SHROUD,ASSY,WHITE SATIN,Q6 EDGE 2.0	1
A1f	DGN153201-PRD1	SHROUD,ASSY,RED CORVETTE,Q6 EDGE 2.0	1
A1g	DGN153201-PPK3	SHROUD,ASSY,PRETTY IN PINK,Q6 EDGE 2.0	1
A1h	DGN153201-PPR5	SHROUD,ASSY,DEEP PURPLE,Q6 EDGE 2.0	1
A1i	DGN153201-PBU10	SHROUD,ASSY,MIDNIGHT BLUE,Q6 EDGE 2.0	1
A1j	DGN153201-PBU9	SHROUD,ASSY,ELECTRIC BLUE,Q6 EDGE 2.0	1
A1k	DGN153201-PGN11	SHROUD,ASSY,GREEN MACHINE,Q6 EDGE 2.0	1
A1l	DGN153201-PGN8	SHROUD,ASSY,MILITARY GREEN,Q6 EDGE 2.0	1
A1m	DGN153201-PGN7	SHROUD,ASSY,LIME LIGHT,Q6 EDGE 2.0	1
A1n	DGN153201-PYL3	SHROUD,ASSY,YELLOW BLAZE,Q6 EDGE 2.0	1
A1o	DGN153201-PYL4	SHROUD,ASSY,LEMON CRUSH,Q6 EDGE 2.0	1
A1p	DGN153201-POR6	SHROUD,ASSY,ORANGE CRUSH,Q6 EDGE 2.0	1
A1q	DGN153201-POR7	SHROUD,ASSY,EVOLUTION ORANGE,Q6 EDGE 2.0	1
A1r	DGN153201-WCB1	SHROUD,ASSY,CARBON FIBER,Q6 EDGE 2.0	1
A1s	DGN153201-WCM7	SHROUD,ASSY,MILITARY DIGITAL CAMO,Q6 EDGE 2.0	1
A1t	DGN153201-WFL2	SHROUD,ASSY,FADED GLORY,Q6 EDGE 2.0	1
B1	PLSKNCP1056	KNOB,PLASTIC,M4-.7 X 12MM,KNURLED HEAD,TALL,C-1060-041	2
C1	WASNEOP1003	WASHER,BLACK,NEOPRENE,3.20MM ID X 7.00MM OD X 1.90MM TH,O-RING	2
D1	LAB142829	DECAL,NAME,EDGE 2.0	2

9. Shroud Assy's

Please note: Only serviceable components are shown.



Center Panel Shrouds and Battery Spacer

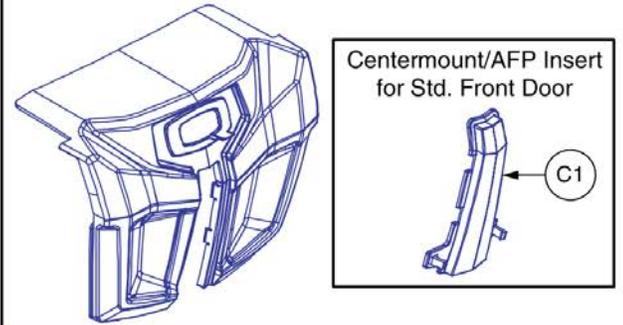


Item	Part No.	Name	Qty
A1	SHDASMB6043	SHROUD,ASSY,CENTER PANEL,STANDARD,Q6 EDGE	1
B1	SHDASMB6044	SHROUD,ASSY,CENTER PANEL,POWER SEAT,Q6 EDGE	1
C1	SHDASMB6045	SHROUD,ASSY,CENTER PANEL,EUROSEAT2,Q6 EDGE	1
D1	MEC154025	SHROUD,ASSY,BATTERY SPACER,METAL,Q6 EDGE	1
E1	DWR1062D096	COVER,TOWER CAP,Q6EDGE,D-1062-096	4

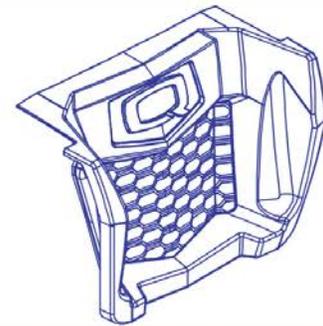
9. Shroud Assy's

Front Door Shroud Assy's				
Standard	Recessed	Color Name	Part Suffix	Color Code
A1a	B1a	Back in Black	PBK1	PPW-BLK-01
A1b	B1b	Night Train	PBK3	PPW-BLK-03
A1c	B1c	Grey Street	PSL3	PPW-SIL-03
A1d	B1d	Silver Bullet	PSL7	PPW-SIL-07
A1e	B1e	White Satin	PWT2	PPW-WHT-02
A1f	B1f	Red Corvette	PRD1	PPW-RED-01
A1g	B1g	Pretty in Pink	PPK3	PPW-PNK-03
A1h	B1h	Deep Purple	PPR5	PPW-PRP-05
A1i	B1i	Midnight Blue	PBU10	PPW-BLU-10
A1j	B1j	Electric Blue	PBU9	PPW-BLU-09
A1k	B1k	Green Machine	PGN11	PPW-GRN-11
A1l	B1l	Military Green	PGN8	PPW-GRN-08
A1m	B1m	Lime Light	PGN7	PPW-GRN-07
A1n	B1n	Yellow Blaze	PYL3	PPW-YEL-03
A1o	B1o	Lemon Crush	PYL4	PPW-YEL-04
A1p	B1p	Orange Crush	POR6	PPW-ORN-06
A1q	B1q	Evolution Orange	POR7	PPW-ORN-07
A1r	B1r	Carbon Fiber	WCB1	PWT-CBN-01
A1s	B1s	Digital Camo	WCM7	PWT-CMO-07
A1t	B1t	Faded Glory	WFL2	PWT-FLG-02

Standard Front Door Shroud - A1's

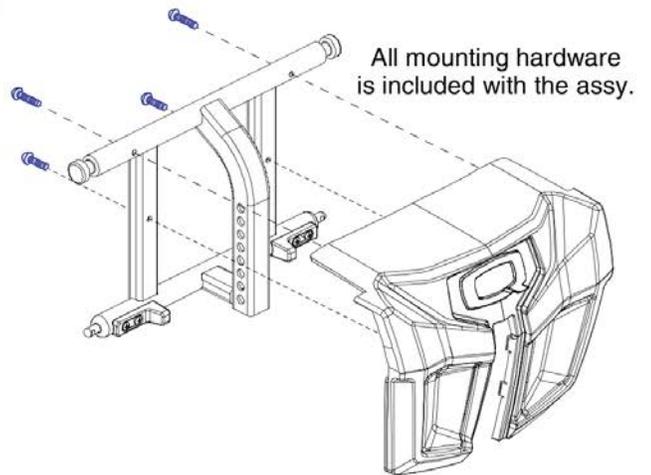


Recessed Front Door Shroud - B1's



Decals

Decal	Part #	Ref #
Max. Weight Capacity	DWR1234L004	D1
Read Owner's Manual	LAB148325	D2
Battery Warning	DWR1235L515	D3
Battery Connection	DWR1235L678	D4

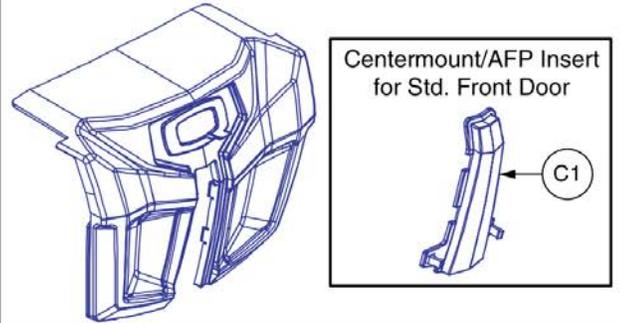


Item	Part No.	Name	Qty
A1a	DGN152585-PBK1	SHROUD,ASSY,STANDARD FRONT DOOR,BACK IN BLACK	1
A1b	DGN152585-PBK3	SHROUD,ASSY,STANDARD FRONT DOOR,NIGHT TRAIN	1
A1c	DGN152585-PSL3	SHROUD,ASSY,STANDARD FRONT DOOR,GREY STREET	1
A1d	DGN152585-PSL7	SHROUD,ASSY,STANDARD FRONT DOOR,SILVER BULLET	1
A1e	DGN152585-PWT2	SHROUD,ASSY,STANDARD FRONT DOOR,WHITE SATIN	1
A1f	DGN152585-PRD1	SHROUD,ASSY,STANDARD FRONT DOOR,RED CORVETTE	1
A1g	DGN152585-PPK3	SHROUD,ASSY,STANDARD FRONT DOOR,PRETTY IN PINK	1
A1h	DGN152585-PPR5	SHROUD,ASSY,STANDARD FRONT DOOR,DEEP PURPLE	1
A1i	DGN152585-PBU10	SHROUD,ASSY,STANDARD FRONT DOOR,MIDNIGHT BLUE	1
A1j	DGN152585-PBU9	SHROUD,ASSY,STANDARD FRONT DOOR,ELECTRIC BLUE	1
A1k	DGN152585-PGN11	SHROUD,ASSY,STANDARD FRONT DOOR,GREEN MACHINE	1
A1l	DGN152585-PGN8	SHROUD,ASSY,STANDARD FRONT DOOR,MILITARY GREEN	1
A1m	DGN152585-PGN7	SHROUD,ASSY,STANDARD FRONT DOOR,LIME LIGHT	1
A1n	DGN152585-PYL3	SHROUD,ASSY,STANDARD FRONT DOOR,YELLOW BLAZE	1
A1o	DGN152585-PYL4	SHROUD,ASSY,STANDARD FRONT DOOR,LEMON CRUSH	1
A1p	DGN152585-POR6	SHROUD,ASSY,STANDARD FRONT DOOR,ORANGE CRUSH	1
A1q	DGN152585-POR7	SHROUD,ASSY,STANDARD FRONT DOOR,EVOLUTION ORANGE	1
A1r	DGN152585-WCB1	SHROUD,ASSY,STANDARD FRONT DOOR,CARBON FIBER	1
A1s	DGN152585-WCM7	SHROUD,ASSY,STANDARD FRONT DOOR,MILITARY DIGITAL CAMO	1
A1t	DGN152585-WFL2	SHROUD,ASSY,STANDARD FRONT DOOR,FADED GLORY	1
B1a	DGN152613-PBK1	SHROUD,ASSY,RECESSED FRONT DOOR,BACK IN BLACK	1
B1b	DGN152613-PBK3	SHROUD,ASSY,RECESSED FRONT DOOR,NIGHT TRAIN	1
B1c	DGN152613-PSL3	SHROUD,ASSY,RECESSED FRONT DOOR,GREY STREET	1
B1d	DGN152613-PSL7	SHROUD,ASSY,RECESSED FRONT DOOR,SILVER BULLET	1
B1e	DGN152613-PWT2	SHROUD,ASSY,RECESSED FRONT DOOR,WHITE SATIN	1
B1f	DGN152613-PRD1	SHROUD,ASSY,RECESSED FRONT DOOR,RED CORVETTE	1
B1g	DGN152613-PPK3	SHROUD,ASSY,RECESSED FRONT DOOR,PRETTY IN PINK	1
B1h	DGN152613-PPR5	SHROUD,ASSY,RECESSED FRONT DOOR,DEEP PURPLE	1
B1i	DGN152613-PBU10	SHROUD,ASSY,RECESSED FRONT DOOR,MIDNIGHT BLUE	1
B1j	DGN152613-PBU9	SHROUD,ASSY,RECESSED FRONT DOOR,ELECTRIC BLUE	1
B1k	DGN152613-PGN11	SHROUD,ASSY,RECESSED FRONT DOOR,GREEN MACHINE	1
B1l	DGN152613-PGN8	SHROUD,ASSY,RECESSED FRONT DOOR,MILITARY GREEN	1
B1m	DGN152613-PGN7	SHROUD,ASSY,RECESSED FRONT DOOR,LIME LIGHT	1
B1n	DGN152613-PYL3	SHROUD,ASSY,RECESSED FRONT DOOR,YELLOW BLAZE	1
B1o	DGN152613-PYL4	SHROUD,ASSY,RECESSED FRONT DOOR,LEMON CRUSH	1
B1p	DGN152613-POR6	SHROUD,ASSY,RECESSED FRONT DOOR,ORANGE CRUSH	1

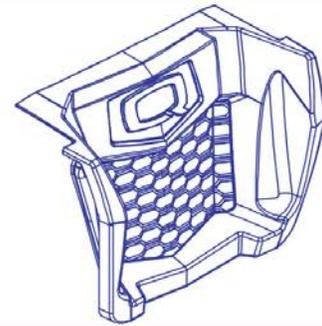
Front Door Shroud Assy's

Standard	Recessed	Color Name	Part Suffix	Color Code
A1a	B1a	Back in Black	PBK1	PPW-BLK-01
A1b	B1b	Night Train	PBK3	PPW-BLK-03
A1c	B1c	Grey Street	PSL3	PPW-SIL-03
A1d	B1d	Silver Bullet	PSL7	PPW-SIL-07
A1e	B1e	White Satin	PWT2	PPW-WHT-02
A1f	B1f	Red Corvette	PRD1	PPW-RED-01
A1g	B1g	Pretty in Pink	PPK3	PPW-PNK-03
A1h	B1h	Deep Purple	PPR5	PPW-PRP-05
A1i	B1i	Midnight Blue	PBU10	PPW-BLU-10
A1j	B1j	Electric Blue	PBU9	PPW-BLU-09
A1k	B1k	Green Machine	PGN11	PPW-GRN-11
A1l	B1l	Military Green	PGN8	PPW-GRN-08
A1m	B1m	Lime Light	PGN7	PPW-GRN-07
A1n	B1n	Yellow Blaze	PYL3	PPW-YEL-03
A1o	B1o	Lemon Crush	PYL4	PPW-YEL-04
A1p	B1p	Orange Crush	POR6	PPW-ORN-06
A1q	B1q	Evolution Orange	POR7	PPW-ORN-07
A1r	B1r	Carbon Fiber	WCB1	PWT-CBN-01
A1s	B1s	Digital Camo	WCM7	PWT-CMO-07
A1t	B1t	Faded Glory	WFL2	PWT-FLG-02

Standard Front Door Shroud - A1's

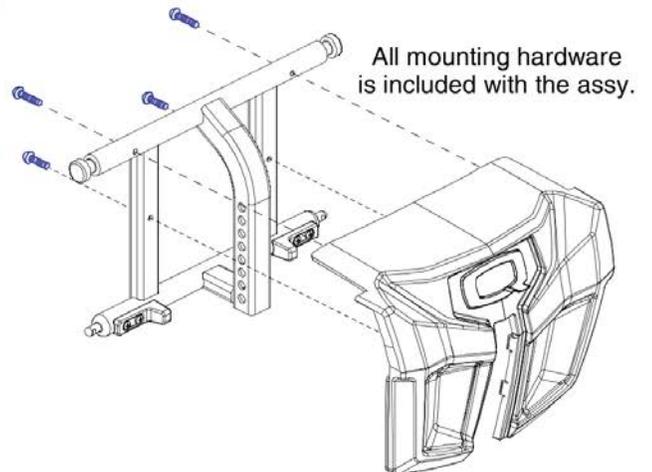


Recessed Front Door Shroud - B1's



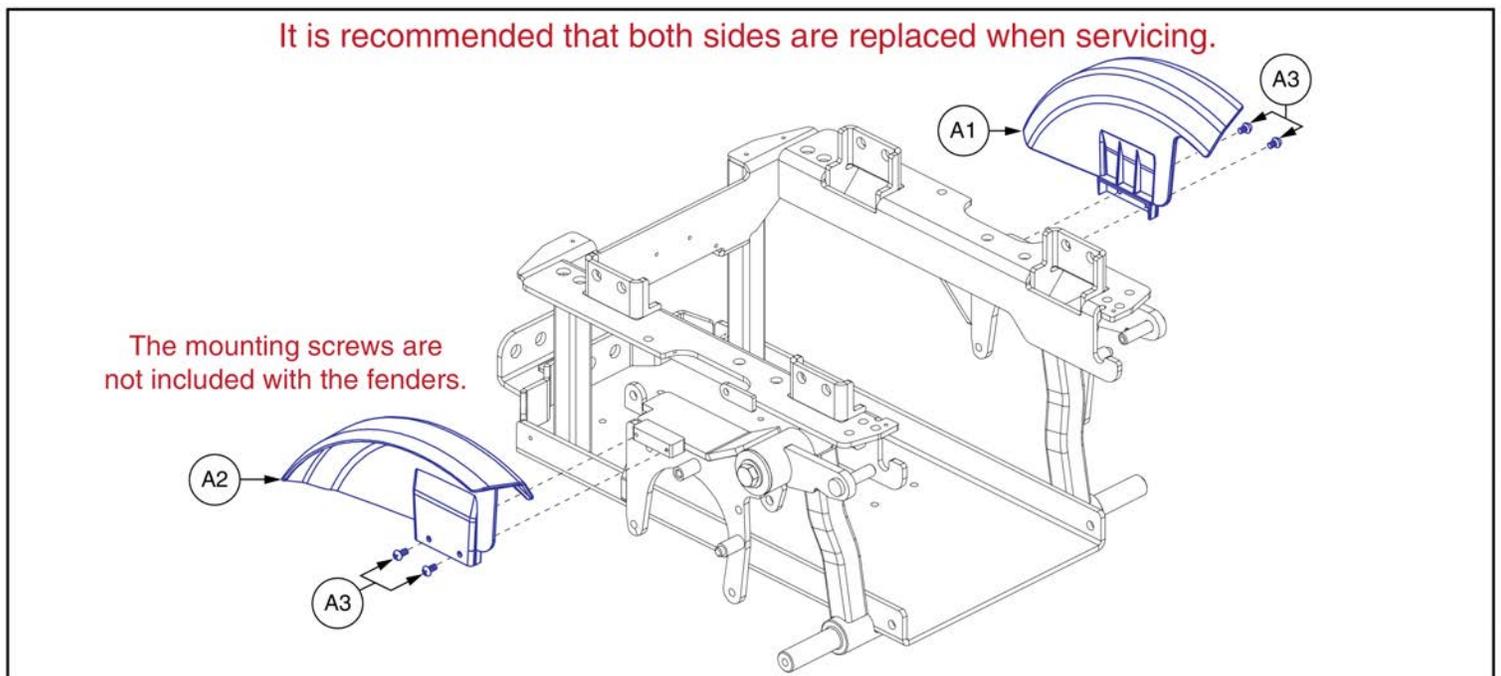
Decals

Decal	Part #	Ref #
Max. Weight Capacity	DWR1234L004	D1
Read Owner's Manual	LAB148325	D2
Battery Warning	DWR1235L515	D3
Battery Connection	DWR1235L678	D4



Item	Part No.	Name	Qty
B1q	DGN152613-POR7	SHROUD,ASSY,RECESSED FRONT DOOR,EVOLUTION ORANGE	1
B1r	DGN152613-WCB1	SHROUD,ASSY,RECESSED FRONT DOOR,CARBON FIBER	1
B1s	DGN152613-WCM7	SHROUD,ASSY,RECESSED FRONT DOOR,MILITARY DIGITAL CAMO	1
B1t	DGN152613-WFL2	SHROUD,ASSY,RECESSED FRONT DOOR,FADED GLORY	1
C1	DGN135824	FRONT DOOR CAP	1
D1	DWR1234L004	DECAL,ICON,300LBS/135 KG,MAXIMUM WEIGHT CAPACITY,L-1234-004	1
D2	LAB148325	DECAL,READ OWNERS MANUAL, 19.1 DIAMETER	1
D3	DWR1235L515	DECAL,WARNING,BATTERY WARNINGS,L-1235-515	1
D4	DWR1235L678	DECAL,BATTERY CONNECTION,1.6" X 2.3",QUANTUM623,L-1235-678	1

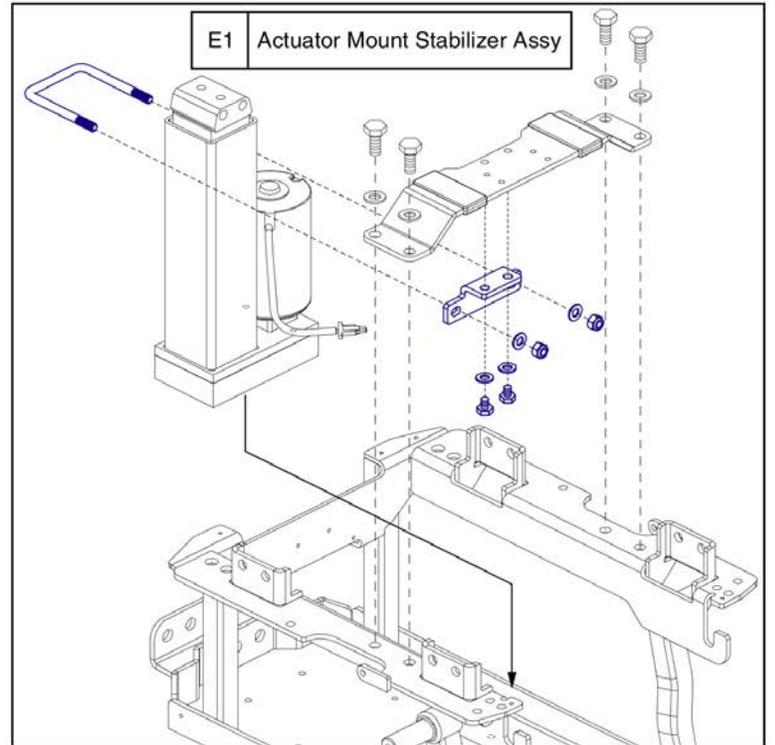
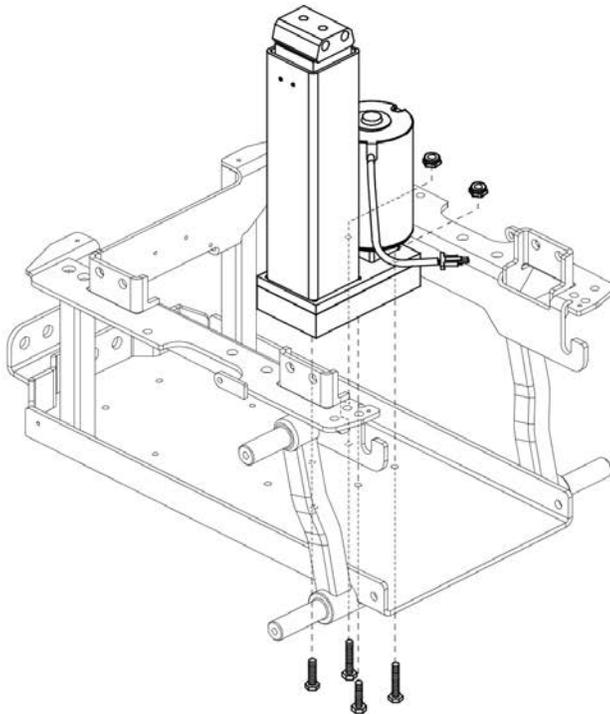
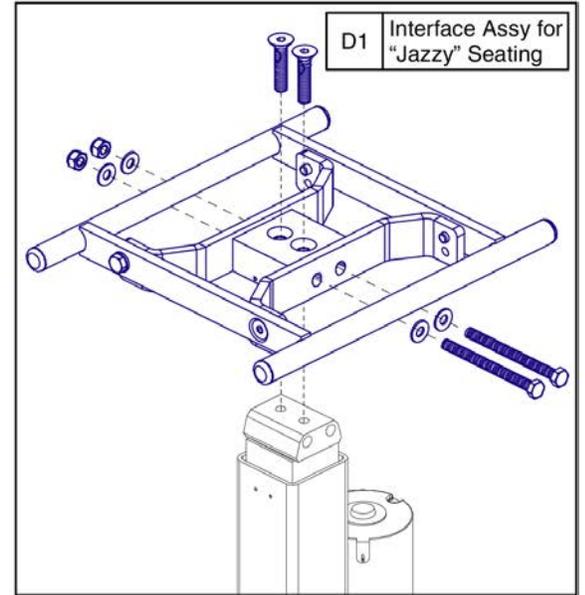
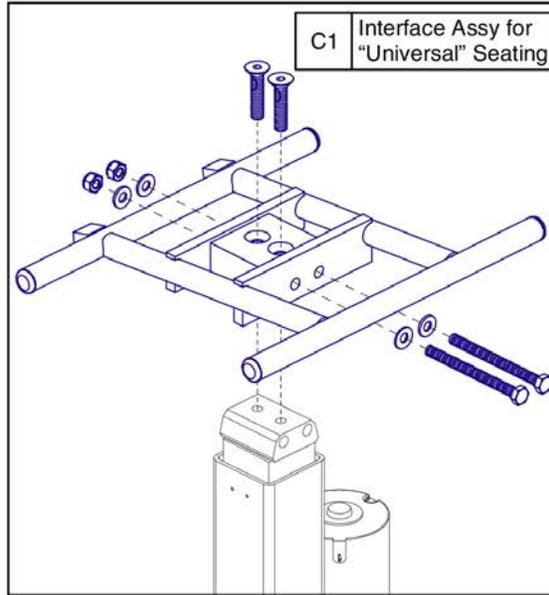
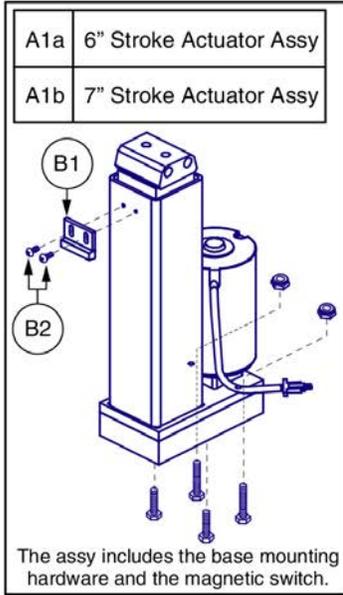
10. Fender / Fender Light Assy's





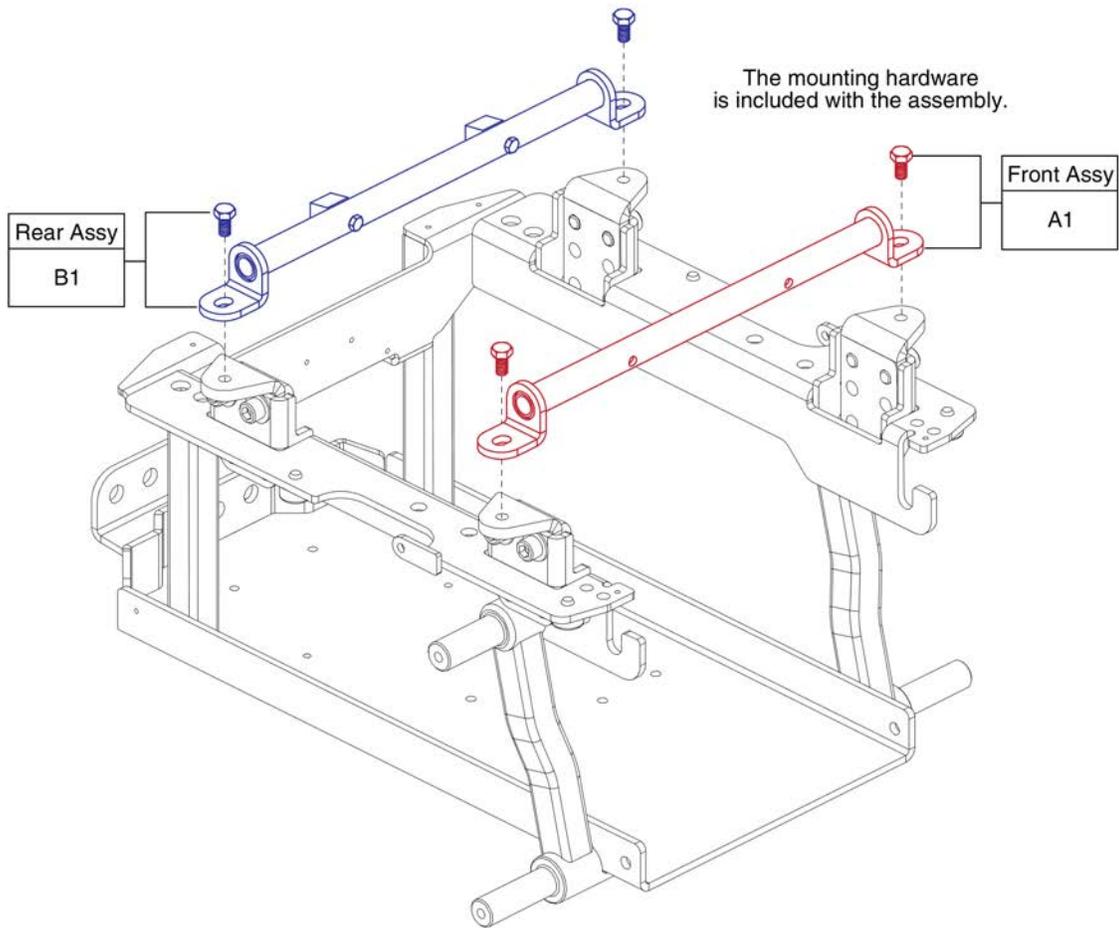
Item	Part No.	Name	Qty
A1	DGN155720	LEFT FENDER, ILEVEL	1
A2	DGN155719	RIGHT FENDER, ILEVEL	1
A3	SCRPPH1036	SCREW, PAN HEAD, TYPE H, M4X0.7 X 8, FT, ISO 7045, CL 4.8, BZ	2

11. Power Seat Assy



Item	Part No.	Name	Qty
A1a	FRMASMB16311	ACTUATOR,ASSY,POWER SEAT,6" STROKE,W/TAPERED HEAD,Q6 EDGE	1
A1b	FRMASMB16312	ACTUATOR,ASSY,POWER SEAT,7" STROKE,W/TAPERED HEAD,Q6 EDGE	1
B1	SWTMAGN1001	ELECTRONIC,SWITCH,HERMETIC,PRX +8100	1
B2	SCRPPH1290	SCREW,PPH,BLACK ZINC,4-40 X 0.25"	2
C1	FRMASMB9428	SEAT BASE,ASSY,POWER SEAT INTERFACE FOR UNIVERSAL SEATING,QUANTUM6000	1
D1	MEC133628	SEAT INTERFACE,ASSY,TAPERED HEAD ACTUATOR W/JAZZYINTERFACE	1
E1	FRMASMB15971	FRAME,ASSY,POWER SEAT ACTUATOR MOUNT,C-1062-049	1

12. Trapeze Bar Assy

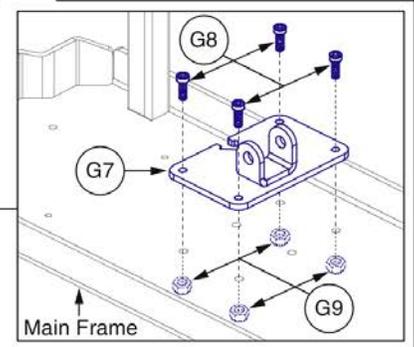
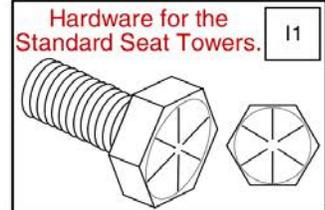
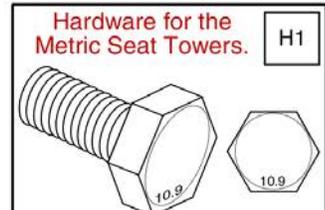
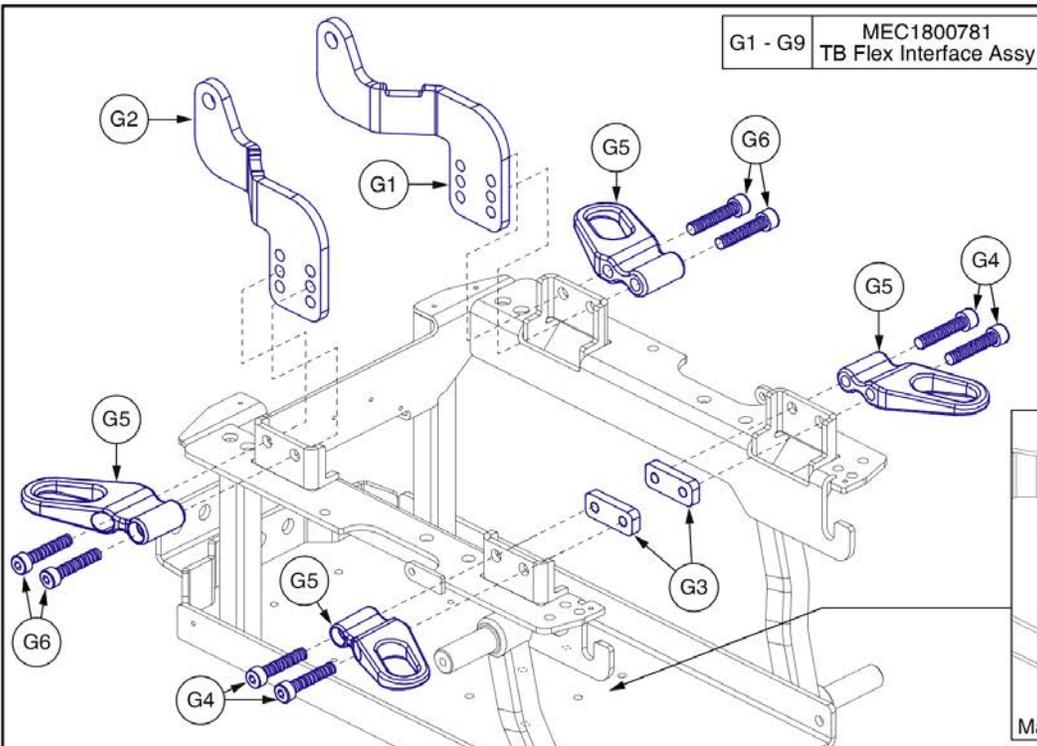
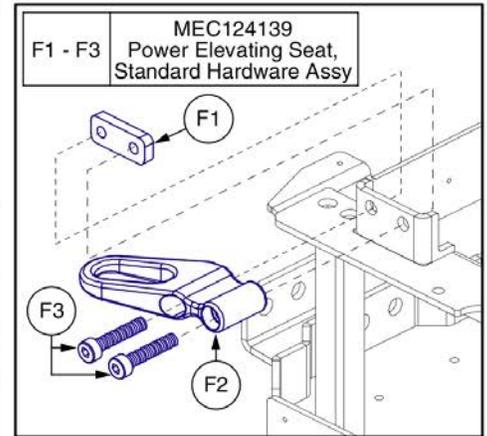
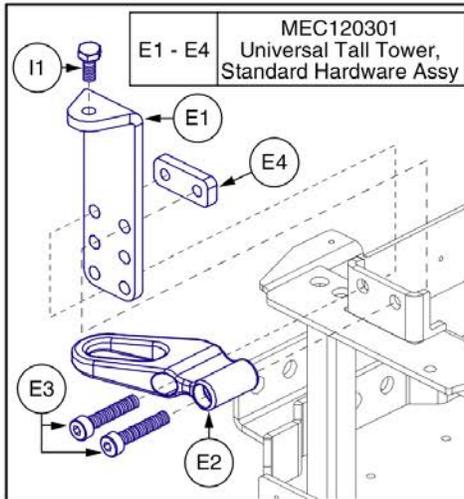
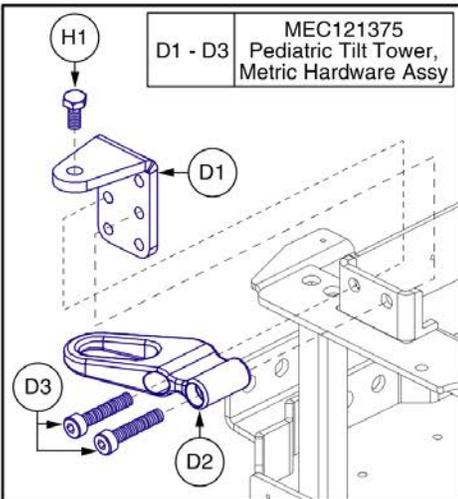
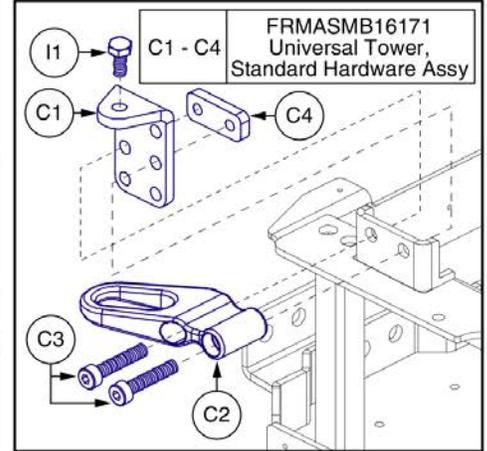
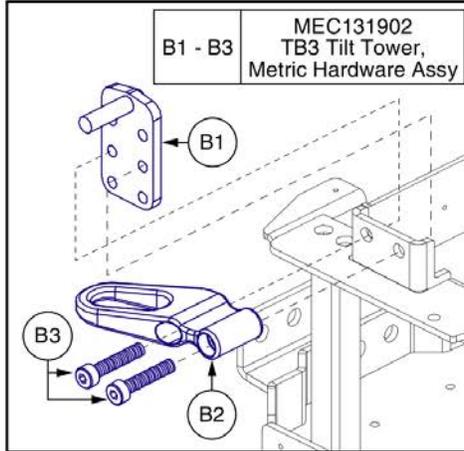
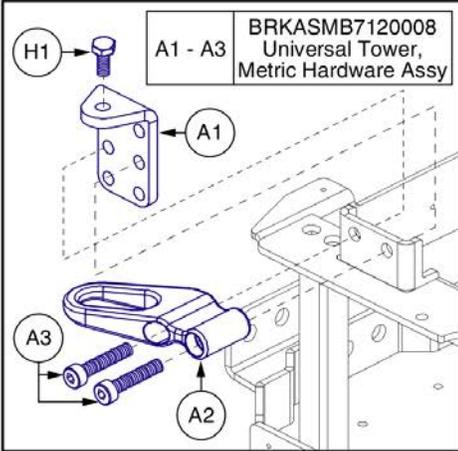


Trapeze Bar Assy



Item	Part No.	Name	Qty
A1	TWRASMB7120002	SEAT TOWER,ASSY,14.00" CENTERS,FRONT TRAPEZE BAR,METRIC	1
B1	TWRASMB7120003	SEAT TOWER,ASSY,14.00" CENTERS,REAR TRAPEZE BAR,METRIC	1

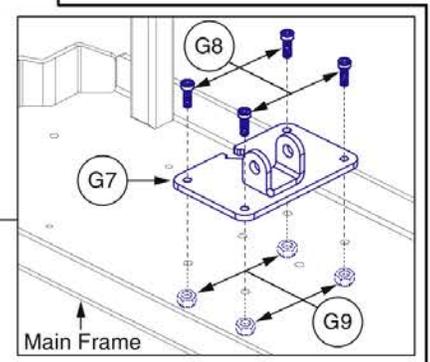
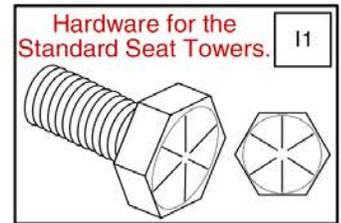
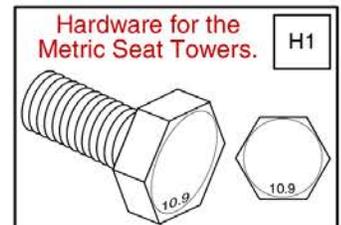
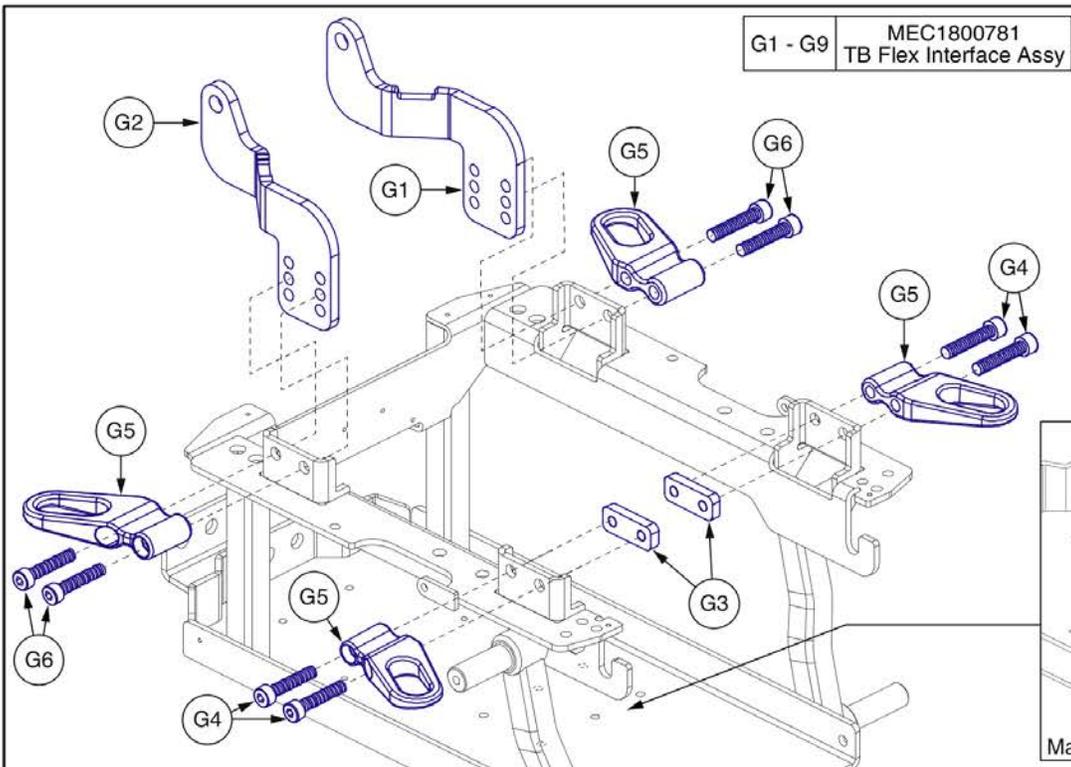
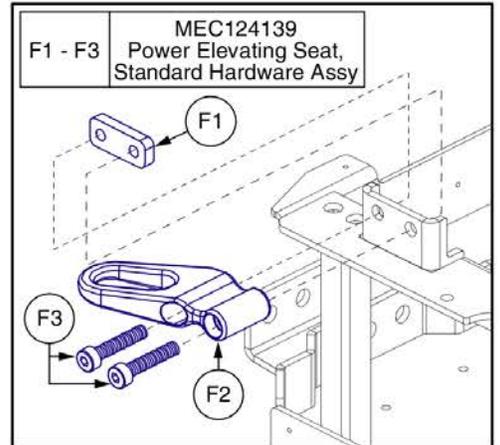
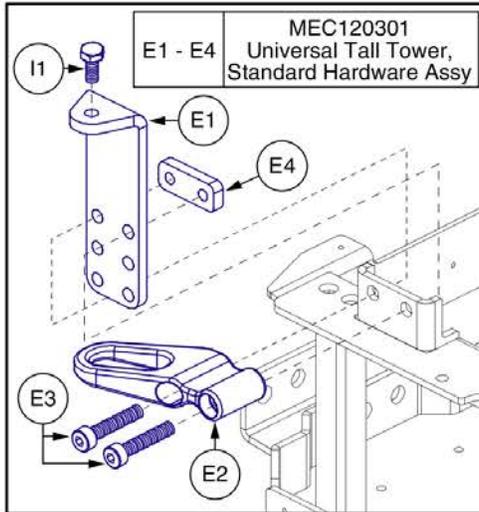
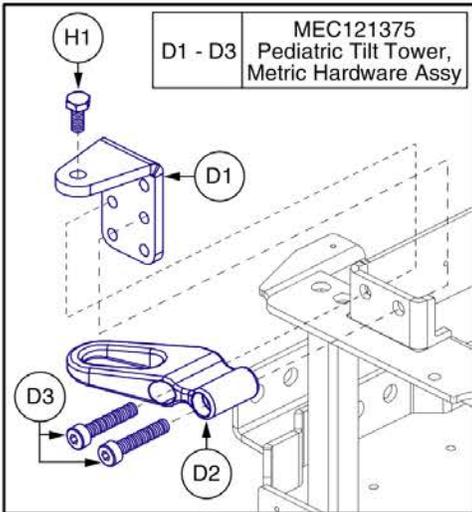
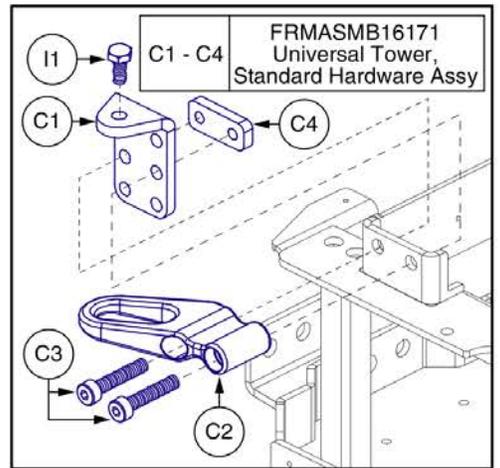
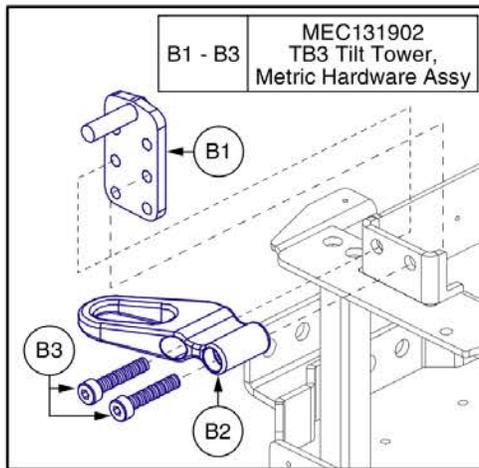
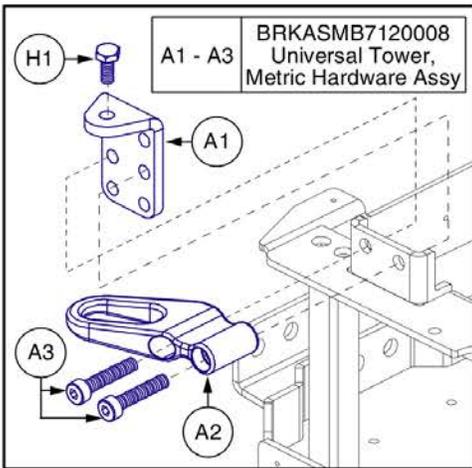
13. Seat Mount L-Bracket & Transit Loop Assy's



L-Bracket Towers and Transit Loops



Item	Part No.	Name	Qty
A1 - A3	BRKASMB7120008	SEAT MOUNT CONNECTOR,ASSY,UNIVERSAL,TRANSIT PACKAGE,METRIC	1
A1	BRK8110003	MOUNTING BRACKET,SEAT INTERFACE,UNIVERSAL,BRK8110003	4
A2	MEC142133	MOUNTING BRACKET,ASSY,UNIVERSAL TRANSIT SECUREMENT LOOP W/DECALS	4
A3	HDW142810	SCREW, SOCKET HEAD, M10 X 50, ISO 4762, CL 12.9, BZ, PVTP	8
B1 - B3	MEC131902	SEAT MOUNT CONNECTOR,ASSY,TB3 TILT,TRANSIT PACKAGE,METRIC	1
B1	MEC131182	MOUNTING BRACKET,SEAT INTERFACE,TRU-BALANCE 3	4
B2	MEC142133	MOUNTING BRACKET,ASSY,UNIVERSAL TRANSIT SECUREMENT LOOP W/DECALS	4
B3	HDW142810	SCREW, SOCKET HEAD, M10 X 50, ISO 4762, CL 12.9, BZ, PVTP	8
C1 - C4	FRMASMB16171	SEAT MOUNT CONNECTOR,ASSY,UNIVERSAL,TRANSIT PACKAGE,Q6EDGE	1
C1	DWR1062D045	MOUNTING BRACKET,SEAT INTERFACE,UNIVERSAL,D-1062-045	4
C2	MEC142133	MOUNTING BRACKET,ASSY,UNIVERSAL TRANSIT SECUREMENT LOOP W/DECALS	4
C3	SCRSHCS1338	SCREW,SHCS,BLACK ZINC,3/8-16 X 2.25",GRADE 8,W/NYLON PATCH	8
C4	DWR1062C036	MOUNTING BRACKET,SEAT INTERFACE BACK PLATE,THREADED,C-1062-036	4
D1 - D3	MEC121375	SEAT MOUNT CONNECTOR,ASSY,PEDIATRIC TILT,TRANSIT PACKAGE,METRIC	1
D1	SET8110003	MOUNTING BRACKET,SEAT INTERFACE,PEDIATRIC TILT,METRIC,SET8110003	4
D2	MEC142133	MOUNTING BRACKET,ASSY,UNIVERSAL TRANSIT SECUREMENT LOOP W/DECALS	4
D3	HDW142810	SCREW, SOCKET HEAD, M10 X 50, ISO 4762, CL 12.9, BZ, PVTP	8
E1 - E4	MEC120301	SEAT MOUNT CONNECTOR,ASSY,TALL,TRANSIT PACKAGE,Q6EDGE	1
E1	DWR1062D056	MOUNTING BRACKET,SEAT INTERFACE,TALL,D-1062-056	4
E2	MEC142133	MOUNTING BRACKET,ASSY,UNIVERSAL TRANSIT SECUREMENT LOOP W/DECALS	4
E3	SCRSHCS1338	SCREW,SHCS,BLACK ZINC,3/8-16 X 2.25",GRADE 8,W/NYLON PATCH	8
E4	DWR1062C036	MOUNTING BRACKET,SEAT INTERFACE BACK PLATE,THREADED,C-1062-036	4
F1 - F3	MEC124139	SEAT MOUNT CONNECTOR,ASSY,POWER ELEVATING SEAT,TRANSIT PACKAGE,Q6EDGE	1
F1	DWR1062C036	MOUNTING BRACKET,SEAT INTERFACE BACK PLATE,THREADED,C-1062-036	4
F2	MEC142133	MOUNTING BRACKET,ASSY,UNIVERSAL TRANSIT SECUREMENT LOOP W/DECALS	4
F3	SCRSHCS1338	SCREW,SHCS,BLACK ZINC,3/8-16 X 2.25",GRADE 8,W/NYLON PATCH	8
G1 - G9	MEC1800781	SEAT INTERFACE,ASSY,TBFLEX,Q4 / Q6EDGE2.0,W/MOUNTING HARDWARE	1
G1	MEC146836	SEAT INTERFACE BRACKET,LEFT,EU SEAT	1
G2	MEC146837	SEAT INTERFACE BRACKET,RIGHT,EU SEAT	1
G3	DWR1062C036	MOUNTING BRACKET,SEAT INTERFACE BACK PLATE,THREADED,C-1062-036	2
G4	HDW142830	SCREW,SHCS,BLACK ZINC,3/8-16 X 2.00",GRADE 8,W/NYLON PATCH	4
G5	MEC142133	MOUNTING BRACKET,ASSY,UNIVERSAL TRANSIT SECUREMENT LOOP W/DECALS	4
G6	HDW142810	SCREW, SOCKET HEAD, M10 X 50, ISO 4762, CL 12.9, BZ, PVTP	4
G7	MEC120671	SEAT INTERFACE,WELDMENT	1
G8	SCRSHCS1153	SCREW,SHCS,BLACK ZINC,M6-1.0 X 16MM,GRADE 12.9	4
G9	NUTNYLK1019	NUT,NYLOCK,BLACK ZINC,M6-1.0	4

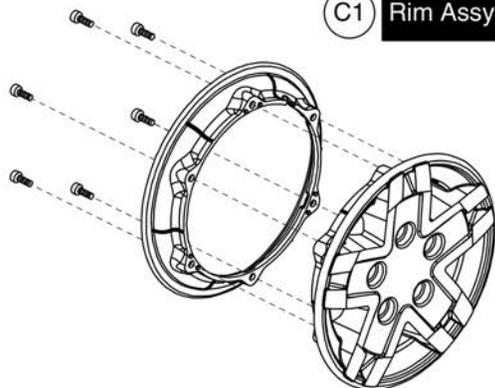
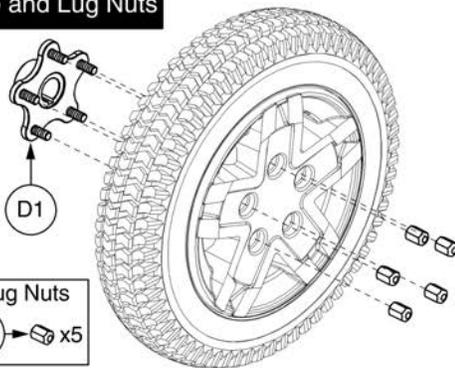


L-Bracket Towers and Transit Loops



Item	Part No.	Name	Qty
H1	SCRHHCS1402	SCREW,HHCS,BLACK ZINC,M10-1.5 X 25MM,10.9,	1
I1	SCRHHCS1247	SCREW,HHCS,BLACK ZINC,3/8-16 X 0.50",GRADE 8	1

5-Spoke, 14" x 3" Drive Wheels

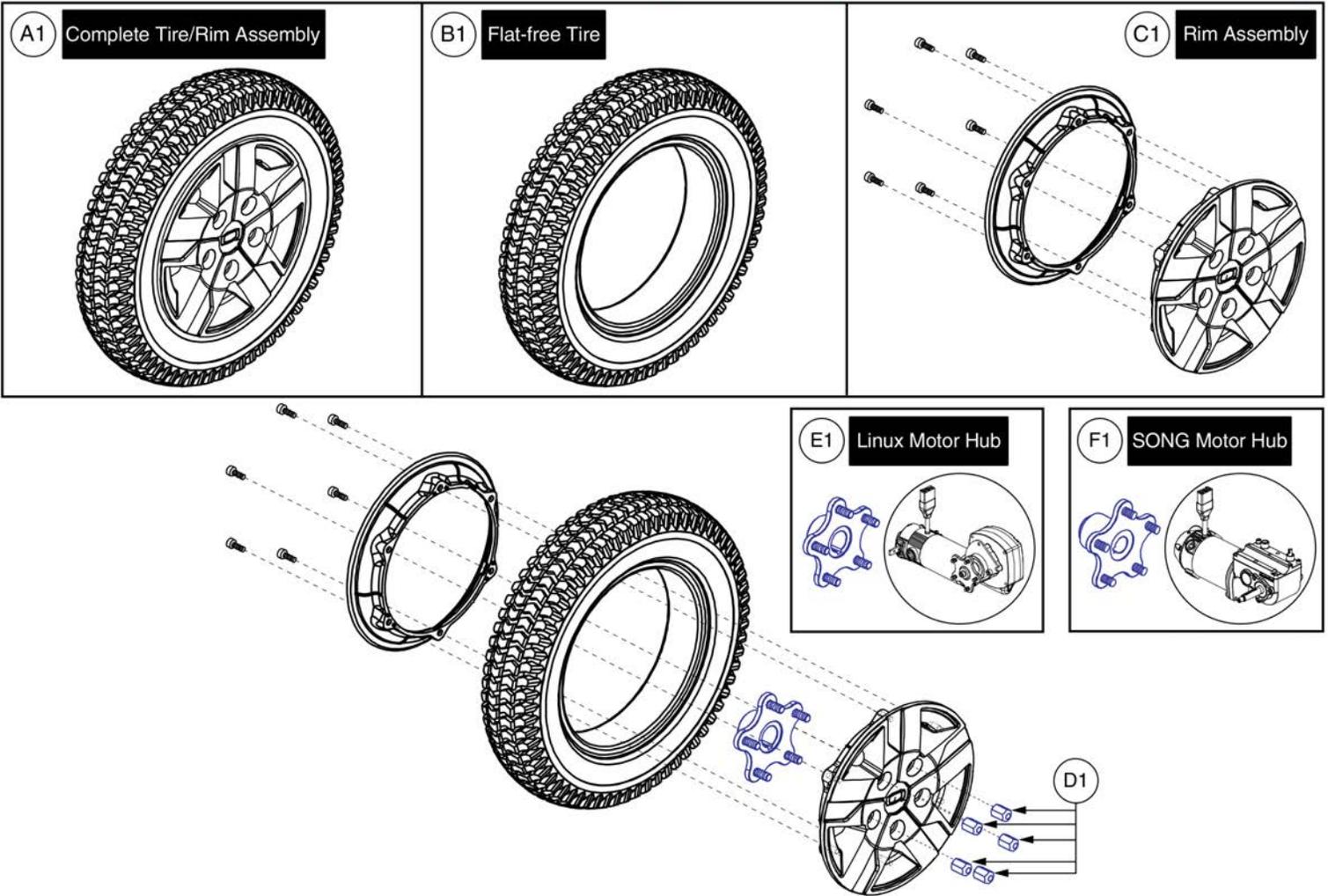
<p>A1 Complete Tire/Rim Assy</p> 	<p>B1 Flat-free Tire</p> 	<p>C1 Rim Assy</p> 																																				
<p>Hub and Lug Nuts</p>  <p>Lug Nuts E1 x5</p>	<p style="text-align: center;">Painted Rim Inserts</p> <table border="1" style="width: 100%; border-collapse: collapse; text-align: center;"> <tr> <td>F1a</td><td>Red Corvette</td><td>F1g</td><td>Electric Blue</td><td>F1m</td><td>White Satin</td></tr> <tr> <td>F1b</td><td>Pretty In Pink</td><td>F1h</td><td>Midnight Blue</td><td>F1n</td><td>Night Train</td></tr> <tr> <td>F1c</td><td>Orange Crush</td><td>F1i</td><td>Deep Purple</td><td>F1o</td><td>Carbon Fiber</td></tr> <tr> <td>F1d</td><td>Yellow Blaze</td><td>F1j</td><td>Back In Black</td><td>F1p</td><td>Digital Camo</td></tr> <tr> <td>F1e</td><td>Lime Light</td><td>F1k</td><td>Grey Street</td><td>F1q</td><td>Faded Glory</td></tr> <tr> <td>F1f</td><td>Military Green</td><td>F1l</td><td>Silver Bullet</td><td></td><td></td></tr> </table> 		F1a	Red Corvette	F1g	Electric Blue	F1m	White Satin	F1b	Pretty In Pink	F1h	Midnight Blue	F1n	Night Train	F1c	Orange Crush	F1i	Deep Purple	F1o	Carbon Fiber	F1d	Yellow Blaze	F1j	Back In Black	F1p	Digital Camo	F1e	Lime Light	F1k	Grey Street	F1q	Faded Glory	F1f	Military Green	F1l	Silver Bullet		
F1a	Red Corvette	F1g	Electric Blue	F1m	White Satin																																	
F1b	Pretty In Pink	F1h	Midnight Blue	F1n	Night Train																																	
F1c	Orange Crush	F1i	Deep Purple	F1o	Carbon Fiber																																	
F1d	Yellow Blaze	F1j	Back In Black	F1p	Digital Camo																																	
F1e	Lime Light	F1k	Grey Street	F1q	Faded Glory																																	
F1f	Military Green	F1l	Silver Bullet																																			

Please Note: The Complete Wheel Assemblies do not contain the Hub, Lug Nuts, or the Painted Inserts.

Item	Part No.	Name	Qty
A1	WHLASMB7110042	WHEEL,ASSY,FLAT FREE,14" X 3" DRIVE,SILVER RIM/BLACK TIRE,E-1203-043	1
B1	TIR8110024	TIRE,FLAT FREE,BLACK,14" OD,3" W,C-248 POWERTRAX TREAD,(GALLOP: 5508018 YT57)	1
C1	WHLASMB2095	WHEEL,ASSY,RIM,SILVER,ALUMINUM,8",5 SPOKE,MACHINED FACE	1
D1	MEC145417	HUB ASSEMBLY	1
E1	DWR1005B049	NUT,LUG,ZINC,5/16-24,B-1005-049	5
F1a	DGN164245-PRD1	DRIVE WHEEL COLOR INSERT, WITH ADHESIVE TAPE, PPW-RED-01 (RED CORVETTE/CANDY APPLE RED)	1
F1b	DGN164245-PPK3	DRIVE WHEEL COLOR INSERT, WITH ADHESIVE TAPE, PPW-PNK-03 (PRETTY IN PINK)	1
F1c	DGN164245-POR6	DRIVE WHEEL COLOR INSERT, WITH ADHESIVE TAPE, PPW-ORN-06 (ORANGE CRUSH)	1
F1d	DGN164245-PYL3	DRIVE WHEEL COLOR INSERT, WITH ADHESIVE TAPE, PPW-YEL-03 (YELLOW BLAZE/ORION YELLOW)	1
F1e	DGN164245-PGN7	DRIVE WHEEL COLOR INSERT, WITH ADHESIVE TAPE, PPW-GRN-07 (LIME LIGHT)	1
F1f	DGN164245-PGN8	DRIVE WHEEL COLOR INSERT, WITH ADHESIVE TAPE, PPW-GRN-08 (MILITARY GREEN)	1
F1g	DGN164245-PBU9	DRIVE WHEEL COLOR INSERT, WITH ADHESIVE TAPE, PPW-BLU-09 (ELECTRIC BLUE/TRUE BLUE)	1
F1h	DGN164245-PBU10	DRIVE WHEEL COLOR INSERT, WITH ADHESIVE TAPE, PPW-BLU-10 (MIDNIGHT BLUE)	1
F1i	DGN164245-PPR5	DRIVE WHEEL COLOR INSERT, WITH ADHESIVE TAPE, PPW-PRP-05 (DEEP PURPLE)	1
F1j	DGN164245-PBK1	DRIVE WHEEL COLOR INSERT, WITH ADHESIVE TAPE, PPW-BLK-01 (BACK IN BLACK/BLACK)	1
F1k	DGN164245-PSL3	DRIVE WHEEL COLOR INSERT, WITH ADHESIVE TAPE, PPW-SIL-03 (GREY STREET)	1
F1l	DGN164245-PSL7	DRIVE WHEEL COLOR INSERT, WITH ADHESIVE TAPE, PPW-SIL-07 (SILVER BULLET)	1
F1m	DGN164245-PWH2	DRIVE WHEEL COLOR INSERT, WITH ADHESIVE TAPE, PPW-WHT-02 (WHITE SATIN)	1
F1n	DGN164245-PBK3	DRIVE WHEEL COLOR INSERT, WITH ADHESIVE TAPE, PPW-BLK-03 (NIGHT TRAIN)	1
F1o	DGN164245-WCB1	DRIVE WHEEL COLOR INSERT, WITH ADHESIVE TAPE, PWT-CBN-01 (CARBON FIBER)	1
F1p	DGN164245-WCM7	DRIVE WHEEL COLOR INSERT, WITH ADHESIVE TAPE, PWT-CMO-07 (MILITARY DIGITAL CAMO)	1
F1q	DGN164245-WFL2	DRIVE WHEEL COLOR INSERT, WITH ADHESIVE TAPE, PWT-FLG-02 (FADED GLORY)	1

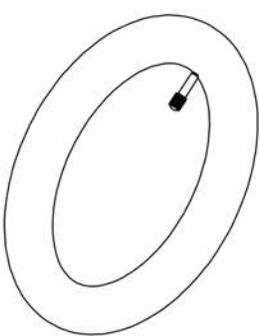
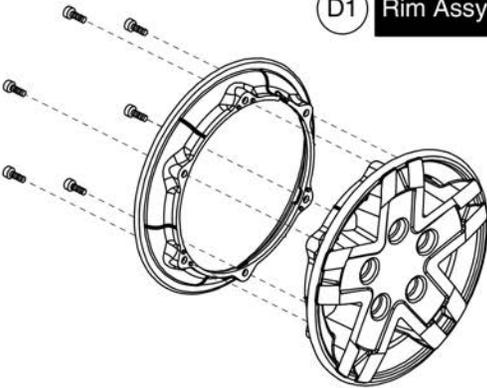
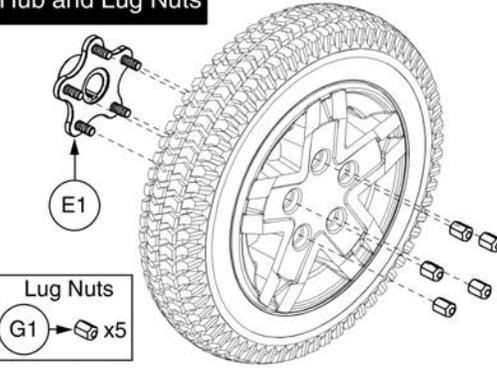
5-Spoke, 14" x 3" Drive Wheels

Please note: Hardware is included in the top-level assys. It is not available individually.



Item	Part No.	Name	Qty
A1	WHL138798-B	WHEEL,ASSY,FLAT FREE,14" X 3" DRIVE,TITANIUM RIM/BLACK TIRE	1
B1	TIR8110024	TIRE,FLAT FREE,BLACK,14" OD,3" W,C-248 POWERTRAX TREAD,(GALLOP: 5508018 YT57)	1
C1	WHL130780-CGY1	WHEEL,ASSY,RIM,COSMIC SILVER,ALUMINUM,8",5 SPOKE,MACHINED FACE,130780	1
D1	DWR1005B049	NUT,LUG,ZINC,5/16-24,B-1005-049	5
E1	MEC145417	HUB ASSEMBLY	1
F1	WHLASMB2081	WHEEL,ASSY,HUB,5 SPOKE,W/STUDS,G4 MOTORS,B-1203-010	1

5-Spoke, 14" x 3" Drive Wheels

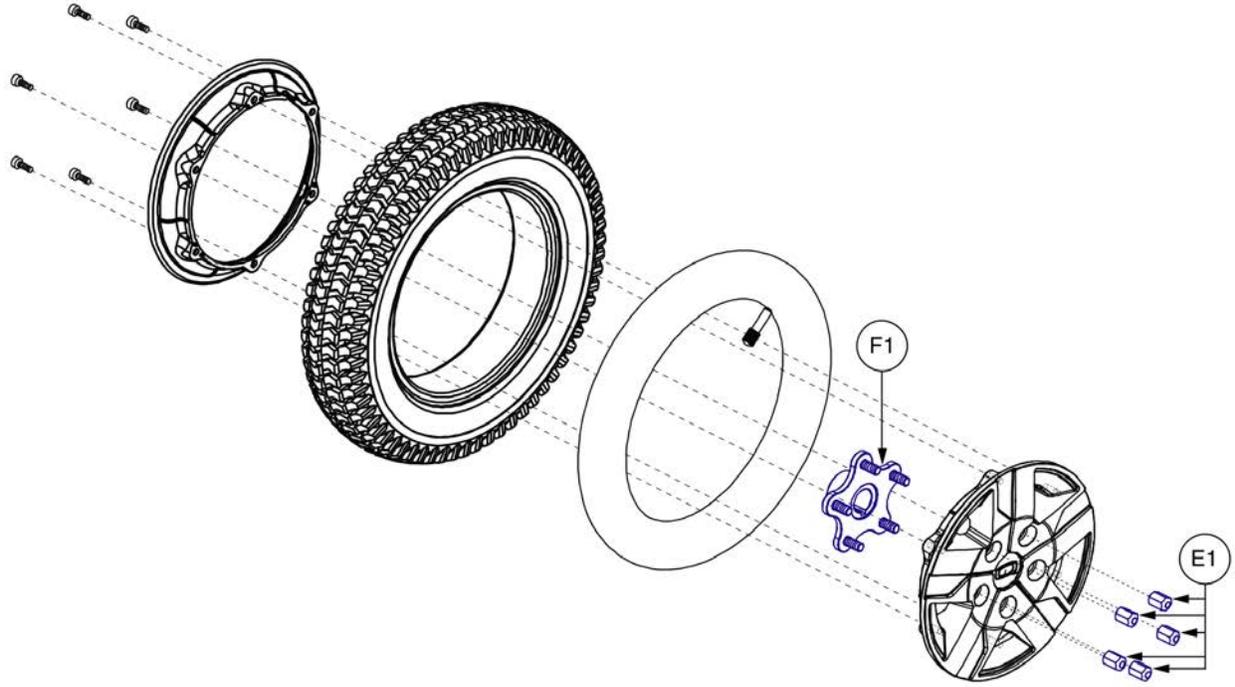
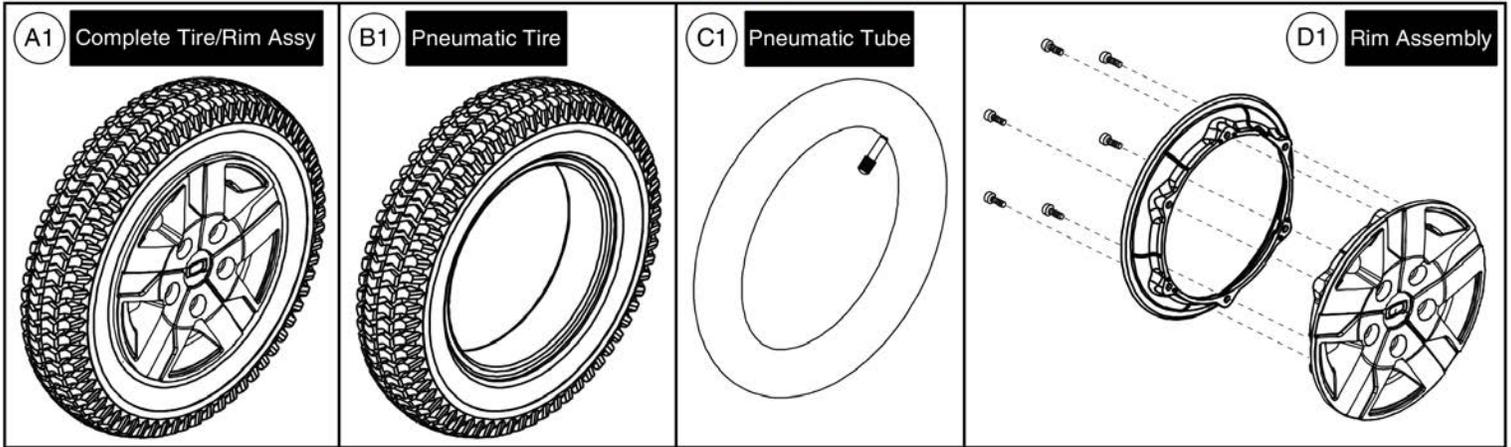
<p>A1 Complete Tire/Rim Assy</p> 	<p>B1 Pneumatic Tire</p> 	<p>C1 Pneumatic Tube</p> 	<p>D1 Rim Assy</p> 																																					
<p>Hub and Lug Nuts</p>  <p>Lug Nuts G1 → x5</p>	<p>Painted Rim Inserts</p> <table border="1" style="width: 100%; border-collapse: collapse; text-align: center;"> <tr> <td>F1a</td><td>Red Corvette</td><td>F1g</td><td>Electric Blue</td><td>F1m</td><td>White Satin</td></tr> <tr> <td>F1b</td><td>Pretty In Pink</td><td>F1h</td><td>Midnight Blue</td><td>F1n</td><td>Night Train</td></tr> <tr> <td>F1c</td><td>Orange Crush</td><td>F1i</td><td>Deep Purple</td><td>F1o</td><td>Carbon Fiber</td></tr> <tr> <td>F1d</td><td>Yellow Blaze</td><td>F1j</td><td>Back In Black</td><td>F1p</td><td>Digital Camo</td></tr> <tr> <td>F1e</td><td>Lime Light</td><td>F1k</td><td>Grey Street</td><td>F1q</td><td>Faded Glory</td></tr> <tr> <td>F1f</td><td>Military Green</td><td>F1l</td><td>Silver Bullet</td><td></td><td></td></tr> </table>			F1a	Red Corvette	F1g	Electric Blue	F1m	White Satin	F1b	Pretty In Pink	F1h	Midnight Blue	F1n	Night Train	F1c	Orange Crush	F1i	Deep Purple	F1o	Carbon Fiber	F1d	Yellow Blaze	F1j	Back In Black	F1p	Digital Camo	F1e	Lime Light	F1k	Grey Street	F1q	Faded Glory	F1f	Military Green	F1l	Silver Bullet			
F1a	Red Corvette	F1g	Electric Blue	F1m	White Satin																																			
F1b	Pretty In Pink	F1h	Midnight Blue	F1n	Night Train																																			
F1c	Orange Crush	F1i	Deep Purple	F1o	Carbon Fiber																																			
F1d	Yellow Blaze	F1j	Back In Black	F1p	Digital Camo																																			
F1e	Lime Light	F1k	Grey Street	F1q	Faded Glory																																			
F1f	Military Green	F1l	Silver Bullet																																					

Please Note: The Complete Wheel Assemblies do not contain the Hub, Lug Nuts, or the Painted Inserts.

Item	Part No.	Name	Qty
A1	WHLASMB7110044	WHEEL,ASSY,PNEUMATIC,14" X 3" DRIVE,SILVER RIM/BLACK TIRE	1
B1	TIR8110026	TIRE,PNEUMATIC,BLACK,14" OD,3" W,C-248-5 TREAD	1
C1	TUBSTND1002	TUBE,300-8,ANGLED VALVE W/CAP	1
D1	WHLASMB2095	WHEEL,ASSY,RIM,SILVER,ALUMINUM,8",5 SPOKE,MACHINED FACE	1
E1	MEC145417	HUB ASSEMBLY	1
F1a	DGN164245-PRD1	DRIVE WHEEL COLOR INSERT, WITH ADHESIVE TAPE, PPW-RED-01 (RED CORVETTE/CANDY APPLE RED)	1
F1b	DGN164245-PPK3	DRIVE WHEEL COLOR INSERT, WITH ADHESIVE TAPE, PPW-PNK-03 (PRETTY IN PINK)	1
F1c	DGN164245-POR6	DRIVE WHEEL COLOR INSERT, WITH ADHESIVE TAPE, PPW-ORN-06 (ORANGE CRUSH)	1
F1d	DGN164245-PYL3	DRIVE WHEEL COLOR INSERT, WITH ADHESIVE TAPE, PPW-YEL-03 (YELLOW BLAZE/ORION YELLOW)	1
F1e	DGN164245-PGN7	DRIVE WHEEL COLOR INSERT, WITH ADHESIVE TAPE, PPW-GRN-07 (LIME LIGHT)	1
F1f	DGN164245-PGN8	DRIVE WHEEL COLOR INSERT, WITH ADHESIVE TAPE, PPW-GRN-08 (MILITARY GREEN)	1
F1g	DGN164245-PBU9	DRIVE WHEEL COLOR INSERT, WITH ADHESIVE TAPE, PPW-BLU-09 (ELECTRIC BLUE/TRUE BLUE)	1
F1h	DGN164245-PBU10	DRIVE WHEEL COLOR INSERT, WITH ADHESIVE TAPE, PPW-BLU-10 (MIDNIGHT BLUE)	1
F1i	DGN164245-PPR5	DRIVE WHEEL COLOR INSERT, WITH ADHESIVE TAPE, PPW-PRP-05 (DEEP PURPLE)	1
F1j	DGN164245-PBK1	DRIVE WHEEL COLOR INSERT, WITH ADHESIVE TAPE, PPW-BLK-01 (BACK IN BLACK/BLACK)	1
F1k	DGN164245-PSL3	DRIVE WHEEL COLOR INSERT, WITH ADHESIVE TAPE, PPW-SIL-03 (GREY STREET)	1
F1l	DGN164245-PSL7	DRIVE WHEEL COLOR INSERT, WITH ADHESIVE TAPE, PPW-SIL-07 (SILVER BULLET)	1
F1m	DGN164245-PWH2	DRIVE WHEEL COLOR INSERT, WITH ADHESIVE TAPE, PPW-WHT-02 (WHITE SATIN)	1
F1n	DGN164245-PBK3	DRIVE WHEEL COLOR INSERT, WITH ADHESIVE TAPE, PPW-BLK-03 (NIGHT TRAIN)	1
F1o	DGN164245-WCB1	DRIVE WHEEL COLOR INSERT, WITH ADHESIVE TAPE, PWT-CBN-01 (CARBON FIBER)	1
F1p	DGN164245-WCM7	DRIVE WHEEL COLOR INSERT, WITH ADHESIVE TAPE, PWT-CMO-07 (MILITARY DIGITAL CAMO)	1
F1q	DGN164245-WFL2	DRIVE WHEEL COLOR INSERT, WITH ADHESIVE TAPE, PWT-FLG-02 (FADED GLORY)	1
G1	DWR1005B049	NUT,LUG,ZINC,5/16-24,B-1005-049	5

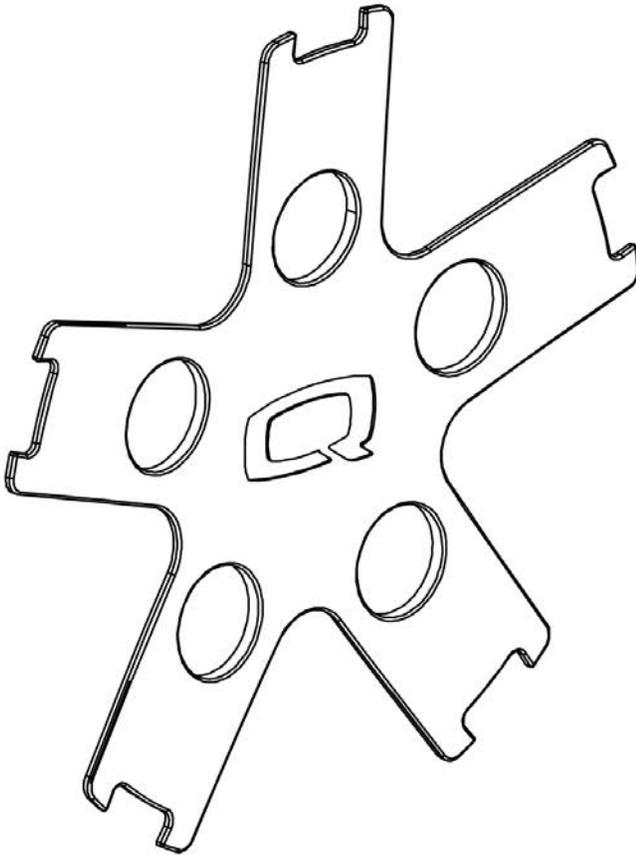
5-Spoke, 14" x 3" Drive Wheels

Please note: Hardware is included in the top-level assemblies and is not available individually.



Item	Part No.	Name	Qty
A1	WHL138793-B	WHEEL,ASSY,PNEUMATIC,14" X 3" DRIVE,TITANIUM RIM/BLACK TIRE	1
B1	TIR8110026	TIRE,PNEUMATIC,BLACK,14" OD,3" W,C-248-5 TREAD	1
C1	TUBSTND1002	TUBE,300-8,ANGLED VALVE W/CAP	1
D1	WHL130780-CGY1	WHEEL,ASSY,RIM,COSMIC SILVER,ALUMINUM,8",5 SPOKE,MACHINED FACE,130780	1
E1	DWR1005B049	NUT,LUG,ZINC,5/16-24,B-1005-049	5
F1	MEC145417	HUB ASSEMBLY	1

5-Spoke, 14" x 3" Drive Wheels



****Note:** The inserts contain all of the adhesive mounting fasteners.**

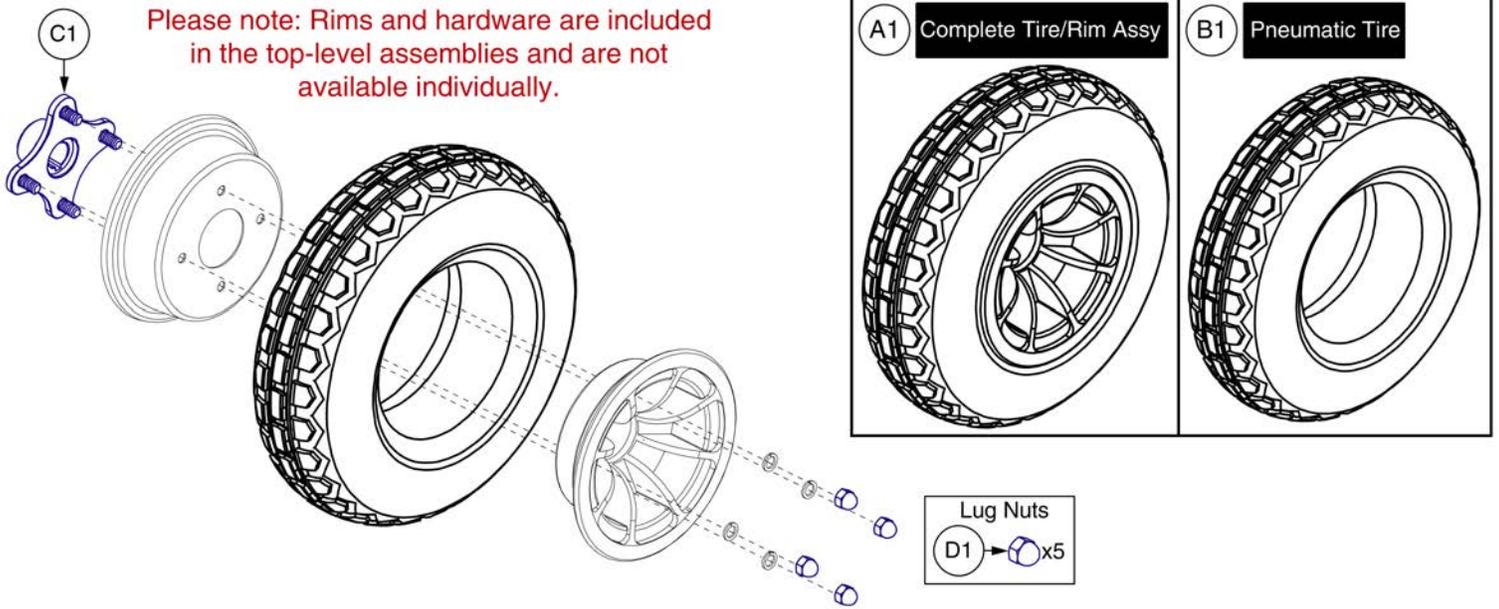
Painted Wheel Inserts			
Ref#	Color Name	Part Suffix	Color Code
A1	Back in Black	PBK1	PPW-BLK-01
B1	Night Train	PBK3	PPW-BLK-03
C1	Grey Street	PSL3	PPW-SIL-03
D1	Silver Bullet	PSL7	PPW-SIL-07
E1	White Satin	PWT2	PPW-WHT-02
F1	Red Corvette	PRD1	PPW-RED-01
G1	Cherry Bomb	PRD4	PPW-RED-04
H1	Pretty in Pink	PPK3	PPW-PNK-03
I1	Raspberry Beret	PPK4	PPW-PNK-04
J1	Sugar Plum	PPR7	PPW-PRP-07
K1	Deep Purple	PPR5	PPW-PRP-05
L1	Midnight Blue	PBU10	PPW-BLU-10
M1	Electric Blue	PBU9	PPW-BLU-09
N1	Blue Jean	PBU11	PPW-BLU-11
O1	Green Machine	PGN11	PPW-GRN-11
P1	Military Green	PGN8	PPW-GRN-08
Q1	Lime Light	PGN7	PPW-GRN-07
R1	Yellow Blaze	PYL3	PPW-YEL-03
S1	Lemon Crush	PYL4	PPW-YEL-04
T1	Orange Crush	POR6	PPW-ORN-06
U1	Evolution Orange	POR7	PPW-ORN-07
V1	Carbon Fiber	WCB1	PWT-CBN-01
W1	Digital Camo	WCM7	PWT-CMO-07
X1	Faded Glory	WFL2	PWT-FLG-02

Painted Wheel Inserts



Item	Part No.	Name	Qty
A1	DGN164245-PBK1	DRIVE WHEEL COLOR INSERT, WITH ADHESIVE TAPE, PPW-BLK-01 (BACK IN BLACK/BLACK)	1
B1	DGN164245-PBK3	DRIVE WHEEL COLOR INSERT, WITH ADHESIVE TAPE, PPW-BLK-03 (NIGHT TRAIN)	1
C1	DGN164245-PSL3	DRIVE WHEEL COLOR INSERT, WITH ADHESIVE TAPE, PPW-SIL-03 (GREY STREET)	1
D1	DGN164245-PSL7	DRIVE WHEEL COLOR INSERT, WITH ADHESIVE TAPE, PPW-SIL-07 (SILVER BULLET)	1
E1	DGN164245-PWH2	DRIVE WHEEL COLOR INSERT, WITH ADHESIVE TAPE, PPW-WHT-02 (WHITE SATIN)	1
F1	DGN164245-PRD1	DRIVE WHEEL COLOR INSERT, WITH ADHESIVE TAPE, PPW-RED-01 (RED CORVETTE/CANDY APPLE RED)	1
G1	DGN164245-PRD4	DRIVE WHEEL COLOR INSERT, WITH ADHESIVE TAPE, PPW-RED-04(CHERRY BOMB)	1
H1	DGN164245-PPK3	DRIVE WHEEL COLOR INSERT, WITH ADHESIVE TAPE, PPW-PNK-03 (PRETTY IN PINK)	1
I1	DGN164245-PPK4	DRIVE WHEEL COLOR INSERT, WITH ADHESIVE TAPE, PPW-PNK-04(RASPBERRY BERET)	1
J1	DGN164245-PPR7	DRIVE WHEEL COLOR INSERT, WITH ADHESIVE TAPE, PPW-PRP-07(SUGAR PLUM)	1
K1	DGN164245-PPR5	DRIVE WHEEL COLOR INSERT, WITH ADHESIVE TAPE, PPW-PRP-05 (DEEP PURPLE)	1
L1	DGN164245-PBU10	DRIVE WHEEL COLOR INSERT, WITH ADHESIVE TAPE, PPW-BLU-10 (MIDNIGHT BLUE)	1
M1	DGN164245-PBU9	DRIVE WHEEL COLOR INSERT, WITH ADHESIVE TAPE, PPW-BLU-09 (ELECTRIC BLUE/TRUE BLUE)	1
N1	DGN164245-PBU11	DRIVE WHEEL COLOR INSERT, WITH ADHESIVE TAPE, PPW-BLU-11(BLUE JEAN)	1
O1	DGN164245-PGN11	DRIVE WHEEL COLOR INSERT, WITH ADHESIVE TAPE, PPW-GRN-11(GREEN MACHINE)	1
P1	DGN164245-PGN8	DRIVE WHEEL COLOR INSERT, WITH ADHESIVE TAPE, PPW-GRN-08 (MILITARY GREEN)	1
Q1	DGN164245-PGN7	DRIVE WHEEL COLOR INSERT, WITH ADHESIVE TAPE, PPW-GRN-07 (LIME LIGHT)	1
R1	DGN164245-PYL3	DRIVE WHEEL COLOR INSERT, WITH ADHESIVE TAPE, PPW-YEL-03 (YELLOW BLAZE/ORION YELLOW)	1
S1	DGN164245-PYL4	DRIVE WHEEL COLOR INSERT, WITH ADHESIVE TAPE, PPW-YEL-04(LEMON CRUSH)	1
T1	DGN164245-POR6	DRIVE WHEEL COLOR INSERT, WITH ADHESIVE TAPE, PPW-ORN-06 (ORANGE CRUSH)	1
U1	DGN164245-POR7	DRIVE WHEEL COLOR INSERT, WITH ADHESIVE TAPE, PPW-ORN-07(EVOLUTION ORANGE)	1
V1	DGN164245-WCB1	DRIVE WHEEL COLOR INSERT, WITH ADHESIVE TAPE, PWT-CBN-01 (CARBON FIBER)	1
W1	DGN164245-WCM7	DRIVE WHEEL COLOR INSERT, WITH ADHESIVE TAPE, PWT-CMO-07 (MILITARY DIGITAL CAMO)	1
X1	DGN164245-WFL2	DRIVE WHEEL COLOR INSERT, WITH ADHESIVE TAPE, PWT-FLG-02 (FADED GLORY)	1

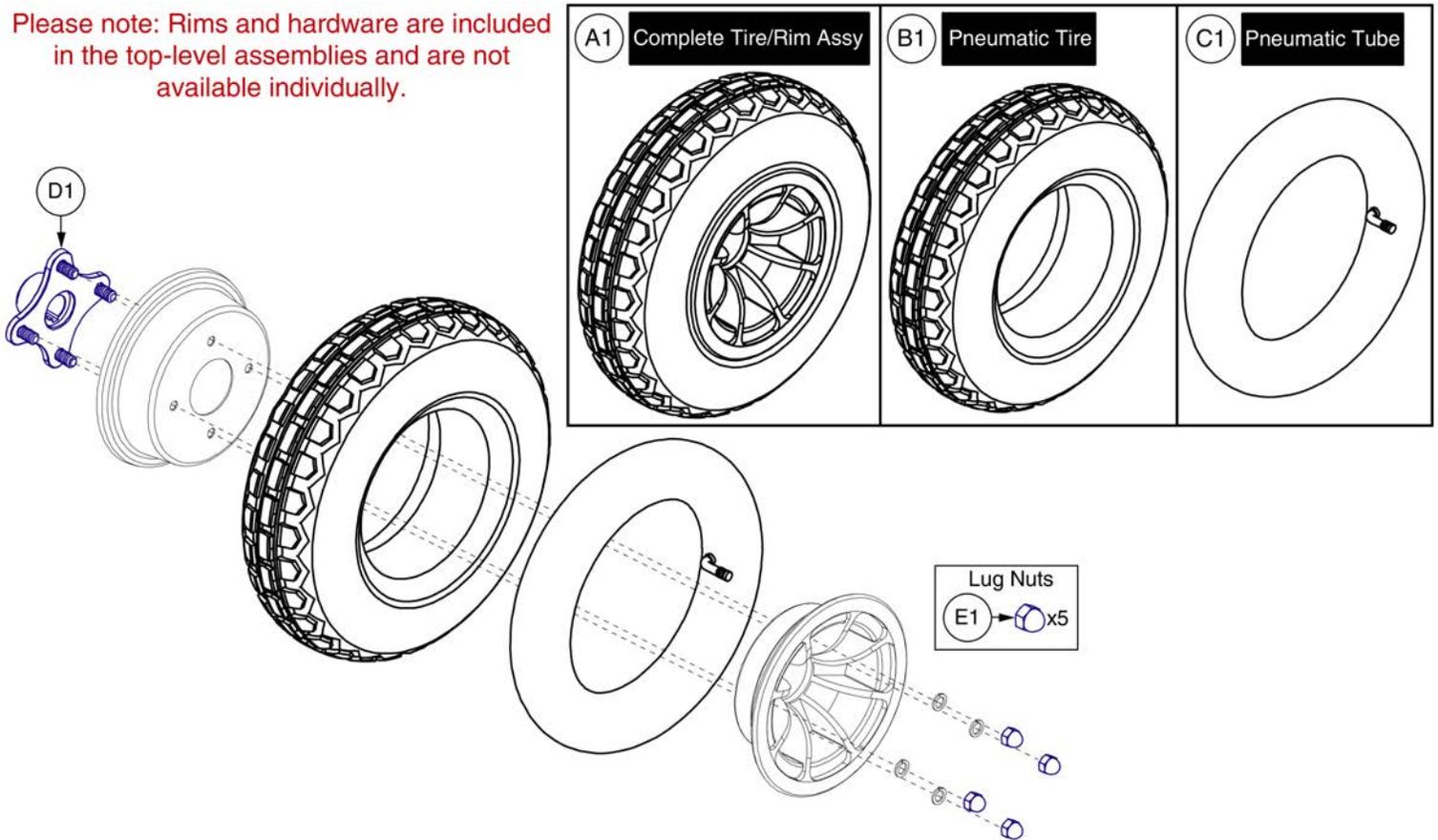
4-Spoke, 14" x 4" Drive Wheels (Knobby Tire)



Item	Part No.	Name	Qty
A1	WHL147601	WHEEL,ASSY,FLAT FREE,14" X 4" DRIVE,BLACK RIM/BLACK TIRE	1
B1	TIR8110019	TIRE,FLAT FREE,BLACK,14" OD,4" W,C166 KNOBBY TREAD,(GALLOP: 114292)	1
C1	MEC145470	HUB, W/STUDS, KNOBBY TIRE, LINIX SHAFT	1
D1	NUTACRN1005	NUT, HEX, ACORN, .375-24, GR 2, ZN	4

4-Spoke, 14" x 4" Drive Wheels (Knobby Tire)

Please note: Rims and hardware are included in the top-level assemblies and are not available individually.

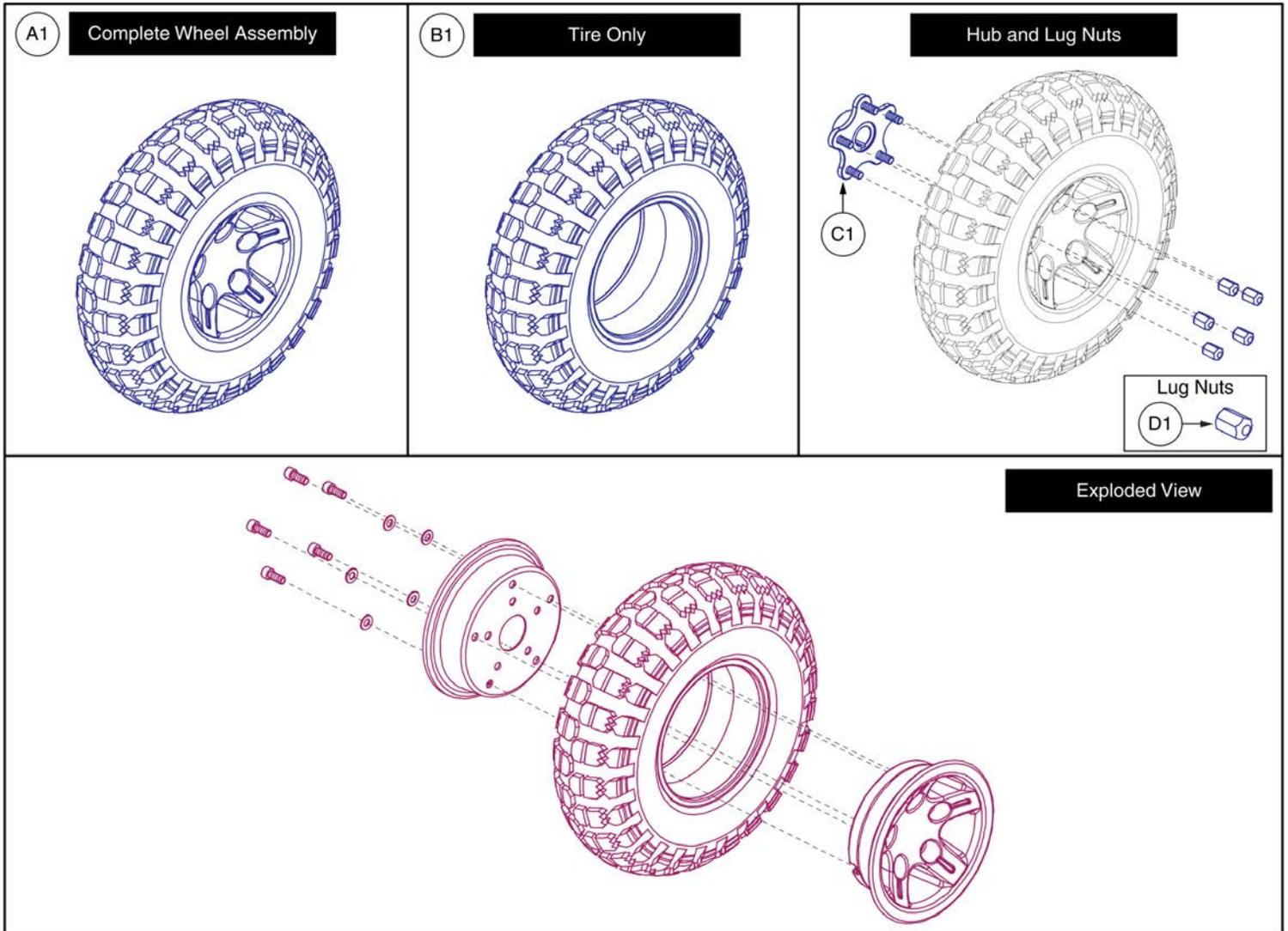


Item	Part No.	Name	Qty
A1	WHL147599	WHEEL,ASSY,PNEUMATIC,14" X 4" DRIVE,BLACK RIM/BLACK TIRE	1
B1	TIR8110017	TIRE,PNEUMATIC,BLACK,14" OD, 4" W,C166 KNOBBY TREAD,(GALLOP: RP265087)	1
C1	TUBSTND1043	TIRE,TUBE,4.00-6,90 DEGREE VALVE STEM,(TAG: 163265)	1
D1	MEC145470	HUB, W/STUDS, KNOBBY TIRE, LINIX SHAFT	1
E1	NUTACRN1005	NUT, HEX, ACORN, .375-24, GR 2, ZN	4

5-Spoke, 14" x 4" Drive Wheels (Knobby Tire)

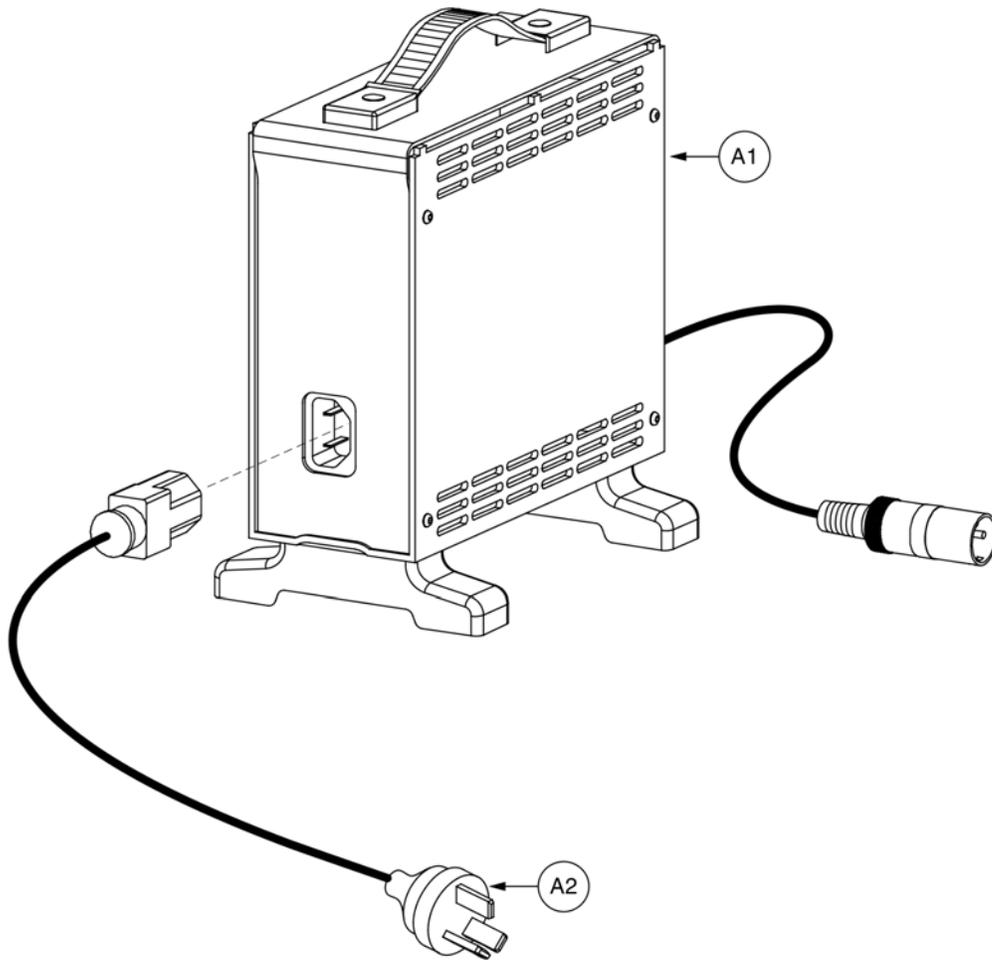
Please note:

- The 14" x 4" drive wheel with 5 spoke hub is used on the following models manufactured on or after 08/17/20: 4Front, Q6 Edge 3, Q6 Edge 2.0, Q6 Edge 2.0X
- Only serviceable parts contain callouts. The parts without callouts require the complete assembly to be selected.
- Contact Technical Service for more information.



Item	Part No.	Name	Qty
A1	WHL1903913	WHEEL ASSY, FLAT FREE BLACK 14 X 4 DRIVE BLACK RIM/BLACK TIRE, COMMUNITY USE	1
B1	TIR8110019	TIRE,FLAT FREE,BLACK,14" OD,4" W,C166 KNOBBY TREAD,(GALLOP: 114292)	1
C1	MEC145417	HUB ASSEMBLY	1
D1	DWR1005B049	NUT,LUG,ZINC,5/16-24,B-1005-049	5

15. Off-board Charger Assy

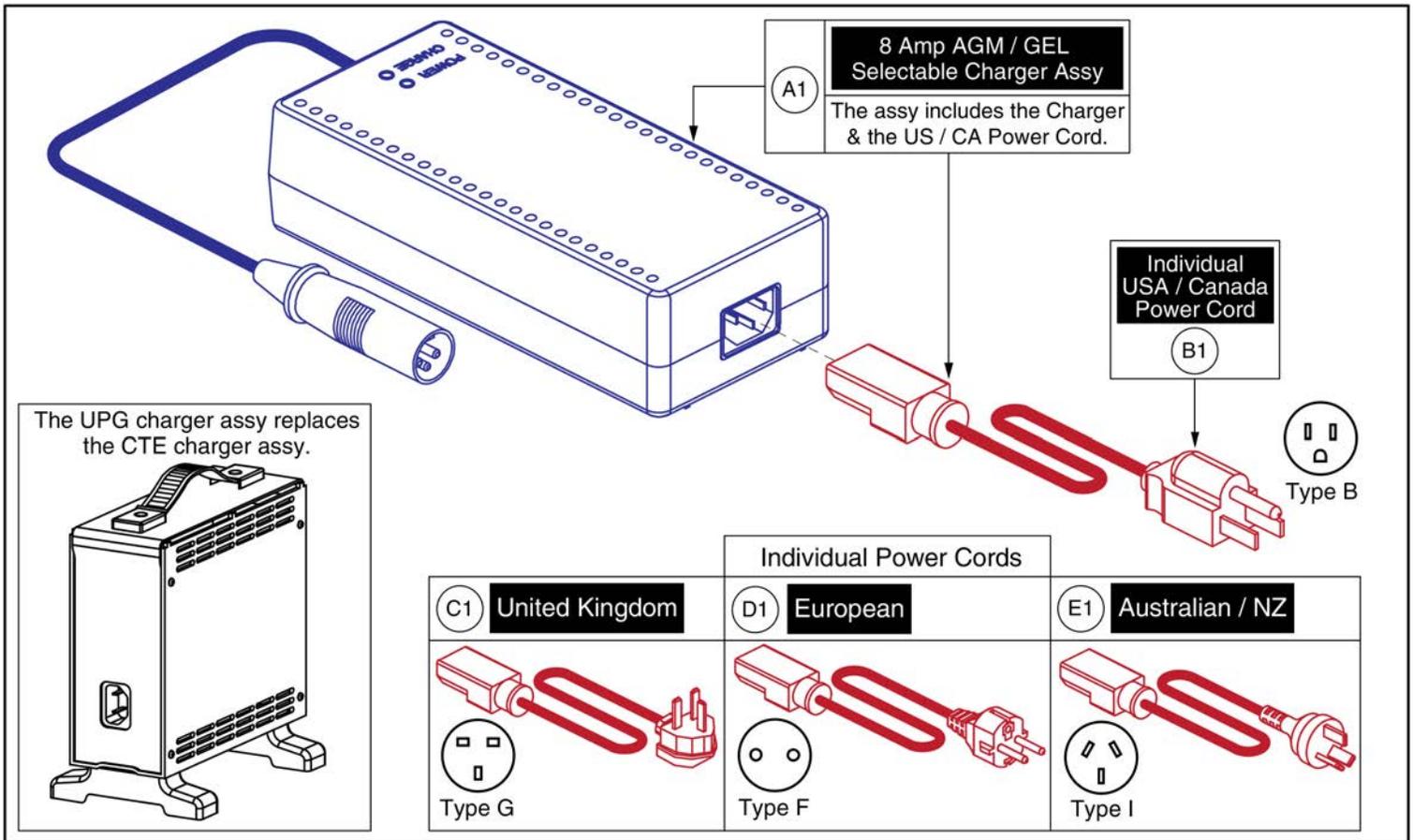


8 amp CTE Charger, Australia



Item	Part No.	Name	Qty
A1 - A3	ELEASMB5672	CHARGER,ASSY,OFFBOARD,LOW INHIBIT,110V-230V,8AMP,W/AUSTRALIA POWERCORD	1
A1		CHARGER,OFFBOARD,LOW INHIBIT,110V-230V,8AMP,H-1000-192,(CTE: CK84215000)	1
A2	DWR1000H174	ELECTRONIC,HARNES,AC POWER CORD,INSULATED BLADES,AUSTRALIA,H-1000-174	1
A3	DWR1235L520	DECAL,CAUTION,EXTENSION CORD/GROUNDING PRONG,L-1235-520	1

15. Off-board Charger Assy



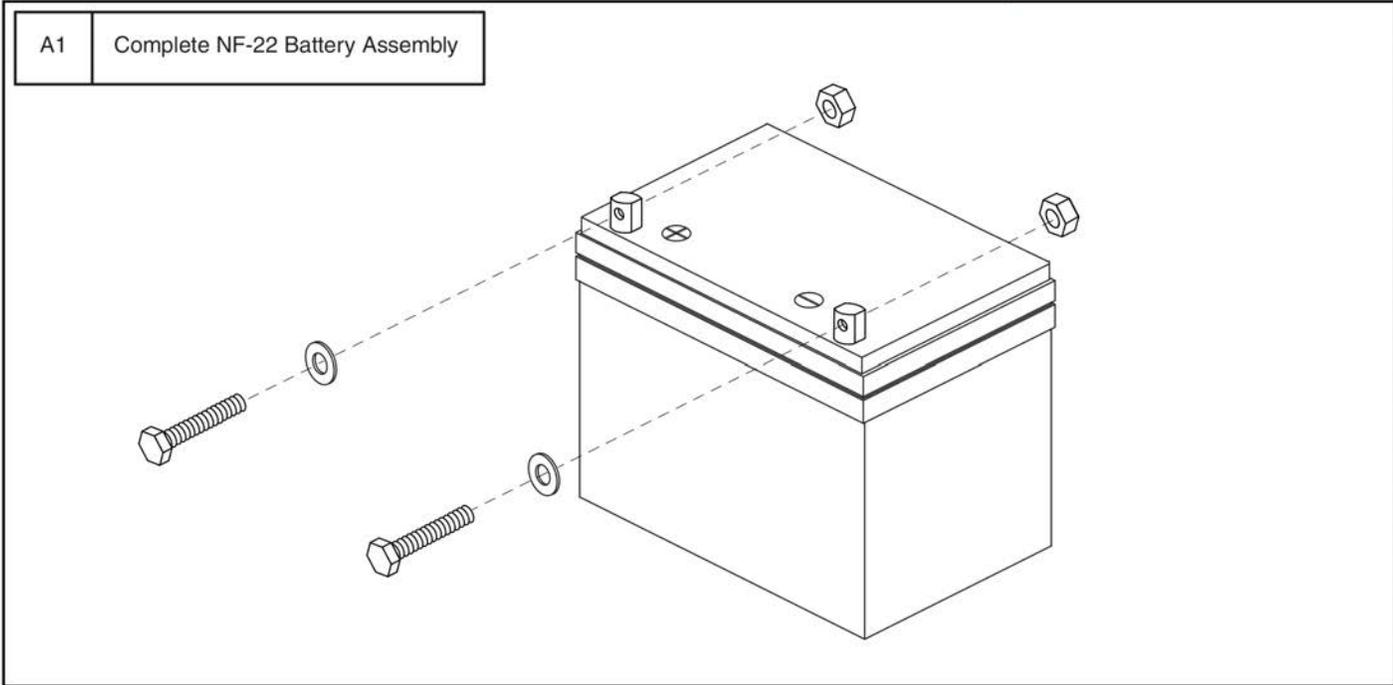
8 Amp UPG Charger Assy, AGM / GEL Selectable



Item	Part No.	Name	Qty
A1	ELE1803440	CHARGER, OFFBOARD, LOW INHIBIT, AC 100V-240V, DC 28.6-29.6V @8A, AGM/GEL SELECTABLE, WITH USA CORDSET	1
B1	HARUSHD1065	ELECTRONIC,HARNESS,POWER CORD,IEC - USA,H-1000-128	1
C1	HARUSHD2041	ELECTRONIC,HARNESS, POWER CORD,AC W/UK PLUG,H-1020-049	1
D1	HARUSHD2160	ELECTRONIC,HARNESS,POWER CORD,IEC - EUROPE PLUG	1
E1	DWR1000H174	ELECTRONIC,HARNESS,AC POWER CORD,INSULATED BLADES,AUSTRALIA,H-1000-174	1

16. Batteries

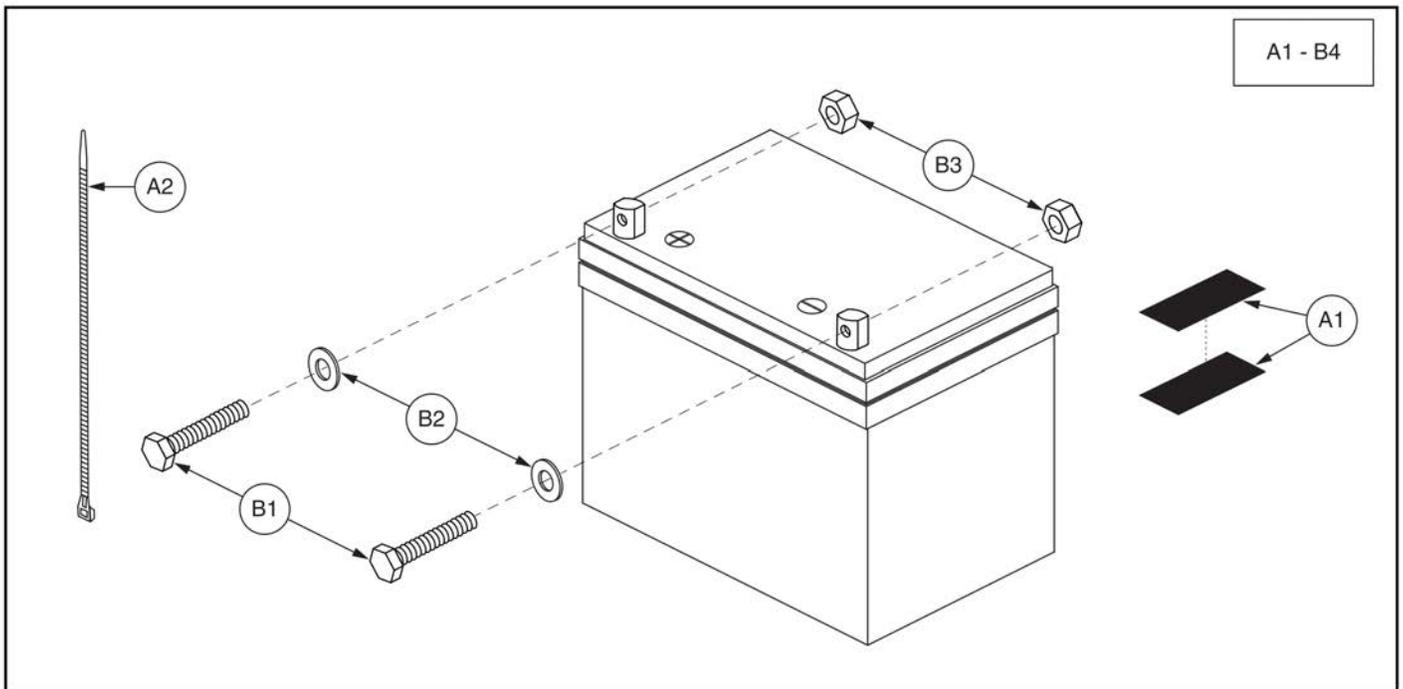
*** Please note that hardware is not available individually is needed.***





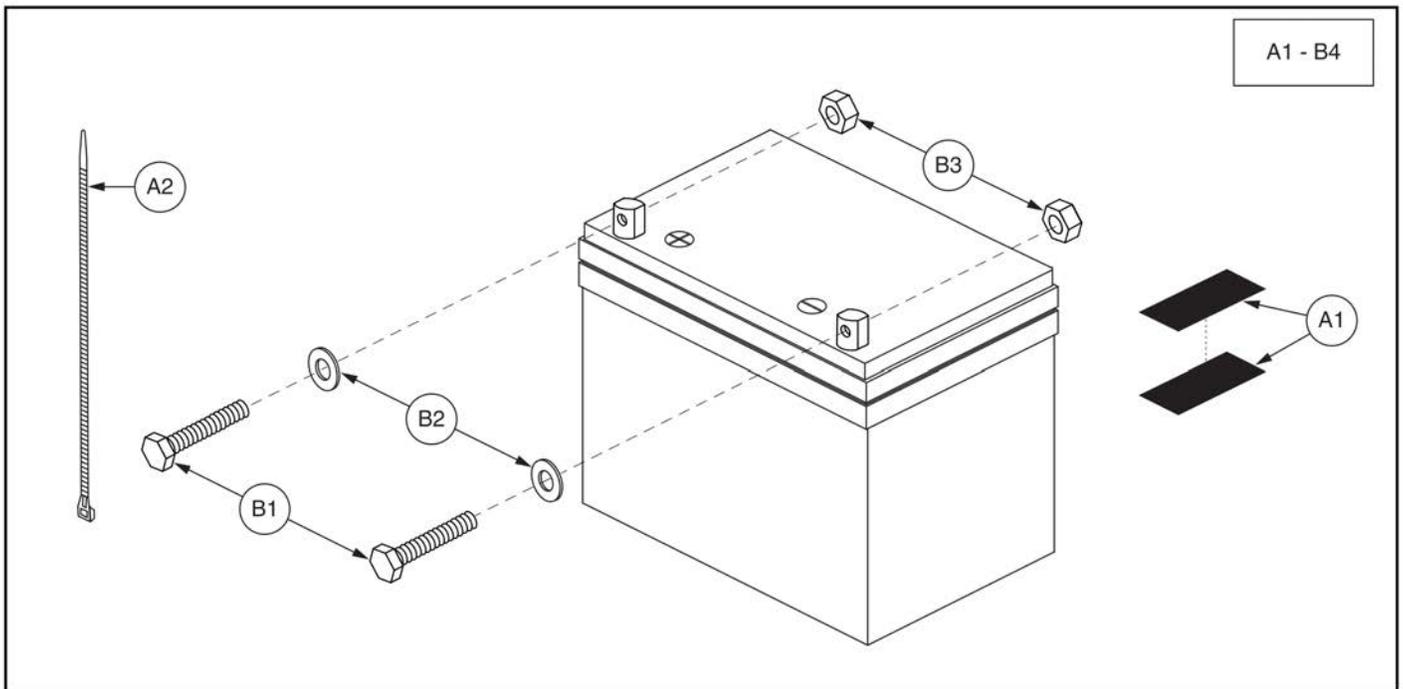
Item	Part No.	Name	Qty
A1	BAT121346	BATTERY,AGM,NF-22,H1000-139,(MK: M22NF SLD A H)	1

16. Batteries



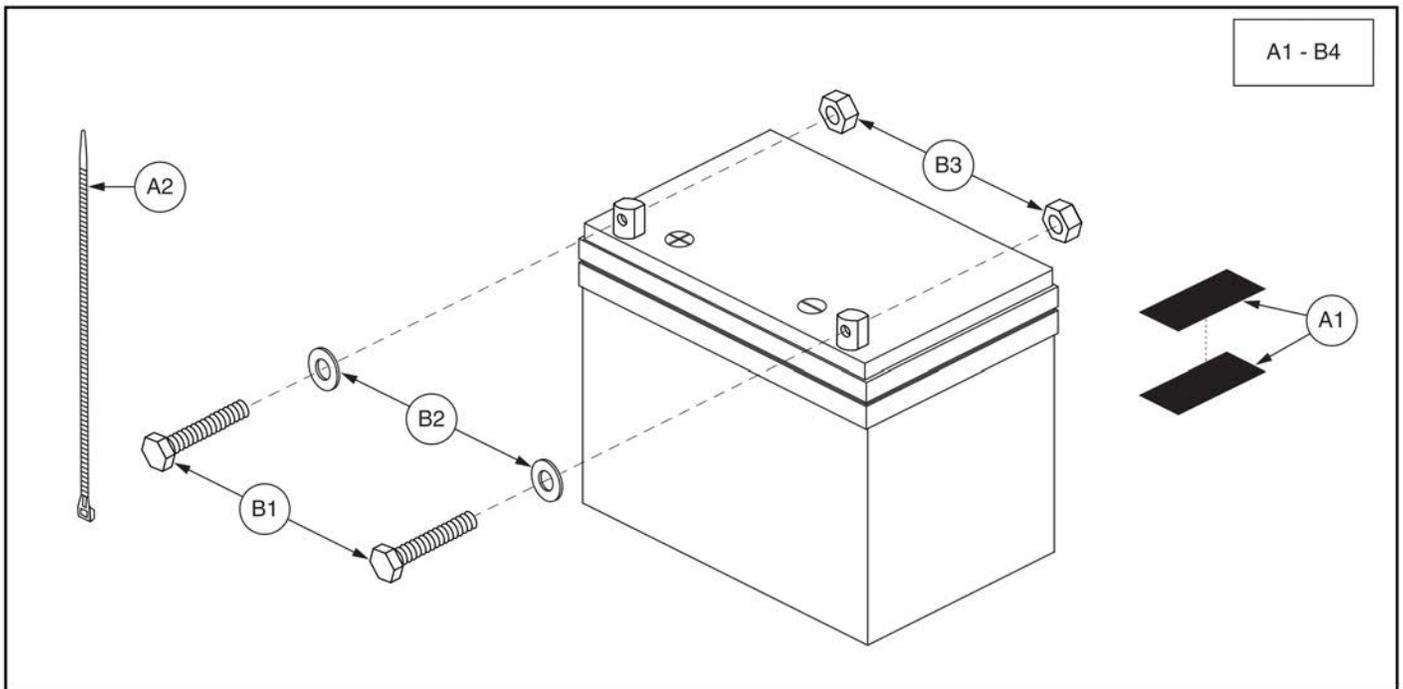
Item	Part No.	Name	Qty
A1 - B4	BATASMB1094	BATTERY,ASSY,GEL,NF-22,MK BATTERY,W/VELCRO & CABLE TIES	1
A1	HDW124834	REUSABLE FASTENER,HOOK & LOOP,BLACK,4" X 7",W/ADHESIVE BACK,#0115,B STOUT,SET	1
A2	PLSTIE1011	CABLE TIE,NYLON,48"L,HEAVY DUTY	1
B1 - B4	BATGEL1008	BATTERY,GEL,NF-22,H-1000-188,(MK BATTERY: M22NF SLDG)	1
B1	SCRHHCS1668	SCREW,HHCS,STAINLESS STEEL,5/16-18 X 1.00"	2
B2	WASLOCK1093	WASHER,LOCK,STAINLESS STEEL,0.3125" ID X 0.500" OD X 0.125"TH	2
B3	NUTSTD1020	NUT,HEX,STAINLESS STEEL,5/16-18	2
B4		DECAL,BATTERY & BATTERY CHARGER MANUFACTURER,L-1235-817	1

16. Batteries



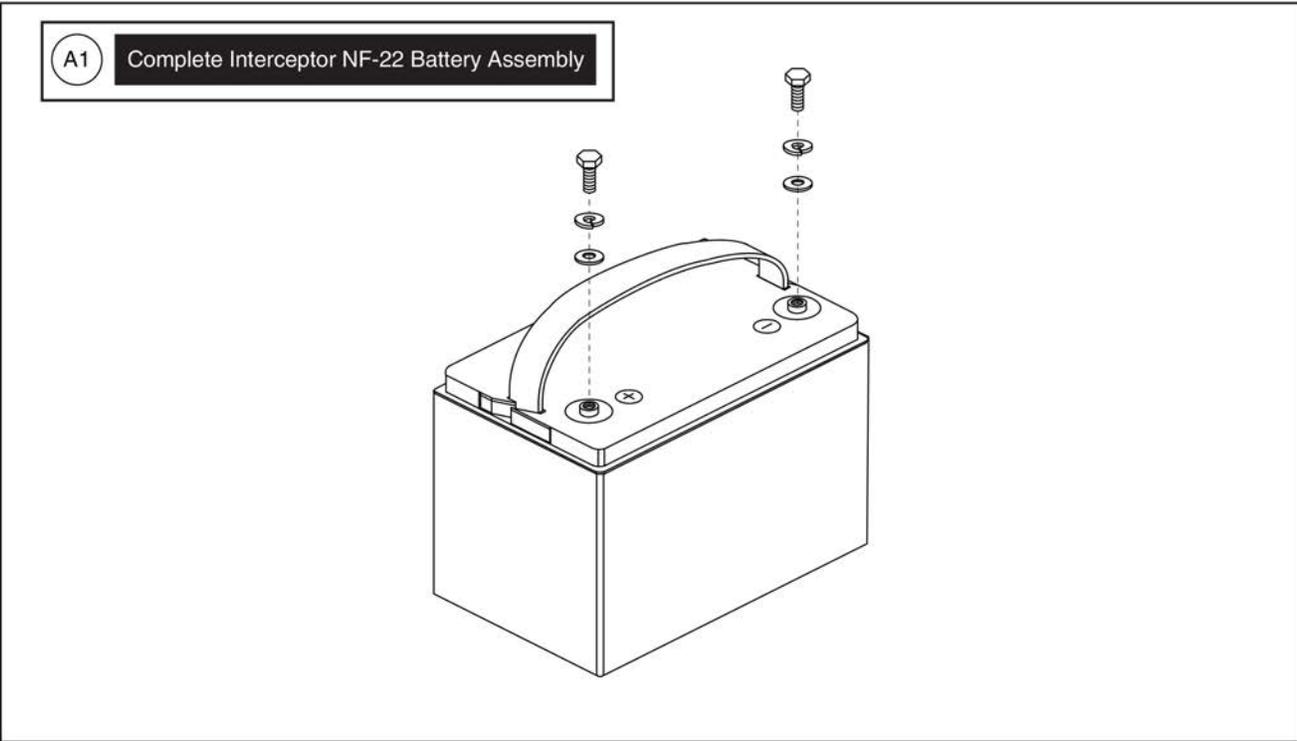
Item	Part No.	Name	Qty
A1 - B4		BATTERY,ASSY,SEALED,NF-22,W/VELCRO & CABLE TIES	1
A1	HDW124834	REUSABLE FASTENER,HOOK & LOOP,BLACK,4" X 7",W/ADHESIVE BACK,#0115,B STOUT,SET	1
A2	PLSTIE1011	CABLE TIE,NYLON,48"L,HEAVY DUTY	1
B1 - B4	BATLIQ1018	BATTERY,AGM,NF-22,H1000-139 - OBSOLETE	1
B1	SCRHHCS1668	SCREW,HHCS,STAINLESS STEEL,5/16-18 X 1.00"	2
B2	WASLOCK1093	WASHER,LOCK,STAINLESS STEEL,0.3125" ID X 0.500" OD X 0.125"TH	2
B3	NUTSTD1020	NUT,HEX,STAINLESS STEEL,5/16-18	2
B4		DECAL,BATTERY & BATTERY CHARGER MANUFACTURER,L-1235-817	1

16. Batteries



Item	Part No.	Name	Qty
A1 - B4	BATASMB1010	BATTERY,ASSY,GEL,NF-22,W/VELCRO & CABLE TIES	1
A1	HDW124834	REUSABLE FASTENER,HOOK & LOOP,BLACK,4" X 7",W/ADHESIVE BACK,#0115,B STOUT,SET	1
A2	PLSTIE1011	CABLE TIE,NYLON,48"L,HEAVY DUTY	1
B1 - B4	BATGEL1003	BATTERY,GEL,NF-22,H-1000-188	1
B1	SCRHHCS1668	SCREW,HHCS,STAINLESS STEEL,5/16-18 X 1.00"	2
B2	WASLOCK1093	WASHER,LOCK,STAINLESS STEEL,0.3125" ID X 0.500" OD X 0.125"TH	2
B3	NUTSTD1020	NUT,HEX,STAINLESS STEEL,5/16-18	2
B4		DECAL,BATTERY & BATTERY CHARGER MANUFACTURER,L-1235-817	1

16. Batteries





Item	Part No.	Name	Qty
A1	BAT1704613-P	BATTERY,PACKAGED,INTERCEPTOR,GEL,55AH,NF-22,(YAHENG: 6-EVF-55)	1

17.1. Swing-away, Version 3

Complete Swing-away Mount w/ Hardware				Please Note:	
Ref	Part Number	Mounting Hardware	Seating Type	- The complete assemblies A1 thru F1 include the swing-away joystick mount and the applicable joystick mounting hardware. - The contoured seat assemblies also include the armrest adapter K1. * PG Drives does NOT include Remote Plus. Contact Technical Service for more information.	
A1	ACC1908434	Q-Logic	Rehab		
B1	ACC1908435	Q-Logic	Contoured		
C1	ACC1908437	NE/NE+	Rehab		
D1	ACC1908438	NE/NE+	Contoured		
E1	ACC1908439	PG Drives*	Rehab		
F1	ACC1908440	PG Drives*	Contoured		

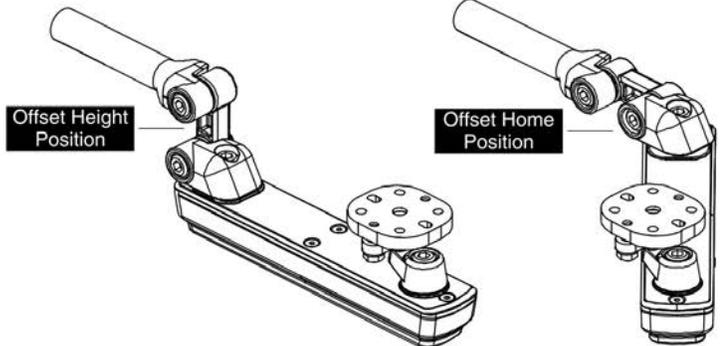
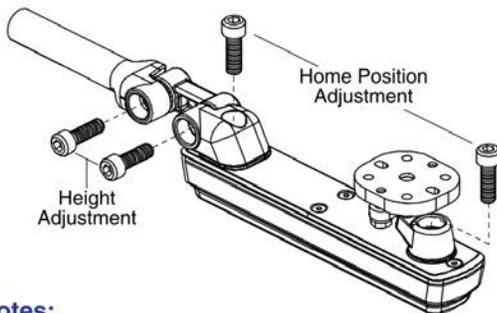
Mounting Hardware		
<p>NE / NE+</p>	<p>Q-Logic</p>	<p>Contoured Seat Armrest Adapter</p>
<p>PG Drives</p> <p>*Does not include Remote Plus Joysticks</p>		

Swing-away Joystick Mount

Not available individually. The complete assembly with hardware must be selected.

Adjustments

Height and Home Position Adjustments

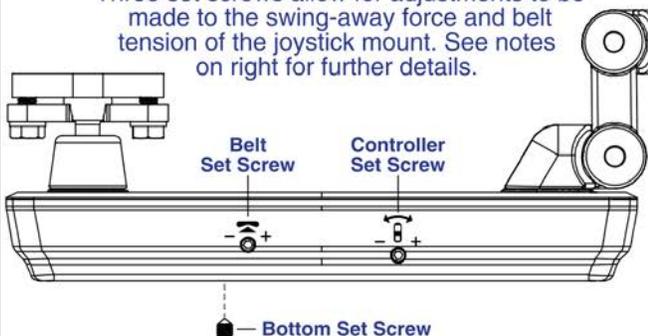


Notes:

- Loosen the appropriate screws to adjust the height or home position of the swing-away joystick mount.
- Each pivot can be adjusted independently in 15 Degree increments to allow for a wide range of positions and angles.
- The "Home" position refers to the orientation the joystick & mount rest while the chair is in use and the mount is not performing the swing-away action.

Swing-away Force Adjustment and Belt Tightening

Three set screws allow for adjustments to be made to the swing-away force and belt tension of the joystick mount. See notes on right for further details.



Set Screw:	Notes:
<p>Controller</p>	- Used to adjust the force needed to swing the joystick mount away. Force range depends on where the Bottom Set Screw is positioned.
<p>Bottom</p>	- Used to set the force range of the Controller Set Screw . Removed sets the range from 3 to 6lbs. Inserted sets the range from 5 to 8lbs.
<p>Belt</p>	- Used to adjust the internal belt tension. Turn inward 1/4 turn if the controller does not maintain the set orientation when swinging away or if the controller spins. - Note: This ONLY needs to be adjusted if the belt is loose and should be performed rarely.

Item	Part No.	Name	Qty
A1	ACC1908434	JOYSTICK MOUNTING BRACKET,ASSY,SWING AWAY,Q-LOGIC	1
B1	ACC1908435	JOYSTICK MOUNTING BRACKET,ASSY,SWING AWAY,Q-LOGIC CONTOURED SEAT	1
C1	ACC1908437	JOYSTICK MOUNTING BRACKET,ASSY,SWING AWAY,NE / NE PLUS	1
D1	ACC1908438	JOYSTICK MOUNTING BRACKET,ASSY,SWING AWAY,NE / NE PLUS CONTOURED SEAT	1
E1	ACC1908439	JOYSTICK MOUNTING BRACKET,ASSY,SWING AWAY,VSI / VR2 / GC3 / R-NET	1
F1	ACC1908440	JOYSTICK MOUNTING BRACKET,ASSY,SWING AWAY,VSI / VR2 / GC3 / R-NET CONTOURED SEAT	1
G1	DWR1111C002	SPACER,CURTIS NE/NE PLUS MOUNT BRACKET,C-1111-002	2
H1	SCRPPH1384	SCREW,PPH,BLACK ZINC,M5-.8 X 20MM	4
I1	SCRPPH1279	SCREW,PPH,BLACK ZINC CHROMATE,M5-.8 X 16MM	4
J1	SCRPPH1384	SCREW,PPH,BLACK ZINC,M5-.8 X 20MM	2
K1	MEC146133	ARMREST ADAPTER ASSEMBLY	1

17.2. Version 2. Swing-away/Multi-axis Joystick Brackets

Rehab Seating

Ref	Part Number	Bracket Type	Joystick Type	Side	Ref	Part Number	Bracket Type	Joystick Type	Side
A1	ACC142525	In-line SWA	Q-Logic	Right	N1	ACC142747	Offset SWA	NE/NE+	Left
B1	ACC142524	In-line SWA	Q-Logic	Left	O1	ACC142750	Offset SWA	PG Drives	Right
C1	ACC142527	In-line SWA	NE/NE+	Right	P1	ACC142749	Offset SWA	PG Drives	Left
D1	ACC142526	In-line SWA	NE/NE+	Left	Q1	ACC142752	Offset SWA	Shark	Right
E1	ACC142530	In-line SWA	PG Drives	Right	R1	ACC142751	Offset SWA	Shark	Left
F1	ACC142529	In-line SWA	PG Drives	Left	S1	ACC142746	Offset SWA	Standalone	Right
G1	ACC142533	In-line SWA	Shark	Right	T1	ACC142745	Offset SWA	Standalone	Left
H1	ACC142532	In-line SWA	Shark	Left	U1	ACC131216	Multi-Axis	Q-Logic	R/L
I1	ACC142739	In-line SWA	Standalone	Right	V1	ACC142528	Multi-Axis	NE/NE+	R/L
J1	ACC142738	In-line SWA	Standalone	Left	W1	ACC142531	Multi-Axis	PG Drives	R/L
K1	ACC142743	Offset SWA	Q-Logic	Right	X1	ACC142534	Multi-Axis	Shark	R/L
L1	ACC142742	Offset SWA	Q-Logic	Left	Y1	ACC142740	Multi-Axis	Standalone	R/L
M1	ACC142748	Offset SWA	NE/NE+	Right					

PG Drives does not include Remote Plus Joysticks

Item	Part No.	Name	Qty
A1	ACC142525	JOYSTICK MOUNT,ASSY,SWING AWAY,INLINE,RIGHT,Q-LOGIC 2	1
B1	ACC142524	JOYSTICK MOUNTING BRACKET,ASSY,SWING AWAY,INLINE,LEFT,Q-LOGIC 2	1
C1	ACC142527	JOYSTICK MOUNT,ASSY,SWING AWAY,INLINE,RIGHT,NE/NE PLUS	1
D1	ACC142526	JOYSTICK MOUNT,ASSY,SWING AWAY,INLINE,LEFT,NE/NE PLUS	1
E1	ACC142530	JOYSTICK MOUNT,ASSY,SWING AWAY,INLINE,RIGHT,PG DRIVES	1
F1	ACC142529	JOYSTICK MOUNT,ASSY,SWING AWAY,INLINE,LEFT,PG DRIVES	1
G1	ACC142533	JOYSTICK MOUNT,ASSY,SWING AWAY,INLINE,RIGHT,SHARK	1
H1	ACC142532	JOYSTICK MOUNT,ASSY,SWING AWAY,INLINE,LEFT,SHARK	1
I1	ACC142739	JOYSTICK MOUNT,ASSY,SWING AWAY,INLINE,RIGHT,STANDALONE	1
J1	ACC142738	JOYSTICK MOUNT,ASSY,SWING AWAY,INLINE,LEFT,STANDALONE	1
K1	ACC142743	JOYSTICK MOUNT,ASSY,SWING AWAY,OFFSET,RIGHT,Q-LOGIC	1
L1	ACC142742	JOYSTICK MOUNT,ASSY,SWING AWAY,OFFSET,LEFT,Q-LOGIC	1
M1	ACC142748	JOYSTICK MOUNT,ASSY,SWING AWAY,OFFSET,RIGHT,NE/NE PLUS	1
N1	ACC142747	JOYSTICK MOUNT,ASSY,SWING AWAY,OFFSET,LEFT,NE/NE PLUS	1
O1	ACC142750	JOYSTICK MOUNT,ASSY,SWING AWAY,OFFSET,RIGHT,PG DRIVES	1
P1	ACC142749	JOYSTICK MOUNT,ASSY,SWING AWAY,OFFSET,LEFT,PG DRIVES	1
Q1	ACC142752	JOYSTICK MOUNT,ASSY,SWING AWAY,OFFSET,RIGHT,SHARK	1
R1	ACC142751	JOYSTICK MOUNT,ASSY,SWING AWAY,OFFSET,LEFT,SHARK	1
S1	ACC142746	JOYSTICK MOUNT,ASSY,SWING AWAY,OFFSET,RIGHT,STANDALONE	1
T1	ACC142745	JOYSTICK MOUNT,ASSY,SWING AWAY,OFFSET,LEFT,STANDALONE	1
U1	ACC131216	JOYSTICK MOUNT,ASSY,MULTI-AXIS,Q-LOGIC	1
V1	ACC142528	JOYSTICK MOUNT,ASSY,MULTI-AXIS,NE/NE PLUS	1
W1	ACC142531	JOYSTICK MOUNT,ASSY,MULTI-AXIS,PG DRIVES	1
X1	ACC142534	JOYSTICK MOUNT,ASSY,MULTI-AXIS,SHARK	1
Y1	ACC142740	JOYSTICK MOUNT,ASSY,MULTI-AXIS,STANDALONE	1

17.2. Version 2. Swing-away/Multi-axis Joystick Brackets

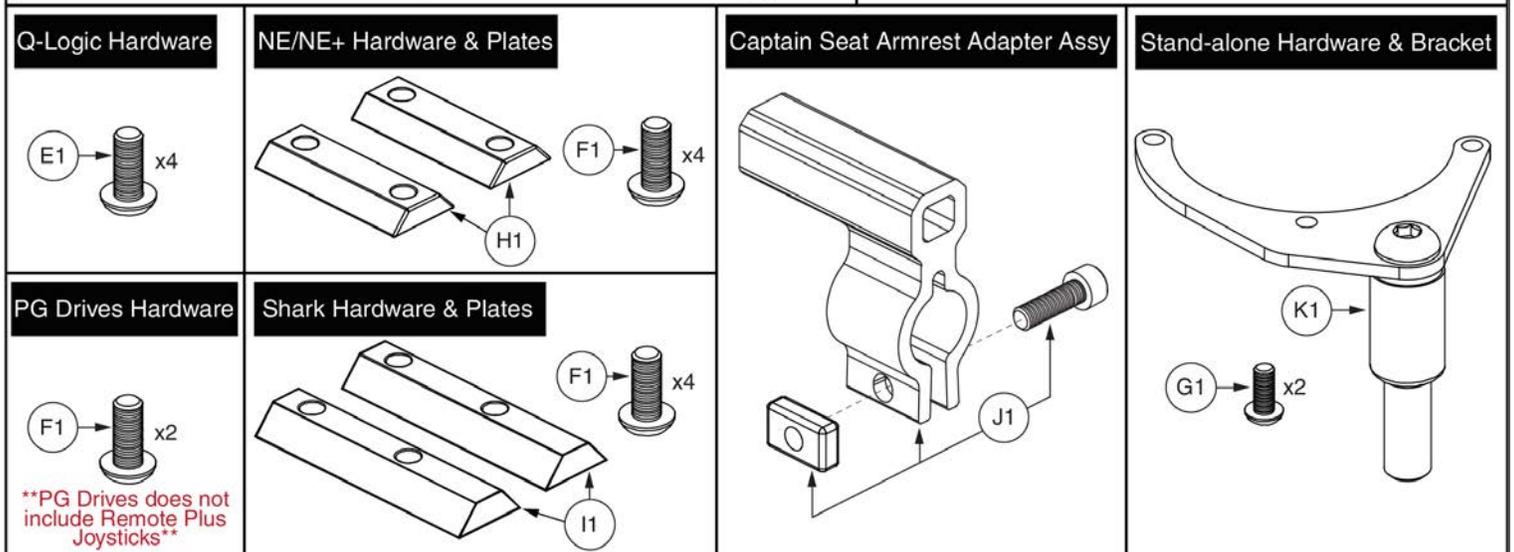
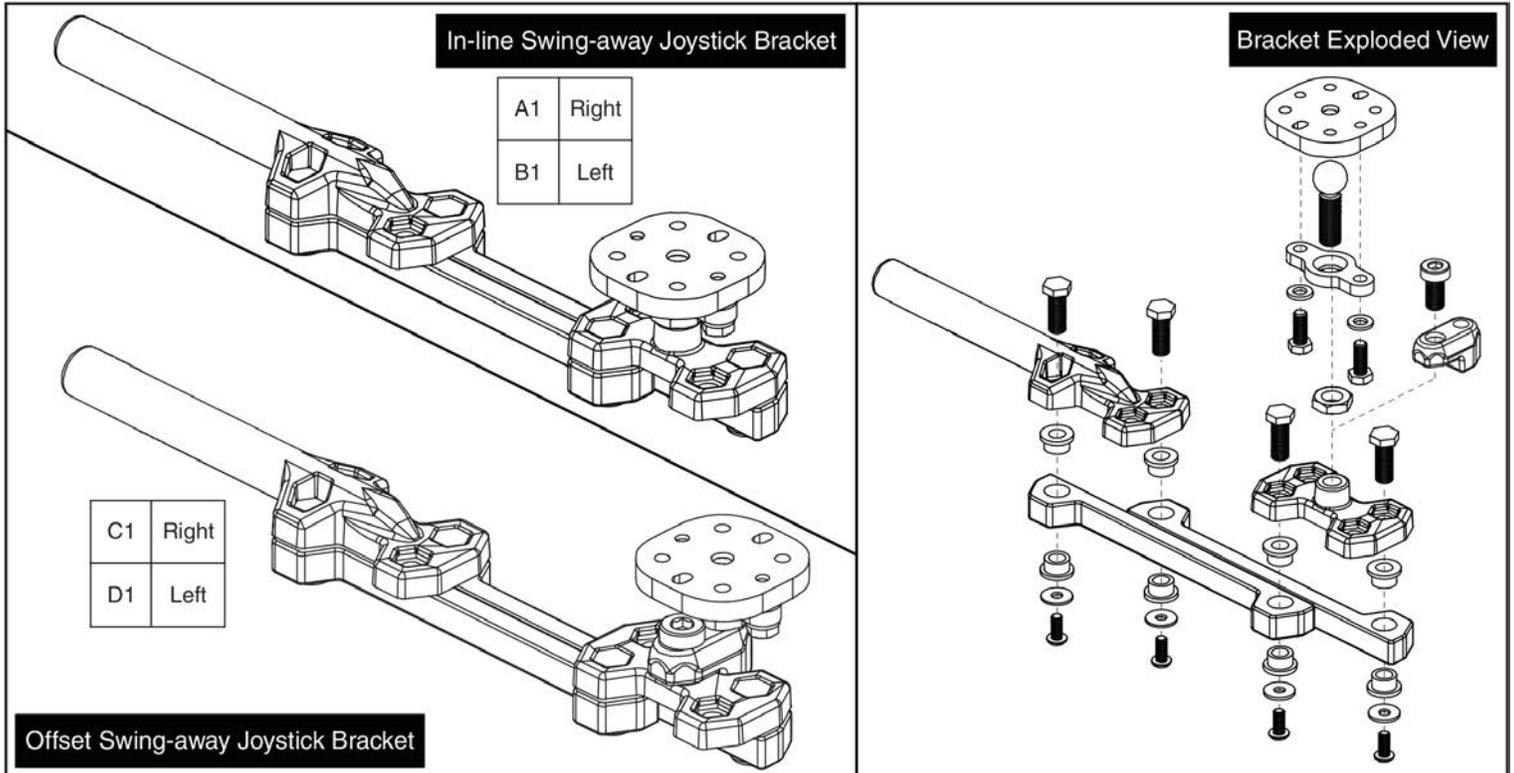
Captain Seating

Ref	Part Number	Bracket Type	Joystick Type	Side	Ref	Part Number	Bracket Type	Joystick Type	Side
A1	ACC148357	In-line SWA	Q-Logic	Right	I1	ACC148359	Offset SWA	Q-Logic	Right
B1	ACC148356	In-line SWA	Q-Logic	Left	J1	ACC148358	Offset SWA	Q-Logic	Left
C1	ACC148361	In-line SWA	NE/NE+	Right	K1	ACC148363	Offset SWA	NE/NE+	Right
D1	ACC148360	In-line SWA	NE/NE+	Left	L1	ACC148362	Offset SWA	NE/NE+	Left
E1	ACC148365	In-line SWA	PG Drives	Right	M1	ACC148367	Offset SWA	PG Drives	Right
F1	ACC148364	In-line SWA	PG Drives	Left	N1	ACC148366	Offset SWA	PG Drives	Left
G1	ACC148369	In-line SWA	Shark	Right	O1	ACC148371	Offset SWA	Shark	Right
H1	ACC148368	In-line SWA	Shark	Left	P1	ACC148370	Offset SWA	Shark	Left

PG Drives does not include Remote Plus Joysticks

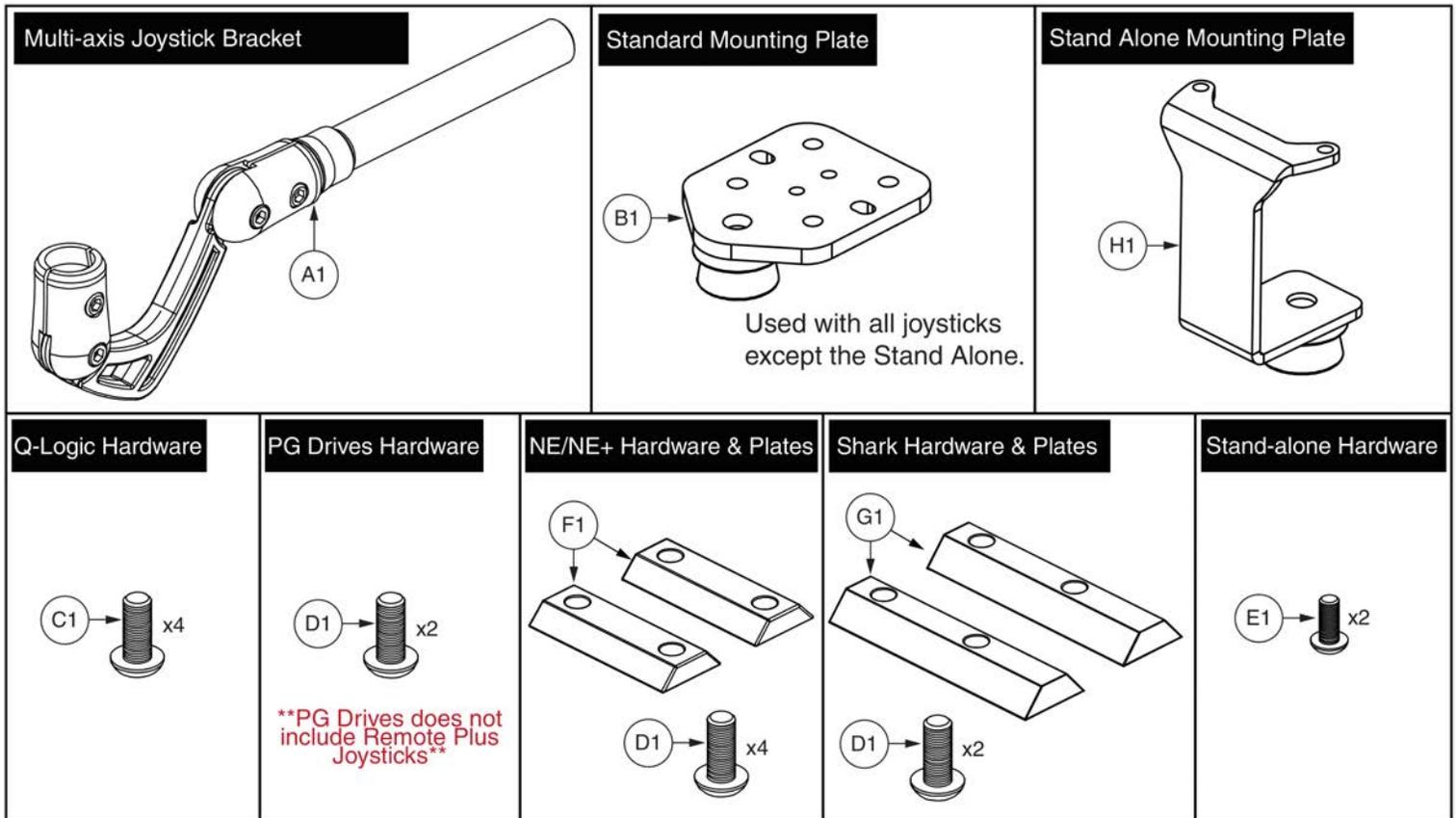
Item	Part No.	Name	Qty
A1	ACC148357	JOYSTICK MOUNTING BRACKET,ASSY,SWING AWAY,INLINE,RIGHT,Q-LOGIC,CAPTAINS SEAT	1
B1	ACC148356	JOYSTICK MOUNTING BRACKET,ASSY,SWING AWAY,INLINE,LEFT,Q-LOGIC,CAPTAINS SEAT	1
C1	ACC148361	JOYSTICK MOUNTING BRACKET,ASSY,SWING AWAY,INLINE,RIGHT,NE/NE PLUS,CAPTAINS SEAT	1
D1	ACC148360	JOYSTICK MOUNTING BRACKET,ASSY,SWING AWAY,INLINE,LEFT,NE/NE PLUS,CAPTAINS SEAT	1
E1	ACC148365	JOYSTICK MOUNTING BRACKET,ASSY,SWING AWAY,INLINE,RIGHT,VSI/VR2/GC3/R-NET,CAPTAINS SEAT	1
F1	ACC148364	JOYSTICK MOUNTING BRACKET,ASSY,SWING AWAY,INLINE,LEFT,VSI/VR2/GC3/R-NET,CAPTAINS SEAT	1
G1	ACC148369	JOYSTICK MOUNTING BRACKET,ASSY,SWING AWAY,INLINE,RIGHT,SHARK,CAPTAINS SEAT	1
H1	ACC148368	JOYSTICK MOUNTING BRACKET,ASSY,SWING AWAY,INLINE,LEFT,SHARK,CAPTAINS SEAT	1
I1	ACC148359	JOYSTICK MOUNTING BRACKET,ASSY,SWING AWAY,OFFSET,RIGHT,Q-LOGIC,CAPTAINS SEAT	1
J1	ACC148358	JOYSTICK MOUNTING BRACKET,ASSY,SWING AWAY,OFFSET,LEFT,Q-LOGIC,CAPTAINS SEAT	1
K1	ACC148363	JOYSTICK MOUNTING BRACKET,ASSY,SWING AWAY,OFFSET,RIGHT,NE/NE PLUS,CAPTAINS SEAT	1
L1	ACC148362	JOYSTICK MOUNTING BRACKET,ASSY,SWING AWAY,OFFSET,LEFT,NE/NE PLUS,CAPTAINS SEAT	1
M1	ACC148367	JOYSTICK MOUNTING BRACKET,ASSY,SWING AWAY,OFFSET,RIGHT,VSI/VR2/GC3/R-NET,CAPTAINS SEAT	1
N1	ACC148366	JOYSTICK MOUNTING BRACKET,ASSY,SWING AWAY,OFFSET,LEFT,VSI/VR2/GC3/R-NET,CAPTAINS SEAT	1
O1	ACC148371	JOYSTICK MOUNTING BRACKET,ASSY,SWING AWAY,OFFSET,RIGHT,SHARK,CAPTAINS SEAT	1
P1	ACC148370	JOYSTICK MOUNTING BRACKET,ASSY,SWING AWAY,OFFSET,LEFT,SHARK,CAPTAINS SEAT	1

17.2. Version 2. Swing-away/Multi-axis Joystick Brackets



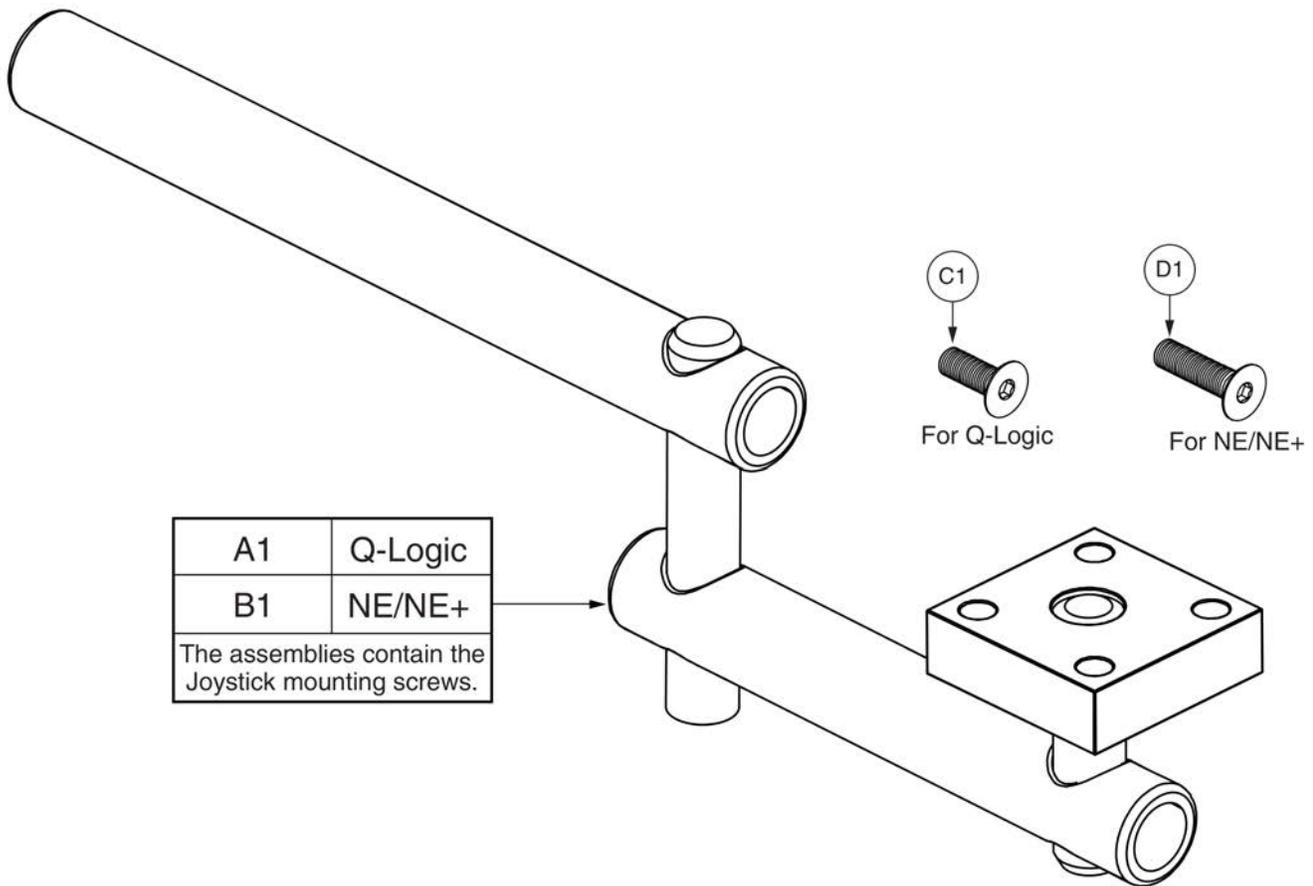
Item	Part No.	Name	Qty
A1	ACC131586	SWING AWAY JOYSTICK MOUNT,ASSY,INLINE,RIGHT	1
B1	ACC124921	SWING AWAY JOYSTICK MOUNT,ASSY,INLINE,LEFT	1
C1	MEC1712220	SWING-AWAY ASSEMBLY, EXTENDED OFFSET, RIGHT	1
D1	MEC1712217	SWING-AWAY ASSEMBLY, EXTENDED OFFSET, LEFT	1
E1	SCRPPH1279	SCREW,PPH,BLACK ZINC CHROMATE,M5-.8 X 16MM	1
F1	SCRPPH1384	SCREW,PPH,BLACK ZINC,M5-.8 X 20MM	1
G1	SCRPPH1036	SCREW, PAN HEAD, TYPE H, M4X0.7 X 8, FT, ISO 7045, CL 4.8, BZ	1
H1	DWR1111C002	SPACER,CURTIS NE/NE PLUS MOUNT BRACKET,C-1111-002	2
I1	DWR1010B089	SPACER,FLIGHT MOUNT BRACKET,B-1010-089	2
J1	MEC146133	ARMREST ADAPTER ASSEMBLY	1
K1	MEC142426	MOUNTING BRACKET,ASSY,STAND ALONE JOYSTICK	1

17.2. Version 2. Swing-away/Multi-axis Joystick Brackets



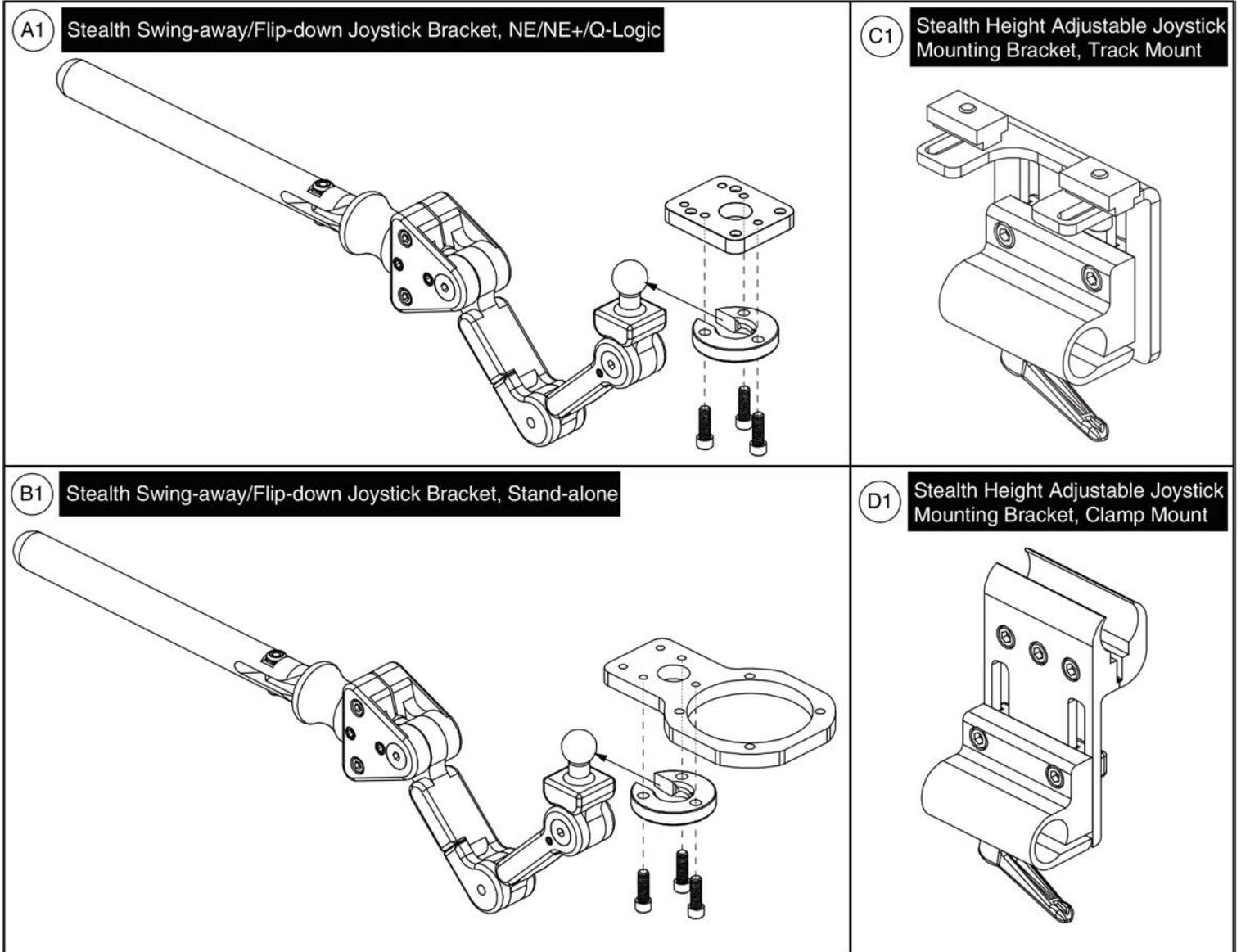
Item	Part No.	Name	Qty
A1	ACC124132	MULTI-AXIS JOYSTICK ASSEMBLY	1
B1	MEC124133	MULTI-AXIS JOYSTICK PLATE WELDMENT	1
C1	SCRPPH1097	SCREW,PPH,BLACK ZINC,M5-.8 X 12MM	1
D1	SCRPPH1384	SCREW,PPH,BLACK ZINC,M5-.8 X 20MM	1
E1	SCRPPH1036	SCREW, PAN HEAD, TYPE H, M4X0.7 X 8, FT, ISO 7045, CL 4.8, BZ	1
F1	DWR1111C002	SPACER,CURTIS NE/NE PLUS MOUNT BRACKET,C-1111-002	2
G1	DWR1010B089	SPACER,FLIGHT MOUNT BRACKET,B-1010-089	2
H1	MEC138180	STAND ALONE WELDMENT	1

17.3. Retract 4 Swing-away Joystick Bracket



Item	Part No.	Name	Qty
A1	MEC138860	SWING AWAY JOYSTICK MOUNT,ASSY,RETRACT 4,Q-LOGIC	1
B1	MEC138876	SWING AWAY JOYSTICK MOUNT,ASSY,RETRACT 4,NE/NE PLUS	1
C1	SCRSFH1005	SCREW,SHFH,BLACK ZINC,M5-.8 X 14MM	4
D1	SCRSHFH1053	SCREW,SHFH,BLACK ZINC,M5-.8 X 20MM	4

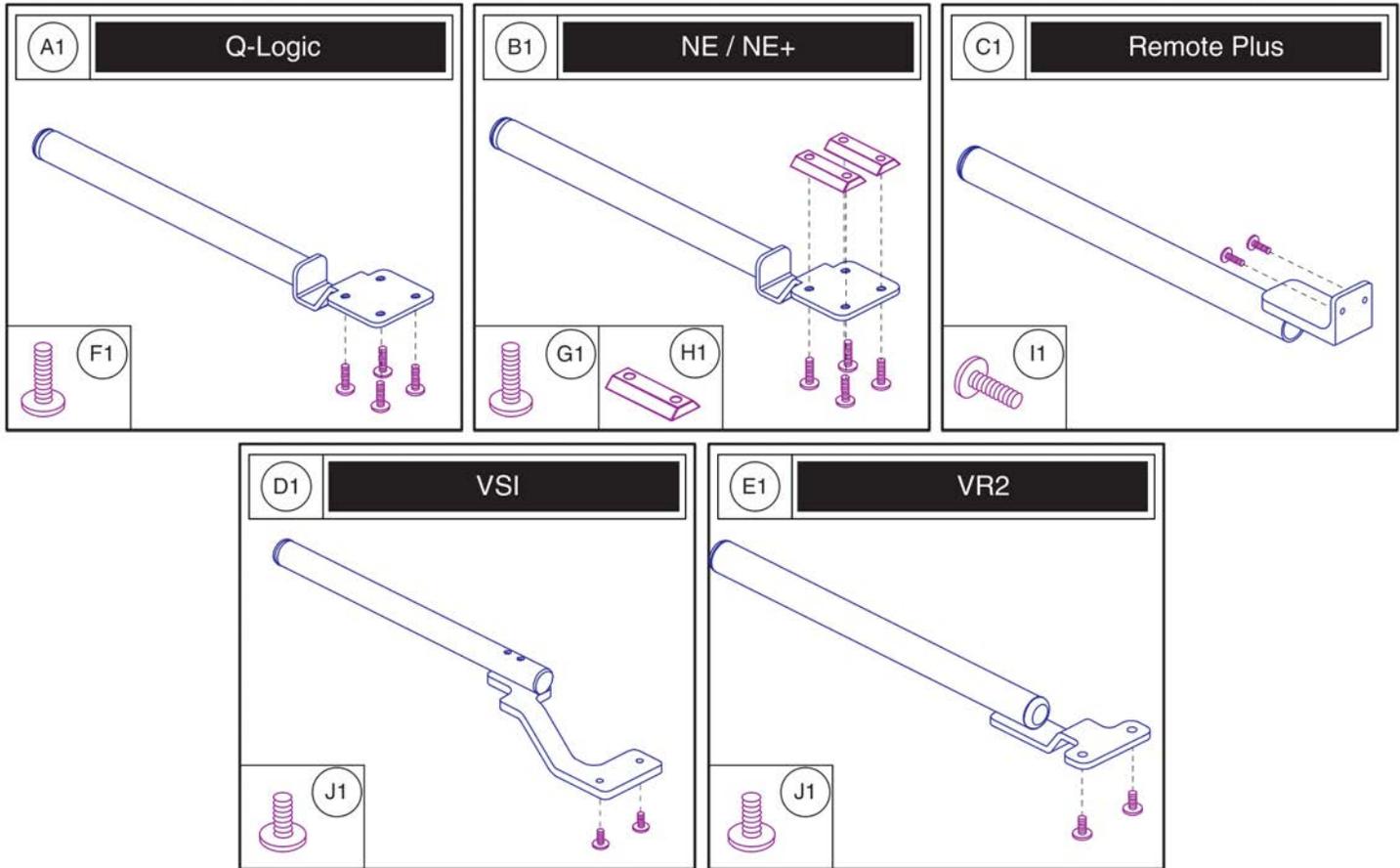
17.4. Stealth Swing-away / Flip-down Joystick Bracket



Item	Part No.	Name	Qty
A1	ST-TWBM480QL-Q	JOYSTICK MOUNTING BRACKET,ASSY,SWING AWAY/FLIP DOWN,NE/NE PLUS/Q-LOGIC,W/MOUNTING HARDWARE	1
B1	ST-TWBM480CJ-Q	JOYSTICK MOUNTING BRACKET,ASSY,SWING AWAY/FLIP DOWN,STANDALONE,W/MOUNTING HARDWARE	1
C1	ST-ARM250T-Q	JOYSTICK MOUNT,ASSY,HEIGHT ADJUSTABLE,W/TRACK HARDWARE	1
D1	ST-ARM250C-Q	JOYSTICK MOUNT,ASSY,HEIGHT ADJUSTABLE,W/CLAMP HARDWARE	1

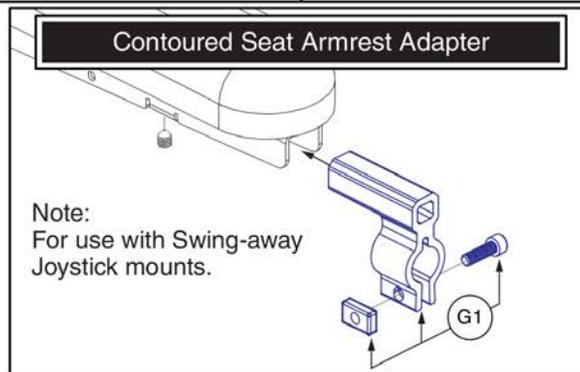
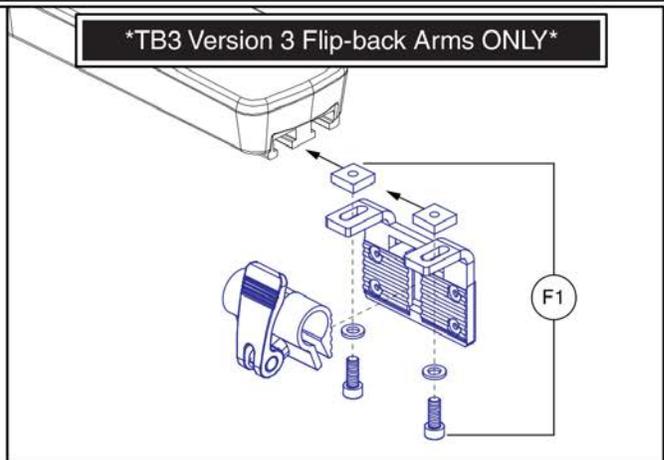
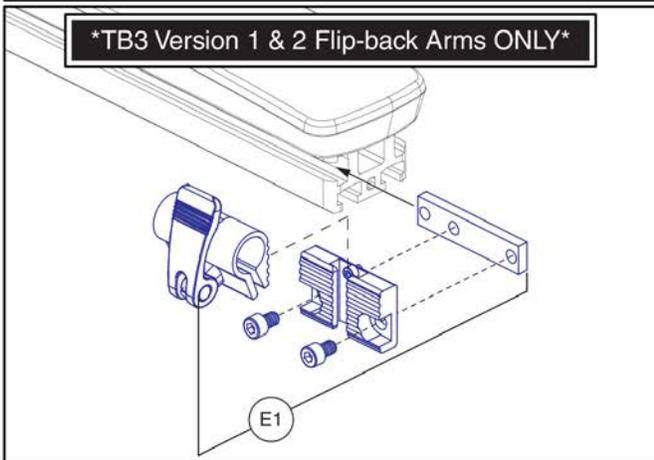
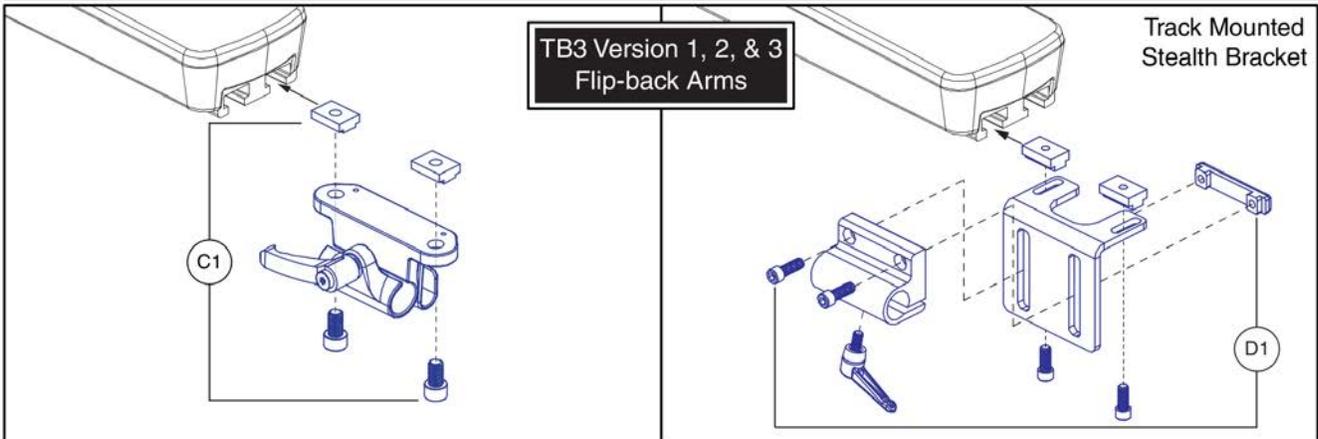
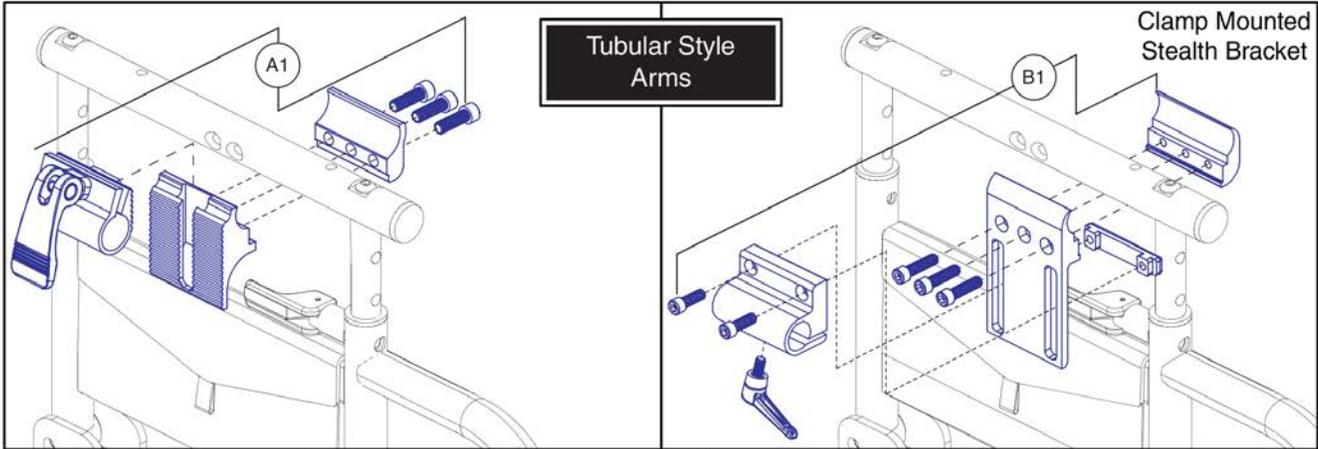
17.5. Fixed Inline Joystick Brackets

Please note: The mounting hardware shown is included with the top level assy's A1 - E1.



Item	Part No.	Name	Qty
A1	FRMASMB10617	JOYSTICK MOUNTING BRACKET,ASSY,CURTIS,INLINE	1
B1	FRMASMB12744	JOYSTICK MOUNTING BRACKET,ASSY,NE/NE PLUS CONTROLLER,INLINE	1
C1	FRMASMB2066	FIXED INLINE JOYSTICK MOUNT,ASSY,REMOTE PLUS	1
D1	FRMASMB4767	JOYSTICK MOUNTING BRACKET,ASSY,VSI CONTROLLER,INLINERIGHT,C-1010-193	1
E1	FRMASMB9532	JOYSTICK MOUNTING BRACKET,ASSY,GC/VR2 CONTROLLER,INLINE	1
F1	SCRSHFH1015	SCREW,SHFH,BLACK ZINC,M5-.8 X 12MM,GRADE 10.9	4
G1	SCRSHFH1053	SCREW,SHFH,BLACK ZINC,M5-.8 X 20MM	4
H1	DWR1111C002	SPACER,CURTIS NE/NE PLUS MOUNT BRACKET,C-1111-002	2
I1	SCRPPH1006	SCREW,PPH,BLACK ZINC,8-32 X 0.500",GRADE 2	2
J1	SCRPPH1122	SCREW,PPH,BLACK ZINC,M5-.8 X 18MM	2

17.6. Joystick Bracket Receivers



Item	Part No.	Name	Qty
A1	FRMASMB16062	JOYSTICK RECEIVER MOUNT,ASSY,UNIVERSAL,ADJUSTABLE BLOCK,D-1000-313	1
B1	ST-ARM250C-Q	JOYSTICK MOUNT,ASSY,HEIGHT ADJUSTABLE,W/CLAMP HARDWARE	1
C1	MEC1809294	JOYSTICK RECEIVER MOUNT,ASSY,W/MOUNTING HARDWARE,ADJUSTABLE HANDLE	1
D1	ST-ARM250T-Q	JOYSTICK MOUNT,ASSY,HEIGHT ADJUSTABLE,W/TRACK HARDWARE	1
E1	ACC123525	JOYSTICK RECEIVER MOUNT,ASSY,W/ACCESSORY BLOCK,TRUBALANCE 3	1
F1	ACC1806853	JOYSTICK RECEIVER MOUNT,ASSY,W/MOUNTING HARDWARE,TRU-BALANCE 3 ARMREST	1
G1	MEC146133	ARMREST ADAPTER ASSEMBLY	1

18.1. Owner's Packages



Owner's Package

Owner's Package, Australia, Q6 Edge 2.0



Item	Part No.	Name	Qty
N/A	INF147463	OWNER'S PACKAGE,ASSY,Q6EDGE 2.0,AUSTRALIA	1
N/A		MANUAL,WARRANTY CARD,AUSTRALIAN	1
N/A		MANUAL,PRODUCT INSERT SHEET,POWER CHAIR WARRANTY,AUSTRALIA	1
N/A	INFMANU4620	MANUAL,OWNER'S,Q6 EDGE(GEN 2),ENGLISH	1
N/A		MANUAL,PRODUCT INSERT,SPECIFICATIONS,Q6 EDGE(GEN 2),ENGLISH	1

18.1. Owner's Packages



Owner's Package

Item	Part No.	Name	Qty
N/A		MANUAL,WARRANTY CARD,AUSTRALIAN	1
N/A	PLSTIE1015	CABLE TIE,BLACK,NYLON,7.5-8MM W X 200-220MM L,100 LBS MINIMUM TESILE STRENGTH	6
N/A	DWR1235L517	HANG TAG,EMI-RFI,MADE IN CHINA	1
N/A	INFMANU3992	MANUAL,CONSUMER SAFETY GUIDE,POWERCHAIR	1
N/A		MANUAL,PRODUCT INSERT SHEET,POWER CHAIR WARRANTY,AUSTRALIA	1
N/A	INFMANU4620	MANUAL,OWNER'S,Q6 EDGE(GEN 2),ENGLISH	1
N/A		MANUAL,PRODUCT INSERT,SPECIFICATIONS,Q6 EDGE(GEN 2),ENGLISH	1
N/A	DWR1202C027	REFLECTOR,AMBER,CASTER SPHERE,C-1202-027	8
N/A	INFINFB2528	MANUAL,PRODUCT INSERT SHEET,Q6EDGE,REFLECTOR INSTALLATION	1

18.2. Decal Packages



Decal Package

Decal Package, Q-Logic, Q6 Edge 2.0



Item	Part No.	Name	Qty
N/A		DECAL,ASSY,Q6EDGE 2.0,UNOCCUPIED TRANSIT,Q-LOGIC 2,AU / EU / IT,CONTRACT MFG	1
N/A		DECAL,SERIAL NUMBER,4" X 6",BARCODE,W/PRIDE LOGO	1
N/A		DECAL,POWERCHAIR,US AND FOREIGN PATENTS PENDING,DOMESTIC,L-1000-025	1
N/A	DWR1234L004	DECAL,ICON,300LBS/135 KG,MAXIMUM WEIGHT CAPACITY,L-1234-004	1
N/A	DWR1234L957	DECAL,WARNING,DEFLATE TIRE COMPLETELY,L-1234-957	2
N/A	DWR1235L225	DECAL,LIMITED STABILITY,LITESTREAMXF,L-1235-225	1
N/A	DWR1235L512	DECAL,WARNING,EMI-RFI,20V/M,L-1235-512	1
N/A	DWR1235L515	DECAL,WARNING,BATTERY WARNINGS,L-1235-515	1
N/A	DWR1235L521	DECAL,WARNING,CONTROLLER CORD PLACEMENT,L-1235-521	1
N/A	DWR1235L638	DECAL,ICON,JAZZY FREEWHEEL,UP-DRIVE/DOWN-NEUTRAL,L-1235-638	2
N/A	DWR1235L678	DECAL,BATTERY CONNECTION,1.6" X 2.3",QUANTUM623,L-1235-678	1
N/A	LAB142829	DECAL,NAME,EDGE 2.0	2
N/A	DEC8120018	DECAL,NOT RATED FOR OCCUPIED TRANSPORT,POWER CHAIR	1
N/A	LAB148325	DECAL,READ OWNERS MANUAL, 19.1 DIAMETER	1

18.2. Decal Packages



Decal Package

Item	Part No.	Name	Qty
N/A	LAB148313	DECAL,ASSY,Q6EDGE 2.0,UNOCCUPIED TRANSIT,AUSTRALIA	1
N/A	DWR1234L799	DECAL,ICON,1" X 2.5",WEATHER/MANUAL/LOOSE GARMENT,L-1234-799	1
N/A	DWR1235L225	DECAL,LIMITED STABILITY,LITESTREAMXF,L-1235-225	1
N/A	DWR1235L521	DECAL,WARNING,CONTROLLER CORD PLACEMENT,L-1235-521	1
N/A	DWR1235L638	DECAL,ICON,JAZZY FREEWHEEL,UP-DRIVE/DOWN-NEUTRAL,L-1235-638	2
N/A	DEC8120018	DECAL,NOT RATED FOR OCCUPIED TRANSPORT,POWER CHAIR	2

18.2. Decal Packages



Decal Package

Item	Part No.	Name	Qty
N/A	LAB148315	DECAL,ASSY,Q6EDGE 2.0,OCCUPIED TRANSIT,AUSTRALIA	1
N/A	DWR1234L799	DECAL,ICON,1" X 2.5",WEATHER/MANUAL/LOOSE GARMENT,L-1234-799	1
N/A	DWR1235L225	DECAL,LIMITED STABILITY,LITESTREAMXF,L-1235-225	1
N/A	DWR1235L521	DECAL,WARNING,CONTROLLER CORD PLACEMENT,L-1235-521	1
N/A	DWR1235L638	DECAL,ICON,JAZZY FREEWHEEL,UP-DRIVE/DOWN-NEUTRAL,L-1235-638	2

18.2. Decal Packages



Decal Package

Item	Part No.	Name	Qty
N/A	LAB148314	DECAL,ASSY,Q6EDGE 2.0,UNOCCUPIED TRANSIT,QLOGIC,AUSTRALIA	1
N/A	DWR1235L225	DECAL,LIMITED STABILITY,LITESTREAMXF,L-1235-225	1
N/A	DWR1235L521	DECAL,WARNING,CONTROLLER CORD PLACEMENT,L-1235-521	1
N/A	DWR1235L638	DECAL,ICON,JAZZY FREEWHEEL,UP-DRIVE/DOWN-NEUTRAL,L-1235-638	2
N/A	DEC8120018	DECAL,NOT RATED FOR OCCUPIED TRANSPORT,POWER CHAIR	2

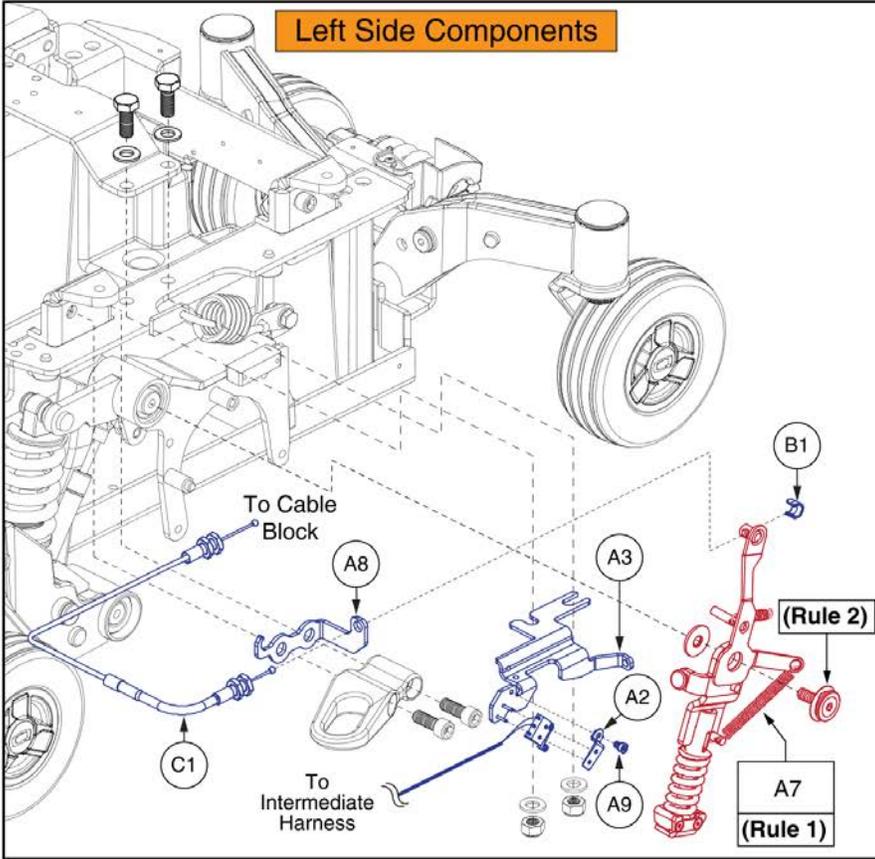
18.2. Decal Packages



Decal Package

Item	Part No.	Name	Qty
N/A	LAB148316	DECAL,ASSY,Q6EDGE 2.0,OCCUPIED TRANSIT,Q-LOGIC,AUSTRALIA	1
N/A	DWR1235L225	DECAL,LIMITED STABILITY,LITESTREAMXF,L-1235-225	1
N/A	DWR1235L521	DECAL,WARNING,CONTROLLER CORD PLACEMENT,L-1235-521	1
N/A	DWR1235L638	DECAL,ICON,JAZZY FREEWHEEL,UP-DRIVE/DOWN-NEUTRAL,L-1235-638	2

19. I-Level Base Components

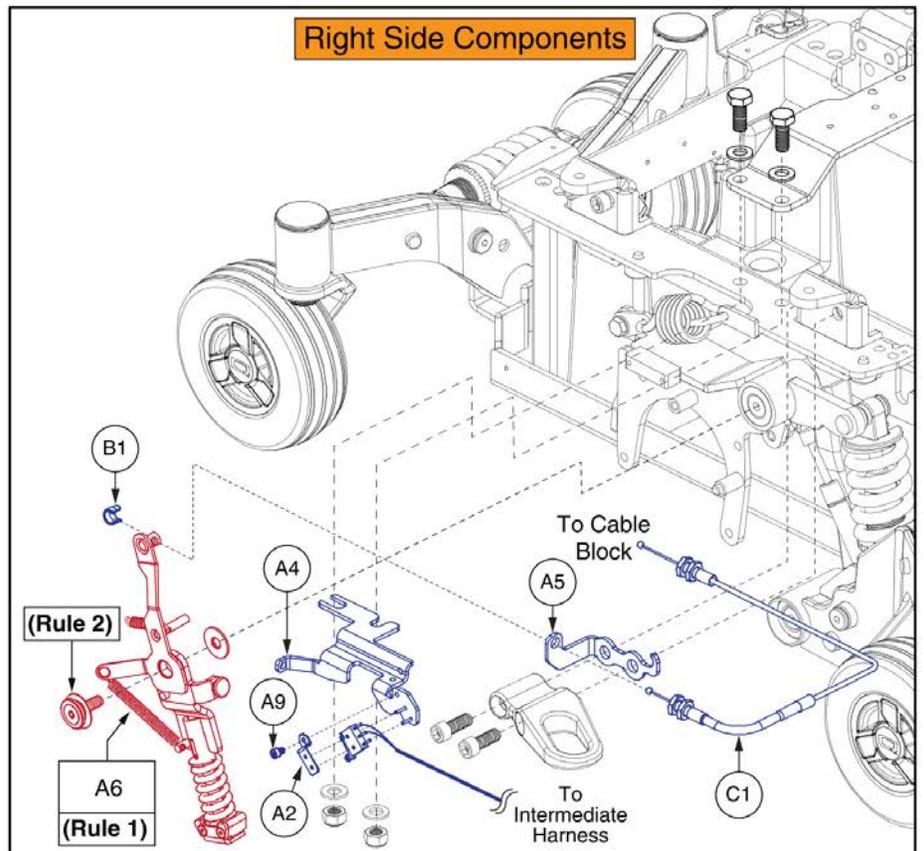
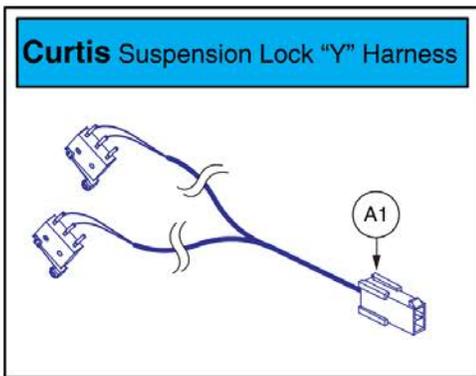


Complete I-Level Base Assy's,
Q6 Edge 2 Series / Q6 Edge 3

A1 - A9	Curtis Electronics
---------	--------------------

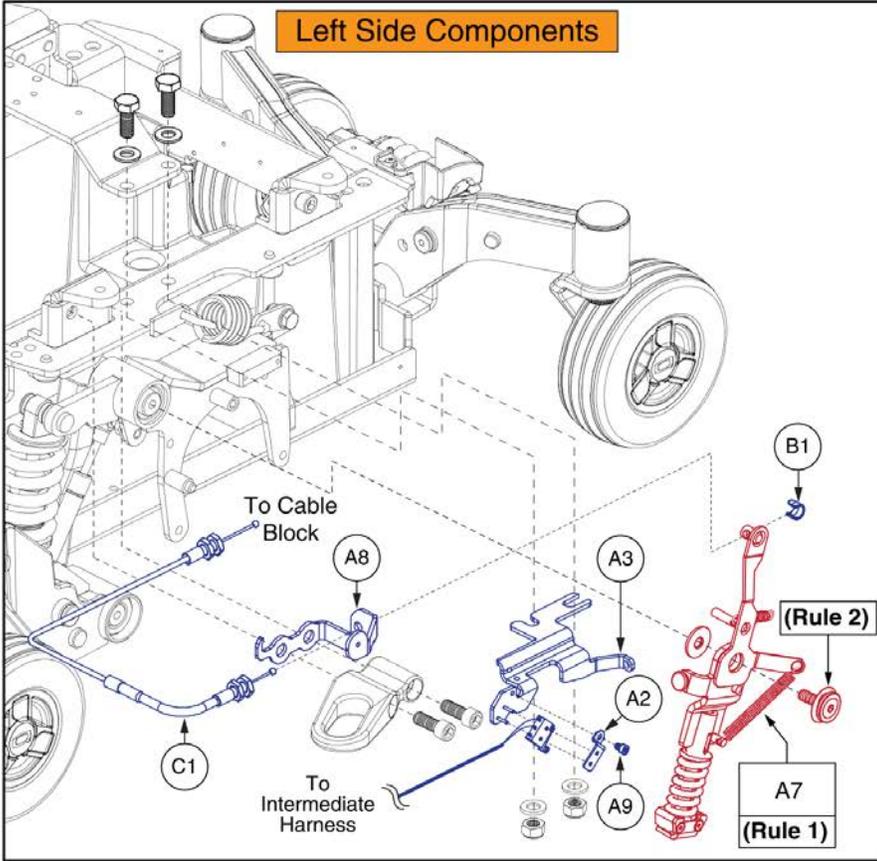
Rules:

1. If a Suspension Limiter Assy (A6 or A7) requires replacement, both the left and right sides must be selected.
2. Torque the suspension Limiter Assy fasteners to 25 - 30 N • m (18.4 - 22.1 ft • lb).



Item	Part No.	Name	Qty
A1 - A9	MEC147096	ILEVEL,ASSY,Q6 EDGE 2.0	1
A1	ELE145674	HARNESS,ILEVEL BASE SUSPENSION LOCK SIGNAL CURTIS,Q6EDGE	1
A2	MEC146558	MICROSWITCH MOUNT TAB	2
A3	MEC146551	ILEVEL LEFT ANCHOR BRACKET WELDMENT	1
A4	MEC146557	ILEVEL RIGHT ANCHOR BRACKET WELDMENT	1
A5	MEC146630	RIGHT CABLE CONDUIT STOP BRACKET	1
A6	MEC150224	SUSPENSION LIMITER ASSEMBLY, RIGHT	1
A7	MEC150194	SUSPENSION LIMITER ASSEMBLY, LEFT	1
A8	MEC146616	LEFT CABLE CONDUIT STOP BRACKET	1
A9	HDW147454	SCREW,SHCS,M4-0.7 X 6MM LG,CLASS 10.9,BLACK ZINC,NYLON PATCH	2
B1	DGN146907	ILEVEL CABLE END RETAINER	2
C1	MEC148172	ILEVEL CABLE,ASSY,TRU-BALANCE 3 POWER ADJUSTABLE SEAT LIFT W/ILEVEL	1

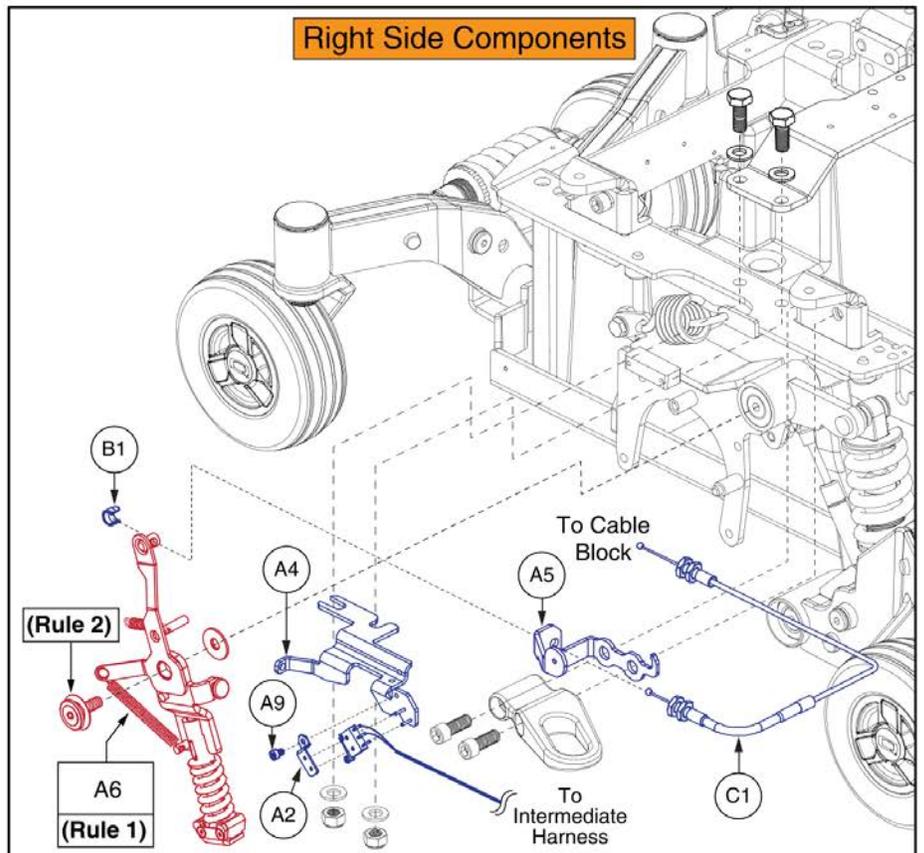
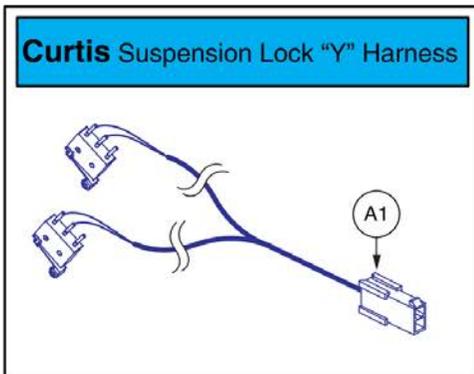
19. I-Level Base Components



Complete I-Level Base Assy's, Q6 Edge 2 Series / Q6 Edge 3 w/ Base Mounted Lights	
A1-A9	Curtis Electronics

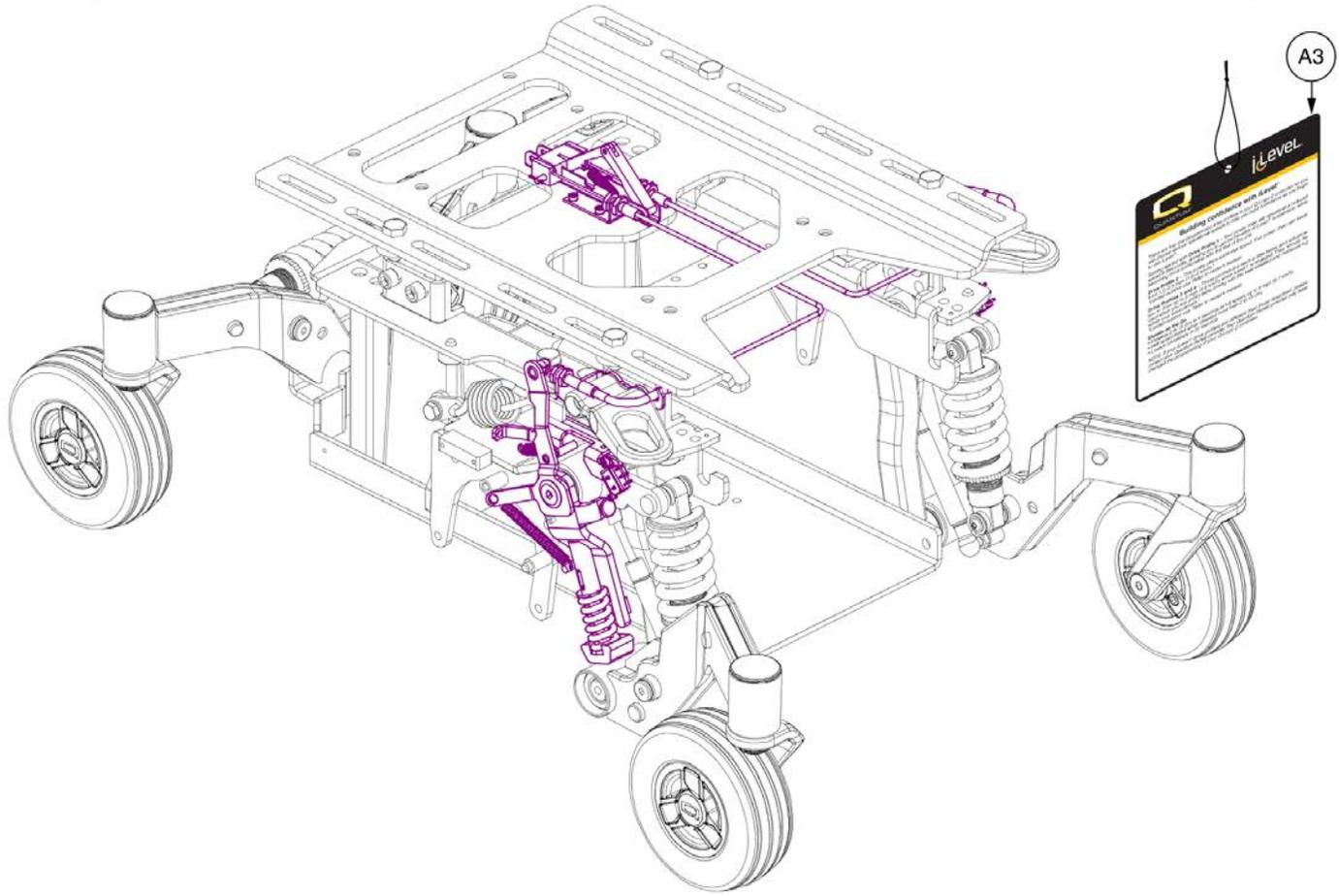
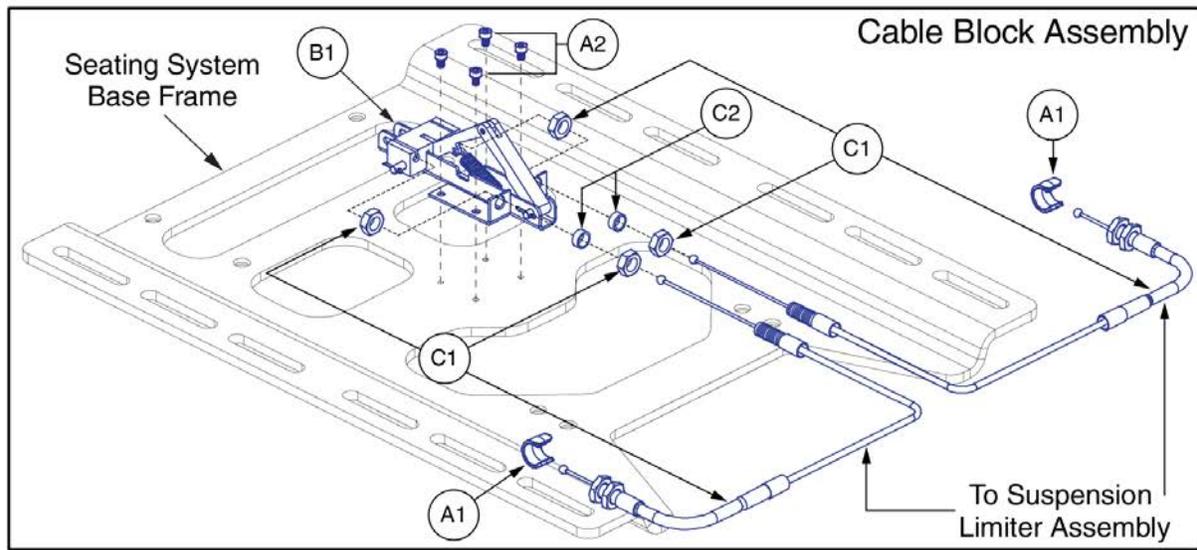
Rules:

1. If a Suspension Limiter Assy (A6 or A7) requires replacement, both the left and right sides must be selected.
2. Torque the suspension Limiter Assy fasteners to **25 - 30 N • m (18.4 - 22.1 ft • lb)**



Item	Part No.	Name	Qty
A1 - A9	MEC169545	ILEVEL,ASSY,CURTIS,Q6 EDGE 2.0,BASE MOUNTED LIGHTS	1
A1	ELE145674	HARNESS,ILEVEL BASE SUSPENSION LOCK SIGNAL CURTIS,Q6EDGE	1
A2	MEC146558	MICROSWITCH MOUNT TAB	2
A3	MEC146551	ILEVEL LEFT ANCHOR BRACKET WELDMENT	1
A4	MEC146557	ILEVEL RIGHT ANCHOR BRACKET WELDMENT	1
A5	MEC153159	RIGHT CABLE BRACKET WITH LIGHT EXTENSION	1
A6	MEC150224	SUSPENSION LIMITER ASSEMBLY, RIGHT	1
A7	MEC150194	SUSPENSION LIMITER ASSEMBLY, LEFT	1
A8	MEC152998	LEFT CABLE BRACKET WITH LIGHT EXTENSION	1
A9	HDW147454	SCREW,SHCS,M4-0.7 X 6MM LG,CLASS 10.9,BLACK ZINC,NYLON PATCH	2
B1	DGN146907	ILEVEL CABLE END RETAINER	2
C1	MEC148172	ILEVEL CABLE,ASSY,TRU-BALANCE 3 POWER ADJUSTABLE SEAT LIFT W/ILEVEL	1

19. I-Level Base Components



I-Level Power Base Cable & Mounting Block Assy



Item	Part No.	Name	Qty
A1 - C2	MEC148170	ILEVEL,ASSY,TB3 POWER ADJUSTABLE SEAT LIFT W/ILEVEL	1
A1	DGN146907	ILEVEL CABLE END RETAINER	2
A2	HDW147454	SCREW,SHCS,M4-0.7 X 6MM LG,CLASS 10.9,BLACK ZINC,NYLON PATCH	4
A3	LAB150425	HANG TAG,TRU-BALANCE 3 LIFT W/ILEVEL	1
B1 - C2	MEC148171	ILEVEL CABLE,ASSY,W/MOUNTING BLOCK,TRU-BALANCE 3 POWER ADJUSTABLE SEAT LIFT W/ILEVEL	1
B1	MEC146025	CABLE PUSH BLOCK ASSEMBLY	1
C1 - C2	MEC148172	ILEVEL CABLE,ASSY,TRU-BALANCE 3 POWER ADJUSTABLE SEAT LIFT W/ILEVEL	1
C1	MEC145589	CABLE,ASSY,ILEVEL SUSPENSION LOCKOUT	2
C2	MEC147688	ILEVEL CABLE FITTING SPACER	2

Current Quantum Colors as of 9-1-2019																		
Color Name	Color Name Variant	Part Suffix	Color Code	Edge 3 Stretto	Edge 3	Edge 2.0	Edge 2.0X	Edge	Edge X	4Front	Edge Z	Edge HD	R44 Rival	J4 / Q4	J6	1450	Kozmo	
Back in Black	Black, Onyx Black Metallic Black	PBK1	PPW-BLK-01	X	X	X	X	X	X	X	X	X	X	X	X			
Night Train		PBK3	PPW-BLK-03	X	X	X	X			X	X	X	X					
Grey Street		PSL3	PPW-SIL-03	X	X	X	X			X	X	X	X					
Silver Bullet		PSL7	PPW-SIL-07			X	X			X	X	X	X					
White Satin	Pearl White	PWT2	PPW-WHT-02	X	X	X	X			X	X	X	X			X		
Red Corvette	Candy Apple Red, Ruby Red	PRD1	PPW-RED-01	X	X	X	X	X	X	X	X	X	X	X	X	X	X	
Cherry Bomb		PRD4	PPW-RED-04	X	X					X								
Pretty in Pink	Rose Quartz	PPK3	PPW-PNK-03	X	X	X	X			X	X	X	X	X	X	X	X	
Raspberry Beret		PPK4	PPW-PNK-04	X	X					X								
Sugar Plum		PPR7	PPW-PRP-07	X	X					X								
Deep Purple		PPR5	PPW-PRP-05	X	X	X	X			X	X	X	X					
Midnight Blue		PBU10	PPW-BLU-10	X	X	X	X			X	X	X	X					
Electric Blue	True Blue, Sapphire Blue	PBU9	PPW-BLU-09	X	X	X	X	X	X	X	X	X	X	X	X	X	X	
Blue Jean		PBU11	PPW-BLU-11	X	X					X								
Green Machine		PGN11	PPW-GRN-11	X	X	X	X			X	X	X	X					
Military Green		PGN8	PPW-GRN-08	X	X					X	X	X	X					
Lime Light		PGN7	PPW-GRN-07			X	X			X	X	X	X					
Yellow Blaze	Orion Yellow, Citrine Yellow	PYL3	PPW-YEL-03			X	X	X	X	X	X	X	X		X	X		
Lemon Crush		PYL4	PPW-YEL-04	X	X	X	X			X								
Orange Crush	Amber Orange	POR6	PPW-ORN-06			X	X			X	X	X	X			X		
Evolution Orange		POR7	PPW-ORN-07	X	X	X	X			X	X	X	X	X	X	X		
Carbon Fiber		WCB1	PWT-CBN-01		X	X				X								
Digital Camo		WCM7	PWT-CMO-07		X	X				X								
Faded Glory		WFL2	PWT-FLG-02		X	X				X								

Prior Generation Quantum Colors as of 9-1-2019																		
Color Name	Color Name Variant	Part Suffix	Color Code	Edge 3 Stretto	Edge 3	Edge 2.0	Edge 2.0X	Edge	Edge X	4Front	Edge Z	Edge HD	R44 Rival	J4 / Q4	J6	1450	Kozmo	
Pewter Grey		PGY1	PPW-GRY-01					X				X						
Silver		PSL1	PPW-SIL-01					X	X		X	X			X			
Cardinal Red	Rex Red	PRD2	PPW-RED-02					X				X						
Pearl Pink	Prehistoric Pink	PPK1	PPW-PNK-01					X	X		X	X		X	X			
Violet	Primitive Purple	PPR2	PPW-PRP-02					X				X						
Sapphire Blue		PPR4	PPW-PRP-04					X	X		X	X			X			
Mariner Blue	Bronto Blue	PBU2	PPW-BLU-02					X				X						
Graphite Blue		PBU3	PPW-BLU-03					X				X						
Viper Blue		PBU1	PPW-BLU-01					X	X		X	X		X	X			
Spring Green	Gator Green	PGN3	PPW-GRN-03					X				X						
Emerald Green		PGN5	PPW-GRN-05					X	X		X	X			X			
Kelly Green		PGN6	PPW-GRN-06					X				X		X				
Solar Yellow		PYL1	PPW-YEL-01					X				X						
Champagne	Saber Yellow	PCH1	PPW-CHA-01					X	X		X	X			X			
Tangerine		POR2	PPW-ORN-02					X				X						
Sunburst Orange		POR1	PPW-ORN-01					X	X		X	X		X	X			

Appendix A:Pages Index	
8 Amp UPG Charger Assy, AGM / GEL Selectable	123
8 amp CTE Charger, Australia	121
Aftermarket Joystick Knobs	47
Center Panel Shrouds and Battery Spacer	89
Decal Package, Occupied Transit, Australia, Q6 Edge 2.0	161
Decal Package, Q-Logic, Occupied Transit, Australia, Q6 Edge 2.0	165
Decal Package, Q-Logic, Q6 Edge 2.0	157
Decal Package, Q-Logic, Unoccupied Transit, Australia, Q6 Edge 2.0	163
Decal Package, Unoccupied Transit, Australia, Q6 Edge 2.0	159
Drive Motor Assy - 4 Spoke Hub (Knobby), 6MPH, Curtis, Edge 2.0	25
Drive Motor Assy - 4 Spoke Hub, PG, Edge 2.0	31
Drive Motor Assy - 5 Spoke Hub, 6MPH ACCU-TRAC, Curtis, Edge 2.0	27
Drive Motor Assy - 5 Spoke Hub, 6MPH, Curtis, Edge 2.0	23
Drive Motor Assy - 5 Spoke Hub, PG, Edge 2.0	29
Drive Wheel - Flat-free, 5 Spoke Silver Rim/Black Tire w/ Color Insert, Edge 2.0	105
Drive Wheel - Flat-free, 5 Spoke Titanium Rim/Black Tire	107
Drive Wheel - Pneumatic, 5 Spoke Silver Rim/Black Tire w/ Color Insert, Edge 2.0	109
Drive Wheel - Pneumatic, 5 Spoke Titanium Rim/Black Tire	111
Fender Shroud Assy, Without Lights, Edge 2.0 / Edge 3	95
Fixed Joystick Mounts, Quantum Joysticks	149
Flat-free Drive Wheel, 4 Spoke Black Rim/Black "Knobby" Tire	115
Flat-free Drive Wheel, 5 Spoke, Black Rim / Black "Knobby" Tire, 14" x 4" 119	
Foot Platform Assy's, Edge Series	79
Front Caster Assy - 6" Casters, Edge 2.0	3
Front Caster Assy - 8" Casters, Edge 2.0	5
I-Level Power Base Cable & Mounting Block Assy	171
I-Level Power Base Components, Curtis, Edge 2.0 / Edge 3	167
I-Level Power Base Components, Edge 2.0 / Edge 3 w/Base Mounted Lights	169
Interceptor, NF-22, GEL, Battery Assy	133
Joystick Receiver Mounts, Quantum	151
KIT168287 - 6" to 8" Caster Retrofit Kit, Q6 Edge 2	7, 17
KIT168288 - 8" to 6" Caster Retrofit Kit, Q6 Edge 2	9, 19
KIT168289 - 8" to 8" Caster Retrofit Kit, Q6 Edge 2	11, 21
L-Bracket Towers and Transit Loops	101
MK, NF-22, AGM, Battery Assy	125
MK, NF-22, GEL, Battery Assy	127
Main Carrier Shroud & Rear Door Shroud Assy's, Edge 2.0	87
Main Frame, Edge 2.0	1
Multi-Axis Joystick Bracket Components, Version 2	143
Owner's Package 2, Australia, Q6 Edge 2.0	155
Owner's Package, Australia, Q6 Edge 2.0	153
PG Joystick Overlays	49
Painted Wheel Inserts	113
Pneumatic Drive Wheel, 4 Spoke Black Rim/Black "Knobby" Tire	117
Power Seat (Pedestal Actuator) Battery Access Brackets, Edge Series	85
Power Seat Assy w/ Universal Interface, Q6 Edge Series	97
Q-Logic 1 / Stand Alone / NE / NE+ Joystick Overlays	51
Q-Logic 2 & 3 Joystick Shrouds	55
Q-Logic 2 & 3 Joystick Bottom Housing w/Bus Cable	57
Q-Logic 2 Electronics, ACCU-TRAC, Power Seat Thru Joystick, Edge 2.0	73
Q-Logic 2 Electronics, ACCU-TRAC, Quantum Ready/Tilt Thru Toggle, Edge 2.0	71
Q-Logic 2 Electronics, Power Seat Thru Joystick, Edge 2.0	69
Q-Logic 2 Electronics, Quantum Ready/Tilt Thru Toggle, Edge 2.0	67
Q-Logic 2 Joystick Assemblies	33
Q-Logic 2 Stand Alone Joystick Assy	35
Q-Logic 3 Base Electronics Matrix, 6 MPH Motors, Edge 2.0	59
Q-Logic 3 Electronics, Power Positioning & Static Seating, Edge 2.0	61
Q-Logic 3 Electronics, Power Seat Thru Joystick, Edge 2.0	63
Q-Logic 3 Joystick Assy's	37
Q-Logic 3 SD Cards for Edge 2.0	43, 65
Q-Logic 3 Stand Alone Joystick Assy	41
Q-Logic 3e Joystick Assy's - Q6 Edge 2	39
Q-Logic Joystick Knobs	53
Quantum Color Reference Chart	173
R-Net Electronics, Power Harnesses, Cables, and Mounting Hardware, Q6 Edge 2.0	75
R-Net Joystick Assy's	45
R-Net Power Module and Master Assemblies, Q6 Edge 2.0	77
Rear Caster Assy - 6" Casters, Edge 2.0	13
Rear Caster Assy - 8" Casters, Edge 2.0	15
Recessed Battery Access Bracket Assy	81
Retract 4 Swing-away Joystick Bracket for Curtis Joysticks	145
Standard & Recessed Front Door Shroud Assy's, Edge 2.0	91
Standard Battery Access Bracket Assy's	83
Stealth Swing-away / Flip Down Joystick Brackets & Mounts	147
Swing-away & Multi-axis Mount Matrix, Captain Seat, Version 2	139
Swing-away & Multi-axis Mount Matrix, Rehab Seat, Version 2	137
Swing-away Joystick Bracket & Components, Version 3	135
Swing-away Joystick Bracket Components, Version 2	141
Trapeze Bar Assy	99
Universal, NF-22, AGM, Battery Assy	129
Universal, NF-22, GEL, Battery Assy	131

Appendix B:Parts Index

ACC123525	152	ACC1908439	136
ACC124132	144	ACC1908440	136
ACC124921	142	ACCASMB1856	48
ACC131216	138	ACCASMB1857	48
ACC131586	142	ACCASMB1858	48
ACC142524	138	ACCASMB1859	48
ACC142525	138	ACCASMB1860	48
ACC142526	138	ACCASMB1861	48
ACC142527	138	ACCASMB1862	48
ACC142528	138	BAT121346	126
ACC142529	138	BAT1704613-P	134
ACC142530	138	BATASMB1010	132
ACC142531	138	BATASMB1094	128
ACC142532	138	BATGEL1003	132
ACC142533	138	BATGEL1008	128
ACC142534	138	BATLIQ1018	130
ACC142738	138	BRK8110003	102
ACC142739	138	BRKASMB7120008	102
ACC142740	138	CTL123217	34
ACC142742	138	CTL124653	34
ACC142743	138	CTL137635	36
ACC142745	138	CTL143976	38
ACC142746	138	CTL143977	38
ACC142747	138	CTL143978	62, 64
ACC142748	138	CTL143980	42
ACC142749	138	CTL143983	64
ACC142750	138	CTL147480	68
ACC142751	138	CTL147481	68, 70
ACC142752	138	CTL147482	72
ACC148356	140	CTL147483	72, 74
ACC148357	140	CTL147798	78
ACC148358	140	CTL147799	78
ACC148359	140	CTL147800	78
ACC148360	140	CTL147801	78
ACC148361	140	CTL147802	78
ACC148362	140	CTL147803	78
ACC148363	140	CTLDC1605	46
ACC148364	140	CTLDC1611	46
ACC148365	140	CTLDC1612	46
ACC148366	140	CTLDC1613	46
ACC148367	140	DEC8120018	158, 160, 164
ACC148368	140	DECSERN1032	158
ACC148369	140	DGN124307	56, 56
ACC148370	140	DGN124308	34, 54
ACC148371	140	DGN124309	34, 38, 54
ACC1806853	152	DGN124336-PBK1	56, 56
ACC1908434	136	DGN124336-PBK3	56
ACC1908435	136	DGN124336-PBU1	56
ACC1908437	136	DGN124336-PBU10	56
ACC1908438	136	DGN124336-PBU11	56
		DGN124336-PBU9	56, 56

DGN124336-PGN11	56	DGN152613-PGN11	92
DGN124336-PGN5	56	DGN152613-PGN7	92
DGN124336-PGN7	56	DGN152613-PGN8	92
DGN124336-PGN8	56	DGN152613-POR6	92
DGN124336-POR4	56	DGN152613-POR7	94
DGN124336-POR6	56	DGN152613-PPK3	92
DGN124336-POR7	56	DGN152613-PPR5	92
DGN124336-PPK1	56	DGN152613-PRD1	92
DGN124336-PPK3	56	DGN152613-PSL3	92
DGN124336-PPK4	56	DGN152613-PSL7	92
DGN124336-PPR4	56	DGN152613-PWT2	92
DGN124336-PPR5	56	DGN152613-PYL3	92
DGN124336-PPR7	56	DGN152613-PYL4	92
DGN124336-PRD1	56, 56	DGN152613-WCB1	94
DGN124336-PRD4	56	DGN152613-WCM7	94
DGN124336-PSL1	56	DGN152613-WFL2	94
DGN124336-PSL3	56	DGN153201-PBK1	88
DGN124336-PSL7	56	DGN153201-PBK3	88
DGN124336-PWH2	56	DGN153201-PBU10	88
DGN124336-PYL3	56, 56	DGN153201-PBU9	88
DGN124336-PYL4	56	DGN153201-PGN11	88
DGN124336-WCB1	56	DGN153201-PGN7	88
DGN124336-WCM7	56	DGN153201-PGN8	88
DGN124336-WFL2	56	DGN153201-POR6	88
DGN135824	94	DGN153201-POR7	88
DGN140932	4, 6, 14, 16	DGN153201-PPK3	88
DGN146907	168, 170, 172	DGN153201-PPR5	88
DGN152585-PBK1	92	DGN153201-PRD1	88
DGN152585-PBK3	92	DGN153201-PSL3	88
DGN152585-PBU10	92	DGN153201-PSL7	88
DGN152585-PBU9	92	DGN153201-PWT2	88
DGN152585-PGN11	92	DGN153201-PYL3	88
DGN152585-PGN7	92	DGN153201-PYL4	88
DGN152585-PGN8	92	DGN153201-WCB1	88
DGN152585-POR6	92	DGN153201-WCM7	88
DGN152585-POR7	92	DGN153201-WFL2	88
DGN152585-PPK3	92	DGN154742	38, 42, 54
DGN152585-PPR5	92	DGN155719	96
DGN152585-PRD1	92	DGN155720	96
DGN152585-PSL3	92	DGN164245-PBK1	106, 110, 114
DGN152585-PSL7	92	DGN164245-PBK3	106, 110, 114
DGN152585-PWT2	92	DGN164245-PBU10	106, 110, 114
DGN152585-PYL3	92	DGN164245-PBU11	114
DGN152585-PYL4	92	DGN164245-PBU9	106, 110, 114
DGN152585-WCB1	92	DGN164245-PGN11	114
DGN152585-WCM7	92	DGN164245-PGN7	106, 110, 114
DGN152585-WFL2	92	DGN164245-PGN8	106, 110, 114
DGN152613-PBK1	92	DGN164245-POR6	106, 110, 114
DGN152613-PBK3	92	DGN164245-POR7	114
DGN152613-PBU10	92	DGN164245-PPK3	106, 110, 114
DGN152613-PBU9	92	DGN164245-PPK4	114

DGN164245-PPR5	106, 110, 114	DWR1265H030	76
DGN164245-PPR7	114	DWR1265H050	62, 64, 72, 74
DGN164245-PRD1	106, 110, 114	DWR1361H038	68, 70, 72, 74, 76
DGN164245-PRD4	114	DWR1502H005	62, 64, 68, 70, 72, 74, 76
DGN164245-PSL3	106, 110, 114	ELE124312	34
DGN164245-PSL7	106, 110, 114	ELE124313	34, 58
DGN164245-PWH2	106, 110, 114	ELE144006	38, 58
DGN164245-PYL3	106, 110, 114	ELE145674	168, 170
DGN164245-PYL4	114	ELE147489	68
DGN164245-WCB1	106, 110, 114	ELE147490	68
DGN164245-WCM7	106, 110, 114	ELE147491	70
DGN164245-WFL2	106, 110, 114	ELE147492	72
DWR1000H174	122, 124	ELE147493	72
DWR1000L025	158	ELE147494	74
DWR1005B049	106, 108, 110, 112, 120	ELE164224	68, 70, 72, 74
DWR1010B089	142, 144	ELE167720	64
DWR1062C036	102, 102, 102, 102	ELE1700789	44, 62, 64, 66
DWR1062C058	4, 6	ELE1700824	44, 62, 66
DWR1062D045	102	ELE1700826	44, 62, 64, 66
DWR1062D056	102	ELE1700827	44, 62, 66
DWR1062D078	62, 64, 68, 70, 72, 74, 76	ELE1700840	62
DWR1062D096	90	ELE1700841	62, 64
DWR1062H003	62, 64	ELE1702570	60
DWR1062H004	76	ELE1702571	60
DWR1111C002	136, 142, 144, 150	ELE1702572	60
DWR1111H051	36	ELE1702573	60
DWR1111H053	36	ELE1702574	60
DWR1111H065	68, 70, 72, 74	ELE1702575	60
DWR1111H199	50	ELE1702576	60
DWR1111H311	70, 74	ELE1702577	60
DWR1111H566	76	ELE1702578	60
DWR1111H567	76	ELE1702579	60
DWR1202C027	156	ELE1702580	60
DWR1202D044	4, 14	ELE1702581	60
DWR1202D046	6, 16	ELE1705292	60
DWR1234L004	94, 158	ELE1705305	60
DWR1234L799	160, 162	ELE1705477	62, 64, 68, 70, 72, 74, 76
DWR1234L957	158	ELE1803440	124
DWR1235L225	158, 160, 162, 164, 166	ELE1808686	60
DWR1235L512	158	ELE1808687	60
DWR1235L515	94, 158	ELE1808688	60
DWR1235L517	156	ELE1808689	60
DWR1235L520	122	ELE2001163	40
DWR1235L521	158, 160, 162, 164, 166	ELE2001164	40
DWR1235L638	158, 160, 162, 164, 166	ELE2001165	40
DWR1235L678	94, 158	ELE2001166	40
DWR1235L817	128, 130, 132	ELEASMB1195	130
DWR1265H016	64, 70, 74	ELEASMB5672	122
DWR1265H017	64, 70, 74	ELEASMB6557	70, 74
DWR1265H021	62, 64, 68, 70	ELEASMB7092	70, 74
DWR1265H027	62, 64	ELECHG1017	122

FRMASMB10454	36, 42	LAB142829	88, 158
FRMASMB10617	34, 38, 40, 150	LAB147469	158
FRMASMB11156	36, 42	LAB148313	160
FRMASMB12744	150	LAB148314	164
FRMASMB15971	98	LAB148315	162
FRMASMB16030	24, 26, 28, 30, 32	LAB148316	166
FRMASMB16033	84	LAB148325	94, 158
FRMASMB16061	2	LAB150425	172
FRMASMB16062	152	MEC120301	102
FRMASMB16077	80	MEC120671	102
FRMASMB16171	102	MEC121375	102
FRMASMB16311	98	MEC122534	4, 14
FRMASMB16312	98	MEC124133	144
FRMASMB16559	86	MEC124139	102
FRMASMB2066	150	MEC131182	102
FRMASMB4767	150	MEC131902	102
FRMASMB8691	24, 26, 28, 30, 32	MEC133628	98
FRMASMB9428	98	MEC137719-D	4
FRMASMB9532	46, 150	MEC138180	144
FRMASMB9533	46	MEC138478-D	4
HAR143994	64	MEC138497-D	14
HAR144001	42	MEC138498-D	14
HAR144003	42	MEC138860	146
HAR144005	62, 64	MEC138876	146
HARUSHD1065	124	MEC140300-D	16
HARUSHD2041	124	MEC140301-D	16
HARUSHD2160	124	MEC140302-D	6
HDW124834	128, 130, 132	MEC140303-D	6
HDW142810	102, 102, 102, 102	MEC141305	84
HDW142830	102	MEC141306	86
HDW147454	168, 170, 172	MEC142133	102, 102, 102, 102, 102, 102, 102
HDW1704070	6, 16	MEC142426	142
HDWASMB1170	14, 16	MEC145207	24, 26, 28, 30, 32
INDPART2420	62, 64, 68, 70, 72, 74, 76	MEC145208	24, 26, 28, 30, 32
INF147463	154	MEC145229	4
INFINFB1149	154, 156	MEC145230	14
INFINFB2528	156	MEC145417	24, 28, 30, 106, 108, 110, 112, 120
INFINFB3072	154, 156	MEC145470	26, 32, 116, 118
INFINFB3323	154, 156	MEC145589	172
INFMANU3992	156	MEC145634	24, 26, 28, 30, 32
INFMANU4620	154, 156	MEC146025	172
KIT152913	52	MEC146133	136, 142, 152
KIT152914	52	MEC146551	168, 170
KIT152915	52	MEC146557	168, 170
KIT152919	34, 54	MEC146558	168, 170
KIT168287	8, 18	MEC146616	168
KIT168288	10, 20	MEC146630	168
KIT168289	12, 22	MEC146836	102
KITASMB1728	52	MEC146837	102
KITASMB1729	52	MEC147096	168
KITASMB1730	52	MEC147688	172

MEC148170	172	SCRHHCS1402	104
MEC148171	172	SCRHHCS1412	4, 6
MEC148172	168, 170, 172	SCRHHCS1668	128, 130, 132
MEC150194	168, 170	SCRPPH1006	150
MEC150224	168, 170	SCRPPH1036	4, 6, 14, 16, 62, 64, 68, 70, 72, 74, 76, 96, 142, 144
MEC151499-B	4, 14	SCRPPH1097	144
MEC151501-B	4, 14	SCRPPH1122	46, 150
MEC152612	82	SCRPPH1153	64, 70, 74
MEC152998	170	SCRPPH1279	136, 142
MEC153159	170	SCRPPH1290	64, 70, 74, 98
MEC153679-B	6, 16	SCRPPH1384	136, 136, 142, 144
MEC153680-B	6, 16	SCRPPH1390	62, 64, 68, 70, 72, 74, 76
MEC154025	90	SCRSFH1005	146
MEC156526	2	SCRSHCS1153	102
MEC162543	6	SCRSHCS1338	102, 102, 102
MEC162544	16	SCRSHFH1015	150
MEC169545	170	SCRSHFH1053	146, 150
MEC1712217	142	SET8110003	102
MEC1712220	142	SHDASMB6043	90
MEC1800781	102	SHDASMB6044	90
MEC1809294	152	SHDASMB6045	90
MOT147434	26	ST-ARM250C-Q	148, 152
MOT147435	26	ST-ARM250T-Q	148, 152
MOT148209	32	ST-TWBM480CJ-Q	148
MOT148210	32	ST-TWBM480QL-Q	148
MOT154323-02	30	SWTMAGN1001	98
MOT154324-02	30	TECSERV1064	50
MOT155715-01	28	TECSERV1065	50
MOT155716-01	28	TIR8110017	118
MOT1810170-01	24	TIR8110019	116, 120
MOT1810171-01	24	TIR8110024	106, 108
NUTACRN1005	116, 118	TIR8110026	110, 112
NUTNJAM1020	4, 6	TUBSTND1002	110, 112
NUTNYLK1013	4, 14	TUBSTND1043	118
NUTNYLK1019	102	TWRASMB7120002	100
NUTSTD1020	128, 130, 132	TWRASMB7120003	100
PLSINDV1252	54	WASLOCK1093	128, 130, 132
PLSKNCP1056	88	WASMETR1032	4, 14
PLSKNCP1057	48	WASMETR1096	4, 6
PLSKNCP1058	48	WASNEOP1003	88
PLSTIE1011	128, 130, 132	WHL130780-CGY1	108, 112
PLSTIE1015	156	WHL138793-B	112
RECPART1061	50	WHL138798-B	108
RECPART1066	50	WHL147599	118
RECPART1067	50	WHL147601	116
RECPART1071	50	WHL1903913	120
RECPART1085	50	WHLASMB2081	108
RECPART1129	50	WHLASMB2095	106, 110
RECPART1130	50	WHLASMB7110037	6, 16
RIGASMB7120041	80	WHLASMB7110039	4, 14
SCRHHCS1247	104	WHLASMB7110042	106

Illustrated Parts Breakdown

USA - Quantum Rehab

401 York Avenue
Duryea, Pa 18642
www.quantumrehab.com

USA - Pride Mobility Products Corp.

182 Susquehanna Avenue
Exeter, Pa 18643
www.pridemobility.com

Canada

5096 South Service Road
Beamsville, Ontario L0R 1B3
www.pridemobility.ca
www.quantumrehab.com

Australia

20-24 Apollo Drive
Hallam, Victoria 3803
www.pridemobility.com.au
www.quantumrehab.com.au

New Zealand

38 Lansford Crescent
Avondale, Auckland 0600
www.pridemobility.co.nz

UK

32 Wedgwood Road
Bicester, Oxfordshire OX26 4UL
www.pride-mobility.co.uk
www.quantumrehab.co.uk

Netherlands

(Authorised EU Representative)

De Zwaan 3
1601 MS Enkhuizen
www.pridemobility.eu
www.quantumrehab.eu

Italy

Via del Progresso, ang. Via del Lavoro
Loc. Prato della Corte
00065 Fiano Romano (RM)
www.pride-italia.it
www.quantumrehab-italia.it

France

26 Rue Monseigneur Ancel
69800 Saint-Priest
www.pridemobility.fr
www.quantumrehab.fr

Spain

Calle Las Minas Número 67
Polígono Industrial Urtinsa II, de Alcorcón
28923 Madrid

Germany

Hövelrieger Str. 28
33161 Hövelhof
www.pridemobility.de

China

Room 508, Building #4
TianNa Business Zone
No. 500 Jianyun Road
Pudong New Area
Shanghai 201318

