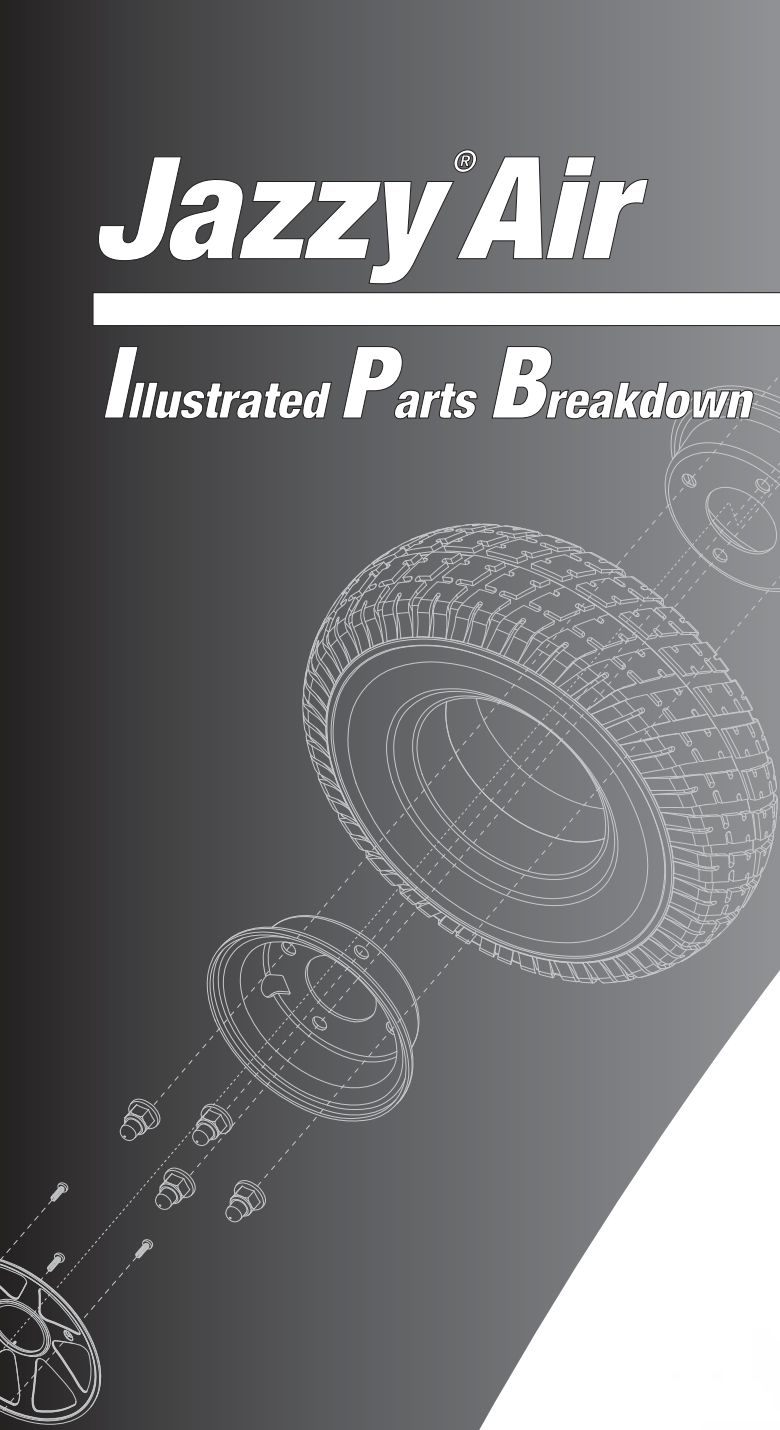


Jazzy[®] Air

AU

AGM# 088 609 661

Illustrated *P*arts *B*reakdown



Pride[®]

Your new Pride Illustrated Parts Breakdown (IPB) Manual has been compiled from the latest product information available at the time of publication. Pride[®] Mobility Products Corporation reserves the right to make changes and updates to this manual and to the product(s) it represents. Any changes, updates, or improvements to the product(s) may result in slight differences between this manual and the product you purchased.

An IPB is an illustrated parts listing of all product components which have maintenance significance. IPB's utilize "exploded" drawings to detail the individual components for each assembly and an itemized list of reference numbers, part numbers, descriptions, and quantities per assembly. Some parts may be included in an assembly but may not be available for purchase separately. Refer to the parts list to locate the part numbers for assemblies and components for ordering what you need.

To achieve proper identification and relationship of detail parts and next higher assemblies, parts listings are presented in a convenient alphanumeric reference system. Reference numbers for parent assemblies identify one part number that can be used to order all of the components listed within it. Components of an assembly will have the same alpha character as its parent assembly.

- For example, the parent assembly part number using reference number of A1 — A4 is the only number you need to place an order for parts with references of A1, A2, A3, and A4. Instead of ordering 4 separate parts, use the parent assembly part number to get the complete assembly.

Master assembly part numbers have reference numbers that include several subassemblies. By ordering parts using master assembly part numbers, you can save a lot of time and reduce the chance for error.

- For example, A1 — G10, a master assembly reference number, includes all components of assemblies A, B, C, D, E, F, and G. Use caution when ordering assemblies. Check to see if a master assembly part number exists for the components that you need. If an entire master assembly is not needed, then the individual assembly part number (i.e. for reference number G1 — G10) will be sufficient to use for ordering.

Asterisks (*) and NOTES are used throughout this service manual to point out important information regarding assembly structure and contents.

- For example, in some illustrations, only the left OR right side is shown. In other drawings, only the front OR back is depicted. The part numbers for ALL components are listed. An asterisk will also be used to indicate which components are not illustrated. Illustrated Items without callouts are shown for assembly purposes.

Updates to the contents of this IPB will be made on a regular basis. Providers may retrieve updates immediately upon their release by going to the Pride Service Website. The web address is www.pridemobility.com. We welcome any questions or comments regarding the new Pride IPB Manual that you may have.

Please note all pricing included with this manual is subject to change without prior notice from Pride.

Thank you for choosing products from Pride[®] Mobility Products Corporation.

SECTION I.

Frame Assembly

- Main Frame & Actuator 4
- Front Caster Arm with Motor 6
- Rear Articulating Beam 8

SECTION II.

Electronics Assembly 10

SECTION III.

Joystick, Buddy Button & Light Switch 12

SECTION IV.

Charger 13

SECTION V.

Foot Platform and Seat Interface 14

Mounting Plate for Foot Riggings 16

SECTION VI.

Seat Assembly 18

SECTION VII.

Shroud Assembly 20

SECTION VIII.

Accessories

- Cane/Crutch Holder 22
- Oxygen Holder 23
- Rear Basket 24
- Walker Holder 25
- Docking Device Assembly 26

SECTION IX.

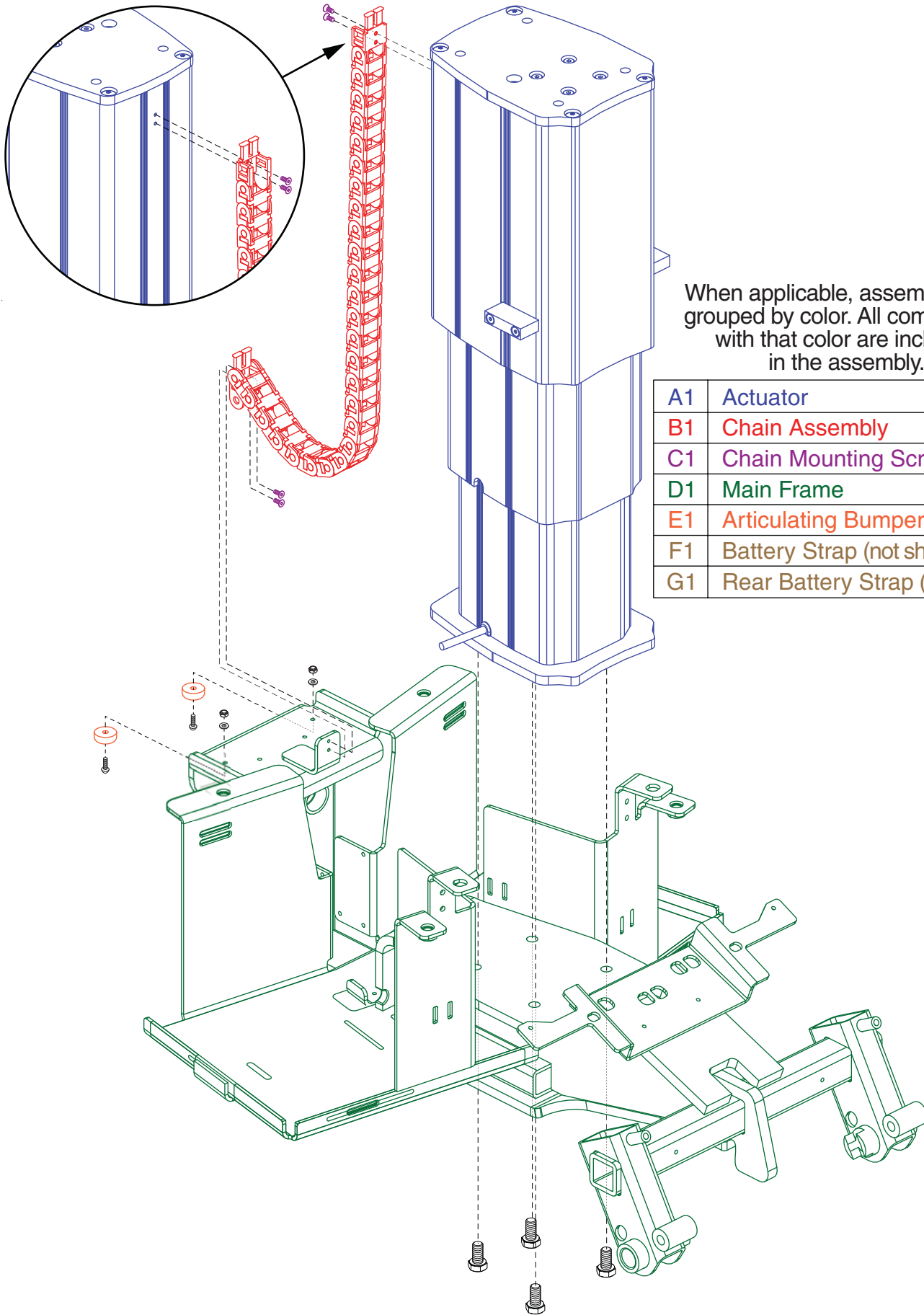
Drive Wheel Assembly 27

SECTION X.

Owner's Package 28

SECTION XI.

Decal Package 29



When applicable, assemblies are grouped by color. All components with that color are included in the assembly.

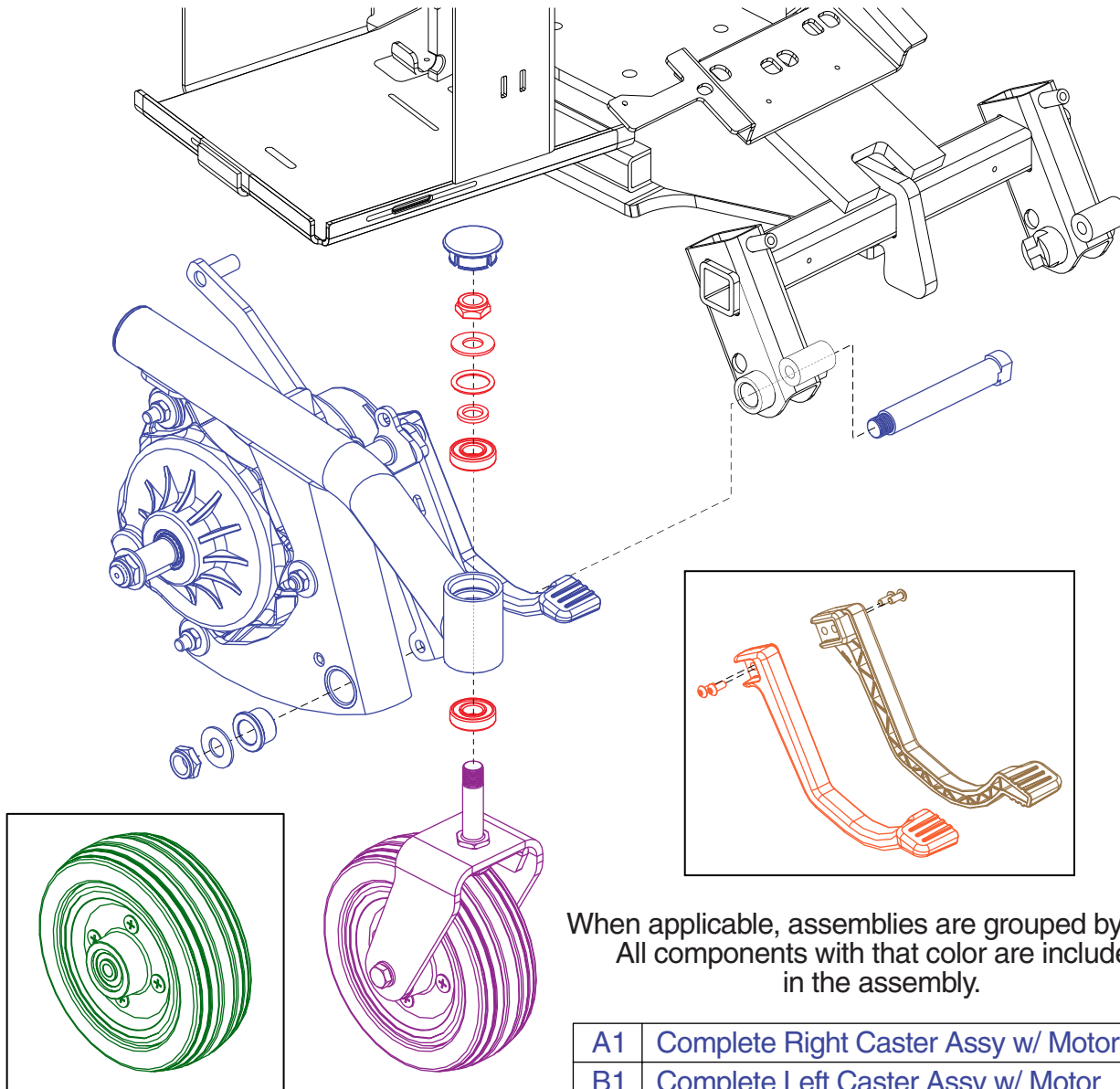
A1	Actuator
B1	Chain Assembly
C1	Chain Mounting Screws
D1	Main Frame
E1	Articulating Bumper Stop
F1	Battery Strap (not shown)
G1	Rear Battery Strap (not shown)

I. Frame Assembly — Main Frame & Actuator

REF #	PART #	DESCRIPTION	QTY	MSRP (AU\$) ¹¹ⁱ
A1	MOT153402	THOMSON ACTUATOR WITH LIMIT ASSEMBLY, LC2000	1	6135.82
B1	MEC155338	IGUS CHAIN ASSEMBLY,W/SUPPORT LINKS,P668765	1	262.9
C1	HDW156648	SCREW,SFHCS,M3 X 0.5 X 8MM,BLACK ZINC,CLASS 10.9	2	6.04
D1	MEC153194	FRAME WELDMENT,JAZZY SELECT AIR	1	N/A
E1	MEC153356	ARTICULATING BUMPER STOP	2	N/A
*F1	MEC154624	BATTERY STRAP	2	37.04
*G1	MEC154626	BACK STRAP,SMALL BATTERY	2	24.66

Notes :

* Not shown.

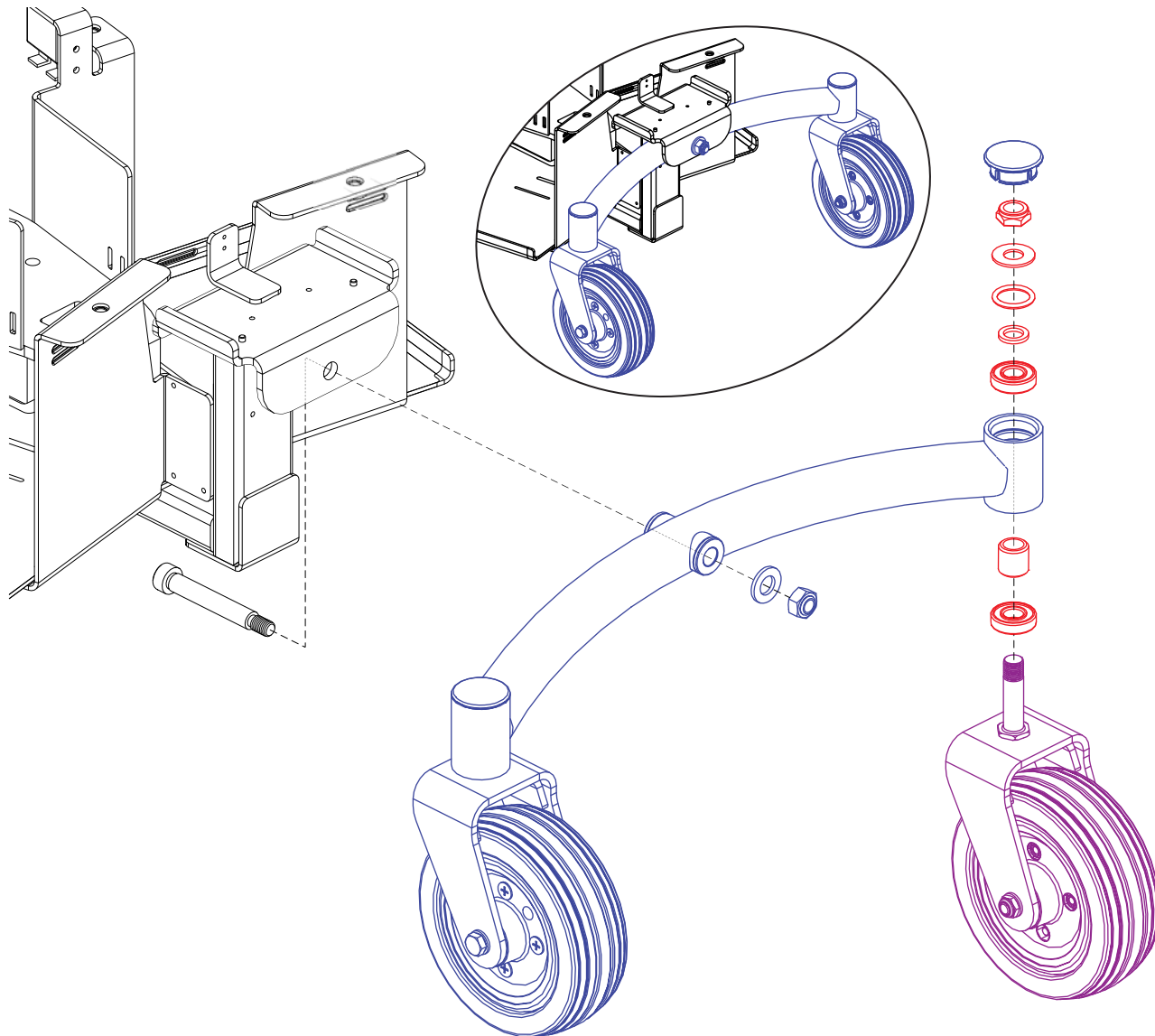


When applicable, assemblies are grouped by color. All components with that color are included in the assembly.

A1	Complete Right Caster Assy w/ Motor
B1	Complete Left Caster Assy w/ Motor
C1	Anti-flutter Assy
D1	Right Caster Fork Assy (Includes F1)
E1	Left Caster Fork Assy (Includes F1)
F1	Wheel Assy
G1	Right Freewheel Lever
H1	Left Freewheel Lever

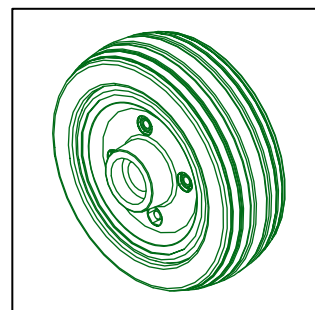
I. Frame Assembly — Front Caster Arm with Motor

REF #	PART #	DESCRIPTION	QTY	MSRP (AU\$) ¹¹ⁱ
A1	MEC155351	FRAME,ASSY,FRONT ARM W/CASTER & MOTORS,RIGHT,JAZZY AIR	1	1491.68
B1	MEC155350	FRAME,ASSY,FRONT ARM W/CASTER & MOTORS,LEFT,JAZZY AIR	1	1491.68
C1	HDWASMB1078	ANTI-FLUTTER KIT,ASSY,JAZZYSELECT,B-1060-050	1	68.4
D1	CASASMB7110004	CASTER,ASSY,6" FLAT-FREE WHEEL,SILVER RIM/BLACK TIRE,RIGHT,JAZZYSELECT,VERSION 2,D-1202-034	1	177.3
E1	CASASMB7110002	CASTER,ASSY,6" FLAT-FREE WHEEL,SILVER RIM/BLACK TIRE,LEFT,JAZZYSELECT,VERSION 2,D-1202-034	1	177.3
F1	WHLASMB2047	WHEEL,ASSY,CASTER,FLAT FREE,SILVER RIM/BLACK TIRE,6" X 2",W/BEARINGS & SPACER,E-1202-019	1	180.96
G1	MEC154375	FREEWHEEL LEVER, RIGHT	1	10.88
H1	MEC154374	FREEWHEEL LEVER, LEFT	1	10.88



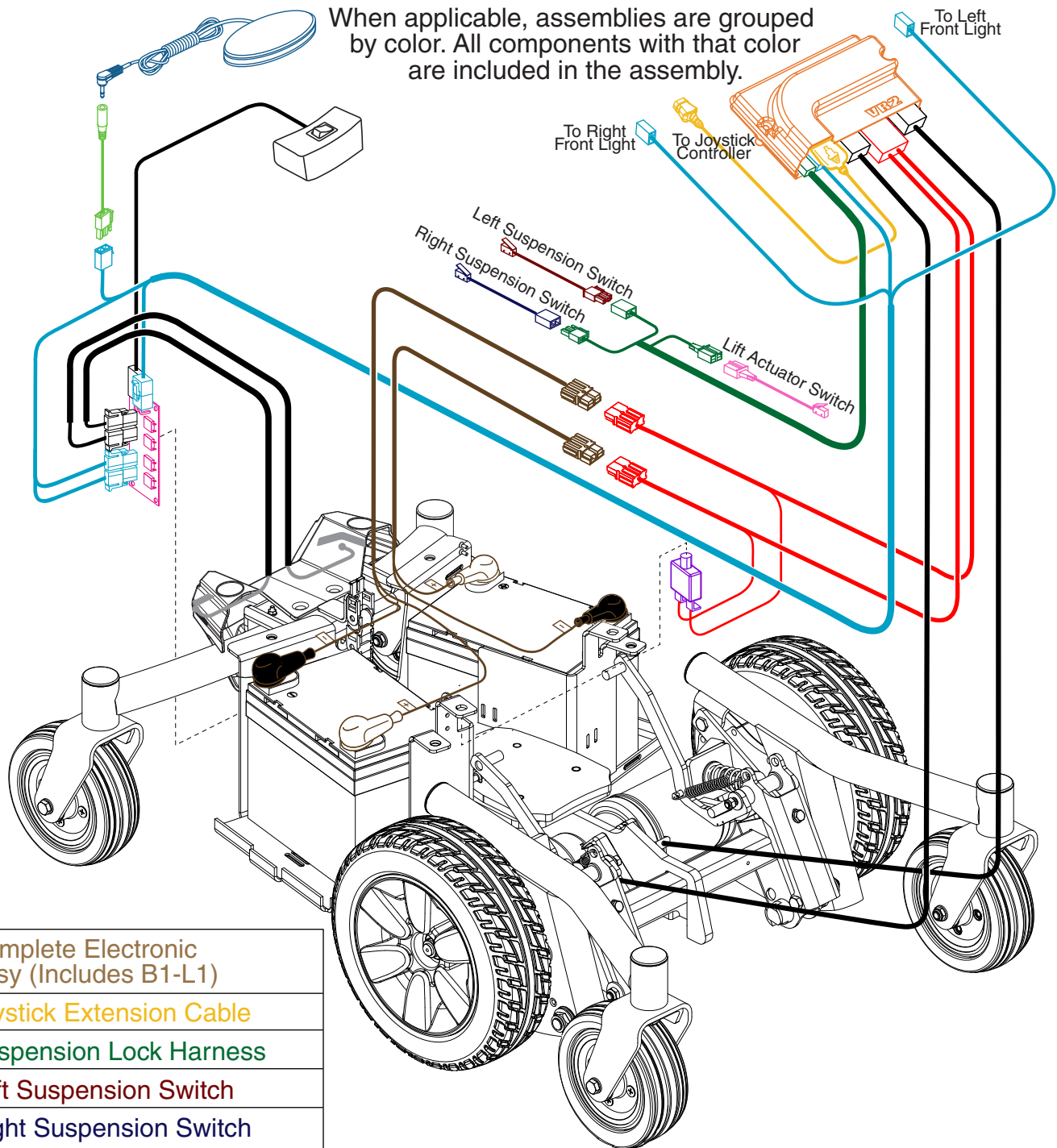
When applicable, assemblies are grouped by color. All components with that color are included in the assembly.

A1	Complete Articulating Beam Assy (Includes B1 - E1)
B1	Anti Flutter Kit
C1	Right Caster Assy (Includes E1)
D1	Left Caster Assy (Includes E1)
E1	Wheel Assy

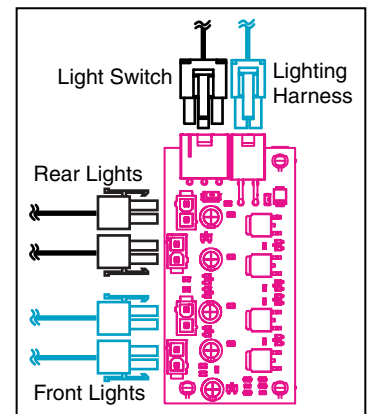
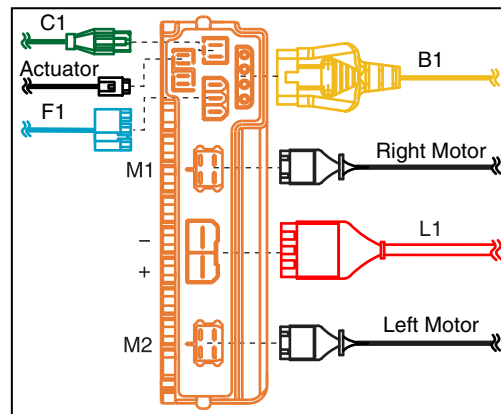


I. Frame Assembly — Rear Articulating Beam

REF #	PART #	DESCRIPTION	QTY	MSRP (AU\$) ¹¹ⁱ
A1	MEC153073	CASTER BEAM ASSEMBLY,6-INCH	1	484.52
B1	HDWASMB1078	ANTI-FLUTTER KIT,ASSY,JAZZYSELECT,B-1060-050	2	68.4
C1	CASASMB7110004	CASTER,ASSY,6" FLAT-FREE WHEEL,SILVER RIM/BLACK TIRE,RIGHT,JAZZYSELECT,VERSION 2,D-1202-034	1	177.3
D1	CASASMB7110002	CASTER,ASSY,6" FLAT-FREE WHEEL,SILVER RIM/BLACK TIRE,LEFT,JAZZYSELECT,VERSION 2,D-1202-034	1	177.3
E1	WHLASMB2047	WHEEL,ASSY,CASTER,FLAT FREE,SILVER RIM/BLACK TIRE,6" X 2",W/BEARINGS & SPACER,E-1202-019	1	180.96

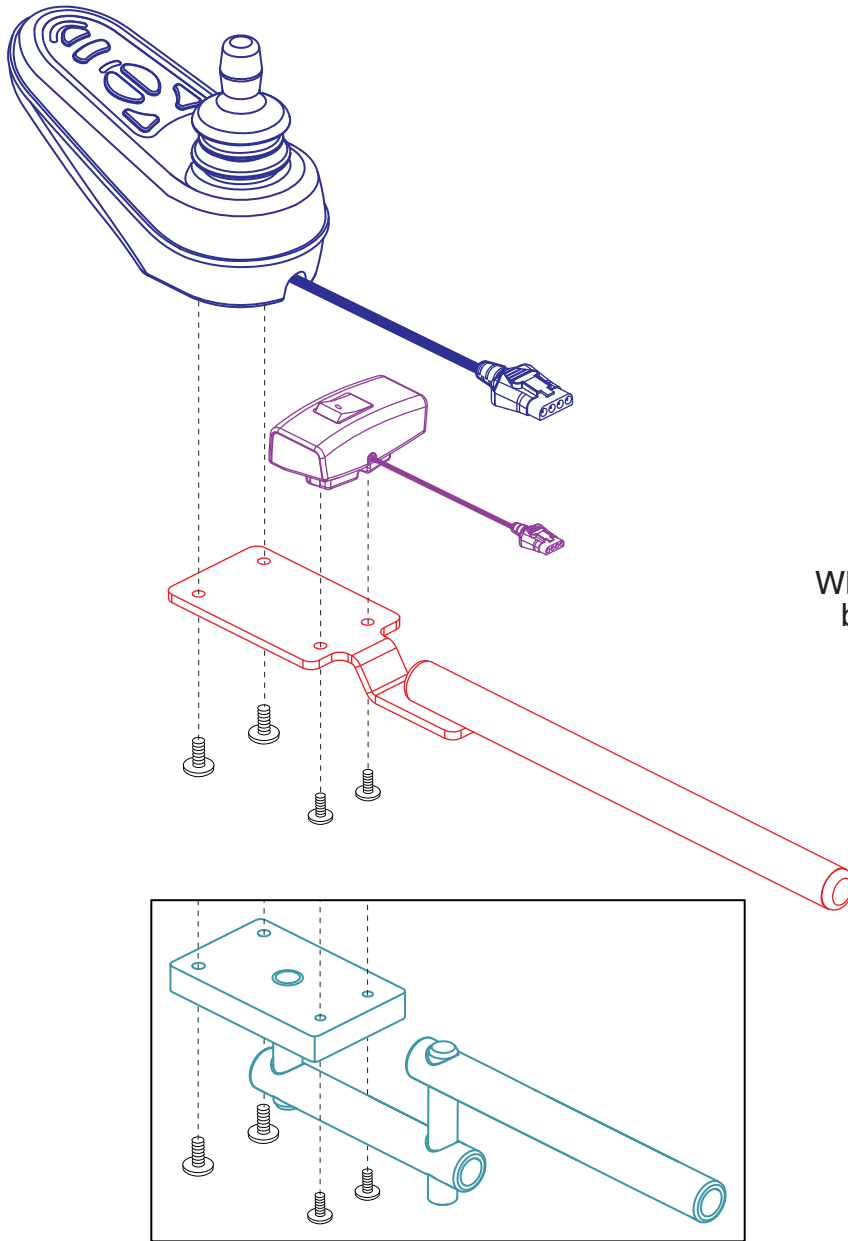


A1	Complete Electronic Assy (Includes B1-L1)
B1	Joystick Extension Cable
C1	Suspension Lock Harness
D1	Left Suspension Switch
E1	Right Suspension Switch
F1	Lighting Harness
G1	Buddy Button Extension Cable
H1	Buddy Button
I1	Battery Harness
J1	Circuit Breaker
K1	Lift Actuator Switch
L1	Power Harness
M1	Controller
N1	LED Board



REF #	PART #	DESCRIPTION	QTY	MSRP (AU\$)
A1	ELE156112	ELECTRONIC,ASSY,VR2,JAZZY AIR,OFFBOARD CHARGER	1	1965.48
B1	DWR1010H128	ELECTRONIC,HARNESS,VR2 EXTENSION CABLE,H-1010-128,(P&G: SA77974)	1	54.5
C1	ELE154541	HARNESS,SUSPENSION LOCK,JAZZY AIR	1	38.96
D1	ELE154823	HARNESS,LEFT SUSPENSION SWITCH,JAZZY AIR	1	32.1
E1	ELE154824	HARNESS,RIGHT SUSPENSION SWITCH,JAZZY AIR	1	32.1
F1	ELE155078	JAZZY AIR LIGHTING HARNESS	1	78.34
G1	ELE155079	HARNESS,JAZZY AIR,BUDDY BUTTON EXTENSION HARNESS	1	61.96
H1	SWTMCRO1081	ELECTRONIC,SWITCH,BLACK,EGG,(STEALTH:ESBLK)	1	161.7
I1	DWR1060H001	ELECTRONIC,HARNESS,BATTERY CABLE,GC,JAZZYSELECT,H-1060-001	2	116.74
J1	ELECBRK1001	ELECTRONIC,CIRCUIT BREAKER,25AMP,SC150	1	83.56
K1	ELE155648	HARNESS, LIFT ACTUATOR SWITCH, JAZZY AIR	1	38.8
L1	ELE154604	JAZZY AIR POWER HARNESS	1	147.16
M1	CTL156111	CONTROLLER,VR2,ASSY,40 AMP,1 ACTUATOR,JAZZY AIR PROGRAM	1	1208.38
N1	ELE154790	JAZZY AIR LED BOARD	1	142.64

III. Joystick, Buddy Button & Light Switch

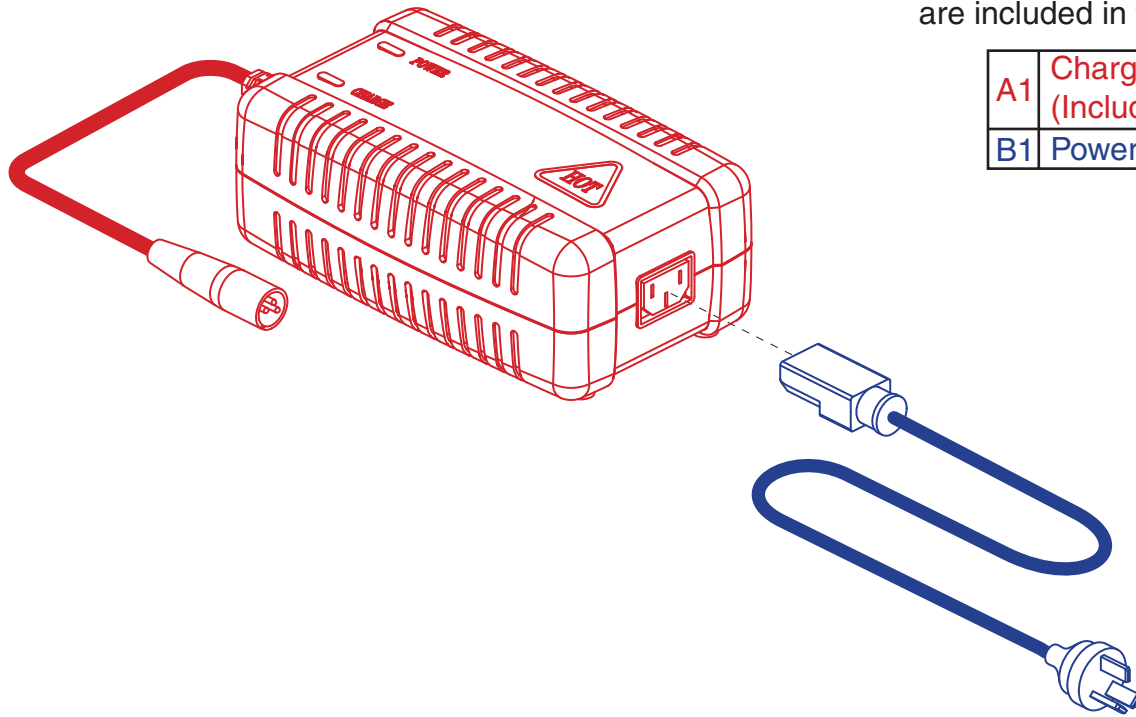


When applicable, assemblies are grouped by color. All components with that color are included in the assembly.

A1	Joystick Controller
B1	Joystick Mounting Bracket
C1	Buddy Button
D1	Buddy Button Mounting Bracket
E1	Light Switch
F1	Retract 4 Swing-away Joystick Mounting Bracket

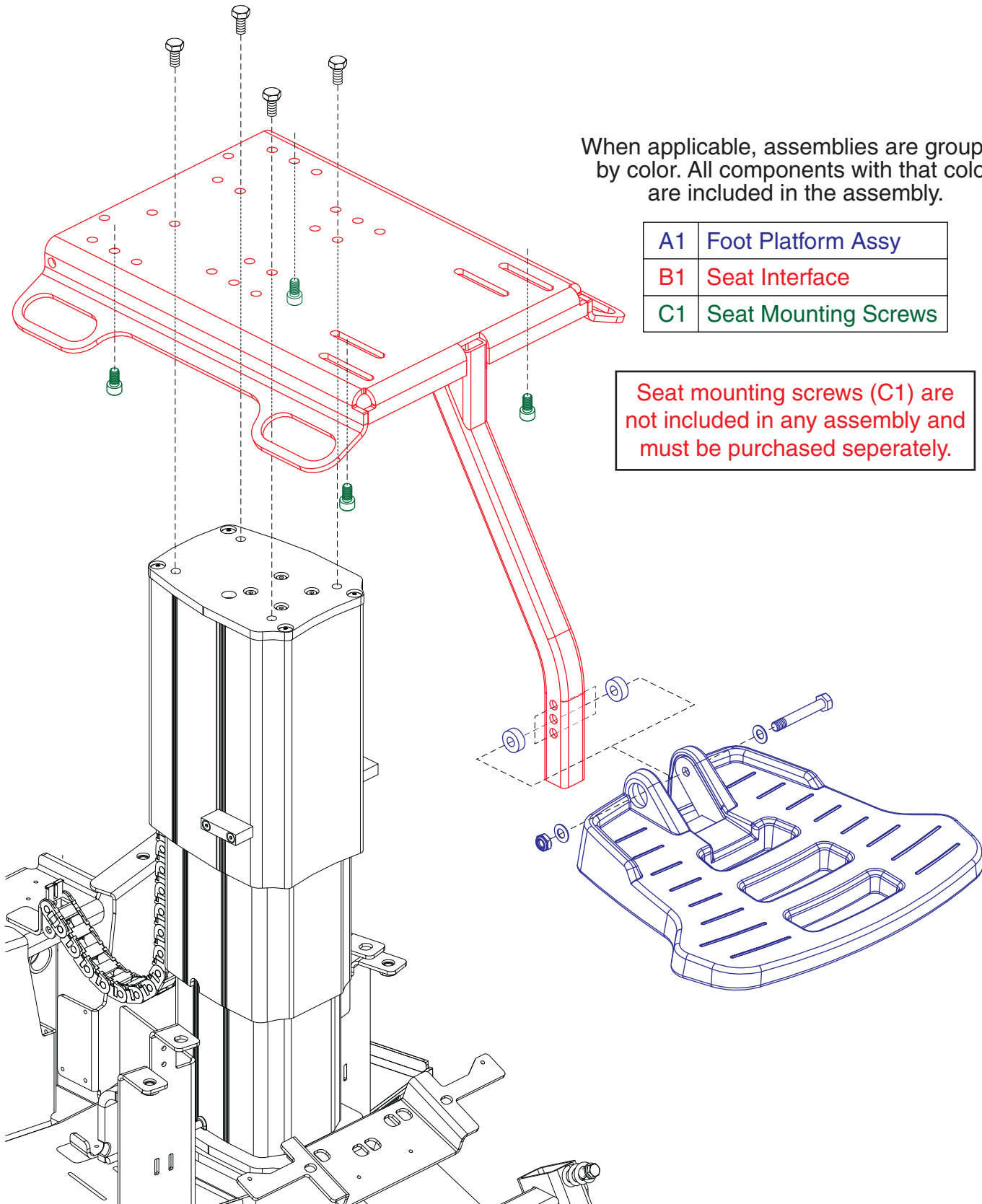
REF #	PART #	DESCRIPTION	QTY	MSRP (AU\$) ¹¹ⁱ
A1	CTL154825	CONTROLLER,JOYSTICK MODULE,6 KEY,VR2 2.0 METER CABLE(P&G:D51145)	1	1094.14
B1	MEC156107	JOYSTICK MOUNTING BRACKET,ASSY,GC/VR2 CONTROLLER,INLINE,JAZZY AIR	1	26.44
C1	SWTMCRO1081	ELECTRONIC,SWITCH,BLACK,EGG,(STEALTH:ESBLK)	1	161.7
D1	MEC168058	UNDER ARM BUDDY BUTTON MOUNTING BRACKET ASSY,JAZZY AIR	1	50.1
E1	ELE160094	LIGHT SWITCH,ASSEMBLY,JAZZY AIR	1	61
F1	MEC168060	RETRACT 4 SWING AWAY JOYSTICK ASSY,JAZZY AIR	1	1100

When applicable, assemblies are grouped by color. All components with that color are included in the assembly.



A1	Charger Assy (Includes B1)
B1	Power Cord

REF #	PART #	DESCRIPTION	QTY	MSRP (AU\$) ¹¹ⁱ
A1	ELEASMB6657	CHARGER,ASSY,OFFBOARD,LOW INHIBIT,100V-240V,3.5 AMP,W/XLR HARNESS,CE/CUL/UL APPROVED,W/AUSTRALIAN POWERCORD	1	N/A
B1	DWR1000H174	ELECTRONIC,HARNESS,AC POWER CORD,INSULATED BLADES,AUSTRALIA,H-1000-174	1	44.98



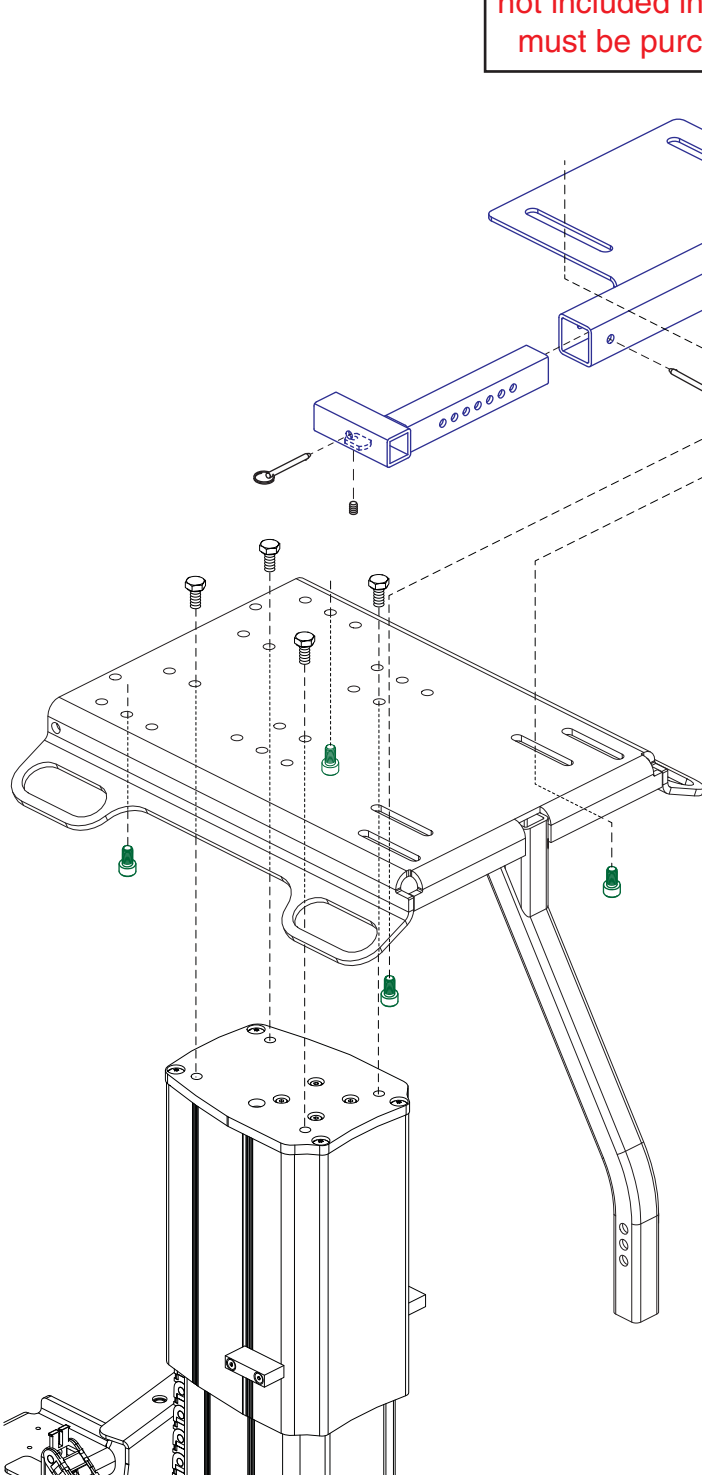
V. Foot Platform and Seat Interface

REF #	PART #	DESCRIPTION	QTY	MSRP (AU\$) ¹¹ⁱ
A1	MEC153429	SELECT AIR FOOTREST	1	180.7
B1	MEC160111	SEAT INTERFACE ASSY, JAZZY AIR	1	231.3
C1	HDW125250	SCREW, SOCKET HEAD, M8X1.25 X 20, ISO 4762, CL 12.9, BZ, PVTP	4	6.04

When applicable, assemblies are grouped by color. All components with that color are included in the assembly.

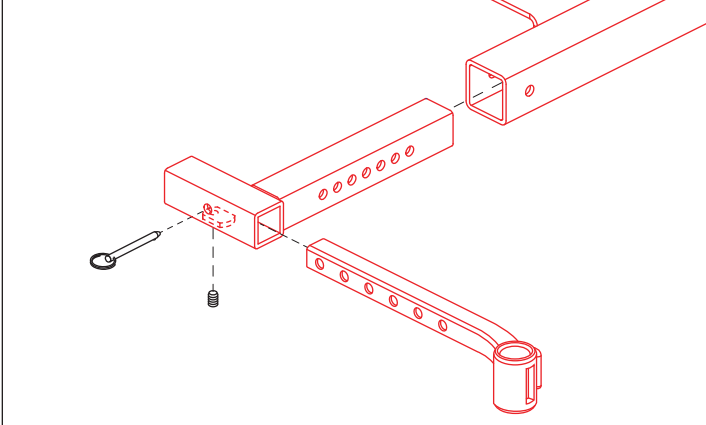
A1	KIT1801691 - Includes Complete Assy S/A #8, Clover Leaf Seat Frame Assy
B1	KIT1801692 - Includes Complete Assy Taper Pin, Clover Leaf Seat Frame Assy
C1	Seat Mounting Screws

Seat mounting screws (C1) are not included in any assembly and must be purchased separately.

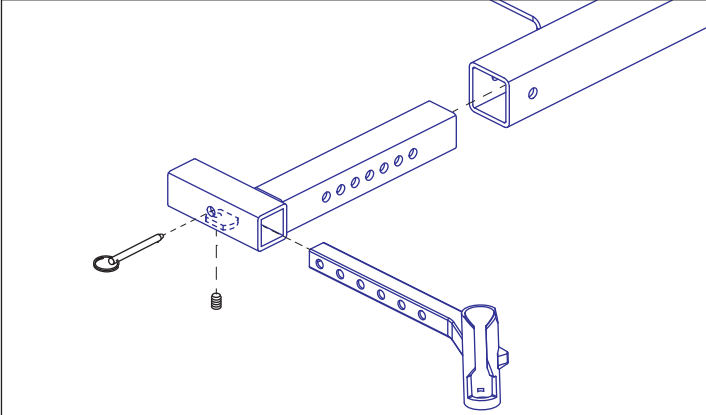


Right Side shown for assembly purposes only.

A1 Complete Assy. with S/A #8 Foot Riggings

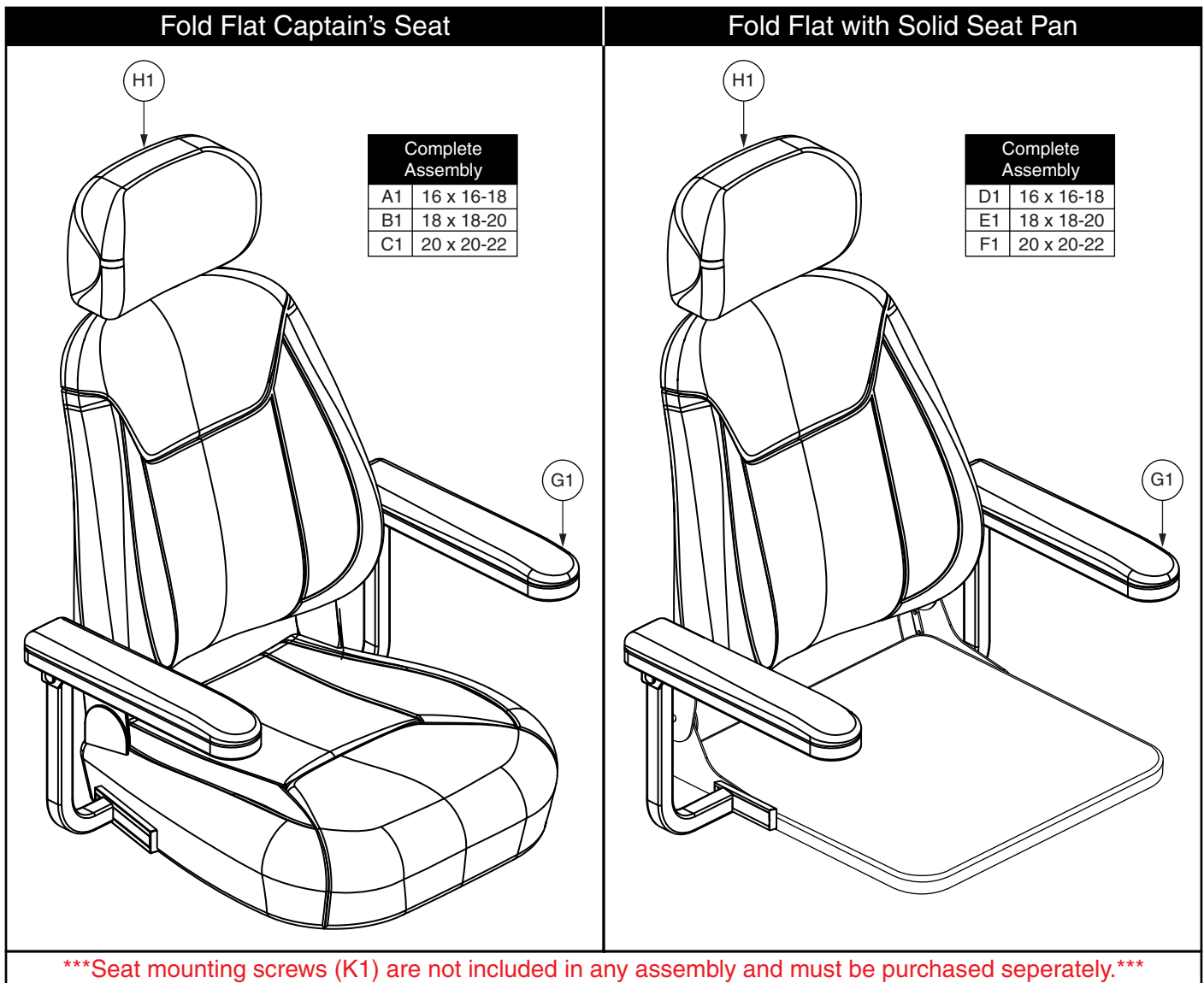


B1 Complete Assy. with Taper Pin Foot Riggings



V. Mounting Plate for Foot Riggings

REF #	PART #	DESCRIPTION	QTY	MSRP (AU\$) ¹¹ⁱ
A1	KIT1801691	KIT ASSEMBLY,MOUNTING,SWING A WAY LEGRESTS,JAZZY AIR	1	N/A
B1	KIT1801692	KIT ASSEMBLY,MOUNTING,ELEVATING LEGRESTS,JAZZY AIR	1	N/A
C1	HDW125250	SCREW, SOCKET HEAD, M8X1.25 X 20, ISO 4762, CL 12.9, BZ, PVTP	4	6.04



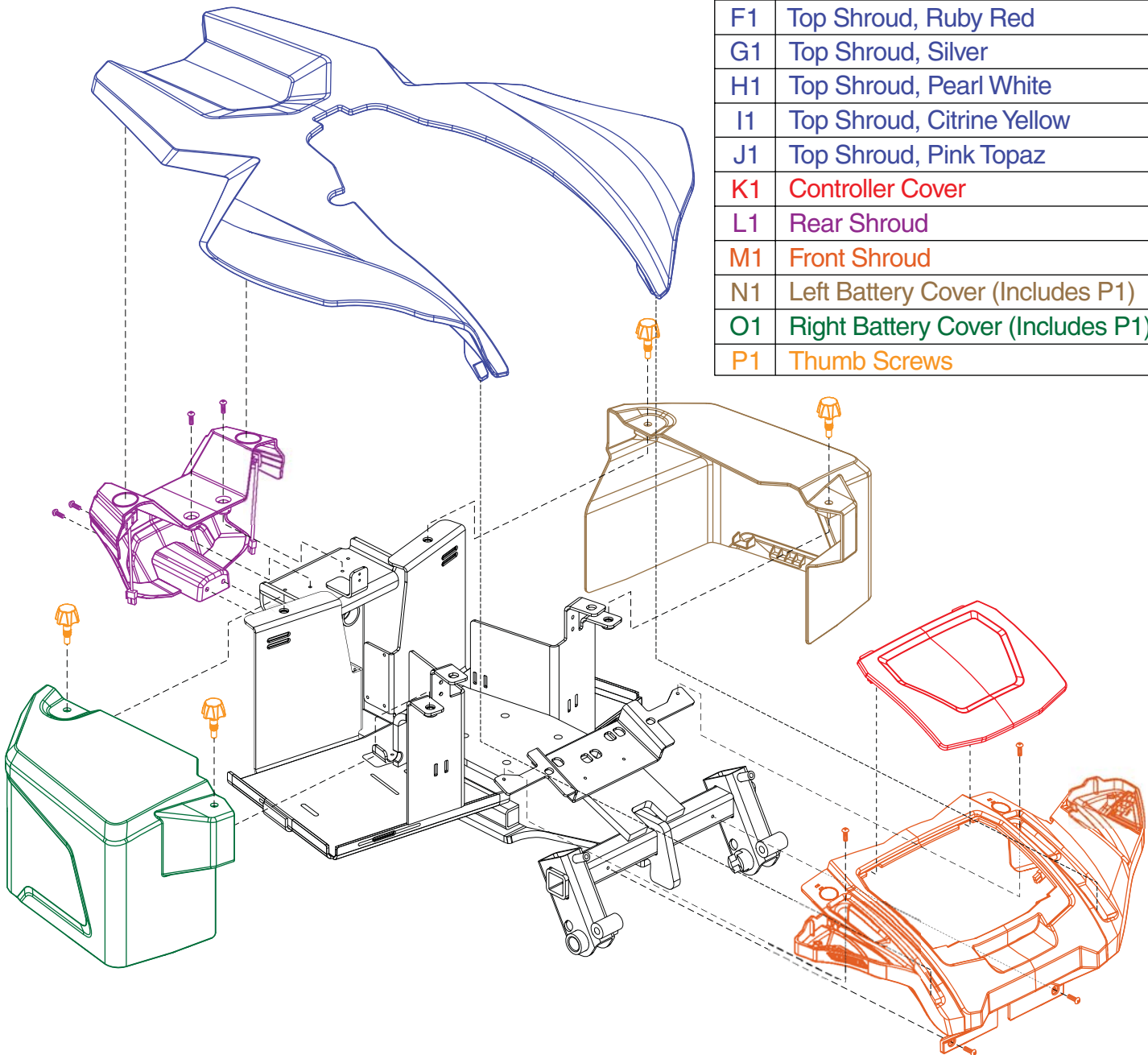
REF #	PART #	DESCRIPTION	QTY	¹¹ⁱ	MSRP (AU\$)
A1	SET1701577	SEAT,ASSY,FOLD FLAT CAPTAIN SEAT,BLACK VINYL,16 X 16-18 W/PRIDE LOGO,60" LAP BELT,(VISCOUNT: PR-102)	1		1399.12
B1	SET1701578	SEAT,ASSY,FOLD FLAT CAPTAIN SEAT,BLACK VINYL,18 X 18-20 W/PRIDE LOGO,60" LAP BELT,(VISCOUNT: PR-103)	1		1399.12
C1	SET1701579	SEAT,ASSY,FOLD FLAT CAPTAIN SEAT,BLACK VINYL,20 X 20-22 W/PRIDE LOGO,60" LAP BELT,(VISCOUNT: PR-104)	1		1466.6
D1	SET1701580	SEAT,ASSY,FOLD FLAT SOLID SEAT PAN,BLACK VINYL,16 X 16-18 W/PRIDE LOGO,60" LAP BELT,(VISCOUNT: PR-105)	1		1318.16
E1	SET1701581	SEAT,ASSY,FOLD FLAT SOLID SEAT PAN,BLACK VINYL,18 X 18-20 W/PRIDE LOGO,60" LAP BELT,(VISCOUNT: PR-106)	1		1318.16
F1	SET1701582	SEAT,ASSY,FOLD FLAT SOLID SEAT PAN,BLACK VINYL,20 X 20-22 W/PRIDE LOGO,60" LAP BELT,(VISCOUNT: PR-107)	1		1385.62
G1	ARM156696	ARMREST ASSEMBLY,LEFT/RIGHT,(VISCOUNT PR-15)	2		463.3
H1	SET160081	HEADREST ASSEMBLY,(VISCOUNT:H-PR15)	1		206.46
*I1	ACCBELT1002	LAP BELT,60",C-1010-336	1		111.42
*J1	HDW160283	HARDWARE,ASSY,VISCOUNT SEAT,JAZZY AIR	1		68.82
*K1	HDW125250	SCREW,SOCKET HEAD,M8X1.25 X 20,ISO 4762,CL 12.9,BZ,PVTP	4		6.04

Notes :

Items marked with "***" are not shown.

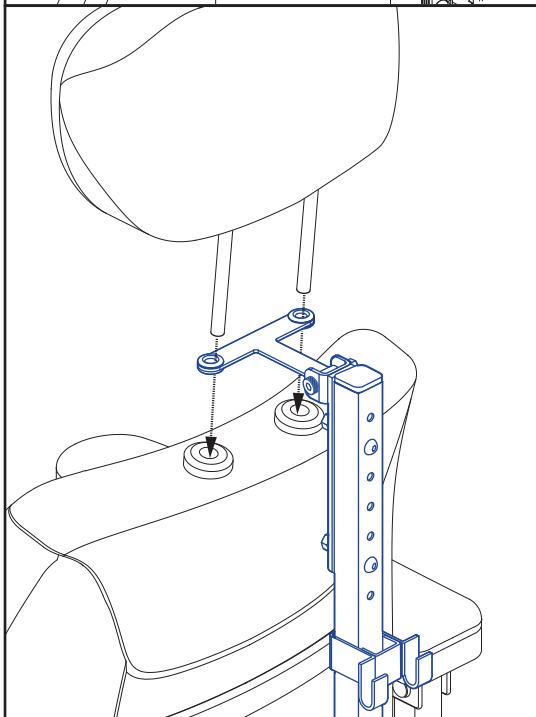
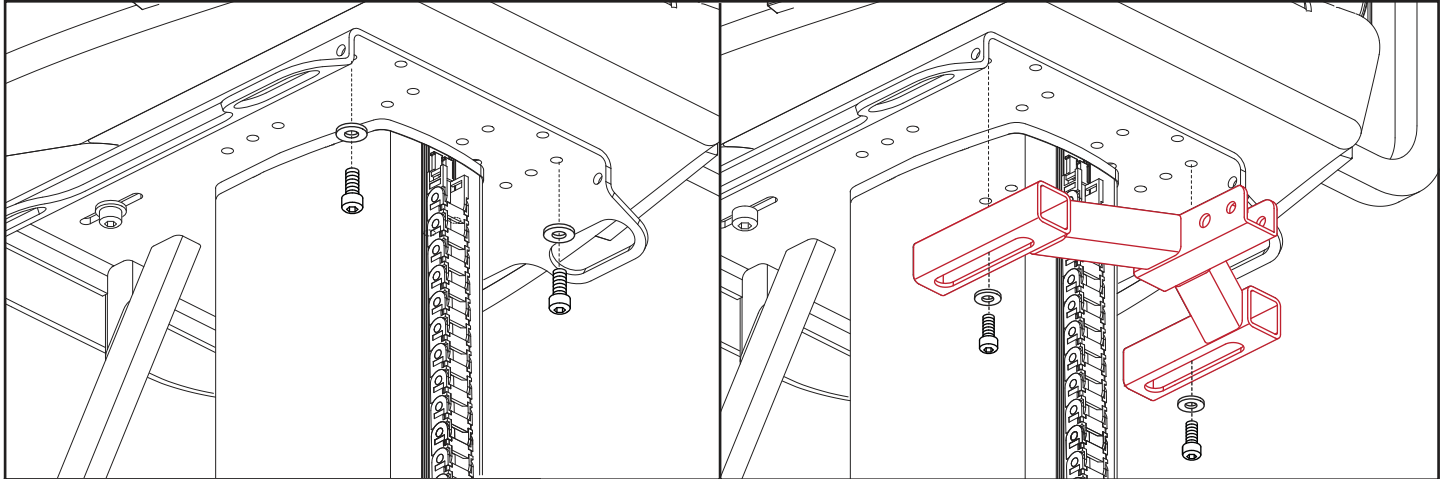
When applicable, assemblies are grouped by color.
All components with that color are included
in the assembly.

A1	Top Shroud, Onyx Black
B1	Top Shroud, Sapphire Blue
C1	Top Shroud, Gold
D1	Top Shroud, Amber Orange
E1	Top Shroud, Rose Quartz
F1	Top Shroud, Ruby Red
G1	Top Shroud, Silver
H1	Top Shroud, Pearl White
I1	Top Shroud, Citrine Yellow
J1	Top Shroud, Pink Topaz
K1	Controller Cover
L1	Rear Shroud
M1	Front Shroud
N1	Left Battery Cover (Includes P1)
O1	Right Battery Cover (Includes P1)
P1	Thumb Screws

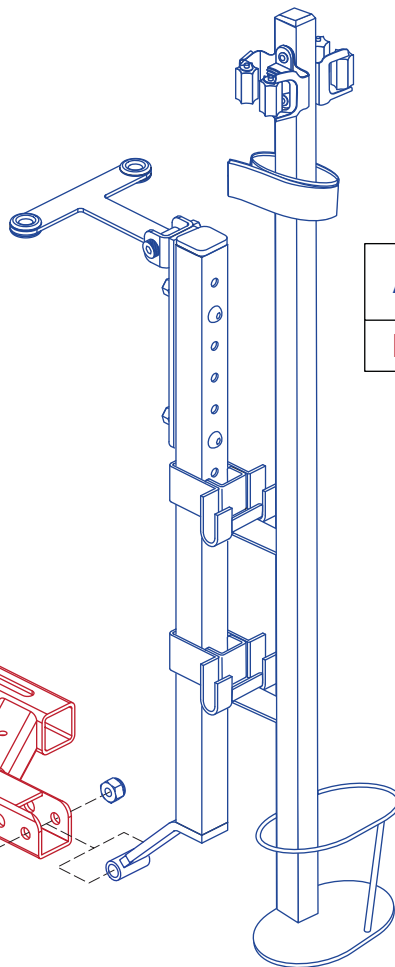


VII. Shroud Assembly

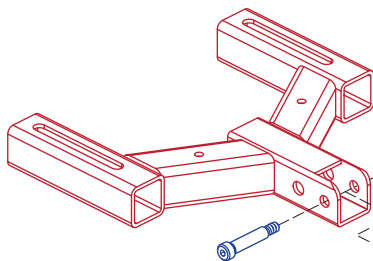
REF #	PART #	DESCRIPTION	QTY	MSRP (AU\$) ¹¹ⁱ
A1	DGN160789	TOP SHROUD ASSY,ONYX BLACK,JAZZY AIR	1	254.74
B1	DGN162570	TOP SHROUD ASSY,SAPPHIRE BLUE,JAZZY AIR	1	254.74
C1	DGN167718	TOP SHROUD ASSY,GOLD,JAZZY AIR	1	254.74
D1	DGN167716	TOP SHROUD ASSY,AMBER ORANGE,JAZZY AIR	1	254.74
E1	DGN167715	TOP SHROUD ASSY,ROSE QUARTZ,JAZZY AIR	1	254.74
F1	DGN1611019	TOP SHROUD ASSY,RUBY RED,JAZZY AIR	1	254.74
G1	DGN167719	TOP SHROUD ASSY,SILVER,JAZZY AIR	1	254.74
H1	DGN160790	TOP SHROUD ASSY,PEARL WHITE,JAZZY AIR	1	254.74
I1	DGN167717	TOP SHROUD ASSY,CITRINE YELLOW,JAZZY AIR	1	254.74
J1	DGN1702393	TOP SHROUD ASSY,PINK TOPAZ,JAZZY AIR	1	254.74
K1	DGN153478	CONTROLLER COVER	1	30.28
L1	DGN160107	SHROUD ASSY,REAR,W/LIGHTS,JAZZY AIR	1	146.96
M1	DGN160106	SHROUD ASSY,FRONT,W/LIGHTS,JAZZY AIR	1	217.8
N1	DGN160108	SHROUD,ASSY,BATTERY COVER,LEFT,JAZZY AIR	1	41.7
O1	DGN160109	SHROUD,ASSY,BATTERY COVER,RIGHT,JAZZY AIR	1	41.7
P1	PLSKNCP1070	THUMB SCREW,YELLOW,PLASTIC,M8-1.25 X 30MM,CUSTOM,C-1502-069	1	6.02



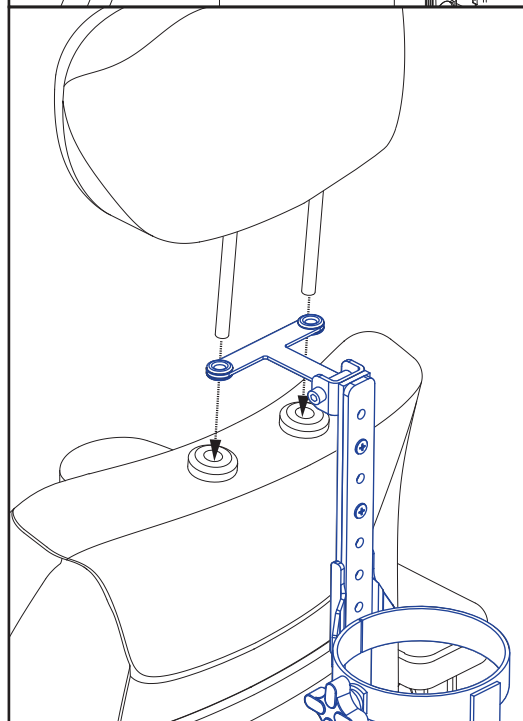
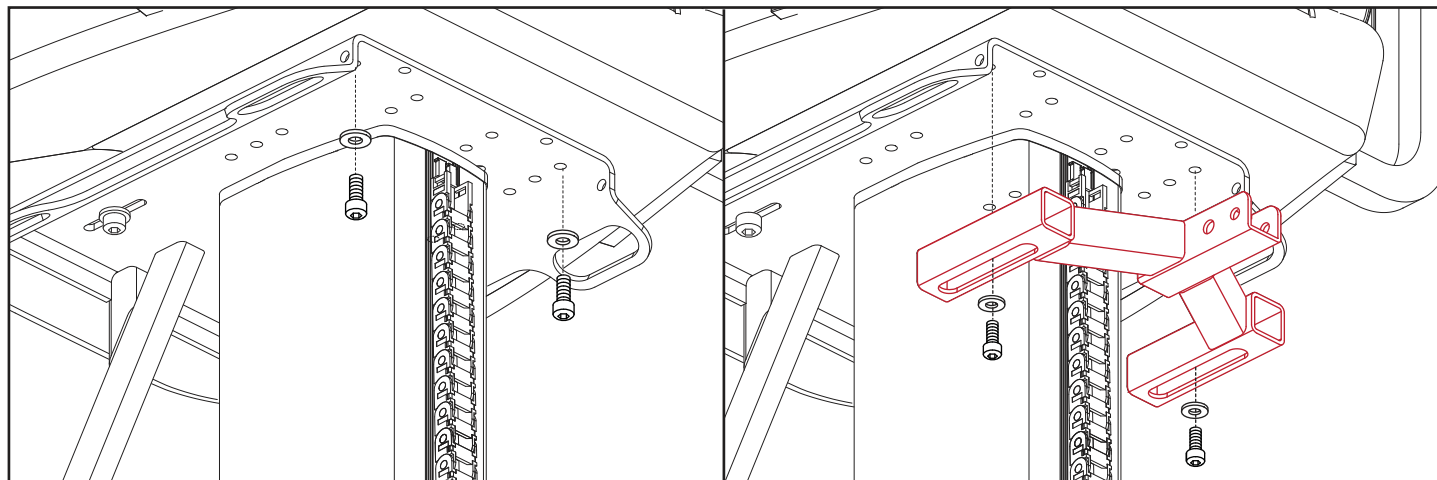
When applicable, assemblies are grouped by color. All components with that color are included in the assembly.



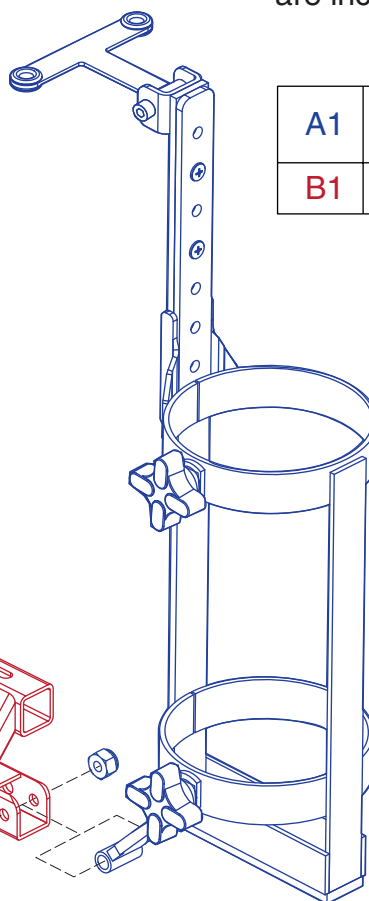
A1	Cane/Crutch Holder Assy (Includes B1)
B1	Accessory Tube



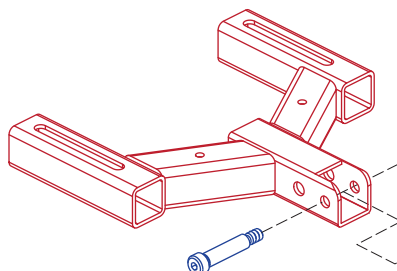
REF #	PART #	DESCRIPTION	QTY	MSRP (AU\$) ¹¹ⁱ
A1	ACC1610775	CANE/CRUTCH HOLDER ASSY, W/ACCESSORY TUBE AND HEADREST BRACKET, JAZZY AIR	1	893.92
B1	MEC165273	ACCESSORY TUBE WELDMENT, JAZZY AIR	1	450.04



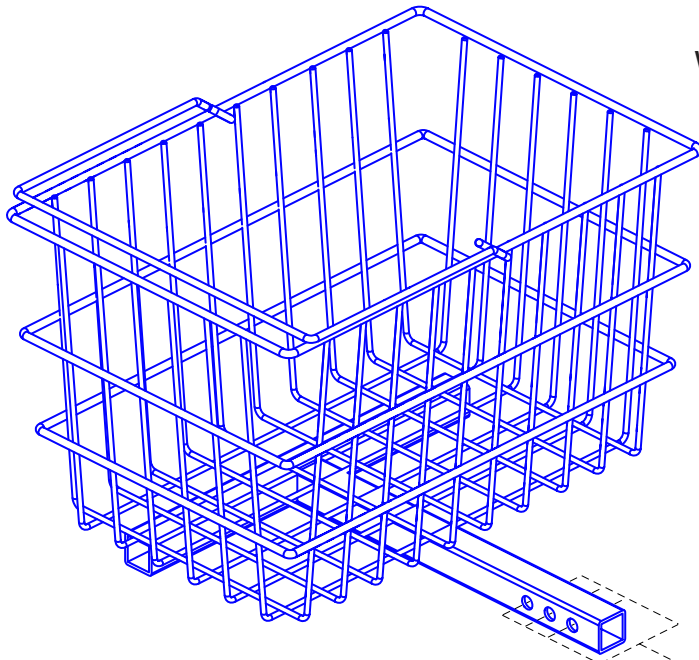
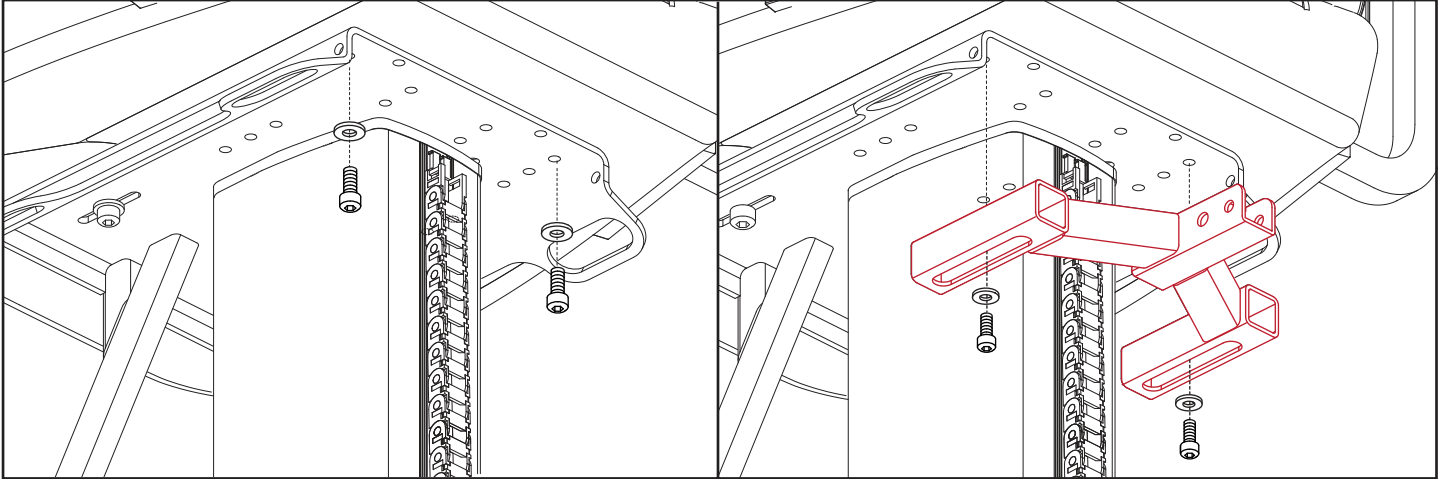
When applicable, assemblies are grouped by color. All components with that color are included in the assembly.



A1	Oxygen Holder Assy (Includes B1)
B1	Accessory Tube

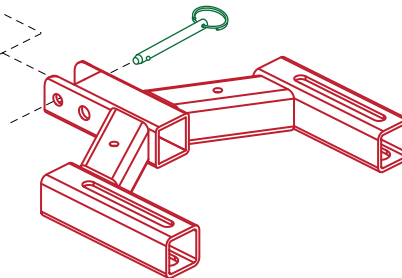


REF #	PART #	DESCRIPTION	QTY	MSRP (AU\$)
A1	ACC1610773	OXYGEN HOLDER ASSY,W/ACCESSORY TUBE AND HEADREST BRACKET,JAZZY AIR	1	913.82
B1	MEC165273	ACCESSORY TUBE WELDMENT, JAZZY AIR	1	450.04

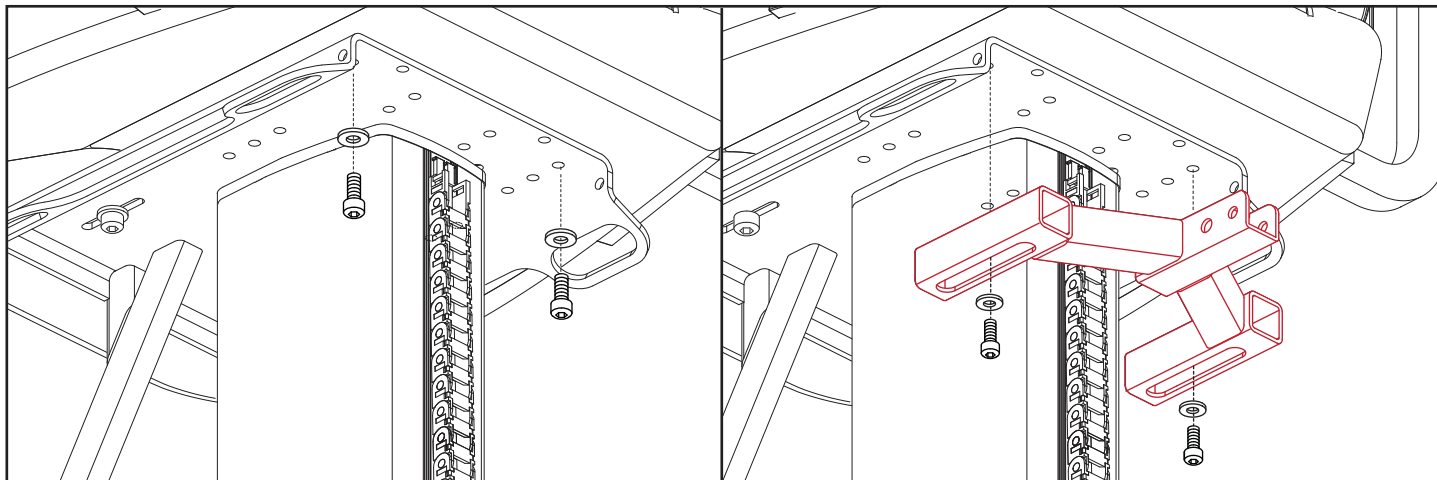


When applicable, assemblies are grouped by color. All components with that color are included in the assembly.

A1	Rear Basket Assembly (Includes B1 & C1)
B1	Cotterless Detent Pin
C1	Accessory Tube

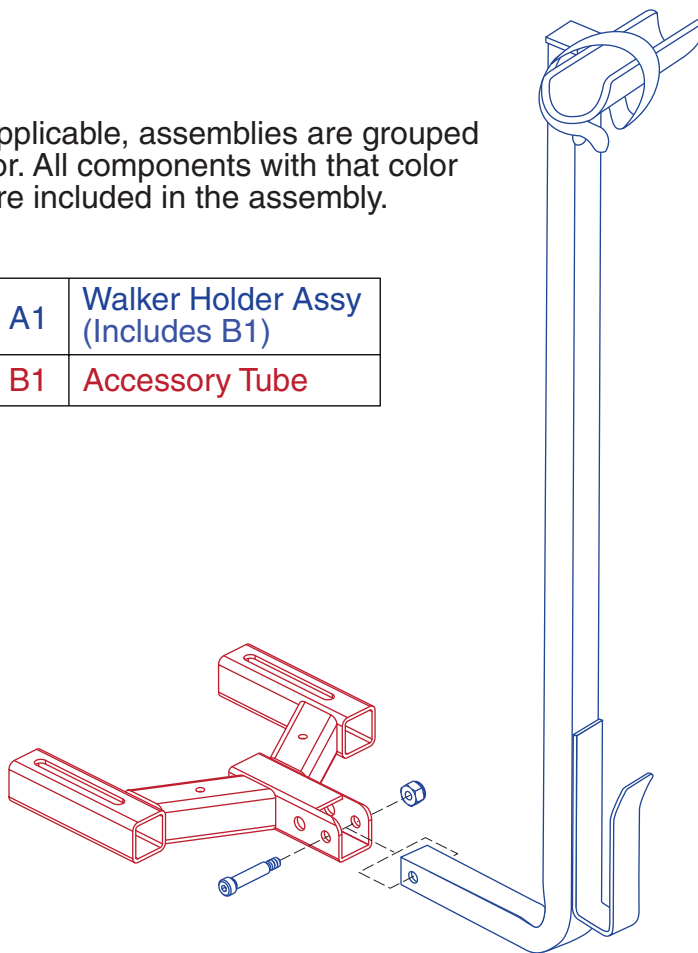


REF #	PART #	DESCRIPTION	QTY	MSRP (AU\$) ¹¹ⁱ
A1	ACC1610772	REAR BASKET ASSY,W/ACCESSORY TUBE,JAZZY AIR	1	696.6
B1	PINCOTD1006	PIN,COTTERLESS DETENT W/RING,.375" DIA X 2.00" GRIP LENGTH,B-1005-169	1	11.94
C1	MEC165273	ACCESSORY TUBE WELDMENT, JAZZY AIR	1	450.04



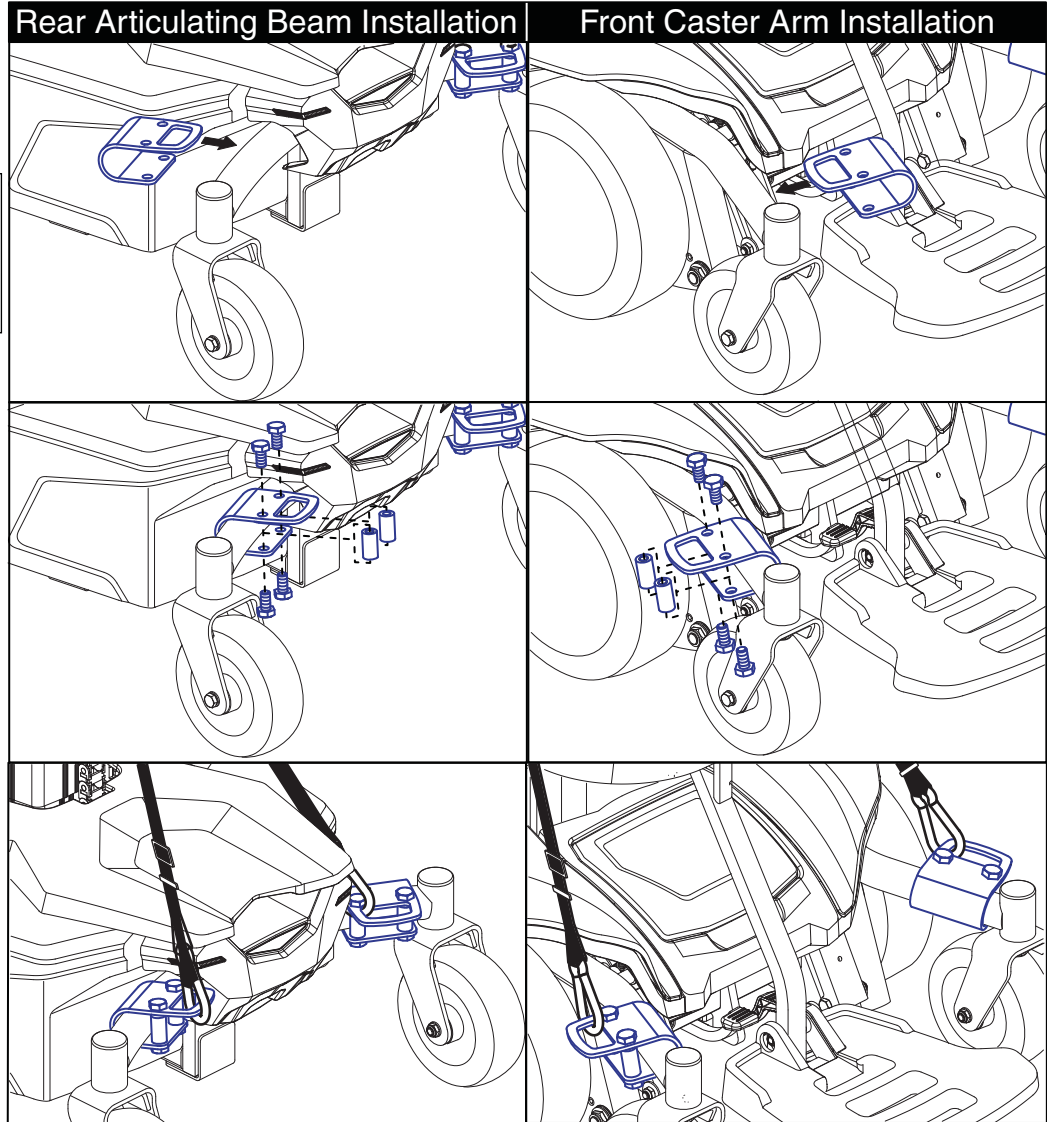
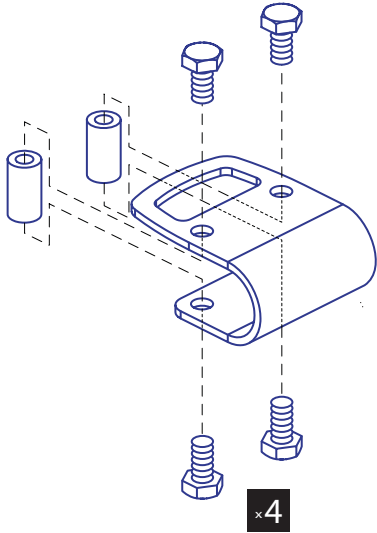
When applicable, assemblies are grouped by color. All components with that color are included in the assembly.

A1	Walker Holder Assy (Includes B1)
B1	Accessory Tube



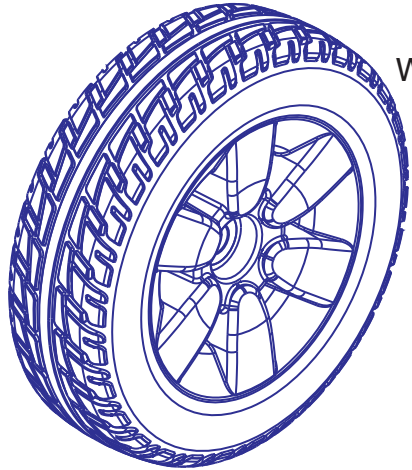
REF #	PART #	DESCRIPTION	QTY	MSRP (AU\$) ¹¹ⁱ
A1	ACC1610776	WALKER HOLDER ASSY, W/ACCESSORY TUBE, JAZZY AIR	1	877.56
B1	MEC165273	ACCESSORY TUBE WELDMENT, JAZZY AIR	1	450.04

A1 Docking Device Assembly, Complete (Includes four bolt-on loop assemblies.)



When applicable, assemblies are grouped by color. All components with that color are included in the assembly.

REF #	PART #	DESCRIPTION	QTY	MSRP (AU\$) ¹¹ⁱ
A1	MEC1611900	JAZZY AIR DOCKING ASSY, COMPLETE	1	N/A



When applicable, assemblies are grouped by color. All components with that color are included in the assembly.

A1	Wheel Assy
----	------------

REF #	PART #	DESCRIPTION	QTY	MSRP (AU\$) ¹¹ⁱ
A1	WHLASMB2045	WHEEL,ASSY,FLAT FREE,SILVER RIM/BLACK TIRE,10",D-1203-065	1	210.18

REF #	PART #	DESCRIPTION	QTY	MSRP (AU\$) ¹¹ⁱ
*N/A	INFMANU3992	MANUAL,CONSUMER SAFETY GUIDE,POWERCHAIR	1	5.84
*N/A	INFINFB3072	MANUAL,PRODUCT INSERT SHEET,POWER CHAIR WARRANTY,AUSTRALIA	1	N/A
*N/A	INFMANU4722	MANUAL,OWNER'S,JAZZY AIR,ENGLISH	1	28.66
*N/A	INFINFB3432	MANUAL,PRODUCT INSERT,SPECIFICATIONS,JAZZY AIR,ENGLISH	1	N/A
*N/A	INFINFB3503	MANUAL,PRODUCT INSERT SHEET,VR2,ENGLISH	1	N/A

REF #	PART #	DESCRIPTION	QTY	MSRP (AU\$) ¹¹ⁱ
*N/A	DWR1234L799	DECAL,ICON,1" X 2.5",WEATHER/MANUAL/LOOSE GARMENT,L-1234-799	1	6.04
*N/A	DWR1234L848	DECAL,LOGO,3.60" X 0.985",JAZZY,L-1234-848	1	6.14
*N/A	DWR1235L116	DECAL,ICON,TIE DOWN HOOK,L-1235-116	4	5.92
*N/A	DWR1235L515	DECAL,WARNING,BATTERY WARNINGS,L-1235-515	1	7.16
*N/A	DWR1235L520	DECAL,CAUTION,EXTENSION CORD/GROUNDING PRONG,L-1235-520	1	7.16
*N/A	DWR1235L521	DECAL,WARNING,CONTROLLER CORD PLACEMENT,L-1235-521	1	6.6
*N/A	DEC8120018	DECAL,NOT RATED FOR OCCUPIED TRANSPORT,POWER CHAIR	2	17.48
*N/A	LAB148325	DECAL,READ OWNERS MANUAL, 19.1 DIAMETER	1	6.04
*N/A	LAB155762	DECAL,FREEWHEEL, JAZZY AIR	2	6.04
*N/A	LAB155754	DECAL,AESTHETIC, JAZZY AIR	2	6.04
*N/A	LAB155755	DECAL,DATA PLATE, JAZZY AIR(US)	1	6.04

Notes :

Not applicable.



Pride[®]

Mobility Products Corp.

www.pridemobility.com

Pride[®] Mobility Products Corporation

182 Susquehanna Avenue
Exeter, PA 18643
USA

Pride[®] Mobility Products Company

5095 South Service Road
Beamsville, ON L0R 1B3
Canada

Pride[®] Mobility Products Ltd.

32 Wedgwood Road
Bicester, Oxfordshire OX26 4UL
UK

Pride[®] Mobility Products Australia Pty. Ltd.

20-24 Apollo Drive
Hallam, Victoria 3803
Australia

Pride[®] Mobility Products New Zealand Ltd.

38 Lansford Crescent
Avondale
Auckland, New Zealand 1007

Pride[®] Mobility Products Italia S.r.l.

Via del Progrosso - ang. Via del Lavoro
Loc. Prato della Corte
00065 - Fiano Romano (RM)

**Pride[®] Mobility Products Europe B.V.
(Authorised EU Representative)**

Castricummer Werf 26
1901 RW Castricum
The Netherlands

Pride[®] Mobility Products Spain

Calle Velazquez 80 6D
28001 Madrid
Spain

Pride[®] Mobility Products France

26 rue Monseigneur Ancel
69 800 Saint-Priest