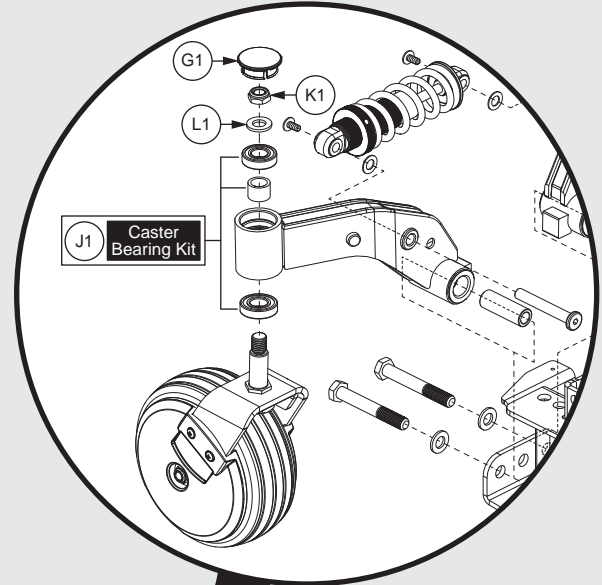


4FRONT®

PRIDE
MOBILITY
LIVE YOUR BEST®



Illustrated Parts Breakdown



This Illustrated Parts Breakdown (IPB) Catalog has been compiled from the latest product information available at the time of publication. Quantum Rehab[®] / Pride Mobility Products[®] Corporation reserves the right to make changes and updates to this manual and to the product(s) it represents. Any changes, updates, or improvements to the product(s) may result in slight differences between this manual and the product that has been purchased.

An IPB is a graphically portrayed parts listing of product components which have been deemed to have serviceable, maintenance significance. When applicable, IPBs utilize “exploded” illustrations that detail serviceable components and a corresponding itemized parts list of reference numbers, part numbers, descriptions, quantities, and any applicable pricing. Most product components are incorporated into assemblies and may not be available for replacement.

Serviceable components will be noted by a callout in the illustration that will correspond to a alphanumeric reference number in the parts list. Items may also be listed in the parts list by parent assemblies. In most cases when a parent assembly is listed, there will be child parts or sub-assemblies listed under that parent.

For example: The parent assembly reference number is A1 — A5. That part contains all of the items listed as and contained within A1, A2, A3, A4, & A5. As long as these subcomponents have a callout associated with them, they can be selected for replacement or quote.

Updates to the contents of an IPB will be made on a regular basis based upon applicable product changes and enhancements. This PDF catalog has been export from the Provider based service site. The most up to date parts look up tool and ordering application is located at: prideprovider.com. Please utilize this system to enhance your user experience. It is built with highly interactive materials that are set with relational properties that will facilitate easier part look-up, more accurate parts selection, notification of onhand part availability, and quick links to related documents and products.

We welcome all questions and comments regarding the Quantum Rehab[®] / Pride Mobility Products[®] Corporation IPB systems.

Any pricing that is included in Quantum Rehab[®] /Pride Mobility Products[®] Corporation IPBs is subject to change without prior notice.

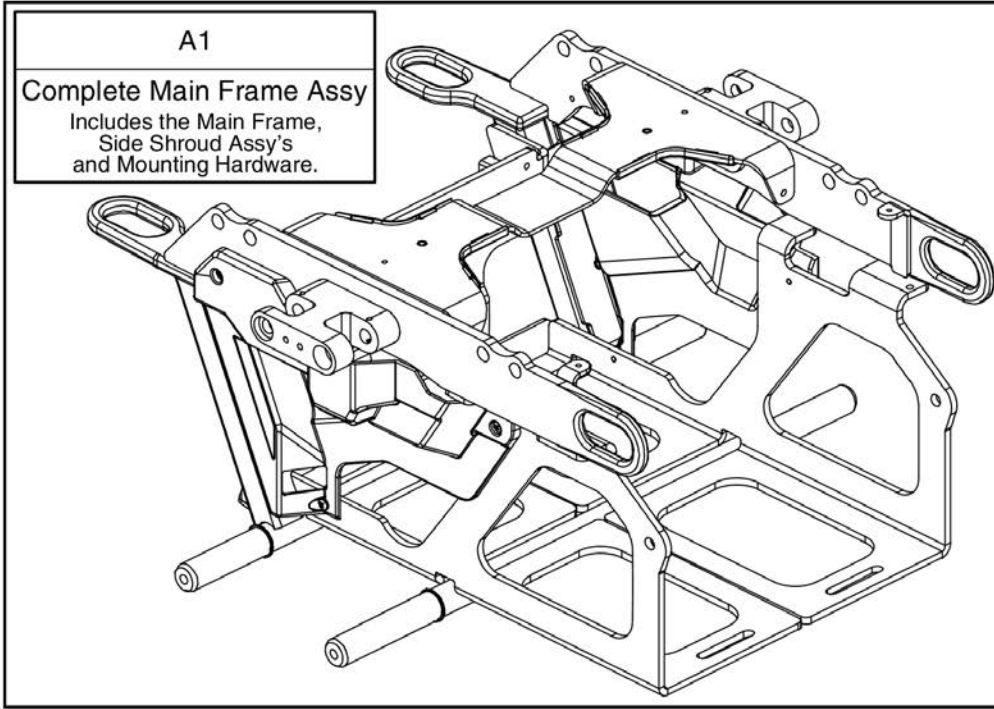
Thank you for choosing products from Quantum Rehab[®] and Pride Mobility Products[®] Corporation.



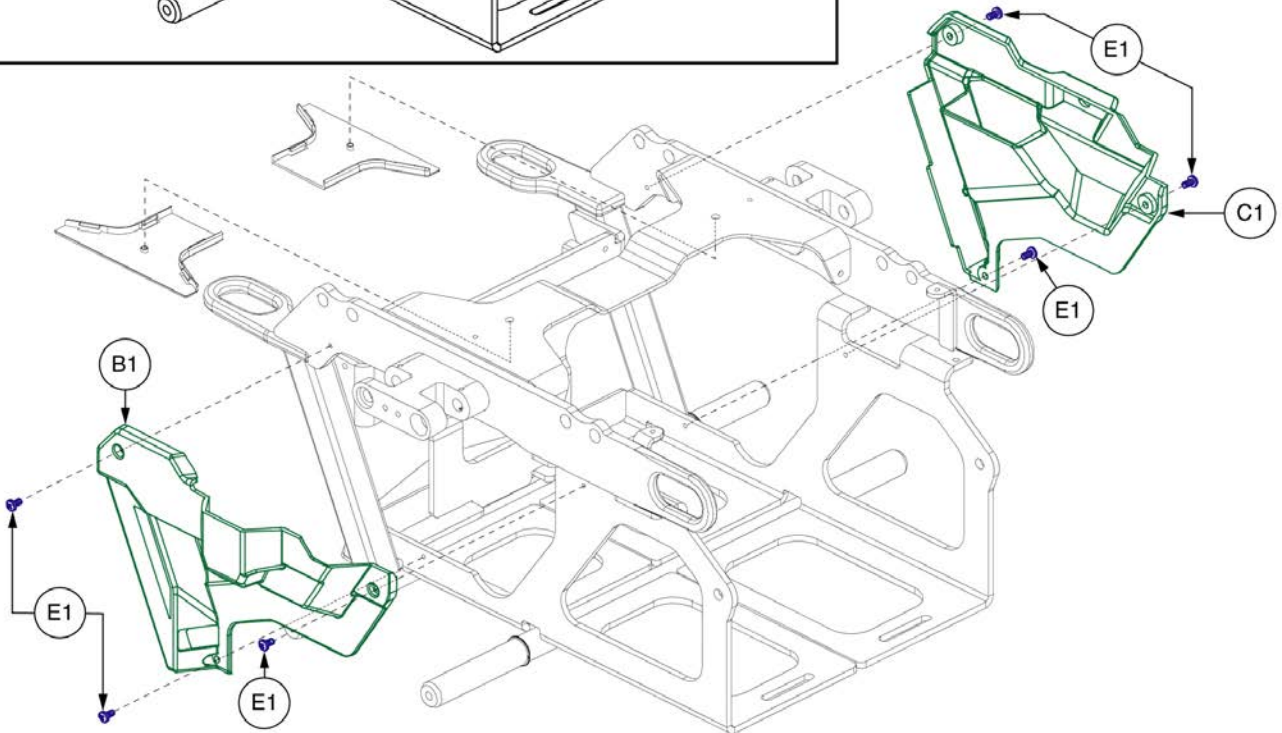
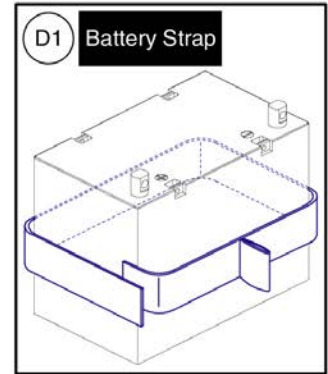
1. Main Frame Assy	
Main Frame Assembly, 4Front	1
2. Anti-tip Assy	
Anti-tip Assembly, 4Front	3
3. Suspension Assy's	
Suspension Spring Packages, 4Front	5
4. Rear Caster Arm Assy	
Rear Caster Arm, Wheel, Sensor Assembly, 4Front	7
5. Drive Motor & Motor Mount Assy's	
Drive Motor & Motor Mount Assy w/ Hub, 4Front	9
6. Q-Logic 3 Joysticks	
Q-Logic 3 Joystick Assy's	11
Q-Logic 3e Joystick Assy's - 4Front	13
Q-Logic 3 Stand Alone Joystick Assy	15
Q-Logic 3 SD Cards for 4Front	17
Joystick Knobs & Overlays	
Aftermarket Joystick Knobs	19
Q-Logic Joystick Knobs	21
Q-Logic 2 & 3 Joystick Shrouds	
Q-Logic 2 & 3 Joystick Shrouds	23
Joystick Bottom Housings	
Q-Logic 2 & 3 Joystick Bottom Housing w/Bus Cable	25
7. Q-Logic 3 Electronics Assy's	
Q-Logic 3 Electronics Assy Matrix - 6mph, 4Front	27
Q-Logic 3 Electronics Assy Matrix - 5mph (No Anti-tip), 4Front	29
Q-Logic 3 Modules, Harnessing, & Mounting Hardware, 4Front	31
Q-Logic 3 SD Cards for 4Front	33
8. Base Mounted Light Assy's	
Base Mounted Light Assemblies, 4Front	35
9. Shroud Assy's & Battery Access Brackets	
Front Door Shroud and Battery Access Bracket Assemblies, 4Front	37
Rear Shroud Assembly with and without Lighting, 4Front	39
Caster Arm Shroud Cover Assembly, 4Front	41
Top Cover Shroud Assembly, 4Front	43
10. Fender Assy's	
Fender Assembly (Units w/Base Mounted Lights or No Lights), 4Front	45
Fender Assembly with Lights, 4Front	47
11. Seat Mount Assy's	
Trapeze Bars & Captain's Seat Mount Assy, 4Front	49
12. Drive Wheel Assy's	
5-Spoke, 14" x 3" Drive Wheels	
Pneumatic Drive Wheel, 5 Spoke Black Rim / Black Tire, 4Front	51
Flat-free Drive Wheel, 5 Spoke Black Rim / Black Tire, 4Front	53
Painted Wheel Inserts	55

4-Spoke, 14" x 4" Drive Wheels (Knobby Tire)	
Pneumatic Drive Wheel, 4 Spoke Black Rim/Black "Knobby" Tire	57
Flat-free Drive Wheel, 4 Spoke Black Rim/Black "Knobby" Tire	59
5-Spoke, 14" x 4" Drive Wheels (Knobby Tire)	
Flat-free Drive Wheel, 5 Spoke, Black Rim / Black "Knobby" Tire, 14" x 4"	61
13. Batteries	
Group 24, 75AH, MK, AGM - BAT121347	63
Group 34 Flush Mount Terminal Battery	65
Group 34 Battery, Interceptor	67
14. Battery Charger	
8 amp CTE Charger, Australia	69
8 Amp UPG Charger Assy, AGM / GEL Selectable	71
15. Joystick Mounts & Receivers	
15.1. Swing-away, Version 3	
Swing-away Joystick Bracket & Components, Version 3	73
15.2. Version 2. Swing-away/Multi-axis Joystick Brackets	
Swing-away & Multi-axis Mount Matrix, Rehab Seat, Version 2	75
Swing-away & Multi-axis Mount Matrix, Captain Seat, Version 2	77
Swing-away Joystick Bracket Components, Version 2	79
Multi-Axis Joystick Bracket Components, Version 2	81
15.3. Retract 4 Swing-away Joystick Bracket	
Retract 4 Swing-away Joystick Bracket for Curtis Joysticks	83
15.4. Stealth Swing-away / Flip-down Joystick Bracket	
Stealth Swing-away / Flip Down Joystick Brackets & Mounts	85
15.5. Fixed Inline Joystick Brackets	
Fixed Joystick Mounts, Quantum Joysticks	87
15.6. Joystick Bracket Receivers	
Joystick Receiver Mounts, Quantum	89
16. Owner's & Decal Packages	
Decal Package, 4Front	91
Owner's Package, 4Front	93
17. Quantum Color Reference Chart	
Quantum Color Reference Chart	95
Appendix A:Pages Index	96
Appendix B:Parts Index	97

1. Main Frame Assy



Only items or assy's with callouts are available for replacement.

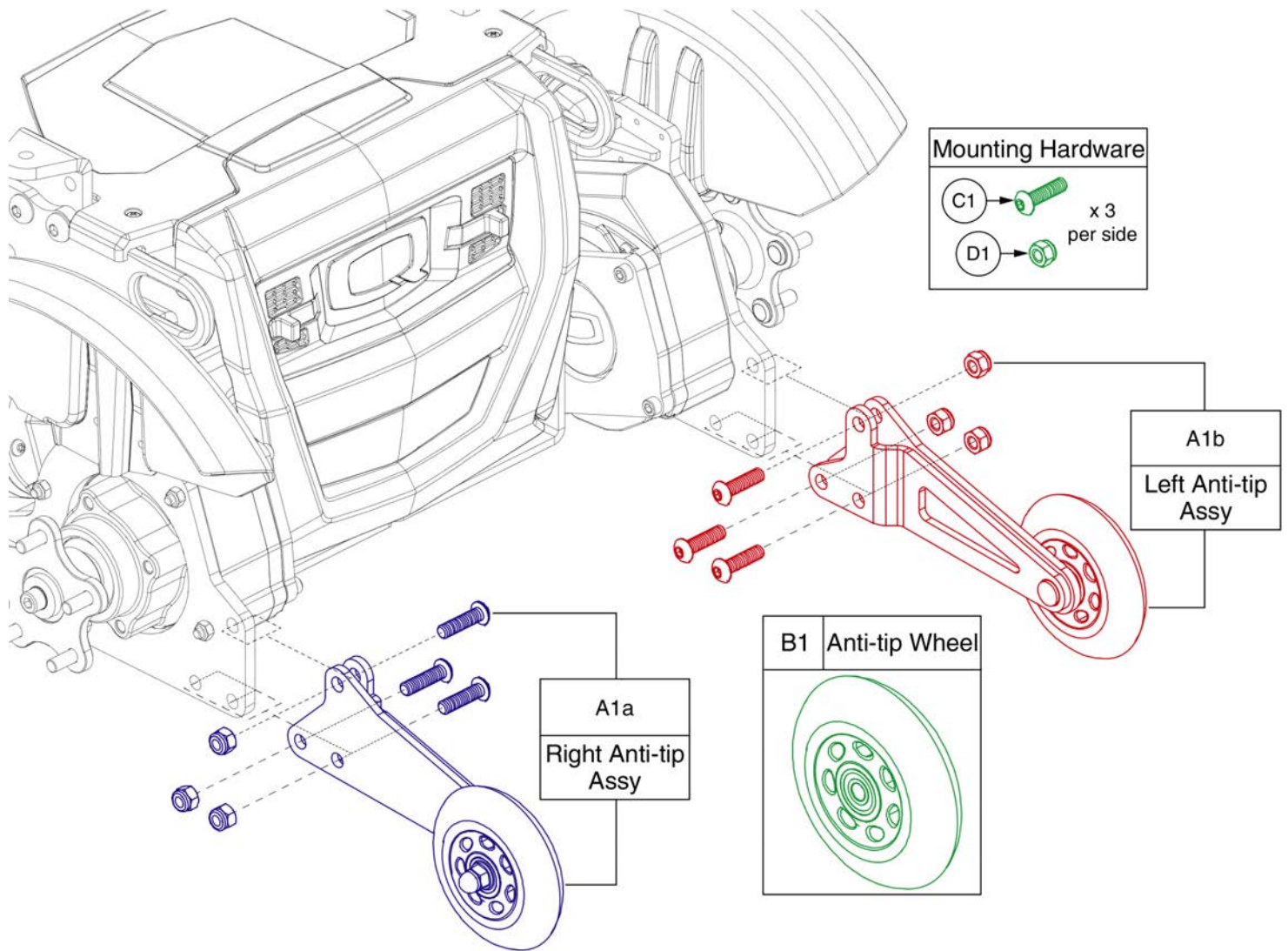


Main Frame Assembly, 4Front



Item	Part No.	Name	Qty
A1	MEC1700180	MAIN FRAME ASSEMBLY	1
B1	DGN1611521	SIDE SHROUD ASSEM, WITH REFLECTOR, RIGHT	1
C1	DGN1611522	SIDE SHROUD ASSEM, WITH REFLECTOR, LEFT	1
D1	STP8120001	STRAP, REAR BATTERY PULL	1
E1	SCRPPH1036	SCREW, PAN HEAD, TYPE H, M4X0.7 X 8, FT, ISO 7045, CL 4.8, BZ	1

2. Anti-tip Assy



Item	Part No.	Name	Qty
A1a	MEC1705020	ANTI-TIP MOUNT ASSEMBLY, RIGHT	1
A1b	MEC1705019	ANTI-TIP MOUNT ASSEMBLY, LEFT	1
B1	WHLASMB1523	WHEEL,ASSY,ANTI-TIP,100MM OD X 23.76MM TH,W/BEARINGS & SPACER,C-1505-032	1
C1	SCRASBH1241	SCREW,BHSCS,BLACK ZINC,M8-1.25 X 30MM,GRADE 10.9	3
D1	NUTNYLK1011	NUT,NYLOCK,BLACK ZINC,M8-1.25	3

3. Suspension Assy's

Individual components are not available. The complete assy or the front/rear assy must be selected.

Complete Suspension Assy's
Contains 2 front & 2 rear spring assy's & the mounting hardware.

Ref #	Spring Package
A1	Medium
B1	Standard
C1	Lift
D1	Stiff / No Anti-tip

Rear Suspension Assy
Contains 1 rear spring assy & the mounting hardware.

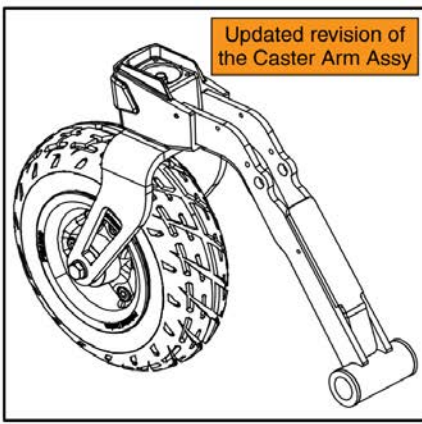
Ref #	Spring Package
I1	Medium, Standard, Lift, & Stiff / No Anti-tip

NOTE: Both the Left & Right sides must be replaced for units prior to S/N JE334118165020

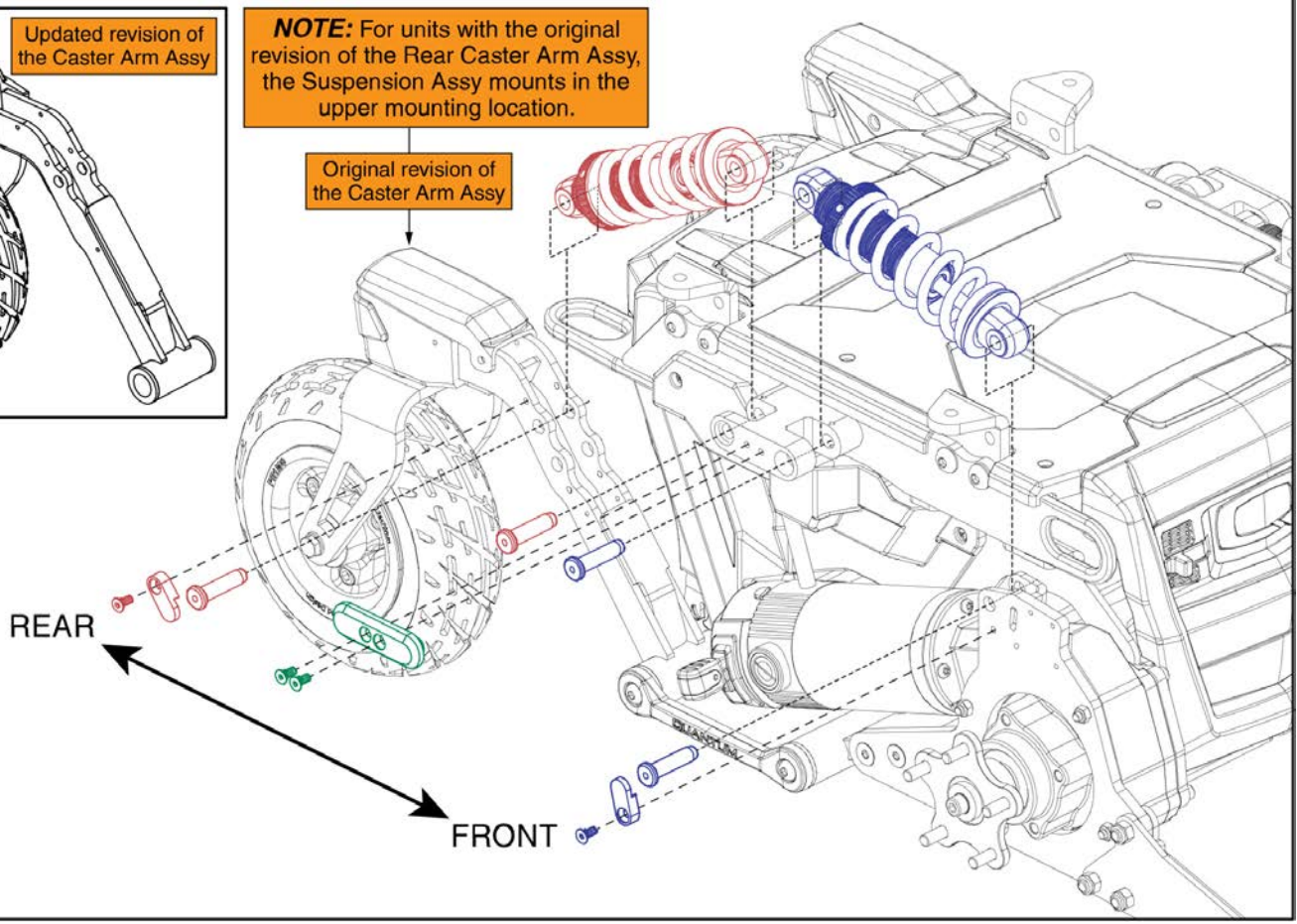
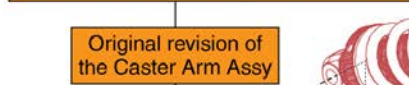
Front Suspension Assy's
Contains 1 front spring & the mounting hardware.

Ref #	Spring Package	S/N Cut-in
E1	Medium	JE319619236020
F1	Standard	N/A
G1	Lift	JE314819029020
H1	Stiff / No Anti-tip	JE334418071020

NOTE: Both the Left & Right sides must be replaced for units manufactured prior to S/N cut-in listed.



NOTE: For units with the original revision of the Rear Caster Arm Assy, the Suspension Assy mounts in the upper mounting location.

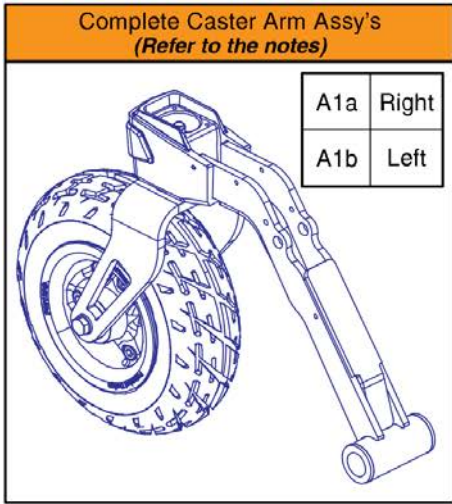


Suspension Spring Packages, 4Front



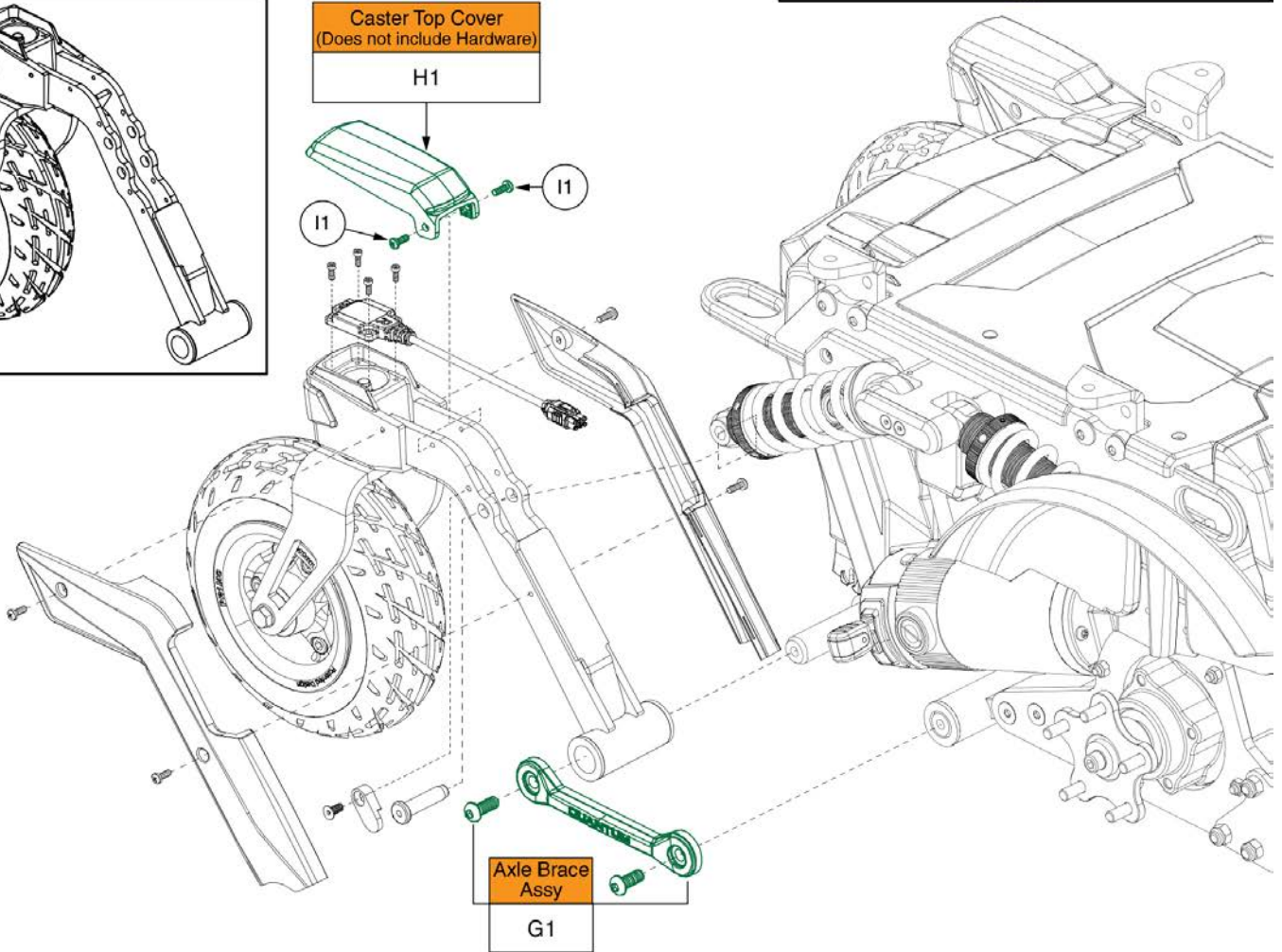
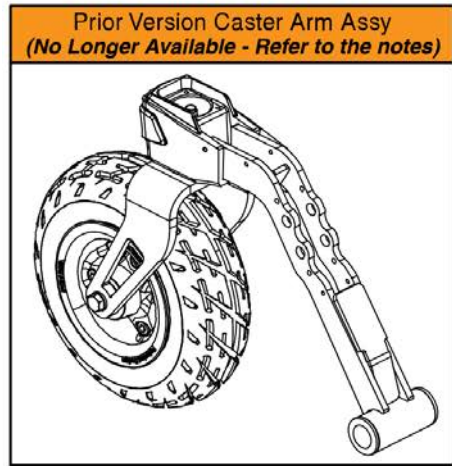
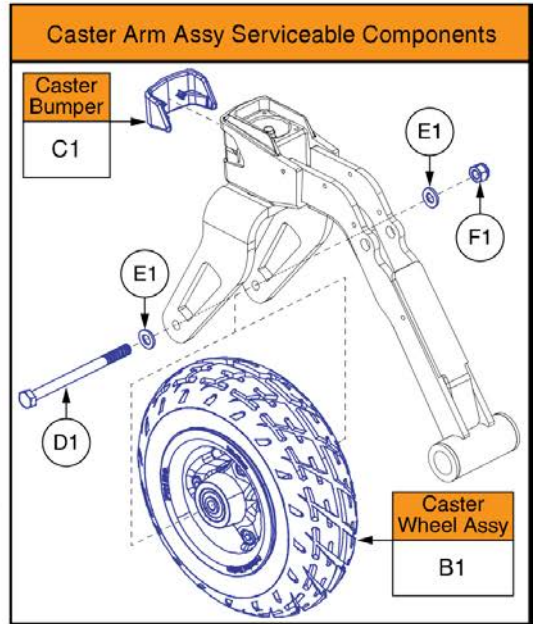
Item	Part No.	Name	Qty
A1	MEC1701456	SUSPENSION,ASSY,QUANTUM 4FRONT,MEDIUM	1
B1	MEC1701457	SUSPENSION,ASSY,QUANTUM 4FRONT,STANDARD	1
C1	MEC1707412	SUSPENSION,ASSY,QUANTUM 4FRONT,LIFT	1
D1	MEC1705357	SUSPENSION,ASSY,QUANTUM 4FRONT,HD	1
E1	MEC1901294	FRONT SUSPENSION,4FRONT,TECH REPLACEMENT,(MEDIUM PACKAGE)	1
F1	MEC1900678	FRONT SUSPENSION,4FRONT,TECH REPLACEMENT,(STANDARD PACKAGE)	1
G1	MEC1904106	FRONT SUSPENSION,4FRONT,TECH REPLACEMENT,(LIFT PACKAGE)	1
H1	MEC1810496	FRONT SUSPENSION,4FRONT,TECH REPLACEMENT,(HD PACKAGE)	1
I1	MEC1810495	REAR SUSPENSION,4FRONT,TECH REPLACEMENT,(STANDARD / LIFT / HD PACKAGE)	1

4. Rear Caster Arm Assy



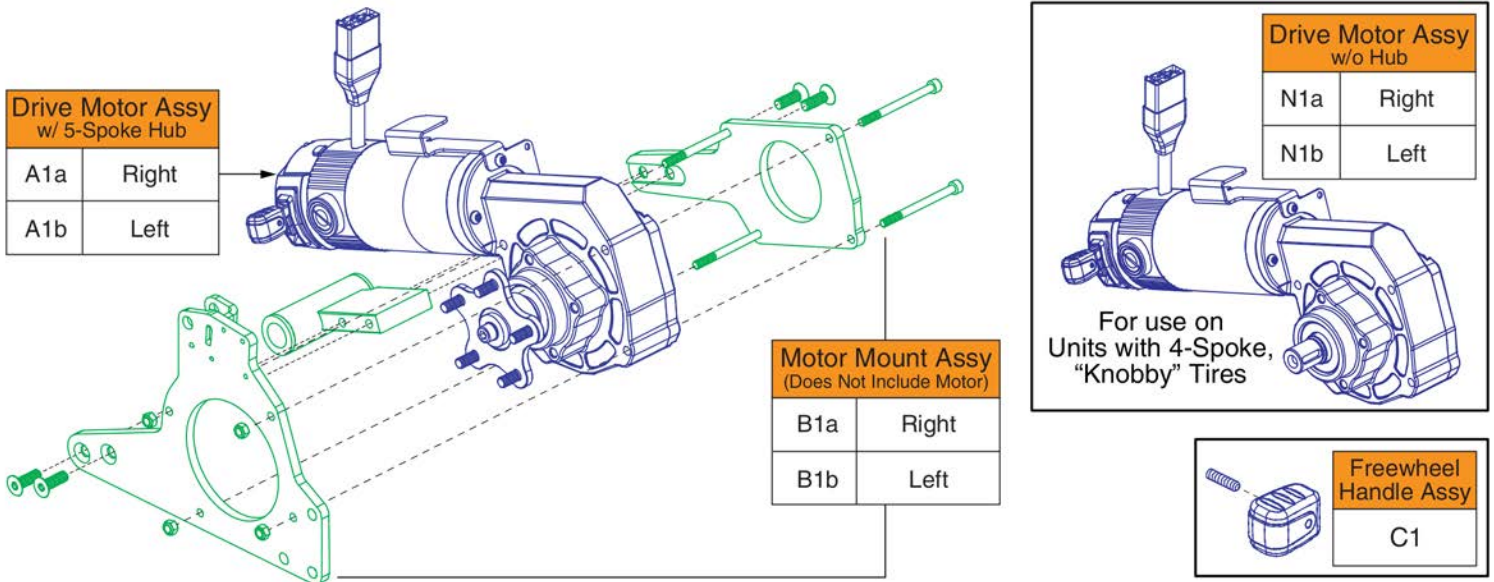
Caster Arm Notes

- If replacement is required, both the Right & Left Caster Arm Assy's must be replaced on units prior to **S/N JE304920137020**.
- This revision of the Complete Arm Assy's replace all previous versions. The geometry of the physical arm has changed. All other components have remained the same.
- The Complete Caster Arm Assy includes the Arm, Fork, Wheel Assy, and Mounting Hardware.
- The Complete Assy DOES NOT contain the Caster Top Cover, Arm Shrouds, Axle Brace, or Caster Sensor Harness.
- The Caster Angle Sensor Encoder (CASE) system may require re-calibration. Contact Technical Service for more information.

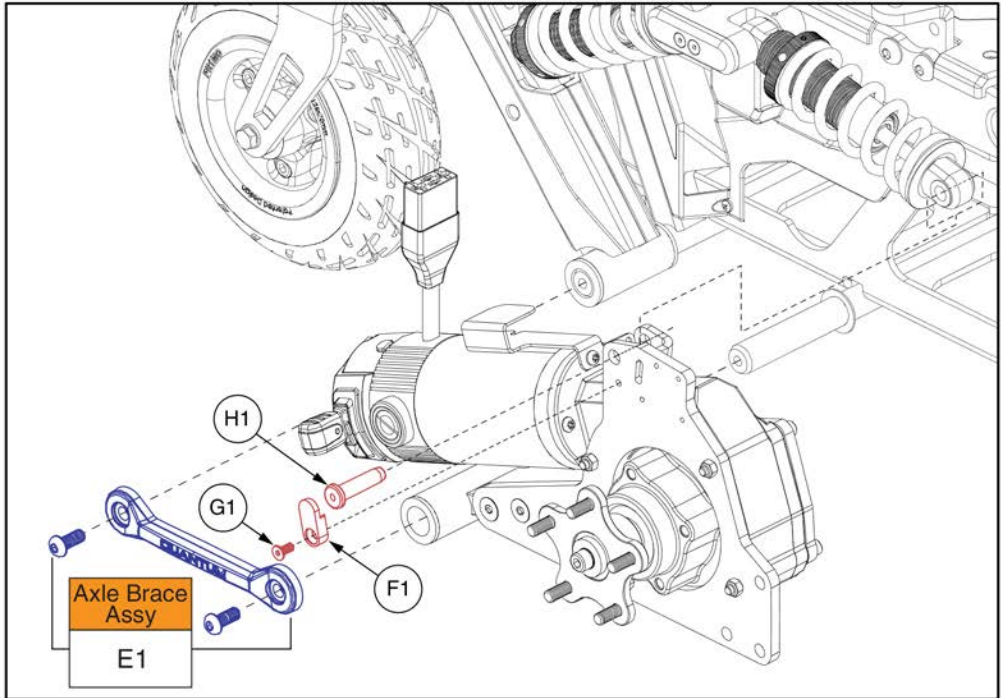
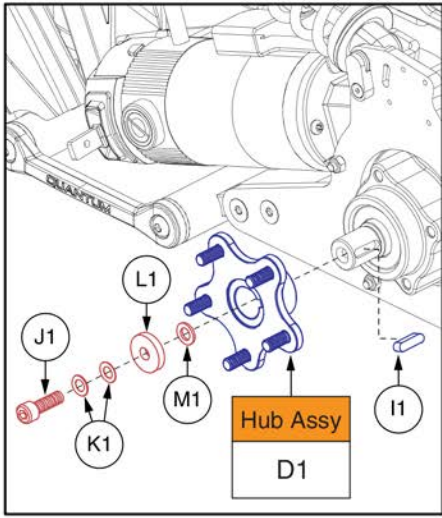


Item	Part No.	Name	Qty
A1a	MEC1700200-A	CASTER ARM ASSEMBLY, RIGHT: BLACK RIM, BLACK TIRE	1
A1b	MEC1700199-A	CASTER ARM ASSEMBLY, LEFT: BLACK RIM, BLACK TIRE	1
B1	WHL1703592	WHEEL,ASSY,FLAT FREE,9" CASTER,BLACK RIM/BLACK TIRE,D-1202-030	1
C1	DGN168155	FWD CASTER BUMPER	1
D1	HDW1703195	SCREW, HEX HEAD, M8X1.25 X 110, ISO 4014, CL 12.9, BZ	1
E1	HDW138262	WASHER, FLAT, 8.4 ID X 16 OD X 1.6 THK, ISO 7089-8-200 HV, BZ	2
F1	NUTNYLK1011	NUT,NYLOCK,BLACK ZINC,M8-1.25	1
G1	MEC1700444	AXLE BRACE ASSEMBLY	1
H1	DGN168154	FWD CASTER TOP CAP	1
I1	SCRPPH1036	SCREW, PAN HEAD, TYPE H, M4X0.7 X 8, FT, ISO 7045, CL 4.8, BZ	2

5. Drive Motor & Motor Mount Assy's



For use on Units with 4-Spoke, "Knobby" Tires



Drive Motor & Motor Mount Assy w/ Hub, 4Front



Item	Part No.	Name	Qty
A1a	MOT1703685-01	FWD RIGHT MTR HUB ASMB, CURTIS, 700MM LEADS	1
A1b	MOT1703686-01	FWD LEFT MTR HUB ASMB, CURTIS, 700MM LEADS	1
B1a	MEC160250	MOTOR MOUNT ASSEMBLY, RIGHT	1
B1b	MEC160251	MOTOR MOUNT ASSEMBLY, LEFT	1
C1	FRMASMB8691	FREEWHEEL,ASSY,RELEASE HANDLE GRIP,YELLOW,B-1160-051	1
D1	MEC145417	HUB ASSEMBLY	1
E1	MEC1700444	AXLE BRACE ASSEMBLY	1
F1	MEC168447	PIN CAP	1
G1	HDW120030	SCREW,SHFH,BLACK ZINC,M5-.8 X 12MM,GR 10.9,W/PATCH	1
H1	MEC166095	PIVOT PIN	1
I1	HDW146546	KEY, 6MM X 6MM X 22MM, DIN 6885	1
J1	HDW147828	SCREW, ZINC, SHCS, M8 X 1.25, 25MM L	1
K1	HDW147829	WASHER, SHIM, M8, DIN 988	2
L1	HDW147826	WASHER, FLAT, ZINC, M8, 25MM OD X 5MM THK	1
M1	HDW147827	WASHER, FLAT, NYLON, M8, 15MM OD X 1.5MM THK	1
N1a	MOT1703683-01	FWD RIGHT MTR GB BRK ASMB, CURTIS, 700MM LEAD	1
N1b	MOT1703684-01	FWD LEFT MTR GB BRK ASMB, CURTIS, 700MM LEADS	1

6. Q-Logic 3 Joysticks

Q-Logic 3 Joysticks

* Q-Logic 3 Joystick replacement requires the selection of a Pre-programmed SD Card. SD Cards are not shown. Refer to the model specific SD Card pages for selection. *

Q-Logic 3 Joysticks (Shroud NOT Included) Select Separately	
A1	Standard
B1	Lighting

Standard Inline Joystick Mounting Bracket Assy	
C1	

Joystick Replacement notes:

- The replacement joystick DOES NOT include the painted shroud. Please utilize the existing. If required, it must be selected separately.
- The replacement joystick DOES NOT include the SD card. Refer to the model specific SD Card pages for selection.
- A Pre-programmed, Joystick mounted SD Card is required when:
 - Replacing a Joystick, Power Base Module, Seating Module, or Display.
 - Any circumstance where all of the electronics modules require replacement.
 - When retrofitting a unit in the field to Q-Logic 3 Electronics.
- The Q-Logic 3 system will reprogram the unit based upon the information loaded onto the SD card. A new SD card ensures the unit is loaded with the latest software.
- Contact Technical Service for more information.

D1	Speed Knob

E1	Joystick Knob

Lower Housing w/ Bus Cable	
F1	

- Refer to the Joystick Mounts & Receivers Sections for more Joystick mounting options.

Q-Logic 3 Joystick Assy's



Item	Part No.	Name	Qty
A1	CTL143976	EXPANDABLE CONTROLLER W/ JOYSTICK AND LCD COLOR DISPLAY, Q-LOGIC 3, 4-KEY, (CURTIS: 17949700-02-0009)	1
B1	CTL143977	EXPANDABLE CONTROLLER W/ JOYSTICK AND LCD COLOR DISPLAY AND LIGHTS, Q-LOGIC 3, 4-KEY, (CURTIS: 17949700-02-0109)	1
C1	FRMASMB10617	JOYSTICK MOUNTING BRACKET,ASSY,CURTIS,INLINE	1
D1	DGN124309	SPEED WHEEL,KNOB,CURTIS Q-LOGIC 2,BLACK,PLASTIC,DGN124309,(CURTIS: 17949367-01)	1
E1	DGN154742	JOYSTICK, KNOB, Q-LOGIC 3, 6.35MM-ID, (CURTIS: 17519114-01)	1
F1	ELE144006	ELECTRONIC, BOTTOM HOUSING, JOYSTICK MODULE Q-LOGIC 3,W/ BUS CABLE Q-LOGIC 3, (CURTIS: 17949366-02)	1

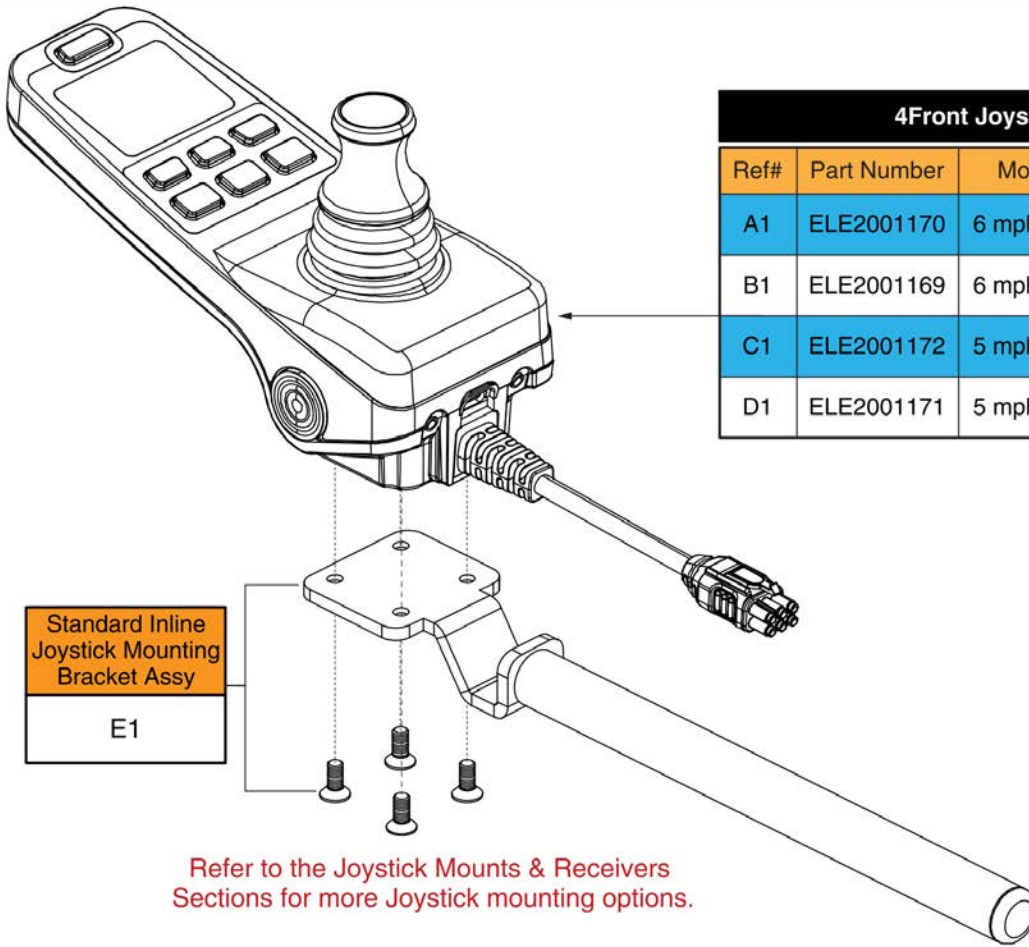
6. Q-Logic 3 Joysticks

Q-Logic 3e Joysticks

Joystick Replacement Notes:

- The proper joystick assembly with programming must be selected to ensure the unit functions as intended.
- A pre-programmed SD card is **NOT** needed when replacing or retrofitting a Q-Logic 3e joystick on a unit. The latest firmware and program file are stored internally on the new joystick.
- The Q-Logic 3e joystick is compatible with all previous and current units equipped with Q-Logic 3 electronics and can be used in place of the full-featured joystick.

Contact Technical Service for more information.



4Front Joysticks w/ Programming			
Ref#	Part Number	Motors	Seating Config.
A1	ELE2001170	6 mph Linix	Static, w/ Anti-tips
B1	ELE2001169	6 mph Linix	Power Positioning, w/ Anti-tips
C1	ELE2001172	5 mph Linix	Static, w/o Anti-tips
D1	ELE2001171	5 mph Linix	Power Positioning, w/o Anti-tips

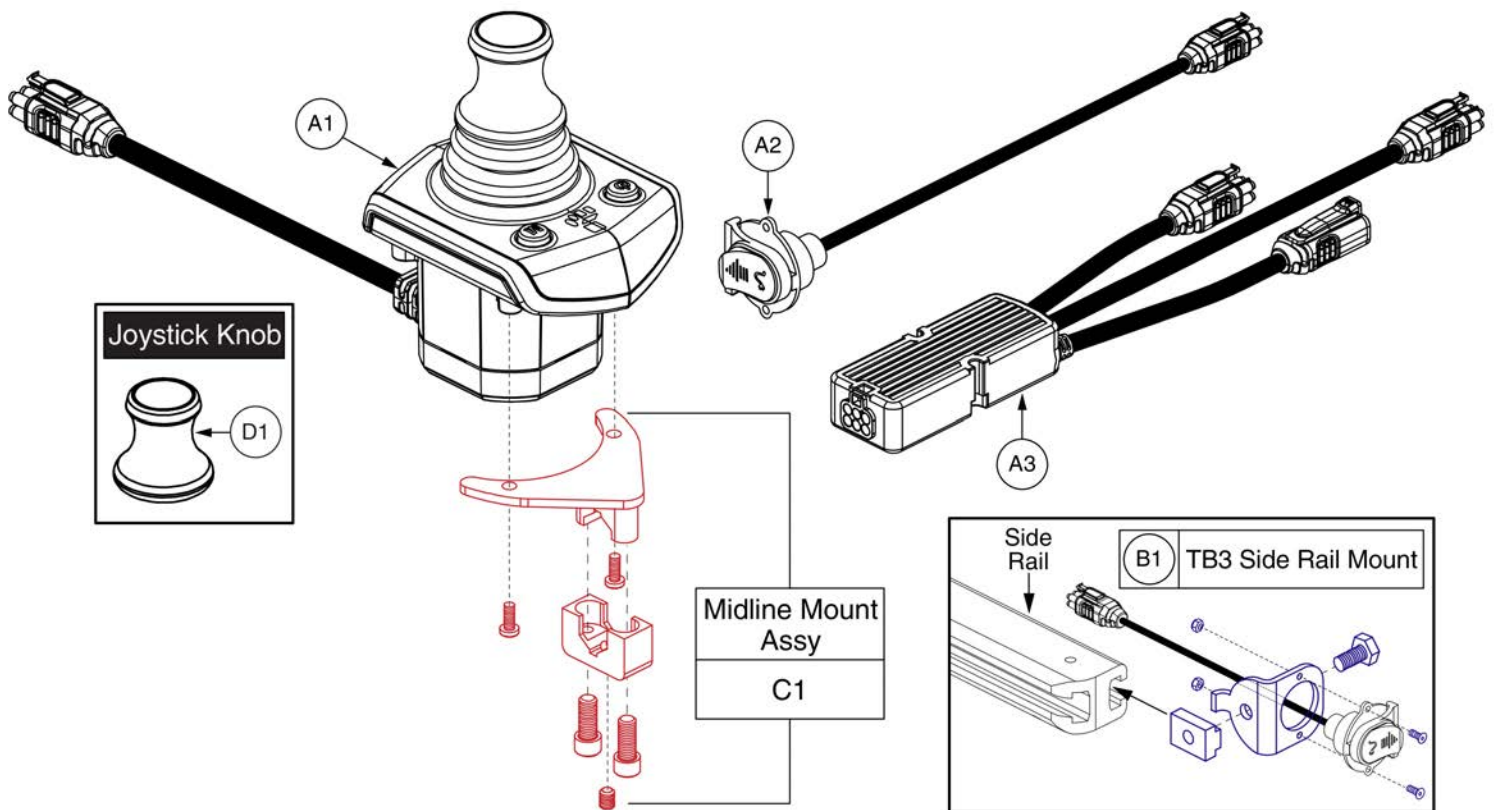
Refer to the Joystick Mounts & Receivers Sections for more Joystick mounting options.

Q-Logic 3e Joystick Assy's - 4Front



Item	Part No.	Name	Qty
A1	ELE2001170	SERVICEABLE ASSEMBLY, Q-LOGIC 3E, 4FRONT WITH ANTI-TIPS PROGRAM, 6MPH LINIX MOTORS, STATIC SEATING	1
B1	ELE2001169	SERVICEABLE ASSEMBLY, Q-LOGIC 3E, 4FRONT WITH ANTI-TIPS PROGRAM, 6MPH LINIX MOTORS, POWER POSITIONING	1
C1	ELE2001172	SERVICEABLE ASSEMBLY, Q-LOGIC 3E, 4FRONT WITHOUT ANTI-TIPS PROGRAM, 5MPH LINIX MOTORS, STATIC SEATING	1
D1	ELE2001171	SERVICEABLE ASSEMBLY, Q-LOGIC 3E, 4FRONT WITHOUT ANTI-TIPS PROGRAM, 5MPH LINIX MOTORS, POWER POSITIONING	1
E1	FRMASMB10617	JOYSTICK MOUNTING BRACKET,ASSY,CURTIS,INLINE	1

6. Q-Logic 3 Joysticks



Q-Logic 3 Stand Alone Joystick Assy

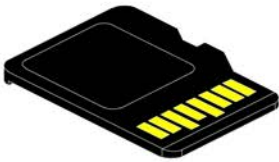


Item	Part No.	Name	Qty
A1	CTL143980	STANDALONE JOYSTICK, Q-LOGIC 3, (CURTIS: 17953700-1109)	1
A2	HAR144001	HARNESS, CHARGER/PROGRAMMER, Q-LOGIC 3, 0.9 METER,(CURTIS: 17880701)	1
A3	HAR144003	HARNESS, SEAT MULTIPLIER Q-LOGIC 3, (CURTIS: 17881360-02-01)	1
B1	FRMASMB11156	MOUNTING BRACKET,ASSY,STAND ALONE JOYSTICK,SIDE RAIL MOUNT,C-1360-163	1
C1	FRMASMB10454	JOYSTICK MOUNTING BRACKET,ASSY,CURTIS STAND ALONE JOYSTICK,MIDLINE,C-1010-263	1
D1	DGN154742	JOYSTICK, KNOB, Q-LOGIC 3, 6.35MM-ID, (CURTIS: 17519114-01)	1

6. Q-Logic 3 Joysticks

Q-Logic 3 SD Card Master List - 4Front

Ref#	Part Number	Motor Type	Options
A1	ELE1712717	6 mph Linix	Power Positioning, w/Anti-tips
B1	ELE1712722	6 mph Linix	Static, w/Anti-tips
C1	ELE1712725	5 mph Linix	Power Positioning, w/o Anti-tips
D1	ELE1712724	5 mph Linix	Static, w/o Anti-tips



Pre-programmed
Micro SD Card

Please note:

- Pre-programmed SD Cards are required when:
 - Replacing a Joystick, Power Base Module, or Seating Module. A firmware upgrade occurred requiring a system update to enable all of the enhanced features.
 - Any circumstance where all of the electronics modules require replacement.
- The Q-Logic 3 system will reprogram the unit based upon the information loaded onto the SD card.
- The proper, programmed SD card must be selected to ensure the unit functions as intended.

Q-Logic 3 SD Cards for 4Front



Item	Part No.	Name	Qty
A1	ELE1712717	SERVICEABLE ASSEMBLY,SD CARD,Q-LOGIC 3,4FRONT WITH ANTI-TIPS PROGRAM,6MPH LINIX MOTORS,POWER POSITIONING	1
B1	ELE1712722	SERVICEABLE ASSEMBLY,SD CARD,Q-LOGIC 3,4FRONT WITH ANTITIPSPROGRAM,6MPH LINIX MOTORS,STATIC SEATING	1
C1	ELE1712725	SERVICEABLE ASSEMBLY,SD CARD,Q-LOGIC 3,4FRONT WITHOUT ANTI-TIPS PROGRAM,5MPH LINIX MOTORS,POWER POSITIONING	1
D1	ELE1712724	SERVICEABLE ASSEMBLY,SD CARD,Q-LOGIC 3,4FRONT WITHOUT ANTI-TIPS PROGRAM,5MPH LINIX MOTORS,STATIC SEATING	1

Joystick Knobs & Overlays

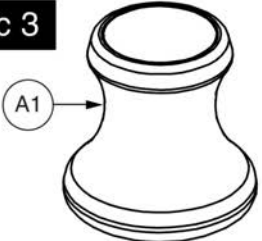
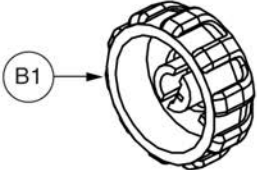
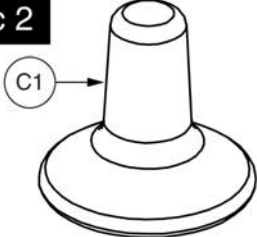
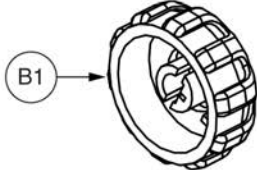
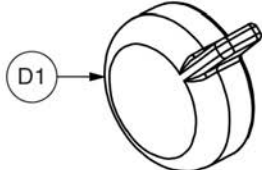
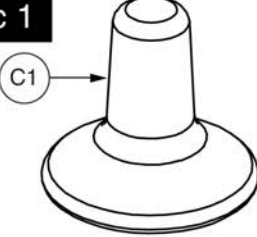
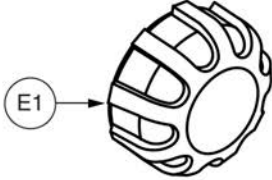
<p>A1 Soft Ball</p> 	<p>B1 I-Handle</p> 	<p>C1 T-bar</p> 	<p>D1 Ball</p> 				
<p>E1 Mushroom</p> 	<p>F1 Chin Cup</p> 	<p>G1 Remote Plus (Carrot)</p> 	<p>Goal Posts</p> <table border="1" data-bbox="1425 1062 1544 1167"> <tr> <td>H1</td> <td>3"</td> </tr> <tr> <td>I1</td> <td>4"</td> </tr> </table> 	H1	3"	I1	4"
H1	3"						
I1	4"						

Item	Part No.	Name	Qty
A1	ACCASMB1856	P&G JOYSTICK KNOB,ASSY,JAZZY,SOFT BALL	1
B1	ACCASMB1857	P&G JOYSTICK KNOB,ASSY,JAZZY,EXTENDED I-HANDLE	1
C1	ACCASMB1858	P&G JOYSTICK KNOB,ASSY,JAZZY,T BAR	1
D1	ACCASMB1859	P&G JOYSTICK KNOB,ASSY,JAZZY,BALL	1
E1	ACCASMB1860	P&G JOYSTICK KNOB,ASSY,JAZZY,MUSHROOM	1
F1	ACCASMB1861	P&G JOYSTICK KNOB,ASSY,JAZZY,CHIN CUP	1
G1	ACCASMB1862	P&G JOYSTICK KNOB,ASSY,JAZZY,REMOTE STANDARD	1
H1	PLSKNCP1057	JOYSTICK KNOB,3",GOAL POST,W/FLEX SHAFT,FOR 1/4" STEM,(BP: PC101B)	1
I1	PLSKNCP1058	JOYSTICK KNOB,4",GOAL POST,W/FLEX SHAFT,FOR 1/4" STEM,(BP: PC102B)	1

Joystick Knobs & Overlays

Please note:

- Joystick selection varies by power base model. Replacement parts shown may not be applicable to all power bases.
- Serviceable components vary for each version of the Q-Logic Joystick and only the serviceable parts are shown for each.
- Contact Technical Service for more information.

<p>Q-Logic 3</p>  <p>Joystick & Stand-alone/Attendant Gimble Knob</p>	 <p>Speed Knob</p>	
<p>Q-Logic 2</p>  <p>Joystick & Stand-alone/Attendant Gimble Knob</p>	 <p>Speed Knob</p>	 <p>On/Off/Mode Knob <i>(NOT compatible with Q-Logic 1 or 3)</i></p>
<p>Q-Logic 1</p>  <p>Joystick & Stand-alone/Attendant Gimble Knob</p>	 <p>Speed Knob</p>	

Q-Logic Joystick Knobs

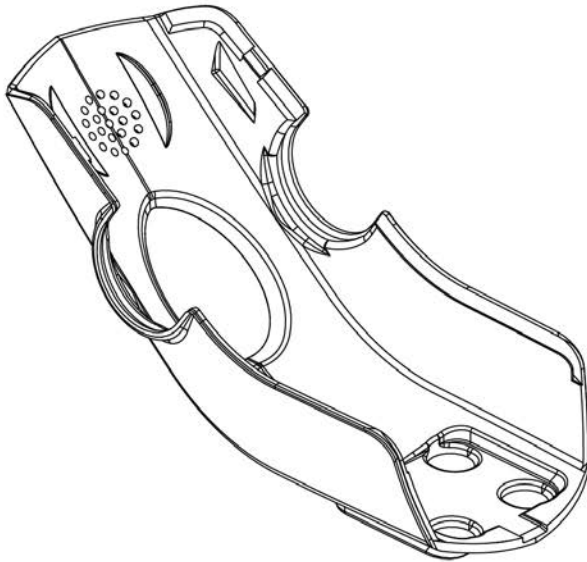


Item	Part No.	Name	Qty
A1	DGN154742	JOYSTICK, KNOB, Q-LOGIC 3, 6.35MM-ID, (CURTIS: 17519114-01)	1
B1	DGN124309	SPEED WHEEL, KNOB, CURTIS Q-LOGIC 2, BLACK, PLASTIC, DGN124309, (CURTIS: 17949367-01)	1
C1	DGN124308	JOYSTICK, KNOB, CURTIS, STANDARD, 6.35MM-ID, DGN124308, (CURTIS: 37381)	1
D1	KIT152919	KIT, ASSY, Q-LOGIC 2 CONTROLLER, ON/OFF/MODE TOGGLE REPLACEMENT, W/INSTALLATION INSTRUCTIONS	1
E1	PLSINDV1252	ELECTRONIC, KNOB, BLACK, PLASTIC, SPEED WHEEL, (CURTIS: 17856352-A)	1

Q-Logic 2 & 3 Joystick Shrouds

***Please Note:**

- The joystick shrouds are available in all the Quantum colors listed.
- Power base colors vary by model and some colors listed may not be available on all power bases. See the Quantum Color Reference Chart for color options.
- Some colors listed may have prolonged lead times.
- Contact Technical Service for more information.



Q-Logic 2 (Pre 2015)	
Ref#	Color Name
A1	Std., Soft Touch
A2	Black
A3	Silver
A4	Candy Apple Red
A5	Pearl Pink
A6	Sapphire Blue
A7	True Blue
A8	Viper Blue
A9	Emerald Green
A10	Orion Yellow
A11	Sunburst Orange

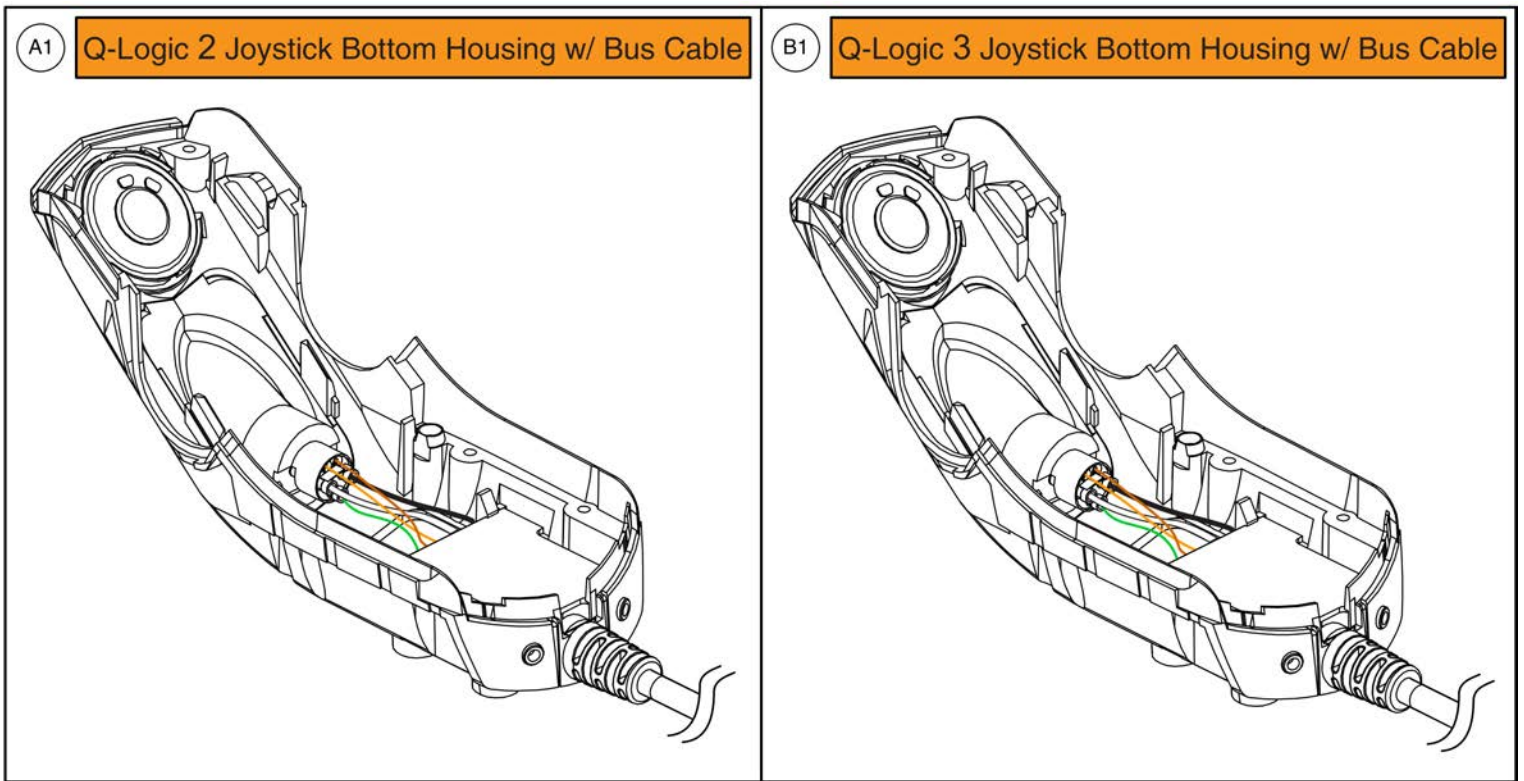
Q-Logic 2 (Post 2015) & Q-Logic 3	
Ref#	Color Name
B1	Std., Soft Touch
B2	Back in Black
B3	Night Train
B4	Grey Street
B5	Silver Bullet
B6	White Satin
B7	Red Corvette
B8	Cherry Bomb
B9	Pretty in Pink
B10	Raspberry Beret
B11	Sugar Plum
B12	Deep Purple
B13	Midnight Blue
B14	Electric Blue
B15	Blue Jean
B16	Green Machine
B17	Military Green
B18	Lime Light
B19	Yellow Blaze
B20	Lemon Crush
B21	Orange Crush
B22	Evolution Orange
B23	Carbon Fiber
B24	Digital Camo
B25	Faded Glory

Q-Logic 2 & 3 Joystick Shrouds



Item	Part No.	Name	Qty
A1	DGN124307	Q-LOGIC 2/3 JOYSTICK SHROUD,BLACK SOFT-TOUCH PAINT,(CURTIS: 17949365-02)	1
A2	DGN124336-PBK1	Q-LOGIC 2/3 JOYSTICK SHROUD,PPW-BLK-01 (BACK IN BLACK/BLACK)	1
A3	DGN124336-PSL1	Q-LOGIC 2/3 JOYSTICK SHROUD,PPW-SIL-01 (SILVER)	1
A4	DGN124336-PRD1	Q-LOGIC 2/3 JOYSTICK SHROUD,PPW-RED-01 (RED CORVETTE/CANDY APPLE RED)	1
A5	DGN124336-PPK1	Q-LOGIC 2/3 JOYSTICK SHROUD,PPW-PNK-01 (PEARL PINK)	1
A6	DGN124336-PPR4	Q-LOGIC 2/3 JOYSTICK SHROUD,PPW-PRP-04 (SAPPHIRE BLUE)	1
A7	DGN124336-PBU9	Q-LOGIC 2/3 JOYSTICK SHROUD,PPW-BLU-09 (ELECTRIC BLUE/TRUE BLUE)	1
A8	DGN124336-PBU1	Q-LOGIC 2/3 JOYSTICK SHROUD,PPW-BLU-01 (VIPER BLUE)	1
A9	DGN124336-PGN5	Q-LOGIC 2/3 JOYSTICK SHROUD,PPW-GRN-05 (EMERALD GREEN)	1
A10	DGN124336-PYL3	Q-LOGIC 2/3 JOYSTICK SHROUD,PPW-YEL-03 (YELLOW BLAZE/ORION YELLOW)	1
A11	DGN124336-POR4	Q-LOGIC 2/3 JOYSTICK SHROUD,PPW-ORN-04 (SUNBURST ORANGE)	1
B1	DGN124307	Q-LOGIC 2/3 JOYSTICK SHROUD,BLACK SOFT-TOUCH PAINT,(CURTIS: 17949365-02)	1
B2	DGN124336-PBK1	Q-LOGIC 2/3 JOYSTICK SHROUD,PPW-BLK-01 (BACK IN BLACK/BLACK)	1
B3	DGN124336-PBK3	Q-LOGIC 2/3 JOYSTICK SHROUD,PPW-BLK-03 (NIGHT TRAIN)	1
B4	DGN124336-PSL3	Q-LOGIC 2/3 JOYSTICK SHROUD,PPW-SIL-03 (GREY STREET)	1
B5	DGN124336-PSL7	Q-LOGIC 2/3 JOYSTICK SHROUD,PPW-SIL-07 (SILVER BULLET)	1
B6	DGN124336-PWH2	Q-LOGIC 2/3 JOYSTICK SHROUD,PPW-WHT-02 (WHITE SATIN)	1
B7	DGN124336-PRD1	Q-LOGIC 2/3 JOYSTICK SHROUD,PPW-RED-01 (RED CORVETTE/CANDY APPLE RED)	1
B8	DGN124336-PRD4	Q-LOGIC 2/3 JOYSTICK SHROUD,PPW-RED-04 (CHERRY BOMB)	1
B9	DGN124336-PPK3	Q-LOGIC 2/3 JOYSTICK SHROUD,PPW-PNK-03 (PRETTY IN PINK)	1
B10	DGN124336-PPK4	Q-LOGIC 2/3 JOYSTICK SHROUD,PPW-PNK-04 (RASPBERRY BERET)	1
B11	DGN124336-PPR7	Q-LOGIC 2/3 JOYSTICK SHROUD,PPW-PRP-07 (SUGAR PLUM)	1
B12	DGN124336-PPR5	Q-LOGIC 2/3 JOYSTICK SHROUD,PPW-PRP-05 (DEEP PURPLE)	1
B13	DGN124336-PBU10	Q-LOGIC 2/3 JOYSTICK SHROUD,PPW-BLU-10 (MIDNIGHT BLUE)	1
B14	DGN124336-PBU9	Q-LOGIC 2/3 JOYSTICK SHROUD,PPW-BLU-09 (ELECTRIC BLUE/TRUE BLUE)	1
B15	DGN124336-PBU11	Q-LOGIC 2/3 JOYSTICK SHROUD,PPW-BLU-11 (BLUE JEAN)	1
B16	DGN124336-PGN11	Q-LOGIC 2/3 JOYSTICK SHROUD,PPW-GRN-11 (GREEN MACHINE)	1
B17	DGN124336-PGN8	Q-LOGIC 2/3 JOYSTICK SHROUD,PPW-GRN-08 (MILITARY GREEN)	1
B18	DGN124336-PGN7	Q-LOGIC 2/3 JOYSTICK SHROUD,PPW-GRN-07 (LIME LIGHT)	1
B19	DGN124336-PYL3	Q-LOGIC 2/3 JOYSTICK SHROUD,PPW-YEL-03 (YELLOW BLAZE/ORION YELLOW)	1
B20	DGN124336-PYL4	Q-LOGIC 2/3 JOYSTICK SHROUD,PPW-YEL-04 (LEMON CRUSH)	1
B21	DGN124336-POR6	Q-LOGIC 2/3 JOYSTICK SHROUD,PPW-ORN-06 (ORANGE CRUSH)	1
B22	DGN124336-POR7	Q-LOGIC 2/3 JOYSTICK SHROUD,PPW-ORN-07 (EVOLUTION ORANGE)	1
B23	DGN124336-WCB1	Q-LOGIC 2/3 JOYSTICK SHROUD,PWT-CBN-01 (CARBON FIBER)	1
B24	DGN124336-WCM7	Q-LOGIC 2/3 JOYSTICK SHROUD,PWT-CMO-07 (MILITARY DIGITAL CAMO)	1
B25	DGN124336-WFL2	Q-LOGIC 2/3 JOYSTICK SHROUD,PWT-FLG-02 (FADED GLORY)	1

Joystick Bottom Housings



Q-Logic 2 &3 Joystick Bottom Housing w/Bus Cable



Item	Part No.	Name	Qty
A1	ELE124313	Q-LOGIC 2 BOTTOM HOUSING,JOYSTICK MODULE,W/BUS CABLE	1
B1	ELE144006	ELECTRONIC, BOTTOM HOUSING, JOYSTICK MODULE Q-LOGIC 3,W/ BUS CABLE Q-LOGIC 3, (CURTIS: 17949366-02)	1

7. Q-Logic 3 Electronics Assy's

4Front Q-Logic 3 Base Electronics Matrix - 6 mph Configurations			
Ref#	Part Number	Seating Type	Lighting Type
A1	ELE1700136	Static	Fender
B1	ELE1703244	Static w/Power Legs	Fender
C1	ELE1704206	Tilt thru Toggle	Fender
D1	ELE1704197	Single Power	Fender
E1	ELE1700137	Multiple Power	Fender
F1	ELE1704379	Static	Base Mounted
G1	ELE1704381	Static w/Power Legs	Base Mounted
H1	ELE1704382	Single Power	Base Mounted
I1	ELE1704383	Multiple Power	Base Mounted
<p>Please note:</p> <ul style="list-style-type: none"> - The Base Electronics Assy's include all of the base mounted electronic components and hardware except the lighting components and modules. - The "Lighting Type" represents the lighting style that is configured for the base electronics. 			

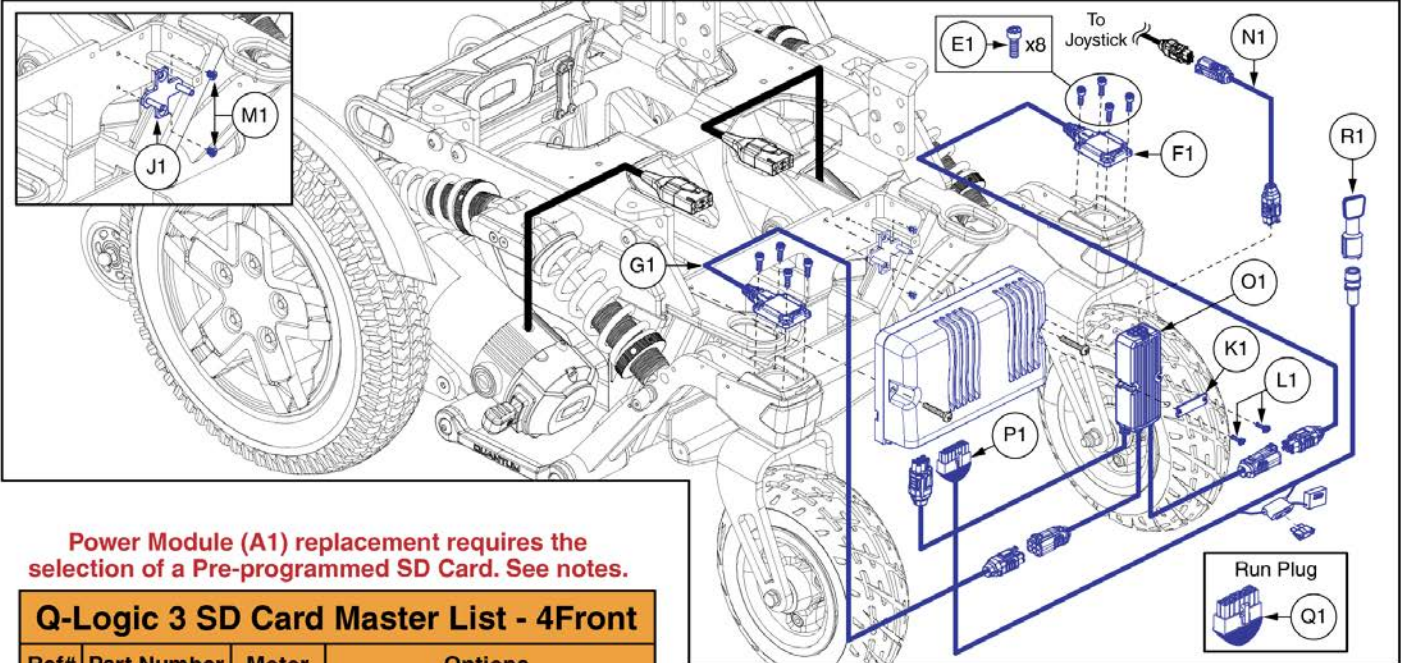
Item	Part No.	Name	Qty
A1	ELE1700136	ELECTRONIC,ASSY,Q-LOGIC 3,6 MPH MOTORS,CASTER SENSOR,QUANTUM 4FRONT,STATIC SEATING,W/PTO,(NON-EXPANDABLE CAPACITY)	1
B1	ELE1703244	ELECTRONIC,ASSY,Q-LOGIC 3,6 MPH MOTORS,CASTER SENSOR,QUANTUM 4FRONT,STATIC SEATING,W/POWER,W/PTO,(NON-EXPANDABLE CAPACITY)	1
C1	ELE1704206	ELECTRONIC,ASSY,Q-LOGIC 3,6 MPH MOTORS,CASTER SENSOR,QUANTUM 4FRONT,TILT THRU TOGGLE,W/PTO,(NON-EXPANDABLE CAPACITY)	1
D1	ELE1704197	ELECTRONIC,ASSY,Q-LOGIC 3,6 MPH MOTORS,CASTER SENSOR,QUANTUM 4FRONT,POWER,W/PTO,(NON-EXPANDABLE CAPACITY)	1
E1	ELE1700137	ELECTRONIC,ASSY,Q-LOGIC 3,6 MPH MOTORS,CASTER SENSOR,QUANTUM 4FRONT,POWER,W/PTO,(EXPANDABLE CAPACITY)	1
F1	ELE1704379	ELECTRONIC,ASSY,Q-LOGIC 3,6 MPH MOTORS,CASTER SENSOR,QUANTUM 4FRONT,STATIC SEATING,(NON-EXPANDABLE CAPACITY)	1
G1	ELE1704381	ELECTRONIC,ASSY,Q-LOGIC 3,6 MPH MOTORS,CASTER SENSOR,QUANTUM 4FRONT,STATIC SEATING,W/POWER,(NON-EXPANDABLE CAPACITY)	1
H1	ELE1704382	ELECTRONIC,ASSY,Q-LOGIC 3,6 MPH MOTORS,CASTER SENSOR,QUANTUM 4FRONT,POWER,(NON-EXPANDABLE CAPACITY)	1
I1	ELE1704383	ELECTRONIC,ASSY,Q-LOGIC 3,6 MPH MOTORS,CASTER SENSOR,QUANTUM 4FRONT,POWER,(EXPANDABLE CAPACITY)	1

7. Q-Logic 3 Electronics Assy's

4Front Q-Logic 3 Base Electronics Matrix - 5 mph / No Anti-tip Configurations			
Ref#	Part Number	Seating Type	Lighting Type
A1	ELE1709086	Static	Fender
B1	ELE1709087	Static w/Power Legs	Fender
C1	ELE1709088	Tilt thru Toggle	Fender
D1	ELE1709089	Single Power	Fender
E1	ELE1708767	Multiple Power	Fender
F1	ELE1709090	Static	Base Mounted
G1	ELE1709091	Static w/Power Legs	Base Mounted
H1	ELE1709092	Single Power	Base Mounted
I1	ELE1708768	Multiple Power	Base Mounted
<p>Please note:</p> <ul style="list-style-type: none"> - The Base Electronics Assy's include all of the base mounted electronic components and hardware except the lighting components and modules. - The "Lighting Type" represents the lighting style that is configured for the base electronics. 			

Item	Part No.	Name	Qty
A1	ELE1709086	ELECTRONIC,ASSY,Q-LOGIC 3,5 MPH MOTORS,CASTER SENSOR,4FRONT,STATIC SEATING,W/PTO,(NON-EXPANDABLE)	1
B1	ELE1709087	ELECTRONIC,ASSY,Q-LOGIC 3,5 MPH MOTORS,CASTER SENSOR,4FRONT,STATIC SEATING,W/POWER,W/PTO,(NONEXPANDABLE)	1
C1	ELE1709088	ELECTRONIC,ASSY,Q-LOGIC 3,5 MPH MOTORS,CASTER SENSOR,4FRONT,TILT THRU TOGGLE,W/PTO,(NON-EXPANDABLE)	1
D1	ELE1709089	ELECTRONIC,ASSY,Q-LOGIC 3,5 MPH MOTORS,CASTER SENSOR,4FRONT,POWER,W/PTO,(NON-EXPANDABLE)	1
E1	ELE1708767	ELECTRONIC,ASSY,Q-LOGIC 3,5 MPH MOTORS,CASTER SENSOR,4FRONT,POWER,W/PTO,(EXPANDABLE)	1
F1	ELE1709090	ELECTRONIC,ASSY,Q-LOGIC 3,5 MPH MOTORS,CASTER SENSOR,4FRONT,STATIC SEATING,(NON-EXPANDABLE)	1
G1	ELE1709091	ELECTRONIC,ASSY,Q-LOGIC 3,5 MPH MOTORS,CASTER SENSOR,4FRONT,STATIC SEATING,W/POWER,(NON-EXPANDABLE)	1
H1	ELE1709092	ELECTRONIC,ASSY,Q-LOGIC 3,5 MPH MOTORS,CASTER SENSOR,4FRONT,POWER,(NON-EXPANDABLE)	1
I1	ELE1708768	ELECTRONIC,ASSY,Q-LOGIC 3,5 MPH MOTORS,CASTER SENSOR,4FRONT,POWER,(EXPANDABLE)	1

7. Q-Logic 3 Electronics Assy's



Power Module (A1) replacement requires the selection of a Pre-programmed SD Card. See notes.

Q-Logic 3 SD Card Master List - 4Front

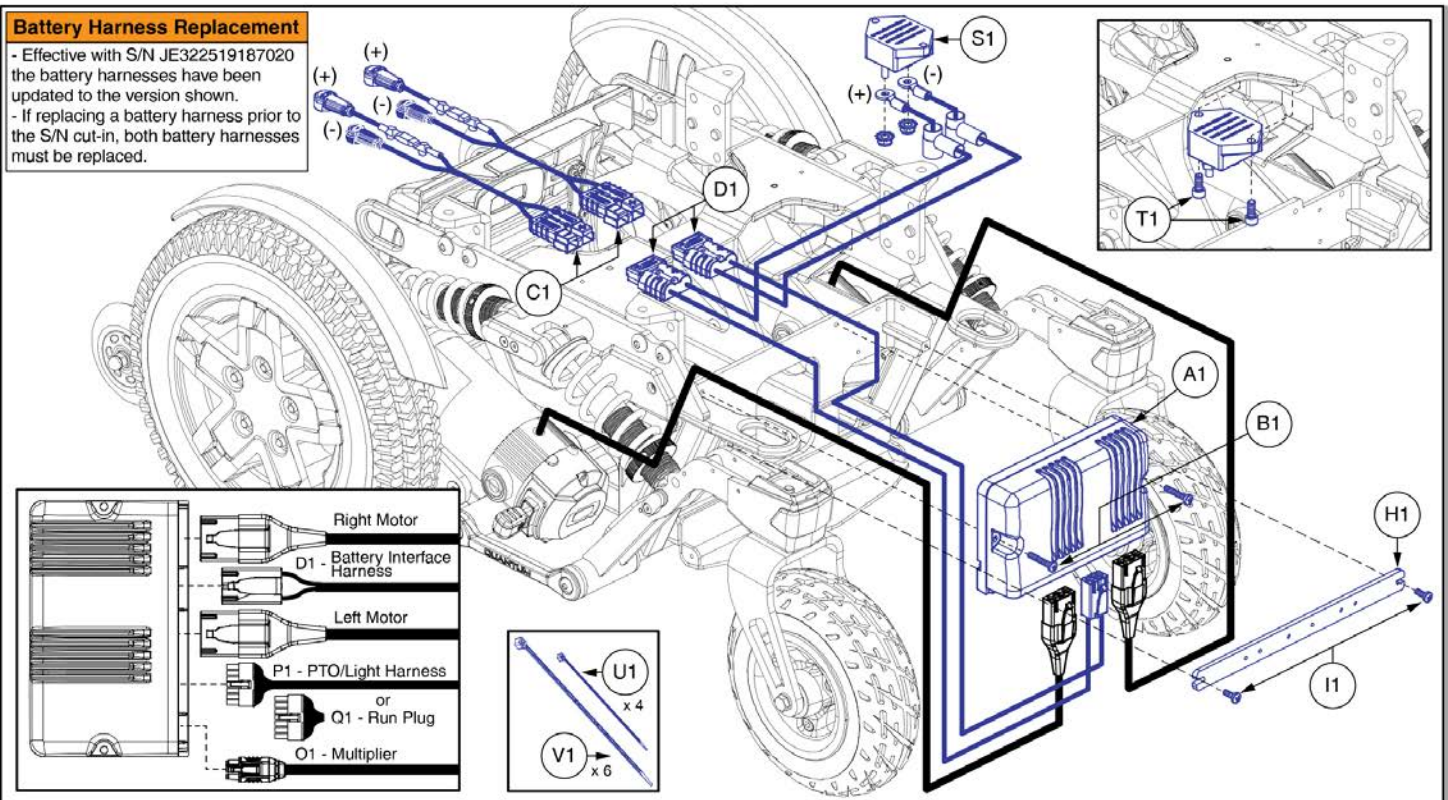
Ref#	Part Number	Motor	Options
W1	ELE1712717	6 mph	Power Positioning, w/Anti-tips
X1	ELE1712722	6 mph	Static, w/Anti-tips
Y1	ELE1712725	5 mph	Power Positioning, w/o Anti-tips
Z1	ELE1712724	5 mph	Static, w/o Anti-tips

Please note:

- A pre-programmed, joystick mounted SD Card is required when:
 - Replacing a Joystick, Power Base Module, or Seating Module. A firmware upgrade occurred requiring a system update to enable enhanced features.
 - Any circumstance where all of the electronics modules require replacement.
- The Q-Logic 3 system will reprogram the unit based upon the information loaded onto the SD card.
- The proper, programmed SD card must be selected to ensure the unit functions as intended.

Battery Harness Replacement

- Effective with S/N JE322519187020 the battery harnesses have been updated to the version shown.
 - If replacing a battery harness prior to the S/N cut-in, both battery harnesses must be replaced.

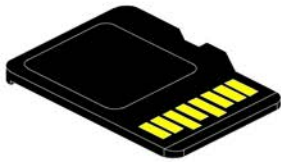


Item	Part No.	Name	Qty
A1	CTL143978	POWER MODULE, Q-LOGIC 3,120 AMP, (CURTIS: 17930700-3509)	1
B1	SCRPPH1382	SCREW,PPH,BLACK ZINC,M5-.8 X 25MM	2
C1	ELE1709864	HARNESS, BATTERY, FWD, FLEX CABLE	1
D1	ELE1611815	HARNESS, BATTERY INTERFACE, FWD, Q-LOGIC	1
E1	SCRSHCS1092	SCREW,SHCS,BLACK ZINC,M4-.7 X 12MM	8
F1	ELE1611675	CASTER SENSOR HARNESS ASSEMBLY, RIGHT	1
G1	ELE169826	CASTER SENSOR HARNESS ASSEMBLY, LEFT	1
H1	MEC167317	LIGHT MODULE BRACKET	1
I1	SCRPPH1044	SCREW,PPH,BLACK ZINC,M4-.7 X 12MM	2
J1	MEC154602	MULTIPLIER STUD MOUNT ASSEMBLY	1
K1	MEC153354	MULTIPLIER HOLD DOWN STRAP	1
L1	SCRPPH1342	SCREW,PPH,BLACK ZINC,M3-.5 X 20MM	2
M1	HDW155879	SCREW,PHILLIPS FLAT HEAD, M4-0.7 X 5MM L, ISO 7046, BLACK ZINC, NYLON PATCH	2
N1	HAR144005	HARNESS, BUS EXTENSION CABLE, Q-LOGIC 3, 0.410 METER,MALE/FEMALE, (CURTIS: 17881362-01-01)	1
O1	HAR144004	HARNESS,BASE MULTIPLIER Q-LOGIC 3	1
P1	DWR1265H021	ELECTRONIC,HARNESS,POWER TAKE OFF(PTO)/INHIBIT,CURTIS,H-1265-021	1
Q1	DWR1265H027	ELECTRONIC,HARNESS,RUN PLUG,Q-LOGIC	1
R1	DWR1361H038	ELECTRONIC,HARNESS,RUN PLUG,SURE SEAL,SYNERGY TILT,H-1361-038	1
S1	ELECBRK1020	ELECTRONIC,CIRCUIT BREAKER,70 AMP,AUTO-RESET	1
T1	SCR8110001	SCREW,SHCS,BLACK ZINC,M6x1.0 x 14MM,NYLON PATCH	2
U1	PLSTIE1001	TIE WRAP,BLACK,4"	4
V1	PLSTIE1004	TIE WRAP,BLACK,8"	6
W1	ELE1712717	SERVICEABLE ASSEMBLY,SD CARD,Q-LOGIC 3,4FRONT WITH ANTI-TIPS PROGRAM,6MPH LINIX MOTORS,POWER POSITIONING	1
X1	ELE1712722	SERVICEABLE ASSEMBLY,SD CARD,Q-LOGIC 3,4FRONT WITH ANTITIPSPROGRAM,6MPH LINIX MOTORS,STATIC SEATING	1
Y1	ELE1712725	SERVICEABLE ASSEMBLY,SD CARD,Q-LOGIC 3,4FRONT WITHOUT ANTI-TIPS PROGRAM,5MPH LINIX MOTORS,POWER POSITIONING	1
Z1	ELE1712724	SERVICEABLE ASSEMBLY,SD CARD,Q-LOGIC 3,4FRONT WITHOUT ANTI-TIPS PROGRAM,5MPH LINIX MOTORS,STATIC SEATING	1

7. Q-Logic 3 Electronics Assy's

Q-Logic 3 SD Card Master List - 4Front

Ref#	Part Number	Motor Type	Options
A1	ELE1712717	6 mph Linix	Power Positioning, w/Anti-tips
B1	ELE1712722	6 mph Linix	Static, w/Anti-tips
C1	ELE1712725	5 mph Linix	Power Positioning, w/o Anti-tips
D1	ELE1712724	5 mph Linix	Static, w/o Anti-tips



Pre-programmed
Micro SD Card

Please note:

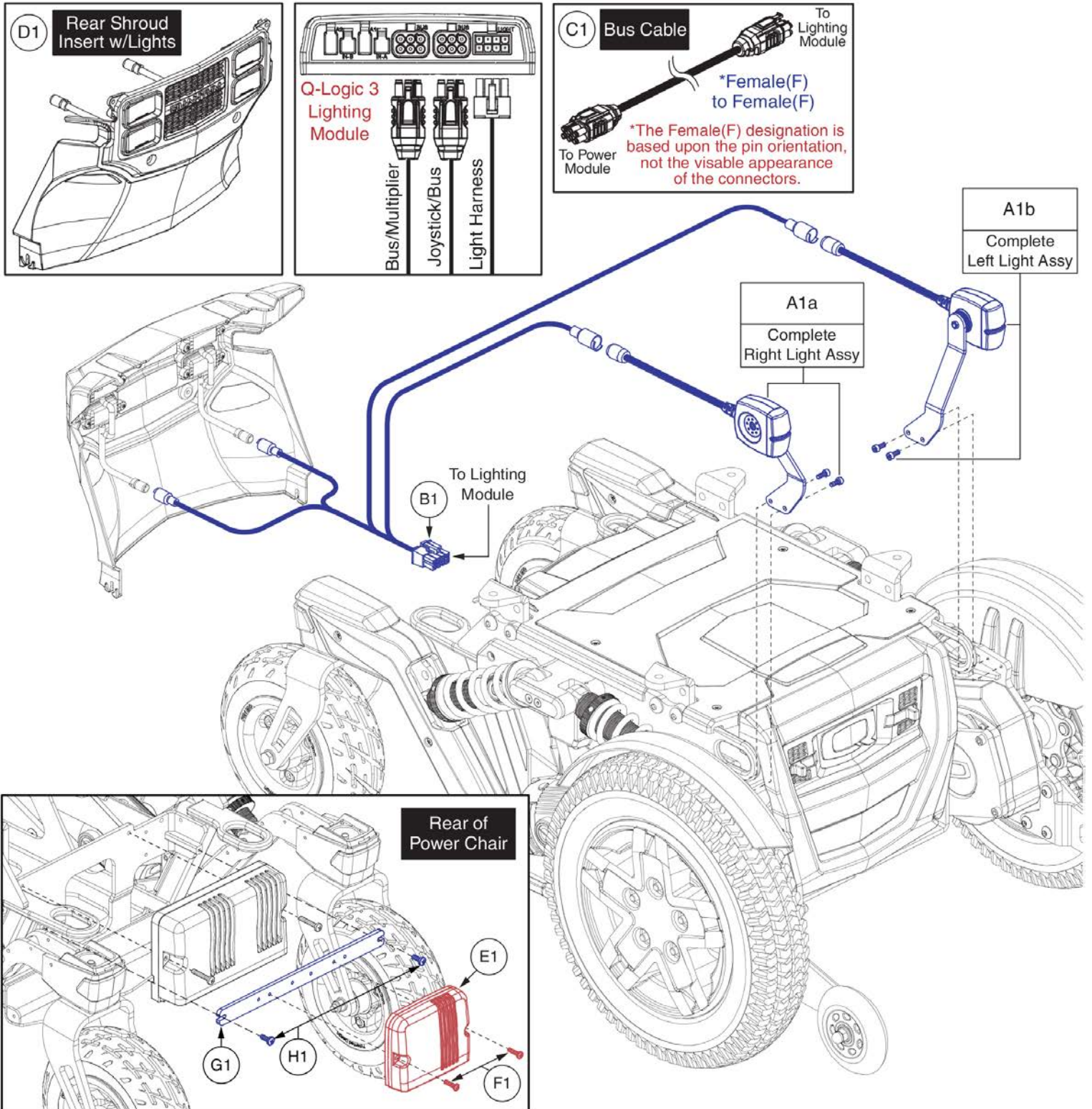
- Pre-programmed SD Cards are required when:
 - Replacing a Joystick, Power Base Module, or Seating Module. A firmware upgrade occurred requiring a system update to enable all of the enhanced features.
 - Any circumstance where all of the electronics modules require replacement.
- The Q-Logic 3 system will reprogram the unit based upon the information loaded onto the SD card.
- The proper, programmed SD card must be selected to ensure the unit functions as intended.

Q-Logic 3 SD Cards for 4Front



Item	Part No.	Name	Qty
A1	ELE1712717	SERVICEABLE ASSEMBLY,SD CARD,Q-LOGIC 3,4FRONT WITH ANTI-TIPS PROGRAM,6MPH LINIX MOTORS,POWER POSITIONING	1
B1	ELE1712722	SERVICEABLE ASSEMBLY,SD CARD,Q-LOGIC 3,4FRONT WITH ANTITIPSPROGRAM,6MPH LINIX MOTORS,STATIC SEATING	1
C1	ELE1712725	SERVICEABLE ASSEMBLY,SD CARD,Q-LOGIC 3,4FRONT WITHOUT ANTI-TIPS PROGRAM,5MPH LINIX MOTORS,POWER POSITIONING	1
D1	ELE1712724	SERVICEABLE ASSEMBLY,SD CARD,Q-LOGIC 3,4FRONT WITHOUT ANTI-TIPS PROGRAM,5MPH LINIX MOTORS,STATIC SEATING	1

8. Base Mounted Light Assy's

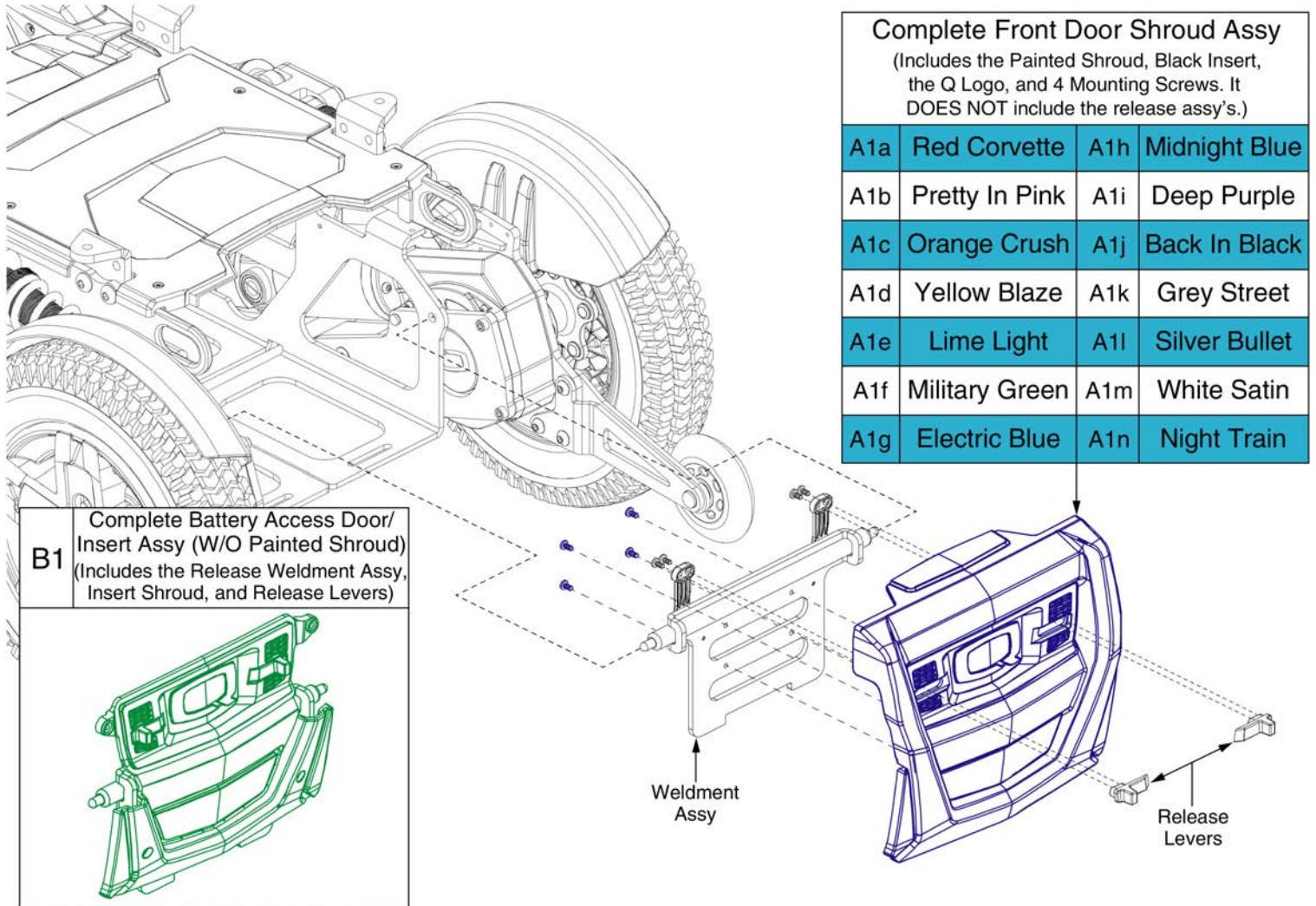


Base Mounted Light Assemblies, 4Front



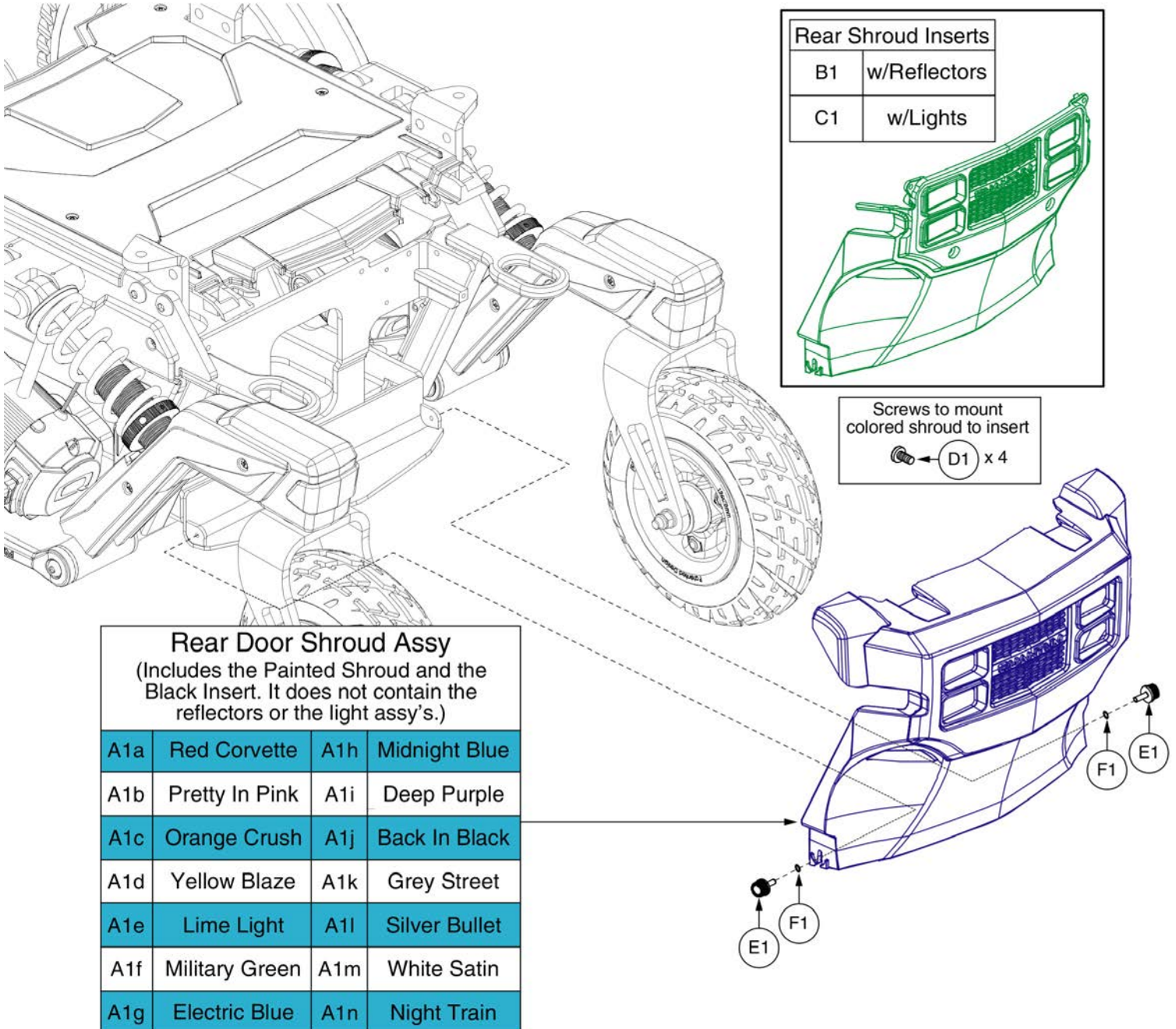
Item	Part No.	Name	Qty
A1a	ELE1701559	FWD E-MARK LIGHT ASSEMBLY, FRONT RIGHT	1
A1b	ELE1701560	FWD E-MARK LIGHT ASSEMBLY, FRONT LEFT	1
B1	ELE1611828	HARNESS, LIGHTING, BASE MOUNTED, FWD, Q-LOGIC 3	1
C1	HAR143994	HARNESS, BUS EXTENSION CABLE, Q-LOGIC 3, 0.3 METER, FEMALE/FEMALE, (CURTIS: 17881361-01-02)	1
D1	DGN1611520	FWD,REAR DOOR, ASSEMBLY, WITH LIGHTS	1
E1	CTL143986	LIGHT MODULE,Q-LOGIC 3,LM,(CURTIS:17963700-0109)	1
F1	SCRPPH1153	SCREW, PAN HEAD, TYPE H, M4X0.7 X 20, FT, ISO 7045, CL 4.8, BZ	2
G1	MEC167317	LIGHT MODULE BRACKET	1
H1	SCRPPH1044	SCREW,PPH,BLACK ZINC,M4-.7 X 12MM	2

9. Shroud Assy's & Battery Access Brackets



Item	Part No.	Name	Qty
A1a	DGN1704330-PRD1	FWD FRONT SHROUD PAINTED W/HARDWARE,PPW-RED-01,RED CORVETTE	1
A1b	DGN1704330-PPK3	FWD FRONT SHROUD PAINTED W/HARDWARE,PPW-PNK-03,PRETTY IN PINK	1
A1c	DGN1704330-POR6	FWD FRONT SHROUD PAINTED W/HARDWARE,PPW-ORN-06,ORANGE CRUSH	1
A1d	DGN1704330-PYL3	FWD FRONT SHROUD PAINTED W/HARDWARE,PPW-YEL-03,YELLOW BLAZE	1
A1e	DGN1704330-PGN7	FWD FRONT SHROUD PAINTED W/HARDWARE,PPW-GRN-07,LIME LIGHT	1
A1f	DGN1704330-PGN8	FWD FRONT SHROUD PAINTED W/HARDWARE,PPW-GRN-08,MILITARY GREEN	1
A1g	DGN1704330-PBU9	FWD FRONT SHROUD PAINTED W/HARDWARE,PPW-BLU-09,ELECTRIC BLUE	1
A1h	DGN1704330-PBU10	FWD FRONT SHROUD PAINTED W/HARDWARE,PPW-BLU-10,MIDNIGHT BLUE	1
A1i	DGN1704330-PPR5	FWD FRONT SHROUD PAINTED W/HARDWARE,PPW-PRP-05,DEEP PURPLE	1
A1j	DGN1704330-PBK1	FWD FRONT SHROUD PAINTED W/HARDWARE,PPW-BLK-01,BACK IN BLACK	1
A1k	DGN1704330-PSL3	FWD FRONT SHROUD PAINTED W/HARDWARE,PPW-SIL-03,GREY STREET	1
A1l	DGN1704330-PSL7	FWD FRONT SHROUD PAINTED W/HARDWARE,PPW-SIL-07,SILVER BULLET	1
A1m	DGN1704330-PWT2	FWD FRONT SHROUD PAINTED W/HARDWARE,PPW-WHT-02,WHITE SATIN	1
A1n	DGN1704330-PBK3	FWD FRONT SHROUD PAINTED W/HARDWARE,PPW-BLK-03,NIGHT TRAIN	1
B1	MEC169383	BATTERY DOOR ASSEMBLY	1

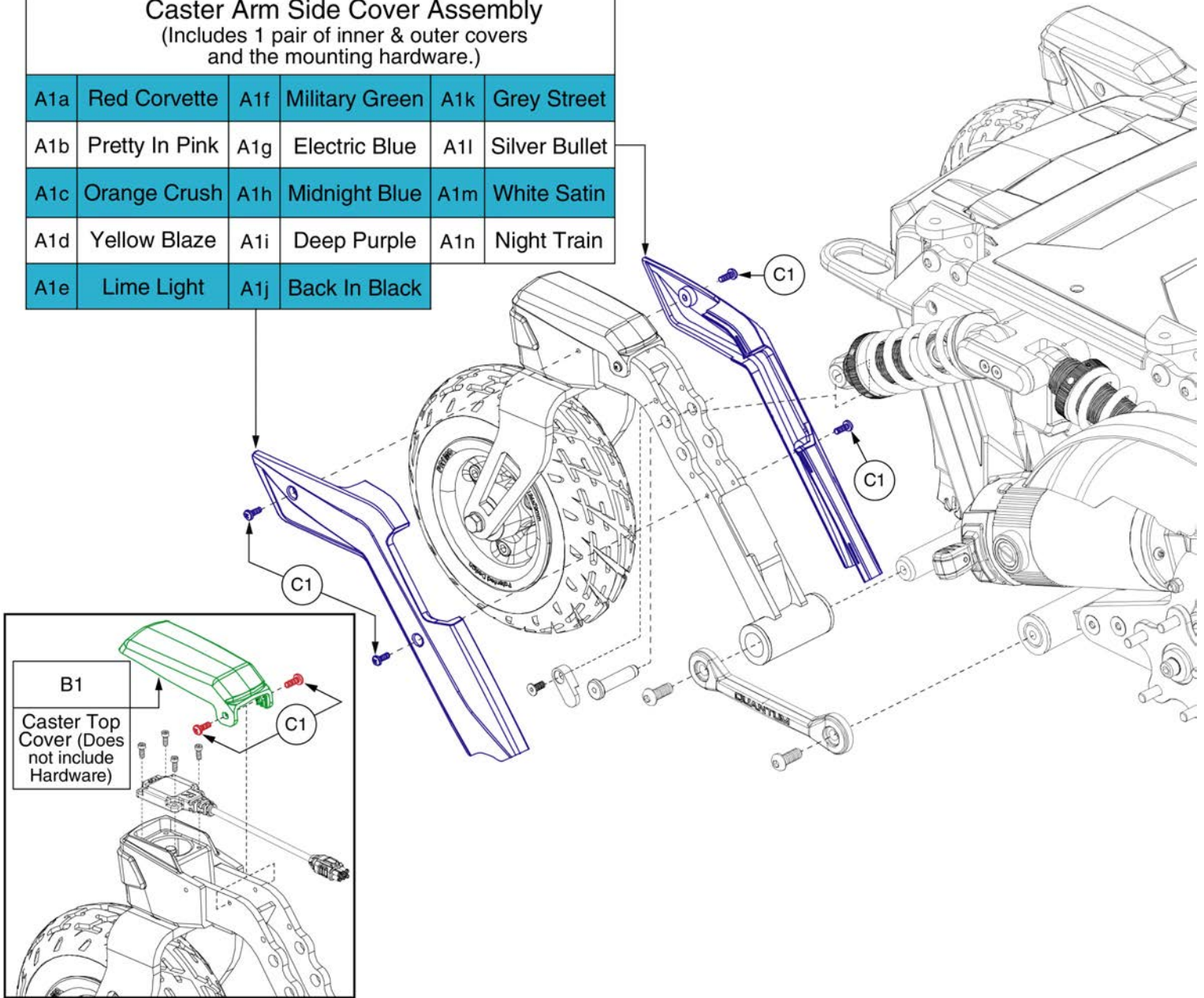
9. Shroud Assy's & Battery Access Brackets



Item	Part No.	Name	Qty
A1a	DGN1704331-PRD1	FWD REAR SHROUD PAINTED W/HARDWARE,PPW-RED-01,RED CORVETTE	1
A1b	DGN1704331-PPK3	FWD REAR SHROUD PAINTED W/HARDWARE,PPW-PNK-03,PRETTY IN PINK	1
A1c	DGN1704331-POR6	FWD REAR SHROUD PAINTED W/HARDWARE,PPW-ORN-06,ORANGE CRUSH	1
A1d	DGN1704331-PYL3	FWD REAR SHROUD PAINTED W/HARDWARE,PPW-YEL-03,YELLOW BLAZE	1
A1e	DGN1704331-PGN7	FWD REAR SHROUD PAINTED W/HARDWARE,PPW-GRN-07,LIME LIGHT	1
A1f	DGN1704331-PGN8	FWD REAR SHROUD PAINTED W/HARDWARE,PPW-GRN-08,MILITARY GREEN	1
A1g	DGN1704331-PBU9	FWD REAR SHROUD PAINTED W/HARDWARE,PPW-BLU-09,ELECTRIC BLUE	1
A1h	DGN1704331-PBU10	FWD REAR SHROUD PAINTED W/HARDWARE,PPW-BLU-10,MIDNIGHT BLUE	1
A1i	DGN1704331-PPR5	FWD REAR SHROUD PAINTED W/HARDWARE,PPW-PRP-05,DEEP PURPLE	1
A1j	DGN1704331-PBK1	FWD REAR SHROUD PAINTED W/HARDWARE,PPW-BLK-01,BACK IN BLACK	1
A1k	DGN1704331-PSL3	FWD REAR SHROUD PAINTED W/HARDWARE,PPW-SIL-03,GREY STREET	1
A1l	DGN1704331-PSL7	FWD REAR SHROUD PAINTED W/HARDWARE,PPW-SIL-07,SILVER BULLET	1
A1m	DGN1704331-PWT2	FWD REAR SHROUD PAINTED W/HARDWARE,PPW-WHT-02,WHITE SATIN	1
A1n	DGN1704331-PBK3	FWD REAR SHROUD PAINTED W/HARDWARE,PPW-BLK-03,NIGHT TRAIN	1
B1	DGN1611517	FWD REAR DOOR, ASSEMBLY, WITH PLUGS	1
C1	DGN1611520	FWD,REAR DOOR, ASSEMBLY, WITH LIGHTS	1
D1	SCRPPH1036	SCREW, PAN HEAD, TYPE H, M4X0.7 X 8, FT, ISO 7045, CL 4.8, BZ	4
E1	PLSKNCP1056	KNOB,PLASTIC,M4-.7 X 12MM,KNURLED HEAD,TALL,C-1060-041	1
F1	WASNEOP1003	WASHER,BLACK,NEOPRENE,3.20MM ID X 7.00MM OD X 1.90MM TH,O-RING	1

9. Shroud Assy's & Battery Access Brackets

Caster Arm Side Cover Assembly (Includes 1 pair of inner & outer covers and the mounting hardware.)					
A1a	Red Corvette	A1f	Military Green	A1k	Grey Street
A1b	Pretty In Pink	A1g	Electric Blue	A1l	Silver Bullet
A1c	Orange Crush	A1h	Midnight Blue	A1m	White Satin
A1d	Yellow Blaze	A1i	Deep Purple	A1n	Night Train
A1e	Lime Light	A1j	Back In Black		

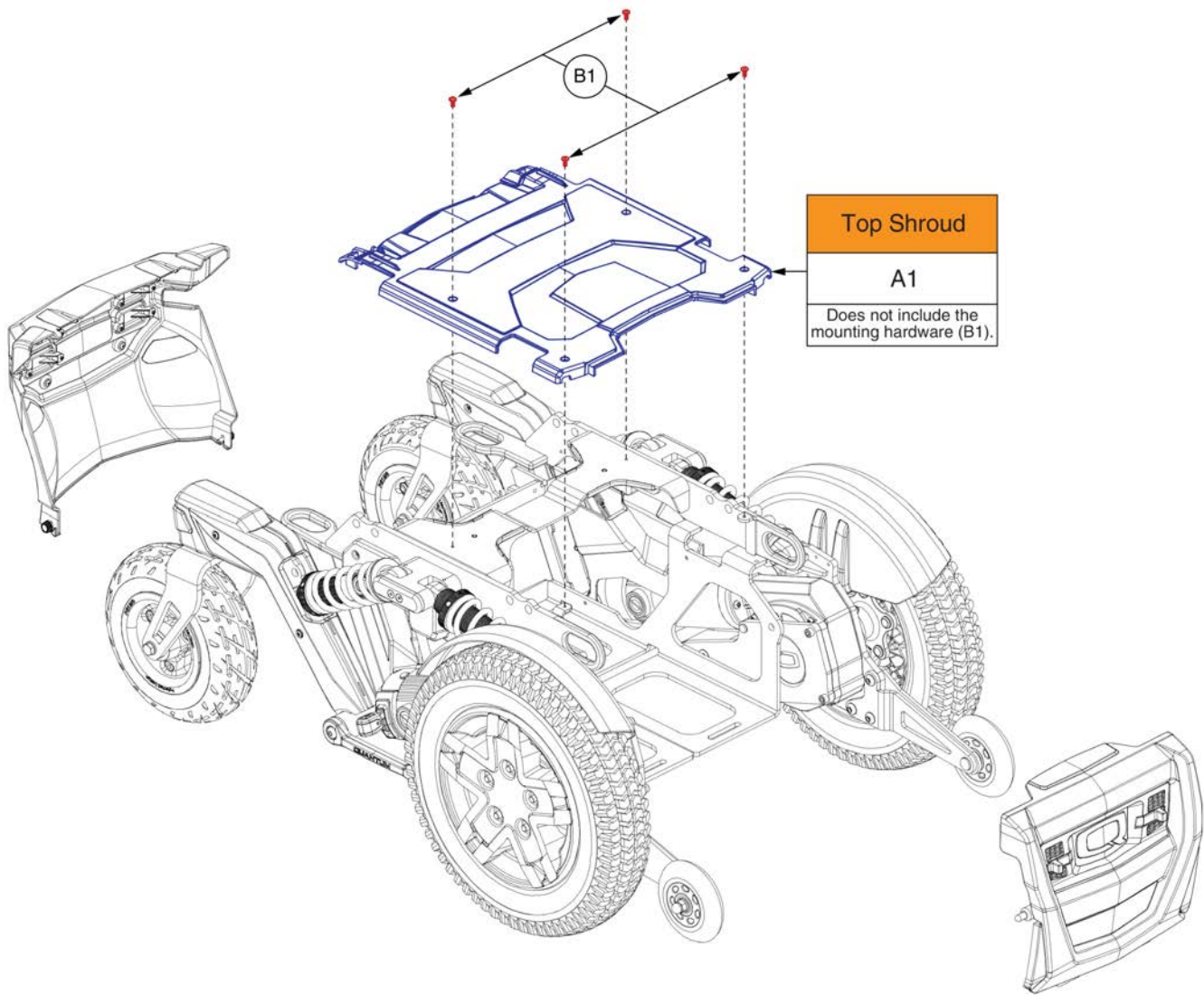


Caster Arm Shroud Cover Assembly, 4Front



Item	Part No.	Name	Qty
A1a	DGN1704329-PRD1	FWD CASTER ARM COVER W/HARDWARE,PPW-RED-01,RED CORVETTE	1
A1b	DGN1704329-PPK3	FWD CASTER ARM COVER W/HARDWARE,PPW-PNK-03,PRETTY IN PINK	1
A1c	DGN1704329-POR6	FWD CASTER ARM COVER W/HARDWARE,PPW-ORN-06, ORANGE CRUSH	1
A1d	DGN1704329-PYL3	FWD CASTER ARM COVER W/HARDWARE,PPW-YEL-03, YELLOW BLAZE	1
A1e	DGN1704329-PGN7	FWD CASTER ARM COVER W/HARDWARE,PPW-GRN-07,LIME LIGHT	1
A1f	DGN1704329-PGN8	FWD CASTER ARM COVER W/HARDWARE,PPW-GRN-08,MILITARY GREEN	1
A1g	DGN1704329-PBU9	FWD CASTER ARM COVER W/HARDWARE,PPW-BLU-09,ELECTRIC BLUE	1
A1h	DGN1704329-PBU10	FWD CASTER ARM COVER W/HARDWARE,PPW-BLU-10,MIDNIGHT BLUE	1
A1i	DGN1704329-PPR5	FWD CASTER ARM COVER W/HARDWARE,PPW-PRP-05,DEEP PURPLE	1
A1j	DGN1704329-PBK1	FWD CASTER ARM COVER W/HARDWARE,PPW-BLK-01,BACK IN BLACK	1
A1k	DGN1704329-PSL3	FWD CASTER ARM COVER W/HARDWARE,PPW-SIL-03,GREY STREET	1
A1l	DGN1704329-PSL7	FWD CASTER ARM COVER W/HARDWARE,PPW-SIL-07,SILVER BULLET	1
A1m	DGN1704329-PWT2	FWD CASTER ARM COVER W/HARDWARE,PPW-WHT-02,WHITE SATIN	1
A1n	DGN1704329-PBK3	FWD CASTER ARM COVER W/HARDWARE,PPW-BLK-03,NIGHT TRAIN	1
B1	DGN168154	FWD CASTER TOP CAP	1
C1	SCRPPH1036	SCREW, PAN HEAD, TYPE H, M4X0.7 X 8, FT, ISO 7045, CL 4.8, BZ	1

9. Shroud Assy's & Battery Access Brackets

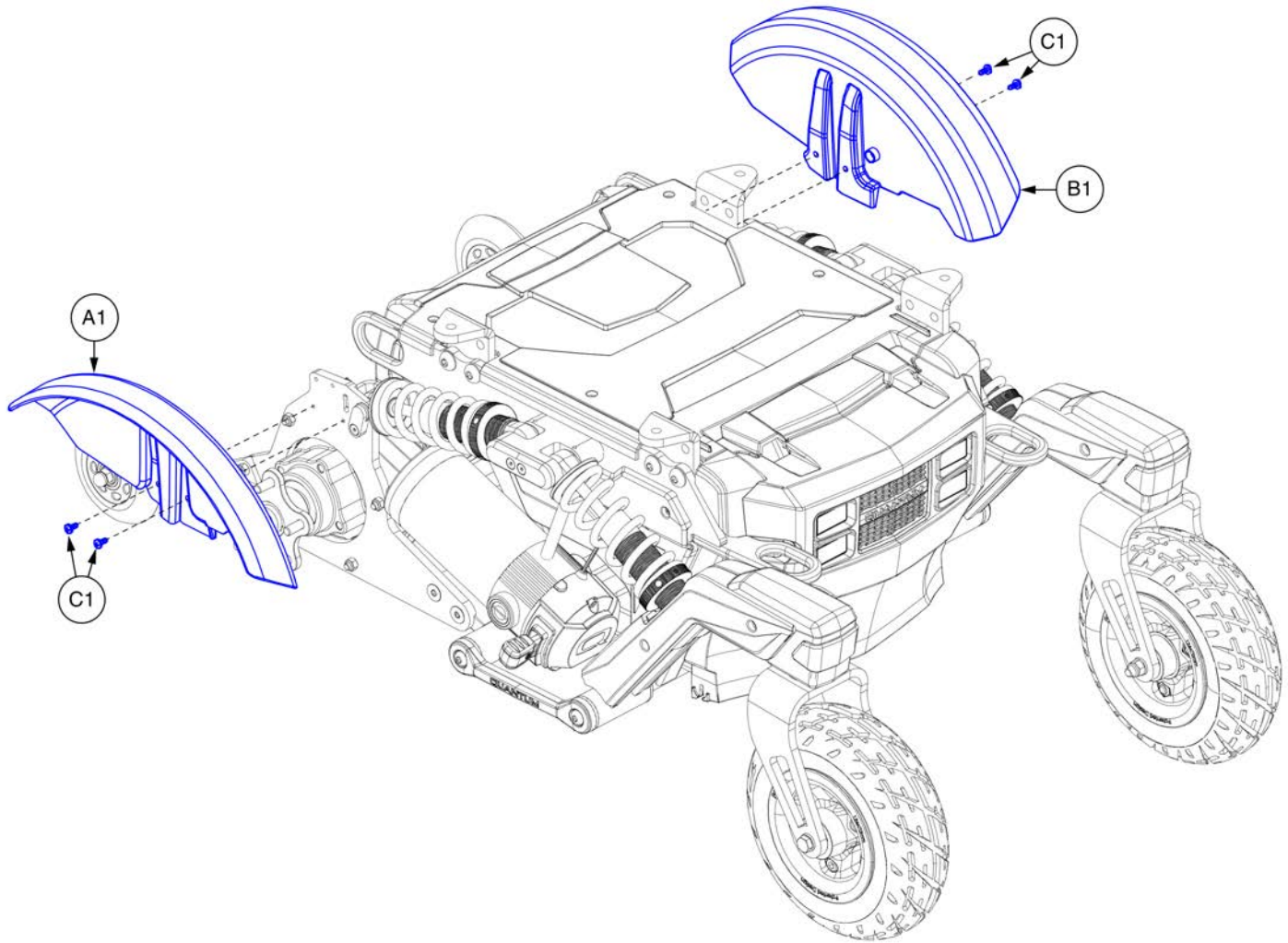


Top Cover Shroud Assembly, 4Front



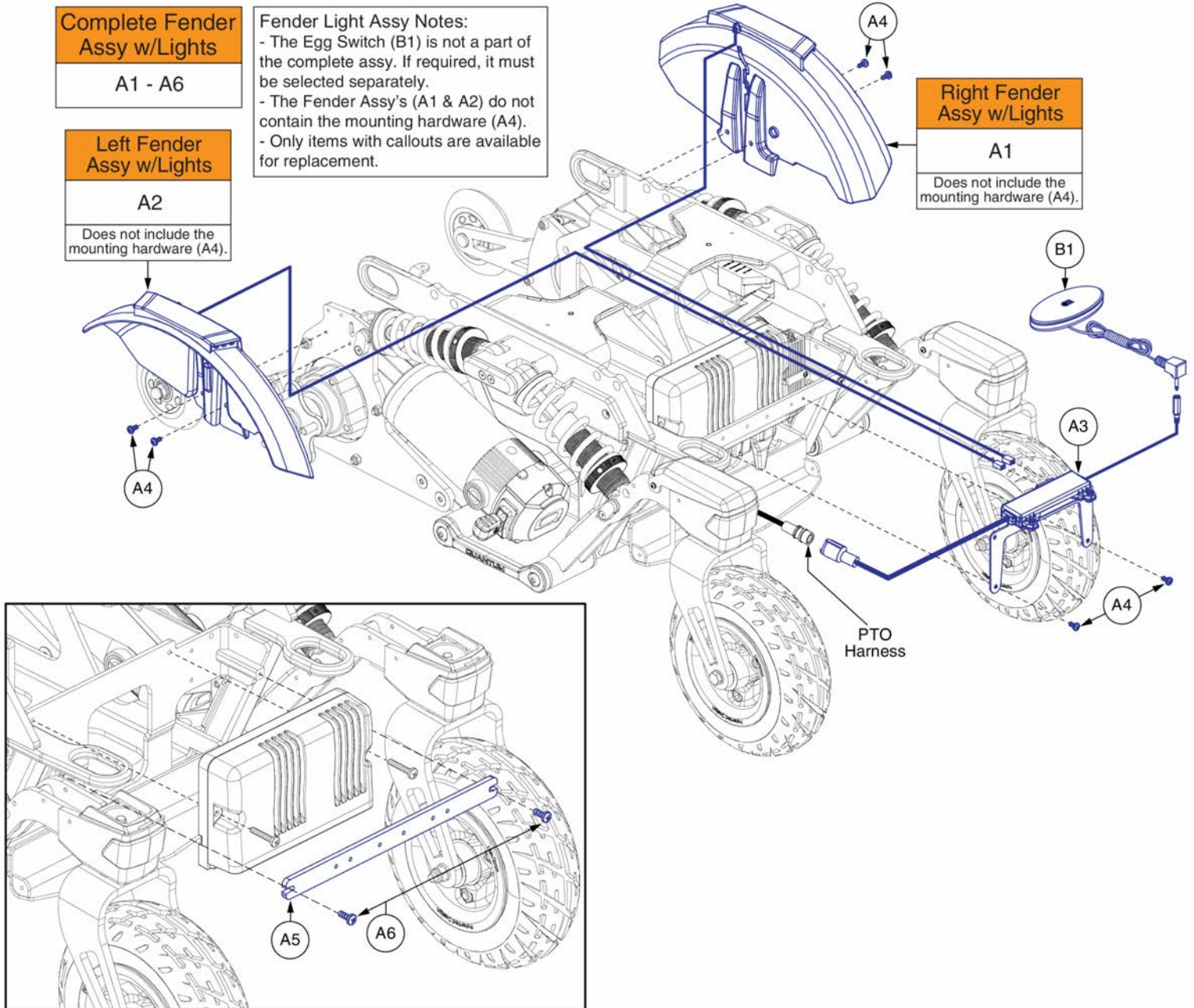
Item	Part No.	Name	Qty
A1	DGN169848	TOP SHROUD, WITH INSERTS, FWD	1
B1	SCRPPH1036	SCREW, PAN HEAD, TYPE H, M4X0.7 X 8, FT, ISO 7045, CL 4.8, BZ	4

10. Fender Assy's



Item	Part No.	Name	Qty
A1	DGN169073	FENDER, LEFT, FWD	1
B1	DGN169072	FENDER, RIGHT, FWD	1
C1	SCRPPH1036	SCREW, PAN HEAD, TYPE H, M4X0.7 X 8, FT, ISO 7045, CL 4.8, BZ	2

10. Fender Assy's

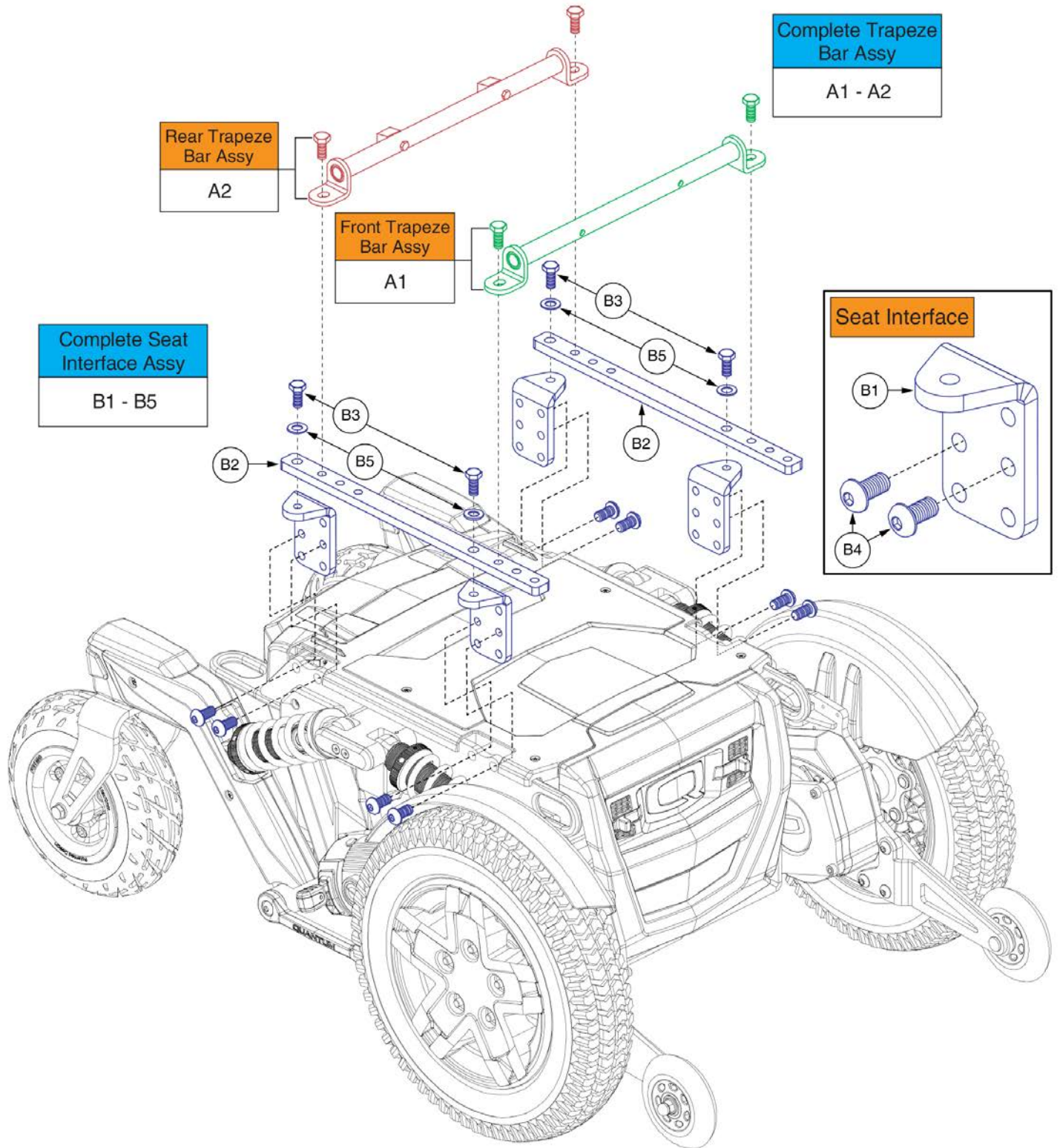


Fender Assembly with Lights, 4Front



Item	Part No.	Name	Qty
A1 - A6	DGN1700033	SHROUD,ASSY,FENDERS,W/LIGHT MODULE,SWITCH OPERATED,BASE MOUNTED,QUANTUM 4FRONT SERIES	1
A1	DGN1700204	FENDER LIGHT ASSEMBLY, FWD, RIGHT	1
A2	DGN1700203	FENDER LIGHT ASSEMBLY, FWD, LEFT	1
A3	MEC1700547	FLM BRACKET ASSEMBLY	1
A4	SCRPPH1036	SCREW, PAN HEAD, TYPE H, M4X0.7 X 8, FT, ISO 7045, CL 4.8, BZ	6
A5	MEC167317	LIGHT MODULE BRACKET	1
A6	SCRPPH1044	SCREW,PPH,BLACK ZINC,M4-.7 X 12MM	2
B1	ELE160183	ELECTRONIC,ASSY,SWITCH,BLACK,EGG,W/LIGHT SYMBOL,W/DUAL LOCK	1

11. Seat Mount Assy's

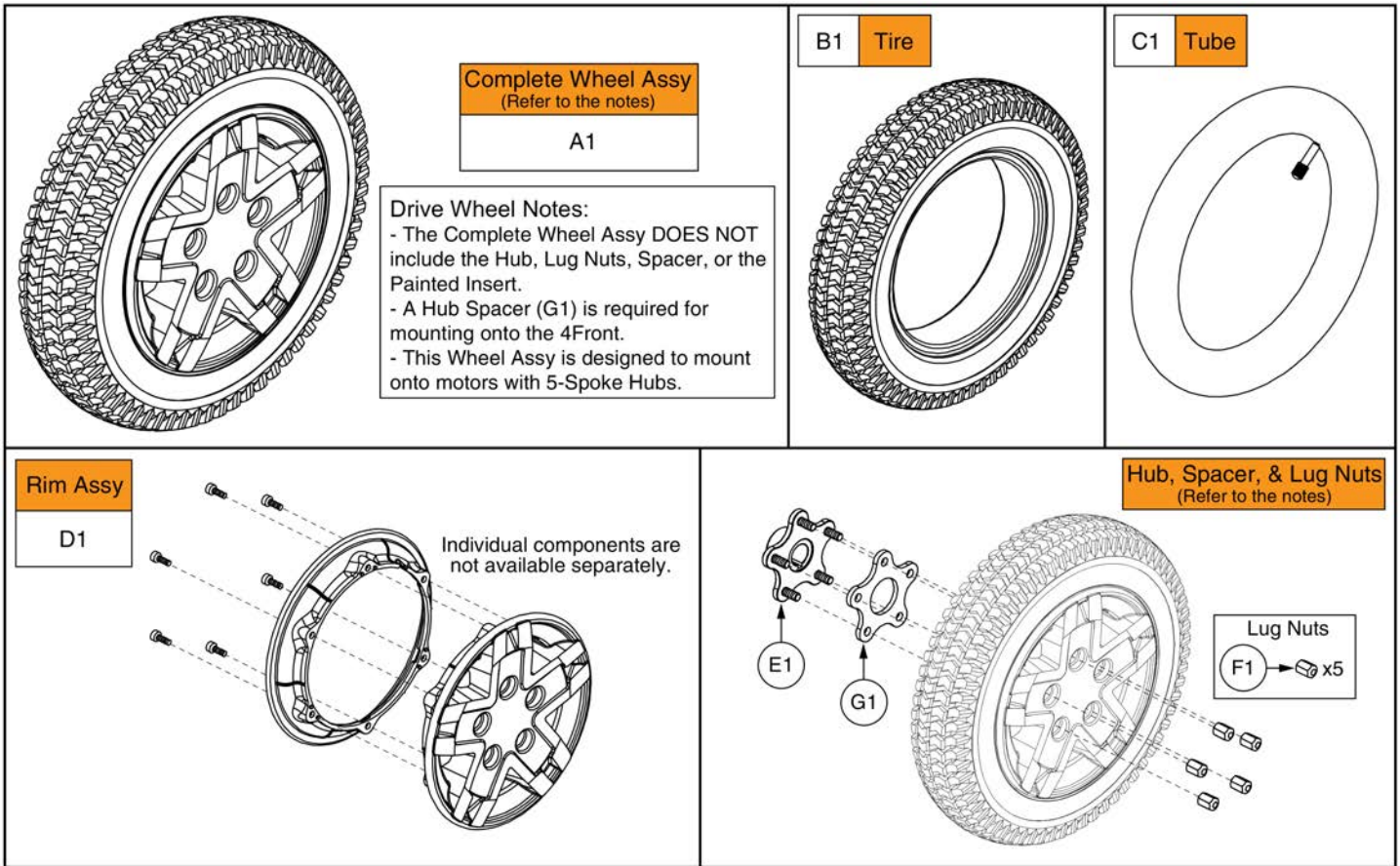


Trapeze Bars & Captain's Seat Mount Assy, 4Front



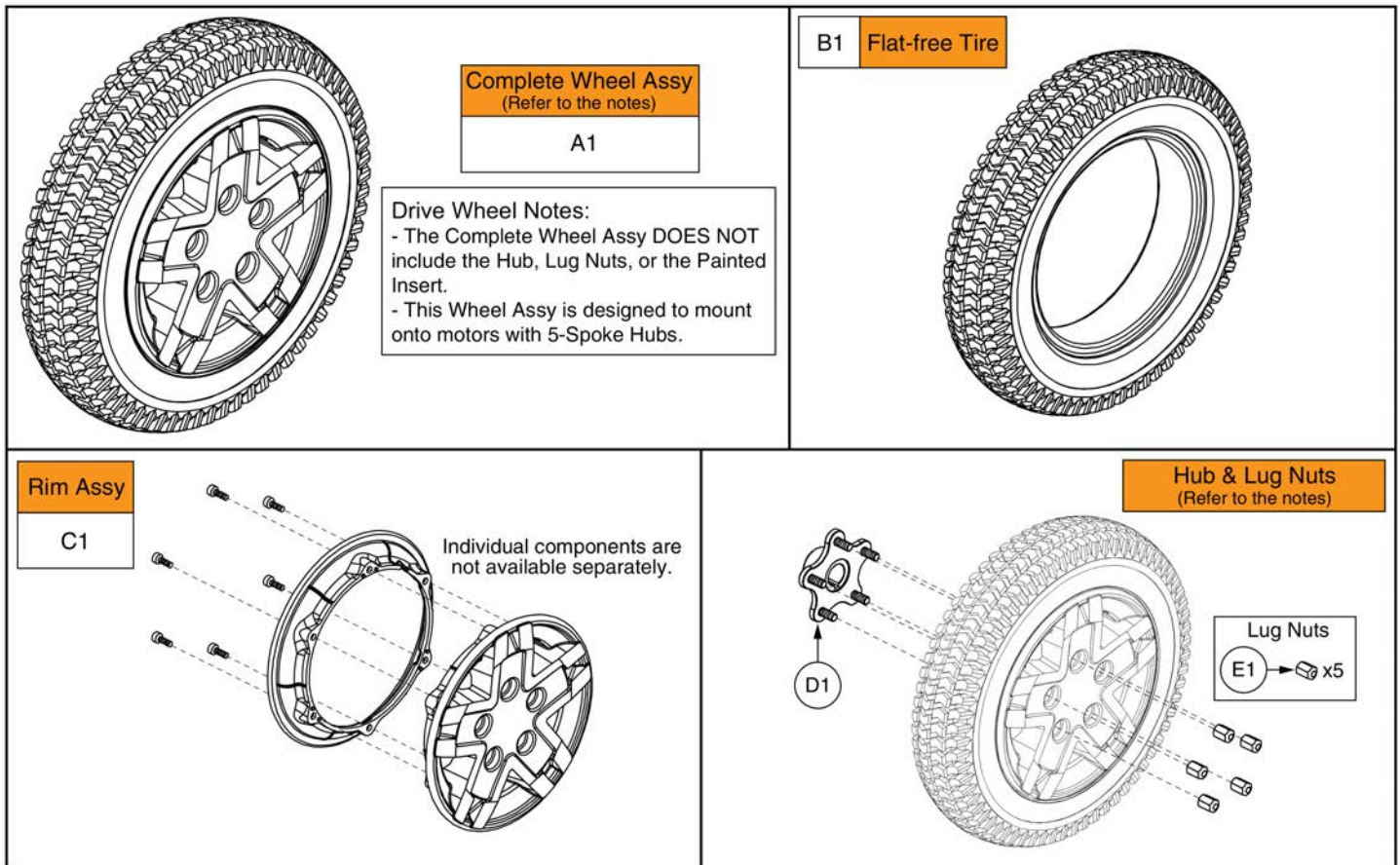
Item	Part No.	Name	Qty
A1 - A2	TWRASMB7120001	SEAT TOWER,ASSY,14.00" CENTERS,TRAPEZE BARS,PAIR,METRIC	1
A1	TWRASMB7120002	SEAT TOWER,ASSY,14.00" CENTERS,FRONT TRAPEZE BAR,METRIC	1
A2	TWRASMB7120003	SEAT TOWER,ASSY,14.00" CENTERS,REAR TRAPEZE BAR,METRIC	1
B1 - B5	MEC1706634	SEAT INTERFACE,ASSY,CAPTAINS SEATING,QUANTUM4FRONT,W/MOUNTING HARDWARE	1
B1	BRK8110003	MOUNTING BRACKET,SEAT INTERFACE,UNIVERSAL,BRK8110003	4
B2	MEC1705557	TRAPEZE BAR INTERFACE	2
B3	HDW120048	SCREW,HHCS,BLACK ZINC,M10-1.5 X 20MM,GR 10.9,W/PATCH	4
B4	HDW1700456	SCREW,BUTTON HEAD,M10X1.5 X 20,10.9,BZ	8
B5	WASMETR1031	WASHER,FLAT,10.5 ID X 20 OD X 2 THK,BZ	4

5-Spoke, 14" x 3" Drive Wheels



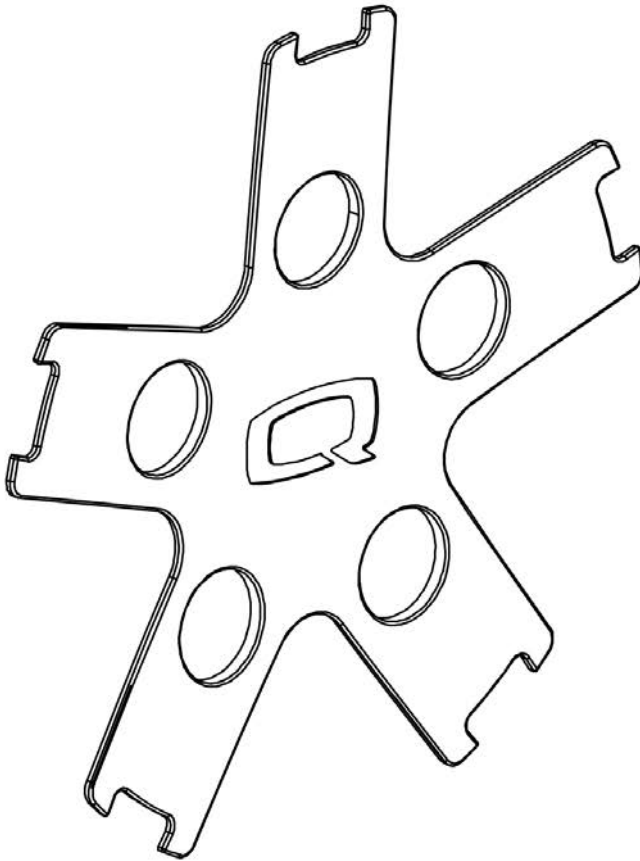
Item	Part No.	Name	Qty
A1	WHL1704507	WHEEL,ASSY,PNEUMATIC,14" X 3" DRIVE,BLACK RIM/BLACK TIRE,E-1203-051	1
B1	TIR8110026	TIRE,PNEUMATIC,BLACK,14" OD,3" W,C-248-5 TREAD	1
C1	TUBSTND1002	TUBE,300-8,ANGLED VALVE W/CAP	1
D1	WHL1703586	WHEEL,ASSY,RIM,BLACK,ALUMINUM,8",5 SPOKE,D-1203-071	1
E1	MEC145417	HUB ASSEMBLY	1
F1	DWR1005B049	NUT,LUG,ZINC,5/16-24,B-1005-049	5
G1	MEC1610056	HUB SPACER	1

5-Spoke, 14" x 3" Drive Wheels



Item	Part No.	Name	Qty
A1	WHL1703588	WHEEL,ASSY,FLAT FREE,14" X 3" DRIVE,BLACK RIM/BLACK TIRE,E-1203-043	1
B1	TIR8110024	TIRE,FLAT FREE,BLACK,14" OD,3" W,C-248 POWERTRAX TREAD,(GALLOP: 5508018 YT57)	1
C1	WHL1703586	WHEEL,ASSY,RIM,BLACK,ALUMINUM,8",5 SPOKE,D-1203-071	1
D1	MEC145417	HUB ASSEMBLY	1
E1	DWR1005B049	NUT,LUG,ZINC,5/16-24,B-1005-049	5

5-Spoke, 14" x 3" Drive Wheels



****Note:** The inserts contain all of the adhesive mounting fasteners.**

Painted Wheel Inserts			
Ref#	Color Name	Part Suffix	Color Code
A1	Back in Black	PBK1	PPW-BLK-01
B1	Night Train	PBK3	PPW-BLK-03
C1	Grey Street	PSL3	PPW-SIL-03
D1	Silver Bullet	PSL7	PPW-SIL-07
E1	White Satin	PWT2	PPW-WHT-02
F1	Red Corvette	PRD1	PPW-RED-01
G1	Cherry Bomb	PRD4	PPW-RED-04
H1	Pretty in Pink	PPK3	PPW-PNK-03
I1	Raspberry Beret	PPK4	PPW-PNK-04
J1	Sugar Plum	PPR7	PPW-PRP-07
K1	Deep Purple	PPR5	PPW-PRP-05
L1	Midnight Blue	PBU10	PPW-BLU-10
M1	Electric Blue	PBU9	PPW-BLU-09
N1	Blue Jean	PBU11	PPW-BLU-11
O1	Green Machine	PGN11	PPW-GRN-11
P1	Military Green	PGN8	PPW-GRN-08
Q1	Lime Light	PGN7	PPW-GRN-07
R1	Yellow Blaze	PYL3	PPW-YEL-03
S1	Lemon Crush	PYL4	PPW-YEL-04
T1	Orange Crush	POR6	PPW-ORN-06
U1	Evolution Orange	POR7	PPW-ORN-07
V1	Carbon Fiber	WCB1	PWT-CBN-01
W1	Digital Camo	WCM7	PWT-CMO-07
X1	Faded Glory	WFL2	PWT-FLG-02

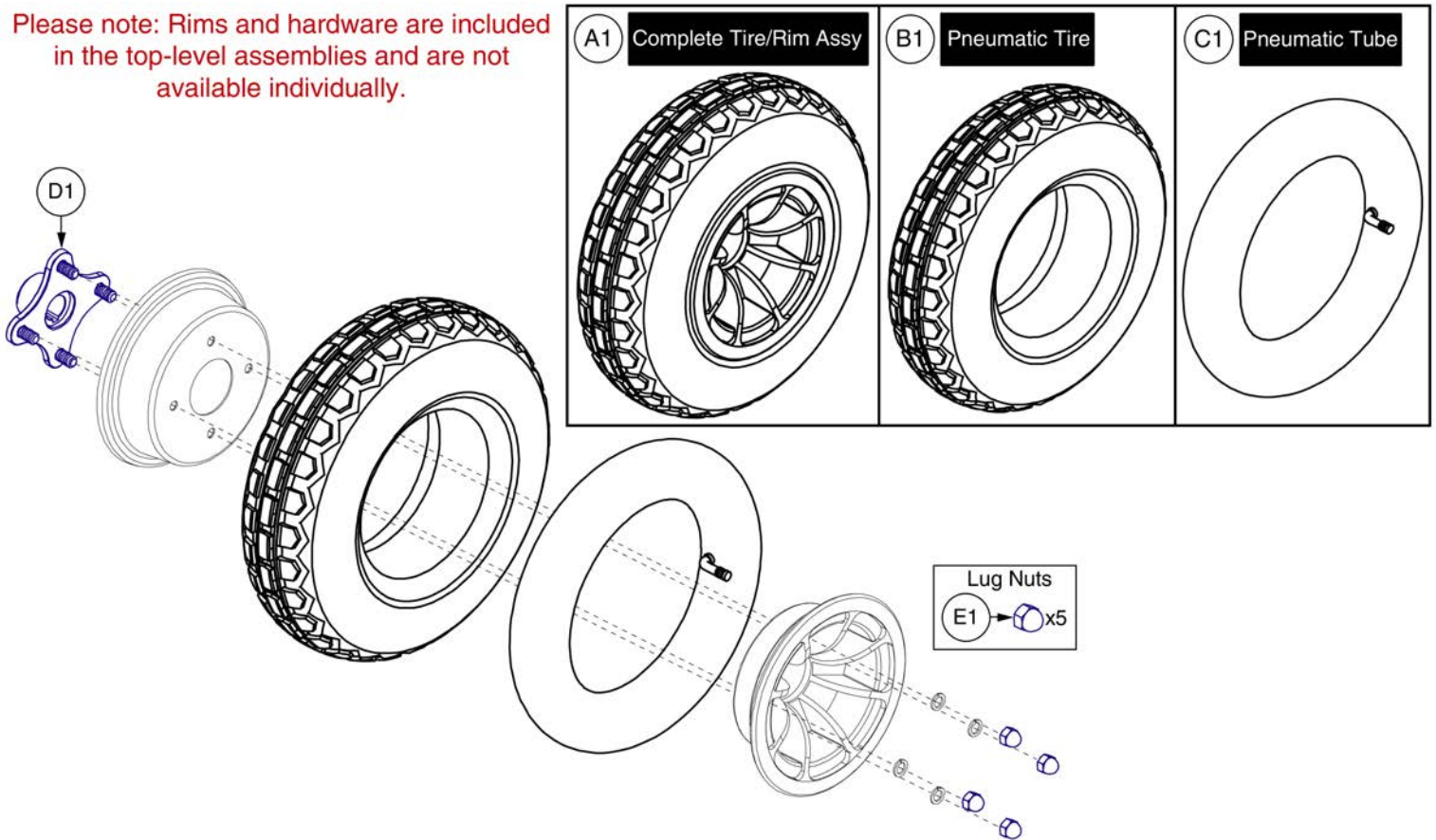
Painted Wheel Inserts



Item	Part No.	Name	Qty
A1	DGN164245-PBK1	DRIVE WHEEL COLOR INSERT, WITH ADHESIVE TAPE, PPW-BLK-01 (BACK IN BLACK/BLACK)	1
B1	DGN164245-PBK3	DRIVE WHEEL COLOR INSERT, WITH ADHESIVE TAPE, PPW-BLK-03 (NIGHT TRAIN)	1
C1	DGN164245-PSL3	DRIVE WHEEL COLOR INSERT, WITH ADHESIVE TAPE, PPW-SIL-03 (GREY STREET)	1
D1	DGN164245-PSL7	DRIVE WHEEL COLOR INSERT, WITH ADHESIVE TAPE, PPW-SIL-07 (SILVER BULLET)	1
E1	DGN164245-PWH2	DRIVE WHEEL COLOR INSERT, WITH ADHESIVE TAPE, PPW-WHT-02 (WHITE SATIN)	1
F1	DGN164245-PRD1	DRIVE WHEEL COLOR INSERT, WITH ADHESIVE TAPE, PPW-RED-01 (RED CORVETTE/CANDY APPLE RED)	1
G1	DGN164245-PRD4	DRIVE WHEEL COLOR INSERT, WITH ADHESIVE TAPE, PPW-RED-04(CHERRY BOMB)	1
H1	DGN164245-PPK3	DRIVE WHEEL COLOR INSERT, WITH ADHESIVE TAPE, PPW-PNK-03 (PRETTY IN PINK)	1
I1	DGN164245-PPK4	DRIVE WHEEL COLOR INSERT, WITH ADHESIVE TAPE, PPW-PNK-04(RASPBERRY BERET)	1
J1	DGN164245-PPR7	DRIVE WHEEL COLOR INSERT, WITH ADHESIVE TAPE, PPW-PRP-07(SUGAR PLUM)	1
K1	DGN164245-PPR5	DRIVE WHEEL COLOR INSERT, WITH ADHESIVE TAPE, PPW-PRP-05 (DEEP PURPLE)	1
L1	DGN164245-PBU10	DRIVE WHEEL COLOR INSERT, WITH ADHESIVE TAPE, PPW-BLU-10 (MIDNIGHT BLUE)	1
M1	DGN164245-PBU9	DRIVE WHEEL COLOR INSERT, WITH ADHESIVE TAPE, PPW-BLU-09 (ELECTRIC BLUE/TRUE BLUE)	1
N1	DGN164245-PBU11	DRIVE WHEEL COLOR INSERT, WITH ADHESIVE TAPE, PPW-BLU-11(BLUE JEAN)	1
O1	DGN164245-PGN11	DRIVE WHEEL COLOR INSERT, WITH ADHESIVE TAPE, PPW-GRN-11(GREEN MACHINE)	1
P1	DGN164245-PGN8	DRIVE WHEEL COLOR INSERT, WITH ADHESIVE TAPE, PPW-GRN-08 (MILITARY GREEN)	1
Q1	DGN164245-PGN7	DRIVE WHEEL COLOR INSERT, WITH ADHESIVE TAPE, PPW-GRN-07 (LIME LIGHT)	1
R1	DGN164245-PYL3	DRIVE WHEEL COLOR INSERT, WITH ADHESIVE TAPE, PPW-YEL-03 (YELLOW BLAZE/ORION YELLOW)	1
S1	DGN164245-PYL4	DRIVE WHEEL COLOR INSERT, WITH ADHESIVE TAPE, PPW-YEL-04(LEMON CRUSH)	1
T1	DGN164245-POR6	DRIVE WHEEL COLOR INSERT, WITH ADHESIVE TAPE, PPW-ORN-06 (ORANGE CRUSH)	1
U1	DGN164245-POR7	DRIVE WHEEL COLOR INSERT, WITH ADHESIVE TAPE, PPW-ORN-07(EVOLUTION ORANGE)	1
V1	DGN164245-WCB1	DRIVE WHEEL COLOR INSERT, WITH ADHESIVE TAPE, PWT-CBN-01 (CARBON FIBER)	1
W1	DGN164245-WCM7	DRIVE WHEEL COLOR INSERT, WITH ADHESIVE TAPE, PWT-CMO-07 (MILITARY DIGITAL CAMO)	1
X1	DGN164245-WFL2	DRIVE WHEEL COLOR INSERT, WITH ADHESIVE TAPE, PWT-FLG-02 (FADED GLORY)	1

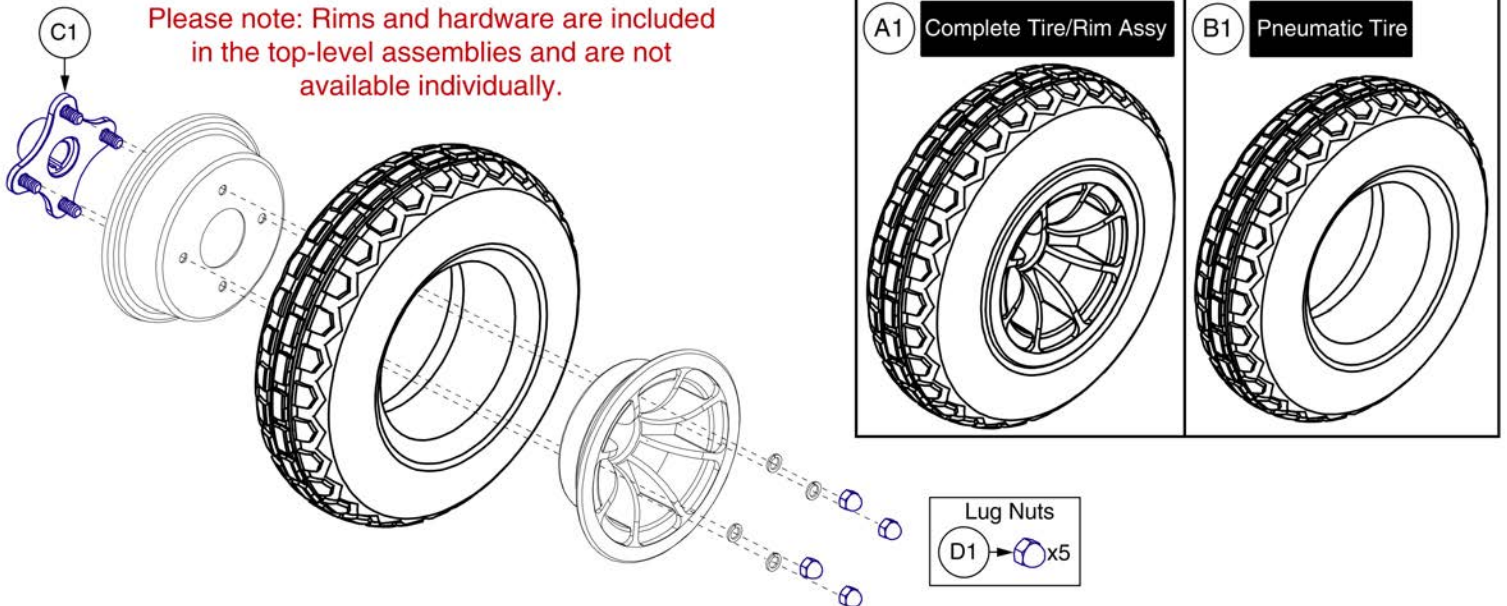
4-Spoke, 14" x 4" Drive Wheels (Knobby Tire)

Please note: Rims and hardware are included in the top-level assemblies and are not available individually.



Item	Part No.	Name	Qty
A1	WHL147599	WHEEL,ASSY,PNEUMATIC,14" X 4" DRIVE,BLACK RIM/BLACK TIRE	1
B1	TIR8110017	TIRE,PNEUMATIC,BLACK,14" OD, 4" W,C166 KNOBBY TREAD,(GALLOP: RP265087)	1
C1	TUBSTND1043	TIRE,TUBE,4.00-6,90 DEGREE VALVE STEM,(TAG: 163265)	1
D1	MEC145470	HUB, W/STUDS, KNOBBY TIRE, LINIX SHAFT	1
E1	NUTACRN1005	NUT, HEX, ACORN, .375-24, GR 2, ZN	4

4-Spoke, 14" x 4" Drive Wheels (Knobby Tire)

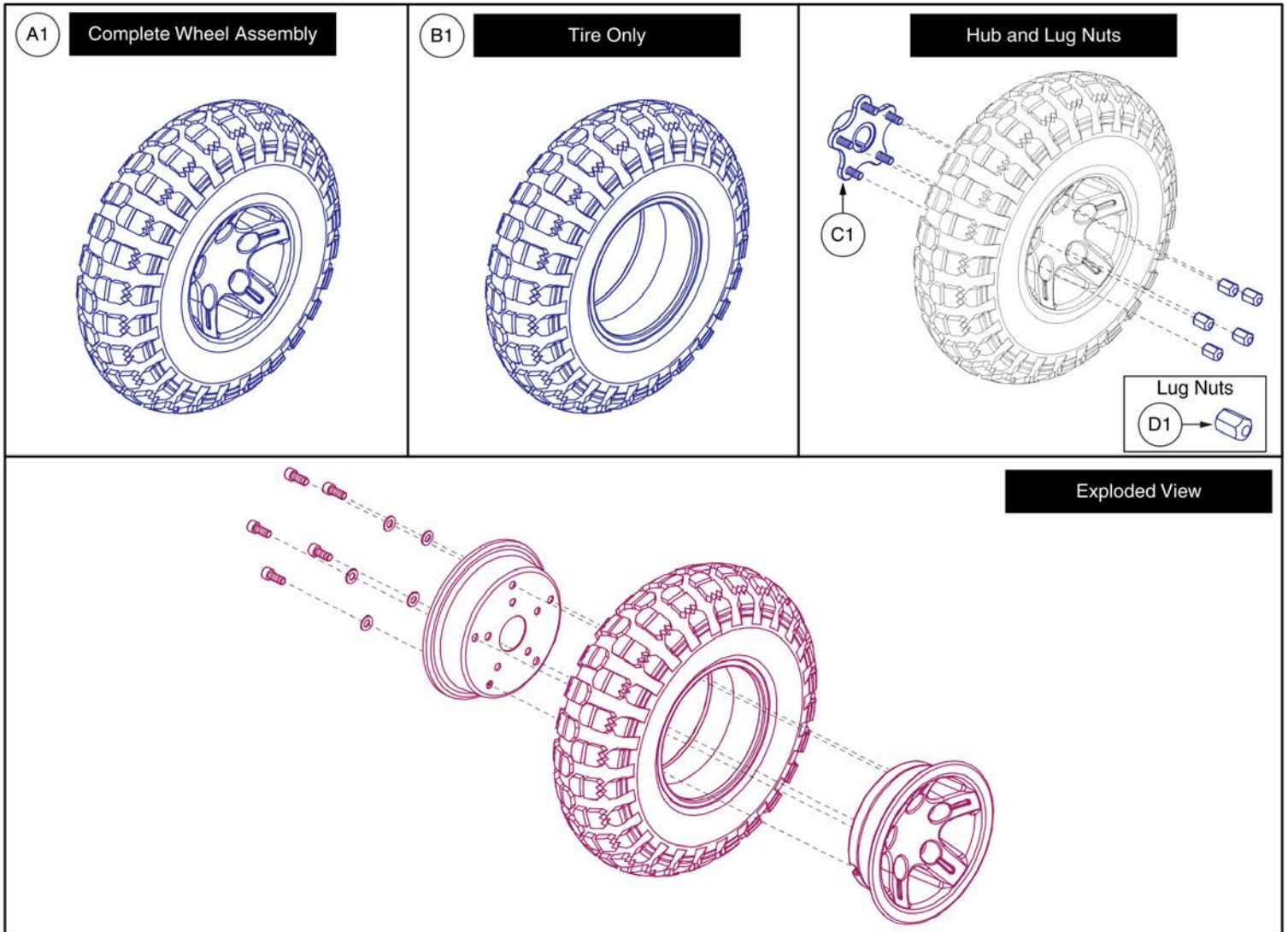


Item	Part No.	Name	Qty
A1	WHL147601	WHEEL,ASSY,FLAT FREE,14" X 4" DRIVE,BLACK RIM/BLACK TIRE	1
B1	TIR8110019	TIRE,FLAT FREE,BLACK,14" OD,4" W,C166 KNOBBY TREAD,(GALLOP: 114292)	1
C1	MEC145470	HUB, W/STUDS, KNOBBY TIRE, LINIX SHAFT	1
D1	NUTACRN1005	NUT, HEX, ACORN, .375-24, GR 2, ZN	4

5-Spoke, 14" x 4" Drive Wheels (Knobby Tire)

Please note:

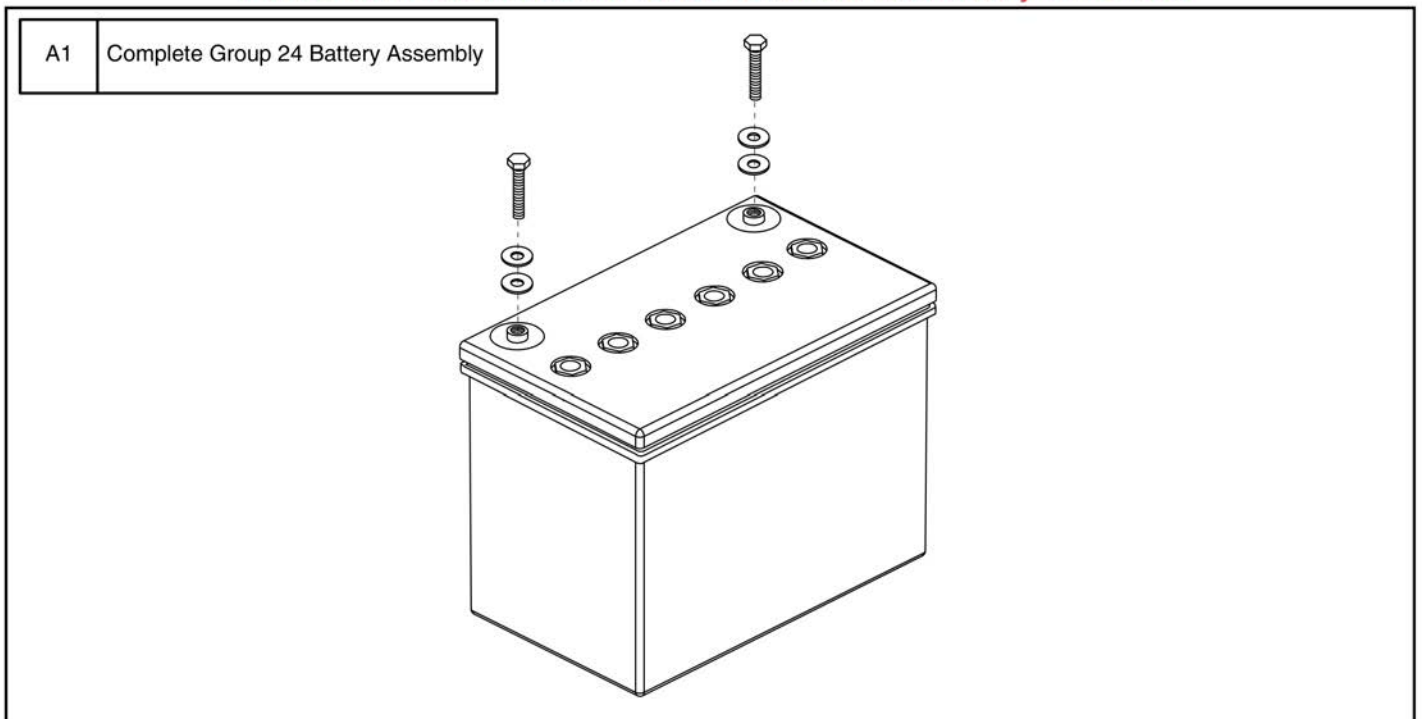
- The 14" x 4" drive wheel with 5 spoke hub is used on the following models manufactured on or after 08/17/20: 4Front, Q6 Edge 3, Q6 Edge 2.0, Q6 Edge 2.0X
- Only serviceable parts contain callouts. The parts without callouts require the complete assembly to be selected.
- Contact Technical Service for more information.



Item	Part No.	Name	Qty
A1	WHL1903913	WHEEL ASSY, FLAT FREE BLACK 14 X 4 DRIVE BLACK RIM/BLACK TIRE, COMMUNITY USE	1
B1	TIR8110019	TIRE,FLAT FREE,BLACK,14" OD,4" W,C166 KNOBBY TREAD,(GALLOP: 114292)	1
C1	MEC145417	HUB ASSEMBLY	1
D1	DWR1005B049	NUT,LUG,ZINC,5/16-24,B-1005-049	5

13. Batteries

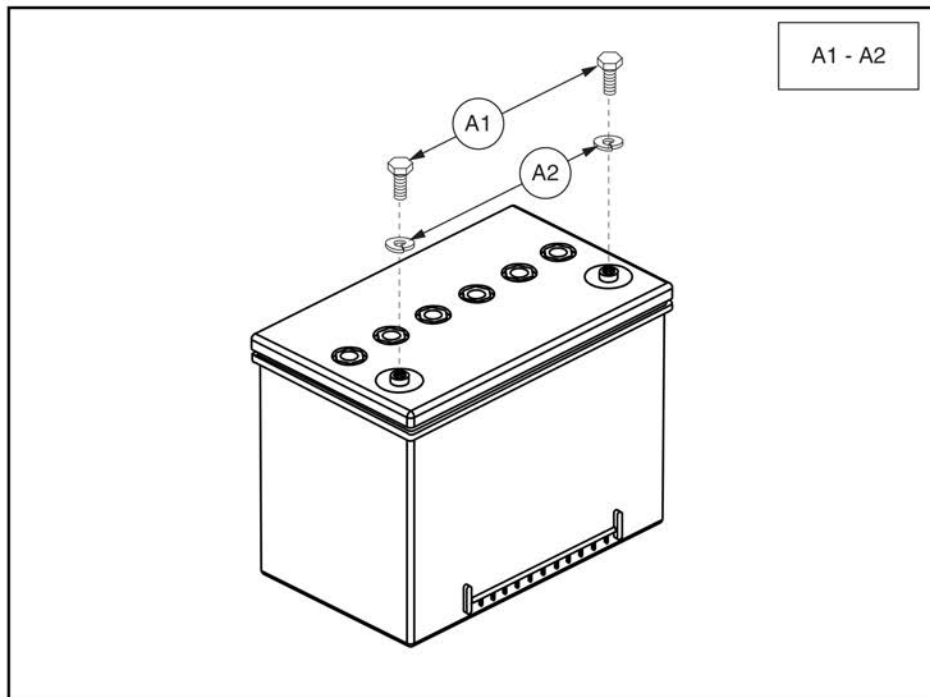
*** Please note that hardware is not available individually if needed.***





Item	Part No.	Name	Qty
A1	BAT121347	BATTERY,AGM,75AH,GROUP 24,H1000-191,(MK: M24 SLD A)	1

13. Batteries

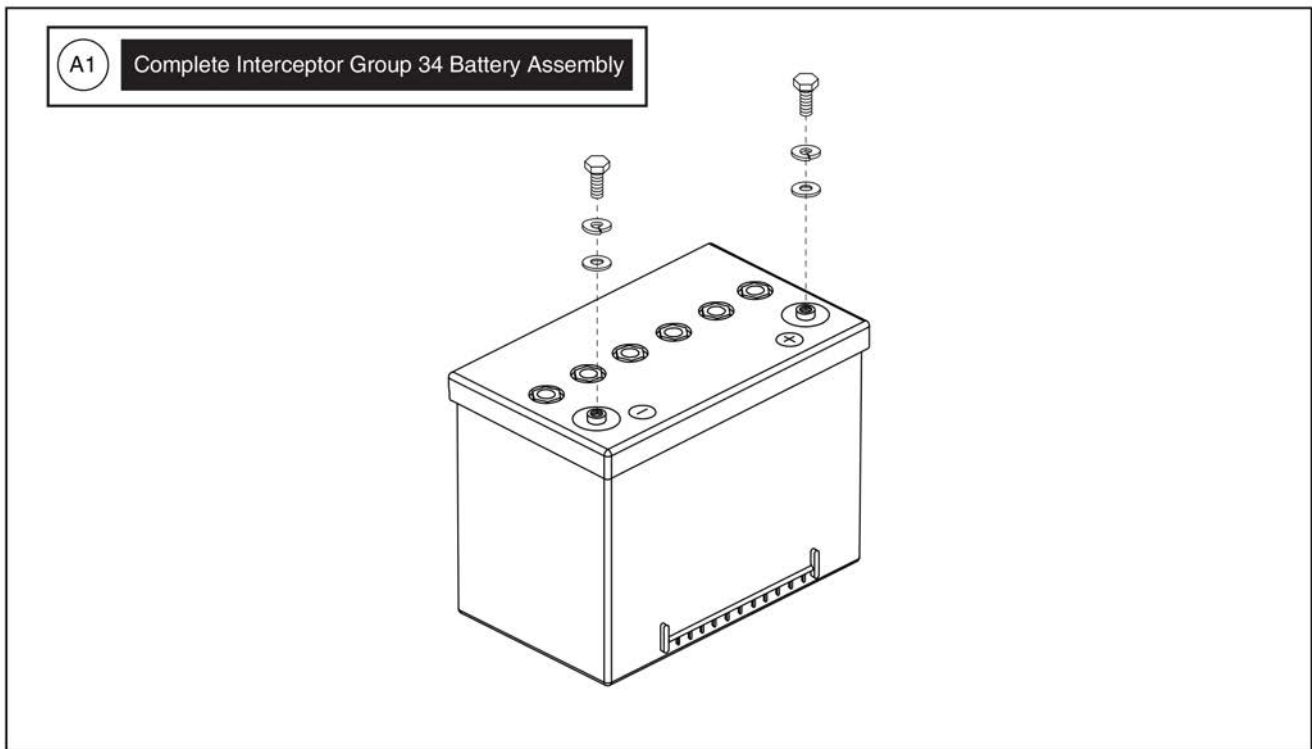


Group 34 Flush Mount Terminal Battery



Item	Part No.	Name	Qty
A1 - A2	BATGEL1006	BATTERY,GEL,GROUP 34,W/FLUSH MOUNT TERMINALS,H-1000-140	1
A1	SCRHHCS1667	SCREW,HHCS,STAINLESS STEEL,1/4-20 X 0.50"	2
A2	WASLOCK1084	WASHER,LOCK,STAINLESS STEEL,0.25" ID X 0.4375" OD X 0.0625" TH	2

13. Batteries

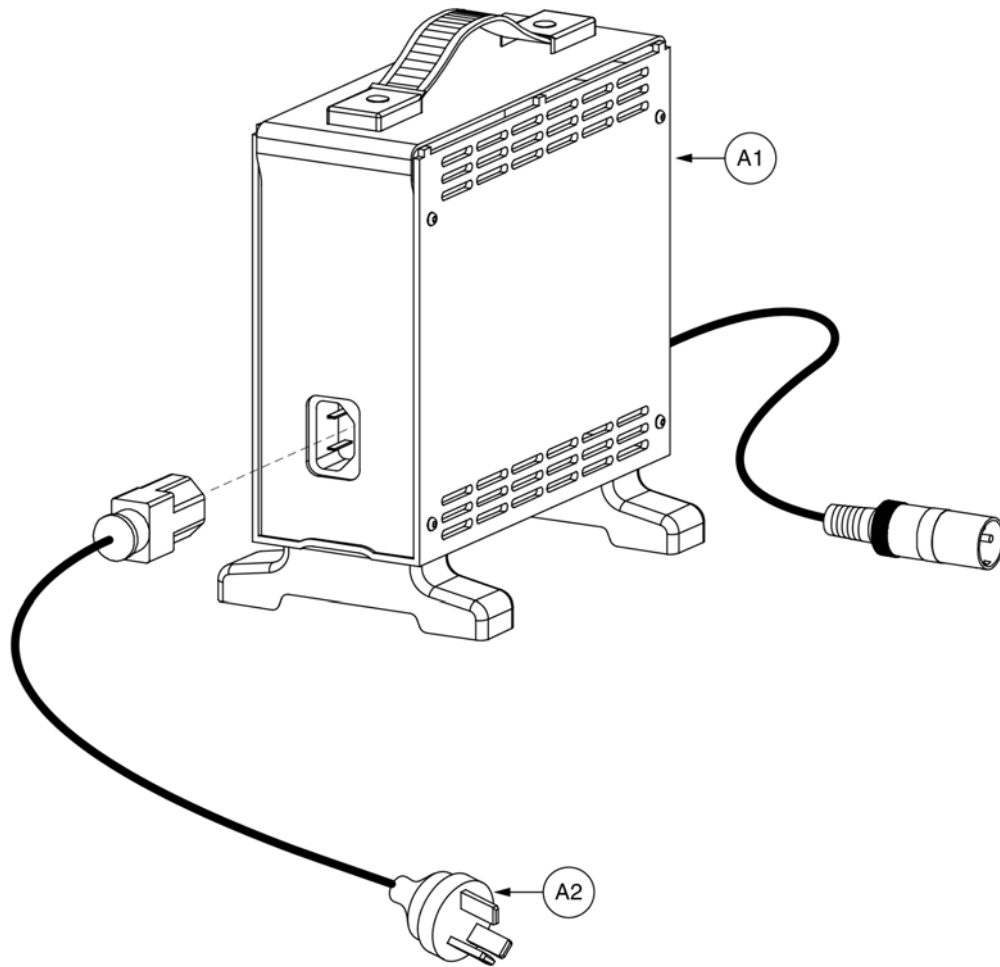


Group 34 Battery, Interceptor



Item	Part No.	Name	Qty
A1	BAT1708797-P	BATTERY,PACKAGED,INTERCEPTOR,GEL,60AH/3HR,GROUP 34,(YAHENG: 6-EVF-60)	1

14. Battery Charger

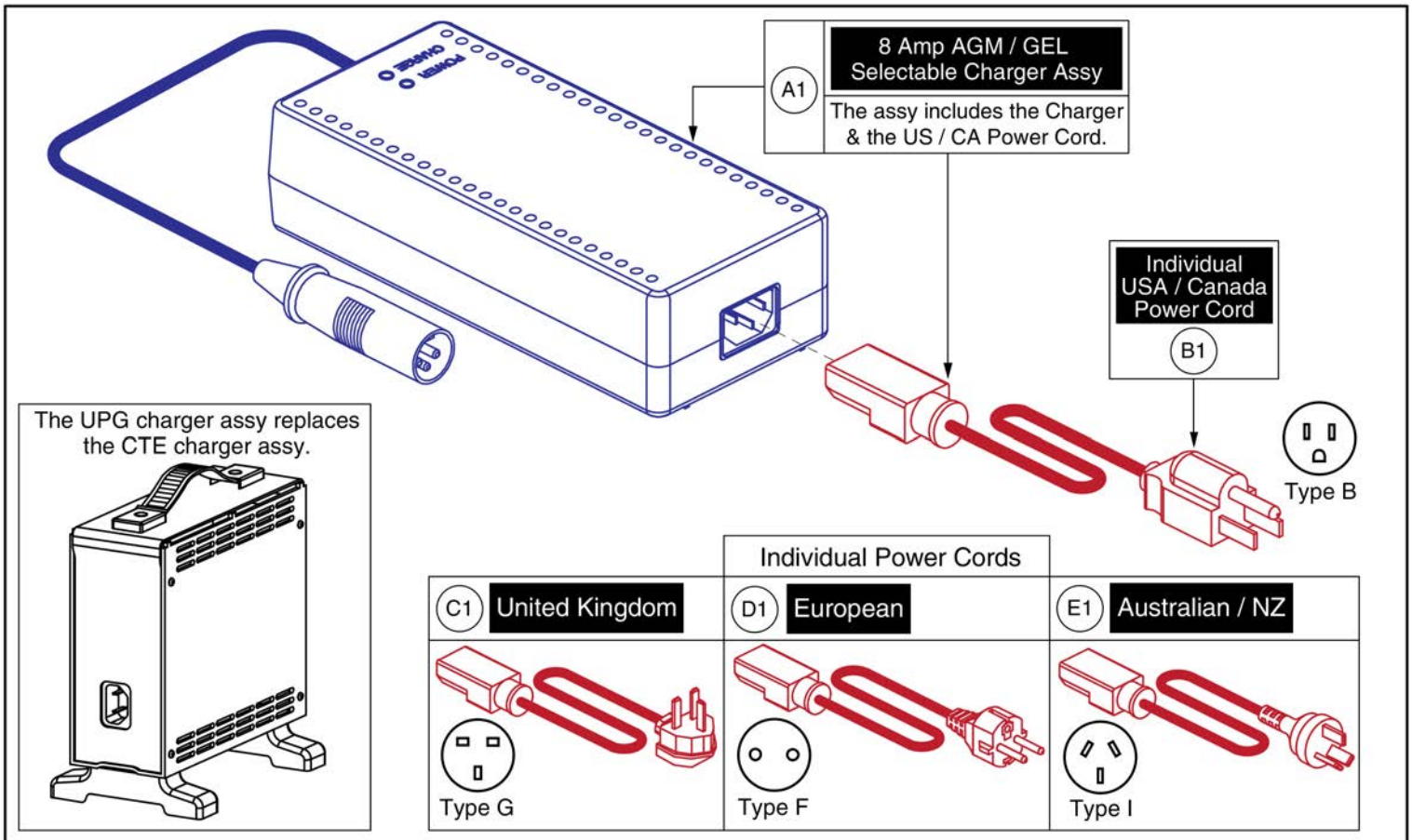


8 amp CTE Charger, Australia



Item	Part No.	Name	Qty
A1 - A3	ELEASMB5672	CHARGER,ASSY,OFFBOARD,LOW INHIBIT,110V-230V,8AMP,W/AUSTRALIA POWERCORD	1
A1		CHARGER,OFFBOARD,LOW INHIBIT,110V-230V,8AMP,H-1000-192,(CTE: CK84215000)	1
A2	DWR1000H174	ELECTRONIC,HARNES,AC POWER CORD,INSULATED BLADES,AUSTRALIA,H-1000-174	1
A3	DWR1235L520	DECAL,CAUTION,EXTENSION CORD/GROUNDING PRONG,L-1235-520	1

14. Battery Charger



8 Amp UPG Charger Assy, AGM / GEL Selectable



Item	Part No.	Name	Qty
A1	ELE1803440	CHARGER, OFFBOARD, LOW INHIBIT, AC 100V-240V, DC 28.6-29.6V @8A, AGM/GEL SELECTABLE, WITH USA CORDSET	1
B1	HARUSHD1065	ELECTRONIC,HARNESS,POWER CORD,IEC - USA,H-1000-128	1
C1	HARUSHD2041	ELECTRONIC,HARNESS, POWER CORD,AC W/UK PLUG,H-1020-049	1
D1	HARUSHD2160	ELECTRONIC,HARNESS,POWER CORD,IEC - EUROPE PLUG	1
E1	DWR1000H174	ELECTRONIC,HARNESS,AC POWER CORD,INSULATED BLADES,AUSTRALIA,H-1000-174	1

15.1. Swing-away, Version 3

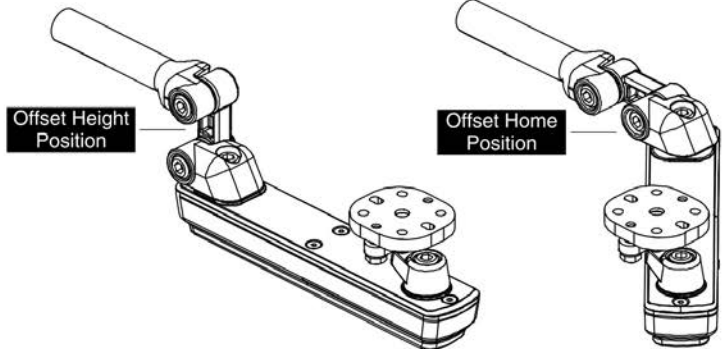
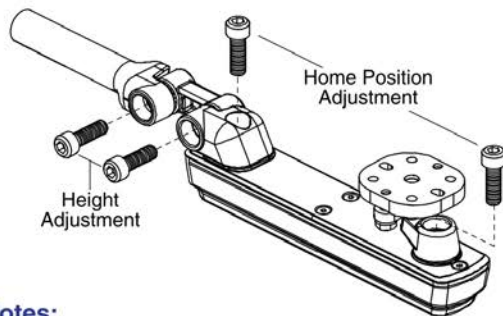
Complete Swing-away Mount w/ Hardware				Please Note:	
Ref	Part Number	Mounting Hardware	Seating Type	- The complete assemblies A1 thru F1 include the swing-away joystick mount and the applicable joystick mounting hardware. - The contoured seat assemblies also include the armrest adapter K1. * PG Drives does NOT include Remote Plus. Contact Technical Service for more information.	
A1	ACC1908434	Q-Logic	Rehab		
B1	ACC1908435	Q-Logic	Contoured		
C1	ACC1908437	NE/NE+	Rehab		
D1	ACC1908438	NE/NE+	Contoured		
E1	ACC1908439	PG Drives*	Rehab		
F1	ACC1908440	PG Drives*	Contoured		

Mounting Hardware		
<p>NE / NE+</p> <p>G1</p> <p>H1 x4</p>	<p>Q-Logic</p> <p>I1 x4</p>	<p>Contoured Seat Armrest Adapter</p> <p>K1</p>
<p>PG Drives</p> <p>J1 x2</p> <p>*Does not include Remote Plus Joysticks</p>		

Swing-away Joystick Mount

Adjustments

Height and Home Position Adjustments

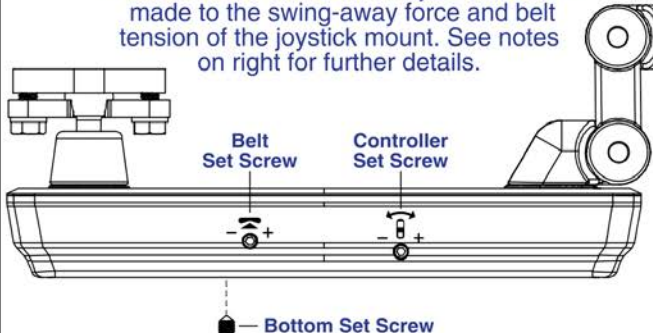


Notes:

- Loosen the appropriate screws to adjust the height or home position of the swing-away joystick mount.
- Each pivot can be adjusted independently in 15 Degree increments to allow for a wide range of positions and angles.
- The "Home" position refers to the orientation the joystick & mount rest while the chair is in use and the mount is not performing the swing-away action.

Swing-away Force Adjustment and Belt Tightening

Three set screws allow for adjustments to be made to the swing-away force and belt tension of the joystick mount. See notes on right for further details.



Set Screw:	Notes:
<p>Controller</p>	- Used to adjust the force needed to swing the joystick mount away. Force range depends on where the Bottom Set Screw is positioned. - Used to set the force range of the Controller Set Screw . Removed sets the range from 3 to 6lbs. Inserted sets the range from 5 to 8lbs.
<p>Bottom</p>	
<p>Belt</p>	- Used to adjust the internal belt tension. Turn inward 1/4 turn if the controller does not maintain the set orientation when swinging away or if the controller spins. - Note: This ONLY needs to be adjusted if the belt is loose and should be performed rarely.

Item	Part No.	Name	Qty
A1	ACC1908434	JOYSTICK MOUNTING BRACKET,ASSY,SWING AWAY,Q-LOGIC	1
B1	ACC1908435	JOYSTICK MOUNTING BRACKET,ASSY,SWING AWAY,Q-LOGIC CONTOURED SEAT	1
C1	ACC1908437	JOYSTICK MOUNTING BRACKET,ASSY,SWING AWAY,NE / NE PLUS	1
D1	ACC1908438	JOYSTICK MOUNTING BRACKET,ASSY,SWING AWAY,NE / NE PLUS CONTOURED SEAT	1
E1	ACC1908439	JOYSTICK MOUNTING BRACKET,ASSY,SWING AWAY,VSI / VR2 / GC3 / R-NET	1
F1	ACC1908440	JOYSTICK MOUNTING BRACKET,ASSY,SWING AWAY,VSI / VR2 / GC3 / R-NET CONTOURED SEAT	1
G1	DWR1111C002	SPACER,CURTIS NE/NE PLUS MOUNT BRACKET,C-1111-002	2
H1	SCRPPH1384	SCREW,PPH,BLACK ZINC,M5-.8 X 20MM	4
I1	SCRPPH1279	SCREW,PPH,BLACK ZINC CHROMATE,M5-.8 X 16MM	4
J1	SCRPPH1384	SCREW,PPH,BLACK ZINC,M5-.8 X 20MM	2
K1	MEC146133	ARMREST ADAPTER ASSEMBLY	1

15.2. Version 2. Swing-away/Multi-axis Joystick Brackets

Rehab Seating

Ref	Part Number	Bracket Type	Joystick Type	Side	Ref	Part Number	Bracket Type	Joystick Type	Side
A1	ACC142525	In-line SWA	Q-Logic	Right	N1	ACC142747	Offset SWA	NE/NE+	Left
B1	ACC142524	In-line SWA	Q-Logic	Left	O1	ACC142750	Offset SWA	PG Drives	Right
C1	ACC142527	In-line SWA	NE/NE+	Right	P1	ACC142749	Offset SWA	PG Drives	Left
D1	ACC142526	In-line SWA	NE/NE+	Left	Q1	ACC142752	Offset SWA	Shark	Right
E1	ACC142530	In-line SWA	PG Drives	Right	R1	ACC142751	Offset SWA	Shark	Left
F1	ACC142529	In-line SWA	PG Drives	Left	S1	ACC142746	Offset SWA	Standalone	Right
G1	ACC142533	In-line SWA	Shark	Right	T1	ACC142745	Offset SWA	Standalone	Left
H1	ACC142532	In-line SWA	Shark	Left	U1	ACC131216	Multi-Axis	Q-Logic	R/L
I1	ACC142739	In-line SWA	Standalone	Right	V1	ACC142528	Multi-Axis	NE/NE+	R/L
J1	ACC142738	In-line SWA	Standalone	Left	W1	ACC142531	Multi-Axis	PG Drives	R/L
K1	ACC142743	Offset SWA	Q-Logic	Right	X1	ACC142534	Multi-Axis	Shark	R/L
L1	ACC142742	Offset SWA	Q-Logic	Left	Y1	ACC142740	Multi-Axis	Standalone	R/L
M1	ACC142748	Offset SWA	NE/NE+	Right					

PG Drives does not include Remote Plus Joysticks

Item	Part No.	Name	Qty
A1	ACC142525	JOYSTICK MOUNT,ASSY,SWING AWAY,INLINE,RIGHT,Q-LOGIC 2	1
B1	ACC142524	JOYSTICK MOUNTING BRACKET,ASSY,SWING AWAY,INLINE,LEFT,Q-LOGIC 2	1
C1	ACC142527	JOYSTICK MOUNT,ASSY,SWING AWAY,INLINE,RIGHT,NE/NE PLUS	1
D1	ACC142526	JOYSTICK MOUNT,ASSY,SWING AWAY,INLINE,LEFT,NE/NE PLUS	1
E1	ACC142530	JOYSTICK MOUNT,ASSY,SWING AWAY,INLINE,RIGHT,PG DRIVES	1
F1	ACC142529	JOYSTICK MOUNT,ASSY,SWING AWAY,INLINE,LEFT,PG DRIVES	1
G1	ACC142533	JOYSTICK MOUNT,ASSY,SWING AWAY,INLINE,RIGHT,SHARK	1
H1	ACC142532	JOYSTICK MOUNT,ASSY,SWING AWAY,INLINE,LEFT,SHARK	1
I1	ACC142739	JOYSTICK MOUNT,ASSY,SWING AWAY,INLINE,RIGHT,STANDALONE	1
J1	ACC142738	JOYSTICK MOUNT,ASSY,SWING AWAY,INLINE,LEFT,STANDALONE	1
K1	ACC142743	JOYSTICK MOUNT,ASSY,SWING AWAY,OFFSET,RIGHT,Q-LOGIC	1
L1	ACC142742	JOYSTICK MOUNT,ASSY,SWING AWAY,OFFSET,LEFT,Q-LOGIC	1
M1	ACC142748	JOYSTICK MOUNT,ASSY,SWING AWAY,OFFSET,RIGHT,NE/NE PLUS	1
N1	ACC142747	JOYSTICK MOUNT,ASSY,SWING AWAY,OFFSET,LEFT,NE/NE PLUS	1
O1	ACC142750	JOYSTICK MOUNT,ASSY,SWING AWAY,OFFSET,RIGHT,PG DRIVES	1
P1	ACC142749	JOYSTICK MOUNT,ASSY,SWING AWAY,OFFSET,LEFT,PG DRIVES	1
Q1	ACC142752	JOYSTICK MOUNT,ASSY,SWING AWAY,OFFSET,RIGHT,SHARK	1
R1	ACC142751	JOYSTICK MOUNT,ASSY,SWING AWAY,OFFSET,LEFT,SHARK	1
S1	ACC142746	JOYSTICK MOUNT,ASSY,SWING AWAY,OFFSET,RIGHT,STANDALONE	1
T1	ACC142745	JOYSTICK MOUNT,ASSY,SWING AWAY,OFFSET,LEFT,STANDALONE	1
U1	ACC131216	JOYSTICK MOUNT,ASSY,MULTI-AXIS,Q-LOGIC	1
V1	ACC142528	JOYSTICK MOUNT,ASSY,MULTI-AXIS,NE/NE PLUS	1
W1	ACC142531	JOYSTICK MOUNT,ASSY,MULTI-AXIS,PG DRIVES	1
X1	ACC142534	JOYSTICK MOUNT,ASSY,MULTI-AXIS,SHARK	1
Y1	ACC142740	JOYSTICK MOUNT,ASSY,MULTI-AXIS,STANDALONE	1

15.2. Version 2. Swing-away/Multi-axis Joystick Brackets

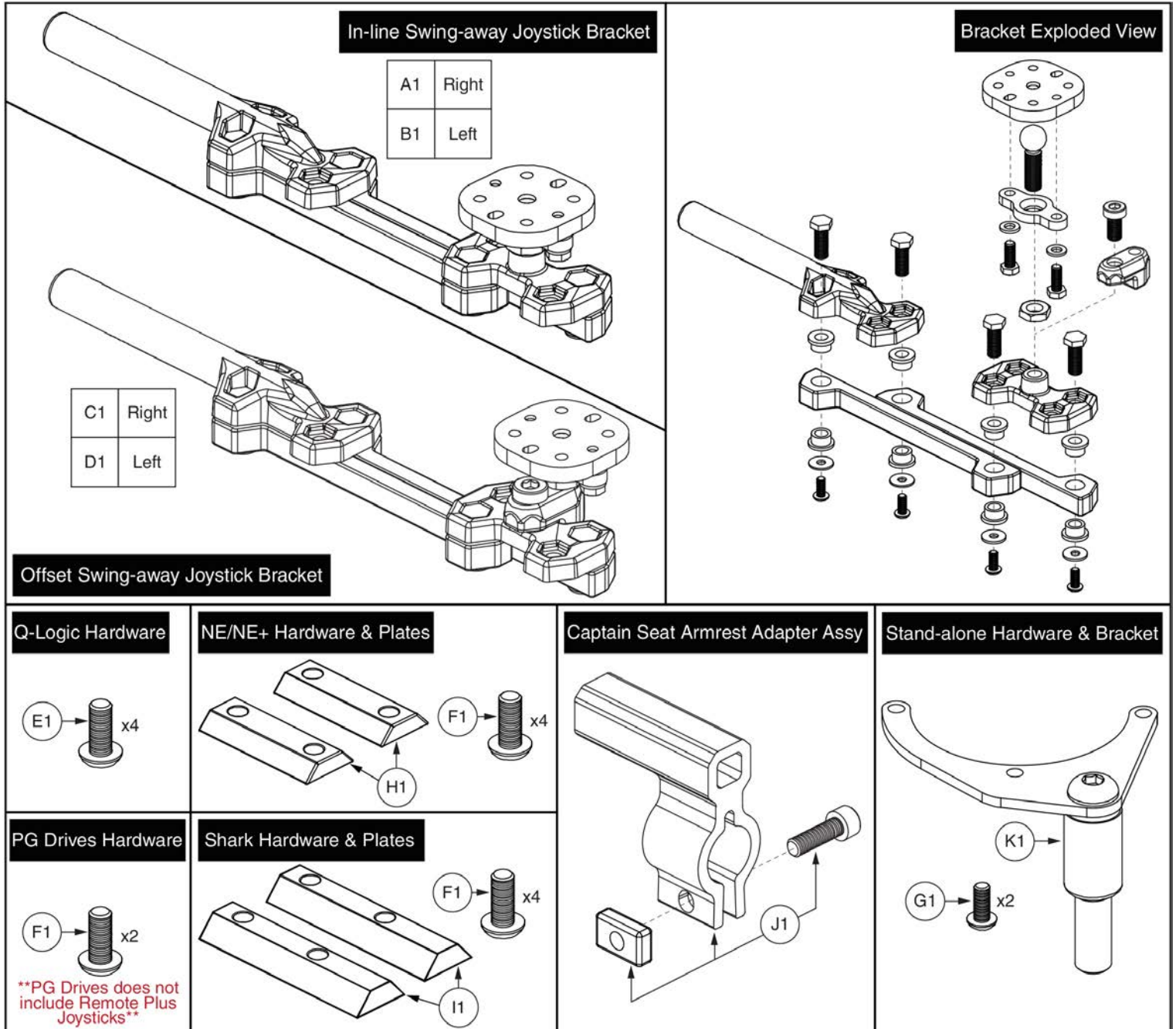
Captain Seating

Ref	Part Number	Bracket Type	Joystick Type	Side	Ref	Part Number	Bracket Type	Joystick Type	Side
A1	ACC148357	In-line SWA	Q-Logic	Right	I1	ACC148359	Offset SWA	Q-Logic	Right
B1	ACC148356	In-line SWA	Q-Logic	Left	J1	ACC148358	Offset SWA	Q-Logic	Left
C1	ACC148361	In-line SWA	NE/NE+	Right	K1	ACC148363	Offset SWA	NE/NE+	Right
D1	ACC148360	In-line SWA	NE/NE+	Left	L1	ACC148362	Offset SWA	NE/NE+	Left
E1	ACC148365	In-line SWA	PG Drives	Right	M1	ACC148367	Offset SWA	PG Drives	Right
F1	ACC148364	In-line SWA	PG Drives	Left	N1	ACC148366	Offset SWA	PG Drives	Left
G1	ACC148369	In-line SWA	Shark	Right	O1	ACC148371	Offset SWA	Shark	Right
H1	ACC148368	In-line SWA	Shark	Left	P1	ACC148370	Offset SWA	Shark	Left

PG Drives does not include Remote Plus Joysticks

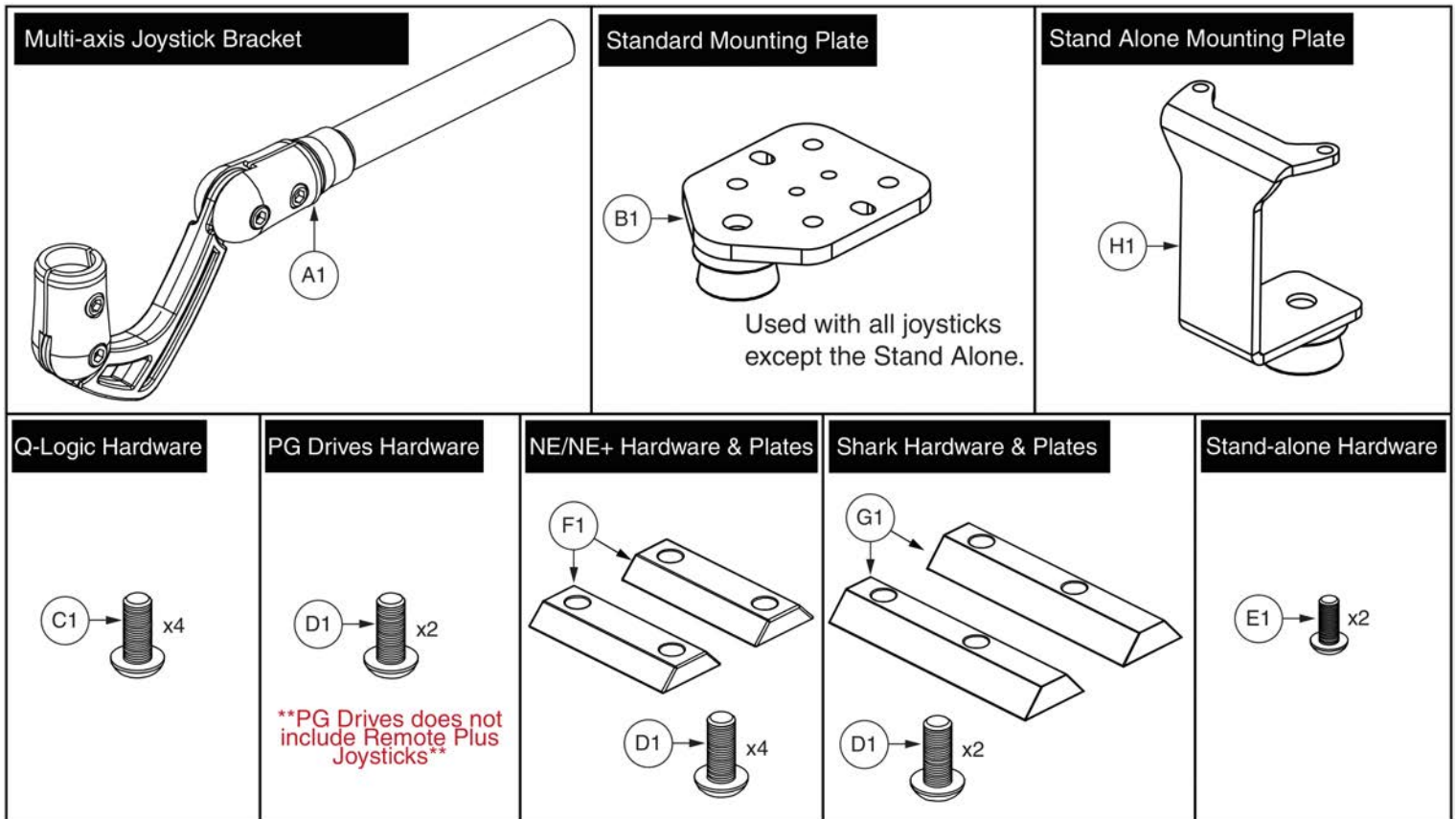
Item	Part No.	Name	Qty
A1	ACC148357	JOYSTICK MOUNTING BRACKET,ASSY,SWING AWAY,INLINE,RIGHT,Q-LOGIC,CAPTAINS SEAT	1
B1	ACC148356	JOYSTICK MOUNTING BRACKET,ASSY,SWING AWAY,INLINE,LEFT,Q-LOGIC,CAPTAINS SEAT	1
C1	ACC148361	JOYSTICK MOUNTING BRACKET,ASSY,SWING AWAY,INLINE,RIGHT,NE/NE PLUS,CAPTAINS SEAT	1
D1	ACC148360	JOYSTICK MOUNTING BRACKET,ASSY,SWING AWAY,INLINE,LEFT,NE/NE PLUS,CAPTAINS SEAT	1
E1	ACC148365	JOYSTICK MOUNTING BRACKET,ASSY,SWING AWAY,INLINE,RIGHT,VSI/VR2/GC3/R-NET,CAPTAINS SEAT	1
F1	ACC148364	JOYSTICK MOUNTING BRACKET,ASSY,SWING AWAY,INLINE,LEFT,VSI/VR2/GC3/R-NET,CAPTAINS SEAT	1
G1	ACC148369	JOYSTICK MOUNTING BRACKET,ASSY,SWING AWAY,INLINE,RIGHT,SHARK,CAPTAINS SEAT	1
H1	ACC148368	JOYSTICK MOUNTING BRACKET,ASSY,SWING AWAY,INLINE,LEFT,SHARK,CAPTAINS SEAT	1
I1	ACC148359	JOYSTICK MOUNTING BRACKET,ASSY,SWING AWAY,OFFSET,RIGHT,Q-LOGIC,CAPTAINS SEAT	1
J1	ACC148358	JOYSTICK MOUNTING BRACKET,ASSY,SWING AWAY,OFFSET,LEFT,Q-LOGIC,CAPTAINS SEAT	1
K1	ACC148363	JOYSTICK MOUNTING BRACKET,ASSY,SWING AWAY,OFFSET,RIGHT,NE/NE PLUS,CAPTAINS SEAT	1
L1	ACC148362	JOYSTICK MOUNTING BRACKET,ASSY,SWING AWAY,OFFSET,LEFT,NE/NE PLUS,CAPTAINS SEAT	1
M1	ACC148367	JOYSTICK MOUNTING BRACKET,ASSY,SWING AWAY,OFFSET,RIGHT,VSI/VR2/GC3/R-NET,CAPTAINS SEAT	1
N1	ACC148366	JOYSTICK MOUNTING BRACKET,ASSY,SWING AWAY,OFFSET,LEFT,VSI/VR2/GC3/R-NET,CAPTAINS SEAT	1
O1	ACC148371	JOYSTICK MOUNTING BRACKET,ASSY,SWING AWAY,OFFSET,RIGHT,SHARK,CAPTAINS SEAT	1
P1	ACC148370	JOYSTICK MOUNTING BRACKET,ASSY,SWING AWAY,OFFSET,LEFT,SHARK,CAPTAINS SEAT	1

15.2. Version 2. Swing-away/Multi-axis Joystick Brackets



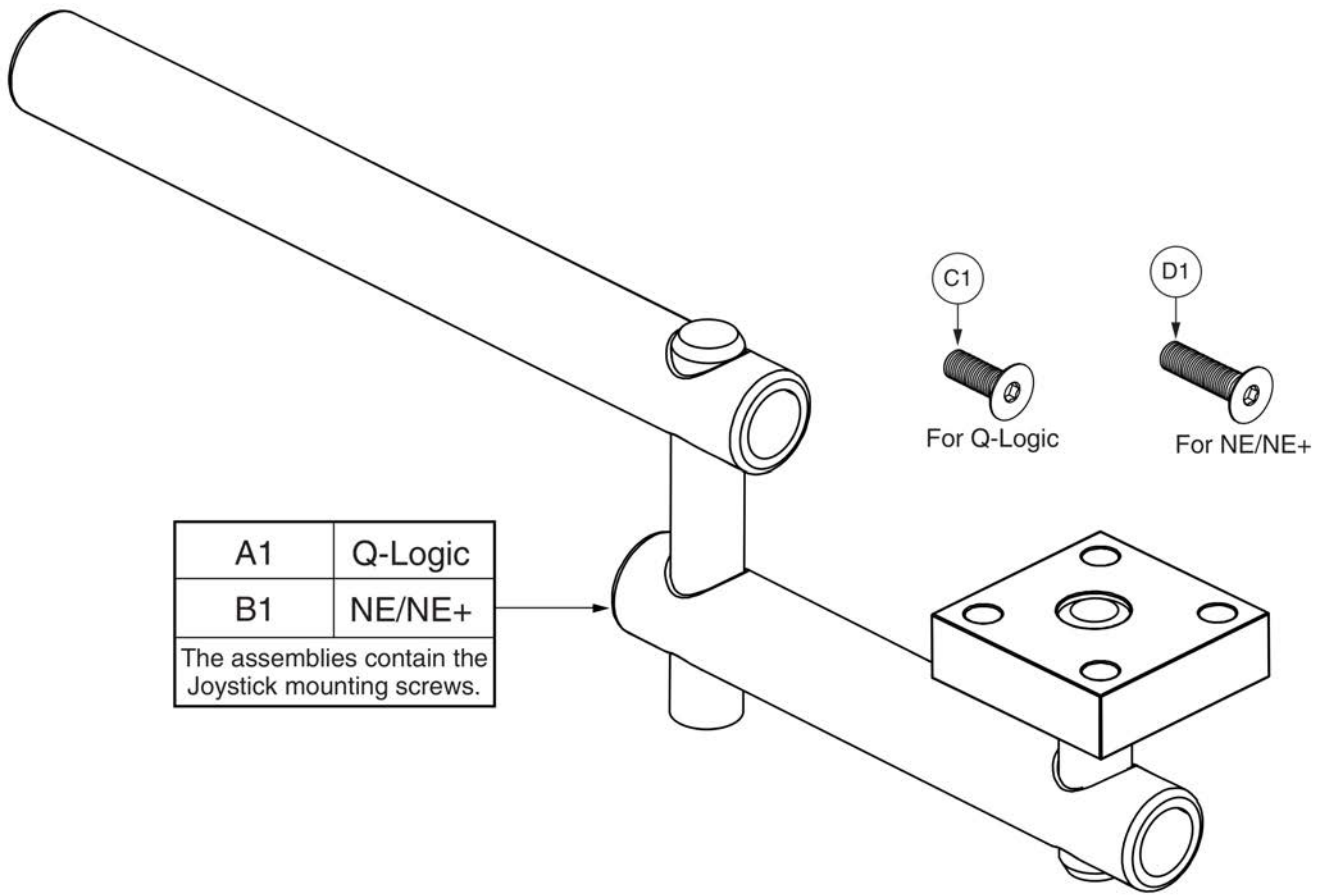
Item	Part No.	Name	Qty
A1	ACC131586	SWING AWAY JOYSTICK MOUNT,ASSY,INLINE,RIGHT	1
B1	ACC124921	SWING AWAY JOYSTICK MOUNT,ASSY,INLINE,LEFT	1
C1	MEC1712220	SWING-AWAY ASSEMBLY, EXTENDED OFFSET, RIGHT	1
D1	MEC1712217	SWING-AWAY ASSEMBLY, EXTENDED OFFSET, LEFT	1
E1	SCRPPH1279	SCREW,PPH,BLACK ZINC CHROMATE,M5-.8 X 16MM	1
F1	SCRPPH1384	SCREW,PPH,BLACK ZINC,M5-.8 X 20MM	1
G1	SCRPPH1036	SCREW, PAN HEAD, TYPE H, M4X0.7 X 8, FT, ISO 7045, CL 4.8, BZ	1
H1	DWR1111C002	SPACER,CURTIS NE/NE PLUS MOUNT BRACKET,C-1111-002	2
I1	DWR1010B089	SPACER,FLIGHT MOUNT BRACKET,B-1010-089	2
J1	MEC146133	ARMREST ADAPTER ASSEMBLY	1
K1	MEC142426	MOUNTING BRACKET,ASSY,STAND ALONE JOYSTICK	1

15.2. Version 2. Swing-away/Multi-axis Joystick Brackets



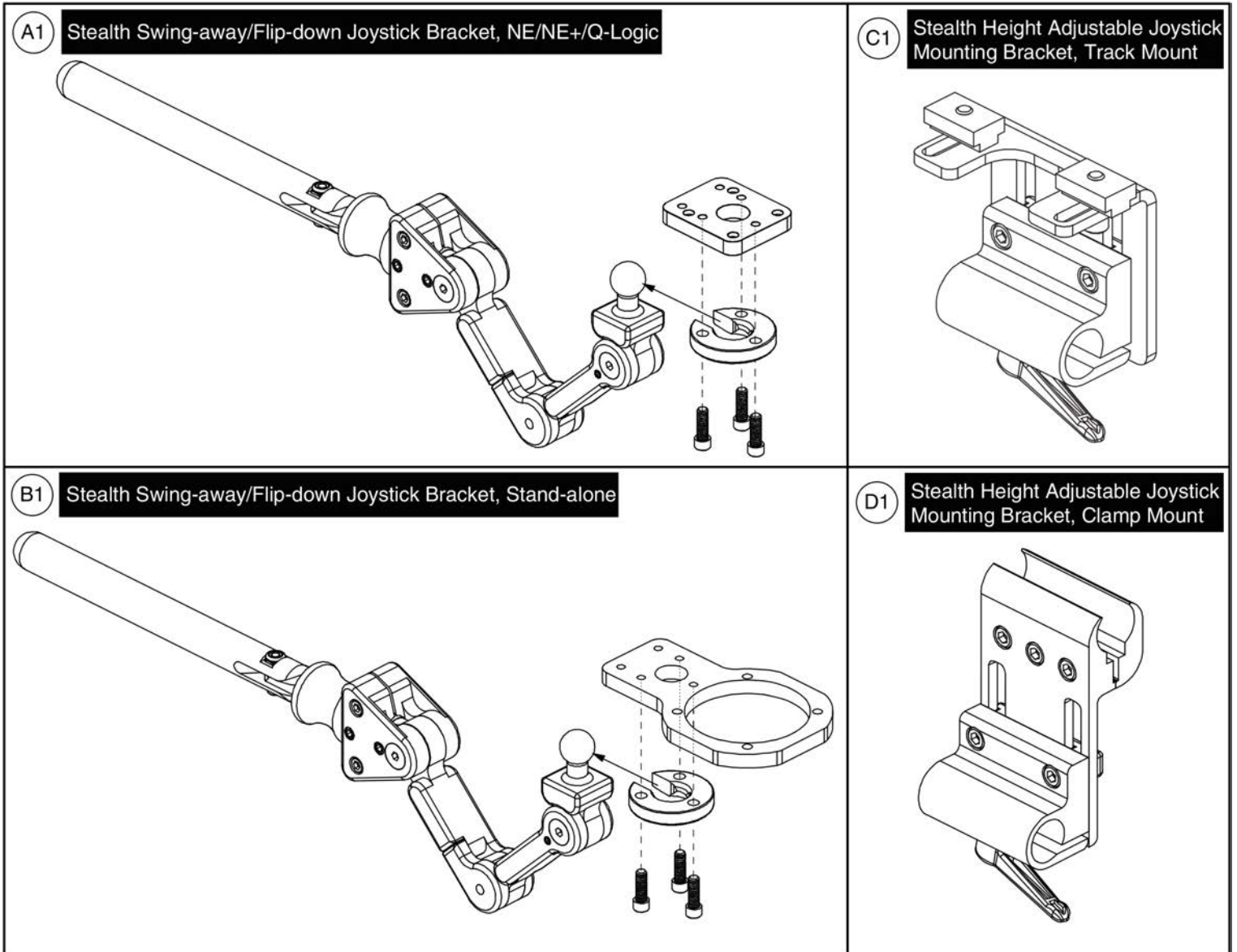
Item	Part No.	Name	Qty
A1	ACC124132	MULTI-AXIS JOYSTICK ASSEMBLY	1
B1	MEC124133	MULTI-AXIS JOYSTICK PLATE WELDMENT	1
C1	SCRPPH1097	SCREW,PPH,BLACK ZINC,M5-.8 X 12MM	1
D1	SCRPPH1384	SCREW,PPH,BLACK ZINC,M5-.8 X 20MM	1
E1	SCRPPH1036	SCREW, PAN HEAD, TYPE H, M4X0.7 X 8, FT, ISO 7045, CL 4.8, BZ	1
F1	DWR1111C002	SPACER,CURTIS NE/NE PLUS MOUNT BRACKET,C-1111-002	2
G1	DWR1010B089	SPACER,FLIGHT MOUNT BRACKET,B-1010-089	2
H1	MEC138180	STAND ALONE WELDMENT	1

15.3. Retract 4 Swing-away Joystick Bracket



Item	Part No.	Name	Qty
A1	MEC138860	SWING AWAY JOYSTICK MOUNT,ASSY,RETRACT 4,Q-LOGIC	1
B1	MEC138876	SWING AWAY JOYSTICK MOUNT,ASSY,RETRACT 4,NE/NE PLUS	1
C1	SCRSFH1005	SCREW,SHFH,BLACK ZINC,M5-.8 X 14MM	4
D1	SCRSHFH1053	SCREW,SHFH,BLACK ZINC,M5-.8 X 20MM	4

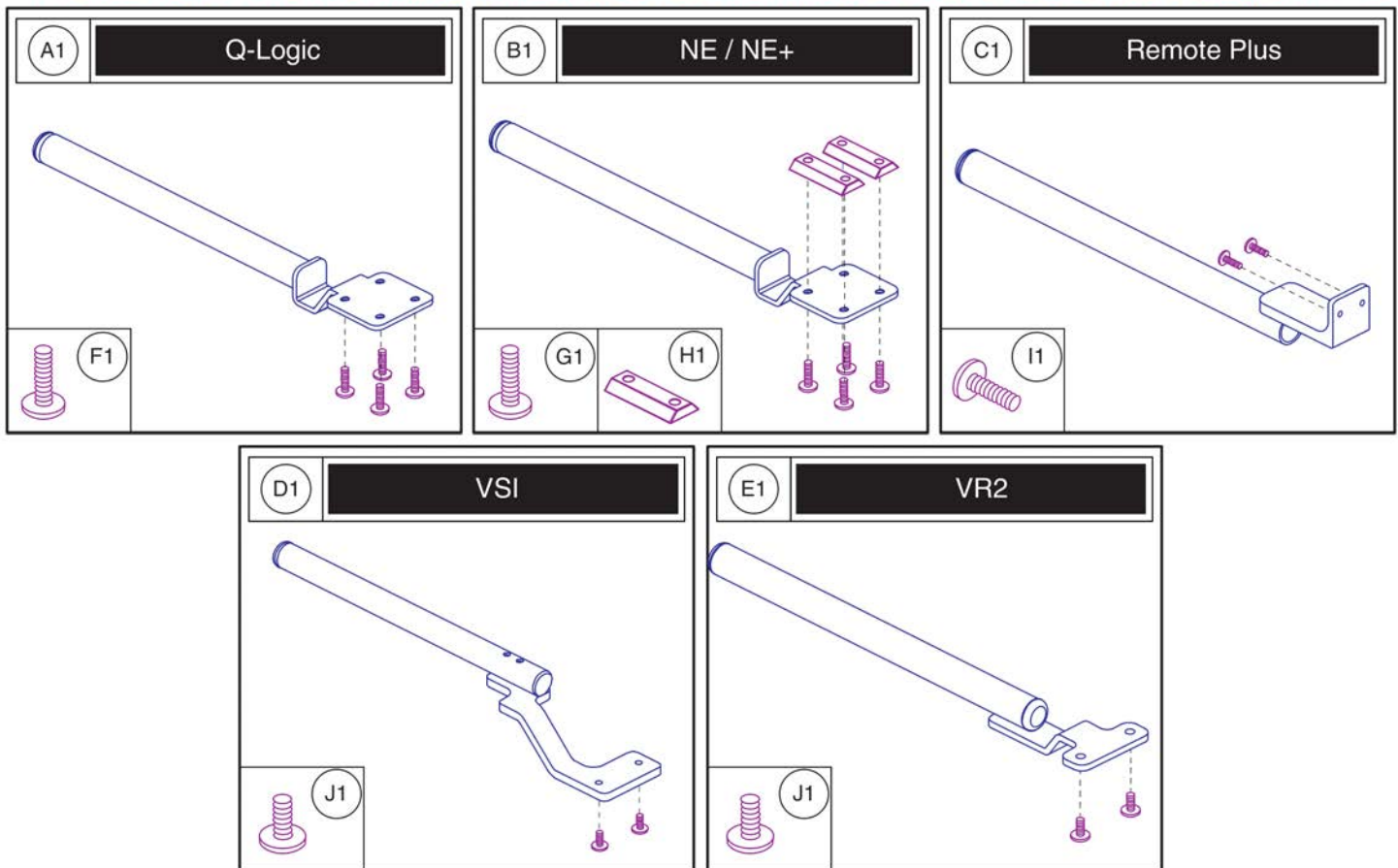
15.4. Stealth Swing-away / Flip-down Joystick Bracket



Item	Part No.	Name	Qty
A1	ST-TWBM480QL-Q	JOYSTICK MOUNTING BRACKET,ASSY,SWING AWAY/FLIP DOWN,NE/NE PLUS/Q-LOGIC,W/MOUNTING HARDWARE	1
B1	ST-TWBM480CJ-Q	JOYSTICK MOUNTING BRACKET,ASSY,SWING AWAY/FLIP DOWN,STANDALONE,W/MOUNTING HARDWARE	1
C1	ST-ARM250T-Q	JOYSTICK MOUNT,ASSY,HEIGHT ADJUSTABLE,W/TRACK HARDWARE	1
D1	ST-ARM250C-Q	JOYSTICK MOUNT,ASSY,HEIGHT ADJUSTABLE,W/CLAMP HARDWARE	1

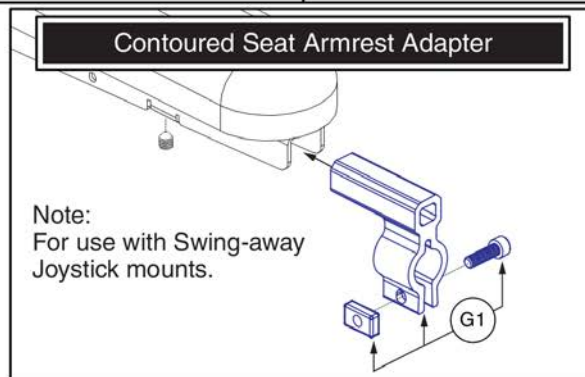
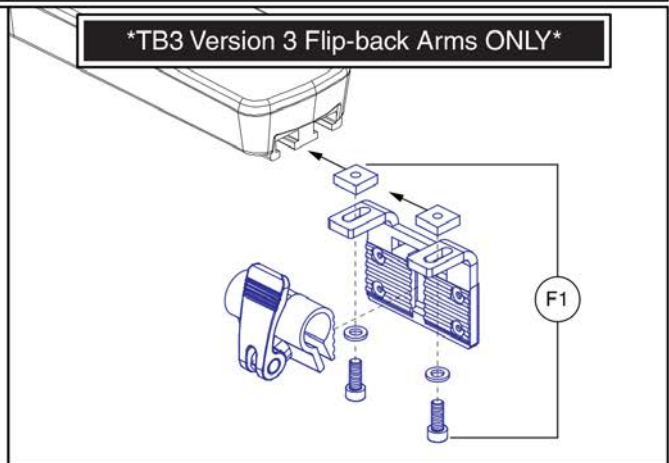
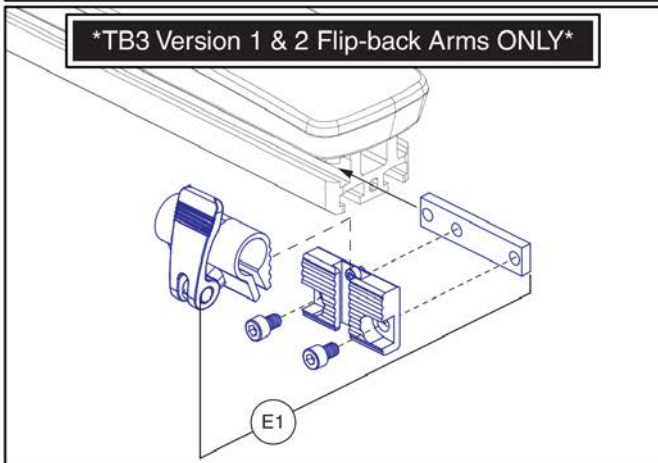
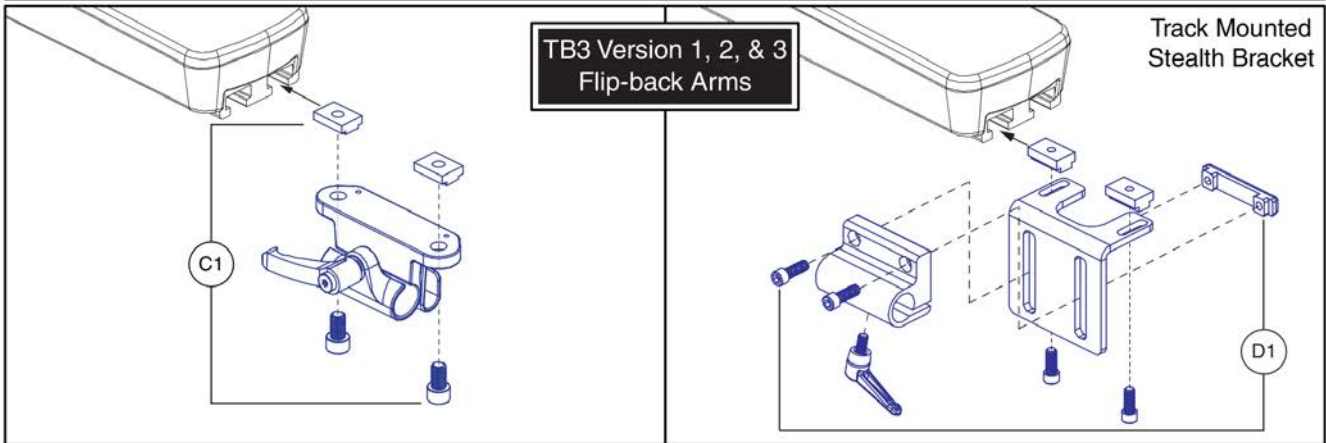
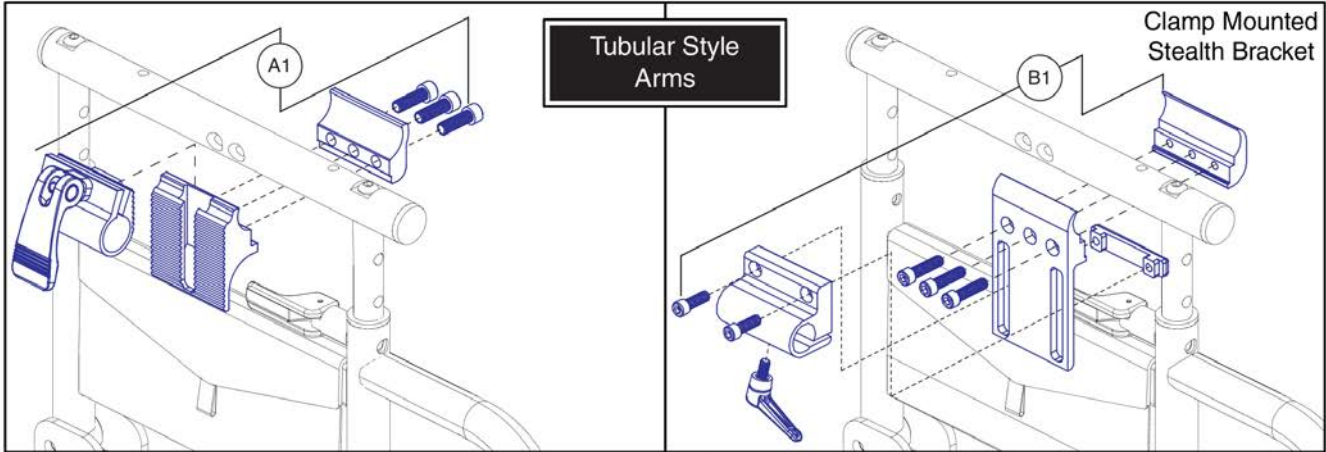
15.5. Fixed Inline Joystick Brackets

Please note: The mounting hardware shown is included with the top level assy's A1 - E1.



Item	Part No.	Name	Qty
A1	FRMASMB10617	JOYSTICK MOUNTING BRACKET,ASSY,CURTIS,INLINE	1
B1	FRMASMB12744	JOYSTICK MOUNTING BRACKET,ASSY,NE/NE PLUS CONTROLLER,INLINE	1
C1	FRMASMB2066	FIXED INLINE JOYSTICK MOUNT,ASSY,REMOTE PLUS	1
D1	FRMASMB4767	JOYSTICK MOUNTING BRACKET,ASSY,VSI CONTROLLER,INLINERIGHT,C-1010-193	1
E1	FRMASMB9532	JOYSTICK MOUNTING BRACKET,ASSY,GC/VR2 CONTROLLER,INLINE	1
F1	SCRSHFH1015	SCREW,SHFH,BLACK ZINC,M5-.8 X 12MM,GRADE 10.9	4
G1	SCRSHFH1053	SCREW,SHFH,BLACK ZINC,M5-.8 X 20MM	4
H1	DWR1111C002	SPACER,CURTIS NE/NE PLUS MOUNT BRACKET,C-1111-002	2
I1	SCRPPH1006	SCREW,PPH,BLACK ZINC,8-32 X 0.500",GRADE 2	2
J1	SCRPPH1122	SCREW,PPH,BLACK ZINC,M5-.8 X 18MM	2

15.6. Joystick Bracket Receivers



Joystick Receiver Mounts, Quantum



Item	Part No.	Name	Qty
A1	FRMASMB16062	JOYSTICK RECEIVER MOUNT,ASSY,UNIVERSAL,ADJUSTABLE BLOCK,D-1000-313	1
B1	ST-ARM250C-Q	JOYSTICK MOUNT,ASSY,HEIGHT ADJUSTABLE,W/CLAMP HARDWARE	1
C1	MEC1809294	JOYSTICK RECEIVER MOUNT,ASSY,W/MOUNTING HARDWARE,ADJUSTABLE HANDLE	1
D1	ST-ARM250T-Q	JOYSTICK MOUNT,ASSY,HEIGHT ADJUSTABLE,W/TRACK HARDWARE	1
E1	ACC123525	JOYSTICK RECEIVER MOUNT,ASSY,W/ACCESSORY BLOCK,TRUBALANCE 3	1
F1	ACC1806853	JOYSTICK RECEIVER MOUNT,ASSY,W/MOUNTING HARDWARE,TRU-BALANCE 3 ARMREST	1
G1	MEC146133	ARMREST ADAPTER ASSEMBLY	1

16. Owner's & Decal Packages



Decal Package

Decal Package, 4Front



Item	Part No.	Name	Qty
N/A	DWR1235L515	DECAL,WARNING,BATTERY WARNINGS,L-1235-515	1
N/A	DWR1235L521	DECAL,WARNING,CONTROLLER CORD PLACEMENT,L-1235-521	1
N/A	DEC8120018	DECAL,NOT RATED FOR OCCUPIED TRANSPORT,POWER CHAIR	2
N/A	LAB1703680	DECAL,4FRONT AESTHETIC	2
N/A	LAB1703664	DECAL,4FRONT BATTERY WIRING DIAGRAM	1
N/A	DWR1235L551	DECAL,ISO,"AGM/GEL CELL/DOT CERTIFIED",L-1235-551	1
N/A	DWR1235L116	DECAL,ICON,TIE DOWN HOOK,L-1235-116	4
N/A	DWR1234L957	DECAL,WARNING,DEFLATE TIRE COMPLETELY,L-1234-957	2
N/A	DWR1235L516	DECAL,WARNING,DEFLATE TIRE COMPLETELY,FRENCH,L-1235-516	2
N/A	DWR1234L135	DECAL,ICON,DO NOT ADJUST ANTI-TIP,0.75" DIAMETER,L-1234-135	2

16. Owner's & Decal Packages






Owner's Package

Owner's Package, 4Front



Item	Part No.	Name	Qty
N/A	INFMANU3992	MANUAL,CONSUMER SAFETY GUIDE,POWERCHAIR	1
N/A	INFMANU4864	MANUAL,OWNER'S,Q4FRONT,ENGLISH	1
N/A	INFINFB3619	MANUAL,PRODUCT INSERT,SPECIFICATIONS,Q4FRONT,ENGLISH	1
N/A	INFINFB2779	MANUAL,PRODUCT INSERT SHEET,WARRANTY,DOMESTIC QUANTUM POWER CHAIRS,ENGLISH	1
N/A	INFINFB1137	MANUAL,WARRANTY CARD,ENGLISH	1

Current Quantum Colors as of 9-1-2019																		
Color Name	Color Name Variant	Part Suffix	Color Code	Edge 3 Stretto	Edge 3	Edge 2.0	Edge 2.0X	Edge	Edge X	4Front	Edge Z	Edge HD	R44 Rival	J4 / Q4	J6	1450	Kozmo	
Back in Black	Black, Onyx Black Metallic Black	PBK1	PPW-BLK-01	X	X	X	X	X	X	X	X	X	X	X	X			
Night Train		PBK3	PPW-BLK-03	X	X	X	X			X	X	X	X					
Grey Street		PSL3	PPW-SIL-03	X	X	X	X			X	X	X	X					
Silver Bullet		PSL7	PPW-SIL-07			X	X			X	X	X	X					
White Satin	Pearl White	PWT2	PPW-WHT-02	X	X	X	X			X	X	X	X				X	
Red Corvette	Candy Apple Red, Ruby Red	PRD1	PPW-RED-01	X	X	X	X	X	X	X	X	X	X	X	X	X	X	
Cherry Bomb		PRD4	PPW-RED-04	X	X					X								
Pretty in Pink	Rose Quartz	PPK3	PPW-PNK-03	X	X	X	X			X	X	X	X	X	X	X	X	
Raspberry Beret		PPK4	PPW-PNK-04	X	X					X								
Sugar Plum		PPR7	PPW-PRP-07	X	X					X								
Deep Purple		PPR5	PPW-PRP-05	X	X	X	X			X	X	X	X					
Midnight Blue		PBU10	PPW-BLU-10	X	X	X	X			X	X	X	X					
Electric Blue	True Blue, Sapphire Blue	PBU9	PPW-BLU-09	X	X	X	X	X	X	X	X	X	X	X	X	X	X	
Blue Jean		PBU11	PPW-BLU-11	X	X					X								
Green Machine		PGN11	PPW-GRN-11	X	X	X	X			X	X	X	X					
Military Green		PGN8	PPW-GRN-08	X	X					X	X	X	X					
Lime Light		PGN7	PPW-GRN-07			X	X			X	X	X	X					
Yellow Blaze	Orion Yellow, Citrine Yellow	PYL3	PPW-YEL-03			X	X	X	X	X	X	X	X			X	X	
Lemon Crush		PYL4	PPW-YEL-04	X	X	X	X			X								
Orange Crush	Amber Orange	POR6	PPW-ORN-06			X	X			X	X	X	X				X	
Evolution Orange		POR7	PPW-ORN-07	X	X	X	X			X	X	X	X	X	X	X		
Carbon Fiber		WCB1	PWT-CBN-01		X	X				X								
Digital Camo		WCM7	PWT-CMO-07		X	X				X								
Faded Glory		WFL2	PWT-FLG-02		X	X				X								

Prior Generation Quantum Colors as of 9-1-2019																		
Color Name	Color Name Variant	Part Suffix	Color Code	Edge 3 Stretto	Edge 3	Edge 2.0	Edge 2.0X	Edge	Edge X	4Front	Edge Z	Edge HD	R44 Rival	J4 / Q4	J6	1450	Kozmo	
Pewter Grey		PGY1	PPW-GRY-01						X				X					
Silver		PSL1	PPW-SIL-01					X	X			X	X			X		
Cardinal Red	Rex Red	PRD2	PPW-RED-02					X					X					
Pearl Pink	Prehistoric Pink	PPK1	PPW-PNK-01					X	X			X	X		X	X		
Violet	Primitive Purple	PPR2	PPW-PRP-02					X					X					
Sapphire Blue		PPR4	PPW-PRP-04					X	X			X	X			X		
Mariner Blue	Bronto Blue	PBU2	PPW-BLU-02					X					X					
Graphite Blue		PBU3	PPW-BLU-03					X					X					
Viper Blue		PBU1	PPW-BLU-01					X	X			X	X		X	X		
Spring Green	Gator Green	PGN3	PPW-GRN-03					X					X					
Emerald Green		PGN5	PPW-GRN-05					X	X			X	X			X		
Kelly Green		PGN6	PPW-GRN-06					X					X		X			
Solar Yellow		PYL1	PPW-YEL-01					X					X					
Champagne	Saber Yellow	PCH1	PPW-CHA-01					X	X			X	X			X		
Tangerine		POR2	PPW-ORN-02					X					X					
Sunburst Orange		POR1	PPW-ORN-01					X	X			X	X		X	X		

Appendix A:Pages Index

8 Amp UPG Charger Assy, AGM / GEL Selectable 71

8 amp CTE Charger, Australia 69

Aftermarket Joystick Knobs 19

Anti-tip Assembly, 4Front 3

Base Mounted Light Assemblies, 4Front 35

Caster Arm Shroud Cover Assembly, 4Front 41

Decal Package, 4Front 91

Drive Motor & Motor Mount Assy w/ Hub, 4Front 9

Fender Assembly (Units w/Base Mounted Lights or No Lights), 4Front . 45

Fender Assembly with Lights, 4Front 47

Fixed Joystick Mounts, Quantum Joysticks 87

Flat-free Drive Wheel, 4 Spoke Black Rim/Black "Knobby" Tire 59

Flat-free Drive Wheel, 5 Spoke Black Rim / Black Tire, 4Front 53

Flat-free Drive Wheel, 5 Spoke, Black Rim / Black "Knobby" Tire, 14" x 4"
61

Front Door Shroud and Battery Access Bracket Assemblies, 4Front 37

Group 24, 75AH, MK, AGM - BAT121347 63

Group 34 Battery, Interceptor 67

Group 34 Flush Mount Terminal Battery 65

Joystick Receiver Mounts, Quantum 89

Main Frame Assembly, 4Front 1

Multi-Axis Joystick Bracket Components, Version 2 81

Owner's Package, 4Front 93

Painted Wheel Inserts 55

Pneumatic Drive Wheel, 4 Spoke Black Rim/Black "Knobby" Tire 57

Pneumatic Drive Wheel, 5 Spoke Black Rim / Black Tire, 4Front 51

Q-Logic 2 & 3 Joystick Shrouds 23

Q-Logic 2 & 3 Joystick Bottom Housing w/Bus Cable 25

Q-Logic 3 Electronics Assy Matrix - 5mph (No Anti-tip), 4Front 29

Q-Logic 3 Electronics Assy Matrix - 6mph, 4Front 27

Q-Logic 3 Joystick Assy's 11

Q-Logic 3 Modules, Harnessing, & Mounting Hardware, 4Front 31

Q-Logic 3 SD Cards for 4Front 17, 33

Q-Logic 3 Stand Alone Joystick Assy 15

Q-Logic 3e Joystick Assy's - 4Front 13

Q-Logic Joystick Knobs 21

Quantum Color Reference Chart 95

Rear Caster Arm, Wheel, Sensor Assembly, 4Front 7

Rear Shroud Assembly with and without Lighting, 4Front 39

Retract 4 Swing-away Joystick Bracket for Curtis Joysticks 83

Stealth Swing-away / Flip Down Joystick Brackets & Mounts 85

Suspension Spring Packages, 4Front 5

Swing-away & Multi-axis Mount Matrix, Captain Seat, Version 2 77

Swing-away & Multi-axis Mount Matrix, Rehab Seat, Version 2 75

Swing-away Joystick Bracket & Components, Version 3 73

Swing-away Joystick Bracket Components, Version 2 79

Top Cover Shroud Assembly, 4Front 43

Trapeze Bars & Captain's Seat Mount Assy, 4Front 49

Appendix B:Parts Index

ACC123525	90	ACC1908439	74
ACC124132	82	ACC1908440	74
ACC124921	80	ACCASMB1856	20
ACC131216	76	ACCASMB1857	20
ACC131586	80	ACCASMB1858	20
ACC142524	76	ACCASMB1859	20
ACC142525	76	ACCASMB1860	20
ACC142526	76	ACCASMB1861	20
ACC142527	76	ACCASMB1862	20
ACC142528	76	BAT121347	64
ACC142529	76	BAT1708797-P	68
ACC142530	76	BATGEL1006	66
ACC142531	76	BRK8110003	50
ACC142532	76	CTL143976	12
ACC142533	76	CTL143977	12
ACC142534	76	CTL143978	32
ACC142738	76	CTL143980	16
ACC142739	76	CTL143986	36
ACC142740	76	DEC8120018	92
ACC142742	76	DGN124307	24, 22
ACC142743	76	DGN124308	22
ACC142745	76	DGN124309	12, 22
ACC142746	76	DGN124336-PBK1	24, 24
ACC142747	76	DGN124336-PBK3	24
ACC142748	76	DGN124336-PBU1	24
ACC142749	76	DGN124336-PBU10	24
ACC142750	76	DGN124336-PBU11	24
ACC142751	76	DGN124336-PBU9	24, 24
ACC142752	76	DGN124336-PGN11	24
ACC148356	78	DGN124336-PGN5	24
ACC148357	78	DGN124336-PGN7	24
ACC148358	78	DGN124336-PGN8	24
ACC148359	78	DGN124336-POR4	24
ACC148360	78	DGN124336-POR6	24
ACC148361	78	DGN124336-POR7	24
ACC148362	78	DGN124336-PPK1	24
ACC148363	78	DGN124336-PPK3	24
ACC148364	78	DGN124336-PPK4	24
ACC148365	78	DGN124336-PPR4	24
ACC148366	78	DGN124336-PPR5	24
ACC148367	78	DGN124336-PPR7	24
ACC148368	78	DGN124336-PRD1	24, 24
ACC148369	78	DGN124336-PRD4	24
ACC148370	78	DGN124336-PSL1	24
ACC148371	78	DGN124336-PSL3	24
ACC1806853	90	DGN124336-PSL7	24
ACC1908434	74	DGN124336-PWH2	24
ACC1908435	74	DGN124336-PYL3	24, 24
ACC1908437	74	DGN124336-PYL4	24
ACC1908438	74	DGN124336-WCB1	24
		DGN124336-WCM7	24

DGN124336-WFL2	24	DGN1704329-PYL3	42
DGN154742	12, 16, 22	DGN1704330-PBK1	38
DGN1611517	40	DGN1704330-PBK3	38
DGN1611520	36, 40	DGN1704330-PBU10	38
DGN1611521	2	DGN1704330-PBU9	38
DGN1611522	2	DGN1704330-PGN7	38
DGN164245-PBK1	56	DGN1704330-PGN8	38
DGN164245-PBK3	56	DGN1704330-POR6	38
DGN164245-PBU10	56	DGN1704330-PPK3	38
DGN164245-PBU11	56	DGN1704330-PPR5	38
DGN164245-PBU9	56	DGN1704330-PRD1	38
DGN164245-PGN11	56	DGN1704330-PSL3	38
DGN164245-PGN7	56	DGN1704330-PSL7	38
DGN164245-PGN8	56	DGN1704330-PWT2	38
DGN164245-POR6	56	DGN1704330-PYL3	38
DGN164245-POR7	56	DGN1704331-PBK1	40
DGN164245-PPK3	56	DGN1704331-PBK3	40
DGN164245-PPK4	56	DGN1704331-PBU10	40
DGN164245-PPR5	56	DGN1704331-PBU9	40
DGN164245-PPR7	56	DGN1704331-PGN7	40
DGN164245-PRD1	56	DGN1704331-PGN8	40
DGN164245-PRD4	56	DGN1704331-POR6	40
DGN164245-PSL3	56	DGN1704331-PPK3	40
DGN164245-PSL7	56	DGN1704331-PPR5	40
DGN164245-PWH2	56	DGN1704331-PRD1	40
DGN164245-PYL3	56	DGN1704331-PSL3	40
DGN164245-PYL4	56	DGN1704331-PSL7	40
DGN164245-WCB1	56	DGN1704331-PWT2	40
DGN164245-WCM7	56	DGN1704331-PYL3	40
DGN164245-WFL2	56	DWR1000H174	70, 72
DGN168154	8, 42	DWR1005B049	52, 54, 62
DGN168155	8	DWR1010B089	80, 82
DGN169072	46	DWR1111C002	74, 80, 82, 88
DGN169073	46	DWR1234L135	92
DGN169848	44	DWR1234L957	92
DGN1700033	48	DWR1235L116	92
DGN1700203	48	DWR1235L515	92
DGN1700204	48	DWR1235L516	92
DGN1704329-PBK1	42	DWR1235L520	70
DGN1704329-PBK3	42	DWR1235L521	92
DGN1704329-PBU10	42	DWR1235L551	92
DGN1704329-PBU9	42	DWR1265H021	32
DGN1704329-PGN7	42	DWR1265H027	32
DGN1704329-PGN8	42	DWR1361H038	32
DGN1704329-POR6	42	ELE124313	26
DGN1704329-PPK3	42	ELE144006	12, 26
DGN1704329-PPR5	42	ELE160183	48
DGN1704329-PRD1	42	ELE1611675	32
DGN1704329-PSL3	42	ELE1611815	32
DGN1704329-PSL7	42	ELE1611828	36
DGN1704329-PWT2	42	ELE169826	32

ELE1700136	28	HDW120048	50
ELE1700137	28	HDW138262	8
ELE1701559	36	HDW146546	10
ELE1701560	36	HDW147826	10
ELE1703244	28	HDW147827	10
ELE1704197	28	HDW147828	10
ELE1704206	28	HDW147829	10
ELE1704379	28	HDW155879	32
ELE1704381	28	HDW1700456	50
ELE1704382	28	HDW1703195	8
ELE1704383	28	INFINFB1137	94
ELE1708767	30	INFINFB2779	94
ELE1708768	30	INFINFB3619	94
ELE1709086	30	INFMANU3992	94
ELE1709087	30	INFMANU4864	94
ELE1709088	30	KIT152919	22
ELE1709089	30	LAB1703664	92
ELE1709090	30	LAB1703680	92
ELE1709091	30	MEC124133	82
ELE1709092	30	MEC138180	82
ELE1709864	32	MEC138860	84
ELE1712717	18, 32, 34	MEC138876	84
ELE1712722	18, 32, 34	MEC142426	80
ELE1712724	18, 32, 34	MEC145417	10, 52, 54, 62
ELE1712725	18, 32, 34	MEC145470	58, 60
ELE1803440	72	MEC146133	74, 80, 90
ELE2001169	14	MEC153354	32
ELE2001170	14	MEC154602	32
ELE2001171	14	MEC160250	10
ELE2001172	14	MEC160251	10
ELEASMB5672	70	MEC1610056	52
ELECBRK1020	32	MEC166095	10
ELECHG1017	70	MEC167317	32, 36, 48
FRMASMB10454	16	MEC168447	10
FRMASMB10617	12, 14, 88	MEC169383	38
FRMASMB11156	16	MEC1700180	2
FRMASMB12744	88	MEC1700199-A	8
FRMASMB16062	90	MEC1700200-A	8
FRMASMB2066	88	MEC1700444	8, 10
FRMASMB4767	88	MEC1700547	48
FRMASMB8691	10	MEC1701456	6
FRMASMB9532	88	MEC1701457	6
HAR143994	36	MEC1705019	4
HAR144001	16	MEC1705020	4
HAR144003	16	MEC1705357	6
HAR144004	32	MEC1705557	50
HAR144005	32	MEC1706634	50
HARUSHD1065	72	MEC1707412	6
HARUSHD2041	72	MEC1712217	80
HARUSHD2160	72	MEC1712220	80
HDW120030	10	MEC1809294	90

MEC1810495	6	WHL147599	58
MEC1810496	6	WHL147601	60
MEC1900678	6	WHL1703586	52, 54
MEC1901294	6	WHL1703588	54
MEC1904106	6	WHL1703592	8
MOT1703683-01	10	WHL1704507	52
MOT1703684-01	10	WHL1903913	62
MOT1703685-01	10	WHLASMB1523	4
MOT1703686-01	10		
NUTACRN1005	58, 60		
NUTNYLK1011	4, 8		
PLSINDV1252	22		
PLSKNCP1056	40		
PLSKNCP1057	20		
PLSKNCP1058	20		
PLSTIE1001	32		
PLSTIE1004	32		
SCR8110001	32		
SCRASBH1241	4		
SCRHHCS1667	66		
SCRPPH1006	88		
SCRPPH1036	2, 8, 40, 42, 44, 46, 48, 80, 82		
SCRPPH1044	32, 36, 48		
SCRPPH1097	82		
SCRPPH1122	88		
SCRPPH1153	36		
SCRPPH1279	74, 80		
SCRPPH1342	32		
SCRPPH1382	32		
SCRPPH1384	74, 74, 80, 82		
SCRSFH1005	84		
SCRSHCS1092	32		
SCRSHFH1015	88		
SCRSHFH1053	84, 88		
ST-ARM250C-Q	86, 90		
ST-ARM250T-Q	86, 90		
ST-TWBM480CJ-Q	86		
ST-TWBM480QL-Q	86		
STP8120001	2		
TIR8110017	58		
TIR8110019	60, 62		
TIR8110024	54		
TIR8110026	52		
TUBSTND1002	52		
TUBSTND1043	58		
TWRASMB7120001	50		
TWRASMB7120002	50		
TWRASMB7120003	50		
WASLOCK1084	66		
WASMETR1031	50		
WASNEOP1003	40		

Illustrated Parts Breakdown

USA - Quantum Rehab

401 York Avenue
Duryea, Pa 18642
www.quantumrehab.com

USA - Pride Mobility Products Corp.

182 Susquehanna Avenue
Exeter, Pa 18643
www.pridemobility.com

Canada

5096 South Service Road
Beamsville, Ontario L0R 1B3
www.pridemobility.ca
www.quantumrehab.com

Australia

20-24 Apollo Drive
Hallam, Victoria 3803
www.pridemobility.com.au
www.quantumrehab.com.au

New Zealand

38 Lansford Crescent
Avondale, Auckland 0600
www.pridemobility.co.nz

UK

32 Wedgwood Road
Bicester, Oxfordshire OX26 4UL
www.pride-mobility.co.uk
www.quantumrehab.co.uk

Netherlands

(Authorised EU Representative)

De Zwaan 3
1601 MS Enkhuizen
www.pridemobility.eu
www.quantumrehab.eu

Italy

Via del Progresso, ang. Via del Lavoro
Loc. Prato della Corte
00065 Fiano Romano (RM)
www.pride-italia.it
www.quantumrehab-italia.it

France

26 Rue Monseigneur Ancel
69800 Saint-Priest
www.pridemobility.fr
www.quantumrehab.fr

Spain

Calle Las Minas Número 67
Polígono Industrial Urtinsa II, de Alcorcón
28923 Madrid

Germany

Hövelrieger Str. 28
33161 Hövelhof
www.pridemobility.de

China

Room 508, Building #4
TianNa Business Zone
No. 500 Jianyun Road
Pudong New Area
Shanghai 201318

