

*Otto Bock*<sup>®</sup>

QUALITY FOR LIFE



# **Skippi**

**Ersatzteilkatalog / Spare Parts Catalog**

# Table of Contents

## Powerbase

### Chassis

Base frame, pre-assembled.....	58
Set of stickers .....	58

### Drive Unit

Drive unit, complete, with wheel cover .....	59
Anti-tipper wheel with mounting accessories .....	60
Skater roller with mounting accessories.....	60
Wheel cover .....	60

### Drive Unit

Drive unit 6 km/h.....	61
Spare carbon brushes .....	61
Motor mounting kit.....	62

### Battery

Battery pack.....	63
Fuse .....	63
Battery cable .....	64
Contact strip .....	64

### Battery Charger

Battery charger .....	65
Mains adapter for Euro plug / UK .....	65

### Caster

Caster fork .....	66
PU caster 8" .....	66

### Drive Wheel

Drive wheel 12" .....	67
Cap screw set for drive wheel attachment.....	67

### Lighting

Lighting according to German Motor Vehicle Safety Standards (StVZO) .....	68
Lamps/Sofittes .....	68

## Powerchair

### Standard Seat

Standard seat .....	70
Bearing plate.....	70
Mounting accessories for back.....	71
Mechanical back.....	72
Back upholstery, adaptable.....	72
Seat frame with loop strips .....	73
Variable seat plate with loop strips .....	73
Rear seat angle.....	73
Side panel attachment device.....	74
Mounting accessories for seat .....	74
Seat cushion .....	75

### Seating System Options

Push handles, height adjustable .....	76
Back extension .....	76

Mounting accessories for headrest attachment.....	77
Lap belt with buckle.....	77
Trapezoid seating shell adapter.....	78
<b>Armrest</b>	
Armrest with clothing protector.....	79
Lateral pad, detachable.....	79
<b>Footrests</b>	
Individual footrests with aluminium footplates.....	80
Single-panel footrest with aluminium footplate.....	82
Individual footrests with aluminium footplates for short lower leg length.....	84
Single-panel footrest with aluminium footplate for short lower leg length.....	86
Mechanically elevating footrests.....	89
Mounting Accessories for footrest bar for individual footrest.....	81
Mounting Accessories for footrest bar for individual footrest for short lower leg length.....	85
Mounting Accessories for footrest bar for single-panel footrest, left / right.....	83
Mounting Accessories for footrest bar for single-panel footrest for short lower leg length, right / left.....	87, 88
Mounting Accessories for footrest bar for elevating footrest.....	81
Footrest receiver.....	88
<b>Back Angle Adjustment</b>	
Electric back angle adjustment.....	90
Adjustment motor.....	90
Electric back.....	91
Back upholstery, adaptable, height adjustable.....	91
<b>Seat Tilt</b>	
Mechanical seat tilt.....	92
Gas strut.....	92
Electric seat tilt.....	92
Adjustment motor.....	92
<b>Control System</b>	
<b>Control Unit / Control Panel</b>	
Control panel "enAble 40".....	94
Drive control "enAble 40".....	94
<b>Mid-tray Control</b>	
Mid-tray control, swing-away to the side.....	95
<b>Attendant Control</b>	
Attendant control "enAble 40".....	96
<b>Control Panel Holder</b>	
Plug-on control panel holder, standard.....	97
Control panel holder, swing-away.....	97
Protective bow for control panel.....	97
<b>Joystick Accessories</b>	
Tetra fork.....	98
Stick S80.....	98
Soft ball.....	98
Golf ball control stick.....	98

# Table of Contents

## Programming Accessories

Hand programming device "enAble 40" .....	99
Programming software "enAble 40", includes cable.....	99
Adapter cable USB / serial for programming adapter .....	100

## Accessories

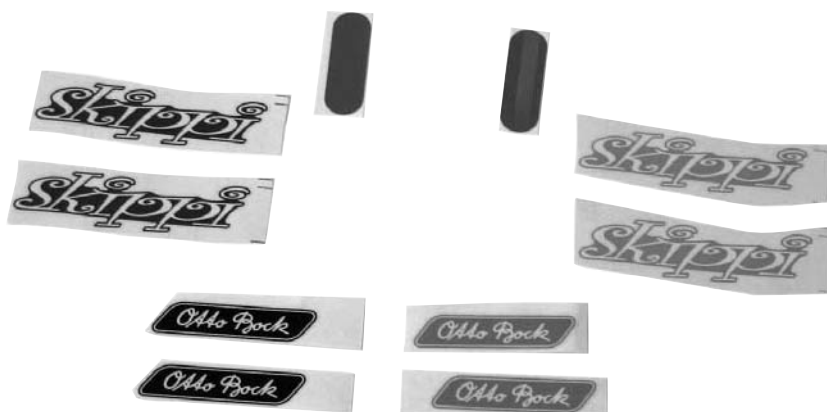
Additional lighting .....	102
Manual horn "kangaroo" .....	102
Tray, swing-away to the side .....	103
Pennant.....	103
Bumper bar, detachable .....	104
Tool kit with tyre pump .....	104

# ***Powerbase***

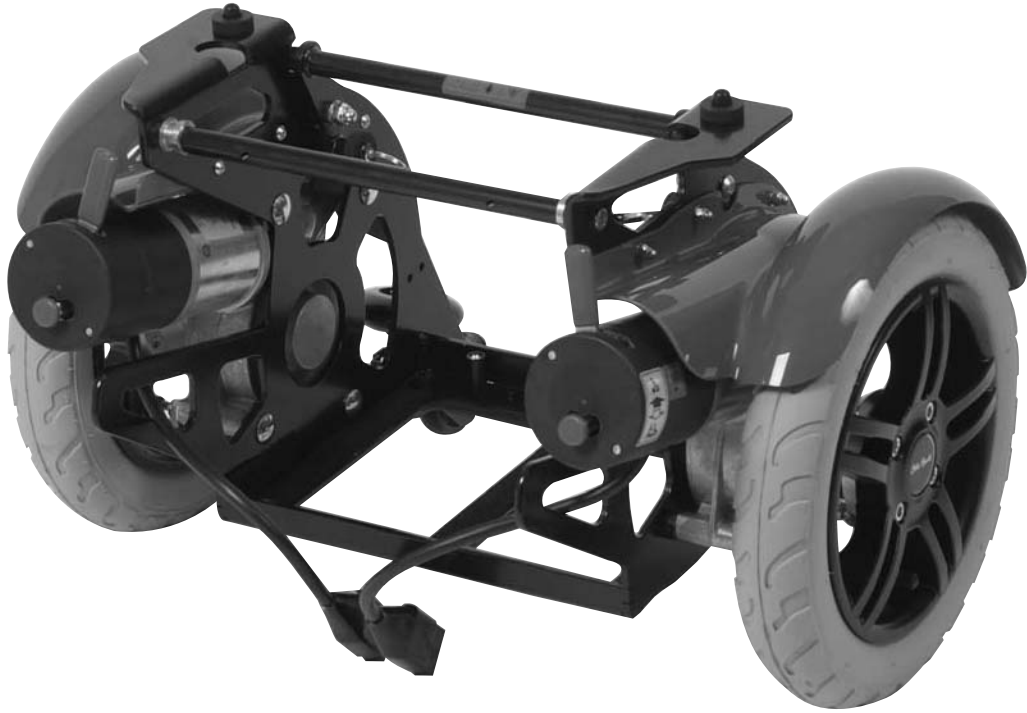


Item	Art. no.	Description	Qty. / Unit
	491A55=SV005	Base frame, pre-assembled*	1 pc.

\* Please specify frame colour:



Item	Art. no.	Description	Qty. / Unit
	491A55=ST006	Set of stickers	1 set



Item	Art. no.	Description	Qty. / Unit
	493T55=SK015	Drive unit, complete, with wheel cover*	1 pc.

\* Please specify the colour of the wheel cover and the kind of tyres you use:



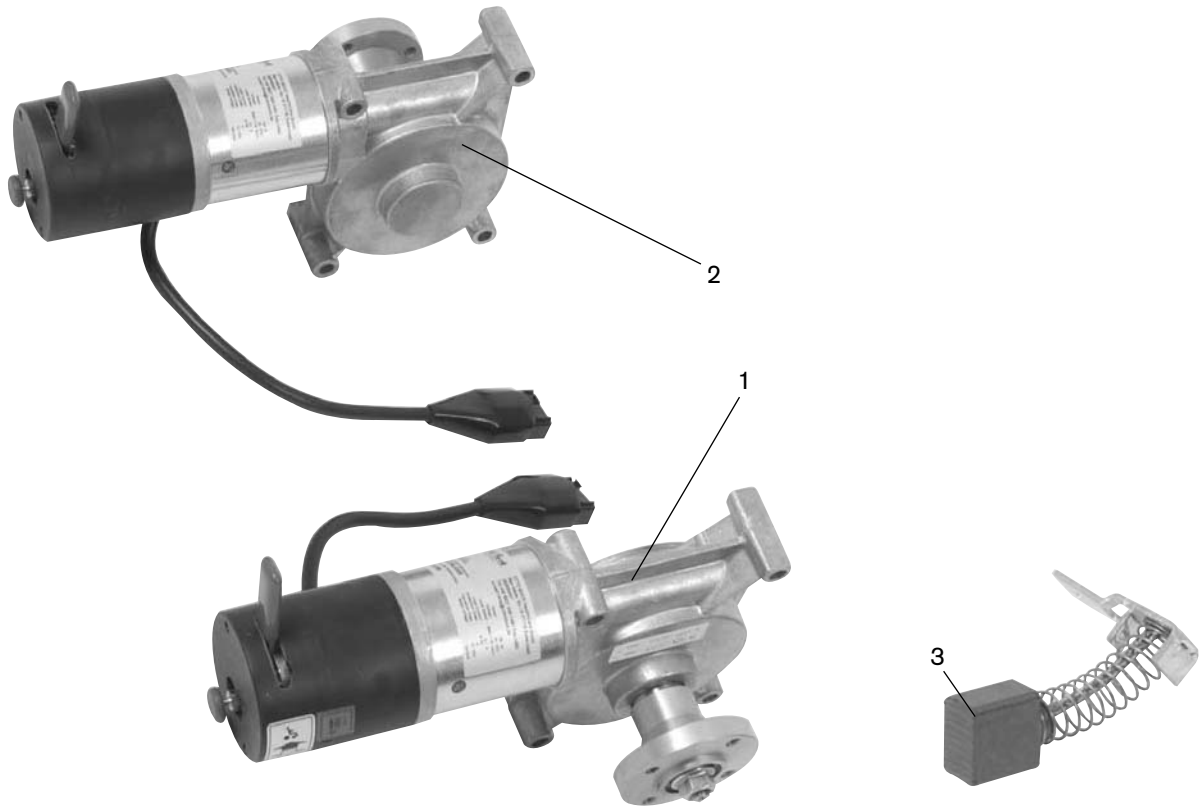
Item	Art. no.	Description	Qty. / Unit
1	491A46=ST021	Anti-tipper wheel with mounting accessories*	2 pcs
2	491A55=ST009	Skater roller with mounting accessories*	2 pcs

\* Please order 2 pieces



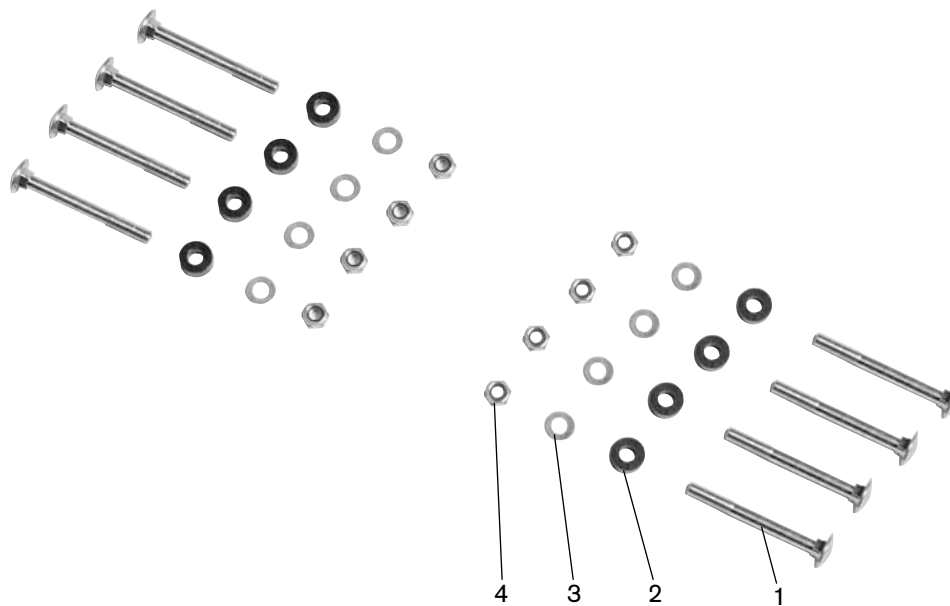
Item	Art. no.	Description	Qty. / Unit
	491G55=SK011	Wheel cover, yellow, compl.	1 set
	491G55=SK012	Wheel cover, red, compl.	1 set





Item	Art. no.	Description	Qty. / Unit
1	493T55=LK005	Drive unit 6 km/h, left, with brake release lever (includes wheel flange)	1 pc.
2	493T55=RK005	Drive unit 6 km/h, right, with brake release lever (includes wheel flange)	1 pc.
3	493T32=ST009	Spare carbon brushes*	4 pcs

\* Please order 4 pieces

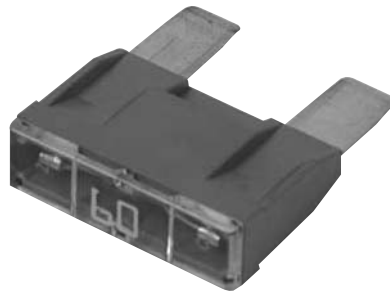


Item	Art. no.	Description	Qty. / Unit
	<b>491A46=SW105</b>	<b>Motor mounting kit (items 1-4)</b>	<b>1 pc.</b>
1		Pan head screw with square neck, DIN 903, M8x75, galvanized	8 pcs
2		Bushing 18x8.5x8.5	8 pcs
3		Washer DIN 125, 8.4, galvanized	8 pcs
4		Hexagon nut, self-locking, DIN 985, M8, galvanized	8 pcs



Item	Art. no.	Description	Qty. / Unit
	493U46=SK050	Battery pack 12V/31Ah (C20)*	2 pcs

\* Please order 2 pieces



Item	Art. no.	Description	Qty. / Unit
	493U16=ST013	Fuse 60 A*	2 pcs

\* Please order 2 pieces



Item	Art. no.	Description	Qty. / Unit
	493T55=SK003	Battery cable	1 pc.



Item	Art. no.	Description	Qty. / Unit
	493U46=ST040	Contact strip, complete	1 pc.



Item	Art. no.	Description	Qty. / Unit
	493U46=SK001	Battery charger	1 pc.
no ill.	493U46=SK003	Battery charger 110 V with mains plug for USA	1 pc.



Item	Art. no.	Description	Qty. / Unit
	493U24=ST011	Mains adapter for Euro plug / UK	1 pc.



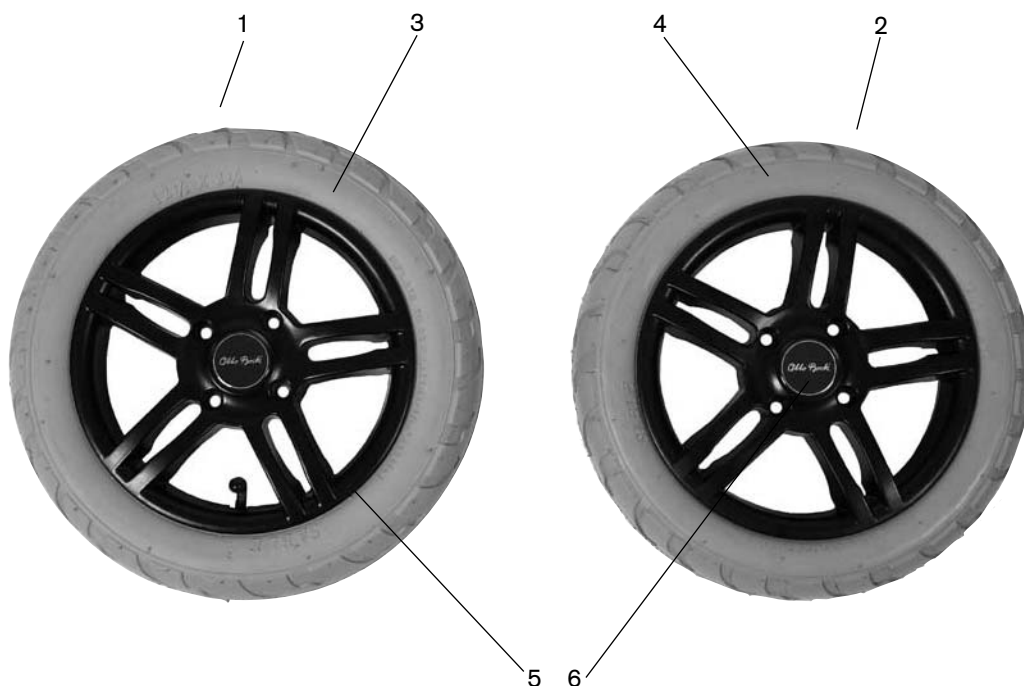
Item	Art. no.	Description	Qty. / Unit
	491F55=SK001	Caster fork, compl.*	2 pcs

\* Please order 2 pieces



Item	Art. no.	Description	Qty. / Unit
	491F46=ST002	PU caster 8", grey*	2 pcs

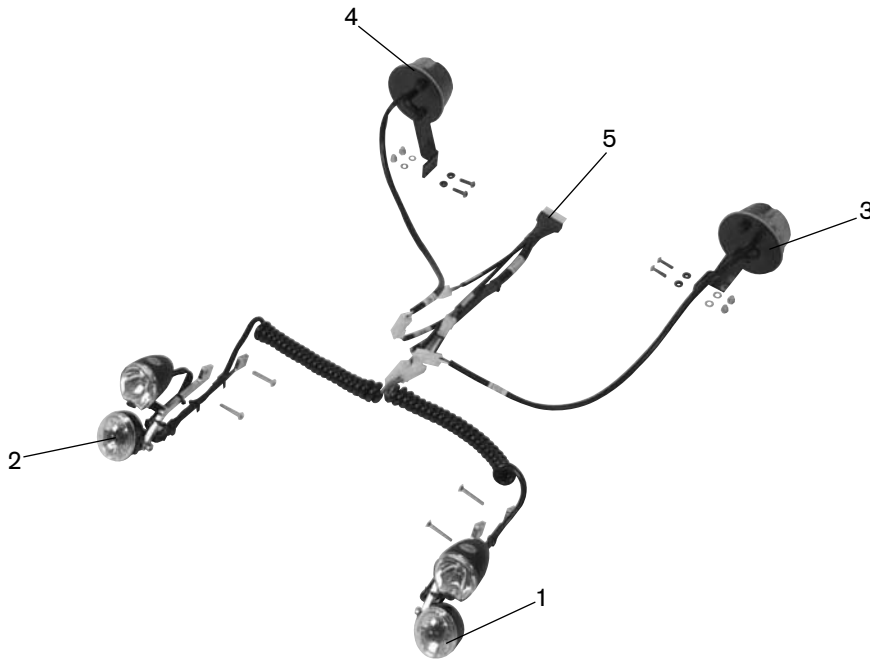
\* Please order 2 pieces



Item	Art. no.	Description	Qty. / Unit
1	491G46=SK013	Drive wheel 12", compl., pneumatic tyre, grey	2 pcs
2	491G46=SK014	Drive wheel 12", compl., puncture-proof, grey	2 pcs
3	491G46=ST016	Casing 12 1/2" x 2 1/4", grey	2 pcs
no ill.	491G46=ST007	Inner tube 12 1/2 x 2 1/4"	2 pcs
4	491G46=ST018	Tyre 12 1/2" x 2 1/4", grey, puncture-proof	2 pcs
5	491G46=SS017	Aluminium rim, black coated	2 pcs
6	491G32=ST029	"Otto Bock" label	2 pcs

Please order 2 pieces

Item	Art. no.	Description	Qty. / Unit
	<b>491G32=ST030</b>	<b>Cap screw set for drive wheel attachment</b>	<b>1 set</b>
no ill.		Cap screw DIN 912, M8x25, galvanized	8 pcs
no ill.		Spring washer DIN 7980, 8	8 pcs



Item	Art. no.	Description	Qty. / Unit
	<b>491S55=SK050</b>	<b>Lighting according to German Motor Vehicle Safety Standards (StVZO) (includes items 1-5)</b>	<b>1 pc.</b>
1	493T55=LK006	Front light, left	1 pc.
2	493T55=RK006	Front light, right	1 pc.
3	493T55=LK007	Tail light, left	1 pc.
4	493T55=RK007	Tail light, right	1 pc.
5	493T55=SK004	Main cable	1 pc.



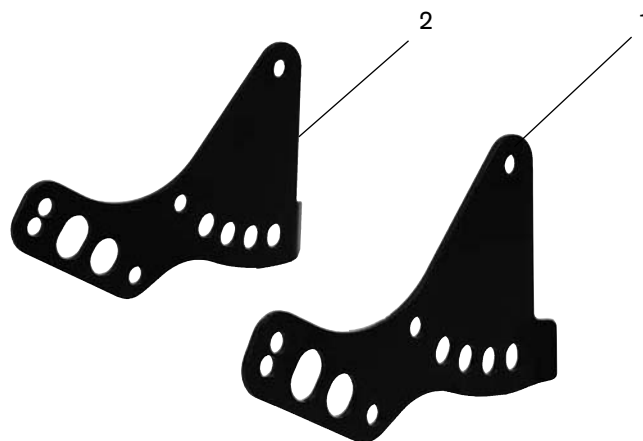
Item	Art. no.	Description	Qty. / Unit
1	491S32=ST156	Lamp for front light (package of 10 pcs)	1 set
2	491S32=ST158	Lamp for front direction indicator (package of 10 pcs)	1 set
3	491S55=ST054	Sofitte C10W 6V SV8.5 for tail light (package of 10 pcs)	1 set
4	491S32=ST150	Sofitte C21W 12V SV8.5 for rear direction indicator (package of 10 pcs)	1 set



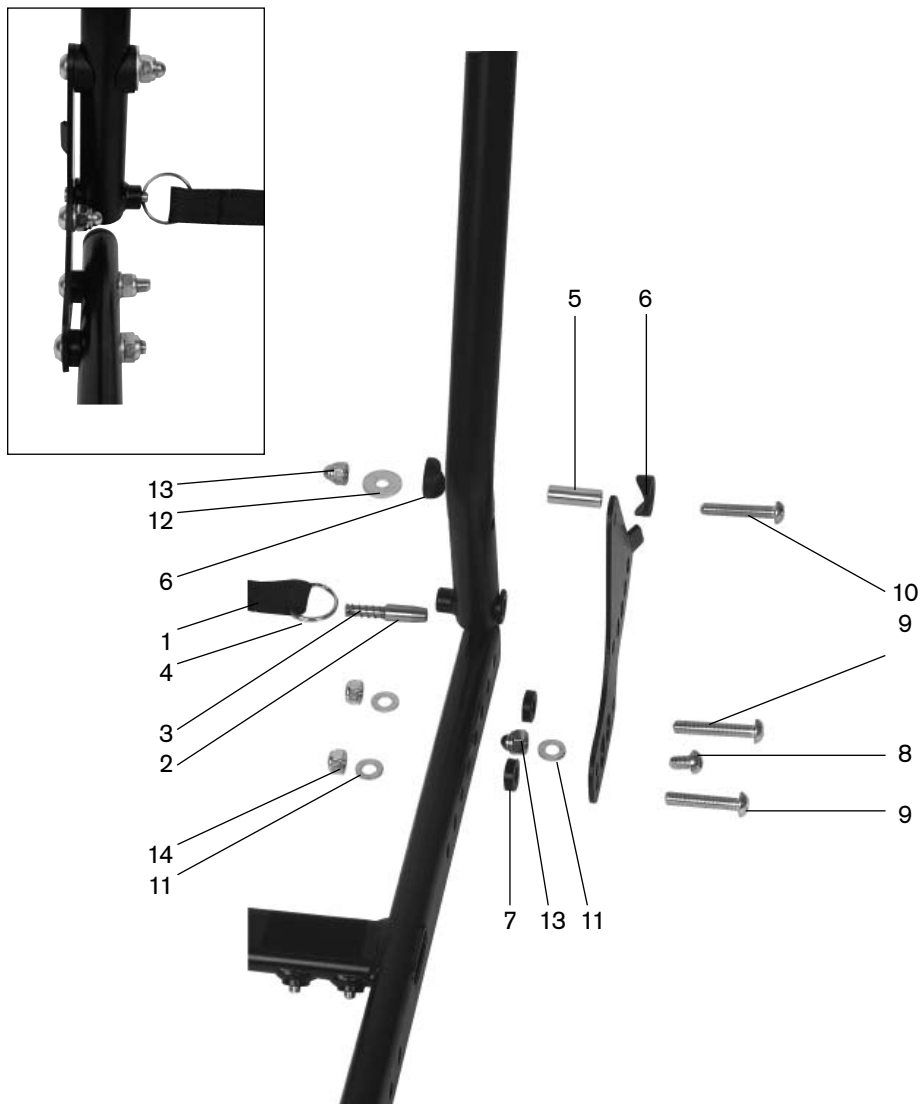
# ***Powerchair***



Item	Art. no.	Description	Qty. / Unit
	491C55=SK015	Standard seat (seat depth 28-38 cm, seat width 30-38 cm)	1 pc.



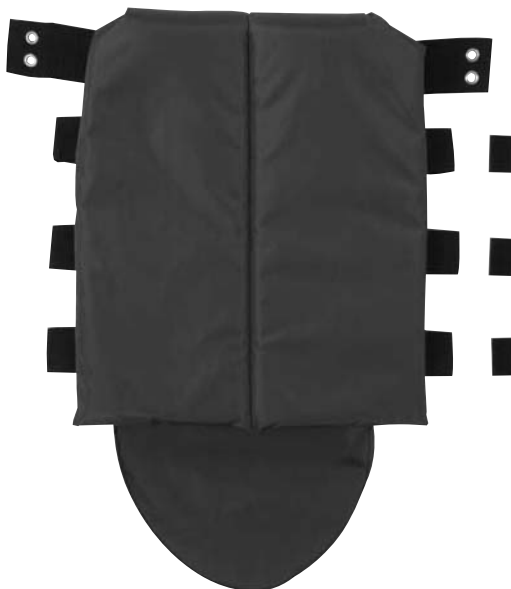
Item	Art. no.	Description	Qty. / Unit
1	491D32=LS011	Bearing plate, left	1 pc.
2	491D32=RS011	Bearing plate, right	1 pc.



Item	Art. no.	Description	Qty. / Unit
	<b>491D55=SW020</b>	<b>Mounting accessories for back (items 1-14)</b>	<b>1 pc.</b>
1		Release strap	1 pc.
2		Locking bar	2 pcs
3		Compression spring 0.75x7.25x22x5, stainless steel	2 pcs
4		Key ring, nickel-plated, SP30x2	2 pcs
5		Bushing 8.1x11x31.5	2 pcs
6		Half shell 25x11.2	4 pcs
7		Spacer washer	4 pcs
8		Oval head screw ISO 7380, M8x12, galvanized	2 pcs
9		Oval head screw ISO 7380, M8x40, galvanized	4 pcs
10		Oval head screw ISO 7380, M8x45, galvanized	2 pcs
11		Washer DIN 125, 8.4, galvanized	6 pcs
12		Washer DIN 9021, 8.4, galvanized	2 pcs
13		Cap nut DIN 986, M8, galvanized	4 pcs
14		Hexagon nut, self-locking, DIN 985, M8, galvanized	4 pcs



Item	Art. no.	Description	Qty. / Unit
	491D55=SS005	Mechanical back	1 pc.



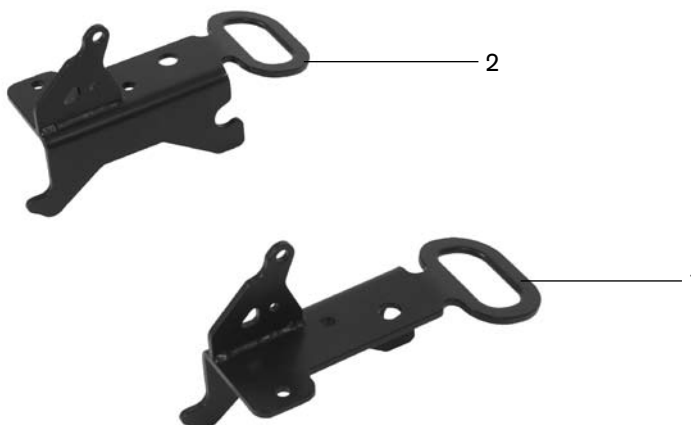
Item	Art. no.	Description	Qty. / Unit
	491D55=SK011	Back upholstery, adaptable, height adjustable, blue, for mechanical back	1 pc.
	491D55=SK012	Back upholstery, adaptable, height adjustable, red, for mechanical back	1 pc.



Item	Art. no.	Description	Qty. / Unit
	491C55=SV010	Seat frame with loop strips	1 pc.



Item	Art. no.	Description	Qty. / Unit
	491C55=SV036	Variable seat plate with loop strips	1 pc.

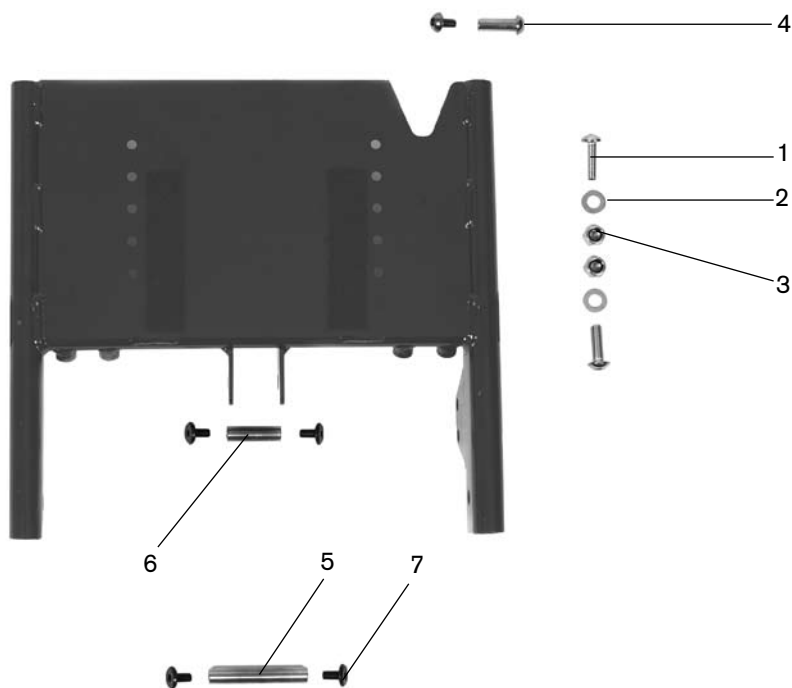


Item	Art. no.	Description	Qty. / Unit
1	491C55=LS100	Rear seat angle, left	1 pc.
2	491C55=RS100	Rear seat angle, right	1 pc.



Item	Art. no.	Description	Qty. / Unit
	491C32=SV007	Side panel attachment device*	2 pcs

\* Please order 2 pieces



Item	Art. no.	Description	Qty. / Unit
	491C55=SW016	<b>Mounting accessories for seat (items 1-7)</b>	<b>1 pc.</b>
1		Oval head screw ISO 7380, M8x25, galvanized	4 pcs
2		Washer DIN 125, 8.4, galvanized	4 pcs
3		Hexagon nut, self-locking, DIN 985, M8, galvanized	4 pcs
4		Threaded sleeve with screw M8x25	2 sets
5		Connecting shaft, long	1 pc.
6		Connecting shaft, short	1 pc.
7		Pan head screw, type KF, M6x12 (secure with medium-strength Loctite)	4 pcs



Item	Art. no.	Description	Qty. / Unit
	491C55=SM017	Seat cushion, seat depth 28 cm, with black cover	1 pc.
	491C55=SM018	Seat cushion, seat depth 30 cm, with black cover	1 pc.
	491C55=SM019	Seat cushion, seat depth 32 cm, with black cover	1 pc.
	491C55=SM020	Seat cushion, seat depth 34 cm, with black cover	1 pc.
	491C55=SM021	Seat cushion, seat depth 36 cm, with black cover	1 pc.
	491C55=SM022	Seat cushion, seat depth 38 cm, with black cover	1 pc.



Item	Art. no.	Description	Qty. / Unit
	491D55=PK030	Push handles, height adjustable, detachable	1 pair



Item	Art. no.	Description	Qty. / Unit
	491D55=SK040	Back extension (35 cm - 45 cm)	1 pc.

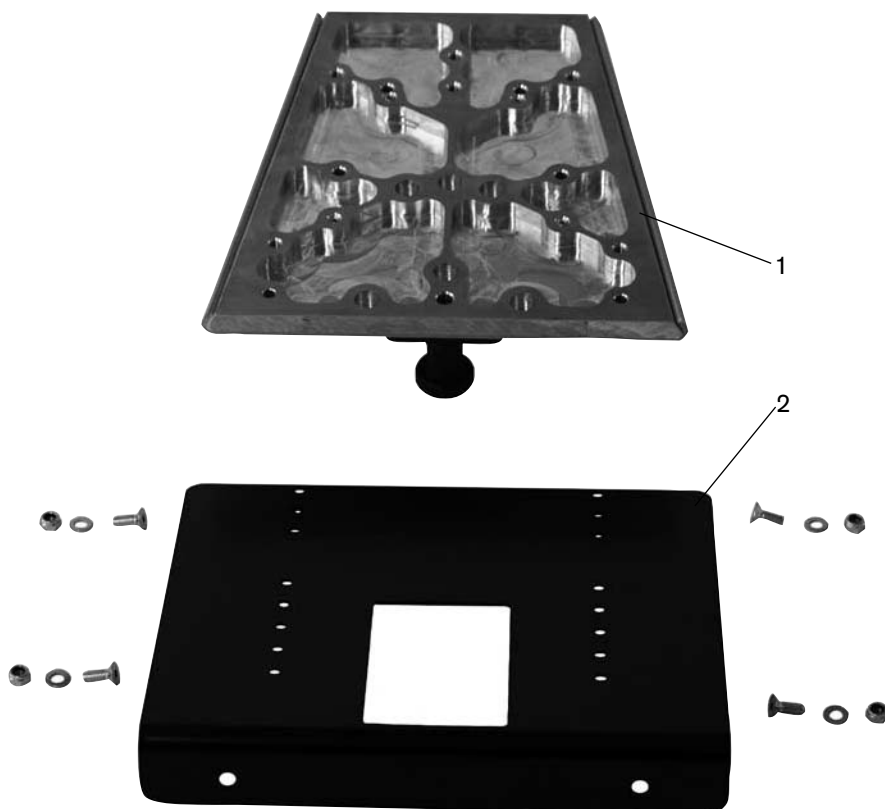




Item	Art. no.	Description	Qty. / Unit
	491L32=SW001	Mounting accessories for headrest attachment	1 pc.



Item	Art. no.	Description	Qty. / Unit
	491P55=SK010	Lap belt with buckle	1 pc.



Item	Art. no.	Description	Qty. / Unit
	<b>491C55=SK050</b>	<b>Trapezoid seating shell adapter</b> (includes items 1, 2)	<b>1 pc.</b>
1	HR32043590	Trapezoid adapter for seating shell	1 pc.
2	491C55=SV046	Variable seat plate for trapezoid adapter with loop strips	1 pc.

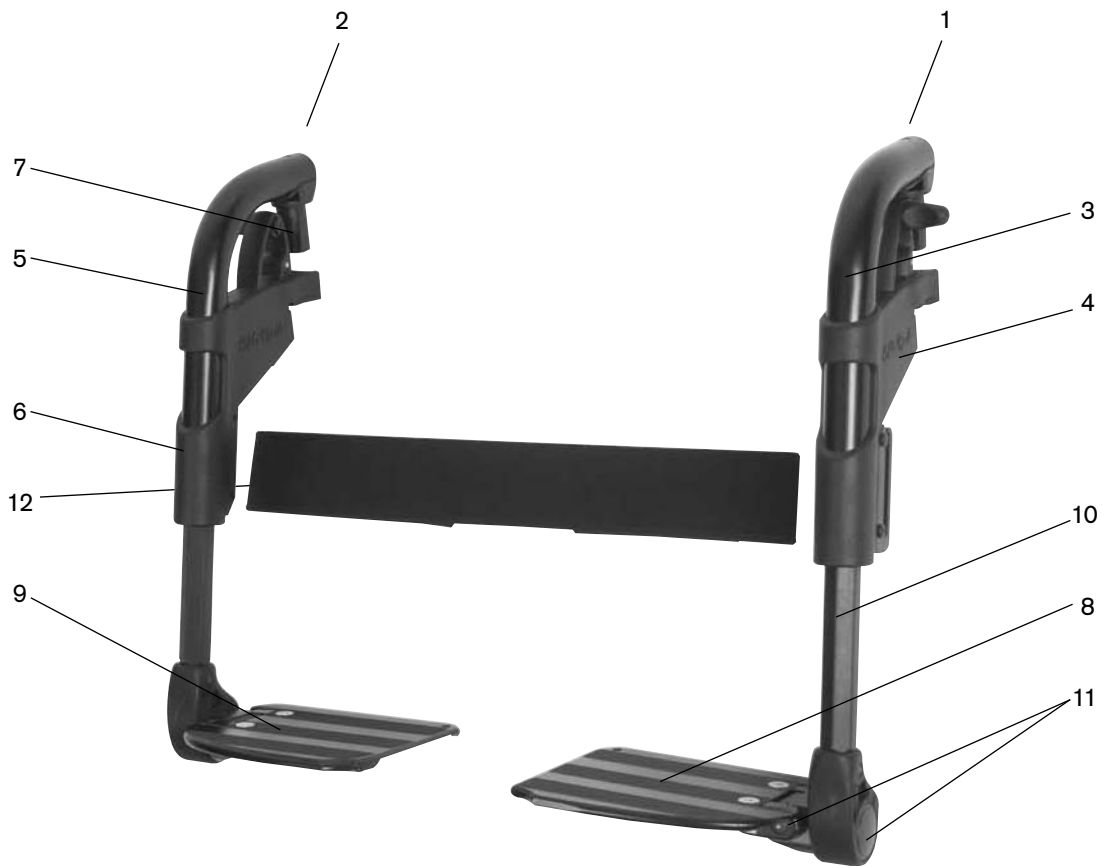


Item	Art. no.	Description	Qty. / Unit
	491E55=SK050	Armrest with clothing protector, compl. (items 1, 2)	1 pc.
1	491E55=LK050	Armrest with clothing protector, left, compl. (includes items 3, 5)	1 pc.
2	491E55=RK050	Armrest with clothing protector, right, compl. (includes items 4, 5)	1 pc.
3	491E55=LV001	Clothing protector with loop fabric insert, left	1 pc.
4	491E55=RV001	Clothing protector with loop fabric insert, right	1 pc.
5	481E53=ST036	Armrest*	2 pcs

\* Please order 2 pieces

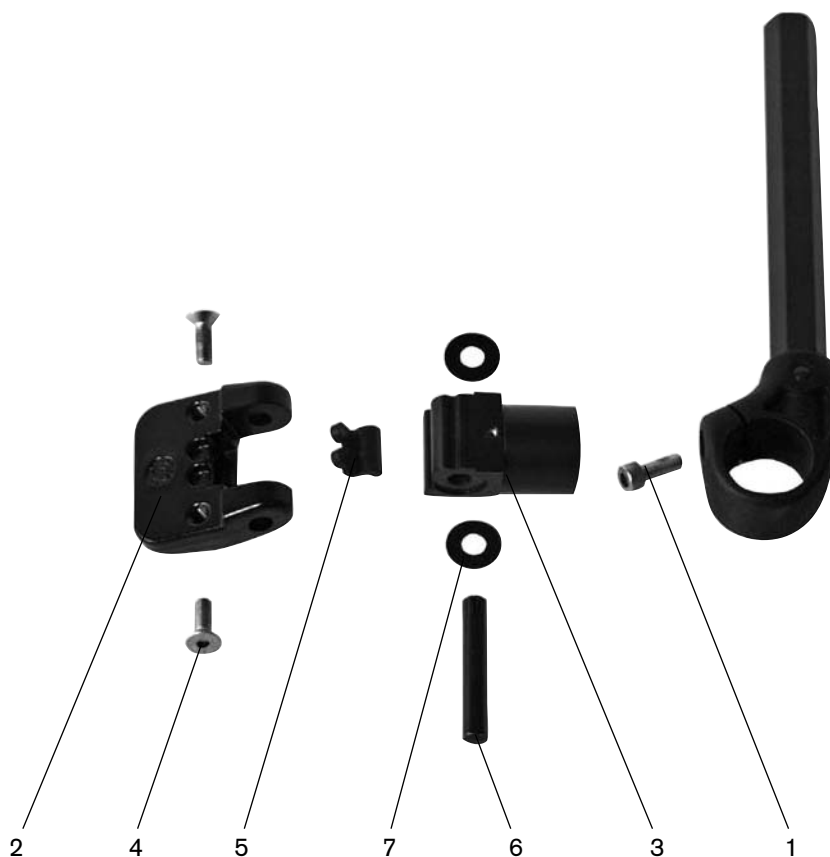


Item	Art. no.	Description	Qty. / Unit
	491E55=ST021	Lateral pad, detachable, blue (thickness 3 cm)	1 set
	491E55=ST022	Lateral pad, detachable, red (thickness 3 cm)	1 set



Item	Art. no.	Description	Qty. / Unit
	<b>491B55=SK010</b>	<b>Individual footrests with aluminium footplates*</b> (items 1, 2, 12)	<b>1 pc.</b>
<b>1</b>	<b>491B55=LK010</b>	<b>Individual footrest with aluminium footplate, left*</b> (items 3, 8, 10, 11)	<b>1 pc.</b>
<b>2</b>	<b>491B55=RK010</b>	<b>Individual footrest with aluminium footplate, right*</b> (items 5, 9-11)	<b>1 pc.</b>
3	491B32=LK086	Footrest holder, short, left, compl. (includes items 4, 7)	1 pc.
4	481B45=LV075	Swivel segment, left, pre-assembled	1 pc.
5	491B32=RK086	Footrest holder, short, right, compl. (includes items 6, 7)	1 pc.
6	481B45=RV075	Swivel segment, right, pre-assembled	1 pc.
7	481B08=ST191	Pivot bearing	1 pc.
8	491B55=LS051	Individual footplate, left	1 pc.
9	491B55=RS051	Individual footplate, right	1 pc.
10	481B45=SK231	Footrest bar, short (lower leg length 23 - 30 cm)	1 pc.
10	481B45=SK232	Footrest bar, long (lower leg length 31 - 38 cm)	1 pc.
11	491B55=SW002	Mounting accessories for footrest bar for individual footrest (for single components refer to page 81, items 1-7)	1 pc.
12	481A08=ST019	Calf band 680 mm (seat width 30-33 cm)	1 pc.
12	481A08=ST020	Calf band 800 mm (seat width 34-38 cm)	1 pc.

\* Please specify lower leg length:

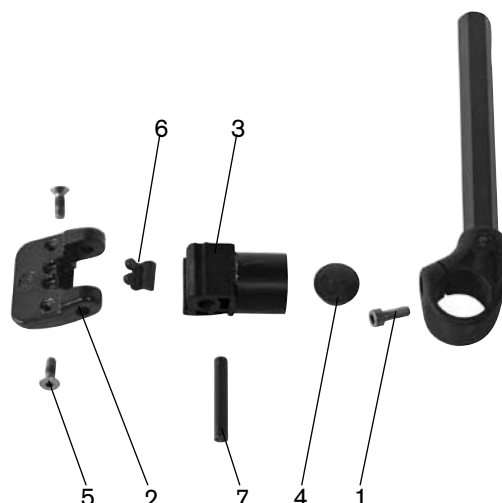


Item	Art. no.	Description	Qty. / Unit
	<b>491B55=SW002</b>	<b>Mounting accessories for footrest bar for individual footrest (items 1-7)</b>	
	<b>491B55=SW065</b>	<b>Mounting accessories for footrest bar for elevating footrest (items 1-7, no ill.)</b>	
1		Cap screw DIN 912 with knurled head, M6x16, A2	1 pc.
2		Bearing segment, size 1	1 pc.
3		Bearing for individual footrest	1 pc.
4		Countersunk head screw DIN 7991, self-locking, M6x18, A2	2 pcs
5		Locking clip	1 pc.
6		Half length taper-grooved dowel pin ISO 8745, 8x53, black	1 pc.
7		Plastic spacer washer	2 pcs
no ill.		Saddle washer	1 pc.
no ill.		Screw rosette 5.3x18x3.8	1 pc.
no ill.		Countersunk head screw DIN 7991, self-locking, M5x18, A2	1 pc.

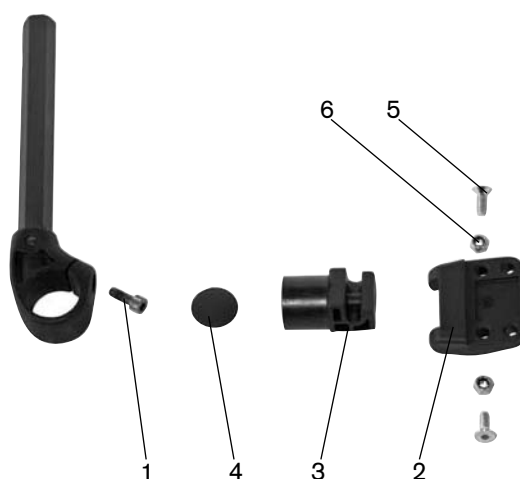


Item	Art. no.	Description	Qty. / Unit
	<b>491B55=SK030</b>	<b>Single-panel footrest with aluminium footplate, seat width 30-33 cm*</b> (items 1, 3, 6-10)	<b>1 pc.</b>
	<b>491B55=SK035</b>	<b>Single-panel footrest with aluminium footplate, seat width 34-38 cm*</b> (items 1, 3, 6-10)	<b>1 pc.</b>
1	491B32=LK086	Footrest holder, short, left, compl. (includes items 2, 5)	1 pc.
2	481B45=LV075	Swivel segment, left, pre-assembled	1 pc.
3	491B32=RK086	Footrest holder, short, right, compl. (includes items 4, 5)	1 pc.
4	481B45=RV075	Swivel segment, right, pre-assembled	1 pc.
5	481B08=ST191	Pivot bearing	1 pc.
6	491B55=SS054	Continuous footplate, narrow, seat width 30-33 cm	1 pc.
6	491B55=SS053	Continuous footplate, narrow, seat width 34-38 cm	1 pc.
7	481B45=SK231	Footrest bar, short (lower leg length 23 - 30 cm)	1 pc.
7	481B45=SK232	Footrest bar, long (lower leg length 31 - 38 cm)	1 pc.
8	491B55=LW003	Mounting accessories for footrest bar for single-panel footrest, left (for single components refer to page 83, items 1-7)	1 pc.
9	491B55=RW004	Mounting accessories for footrest bar for single-panel footrest, right (for single components refer to page 83, items 1-6)	1 pc.
10	481A08=ST019	Calf band 680 mm (seat width 30-33 cm)	1 pc.
10	481A08=ST020	Calf band 800 mm (seat width 34-38 cm)	1 pc.

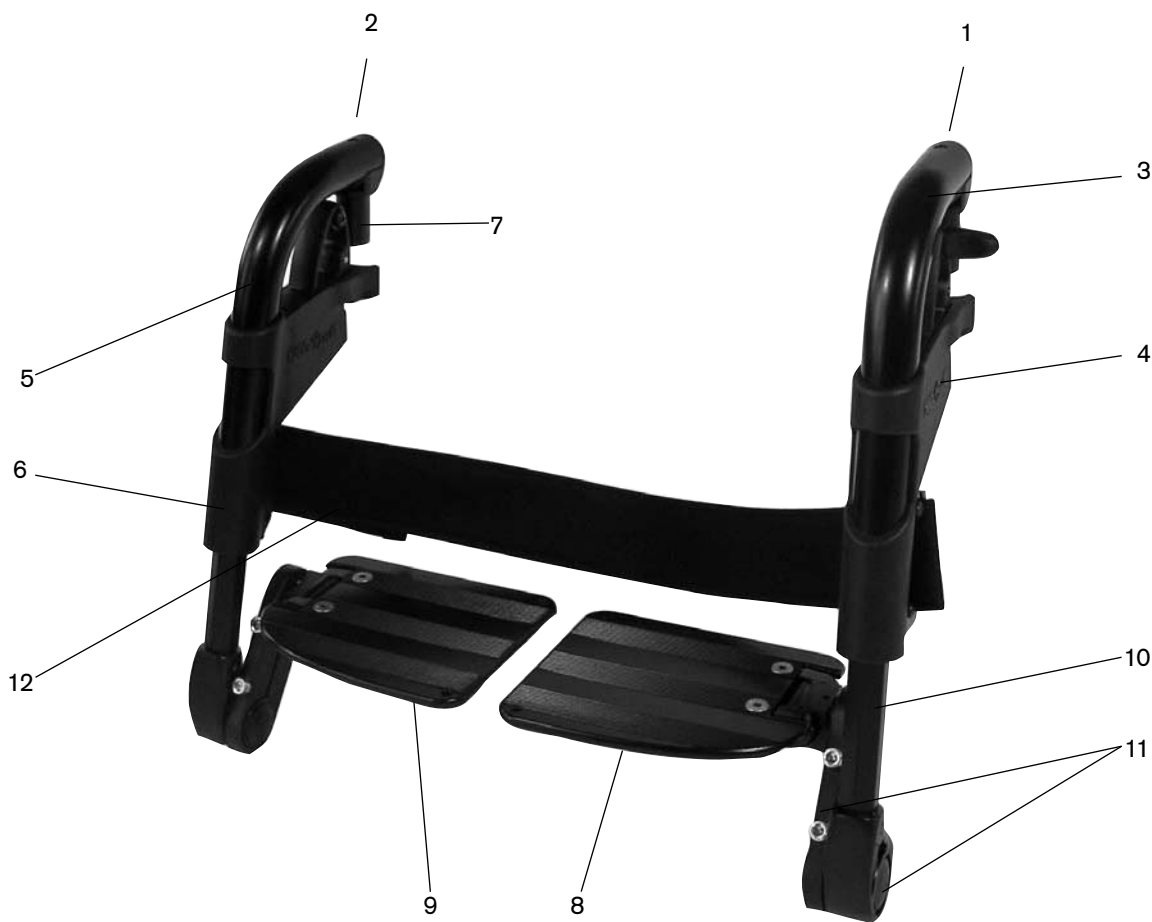
\* Please specify lower leg length:



Item	Art. no.	Description	Qty. / Unit
	<b>491B55=LW003</b>	<b>Mounting accessories for footrest bar for single-panel footrest, left (items 1-7)</b>	
1		Cap screw DIN 912 with knurled head, M6x16, A2	1 pc.
2		Bearing segment, size 1	1 pc.
3		Bearing 25 mm	1 pc.
4		Cap	1 pc.
5		Countersunk head screw DIN 7991, self-locking, M6x18, A2	2 pcs
6		Locking clip	1 pc.
7		Half length taper-grooved dowel pin ISO 8745, 8x53, black	1 pc.



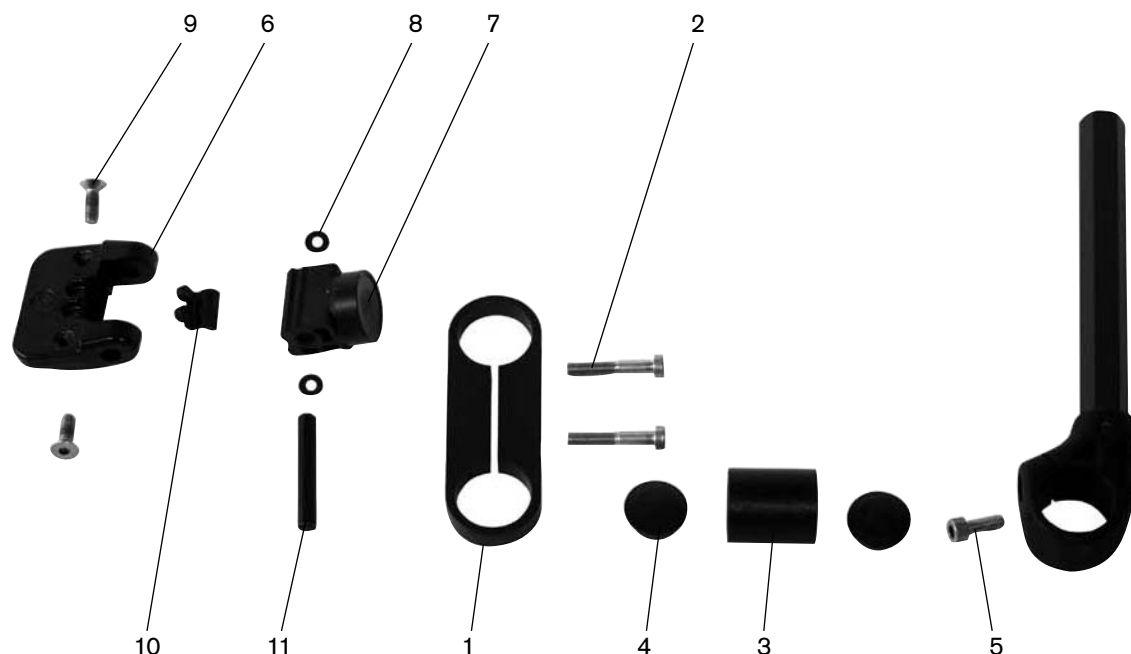
Item	Art. no.	Description	Qty. / Unit
	<b>491B55=RW004</b>	<b>Mounting accessories for footrest bar for single-panel footrest, right (items 1-6)</b>	
1		Cap screw DIN 912 with knurled head, M6x16, A2	1 pc.
2		Bearing segment, size 1	1 pc.
3		Bearing 25 mm	1 pc.
4		Cap	1 pc.
5		Countersunk head screw DIN 7991, M6x16, A2	2 pcs
6		Hexagon nut, self-locking, DIN 985, M6, A2	2 pcs



Item	Art. no.	Description	Qty. / Unit
	<b>491B55=SK020</b>	<b>Individual footrests with aluminium footplates for short lower leg length*</b> (items 1, 2, 12)	<b>1 pc.</b>
<b>1</b>	<b>491B55=LK020</b>	<b>Individual footrest with aluminium footplate for short lower leg length, left*</b> (items 3, 8, 10, 11)	<b>1 pc.</b>
<b>2</b>	<b>491B55=RK020</b>	<b>Individual footrest with aluminium footplate for short lower leg length, right*</b> (items 5, 9-11)	<b>1 pc.</b>
3	491B32=LK086	Footrest holder, short, left, compl. (includes items 4, 7)	1 pc.
4	481B45=LV075	Swivel segment, left, pre-assembled	1 pc.
5	491B32=RK086	Footrest holder, short, right, compl. (includes items 6, 7)	1 pc.
6	481B45=RV075	Swivel segment, right, pre-assembled	1 pc.
7	481B08=ST191	Pivot bearing	1 pc.
8	491B55=LS051	Individual footplate, left	1 pc.
9	491B55=RS051	Individual footplate, right	1 pc.
10	481B45=SK231	Footrest bar	1 pc.
11	491B55=SW007	Mounting accessories for footrest bar for individual footrest for short lower leg length (for single components refer to page 85, items 1-11)	1 pc.
12	481A08=ST019	Calf band 680 mm (seat width 30-33 cm)	1 pc.
12	481A08=ST020	Calf band 800 mm (seat width 34-38 cm)	1 pc.

\* Please specify lower leg length:



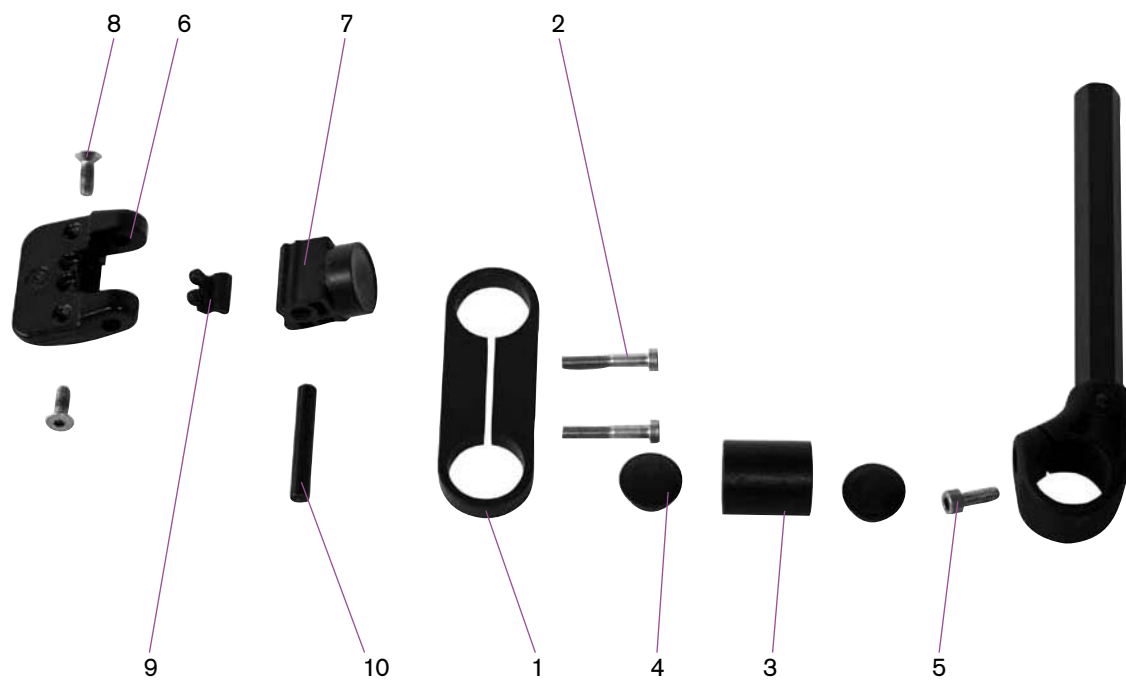


Item	Art. no.	Description	Qty. / Unit
	<b>491B55=SW007</b>	<b>Mounting accessories for footrest bar for individual footrest for short lower leg length (items 1-11)</b>	
1		Clamp	1 pc.
2		Cap screw DIN 6912, M6x30, galvanized	2 pcs
3		Adapter for receiver	1 pc.
4		Plastic blind plug	2 pcs
5		Cap screw DIN 912 with knurled head, M6x16, A2	1 pc.
6		Bearing segment, size 1	1 pc.
7		Bearing for individual footrest	1 pc.
8		Plastic spacer washer	2 pcs
9		Countersunk head screw DIN 7991, self-locking, M6x18, A2	2 pcs
10		Locking clip	1 pc.
11		Half length taper-grooved dowel pin ISO 8745, 8x53, black	1 pc.

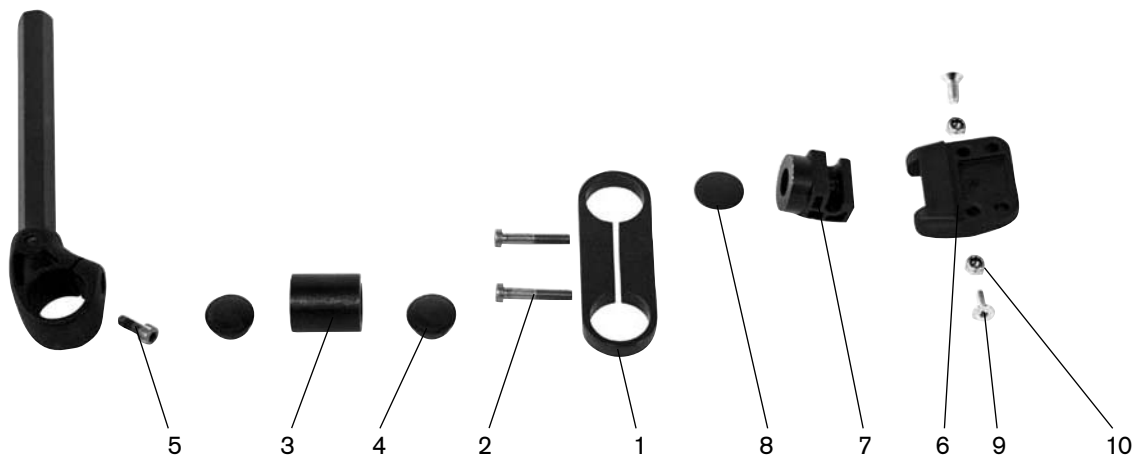


Item	Art. no.	Description	Qty. / Unit
	<b>491B55=SK040</b>	<b>Single-panel footrest with aluminium footplate for short lower leg length, seat width 30-33 cm* (items 1, 3, 6-10)</b>	<b>1 pc.</b>
	<b>491B55=SK045</b>	<b>Single-panel footrest with aluminium footplate for short lower leg length, seat width 34-38 cm* (items 1, 3, 6-10)</b>	<b>1 pc.</b>
1	491B32=LK086	Footrest holder, short, left, compl. (includes items 2, 5)	1 pc.
2	481B45=LV075	Swivel segment, left, pre-assembled	1 pc.
3	491B32=RK086	Footrest holder, short, right, compl. (includes items 4, 5)	1 pc.
4	481B45=RV075	Swivel segment, right, pre-assembled	1 pc.
5	481B08=ST191	Pivot bearing	1 pc.
6	491B55=SS054	Continuous footplate, narrow, seat width 30-33 cm	1 pc.
6	491B55=SS053	Continuous footplate, narrow, seat width 34-38 cm	1 pc.
7	481B45=SK231	Footrest bar	1 pc.
8	491B55=LW008	Mounting accessories for footrest bar for single-panel footrest for short lower leg length, left (for single components refer to page 87, items 1-10)	1 pc.
9	491B55=RW009	Mounting accessories for footrest bar for single-panel footrest for short lower leg length, right (for single components refer to page 88, items 1-10)	1 pc.
10	481A08=ST019	Calf band 680 mm (seat width 30-33 cm)	1 pc.
10	481A08=ST020	Calf band 800 mm (seat width 34-38 cm)	1 pc.

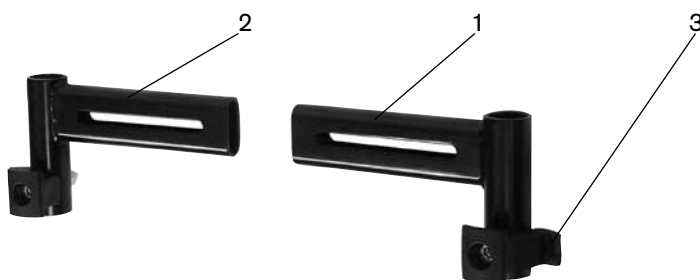
\* Please specify lower leg length:



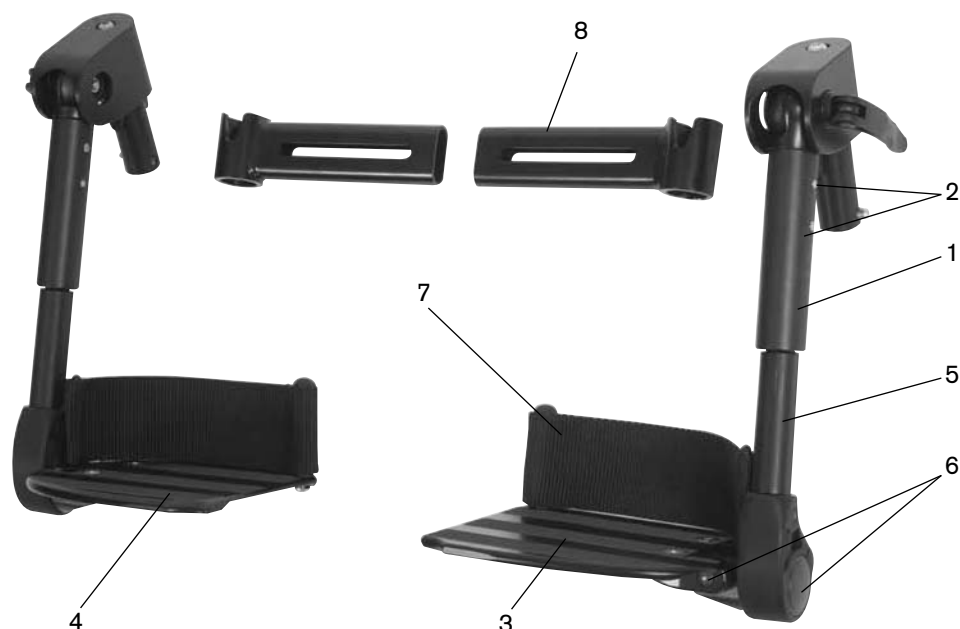
Item	Art. no.	Description	Qty. / Unit
	<b>491B55=LW008</b>	<b>Mounting accessories for footrest bar for single-panel footrest for short lower leg length, left (items 1-10)</b>	
1		Clamp	1 pc.
2		Cap screw DIN 6912, M6x30, galvanized	2 pcs
3		Adapter for receiver	1 pc.
4		Plastic blind plug	2 pcs
5		Cap screw DIN 912 with knurled head, M6x16, A2	1 pc.
6		Bearing segment, size 1	1 pc.
7		Bearing 10 mm	1 pc.
8		Countersunk head screw DIN 7991, self-locking, M6x18, A2	2 pcs
9		Locking clip	1 pc.
10		Half length taper-grooved dowel pin ISO 8745, 8x53, black	1 pc.



Item	Art. no.	Description	Qty. / Unit
	<b>491B55=RW009</b>	<b>Mounting accessories for footrest bar for single-panel footrest for short lower leg length, right (items 1-10)</b>	
1		Clamp	1 pc.
2		Cap screw DIN 6912, M6x30, galvanized	2 pcs
3		Adapter for receiver	1 pc.
4		Plastic blind plug	2 pcs
5		Cap screw DIN 612 with knurled head, M6x16, A2	1 pc.
6		Bearing segment, size 1	1 pc.
7		Bearing 10 mm	1 pc.
8		Cap	1 pc.
9		Countersunk head screw DIN 7991, M6x16, A2	2 pcs
10		Hexagon nut, self-locking, DIN 985, M6, A2	2 pcs

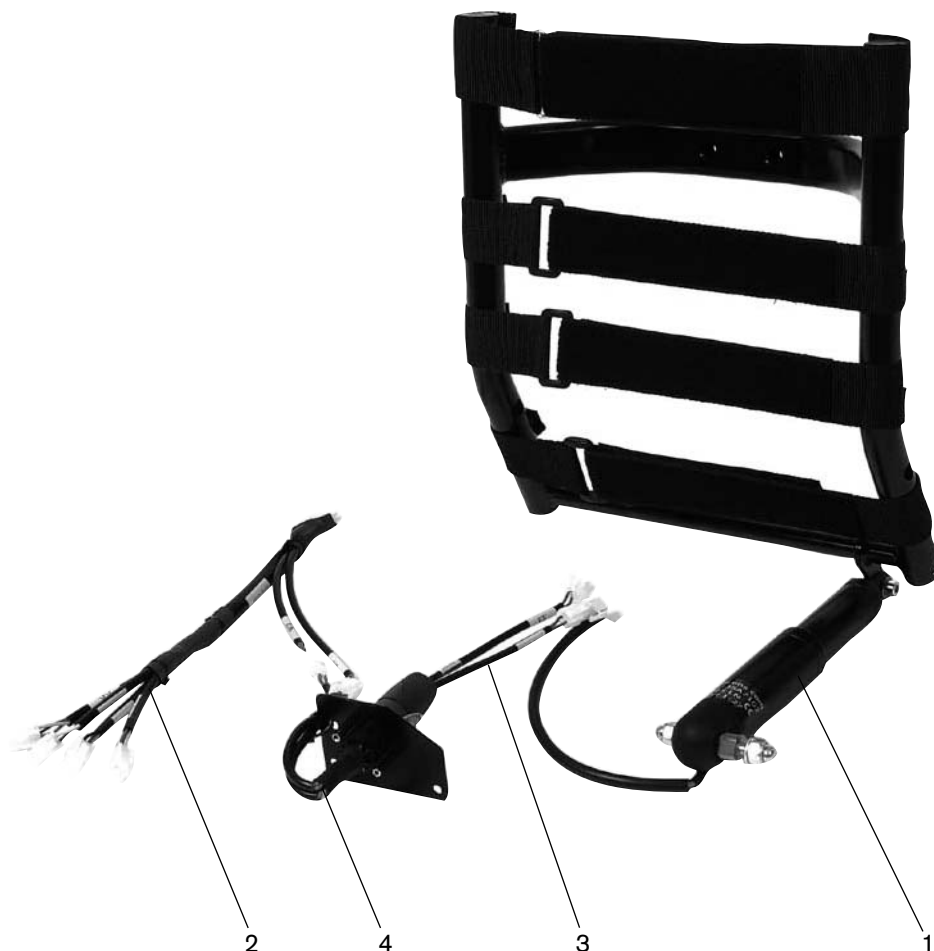


Item	Art. no.	Description	Qty. / Unit
1	491B55=LV015	Footrest receiver, standard, pre-assembled, left (includes item 3)	1 pc.
2	491B55=RV015	Footrest receiver, standard, pre-assembled, right (includes item 3)	1 pc.
3	481B08=ST204	Locking device	1 pc.



Item	Art. no.	Description	Qty. / Unit
	<b>491B55=PK060</b>	<b>Mechanically elevating footrests*</b>	<b>1 pair</b>
	<b>491B55=LK060</b>	<b>Mechanically elevating footrest, left*</b> (items 1-3, 5-8)	<b>1 pc.</b>
	<b>491B55=RK060</b>	<b>Mechanically elevating footrest, right*</b> (items 1, 2, 4-8)	<b>1 pc.</b>
1	491B55=SE061	Footrest stand tube, short (lower leg length 15 - 20 cm with short footrest bar)	1 pc.
1	491B55=SE071	Footrest stand tube, long (lower leg length 20 - 25 cm with short footrest bar; lower leg length 25 - 33 cm with long footrest bar)	1 pc.
2	506A22=5x25	Half length taper-grooved dowel pin ISO 8745, 5x25, A2	2 pcs
3	491B55=LS051	Individual footplate, left	1 pc.
4	491B55=RS051	Individual footplate, right	1 pc.
5	491B55=SK068	Footrest bar, short, for elevating footrest (lower leg length 15 - 20 cm with short stand tube; lower leg length 20 - 25 cm with long stand tube)	1 pc.
5	491B55=SK069	Footrest bar, long, for elevating footrest (lower leg length 25 - 33 cm with long stand tube)	1 pc.
6	491B55=SW065	Mounting accessories for footrest bar for elevating footrest (for single components refer to page 81, items 1-7, no ill.)	1 pc.
7	491B55=SK056	Heel band for individual footrest	1 pc.
8	491B55=SS005	Elevating footrest receiver	1 pc.

\* Please specify lower leg length:



Item	Art. no.	Description	Qty. / Unit
	<b>491D55=SK050</b>	<b>Electric back angle adjustment*</b> (includes items 1-4)	<b>1 pc.</b>
1	493T55=SK011	Adjustment motor	1 pc.
2	493T55=SK004	Main cable	1 pc.
3	493T55=SK012	Cable for actuator - plug	1 pc.
4	493T55=SK008	Cable for actuator - receptacle	1 pc.

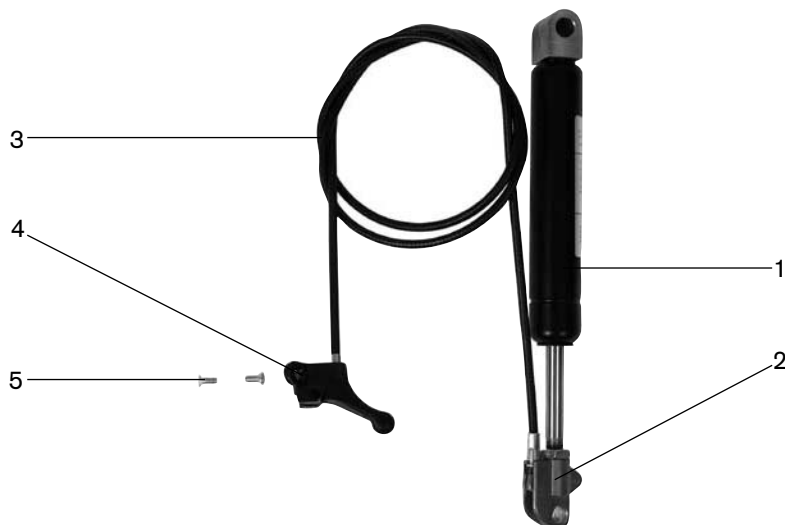
\* Cannot be combined with seating shell adapter/seating shell



Item	Art. no.	Description	Qty. / Unit
	491D55=SS006	Electric back	1 pc.

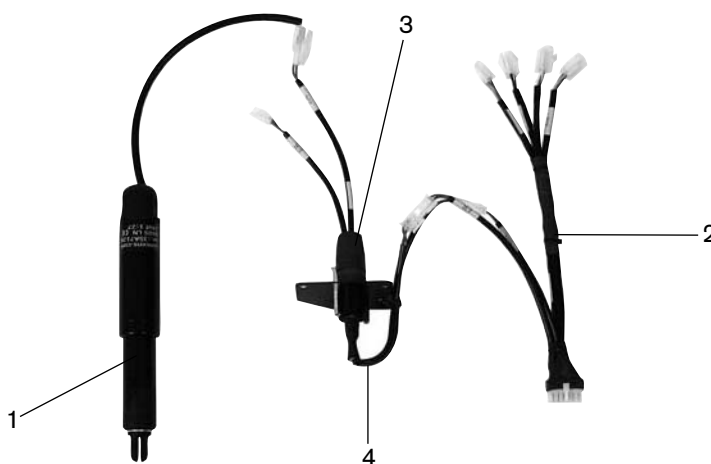


Item	Art. no.	Description	Qty. / Unit
	491D55=SK111	Back upholstery, adaptable, height adjustable, blue, for electric back	1 pc.
	491D55=SK112	Back upholstery, adaptable, height adjustable, red, for electric back	1 pc.



Item	Art. no.	Description	Qty. / Unit
	<b>491C55=SK060</b>	<b>Mechanical seat tilt*</b> (includes items 1-5)	<b>1 pc.</b>
1	491I55=ST001	Gas strut 250 N	1 pc.
2	476I50=ST001	Release head	1 pc.
3	491C32=ST266	Bowden cable for seat tilt	1 pc.
4	HR11290003	Release lever M6 Magura 81.13DEM/ZKS	1 pc.
5	501B8=3.5X9.5	Oval countersunk self-tapping screw DIN 7983	2 pcs

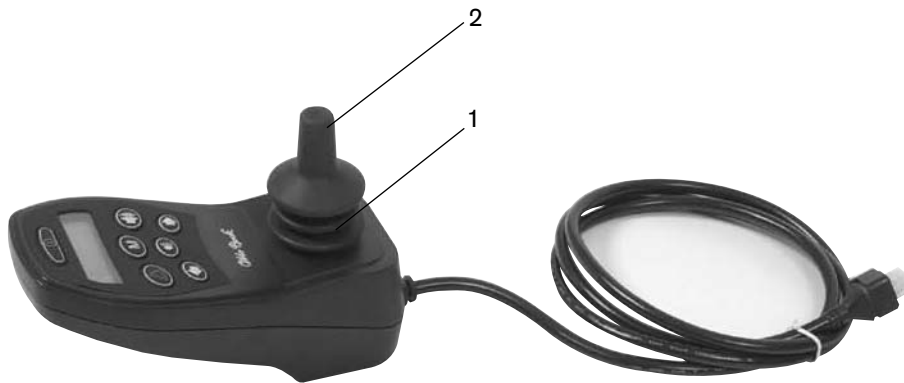
\* Only in combination with push handles



Item	Art. no.	Description	Qty. / Unit
	<b>491C55=SK070</b>	<b>Electric seat tilt</b> (includes items 1-4)	<b>1 pc.</b>
1	493T55=SK011	Adjustment motor	1 pc.
2	493T55=SK004	Main cable	1 pc.
3	493T55=SK012	Cable for actuator - plug	1 pc.
4	493T55=SK008	Cable for actuator - receptacle	1 pc.



# ***Control System***



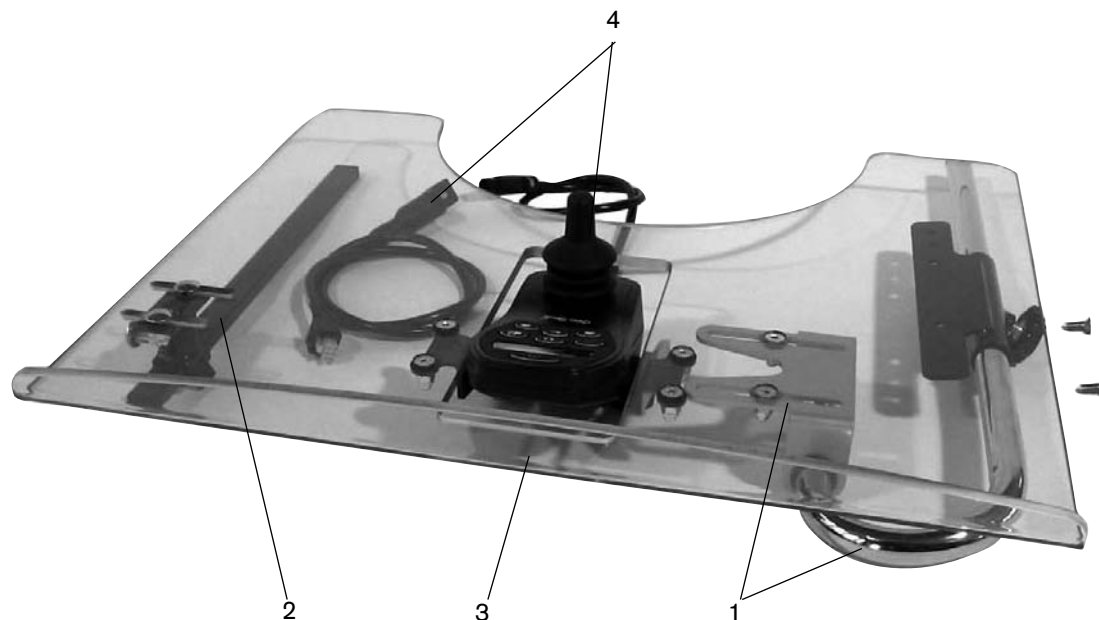
Item	Art. no.	Description	Qty. / Unit
	<b>493U55=SK002</b>	<b>Control panel "enAble 40" (includes items 1, 2)</b>	<b>1 pc.</b>
1	493U32=ST088	Gaiter for joystick	1 pc.
2	493U55=ST031	Grip for joystick	1 pc.



Item	Art. no.	Description	Qty. / Unit
1	493U55=SK001	Drive control "enAble 40"	1 pc.
2	RR01.859.20.015	Cap screw DIN 912, M5x35, electrogalvanized*	2 pcs
3	507U15=M5	Washer DIN 125, 6.4, galvanized**	6 pcs

\* Please order 2 pieces

\*\* Please order 6 pieces



Item	Art. no.	Description	Qty. / Unit
	<b>493U55=LK060</b>	<b>Mid-tray control, swing-away to the left side</b> (items 1-4)	<b>1 pc.</b>
no ill.	<b>493U55=RK060</b>	<b>Mid-tray control, swing-away to the right side</b>	<b>1 pc.</b>
	<b>493U55=LV071</b>	<b>Mid-tray control, left, without control panel</b> (items 1-3)	<b>1 pc.</b>
no ill.	<b>493U55=RV071</b>	<b>Mid-tray control, right, without control panel</b>	<b>1 pc.</b>
1	493U55=SK070	Swivel mechanism	1 pc.
2	493U55=SK069	Tray attachment	1 pc.
3	493U55=LT072	Tray for mid-tray control, left	1 pc.
no ill.	493U55=RT072	Tray for mid-tray control, right	1 pc.
4	493U55=SK012	Plug-on control panel "enAble 40"	1 pc.



Item	Art. no.	Description	Qty. / Unit
	<b>493U55=SK050</b>	<b>Attendant control*</b> (items 1, 4, 5)	<b>1 pc.</b>
1	493U55=SK003	Attendant control "enAble 40" (includes items 2, 3)	1 pc.
2	493U32=ST088	Gaiter for joystick	1 pc.
3	493U55=ST031	Grip for joystick	1 pc.
4	493U55=SV054	Hand rest for attendant control	1 pc.
5	493U55=SK055	Holder for attendant control	1 pc.

\* Only in combination with push handles



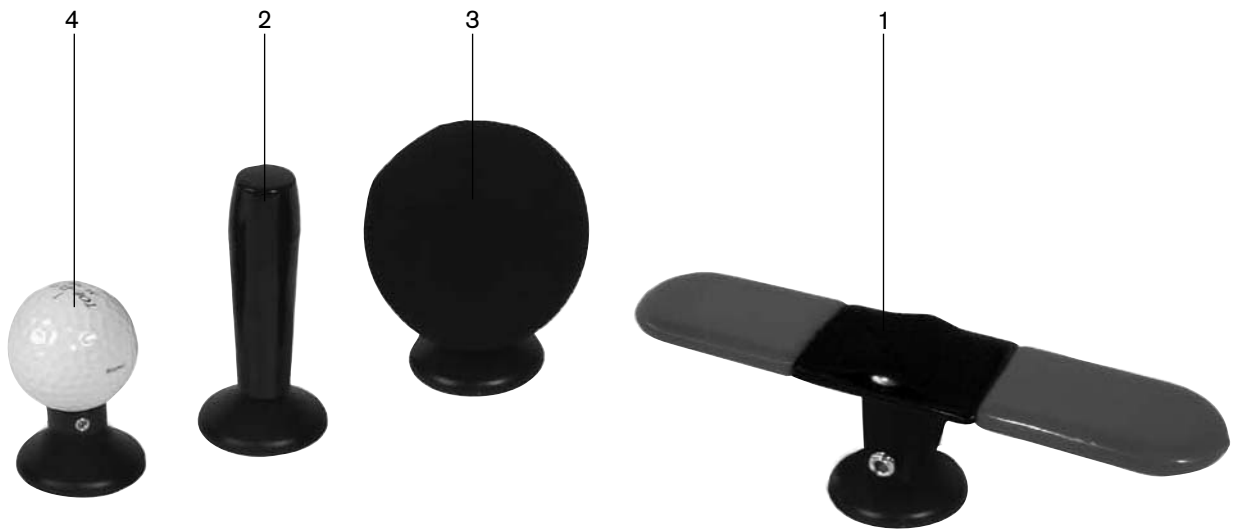
Item	Art. no.	Description	Qty. / Unit
	493U55=SK015	Plug-on control panel holder, standard	1 pc.



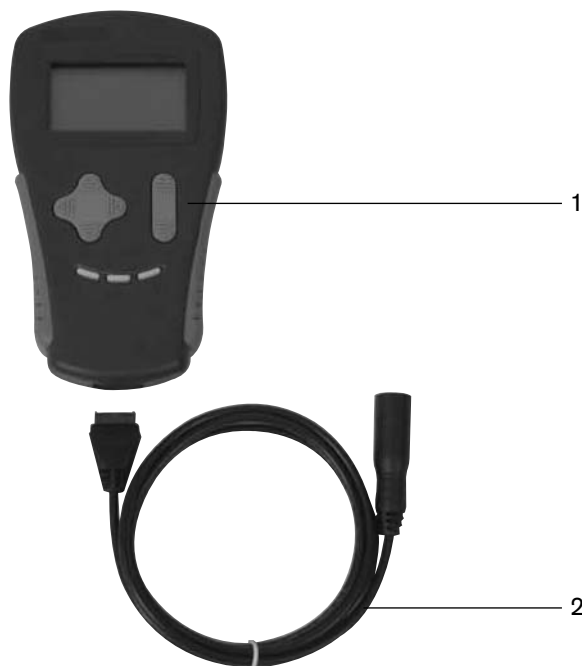
Item	Art. no.	Description	Qty. / Unit
	493U55=SK020	Swing-away control panel holder	1 pc.



Item	Art. no.	Description	Qty. / Unit
	493U55=SK040	Protective bow for control panel	1 pc.



Item	Art. no.	Description	Qty. / Unit
1	493U55=SK045	Tetra fork (hand width 4-8 cm)	1 pc.
2	493U32=ST072	Stick S80 (special joystick handle 80 mm)	1 pc.
3	493U32=SM095	Soft ball (black covered)	1 pc.
4	493U32=SK070	Golf ball control stick, small	1 pc.



Item	Art. no.	Description	Qty. / Unit
	<b>493U55=SK004</b>	<b>Hand programming device for "enAble 40" (items 1, 2)</b>	<b>1 pc.</b>
1	493U36=SK005	Hand programming device (dealer's version)	1 pc.
2	493T55=SK001	Cable for programming device for "enAble 40"	1 pc.



Item	Art. no.	Description	Qty. / Unit
	<b>493U55=SK006</b>	<b>Programming software "enAble 40", includes cable (items 1, 2)</b>	<b>1 pc.</b>
1	493U36=ST193	Programming software	1 pc.
2	493U55=SK013	Programming adapter "enAble 40", PCPS serial	1 set



Item	Art. no.	Description	Qty. / Unit
	493T55=SK014	Adapter cable USB / serial for programming adapter	1 pc.



# ***Accessories***

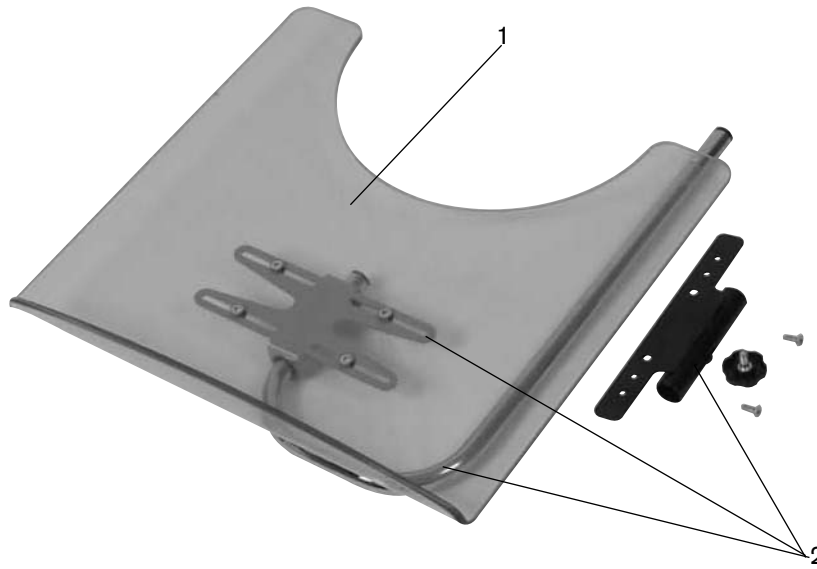


Item	Art. no.	Description	Qty. / Unit
	491S46=SK010	Additional lights	1 pc.

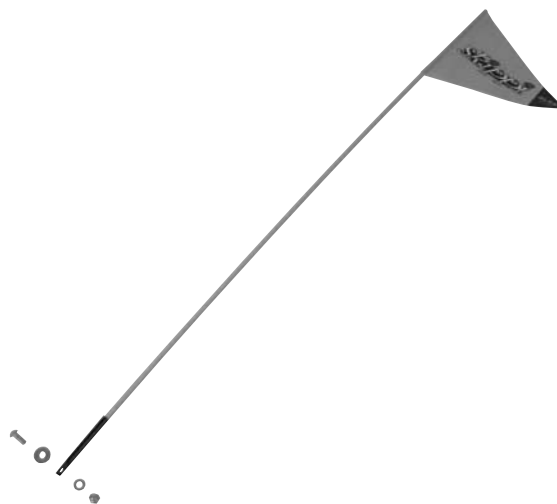


Item	Art. no.	Description	Qty. / Unit
	491S55=SK040	Manual horn "kangaroo"	1 pc.

# Accessories



Item	Art. no.	Description	Qty. / Unit
	<b>491S55=SK020</b>	<b>Tray, swing-away to the side (items 1, 2)</b>	<b>1 pc.</b>
1	491S32=ST031	Tray	1 pc.
2	491S55=SK022	Attachment device for tray, compl.	1 pc.



Item	Art. no.	Description	Qty. / Unit
	491S55=SK030	Pennant	1 pc.



Item	Art. no.	Description	Qty. / Unit
	491S55=SK010	Bumper bar, detachable*	1 pc.

\* Only possible with a lower leg length of maximally 32 cm



Item	Art. no.	Description	Qty. / Unit
	491S46=ST001	Tool kit with tyre pump	1 set

**Hersteller/Manufacturer:**

**Otto Bock HealthCare GmbH**

Max-Näder-Straße 15 · 37115 Duderstadt/Germany

National: Telefon 05527 848-1461/1462/1463 · Fax 05527 848-1460

International: Phone +49-5527-848-1304/1562/1590/1594/3663 · Fax +49-5527-848-1676

e-mail: reha@ottobock.de · www.ottobock.com

**Versandanschrift für Rücksendungen/Address for Returns**

**Otto Bock HealthCare GmbH**

Lindenstraße 13 · 07426 Königsee/Germany



Otto Bock HealthCare GmbH has been certified by the German Society for the Certification of Quality Assurance Systems (DQS)  
in accordance with DIN EN ISO 9001 standard, reg. no. 779 (management system)