

Stealth Products

Mounting Hardware



USER MANUAL



TWBM480

Stealth's User Manual and Maintenance Guide for
the Link Style Armrest Mount

Stealth Products strives for 100% customer satisfaction. Your complete satisfaction is important. Please contact us with feedback or suggested changes that will help improve the quality and usability of our products.

You may reach us at:



Stealth Products, LLC

104 John Kelly Drive, Burnet, TX 78611

Phone: (512) 715-9995

Toll Free: 1(800) 965-9229

Fax: (512) 715-9954

Toll Free: 1(800) 806-1225

info@stealthproducts.com

www.stealthproducts.com



MDSS GmbH

Schiffgraben 41

30175 Hannover, Germany



General

Read and understand all instructions prior to the use of the product. Failure to adhere to instructions and warnings in this document may result in property damage, injury, or death. Product misuse due to failure of the following instructions will void the warranty.

Immediately discontinue use if any function is compromised, parts are missing, loose, or shows signs of excessive wear. Consult with your supplier for repair, adjustment, or replacement.

Important Information!

All persons responsible for fitting, adjustment, and daily use of the devices discussed in these instructions must be familiar with and understand all safety aspects of the devices mentioned. In order for our products to be used successfully, you must:

- Read and understand all instructions and warnings.
- Maintain our products according to our instructions on care and maintenance.
- Devices should be installed and adjusted by a trained technician.

Supplier Reference

Supplier: _____

Telephone: _____

Address: _____

Purchase Date: _____

Model: _____

Before you install or begin using this product, it is important that you read and understand the content of these installation and operating instructions. The installation instructions will guide you through the possibilities with the TWBM480 Armrest Mount.

Instructions are written with the expressed intent of use with standard configurations. They also contain important safety and maintenance information. For further assistance, or more advanced applications, please contact your supplier or Stealth Products at (512) 715-9995 or toll free at 1-800-965-9229.

Always keep the operating instructions in a safe place so they may be referenced as necessary.

All information, pictures, illustrations, and specifications are based on the product information that was available at the time of printing. Pictures and illustrations show in these instructions are representative examples and are not intended to be exact depictions of the various parts of the product.

Ordering Documentation

You can download additional copies of this User Manual on the Stealth website:

www.stealthproducts.com/gui/docs/?type=usr&

Or search:

TWBM480 User Manual in the search bar at the top of the page.

Our products are designed, manufactured, and produced to the highest of standards. If any defect in material or workmanship is found, Stealth Products will repair or replace the product at our discretion. Any implied warranty, including the implied warranties of merchantability and fitness for a particular purpose, shall not extend beyond the duration of this warranty. Stealth Products, LLC does not warrant damage due to, but not limited to:

- Misuse, abuse, or misapplication of products.
- Modification or product without written approval from Stealth Products, LLC.
- Any alteration or lack of serial number, where applicable, will automatically void this warranty.
- Stealth Products, LLC is liable for replacement parts only.
- Stealth Products, LLC is not liable for any incurred labor costs.

No person is authorized to alter, extend, or waive the warranties of Stealth Products, LLC.

Stealth Products warrants against failure due to defective materials or workmanship:

Covers: 180 days

Hardware: 5 years

Electronics: 3 years

In Case of Product Failure

In the event of product failure covered by our warranty, please follow the procedures outlined below:

1. Call Stealth at +1 (512) 715-9995 or toll free +1-800-965-9229.
2. Request the Returns Department or obtain an RA from the Returns Department and follow department or documentation instructions.


1.0 Customer Satisfaction	i
2.0 Important Information.....	ii
3.0 Introduction	iii
4.0 Warranty.....	iv
5.0 Table of Contents.....	v
6.0 Warning Labels	vii
6.1 Warning Labels	vii
6.2 Limited Liability.....	vii
6.3 Testing.....	vii
7.0 Parts and Accessories	viii
7.1 Package Overview.....	viii
8.0 Assembly And Mounting	1
8.1 Hardware Assembly.....	1
8.2 Hardware Mount	2
8.3 TWBM480 Armrest Mount.....	3
8.4 Arm 240 Cane Mount Clamp	3
8.5 Peripheral Mounting	4
9.0 Adjustments.....	5
9.1 Link Adjustment	5
9.2 Depth Adjustment.....	6

10.0 Transit Checklist	7
10.1 Before Transit.....	7
10.2 Pre-Transit.....	7
11.0 First Time Use	8
11.1 Dealer Assistance.....	8
11.2 User Testing.....	8
11.3 Conditions of Use.....	8
12.0 Maintenance	9
12.1 Cleaning and Maintenance.....	9

Warning Labels

6.1

Warnings are included for the safety of the user, client, operator and property. Please read and understand what the signal words **SAFETY**, **NOTICE**, **CAUTION**, **WARNING** and **DANGER** mean, how they could affect the user, those around the user, and property.

 DANGER	Identifies an imminent situation which (if not avoided) will result in severe injury, death, and property damage .
 WARNING	Identifies a potential situation which (if not avoided) will result in severe injury, death, and property damage .
 CAUTION	Identifies a potential situation which (if not avoided) will result in minor to moderate injury, and property damage .
NOTICE	Identifies important information not related to injury, but possible property damage .
SAFETY	Indicates steps or instructions for safe practices, reminders of safe procedures, or important safety equipment that may be necessary.

Limited Liability

6.2

Stealth Products, LLC accepts no liability for personal injury or damage to property that may arise from the failure of the user or other persons to follow the recommendations, warnings, and instructions in this manual.

Testing

6.3

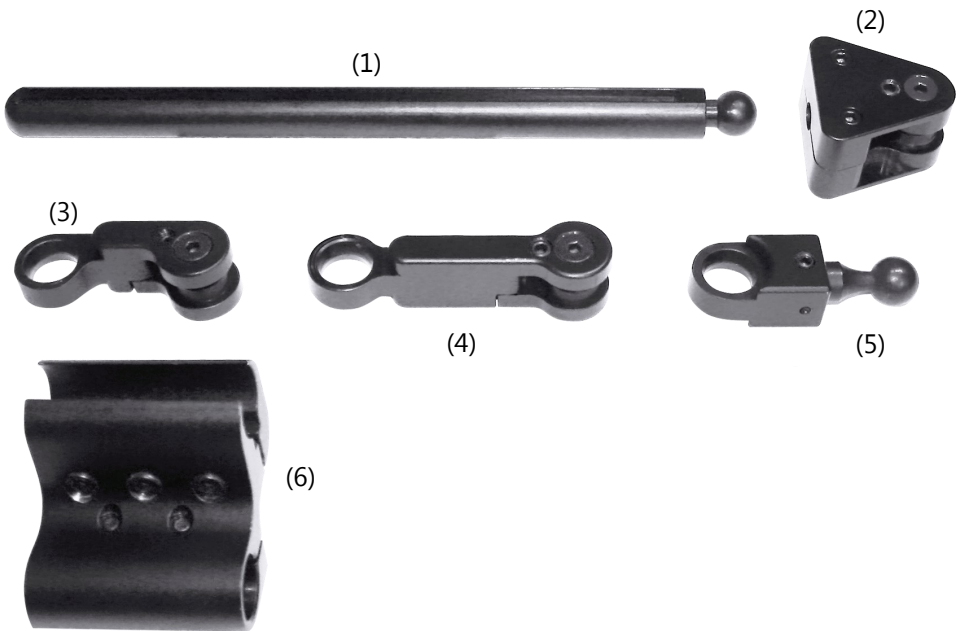
Initial setup and driving should be done in an open area free of obstacles until the user is fully capable of driving safely.

The TWBM480 should always be adjusted without any person sitting in the wheelchair until every alteration of the physical installation or adjustment is complete.

Package Overview

7.1

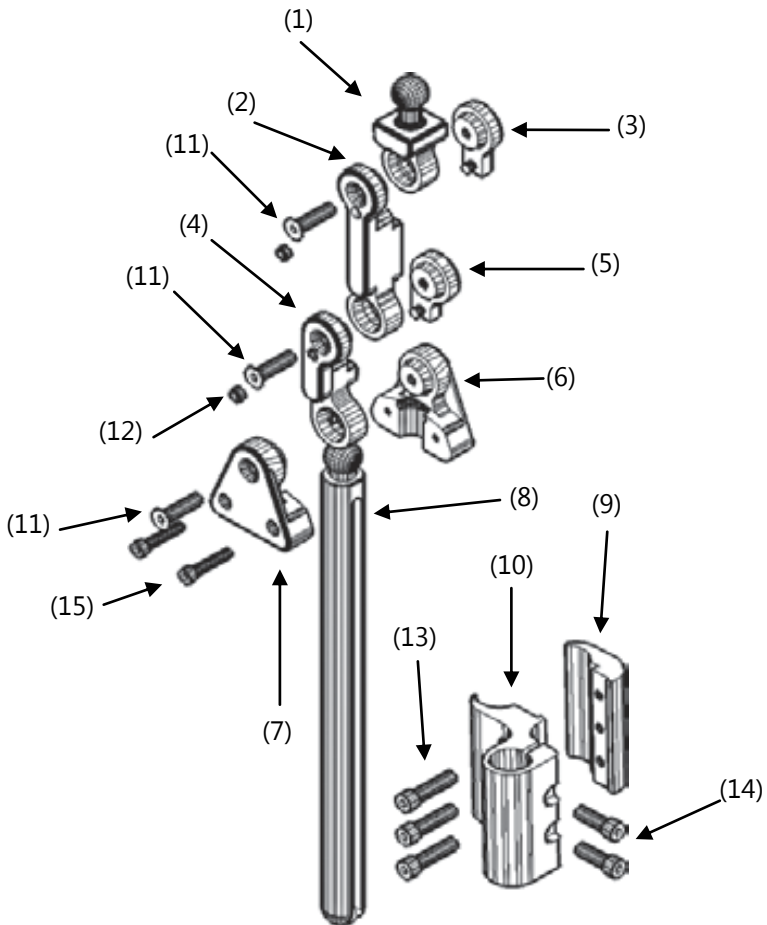
1. TWB480-VB
2. TWB480-TR
3. TWB-SOL
4. TWB-LINK
5. TWB-17mmBK
6. ARM240



Hardware Assembly

8.1

- | | |
|----------------------|--|
| 1. 17mm Ball Kit | 8. 3/4" Rod |
| 2. 3" In-Line Link | 9. Base Plate |
| 3. In-Line Link Nut | 10. ARM240 Clamp Plate |
| 4. 2" Offset Link | 11. 1/4" - 20 x 1" Flat Head Screw |
| 5. Offset Link Nut | 12. 5/16" x 1/4" Set Screw |
| 6. Threaded Triangle | 13. 1/4" - 20 x 1" Socket Head Screw |
| 7. Thru Triangle | 14. 1/4" - 20 x 3/4" Socket Head Screw |
| | 15. 10 - 32 x 1" Socket Head Screw |



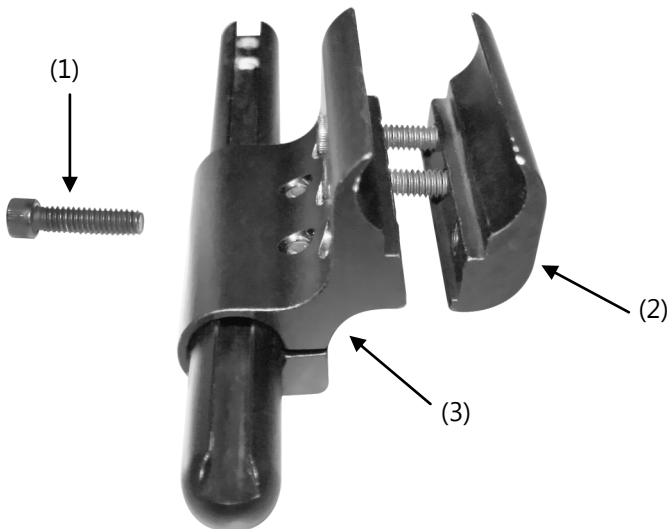
Hardware Mounting

8.2

The ARM240 cane mounting clamp mounts under the armrest and accommodates 3/4", 7/8" and 1" tubing.

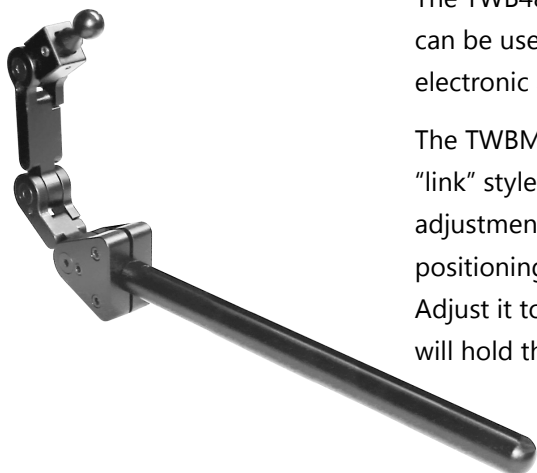
To install the ARM240 plate:

1. Place the screws (1) into the corresponding holes on the Base Plate (2) and ARM240 plate(3). Slightly thread the screws into the holes and leave loose.
2. Place opposing sides of clamps around the armrest tube and completely tighten screws (1) till firmly mounted.



TWBM480 Armrest Mount

8.3



The TWB480 hardware is so versatile that it can be used to add an extra peripheral and electronic almost anywhere!

The TWBM480 series utilizes Stealth's "link" style hardware to provide limitless adjustment. This hardware makes positioning your electronic easy and rigid. Adjust it to the exact spot you need and it will hold the position, NO EXCUSES!

ARM240 Cane Mount Clamp

8.4

The ARM240 is a fixed cane mounting clamp for 3/4", 7/8" and 1" tubing. The hardware mounts under the armrest of a mobility base and in conjunction with the TWBM480, not only does it allow mounting, but it also provides depth adjustment for the hardware as well as the incredible adjustability of the TWB480 link hardware.



Peripheral Mounting

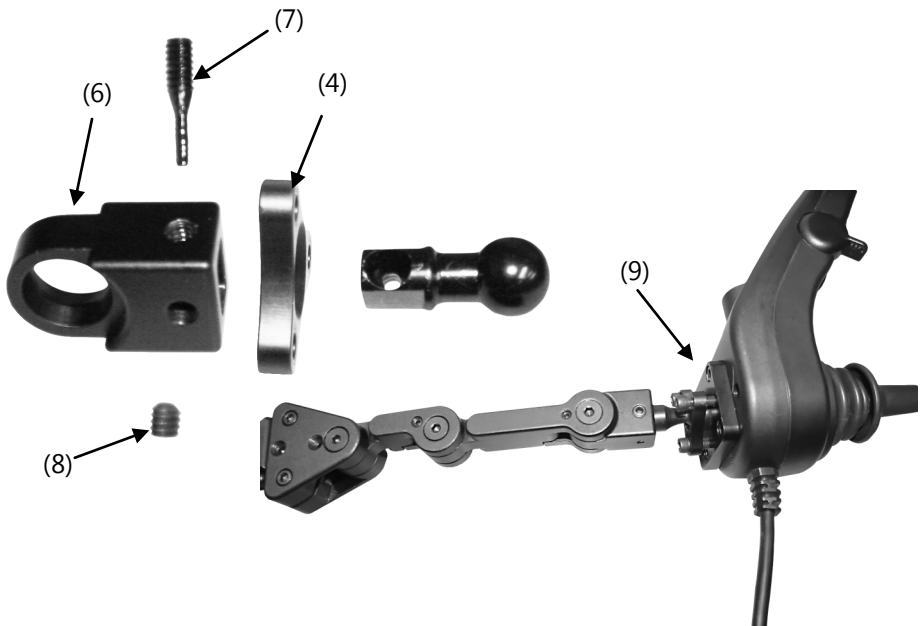
8.5

There are many peripherals, electronics, joysticks, and media devices available to mount onto the TWBM480.

Thru Rings (4) come in many styles to mount your device. Below is an example of mounting a Pride Q-Logic Joystick and interface plate(9).

When mounting:

1. Disassemble the ball kit.
2. Place the ring between the 17mm ball (5) and ball receiver (6).
3. Lastly, tighten the set screw into place to prevent movement.
4. Insert the ball into the receiver, then screw the tapered screw (7) into the corresponding hole.



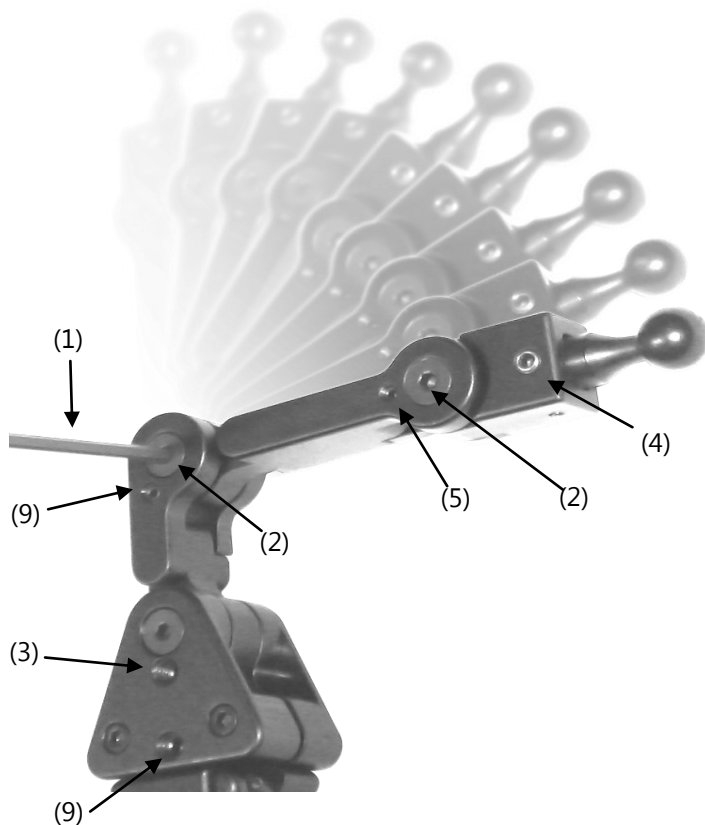
Link Adjustment

9.1

A 5/32" hex key (1) is used to position and adjust links.

To adjust links:

1. Loosen the flat head screws (2) attaching the links together.
2. For rotational and link adjustment of the triangle(3), loosen all screws (including set screws) until you are able to rotate the triangle and adjust the first link.
3. Set screws (4) prevent excess movement of the hardware.
4. To prevent the ball, links, and triangle from moving tighten the set screws until they stop.



WARNING

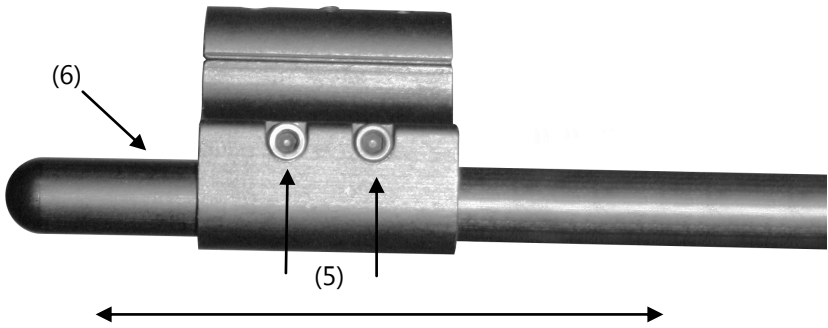
Do not overtighten screws.

Depth Adjustment

9.2

To adjust the before and after position of the hardware:

1. Loosen the two screws (5) holding the 3/4" hardware stem (6).
2. Position the hardware to the desired location.
3. It may be necessary to adjust the hardware further forward or backward on the armrest to achieve the desired position.



! WARNING

Do not overtighten screws.

Before Transit:

10.1

Prior to transporting:

- Always double check the tie-downs and hardware.
- On tie-downs and restraints, look for tears or worn webbing straps.
- Look for damaged hooks or loose tie down hardware.

NOTICE

Replace as necessary and never use torn straps.

- On the seating system, check for loose screws attaching the hardware to the seat. These should be snug and not over tightened.
- The knob hardware should be snug and if transit pins are available, they should be inserted. These pins keep the chair attached to the frame even in the event that a knob were to come loose and come off the chair.
- If there is a tray or any items that can become airborne or cause bodily harm in the event of a crash, relocate and secure them.

Pre-Transit

10.2

- The chair is in a forward facing position.
- All hardware is checked for loose screws or damaged components.
- Check that all tie-down straps are secure and restraints are not twisted.
- Any loose objects are removed and placed in secure areas.
- Seat belt restraints that are compliant with ANSI/RESNA WC/Vol. 4, Section 19/ISO 7176-19 are utilized.

CAUTION

In the event that the chair is ever in an vehicular collision, check all hardware thoroughly for damage. If there are any signs of damage, have a qualified tech inspect and replace the damaged components or send to Stealth Products for a complete overhaul to ensure future safety.

Dealer Assistance

11.1

During first time use by the client, it is advised that the dealer or service technician assists and explains the configurations to the customer (the user and/or the attendant). If needed, the dealer can make final adjustments.

WARNING

The TWBM480-ARM should only be prescribed and fitted by qualified health care professionals.

User Testing

11.2

It is important that the customer is fully aware of the installation, how to use it, and what can be adjusted in order to gain as much mobility as possible. As a dealer, proceed as follows:

- Explain and show the customer how you have executed the installation, and explain the function of every item.

Have the user test the swing away system:

- Is the hardware in the proper position for the client?
- Can the user safely operate the wheelchair with minimal effort?
- Is the placement of the hardware in an optimal position for the user?

If needed, adjust the TWBM480 to the proper position.

Explain to the customer possible problems and how to address them.

Conditions of Use

11.3

The TWBM480 is intended for use as installed by the dealer, in accordance to the installation instructions in this manual.

- The foreseen conditions of use are communicated by the dealer or service technician to the user and/or attendant during first time use.
- If the usage conditions change significantly, please contact your dealer or a qualified service technician to avoid excessive wear and tear or unintended damage.

Cleaning and Maintenance

12.1

- Ensure the hardware you are using stays in working order by keeping it cared for and maintained.
- Periodically check the hardware for loose screws or worn parts.

NOTICE

Replace or repair the parts as needed.

- To clean, use general household cleaners.
- Tighten set screws until they are snug.

NOTICE

Do not overtighten screws. Overtightening will prevent hardware from functioning properly and could irreversibly damage the hardware.

 **DANGER**

Failure to comply with these warnings could result in serious bodily harm.



Stealth Products, LLC. • info@stealthproducts.com • www.stealthproducts.com
+1(800) 965-9229 | +1(512) 715-9995 | 104 John Kelly Drive, Burnet TX 78611