

FOCUS *CR* TECHGUIDE



Center Of Gravity

Center Of Gravity Adjustment.....	3
Center Of Gravity Field Adjustment Table.....	4
Initial CG, Caster Arm and Axle Plate Set Up	5
Caster Arm and Axle Position Adjustment.....	6
CG Position to Caster Arm Position	7

Seat Height

Seat to Floor Heights.....	8
Seat Height by Wheel Size - 12" Mag.....	9
Seat Height by Wheel Size - 16" Mag.....	10
Seat Height by Wheel Size - 20" Mag.....	11
Seat Height by Wheel Size - 22" Mag.....	12
Seat Height by Wheel Size - 24" Mag.....	13
Seat Height by Wheel Size - 24" Spoke Wheel	14

Seat to Footrest Lengths

15

Caster - Footplate Compatability

60° Extension Mount Hangers	16
70° Extension Mount Hangers	17
80° Extension Mount Hangers	18
70° Front Mount Hangers.....	19
80° Front Mount Hangers.....	20
90° Front Mount Hangers.....	21

Armrest Heights

Height Adjustable T-Arm Armrest Heights	22
Height Adjustable Flip Back Armrest Heights.....	23
Height Adjustable Flip Up Armrest Heights	24

Backrest Height / Angle

25

Reclining Backrest Height / Angle.....

26

Reclining Backrest Cover Configurations.....

27

Wheel Lock Position.....

28

Frame Depth

29

Frame Width.....

30

Figure 1

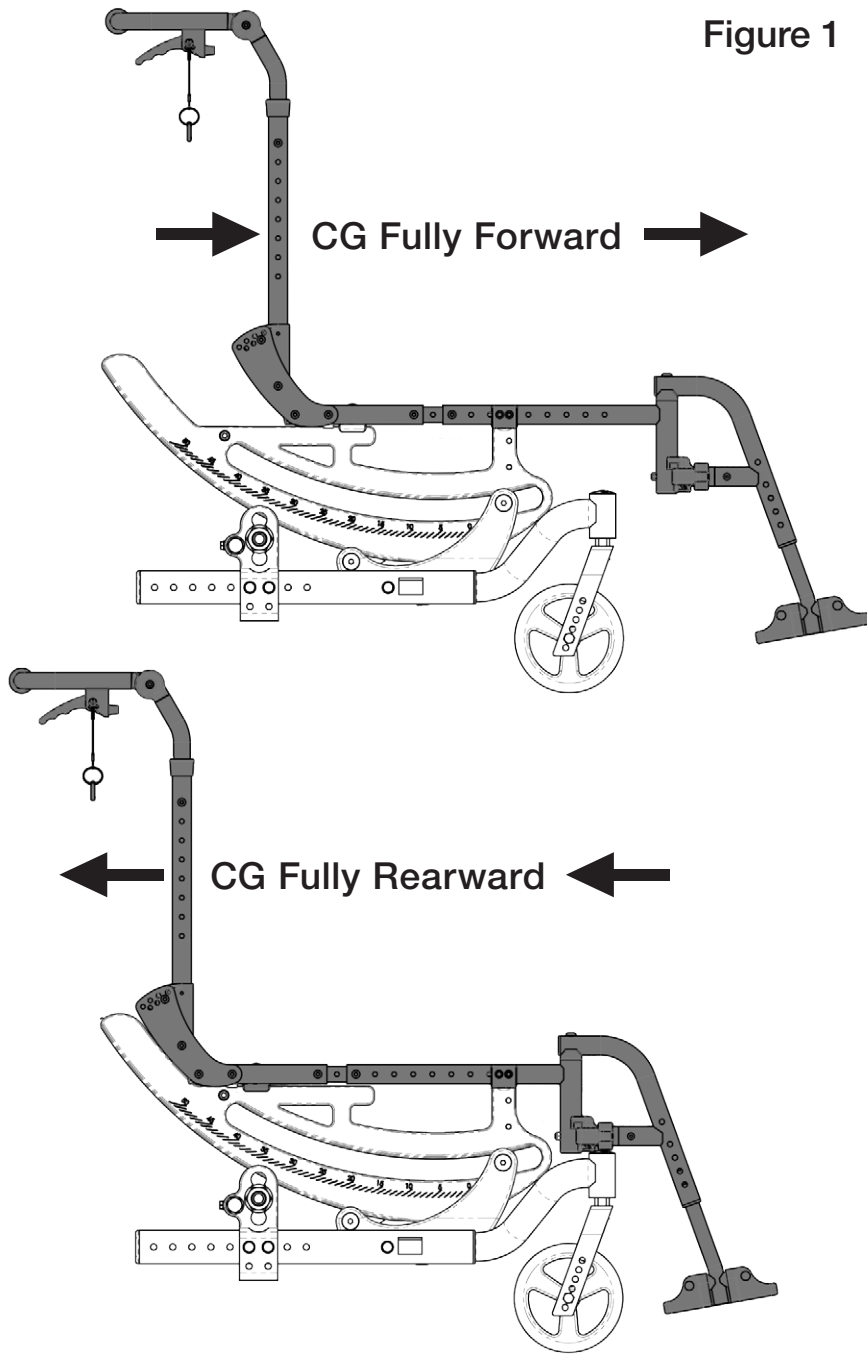


Figure 2

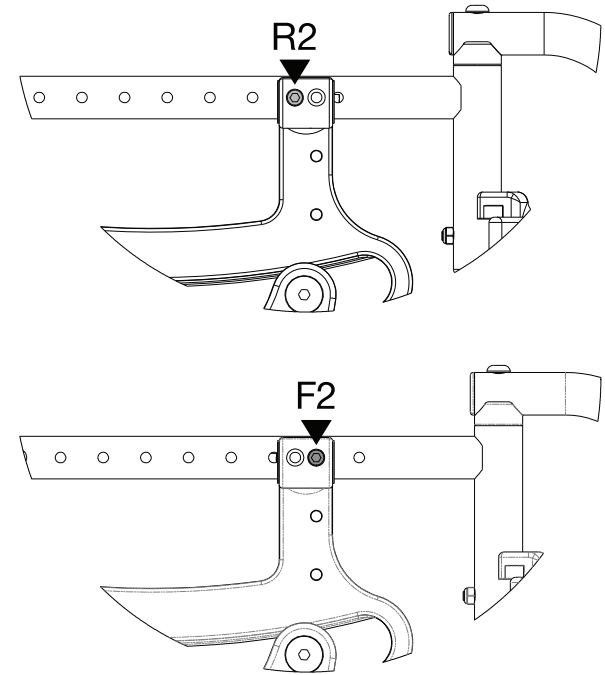
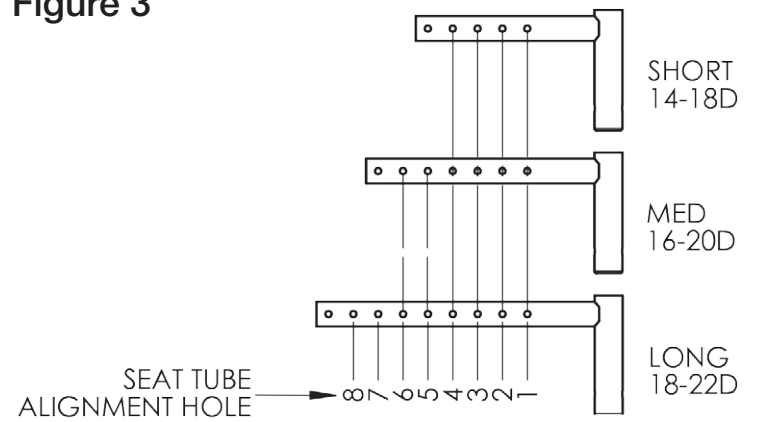


Figure 3



Center of Gravity Adjustment

System Resting Position	Adjustment Required
System Rests Between 50 and 45	3 holes forward
System Rests Between 44 and 35	2 holes forward
System Rests Between 34 and 25	1 hole forward
System Rests Between 24 and 16	Acceptable
System Rests Between 15 and 7	1 holes rearward
System Rests Between 6 and -2	2 holes rearward
System Rests Between -3 and -5	3 holes rearward

***System Includes Seating and End User**

Note: If after making the initial adjustment the system still does not rest in the acceptable range, repeat the procedure following the instructions within the table.

Order Form Input		Work Order Output		
Seat Depth	Frame Width	Seat Frame Position	Caster Position	Axle Plate Position
14	14	F1	1	1*
14	15	F1	1	1*
14	16	F1	1	1*
14	17	F1	1	1*
14	18	F1	1	1*
14	19	F1	1	1*
14	20	F1	1	1*
14	21	F1	1	1*
14	22	F1	1	1*
15	14	F2	1	1*
15	15	F2	1	1*
15	16	R2	1	1*
15	17	R2	1	1*
15	18	F1	1	2*
15	19	F1	1	2*
15	20	F1	1	2*
15	21	F1	1	2*
15	22	F1	1	2*
16	14	F3	1	1*
16	15	R3	1	1*
16	16	R3	1	1*
16	17	F2	1	2*
16	18	F2	1	2*
16	19	R2	1	2*
16	20	R2	1	2*
16	21	F1	1	3
16	22	F1	1	3

Figure Location: Fig. 2 Pg. 3 Fig. 5 Pg. 6 Fig. 6 Pg. 6

Order Form Input		Work Order Output		
Seat Depth	Frame Width	Seat Frame Position	Caster Position	Axle Plate Position
17	14	R4	2	1*
17	15	R4	2	1*
17	16	F3	1	2*
17	17	F3	1	2*
17	18	R3	1	2*
17	19	R3	1	2*
17	20	F2	1	3
17	21	F2	1	3
17	22	R2	1	3
18	14	R5	3	1*
18	15	F4	2	2*
18	16	F4	2	2*
18	17	R4	2	2*
18	18	R4	2	2*
18	19	F3	1	3
18	20	F3	1	3
18	21	R3	1	3
18	22	R3	1	3
19	14	F5	3	2*
19	15	F5	3	2*
19	16	R5	3	2*
19	17	R5	3	2*
19	18	F4	2	3
19	19	F4	2	3
19	20	R4	2	3
19	21	R4	2	3
19	22	F3	1	4

Figure Location: Fig. 2 Pg. 3 Fig. 5 Pg. 6 Fig. 6 Pg. 6

Order Form Input		Work Order Output		
Seat Depth	Frame Width	Seat Frame Position	Caster Position	Axle Plate Position
20	14	F6	4	2*
20	15	R6	4	2*
20	16	R6	4	2*
20	17	F5	3	3
20	18	F5	3	3
20	19	R5	3	3
20	20	R5	3	3
20	21	F4	2	4
20	22	F4	2	4
21	14	R7	4	2*
21	15	R7	4	2*
21	16	F6	4	3
21	17	F6	4	3
21	18	R6	4	3
21	19	R6	4	3
21	20	F5	3	4
21	21	F5	3	4
21	22	R5	3	4
22	14	R8	4	2*
22	15	F7	4	3
22	16	F7	4	3
22	17	R7	4	3
22	18	R7	4	3
22	19	F6	4	4
22	20	F6	4	4
22	21	R6	4	4
22	22	R6	4	4

Figure Location: Fig. 2 Pg. 3 Fig. 5 Pg. 6 Fig. 6 Pg. 6

Seat Depth	Frame Depth for Backrest Offset						
	-2	-1	0	+1	+2	+3	+4
14	N/A	N/A	14	15	16	17	18
15	N/A	14	15	16	17	18	19
16	14	15	16	17	18	19	20
17	15	16	17	18	19	20	21
18	16	17	18	19	20	21	22
19	17	18	19	20	21	22	N/A
20	18	19	20	21	22	N/A	N/A
21	19	20	21	22	N/A	N/A	N/A
22	20	21	22	N/A	N/A	N/A	N/A

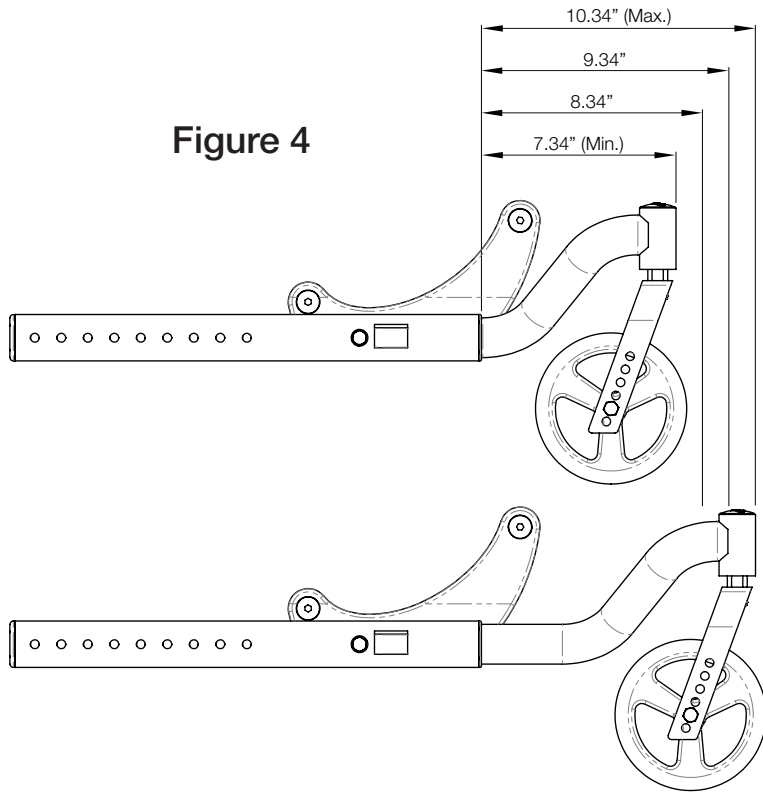


Figure 4

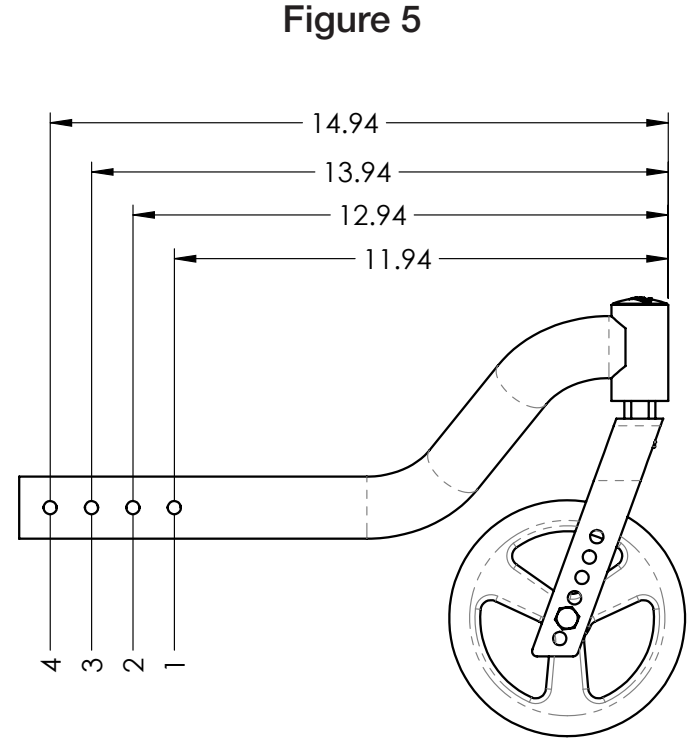


Figure 5

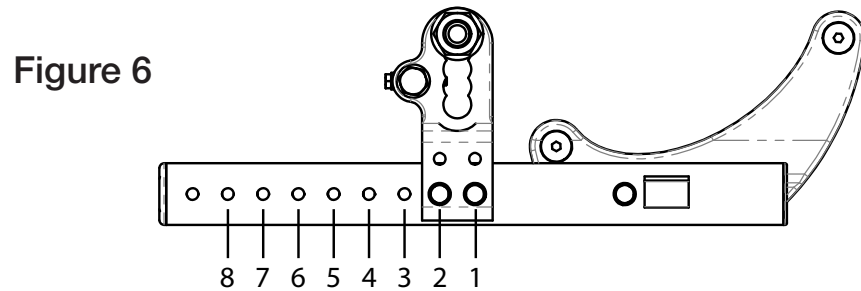
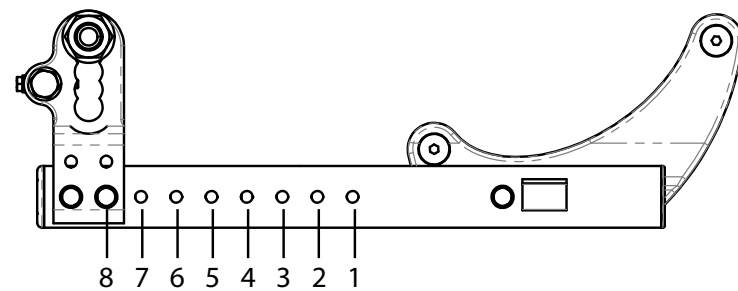


Figure 6



Axle Plate Fully Forward (Pos. 1)

Axle Plate Fully Rearward (Pos. 8)

Seat Frame Position	Caster Position
F1	1
F2	1
R2	1
F3	1
R3	1
F4	2
R4	2
F5	3
R5	3
F6	4
R6	4
F7	4
R7	4
R8	4

* Reference Fig. 4-6 on Pg. 6

Figure 6

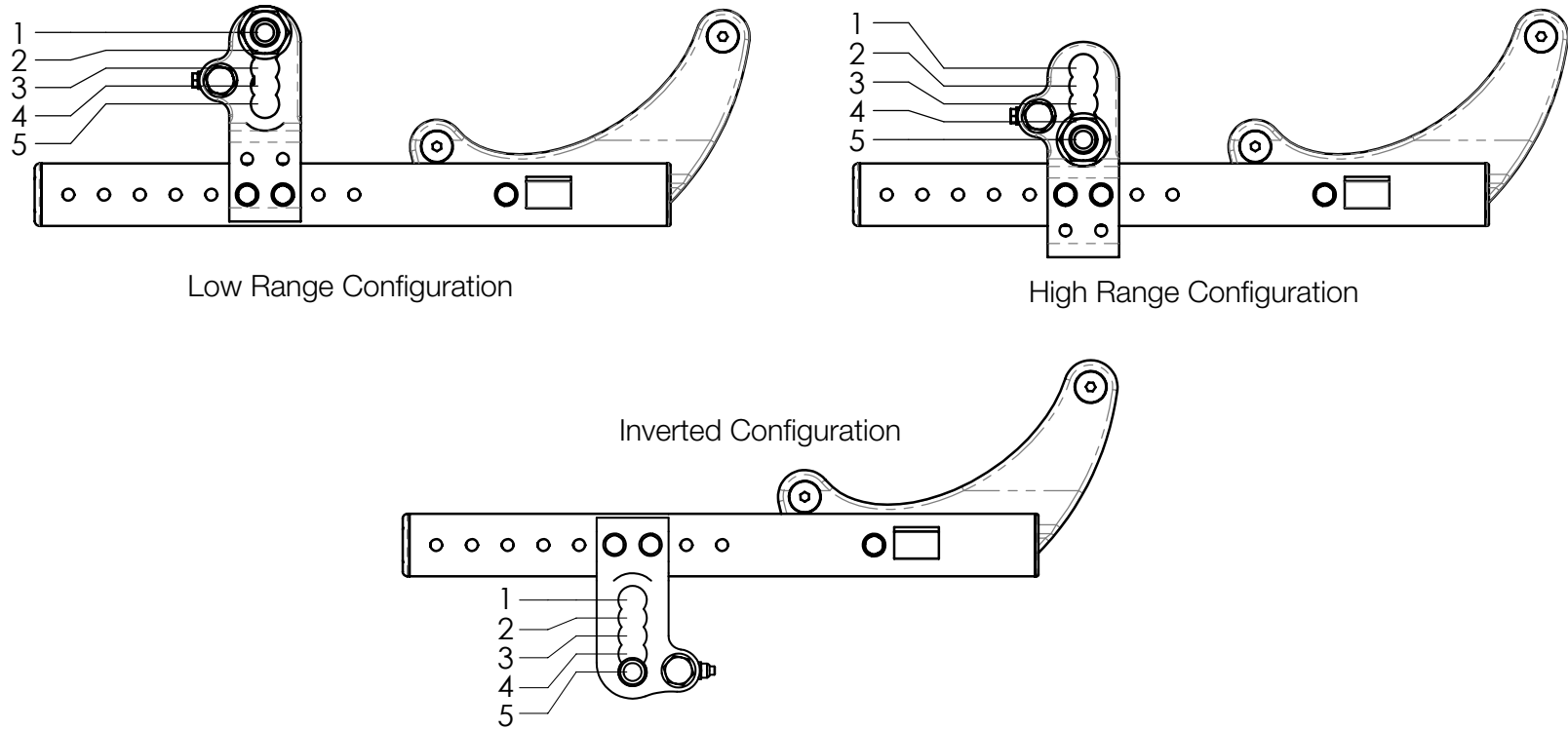
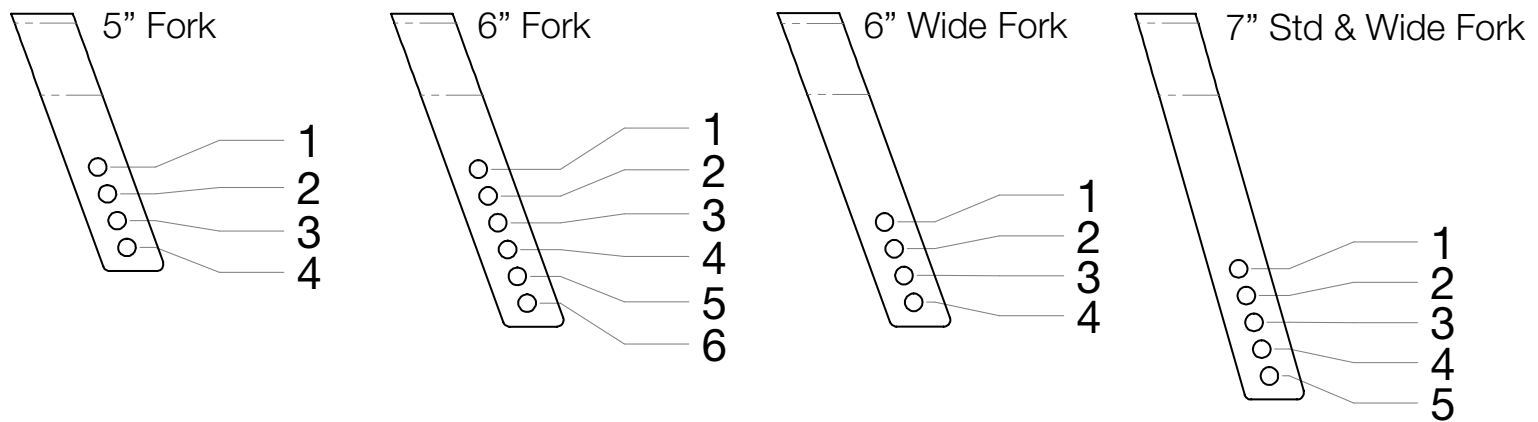


Figure 7



Tire Type	Caster Size	Seat Height	Axle Sleeve	Caster Arm	Caster Fork	Caster Stem	Fork Hole
12" Pneumatic	5	13.5	Lo-5	Std	6	Short	3
		14.5	Hi-5	Std	6	Short	4
		14.5	Hi-5	Std	6	Short	5
		17.5	Inv-1	Hi	6	Short	4
		18	Inv-2	Hi	6	Short	5
		18.5	Inv-3	Hi	6	Tall	4
		19	Inv-4	Hi	6	Tall	5
		19.5	Inv-5	Hi	6	Tall	6
	6	14.5	Hi-5	Std	6	Short	4
		17.5	Inv-1	Hi	6	Short	3
		18	Inv-2	Hi	6	Short	4
		18.5	Inv-3	Hi	6	Short	5
		19	Inv-4	Hi	6	Tall	4
		19.5	Inv-5	Hi	6	Tall	5
	6x2	14.5	Hi-5	Std	6W	Short	2
		17.5	Inv-1	Hi	6W	Short	1
		18	Inv-2	Hi	6W	Short	2
		18.5	Inv-3	Hi	6W	Short	3
		19	Inv-4	Hi	6W	Tall	2
		19.5	Inv-5	Hi	6W	Tall	3
	7	17.5	Inv-2	Std	7	Tall	3
		18	Inv-3	Std	7	Tall	4
		18.5	Inv-3	Hi	6	Short	4
		19	Inv-4	Hi	6	Short	5
		19.5	Inv-5	Hi	6	Short	6
	8	17	Inv-1	Std	7	Tall	1
		17.5	Inv-1	Std	7	Tall	2
		18	Inv-2	Std	7	Tall	3
		18.5	Inv-3	Std	7	Tall	4
		19	Inv-4	Std	7	Tall	5
		19.5	Inv-5	Hi	7	Short	1
	8x2	17.5	Inv-1	Std	7W	Tall	2
18		Inv-2	Std	7W	Tall	3	
18.5		Inv-3	Std	7W	Tall	4	
19		Inv-4	Std	7W	Tall	5	
19.5		Inv-5	Hi	7W	Short	2	

* Reference Fig. 6 & 7 on Pg. 8

Tire Type	Caster Size	Seat Height	Axle Sleeve	Caster Arm	Caster Fork	Caster Stem	Fork Hole
12" Low Poly	5	16.5	Inv-1	Hi	5	Short	2
		17	Inv-2	Hi	5	Short	3
		17.5	Inv-3	Hi	6	Short	4
		18	Inv-4	Hi	6	Short	5
		18.5	Inv-5	Hi	6	Short	6
		19	Inv-5	Hi	7	Short	3
		19.5	Inv-5	Hi	7	Short	3
	6	16.5	Inv-1	Std	7	Tall	2
		17	Inv-2	Std	7	Tall	3
		17.5	Inv-2	High	6	Short	3
		18	Inv-3	High	6	Short	4
		18.5	Inv-4	High	6	Short	5
	6x2	19	Inv-5	High	6	Short	6
		16.5	Inv-1	Std	7W	Tall	2
		17	Inv-2	Std	7W	Tall	3
		17.5	Inv-3	High	6W	Short	1
		18	Inv-4	High	6W	Short	2
		18.5	Inv-5	High	6W	Short	3
	7	19	Inv-5	High	6W	Short	4
		16.5	Inv-1	Std	7	Short	3
		17	Inv-2	Std	7	Short	4
		17.5	Inv-3	Std	7	Tall	3
		18	Inv-4	Std	7	Tall	4
	8	18.5	Inv-5	Std	7	Tall	5
		19	Inv-5	Hi	7	Short	1
		16.5	Inv-1	Std	7	Short	2
		17	Inv-2	Std	7	Short	3
		17.5	Inv-3	Std	7	Tall	2
		18	Inv-4	Std	7	Tall	3
	8x2	18.5	Inv-5	Std	7	Tall	4
		17	Inv-2	Std	7W	Tall	1
		17.5	Inv-3	Std	7W	Tall	2
18		Inv-4	Std	7W	Tall	3	
18.5	Inv-5	Std	7W	Tall	4		

* Reference Fig. 6 & 7 on Pg. 8

Tire Type	Caster Size	Seat Height	Axle Sleeve	Caster Arm	Caster Fork	Caster Stem	Fork Hole
16" Pneumatic	5	13	Lo-1	Std	5	Short	2
		13.5	Lo-2	Std	5	Short	3
		14	Hi-1	Std	6	Short	4
		14.5	Hi-2	Std	6	Short	5
		15	Hi-3	Std	6	Short	6
		15.5	Hi-4	Std	6	Tall	4
		16	Hi-5	Std	6	Tall	5
		19	Inv-1	Hi	6	Tall	5
		19.5	Inv-2	Hi	7	Tall	2
		20	Inv-3	Hi	7	Tall	3
	20.5	Inv-4	Hi	7	Tall	4	
	6	14	Hi-1	Std	6	Short	3
		14.5	Hi-2	Std	6	Short	4
		15	Hi-3	Std	6	Short	5
		15.5	Hi-3	Std	6	Tall	3
		16	Hi-4	Std	6	Tall	4
		16.5	Hi-5	Std	6	Tall	5
		19	Inv-1	Hi	6	Tall	4
		19.5	Inv-2	Hi	6	Tall	5
	20	Inv-3	Hi	7	Tall	2	
	20.5	Inv-4	Hi	7	Tall	3	
	6x2	14	Hi-1	Std	6W	Short	1
		14.5	Hi-2	Std	6W	Short	2
		15	Hi-3	Std	6W	Short	3
		15.5	Hi-3	Std	6W	Tall	1
		16	Hi-4	Std	6W	Tall	2
		16.5	Hi-5	Std	6W	Tall	3
		19	Inv-1	Hi	6W	Tall	2
		19.5	Inv-2	Hi	6W	Tall	3
	20	Inv-2	Hi	7W	Short	4	
	20.5	Inv-3	Hi	7W	Short	5	
	7	15	Hi-3	Std	6	Short	4
		15.5	Hi-4	Std	6	Short	5
		16	Hi-5	Std	6	Short	6
		19	Inv-1	Hi	6	Short	5
		19.5	Inv-2	Hi	6	Tall	4
		20	Inv-3	Hi	6	Tall	5
	20.5	Inv-4	Hi	6	Tall	6	
	8	16	Hi-5	Std	7	Short	1
		19	Inv-1	Std	7	Tall	5
		19.5	Inv-1	Hi	7	Short	1
		20	Inv-2	Hi	7	Short	2
20.5	Inv-3	Hi	7	Short	3		
8x2	16	Hi-5	Std	7W	Short	1	
	19	Inv-1	Hi	7W	Short	1	
	19.5	Inv-2	Hi	7W	Short	2	
	20	Inv-3	Hi	7W	Short	3	
20.5	Inv-4	Hi	7W	Short	4		

* Reference Fig. 6 & 7 on Pg. 8

Tire Type	Caster Size	Seat Height	Axle Sleeve	Caster Arm	Caster Fork	Caster Stem	Fork Hole
16" Poly	5	13	Lo-1	Std	5	Short	2
		13.5	Lo-2	Std	5	Short	3
		14	Hi-1	Std	6	Short	4
		14.5	Hi-2	Std	6	Short	5
		15	Hi-3	Std	6	Short	6
		15.5	Hi-3	Std	6	Tall	4
		16	Hi-4	Std	6	Tall	5
		16.5	Hi-5	Std	6	Tall	6
		19	Inv-1	Hi	6	Tall	5
		19.5	Inv-2	Hi	7	Tall	2
	20	Inv-3	Hi	7	Tall	3	
	20.5	Inv-4	Hi	7	Tall	4	
	6	14	Hi-1	Std	6	Short	3
		14.5	Hi-2	Std	6	Short	4
		15	Hi-3	Std	6	Short	5
		15.5	Hi-3	Std	6	Tall	3
		16	Hi-4	Std	6	Tall	4
		16.5	Hi-5	Std	6	Tall	5
		19	Inv-1	Hi	6	Tall	4
		19.5	Inv-2	Hi	6	Tall	5
	20	Inv-3	Hi	7	Tall	2	
	20.5	Inv-4	Hi	7	Tall	3	
	6x2	14	Hi-1	Std	6W	Short	1
		14.5	Hi-2	Std	6W	Short	2
		15	Hi-3	Std	6W	Short	3
		15.5	Hi-3	Std	6W	Tall	1
		16	Hi-4	Std	6W	Tall	2
		16.5	Hi-5	Std	6W	Tall	3
		19	Inv-1	Hi	6W	Tall	2
		19.5	Inv-2	Hi	6W	Tall	3
	20	Inv-2	Hi	7W	Short	4	
	20.5	Inv-3	Hi	7W	Short	5	
	7	15	Hi-3	Std	6	Short	4
		15.5	Hi-4	Std	6	Short	5
		16	Hi-5	Std	6	Short	6
		16.5	Hi-5	Std	6	Tall	4
		19.5	Inv-2	Hi	6	Tall	4
		20	Inv-3	Hi	6	Tall	5
	20.5	Inv-4	Hi	6	Tall	6	
	8	16	Hi-5	Std	7	Short	1
		19	Inv-1	Std	7	Tall	5
		19.5	Inv-1	Hi	7	Short	1
20		Inv-2	Hi	7	Short	2	
20.5	Inv-3	Hi	7	Short	3		
8x2	16	Hi-5	Std	7W	Short	1	
	16.5	Hi-5	Std	7	Short	2	
	19	Inv-1	Hi	7	Short	1	
	19.5	Inv-2	Hi	7	Short	2	
20	Inv-3	Hi	7	Short	3		
20.5	Inv-4	Hi	7	Short	4		

Tire Type	Caster Size	Seat Height	Axle Sleeve	Caster Arm	Caster Fork	Caster Stem	Fork Hole
20" Pneumatic	5	15	Lo-1	Std	6	Short	6
		15.5	Lo-1	Std	6	Tall	4
		16	Lo-2	Std	6	Tall	5
		16.5	Hi-1	Hi	5	Short	2
		17	Hi-2	Hi	5	Short	3
		17.5	Hi-3	Hi	6	Short	4
		18	Hi-4	Hi	6	Short	5
		18.5	Hi-5	Hi	6	Short	6
	6	15	Lo-1	Std	6	Short	5
		15.5	Lo-1	Std	6	Tall	3
		16	Lo-2	Std	6	Tall	4
		16.5	Hi-1	Std	6	Tall	5
		17	Hi-3	Std	7	Tall	3
		17.5	Hi-3	Hi	6	Short	3
		18	Hi-4	Hi	6	Short	4
		18.5	Hi-5	Hi	6	Short	5
	6x2	15	Lo-1	Std	6W	Short	3
		15.5	Lo-1	Std	6W	Tall	1
		16	Lo-2	Std	6W	Tall	2
		16.5	Hi-1	Std	6W	Tall	3
		17	Hi-3	Std	7W	Tall	3
		17.5	Hi-3	Hi	6W	Short	1
		18	Hi-4	Hi	6W	Short	2
		18.5	Hi-5	Hi	6W	Short	3
	7	15	Lo-1	Std	6	Short	4
		15.5	Lo-2	Std	6	Short	5
		16	Lo-2	Std	7	Short	2
		16.5	Hi-1	Std	7	Short	3
		17	Hi-2	Std	7	Short	4
		17.5	Hi-4	Std	7	Tall	3
	8	16	Lo-2	Std	7	Short	1
		16.5	Hi-1	Std	7	Short	2
		17	Hi-2	Std	7	Short	3
		17.5	Hi-3	Std	7	Short	4
	8x2	16	Lo-2	Std	7W	Short	1
		16.5	Hi-1	Std	7W	Short	2
		17	Hi-2	Std	7W	Short	3
		17.5	Hi-3	Std	7W	Short	4
		18	Hi-4	Std	7W	Short	5

* Reference Fig. 6 & 7 on Pg. 8

Tire Type	Caster Size	Seat Height	Axle Sleeve	Caster Arm	Caster Fork	Caster Stem	Fork Hole
20" Poly	5	15	Lo-1	Std	6	Short	6
		15.5	Lo-1	Std	6	Tall	4
		16	Lo-2	Std	6	Tall	5
		16.5	Hi-1	Hi	5	Short	2
		17	Hi-2	Hi	5	Short	3
		17.5	Hi-3	Hi	6	Short	4
		18	Hi-4	Hi	6	Short	5
		18.5	Hi-5	Hi	6	Short	6
	6	15	Lo-1	Std	6	Short	5
		15.5	Lo-1	Std	6	Tall	3
		16	Lo-2	Std	6	Tall	4
		16.5	Hi-1	Std	6	Tall	5
		17	Hi-3	Std	7	Tall	3
		17.5	Hi-3	Hi	6	Short	3
		18	Hi-4	Hi	6	Short	4
		18.5	Hi-5	Hi	6	Short	5
	6x2	15	Lo-1	Std	6W	Short	3
		15.5	Lo-1	Std	6W	Tall	1
		16	Lo-2	Std	6W	Tall	2
		16.5	Hi-1	Std	6W	Tall	3
		17	Hi-3	Std	7W	Tall	3
		17.5	Hi-3	Hi	6W	Short	1
		18	Hi-4	Hi	6W	Short	2
		18.5	Hi-5	Hi	6W	Short	3
	7	15	Lo-1	Std	6	Short	4
		15.5	Lo-2	Std	6	Short	5
		16	Lo-2	Std	7	Short	2
		16.5	Hi-1	Std	7	Short	3
		17	Hi-2	Std	7	Short	4
		17.5	Hi-4	Std	7	Tall	3
	8	16	Lo-2	Std	7	Short	1
		16.5	Hi-1	Std	7	Short	2
		17	Hi-2	Std	7	Short	3
		17.5	Hi-3	Std	7	Short	4
	8x2	16	Lo-2	Std	7W	Short	1
		16.5	Hi-1	Std	7W	Short	2
		17	Hi-2	Std	7W	Short	3
		17.5	Hi-3	Std	7W	Short	4
		18	Hi-4	Std	7W	Short	5

* Reference Fig. 6 & 7 on Pg. 8

Tire Type	Caster Size	Seat Height	Axle Sleeve	Caster Arm	Caster Fork	Caster Stem	Fork Hole
22" Pneumatic	5	16	Lo-1	Std	7	Tall	2
		16.5	Lo-1	Hi	5	Short	2
		17	Lo-2	Hi	5	Short	3
		17.5	Hi-1	Hi	6	Short	4
		18	Hi-2	Hi	6	Short	5
		18.5	Hi-4	Hi	6	Tall	4
		19	Hi-5	Hi	6	Tall	5
		19.5	Hi-5	Hi	7	Short	4
	6	16	Lo-1	Std	7	Tall	1
		16.5	Lo-2	Std	7	Tall	2
		17	Hi-1	Std	7	Tall	3
		17.5	Hi-1	Hi	6	Short	3
		18	Hi-2	Hi	6	Short	4
		18.5	Hi-3	Hi	6	Short	5
		19	Hi-4	Hi	7	Short	2
		19.5	Hi-5	Hi	7	Short	3
	6x2	16	Lo-1	Std	7W	Tall	1
		16.5	Lo-2	Std	7W	Tall	2
		17	Hi-1	Std	7W	Tall	3
		17.5	Hi-1	Hi	6W	Short	1
		18	Hi-2	Hi	6W	Short	2
		18.5	Hi-3	Hi	6W	Short	3
		19	Hi-4	Hi	7W	Short	2
		19.5	Hi-5	Hi	7W	Short	3
	7	16	Lo-1	Std	7	Short	2
		16.5	Lo-2	Std	7	Short	3
		17	Hi-1	Std	7	Short	4
		17.5	Hi-2	Std	7	Tall	3
		18	Hi-3	Std	7	Tall	4
		18.5	Hi-4	Hi	6	Short	4
		19	Hi-5	Hi	6	Short	5
		19.5	Hi-5	Hi	7	Short	2
	8	16	Lo-1	Std	7	Short	1
		16.5	Lo-1	Std	7	Short	2
		17	Lo-2	Std	7	Short	3
		17.5	Hi-1	Std	7	Short	4
		18	Hi-3	Std	7	Tall	3
		18.5	Hi-4	Std	7	Tall	4
		19	Hi-5	Std	7	Tall	5
		19.5	Hi-5	Hi	7	Short	1
	8x2	16.5	Lo-1	Std	7W	Short	2
		17	Lo-2	Std	7W	Short	3
17.5		Hi-1	Std	7W	Short	4	
18		Hi-3	Std	7W	Tall	3	
18.5		Hi-4	Std	7W	Tall	4	
19		Hi-5	Std	7W	Tall	5	

* Reference Fig. 6 & 7 on Pg. 8

Tire Type	Caster Size	Seat Height	Axle Sleeve	Caster Arm	Caster Fork	Caster Stem	Fork Hole
22" Poly	5	16	Lo-1	Std	7	Tall	2
		16.5	Lo-2	Hi	5	Short	2
		17	Hi-1	Hi	5	Short	3
		17.5	Hi-2	Hi	6	Short	4
		18	Hi-3	Hi	6	Short	5
		18.5	Hi-4	Hi	6	Tall	4
		19	Hi-5	Hi	6	Tall	5
		19.5	Hi-5	Hi	7	Short	4
	6	16	Lo-1	Std	7	Tall	1
		16.5	Lo-2	Std	7	Tall	2
		17	Hi-1	Std	7	Tall	3
		17.5	Hi-1	Hi	6	Short	3
		18	Hi-2	Hi	6	Short	4
		18.5	Hi-3	Hi	6	Short	5
		19	Hi-4	Hi	7	Short	2
		19.5	Hi-5	Hi	7	Short	3
	6x2	16	Lo-1	Std	7W	Tall	1
		16.5	Lo-2	Std	7W	Tall	2
		17	Hi-1	Std	7W	Tall	3
		17.5	Hi-2	Hi	6W	Short	1
		18	Hi-3	Hi	6W	Short	2
		18.5	Hi-4	Hi	6W	Short	3
		19	Hi-4	Hi	7W	Short	2
		19.5	Hi-5	Hi	7W	Short	3
	7	16	Lo-1	Std	7	Short	2
		16.5	Lo-2	Std	7	Short	3
		17	Hi-1	Std	7	Short	4
		17.5	Hi-2	Std	7	Tall	3
		18	Hi-3	Std	7	Tall	4
		18.5	Hi-4	Hi	6	Short	4
		19	Hi-5	Hi	6	Short	5
		19.5	Hi-5	Hi	7	Short	2
	8	16	Lo-1	Std	7	Short	1
		16.5	Lo-2	Std	7	Short	2
		17	Hi-1	Std	7	Short	3
		17.5	Hi-2	Std	7	Short	4
		18	Hi-3	Std	7	Tall	3
		18.5	Hi-4	Std	7	Tall	4
		19	Hi-5	Std	7	Tall	5
		19.5	Hi-5	Hi	7	Short	1
	8x2	16.5	Lo-1	Std	7W	Short	2
		17	Lo-2	Std	7W	Short	3
17.5		Hi-1	Std	7W	Short	4	
18		Hi-3	Std	7W	Tall	3	
18.5		Hi-4	Std	7W	Tall	4	
19		Hi-5	Std	7W	Tall	5	

* Reference Fig. 6 & 7 on Pg. 8

Tire Type	Caster Size	Seat Height	Axle Sleeve	Caster Arm	Caster Fork	Caster Stem	Fork Hole
24" Mag Pneumatic	5	17	Lo-1	Hi	6	Short	3
		17.5	Lo-2	Hi	6	Short	4
		18	Hi-1	Hi	6	Short	5
		18.5	Hi-2	Hi	6	Tall	4
		19	Hi-3	Hi	6	Tall	5
		19.5	Hi-4	Hi	6	Tall	6
	20	Hi-5	Hi	7	Tall	3	
	6	17	Lo-1	Std	7	Tall	3
		17.5	Lo-2	Hi	6	Short	3
		18	Hi-1	Hi	6	Short	4
		18.5	Hi-2	Hi	6	Short	5
		19	Hi-3	Hi	6	Tall	4
		19.5	Hi-4	Hi	6	Tall	5
	20	Hi-5	Hi	6	Tall	6	
	6x2	17	Lo-1	Std	7W	Tall	3
		17.5	Lo-2	Hi	6W	Short	1
		18	Hi-1	Hi	6W	Short	2
		18.5	Hi-2	Hi	6W	Short	3
		19	Hi-3	Hi	6W	Tall	2
		19.5	Hi-4	Hi	6W	Tall	3
	20	Hi-5	Hi	6W	Tall	4	
	7	17	Lo-1	Std	7	Tall	1
		17.5	Hi-1	Std	7	Tall	3
		18	Hi-2	Std	7	Tall	4
		18.5	Hi-2	Hi	6	Short	4
		19	Hi-3	Hi	6	Short	5
		19.5	Hi-4	Hi	7	Short	2
	20	Hi-5	Hi	7	Short	3	
	8	17	Lo-1	Std	7	Tall	1
		17.5	Lo-2	Std	7	Tall	2
		18	Hi-1	Std	7	Tall	3
		18.5	Hi-2	Std	7	Tall	4
		19	Hi-3	Std	7	Tall	5
		19.5	Hi-4	Hi	7	Short	1
	20	Hi-5	Hi	7	Short	2	
	8x2	17	Lo-1	Std	7W	Tall	1
		17.5	Lo-2	Std	7W	Tall	2
		18	Hi-1	Std	7W	Tall	3
		18.5	Hi-2	Std	7W	Tall	4
		19	Hi-3	Std	7W	Tall	5
		19.5	Hi-4	Hi	7W	Short	2
	20	Hi-5	Hi	7W	Short	3	

* Reference Fig. 6 & 7 on Pg. 8

Tire Type	Caster Size	Seat Height	Axle Sleeve	Caster Arm	Caster Fork	Caster Stem	Fork Hole
24" Mag Poly	5	16.5	Lo-1	Std	7	Tall	3
		17	Lo-1	Hi	6	Short	3
		17.5	Lo-2	Hi	6	Short	4
		18	Hi-1	Hi	6	Short	5
		18.5	Hi-3	Hi	6	Tall	4
		19	Hi-4	Hi	6	Tall	5
		19.5	Hi-5	Hi	6	Tall	6
		20	Hi-5	Hi	7	Tall	3
	6	16.5	Lo-1	Std	7	Tall	2
		17	Lo-2	Std	7	Tall	3
		17.5	Lo-2	Hi	6	Short	3
		18	Hi-1	Hi	6	Short	4
		18.5	Hi-2	Hi	6	Short	5
		19	Hi-4	Hi	6	Tall	4
		19.5	Hi-5	Hi	6	Tall	5
		20	Hi-5	Hi	7	Tall	2
	6x2	16.5	Lo-1	Std	7W	Tall	2
		17	Lo-2	Std	7W	Tall	3
		17.5	Lo-2	Hi	6W	Short	1
		18	Hi-1	Hi	6W	Short	2
		18.5	Hi-2	Hi	6W	Short	3
		19	Hi-4	Hi	6W	Tall	2
		19.5	Hi-4	Hi	7W	Short	3
		20	Hi-5	Hi	7W	Short	4
	7	17	Lo-1	Std	7	Tall	1
		17.5	Hi-1	Std	7	Tall	3
		18	Hi-2	Std	7	Tall	4
		18.5	Hi-2	Hi	6	Short	4
		19	Hi-3	Hi	6	Short	5
		19.5	Hi-4	Hi	7	Short	2
		20	Hi-5	Hi	7	Short	3
		20	Hi-5	Hi	7	Short	3
	8	17	Lo-2	Std	7	Tall	1
		17.5	Hi-1	Std	7	Tall	2
		18	Hi-2	Std	7	Tall	3
		18.5	Hi-3	Std	7	Tall	4
		19	Hi-4	Std	7	Tall	5
		19.5	Hi-4	Hi	7	Short	1
		20	Hi-5	Hi	7	Short	2
		20	Hi-5	Hi	7	Short	2
	8x2	17	Lo-2	Std	7W	Tall	1
		17.5	Hi-1	Std	7W	Tall	2
18		Hi-2	Std	7W	Tall	3	
18.5		Hi-3	Std	7W	Tall	4	
19		Hi-4	Std	7W	Tall	5	
19.5		Hi-4	Hi	7W	Short	1	
20		Hi-5	Hi	7	Short	2	
20		Hi-5	Hi	7W	Short	2	

* Reference Fig. 6 & 7 on Pg. 8

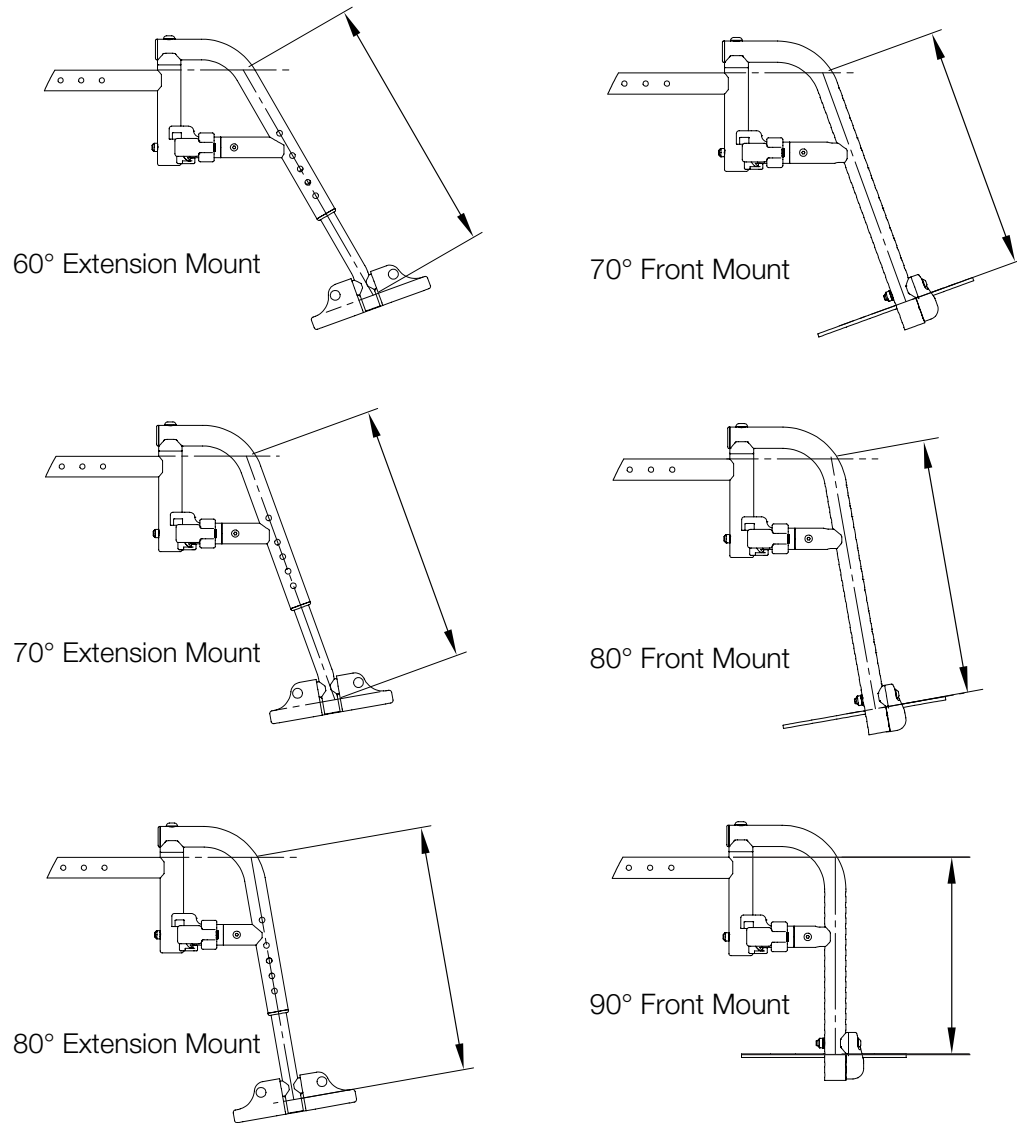
Tire Type	Caster Size	Seat Height	Axle Sleeve	Caster Arm	Caster Fork	Caster Stem	Fork Hole
24" Spoke Pneumatic	5	17	Lo-1	Hi	6	Short	3
		17.5	Lo-2	Hi	6	Short	4
		18	Hi-1	Hi	6	Short	5
		18.5	Hi-2	Hi	6	Tall	4
		19	Hi-3	Hi	6	Tall	5
		19.5	Hi-4	Hi	6	Tall	6
	20	Hi-5	Hi	7	Tall	3	
	6	17	Lo-1	Std	7	Tall	3
		17.5	Lo-2	Hi	6	Short	3
		18	Hi-1	Hi	6	Short	4
		18.5	Hi-2	Hi	6	Short	5
		19	Hi-3	Hi	6	Tall	4
		19.5	Hi-4	Hi	6	Tall	5
	20	Hi-5	Hi	6	Tall	6	
	6x2	17	Lo-1	Std	7W	Tall	3
		17.5	Lo-2	Hi	6W	Short	1
		18	Hi-1	Hi	6W	Short	2
		18.5	Hi-2	Hi	6W	Short	3
		19	Hi-3	Hi	6W	Tall	2
		19.5	Hi-4	Hi	6W	Tall	3
	20	Hi-5	Hi	6W	Tall	4	
	7	17	Lo-1	Std	7	Tall	1
		17.5	Lo-2	Std	7	Tall	3
		18	Hi-1	Std	7	Tall	4
		18.5	Hi-2	Hi	6	Short	4
		19	Hi-3	Hi	6	Short	5
		19.5	Hi-4	Hi	7	Short	2
	20	Hi-5	Hi	7	Short	3	
	8	17	Lo-1	Std	7	Tall	1
		17.5	Lo-2	Std	7	Tall	2
		18	Hi-1	Std	7	Tall	3
		18.5	Hi-2	Std	7	Tall	4
		19	Hi-3	Std	7	Tall	5
		19.5	Hi-4	Hi	7	Short	1
	20	Hi-5	Hi	7	Short	2	
	8x2	17	Lo-1	Std	7W	Tall	1
17.5		Lo-2	Std	7W	Tall	2	
18		Hi-1	Std	7W	Tall	3	
18.5		Hi-2	Std	7W	Tall	4	
19		Hi-3	Std	7W	Tall	5	
19.5		Hi-4	Hi	7W	Short	2	
20	Hi-5	Hi	7W	Short	3		

* Reference Fig. 6 & 7 on Pg. 8

Tire Type	Caster Size	Seat Height	Axle Sleeve	Caster Arm	Caster Fork	Caster Stem	Fork Hole
24" Spoke Poly	5	16.5	Lo-1	Hi	5	Short	2
		17	Lo-2	Hi	6	Short	3
		17.5	Lo-2	Hi	6	Short	4
		18	Hi-1	Hi	6	Short	5
		18.5	Hi-3	Hi	6	Tall	4
		19	Hi-4	Hi	6	Tall	5
		19.5	Hi-5	Hi	6	Tall	6
		20	Hi-5	Hi	7	Short	5
	6	16.5	Lo-1	Std	7	Tall	2
		17	Lo-2	Std	7	Tall	3
		17.5	Lo-2	Hi	6	Short	3
		18	Hi-1	Hi	6	Short	4
		18.5	Hi-2	Hi	6	Short	5
		19	Hi-4	Hi	6	Tall	4
		19.5	Hi-5	Hi	6	Tall	5
		20	Hi-5	Hi	7	Short	5
	6x2	16.5	Lo-1	Std	7W	Tall	2
		17	Lo-2	Std	7W	Tall	3
		17.5	Hi-1	Hi	6W	Short	1
		18	Hi-1	Hi	6W	Short	2
		18.5	Hi-2	Hi	6W	Short	3
		19	Hi-3	Hi	7W	Short	2
		19.5	Hi-4	Hi	7W	Short	3
		20	Hi-5	Hi	7W	Short	4
	7	16.5	Lo-1	Std	7	Short	3
		17	Lo-1	Std	7	Tall	1
		17.5	Hi-1	Std	7	Tall	3
		18	Hi-2	Std	7	Tall	4
		18.5	Hi-3	Hi	6	Short	4
		19	Hi-4	Hi	6	Short	5
		19.5	Hi-4	Hi	7	Short	2
		20	Hi-5	Hi	7	Short	3
	8	17	Lo-2	Std	7	Tall	1
		17.5	Hi-1	Std	7	Tall	2
		18	Hi-2	Std	7	Tall	3
		18.5	Hi-3	Std	7	Tall	4
		19	Hi-4	Std	7	Tall	5
		19.5	Hi-4	Hi	7	Short	1
		20	Hi-5	Hi	7	Short	2
		20	Hi-5	Hi	7	Short	3
	8x2	17	Lo-2	Std	7W	Tall	1
		17.5	Hi-1	Std	7W	Tall	2
		18	Hi-2	Std	7W	Tall	3
		18.5	Hi-3	Std	7W	Tall	4
		19	Hi-4	Std	7W	Tall	5
		19.5	Hi-4	Hi	7W	Short	2
		20	Hi-5	Hi	7W	Short	3
		20	Hi-5	Hi	7W	Short	4

* Reference Fig. 6 & 7 on Pg. 8

Figure 8



Hanger	Extension	Footrest Length		3" Extension
		Min	Max	
60° Extension Mount	Short	10.5"	14"	
	Medium	12"	16"	
	Long	14.5"	18.5"	
70° Extension Mount	Short	10"	13.5"	
	Medium	11.5"	15.5"	
	Long	14"	18"	
80° Extension Mount	Short	9.5"	13.5"	
	Medium	11.5"	15.5"	
	Long	14"	18"	
70° Front Mount	None	2"	11.5"	14.5"
80° Front Mount	None	2.5"	12"	15"
90° Front Mount	None	2.5"	9.5"	12.5"

Composite Footplate

Angle Adjustable Footplate

Hanger Type	Standard Hanger						Offset Hanger					
	5		6		6x2		7		8		8x2	
Caster Size	5	6	6x2	7	8	8x2	5	6	6x2	7	8	8x2
Degrees of Tilt	0	5	0	5	0	5	0	5	0	5	0	5
Seat to Floor Height	13											
	13.5											
	14											
	14.5											
	15											
	15.5											
	16											
	16.5											
	17											
	17.5											
	18											
	18.5											
	19											
	19.5											

Hanger Type	Standard Hanger						Offset Hanger					
	5		6		6x2		7		8		8x2	
Caster Size	5	6	6x2	7	8	8x2	5	6	6x2	7	8	8x2
Degrees of Tilt	0	5	0	5	0	5	0	5	0	5	0	5
Seat to Floor Height	13											
	13.5											
	14											
	14.5											
	15											
	15.5											
	16											
	16.5											
	17											
	17.5											
	18											
	18.5											
	19											
	19.5											

- = No Caster/Footrest Interference
- = Caster/Footrest Interference in **Some** Seat Positions
- = Caster/Footrest Interference in **All** Seat Frame Positions or Seat Height Not Available

Caster - Footplate Compatibility

60° Extension Mount Hangers

Composite Footplate

Angle Adjustable Footplate

Hanger Type		Standard Hanger						Offset Hanger					
Caster Size		5	6	6x2	7	8	8x2	5	6	6x2	7	8	8x2
Degrees of Tilt		0	5	0	5	0	5	0	5	0	5	0	5
Seat to Floor Height	13												
	13.5												
	14												
	14.5												
	15												
	15.5												
	16												
	16.5												
	17												
	17.5												
	18												
	18.5												
	19												
	19.5												

Hanger Type		Standard Hanger						Offset Hanger					
Caster Size		5	6	6x2	7	8	8x2	5	6	6x2	7	8	8x2
Degrees of Tilt		0	5	0	5	0	5	0	5	0	5	0	5
Seat to Floor Height	13												
	13.5												
	14												
	14.5												
	15												
	15.5												
	16												
	16.5												
	17												
	17.5												
	18												
	18.5												
	19												
	19.5												

- = No Caster/Footrest Interference
- ▒ = Caster/Footrest Interference in **Some** Seat Positions
- = Caster/Footrest Interference in **All** Seat Frame Positions or Seat Height Not Available

Caster - Footplate Compatibility 70° Extension Mount Hangers

Composite Footplate

Angle Adjustable Footplate

Hanger Type	Standard Hanger						Offset Hanger					
	5		6		6x2		7		8		8x2	
Caster Size	5	6	6x2	7	8	8x2	5	6	6x2	7	8	8x2
Degrees of Tilt	0	5	0	5	0	5	0	5	0	5	0	5
Seat to Floor Height	13											
	13.5											
	14											
	14.5											
	15											
	15.5											
	16											
	16.5											
	17											
	17.5											
	18											
	18.5											
19												
19.5												

Hanger Type	Standard Hanger						Offset Hanger					
	5		6		6x2		7		8		8x2	
Caster Size	5	6	6x2	7	8	8x2	5	6	6x2	7	8	8x2
Degrees of Tilt	0	5	0	5	0	5	0	5	0	5	0	5
Seat to Floor Height	13											
	13.5											
	14											
	14.5											
	15											
	15.5											
	16											
	16.5											
	17											
	17.5											
	18											
	18.5											
19												
19.5												

- = No Caster/Footrest Interference
- (light gray) = Caster/Footrest Interference in **Some** Seat Positions
- (black) = Caster/Footrest Interference in **All** Seat Frame Positions or Seat Height Not Available

Caster - Footplate Compatibility

80° Extension Mount Hangers

Angle Adjustable Footplate

Hanger Type		Standard Hanger						Offset Hanger									
Caster Size		5	6	6x2	7	8	8x2	5	6	6x2	7	8	8x2				
Degrees of Tilt		0	5	0	5	0	5	0	5	0	5	0	5	0	5	0	5
Seat to Floor Height	13																
	13.5																
	14																
	14.5																
	15																
	15.5																
	16																
	16.5																
	17																
	17.5																
	18																
	18.5																
	19																
	19.5																

□ = No Caster/Footrest Interference

■ = Caster/Footrest Interference in **Some** Seat Positions

■ = Caster/Footrest Interference in **All** Seat Frame Positions or Seat Height Not Available

Caster - Footplate Compatibility

70° Front Mount Hangers

Angle Adjustable Footplate

Hanger Type		Standard Hanger						Offset Hanger									
Caster Size		5	6	6x2	7	8	8x2	5	6	6x2	7	8	8x2				
Degrees of Tilt		0	5	0	5	0	5	0	5	0	5	0	5	0	5	0	5
Seat to Floor Height	13																
	13.5																
	14																
	14.5																
	15																
	15.5																
	16																
	16.5																
	17																
	17.5																
	18																
	18.5																
	19																
	19.5																

- = No Caster/Footrest Interference
- (light gray) = Caster/Footrest Interference in **Some** Seat Positions
- (black) = Caster/Footrest Interference in **All** Seat Frame Positions or Seat Height Not Available

Caster - Footplate Compatibility

80° Front Mount Hangers

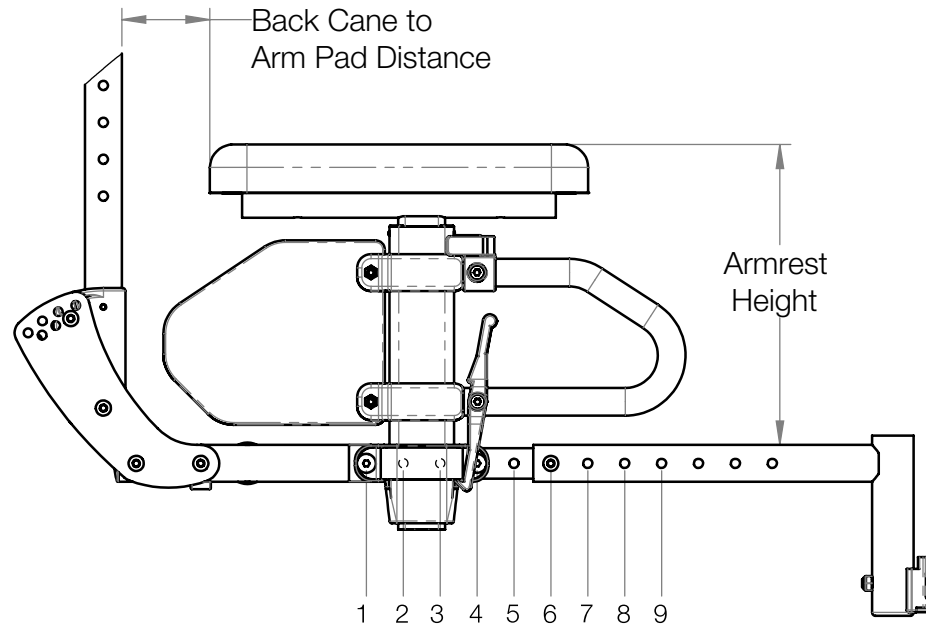
Angle Adjustable Footplate

Hanger Type		Standard Hanger						Offset Hanger																	
		5		6		6x2		7		8		8x2		5		6		6x2		7		8		8x2	
Caster Size		5		6		6x2		7		8		8x2		5		6		6x2		7		8		8x2	
Degrees of Tilt		0	5	0	5	0	5	0	5	0	5	0	5	0	5	0	5	0	5	0	5	0	5	0	5
Seat to Floor Height	13	■	■	■	■	■	■	■	■	■	■	■	■	■	■	■	■	■	■	■	■	■	■	■	
	13.5	■	■	■	■	■	■	■	■	■	■	■	■	■	■	■	■	■	■	■	■	■	■	■	
	14	■	■	■	■	■	■	■	■	■	■	■	■	■	■	■	■	■	■	■	■	■	■	■	
	14.5	■	■	■	■	■	■	■	■	■	■	■	■	■	■	■	■	■	■	■	■	■	■	■	
	15	■	■	■	■	■	■	■	■	■	■	■	■	■	■	■	■	■	■	■	■	■	■	■	
	15.5	■	■	■	■	■	■	■	■	■	■	■	■	■	■	■	■	■	■	■	■	■	■	■	
	16	■	■	■	■	■	■	■	■	■	■	■	■	■	■	■	■	■	■	■	■	■	■	■	
	16.5	■	■	■	■	■	■	■	■	■	■	■	■	■	■	■	■	■	■	■	■	■	■	■	
	17	■	■	■	■	■	■	■	■	■	■	■	■	■	■	■	■	■	■	■	■	■	■	■	
	17.5	■	■	■	■	■	■	■	■	■	■	■	■	■	■	■	■	■	■	■	■	■	■	■	
	18	■	■	■	■	■	■	■	■	■	■	■	■	■	■	■	■	■	■	■	■	■	■	■	
	18.5	■	■	■	■	■	■	■	■	■	■	■	■	■	■	■	■	■	■	■	■	■	■	■	
	19	■	■	■	■	■	■	■	■	■	■	■	■	■	■	■	■	■	■	■	■	■	■	■	
	19.5	■	■	■	■	■	■	■	■	■	■	■	■	■	■	■	■	■	■	■	■	■	■	■	

- = No Caster/Footrest Interference
- = Caster/Footrest Interference in **Some** Seat Positions
- = Caster/Footrest Interference in **All** Seat Frame Positions or Seat Height Not Available

Caster - Footplate Compatibility 90° Front Mount Hangers

Figure 9



Armrest Height Range:
8.14" - 13.14"
 In .5" Increments

Alignment Holes	Back Cane to Arm Pad Distance
1 & 4	2.4"
2 & 5	3.4"
3 & 6	4.4"
4 & 7	5.4"
5 & 8	6.4"
6 & 9	7.4"

Figure 10

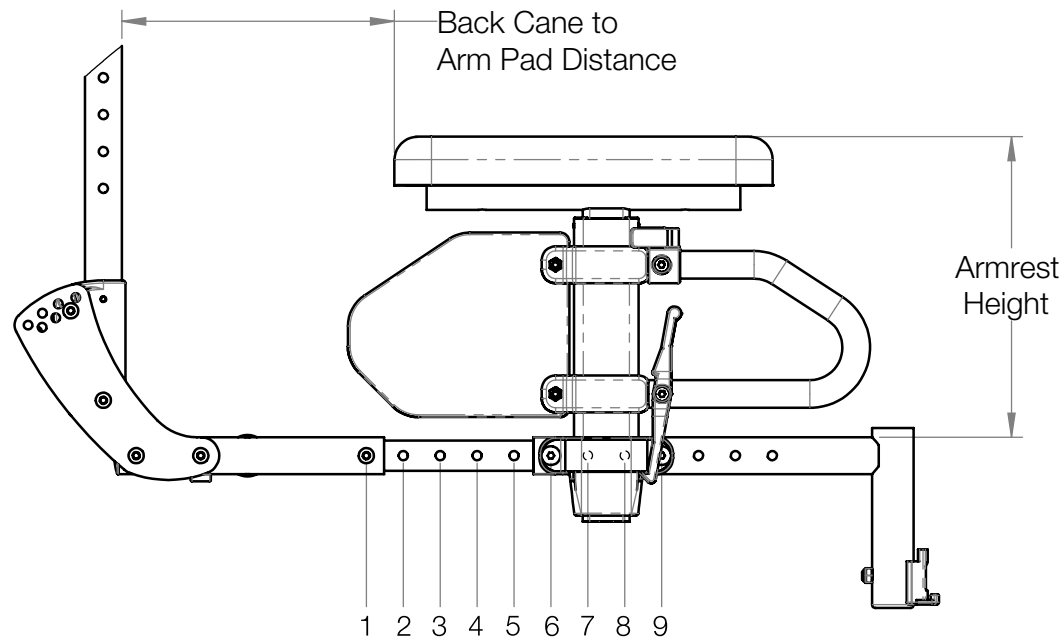
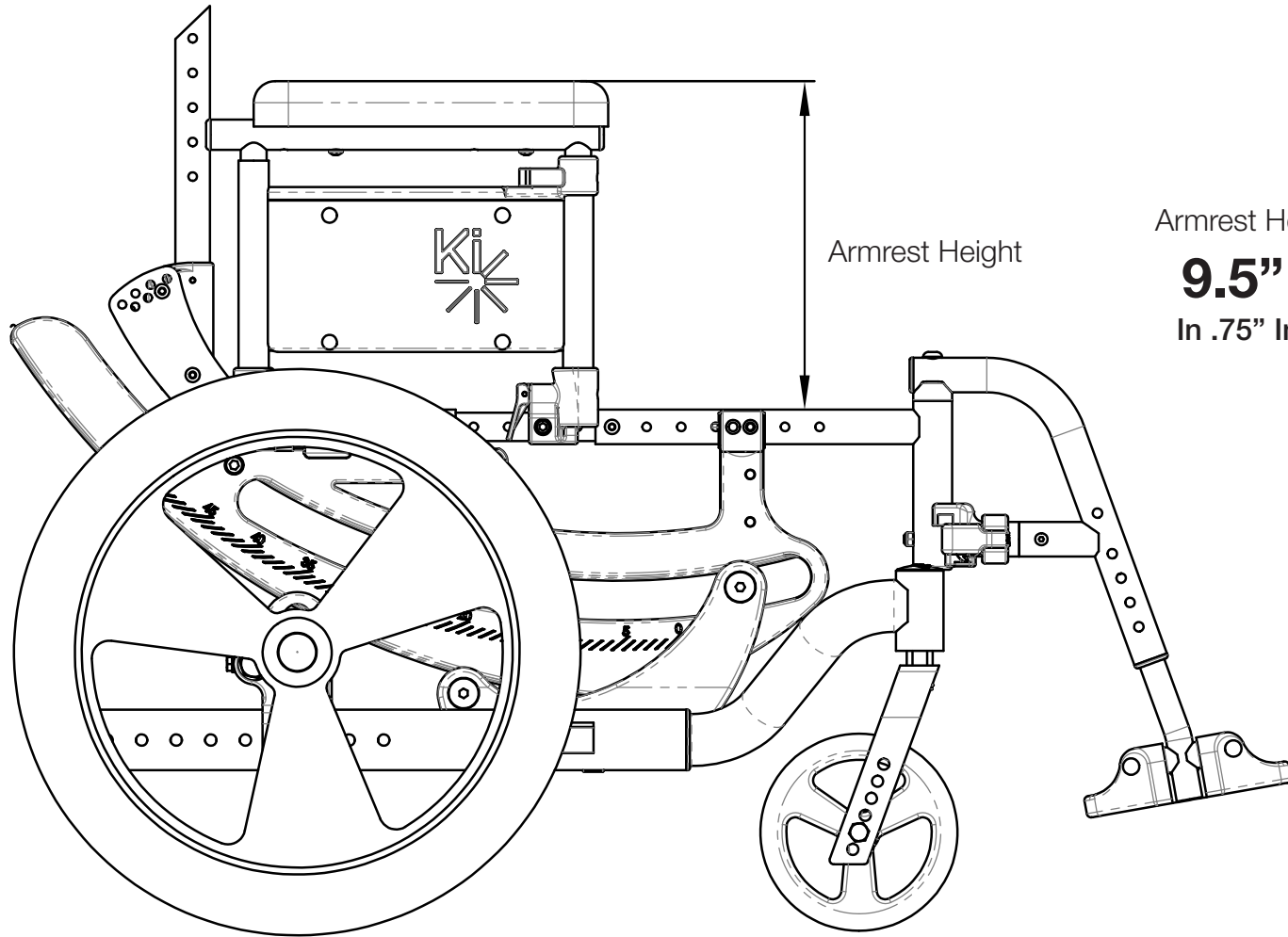


Figure 11



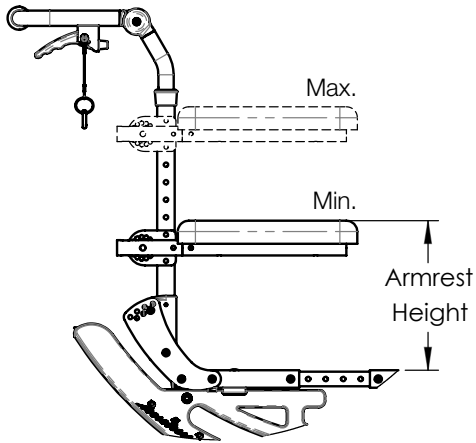
Armrest Height Range:

9.5" - 14"

In .75" Increments

Figure 12

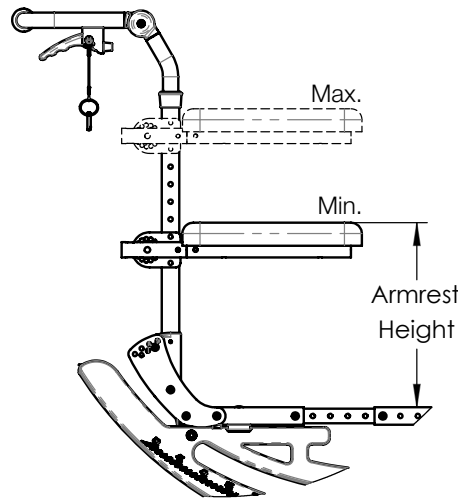
Std Height Adjustable Back



Arm Height Range:
8.5" - 15.0"
 In .5" Increments

Figure 13

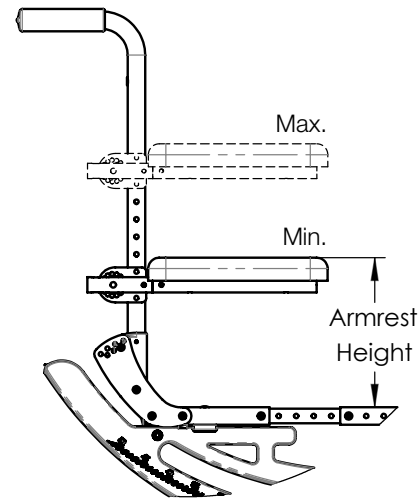
Tall Height Adjustable Back



Arm Height Range:
10.5" - 17.0"
 In .5" Increments

Figure 14

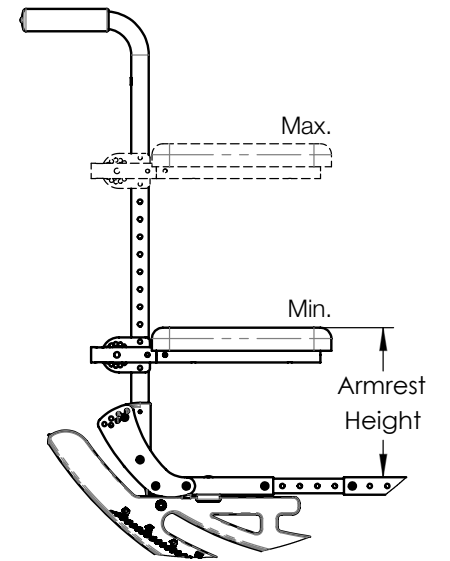
Std Fixed Height Back



Arm Height Range:
8.5" - 15.0"
 In .5" Increments

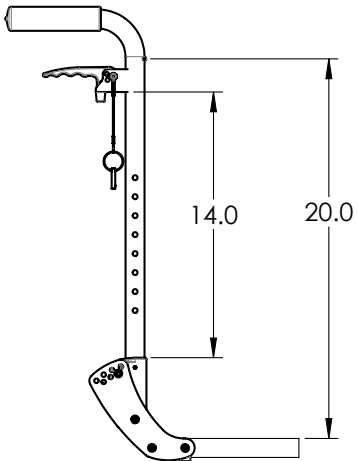
Figure 15

Tall Fixed Height Back



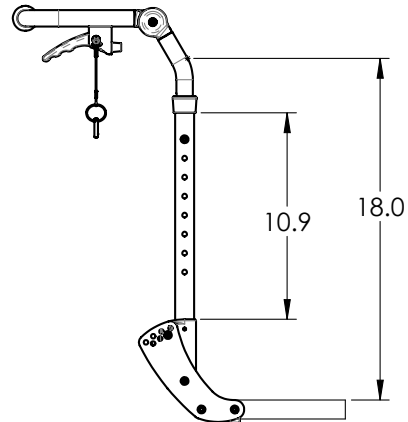
Arm Height Range:
8.5" - 19.0"
 In .5" Increments

Figure 16



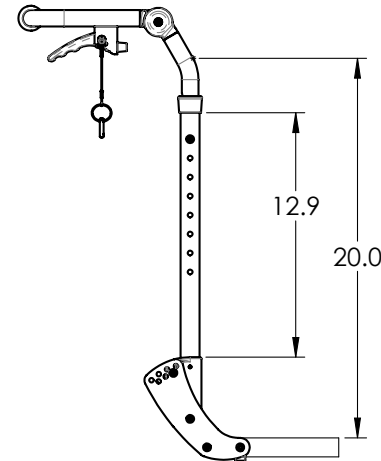
FIXED HEIGHT STD

Figure 17



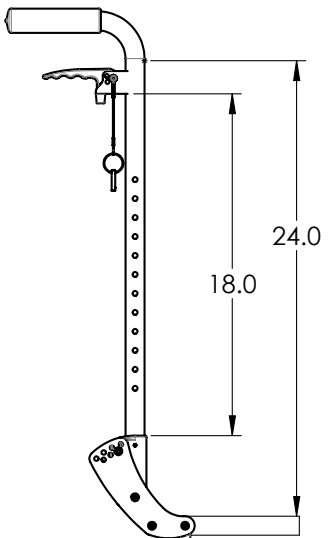
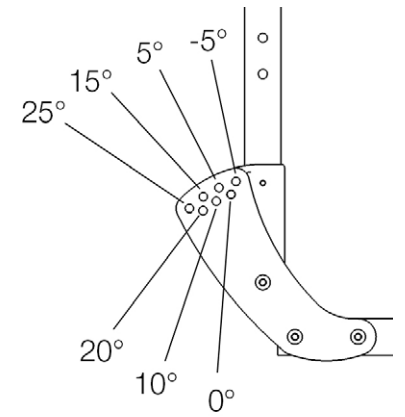
HEIGHT ADJ STD

Figure 18

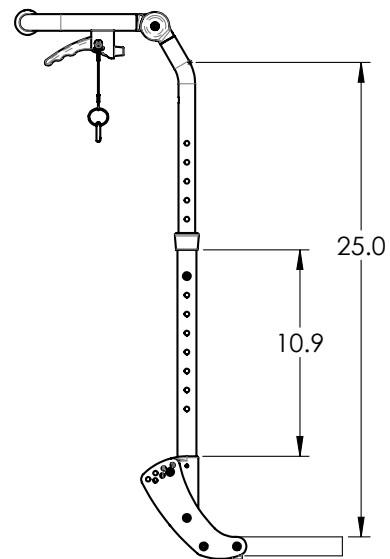


HEIGHT ADJ TALL

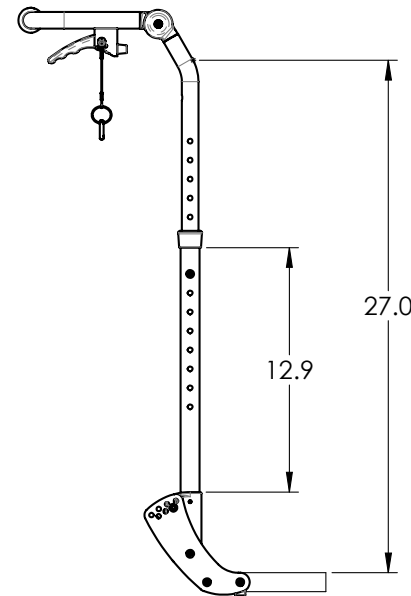
Figure 19



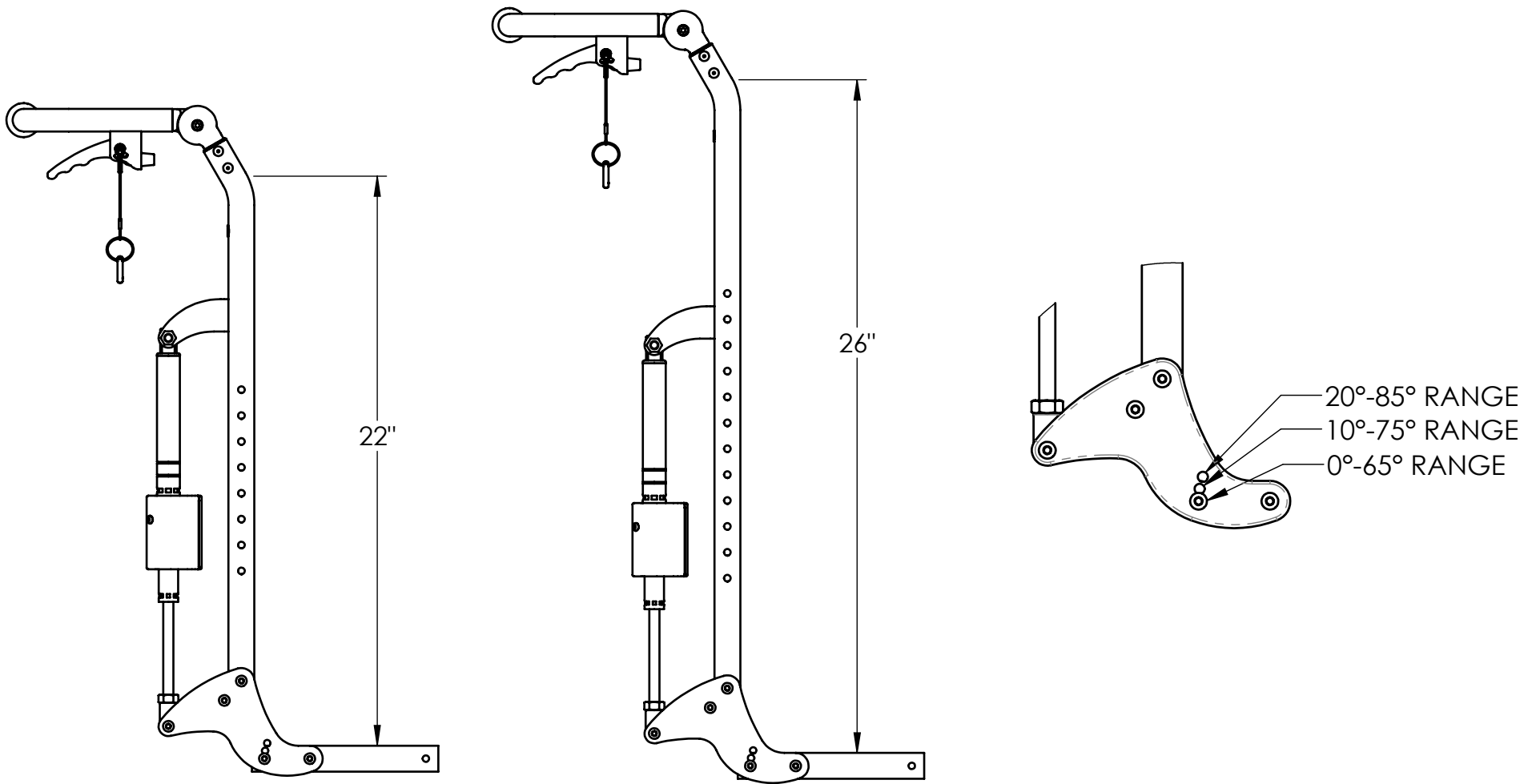
FIXED HEIGHT TALL



HEIGHT ADJ STD (HIGHEST)



HEIGHT ADJ TALL (HIGHEST)



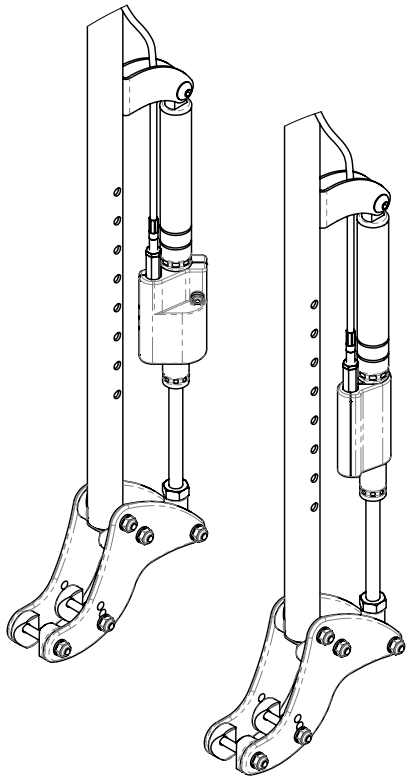


Figure 19
Left & Right
Standard Mount

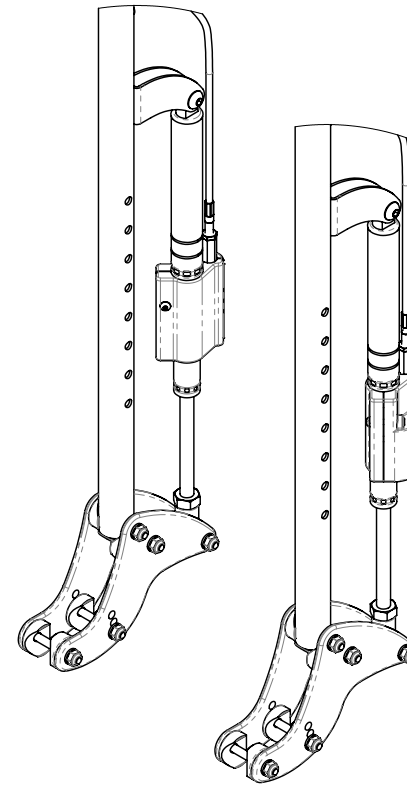


Figure 21
Left & Right
Outboard Mount

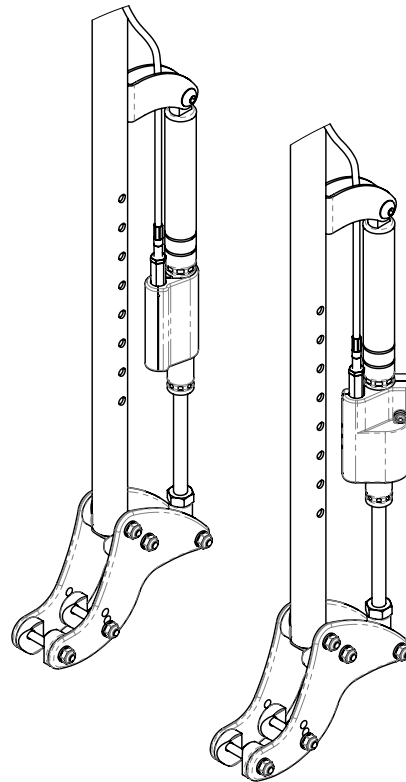
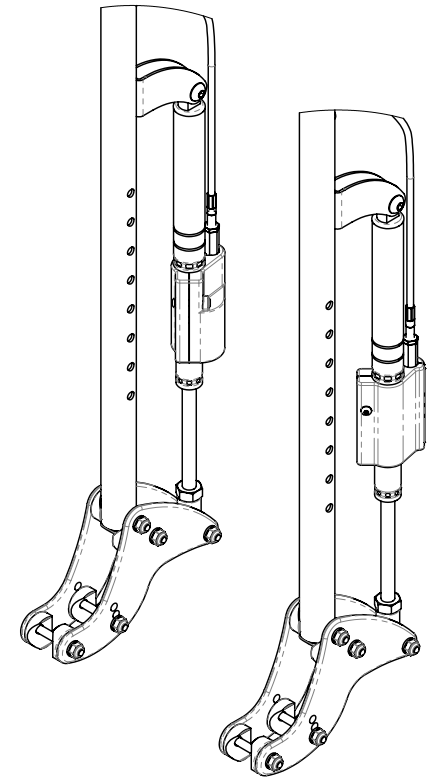


Figure 20
Left & Right
Standard Mount
Reversed

Figure 22
Left & Right
Outboard Mount
Reversed



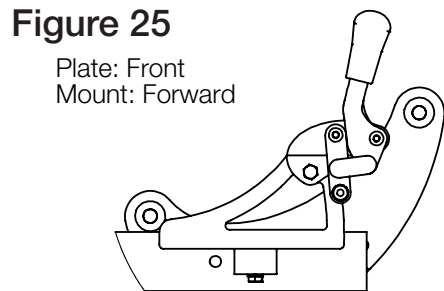
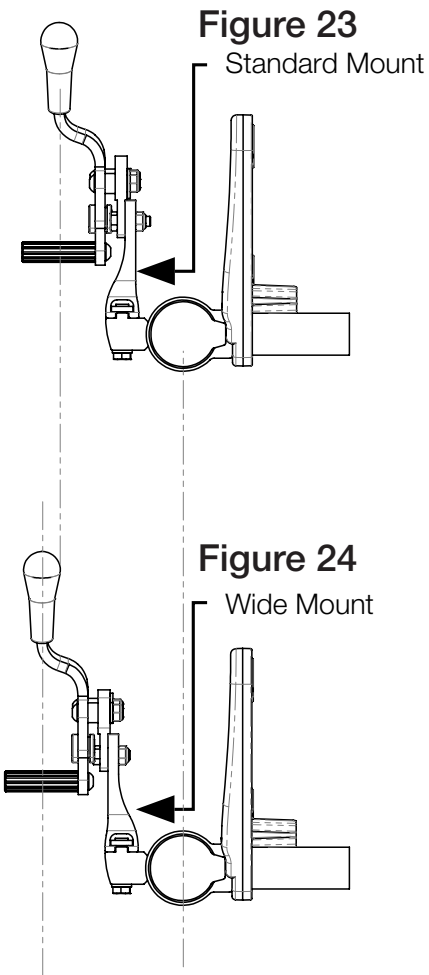


Figure 25
Plate: Front
Mount: Forward

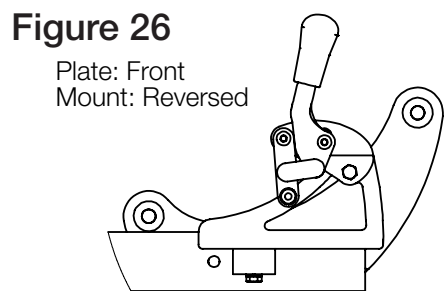


Figure 26
Plate: Front
Mount: Reversed

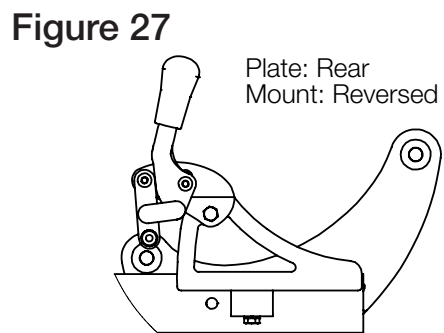


Figure 27
Plate: Rear
Mount: Reversed

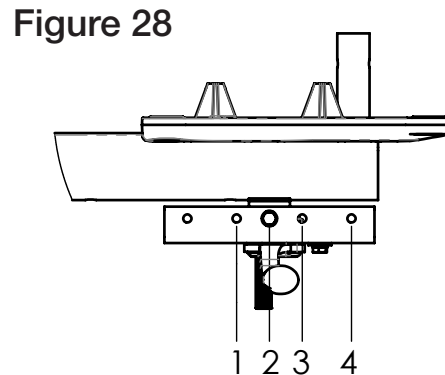


Figure 28

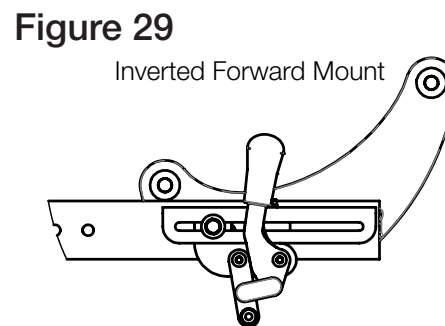


Figure 29
Inverted Forward Mount

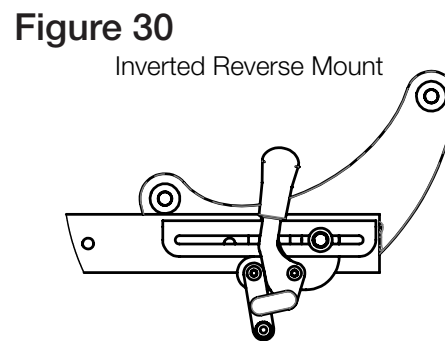


Figure 30
Inverted Reverse Mount

Standard & Wide Mount
Figures 23-27

Wheel Size	Axle Plate Position	Wheel Lock Config.
16 in.	1-2	Front-FWD
	3-5	Front-REV
	6-8	Rear-REV
18 in.	1-2	Front-FWD
	3-5	Front-REV
	6-8	Rear-REV
20 in.	1-4	Front-FWD
	5-7	Front-REV
	8	Rear-REV
22 in.	1	N/A
	2-5	Front-FWD
	6-8	Front-REV
24 in.	1-2	N/A
	3-6	Front-FWD
	7-8	Front-REV

Inverted Mount

Figures 28-30

Wheel Size	Axle Plate Position	Mounting Config.	Hole #
12 in. (poly)	1	REV	2
	2	FWD	2
	3	FWD	3
	4	FWD	4
	5-8	REV	4
12 in. (pneu.)	1	REV	3
	2	REV	2
	3-4	FWD	3
	5-8	REV	4
16 in.	1	FWD	2
	2-3	REV	1
	4	FWD	2
	5	FWD	3
	6	FWD	4
	7-8	REV	3

Wide Mount used for Dual Post Armrest, Foot Wheel Lock and Wider Wheel Spacing as Necessary.

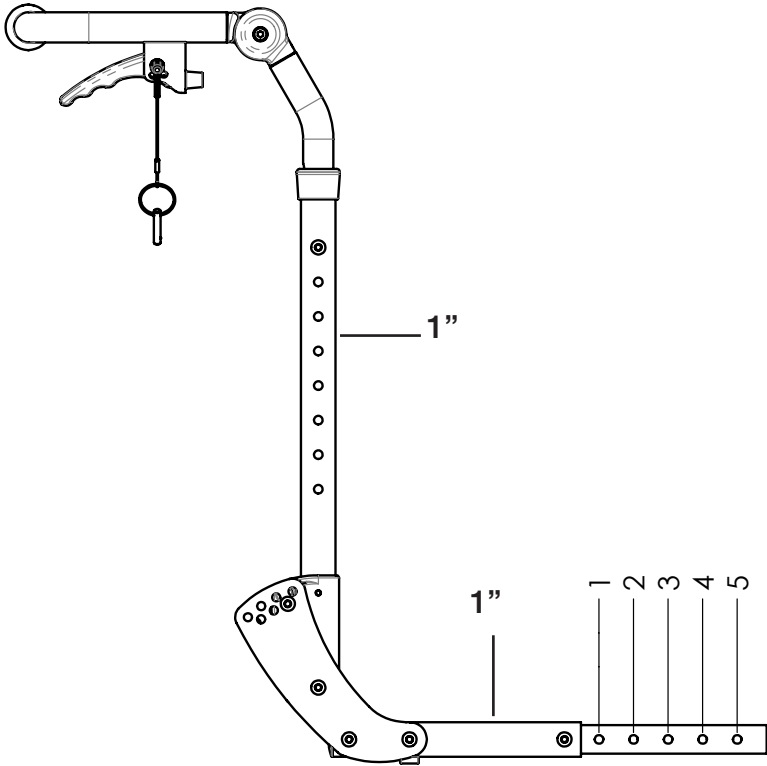


Figure 31

Frame Depth for Frame Size			
Hole #	Short	Medium	Long
1	14	16	18
2	15	17	19
3	16	18	20
4	17	19	21
5	18	20	22

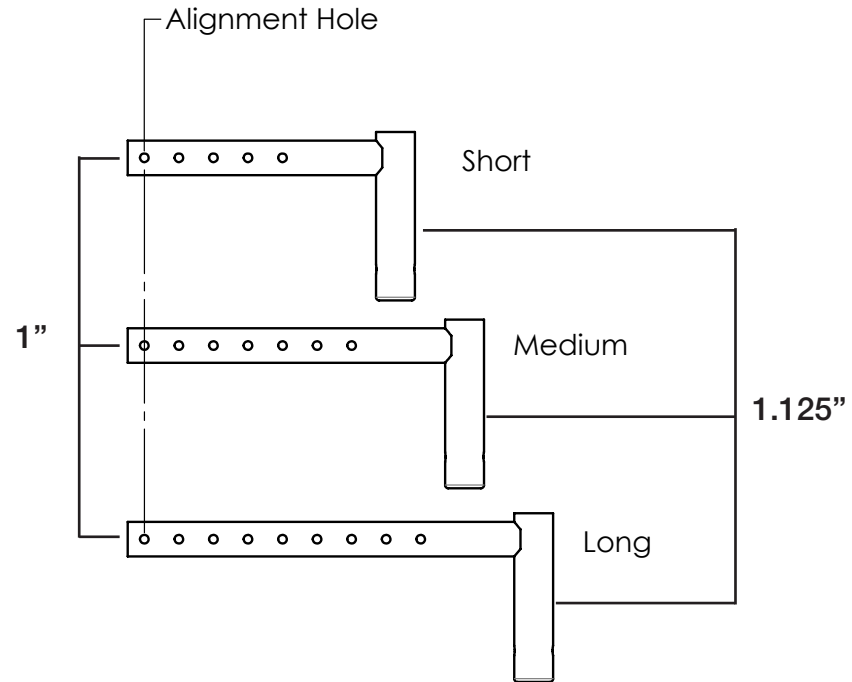


Figure 32

