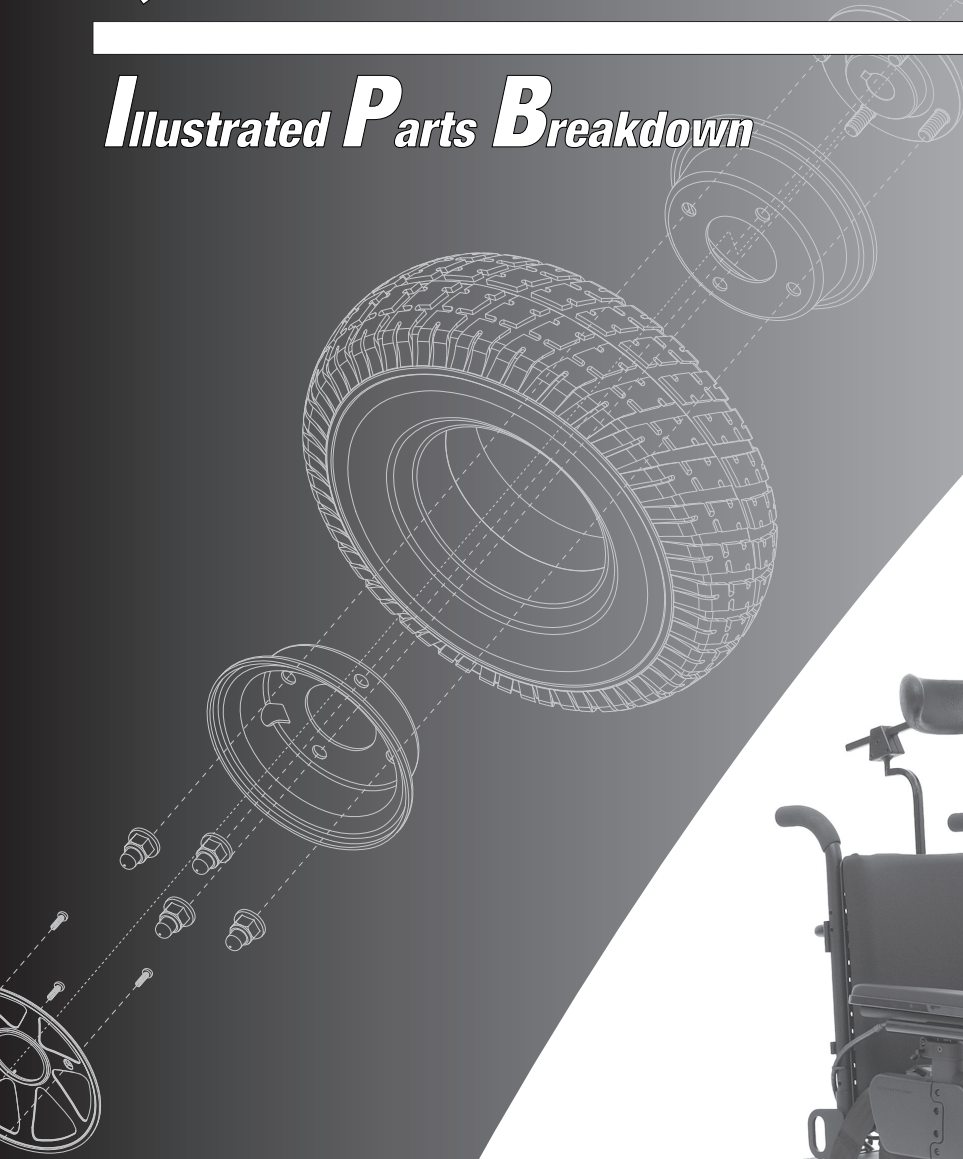


# Quantum<sup>®</sup> R4000/R4400

US

AGN# 088 609 661

## Illustrated *P*arts *B*reakdown



**QUANTUM<sup>®</sup>**  
**REHAB**

A Division of Pride Mobility Products<sup>®</sup> Corp.

Your new Pride Illustrated Parts Breakdown (IPB) Manual has been compiled from the latest product information available at the time of publication. Pride Mobility Products® Corporation reserves the right to make changes and updates to this manual and to the product(s) it represents. Any changes, updates, or improvements to the product(s) may result in slight differences between this manual and the product you purchased.

An IPB is an illustrated parts listing of all product components which have maintenance significance. IPB's utilize "exploded" drawings to detail the individual components for each assembly and an itemized list of reference numbers, part numbers, descriptions, and quantities per assembly. Some parts may be included in an assembly but may not be available for purchase separately. Refer to the parts list to locate the part numbers for assemblies and components for ordering what you need.

To achieve proper identification and relationship of detail parts and next higher assemblies, parts listings are presented in a convenient alphanumeric reference system. Reference numbers for parent assemblies identify one part number that can be used to order all of the components listed within it. Components of an assembly will have the same alpha character as its parent assembly.

- For example, the parent assembly part number using reference number of A1 — A4 is the only number you need to place an order for parts with references of A1, A2, A3, and A4. Instead of ordering 4 separate parts, use the parent assembly part number to get the complete assembly.

Master assembly part numbers have reference numbers that include several subassemblies. By ordering parts using master assembly part numbers, you can save a lot of time and reduce the chance for error.

- For example, A1 — G10, a master assembly reference number, includes all components of assemblies A, B, C, D, E, F, and G. Use caution when ordering assemblies. Check to see if a master assembly part number exists for the components that you need. If an entire master assembly is not needed, then the individual assembly part number (i.e. for reference number G1 — G10) will be sufficient to use for ordering.

Asterisks (\*) and NOTES are used throughout this service manual to point out important information regarding assembly structure and contents.

- For example, in some illustrations, only the left OR right side is shown. In other drawings, only the front OR back is depicted. The part numbers for ALL components are listed. An asterisk will also be used to indicate which components are not illustrated. Illustrated Items without callouts are shown for assembly purposes.

Updates to the contents of this IPB will be made on a regular basis. Providers may retrieve updates immediately upon their release by going to the Pride Service Website. The web address is [www.prideservice.com](http://www.prideservice.com). We welcome any questions or comments regarding the new Pride IPB Manual that you may have.

Please note that all pricing that is included with this manual is subject to change without any prior notice from Pride.

Thank you for choosing products from Pride Mobility Products® Corporation.

(This page is intentionally left blank.)

**SECTION I.**

Main Frame Assembly

- 6"-9" Casters, Part 1 ..... 6
- 6"-9" Casters, Part 2 ..... 8
- Anti-tip ..... 10

**SECTION II.**

Motor Strut Assembly ..... 12

**SECTION III.**

Caster Assembly

- 8" Flat-free ..... 14
- 9" Pneumatic ..... 16
- 9" Flat-free ..... 18

**SECTION IV.**

Motor Assembly

- High Speed Hammer ..... 20
- Glide ..... 22
- H2 ..... 26

**SECTION V.**

Electronics Assembly

- 70-amp VR2, Glide Motors ..... 28
- 70-amp VR2, Glide Motors, Quantum Ready ..... 30
- 70-amp VR2, Glide Motors, Quantum, 1 Actuator thru Toggle ..... 32
- 70-amp VR2, Glide Motors, Future Actuator Expansion ..... 34
- 70-amp VR2, H2 Motors ..... 36
- 70-amp VR2, H2 Motors, Quantum Ready ..... 38
- 70-amp VR2, H2 Motors, Quantum, 1 Actuator thru Toggle ..... 40
- 70-amp VR2, H2 Motors, Future Actuator Expansion ..... 42
- 70-amp Q-Logic, Glide Motors ..... 44
- 70-amp Q-Logic, Glide Motors, Quantum Ready ..... 46
- 70-amp Q-Logic, Glide Motors, Tilt thru Toggle ..... 48
- 100-amp Q-Logic, H2 Motors ..... 50
- 100-amp Q-Logic, H2 Motors, Quantum Ready ..... 52
- 100-amp Q-Logic, H2 Motors, Tilt thru Toggle ..... 54
- 100-amp Q-Logic, High Speed Hammer Motors ..... 56
- 100-amp Q-Logic, High Speed Hammer Motors, Quantum Ready ..... 58
- 100-amp Q-Logic, High Speed Hammer Motors, Tilt thru Toggle ..... 60

**SECTION VI.**

Controller Assemblies ..... 62

**SECTION VII.**

Drive Wheel Assembly

- Pneumatic ..... 64
- Flat-free ..... 65



**SECTION VIII.**

Shroud Assembly  
 Battery Cover .....66  
 Fender .....67

**SECTION IX.**

Battery Door Assembly .....68

**SECTION X.**

Seat Tower Assembly  
 Universal Seating .....70  
 Synergy Seat, 10"-14"W .....72  
 Synergy Seat, 14"-20"W .....74  
 TRU-Balance Tilt .....76

**SECTION XI.**

Charger Assembly .....78

**SECTION XII.**

Owner's Package .....79

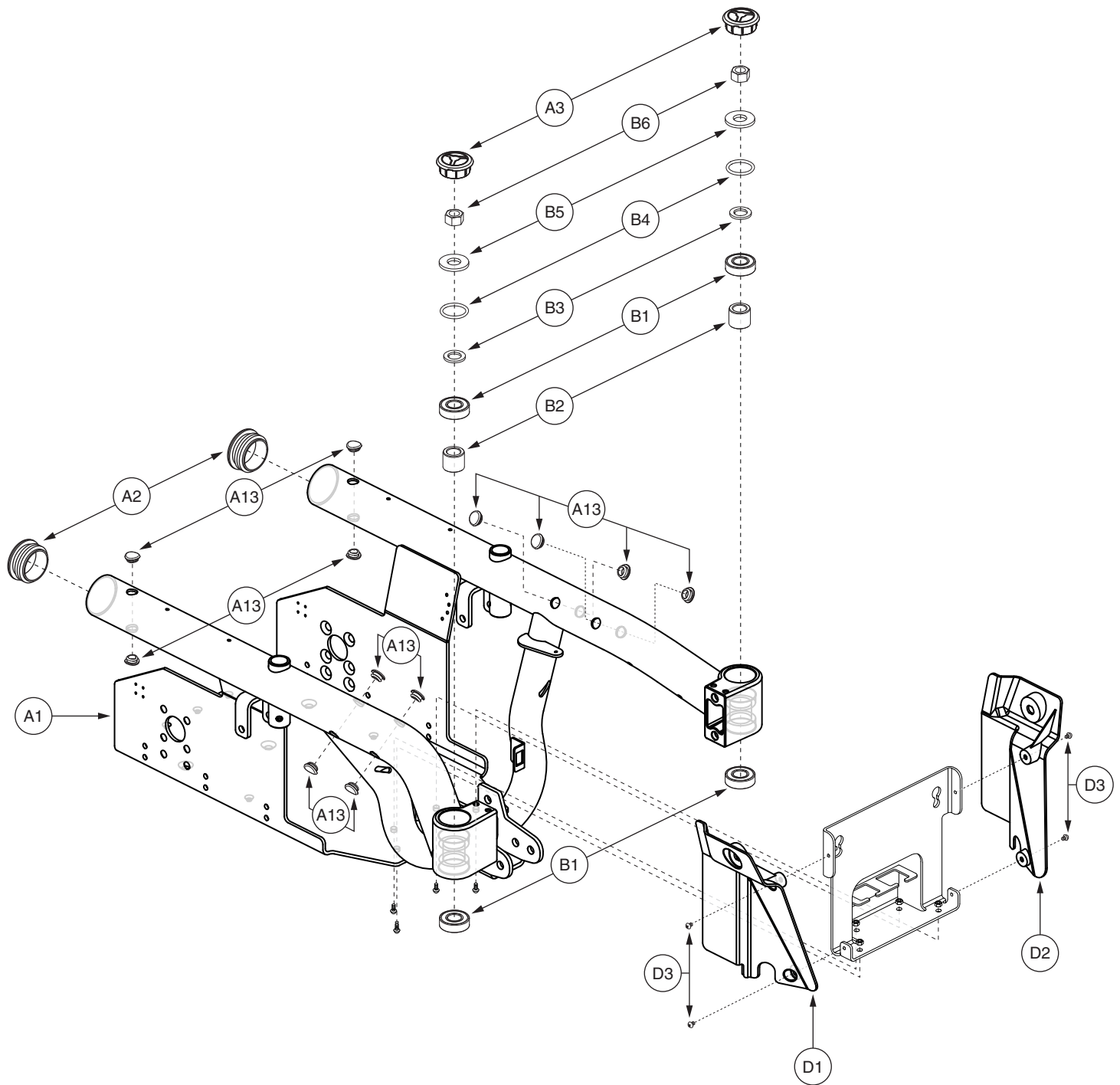
**SECTION XIII.**

Decal Package  
 Quantum R4000, Hammer and H2 Motors.....80  
 Quantum R4000, Glide Motors.....81  
 Quantum R4400, Hammer and H2 Motors.....82

**APPENDIX A.**

Electrical System Diagram  
 70-amp VR2, Glide Motors .....83  
 70-amp VR2, Glide Motors, Quantum Ready .....84  
 70-amp VR2, Glide Motors, Quantum, 1 Actuator thru Toggle .....85  
 70-amp VR2, Glide Motors, Future Actuator Expansion .....86  
 70-amp VR2, H2 Motors.....87  
 70-amp VR2, H2 Motors, Quantum Ready .....88  
 70-amp VR2, H2 Motors, Quantum, 1 Actuator thru Toggle.....89  
 70-amp VR2, H2 Motors, Future Actuator Expansion .....90  
 70-amp Q-Logic, Glide Motors .....91  
 70-amp Q-Logic, Glide Motors, Quantum Ready .....92  
 70-amp Q-Logic, Glide Motors, Tilt thru Toggle.....93  
 100-amp Q-Logic, H2 Motors .....94  
 100-amp Q-Logic, H2 Motors, Quantum Ready .....95  
 100-amp Q-Logic, H2 Motors, Tilt thru Toggle .....96  
 100-amp Q-Logic, High Speed Hammer Motors .....97  
 100-amp Q-Logic, High Speed Hammer Motors, Quantum Ready .....98  
 100-amp Q-Logic, High Speed Hammer Motors, Tilt thru Toggle .....99

# I. Main Frame Assembly — 6”-9” Casters, Part 1



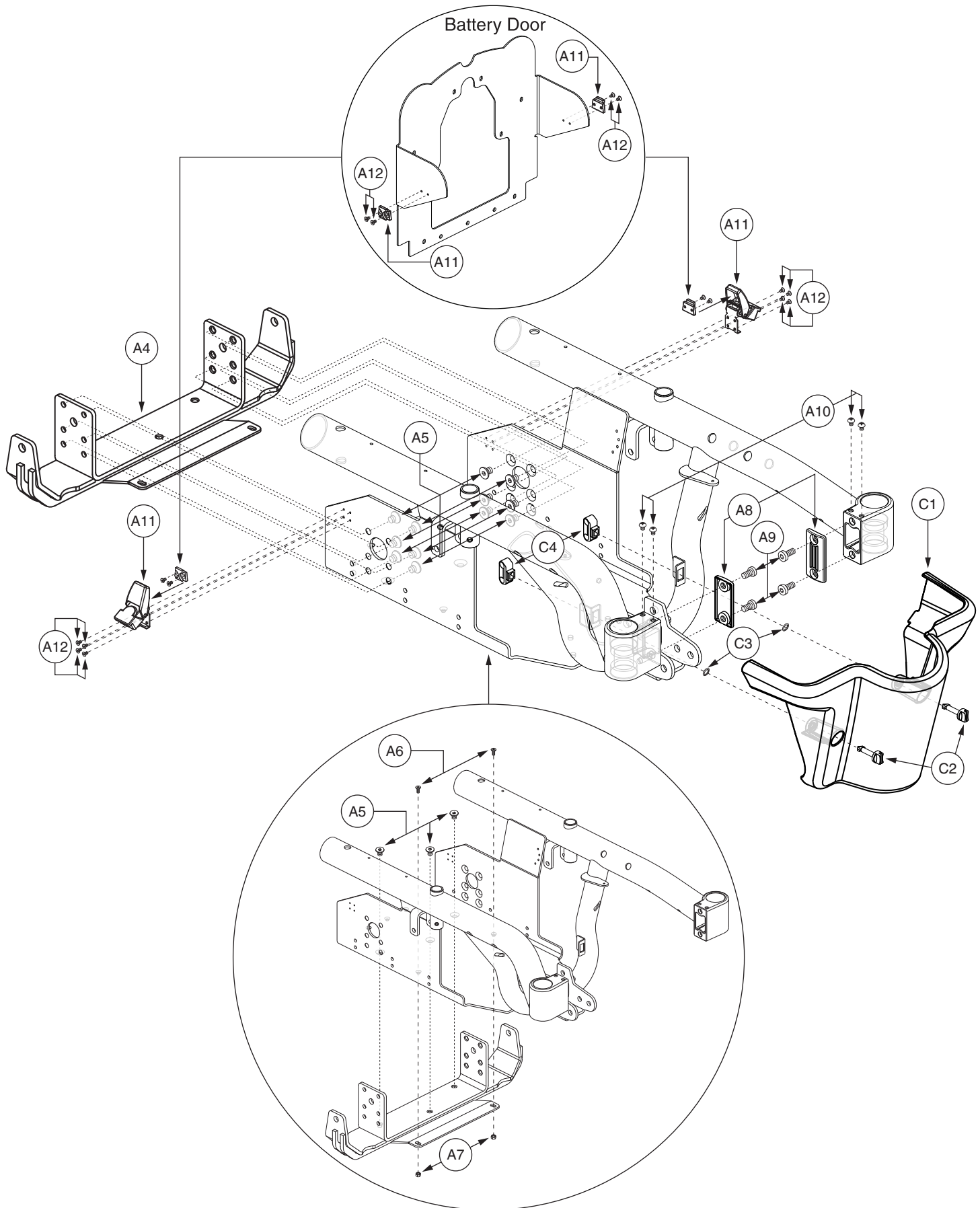
# I. Main Frame Assembly — 6"-9" Casters, Part 1

REF #	PART #	DESCRIPTION	QTY	Dealer \$	MSRP	11i
<b>A1 — E1</b>	<b>FRMASMB11046</b>	<b>FRAME,ASSY,MAIN,W/ANTI-TIPS,FOR 6"-9" CASTERS,R4000</b>	<b>1</b>	<b>\$331.63</b>	<b>\$845.66</b>	
<b>A1 — B6</b>	<b>FRMASMB10887</b>	<b>FRAME,ASSY,MAIN,9" CASTERS,R4000,E-1505-080</b>	<b>1</b>	<b>\$228.06</b>	<b>\$581.55</b>	
A1	DWR1505E056	FRAME,WELDMENT,MAIN,9",E-1505-056	1	N/A	N/A	
A2	DWR1505B023	END CAP,BLACK,NYLON,2" X 10GA - 14GA,B-1505-023	2	\$1.05	\$2.68	
A3	DWR1506C003	CASTER,CAP,BLACK,ABS,VIBE	2	\$1.05	\$2.68	
*A4	DWR1505E019	MOUNTING BRACKET,MOTOR MOUNTING STIFFENING WELDMENT,E-1505-019	1	\$8.4	\$21.42	
*A5	SCRSHFH1048	SCREW,SHFH,BLACK ZINC,M8-1.25 X 10MM,GRADE 10.9	15	\$1.05	\$2.68	
*A6	SCRSHFH1015	SCREW,SHFH,BLACK ZINC,M5-.8 X 12MM,GRADE 10.9	2	\$1.05	\$2.68	
*A7	NUTNYLK1062	NUT,NYLOCK,BLACK ZINC,M5-.8	2	\$1.05	\$2.68	
*A8	DWR1506B007	CASTER SIDE CAP,BLACK,ABS,RECTANGULAR,B-1506-007	2	\$2.1	\$5.36	
*A9	SCRSHCS1118	SCREW,SHCS,BLACK NUTRIDE,M8-1.25 X 15MM,LOW HEAD,A-1506-003,(MCMaster CARR P/N 93070A175)	4	\$1.05	\$2.68	
*A10	<b>SCRPPH1150</b>	<b>SCREW,PPH,BLACK ZINC,M5-.8 X 5MM</b>	<b>4</b>	<b>\$1.05</b>	<b>\$2.68</b>	
*A11	<b>DWR1505C108</b>	<b>LATCH,BATTERY DOOR,R4000,C-1505-108,(SP: 01-021-CM138)</b>	<b>2</b>	<b>\$9.58</b>	<b>\$24.42</b>	
*A12	<b>SCRSHFH1136</b>	<b>SCREW,SHFH,BLACK ZINC,M3-.5 X 5MM</b>	<b>12</b>	<b>\$1.05</b>	<b>\$2.68</b>	
A13	DWR1506B012	COVER,FRAME PLUG,BLACK,TPE,B-1506-012	12	\$1.05	\$2.68	
<b>B1 — B6</b>	<b>HDWASMB1097</b>	<b>ANTI-FLUTTER KIT,R4000,B-1505-084</b>	<b>2</b>	<b>\$9.45</b>	<b>\$24.1</b>	
B1	BRGSLV1021	BEARING,BALL,0.625"ID X 1.378"OD X 0.432"TH,620210-2NSE,A-1500-032	2	\$1.05	\$2.68	
B2	DWR1500A029	SPACER,BRIGHT ZINC,STEEL,0.630"ID X 1.00" OD X 0.82" TH,A-1500-029	1	\$2.1	\$5.36	
B3	DWR1500A045	SHIM,STEEL,5/8" BOLT SIZE,0.630-0.635" ID X 1.00" OD X 0.093",A-1500-045	1	\$1.05	\$2.68	
B4	HDWINDV1041	O-RING,NEOPRENE,1.0625"ID X 1.3125"OD X 0.1250"W,SIZE 215,DUROMETER SHORE A 70 +/-5,(MSC 31954050)	1	\$1.05	\$2.68	
B5	DWR1500A046	WASHER,STEEL,0.630" ID X 1.365" OD X 0.1345" (10GA) TH,CUSTOM,A-1500-046	1	\$1.05	\$2.68	
B6	NUTNJAM1022	NUT,NYLOCK JAM,ZINC,5/8-18	1	\$1.05	\$2.68	
<b>*C1 — C4</b>	<b>SHDASMB5147</b>	<b>SHROUD,ASSY,FRONT COVER,R4000</b>	<b>1</b>	<b>\$5.04</b>	<b>\$12.85</b>	
*C1	DWR1505E068	SHROUD,BLACK,COVER,FRONT,E-1505-068	1	\$5.67	\$14.46	
*C2	CLISTL1013	CLIP,STUD,1"L,STRAIGHT	2	\$1.05	\$2.68	
*C3	HWDINDV1000	O RING,BLACK,NEOPRENE,4.2MM ID X 9.0MM OD X 1.90MM TH	2	\$1.05	\$2.68	
*C4	CLISTL1012	CLIP,SNAP-IN,0.228"D	2	\$1.05	\$2.68	
<b>D1 — D3</b>	<b>SHDASMB5148</b>	<b>SHROUD,ASSY,BATTERY BLIND,R4000</b>	<b>1</b>	<b>\$2.77</b>	<b>\$7.07</b>	
D1	DWR1505E065	SHROUD,BLACK,SIDE BATTERY BLIND,RIGHT,E-1505-065	1	\$1.51	\$3.86	
D2	DWR1505E067	SHROUD,BLACK,SIDE BATTERY BLIND,LEFT,E-1505-067	1	\$1.51	\$3.86	
D3	SCRPPH1304	SCREW,PPH,BLACK ZINC,M4-.7 X 6MM	4	\$1.05	\$2.68	
<b>**E1a</b>	<b>FRMASMB10853</b>	<b>ANTI-TIP,ASSY,MOTOR MOUNT W/ANTI-TIP WHEEL,R4000,RIGHT,E-1505-078</b>	<b>1</b>	<b>\$41.58</b>	<b>\$106.03</b>	
<b>**E1b</b>	<b>FRMASMB10851</b>	<b>ANTI-TIP,ASSY,MOTOR MOUNT W/ANTI-TIP WHEEL,R4000,LEFT,E-1505-079</b>	<b>1</b>	<b>\$41.58</b>	<b>\$106.03</b>	

## Notes :

Top-level assemblies will include components designated with corresponding lower-case letters. Parts without lower-case extensions will be included in all top-level assemblies. For all items referenced with an "\*", refer to SECTION I. Main Frame Assembly — 6"-9" Casters, Part 2 for the illustration.

**\*\*E1a** Refer to SECTION I. Main Frame Assembly — Anti-tip for the illustration and the parts list.  
**\*\*E1b** Refer to SECTION I. Main Frame Assembly — Anti-tip for the illustration and the parts list.



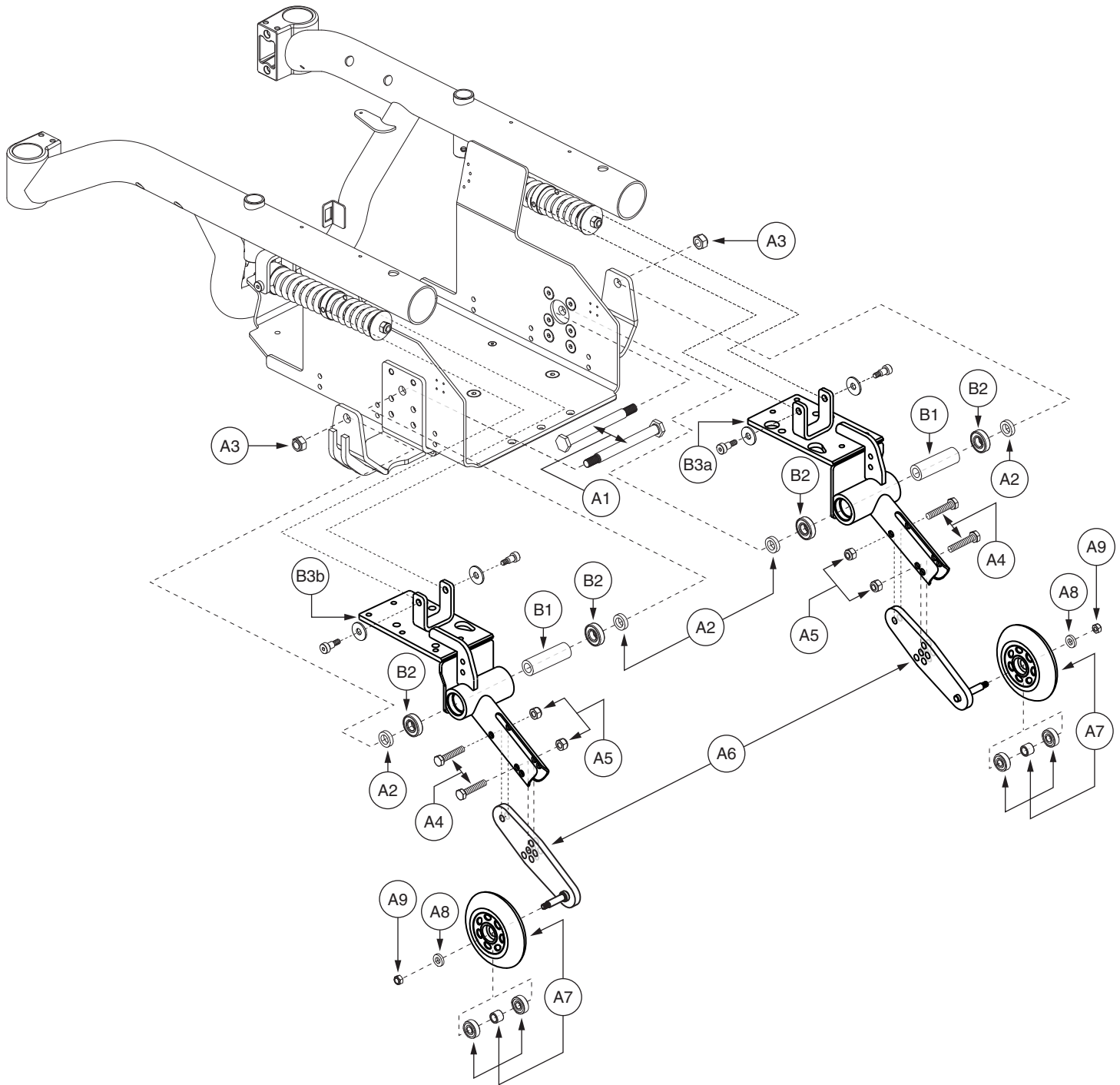
# I. Main Frame Assembly — 6"-9" Casters, Part 2

REF #	PART #	DESCRIPTION	QTY	Dealer \$	MSRP	11i
<b>A1 — E1</b>	<b>FRMASMB11046</b>	<b>FRAME,ASSY,MAIN,W/ANTI-TIPS,FOR 6"-9" CASTERS,R4000</b>	<b>1</b>	<b>\$331.63</b>	<b>\$845.66</b>	
<b>A1 — B6</b>	<b>FRMASMB10887</b>	<b>FRAME,ASSY,MAIN,9" CASTERS,R4000,E-1505-080</b>	<b>1</b>	<b>\$228.06</b>	<b>\$581.55</b>	
*A1	DWR1505E056	FRAME,WELDMENT,MAIN,9",E-1505-056	1	N/A	N/A	
*A2	DWR1505B023	END CAP,BLACK,NYLON,2" X 10GA - 14GA,B-1505-023	2	\$1.05	\$2.68	
*A3	DWR1506C003	CASTER,CAP,BLACK,ABS,VIBE	2	\$1.05	\$2.68	
A4	DWR1505E019	MOUNTING BRACKET,MOTOR MOUNTING STIFFENING WELDMENT,E-1505-019	1	\$8.4	\$21.42	
A5	SCRSHFH1048	SCREW,SHFH,BLACK ZINC,M8-1.25 X 10MM,GRADE 10.9	15	\$1.05	\$2.68	
A6	SCRSHFH1015	SCREW,SHFH,BLACK ZINC,M5-.8 X 12MM,GRADE 10.9	2	\$1.05	\$2.68	
A7	NUTNYLK1062	NUT,NYLOCK,BLACK ZINC,M5-.8	2	\$1.05	\$2.68	
A8	DWR1506B007	CASTER SIDE CAP,BLACK,ABS,RECTANGULAR,B-1506-007	2	\$2.1	\$5.36	
A9	SCRSHCS1118	SCREW,SHCS,BLACK NUTRIDE,M8-1.25 X 15MM,LOW HEAD,A-1506-003,(MCMaster CARR P/N 93070A175)	4	\$1.05	\$2.68	
A10	SCRPPH1150	SCREW,PPH,BLACK ZINC,M5-.8 X 5MM	4	\$1.05	\$2.68	
<b>**A11</b>	<b>DWR1505C108</b>	<b>LATCH,BATTERY DOOR,R4000,C-1505-108,(SP: 01-021-CM138)</b>	<b>2</b>	<b>\$9.58</b>	<b>\$24.42</b>	
A12	SCRSHFH1136	SCREW,SHFH,BLACK ZINC,M3-.5 X 5MM	12	\$1.05	\$2.68	
*A13	<b>DWR1506B012</b>	<b>COVER,FRAME PLUG,BLACK,TPE,B-1506-012</b>	<b>12</b>	<b>\$1.05</b>	<b>\$2.68</b>	
<b>*B1 — B6</b>	<b>HDWASMB1097</b>	<b>ANTI-FLUTTER KIT,R4000,B-1505-084</b>	<b>2</b>	<b>\$9.45</b>	<b>\$24.1</b>	
*B1	BRGSLV1021	BEARING,BALL,0.625"ID X 1.378"OD X 0.432"TH,620210-2NSE,A-1500-032	2	\$1.05	\$2.68	
*B2	DWR1500A029	SPACER,BRIGHT ZINC,STEEL,0.630"ID X 1.00" OD X 0.82" TH,A-1500-029	1	\$2.1	\$5.36	
*B3	DWR1500A045	SHIM,STEEL,5/8" BOLT SIZE,0.630-0.635" ID X 1.00" OD X 0.093",A-1500-045	1	\$1.05	\$2.68	
*B4	HDWINDV1041	O-RING,NEOPRENE,1.0625"ID X 1.3125"OD X 0.1250"W,SIZE 215,DUROMETER SHORE A 70 +/-5,(MSC 31954050)	1	\$1.05	\$2.68	
*B5	DWR1500A046	WASHER,STEEL,0.630" ID X 1.365" OD X 0.1345" (10GA) TH,CUSTOM,A-1500-046	1	\$1.05	\$2.68	
*B6	NUTNJAM1022	NUT,NYLOCK JAM,ZINC,5/8-18	1	\$1.05	\$2.68	
<b>C1 — C4</b>	<b>SHDASMB5147</b>	<b>SHROUD,ASSY,FRONT COVER,R4000</b>	<b>1</b>	<b>\$5.04</b>	<b>\$12.85</b>	
C1	DWR1505E068	SHROUD,BLACK,COVER,FRONT,E-1505-068	1	\$5.67	\$14.46	
C2	CLISTL1013	CLIP,STUD,1"L,STRAIGHT	2	\$1.05	\$2.68	
C3	HWDINDV1000	O RING,BLACK,NEOPRENE,4.2MM ID X 9.0MM OD X 1.90MM TH	2	\$1.05	\$2.68	
C4	CLISTL1012	CLIP,SNAP-IN,0.228"D	2	\$1.05	\$2.68	
<b>*D1 — D3</b>	<b>SHDASMB5148</b>	<b>SHROUD,ASSY,BATTERY BLIND,R4000</b>	<b>1</b>	<b>\$2.77</b>	<b>\$7.07</b>	
*D1	DWR1505E065	SHROUD,BLACK,SIDE BATTERY BLIND,RIGHT,E-1505-065	1	\$1.51	\$3.86	
*D2	DWR1505E067	SHROUD,BLACK,SIDE BATTERY BLIND,LEFT,E-1505-067	1	\$1.51	\$3.86	
*D3	SCRPPH1304	SCREW,PPH,BLACK ZINC,M4-.7 X 6MM	4	\$1.05	\$2.68	
<b>**E1a</b>	<b>FRMASMB10853</b>	<b>ANTI-TIP,ASSY,MOTOR MOUNT W/ANTI-TIP WHEEL,R4000,RIGHT,E-1505-078</b>	<b>1</b>	<b>\$41.58</b>	<b>\$106.03</b>	
<b>**E1b</b>	<b>FRMASMB10851</b>	<b>ANTI-TIP,ASSY,MOTOR MOUNT W/ANTI-TIP WHEEL,R4000,LEFT,E-1505-079</b>	<b>1</b>	<b>\$41.58</b>	<b>\$106.03</b>	

### Notes :

Top-level assemblies will include components designated with corresponding lower-case letters. Parts without lower-case extensions will be included in all top-level assemblies. For all items referenced with an "\*", refer to SECTION I. Main Frame Assembly — 6"-9" Casters, Part 1 for the illustration.

- \*\*A11** Each latch is depicted in separate parts for assembly purposes.
- \*\*E1a** Refer to SECTION I. Main Frame Assembly — Anti-tip for the illustration and the parts list.
- \*\*E1b** Refer to SECTION I. Main Frame Assembly — Anti-tip for the illustration and the parts list.



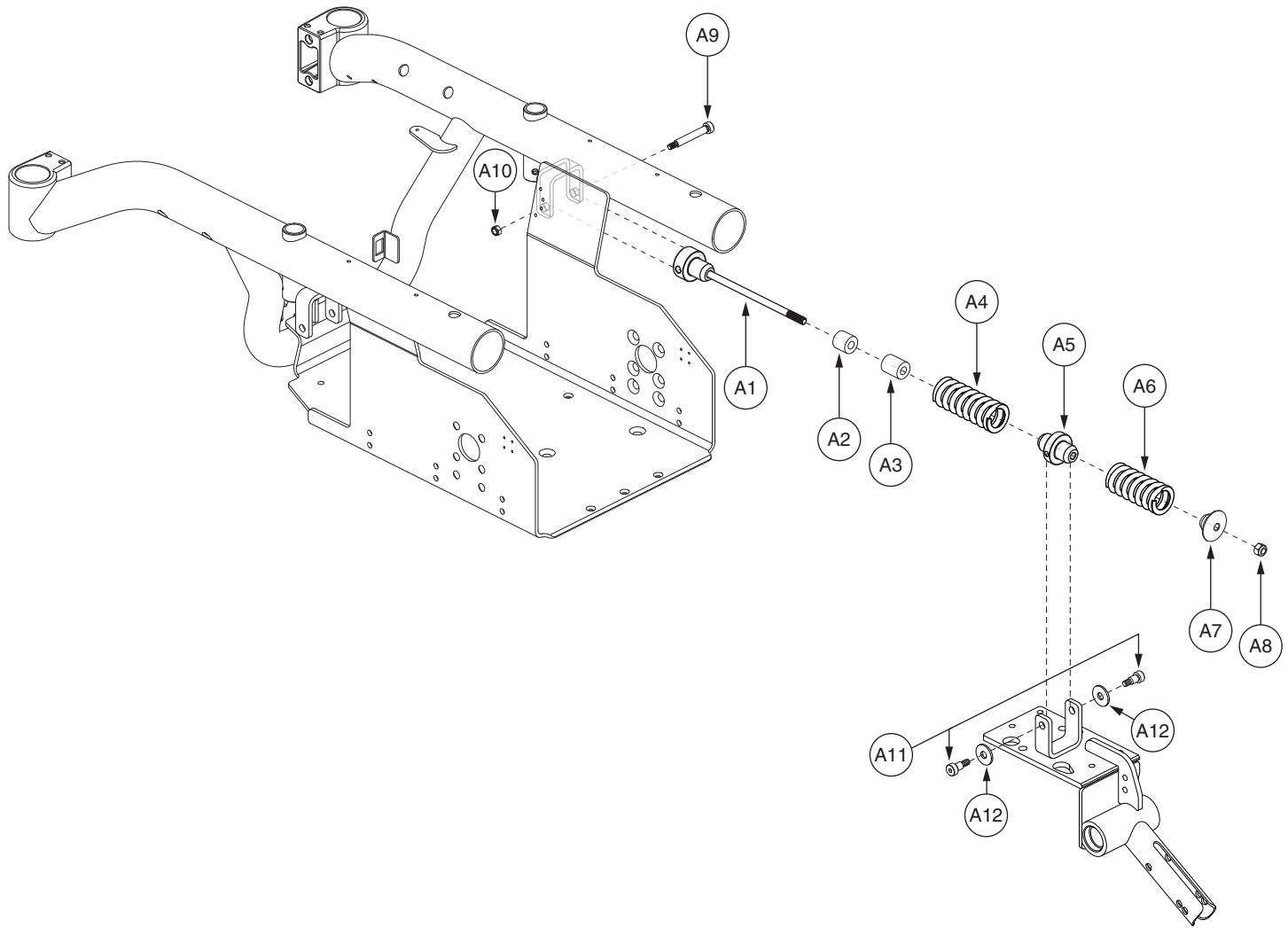
# I. Main Frame Assembly — Anti-tip

REF #	PART #	DESCRIPTION	QTY	Dealer \$	MSRP	11i
<b>A1 — B3a</b>	<b>FRMASMB10853</b>	<b>ANTI-TIP,ASSY,MOTOR MOUNT W/ANTI-TIP WHEEL,R4000,RIGHT,E-1505-078</b>	<b>1</b>	<b>\$41.58</b>	<b>\$106.03</b>	
<b>A1 — B3b</b>	<b>FRMASMB10851</b>	<b>ANTI-TIP,ASSY,MOTOR MOUNT W/ANTI-TIP WHEEL,R4000,LEFT,E-1505-079</b>	<b>1</b>	<b>\$41.58</b>	<b>\$106.03</b>	
A1	DWR1505C026	AXLE,MOTOR MOUNT,12MM SHAFT X M10-1.5 THREAD X 100.2MM L,C-1505-026	1	\$1.05	\$2.68	
A2	WASMETR1106	WASHER,BLACK,STEEL,12.5MM ID X 20MM OD X 5MM TH,B-1505-078	2	\$1.05	\$2.68	
A3	NUTNYLK1073	NUT,NYLOCK,BLACK ZINC,M10-1.5,GRADE 8	1	\$1.05	\$2.68	
A4	SCRHHCS1275	SCREW,HHCS,BLACK ZINC,M8-1.25 X 40MM,GRADE 12.9	2	\$1.05	\$2.68	
A5	NUTNYLK1011	NUT,NYLOCK,BLACK ZINC,M8-1.25	2	\$1.05	\$2.68	
A6	DWR1505D022	ANTI-TIP ADJUSTMENT WELDMENT,D-1505-022	1	\$6.3	\$16.07	
*A7	WHLASMB1523	WHEEL,ASSY,ANTI-TIP,100MM OD X 23.76MM TH,W/BEARINGS & SPACER,C-1505-032	1	\$7.35	\$18.74	
A8	WASNYLN1085	WASHER,BLACK,NYLON,8.5MM ID X 16MM OD X 3MM TH	1	\$1.05	\$2.68	
A9	NUTNYLK1019	NUT,NYLOCK,BLACK ZINC,M6-1.0	1	\$1.05	\$2.68	
<b>B1 — B3a</b>	<b>FRMASMB10854</b>	<b>ANTI-TIP,ASSY,MOTOR MOUNT,RIGHT,W/BEARINGS,D-1505-067</b>	<b>1</b>	<b>\$28.35</b>	<b>\$72.29</b>	
<b>B1 — B3b</b>	<b>FRMASMB10852</b>	<b>ANTI-TIP,ASSY,MOTOR MOUNT,LEFT,W/BEARINGS,D-1505-068</b>	<b>1</b>	<b>\$28.35</b>	<b>\$72.29</b>	
B1	DWR1505B077	SPACER,BRIGHT ZINC,STEEL,12.5MM ID X 20.00MM OD X 64MM TH,B-1505-077	1	N/A	N/A	
B2	DWR1101A019B	BEARING,BALL,12.0MM ID X 28.0MM OD X 8.0MM TH,A-1101-019,(SKF BEARING: 6001-2RS DOUBLE SEAL)	2	\$1.05	\$2.68	
B3a	DWR1505C070	MOTOR MOUNT WELDMENT,RIGHT,C-1505-070	1	N/A	N/A	
B3b	DWR1505C069	MOTOR MOUNT WELDMENT,LEFT,C-1505-069	1	N/A	N/A	

### Notes :

Top-level assemblies will include components designated with corresponding lower-case letters. Parts without lower-case extensions will be included in all top-level assemblies.

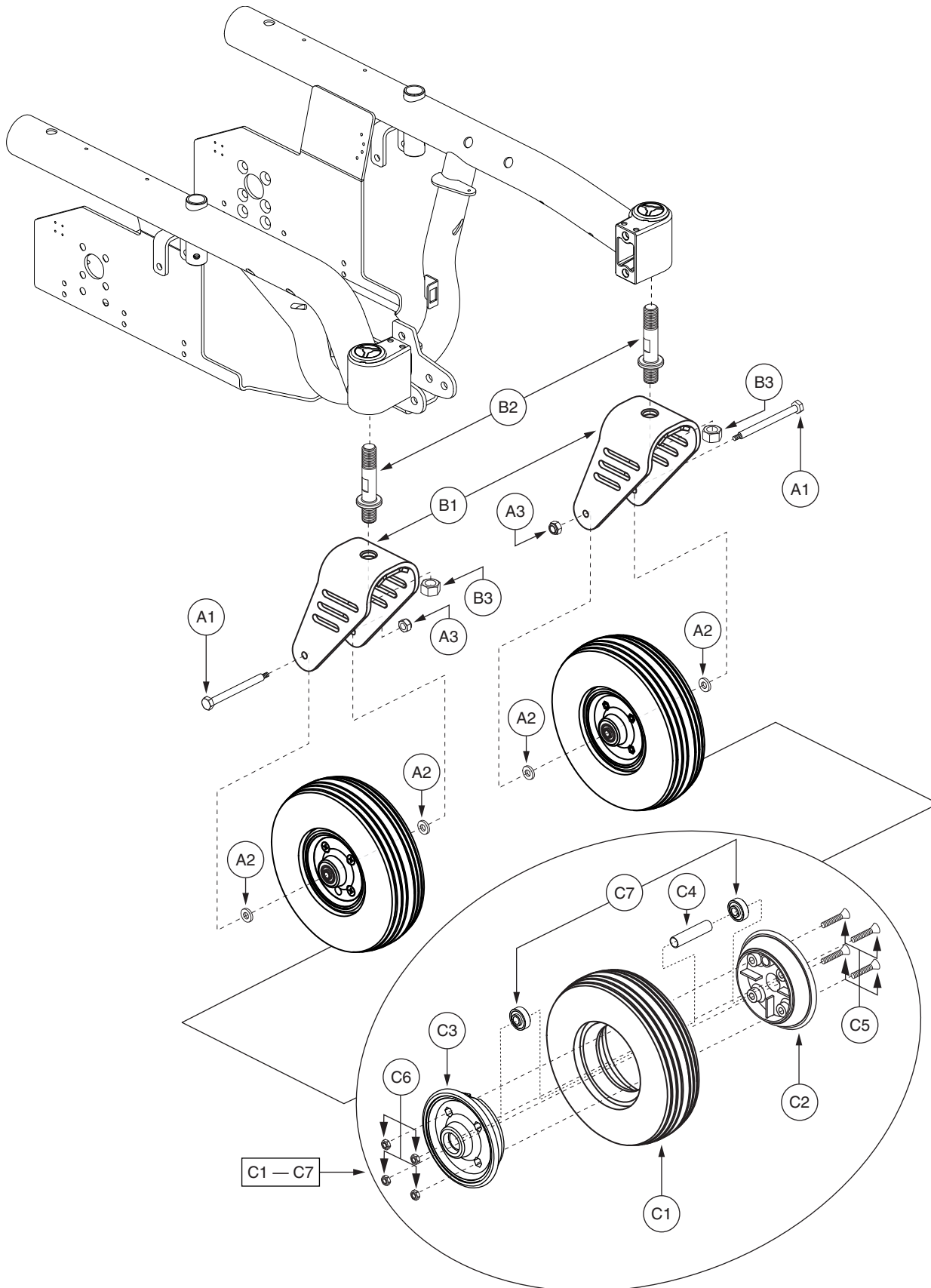
\*A7 The item is a quantity of one but is illustrated as four parts for assembly purposes.





## II. Motor Strut Assembly

REF #	PART #	DESCRIPTION	QTY	Dealer \$	11i MSRP
<b>A1 — A12</b>	<b>FRMASMB10889</b>	<b>STRUT,ASSY,MOTOR MOUNT,R4000,D-1505-072</b>	<b>2</b>	<b>\$34.02</b>	<b>\$86.75</b>
A1	DWR1505C090	STRUT WELDMENT,MOTOR SUSPENSION,C-1505-090	1	\$5.29	\$13.49
A2	DWR1505B086	SPACER,BLACK,DELFIN,10MM ID X 21.5MM OD X 19.1MM TH,B-1505-086	1	\$1.05	\$2.68
A3	DWR1505B085	SPACER,BLACK,POLYURETHANE,10MM ID X 21.5MM OD X 25.4MM TH,B-1505-085	1	\$1.05	\$2.68
A4	DWR1505B083	SPRING,YELLOW,3.50" FL X 1.415" OD X 0.250"WIRE DIA X RATE: 528 LBS/IN,B-1505-083,(LEE SPRING:LHL-1500B-04)	1	\$10.08	\$25.7
A5	DWR1505C091	STRUT PIVOT,MOTOR SUSPENSION,C-1505-091	1	\$5.04	\$12.85
A6	DWR1505B082	SPRING,YELLOW,3.00" FL X 1.410" OD X 0.243"WIRE DIA X RATE: 560 LBS/IN,B-1505-082,(LEE SPRING:LHL-1500B-03)	1	\$8.32	\$21.21
A7	DWR1505C092	END CAP,MOTOR SUSPENSION,C-1505-092	1	\$2.77	\$7.07
A8	NUTNYLK1011	NUT,NYLOCK,BLACK ZINC,M8-1.25	1	\$1.05	\$2.68
A9	BLTASHL1113	BOLT,SHOULDER,8MM X 50MM,GRADE 12.9,C-1005-002	1	\$1.05	\$2.68
A10	NUTNYLK1019	NUT,NYLOCK,BLACK ZINC,M6-1.0	1	\$1.05	\$2.68
A11	BLTASHL1110	BOLT,SHOULDER,8MM X 10MM,GRADE 12.9	2	\$1.05	\$2.68
A12	WASNYLN1092	WASHER,NYLON,9.12MM ID X 25.4MM OD X 2.3MM TH	2	\$1.05	\$2.68

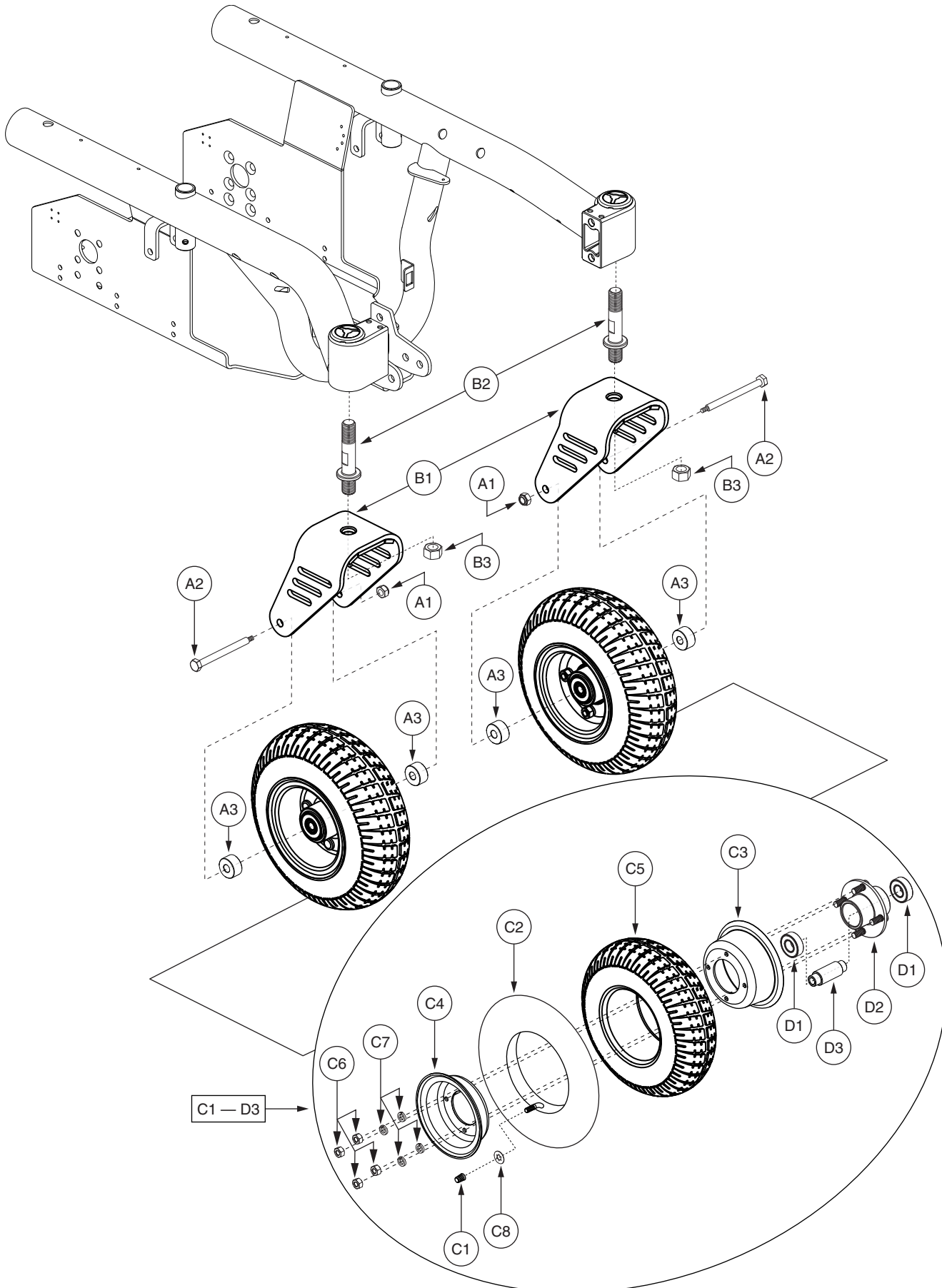


### III. Caster Assembly — 8” Flat-free

REF #	PART #	DESCRIPTION	QTY	Dealer \$	MSRP	11i
A1 — C7	FRMASMB10896	CASTER,ASSY,FLAT FREE,8" WHEEL,W/FORK,PAIR,R4000	1	\$86.44	\$220.41	
*A1 — C7	FRMASMB10895	CASTER,ASSY,FLAT FREE,8" WHEEL,W/FORK,RIGHT,E-1202-014	1	\$43.22	\$110.21	
*A1 — C7	FRMASMB10894	CASTER,ASSY,FLAT FREE,8" WHEEL,W/FORK,LEFT,E-1202-013	1	\$43.22	\$110.21	
A1	SCRHHCS1261	SCREW,HHCS,BLACK ZINC,M8-1.25 X 90MM,GRADE 10.9	1	\$1.05	\$2.68	
A2	WASNLYN1085	WASHER,BLACK,NYLON,8.5MM ID X 16MM OD X 3MM TH	2	\$1.05	\$2.68	
A3	NUTNYLK1011	NUT,NYLOCK,BLACK ZINC,M8-1.25	1	\$1.05	\$2.68	
B1 — B3	FRMASMB5938	FORK,ASSY,CASTER,8",VIBE,C-1202-014	1	\$11.55	\$29.45	
B1	DWR1506E007	FORK,CASTER WELDMENT,8",E-1506-007	1	\$8.4	\$21.42	
B2	DWR1500B007	PIVOT STUD,CASTER FORK,5/8-18,,B-1500-007	1	\$1.05	\$2.68	
B3	NUTNJAM1022	NUT,NYLOCK JAM,ZINC,5/8-18	1	\$1.05	\$2.68	
C1 — C7	WHLASMB1405	WHEEL,ASSY,FLAT FREE,BLACK RIM/GRAY TIRE,200 X 50,FRONT,PRIMO DUROTRAP,D-1203-010	1	\$26.25	\$66.94	
C1	TIRSOLI1033	TIRE,FLAT FREE,GRAY,200 X 50,PRIMO DUROTRAP	1	\$22.05	\$56.23	
C2	WHLRIMS1088	WHEEL,RIM,PLASTIC,102MM X 22MM,FRONT, BOLT SIDE	1	\$3.15	\$8.03	
C3	WHLRIMS1089	WHEEL,RIM,PLASTIC,102MM X 22MM,FRONT, NUT SIDE	1	\$3.15	\$8.03	
C4	DWR9998A014	SPACER,STEEL,0.34" ID X 0.43" OD X 1.93" L,ZINC	1	\$1.05	\$2.68	
C5	SCRPFH1036	SCREW,PFH,ZINC,M6-1.0 X 30MM	4	\$1.05	\$2.68	
C6	NUTNYLK1045	NUT,NYLOCK,ZINC,M6-1.0	4	\$1.05	\$2.68	
C7	BRGSLV1031	BEARING,BALL,8MM ID X 22MM OD X 7MM TH,(6082RS)	2	\$1.05	\$2.68	

**Notes :**

\*A1 — C7 Both assemblies contain identical components. There are left and right sides for assembly purposes.

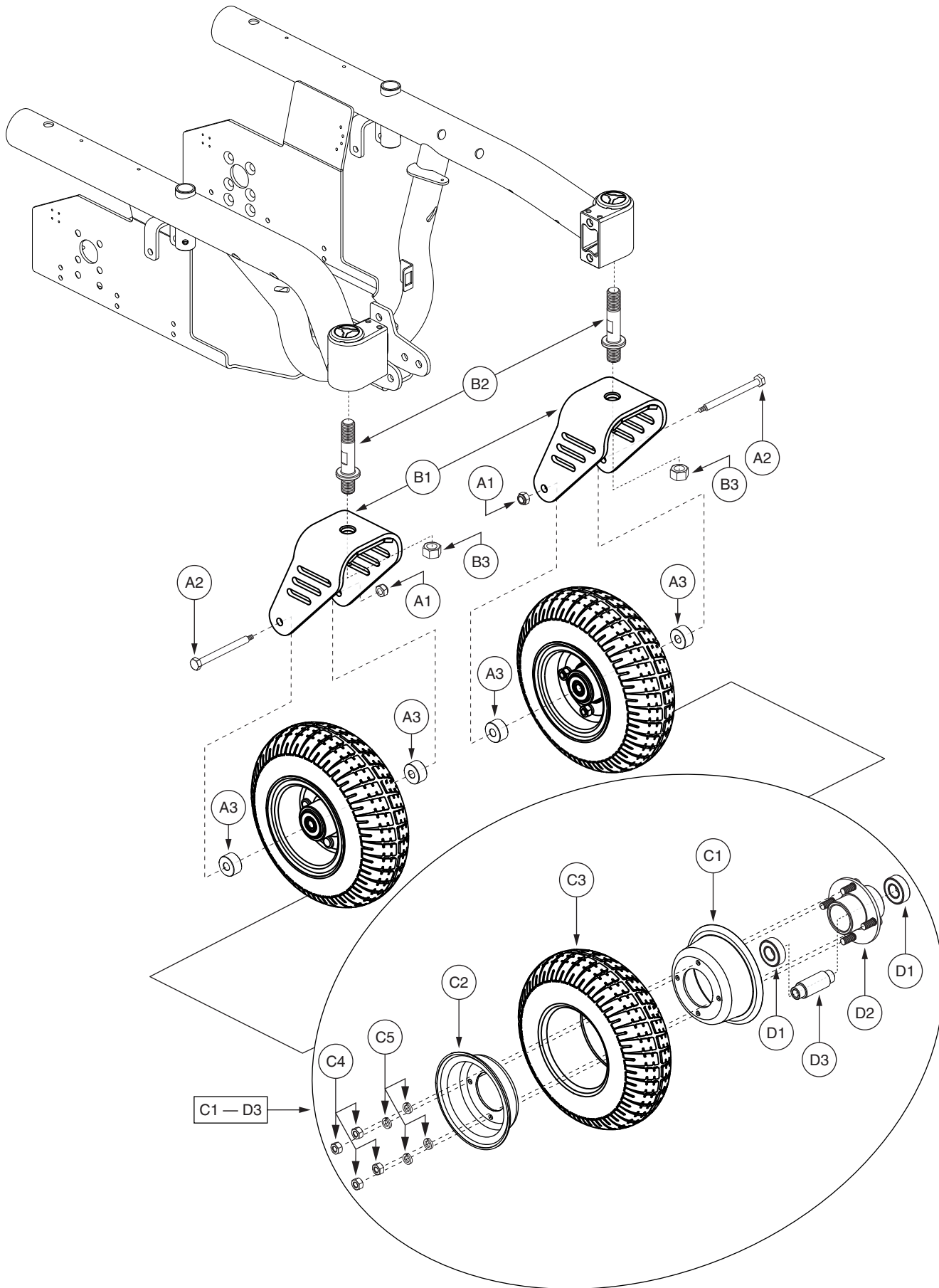


### III. Caster Assembly — 9” Pneumatic

REF #	PART #	DESCRIPTION	QTY	Dealer \$	MSRP	11i
A1 — D3	FRMASMB11267	CASTER,ASSY,PNEUMATIC,9" WHEEL,W/FORK,PAIR,R4000	1	\$118.44	\$302.02	
*A1 — D3	FRMASMB11269	CASTER,ASSY,PNEUMATIC,9" WHEEL,W/FORK,RIGHT,E-1202-012	1	\$59.22	\$151.01	
*A1 — D3	FRMASMB11268	CASTER,ASSY,PNEUMATIC,9" WHEEL,W/FORK,LEFT,E-1202-011	1	N/A	N/A	
A1	NUTNYLK1006	NUT,NYLOCK,BLACK ZINC,3/8-16	1	\$1.05	\$2.68	
A2	SCRHHCS1273	SCREW,HHCS,BLACK ZINC,3/8-16 X 4.50",GRADE 10.9	1	\$1.05	\$2.68	
A3	DWR1500A021	SPACER,STEEL,0.377"ID X 1.00"OD X 0.52"TH,A-1500-021	2	\$2.1	\$5.36	
B1 — B3	FRMASMB5751	FORK,ASSY,CASTER,9",VIBE,C-1202-013	1	\$10.5	\$26.78	
B1	DWR1506E004	FORK,CASTER WELDMENT,9",E-1506-004	1	\$8.4	\$21.42	
B2	DWR1500B007	PIVOT STUD,CASTER FORK,5/8-18,,B-1500-007	1	\$1.05	\$2.68	
B3	NUTNJAM1022	NUT,NYLOCK JAM,ZINC,5/8-18	1	\$1.05	\$2.68	
C1 — D3	WHLASMB1788	WHEEL,ASSY,PNEUMATIC,9",2.80/2.50-4,AQUA TREAD PATTERN,D-1203-012	1	\$45.36	\$115.67	
C1	PLSINDV1003	CAP,BLACK,VALVE	1	\$1.05	\$2.68	
C2	TUBSTND1011	TUBE,2.80/2.50-4,ITM2504-11 W/VALVE CAP	1	\$6.3	\$16.07	
C3	WHLRIMS1020	WHEEL,RIM,BLACK,3.95"DIAM X 1.65 DEPTH,REAR, INNER	1	\$6.3	\$16.07	
C4	WHLRIMS1015	WHEEL,RIM,BLACK,5",FRONT, EXTERIOR W/VALVE STEM HOLE, XL	1	\$13.65	\$34.81	
C5	TIRPNEU1031	TIRE,PNEUMATIC,2.80/2.50-4",AQUATREAD,GRAY,C-179N-1	1	\$7.35	\$18.74	
C6	NUTSTD1001	NUT,5/16-24	4	\$1.05	\$2.68	
C7	WASLOCK1031	WASHER,LOCK,ZINC,0.3125" ID X 0.50" OD X 0.0937" TH	4	\$1.05	\$2.68	
C8	DWR7700A010	SLIP COVER,VALVE STEM,35PSI,2.4 BAR,MAX RATING,A-7700-010	1	\$1.05	\$2.68	
D1 — D3	WHLASMB1787	WHEEL,ASSY,HUB,2.75"BC,W/BEARINGS & SPACER,B-1203-005	1	\$11.55	\$29.45	
D1	BRGBTRA1007	BEARING, BALL,0.625"ID X 1.375"OD X 0.4331",DOUBLE SEAL W/SNAP RING	2	\$1.05	\$2.68	
D2	DWR1000C357	WHEEL,HUB,2.75"BC,W/STUDS,C-1000-357	1	\$9.45	\$24.1	
D3	DWR1500B056	SPACER,STEEL,9" CASTER BEARING,0.377" ID X 0.623" SHOULDER DIA,B-1500-056	1	\$1.05	\$2.68	

**Notes :**

\*A1 — D3 Both assemblies contain identical components. There are left and right sides for assembly purposes.

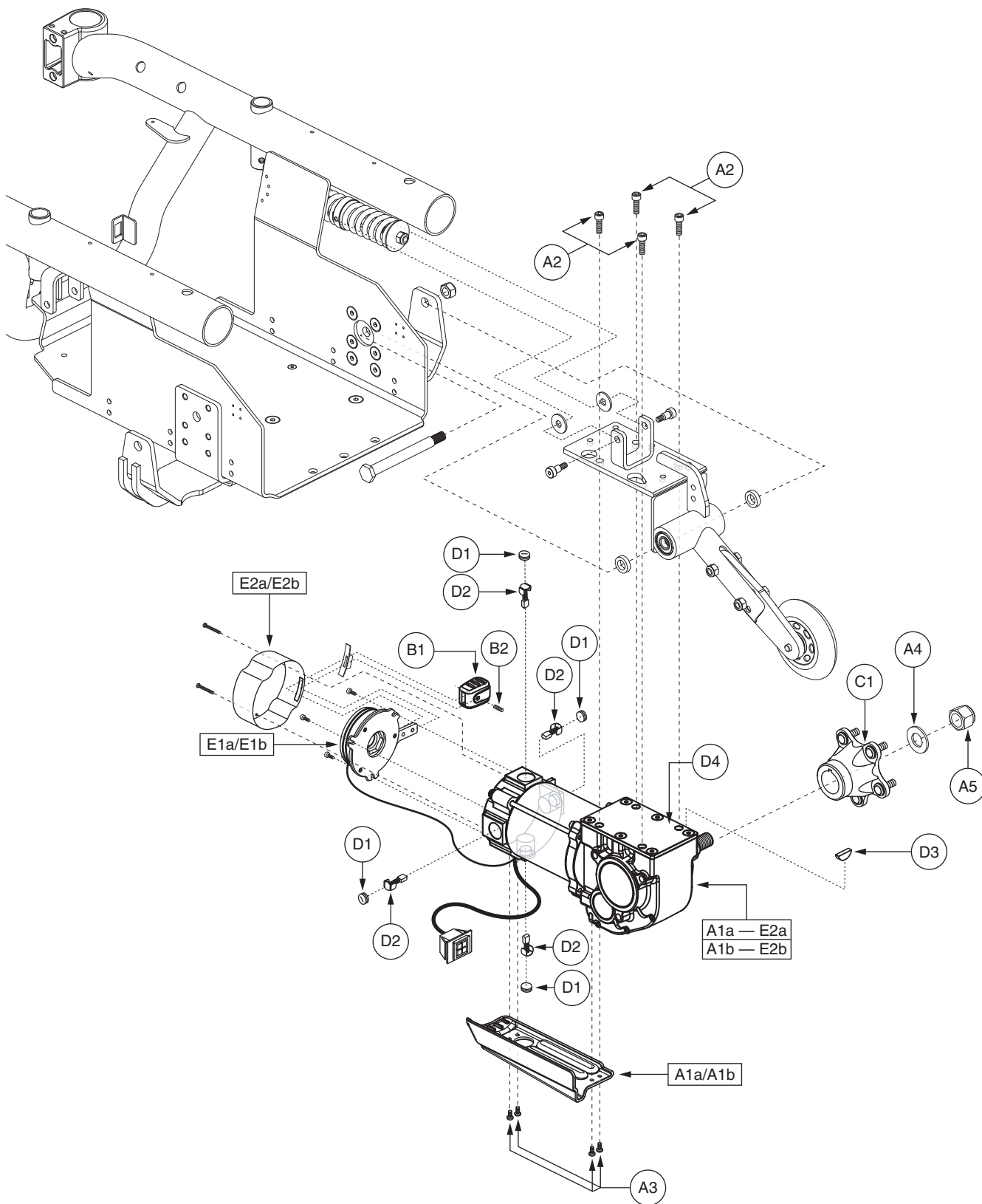


### III. Caster Assembly — 9” Flat-free

REF #	PART #	DESCRIPTION	QTY	Dealer \$	MSRP	11i
<b>A1 — D3</b>	<b>FRMASMB11270</b>	<b>CASTER,ASSY,FLAT FREE,9" WHEEL,W/FORK,PAIR,R4000</b>	<b>1</b>	<b>\$143.64</b>	<b>\$366.28</b>	
<b>*A1 — D3</b>	<b>FRMASMB11272</b>	<b>CASTER,ASSY,FLAT FREE,9" WHEEL,W/FORK,RIGHT,E-1202-010</b>	<b>1</b>	<b>\$71.82</b>	<b>\$183.14</b>	
<b>*A1 — D3</b>	<b>FRMASMB11271</b>	<b>CASTER,ASSY,FLAT FREE,9" WHEEL,W/FORK,LEFT,E-1202-009</b>	<b>1</b>	<b>\$71.82</b>	<b>\$183.14</b>	
A1	NUTNYLK1006	NUT,NYLOCK,BLACK ZINC,3/8-16	1	\$1.05	\$2.68	
A2	SCRHHCS1273	SCREW,HHCS,BLACK ZINC,3/8-16 X 4.50",GRADE 10.9	1	\$1.05	\$2.68	
A3	DWR1500A021	SPACER,STEEL,0.377"ID X 1.00"OD X 0.52"TH,A-1500-021	2	\$2.1	\$5.36	
<b>B1 — B3</b>	<b>FRMASMB5751</b>	<b>FORK,ASSY,CASTER,9",VIBE,C-1202-013</b>	<b>1</b>	<b>\$10.5</b>	<b>\$26.78</b>	
B1	DWR1506E004	FORK,CASTER WELDMENT,9",E-1506-004	1	\$8.4	\$21.42	
B2	DWR1500B007	PIVOT STUD,CASTER FORK,5/8-18,,B-1500-007	1	\$1.05	\$2.68	
B3	NUTNJAM1022	NUT,NYLOCK JAM,ZINC,5/8-18	1	\$1.05	\$2.68	
<b>C1 — D3</b>	<b>WHLASMB1789</b>	<b>WHEEL,ASSY,FLAT FREE,9",2.80/2.50-4,AQUA TREAD PATTERN,D-1203-013</b>	<b>1</b>	<b>\$66.15</b>	<b>\$168.68</b>	
C1	WHLRIMS1020	WHEEL,RIM,BLACK,3.95"DIAM X 1.65 DEPTH,REAR, INNER	1	\$6.3	\$16.07	
C2	WHLRIMS1015	WHEEL,RIM,BLACK,5",FRONT, EXTERIOR W/VALVE STEM HOLE, XL	1	\$13.65	\$34.81	
C3	TIRSOLI1034	TIRE,FLAT FREE,2.80 X 2.50 PRIMO DURATRAP	1	\$36.75	\$93.71	
C4	NUTSTD1001	NUT,5/16-24	4	\$1.05	\$2.68	
C5	WASLOCK1031	WASHER,LOCK,ZINC,0.3125" ID X 0.50" OD X 0.0937" TH	4	\$1.05	\$2.68	
<b>D1 — D3</b>	<b>WHLASMB1787</b>	<b>WHEEL,ASSY,HUB,2.75"BC,W/BEARINGS &amp; SPACER,B-1203-005</b>	<b>1</b>	<b>\$11.55</b>	<b>\$29.45</b>	
D1	BRGBTRA1007	BEARING, BALL,0.625"ID X 1.375"OD X 0.4331",DOUBLE SEAL W/SNAP RING	2	\$1.05	\$2.68	
D2	DWR1000C357	WHEEL,HUB,2.75"BC,W/STUDS,C-1000-357	1	\$9.45	\$24.1	
D3	DWR1500B056	SPACER,STEEL,9" CASTER BEARING,0.377" ID X 0.623" SHOULDER DIA,B-1500-056	1	\$1.05	\$2.68	

**Notes :**

**\*A1 — D3** Both assemblies contain identical components. There are left and right sides for assembly purposes.



**\*Note:** Right side shown.



# IV. Motor Assembly — High Speed Hammer

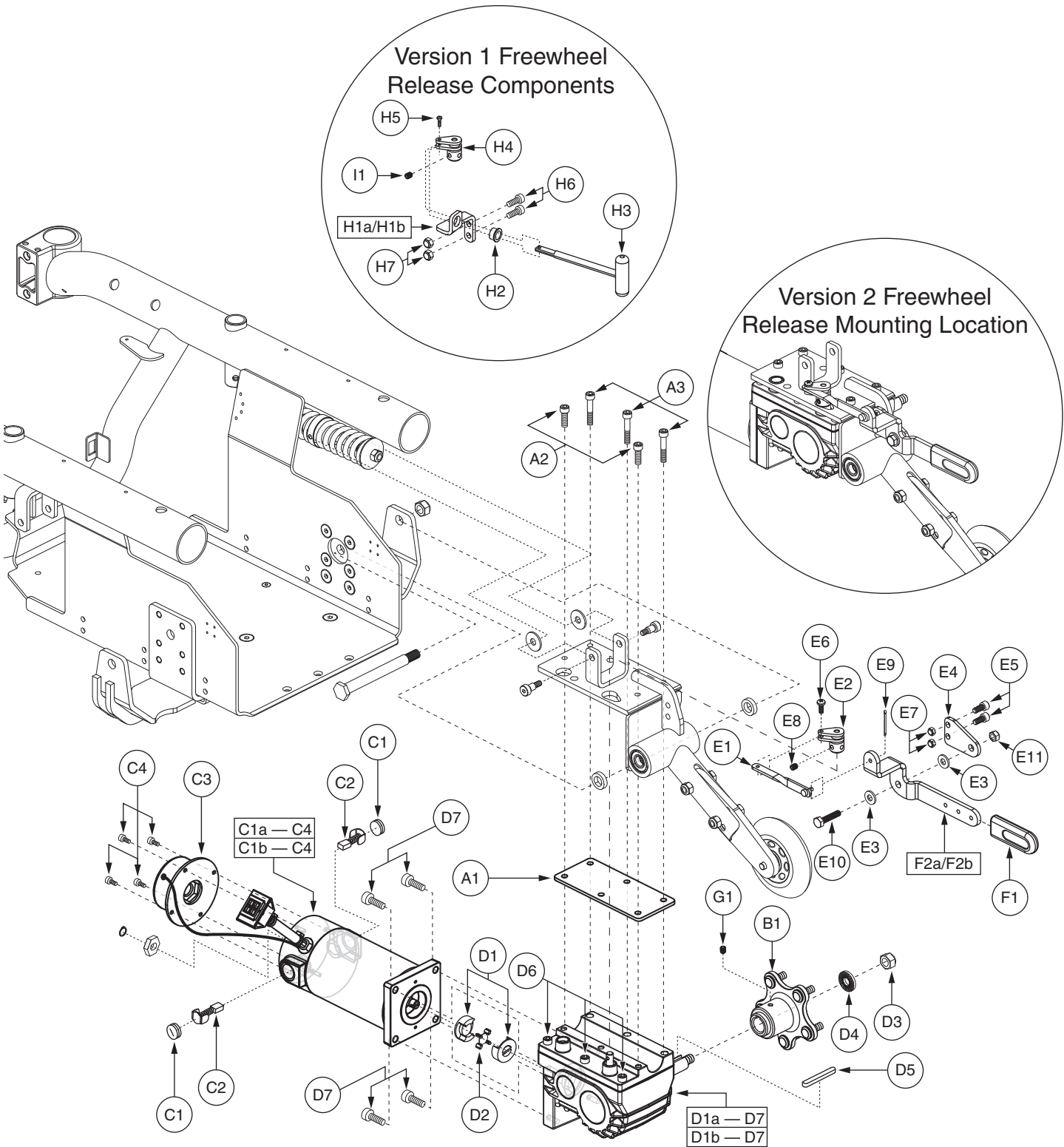
REF #	PART #	DESCRIPTION	QTY	Dealer \$	MSRP	11i
A1 — E2	DRVASMB1961	MOTOR,ASSY,DRIVE,ES712,HIGH SPEED,HAMMER,INDIVIDUAL BRAKE LEVERS,W/HUB,PAIR	1	\$1270.08	\$3238.7	
A1a — E2a	DRVASMB1962	MOTOR,ASSY,DRIVE,ES712,HIGH SPEED,HAMMER,INDIVIDUAL BRAKE LEVERS,RIGHT,W/ HUB,D-1505-073	1	\$635.04	\$1619.35	
A1b — E2b	DRVASMB1963	MOTOR,ASSY,DRIVE,ES712,HIGH SPEED,HAMMER,INDIVIDUAL BRAKE LEVERS,LEFT,W/ HUB,D-1505-074	1	\$635.04	\$1619.35	
A1a	DWR1000C410	COVER,MOTOR CABLE GUARD,MODIFIED,RIGHT,C-1000-410	1	\$5.04	\$12.85	
A1b	DWR1000C409	COVER,MOTOR CABLE GUARD,MODIFIED,LEFT,C-1000-409	1	\$5.04	\$12.85	
A2	SCRSHCS1172	SCREW,SHCS,BLACK ZINC,M8-1.25 X 25MM,GRADE 12.9	4	\$1.05	\$2.68	
A3	SCRPPH1036	SCREW,PPH,BLACK ZINC,M4-.7 X 8MM	4	\$1.05	\$2.68	
A4	WASSTND1141	WASHER,FLAT,BLACK ZINC,STEEL,0.668" ID X 1.262" OD X 0.101" TH	1	\$1.05	\$2.68	
A5	NUTNYLK1091	NUT,NYLOCK,BLACK ZINC,5/8-18	1	\$1.05	\$2.68	
B1 — B2	FRMASMB8691	FREEWHEEL,ASSY,RELEASE HANDLE GRIP,B-1160-051	1	\$2.1	\$5.36	
B1	DWR1160C017	HANDLE,GRIP,YELLOW,C-1160-017	1	\$1.05	\$2.68	
B2	SCRSETS1099	SCREW,SET,BLACK ZINC,M4-.7 X 16MM	1	\$1.05	\$2.68	
C1	WHLASMB1644	WHEEL,ASSY,HUB,W/STUDS,B-1059-025	1	\$17.09	\$43.57	
D1 — E2a	DRVMOTR1312	MOTOR,DRIVE,ES712,HIGH SPEED,HAMMER,TAPERED SHAFT W/15" LEADS,RIGHT,E1210-021,(ELECTROCRAFT: 712-112-005-03)	1	\$422.1	\$1076.36	
D1 — E2b	DRVMOTR1313	MOTOR,DRIVE,ES712,HIGH SPEED,HAMMER,TAPERED SHAFT W/15" LEADS,LEFT,E-1210-022,(ELECTROCRAFT: 712-113-006-03)	1	\$422.1	\$1076.36	
D1	PLSINDV1221	MOTOR,BRUSH CAP,HAMMER,(RELIANCE: 0003-0285)	4	\$2.52	\$6.43	
D2	DRVBRSH1021	MOTOR,BRUSH,HAMMER,(RELIANCE: 0002-6974)	4	\$3.53	\$9	
D3	INDPART2431	KEY,WOODRUFF,#606,0.1875 X 0.740	1	\$1.05	\$2.68	
D4	FRMASMB8692	MOTOR,ASSY,GEARBOX COVER,HAMMER,LEFT/RIGHT,(RELIANCE: 1170048071)	1	\$6.96	\$20.88	
E1a — E2a	DRVASMB1966	BRAKE,ASSY,CHAIN TAIL,HAMMER,RIGHT	1	\$281.79	\$718.56	
E1b — E2b	DRVASMB1965	BRAKE,ASSY,CHAIN TAIL,HAMMER,LEFT	1	\$281.79	\$718.56	
E1a	DRV1072	BRAKE,CHAIN TAIL,24VDC,12.5W,RIGHT,(ELECTROCRAFT: 0002-9430)	1	\$251.17	\$640.48	
E1b	DRV1071	BRAKE,CHAIN TAIL,24VDC,12.5W,LEFT,(ELECTROCRAFT: 0002-9429)	1	\$251.17	\$640.48	
E2a	BRKINDV1148	BRAKE,CAP,HAMMER,RIGHT,(RELIANCE: 03-006867)	1	\$30.62	\$78.08	
E2b	BRKINDV1147	BRAKE,CAP,HAMMER,LEFT,(RELIANCE: 03-006868)	1	\$30.62	\$78.08	

### Notes :

Top-level assemblies will include components designated with corresponding lower-case letters. Parts without lower-case extensions will be included in all top-level assemblies.

# IV. Motor Assembly — Glide

When replacing freewheel release components, visually inspect the parts to ensure proper version 1 or version 2 replacement parts are selected.



**\*Note:** Right side shown.

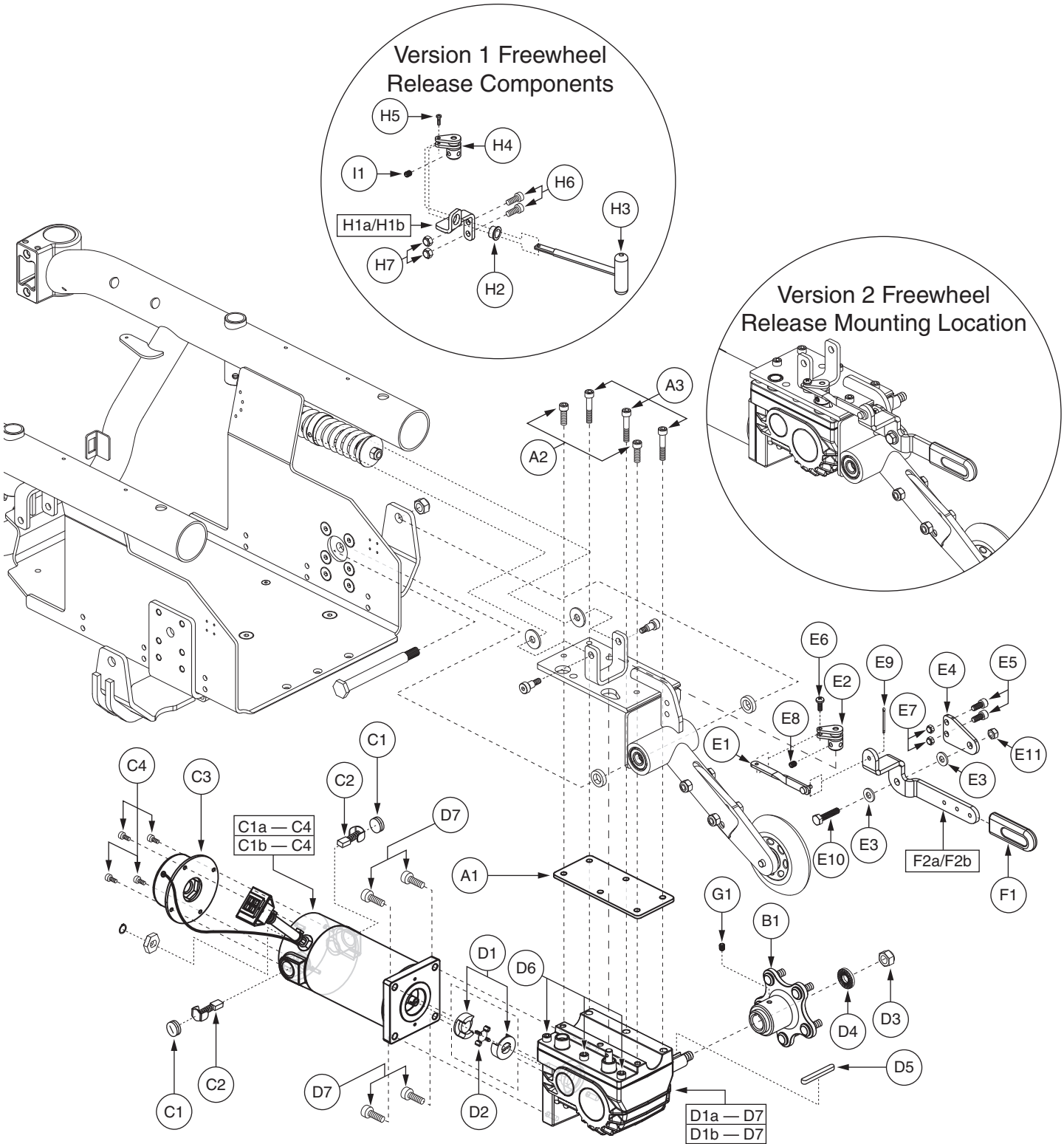
# IV. Motor Assembly — Glide

REF #	PART #	DESCRIPTION	QTY	Dealer \$	11i MSRP
A1 - F2	DRVASMB1939	MOTOR,ASSY,DRIVE,E684 GLIDE,INDIVIDUAL BRAKE LEVERS,PAIR	1	\$970.2	\$2474.01
A1 - F2a	DRVASMB1938	MOTOR,ASSY,DRIVE,E684 GLIDE,INDIVIDUAL BRAKE LEVERS,RIGHT,E-1505-084	1	\$485.1	\$1237.01
A1 - F2b	DRVASMB1937	MOTOR,ASSY,DRIVE,E684 GLIDE,INDIVIDUAL BRAKE LEVERS,LEFT,E-1505-083	1	\$485.1	\$1237.01
A1	DWR1505D055	MOTOR,SPACER,RL GEARBOX,D-1505-055	1	\$3.15	\$8.03
A2	SCRSHCS1192	SCREW,SHCS,BLACK ZINC,M6-1.0 X 20MM,GRADE 12.9	2	\$1.05	\$2.68
A3	SCRSHCS1084	SCREW,SHCS,BLACK ZINC,M6-1.0 X 35MM,GRADE 12.9	3	\$1.05	\$2.68
B1	WHLASMB1747	WHEEL,ASSY,HUB,W/STUDS,B-1203-001	1	\$13.36	\$34.06
C1a - D7	DRVASMB1903	MOTOR,ASSY,DRIVE,E684,W/GEARBOX,LEFT HAND MWD,RIGHT HAND RWD,E-1210-001,(ELECTRORAFT: 684-007-003)	1	\$306.18	\$780.76
C1b - D7	DRVASMB1904	MOTOR,ASSY,DRIVE,E684,W/GEARBOX,RIGHT HAND MWD,LEFT HAND RWD,E-1210-002,(ELECTRORAFT: 684-008-004)	1	\$306.18	\$780.76
C1a - C4	DRVMOTR1297	MOTOR,DRIVE,E684,W/BRAKE,LEFT HAND MWD,RIGHT HAND RWD,E-1210-005,(ELECTRORAFT:0684-07-007-1)	1	\$189	\$481.95
C1b - C4	DRVMOTR1298	MOTOR,DRIVE,E684,W/BRAKE,RIGHT HAND MWD,LEFT HAND RWD,E-1210-006,(ELECTRORAFT:0684-07-008-1)	1	\$189	\$481.95
C1	PLSINDV1165	BRUSH CAP,MOTOR,702/670/679/925,(ELECTRORAFT: 0003-0280)	2	\$1.05	\$2.68
C2	DRVBRSH1018	MOTOR,BRUSH,JAZZY,(RELIANCE: 0002-6970)	2	\$18.17	\$46.33
C3	DRV1070	BRAKE,ASSY,24VDC,10W,(ELECTRORAFT: 0002-9431)	1	\$127	\$323.87
C4	SCRSHCS1259	SCREW,SHCS,BLACK ZINC,M4-.7 X 10MM	4	\$1.05	\$2.68
D1a - D7	DRVASMB1907	MOTOR,ASSY,RL GEARBOX,E684,LEFT HAND MWD,RIGHT HAND RWD,32:1 GEAR RATIO,E-1210-003,(ELECTRORAFT: 0011-5053)	1	\$100.8	\$257.04
D1b - D7	DRVASMB1908	MOTOR,ASSY,RL GEARBOX,E684,RIGHT HAND MWD,LEFT HAND RWD,32:1 GEAR RATIO,E-1210-004,(ELECTRORAFT: 0011-5054)	1	\$100.8	\$257.04
D1	INDPART2608	MOTOR COUPLING KEY,E684,(ELECTRORAFT: 0003-6658-3)	2	\$5.92	\$15.1
D2	INDPART2609	MOTOR COUPLING INSERT,E684,(ELECTRORAFT: 0003-6659)	1	\$5.92	\$15.1
D3	NUTNYLK1041	NUT,NYLOCK,ZINC,M10-1.25,GRADE 8	1	\$1.05	\$2.68
D4	WASSTND1138	WASHER,FLAT,BLACK ZINC,10.3MM ID X 24MM OD X 3MM TH,SERRATED,B-1005-033	1	\$1.05	\$2.68
D5	KEYSTL1015	AXLE KEY,STEEL,6MM X 6MM X 40MM,(ELECTRORAFT: 1150154006)	1	\$14.52	\$37.01
D6	SCRALNH1037	SCREW,SHCS,M6-1.0 X 16MM	3	\$1.05	\$2.68
D7	SCRSHCS1048	SCREW,SHCS,ZINC,M6-1.0 X 20MM	4	\$1.05	\$2.68
E1 - F2a	FRMASMB12869	FREEWHEEL,ASSY,RELEASE,RIGHT,R4000,C-1505-128	1	N/A	N/A
E1 - F2b	FRMASMB12868	FREEWHEEL,ASSY,RELEASE,LEFT,R4000,C-1505-127	1	N/A	N/A
E1	DWR1505C129	FREEWHEEL,RELEASE ROD,C-1505-129	1	N/A	N/A
E2	DWR1505C079	FREEWHEEL,MOTOR RELEASE LEVER WELDMENT,C-1505-079	1	\$2.52	\$6.43
E3	WASNYLN1066	WASHER,BLACK,NYLON,8MM ID X 22MM OD X 3MM TH	2	\$1.05	\$2.68
E4	DWR1505C125	MOUNTING BRACKET,FREEWHEEL RELEASE LEVER,C-1505-125	1	N/A	N/A
E5	SCRSHCS1001	SCREW,SHCS,BLACK ZINC,M6-1.0 X 16MM	2	\$1.05	\$2.68
E6	SCRPPH1148	SCREW,PPH,BLACK ZINC,M3-.5 X 10MM	1	\$1.05	\$2.68
E7	NUTNYLK1019	NUT,NYLOCK,BLACK ZINC,M6-1.0	2	\$1.05	\$2.68
E8	SCRSETS1102	SCREW,SET,M6-1.0 X 6MM,CUP POINT,W/NYLON PATCH	1	\$1.05	\$2.68
E9	PINSOTR1000	PIN, COTTER,ZINC PLATED,1/16" X 1"	1	\$1.05	\$2.68
E10	SCRHHCS1294	SCREW,HHCS,BLACK ZINC,M8-1.25 X 30MM,GRADE 10.9	1	\$1.05	\$2.68
E11	NUTNYLK1011	NUT,NYLOCK,BLACK ZINC,M8-1.25	1	\$1.05	\$2.68
F1 - F2a	FRMASMB12871	FREEWHEEL,ASSY,RELEASE LEVER,RIGHT,W/COVER,R4000,C-1505-131	1	N/A	N/A
F1 - F2b	FRMASMB12870	FREEWHEEL,ASSY,RELEASE LEVER,LEFT,W/COVER,R4000,C-1505-130	1	N/A	N/A
F1	DWR1056B069	COVER,FREEWHEEL RELEASE LEVER,B-1056-069	1	\$5.04	\$12.85

The parts list is continued on the subsequent pages.

# IV. Motor Assembly — Glide

When replacing freewheel release components, visually inspect the parts to ensure proper version 1 or version 2 replacement parts are selected.



**\*Note:** Right side shown.

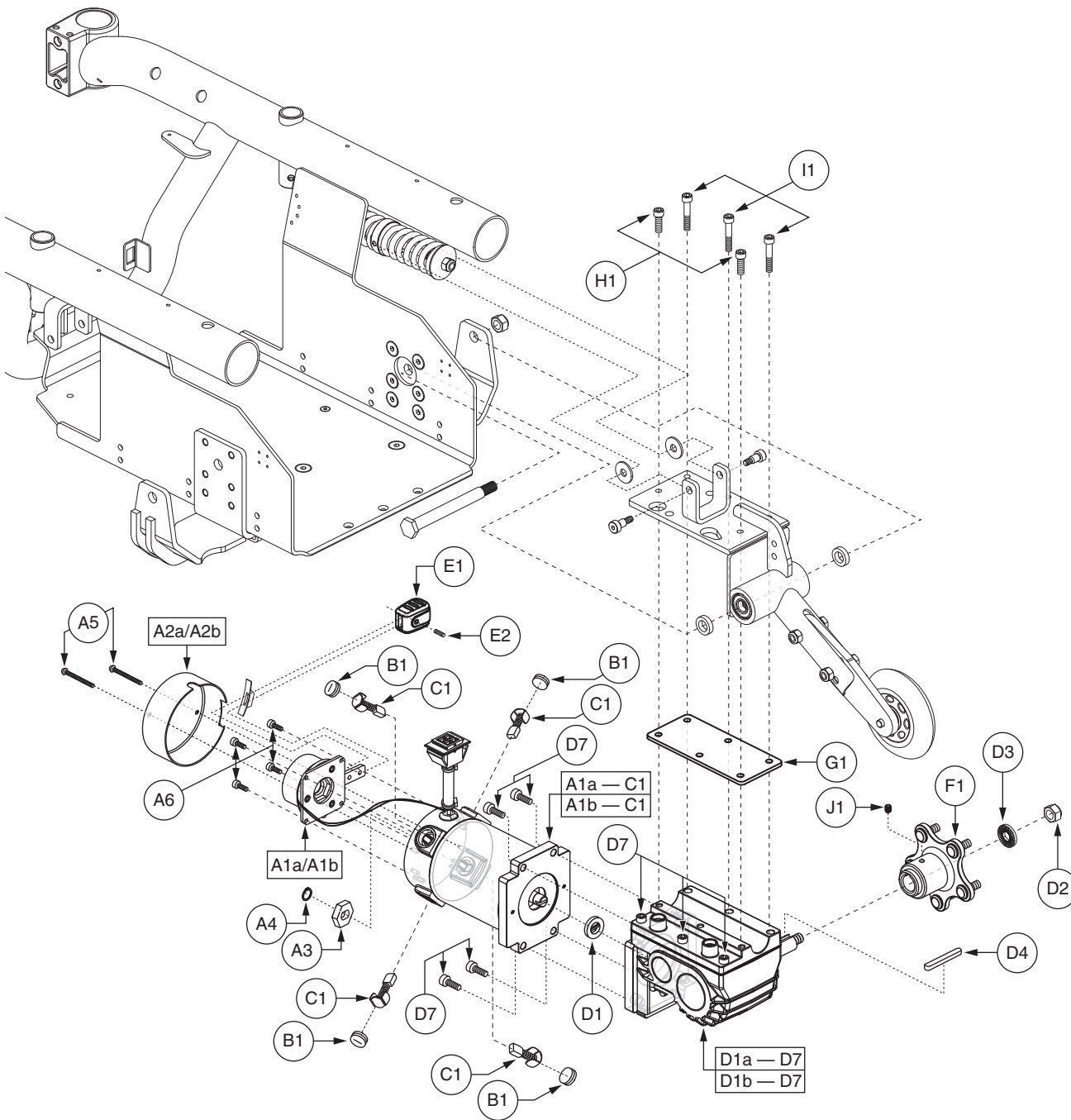
## IV. Motor Assembly — Glide

The parts list is continued from the previous pages.

REF #	PART #	DESCRIPTION	QTY	Dealer \$	MSRP	11i
F2a	DWR1505D087	FREEWHEEL, LEVER, 5MM TH, RIGHT, D-1505-087	1	N/A	N/A	
F2b	DWR1505D086	FREEWHEEL, LEVER, 5MM TH, LEFT, D-1505-086	1	N/A	N/A	
G1	SCRSETS1105	SCREW, SET, M6-1.0T X 8MM, CUP POINT, W/NYLON PATCH	1	\$1.05	\$2.68	
<b>H1a - H7</b>	<b>FRMASMB10886</b>	<b>FREEWHEEL, ASSY, RELEASE, RIGHT, VIBE, C-1505-097</b>	<b>1</b>	<b>\$5.75</b>	<b>\$14.65</b>	
<b>H1b - H7</b>	<b>FRMASMB10885</b>	<b>FREEWHEEL, ASSY, RELEASE, LEFT, VIBE, C-1505-096</b>	<b>1</b>	<b>\$5.75</b>	<b>\$14.65</b>	
H1a	DWR1505C077	FREEWHEEL, LEVER, 3MM TH, RIGHT, C-1505-077	1	\$1.13	\$2.89	
H1b	DWR1505C075	FREEWHEEL, LEVER, 3MM TH, LEFT, C-1505-075	1	\$1.13	\$2.89	
H2	BRGFLNG1044	BEARING, FLANGE, BLACK, DELRIN, 10MM ID X 13MM OD X 8MM TH X 16MM FOD X 1.50MM FTH, B-1056-046	1	\$1.05	\$2.68	
H3	DWR1505C078	FREEWHEEL, LINKAGE WELDMENT, C-1505-078	1	\$3.78	\$9.64	
H4	DWR1505C079	FREEWHEEL, MOTOR RELEASE LEVER WELDMENT, C-1505-079	1	\$2.52	\$6.43	
H5	SCRPPH1148	SCREW, PPH, BLACK ZINC, M3-.5 X 10MM	1	\$1.05	\$2.68	
H6	SCRSHCS1001	SCREW, SHCS, BLACK ZINC, M6-1.0 X 16MM	2	\$1.05	\$2.68	
H7	NUTNYLK1019	NUT, NYLOCK, BLACK ZINC, M6-1.0	2	\$1.05	\$2.68	
I1	SCRSETS1102	SCREW, SET, M6-1.0 X 6MM, CUP POINT, W/NYLON PATCH	1	\$1.05	\$2.68	

### Notes :

Top-level assemblies will include components designated with corresponding lower-case letters. Parts without lower-case extensions will be included in all top-level assemblies. When replacing freewheel release components, visually inspect the parts to ensure proper version 1 or version 2 replacement parts are selected.



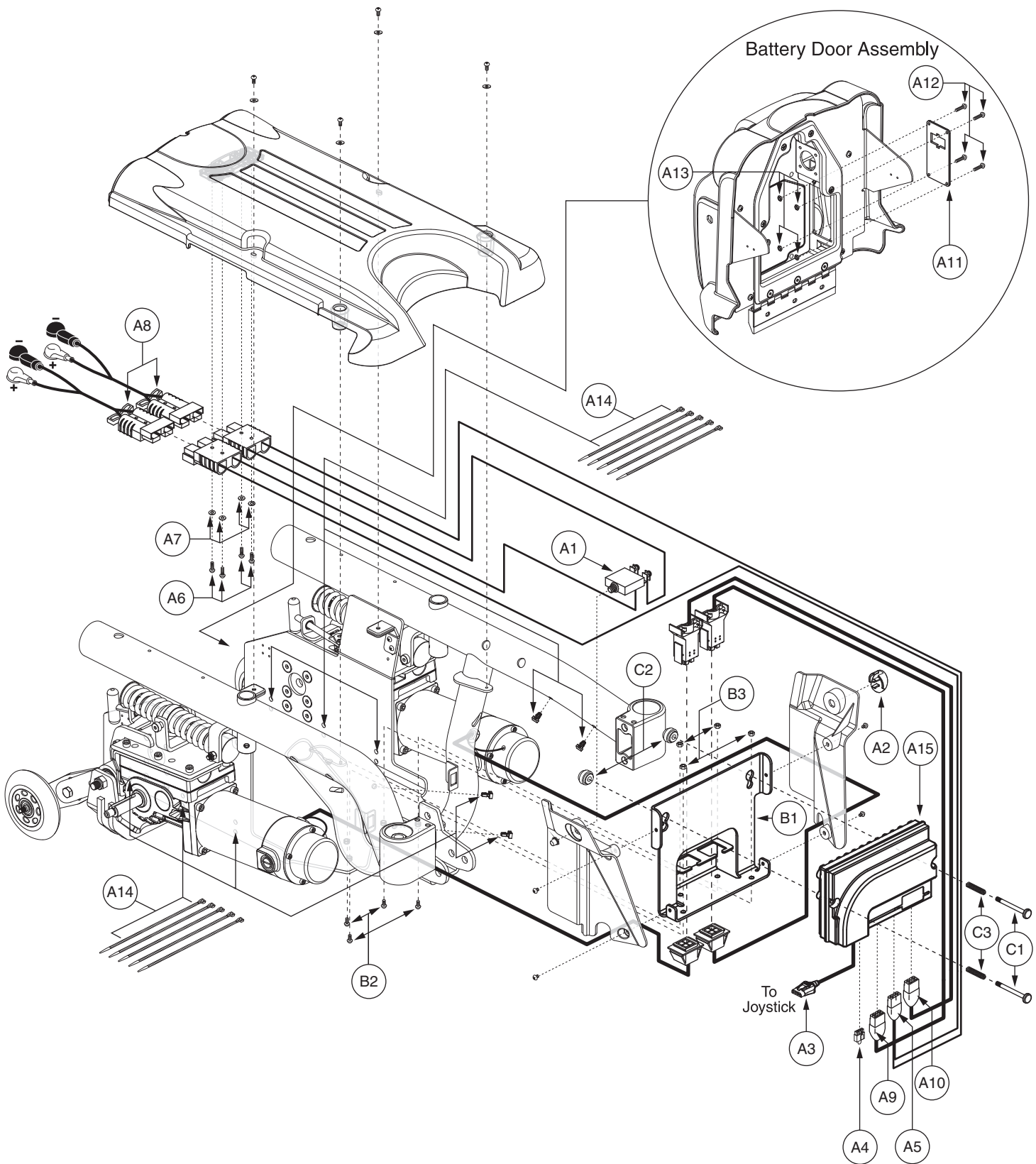


REF #	PART #	DESCRIPTION	QTY	Dealer \$	MSRP	11i
A1 - I1	DRVASMB1934	MOTOR,ASSY,DRIVE,E925,H2,INDIVIDUAL BRAKE LEVERS,W/SPACER,PAIR	1	\$720.72	\$1837.84	
A1a - I1	DRVASMB1932	MOTOR,ASSY,DRIVE,E925,H2,INDIVIDUAL BRAKE LEVERS,W/SPACER,RIGHT,D-1505-064	1	\$360.36	\$918.92	
A1b - I1	DRVASMB1933	MOTOR,ASSY,DRIVE,E925,H2,INDIVIDUAL BRAKE LEVERS,W/SPACER,LEFT,D-1505-063	1	\$360.36	\$918.92	
A1a - D7	DRVASMB1905	MOTOR,ASSY,DRIVE,E925,H2,W/GEARBOX,LEFT HAND MWD,RIGHT HAND RWD,E-1210-008,(ELECTROCRAFT: 925-100-005)	1	\$465.49	\$1187	
A1b - D7	DRVASMB1906	MOTOR,ASSY,DRIVE,E925,H2,W/GEARBOX,RIGHT HAND MWD,LEFT HAND RWD,E-1210-007,(ELECTROCRAFT: 925-100-006)	1	\$465.49	\$1187	
A1a - C1	DRVMOTR1300	MOTOR,DRIVE,E925,H2,W/BRAKE,LEFT HAND MWD,RIGHT HAND RWD,E-1210-012,(ELECTROCRAFT: 0011-5065)	1	\$302.65	\$771.76	
A1b - C1	DRVMOTR1299	MOTOR,DRIVE,E925,H2,W/BRAKE,RIGHT HAND MWD,LEFT HAND RWD,E-1210-011,(ELECTROCRAFT: 0011-5064)	1	\$177.99	\$453.87	
A1a - A6	DRVASMB1948	MOTOR,ASSY,BRAKE,E925,LEFT,(ELECTROCRAFT: 0011-5059)	1	\$201.09	\$512.78	
A1b - A6	DRVASMB1949	MOTOR,ASSY,BRAKE,E925,RIGHT,(ELECTROCRAFT: 0011-5058)	1	\$201.09	\$512.78	
A1a	DRV1068	BRAKE,ASSY,24VDC,9.2W,LEFT,(ELECTROCRAFT: 0002-9426)	1	\$171.23	\$436.65	
A1b	DRV1069	BRAKE,ASSY,24VDC,9.2W,RIGHT,(ELECTROCRAFT: 0002-9425)	1	\$171.23	\$436.65	
A2a	BRKINDV1166	CAP,MOTOR BRAKE,LEFT,(ELECTROCRAFT: 03-006875)	1	\$17.51	\$44.66	
A2b	BRKINDV1167	CAP,MOTOR BRAKE,RIGHT,(ELECTROCRAFT: 03-006874)	1	\$17.51	\$44.66	
A3	INDPART2467	BRAKE HEX HUB,7/8",(ELECTROCRAFT: 0008-8523)	1	\$3.53	\$9	
A4	RNGRTAN1042	RETAINING RING,BLACK ZINC,0.338",EXTERNAL,(ELECTROCRAFT: 1150083023)	1	\$2.52	\$6.43	
A5	SCRSHCS1238	SCREW,SHCS,BLACK ZINC,M4-.7 X 42MM	2	\$1.05	\$2.68	
A6	SCRSHCS1127	SCREW,SHCS,BLACK ZINC,M4-.7 X 10MM,GRADE 8.8	4	\$1.05	\$2.68	
B1	PLSINDV1165	BRUSH CAP,MOTOR,702/670/679/925,(ELECTROCRAFT: 0003-0280)	4	\$1.05	\$2.68	
C1	DRVBRSH1033	MOTOR,BRUSH,JAZZY MOTOR,925,(ELECTROCRAFT: 0002-6978)	4	\$2.9	\$7.39	
D1a - D7	DRVASMB1909	MOTOR,ASSY,RL GEARBOX,E925,LEFT HAND MWD,RIGHT HAND RWD,21:1 GEAR RATIO,E-1210-009,(ELECTROCRAFT: 0011-5062)	1	\$260.82	\$665.09	
D1b - D7	DRVASMB1910	MOTOR,ASSY,RL GEARBOX,E925,RIGHT HAND MWD,LEFT HAND RWD,21:1 GEAR RATIO,E-1210-010,(ELECTROCRAFT: 0011-5063)	1	\$260.82	\$665.09	
D1	INDPART2570	MOTOR,COUPLER,670/925,(ELECTROCRAFT: 0011-5061)	1	N/A	N/A	
D2	NUTNYLK1041	NUT,NYLOCK,ZINC,M10-1.25,GRADE 8	1	\$1.05	\$2.68	
D3	WASSTND1138	WASHER,FLAT,BLACK ZINC,10.3MM ID X 24MM OD X 3MM TH,SERRATED,B-1005-033	1	\$1.05	\$2.68	
D4	INDPART1925	AXLE KEY,0.236"W X 0.236" H X 1.566" L	1	\$1.05	\$2.68	
*D5	SCRALNH1037	SCREW,SHCS,M6-1.0 X 16MM	3	\$1.05	\$2.68	
*D6	SCRALNH1038	SCREW,SHCS,M6-1.0 X 30MM	3	\$1.05	\$2.68	
D7	SCRSHCS1048	SCREW,SHCS,ZINC,M6-1.0 X 20MM	7	\$1.05	\$2.68	
E1 - E2	FRMASMB8691	FREEWHEEL,ASSY,RELEASE HANDLE GRIP,B-1160-051	1	\$2.1	\$5.36	
E1	DWR1160C017	HANDLE,GRIP,YELLOW,C-1160-017	1	\$1.05	\$2.68	
E2	SCRSETS1099	SCREW,SET,BLACK ZINC,M4-.7 X 16MM	1	\$1.05	\$2.68	
F1	WHLASMB1747	WHEEL,ASSY,HUB,W/STUDS,B-1203-001	1	\$13.36	\$34.06	
G1	DWR1505D055	MOTOR,SPACER,RL GEARBOX,D-1505-055	1	\$3.15	\$8.03	
H1	SCRALNH1037	SCREW,SHCS,M6-1.0 X 16MM	2	\$1.05	\$2.68	
I1	SCRALNH1038	SCREW,SHCS,M6-1.0 X 30MM	3	\$1.05	\$2.68	
J1	SCRSETS1105	SCREW,SET,M6-1.0T X 8MM,CUP POINT,W/NYLON PATCH	1	\$1.05	\$2.68	

**Notes :**

Top-level assemblies will include components designated with corresponding lower-case letters. Parts without lower-case extensions will be included in all top-level assemblies.

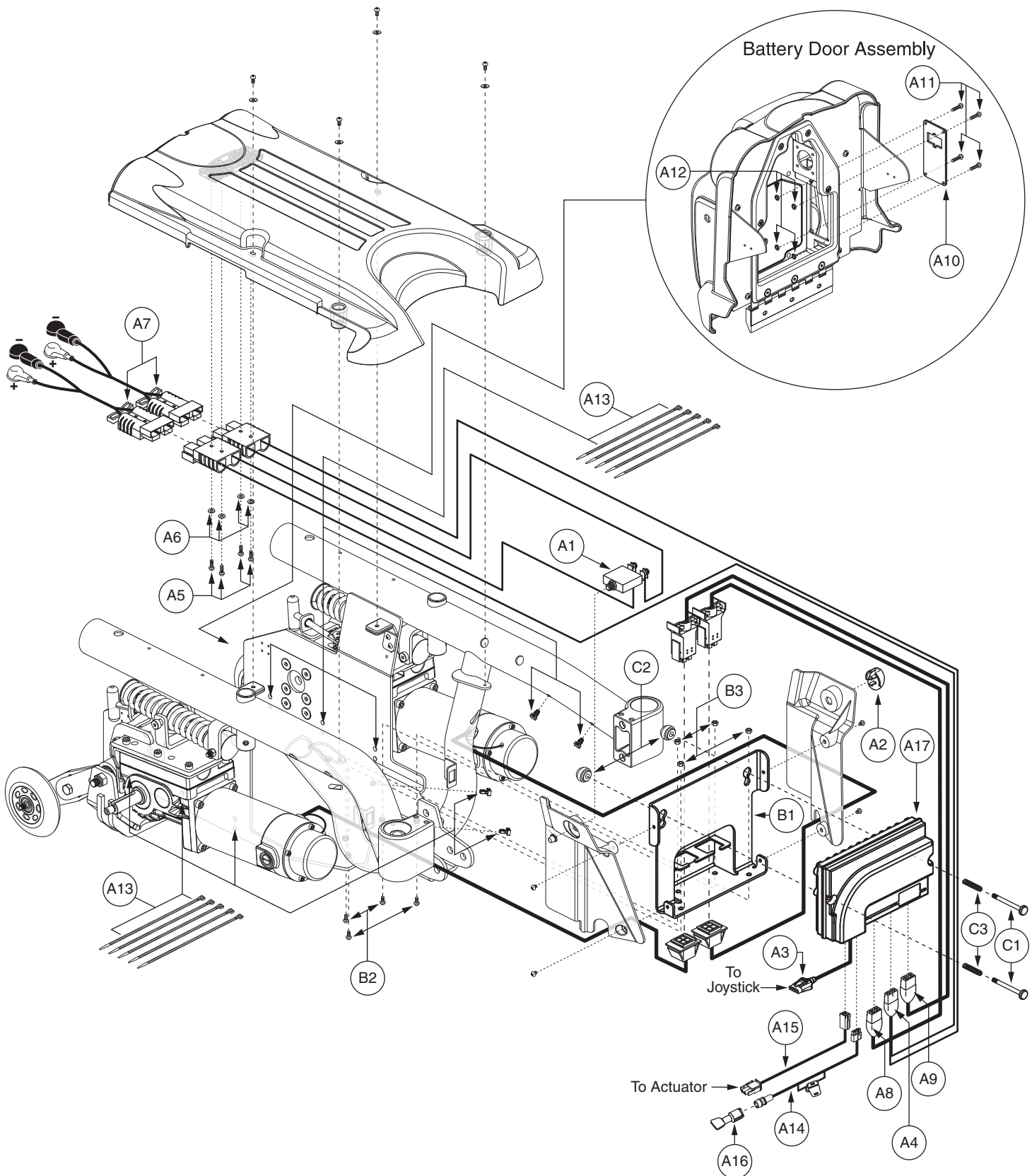
- \*D5 Not shown.
- \*D6 Not shown.



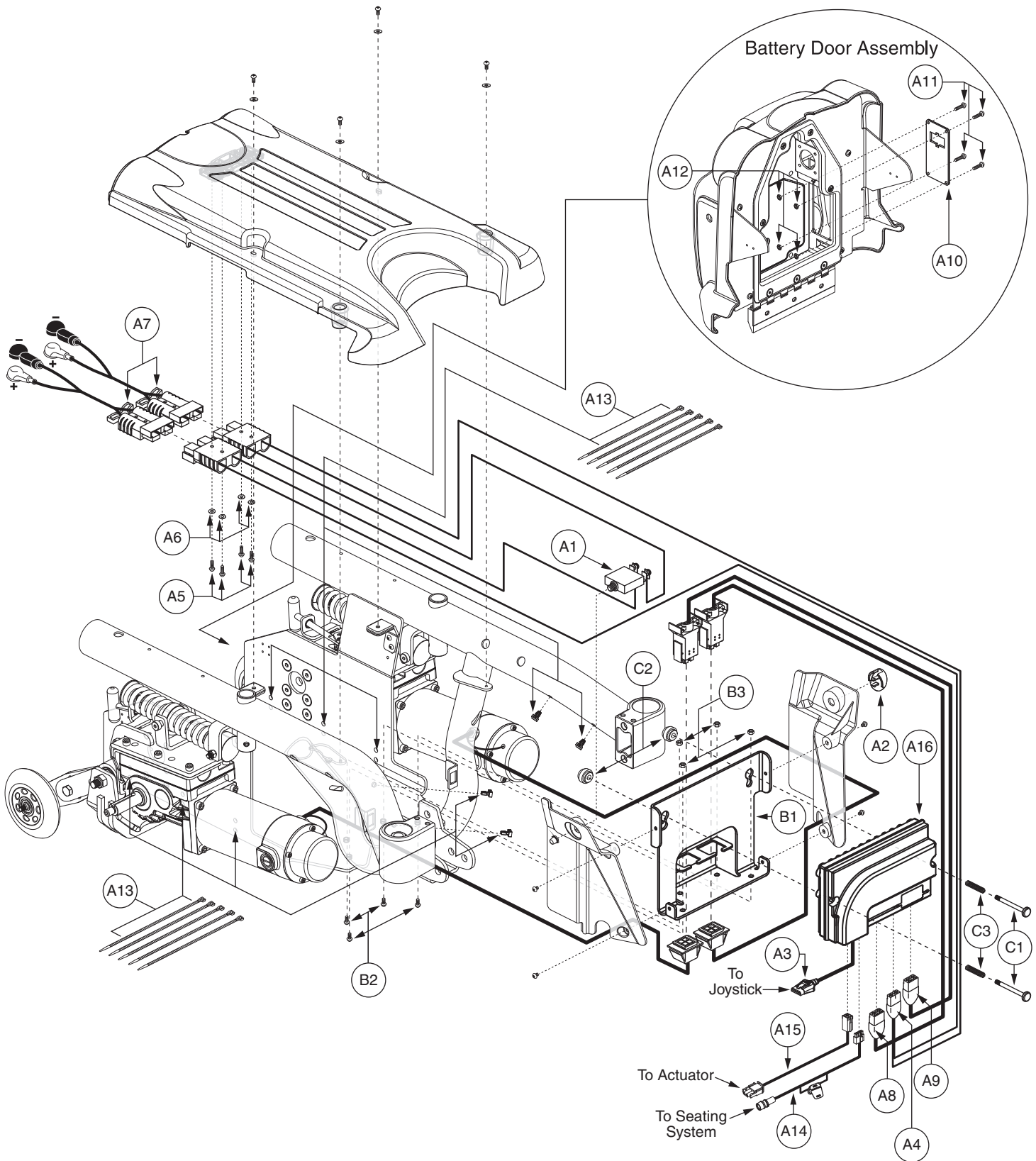


# V. Electronics Assembly — 70-amp VR2, Glide Motors

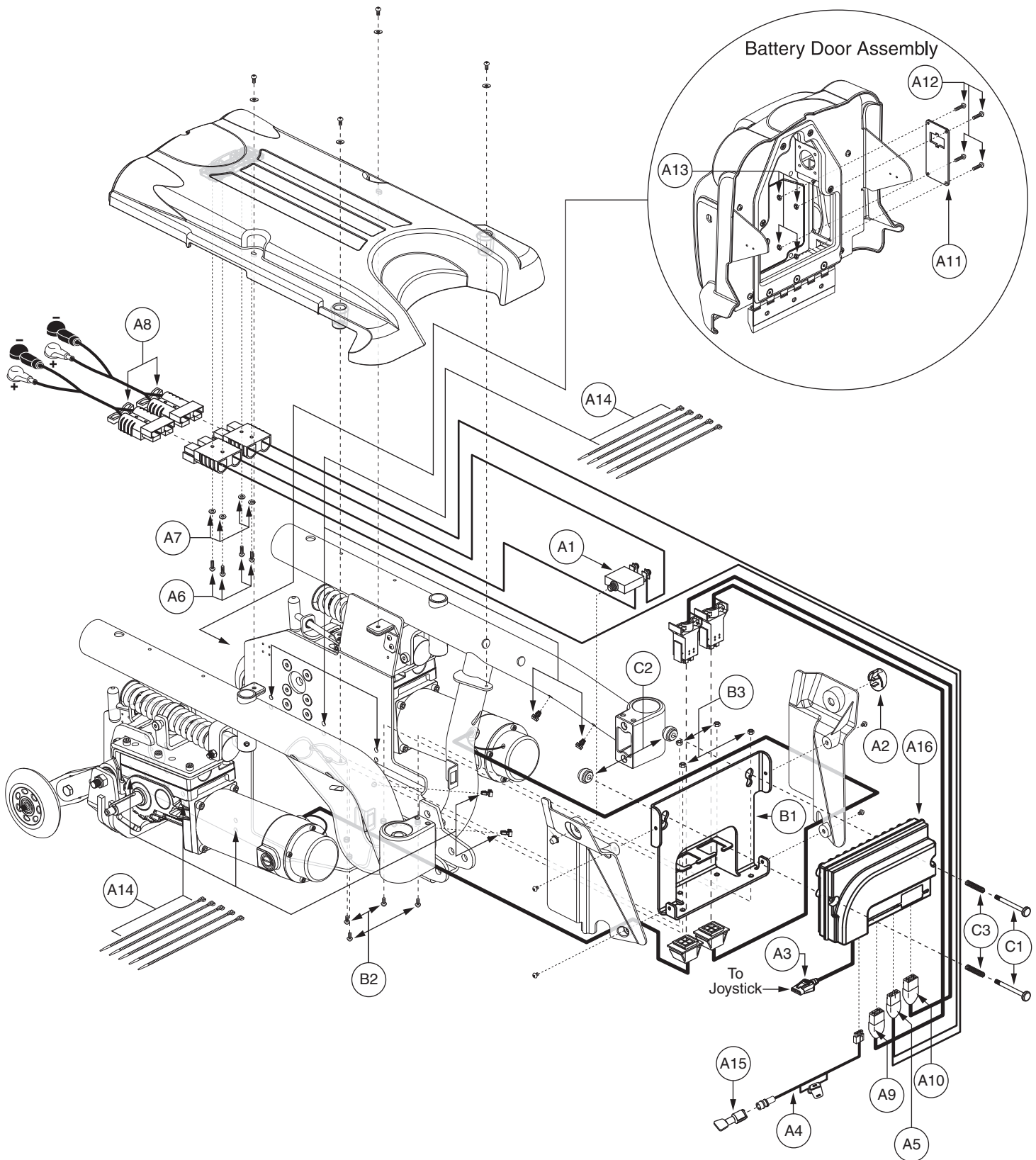
REF #	PART #	DESCRIPTION	QTY	Dealer \$	11i MSRP
<b>A1 — C3</b>	<b>ELEASMB5570</b>	<b>ELECTRONIC,ASSY,VR2,70 AMP,GLIDE MOTORS,R4000</b>	<b>1</b>	<b>\$567</b>	<b>\$1445.85</b>
A1	ELEASMB1000	ELECTRONIC,ASSY,CIRCUIT BREAKER,50 AMP,COMPLETE	1	\$12.6	\$32.13
A2	DWR1505D059	ELECTRONIC,BREAKER,PLUG,D-1505-059	1	\$1.05	\$2.68
A3	DWR1010H128	ELECTRONIC,HARNESS,VR2 EXTENSION CABLE,H-1010-128,(P&G: SA77974)	1	\$7.56	\$19.28
A4	DWR1116H054	ELECTRONIC,HARNESS,RUN PLUG,VR2,H-1116-054	1	\$3.96	\$10.09
A5	DWR1065H004	ELECTRONIC,HARNESS,BATTERY CABLE,VR2,QUANTUM6000Z/R4000,H-1065-004	1	\$30.39	\$77.5
A6	SCRPPH1374	SCREW,PPH,BLACK ZINC,M3-.5 X 18MM	4	\$1.05	\$2.68
A7	WASLOCK1069	WASHER,LOCK,BLACK ZINC,3.4MM ID X 6.2MM OD X 0.7MM TH	4	\$1.05	\$2.68
A8	ELEASMB2869	ELECTRONIC,ASSY,BATTERY CABLE,BLACK,W/125A/32V FUSEABLE LINK,QUICK DISCONNECT,H-1122-022	2	\$27.3	\$69.62
A9	DWR1505H052	ELECTRONIC,HARNESS,MOTOR,LEFT,VR2,VIBE,H-1505-052	1	\$19.61	\$49.99
A10	DWR1505H053	ELECTRONIC,HARNESS,MOTOR,RIGHT,VR2,VIBE,H-1505-053	1	\$19.61	\$49.99
A11	DWR1000B296	CAP,PLASTIC,6 PIN,3.32" X 1.60",JAZZY ELECTRONICS TRAY,B-1000-296	1	\$1.05	\$2.68
A12	SCRPPH1148	SCREW,PPH,BLACK ZINC,M3-.5 X 10MM	4	\$1.05	\$2.68
A13	NUTNYLK1072	NUT,NYLOCK,BLACK ZINC,M3-.5	4	\$1.05	\$2.68
A14	PLSTIE1004	TIE WRAP,BLACK,8"	10	\$1.05	\$2.68
A15	ELEASMB5575	CONTROLLER,VR2,70 AMP,W/R4000 GLIDE PROGRAM	1	\$214.2	\$546.21
<b>B1 — B3</b>	<b>FRMASMB11245</b>	<b>MOUNTING BRACKET,ASSY,POWER MODULE W/HARDWARE,R4000</b>	<b>1</b>	<b>\$9.07</b>	<b>\$23.13</b>
B1	DWR1505C085	POWER MODULE MOUNTING BRACKET,C-1505-085	1	\$8.82	\$22.49
B2	SCRASBH1011	SCREW,BHSCS,BLACK ZINC,M6-1.0 X 16MM,GRADE 8.8	4	\$1.05	\$2.68
B3	NUTNYLK1019	NUT,NYLOCK,BLACK ZINC,M6-1.0	4	\$1.05	\$2.68
<b>C1 — C3</b>	<b>HDWASMB1057</b>	<b>QUICK RELEASE BUTTON,ASSY,REMOTE PLUS POWER MODULE,JAZZYULTRA</b>	<b>1</b>	<b>\$25.2</b>	<b>\$64.26</b>
C1	DWR1054B040	POWER MODULE SCREW,ZINC,M5-.8 X 55MM,B-1054-040	2	\$5.25	\$13.39
C2	DWR1054A012	POWER MODULE BUTTON,ZINC,M5-.8 TAP THRU X 12MM OD,A-1054-012	2	\$3.15	\$8.03
C3	DWR1054B041	SPRING,COMPRESSION,BRIGHT ZINC,1.50" FL X 0.30" OD X 0.038" WIRE DIA X RATE:13.5LBS/IN,MUSIC WIRE,B-1054-041,(MCMMASTER CARR:9434K62)	2	\$4.2	\$10.71



REF #	PART #	DESCRIPTION	QTY	Dealer \$	11i MSRP
<b>A1 — C3</b>	<b>ELEASMB5570</b>	<b>ELECTRONIC,ASSY,VR2,70 AMP,GLIDE MOTORS,R4000</b>	<b>1</b>	<b>\$567</b>	<b>\$1445.85</b>
A1	ELEASMB1000	ELECTRONIC,ASSY,CIRCUIT BREAKER,50 AMP,COMPLETE	1	\$12.6	\$32.13
A2	DWR1505D059	ELECTRONIC,BREAKER,PLUG,D-1505-059	1	\$1.05	\$2.68
A3	DWR1010H128	ELECTRONIC,HARNESS,VR2 EXTENSION CABLE,H-1010-128,(P&G:SA77974)	1	\$7.56	\$19.28
A4	DWR1116H054	ELECTRONIC,HARNESS,RUN PLUG,VR2,H-1116-054	1	\$3.96	\$10.09
A5	DWR1065H004	ELECTRONIC,HARNESS,BATTERY CABLE,VR2,QUANTUM6000Z/R4000,H-1065-004	1	\$30.39	\$77.5
A6	SCRPPH1374	SCREW,PPH,BLACK ZINC,M3-.5 X 18MM	4	\$1.05	\$2.68
A7	WASLOCK1069	WASHER,LOCK,BLACK ZINC,3.4MM ID X 6.2MM OD X 0.7MM TH	4	\$1.05	\$2.68
A8	ELEASMB2869	ELECTRONIC,ASSY,BATTERY CABLE,BLACK,W/125A/32V FUSEABLE LINK,QUICK DISCONNECT,H-1122-022	2	\$27.3	\$69.62
A9	DWR1505H052	ELECTRONIC,HARNESS,MOTOR,LEFT,VR2,VIBE,H-1505-052	1	\$19.61	\$49.99
A10	DWR1505H053	ELECTRONIC,HARNESS,MOTOR,RIGHT,VR2,VIBE,H-1505-053	1	\$19.61	\$49.99
A11	DWR1000B296	CAP,PLASTIC,6 PIN,3.32" X 1.60",JAZZY ELECTRONICS TRAY,B-1000-296	1	\$1.05	\$2.68
A12	SCRPPH1148	SCREW,PPH,BLACK ZINC,M3-.5 X 10MM	4	\$1.05	\$2.68
A13	NUTNYLK1072	NUT,NYLOCK,BLACK ZINC,M3-.5	4	\$1.05	\$2.68
A14	PLSTIE1004	TIE WRAP,BLACK,8"	10	\$1.05	\$2.68
A15	ELEASMB5575	CONTROLLER,VR2,70 AMP,W/R4000 GLIDE PROGRAM	1	\$214.2	\$546.21
<b>B1 — B3</b>	<b>FRMASMB11245</b>	<b>MOUNTING BRACKET,ASSY,POWER MODULE W/HARDWARE,R4000</b>	<b>1</b>	<b>\$9.07</b>	<b>\$23.13</b>
B1	DWR1505C085	POWER MODULE MOUNTING BRACKET,C-1505-085	1	\$8.82	\$22.49
B2	SCRASBH1011	SCREW,BHSCS,BLACK ZINC,M6-1.0 X 16MM,GRADE 8.8	4	\$1.05	\$2.68
B3	NUTNYLK1019	NUT,NYLOCK,BLACK ZINC,M6-1.0	4	\$1.05	\$2.68
<b>C1 — C3</b>	<b>HDWASMB1057</b>	<b>QUICK RELEASE BUTTON,ASSY,REMOTE PLUS POWER MODULE,JAZZYULTRA</b>	<b>1</b>	<b>\$25.2</b>	<b>\$64.26</b>
C1	DWR1054B040	POWER MODULE SCREW,ZINC,M5-.8 X 55MM,B-1054-040	2	\$5.25	\$13.39
C2	DWR1054A012	POWER MODULE BUTTON,ZINC,M5-.8 TAP THRU X 12MM OD,A-1054-012	2	\$3.15	\$8.03
C3	DWR1054B041	SPRING,COMPRESSION,BRIGHT ZINC,1.50" FL X 0.30" OD X 0.038" WIRE DIA X RATE:13.5LBS/IN,MUSIC WIRE,B-1054-041,(MCMMASTER CARR:9434K62)	2	\$4.2	\$10.71

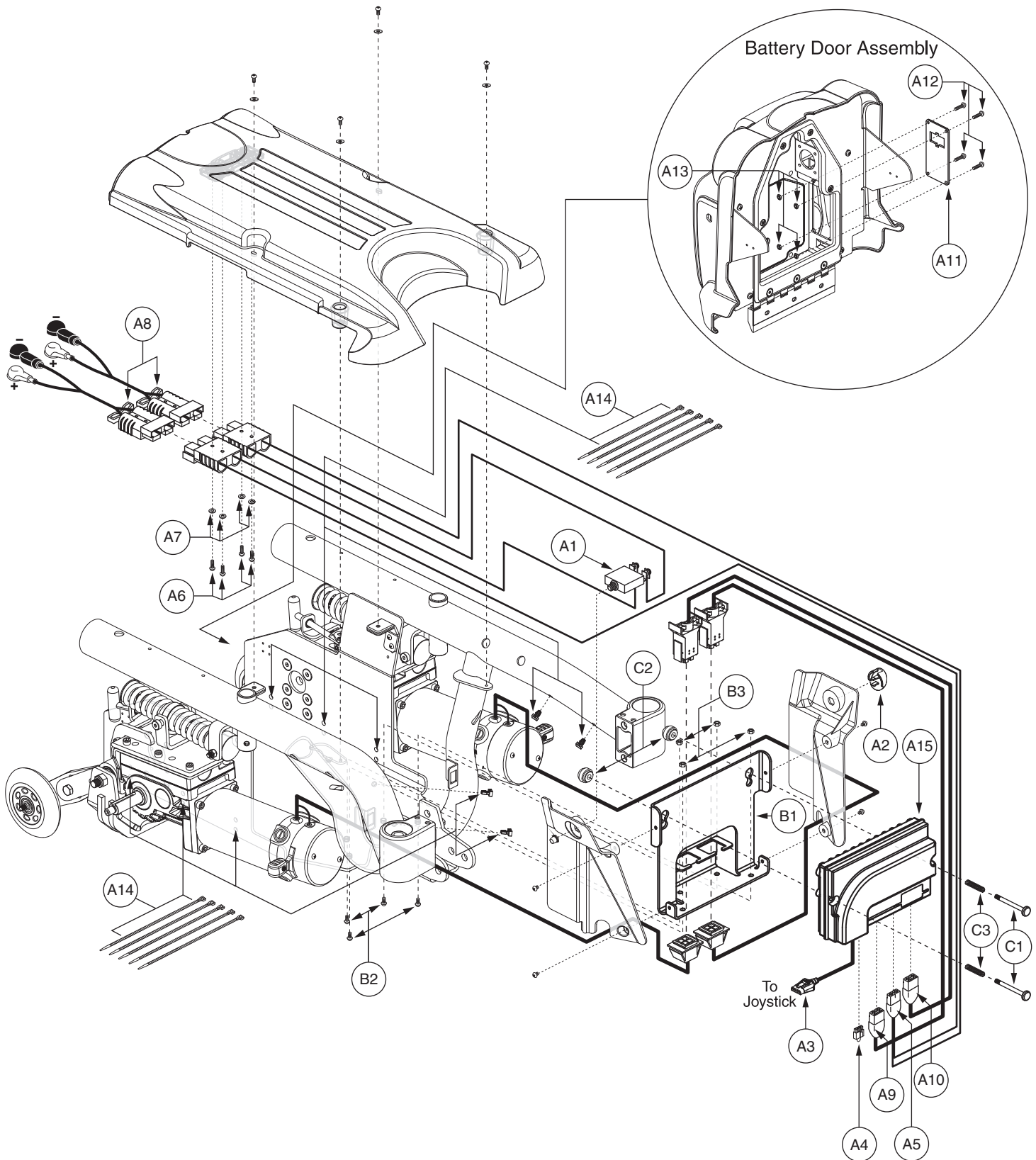


REF #	PART #	DESCRIPTION	QTY	Dealer \$	MSRP	11i
<b>A1 — C3</b>	<b>ELEASMB5726</b>	<b>ELECTRONIC,ASSY,VR2,70 AMP,GLIDE MOTORS,R4000,QUANTUM,1 ACTUATOR/THRU TOGGLE</b>	<b>1</b>	<b>\$412.98</b>	<b>\$1053.09</b>	
A1	ELEASMB1000	ELECTRONIC,ASSY,CIRCUIT BREAKER,50 AMP,COMPLETE	1	\$12.6	\$32.13	
A2	DWR1505D059	ELECTRONIC,BREAKER,PLUG,D-1505-059	1	\$1.05	\$2.68	
A3	DWR1010H128	ELECTRONIC,HARNESS,VR2 EXTENSION CABLE,H-1010-128,(P&G: SA77974)	1	\$7.56	\$19.28	
A4	DWR1065H004	ELECTRONIC,HARNESS,BATTERY CABLE,VR2,QUANTUM6000Z/R4000,H-1065-004	1	\$30.39	\$77.5	
A5	SCRPPH1374	SCREW,PPH,BLACK ZINC,M3-.5 X 18MM	4	\$1.05	\$2.68	
A6	WASLOCK1069	WASHER,LOCK,BLACK ZINC,3.4MM ID X 6.2MM OD X 0.7MM TH	4	\$1.05	\$2.68	
A7	ELEASMB2869	ELECTRONIC,ASSY,BATTERY CABLE,BLACK,W/125A/32V FUSEABLE LINK,QUICK DISCONNECT,H-1122-022	2	\$27.3	\$69.62	
A8	DWR1505H052	ELECTRONIC,HARNESS,MOTOR,LEFT,VR2,VIBE,H-1505-052	1	\$19.61	\$49.99	
A9	DWR1505H053	ELECTRONIC,HARNESS,MOTOR,RIGHT,VR2,VIBE,H-1505-053	1	\$19.61	\$49.99	
A10	DWR1000B296	CAP,PLASTIC,6 PIN,3.32" X 1.60",JAZZY ELECTRONICS TRAY,B-1000-296	1	\$1.05	\$2.68	
A11	SCRPPH1148	SCREW,PPH,BLACK ZINC,M3-.5 X 10MM	4	\$1.05	\$2.68	
A12	NUTNYLK1072	NUT,NYLOCK,BLACK ZINC,M3-.5	4	\$1.05	\$2.68	
A13	PLSTIE1004	TIE WRAP,BLACK,8"	10	\$1.05	\$2.68	
A14	DWR1265H030	ELECTRONIC,HARNESS,POWER TAKE OFF(PTO)/INHIBIT,VR2,H-1265-030	1	\$16.05	\$40.93	
A15	DWR1361H076	ELECTRONIC,HARNESS,TRU-BALANCE 2 POWER TILT/RECLINE ACTUATOR,VR2,H-1361-076	1	\$6.15	\$15.68	
A16	ELEASMB5575	CONTROLLER,VR2,70 AMP,W/R4000 GLIDE PROGRAM	1	\$214.2	\$546.21	
<b>B1 — B3</b>	<b>FRMASMB11245</b>	<b>MOUNTING BRACKET,ASSY,POWER MODULE W/HARDWARE,R4000</b>	<b>1</b>	<b>\$9.07</b>	<b>\$23.13</b>	
B1	DWR1505C085	POWER MODULE MOUNTING BRACKET,C-1505-085	1	\$8.82	\$22.49	
B2	SCRASBH1011	SCREW,BHSCS,BLACK ZINC,M6-1.0 X 16MM,GRADE 8.8	4	\$1.05	\$2.68	
B3	NUTNYLK1019	NUT,NYLOCK,BLACK ZINC,M6-1.0	4	\$1.05	\$2.68	
<b>C1 — C3</b>	<b>HDWASMB1057</b>	<b>QUICK RELEASE BUTTON,ASSY,REMOTE PLUS POWER MODULE,JAZZYULTRA</b>	<b>1</b>	<b>\$25.2</b>	<b>\$64.26</b>	
C1	DWR1054B040	POWER MODULE SCREW,ZINC,M5-.8 X 55MM,B-1054-040	1	\$5.25	\$13.39	
C2	DWR1054A012	POWER MODULE BUTTON,ZINC,M5-.8 TAP THRU X 12MM OD,A-1054-012	1	\$3.15	\$8.03	
C3	DWR1054B041	SPRING,COMPRESSION,BRIGHT ZINC,1.50" FL X 0.30" OD X 0.038" WIRE DIA X RATE:13.5LBS/IN,MUSIC WIRE,B-1054-041,(MCMaster CARR:9434K62)	1	\$4.2	\$10.71	



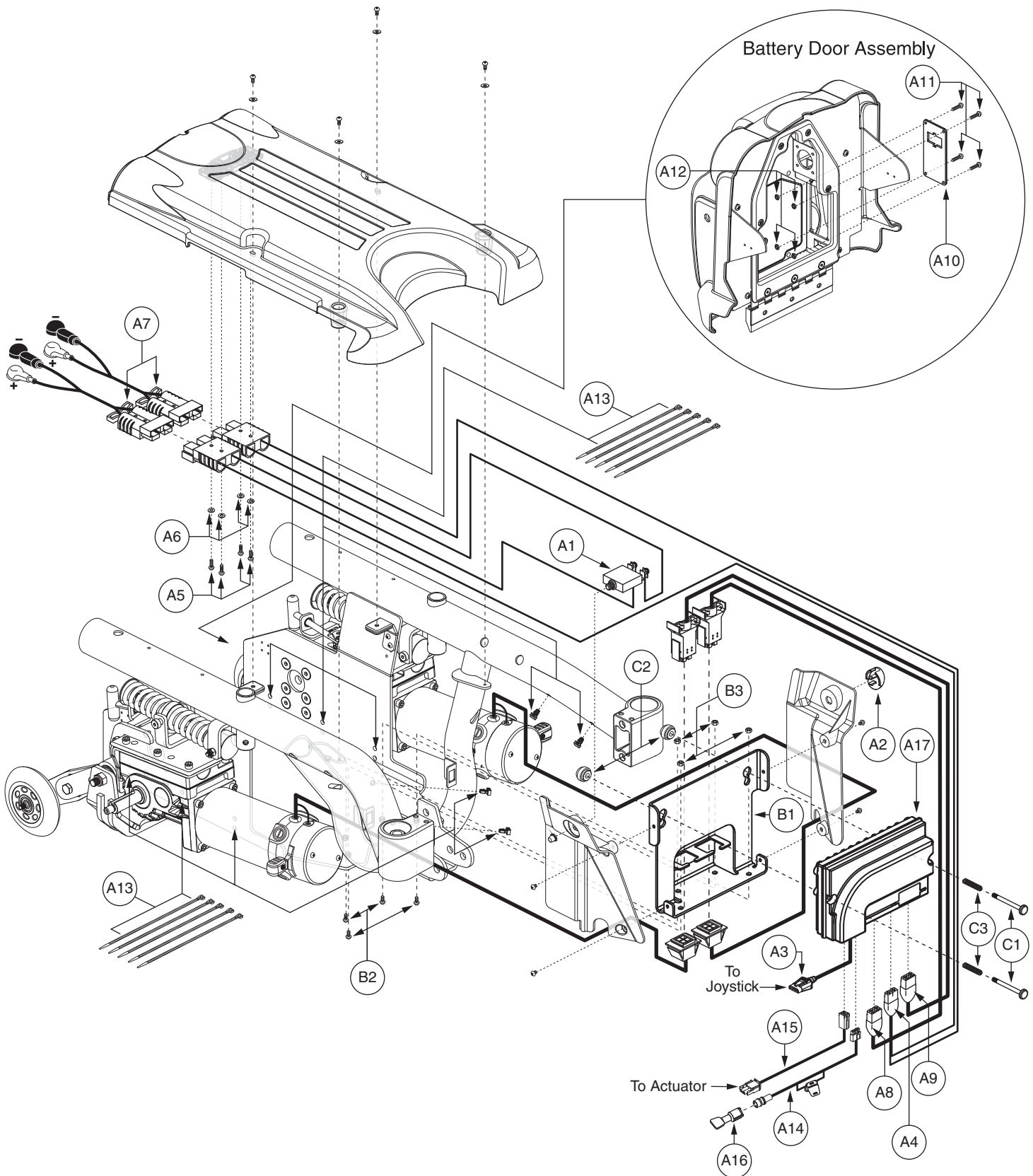


REF #	PART #	DESCRIPTION	QTY	Dealer \$	MSRP	11i
<b>A1 — C3</b>	<b>ELEASMB5854</b>	<b>ELECTRONIC,ASSY,VR2,70 AMP,GLIDE MOTORS,R4000,FUTURE ACTUATOR EXPANSION</b>	<b>1</b>	<b>\$444.17</b>	<b>\$1132.63</b>	
A1	ELEASMB1000	ELECTRONIC,ASSY,CIRCUIT BREAKER,50 AMP,COMPLETE	1	\$12.6	\$32.13	
A2	DWR1505D059	ELECTRONIC,BREAKER,PLUG,D-1505-059	1	\$1.05	\$2.68	
A3	DWR1010H128	ELECTRONIC,HARNESS,VR2 EXTENSION CABLE,H-1010-128,(P&G: SA77974)	1	\$7.56	\$19.28	
A4	DWR1265H030	ELECTRONIC,HARNESS,POWER TAKE OFF(PTO)/INHIBIT,VR2,H-1265-030	1	\$16.05	\$40.93	
A5	DWR1065H004	ELECTRONIC,HARNESS,BATTERY CABLE,VR2,QUANTUM6000Z/R4000,H-1065-004	1	\$30.39	\$77.5	
A6	SCRPPH1374	SCREW,PPH,BLACK ZINC,M3-.5 X 18MM	4	\$1.05	\$2.68	
A7	WASLOCK1069	WASHER,LOCK,BLACK ZINC,3.4MM ID X 6.2MM OD X 0.7MM TH	4	\$1.05	\$2.68	
A8	ELEASMB2869	ELECTRONIC,ASSY,BATTERY CABLE,BLACK,W/125A/32V FUSEABLE LINK,QUICK DISCONNECT,H-1122-022	2	\$27.3	\$69.62	
A9	DWR1505H052	ELECTRONIC,HARNESS,MOTOR,LEFT,VR2,VIBE,H-1505-052	1	\$19.61	\$49.99	
A10	DWR1505H053	ELECTRONIC,HARNESS,MOTOR,RIGHT,VR2,VIBE,H-1505-053	1	\$19.61	\$49.99	
A11	DWR1000B296	CAP,PLASTIC,6 PIN,3.32" X 1.60",JAZZY ELECTRONICS TRAY,B-1000-296	1	\$1.05	\$2.68	
A12	SCRPPH1148	SCREW,PPH,BLACK ZINC,M3-.5 X 10MM	4	\$1.05	\$2.68	
A13	NUTNYLK1072	NUT,NYLOCK,BLACK ZINC,M3-.5	4	\$1.05	\$2.68	
A14	PLSTIE1004	TIE WRAP,BLACK,8"	10	\$1.05	\$2.68	
A15	DWR1361H038	ELECTRONIC,HARNESS,RUN PLUG,SURE SEAL,SYNERGY TILT,H-1361-038	1	\$8.06	\$20.56	
A16	ELEASMB5594	CONTROLLER,VR2,ASSY,70 AMP,1 ACTUATOR,W/R4000 GLIDE PROGRAM,QUANTUM	1	\$224.28	\$571.91	
<b>B1 — B3</b>	<b>FRMASMB11245</b>	<b>MOUNTING BRACKET,ASSY,POWER MODULE W/HARDWARE,R4000</b>	<b>1</b>	<b>\$9.07</b>	<b>\$23.13</b>	
B1	DWR1505C085	POWER MODULE MOUNTING BRACKET,C-1505-085	1	\$8.82	\$22.49	
B2	SCRASBH1011	SCREW,BHSCS,BLACK ZINC,M6-1.0 X 16MM,GRADE 8.8	4	\$1.05	\$2.68	
B3	NUTNYLK1019	NUT,NYLOCK,BLACK ZINC,M6-1.0	4	\$1.05	\$2.68	
<b>C1 — C3</b>	<b>HDWASMB1057</b>	<b>QUICK RELEASE BUTTON,ASSY,REMOTE PLUS POWER MODULE,JAZZYULTRA</b>	<b>1</b>	<b>\$25.2</b>	<b>\$64.26</b>	
C1	DWR1054B040	POWER MODULE SCREW,ZINC,M5-.8 X 55MM,B-1054-040	2	\$5.25	\$13.39	
C2	DWR1054A012	POWER MODULE BUTTON,ZINC,M5-.8 TAP THRU X 12MM OD,A-1054-012	2	\$3.15	\$8.03	
C3	DWR1054B041	SPRING,COMPRESSION,BRIGHT ZINC,1.50" FL X 0.30" OD X 0.038" WIRE DIA X RATE:13.5LBS/IN,MUSIC WIRE,B-1054-041,(MCMaster CARR:9434K62)	2	\$4.2	\$10.71	

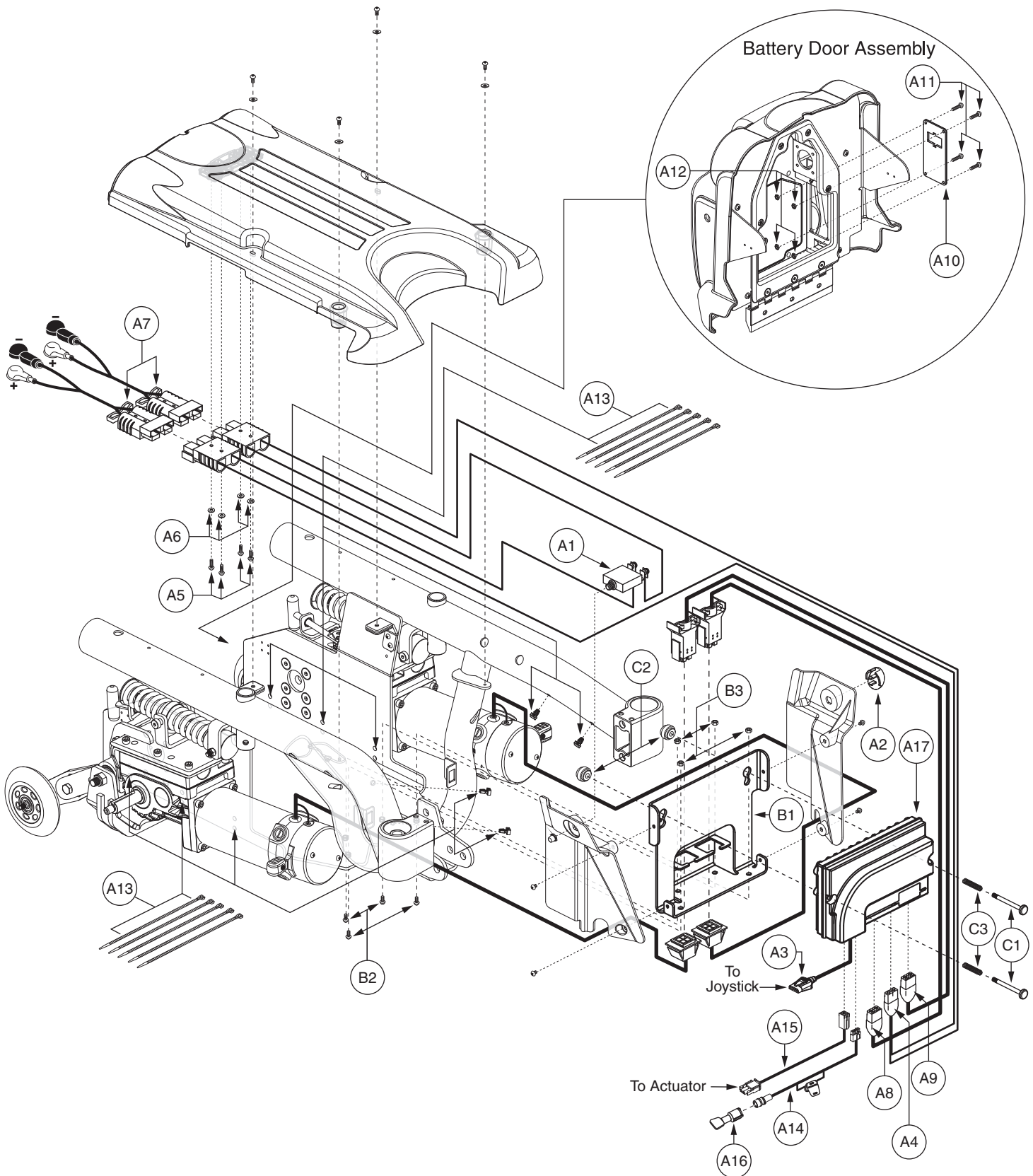




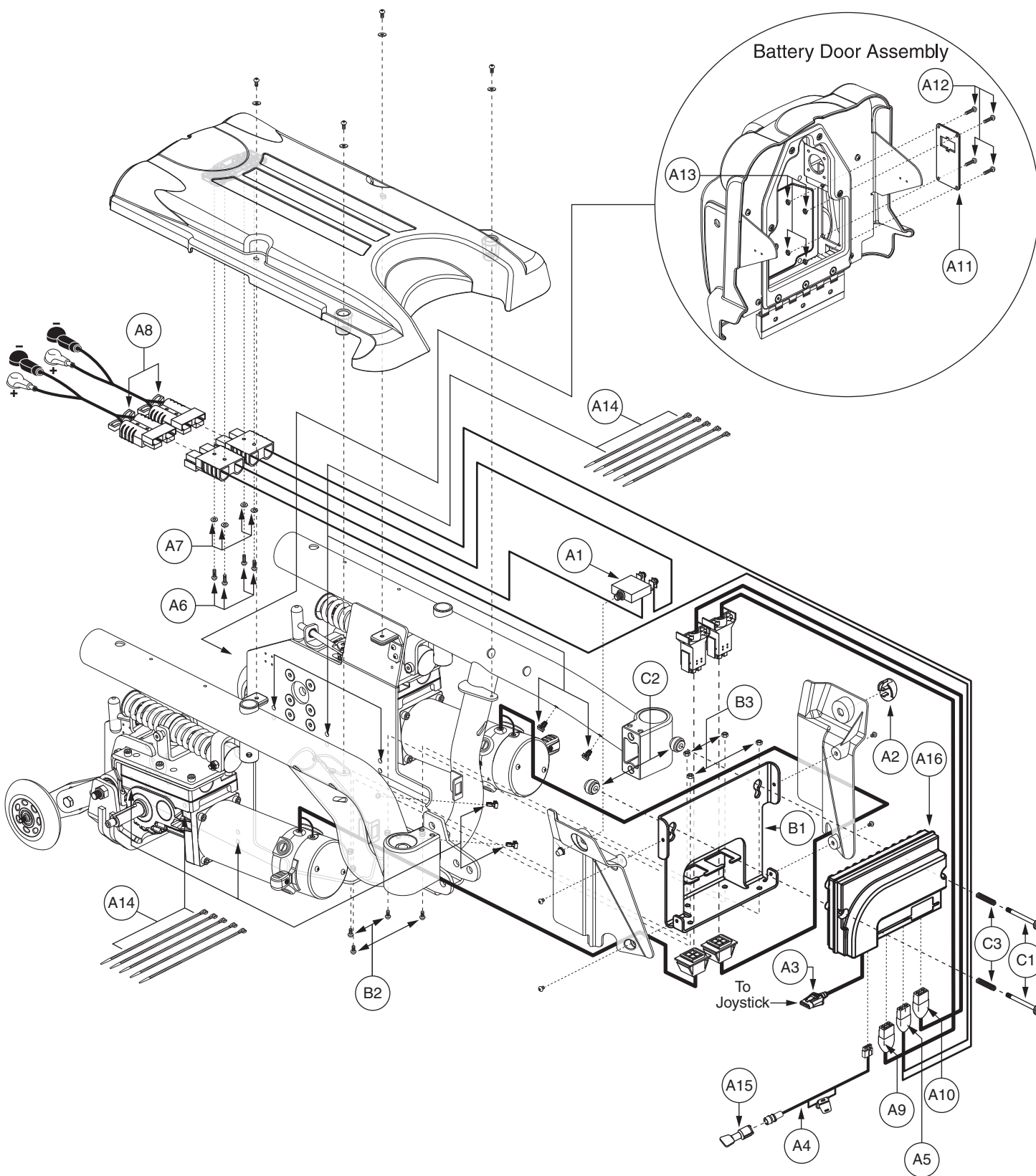
REF #	PART #	DESCRIPTION	QTY	Dealer \$	11i MSRP
<b>A1 — C3</b>	<b>ELEASMB5722</b>	<b>ELECTRONIC,ASSY,VR2,70 AMP,H2 MOTORS,R4000</b>	<b>1</b>	<b>\$389.62</b>	<b>\$993.52</b>
A1	ELEASMB1000	ELECTRONIC,ASSY,CIRCUIT BREAKER,50 AMP,COMPLETE	1	\$12.6	\$32.13
A2	DWR1505D059	ELECTRONIC,BREAKER,PLUG,D-1505-059	1	\$1.05	\$2.68
A3	DWR1010H128	ELECTRONIC,HARNESS,VR2 EXTENSION CABLE,H-1010-128,(P&G: SA77974)	1	\$7.56	\$19.28
A4	DWR1116H054	ELECTRONIC,HARNESS,RUN PLUG,VR2,H-1116-054	1	\$3.96	\$10.09
A5	DWR1065H004	ELECTRONIC,HARNESS,BATTERY CABLE,VR2,QUANTUM6000Z/R4000,H-1065-004	1	\$30.39	\$77.5
A6	SCRPPH1374	SCREW,PPH,BLACK ZINC,M3-.5 X 18MM	4	\$1.05	\$2.68
A7	WASLOCK1069	WASHER,LOCK,BLACK ZINC,3.4MM ID X 6.2MM OD X 0.7MM TH	4	\$1.05	\$2.68
A8	ELEASMB2869	ELECTRONIC,ASSY,BATTERY CABLE,BLACK,W/125A/32V FUSEABLE LINK,QUICK DISCONNECT,H-1122-022	2	\$27.3	\$69.62
A9	DWR1505H052	ELECTRONIC,HARNESS,MOTOR,LEFT,VR2,VIBE,H-1505-052	1	\$19.61	\$49.99
A10	DWR1505H053	ELECTRONIC,HARNESS,MOTOR,RIGHT,VR2,VIBE,H-1505-053	1	\$19.61	\$49.99
A11	DWR1000B296	CAP,PLASTIC,6 PIN,3.32" X 1.60",JAZZY ELECTRONICS TRAY,B-1000-296	1	\$1.05	\$2.68
A12	SCRPPH1148	SCREW,PPH,BLACK ZINC,M3-.5 X 10MM	4	\$1.05	\$2.68
A13	NUTNYLK1072	NUT,NYLOCK,BLACK ZINC,M3-.5	4	\$1.05	\$2.68
A14	PLSTIE1004	TIE WRAP,BLACK,8"	10	\$1.05	\$2.68
A15	ELEASMB5766	CONTROLLER,VR2,ASSY,70 AMP,W/R4000 H2 PROGRAM	1	\$214.2	\$546.21
<b>B1 — B3</b>	<b>FRMASMB11245</b>	<b>MOUNTING BRACKET,ASSY,POWER MODULE W/HARDWARE,R4000</b>	<b>1</b>	<b>\$9.07</b>	<b>\$23.13</b>
B1	DWR1505C085	POWER MODULE MOUNTING BRACKET,C-1505-085	1	\$8.82	\$22.49
B2	SCRASBH1011	SCREW,BHSCS,BLACK ZINC,M6-1.0 X 16MM,GRADE 8.8	4	\$1.05	\$2.68
B3	NUTNYLK1019	NUT,NYLOCK,BLACK ZINC,M6-1.0	4	\$1.05	\$2.68
<b>C1 — C3</b>	<b>HDWASMB1057</b>	<b>QUICK RELEASE BUTTON,ASSY,REMOTE PLUS POWER MODULE,JAZZYULTRA</b>	<b>1</b>	<b>\$25.2</b>	<b>\$64.26</b>
C1	DWR1054B040	POWER MODULE SCREW,ZINC,M5-.8 X 55MM,B-1054-040	2	\$5.25	\$13.39
C2	DWR1054A012	POWER MODULE BUTTON,ZINC,M5-.8 TAP THRU X 12MM OD,A-1054-012	2	\$3.15	\$8.03
C3	DWR1054B041	SPRING,COMPRESSION,BRIGHT ZINC,1.50" FL X 0.30" OD X 0.038" WIRE DIA X RATE:13.5LBS/IN,MUSIC WIRE,B-1054-041,(MCMMASTER CARR:9434K62)	2	\$4.2	\$10.71



REF #	PART #	DESCRIPTION	QTY	Dealer \$	MSRP	11i
<b>A1 — C3</b>	<b>ELEASMB5724</b>	<b>ELECTRONIC,ASSY,VR2,70 AMP,H2 MOTORS,R4000,QUANTUM</b>	<b>1</b>	<b>\$412.98</b>	<b>\$1053.09</b>	
A1	ELEASMB1000	ELECTRONIC,ASSY,CIRCUIT BREAKER,50 AMP,COMPLETE	1	\$12.6	\$32.13	
A2	DWR1505D059	ELECTRONIC,BREAKER,PLUG,D-1505-059	1	\$1.05	\$2.68	
A3	DWR1010H128	ELECTRONIC,HARNESS,VR2 EXTENSION CABLE,H-1010-128,(P&G:SA77974)	1	\$7.56	\$19.28	
A4	DWR1065H004	ELECTRONIC,HARNESS,BATTERY CABLE,VR2,QUANTUM6000Z/R4000,H-1065-004	1	\$30.39	\$77.5	
A5	SCRPPH1374	SCREW,PPH,BLACK ZINC,M3-.5 X 18MM	4	\$1.05	\$2.68	
A6	WASLOCK1069	WASHER,LOCK,BLACK ZINC,3.4MM ID X 6.2MM OD X 0.7MM TH	4	\$1.05	\$2.68	
A7	ELEASMB2869	ELECTRONIC,ASSY,BATTERY CABLE,BLACK,W/125A/32V FUSEABLE LINK,QUICK DISCONNECT,H-1122-022	2	\$27.3	\$69.62	
A8	DWR1505H052	ELECTRONIC,HARNESS,MOTOR,LEFT,VR2,VIBE,H-1505-052	1	\$19.61	\$49.99	
A9	DWR1505H053	ELECTRONIC,HARNESS,MOTOR,RIGHT,VR2,VIBE,H-1505-053	1	\$19.61	\$49.99	
A10	DWR1000B296	CAP,PLASTIC,6 PIN,3.32" X 1.60",JAZZY ELECTRONICS TRAY,B-1000-296	1	\$1.05	\$2.68	
A11	SCRPPH1148	SCREW,PPH,BLACK ZINC,M3-.5 X 10MM	4	\$1.05	\$2.68	
A12	NUTNYLK1072	NUT,NYLOCK,BLACK ZINC,M3-.5	2	\$1.05	\$2.68	
A13	PLSTIE1004	TIE WRAP,BLACK,8"	10	\$1.05	\$2.68	
A14	DWR1265H030	ELECTRONIC,HARNESS,POWER TAKE OFF(PTO)/INHIBIT,VR2,H-1265-030	1	\$16.05	\$40.93	
A15	DWR1361H076	ELECTRONIC,HARNESS,TRU-BALANCE 2 POWER TILT/RECLINE ACTUATOR,VR2,H-1361-076	1	\$6.15	\$15.68	
A16	DWR1361H038	ELECTRONIC,HARNESS,RUN PLUG,SURE SEAL,SYNERGY TILT,H-1361-038	1	\$8.06	\$20.56	
A17	ELEASMB5767	CONTROLLER,VR2,ASSY,70 AMP,1 ACTUATOR,W/R4000 H2 PROGRAM	1	\$224.28	\$571.91	
<b>B1 — B3</b>	<b>FRMASMB11245</b>	<b>MOUNTING BRACKET,ASSY,POWER MODULE W/HARDWARE,R4000</b>	<b>1</b>	<b>\$9.07</b>	<b>\$23.13</b>	
B1	DWR1505C085	POWER MODULE MOUNTING BRACKET,C-1505-085	1	\$8.82	\$22.49	
B2	SCRASBH1011	SCREW,BHSCS,BLACK ZINC,M6-1.0 X 16MM,GRADE 8.8	4	\$1.05	\$2.68	
B3	NUTNYLK1019	NUT,NYLOCK,BLACK ZINC,M6-1.0	4	\$1.05	\$2.68	
<b>C1 — C3</b>	<b>HDWASMB1057</b>	<b>QUICK RELEASE BUTTON,ASSY,REMOTE PLUS POWER MODULE,JAZZYULTRA</b>	<b>1</b>	<b>\$25.2</b>	<b>\$64.26</b>	
C1	DWR1054B040	POWER MODULE SCREW,ZINC,M5-.8 X 55MM,B-1054-040	2	\$5.25	\$13.39	
C2	DWR1054A012	POWER MODULE BUTTON,ZINC,M5-.8 TAP THRU X 12MM OD,A-1054-012	2	\$3.15	\$8.03	
C3	DWR1054B041	SPRING,COMPRESSION,BRIGHT ZINC,1.50" FL X 0.30" OD X 0.038" WIRE DIA X RATE:13.5LBS/IN,MUSIC WIRE,B-1054-041,(MCMaster CARR:9434K62)	2	\$4.2	\$10.71	



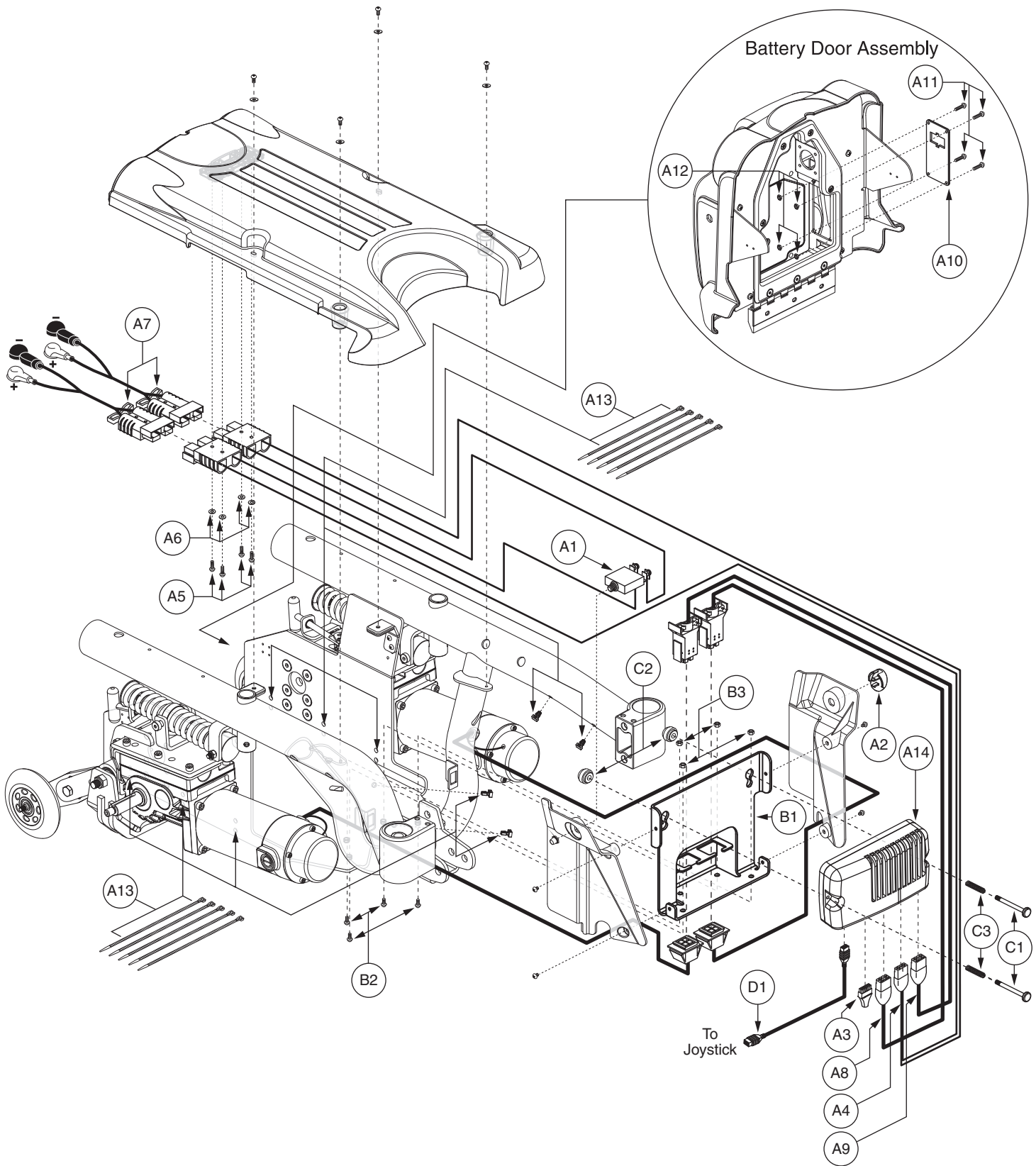
REF #	PART #	DESCRIPTION	QTY	Dealer \$	MSRP	11i
<b>A1 — C3</b>	<b>ELEASMB5723</b>	<b>ELECTRONIC,ASSY,VR2,70 AMP,H2 MOTORS,R4000,QUANTUM,1 ACTUATOR/THRU TOGGLE</b>	<b>1</b>	<b>\$412.98</b>	<b>\$1053.09</b>	
A1	ELEASMB1000	ELECTRONIC,ASSY,CIRCUIT BREAKER,50 AMP,COMPLETE	1	\$12.6	\$32.13	
A2	DWR1505D059	ELECTRONIC,BREAKER,PLUG,D-1505-059	1	\$1.05	\$2.68	
A3	DWR1010H128	ELECTRONIC,HARNESS,VR2 EXTENSION CABLE,H-1010-128,(P&G: SA77974)	1	\$7.56	\$19.28	
A4	DWR1065H004	ELECTRONIC,HARNESS,BATTERY CABLE,VR2,QUANTUM6000Z/R4000,H-1065-004	1	\$30.39	\$77.5	
A5	SCRPPH1374	SCREW,PPH,BLACK ZINC,M3-.5 X 18MM	4	\$1.05	\$2.68	
A6	WASLOCK1069	WASHER,LOCK,BLACK ZINC,3.4MM ID X 6.2MM OD X 0.7MM TH	4	\$1.05	\$2.68	
A7	ELEASMB2869	ELECTRONIC,ASSY,BATTERY CABLE,BLACK,W/125A/32V FUSEABLE LINK,QUICK DISCONNECT,H-1122-022	2	\$27.3	\$69.62	
A8	DWR1505H052	ELECTRONIC,HARNESS,MOTOR,LEFT,VR2,VIBE,H-1505-052	1	\$19.61	\$49.99	
A9	DWR1505H053	ELECTRONIC,HARNESS,MOTOR,RIGHT,VR2,VIBE,H-1505-053	1	\$19.61	\$49.99	
A10	DWR1000B296	CAP,PLASTIC,6 PIN,3.32" X 1.60",JAZZY ELECTRONICS TRAY,B-1000-296	1	\$1.05	\$2.68	
A11	SCRPPH1148	SCREW,PPH,BLACK ZINC,M3-.5 X 10MM	4	\$1.05	\$2.68	
A12	NUTNYLK1072	NUT,NYLOCK,BLACK ZINC,M3-.5	4	\$1.05	\$2.68	
A13	PLSTIE1004	TIE WRAP,BLACK,8"	10	\$1.05	\$2.68	
A14	DWR1265H030	ELECTRONIC,HARNESS,POWER TAKE OFF(PTO)/INHIBIT,VR2,H-1265-030	1	\$16.05	\$40.93	
A15	DWR1361H076	ELECTRONIC,HARNESS,TRU-BALANCE 2 POWER TILT/RECLINE ACTUATOR,VR2,H-1361-076	1	\$6.15	\$15.68	
A16	DWR1361H038	ELECTRONIC,HARNESS,RUN PLUG,SURE SEAL,SYNERGY TILT,H-1361-038	1	\$8.06	\$20.56	
A17	ELEASMB5766	CONTROLLER,VR2,ASSY,70 AMP,W/R4000 H2 PROGRAM	1	\$214.2	\$546.21	
<b>B1 — B3</b>	<b>FRMASMB11245</b>	<b>MOUNTING BRACKET,ASSY,POWER MODULE W/HARDWARE,R4000</b>	<b>1</b>	<b>\$9.07</b>	<b>\$23.13</b>	
B1	DWR1505C085	POWER MODULE MOUNTING BRACKET,C-1505-085	1	\$8.82	\$22.49	
B2	SCRASBH1011	SCREW,BHSCS,BLACK ZINC,M6-1.0 X 16MM,GRADE 8.8	4	\$1.05	\$2.68	
B3	NUTNYLK1019	NUT,NYLOCK,BLACK ZINC,M6-1.0	4	\$1.05	\$2.68	
<b>C1 — C3</b>	<b>HDWASMB1057</b>	<b>QUICK RELEASE BUTTON,ASSY,REMOTE PLUS POWER MODULE,JAZZYULTRA</b>	<b>1</b>	<b>\$25.2</b>	<b>\$64.26</b>	
C1	DWR1054B040	POWER MODULE SCREW,ZINC,M5-.8 X 55MM,B-1054-040	2	\$5.25	\$13.39	
C2	DWR1054A012	POWER MODULE BUTTON,ZINC,M5-.8 TAP THRU X 12MM OD,A-1054-012	2	\$3.15	\$8.03	
C3	DWR1054B041	SPRING,COMPRESSION,BRIGHT ZINC,1.50" FL X 0.30" OD X 0.038" WIRE DIA X RATE:13.5LBS/IN,MUSIC WIRE,B-1054-041,(MCMMASTER CARR:9434K62)	2	\$4.2	\$10.71	



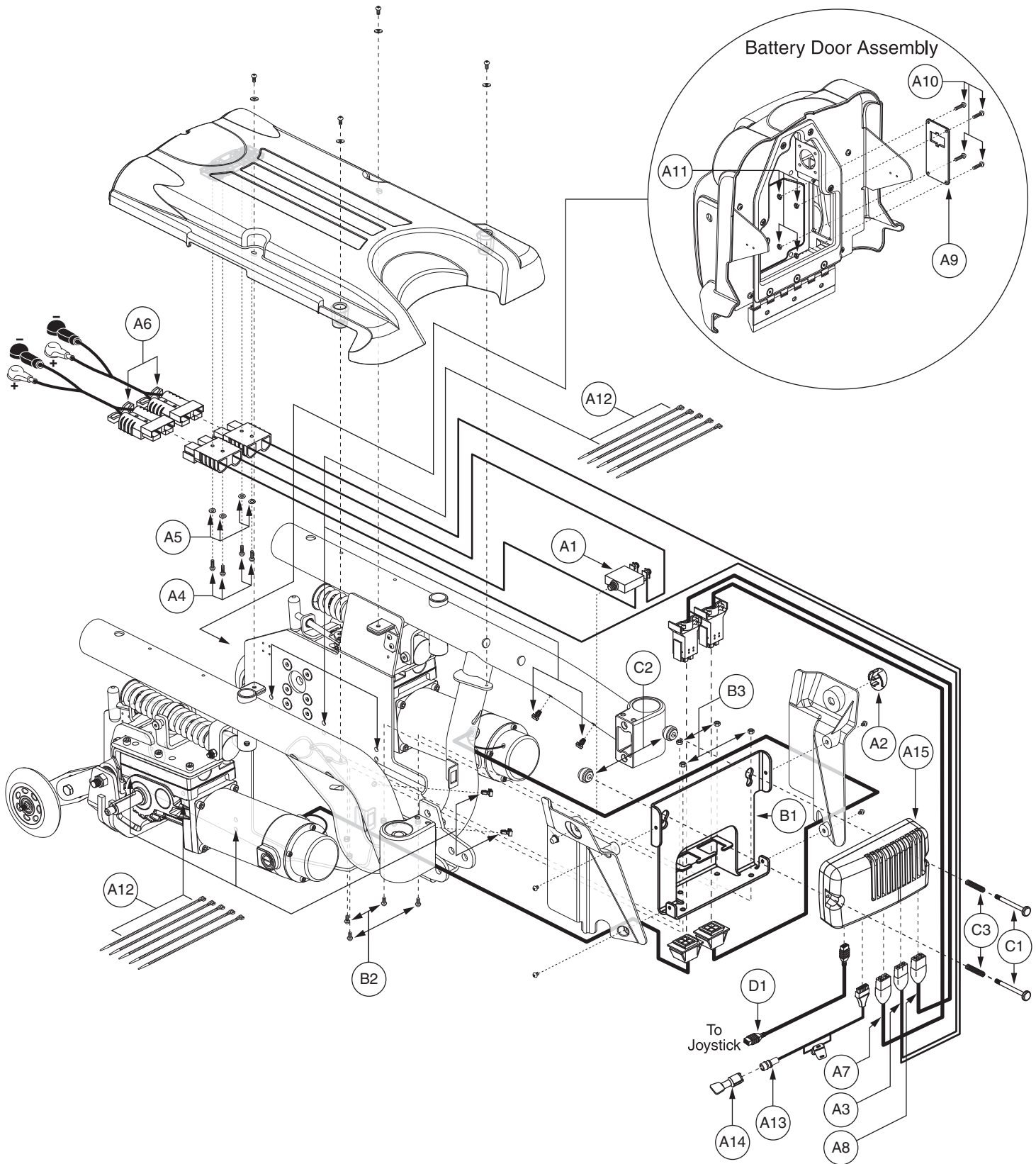


REF #	PART #	DESCRIPTION	QTY	Dealer \$	11i MSRP
<b>A1 — C3</b>	<b>ELEASMB5853</b>	<b>ELECTRONIC,ASSY,VR2,70 AMP,H2 MOTORS,R4000,FUTURE ACTUATOR EXPANSION</b>	<b>1</b>	<b>\$444.17</b>	<b>\$1132.63</b>
A1	ELEASMB1000	ELECTRONIC,ASSY,CIRCUIT BREAKER,50 AMP,COMPLETE	1	\$12.6	\$32.13
A2	DWR1505D059	ELECTRONIC,BREAKER,PLUG,D-1505-059	1	\$1.05	\$2.68
A3	DWR1010H128	ELECTRONIC,HARNESS,VR2 EXTENSION CABLE,H-1010-128,(P&G: SA77974)	1	\$7.56	\$19.28
A4	DWR1265H030	ELECTRONIC,HARNESS,POWER TAKE OFF(PTO)/INHIBIT,VR2,H-1265-030	1	\$16.05	\$40.93
A5	DWR1065H004	ELECTRONIC,HARNESS,BATTERY CABLE,VR2,QUANTUM6000Z/R4000,H-1065-004	1	\$30.39	\$77.5
A6	SCRPPH1374	SCREW,PPH,BLACK ZINC,M3-.5 X 18MM	4	\$1.05	\$2.68
A7	WASLOCK1069	WASHER,LOCK,BLACK ZINC,3.4MM ID X 6.2MM OD X 0.7MM TH	4	\$1.05	\$2.68
A8	ELEASMB2869	ELECTRONIC,ASSY,BATTERY CABLE,BLACK,W/125A/32V FUSEABLE LINK,QUICK DISCONNECT,H-1122-022	2	\$27.3	\$69.62
A9	DWR1505H052	ELECTRONIC,HARNESS,MOTOR,LEFT,VR2,VIBE,H-1505-052	1	\$19.61	\$49.99
A10	DWR1505H053	ELECTRONIC,HARNESS,MOTOR,RIGHT,VR2,VIBE,H-1505-053	1	\$19.61	\$49.99
A11	DWR1000B296	CAP,PLASTIC,6 PIN,3.32" X 1.60",JAZZY ELECTRONICS TRAY,B-1000-296	1	\$1.05	\$2.68
A12	SCRPPH1148	SCREW,PPH,BLACK ZINC,M3-.5 X 10MM	4	\$1.05	\$2.68
A13	NUTNYLK1072	NUT,NYLOCK,BLACK ZINC,M3-.5	4	\$1.05	\$2.68
A14	PLSTIE1004	TIE WRAP,BLACK,8"	10	\$1.05	\$2.68
A15	DWR1361H038	ELECTRONIC,HARNESS,RUN PLUG,SURE SEAL,SYNERGY TILT,H-1361-038	1	\$8.06	\$20.56
A16	ELEASMB5767	CONTROLLER,VR2,ASSY,70 AMP,1 ACTUATOR,W/R4000 H2 PROGRAM,QUANTUM	1	\$224.28	\$571.91
<b>B1 — B3</b>	<b>FRMASMB11245</b>	<b>MOUNTING BRACKET,ASSY,POWER MODULE W/HARDWARE,R4000</b>	<b>1</b>	<b>\$9.07</b>	<b>\$23.13</b>
B1	DWR1505C085	POWER MODULE MOUNTING BRACKET,C-1505-085	1	\$8.82	\$22.49
B2	SCRASBH1011	SCREW,BHSCS,BLACK ZINC,M6-1.0 X 16MM,GRADE 8.8	4	\$1.05	\$2.68
B3	NUTNYLK1019	NUT,NYLOCK,BLACK ZINC,M6-1.0	4	\$1.05	\$2.68
<b>C1 — C3</b>	<b>HDWASMB1057</b>	<b>QUICK RELEASE BUTTON,ASSY,REMOTE PLUS POWER MODULE,JAZZYULTRA</b>	<b>1</b>	<b>\$25.2</b>	<b>\$64.26</b>
C1	DWR1054B040	POWER MODULE SCREW,ZINC,M5-.8 X 55MM,B-1054-040	2	\$5.25	\$13.39
C2	DWR1054A012	POWER MODULE BUTTON,ZINC,M5-.8 TAP THRU X 12MM OD,A-1054-012	2	\$3.15	\$8.03
C3	DWR1054B041	SPRING,COMPRESSION,BRIGHT ZINC,1.50" FL X 0.30" OD X 0.038" WIRE DIA X RATE:13.5LBS/IN,MUSIC WIRE,B-1054-041,(MCMaster CARR:9434K62)	2	\$4.2	\$10.71

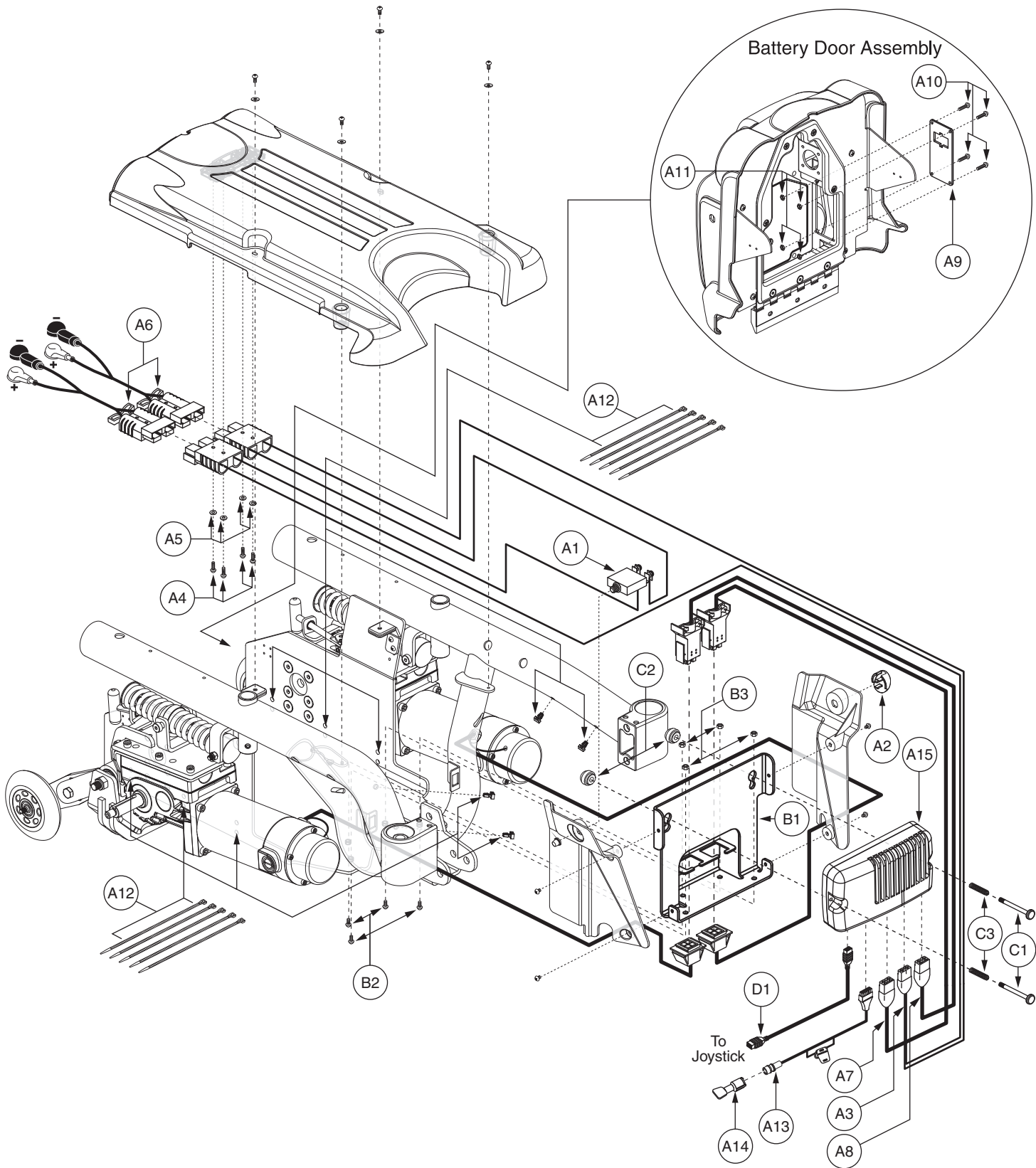




REF #	PART #	DESCRIPTION	QTY	Dealer \$	MSRP	11i
<b>A1 — C3</b>	<b>ELEASMB5761</b>	<b>ELECTRONIC,ASSY,Q-LOGIC,CURTIS,70 AMP,GLIDE MOTORS,R4000</b>	<b>1</b>	<b>\$688.14</b>	<b>\$1754.75</b>	
A1	ELEASMB1188	ELECTRONIC,ASSY,CIRCUIT BREAKER,70 AMP	1	\$13.65	\$34.81	
A2	DWR1505D059	ELECTRONIC,BREAKER,PLUG,D-1505-059	1	\$1.05	\$2.68	
A3	DWR1265H027	ELECTRONIC,HARNESS,RUN PLUG,Q-LOGIC,H-1265-027	1	\$3	\$7.65	
A4	DWR1059H001	ELECTRONIC,HARNESS,BATTERY CABLE,Q-LOGIC,CURTIS,QUANTUM6000/R4000,H-1059-001	1	\$28.8	\$73.45	
A5	SCRPPH1374	SCREW,PPH,BLACK ZINC,M3-.5 X 18MM	4	\$1.05	\$2.68	
A6	WASLOCK1069	WASHER,LOCK,BLACK ZINC,3.4MM ID X 6.2MM OD X 0.7MM TH	4	\$1.05	\$2.68	
A7	ELEASMB2868	ELECTRONIC,ASSY,BATTERY CABLE,GRAY,W/125A/32V FUSEABLE LINK,QUICK DISCONNECT,H-1500-013	2	\$32.55	\$83	
A8	DWR1505H050	ELECTRONIC,HARNESS,MOTOR,LEFT,Q-LOGIC,VIBE,H-1505-050	1	\$25.73	\$65.61	
A9	DWR1505H051	ELECTRONIC,HARNESS,MOTOR,RIGHT,Q-LOGIC,VIBE,H-1505-051	1	\$25.73	\$65.61	
A10	DWR1000B296	CAP,PLASTIC,6 PIN,3.32" X 1.60",JAZZY ELECTRONICS TRAY,B-1000-296	1	\$1.05	\$2.68	
A11	SCRPPH1148	SCREW,PPH,BLACK ZINC,M3-.5 X 10MM	4	\$1.05	\$2.68	
A12	NUTNYLK1072	NUT,NYLOCK,BLACK ZINC,M3-.5	4	\$1.05	\$2.68	
A13	PLSTIE1004	TIE WRAP,BLACK,8"	10	\$1.05	\$2.68	
A14	ELEASMB5775	CONTROLLER,Q-LOGIC,CURTIS,ASSY,70 AMP,W/R4000 GLIDE PROGRAM	1	\$453.6	\$1156.68	
<b>B1 — B3</b>	<b>FRMASMB11245</b>	<b>MOUNTING BRACKET,ASSY,POWER MODULE W/HARDWARE,R4000</b>	<b>1</b>	<b>\$9.07</b>	<b>\$23.13</b>	
B1	DWR1505C085	POWER MODULE MOUNTING BRACKET,C-1505-085	1	\$8.82	\$22.49	
B2	SCRASBH1011	SCREW,BHSCS,BLACK ZINC,M6-1.0 X 16MM,GRADE 8.8	4	\$1.05	\$2.68	
B3	NUTNYLK1019	NUT,NYLOCK,BLACK ZINC,M6-1.0	4	\$1.05	\$2.68	
<b>C1 — C3</b>	<b>HDWASMB1059</b>	<b>QUICK RELEASE BUTTON,ASSY,FLIGHT POWER MODULE,B-1116-054</b>	<b>2</b>	<b>\$6.3</b>	<b>\$16.07</b>	
C1	DWR1056B023	POWER MODULE BUTTON SCREW,B-1056-023	1	\$1.05	\$2.68	
C2	DWR1056B033	POWER MODULE BUTTON,B-1056-033	1	\$1.05	\$2.68	
C3	DWR1054B041	SPRING,COMPRESSION,BRIGHT ZINC,1.50" FL X 0.30" OD X 0.038" WIRE DIA X RATE:13.5LBS/IN,MUSIC WIRE,B-1054-041,(MCMaster CARR:9434K62)	1	\$4.2	\$10.71	
D1	DWR1111H065	ELECTRONIC,HARNESS,BUS EXTENSION CABLE,CURTIS,0.410 METER,MALE/FEMALE,H-1111-065,(CURTIS: 37393-002)	1	\$210	\$350	

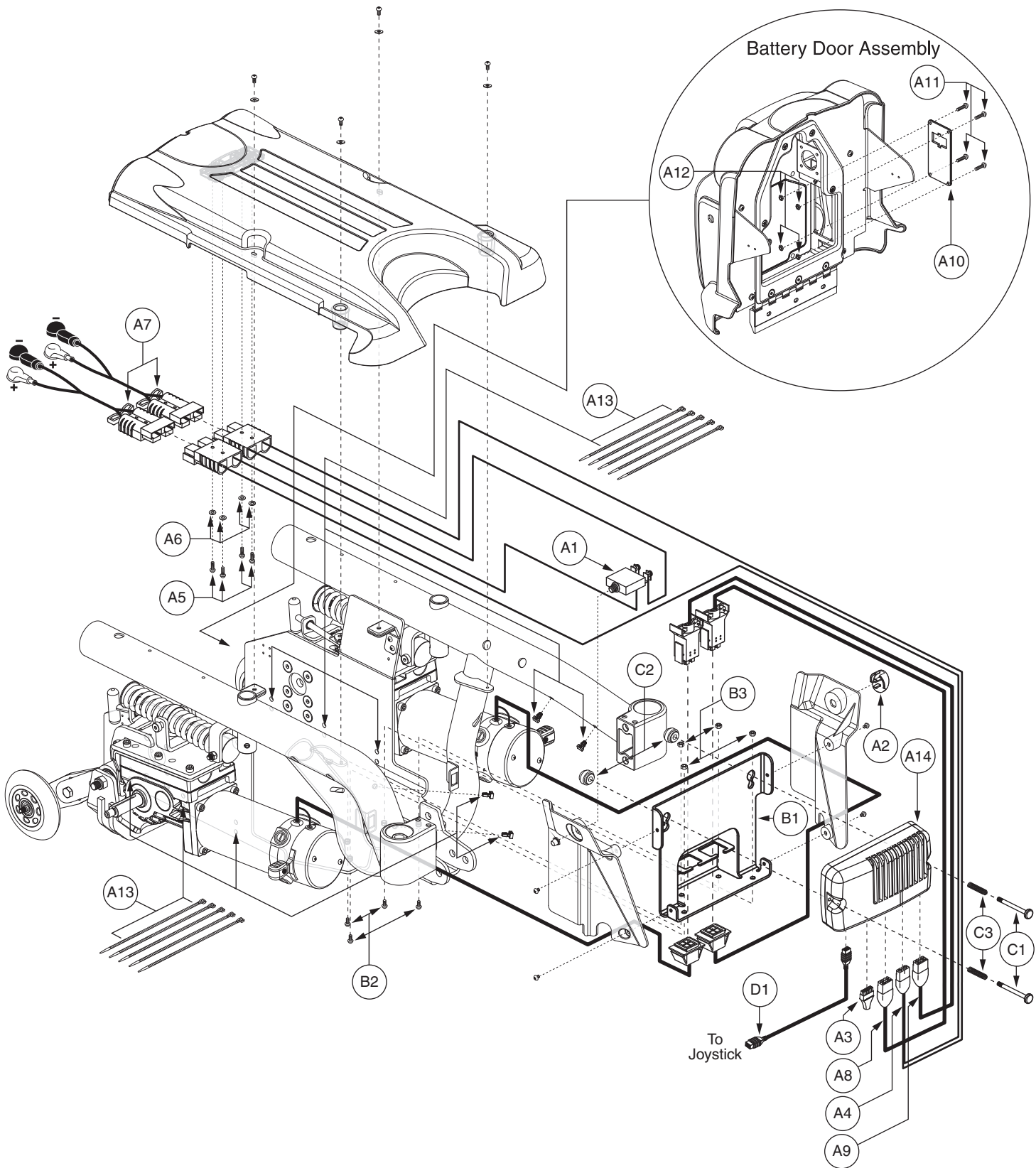


REF #	PART #	DESCRIPTION	QTY	Dealer \$	MSRP	11i
<b>A1 — C3</b>	<b>ELEASMB5763</b>	<b>ELECTRONIC,ASSY,Q-LOGIC,CURTIS,70 AMP,GLIDE MOTORS,R4000,QUANTUM</b>	<b>1</b>	<b>\$704.92</b>	<b>\$1797.54</b>	
A1	ELEASMB1188	ELECTRONIC,ASSY,CIRCUIT BREAKER,70 AMP	1	\$13.65	\$34.81	
A2	DWR1505D059	ELECTRONIC,BREAKER,PLUG,D-1505-059	1	\$1.05	\$2.68	
A3	DWR1059H001	ELECTRONIC,HARNESS,BATTERY CABLE,Q-LOGIC,CURTIS,QUANTUM6000/R4000,H-1059-001	1	\$28.8	\$73.45	
A4	SCRPPH1374	SCREW,PPH,BLACK ZINC,M3-.5 X 18MM	4	\$1.05	\$2.68	
A5	WASLOCK1069	WASHER,LOCK,BLACK ZINC,3.4MM ID X 6.2MM OD X 0.7MM TH	4	\$1.05	\$2.68	
A6	ELEASMB2868	ELECTRONIC,ASSY,BATTERY CABLE,GRAY,W/125A/32V FUSEABLE LINK,QUICK DISCONNECT,H-1500-013	2	\$32.55	\$83	
A7	DWR1505H050	ELECTRONIC,HARNESS,MOTOR,LEFT,Q-LOGIC,VIBE,H-1505-050	1	\$25.73	\$65.61	
A8	DWR1505H051	ELECTRONIC,HARNESS,MOTOR,RIGHT,Q-LOGIC,VIBE,H-1505-051	1	\$25.73	\$65.61	
A9	DWR1000B296	CAP,PLASTIC,6 PIN,3.32" X 1.60",JAZZY ELECTRONICS TRAY,B-1000-296	1	\$1.05	\$2.68	
A10	SCRPPH1148	SCREW,PPH,BLACK ZINC,M3-.5 X 10MM	4	\$1.05	\$2.68	
A11	NUTNYLK1072	NUT,NYLOCK,BLACK ZINC,M3-.5	4	\$1.05	\$2.68	
A12	PLSTIE1004	TIE WRAP,BLACK,8"	10	\$1.05	\$2.68	
A13	DWR1265H021	ELECTRONIC,HARNESS,POWER TAKE OFF(PTO)/INHIBIT,Q-LOGIC,CURTIS,H-1265-021	1	\$14.67	\$37.4	
A14	DWR1361H038	ELECTRONIC,HARNESS,RUN PLUG,SURE SEAL,SYNERGY TILT,H-1361-038	1	\$8.06	\$20.56	
A15	ELEASMB5776	CONTROLLER,Q-LOGIC,CURTIS,ASSY,70 AMP,W/R4000 GLIDE PROGRAM,QUANTUM	1	\$453.6	\$1156.68	
<b>B1 — B3</b>	<b>FRMASMB11245</b>	<b>MOUNTING BRACKET,ASSY,POWER MODULE W/HARDWARE,R4000</b>	<b>1</b>	<b>\$9.07</b>	<b>\$23.13</b>	
B1	DWR1505C085	POWER MODULE MOUNTING BRACKET,C-1505-085	1	\$8.82	\$22.49	
B2	SCRASBH1011	SCREW,BHSCS,BLACK ZINC,M6-1.0 X 16MM,GRADE 8.8	4	\$1.05	\$2.68	
B3	NUTNYLK1019	NUT,NYLOCK,BLACK ZINC,M6-1.0	4	\$1.05	\$2.68	
<b>C1 — C3</b>	<b>HDWASMB1059</b>	<b>QUICK RELEASE BUTTON,ASSY,FLIGHT POWER MODULE,B-1116-054</b>	<b>2</b>	<b>\$6.3</b>	<b>\$16.07</b>	
C1	DWR1056B023	POWER MODULE BUTTON SCREW,B-1056-023	1	\$1.05	\$2.68	
C2	DWR1056B033	POWER MODULE BUTTON,B-1056-033	1	\$1.05	\$2.68	
C3	DWR1054B041	SPRING,COMPRESSION,BRIGHT ZINC,1.50" FL X 0.30" OD X 0.038" WIRE DIA X RATE:13.5LBS/IN,MUSIC WIRE,B-1054-041,(MCMMASTER CARR:9434K62)	1	\$4.2	\$10.71	
D1	DWR1111H065	ELECTRONIC,HARNESS,BUS EXTENSION CABLE,CURTIS,0.410 METER,MALE/FEMALE,H-1111-065,(CURTIS: 37393-002)	1	\$210	\$350	



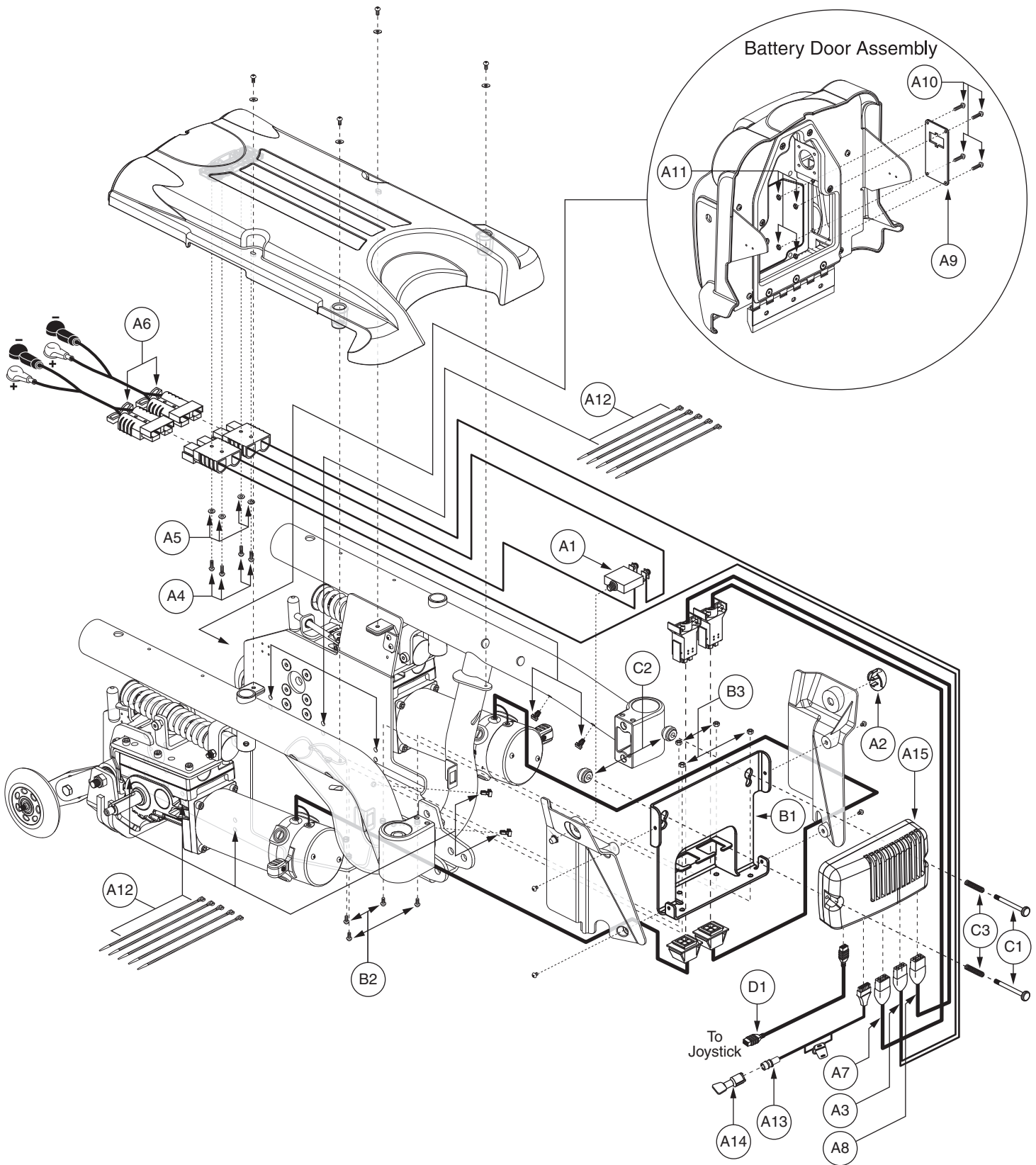
REF #	PART #	DESCRIPTION	QTY	Dealer \$	MSRP	11i
<b>A1 — C3</b>	<b>ELEASMB5762</b>	<b>ELECTRONIC,ASSY,Q-LOGIC,CURTIS,70 AMP,GLIDE MOTORS,R4000,TILT THRU TOGGLE</b>	<b>1</b>	<b>\$704.92</b>	<b>\$1797.54</b>	
A1	ELEASMB1188	ELECTRONIC,ASSY,CIRCUIT BREAKER,70 AMP	1	\$13.65	\$34.81	
A2	DWR1505D059	ELECTRONIC,BREAKER,PLUG,D-1505-059	1	\$1.05	\$2.68	
A3	DWR1059H001	ELECTRONIC,HARNESS,BATTERY CABLE,Q-LOGIC,CURTIS,QUANTUM6000/R4000,H-1059-001	1	\$28.8	\$73.45	
A4	SCRPPH1374	SCREW,PPH,BLACK ZINC,M3-.5 X 18MM	4	\$1.05	\$2.68	
A5	WASLOCK1069	WASHER,LOCK,BLACK ZINC,3.4MM ID X 6.2MM OD X 0.7MM TH	4	\$1.05	\$2.68	
A6	ELEASMB2868	ELECTRONIC,ASSY,BATTERY CABLE,GRAY,W/125A/32V FUSEABLE LINK,QUICK DISCONNECT,H-1500-013	2	\$32.55	\$83	
A7	DWR1505H050	ELECTRONIC,HARNESS,MOTOR,LEFT,Q-LOGIC,VIBE,H-1505-050	1	\$25.73	\$65.61	
A8	DWR1505H051	ELECTRONIC,HARNESS,MOTOR,RIGHT,Q-LOGIC,VIBE,H-1505-051	1	\$25.73	\$65.61	
A9	DWR1000B296	CAP,PLASTIC,6 PIN,3.32" X 1.60",JAZZY ELECTRONICS TRAY,B-1000-296	1	\$1.05	\$2.68	
A10	SCRPPH1148	SCREW,PPH,BLACK ZINC,M3-.5 X 10MM	4	\$1.05	\$2.68	
A11	NUTNYLK1072	NUT,NYLOCK,BLACK ZINC,M3-.5	4	\$1.05	\$2.68	
A12	PLSTIE1004	TIE WRAP,BLACK,8"	10	\$1.05	\$2.68	
A13	DWR1265H021	ELECTRONIC,HARNESS,POWER TAKE OFF(PTO)/INHIBIT,Q-LOGIC,CURTIS,H-1265-021	1	\$14.67	\$37.4	
A14	DWR1361H038	ELECTRONIC,HARNESS,RUN PLUG,SURE SEAL,SYNERGY TILT,H-1361-038	1	\$8.06	\$20.56	
A15	ELEASMB5775	CONTROLLER,Q-LOGIC,CURTIS,ASSY,70 AMP,W/R4000 GLIDE PROGRAM	1	\$453.6	\$1156.68	
<b>B1 — B3</b>	<b>FRMASMB11245</b>	<b>MOUNTING BRACKET,ASSY,POWER MODULE W/HARDWARE,R4000</b>	<b>1</b>	<b>\$9.07</b>	<b>\$23.13</b>	
B1	DWR1505C085	POWER MODULE MOUNTING BRACKET,C-1505-085	1	\$8.82	\$22.49	
B2	SCRASBH1011	SCREW,BHSCS,BLACK ZINC,M6-1.0 X 16MM,GRADE 8.8	4	\$1.05	\$2.68	
B3	NUTNYLK1019	NUT,NYLOCK,BLACK ZINC,M6-1.0	4	\$1.05	\$2.68	
<b>C1 — C3</b>	<b>HDWASMB1059</b>	<b>QUICK RELEASE BUTTON,ASSY,FLIGHT POWER MODULE,B-1116-054</b>	<b>2</b>	<b>\$6.3</b>	<b>\$16.07</b>	
C1	DWR1056B023	POWER MODULE BUTTON SCREW,B-1056-023	1	\$1.05	\$2.68	
C2	DWR1056B033	POWER MODULE BUTTON,B-1056-033	1	\$1.05	\$2.68	
C3	DWR1054B041	SPRING,COMPRESSION,BRIGHT ZINC,1.50" FL X 0.30" OD X 0.038" WIRE DIA X RATE:13.5LBS/IN,MUSIC WIRE,B-1054-041,(MCMMASTER CARR:9434K62)	1	\$4.2	\$10.71	
D1	DWR1111H065	ELECTRONIC,HARNESS,BUS EXTENSION CABLE,CURTIS,0.410 METER,MALE/FEMALE,H-1111-065,(CURTIS: 37393-002)	1	\$210	\$350	



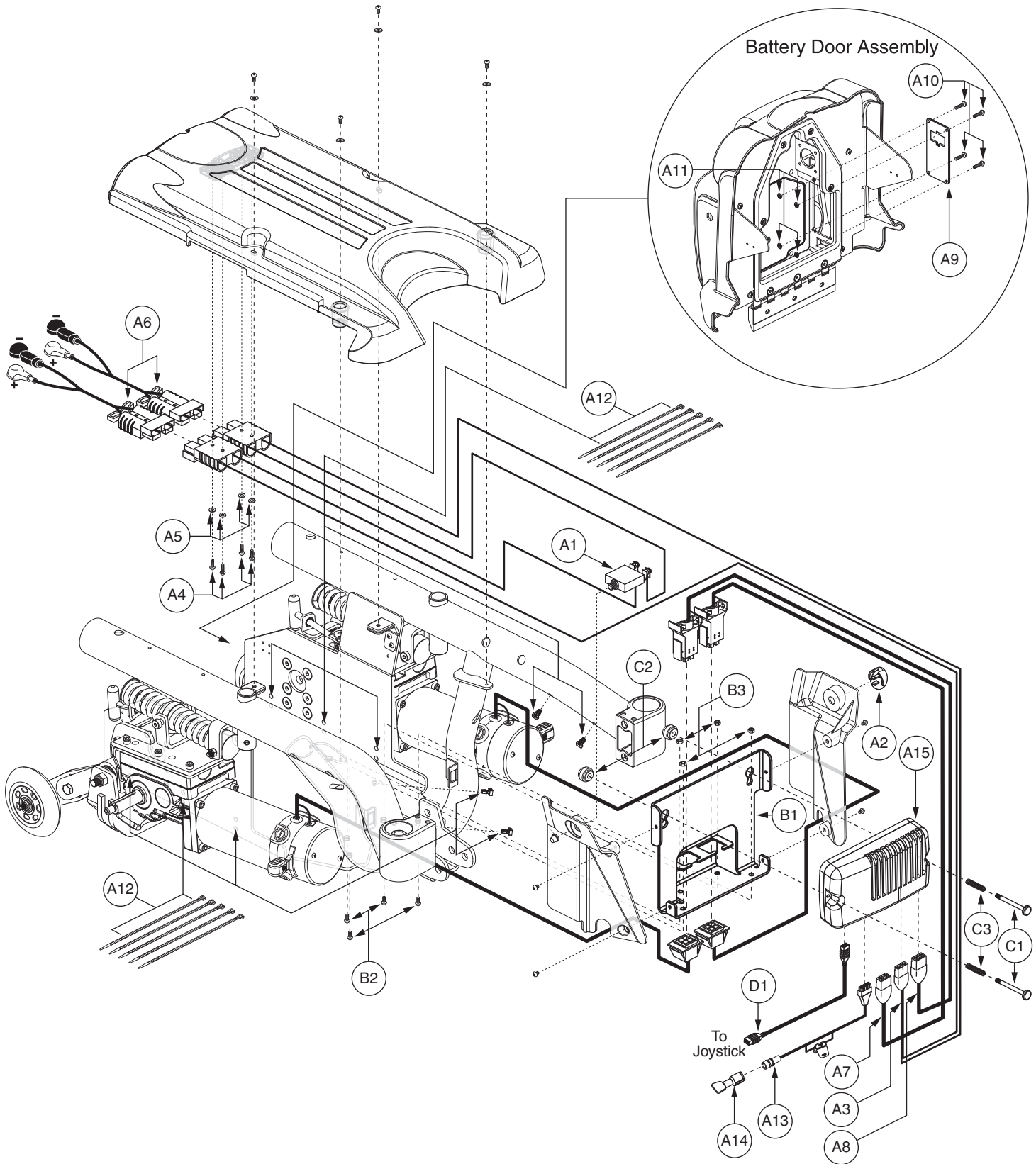




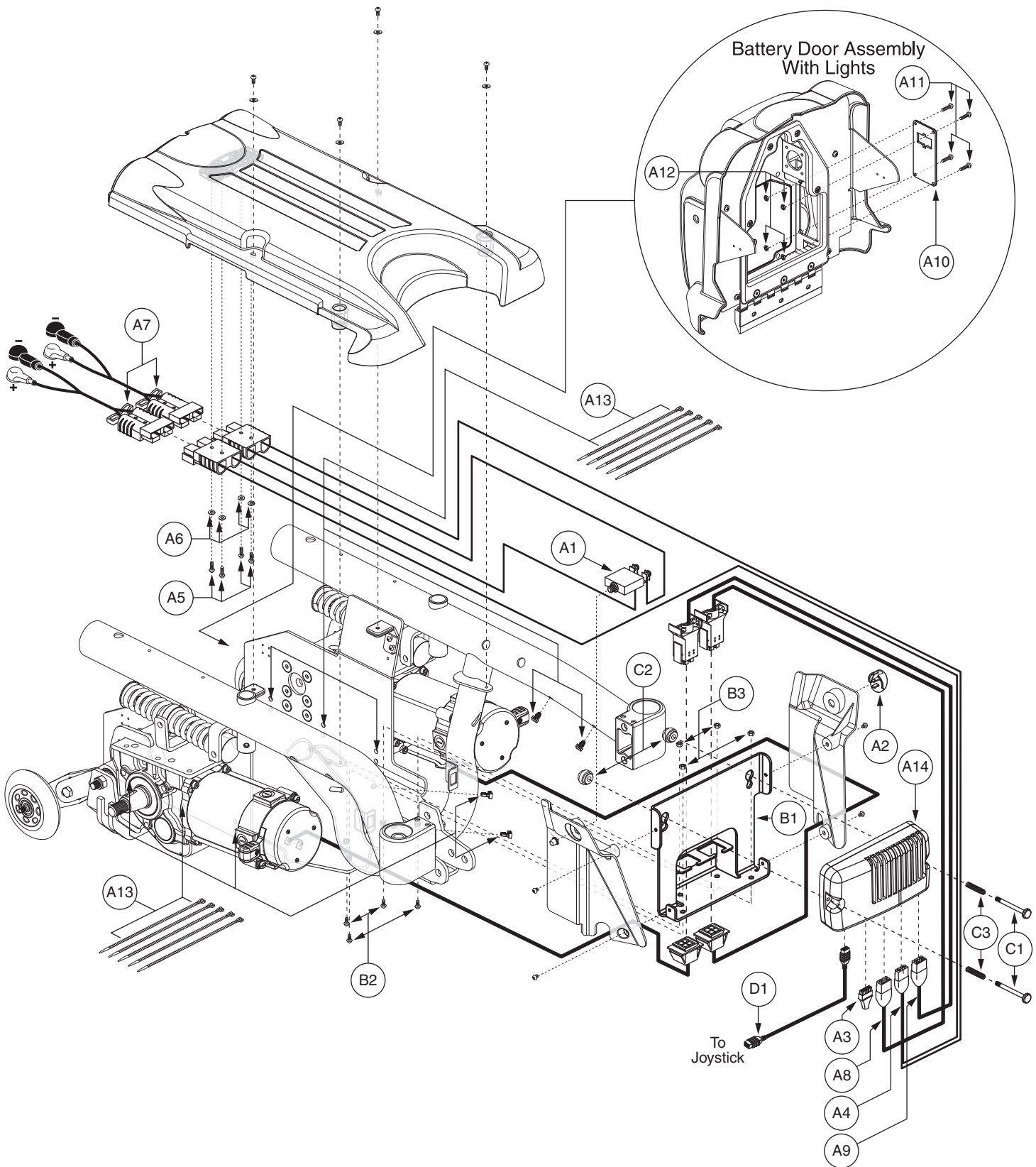
REF #	PART #	DESCRIPTION	QTY	Dealer \$	MSRP	11i
<b>A1 — C3</b>	<b>ELEASMB5735</b>	<b>ELECTRONIC,ASSY,Q-LOGIC,CURTIS,100 AMP,H2 MOTORS,R4000</b>	<b>1</b>	<b>\$755.22</b>	<b>\$1925.81</b>	
A1	ELEASMB1188	ELECTRONIC,ASSY,CIRCUIT BREAKER,70 AMP	1	\$13.65	\$34.81	
A2	DWR1505D059	ELECTRONIC,BREAKER,PLUG,D-1505-059	1	\$1.05	\$2.68	
A3	DWR1265H027	ELECTRONIC,HARNESS,RUN PLUG,Q-LOGIC,H-1265-027	1	\$3	\$7.65	
A4	DWR1059H001	ELECTRONIC,HARNESS,BATTERY CABLE,Q-LOGIC,CURTIS,QUANTUM6000/R4000,H-1059-001	1	\$28.8	\$73.45	
A5	SCRPPH1374	SCREW,PPH,BLACK ZINC,M3-.5 X 18MM	4	\$1.05	\$2.68	
A6	WASLOCK1069	WASHER,LOCK,BLACK ZINC,3.4MM ID X 6.2MM OD X 0.7MM TH	4	\$1.05	\$2.68	
A7	ELEASMB2868	ELECTRONIC,ASSY,BATTERY CABLE,GRAY,W/125A/32V FUSEABLE LINK,QUICK DISCONNECT,H-1500-013	2	\$32.55	\$83	
A8	DWR1505H050	ELECTRONIC,HARNESS,MOTOR,LEFT,Q-LOGIC,VIBE,H-1505-050	1	\$25.73	\$65.61	
A9	DWR1505H051	ELECTRONIC,HARNESS,MOTOR,RIGHT,Q-LOGIC,VIBE,H-1505-051	1	\$25.73	\$65.61	
A10	DWR1000B296	CAP,PLASTIC,6 PIN,3.32" X 1.60",JAZZY ELECTRONICS TRAY,B-1000-296	1	\$1.05	\$2.68	
A11	SCRPPH1148	SCREW,PPH,BLACK ZINC,M3-.5 X 10MM	4	\$1.05	\$2.68	
A12	NUTNYLK1072	NUT,NYLOCK,BLACK ZINC,M3-.5	4	\$1.05	\$2.68	
A13	PLSTIE1004	TIE WRAP,BLACK,8"	10	\$1.05	\$2.68	
A14	ELEASMB5773	CONTROLLER,Q-LOGIC,CURTIS,ASSY,100 AMP,W/R4000 H2 PROGRAM	1	\$453.6	\$1156.68	
<b>B1 — B3</b>	<b>FRMASMB11245</b>	<b>MOUNTING BRACKET,ASSY,POWER MODULE W/HARDWARE,R4000</b>	<b>1</b>	<b>\$9.07</b>	<b>\$23.13</b>	
B1	DWR1505C085	POWER MODULE MOUNTING BRACKET,C-1505-085	1	\$8.82	\$22.49	
B2	SCRASBH1011	SCREW,BHSCS,BLACK ZINC,M6-1.0 X 16MM,GRADE 8.8	4	\$1.05	\$2.68	
B3	NUTNYLK1019	NUT,NYLOCK,BLACK ZINC,M6-1.0	4	\$1.05	\$2.68	
<b>C1 — C3</b>	<b>HDWASMB1059</b>	<b>QUICK RELEASE BUTTON,ASSY,FLIGHT POWER MODULE,B-1116-054</b>	<b>2</b>	<b>\$6.3</b>	<b>\$16.07</b>	
C1	DWR1056B023	POWER MODULE BUTTON SCREW,B-1056-023	1	\$1.05	\$2.68	
C2	DWR1056B033	POWER MODULE BUTTON,B-1056-033	1	\$1.05	\$2.68	
C3	DWR1054B041	SPRING,COMPRESSION,BRIGHT ZINC,1.50" FL X 0.30" OD X 0.038" WIRE DIA X RATE:13.5LBS/IN,MUSIC WIRE,B-1054-041,(MCMaster CARR:9434K62)	1	\$4.2	\$10.71	
D1	DWR1111H065	ELECTRONIC,HARNESS,BUS EXTENSION CABLE,CURTIS,0.410 METER,MALE/FEMALE,H-1111-065,(CURTIS: 37393-002)	1	\$210	\$350	



REF #	PART #	DESCRIPTION	QTY	Dealer \$	MSRP	11i
<b>A1 — C3</b>	<b>ELEASMB5737</b>	<b>ELECTRONIC,ASSY,Q-LOGIC,CURTIS,100 AMP,H2 MOTORS,R4000,QUANTUM</b>	<b>1</b>	<b>\$772</b>	<b>\$1968.61</b>	
A1	ELEASMB1188	ELECTRONIC,ASSY,CIRCUIT BREAKER,70 AMP	1	\$13.65	\$34.81	
A2	DWR1505D059	ELECTRONIC,BREAKER,PLUG,D-1505-059	1	\$1.05	\$2.68	
A3	DWR1059H001	ELECTRONIC,HARNESS,BATTERY CABLE,Q-LOGIC,CURTIS,QUANTUM6000/R4000,H-1059-001	1	\$28.8	\$73.45	
A4	SCRPPH1374	SCREW,PPH,BLACK ZINC,M3-.5 X 18MM	4	\$1.05	\$2.68	
A5	WASLOCK1069	WASHER,LOCK,BLACK ZINC,3.4MM ID X 6.2MM OD X 0.7MM TH	4	\$1.05	\$2.68	
A6	ELEASMB2868	ELECTRONIC,ASSY,BATTERY CABLE,GRAY,W/125A/32V FUSEABLE LINK,QUICK DISCONNECT,H-1500-013	2	\$32.55	\$83	
A7	DWR1505H050	ELECTRONIC,HARNESS,MOTOR,LEFT,Q-LOGIC,VIBE,H-1505-050	1	\$25.73	\$65.61	
A8	DWR1505H051	ELECTRONIC,HARNESS,MOTOR,RIGHT,Q-LOGIC,VIBE,H-1505-051	1	\$25.73	\$65.61	
A9	DWR1000B296	CAP,PLASTIC,6 PIN,3.32" X 1.60",JAZZY ELECTRONICS TRAY,B-1000-296	1	\$1.05	\$2.68	
A10	SCRPPH1148	SCREW,PPH,BLACK ZINC,M3-.5 X 10MM	4	\$1.05	\$2.68	
A11	NUTNYLK1072	NUT,NYLOCK,BLACK ZINC,M3-.5	4	\$1.05	\$2.68	
A12	PLSTIE1004	TIE WRAP,BLACK,8"	10	\$1.05	\$2.68	
A13	DWR1265H021	ELECTRONIC,HARNESS,POWER TAKE OFF(PTO)/INHIBIT,Q-LOGIC,CURTIS,H-1265-021	1	\$14.67	\$37.4	
A14	DWR1361H038	ELECTRONIC,HARNESS,RUN PLUG,SURE SEAL,SYNERGY TILT,H-1361-038	1	\$8.06	\$20.56	
A15	ELEASMB5774	CONTROLLER,Q-LOGIC,CURTIS,ASSY,100 AMP,W/R4000 H2 PROGRAM,QUANTUM	1	\$453.6	\$1156.68	
<b>B1 — B3</b>	<b>FRMASMB11245</b>	<b>MOUNTING BRACKET,ASSY,POWER MODULE W/HARDWARE,R4000</b>	<b>1</b>	<b>\$9.07</b>	<b>\$23.13</b>	
B1	DWR1505C085	POWER MODULE MOUNTING BRACKET,C-1505-085	1	\$8.82	\$22.49	
B2	SCRASBH1011	SCREW,BHSCS,BLACK ZINC,M6-1.0 X 16MM,GRADE 8.8	4	\$1.05	\$2.68	
B3	NUTNYLK1019	NUT,NYLOCK,BLACK ZINC,M6-1.0	4	\$1.05	\$2.68	
<b>C1 — C3</b>	<b>HDWASMB1059</b>	<b>QUICK RELEASE BUTTON,ASSY,FLIGHT POWER MODULE,B-1116-054</b>	<b>2</b>	<b>\$6.3</b>	<b>\$16.07</b>	
C1	DWR1056B023	POWER MODULE BUTTON SCREW,B-1056-023	1	\$1.05	\$2.68	
C2	DWR1056B033	POWER MODULE BUTTON,B-1056-033	1	\$1.05	\$2.68	
C3	DWR1054B041	SPRING,COMPRESSION,BRIGHT ZINC,1.50" FL X 0.30" OD X 0.038" WIRE DIA X RATE:13.5LBS/IN,MUSIC WIRE,B-1054-041,(MCMMASTER CARR:9434K62)	1	\$4.2	\$10.71	
D1	DWR1111H065	ELECTRONIC,HARNESS,BUS EXTENSION CABLE,CURTIS,0.410 METER,MALE/FEMALE,H-1111-065,(CURTIS: 37393-002)	1	\$210	\$350	



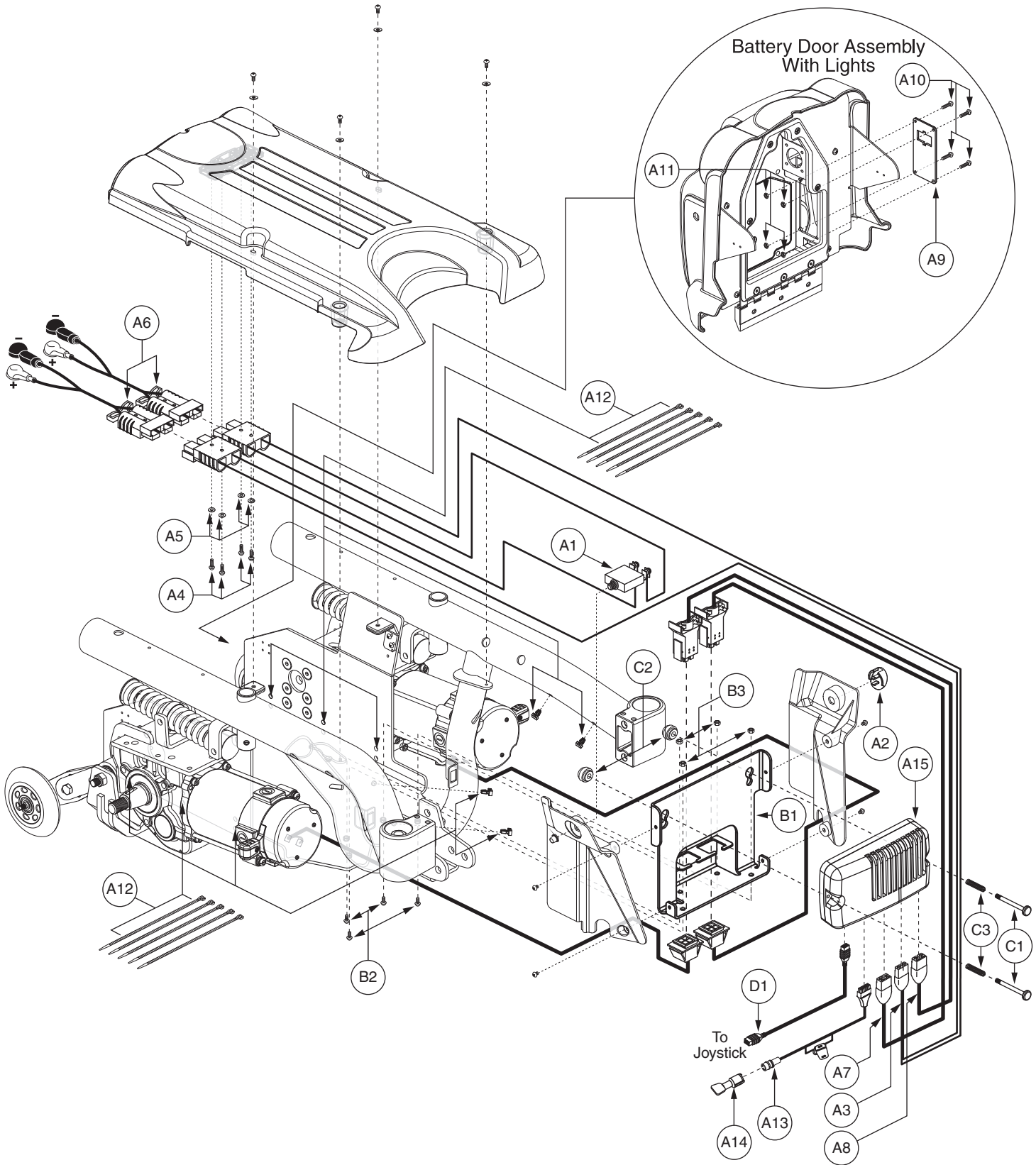
REF #	PART #	DESCRIPTION	QTY	Dealer \$	MSRP	11i
<b>A1 — C3</b>	<b>ELEASMB5736</b>	<b>ELECTRONIC,ASSY,Q-LOGIC,CURTIS,100 AMP,H2 MOTORS,R4000,TILT THRU TOGGLE</b>	<b>1</b>	<b>\$772</b>	<b>\$1968.61</b>	
A1	ELEASMB1188	ELECTRONIC,ASSY,CIRCUIT BREAKER,70 AMP	1	\$13.65	\$34.81	
A2	DWR1505D059	ELECTRONIC,BREAKER,PLUG,D-1505-059	1	\$1.05	\$2.68	
A3	DWR1059H001	ELECTRONIC,HARNESS,BATTERY CABLE,Q-LOGIC,CURTIS,QUANTUM6000/R4000,H-1059-001	1	\$28.8	\$73.45	
A4	SCRPPH1374	SCREW,PPH,BLACK ZINC,M3-.5 X 18MM	4	\$1.05	\$2.68	
A5	WASLOCK1069	WASHER,LOCK,BLACK ZINC,3.4MM ID X 6.2MM OD X 0.7MM TH	4	\$1.05	\$2.68	
A6	ELEASMB2868	ELECTRONIC,ASSY,BATTERY CABLE,GRAY,W/125A/32V FUSEABLE LINK,QUICK DISCONNECT,H-1500-013	2	\$32.55	\$83	
A7	DWR1505H050	ELECTRONIC,HARNESS,MOTOR,LEFT,Q-LOGIC,VIBE,H-1505-050	1	\$25.73	\$65.61	
A8	DWR1505H051	ELECTRONIC,HARNESS,MOTOR,RIGHT,Q-LOGIC,VIBE,H-1505-051	1	\$25.73	\$65.61	
A9	DWR1000B296	CAP,PLASTIC,6 PIN,3.32" X 1.60",JAZZY ELECTRONICS TRAY,B-1000-296	1	\$1.05	\$2.68	
A10	SCRPPH1148	SCREW,PPH,BLACK ZINC,M3-.5 X 10MM	4	\$1.05	\$2.68	
A11	NUTNYLK1072	NUT,NYLOCK,BLACK ZINC,M3-.5	4	\$1.05	\$2.68	
A12	PLSTIE1004	TIE WRAP,BLACK,8"	10	\$1.05	\$2.68	
A13	DWR1265H021	ELECTRONIC,HARNESS,POWER TAKE OFF(PTO)/INHIBIT,Q-LOGIC,CURTIS,H-1265-021	1	\$14.67	\$37.4	
A14	DWR1361H038	ELECTRONIC,HARNESS,RUN PLUG,SURE SEAL,SYNERGY TILT,H-1361-038	1	\$8.06	\$20.56	
A15	ELEASMB5773	CONTROLLER,Q-LOGIC,CURTIS,ASSY,100 AMP,W/R4000 H2 PROGRAM	1	\$453.6	\$1156.68	
<b>B1 — B3</b>	<b>FRMASMB11245</b>	<b>MOUNTING BRACKET,ASSY,POWER MODULE W/HARDWARE,R4000</b>	<b>1</b>	<b>\$9.07</b>	<b>\$23.13</b>	
B1	DWR1505C085	POWER MODULE MOUNTING BRACKET,C-1505-085	1	\$8.82	\$22.49	
B2	SCRASBH1011	SCREW,BHSCS,BLACK ZINC,M6-1.0 X 16MM,GRADE 8.8	4	\$1.05	\$2.68	
B3	NUTNYLK1019	NUT,NYLOCK,BLACK ZINC,M6-1.0	4	\$1.05	\$2.68	
<b>C1 — C3</b>	<b>HDWASMB1059</b>	<b>QUICK RELEASE BUTTON,ASSY,FLIGHT POWER MODULE,B-1116-054</b>	<b>2</b>	<b>\$6.3</b>	<b>\$16.07</b>	
C1	DWR1056B023	POWER MODULE BUTTON SCREW,B-1056-023	1	\$1.05	\$2.68	
C2	DWR1056B033	POWER MODULE BUTTON,B-1056-033	1	\$1.05	\$2.68	
C3	DWR1054B041	SPRING,COMPRESSION,BRIGHT ZINC,1.50" FL X 0.30" OD X 0.038" WIRE DIA X RATE:13.5LBS/IN,MUSIC WIRE,B-1054-041,(MCMMASTER CARR:9434K62)	1	\$4.2	\$10.71	
D1	DWR1111H065	ELECTRONIC,HARNESS,BUS EXTENSION CABLE,CURTIS,0.410 METER,MALE/FEMALE,H-1111-065,(CURTIS: 37393-002)	1	\$210	\$350	



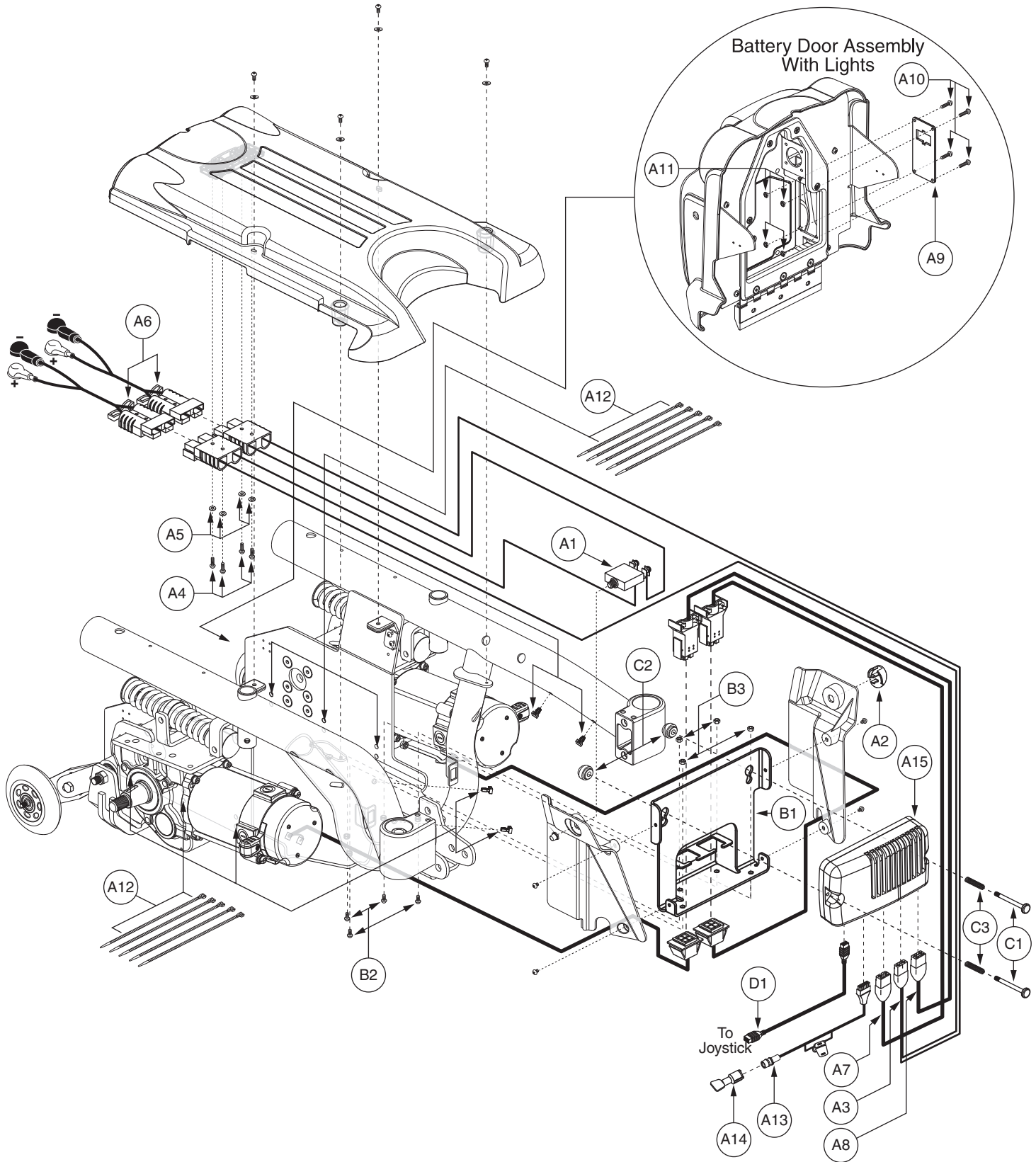


REF #	PART #	DESCRIPTION	QTY	Dealer \$	11i MSRP
<b>A1 — C3</b>	<b>ELEASMB5732</b>	<b>ELECTRONIC,ASSY,Q-LOGIC,CURTIS,100 AMP,HIGH SPEED HAMMER MOTORS,R4000</b>	<b>1</b>	<b>\$755.22</b>	<b>\$1925.81</b>
A1	ELEASMB1188	ELECTRONIC,ASSY,CIRCUIT BREAKER,70 AMP	1	\$13.65	\$34.81
A2	DWR1505D059	ELECTRONIC,BREAKER,PLUG,D-1505-059	1	\$1.05	\$2.68
A3	DWR1265H027	ELECTRONIC,HARNESS,RUN PLUG,Q-LOGIC,H-1265-027	1	\$3	\$7.65
A4	DWR1059H001	ELECTRONIC,HARNESS,BATTERY CABLE,Q-LOGIC,CURTIS,QUANTUM6000/R4000,H-1059-001	1	\$28.8	\$73.45
A5	SCRPPH1374	SCREW,PPH,BLACK ZINC,M3-.5 X 18MM	4	\$1.05	\$2.68
A6	WASLOCK1069	WASHER,LOCK,BLACK ZINC,3.4MM ID X 6.2MM OD X 0.7MM TH	4	\$1.05	\$2.68
A7	ELEASMB2868	ELECTRONIC,ASSY,BATTERY CABLE,GRAY,W/125A/32V FUSEABLE LINK,QUICK DISCONNECT,H-1500-013	2	\$32.55	\$83
A8	DWR1505H050	ELECTRONIC,HARNESS,MOTOR,LEFT,Q-LOGIC,VIBE,H-1505-050	1	\$25.73	\$65.61
A9	DWR1505H051	ELECTRONIC,HARNESS,MOTOR,RIGHT,Q-LOGIC,VIBE,H-1505-051	1	\$25.73	\$65.61
A10	DWR1000B296	CAP,PLASTIC,6 PIN,3.32" X 1.60",JAZZY ELECTRONICS TRAY,B-1000-296	1	\$1.05	\$2.68
A11	SCRPPH1148	SCREW,PPH,BLACK ZINC,M3-.5 X 10MM	4	\$1.05	\$2.68
A12	NUTNYLK1072	NUT,NYLOCK,BLACK ZINC,M3-.5	4	\$1.05	\$2.68
A13	PLSTIE1004	TIE WRAP,BLACK,8"	10	\$1.05	\$2.68
A14	ELEASMB5771	CONTROLLER,Q-LOGIC,CURTIS,ASSY,100 AMP,W/R4000 HIGH SPEED HAMMER PROGRAM	1	\$473.76	\$1208.09
<b>B1 — B3</b>	<b>FRMASMB11245</b>	<b>MOUNTING BRACKET,ASSY,POWER MODULE W/HARDWARE,R4000</b>	<b>1</b>	<b>\$9.07</b>	<b>\$23.13</b>
B1	DWR1505C085	POWER MODULE MOUNTING BRACKET,C-1505-085	1	\$8.82	\$22.49
B2	SCRASBH1011	SCREW,BHSCS,BLACK ZINC,M6-1.0 X 16MM,GRADE 8.8	4	\$1.05	\$2.68
B3	NUTNYLK1019	NUT,NYLOCK,BLACK ZINC,M6-1.0	4	\$1.05	\$2.68
<b>C1 — C3</b>	<b>HDWASMB1059</b>	<b>QUICK RELEASE BUTTON,ASSY,FLIGHT POWER MODULE,B-1116-054</b>	<b>2</b>	<b>\$6.3</b>	<b>\$16.07</b>
C1	DWR1056B023	POWER MODULE BUTTON SCREW,B-1056-023	1	\$1.05	\$2.68
C2	DWR1056B033	POWER MODULE BUTTON,B-1056-033	1	\$1.05	\$2.68
C3	DWR1054B041	SPRING,COMPRESSION,BRIGHT ZINC,1.50" FL X 0.30" OD X 0.038" WIRE DIA X RATE:13.5LBS/IN,MUSIC WIRE,B-1054-041,(MCMaster CARR:9434K62)	1	\$4.2	\$10.71
D1	DWR1111H065	ELECTRONIC,HARNESS,BUS EXTENSION CABLE,CURTIS,0.410 METER,MALE/FEMALE,H-1111-065,(CURTIS: 37393-002)	1	\$210	\$350



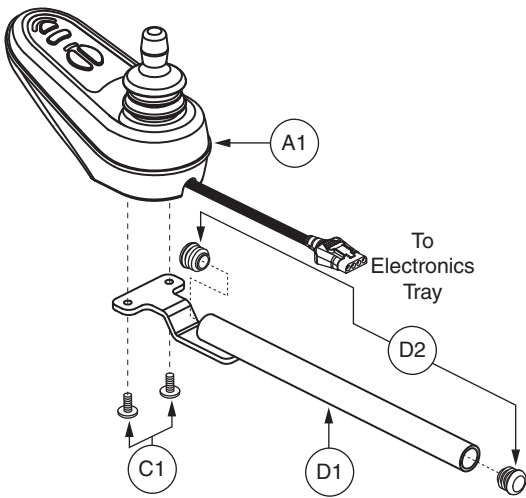


REF #	PART #	DESCRIPTION	QTY	Dealer \$	MSRP	11i
<b>A1 — C3</b>	<b>ELEASMB5734</b>	<b>ELECTRONIC,ASSY,Q-LOGIC,CURTIS,100 AMP,HIGH SPEED HAMMER MOTORS,R4000,QUANTUM</b>	<b>1</b>	<b>\$772</b>	<b>\$1968.61</b>	
A1	ELEASMB1188	ELECTRONIC,ASSY,CIRCUIT BREAKER,70 AMP	1	\$13.65	\$34.81	
A2	DWR1505D059	ELECTRONIC,BREAKER,PLUG,D-1505-059	1	\$1.05	\$2.68	
A3	DWR1059H001	ELECTRONIC,HARNESS,BATTERY CABLE,Q-LOGIC,CURTIS,QUANTUM6000/R4000,H-1059-001	1	\$28.8	\$73.45	
A4	SCRPPH1374	SCREW,PPH,BLACK ZINC,M3-.5 X 18MM	4	\$1.05	\$2.68	
A5	WASLOCK1069	WASHER,LOCK,BLACK ZINC,3.4MM ID X 6.2MM OD X 0.7MM TH	4	\$1.05	\$2.68	
A6	ELEASMB2868	ELECTRONIC,ASSY,BATTERY CABLE,GRAY,W/125A/32V FUSEABLE LINK,QUICK DISCONNECT,H-1500-013	2	\$32.55	\$83	
A7	DWR1505H050	ELECTRONIC,HARNESS,MOTOR,LEFT,Q-LOGIC,VIBE,H-1505-050	1	\$25.73	\$65.61	
A8	DWR1505H051	ELECTRONIC,HARNESS,MOTOR,RIGHT,Q-LOGIC,VIBE,H-1505-051	1	\$25.73	\$65.61	
A9	DWR1000B296	CAP,PLASTIC,6 PIN,3.32" X 1.60",JAZZY ELECTRONICS TRAY,B-1000-296	1	\$1.05	\$2.68	
A10	SCRPPH1148	SCREW,PPH,BLACK ZINC,M3-.5 X 10MM	4	\$1.05	\$2.68	
A11	NUTNYLK1072	NUT,NYLOCK,BLACK ZINC,M3-.5	4	\$1.05	\$2.68	
A12	PLSTIE1004	TIE WRAP,BLACK,8"	10	\$1.05	\$2.68	
A13	DWR1265H021	ELECTRONIC,HARNESS,POWER TAKE OFF(PTO)/INHIBIT,Q-LOGIC,CURTIS,H-1265-021	1	\$14.67	\$37.4	
A14	DWR1361H038	ELECTRONIC,HARNESS,RUN PLUG,SURE SEAL,SYNERGY TILT,H-1361-038	1	\$8.06	\$20.56	
A15	ELEASMB5772	CONTROLLER,Q-LOGIC,CURTIS,ASSY,100 AMP,W/R4000 HIGH SPEED HAMMER PROGRAM,QUANTUM	1	\$453.6	\$1156.68	
<b>B1 — B3</b>	<b>FRMASMB11245</b>	<b>MOUNTING BRACKET,ASSY,POWER MODULE W/HARDWARE,R4000</b>	<b>1</b>	<b>\$9.07</b>	<b>\$23.13</b>	
B1	DWR1505C085	POWER MODULE MOUNTING BRACKET,C-1505-085	1	\$8.82	\$22.49	
B2	SCRASBH1011	SCREW,BHSCS,BLACK ZINC,M6-1.0 X 16MM,GRADE 8.8	4	\$1.05	\$2.68	
B3	NUTNYLK1019	NUT,NYLOCK,BLACK ZINC,M6-1.0	4	\$1.05	\$2.68	
<b>C1 — C3</b>	<b>HDWASMB1059</b>	<b>QUICK RELEASE BUTTON,ASSY,FLIGHT POWER MODULE,B-1116-054</b>	<b>2</b>	<b>\$6.3</b>	<b>\$16.07</b>	
C1	DWR1056B023	POWER MODULE BUTTON SCREW,B-1056-023	1	\$1.05	\$2.68	
C2	DWR1056B033	POWER MODULE BUTTON,B-1056-033	1	\$1.05	\$2.68	
C3	DWR1054B041	SPRING,COMPRESSION,BRIGHT ZINC,1.50" FL X 0.30" OD X 0.038" WIRE DIA X RATE:13.5LBS/IN,MUSIC WIRE,B-1054-041,(MCMMASTER CARR:9434K62)	1	\$4.2	\$10.71	
D1	DWR1111H065	ELECTRONIC,HARNESS,BUS EXTENSION CABLE,CURTIS,0.410 METER,MALE/FEMALE,H-1111-065,(CURTIS: 37393-002)	1	\$210	\$350	

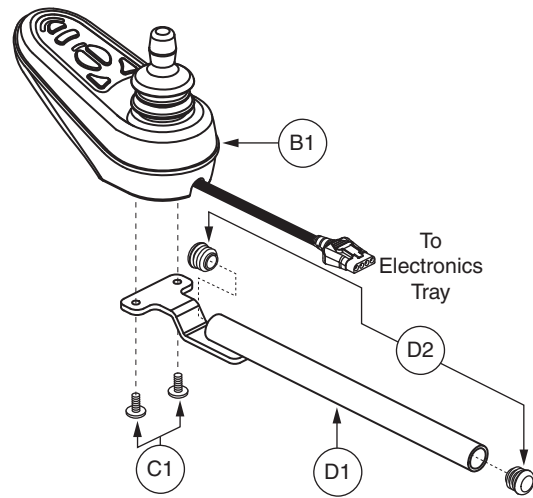


REF #	PART #	DESCRIPTION	QTY	Dealer \$	MSRP	11i
<b>A1 — C3</b>	<b>ELEASMB5733</b>	<b>ELECTRONIC,ASSY,Q-LOGIC,CURTIS,100 AMP,HIGH SPEED HAMMER MOTORS,R4000,TILT THRU TOGGLE</b>	<b>1</b>	<b>\$772</b>	<b>\$1968.61</b>	
A1	ELEASMB1188	ELECTRONIC,ASSY,CIRCUIT BREAKER,70 AMP	1	\$13.65	\$34.81	
A2	DWR1505D059	ELECTRONIC,BREAKER,PLUG,D-1505-059	1	\$1.05	\$2.68	
A3	DWR1059H001	ELECTRONIC,HARNESS,BATTERY CABLE,Q-LOGIC,CURTIS,QUANTUM6000/R4000,H-1059-001	1	\$28.8	\$73.45	
A4	SCRPPH1374	SCREW,PPH,BLACK ZINC,M3-.5 X 18MM	4	\$1.05	\$2.68	
A5	WASLOCK1069	WASHER,LOCK,BLACK ZINC,3.4MM ID X 6.2MM OD X 0.7MM TH	4	\$1.05	\$2.68	
A6	ELEASMB2868	ELECTRONIC,ASSY,BATTERY CABLE,GRAY,W/125A/32V FUSEABLE LINK,QUICK DISCONNECT,H-1500-013	2	\$32.55	\$83	
A7	DWR1505H050	ELECTRONIC,HARNESS,MOTOR,LEFT,Q-LOGIC,VIBE,H-1505-050	1	\$25.73	\$65.61	
A8	DWR1505H051	ELECTRONIC,HARNESS,MOTOR,RIGHT,Q-LOGIC,VIBE,H-1505-051	1	\$25.73	\$65.61	
A9	DWR1000B296	CAP,PLASTIC,6 PIN,3.32" X 1.60",JAZZY ELECTRONICS TRAY,B-1000-296	1	\$1.05	\$2.68	
A10	SCRPPH1148	SCREW,PPH,BLACK ZINC,M3-.5 X 10MM	4	\$1.05	\$2.68	
A11	NUTNYLK1072	NUT,NYLOCK,BLACK ZINC,M3-.5	4	\$1.05	\$2.68	
A12	PLSTIE1004	TIE WRAP,BLACK,8"	10	\$1.05	\$2.68	
A13	DWR1265H021	ELECTRONIC,HARNESS,POWER TAKE OFF(PTO)/INHIBIT,Q-LOGIC,CURTIS,H-1265-021	1	\$14.67	\$37.4	
A14	DWR1361H038	ELECTRONIC,HARNESS,RUN PLUG,SURE SEAL,SYNERGY TILT,H-1361-038	1	\$8.06	\$20.56	
A15	ELEASMB5771	CONTROLLER,Q-LOGIC,CURTIS,ASSY,100 AMP,W/R4000 HIGH SPEED HAMMER PROGRAM	1	\$473.76	\$1208.09	
<b>B1 — B3</b>	<b>FRMASMB11245</b>	<b>MOUNTING BRACKET,ASSY,POWER MODULE W/HARDWARE,R4000</b>	<b>1</b>	<b>\$9.07</b>	<b>\$23.13</b>	
B1	DWR1505C085	POWER MODULE MOUNTING BRACKET,C-1505-085	1	\$8.82	\$22.49	
B2	SCRASBH1011	SCREW,BHSCS,BLACK ZINC,M6-1.0 X 16MM,GRADE 8.8	4	\$1.05	\$2.68	
B3	NUTNYLK1019	NUT,NYLOCK,BLACK ZINC,M6-1.0	4	\$1.05	\$2.68	
<b>C1 — C3</b>	<b>HDWASMB1059</b>	<b>QUICK RELEASE BUTTON,ASSY,FLIGHT POWER MODULE,B-1116-054</b>	<b>2</b>	<b>\$6.3</b>	<b>\$16.07</b>	
C1	DWR1056B023	POWER MODULE BUTTON SCREW,B-1056-023	1	\$1.05	\$2.68	
C2	DWR1056B033	POWER MODULE BUTTON,B-1056-033	1	\$1.05	\$2.68	
C3	DWR1054B041	SPRING,COMPRESSION,BRIGHT ZINC,1.50" FL X 0.30" OD X 0.038" WIRE DIA X RATE:13.5LBS/IN,MUSIC WIRE,B-1054-041,(MCMaster CARR:9434K62)	1	\$4.2	\$10.71	
D1	DWR1111H065	ELECTRONIC,HARNESS,BUS EXTENSION CABLE,CURTIS,0.410 METER,MALE/FEMALE,H-1111-065,(CURTIS: 37393-002)	1	\$210	\$350	

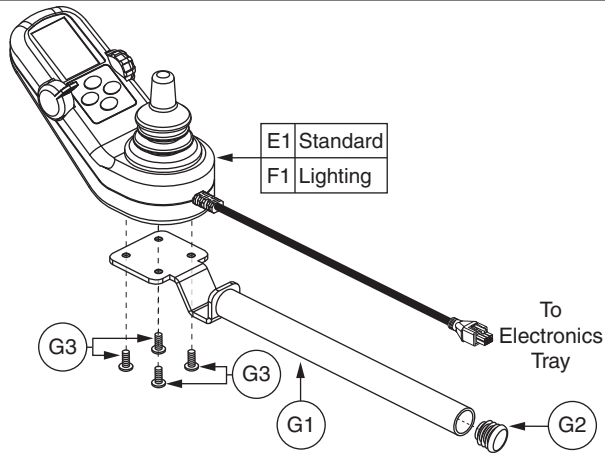
A1 VR2 4-Key



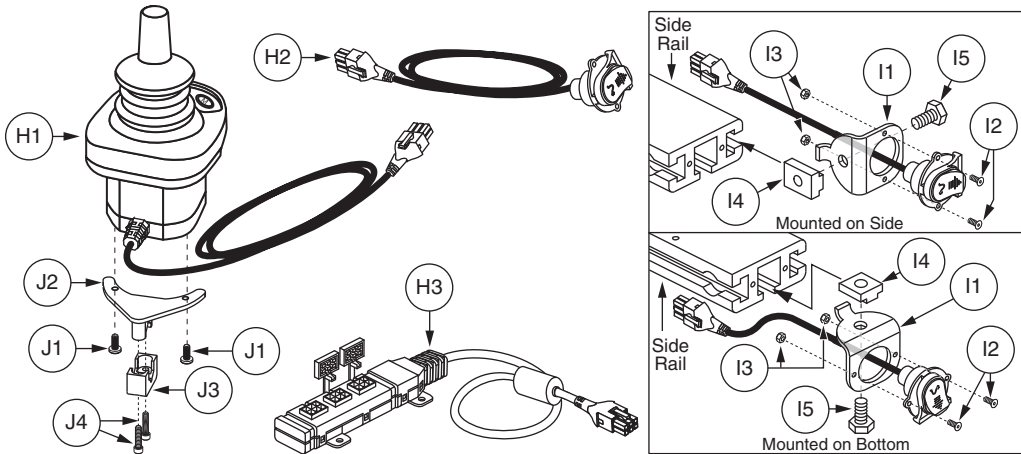
B1 VR2 6-Key



E1/F1 Q-Logic



H1 — I5 Q-Logic Stand Alone



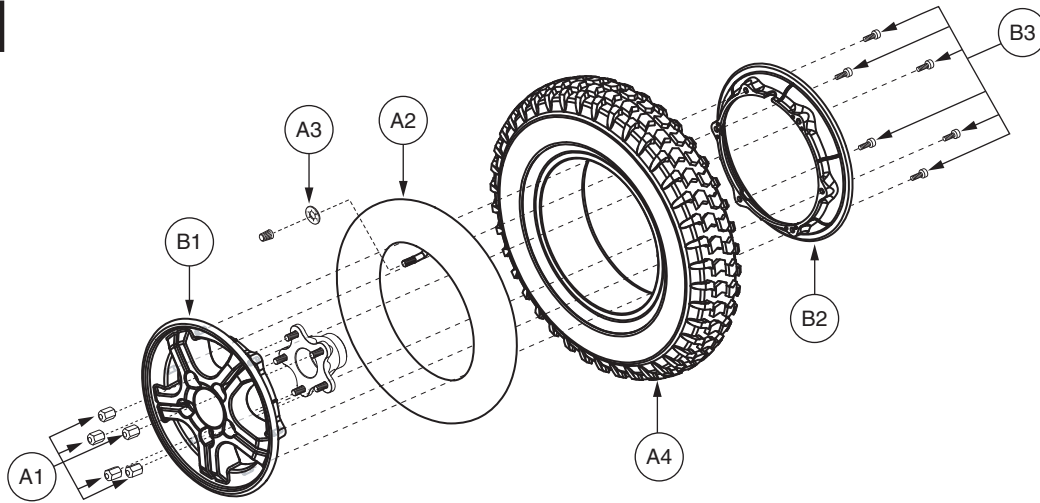
# VI. Controller Assemblies

REF #	PART #	DESCRIPTION	QTY	Dealer \$	MSRP	11i
A1	CTLDC1463	CONTROLLER,JOYSTICK MODULE,4 KEY,VR2,H-1111-015,(P&G: D50677)	1	\$151.2	\$385.56	
B1	CTLDC1498	CONTROLLER,JOYSTICK MODULE,6 KEY,VR2,H-1111-063,(P&G: D50680)	1	\$156.24	\$398.41	
C1 - D2	FRMASMB9532	JOYSTICK MOUNTING BRACKET,ASSY,GC/VR2 CONTROLLER,INLINE	1	\$3.55	\$9.05	
C1	SCRPPH1122	SCREW,PPH,BLACK ZINC,M5-.8 X 18MM	2	\$1.05	\$2.68	
D1 - D2	FRMASMB9533	JOYSTICK MOUNTING BRACKET,ASSY,GC/VR2 CONTROLLER,INLINE,W/END CAPS	1	\$4.74	\$12.08	
D1	DWR1010D281	MOUNTING BRACKET,JOYSTICK WELDMENT,GC,INLINE,D-1010-281	1	\$4.74	\$12.08	
D2	PROECAP1014	CAP,END,BLACK,PLASTIC,19MM OD,FITS 15MM ID TUBING,ROUND,B-9940-014	2	\$1.05	\$2.68	
E1	CTLDC1467	CONTROLLER,JOYSTICK MODULE,Q-LOGIC,CURTIS,4 KEY,W/LCD COLOR DISPLAY,H-1111-022,(CURTIS: 17856700)	1	\$584.64	\$1490.83	
F1	CTLDC1468	CONTROLLER,JOYSTICK MODULE,Q-LOGIC,CURTIS,4 KEY,LIGHTS,W/LCD COLOR DISPLAY,H-1111-023,(CURTIS: 17867700)	1	\$791.28	\$2017.76	
G1 - G3	FRMASMB10617	JOYSTICK MOUNTING BRACKET,ASSY,CURTIS CONTROLLER,INLINE	1	\$19.87	\$50.67	
G1	DWR1010D317	MOUNTING BRACKET,CURTIS CONTROLLER,INLINE,D-1010-317	1	\$14.62	\$37.27	
G2	PROECAP1014	CAP,END,BLACK,PLASTIC,19MM OD,FITS 15MM ID TUBING,ROUND,B-9940-014	1	\$1.05	\$2.68	
G3	SCRSHFH1015	SCREW,SHFH,BLACK ZINC,M5-.8 X 12MM,GRADE 10.9	4	\$1.05	\$2.68	
H1 - I5	ELEASMB5205	CONTROLLER,ASSY,CURTIS,STAND ALONE JOYSTICK/ATTENDANT CONTROL	1	\$672.93	\$1715.97	
H1	CTLDC1469	CONTROLLER,JOYSTICK/ATTENDANT CONTROL MODULE,Q-LOGIC,CURTIS,STAND ALONE,H-1111-024,(CURTIS: 17859701)	1	\$327.6	\$835.38	
H2	DWR1111H051	HARNESS,CHARGER/PROGRAMMER,1.0 METER,H-1111-051,(CURTIS: 17880700)	1	\$56.7	\$144.59	
H3	DWR1111H053	HARNESS,MULTIPLIER BOX,0.3 METER,H-1111-053,(CURTIS: 17869700)	1	\$86.75	\$144.59	
I1 - I5	FRMASMB11156	MOUNTING BRACKET,ASSY,STAND ALONE JOYSTICK,SIDE RAIL MOUNT,C-1360-163	1	\$12.88	\$32.84	
I1	DWR1360C162	MOUNTING BRACKET,STAND ALONE JOYSTICK,SIDE RAIL MOUNT,C-1360-162	1	\$4.33	\$11.05	
I2	SCRSHFH1114	SCREW,SHFH,BLACK ZINC,4-40 X 0.50"	2	\$1.05	\$2.68	
I3	NUTNYLK1009	NUT,NYLOCK,BLACK ZINC,4-40	2	\$1.05	\$2.68	
I4	DWR1360A004	T-NUT,5/16-18 X 0.875",A-1360-004	1	\$3.3	\$5.5	
I5	SCRHHCS1301	SCREW,HHCS,BLACK ZINC,5/16-18 X 0.50",GRADE 8,W/NYLON PATCH	1	\$1.05	\$2.68	
J1 - J4	FRMASMB10454	JOYSTICK MOUNTING BRACKET,ASSY,CURTIS STAND ALONE JOYSTICK,MIDLINE,C-1010-263	1	\$52.64	\$134.24	
J1	SCRPPH1165	SCREW,PPH,BLACK ZINC,M4-.7 X 8MM,P-TYPE	2	\$1.05	\$2.68	
J2	DWR1010C258	MOUNTING BRACKET WELDMENT,CURTIS STAND ALONE JOYSTICK,MIDLINE,C-1010-258	1	N/A	N/A	
J3	DWR1000B332	MOUNTING BRACKET,TOP CLAMP,RJM MOUNT BRACKET,B-1000-332	1	N/A	N/A	
J4	SCRSHCS1171	SCREW,SHCS,BLACK ZINC,6-32 X 0.625"	2	\$1.05	\$2.68	

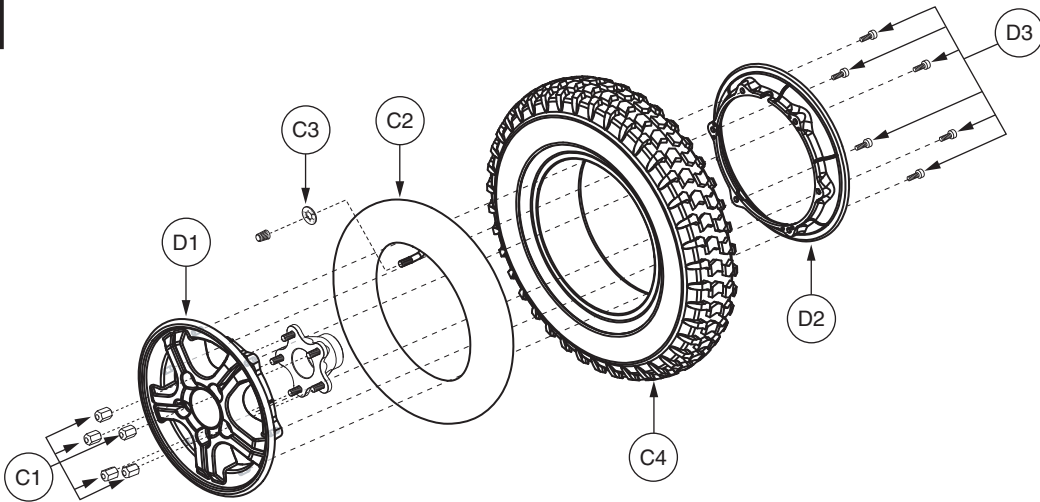


# VII. Drive Wheel Assembly — Pneumatic

A1 — B3 BLACK



C1 — D3 SILVER

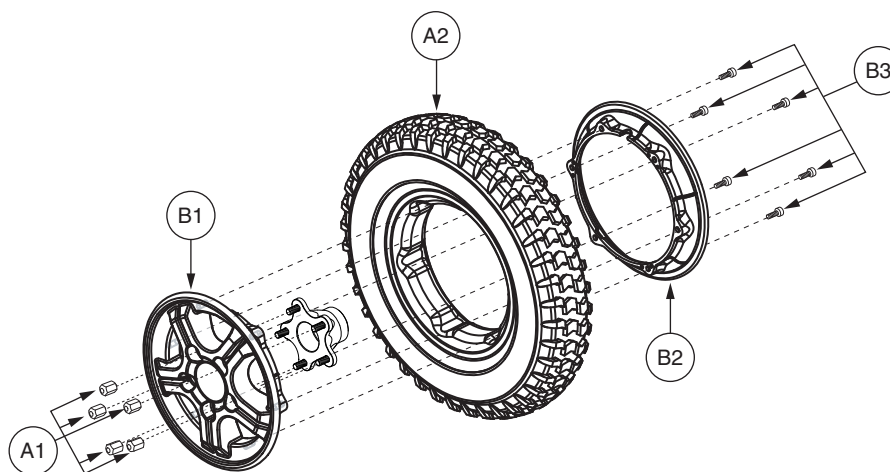


REF #	PART #	DESCRIPTION	QTY	Dealer \$	MSRP	11i
<b>A1 — B3</b>	<b>WHLASMB1770</b>	<b>WHEEL,ASSY,PNEUMATIC DRIVE WHEEL,3.00 X 8,5 SPOKE,C-248-5,W/LUGNUTS,E-1203-009</b>	<b>2</b>	<b>\$47.12</b>	<b>\$120.17</b>	
A1	DWR1005B049	NUT,LUG,ZINC,5/16-24,B-1005-049	5	\$1.05	\$2.68	
A2	TUBSTND1002	TUBE,300-8,ANGLED VALVE W/CAP	1	\$6.3	\$16.07	
A3	DWR7700A010	SLIP COVER,VALVE STEM,35PSI,2.4 BAR,MAX RATING,A-7700-010	1	\$1.05	\$2.68	
A4	TIRPNEU1004	TIRE,PNEUMATIC,300-8 X 14",C-248-5	1	\$13.65	\$34.81	
<b>B1 — B3</b>	<b>WHLASMB1768</b>	<b>WHEEL,ASSY,RIM,8" ALUMINUM,5 SPOKE,MACHINED FACE,D-1203-014</b>	<b>1</b>	<b>N/A</b>	<b>N/A</b>	
B1	DWR1203E008	WHEEL,RIM,BLACK,ALUMINUM,OUTER,5 SPOKE,MACHINED FACED,E-1203-008	1	N/A	N/A	
B2	DWR1133E025	WHEEL,RIM,ALUMINUM,8",INNER,TRI-SPOKE,E-1133-025	1	\$13.65	\$34.81	
B3	SCRALNH1037	SCREW,SHCS,M6-1.0 X 16MM	6	\$1.05	\$2.68	
<b>C1 — D3</b>	<b>WHLASMB1814</b>	<b>WHEEL,ASSY,PNEUMATIC DRIVE WHEEL,SILVER,3.00 X 8,5 SPOKE,C-248-5,W/LUGNUTS,E-1203-009</b>	<b>2</b>	<b>N/A</b>	<b>N/A</b>	
C1	DWR1005B049	NUT,LUG,ZINC,5/16-24,B-1005-049	5	\$1.05	\$2.68	
C2	TUBSTND1002	TUBE,300-8,ANGLED VALVE W/CAP	1	\$6.3	\$16.07	
C3	DWR7700A010	SLIP COVER,VALVE STEM,35PSI,2.4 BAR,MAX RATING,A-7700-010	1	\$1.05	\$2.68	
C4	TIRPNEU1004	TIRE,PNEUMATIC,300-8 X 14",C-248-5	1	\$13.65	\$34.81	
<b>D1 — D3</b>	<b>WHLASMB1812</b>	<b>WHEEL,ASSY,RIM,SILVER,8" ALUMINUM,5 SPOKE,MACHINED FACE,D-1203-014</b>	<b>1</b>	<b>N/A</b>	<b>N/A</b>	
D1	DWR1203E008B	WHEEL,RIM,SILVER,ALUMINUM,8",5 SPOKE,MACHINED FACED,OUTER,E-1203-008	1	N/A	N/A	
D2	DWR1133E025B	WHEEL,RIM,SILVER,ALUMINUM,8",TRI-SPOKE,INNER,E-1133-025	1	N/A	N/A	
D3	SCRALNH1037	SCREW,SHCS,M6-1.0 X 16MM	6	\$1.05	\$2.68	

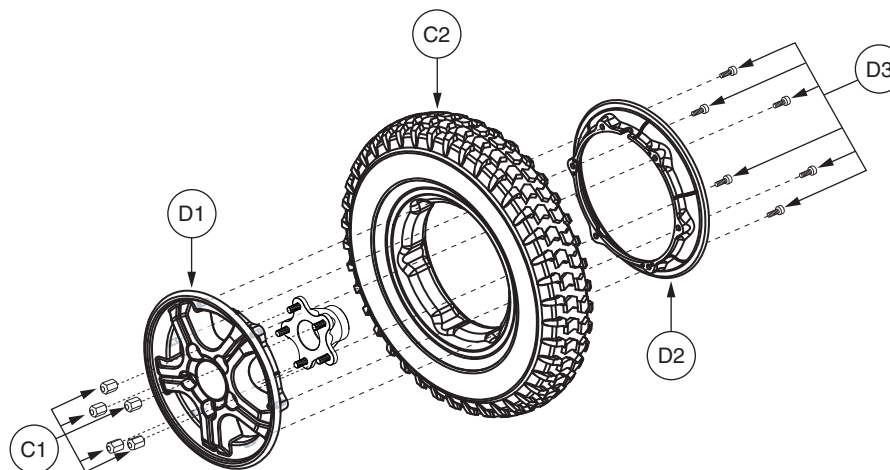


# VII. Drive Wheel Assembly — Flat-free

A1 — B3 BLACK

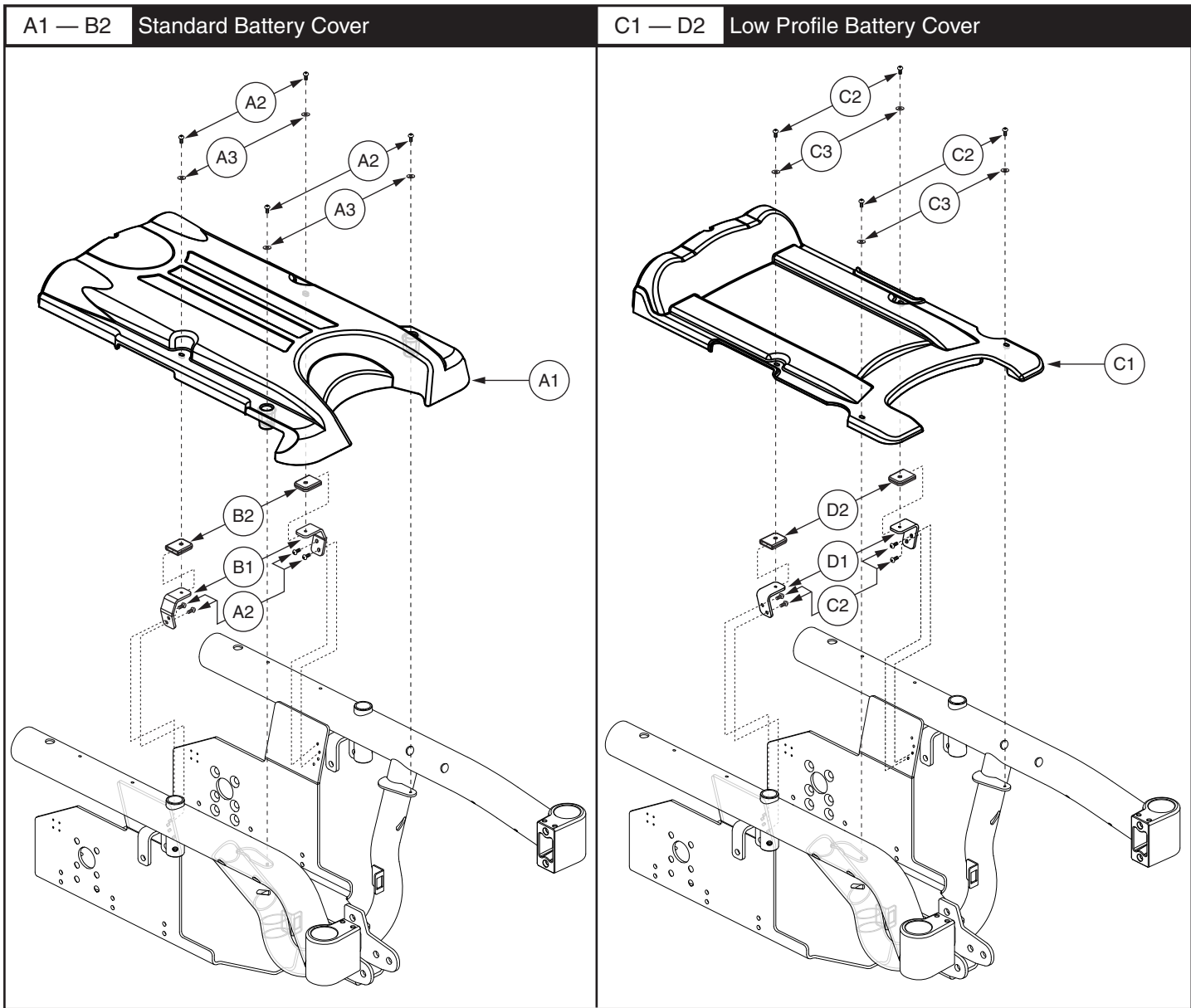


C1 — D3 SILVER



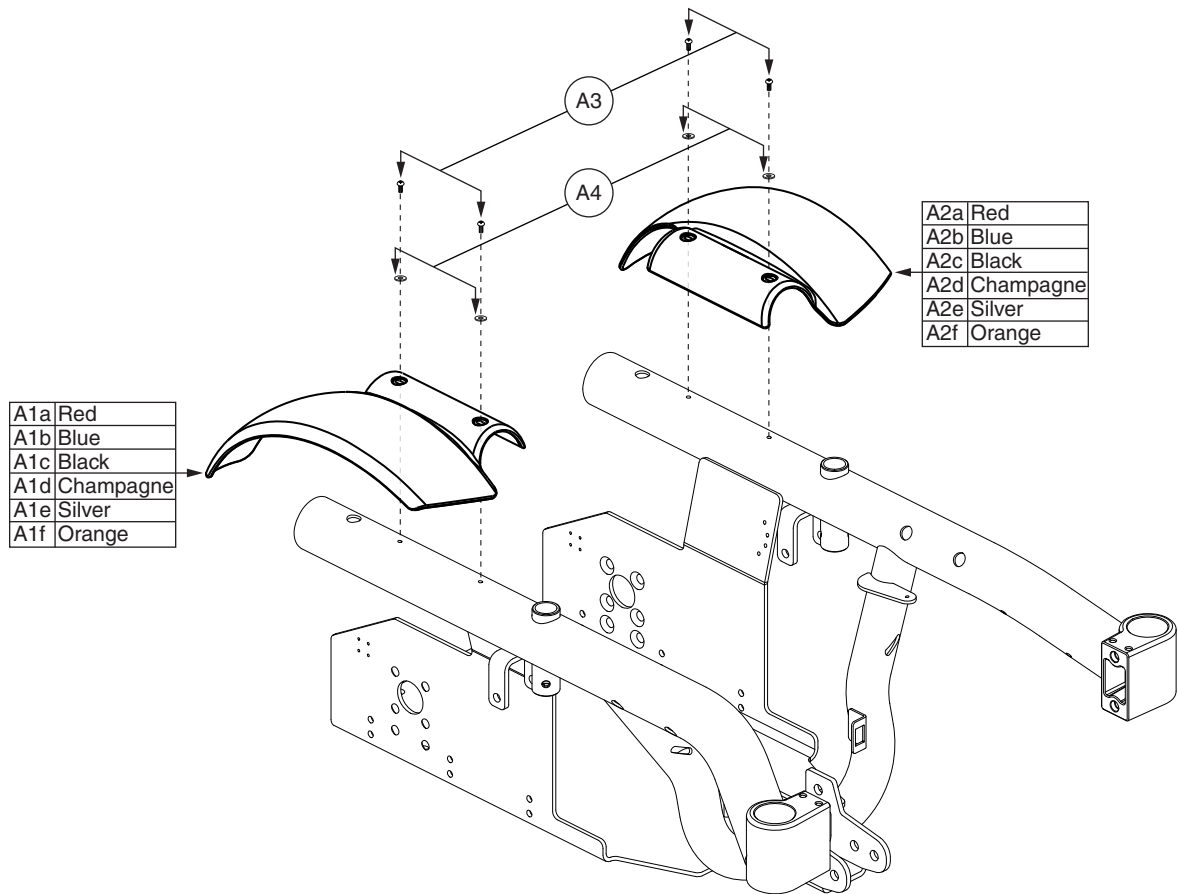
REF #	PART #	DESCRIPTION	QTY	Dealer \$	MSRP	11i
<b>A1 — B3</b>	<b>WHLASMB1769</b>	<b>WHEEL,ASSY,FLAT FREE DRIVE WHEEL,3.00 X 8,5 SPOKE,C-248-5,W/LUGNUTS,D-1203-015</b>	<b>2</b>	<b>\$70.61</b>	<b>\$180.06</b>	
A1	DWR1005B049	NUT,LUG,ZINC,5/16-24,B-1005-049	5	\$1.05	\$2.68	
A2	TIRSOLI1075	TIRE,W/FLAT FREE INSERT,3.00-8 X 14",5 SPOKE,PRIMO DURATRAX,C-248	1	\$43.32	\$110.46	
<b>B1 — B3</b>	<b>WHLASMB1768</b>	<b>WHEEL,ASSY,RIM,8" ALUMINUM,5 SPOKE,MACHINED FACE,D-1203-014</b>	<b>1</b>	<b>N/A</b>	<b>N/A</b>	
B1	DWR1203E008	WHEEL,RIM,BLACK,ALUMINUM,OUTER,5 SPOKE,MACHINED FACED,E-1203-008	1	N/A	N/A	
B2	DWR1133E025	WHEEL,RIM,ALUMINUM,8",INNER,TRI-SPOKE,E-1133-025	1	\$13.65	\$34.81	
B3	SCRALNH1037	SCREW,SHCS,M6-1.0 X 16MM	6	\$1.05	\$2.68	
<b>C1 — D3</b>	<b>WHLASMB1813</b>	<b>WHEEL,ASSY,FLAT FREE DRIVE WHEEL,SILVER,3.00 X 8,5 SPOKE,C-248-5,W/LUGNUTS,D-1203-015</b>	<b>2</b>	<b>\$69.3</b>	<b>\$176.72</b>	
C1	DWR1005B049	NUT,LUG,ZINC,5/16-24,B-1005-049	5	\$1.05	\$2.68	
C2	TIRSOLI1075	TIRE,W/FLAT FREE INSERT,3.00-8 X 14",5 SPOKE,PRIMO POWERTRAX,C-248,(GALLOP: 5508018 YT57)	1	\$43.32	\$110.46	
<b>D1 — D3</b>	<b>WHLASMB1812</b>	<b>WHEEL,ASSY,RIM,SILVER,8" ALUMINUM,5 SPOKE,MACHINED FACE,D-1203-014</b>	<b>1</b>	<b>N/A</b>	<b>N/A</b>	
D1	DWR1203E008B	WHEEL,RIM,SILVER,ALUMINUM,8",5 SPOKE,MACHINED FACED,OUTER,E-1203-008	1	N/A	N/A	
D2	DWR1133E025B	WHEEL,RIM,SILVER,ALUMINUM,8",TRI-SPOKE,INNER,E-1133-025	1	N/A	N/A	
D3	SCRALNH1037	SCREW,SHCS,M6-1.0 X 16MM	6	\$1.05	\$2.68	

# VIII. Shroud Assembly — Battery Cover



REF #	PART #	DESCRIPTION	QTY	Dealer \$	MSRP	11i
<b>A1 — B2</b>	<b>SHDASMB5149</b>	<b>SHROUD,ASSY,CENTER BATTERY COVER,BLACK,R4000</b>	<b>1</b>	<b>\$18.12</b>	<b>\$46.2</b>	
A1	DWR1505E062	SHROUD,BLACK,COVER,CENTER,E-1505-062	1	\$15.12	\$38.56	
A2	SCRPPH1050	SCREW,PPH,BLACK ZINC,M4-.7 X 10MM	8	\$1.05	\$2.68	
A3	WASMETR1022	WASHER,FLAT,BLACK ZINC,4MM ID X 10MM OD X 0.77MM TH,METRIC	4	\$1.05	\$2.68	
<b>B1 — B2</b>	<b>FRMASMB10819</b>	<b>FRAME,ASSY,BATTERY GUARD,HIGH,C-1505-087</b>	<b>2</b>	<b>\$2.52</b>	<b>\$6.43</b>	
B1	DWR1505C074	BATTERY,GUARD,BRACKET,HIGH,C-1505-074	1	\$1.05	\$2.68	
B2	DWR1505C086	BATTERY,GUARD,COVER,BLACK,TPR,C-1505-086	1	\$2.52	\$6.43	
<b>C1 — D2</b>	<b>SHDASMB5150</b>	<b>SHROUD,ASSY,CENTER BATTERY COVER,BLACK,LOW PROFILE,R4000</b>	<b>1</b>	<b>\$12</b>	<b>\$30.59</b>	
C1	DWR1505E061	SHROUD,BLACK,COVER,CENTER,LOW,FOR TILT,E-1505-061	1	\$12.6	\$32.13	
C2	SCRPPH1050	SCREW,PPH,BLACK ZINC,M4-.7 X 10MM	8	\$1.05	\$2.68	
C3	WASMETR1022	WASHER,FLAT,BLACK ZINC,4MM ID X 10MM OD X 0.77MM TH,METRIC	4	\$1.05	\$2.68	
<b>D1 — D2</b>	<b>FRMASMB10820</b>	<b>FRAME,ASSY,BATTERY GUARD,LOW,FOR TILT,C-1505-088</b>	<b>2</b>	<b>\$2.52</b>	<b>\$6.43</b>	
D1	DWR1505C073	BATTERY,GUARD,BRACKET,LOW,C-1505-073	1	\$1.05	\$2.68	
D2	DWR1505C086	BATTERY,GUARD,COVER,BLACK,TPR,C-1505-086	1	\$2.52	\$6.43	

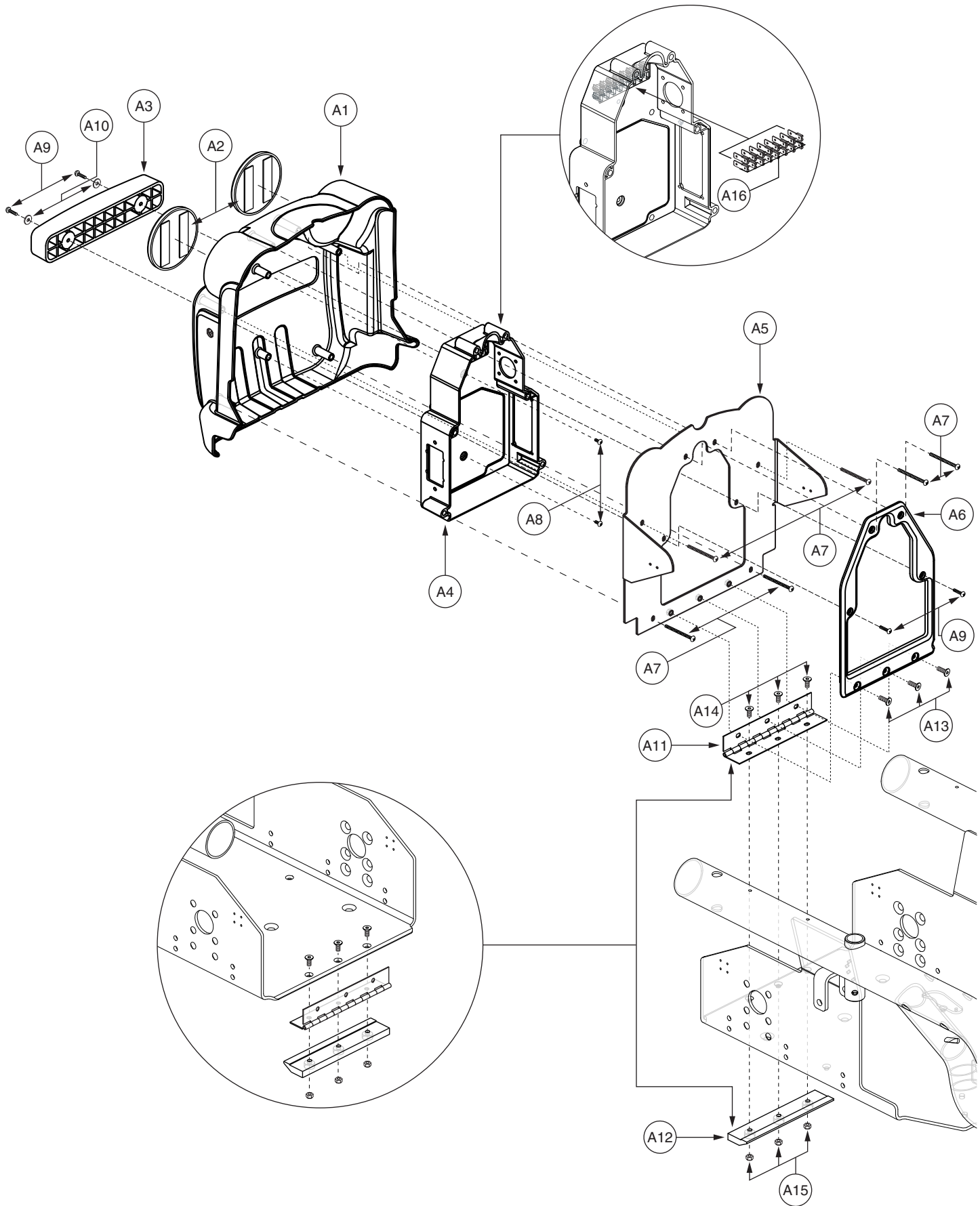
# VIII. Shroud Assembly — Fender



REF #	PART #	DESCRIPTION	QTY	Dealer \$	MSRP	11i
A1a — A4	SHDASMB5234	SHROUD,ASSY,RED,R4000,PAIR	1	\$19.74	\$50.34	
A1b — A4	SHDASMB5235	SHROUD,ASSY,BLUE,R4000,PAIR	1	\$19.74	\$50.34	
A1c — A4	SHDASMB5236	SHROUD,ASSY,BLACK,R4000,PAIR	1	\$19.74	\$50.34	
A1d — A4	SHDASMB5237	SHROUD,ASSY,CHAMPAGNE,R4000,PAIR	1	\$11.67	\$29.75	
A1e — A4	SHDASMB5238	SHROUD,ASSY,SILVER,R4000,PAIR	1	\$11.67	\$29.75	
A1f — A4	SHDASMB5239	SHROUD,ASSY,ORANGE,R4000,PAIR	1	\$11.67	\$29.75	
A1a	DWR1505E064A	SHROUD,PAINTED,RED,RIGHT,R4000,E-1505-064	1	\$5.67	\$14.46	
A1b	DWR1505E064B	SHROUD,PAINTED,BLUE,RIGHT,R4000,E-1505-064	1	\$5.67	\$14.46	
A1c	DWR1505E064C	SHROUD,PAINTED,BLACK,RIGHT,R4000,E-1505-064	1	\$5.67	\$14.46	
A1d	DWR1505E064D	SHROUD,PAINTED,CHAMPAGNE,RIGHT,R4000,E-1505-064	1	\$5.67	\$14.46	
A1e	DWR1505E064E	SHROUD,PAINTED,SILVER,RIGHT,R4000,E-1505-064	1	\$5.67	\$14.46	
A1f	DWR1505E064F	SHROUD,PAINTED,ORANGE,RIGHT,R4000,E-1505-064	1	\$5.67	\$14.46	
A2a	DWR1505E063A	SHROUD,PAINTED,RED,LEFT,R4000,E-1505-063	2	\$5.67	\$14.46	
A2b	DWR1505E063B	SHROUD,PAINTED,BLUE,LEFT,R4000,E-1505-063	1	\$5.67	\$14.46	
A2c	DWR1505E063C	SHROUD,PAINTED,BLACK,LEFT,R4000,E-1505-063	1	\$5.67	\$14.46	
A2d	DWR1505E063D	SHROUD,PAINTED,CHAMPAGNE,LEFT,R4000,E-1505-063	1	\$5.67	\$14.46	
A2e	DWR1505E063E	SHROUD,PAINTED,SILVER,LEFT,R4000,E-1505-063	1	\$5.67	\$14.46	
A2f	DWR1505E063F	SHROUD,PAINTED,ORANGE,LEFT,R4000,E-1505-063	1	\$5.67	\$14.46	
A3	SCRPPH1050	SCREW,PPH,BLACK ZINC,M4-.7 X 10MM	4	\$1.05	\$2.68	
A4	WASMETR1022	WASHER,FLAT,BLACK ZINC,4MM ID X 10MM OD X 0.77MM TH,METRIC	4	\$1.05	\$2.68	

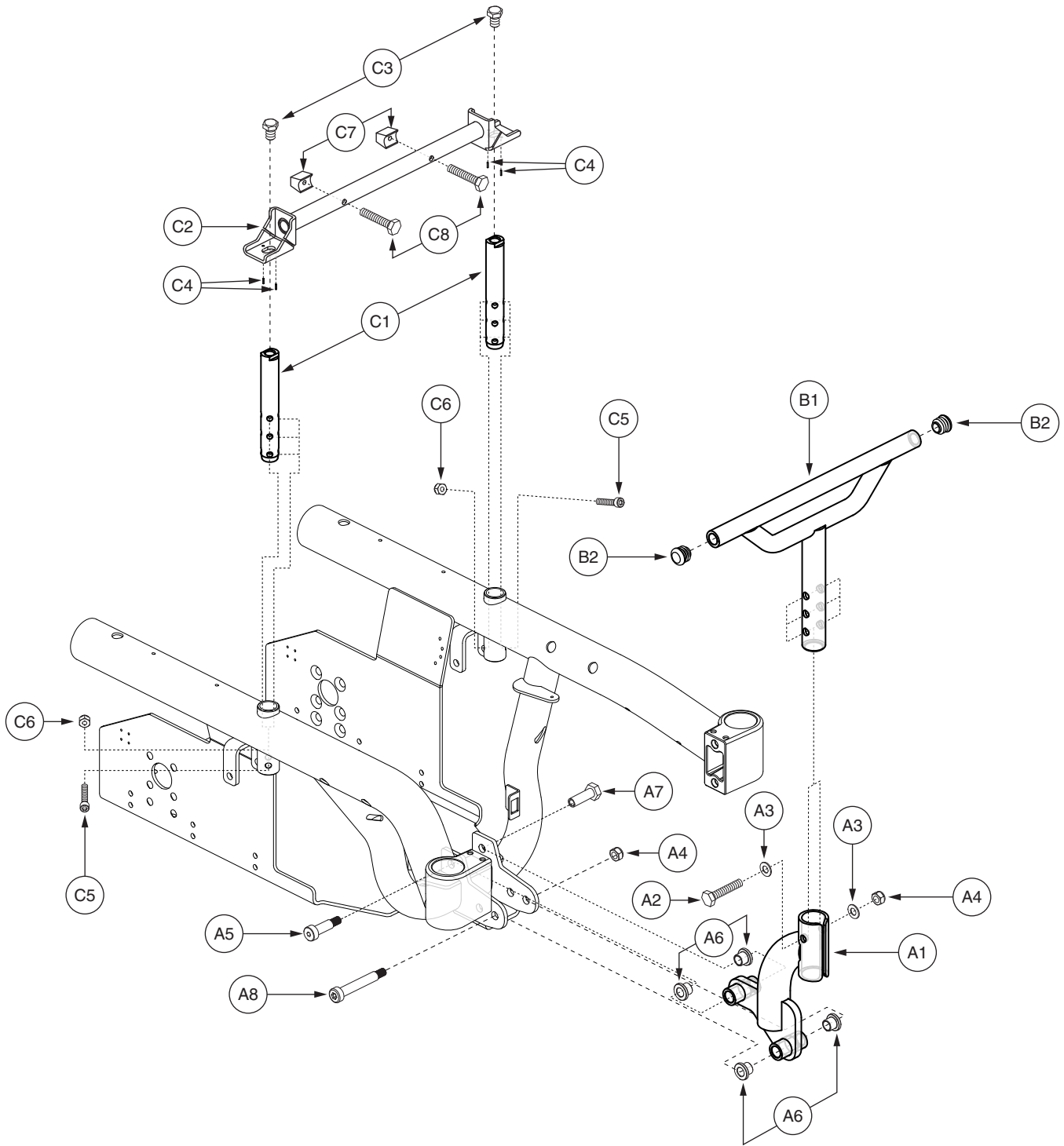
**Notes :**

Top-level assemblies will include components designated with corresponding lower-case letters. Parts without lower-case extensions will be included in all top-level assemblies.



# IX. Battery Door Assembly

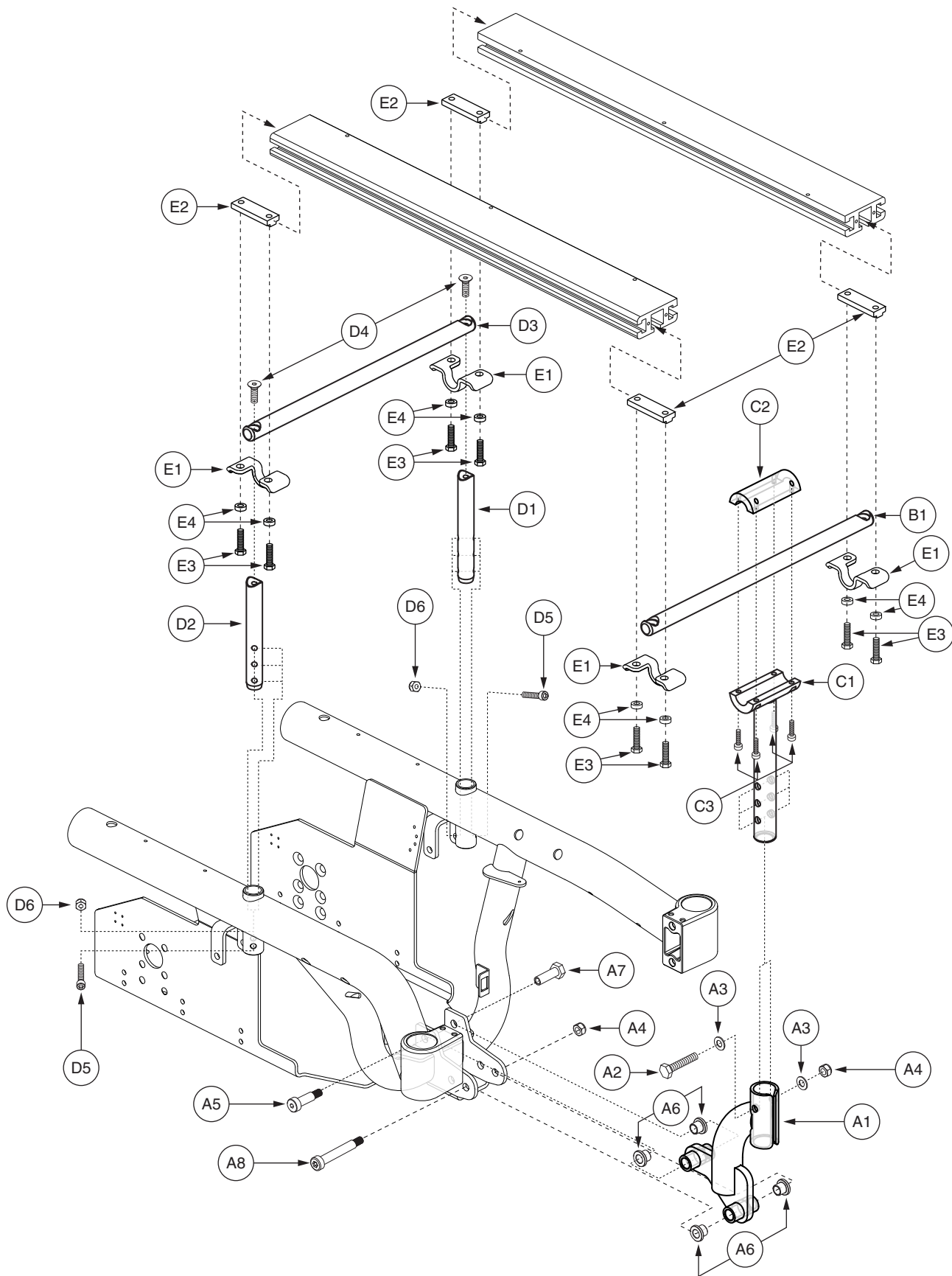
REF #	PART #	DESCRIPTION	QTY	Dealer \$	MSRP	11i
<b>A1 — A16</b>	<b>FRMASMB10859</b>	<b>FRAME,ASSY,BATTERY DOOR,R4000,E-1505-073</b>	<b>1</b>	<b>\$37.8</b>	<b>\$96.39</b>	
A1	DWR1506E012	FRAME,SHROUD,BATTERY DOOR,BLACK,REAR, VIBE-DOMESTIC,E-1506-012	1	\$7.35	\$18.74	
A2	DWR1506A002	REFLECTOR,RED,68.2MM OD X 6MM TH,W/ADHESIVE TAPE	2	\$3.15	\$8.03	
A3	DWR1506D009	RUBBER FOOT,REAR DOOR	1	\$1.05	\$2.68	
A4	DWR1506E010	ELECTRONIC,TRAY,VIBE,E-1506-010	1	\$2.1	\$5.36	
A5	DWR1505D060	FRAME,BATTERY DOOR WELDMENT,D-1505-069	1	N/A	N/A	
A6	DWR1505E066	GASKET,REAR DOOR,E-1505-066	1	\$1.26	\$3.21	
A7	SCRPPH1272	SCREW,PPH,BLACK ZINC,M4-.7 X 45MM,GRADE 10.9	6	\$1.05	\$2.68	
A8	SCRPPH1165	SCREW,PPH,BLACK ZINC,M4-.7 X 8MM,P-TYPE	2	\$1.05	\$2.68	
A9	SCRPPH1140	SCREW,PPH,BLACK ZINC,M4-.7 X 15MM	4	\$1.05	\$2.68	
A10	WASMETR1042	WASHER,FLAT,BLACK ZINC,4.3MM ID X 12MM OD X 1MM TH,METRIC,GB96-4	2	\$1.05	\$2.68	
A11	DWR1505C047	HINGE,BATTERY DOOR,VIBE,C-1505-047	1	\$1.05	\$2.68	
A12	DWR1505C082	HINGE,GUARD,BLACK,STEEL,C-1505-082	1	N/A	N/A	
A13	SCRSHFH1015	SCREW,SHFH,BLACK ZINC,M5-.8 X 12MM,GRADE 10.9	3	\$1.05	\$2.68	
A14	SCRSHFH1049	SCREW,SHFH,BLACK ZINC,M5-.8 X 15MM,GRADE 10.9	3	\$1.05	\$2.68	
A15	NUTNYLK1070	NUT,NYLOCK,BLACK ZINC,M5-.8	3	\$1.05	\$2.68	
A16	DWR1000A199	ELECTRONIC,FUSE,CLIP, PRESS FIT, ATO/SPADE TYPE FUSE,A-1000-199	16	\$1.05	\$2.68	



# X. Seat Tower Assembly — Universal Seating

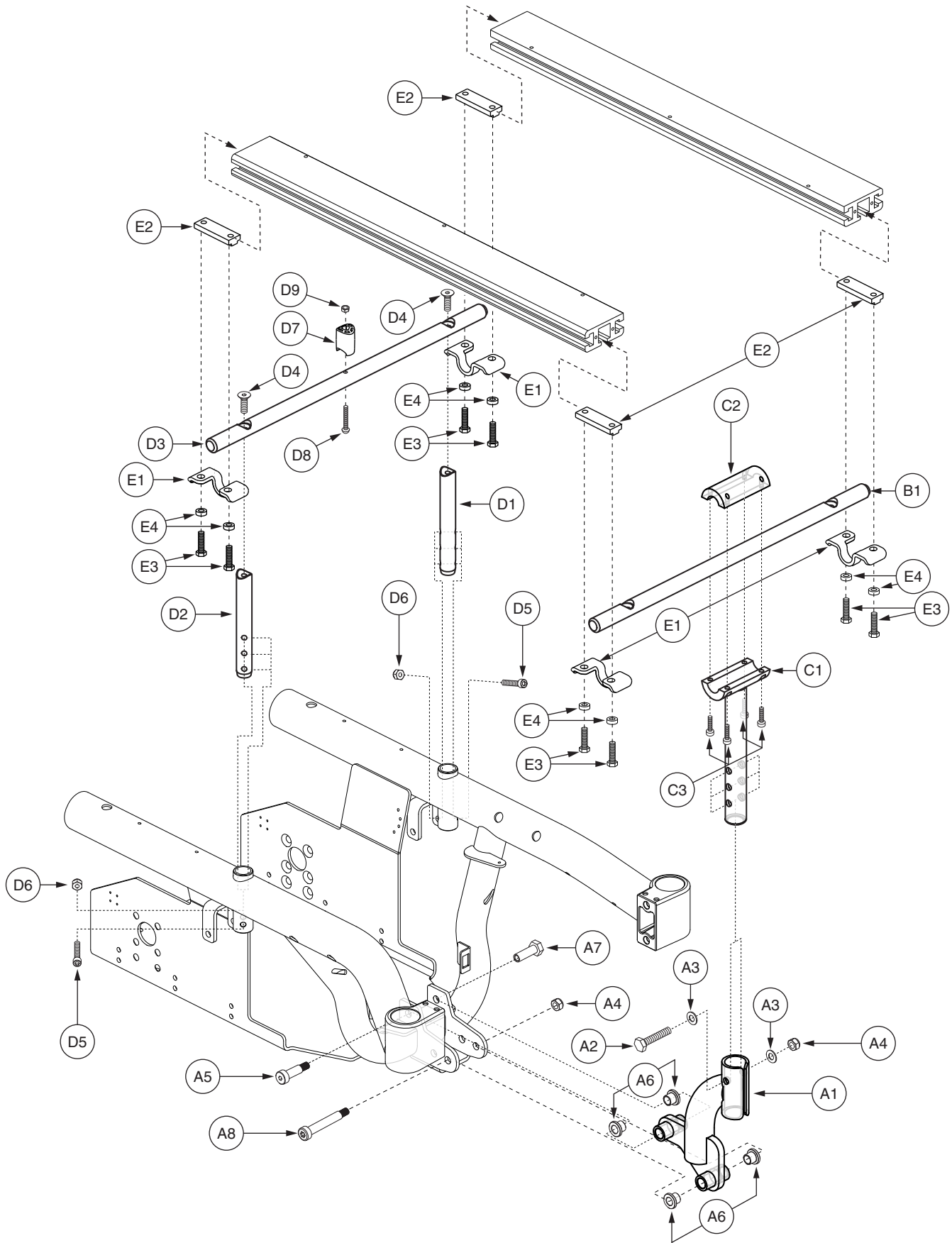
REF #	PART #	DESCRIPTION	QTY	Dealer \$	MSRP	11i
<b>A1 — C8</b>	<b>FRMASMB11373</b>	<b>SEAT TOWER,ASSY,UNIVERSAL FRONT &amp; REAR TOWERS</b>	<b>1</b>	<b>\$44.78</b>	<b>\$114.19</b>	
<b>A1 — A8</b>	<b>FRMASMB11128</b>	<b>SEAT TOWER,ASSY,FRONT,LOWER,R4000,D-1505-075</b>	<b>1</b>	<b>\$20.79</b>	<b>\$53.01</b>	
A1	DWR1505D057	TELESCOPING SEAT TOWER WELDMENT,LOWER,D-1505-057	1	\$15.75	\$40.16	
A2	SCRHHCS1220	SCREW,HHCS,BLACK ZINC,M8-1.25 X 45MM,GRADE 10.9	1	\$1.05	\$2.68	
A3	WASSTND1123	WASHER, FLAT,BLACK ZINC,M8 X 16MM OD X 1.0MM THK	2	\$1.05	\$2.68	
A4	NUTNYLK1011	NUT,NYLOCK,BLACK ZINC,M8-1.25	2	\$1.05	\$2.68	
A5	BLTASHL1144	BOLT,SHOULDER,BLACK,M10 X 25MM,GRADE 12.9	1	\$1.05	\$2.68	
A6	DWR1505A005	BUSHING,FLANGE,NYLON,10.20MM ID X 12.83MM OD X 12.7MM TH X 19.1MM FOD X 3.18MM FTH,A-1505-005	4	\$1.05	\$2.68	
A7	BLTSEX1005	BOLT,SEX,M8-1.25 X 10MM OD X 30MM,FEMALE,HEX HEAD,B-1005-164	1	\$1.39	\$3.53	
A8	BLTASHL1108	BOLT,SHOULDER,10MM X 55MM,GRADE 12.9	1	\$1.05	\$2.68	
<b>B1 — B2</b>	<b>FRMASMB10864</b>	<b>SEAT TOWER,ASSY,FRONT,UPPER,R4000,E-1505-074</b>	<b>1</b>	<b>\$10.26</b>	<b>\$26.15</b>	
B1	DWR1505D058	TELESCOPING SEAT TOWER WELDMENT,UPPER,D-1505-058	1	\$10.71	\$27.31	
B2	PROECAP1014	CAP.END,BLACK,PLASTIC,19MM OD,FITS 15MM ID TUBING,ROUND,B-9940-014	2	\$1.05	\$2.68	
<b>C1 — C8</b>	<b>FRMASMB10860</b>	<b>SEAT TOWER,ASSY,REAR,R4000,D-1505-065</b>	<b>1</b>	<b>\$13.73</b>	<b>\$35.02</b>	
C1	DWR1505C021	SEAT TOWER,5"L,3 HOLE,C-1505-021	2	\$1.05	\$2.68	
C2	DWR1000E138	HORIZONTAL TOWER SPANNER WELDMENT,14.322" CENTERS,UNIVERSAL SEAT FRAME	1	\$15.75	\$40.16	
C3	SCRHHCS1272	SCREW,HHCS,BLACK ZINC,M10-1.5 X 15MM,GRADE 12.9	2	\$1.05	\$2.68	
C4	PINSPRG1029	SPRING PIN,2MM DIA X 6MM L	4	\$1.05	\$2.68	
C5	SCRSHCS1084	SCREW,SHCS,BLACK ZINC,M6-1.0 X 35MM,GRADE 12.9	2	\$1.05	\$2.68	
C6	NUTNYLK1019	NUT,NYLOCK,BLACK ZINC,M6-1.0	2	\$1.05	\$2.68	
C7	DWR1010B033	TRAPEZE BAR STOP BLOCK,B-1010-033	2	\$8.4	\$21.42	
C8	SCRHHCS1188	SCREW,HHCS,BLACK ZINC,1/4-20 X 1.25",GRADE 5	2	\$1.05	\$2.68	





# X. Seat Tower Assembly — Synergy Seat, 10"-14"W

REF #	PART #	DESCRIPTION	QTY	Dealer \$	MSRP	11i
<b>A1 — A8</b>	<b>FRMASMB11128</b>	<b>SEAT TOWER,ASSY,FRONT,LOWER,R4000,D-1505-075</b>	<b>1</b>	<b>\$20.79</b>	<b>\$53.01</b>	
A1	DWR1505D057	TELESCOPING SEAT TOWER WELDMENT,LOWER,D-1505-057	1	\$15.75	\$40.16	
A2	SCRHHCS1220	SCREW,HHCS,BLACK ZINC,M8-1.25 X 45MM,GRADE 10.9	1	\$1.05	\$2.68	
A3	WASSTND1123	WASHER, FLAT,BLACK ZINC,M8 X 16MM OD X 1.0MM THK	2	\$1.05	\$2.68	
A4	NUTNYLK1011	NUT,NYLOCK,BLACK ZINC,M8-1.25	2	\$1.05	\$2.68	
A5	BLTASHL1144	BOLT,SHOULDER,BLACK,M10 X 25MM,GRADE 12.9	1	\$1.05	\$2.68	
A6	DWR1505A005	BUSHING,FLANGE,NYLON,10.20MM ID X 12.83MM OD X 12.7MM TH X 19.1MM FOD X 3.18MM FTH,A-1505-005	4	\$1.05	\$2.68	
A7	BLTSEX1005	BOLT,SEX,M8-1.25 X 10MM OD X 30MM,FEMALE,HEX HEAD,B-1005-164	1	\$1.39	\$3.53	
A8	BLTASHL1108	BOLT,SHOULDER,10MM X 55MM,GRADE 12.9	1	\$1.05	\$2.68	
<b>B1 — E4</b>	<b>FRMASMB11986</b>	<b>STEM MOUNT,ASSY,10"W-14"W,SYNERGY SEAT,FOR R4000 BASE</b>	<b>1</b>	<b>\$93.38</b>	<b>\$238.12</b>	
<b>B1 — C3</b>	<b>FRMASMB10865</b>	<b>SEAT TOWER,ASSY,FRONT,10"W-14"W,UPPER,R4000,SYNERGY,E-1505-077</b>	<b>1</b>	<b>\$26.67</b>	<b>\$68.01</b>	
B1	DWR1360D019	HORIZONTAL STEM SUPPORT,10"W-16"W,14.322" CENTERS,SYNERGY SEAT,D-1360-019	1	\$11.09	\$28.28	
<b>C1 — C3</b>	<b>FRMASMB10867</b>	<b>SEAT TOWER,ASSY,TELESCOPING UPPER,SYNERGY,C-1505-095</b>	<b>1</b>	<b>\$15.12</b>	<b>\$38.56</b>	
C1	DWR1505C094	TELESCOPING SEAT TOWER WELDMENT,UPPER,SYNERGY,C-1505-094	1	N/A	N/A	
C2	DWR1360B075	SEAT TOWER,SPLIT COLLAR,BOTTOM,SYNERGY SEAT,VIBE,B-1360-075	1	N/A	N/A	
C3	SCRSHCS1123	SCREW,SHCS,BLACK ZINC,10-32 X 0.75",GRADE 8,W/NYLON PATCH	4	\$1.05	\$2.68	
<b>D1 — D6</b>	<b>FRMASMB10861</b>	<b>SEAT TOWER,ASSY,REAR,10"W-14"W,R4000,SYNERGY,D-1505-066</b>	<b>1</b>	<b>\$33.11</b>	<b>\$84.43</b>	
D1	DWR1360C124	VERTICAL STEM SUPPORT,3 HOLE,SYNERGY SEAT,VIBE,LEFT,C-1360-124	1	\$7.86	\$20.04	
D2	DWR1360C125	VERTICAL STEM SUPPORT,3 HOLE,SYNERGY SEAT,VIBE,RIGHT,C-1360-125	1	\$7.86	\$20.04	
D3	DWR1360D019	HORIZONTAL STEM SUPPORT,10"W-16"W,14.322" CENTERS,SYNERGY SEAT,D-1360-019	1	\$11.09	\$28.28	
D4	SCRSHFH1105	SCREW,SHFH,BLACK ZINC,5/16-18 X 1.00",GRADE 8	2	\$1.05	\$2.68	
D5	SCRSHCS1084	SCREW,SHCS,BLACK ZINC,M6-1.0 X 35MM,GRADE 12.9	2	\$1.05	\$2.68	
D6	NUTNYLK1019	NUT,NYLOCK,BLACK ZINC,M6-1.0	2	\$1.05	\$2.68	
<b>E1 — E4</b>	<b>FRMASMB4657</b>	<b>STEM MOUNT PLATE,ASSY,SYNERGY SEAT,B-1360-002</b>	<b>4</b>	<b>\$8.4</b>	<b>\$21.42</b>	
E1	DWR1360B009	MOUNTING BRACKET,STEM MOUNT PLATE,SYNERGY SEAT,B-1360-009	1	\$2.1	\$5.36	
E2	DWR1360B018	T-NUT,BLACK,5/16-18 X 2.25",W/1.75",HOLE SPACING,B-1360-018	1	\$3.15	\$8.03	
E3	SCRHHCS1246	SCREW,HHCS,BLACK ZINC,5/16-18 X 1.25",GRADE 8,W/NYLON PATCH,A-1360-015	2	\$1.05	\$2.68	
E4	DWR1600A052	SPACER,BLACK ZINC,STEEL,0.328" ID X 0.50" OD X 0.20" TH,A-1600-052	2	\$1.05	\$2.68	

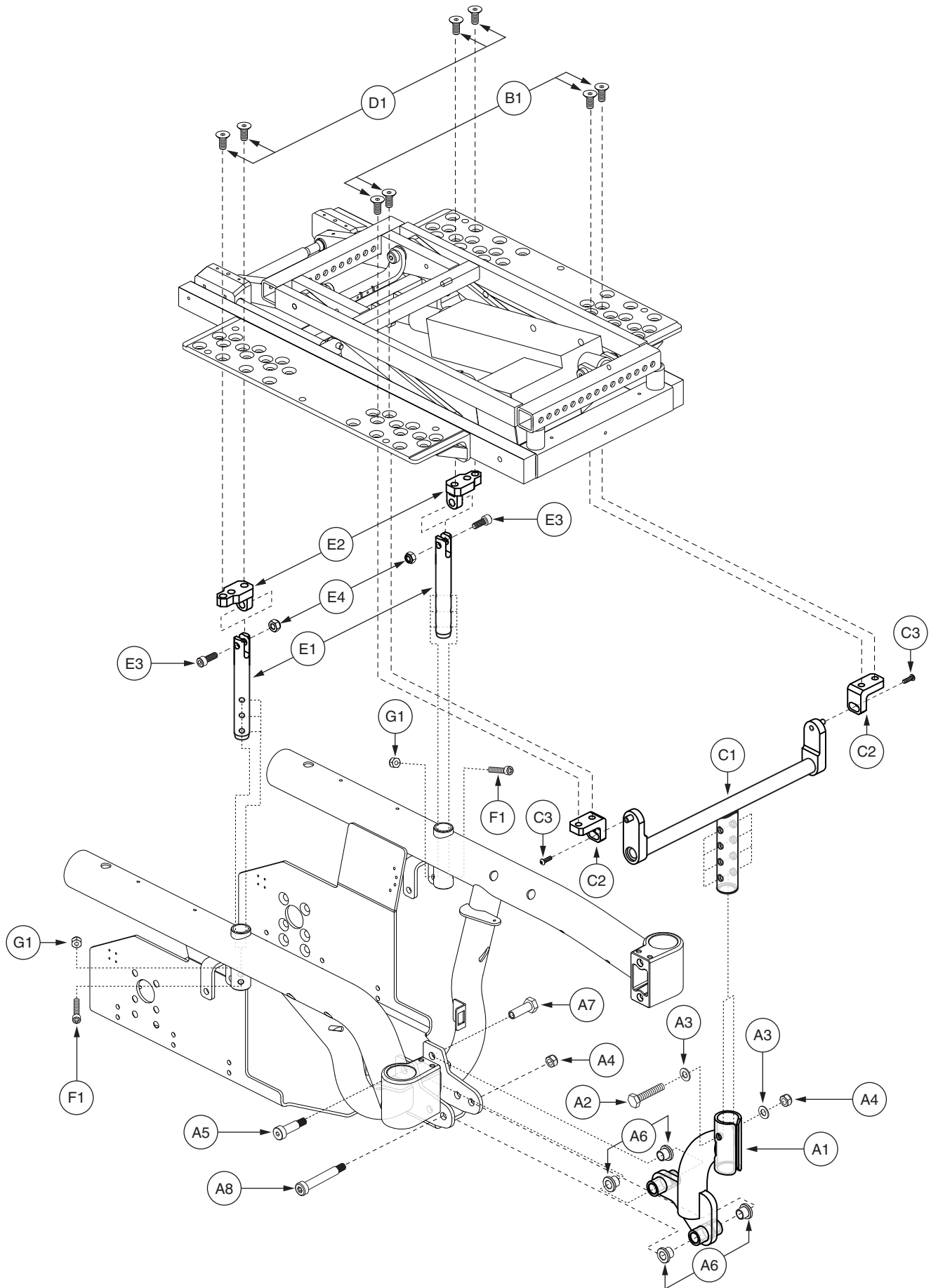


# X. Seat Tower Assembly — Synergy Seat, 14”-20”W

REF #	PART #	DESCRIPTION	QTY	Dealer \$	MSRP	11i
<b>A1 — A8</b>	<b>FRMASMB11128</b>	<b>SEAT TOWER,ASSY,FRONT,LOWER,R4000,D-1505-075</b>	<b>1</b>	<b>\$20.79</b>	<b>\$53.01</b>	
A1	DWR1505D057	TELESCOPING SEAT TOWER WELDMENT,LOWER,D-1505-057	1	\$15.75	\$40.16	
A2	SCRHHCS1220	SCREW,HHCS,BLACK ZINC,M8-1.25 X 45MM,GRADE 10.9	1	\$1.05	\$2.68	
A3	WASSTND1123	WASHER, FLAT,BLACK ZINC,M8 X 16MM OD X 1.0MM THK	2	\$1.05	\$2.68	
A4	NUTNYLK1011	NUT,NYLOCK,BLACK ZINC,M8-1.25	2	\$1.05	\$2.68	
A5	BLTASHL1144	BOLT,SHOULDER,BLACK,M10 X 25MM,GRADE 12.9	1	\$1.05	\$2.68	
A6	DWR1505A005	BUSHING,FLANGE,NYLON,10.20MM ID X 12.83MM OD X 12.7MM TH X 19.1MM FOD X 3.18MM FTH,A-1505-005	4	\$1.05	\$2.68	
A7	BLTSEX1005	BOLT,SEX,M8-1.25 X 10MM OD X 30MM,FEMALE,HEX HEAD,B-1005-164	1	\$1.39	\$3.53	
A8	BLTASHL1108	BOLT,SHOULDER,10MM X 55MM,GRADE 12.9	1	\$1.05	\$2.68	
<b>*B1 — E4</b>	<b>FRMASMB12185</b>	<b>STEM MOUNT,ASSY,14"W-18"W,14.322" CENTERS,SYNERGY SEAT,FOR R4000 BASE</b>	<b>1</b>	<b>\$107.49</b>	<b>\$274.1</b>	
<b>*B1 — E4</b>	<b>FRMASMB12186</b>	<b>STEM MOUNT,ASSY,16"W-20"W,14.322" CENTERS,SYNERGY SEAT,FOR R4000 BASE</b>	<b>1</b>	<b>\$107.49</b>	<b>\$274.1</b>	
<b>B1 — E4</b>	<b>FRMASMB11987</b>	<b>STEM MOUNT,ASSY,14"W-20"W,SYNERGY SEAT,FOR R4000 BASE</b>	<b>1</b>	<b>\$107.49</b>	<b>\$274.1</b>	
<b>B1 — C3</b>	<b>FRMASMB10866</b>	<b>SEAT TOWER,ASSY,FRONT,14"W-20"W,UPPER,R4000,SYNERGY,E-1505-076</b>	<b>1</b>	<b>\$28.77</b>	<b>\$73.36</b>	
B1	DWR1360D007	HORIZONTAL STEM SUPPORT,14"W-20"W,14.322" CENTERS,SYNERGY SEAT,D-1360-007	1	\$13.65	\$34.81	
<b>C1 — C3</b>	<b>FRMASMB10867</b>	<b>SEAT TOWER,ASSY,TELESCOPING UPPER,SYNERGY,C-1505-095</b>	<b>1</b>	<b>\$15.12</b>	<b>\$38.56</b>	
C1	DWR1505C094	TELESCOPING SEAT TOWER WELDMENT,UPPER,SYNERGY,C-1505-094	1	N/A	N/A	
C2	DWR1360B075	SEAT TOWER,SPLIT COLLAR,BOTTOM,SYNERGY SEAT,VIBE,B-1360-075	1	N/A	N/A	
C3	SCRSHCS1123	SCREW,SHCS,BLACK ZINC,10-32 X 0.75",GRADE 8,W/NYLON PATCH	4	\$1.05	\$2.68	
<b>D1 — D9</b>	<b>FRMASMB10862</b>	<b>SEAT TOWER,ASSY,REAR,14"W-20"W,R4000,SYNERGY,E-1505-075</b>	<b>1</b>	<b>\$45.12</b>	<b>\$115.06</b>	
D1	DWR1360C124	VERTICAL STEM SUPPORT,3 HOLE,SYNERGY SEAT,VIBE,LEFT,C-1360-124	1	\$7.86	\$20.04	
D2	DWR1360C125	VERTICAL STEM SUPPORT,3 HOLE,SYNERGY SEAT,VIBE,RIGHT,C-1360-125	1	\$7.86	\$20.04	
D3	DWR1360D007	HORIZONTAL STEM SUPPORT,14"W-20"W,14.322" CENTERS,SYNERGY SEAT,D-1360-007	1	\$13.65	\$34.81	
D4	SCRSHFH1105	SCREW,SHFH,BLACK ZINC,5/16-18 X 1.00",GRADE 8	2	\$1.05	\$2.68	
D5	SCRSHCS1084	SCREW,SHCS,BLACK ZINC,M6-1.0 X 35MM,GRADE 12.9	2	\$1.05	\$2.68	
D6	NUTNYLK1019	NUT,NYLOCK,BLACK ZINC,M6-1.0	2	\$1.05	\$2.68	
D7	DWR1360B021	SEAT PAN STAND-OFF,SYNERGY SEAT,B-1360-021	1	\$7.35	\$18.74	
D8	SCRASBH1101	SCREW,BHSCS,BLACK ZINC,10-32 X 1.75"	1	\$1.05	\$2.68	
D9	NUTNYLK1001	NUT,NYLOCK,BLACK ZINC,10-32	1	\$1.05	\$2.68	
<b>E1 — E4</b>	<b>FRMASMB4657</b>	<b>STEM MOUNT PLATE,ASSY,SYNERGY SEAT,B-1360-002</b>	<b>4</b>	<b>\$8.4</b>	<b>\$21.42</b>	
E1	DWR1360B009	MOUNTING BRACKET,STEM MOUNT PLATE,SYNERGY SEAT,B-1360-009	1	\$2.1	\$5.36	
E2	DWR1360B018	T-NUT,BLACK,5/16-18 X 2.25",W/1.75",HOLE SPACING,B-1360-018	1	\$3.15	\$8.03	
E3	SCRHHCS1246	SCREW,HHCS,BLACK ZINC,5/16-18 X 1.25",GRADE 8,W/NYLON PATCH,A-1360-015	2	\$1.05	\$2.68	
E4	DWR1600A052	SPACER,BLACK ZINC,STEEL,0.328" ID X 0.50" OD X 0.20" TH,A-1600-052	2	\$1.05	\$2.68	

**Notes :**

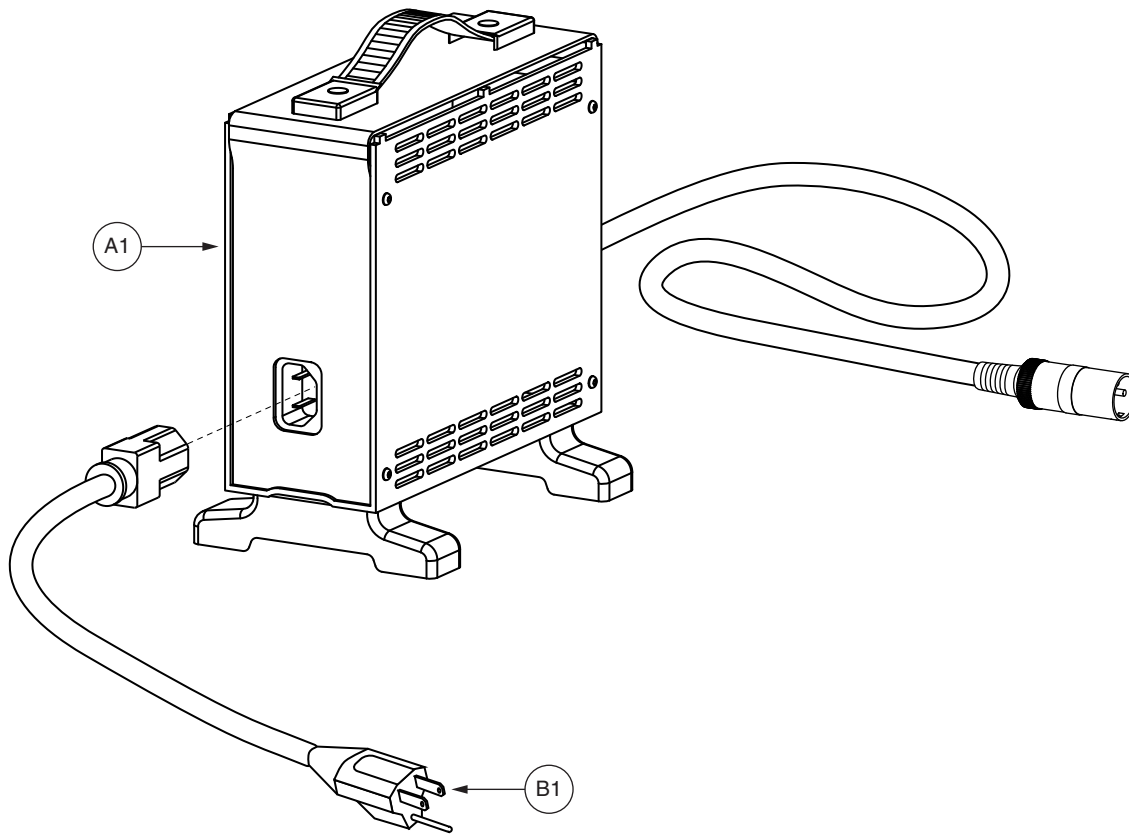
**\*B1 — E4** Both assemblies contain identical components. There are different FRMASMB numbers for assembly purposes.



# X. Seat Tower Assembly — TRU-Balance Tilt

REF #	PART #	DESCRIPTION	QTY	Dealer \$	MSRP	11i
<b>A1 — A8</b>	<b>FRMASMB11128</b>	<b>SEAT TOWER,ASSY,FRONT,LOWER,R4000,D-1505-075</b>	<b>1</b>	<b>\$20.79</b>	<b>\$53.01</b>	
A1	DWR1505D057	TELESCOPING SEAT TOWER WELDMENT,LOWER,D-1505-057	1	\$15.75	\$40.16	
A2	SCRHHCS1220	SCREW,HHCS,BLACK ZINC,M8-1.25 X 45MM,GRADE 10.9	1	\$1.05	\$2.68	
A3	WASSTND1123	WASHER,FLAT,BLACK ZINC,M8 X 16MM OD X 1.0MM THK	2	\$1.05	\$2.68	
A4	NUTNYLK1011	NUT,NYLOCK,BLACK ZINC,M8-1.25	2	\$1.05	\$2.68	
A5	BLTASHL1144	BOLT,SHOULDER,BLACK,M10 X 25MM,GRADE 12.9	1	\$1.05	\$2.68	
A6	DWR1505A005	BUSHING,FLANGE,NYLON,10.20MM ID X 12.83MM OD X 12.7MM TH X 19.1MM FOD X 3.18MM FTH,A-1505-005	4	\$1.05	\$2.68	
A7	BLTSEX1005	BOLT,SEX,M8-1.25 X 10MM OD X 30MM,FEMALE,HEX HEAD,B-1005-164	1	\$1.39	\$3.53	
A8	BLTASHL1108	BOLT,SHOULDER,10MM X 55MM,GRADE 12.9	1	\$1.05	\$2.68	
<b>B1 — E4</b>	<b>FRMASMB11988</b>	<b>SEAT TOWER,ASSY,ANGLE ADJUSTABLE,TRU-BALANCE 2 POWER TILT,R4000</b>	<b>1</b>	<b>\$97.61</b>	<b>\$248.91</b>	
<b>B1 — C3</b>	<b>FRMASMB11989</b>	<b>SEAT TOWER,ASSY,FRONT,UPPER,TRU-BALANCE 2 POWER TILT,R4000</b>	<b>1</b>	<b>\$24.36</b>	<b>\$62.12</b>	
B1	SCRSHFH1035	SCREW, SHFH,BLACK ZINC,5/16-18 X 0.75",GRADE 8,W/NYLON PATCH,A-1360-011	4	\$1.05	\$2.68	
<b>C1 — C3</b>	<b>FRMASMB11158</b>	<b>SEAT TOWER,ASSY,FRONT,UPPER,TILT,R4000,D-1505-076</b>	<b>1</b>	<b>\$20.16</b>	<b>\$51.41</b>	
C1	DWR1505E086	SEAT TOWER WELDMENT,SUPPORT TEE,R4000,TRU-BALANCE 2 POWER TILT,FRONT,E-1505-086	1	\$12.6	\$32.13	
C2	DWR1505C103	DUMP BRACKET,R4000,TRU-BALANCE 2 POWER TILT,FRONT,C-1505-103	2	\$2.45	\$6.25	
C3	SCRASBH1246	SCREW,BHSCS,BLACK ZINC,M5-.8 X 10MM,W/NYLON PATCH	2	\$1.05	\$2.68	
<b>D1 — E4</b>	<b>FRMASMB11990</b>	<b>SEAT TOWER,ASSY,REAR,ANGLE ADJUSTABLE,TRU-BALANCE 2 POWER TILT,R4000</b>	<b>2</b>	<b>\$24.1</b>	<b>\$61.46</b>	
D1	SCRSHFH1035	SCREW, SHFH,BLACK ZINC,5/16-18 X 0.75",GRADE 8,W/NYLON PATCH,A-1360-011	2	\$1.05	\$2.68	
<b>E1 — E4</b>	<b>FRMASMB12366</b>	<b>SEAT TOWER,ASSY,ANGLE ADJUSTABLE,TRU-BALANCE 2 POWER TILT,R4000,C-1505-113</b>	<b>1</b>	<b>\$25.05</b>	<b>\$63.88</b>	
E1	DWR1505C101	SEAT TOWER,ANGLE ADJUSTABLE,R4000,TRU-BALANCE 2 POWER TILT,C-1505-101	1	\$12.6	\$32.13	
E2	DWR1265C066	DUMP BRACKET,TRU-BALANCE POWER 2 TILT,REAR CASTING,C-1265-066	1	\$5.1	\$13.01	
E3	SCRSHCS1053	SCREW,SHCS,BLACK ZINC,5/16-18 X 1.25",GRADE 8	1	\$1.05	\$2.68	
E4	NUTNYLK1026	NUT,NYLOCK,BLACK ZINC,5/16-18	1	\$1.8	\$3	
F1	SCRSHCS1084	SCREW,SHCS,BLACK ZINC,M6-1.0 X 35MM,GRADE 12.9	2	\$1.05	\$2.68	
G1	NUTNYLK1019	NUT,NYLOCK,BLACK ZINC,M6-1.0	2	\$1.05	\$2.68	





REF #	PART #	DESCRIPTION	QTY	Dealer \$	MSRP	11i
*A1	ELEASMB5669	CHARGER,ASSY,OFFBOARD,LOW INHIBIT,110V-230V,8AMP,W/UNITED STATES POWERCORD,(CTE: CK84207000)	1	\$118.44	\$302.02	
B1	HARUSHD1065	ELECTRONIC,HARNESS, POWER CORD,IEC - USA	1	\$3.15	\$8.03	

**Notes :**

The CTE charger replaces the Lester charger.

\*A1 Please note that this Charger Assembly will include the power cord, HARUSHD1065.

## XII. Owner's Package

REF #	PART #	DESCRIPTION	QTY	Dealer \$	MSRP	11i
*N/A	INDASMB1821	OWNER'S PACKAGE,ASSY,QUANTUM R4000,DOMESTIC	1	N/A	N/A	
*N/A	INFMANU3576	MANUAL,OWNER'S,QUANTUM R4000	1	\$5.25	\$13.39	
*N/A	INFINFB1137	MANUAL,OWNER'S,WARRANTY CARD,ENGLISH	1	N/A	N/A	
*N/A	PROZBAG1003	BAG,10"L X 12"W X 2MM,ZIPLOCK	1	\$1	\$3	
*N/A	DWR1020L013	HANG TAG,ROUND,"MADE IN CHINA", DISTRIBUTED GLOBALLY,L-1020-013	1	\$1.05	\$2.68	
*N/A	DWR1234L439	HANG TAG,ICON,EMI-RFI,20V/M,GENERIC,L-1234-439	1	\$1.05	\$2.68	
*N/A	DWR1234L160	HANG TAG,LIFT WARNING,MADE IN CHINA,L-1234-160	1	\$1.05	\$2.68	
*N/A	PLSTIE1014	CABLE TIE,BLACK,NYLON,16"L	6	\$1.05	\$2.68	
*N/A	DWR1020L003	HANG TAG,FULLY RECHARGE BATTERY BEFORE INITIAL USE,6-1/4" X 3-3/8",L-1020-003	1	\$1.05	\$2.68	
*N/A	INFINFB1841	MANUAL,INSTALLATION INSTRUCTIONS,CONTROLLER CABLE ROUTING,CONTOURED SEAT	1	\$1.05	\$2.68	

**Notes :**

\*N/A Not applicable.

REF #	PART #	DESCRIPTION	QTY	Dealer \$	MSRP	11i
*N/A	DECASMB2036	DECAL,ASSY,QUANTUM R4000,DOMESTIC	1	\$3.5	\$8.93	
*N/A	DECSERN1032	DECAL,SERIAL NUMBER,4" X 6",BARCODE,W/PRIDE LOGO	1	N/A	N/A	
*N/A	DWR1010L006	DECAL,"R" POWERCHAIR MOTOR HOOK-UP	1	\$1.05	\$2.68	
*N/A	DWR1010L007	DECAL,"L" POWERCHAIR MOTOR HOOK-UP	1	\$1.05	\$2.68	
*N/A	DWR1050L003	DECAL,POWERCHAIR,US AND FOREIGN PATENTS PENDING,MFG IN CHINA	1	\$3	\$7	
*N/A	DWR1234L008	DECAL,ICON,EXTENSION CORD/GROUNDING PRONG,L-1234-008	1	\$1.05	\$2.68	
*N/A	DWR1234L799	DECAL,ICON,1" X 2.5",WEATHER/MANUAL/LOOSE GARMENT,L-1234-799	1	\$1.05	\$2.68	
*N/A	DWR1234L624	DECAL,ICON,WARNING,CONTROLLER CORD PLACEMENT,ENGLISH,L-1234-624	1	\$1.05	\$2.68	
*N/A	DWR1234L957	DECAL,WARNING,DEFLATE TIRE COMPLETELY,L-1234-957	2	\$1.05	\$2.68	
*N/A	DWR1234L091	DECAL,ICON,JAZZY FREEWHEEL,UP-DRIVE/DOWN-NEUTRAL,L-1234-091	2	\$1.05	\$2.68	
*N/A	DECINDV1041	DECAL,CE,ROUND,5/8",WHITE/BLACK,L-1234-190	1	\$1.05	\$2.68	
*N/A	DECINDV1236	DECAL,1 3/4"L X 1/2"H,ELECTRICAL APPROVAL,C-TICK DECAL,SILVER,L-1234-569	1	\$1.05	\$2.68	
*N/A	DWR1234L002	DECAL,ICON,20V/M,EMI-RFI,L-1234-002	1	\$1.05	\$2.68	
*N/A	DWR1234L003	DECAL,ICON,DO NOT ADJUST ANTI-TIP,1.50" DIAMETER,L-1234-003	2	\$1.05	\$2.68	
*N/A	DWR1234L004	DECAL,ICON,300LBS/135 KG,MAXIMUM WEIGHT CAPACITY,L-1234-004	1	\$1.05	\$2.68	
*N/A	DWR1234L007	DECAL,ICON,DO NOT STAND/NOT A STEP,L-1234-007	1	\$1.05	\$2.68	
*N/A	DWR1234L012	DECAL,ICON,1.5",READ OWNERS MANUAL,L-1234-012	1	\$1.05	\$2.68	
*N/A	DWR1234L059	DECAL,ICON,DO NOT ADJUST SUSPENSION,L-1234-059	2	\$1.05	\$2.68	
*N/A	DWR1235L061	DECAL,BATTERY WARNINGS,L-1235-061	1	\$1.05	\$2.68	
*N/A	DWR1235L086	DECAL,NAME,QUANTUM R4000,SIDE,L-1235-086	2	\$2.27	\$5.78	
*N/A	DWR1235L115	DECAL,BATTERY CONNECTION,R4000,L-1235-115	1	\$3.53	\$9	
*N/A	DWR1506L002	DECAL,QUANTUM,L-1506-002	1	\$1.05	\$2.68	

**Notes :**

\*N/A Not applicable.

### XIII. Decal Package — Quantum R4000, Glide Motors

REF #	PART #	DESCRIPTION	QTY	Dealer \$	MSRP	11i
*N/A	DECASMB2037	DECAL,ASSY,QUANTUM R4000,DOMESTIC,GLIDE MOTORS	1	\$4.41	\$11.25	
*N/A	DECSERN1032	DECAL,SERIAL NUMBER,4" X 6",BARCODE,W/PRIDE LOGO	1	N/A	N/A	
*N/A	DWR1010L006	DECAL,"R" POWERCHAIR MOTOR HOOK-UP	1	\$1.05	\$2.68	
*N/A	DWR1010L007	DECAL,"L" POWERCHAIR MOTOR HOOK-UP	1	\$1.05	\$2.68	
*N/A	DWR1050L003	DECAL,POWERCHAIR,US AND FOREIGN PATENTS PENDING,MFG IN CHINA	1	\$3	\$7	
*N/A	DWR1234L008	DECAL,ICON,EXTENSION CORD/GROUNDING PRONG,L-1234-008	1	\$1.05	\$2.68	
*N/A	DWR1234L799	DECAL,ICON,1" X 2.5",WEATHER/MANUAL/LOOSE GARMENT,L-1234-799	1	\$1.05	\$2.68	
*N/A	DWR1234L624	DECAL,ICON,WARNING,CONTROLLER CORD PLACEMENT,ENGLISH,L-1234-624	1	\$1.05	\$2.68	
*N/A	DWR1234L957	DECAL,WARNING,DEFLATE TIRE COMPLETELY,L-1234-957	2	\$1.05	\$2.68	
*N/A	DWR1234L091	DECAL,ICON,JAZZY FREEWHEEL,UP-DRIVE/DOWN-NEUTRAL,L-1234-091	2	\$1.05	\$2.68	
*N/A	DECINDV1041	DECAL,CE,ROUND,5/8",WHITE/BLACK,L-1234-190	1	\$1.05	\$2.68	
*N/A	DECINDV1236	DECAL,1 3/4"L X 1/2"H,ELECTRICAL APPROVAL,C-TICK DECAL,SILVER,L-1234-569	1	\$1.05	\$2.68	
*N/A	DWR1234L002	DECAL,ICON,20V/M,EMI-RFI,L-1234-002	1	\$1.05	\$2.68	
*N/A	DWR1234L003	DECAL,ICON,DO NOT ADJUST ANTI-TIP,1.50" DIAMETER,L-1234-003	2	\$1.05	\$2.68	
*N/A	DWR1234L004	DECAL,ICON,300LBS/135 KG,MAXIMUM WEIGHT CAPACITY,L-1234-004	1	\$1.05	\$2.68	
*N/A	DWR1234L007	DECAL,ICON,DO NOT STAND/NOT A STEP,L-1234-007	1	\$1.05	\$2.68	
*N/A	DWR1234L012	DECAL,ICON,1.5",READ OWNERS MANUAL,L-1234-012	1	\$1.05	\$2.68	
*N/A	DWR1234L059	DECAL,ICON,DO NOT ADJUST SUSPENSION,L-1234-059	2	\$1.05	\$2.68	
*N/A	DWR1235L061	DECAL,BATTERY WARNINGS,L-1235-061	1	\$1.05	\$2.68	
*N/A	DWR1235L086	DECAL,NAME,QUANTUM R4000,SIDE,L-1235-086	2	\$2.27	\$5.78	
*N/A	DWR1235L115	DECAL,BATTERY CONNECTION,R4000,L-1235-115	1	\$3.53	\$9	
*N/A	DWR1506L002	DECAL,QUANTUM,L-1506-002	1	\$1.05	\$2.68	

**Notes :**

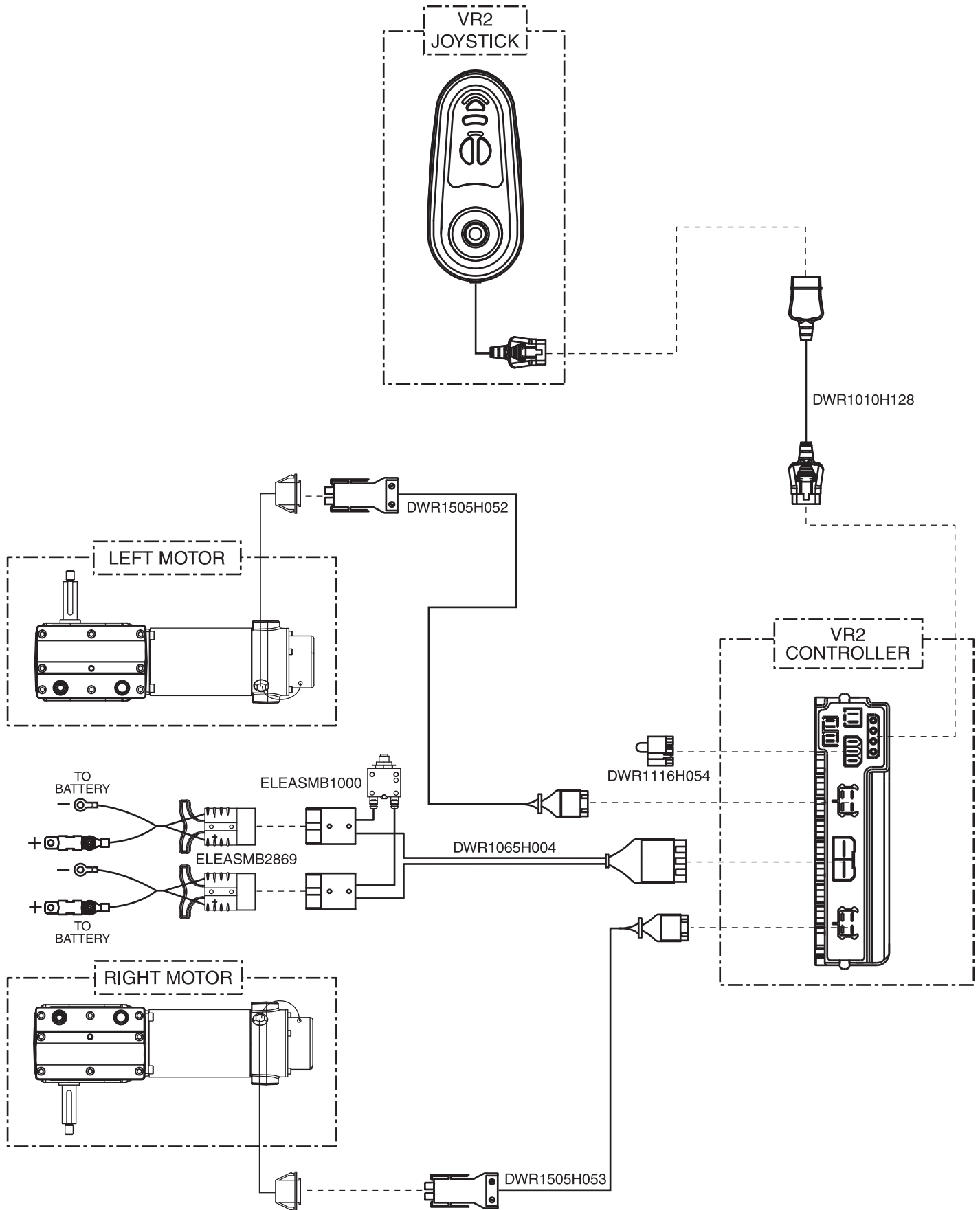
\*N/A Not applicable.

REF #	PART #	DESCRIPTION	QTY	Dealer \$	MSRP	11i
*N/A	DECASMB2141	DECAL,ASSY,QUANTUM R4400,DOMESTIC	1	N/A	N/A	
*N/A	DECSERN1032	DECAL,SERIAL NUMBER,4" X 6",BARCODE,W/PRIDE LOGO	1	N/A	N/A	
*N/A	DWR1010L006	DECAL,"R" POWERCHAIR MOTOR HOOK-UP	1	\$1.05	\$2.68	
*N/A	DWR1010L007	DECAL,"L" POWERCHAIR MOTOR HOOK-UP	1	\$1.05	\$2.68	
*N/A	DWR1050L003	DECAL,POWERCHAIR,US AND FOREIGN PATENTS PENDING,MFG IN CHINA	1	\$3	\$7	
*N/A	DWR1234L008	DECAL,ICON,EXTENSION CORD/GROUNDING PRONG,L-1234-008	1	\$1.05	\$2.68	
*N/A	DWR1234L624	DECAL,ICON,WARNING,CONTROLLER CORD PLACEMENT,ENGLISH,L-1234-624	1	\$1.05	\$2.68	
*N/A	DWR1234L957	DECAL,WARNING,DEFLATE TIRE COMPLETELY,L-1234-957	2	\$1.05	\$2.68	
*N/A	DWR1234L091	DECAL,ICON,JAZZY FREEWHEEL,UP-DRIVE/DOWN-NEUTRAL,L-1234-091	2	\$1.05	\$2.68	
*N/A	DWR1234L799	DECAL,ICON,1" X 2.5",WEATHER/MANUAL/LOOSE GARMENT,L-1234-799	1	\$1.05	\$2.68	
*N/A	DWR1235L343	DECAL,NAME,QUANTUM R4400,SIDE,L-1235-343	2	N/A	N/A	
*N/A	DECINDV1041	DECAL,CE,ROUND,5/8",WHITE/BLACK,L-1234-190	1	\$1.05	\$2.68	
*N/A	DECINDV1236	DECAL,1 3/4"L X 1/2"H,ELECTRICAL APPROVAL,C-TICK DECAL,SILVER,L-1234-569	1	\$1.05	\$2.68	
*N/A	DWR1234L002	DECAL,ICON,20V/M,EMI-RFI,L-1234-002	1	\$1.05	\$2.68	
*N/A	DWR1234L003	DECAL,ICON,DO NOT ADJUST ANTI-TIP,1.50" DIAMETER,L-1234-003	2	\$1.05	\$2.68	
*N/A	DWR1234L004	DECAL,ICON,300LBS/135 KG,MAXIMUM WEIGHT CAPACITY,L-1234-004	1	\$1.05	\$2.68	
*N/A	DWR1234L007	DECAL,ICON,DO NOT STAND/NOT A STEP,L-1234-007	1	\$1.05	\$2.68	
*N/A	DWR1234L012	DECAL,ICON,1.5",READ OWNERS MANUAL,L-1234-012	1	\$1.05	\$2.68	
*N/A	DWR1234L059	DECAL,ICON,DO NOT ADJUST SUSPENSION,L-1234-059	2	\$1.05	\$2.68	
*N/A	DWR1235L061	DECAL,BATTERY WARNINGS,L-1235-061	1	\$1.05	\$2.68	
*N/A	DWR1235L115	DECAL,BATTERY CONNECTION,R4000,L-1235-115	1	\$3.53	\$9	
*N/A	DWR1506L002	DECAL,QUANTUM,L-1506-002	1	\$1.05	\$2.68	

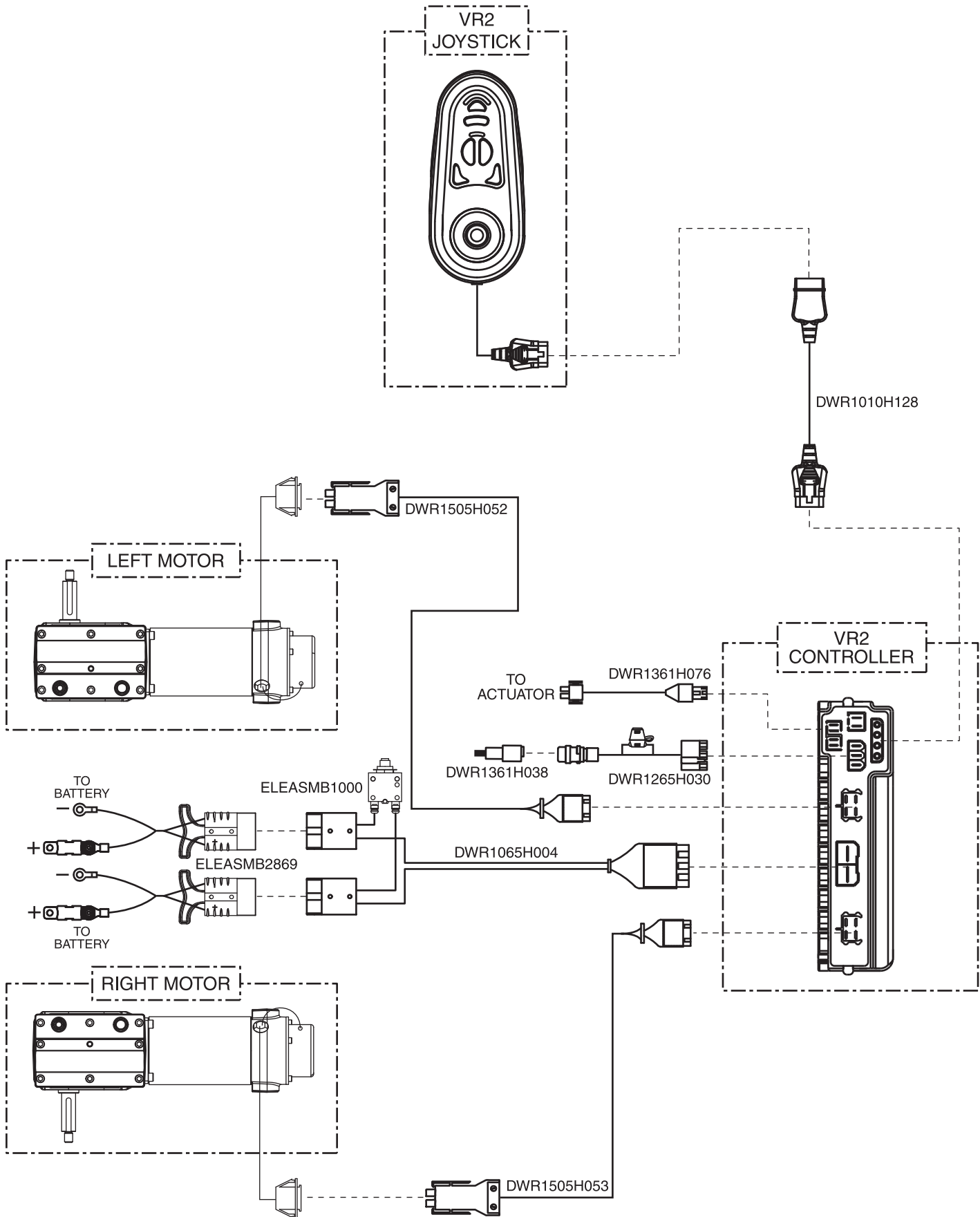
**Notes :**

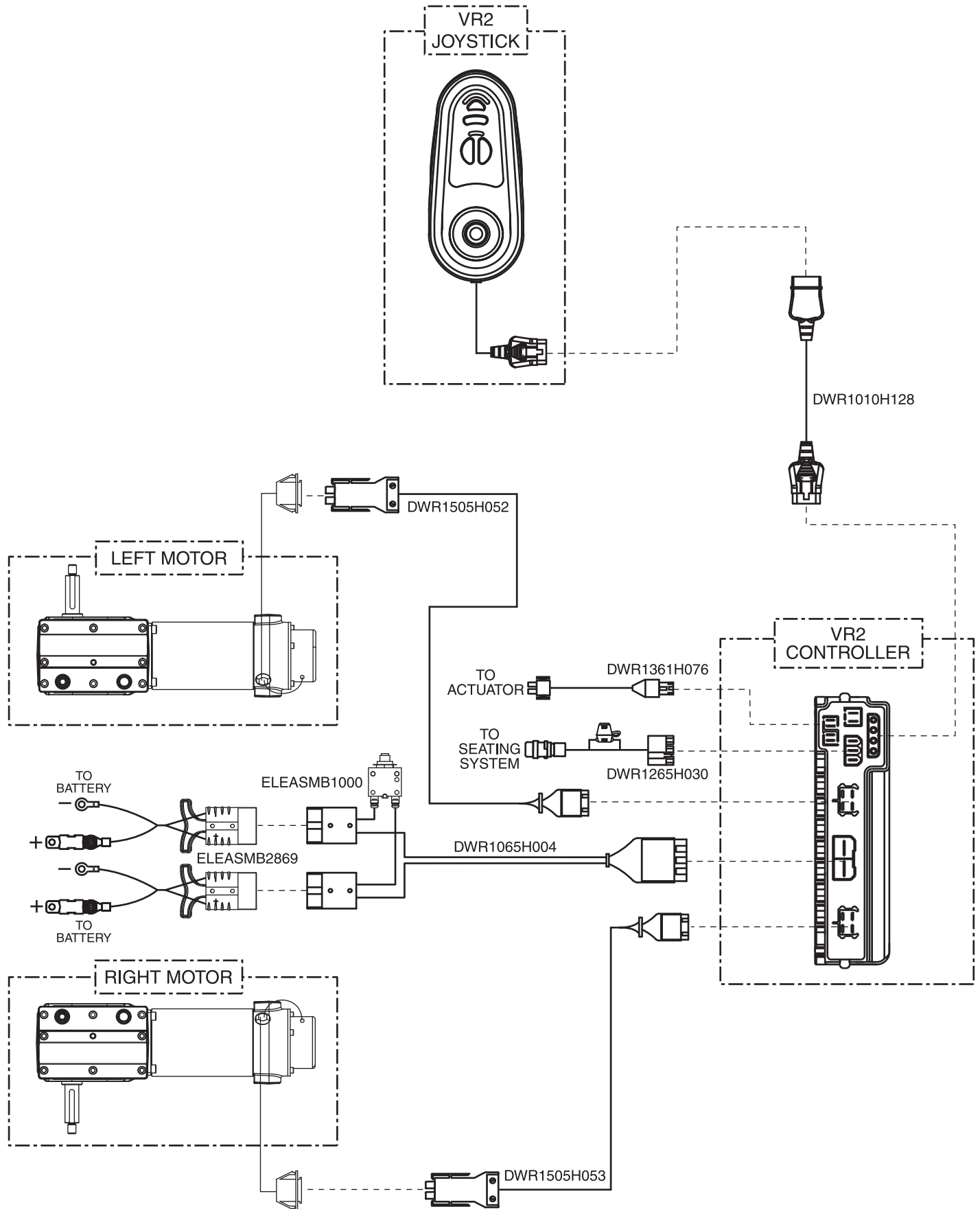
\*N/A Not applicable.

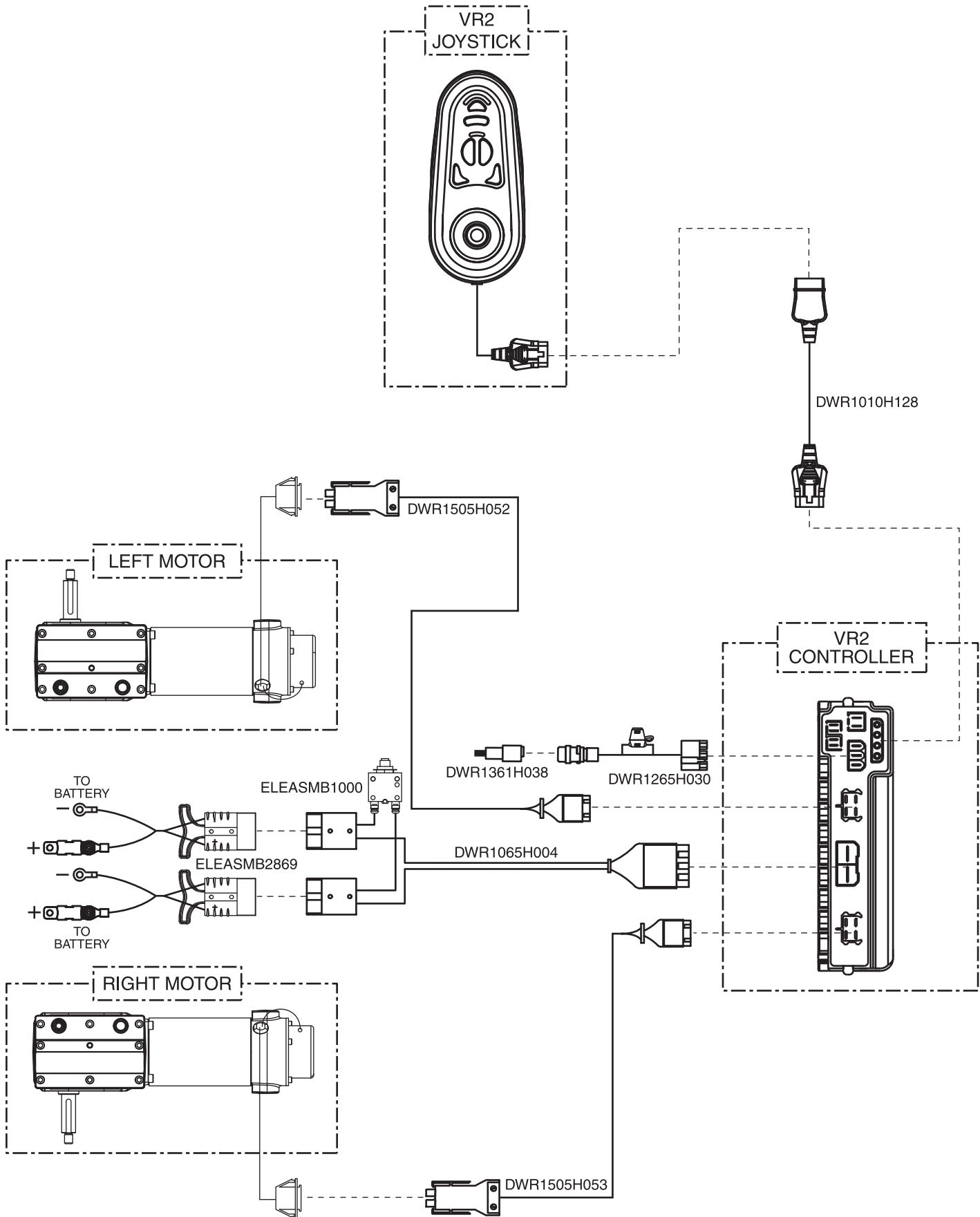
# A. Electrical System Diagram — 70-amp VR2, Glide Motors



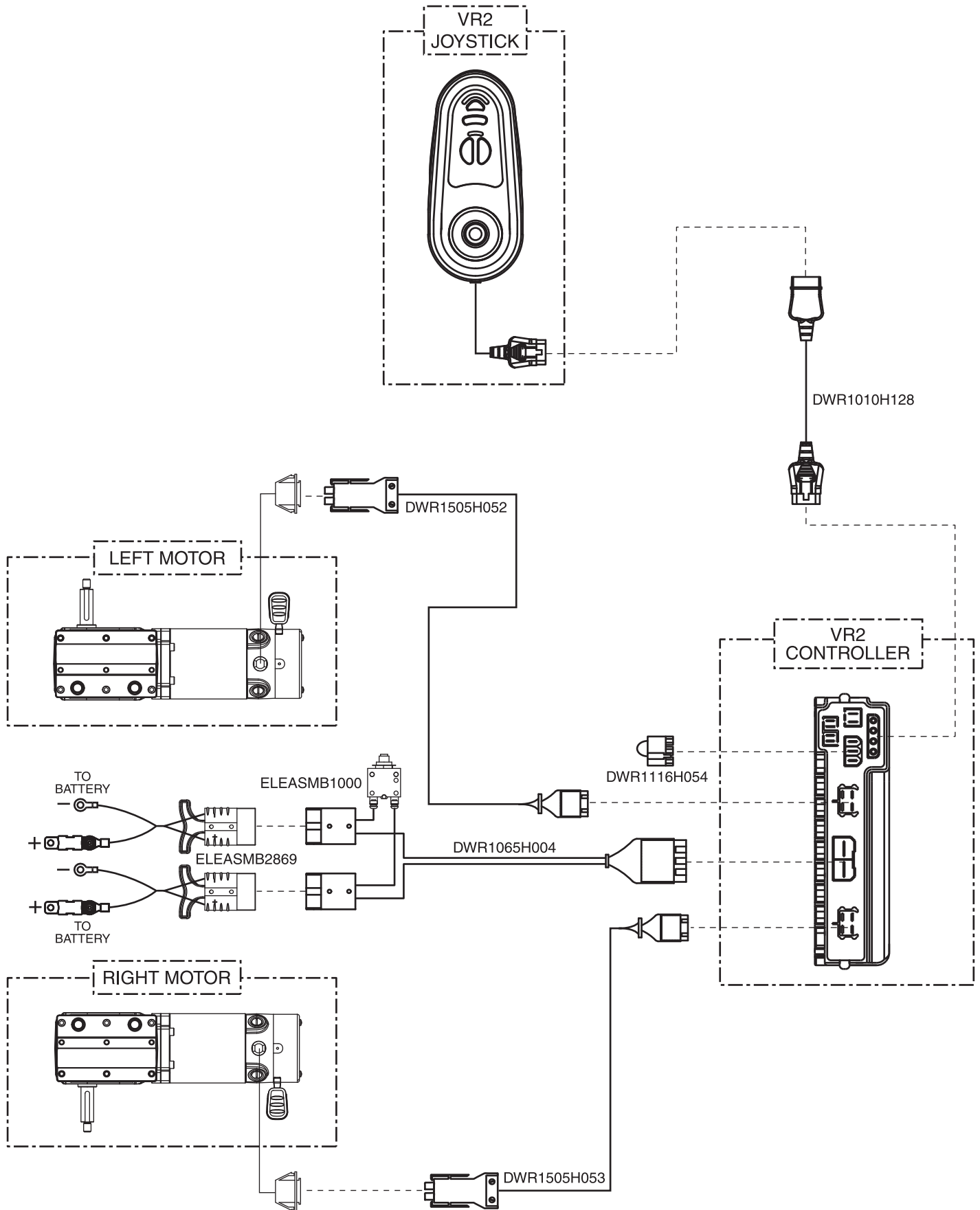


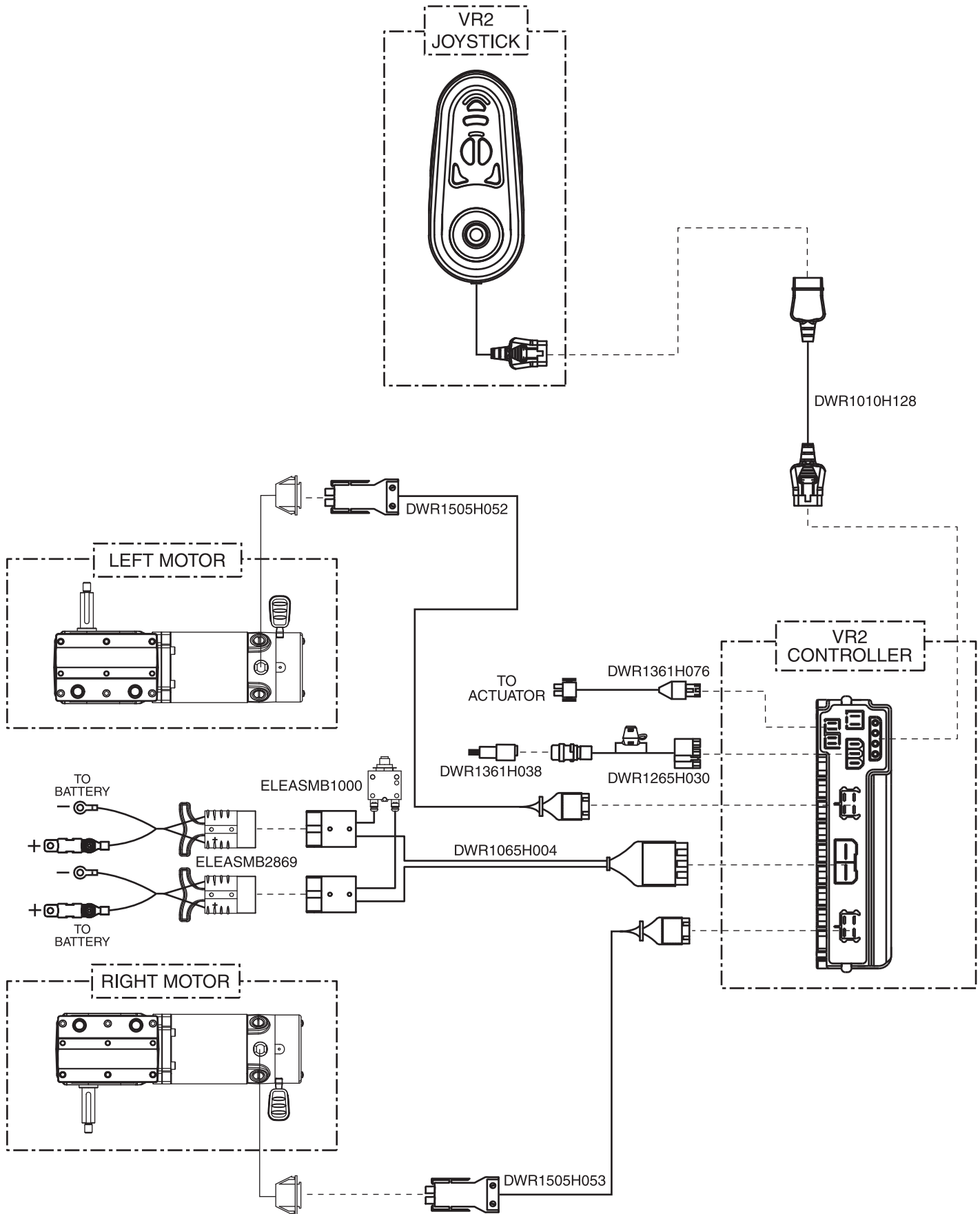


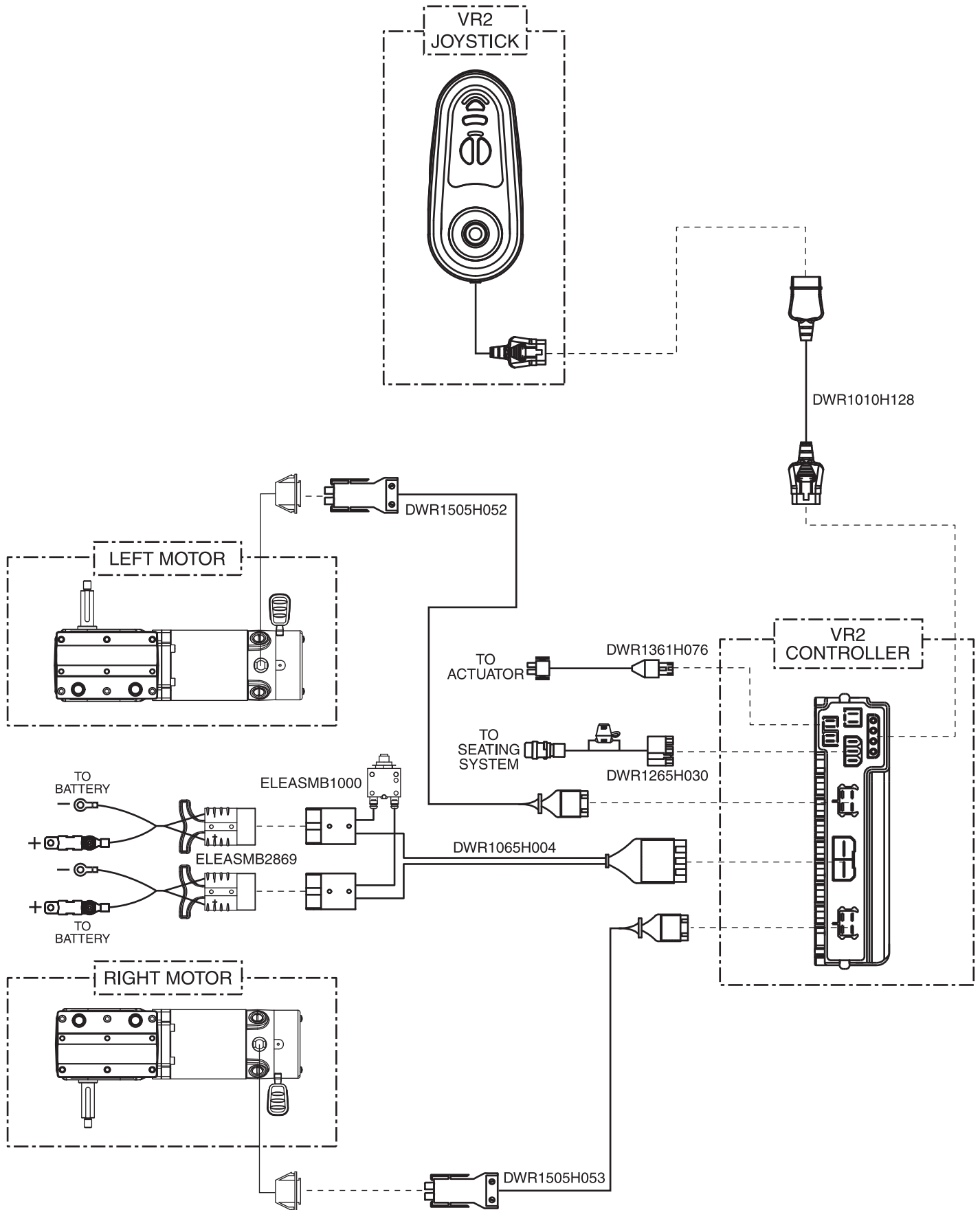


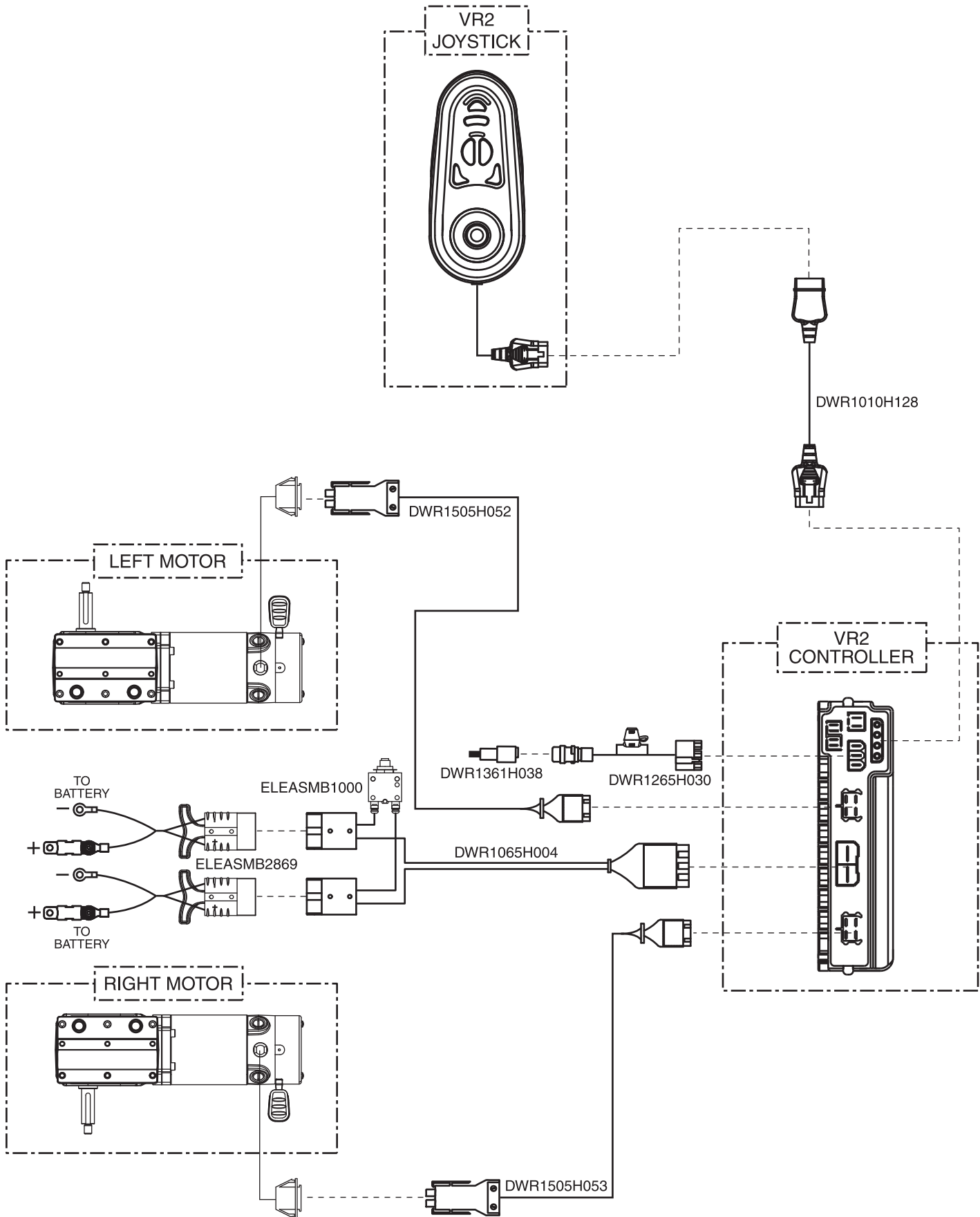


# A. Electrical System Diagram — 70-amp VR2, H2 Motors



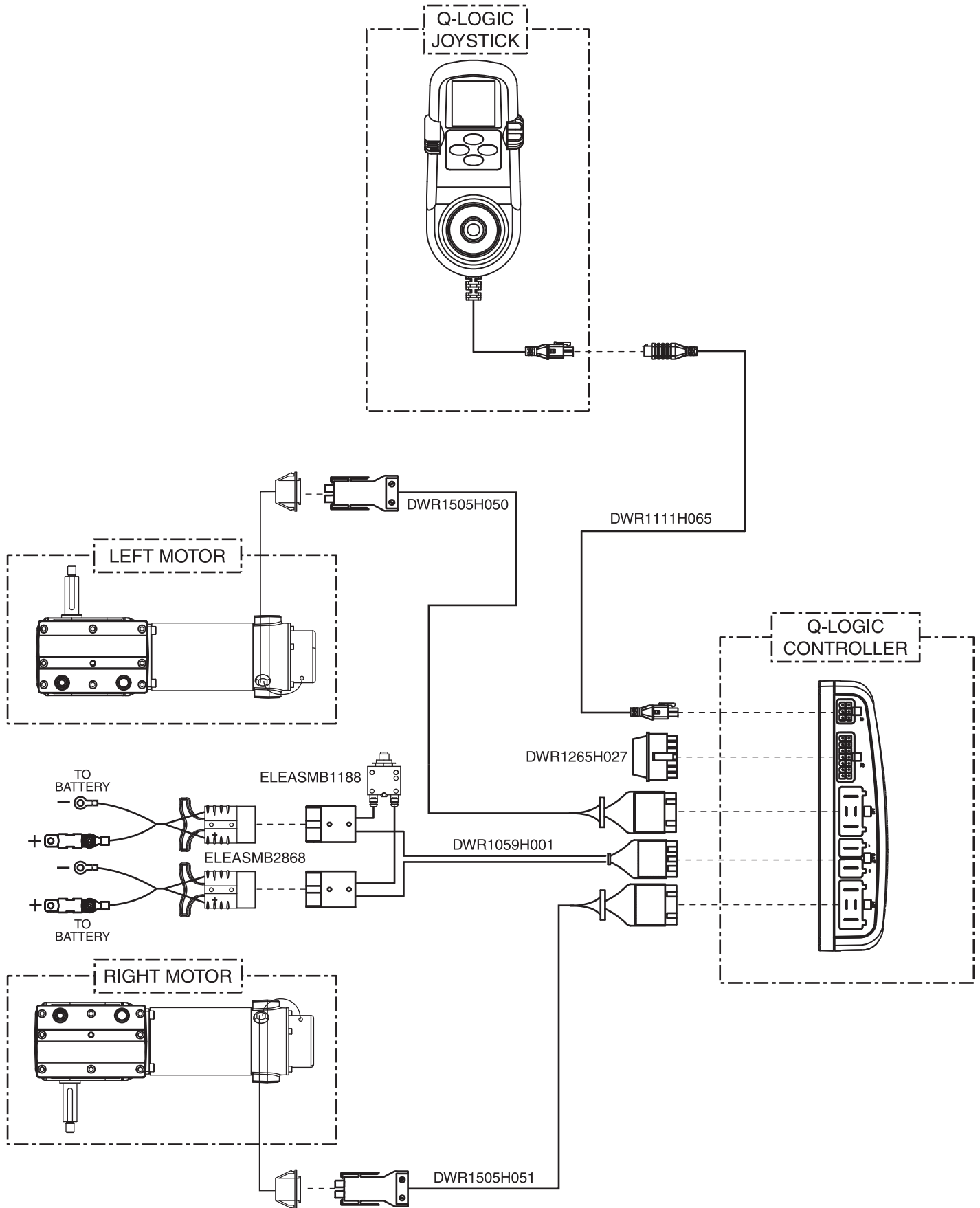


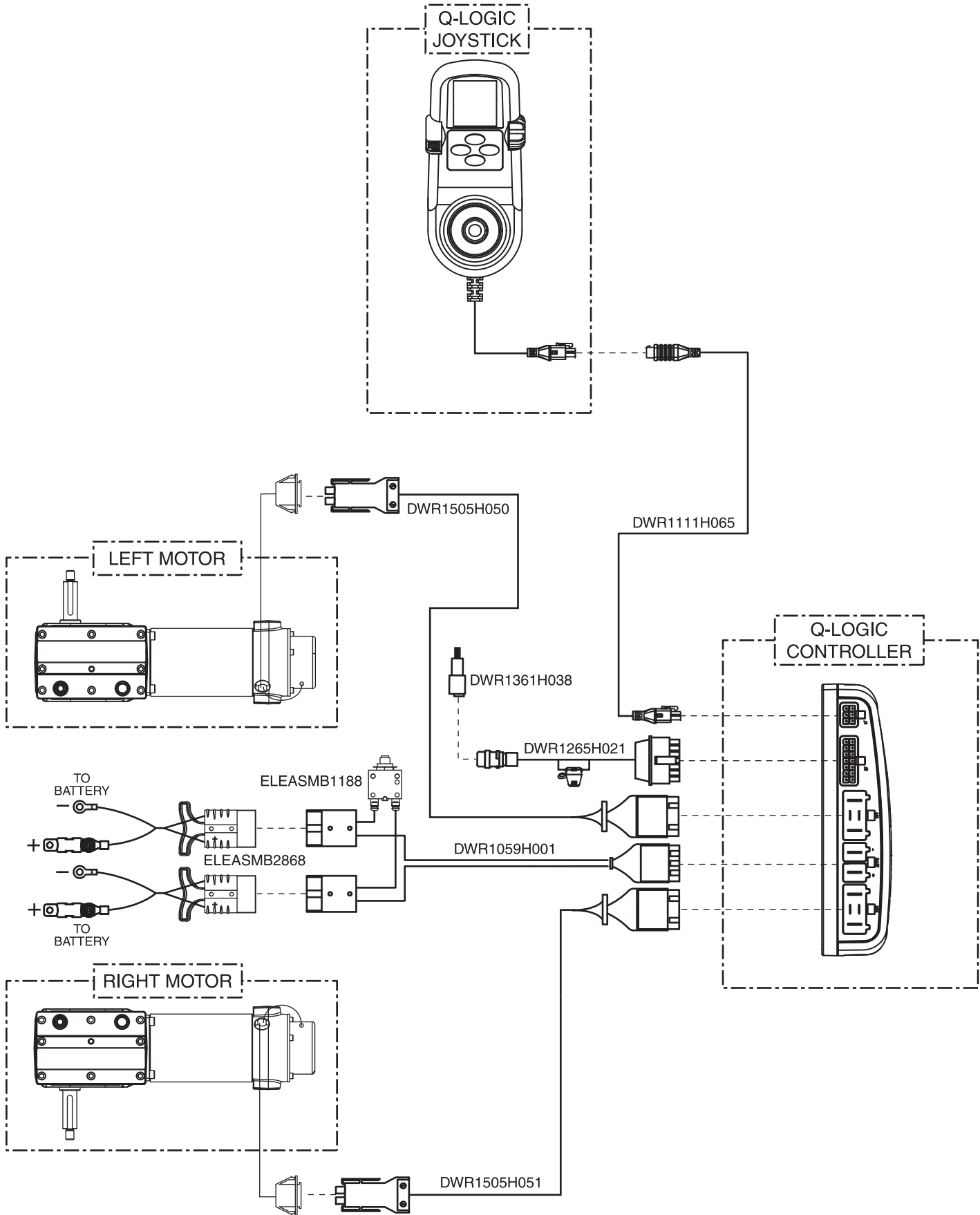


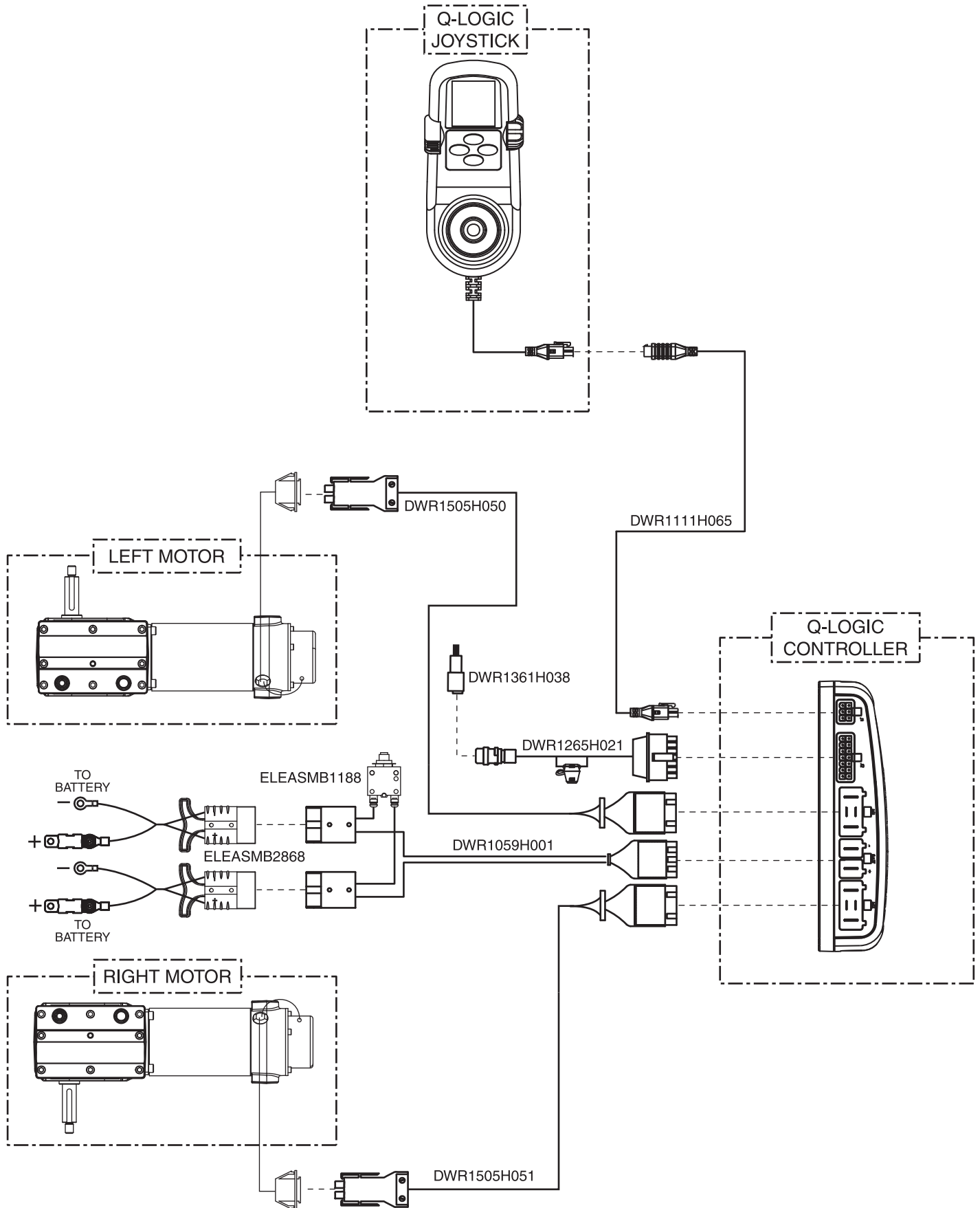


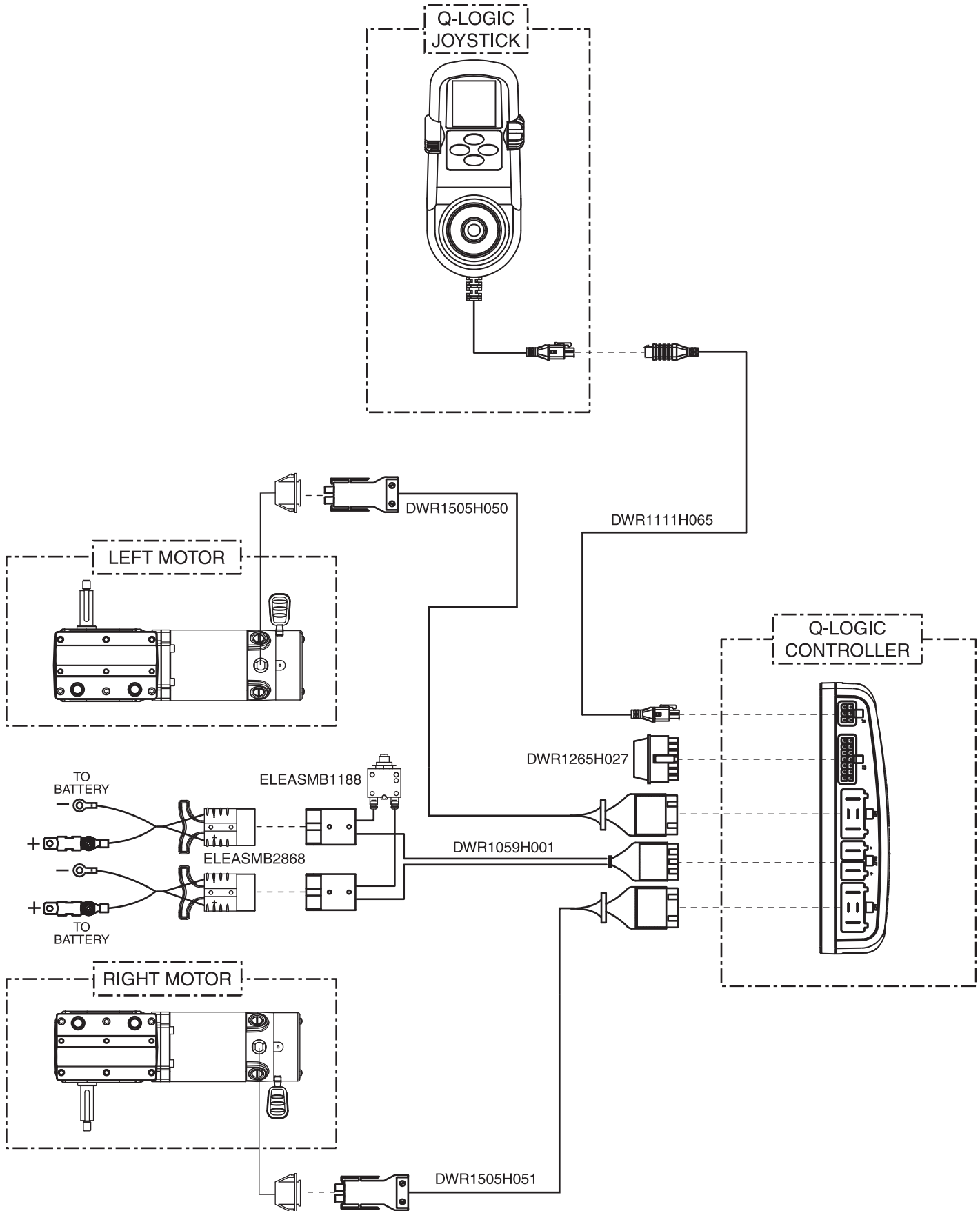


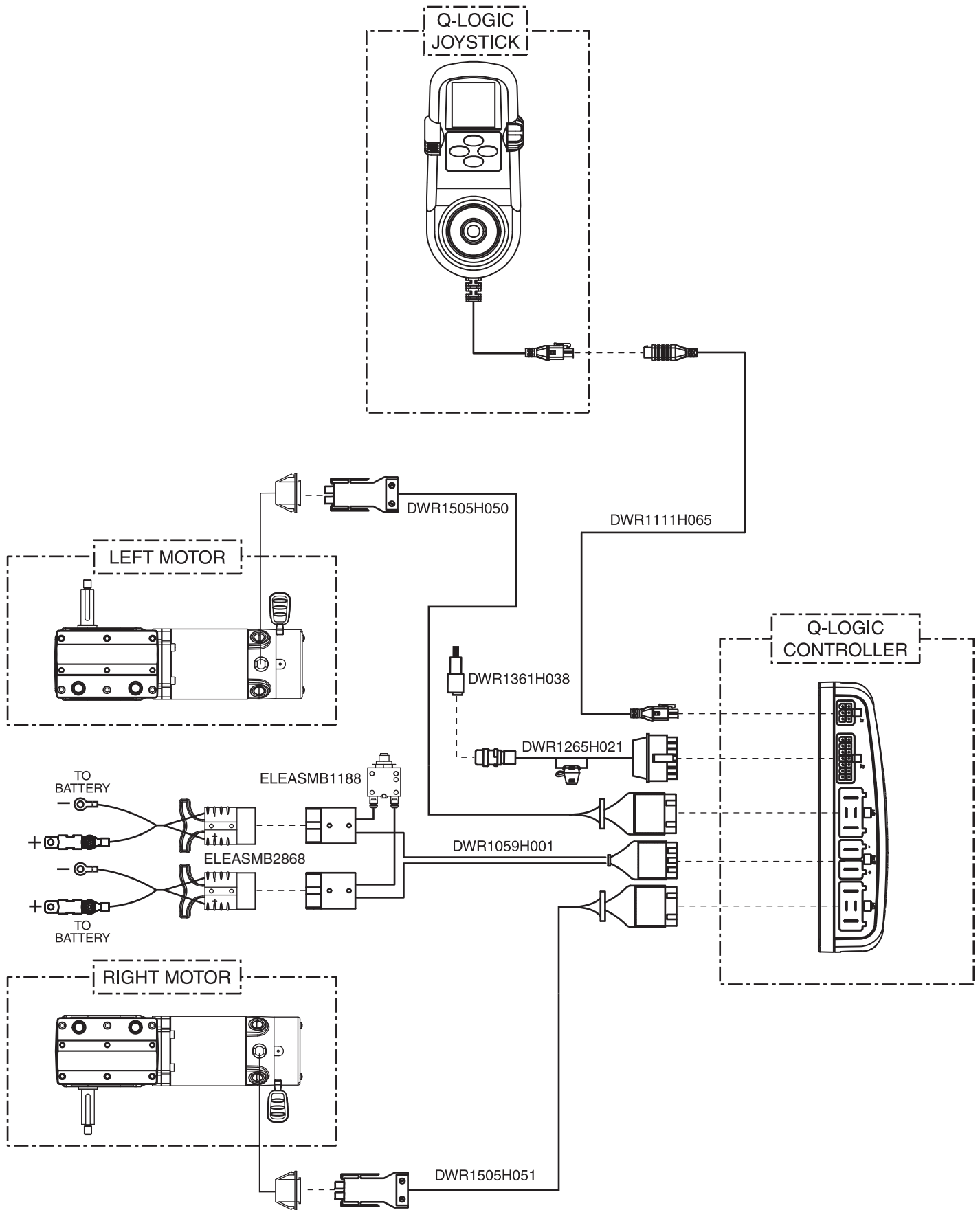
# A. Electrical System Diagram — 70-amp Q-Logic, Glide Motors

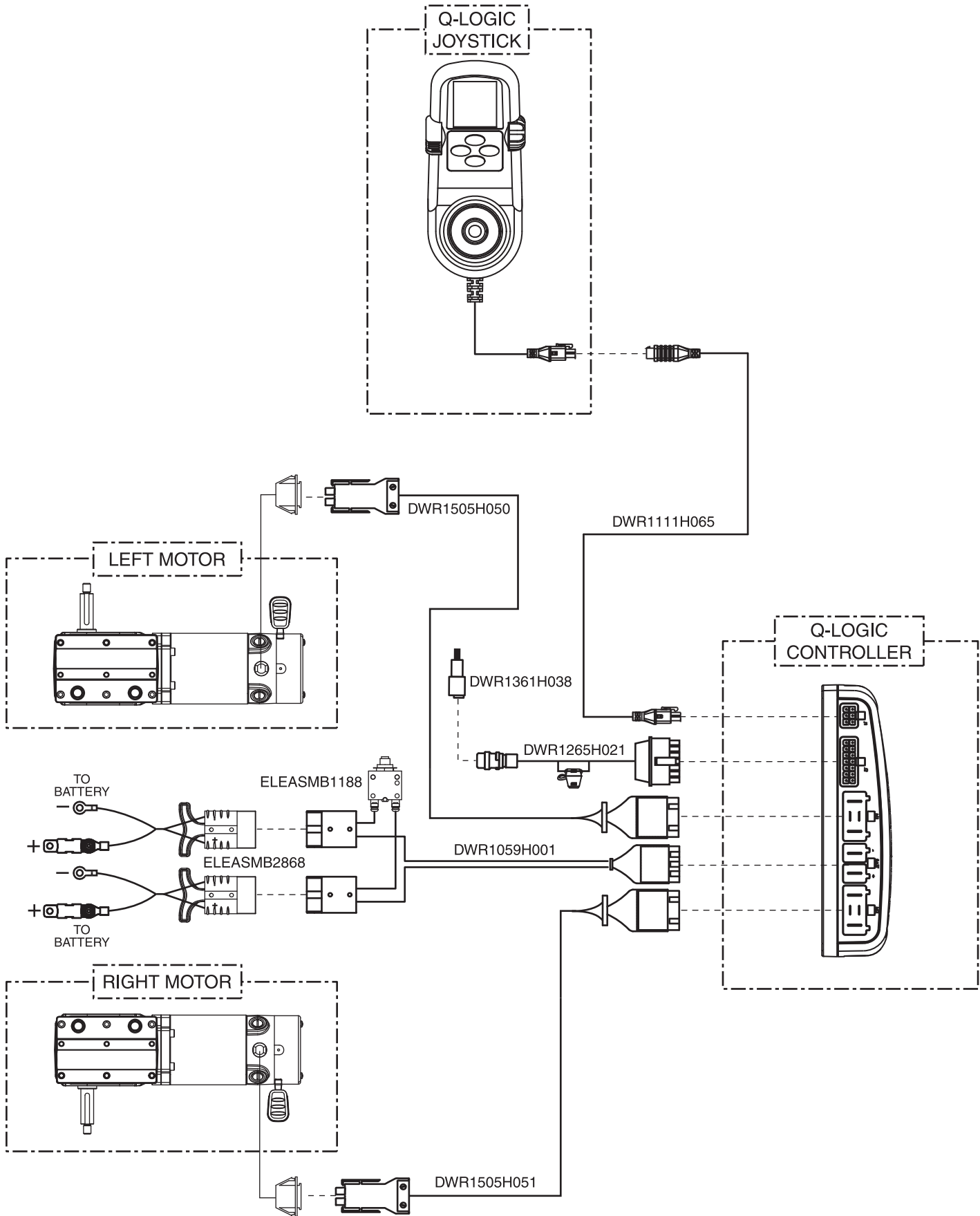


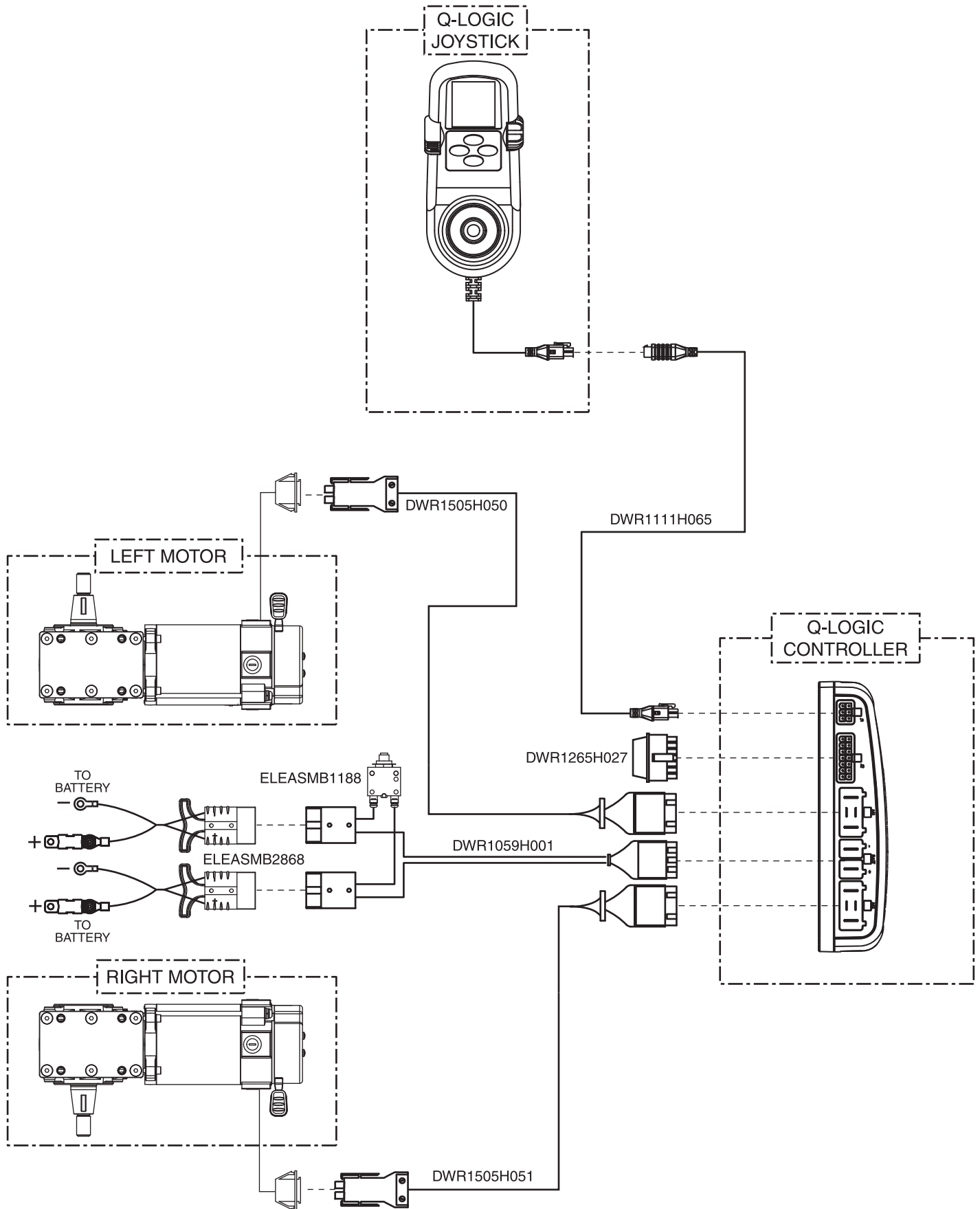




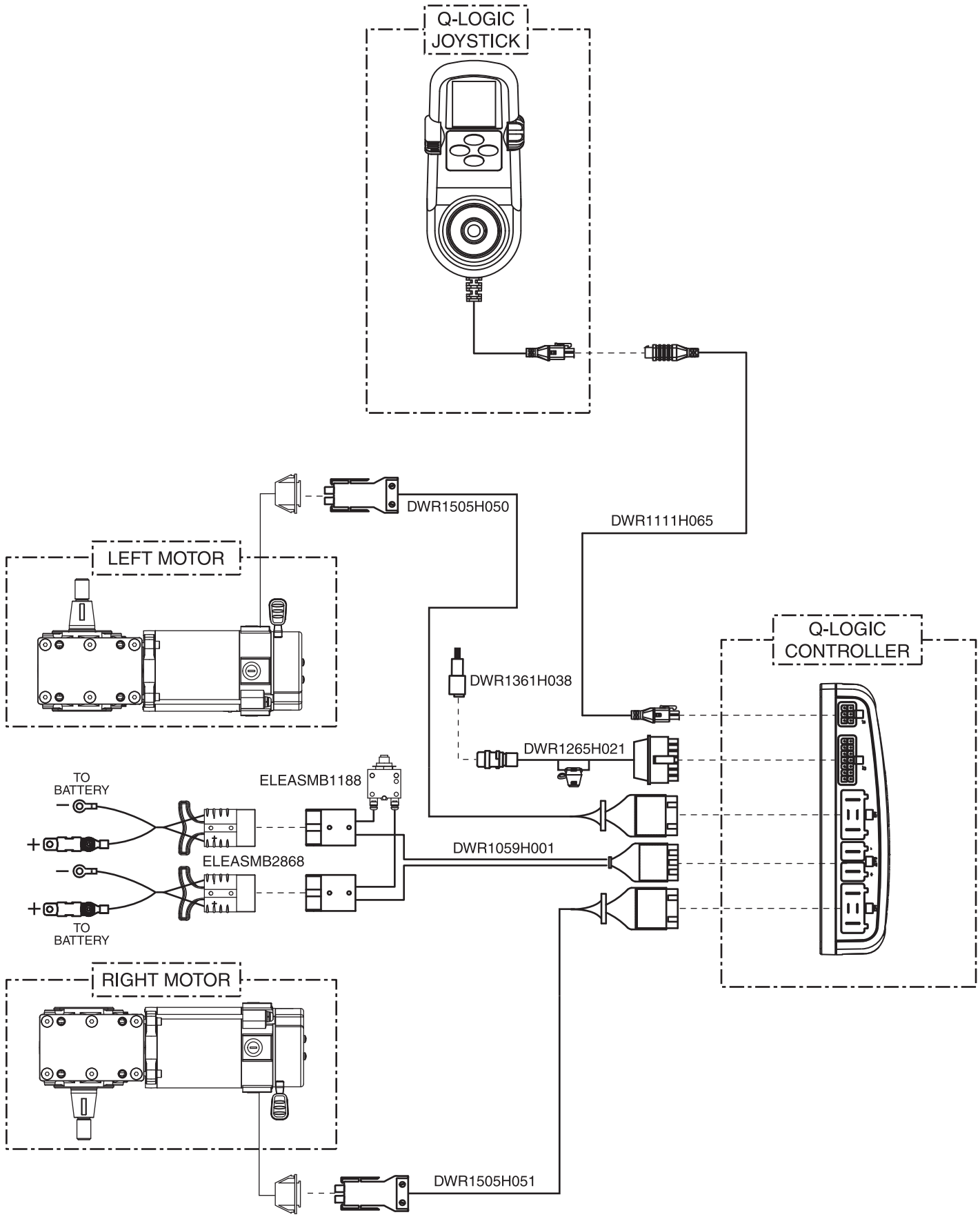


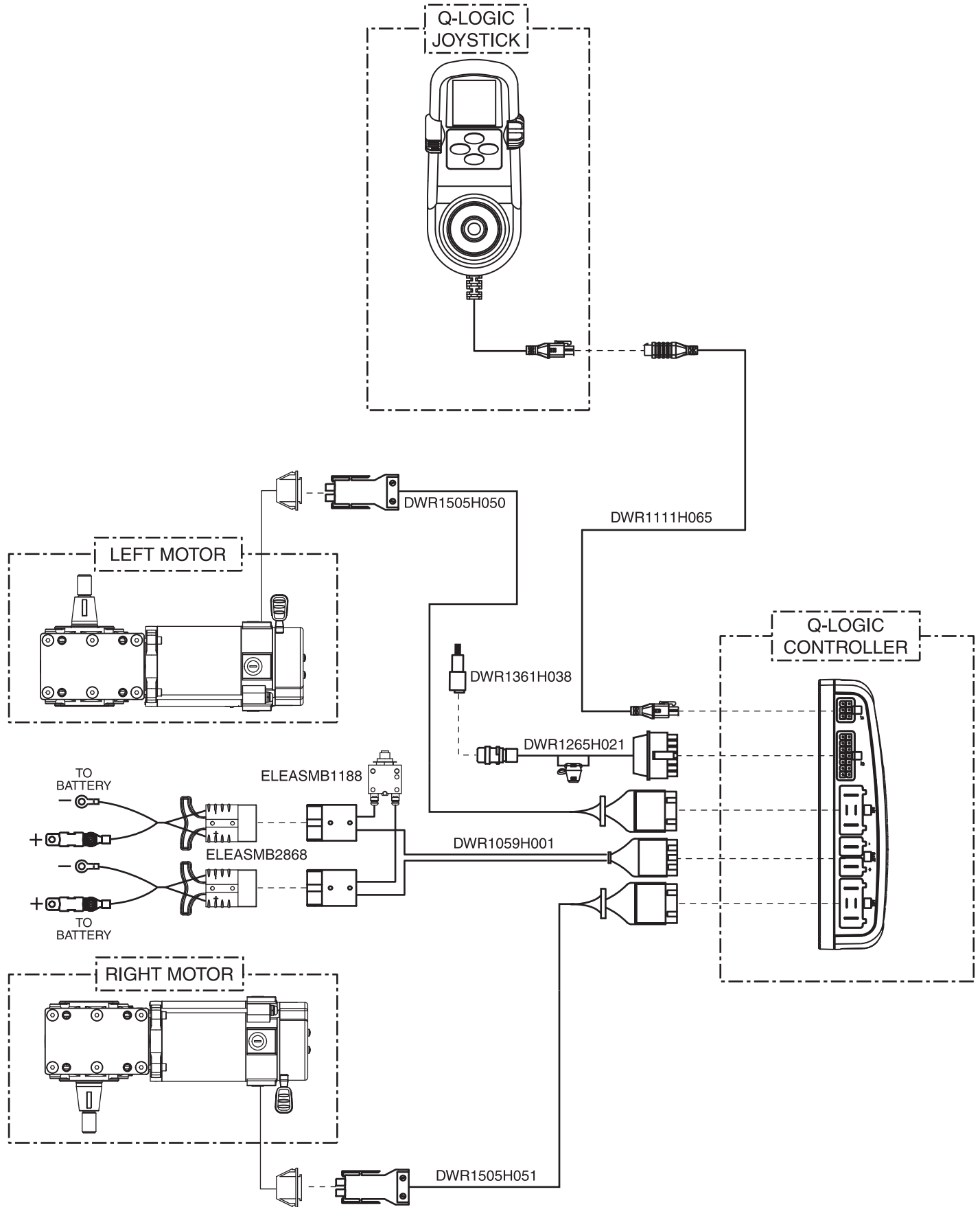














# Pride

*Mobility Products Corp.*

*www.pridemobility.com*

**Pride Mobility Products® Corporation**

182 Susquehanna Avenue  
Exeter, PA 18643  
USA

**Pride Mobility Products® Company**

380 Vansickle Road, Unit 350  
St. Catharines, Ontario L2R 6P7  
Canada

**Pride Mobility Products® Ltd.**

32 Wedgwood Road  
Bicester, Oxon OX26 4UL  
UK

**Pride Mobility Products® Australia Pty. Ltd.**

21 Healey Road  
Dandenong, 3175  
Victoria, Australia

**Pride Mobility Products® Italia S.r.l.**

Via del Porgresso - ang. Via del Lavoro  
Loc. Prato della Corte  
00065 - Fiano Romano (RM)

**Pride Mobility Products® Europe B.V.**

Castricummer Werf 26  
1901 RW Castricum  
The Netherlands