

Quantum[®] 600/600E/600HS

Pride Mobility Products[®]

US

ACN# 088 609 661

Illustrated Parts Breakdown



QUANTUM[®]
REHAB

A Division of Pride Mobility Products[®] Corp.

Your new Pride Illustrated Parts Breakdown (IPB) Manual has been compiled from the latest product information available at the time of publication. Pride Mobility Products® Corporation reserves the right to make changes and updates to this manual and to the product(s) it represents. Any changes, updates, or improvements to the product(s) may result in slight differences between this manual and the product you purchased.

An IPB is an illustrated parts listing of all product components which have maintenance significance. IPB's utilize "exploded" drawings to detail the individual components for each assembly and an itemized list of reference numbers, part numbers, descriptions, and quantities per assembly. Some parts may be included in an assembly but may not be available for purchase separately. Refer to the parts list to locate the part numbers for assemblies and components for ordering what you need.

To achieve proper identification and relationship of detail parts and next higher assemblies, parts listings are presented in a convenient alphanumeric reference system. Reference numbers for parent assemblies identify one part number that can be used to order all of the components listed within it. Components of an assembly will have the same alpha character as its parent assembly.

- For example, the parent assembly part number using reference number of A1 — A4 is the only number you need to place an order for parts with references of A1, A2, A3, and A4. Instead of ordering 4 separate parts, use the parent assembly part number to get the complete assembly.

Master assembly part numbers have reference numbers that include several subassemblies. By ordering parts using master assembly part numbers, you can save a lot of time and reduce the chance for error.

- For example, A1 — G10, a master assembly reference number, includes all components of assemblies A, B, C, D, E, F, and G. Use caution when ordering assemblies. Check to see if a master assembly part number exists for the components that you need. If an entire master assembly is not needed then the individual assembly part number (i.e. for reference number G1 — G10) will be sufficient to use for ordering.

Asterisks (*) and NOTES are used throughout this service manual to point out important information regarding assembly structure and contents.

- For example, in some illustrations, only the left OR right side is shown. In other drawings, only the front OR back is depicted. The part numbers for ALL components are listed. An asterisk will also be used to indicate which components are not illustrated.

Updates to the contents of this IPB will be made on a regular basis. Providers may retrieve updates immediately upon their release by going to the Pride Service Website. The web address is www.prideservice.com. We welcome any questions or comments regarding the new Pride IPB Manual that you may have.

Please note that the pricing guide is subject to change without any prior notice from Pride.

Thank you for choosing products from Pride Mobility Products® Corporation.

SECTION I.

Main Frame Assembly	6
---------------------------	---

SECTION II.

Anti-tip Assembly	
Active Trac	
Glide	8
H2	16
Front Caster	
Glide	20
H2	28

SECTION III.

Articulating Beam Assembly	30
----------------------------------	----

SECTION IV.

Motor Assembly	
Glide	32
H2	34

SECTION V.

Charger Assembly	
Onboard	36
Off-board	37

SECTION VI.

Controller Assembly	
PG Drives/Dynamic	38
Q-Logic	42

SECTION VII.

Electronics Tray Assembly	
Flight	
Onboard	44
Off-board	46
VSI	
Onboard	48
Off-board	50
Quantum, Onboard	52
Quantum, Off-board	54
Remote Plus, Glide	
Onboard	56
Off-board	58
Quantum, Onboard	60
Quantum, Off-board	62
Remote Plus, H2	
Onboard	64
Off-board	66
Quantum, Onboard	68
Quantum, Off-board	70
Q-Logic, Glide	
Off-board	72
Quantum, Off-board	74
Tilt Thru Toggle, Off-board	76

SECTION VII. (continued)

Q-Logic, H2
 Off-board 78
 Quantum, Off-board 80
 Tilt Thru Toggle, Off-board 82

VR2, Glide
 Onboard 84
 Off-board 86
 Tilt Thru Joystick, Onboard 88
 Tilt Thru Joystick, Off-board 90
 Tilt Thru Toggle, Onboard 92
 Tilt Thru Toggle, Off-board 94
 Future Actuator, Onboard 96
 Future Actuator, Off-board 98

VR2, H2
 Onboard 100
 Off-board 102
 Tilt Thru Joystick, Onboard 104
 Tilt Thru Joystick, Off-board 106
 Tilt Thru Toggle, Onboard 108
 Tilt Thru Toggle, Off-board 110
 Future Actuator, Onboard 112
 Future Actuator, Off-board 114

SECTION VIII.

Wheel Assembly
 Pneumatic, Star Rim 116
 Flat-Free, Star Rim 117
 Pneumatic, Silver Spoke 118
 Flat-Free, Silver Spoke 119

SECTION IX.

Footrest Assembly
 Standard 120
 ATX 122
 Power AFP Battery Access Bracket 124

SECTION X.

Shroud Assembly
 Onboard 126
 Off-board 140
 TRU-Balance Pediatric Tilt 154

SECTION XI.

Seat Tower Assembly
 Contour Seating 168
 Rehab Seating 170

SECTION XII.

Owner's Packages
 Quantum 600/600HS 172
 Quantum 600E 173

SECTION XIII.

Decal Packages

Quantum 600/600HS	174
Quantum 600E	175

APPENDIX A.

Electrical System Diagrams

Flight

Onboard	176
Off-board	177

VSI

Onboard	178
Off-board	179
Quantum, Onboard	180
Quantum, Off-board	181

Remote Plus, Glide

Onboard	182
Off-board	183
Quantum, Onboard	184
Quantum, Off-board	185

Remote Plus, H2

Onboard	186
Off-board	187
Quantum, Onboard	188
Quantum, Off-board	189

Q-Logic, Glide

Off-board	190
Quantum, Off-board	191
Tilt Thru Toggle, Off-board	192

Q-Logic, H2

Off-board	193
Quantum, Off-board	194
Tilt Thru Toggle, Off-board	195

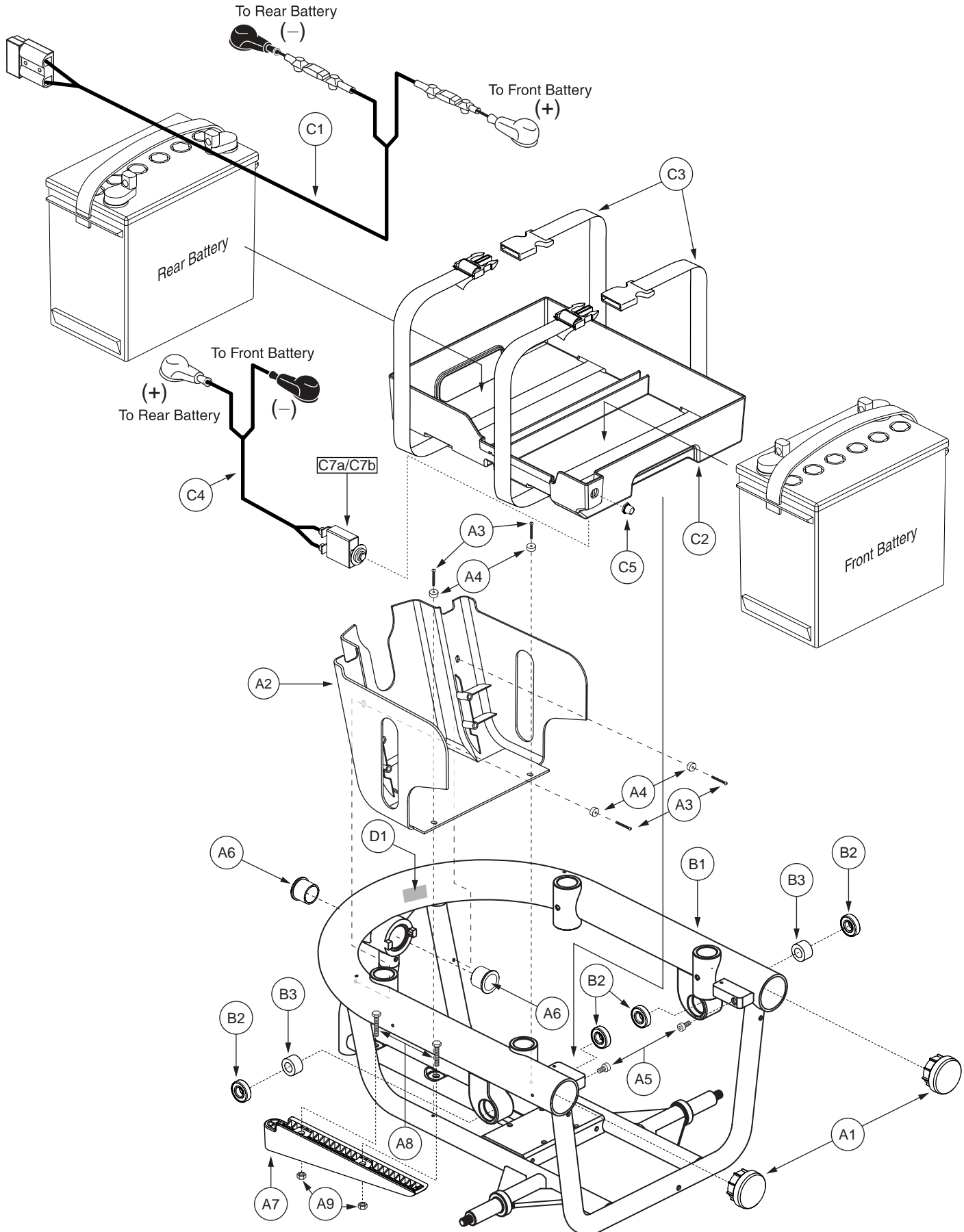
VR2, Glide

Onboard	196
Off-board	197
Tilt Thru Joystick, Onboard	198
Tilt Thru Joystick, Off-board	199
Tilt Thru Toggle, Onboard	200
Tilt Thru Toggle, Off-board	201
Future Actuator, Onboard	202
Future Actuator, Off-board	203

VR2, H2

Onboard	204
Off-board	205
Tilt Thru Joystick, Onboard	206
Tilt Thru Joystick, Off-board	207
Tilt Thru Toggle, Onboard	208
Tilt Thru Toggle, Off-board	209
Future Actuator, Onboard	210
Future Actuator, Off-board	211

Generation #2. Retrofits all previous generations.



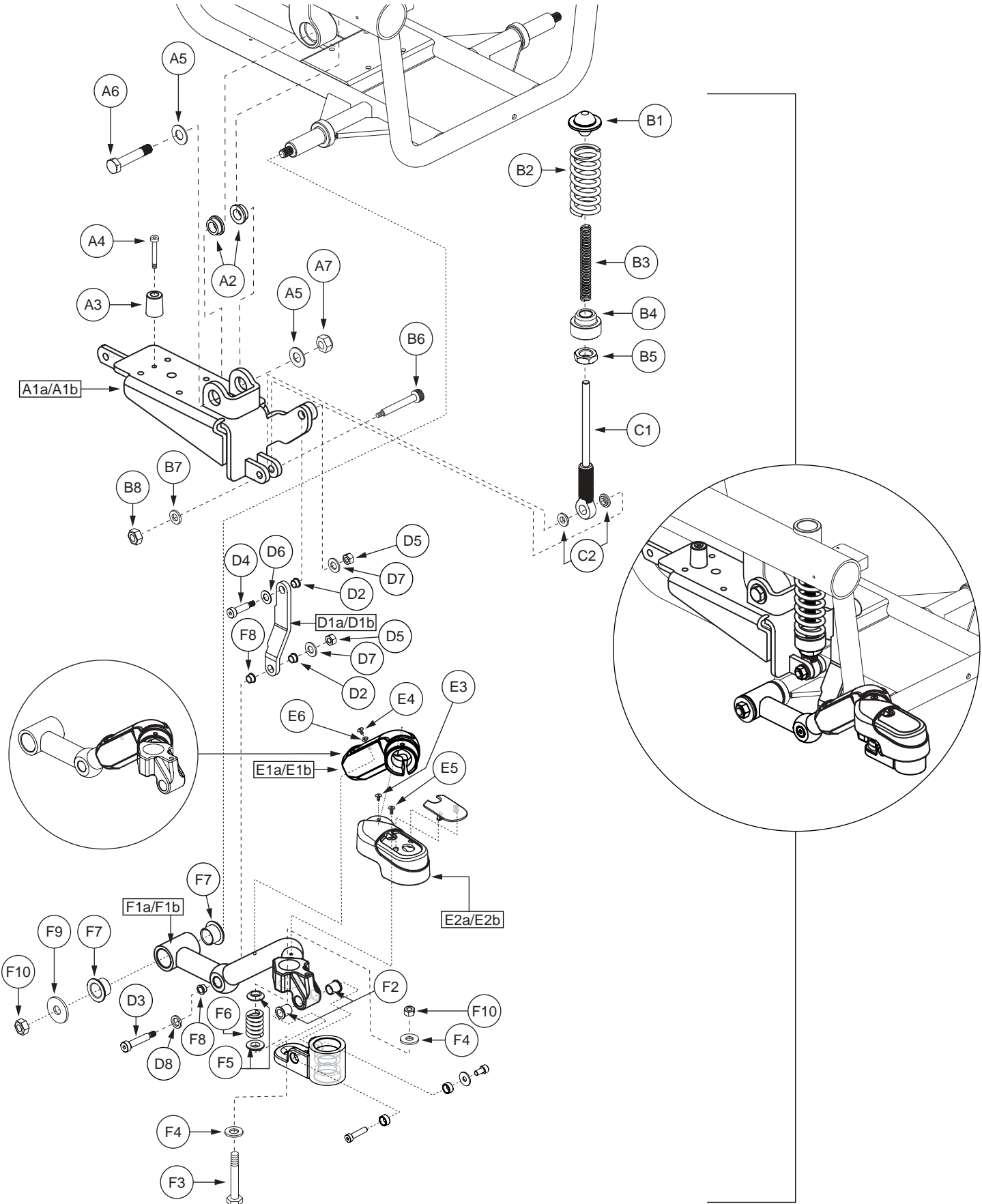
REF #	PART #	DESCRIPTION	QTY	Dealer \$	MSRP	11i
A1 — B3	FRMASMB9914	FRAME,ASSY,MAIN W/NOTCHED BELLY PAN,JAZZY600/QUANTUM600	1	\$277.2	\$706.86	
A1	DWR1056C017	MAIN TUBE CAP,C-1056-017	2	\$1.05	\$2.68	
A2	DWR1056E062	SHROUD,BELLY PAN,NOTCHED,E-1056-062	1	\$3.78	\$9.64	
A3	SCRPPH1153	SCREW,PPH,BLACK ZINC,M4-.7 X 20MM	4	\$1.05	\$2.68	
A4	DWR1054A011	SPACER,BLACK,NYLON,4MM ID X 19MM OD X 8MM TH,A-1054-011	4	\$1.05	\$2.68	
A5	SCRSHCS1122	SCREW,SHCS,BLACK ZINC,M8-1.25 X 16MM,GRADE 12.9	2	\$1.05	\$2.68	
A6	DWR1056B006	BUSHING,FLANGE,OIL IMPREGNATED BRONZE,25.05MM ID X 30.035MM OD X 20MM TH X 34.535MM FOD X 2.5MM FTH,B-1056-006	2	\$2.1	\$5.36	
A7	DWR1056D020	BUMPER,SKID BAR,D-1056-020	1	\$3.15	\$8.03	
A8	SCRHHCS1287	SCREW,HHCS,BLACK ZINC,M8-1.25 X 35MM,GRADE 10.9	2	\$1.05	\$2.68	
A9	NUTNYLK1011	NUT,NYLOCK,BLACK ZINC,M8-1.25	2	\$1.05	\$2.68	
B1 — B3	FRMASMB8021	FRAME,ASSY,MAIN,W/MOTOR MOUNT BEARINGS,JAZZY600	1	\$262.08	\$668.3	
B1	DWR1056E033	FRAME,WELDMENT,MAIN,E-1056-033	1	\$352.8	\$899.64	
B2	DWR1101A019	BEARING,BALL,12.0MM ID X 28.0MM OD X 8.0MM TH,A-1101-019,(SKF BEARING: 6001-ZZ DOUBLE SHIELD)	4	\$3.15	\$8.03	
B3	BRGSLV1054	BEARING, SLEEVE,ZINC,13MM ID X 23MM OD X 13.5MM TH,B-1056-076	2	\$1.05	\$2.68	
*C1 — C7a	PLSASMB1662	BATTERY,ASSY,TRAY,LARGE,PLASTIC,W/50 AMP CIRCUIT BREAKER,JAZZY600	1	\$138.6	\$353.43	
*C1 — C7b	PLSASMB1997	BATTERY,ASSY,TRAY,PLASTIC,LARGE,W/40 AMP CIRCUIT BREAKER,JAZZY600	1	\$81.9	\$208.85	
C1	DWR1054H003	ELECTRONIC,HARNESS,BATTERY CABLE, W/125A/32V FUSEABLE LINKS,H-1054-003	1	\$39.9	\$101.75	
C2	DWR1056E009	COVER,BATTERY TRAY,E-1056-009	1	\$3.15	\$8.03	
C3	ACCSTRP1036	STRAP,BATTERY,BLACK,46"L,THIN BUCKLE	2	\$10.5	\$26.78	
C4	DWR1054H001	ELECTRONIC,HARNESS,POSITIVE BATTERY TERMINAL TO CIRCUIT BREAKER JUMPER,H-1054-001	1	\$4.2	\$10.71	
C5	INDPART2148	COVER,12 X 1.25T,BREAKER BUTTON, W/NUT	1	\$2.1	\$5.36	
*C6	PLSTIE1001	TIE WRAP,BLACK,4"	1	\$1.05	\$2.68	
C7a	ELEASMB1000	ELECTRONIC,ASSY,CIRCUIT BREAKER,50 AMP,COMPLETE	1	\$12.6	\$32.13	
C7b	ELECBRK1007	ELECTRONIC,CIRCUIT BREAKER,40 AMP,RIGHT ANGLE RING TERMINALS	1	\$12.6	\$32.13	
*D1	DECSERN1032	DECAL,SERIAL NUMBER,4" X 6",BARCODE,W/PRIDE LOGO	1	N/A	N/A	

Notes :

Generation #2. Retrofits all previous generations.

- *C1 — C7a Does not include C7b. Battery Tray for units equipped with a VSI controller.
- *C1 — C7b Does not include C7a. Battery Tray for units equipped with a Flight controller.
- *C6 Not shown.
- *D1 Decal is not available for replacement.

Applicable to Serial Number J5708607001S10 and subsequent for Quantum 600 units. Applicable to Serial Number J7808607001S10 and subsequent for Quantum 600E units.

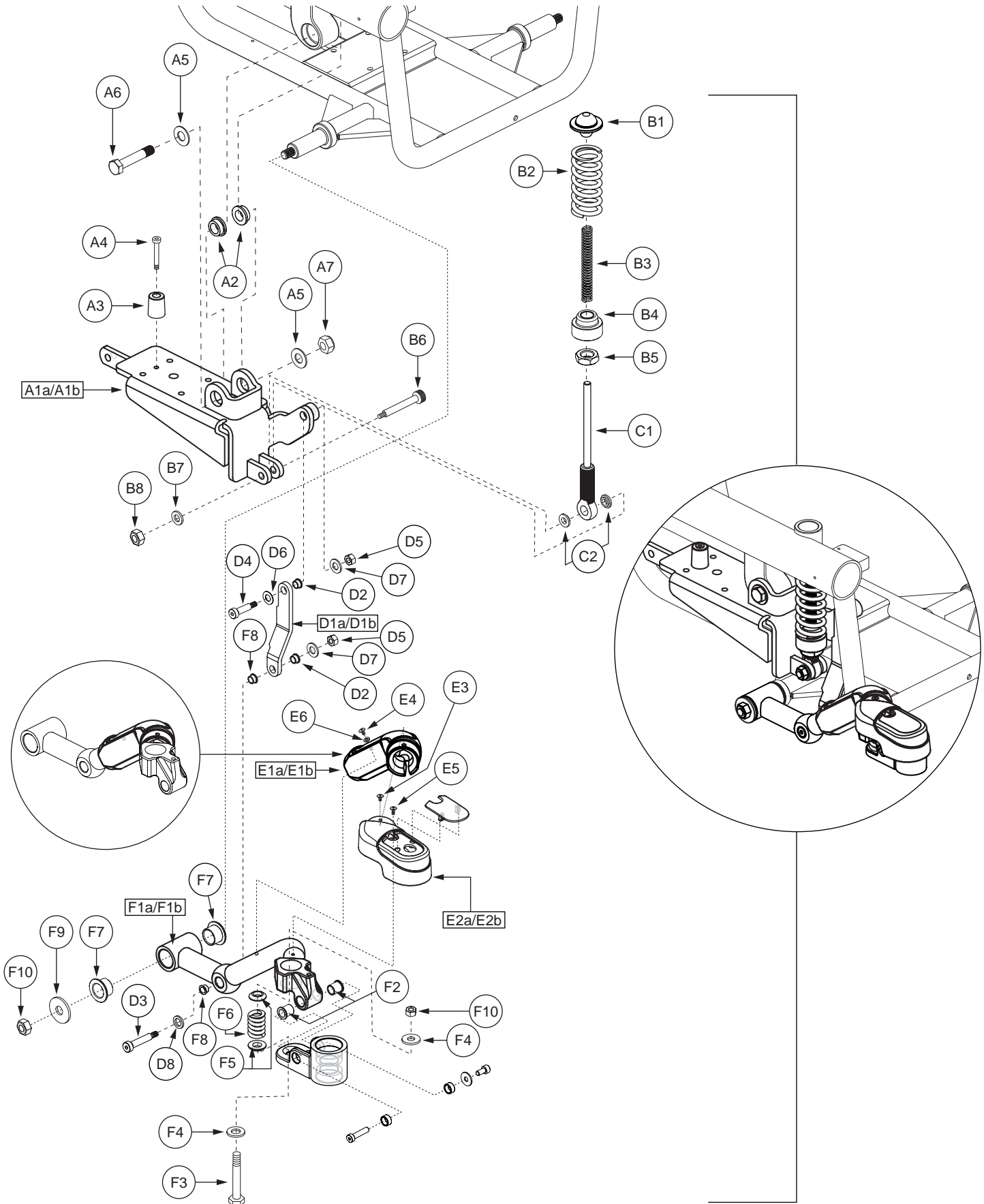


***Note:** Right side shown. If an item has no callout, it is being shown for assembly purposes.

REF #	PART #	DESCRIPTION	QTY	Dealer \$	MSRP	11i
A1a — I1a	FRMASMB8022	ANTI-TIP,ASSY,ACTIVE TRACK,RIGHT,JAZZY600	1	\$289.8	\$738.99	
A1b — I1b	FRMASMB8023	ANTI-TIP,ASSY,ACTIVE TRACK,LEFT,JAZZY600	1	\$289.8	\$738.99	
A1a — A7	FRMASMB8024	ANTI-TIP,ASSY,ACTIVE TRACK,W/MOTOR MOUNT,JAZZY600,RIGHT	1	\$46.2	\$117.81	
A1b — A7	FRMASMB8025	ANTI-TIP,ASSY,ACTIVE TRACK,W/MOTOR MOUNT,JAZZY600,LEFT	1	\$46.2	\$117.81	
A1a	DWR1056E044	ACTIVE TRAC/MOTOR MOUNT BRACKET WELDMENT,RIGHT,E-1056-044	1	N/A	N/A	
A1b	DWR1056E043	ACTIVE TRAC/MOTOR MOUNT BRACKET WELDMENT,LEFT,E-1056-043	1	N/A	N/A	
A2	DWR1056B065	BUSHING,FLANGE,BLACK ZINC,STEEL,12MM ID X 18MM OD X 8.25MM TH X 22MM FOD X 2.75MM FTH,B-1056-065	2	\$1.05	\$2.68	
A3	DWR1056B062	BUMPER,BLACK,RUBBER,6.5MM ID X 25MM OD X 32MM TH,SHORE 90 A,B-1056-062	1	\$1.05	\$2.68	
A4	SCRSHCS1015	SCREW,SHCS,BLACK ZINC,M6-1.0 X 30MM,GRADE 12.9	1	\$1.05	\$2.68	
A5	WASMETR1050	WASHER,FLAT,BLACK ZINC,13MM ID X 24MM OD X 2.5MM TH	2	\$1.05	\$2.68	
A6	SCRHHCS1330	SCREW,HHCS,BLACK ZINC,M12-1.75 X 65MM,GRADE 12.9,C-1005-003	1	\$1.05	\$2.68	
A7	NUTNYLK1066	NUT,NYLOCK,BLACK ZINC,M12-1.25,GRADE 8,(MTS: 53212007)	1	\$1.05	\$2.68	
B1 — C2	FRMASMB8000	STRUT,ASSY,FRONT SUSPENSION,JAZZY600,C-1056-056	1	\$37.8	\$96.39	
B1	DWR1056C020	BALL PIVOT,C-1056-020	1	\$5.25	\$13.39	
B2	DWR1056B061	SPRING,BLACK,3.00" FL X 1.390" OD X 0.195" WIRE DIA X RATE: 220 LBS/IN,B-1056-061	1	\$11.55	\$29.45	
B3	DWR1056B034	SPRING,BLACK,3.25" L X 0.75" OD X 0.060" WIRE DIA X RATE 6.9,B-1056-034	1	\$4.2	\$10.71	
B4	DWR1056B060	ADJUSTMENT COLLAR,ACTIVE-TRACK STRUT,B-1056-060	1	\$4.2	\$10.71	
B5	NUTJAM1027	NUT,JAM,BLACK ZINC,M16-1.5,A-1005-006	1	\$1.05	\$2.68	
B6	BLTASHL1088	BOLT,SHOULDER,M8 X 25MM,GRADE 12.9,C-1056-026	1	\$1.05	\$2.68	
B7	WASMETR1033	WASHER,FLAT,BLACK ZINC,6.4MM ID X 12MM OD X 1.6MM TH,METRIC,GB96-6	1	\$1.05	\$2.68	
B8	NUTNYLK1019	NUT,NYLOCK,BLACK ZINC,M6-1.0	1	\$1.05	\$2.68	
C1 — C2	FRMASMB7098	STRUT,ASSY,ACTIVE TRAC,W/BUSHING,C-1056-032	1	\$11.55	\$29.45	
C1	DWR1056C013	STRUT WELDMENT,ACTIVE TRAC,C-1056-013	1	\$10.5	\$26.78	
C2	DWR1056B037	BEARING,FLANGE,OIL IMPREGNATED BRONZE,8MM ID X 12MM OD X 6MM TH X 16MM FOD X 2MM FTH,B-1056-037	2	\$1.05	\$2.68	
D1a — D8	FRMASMB7990	ANTI-TIP,ASSY,TRANSFER LINK,ACTIVE-TRACK,RIGHT,B-1056-053	1	\$11.55	\$29.45	
D1b — D8	FRMASMB7989	ANTI-TIP,ASSY,TRANSFER LINK,ACTIVE-TRACK,LEFT,B-1056-054	1	\$11.55	\$29.45	
D1a	DWR1056C046	TRANSFER LINK,ACTIVE-TRACK,RIGHT,C-1056-046	1	\$5.25	\$13.39	
D1b	DWR1056C047	TRANSFER LINK,ACTIVE-TRACK,LEFT,C-1056-047	1	\$5.25	\$13.39	
D2	BRGFLNG1044	BEARING,FLANGE,BLACK,DELFIN,10MM ID X 13MM OD X 8MM TH X 16MM FOD X 1.50MM FTH,B-1056-046	2	\$1.05	\$2.68	
D3	BLTASHL1146	BOLT,SHOULDER,BLACK ZINC,M10 X 30MM,GRADE 12.9,B-1005-014	1	\$1.05	\$2.68	
D4	BLTASHL1150	BOLT,SHOULDER,10MM X 25MM,CUSTOM THREAD LENGTH,C-1056-059	1	\$1.05	\$2.68	
D5	NUTNYLK1085	NUT,NYLOCK,BLACK ZINC CHROMATE,M8-1.25,GRADE 8	2	\$1.05	\$2.68	
D6	WASNYLN1114	WASHER,BLACK,NYLON,10.5MM ID X 20MM OD X 1MM TH,B-1005-027	1	\$1.05	\$2.68	
D7	WASMETR1029	WASHER,FLAT,BLACK ZINC,8.4MM ID X 16MM OD X 1.6MM TH,METRIC,GB96-8	2	\$1.05	\$2.68	
D8	DWR1005B028	WASHER,BLACK NYLON,10.5MM ID X 16MM OD X 2.2MM TH,B-1005-028	1	\$1.05	\$2.68	
E1a — H1a	FRMASMB8026	ANTI-TIP,ASSY,ARM,W/CASTER BARREL,WHEEL,ACTIVE-TRACK,FRONT/RIGHT	1	\$126	\$321.3	
E1b — H1b	FRMASMB8027	ANTI-TIP,ASSY,ARM,W/CASTER BARREL,WHEEL,ACTIVE-TRACK,FRONT/LEFT	1	\$126	\$321.3	
E1a	DWR1056E039	COVER,CASTER ARM,FOAM,RIGHT,E-1056-039	1	\$4.2	\$10.71	
E1b	DWR1056E040	COVER,CASTER ARM,FOAM,LEFT,E-1056-040	1	\$4.2	\$10.71	

The parts list is continued on the subsequent pages.

Applicable to Serial Number J5708607001S10 and subsequent for Quantum 600 units. Applicable to Serial Number J7808607001S10 and subsequent for Quantum 600E units.



***Note:** Right side shown. If an item has no callout, it is being shown for assembly purposes.

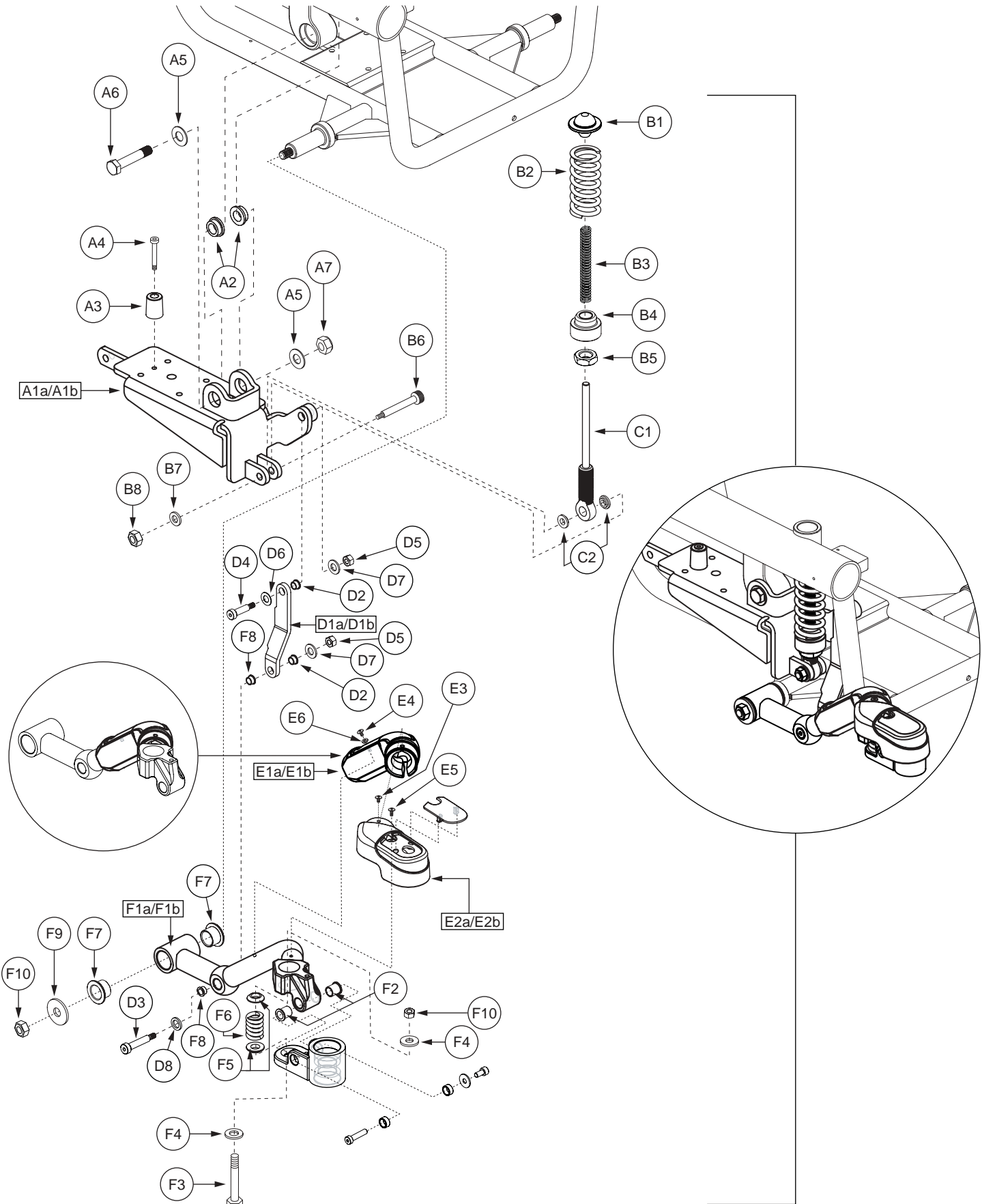
The parts list is continued from the previous pages.

REF #	PART #	DESCRIPTION	QTY	Dealer \$	MSRP	11i
E2a	DWR1056E037	COVER,CASTER ARM,PLASTIC,RIGHT,E-1056-037	1	\$3.15	\$8.03	
E2b	DWR1056E038	COVER,CASTER ARM,PLASTIC,LEFT,E-1056-038	1	\$3.15	\$8.03	
E3	SCRPPH1129	SCREW, PPH,BLACK,M4-.7 X 12MM	1	\$1.05	\$2.68	
E4	SCRPPH1036	SCREW, PPH,BLACK ZINC,M4-.7 X 8MM	1	\$1.05	\$2.68	
E5	SCRPPH1296	SCREW, PPH,BLACK ZINC,M6-1.0 X 10MM	1	\$1.05	\$2.68	
E6	WASMETR1042	WASHER,FLAT,BLACK ZINC,4.3MM ID X 12MM OD X 1MM TH,METRIC,GB96-4	1	\$1.05	\$2.68	
F1a — G1a	FRMASMB10492	ANTI-TIP,ASSY,ARM,REINFORCED,W/CASTER BARREL,ACTIVE-TRACK,FRONT/RIGHT,JAZZY/QUANTUM600,D-1056-046	1	\$62.77	\$160.07	
F1b — G1b	FRMASMB10491	ANTI-TIP,ASSY,ARM,REINFORCED,W/CASTER BARREL,ACTIVE-TRACK,FRONT/LEFT,JAZZY/QUANTUM600,D-1056-045	1	\$62.92	\$160.46	
F1a	DWR1056D021	ANTI-TIP ARM WELDMENT,ACTIVE-TRACK,FRONT/RIGHT,D-1056-021	1	\$50.4	\$128.52	
F1b	DWR1056D022	ANTI-TIP ARM WELDMENT,ACTIVE-TRACK,FRONT/LEFT,D-1056-022	1	\$50.4	\$128.52	
F2	BRGFLNG1046	BEARING, FLANGE,DELRIN,10MM ID X 13MM OD X 15MM TH X 16MM FOD X 1.5MM FTH,B-1056-063	2	\$1.05	\$2.68	
F3	SCRHHCS1444	SCREW,HHCS,BLACK ZINC,M10-1.5 X 50MM,GRADE 10.9,B-1005-118	1	\$1.05	\$2.68	
F4	DWR1056B066	WASHER,FLAT,BLACK ZINC,10.5MM ID X 20MM OD X 3MM TH,B-1056-066	2	\$1.05	\$2.68	
F5	DWR1056B049	SPRING PIVOT,MUSHROOM,FRONT,B-1056-049	2	\$1.05	\$2.68	
F6	DWR1056B056	SPRING,BLACK,1.00" FL X 0.730" OD X 0.148" WIRE DIA X RATE: 1150 LBS/IN,B-1056-056,(LEE SPRING: LHL-750D-1)	1	\$1.05	\$2.68	
F7	BRGFLNG1045	BEARING, FLANGE,DELRIN,19MM ID X 23MM OD X 16MM TH X 32MM FOD X 2MM FTH,B-1056-050	2	\$1.05	\$2.68	
F8	BRGFLNG1044	BEARING,FLANGE,BLACK,DELRIN,10MM ID X 13MM OD X 8MM TH X 16MM FOD X 1.50MM FTH,B-1056-046	2	\$1.05	\$2.68	
F9	WASMETR1043	WASHER,FLAT,BLACK ZINC,10.5MM ID X 30MM OD X 2.5MM TH,METRIC,GB97-10	1	\$1.05	\$2.68	
F10	NUTNYLK1073	NUT,NYLOCK,BLACK ZINC,M10-1.5,GRADE 8	2	\$1.05	\$2.68	
*G1a	FRMASMB10549	CASTER,ASSY,BARREL,ACTIVE-TRACK,FRONT/RIGHT,JAZZY/QUANTUM600/610,C-1202-007	1	\$31.5	\$80.33	
*G1b	FRMASMB10550	CASTER,ASSY,BARREL,ACTIVE-TRACK,FRONT/LEFT,JAZZY/QUANTUM600/610,C-1202-008	1	\$31.5	\$80.33	
*H1a	FRMASMB10514	CASTER,ASSY,FLAT FREE,5" WHEEL,W/FORK & COVERS,RIGHT,E-1202-001	1	\$42.84	\$109.24	
*H1b	FRMASMB10515	CASTER,ASSY,FLAT FREE,5" WHEEL,W/FORK & COVERS,LEFT,E-1202-002	1	\$42.84	\$109.24	
*I1a	FRMASMB6925	FREEWHEEL,ASSY,RELEASE,JAZZY600,RIGHT	1	\$12.6	\$32.13	
*I1b	FRMASMB6926	FREEWHEEL,ASSY,RELEASE,JAZZY600,LEFT	1	\$12.6	\$32.13	

Notes :

Applicable to Serial Number J5708607001S10 and subsequent for Quantum 600 units. Applicable to Serial Number J7808607001S10 and subsequent for Quantum 600E units. Top-level assemblies will include components designated with corresponding lower-case letters. Parts without lower-case letters will be included in all top-level assemblies. For all items with an "*", refer to SECTION II. Anti-tip — Front Caster, Glide for the illustration and parts list.

Applicable prior to Serial Number J5708607001S10 for Quantum 600 units. Applicable prior to Serial Number J7808607001S10 for Quantum 600E units.

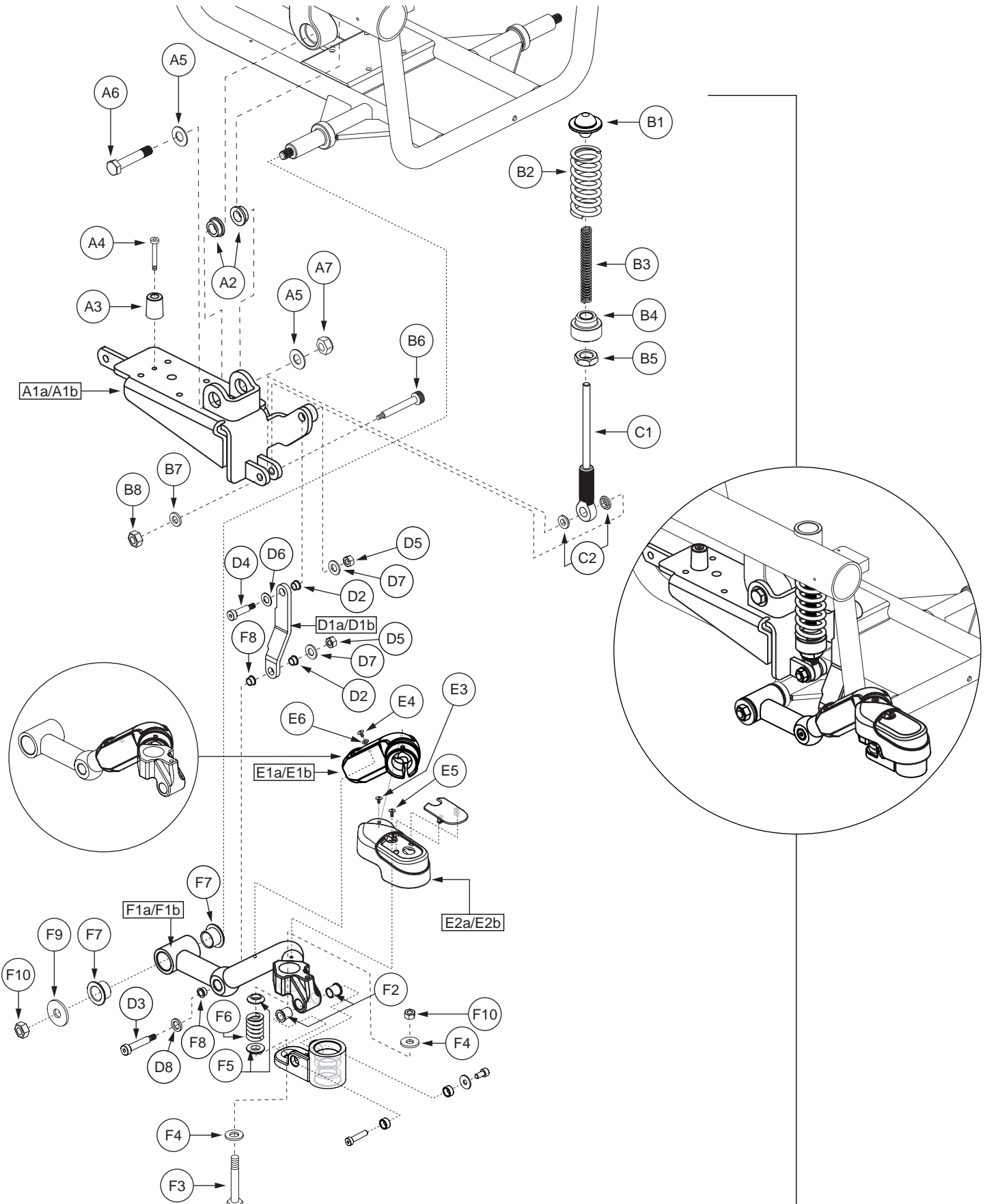


***Note:** Right side shown. If an item has no callout, it is being shown for assembly purposes.

REF #	PART #	DESCRIPTION	QTY	Dealer \$	MSRP	11i
A1a — I1a	FRMASMB8022	ANTI-TIP,ASSY,ACTIVE TRACK,RIGHT,JAZZY600	1	\$289.8	\$738.99	
A1b — I1b	FRMASMB8023	ANTI-TIP,ASSY,ACTIVE TRACK,LEFT,JAZZY600	1	\$289.8	\$738.99	
A1a — A7	FRMASMB8024	ANTI-TIP,ASSY,ACTIVE TRACK,W/MOTOR MOUNT,JAZZY600,RIGHT	1	\$46.2	\$117.81	
A1b — A7	FRMASMB8025	ANTI-TIP,ASSY,ACTIVE TRACK,W/MOTOR MOUNT,JAZZY600,LEFT	1	\$46.2	\$117.81	
A1a	DWR1056E044	ACTIVE TRAC/MOTOR MOUNT BRACKET WELDMENT,RIGHT,E-1056-044	1	N/A	N/A	
A1b	DWR1056E043	ACTIVE TRAC/MOTOR MOUNT BRACKET WELDMENT,LEFT,E-1056-043	1	N/A	N/A	
A2	DWR1056B065	BUSHING,FLANGE,BLACK ZINC,STEEL,12MM ID X 18MM OD X 8.25MM TH X 22MM FOD X 2.75MM FTH,B-1056-065	2	\$1.05	\$2.68	
A3	DWR1056B062	BUMPER,BLACK,RUBBER,6.5MM ID X 25MM OD X 32MM TH,SHORE 90 A,B-1056-062	1	\$1.05	\$2.68	
A4	SCRSHCS1015	SCREW,SHCS,BLACK ZINC,M6-1.0 X 30MM,GRADE 12.9	1	\$1.05	\$2.68	
A5	WASMETR1050	WASHER,FLAT,BLACK ZINC,13MM ID X 24MM OD X 2.5MM TH	2	\$1.05	\$2.68	
A6	SCRHHCS1330	SCREW,HHCS,BLACK ZINC,M12-1.75 X 65MM,GRADE 12.9,C-1005-003	1	\$1.05	\$2.68	
A7	NUTNYLK1066	NUT,NYLOCK,BLACK ZINC,M12-1.25,GRADE 8,(MTS: 53212007)	1	\$1.05	\$2.68	
B1 — C2	FRMASMB8000	STRUT,ASSY,FRONT SUSPENSION,JAZZY600,C-1056-056	1	\$37.8	\$96.39	
B1	DWR1056C020	BALL PIVOT,C-1056-020	1	\$5.25	\$13.39	
B2	DWR1056B061	SPRING,BLACK,3.00" FL X 1.390" OD X 0.195" WIRE DIA X RATE: 220 LBS/IN,B-1056-061	1	\$11.55	\$29.45	
B3	DWR1056B034	SPRING,BLACK,3.25" L X 0.75" OD X 0.060" WIRE DIA X RATE 6.9,B-1056-034	1	\$4.2	\$10.71	
B4	DWR1056B060	ADJUSTMENT COLLAR,ACTIVE-TRACK STRUT,B-1056-060	1	\$4.2	\$10.71	
B5	NUTJAM1027	NUT,JAM,BLACK ZINC,M16-1.5,A-1005-006	1	\$1.05	\$2.68	
B6	BLTASHL1088	BOLT,SHOULDER,M8 X 25MM,GRADE 12.9,C-1056-026	1	\$1.05	\$2.68	
B7	WASMETR1033	WASHER,FLAT,BLACK ZINC,6.4MM ID X 12MM OD X 1.6MM TH,METRIC,GB96-6	1	\$1.05	\$2.68	
B8	NUTNYLK1019	NUT,NYLOCK,BLACK ZINC,M6-1.0	1	\$1.05	\$2.68	
C1 — C2	FRMASMB7098	STRUT,ASSY,ACTIVE TRAC,W/BUSHING,C-1056-032	1	\$11.55	\$29.45	
C1	DWR1056C013	STRUT WELDMENT,ACTIVE TRAC,C-1056-013	1	\$10.5	\$26.78	
C2	DWR1056B037	BEARING,FLANGE,OIL IMPREGNATED BRONZE,8MM ID X 12MM OD X 6MM TH X 16MM FOD X 2MM FTH,B-1056-037	2	\$1.05	\$2.68	
D1a — D8	FRMASMB7990	ANTI-TIP,ASSY,TRANSFER LINK,ACTIVE-TRACK,RIGHT,B-1056-053	1	\$11.55	\$29.45	
D1b — D8	FRMASMB7989	ANTI-TIP,ASSY,TRANSFER LINK,ACTIVE-TRACK,LEFT,B-1056-054	1	\$11.55	\$29.45	
D1a	DWR1056C046	TRANSFER LINK,ACTIVE-TRACK,RIGHT,C-1056-046	1	\$5.25	\$13.39	
D1b	DWR1056C047	TRANSFER LINK,ACTIVE-TRACK,LEFT,C-1056-047	1	\$5.25	\$13.39	
D2	BRGFLNG1044	BEARING,FLANGE,BLACK,DELFIN,10MM ID X 13MM OD X 8MM TH X 16MM FOD X 1.50MM FTH,B-1056-046	2	\$1.05	\$2.68	
D3	BLTASHL1146	BOLT,SHOULDER,BLACK ZINC,M10 X 30MM,GRADE 12.9,B-1005-014	1	\$1.05	\$2.68	
D4	BLTASHL1150	BOLT,SHOULDER,10MM X 25MM,CUSTOM THREAD LENGTH,C-1056-059	1	\$1.05	\$2.68	
D5	NUTNYLK1085	NUT,NYLOCK,BLACK ZINC CHROMATE,M8-1.25,GRADE 8	2	\$1.05	\$2.68	
D6	WASNYLN1114	WASHER,BLACK,NYLON,10.5MM ID X 20MM OD X 1MM TH,B-1005-027	1	\$1.05	\$2.68	
D7	WASMETR1029	WASHER,FLAT,BLACK ZINC,8.4MM ID X 16MM OD X 1.6MM TH,METRIC,GB96-8	2	\$1.05	\$2.68	
D8	DWR1005B028	WASHER,BLACK NYLON,10.5MM ID X 16MM OD X 2.2MM TH,B-1005-028	1	\$1.05	\$2.68	
E1a — H1a	FRMASMB8026	ANTI-TIP,ASSY,ARM,W/CASTER BARREL,WHEEL,ACTIVE-TRACK,FRONT/RIGHT	1	\$126	\$321.3	
E1b — H1b	FRMASMB8027	ANTI-TIP,ASSY,ARM,W/CASTER BARREL,WHEEL,ACTIVE-TRACK,FRONT/LEFT	1	\$126	\$321.3	
E1a	DWR1056E039	COVER,CASTER ARM,FOAM,RIGHT,E-1056-039	1	\$4.2	\$10.71	
E1b	DWR1056E040	COVER,CASTER ARM,FOAM,LEFT,E-1056-040	1	\$4.2	\$10.71	

The parts list is continued on the subsequent pages.

Applicable prior to Serial Number J5708607001S10 for Quantum 600 units. Applicable prior to Serial Number J7808607001S10 for Quantum 600E units.



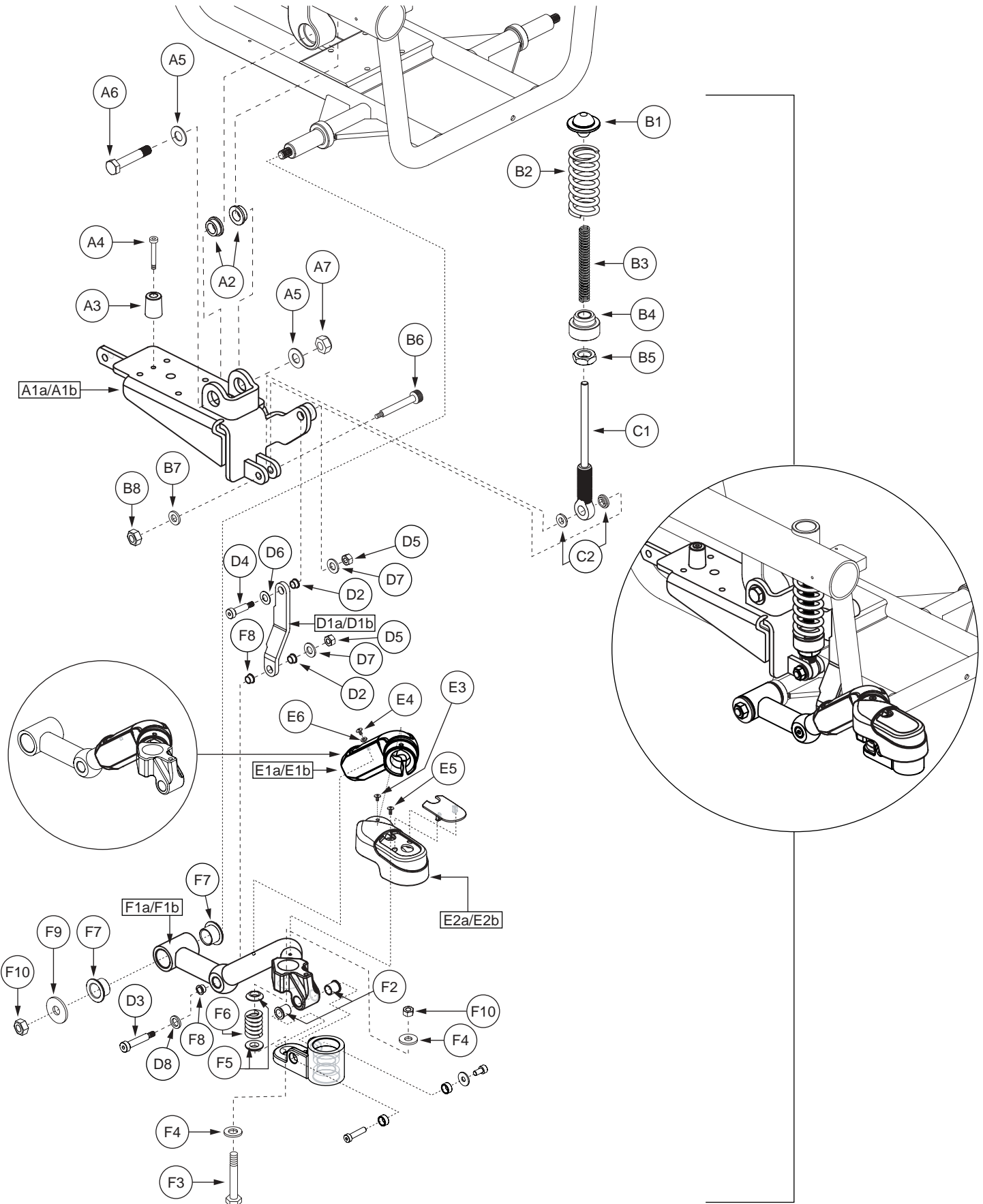
***Note:** Right side shown. If an item has no callout, it is being shown for assembly purposes.

The parts list is continued from the previous pages.

REF #	PART #	DESCRIPTION	QTY	Dealer \$	MSRP	11i
E2a	DWR1056E037	COVER,CASTER ARM,PLASTIC,RIGHT,E-1056-037	1	\$3.15	\$8.03	
E2b	DWR1056E038	COVER,CASTER ARM,PLASTIC,LEFT,E-1056-038	1	\$3.15	\$8.03	
E3	SCRPPH1129	SCREW, PPH,BLACK,M4-.7 X 12MM	1	\$1.05	\$2.68	
E4	SCRPPH1036	SCREW, PPH,BLACK ZINC,M4-.7 X 8MM	1	\$1.05	\$2.68	
E5	SCRPPH1296	SCREW, PPH,BLACK ZINC,M6-1.0 X 10MM	1	\$1.05	\$2.68	
E6	WASMETR1042	WASHER,FLAT,BLACK ZINC,4.3MM ID X 12MM OD X 1MM TH,METRIC,GB96-4	1	\$1.05	\$2.68	
F1a — G1a	FRMASMB7992	ANTI-TIP,ASSY,ARM,W/CASTER BARREL,ACTIVE-TRACK,FRONT/RIGHT,D-1056-023	1	\$113.4	\$289.17	
F1b — G1b	FRMASMB7991	ANTI-TIP,ASSY,ARM,W/CASTER BARREL,ACTIVE-TRACK,FRONT/LEFT,D-1056-024	1	\$113.4	\$289.17	
F1a	DWR1056D021	ANTI-TIP ARM WELDMENT,ACTIVE-TRACK,FRONT/RIGHT,D-1056-021	1	\$50.4	\$128.52	
F1b	DWR1056D022	ANTI-TIP ARM WELDMENT,ACTIVE-TRACK,FRONT/LEFT,D-1056-022	1	\$50.4	\$128.52	
F2	BRGFLNG1046	BEARING, FLANGE,DELTRIN,10MM ID X 13MM OD X 15MM TH X 16MM FOD X 1.5MM FTH,B-1056-063	2	\$1.05	\$2.68	
F3	SCRHHCS1444	SCREW,HHCS,BLACK ZINC,M10-1.5 X 50MM,GRADE 10.9,B-1005-118	1	\$1.05	\$2.68	
F4	DWR1056B066	WASHER,FLAT,BLACK ZINC,10.5MM ID X 20MM OD X 3MM TH,B-1056-066	2	\$1.05	\$2.68	
F5	DWR1056B049	SPRING PIVOT,MUSHROOM,FRONT,B-1056-049	2	\$1.05	\$2.68	
F6	DWR1056B056	SPRING,BLACK,1.00" FL X 0.730" OD X 0.148" WIRE DIA X RATE: 1150 LBS/IN,B-1056-056,(LEE SPRING: LHL-750D-1)	1	\$1.05	\$2.68	
F7	BRGFLNG1045	BEARING, FLANGE,DELTRIN,19MM ID X 23MM OD X 16MM TH X 32MM FOD X 2MM FTH,B-1056-050	2	\$1.05	\$2.68	
F8	BRGFLNG1044	BEARING,FLANGE,BLACK,DELTRIN,10MM ID X 13MM OD X 8MM TH X 16MM FOD X 1.50MM FTH,B-1056-046	2	\$1.05	\$2.68	
F9	WASMETR1043	WASHER,FLAT,BLACK ZINC,10.5MM ID X 30MM OD X 2.5MM TH,METRIC,GB97-10	1	\$1.05	\$2.68	
F10	NUTNYLK1073	NUT,NYLOCK,BLACK ZINC,M10-1.5,GRADE 8	2	\$1.05	\$2.68	
*G1a	FRMASMB7994	CASTER,ASSY,BARREL,ACTIVE-TRACK,FRONT/RIGHT,C-1056-043	1	\$48.3	\$123.17	
*G1b	FRMASMB7993	CASTER,ASSY,BARREL,ACTIVE-TRACK,FRONT/LEFT,C-1056-044	1	\$48.3	\$123.17	
*H1a	FRMASMB7996	CASTER,ASSY,FLAT FREE,5" WHEEL,W/FORK & COVERS,FRONT/RIGHT,E-1056-036	1	\$55.65	\$141.91	
*H1b	FRMASMB7995	CASTER,ASSY,FLAT FREE,5" WHEEL,W/FORK & COVERS,FRONT/LEFT,E-1056-045	1	\$55.65	\$141.91	
*I1a	FRMASMB6925	FREEWHEEL,ASSY,RELEASE,JAZZY600,RIGHT	1	\$12.6	\$32.13	
*I1b	FRMASMB6926	FREEWHEEL,ASSY,RELEASE,JAZZY600,LEFT	1	\$12.6	\$32.13	

Notes :

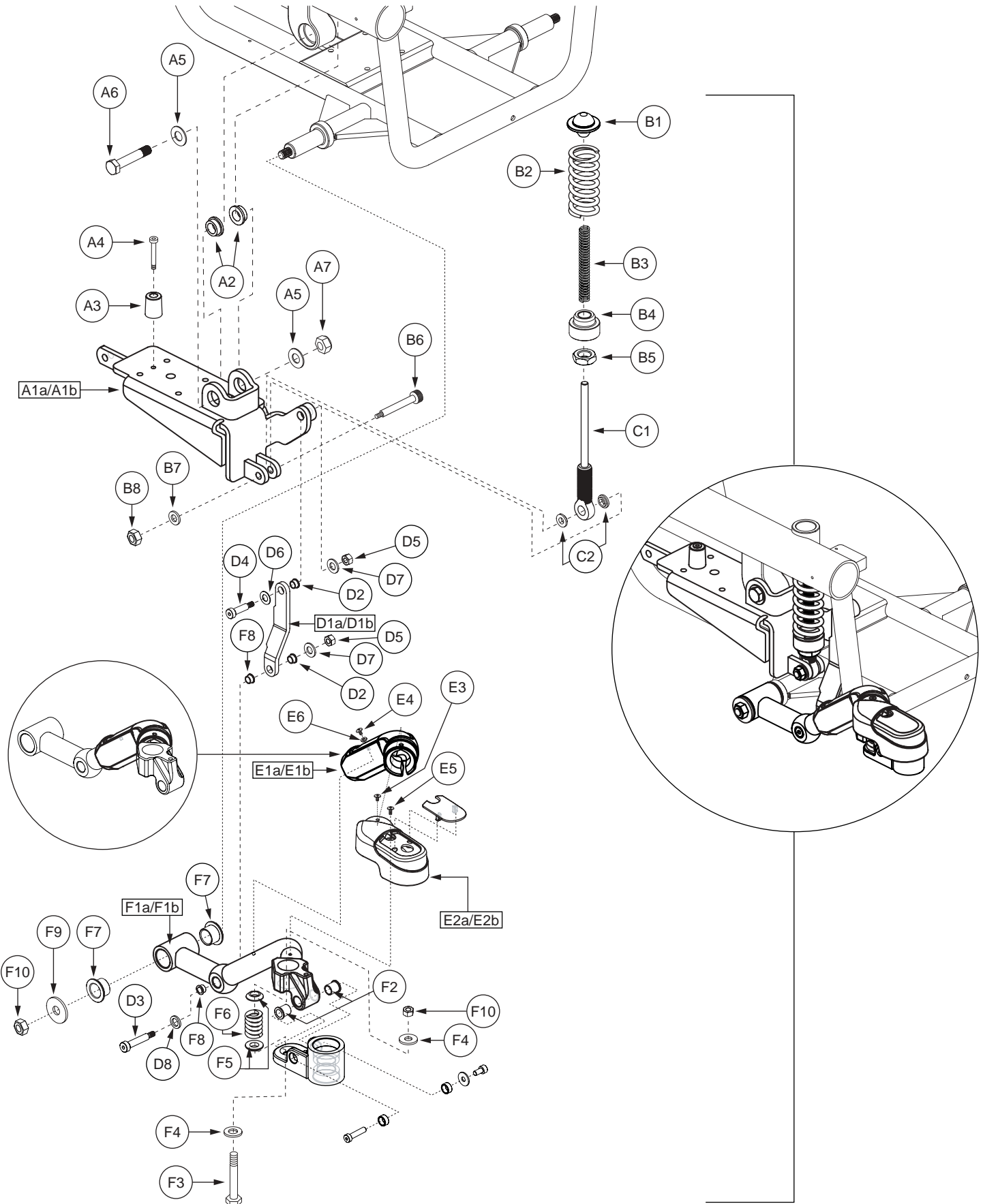
Applicable to Quantum 600 units manufactured prior to Serial Number J5708607001S10. Applicable to Quantum 600E units manufactured prior to Serial Number J7808607001S10. Top-level assemblies will include components designated with corresponding lower-case letters. Parts without lower-case letters will be included in all top-level assemblies. For all items with an "*", refer to SECTION II. Anti-tip - Front Caster, Glide for the illustration and parts list.



**Note: Right side shown. If an item has no callout, it is being shown for assembly purposes.*

REF #	PART #	DESCRIPTION	QTY	Dealer \$	MSRP	11i
A1a — H1a	FRMASMB11151	ANTI-TIP,ASSY,ACTIVE-TRACK,RIGHT,QUANTUM600HS	1	\$221.55	\$564.95	
A1b — H1b	FRMASMB11152	ANTI-TIP,ASSY,ACTIVE-TRACK,LEFT,QUANTUM600HS	1	\$221.55	\$564.95	
A1a — A7	FRMASMB8024	ANTI-TIP,ASSY,ACTIVE TRACK,W/MOTOR MOUNT,JAZZY600,RIGHT	1	\$46.2	\$117.81	
A1b — A7	FRMASMB8025	ANTI-TIP,ASSY,ACTIVE TRACK,W/MOTOR MOUNT,JAZZY600,LEFT	1	\$46.2	\$117.81	
A1a	DWR1056E044	ACTIVE TRAC/MOTOR MOUNT BRACKET WELDMENT,RIGHT,E-1056-044	1	N/A	N/A	
A1b	DWR1056E043	ACTIVE TRAC/MOTOR MOUNT BRACKET WELDMENT,LEFT,E-1056-043	1	N/A	N/A	
A2	DWR1056B065	BUSHING,FLANGE,BLACK ZINC,STEEL,12MM ID X 18MM OD X 8.25MM TH X 22MM FOD X 2.75MM FTH,B-1056-065	2	\$1.05	\$2.68	
A3	DWR1056B062	BUMPER,BLACK,RUBBER,6.5MM ID X 25MM OD X 32MM TH,SHORE 90 A,B-1056-062	1	\$1.05	\$2.68	
A4	SCRSHCS1015	SCREW,SHCS,BLACK ZINC,M6-1.0 X 30MM,GRADE 12.9	1	\$1.05	\$2.68	
A5	WASMETR1050	WASHER,FLAT,BLACK ZINC,13MM ID X 24MM OD X 2.5MM TH	2	\$1.05	\$2.68	
A6	SCRHHCS1330	SCREW, HHCS,BLACK ZINC,M12-1.75 X 65MM,GRADE 12.9,C-1005-003	1	\$1.05	\$2.68	
A7	NUTNYLK1066	NUT,NYLOCK,BLACK ZINC,M12-1.25,GRADE 8,(MTS: 53212007)	1	\$1.05	\$2.68	
B1 — C2	FRMASMB8000	STRUT,ASSY,FRONT SUSPENSION,JAZZY600,C-1056-056	1	\$37.8	\$96.39	
B1	DWR1056C020	BALL PIVOT,C-1056-020	1	\$5.25	\$13.39	
B2	DWR1056B061	SPRING,BLACK,3.00" FL X 1.390" OD X 0.195" WIRE DIA X RATE: 220 LBS/IN,B-1056-061	1	\$11.55	\$29.45	
B3	DWR1056B034	SPRING,BLACK,3.25" L X 0.75" OD X 0.060" WIRE DIA X RATE 6.9,B-1056-034	1	\$4.2	\$10.71	
B4	DWR1056B060	ADJUSTMENT COLLAR,ACTIVE-TRACK STRUT,B-1056-060	1	\$4.2	\$10.71	
B5	NUTJAM1027	NUT,JAM,BLACK ZINC,M16-1.5,A-1005-006	1	\$1.05	\$2.68	
B6	BLTASHL1088	BOLT,SHOULDER,M8 X 25MM,GRADE 12.9,C-1056-026	1	\$1.05	\$2.68	
B7	WASMETR1033	WASHER,FLAT,BLACK ZINC,6.4MM ID X 12MM OD X 1.6MM TH,METRIC,GB96-6	1	\$1.05	\$2.68	
B8	NUTNYLK1019	NUT,NYLOCK,BLACK ZINC,M6-1.0	1	\$1.05	\$2.68	
C1 — C2	FRMASMB7098	STRUT,ASSY,ACTIVE TRAC,W/BUSHING,C-1056-032	1	\$11.55	\$29.45	
C1	DWR1056C013	STRUT WELDMENT,ACTIVE TRAC,C-1056-013	1	\$10.5	\$26.78	
C2	DWR1056B037	BEARING,FLANGE,OIL IMPREGNATED BRONZE,8MM ID X 12MM OD X 6MM TH X 16MM FOD X 2MM FTH,B-1056-037	2	\$1.05	\$2.68	
D1a — D8	FRMASMB7990	ANTI-TIP,ASSY,TRANSFER LINK,ACTIVE-TRACK,RIGHT,B-1056-053	1	\$11.55	\$29.45	
D1b — D8	FRMASMB7989	ANTI-TIP,ASSY,TRANSFER LINK,ACTIVE-TRACK,LEFT,B-1056-054	1	\$11.55	\$29.45	
D1a	DWR1056C046	TRANSFER LINK,ACTIVE-TRACK,RIGHT,C-1056-046	1	\$5.25	\$13.39	
D1b	DWR1056C047	TRANSFER LINK,ACTIVE-TRACK,LEFT,C-1056-047	1	\$5.25	\$13.39	
D2	BRGFLNG1044	BEARING,FLANGE,BLACK,DELFIN,10MM ID X 13MM OD X 8MM TH X 16MM FOD X 1.50MM FTH,B-1056-046	2	\$1.05	\$2.68	
D3	BLTASHL1146	BOLT,SHOULDER,BLACK ZINC,M10 X 30MM,GRADE 12.9,B-1005-014	1	\$1.05	\$2.68	
D4	BLTASHL1150	BOLT,SHOULDER,10MM X 25MM,CUSTOM THREAD LENGTH,C-1056-059	1	\$1.05	\$2.68	
D5	NUTNYLK1085	NUT,NYLOCK,BLACK ZINC CHROMATE,M8-1.25,GRADE 8	2	\$1.05	\$2.68	
D6	WASNYLN1114	WASHER,BLACK,NYLON,10.5MM ID X 20MM OD X 1MM TH,B-1005-027	1	\$1.05	\$2.68	
D7	WASMETR1029	WASHER,FLAT,BLACK ZINC,8.4MM ID X 16MM OD X 1.6MM TH,METRIC,GB96-8	2	\$1.05	\$2.68	
D8	DWR1005B028	WASHER,BLACK NYLON,10.5MM ID X 16MM OD X 2.2MM TH,B-1005-028	1	\$1.05	\$2.68	
E1a — H1a	FRMASMB8026	ANTI-TIP,ASSY,ARM,W/CASTER BARREL,WHEEL,ACTIVE-TRACK,FRONT/RIGHT	1	\$126	\$321.3	
E1b — H1b	FRMASMB8027	ANTI-TIP,ASSY,ARM,W/CASTER BARREL,WHEEL,ACTIVE-TRACK,FRONT/LEFT	1	\$126	\$321.3	
E1a	DWR1056E039	COVER,CASTER ARM,FOAM,RIGHT,E-1056-039	1	\$4.2	\$10.71	
E1b	DWR1056E040	COVER,CASTER ARM,FOAM,LEFT,E-1056-040	1	\$4.2	\$10.71	

The parts list is continued on the subsequent pages.



**Note: Right side shown. If an item has no callout, it is being shown for assembly purposes.*

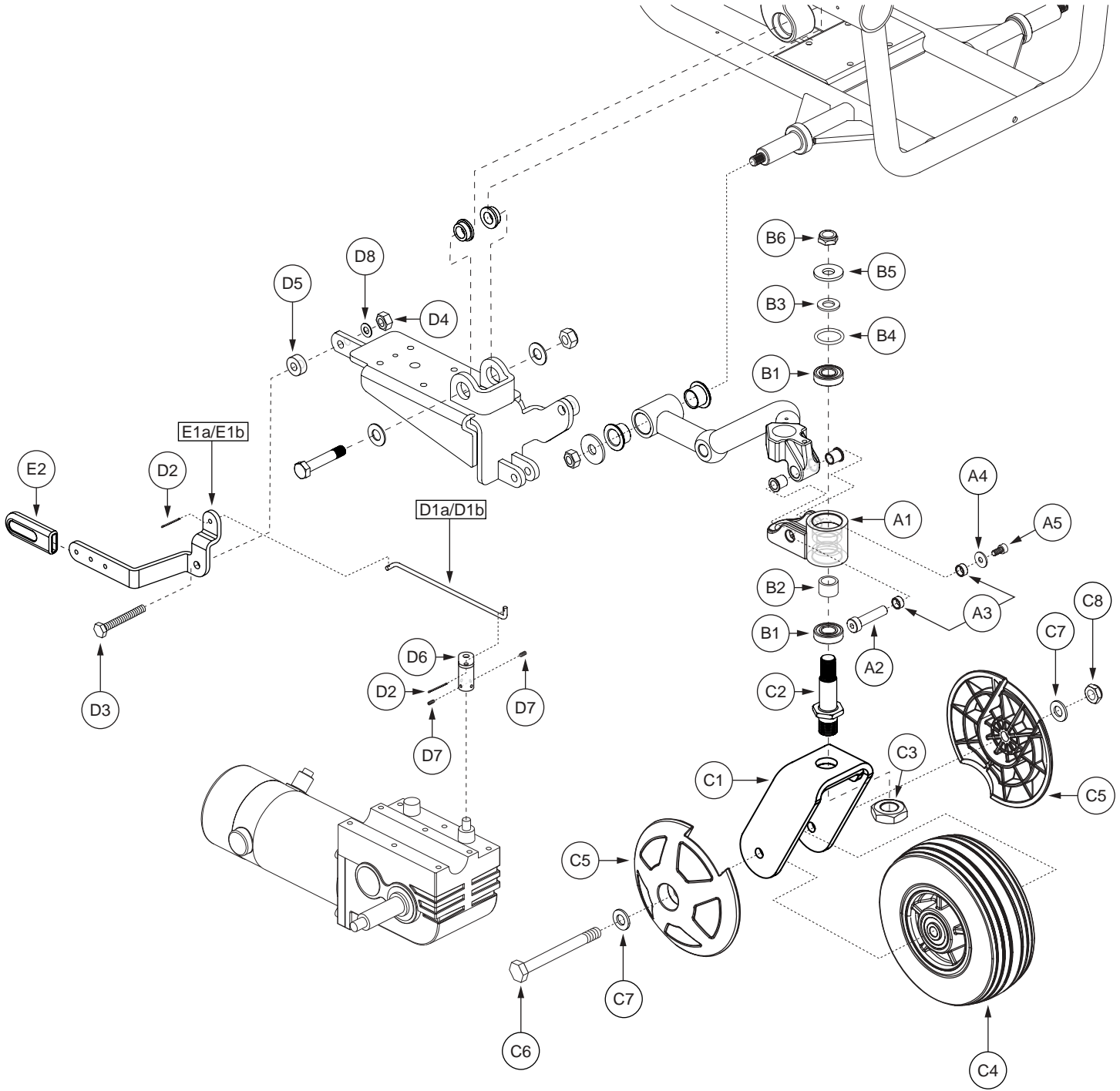
The parts list is continued from the previous pages.

REF #	PART #	DESCRIPTION	QTY	Dealer \$	MSRP	11i
E2a	DWR1056E037	COVER,CASTER ARM,PLASTIC,RIGHT,E-1056-037	1	\$3.15	\$8.03	
E2b	DWR1056E038	COVER,CASTER ARM,PLASTIC,LEFT,E-1056-038	1	\$3.15	\$8.03	
E3	SCRPPH1129	SCREW, PPH,BLACK,M4-.7 X 12MM	1	\$1.05	\$2.68	
E4	SCRPPH1036	SCREW, PPH,BLACK ZINC,M4-.7 X 8MM	1	\$1.05	\$2.68	
E5	SCRPPH1296	SCREW, PPH,BLACK ZINC,M6-1.0 X 10MM	1	\$1.05	\$2.68	
E6	WASMETR1042	WASHER,FLAT,BLACK ZINC,4.3MM ID X 12MM OD X 1MM TH,METRIC,GB96-4	1	\$1.05	\$2.68	
F1a — G1a	FRMASMB10492	ANTI-TIP,ASSY,ARM,REINFORCED,W/CASTER BARREL,ACTIVE-TRACK,FRONT/RIGHT,JAZZY/QUANTUM600,D-1056-046	1	\$62.77	\$160.07	
F1b — G1b	FRMASMB10491	ANTI-TIP,ASSY,ARM,REINFORCED,W/CASTER BARREL,ACTIVE-TRACK,FRONT/LEFT,JAZZY/QUANTUM600,D-1056-045	1	\$62.92	\$160.46	
F1a	DWR1056D021	ANTI-TIP ARM WELDMENT,ACTIVE-TRACK,FRONT/RIGHT,D-1056-021	1	\$50.4	\$128.52	
F1b	DWR1056D022	ANTI-TIP ARM WELDMENT,ACTIVE-TRACK,FRONT/LEFT,D-1056-022	1	\$50.4	\$128.52	
F2	BRGFLNG1046	BEARING, FLANGE,DELRIN,10MM ID X 13MM OD X 15MM TH X 16MM FOD X 1.5MM FTH,B-1056-063	2	\$1.05	\$2.68	
F3	SCRHHCS1444	SCREW,HHCS,BLACK ZINC,M10-1.5 X 50MM,GRADE 10.9,B-1005-118	1	\$1.05	\$2.68	
F4	DWR1056B066	WASHER,FLAT,BLACK ZINC,10.5MM ID X 20MM OD X 3MM TH,B-1056-066	2	\$1.05	\$2.68	
F5	DWR1056B049	SPRING PIVOT,MUSHROOM,FRONT,B-1056-049	2	\$1.05	\$2.68	
F6	DWR1056B056	SPRING,BLACK,1.00" FL X 0.730" OD X 0.148" WIRE DIA X RATE: 1150 LBS/IN,B-1056-056,(LEE SPRING: LHL-750D-1)	1	\$1.05	\$2.68	
F7	BRGFLNG1045	BEARING, FLANGE,DELRIN,19MM ID X 23MM OD X 16MM TH X 32MM FOD X 2MM FTH,B-1056-050	2	\$1.05	\$2.68	
F8	BRGFLNG1044	BEARING,FLANGE,BLACK,DELRIN,10MM ID X 13MM OD X 8MM TH X 16MM FOD X 1.50MM FTH,B-1056-046	2	\$1.05	\$2.68	
F9	WASMETR1043	WASHER,FLAT,BLACK ZINC,10.5MM ID X 30MM OD X 2.5MM TH,METRIC,GB97-10	1	\$1.05	\$2.68	
F10	NUTNYLK1073	NUT,NYLOCK,BLACK ZINC,M10-1.5,GRADE 8	2	\$1.05	\$2.68	
*G1a	FRMASMB10549	CASTER,ASSY,BARREL,ACTIVE-TRACK,FRONT/RIGHT,JAZZY/QUANTUM600/610,C-1202-007	1	\$31.5	\$80.33	
*G1b	FRMASMB10550	CASTER,ASSY,BARREL,ACTIVE-TRACK,FRONT/LEFT,JAZZY/QUANTUM600/610,C-1202-008	1	\$31.5	\$80.33	
*H1a	FRMASMB10514	CASTER,ASSY,FLAT FREE,5" WHEEL,W/FORK & COVERS,RIGHT,E-1202-001	1	\$42.84	\$109.24	
*H1b	FRMASMB10515	CASTER,ASSY,FLAT FREE,5" WHEEL,W/FORK & COVERS,LEFT,E-1202-002	1	\$42.84	\$109.24	

Notes :

Top-level assemblies will include components designated with corresponding lower-case letters. Parts without lower-case letters will be included in all top-level assemblies. For all items with an "*", refer to SECTION II. Anti-tip — Front Caster, H2 for the illustration and parts list.

Applicable to Serial Number J5708607001S10 and subsequent for Quantum 600 units. Applicable to Serial Number J7808607001S10 and subsequent for Quantum 600E units.

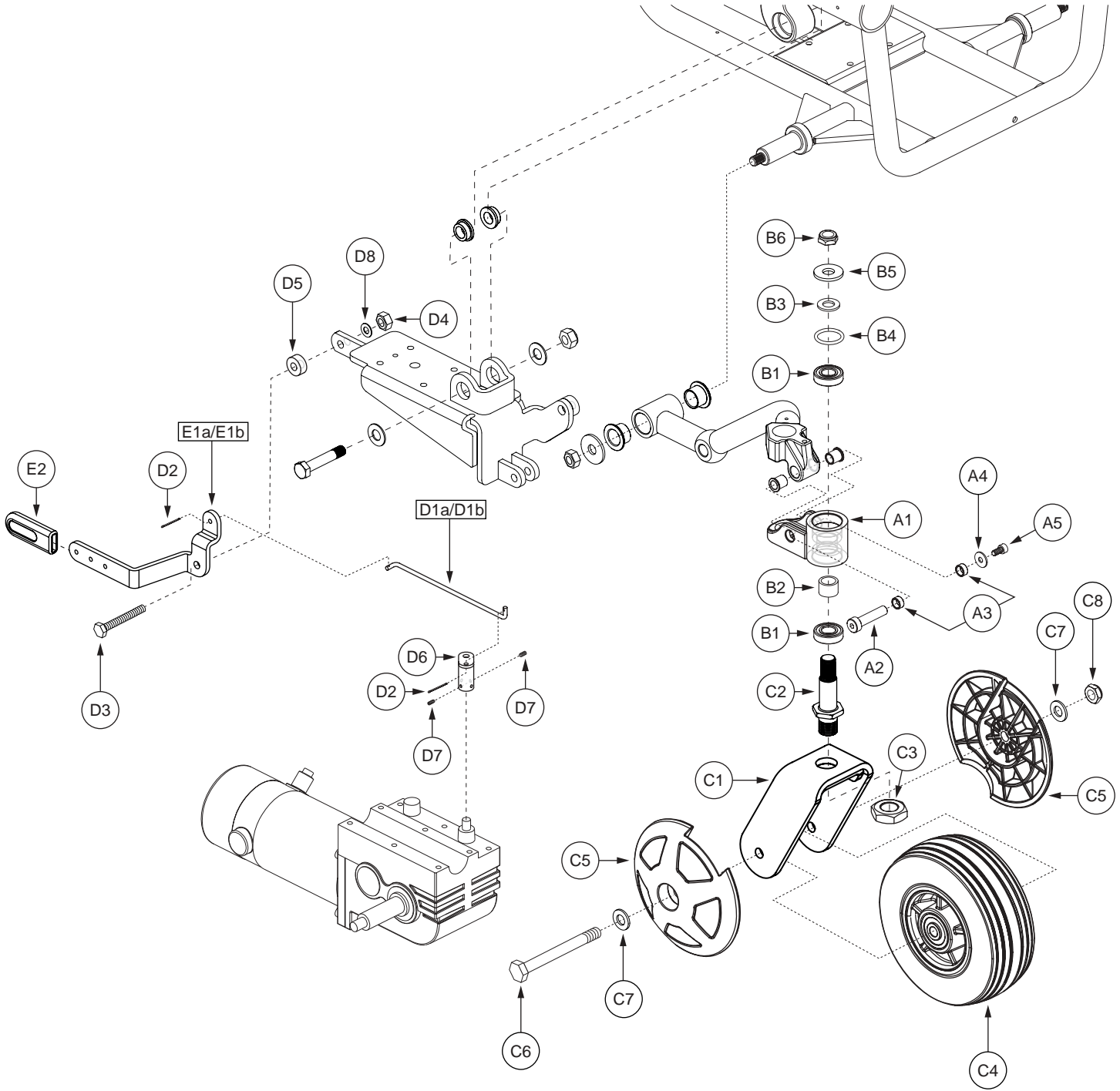


**Note: Right side shown. If an item has no callout, it is being shown for assembly purposes.*

REF #	PART #	DESCRIPTION	QTY	Dealer \$	MSRP	11i
*A1 — B6	FRMASMB10549	CASTER,ASSY,BARREL,ACTIVE- TRACK,FRONT/RIGHT,JAZZY/QUANTUM600/610,C-1202-007	1	\$31.5	\$80.33	
*A1 — B6	FRMASMB10550	CASTER,ASSY,BARREL,ACTIVE- TRACK,FRONT/LEFT,JAZZY/QUANTUM600/610,C-1202-008	1	\$31.5	\$80.33	
A1	DWR1056C041	CASTER,BARREL WELDMENT,FRONT,C-1056-041	1	\$25.2	\$64.26	
A2	DWR1056C042	PIVOT SHAFT,CASTER SUSPENSION,FRONT,C-1056-042	1	\$3.15	\$8.03	
A3	BSHSLV1015	BUSHING,SLEEVE,DELTRIN,10MM ID X 13MM OD X 6MM TH,B-1056-048	2	\$1.05	\$2.68	
A4	WASMETR1095	WASHER,FLAT,BLACK ZINC,6.4MM ID X 18MM OD X 1.6MM TH,B-1005-025	1	\$1.05	\$2.68	
A5	SCRSHCS1169	SCREW, SHCS,BLACK ZINC,M6-1.0 X 12MM,GRADE 12.9	1	\$1.05	\$2.68	
B1 — B6	HDWASMB1090	ANTI-FLUTTER KIT,FRONT CASTER,JAZZY,B-1005-138	1	\$3.02	\$7.71	
B1	DWR1005B132	BEARING, BALL, 15.0MM ID X 32.0MM OD X 9.0MM TH,ABEC-1,B-1005-132,(6002-2RS DOUBLE SEAL)	2	\$1.76	\$4.5	
B2	DWR1005B135	SPACER,BLACK ZINC,STEEL,16MM ID X 21MM OD X 14.5MM TH,B-1005-135	1	\$.45	\$1.16	
B3	DWR1101A001	SHIM,BRIGHT ZINC,STEEL,13MM ID X 24MM OD X 2.16MM TH,A-1101-001	1	\$1.05	\$2.68	
B4	DWR1101A013	O-RING,NEOPRENE,25.4MM ID X 31.8MM OD,A-1101-013	1	\$1.05	\$2.68	
B5	DWR1101A003	SPACER,BRIGHT ZINC,STEEL,13MM ID X 31.5MM OD X 3.18MM TH,A-1101-003	1	\$1.05	\$2.68	
B6	NUTNJAM1018	NUT,NYLOCK JAM,BLACK ZINC,1/2-20	1	\$1.05	\$2.68	
*C1 — C8	FRMASMB10514	CASTER,ASSY,FLAT FREE,5" WHEEL,W/FORK & COVERS,RIGHT,E-1202-001	1	\$42.84	\$109.24	
*C1 — C8	FRMASMB10515	CASTER,ASSY,FLAT FREE,5" WHEEL,W/FORK & COVERS,LEFT,E-1202-002	1	\$42.84	\$109.24	
C1	DWR1202C002	FORK,WELDMENT,5",CASTER,C-1202-002	1	\$5.92	\$15.1	
C2	DWR1005C032	PIVOT STUD,CASTER FORK,BLACK,M16-1.5 (TOP),1/2-20 (BOTTOM) X 74.18MM,FRONT,C-1005-032	1	\$1.94	\$4.95	
C3	NUTJAM1027	NUT,JAM,BLACK ZINC,M16-1.5,A-1005-006	1	\$1.05	\$2.68	
C4	WHLASMB1745	WHEEL,ASSY,CASTER,FLAT FREE,BLACK RIM/GRAY TIRE,5" X 1.75",W/BEARINGS & SPACER,E-1202-008	1	\$17.04	\$43.44	
C5	DWR1202C012	COVER,CASTER BALL,SLIM,5" WHEEL,C-1202-012	2	\$5.25	\$13.39	
C6	SCRHHCS1384	SCREW,HHCS,BLACK ZINC,M8-1.25 X 80MM,GRADE 12.9	1	\$1.05	\$2.68	
C7	WASMETR1029	WASHER,FLAT,BLACK ZINC,8.4MM ID X 16MM OD X 1.6MM TH,METRIC,GB96-8	2	\$1.05	\$2.68	
C8	NUTNJAM1020	NUT,NYLOCK JAM,BLACK ZINC,M8-1.25	1	\$1.05	\$2.68	
D1a — E2	FRMASMB6925	FREEWHEEL,ASSY,RELEASE,JAZZY600,RIGHT	1	\$12.6	\$32.13	
D1b — E2	FRMASMB6926	FREEWHEEL,ASSY,RELEASE,JAZZY600,LEFT	1	\$12.6	\$32.13	
D1a	DWR1056B025	FREEWHEEL,RELEASE ROD,RIGHT,B-1056-025	1	\$1.89	\$4.82	
D1b	DWR1056B011	FREEWHEEL,RELEASE ROD,LEFT,B-1056-011	1	\$1.89	\$4.82	
D2	PINSOTR1000	PIN, COTTER,ZINC PLATED,1/16" X 1"	2	\$1.05	\$2.68	
D3	SCRHHCS1288	SCREW,HHCS,BLACK ZINC,M8-1.25 X 25MM,GRADE 10.9	1	\$1.05	\$2.68	
D4	NUTNYLK1011	NUT,NYLOCK,BLACK ZINC,M8-1.25	1	\$1.05	\$2.68	
D5	WASNYLN1066	WASHER,BLACK,NYLON,8MM ID X 22MM OD X 3MM TH	1	\$1.05	\$2.68	
D6	DWR1054B034	FREEWHEEL,MOTOR RELEASE LEVER WELDMENT,B-1054-034	1	\$1.05	\$2.68	
D7	SCRSETS1102	SCREW,SET,M6-1.0 X 6MM,CUP POINT,W/NYLON PATCH	2	\$1.05	\$2.68	
D8	WASNYLN1040	WASHER,NYLON,0.3437" ID X 0.75" OD X 0.0312" TH	1	\$1.05	\$2.68	
E1a — E2	FRMASMB8523	FREEWHEEL,ASSY,RELEASE LEVER,RIGHT,W/COVER,JAZZY600,C-1056-063	1	\$6.3	\$16.07	
E1b — E2	FRMASMB8524	FREEWHEEL,ASSY,RELEASE LEVER,LEFT,W/COVER,JAZZY600,C-1056-064	1	\$6.3	\$16.07	
E1a	DWR1056D035	FREEWHEEL,LEVER,5MM TH,RIGHT,D-1056-035	1	\$6.3	\$16.07	
E1b	DWR1056D036	FREEWHEEL,LEVER,5MM TH,LEFT,D-1056-036	1	\$6.3	\$16.07	

The parts list is continued on the subsequent pages.

Applicable to Serial Number J5708607001S10 and subsequent for Quantum 600 units. Applicable to Serial Number J7808607001S10 and subsequent for Quantum 600E units.



**Note: Right side shown. If an item has no callout, it is being shown for assembly purposes.*

The parts list is continued from the previous pages.

REF #	PART #	DESCRIPTION	QTY	Dealer \$	MSRP	11i
E2	DWR1056B069	COVER,FREEWHEEL RELEASE LEVER,B-1056-069	1	\$5.04	\$12.85	

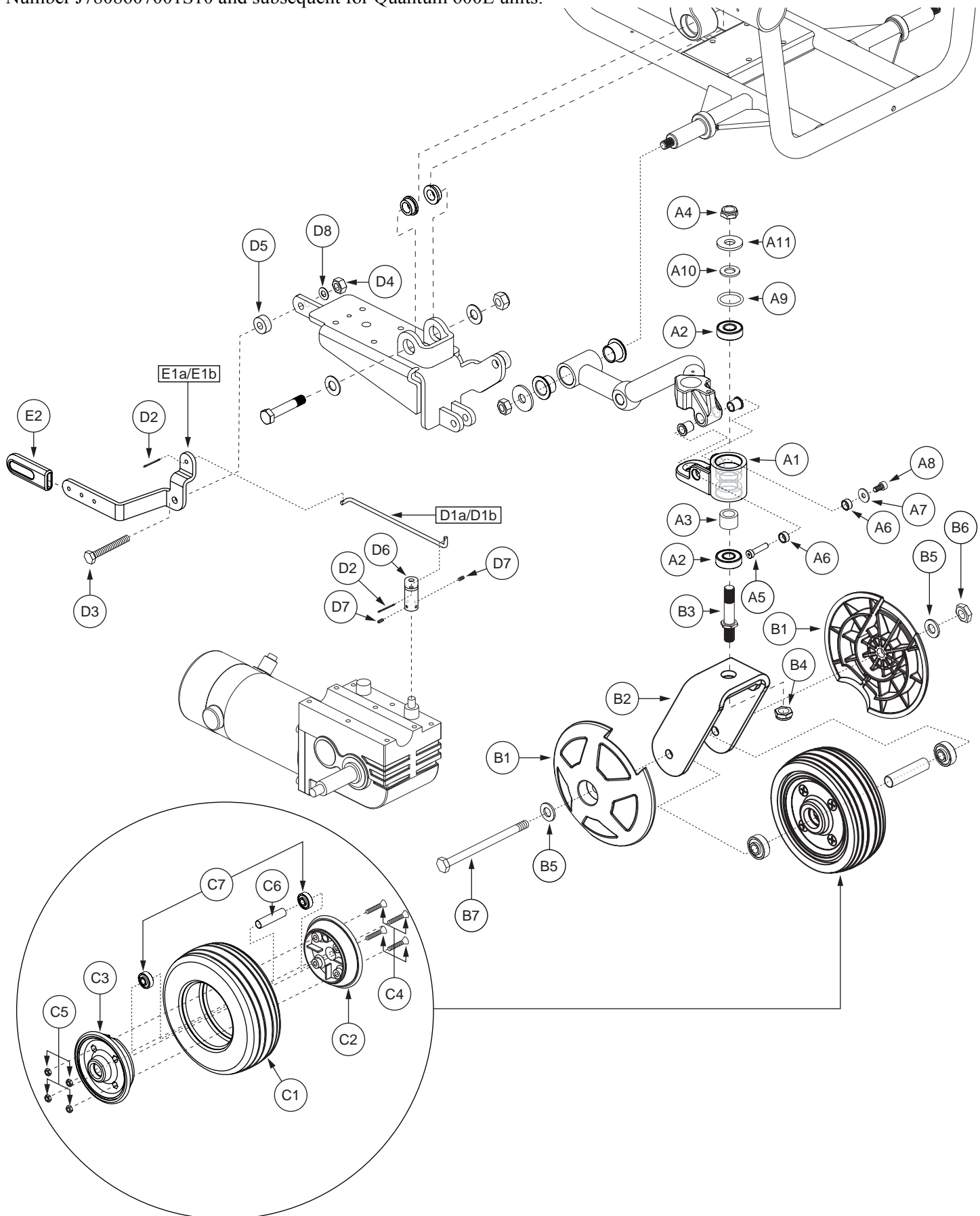
Notes :

Applicable to Serial Number J5708607001S10 and subsequent for Quantum 600 units. Applicable to Serial Number J7808607001S10 and subsequent for Quantum 600E units. Top-level assemblies will include components designated with corresponding lower-case letters. Parts without lower-case letters will be included in all top-level assemblies.

*A1 — B6 Both assemblies contain identical parts. There are right and left sides for assembly purposes.

*C1 — C8 Both assemblies contain identical parts. There are right and left sides for assembly purposes.

Applicable prior to Serial Number J5708607001S10 and subsequent for Quantum 600 units. Applicable prior to Serial Number J7808607001S10 and subsequent for Quantum 600E units.

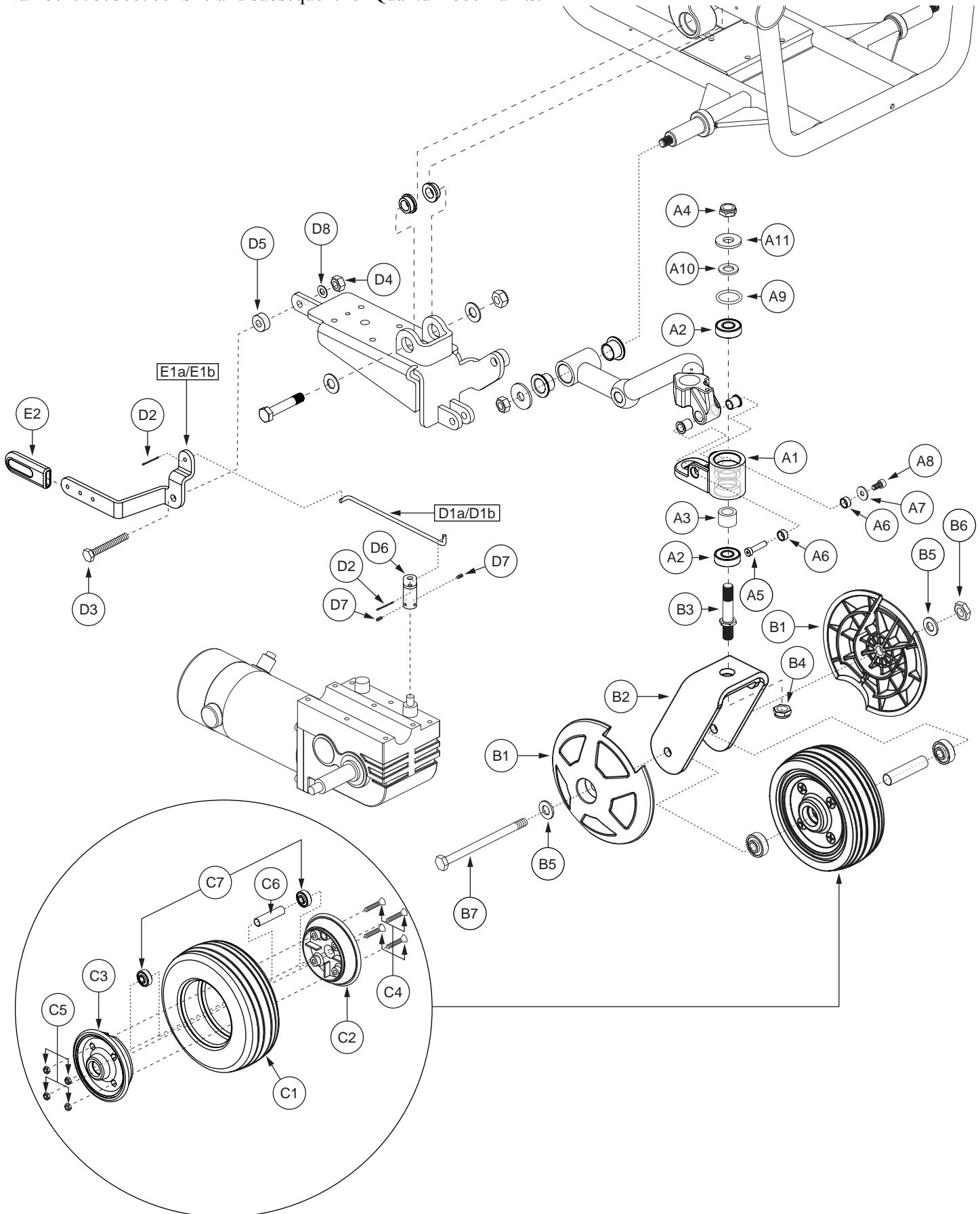


***Note:** Right side shown. If an item has no callout, it is being shown for assembly purposes.

REF #	PART #	DESCRIPTION	QTY	Dealer \$	MSRP	11i
*A1 — A11	FRMASMB7994	CASTER,ASSY,BARREL,ACTIVE-TRACK,FRONT/RIGHT,C-1056-043	1	\$48.3	\$123.17	
*A1 — A11	FRMASMB7993	CASTER,ASSY,BARREL,ACTIVE-TRACK,FRONT/LEFT,C-1056-044	1	\$48.3	\$123.17	
A1	DWR1056C041	CASTER,BARREL WELDMENT,FRONT,C-1056-041	1	\$25.2	\$64.26	
A2	DWR1101A011	BEARING,SLEEVE,0.50"ID X 32MM OD X 0.394"TH,A-1101-011,(NGK: 6201-2RS-8)	2	\$7.35	\$18.74	
A3	DWR1056B047	SPACER,STEEL,14MM ID X 21MM OD X 15MM TH,B-1056-047	1	\$1.05	\$2.68	
A4	NUTNJAM1018	NUT,NYLOCK JAM,BLACK ZINC,1/2-20	1	\$1.05	\$2.68	
A5	DWR1056C042	PIVOT SHAFT,CASTER SUSPENSION,FRONT,C-1056-042	1	\$3.15	\$8.03	
A6	BSHSLV1015	BUSHING,SLEEVE,DELRLIN,10MM ID X 13MM OD X 6MM TH,B-1056-048	2	\$1.05	\$2.68	
A7	WASMETR1083	WASHER,FLAT,BLACK ZINC,STEEL,6.4MM ID X 18MM OD X 1.6MM TH	1	\$1.05	\$2.68	
A8	SCRSHCS1169	SCREW, SHCS,BLACK ZINC,M6-1.0 X 12MM,GRADE 12.9	1	\$1.05	\$2.68	
A9	DWR1101A013	O-RING,NEOPRENE,25.4MM ID X 31.8MM OD,A-1101-013	1	\$1.05	\$2.68	
A10	DWR1101A001	SHIM,BRIGHT ZINC,STEEL,13MM ID X 24MM OD X 2.16MM TH,A-1101-001	1	\$1.05	\$2.68	
A11	DWR1101A003	SPACER,BRIGHT ZINC,STEEL,13MM ID X 31.5MM OD X 3.18MM TH,A-1101-003	1	\$1.05	\$2.68	
*B1 — C7	FRMASMB7996	CASTER,ASSY,FLAT FREE,5" WHEEL,W/FORK & COVERS,FRONT/RIGHT,E-1056-036	1	\$55.65	\$141.91	
*B1 — C7	FRMASMB7995	CASTER,ASSY,FLAT FREE,5" WHEEL,W/FORK & COVERS,FRONT/LEFT,E-1056-045	1	\$55.65	\$141.91	
B1	DWR1056C065	COVER,CASTER BALL,5" WHEEL,C-1056-065	2	\$5.25	\$13.39	
B2	DWR1056C045	FORK,WELDMENT,CASTER,FRONT,C-1056-045	1	\$11.55	\$29.45	
B3	DWR1056B052	STEM,CASTER PIVOT,1/2-20 X 3.00",B-1056-052	1	\$1.05	\$2.68	
B4	NUTNJAM1018	NUT,NYLOCK JAM,BLACK ZINC,1/2-20	1	\$1.05	\$2.68	
B5	WASMETR1029	WASHER,FLAT,BLACK ZINC,8.4MM ID X 16MM OD X 1.6MM TH,METRIC,GB96-8	2	\$1.05	\$2.68	
B6	NUTNJAM1020	NUT,NYLOCK JAM,BLACK ZINC,M8-1.25	1	\$1.05	\$2.68	
B7	SCRHHCS1384	SCREW,HHCS,BLACK ZINC,M8-1.25 X 80MM,GRADE 12.9	1	\$1.05	\$2.68	
C1 — C7	WHLASMB1627	WHEEL,ASSY,CASTER,FLAT FREE,5",W/BEARINGS & SPACER,C-1056-052	1	N/A	N/A	
C1	TIRSOLI1072	TIRE,FLAT FREE,GRAY,5" X 1.75",SOLID,PRIMO	1	N/A	N/A	
C2	WHLRIMS1171	WHEEL,RIM,PLASTIC,77MM X 22MM,FRONT, BOLT SIDE	1	N/A	N/A	
C3	WHLRIMS1172	WHEEL,RIM,PLASTIC,77MM X 22MM,FRONT, NUT SIDE	1	N/A	N/A	
C4	SCRPFH1036	SCREW,PFH,ZINC,M6-1.0 X 30MM	4	\$1.05	\$2.68	
C5	NUTNYLK1045	NUT,NYLOCK,ZINC,M6-1.0	4	\$1.05	\$2.68	
C6	DWR1010B050	SPACER, STEEL,BLACK ZINC,9.00MM ID X 12.00MM OD X 46.50MM TH,B-1010-050	1	\$2.1	\$5.36	
C7	BRGSLV1055	BEARING, BALL,8MM ID X 22MM OD X 7MM TH,W/ EXTENDED INNER RACE 9MM,(608RS-DOUBLE SEAL)	2	\$1.05	\$2.68	
D1a — E2	FRMASMB6925	FREEWHEEL,ASSY,RELEASE,JAZZY600,RIGHT	1	\$12.6	\$32.13	
D1b — E2	FRMASMB6926	FREEWHEEL,ASSY,RELEASE,JAZZY600,LEFT	1	\$12.6	\$32.13	
D1a	DWR1056B025	FREEWHEEL,RELEASE ROD,RIGHT,B-1056-025	1	\$1.89	\$4.82	
D1b	DWR1056B011	FREEWHEEL,RELEASE ROD,LEFT,B-1056-011	1	\$1.89	\$4.82	
D2	PINSOTR1000	PIN, COTTER,ZINC PLATED,1/16" X 1"	2	\$1.05	\$2.68	
D3	SCRHHCS1288	SCREW,HHCS,BLACK ZINC,M8-1.25 X 25MM,GRADE 10.9	1	\$1.05	\$2.68	
D4	NUTNYLK1011	NUT,NYLOCK,BLACK ZINC,M8-1.25	1	\$1.05	\$2.68	
D5	WASNYLN1066	WASHER,BLACK,NYLON,8MM ID X 22MM OD X 3MM TH	1	\$1.05	\$2.68	
D6	DWR1054B034	FREEWHEEL,MOTOR RELEASE LEVER WELDMENT,B-1054-034	1	\$1.05	\$2.68	
D7	SCRSETS1102	SCREW,SET,M6-1.0 X 6MM,CUP POINT,W/NYLON PATCH	2	\$1.05	\$2.68	
D8	WASNYLN1040	WASHER,NYLON,0.3437" ID X 0.75" OD X 0.0312" TH	1	\$1.05	\$2.68	

The parts list is continued on the subsequent pages.

Applicable prior to Serial Number J5708607001S10 and subsequent for Quantum 600 units. Applicable prior to Serial Number J7808607001S10 and subsequent for Quantum 600E units.



***Note:** Right side shown. If an item has no callout, it is being shown for assembly purposes.

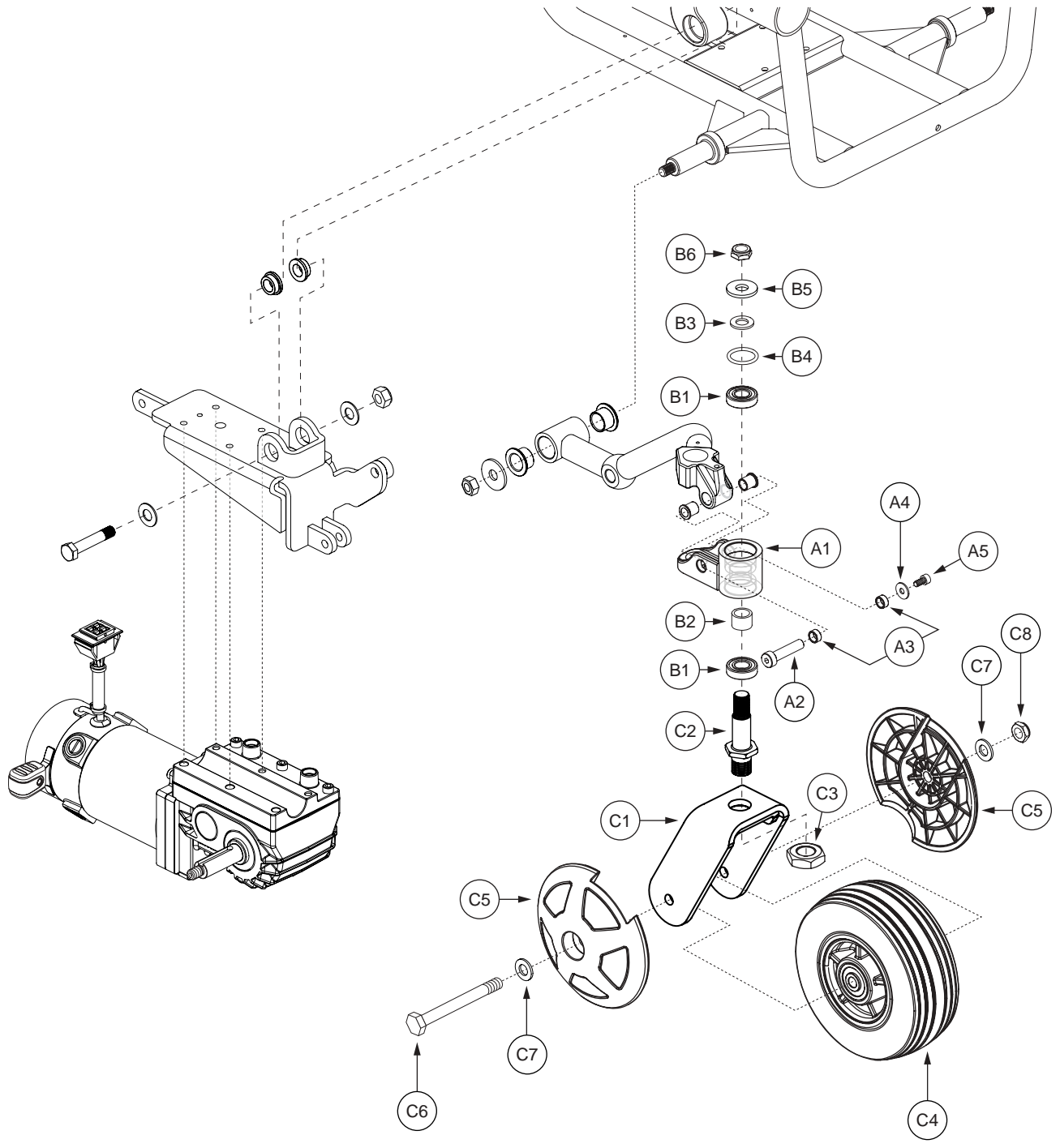
The parts list is continued from the previous pages.

REF #	PART #	DESCRIPTION	QTY	Dealer \$	MSRP	11i
E1a — E2	FRMASMB8523	FREEWHEEL,ASSY,RELEASE LEVER,RIGHT,W/COVER,JAZZY600,C-1056-063	1	\$6.3	\$16.07	
E1b — E2	FRMASMB8524	FREEWHEEL,ASSY,RELEASE LEVER,LEFT,W/COVER,JAZZY600,C-1056-064	1	\$6.3	\$16.07	
E1a	DWR1056D035	FREEWHEEL,LEVER,5MM TH,RIGHT,D-1056-035	1	\$6.3	\$16.07	
E1b	DWR1056D036	FREEWHEEL,LEVER,5MM TH,LEFT,D-1056-036	1	\$6.3	\$16.07	
E2	DWR1056B069	COVER,FREEWHEEL RELEASE LEVER,B-1056-069	1	\$5.04	\$12.85	

Notes :

Applicable to Quantum 600 units manufactured prior to Serial Number J5708607001S10. Applicable to Quantum 600E units manufactured prior to Serial Number J7808607001S10. Top-level assemblies will include components designated with corresponding lower-case letters. Parts without lower-case letters will be included in all top-level assemblies.

- *A1 — A11 Both assemblies contain identical parts. There are left and right sides for assembly purposes.
 *B1 — C7 Both assemblies contain identical parts. There are left and right sides for assembly purposes.



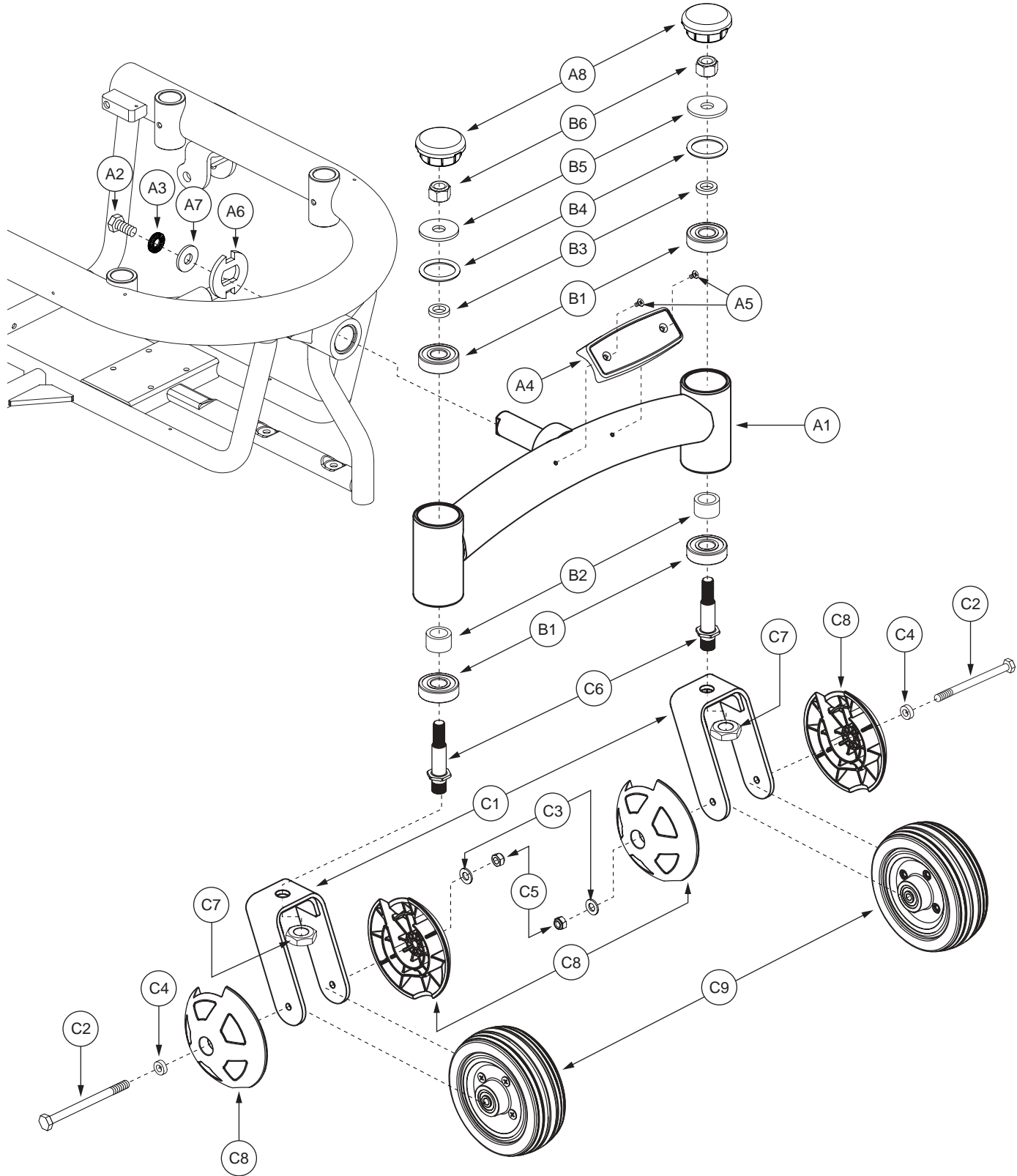
**Note: Right side shown. If an item has no callout, it is being shown for assembly purposes.*

REF #	PART #	DESCRIPTION	QTY	Dealer \$	MSRP	11i
*A1 — B6	FRMASMB10549	CASTER,ASSY,BARREL,ACTIVE- TRACK,FRONT/RIGHT,JAZZY/QUANTUM600/610,C-1202-007	1	\$31.5	\$80.33	
*A1 — B6	FRMASMB10550	CASTER,ASSY,BARREL,ACTIVE- TRACK,FRONT/LEFT,JAZZY/QUANTUM600/610,C-1202-008	1	\$31.5	\$80.33	
A1	DWR1056C041	CASTER,BARREL WELDMENT,FRONT,C-1056-041	1	\$25.2	\$64.26	
A2	DWR1056C042	PIVOT SHAFT,CASTER SUSPENSION,FRONT,C-1056-042	1	\$3.15	\$8.03	
A3	BSHSLV1015	BUSHING,SLEEVE,DELTRIN,10MM ID X 13MM OD X 6MM TH,B-1056-048	2	\$1.05	\$2.68	
A4	WASMETR1095	WASHER,FLAT,BLACK ZINC,6.4MM ID X 18MM OD X 1.6MM TH,B-1005-025	1	\$1.05	\$2.68	
A5	SCRSHCS1169	SCREW, SHCS,BLACK ZINC,M6-1.0 X 12MM,GRADE 12.9	1	\$1.05	\$2.68	
B1 — B6	HDWASMB1090	ANTI-FLUTTER KIT,FRONT CASTER,JAZZY,B-1005-138	1	\$3.02	\$7.71	
B1	DWR1005B132	BEARING, BALL,15.0MM ID X 32.0MM OD X 9.0MM TH,ABEC-1,B-1005-132,(6002-2RS DOUBLE SEAL)	2	\$1.76	\$4.5	
B2	DWR1005B135	SPACER,BLACK ZINC,STEEL,16MM ID X 21MM OD X 14.5MM TH,B-1005-135	1	\$0.45	\$1.16	
B3	DWR1101A001	SHIM,BRIGHT ZINC,STEEL,13MM ID X 24MM OD X 2.16MM TH,A-1101-001	1	\$1.05	\$2.68	
B4	DWR1101A013	O-RING,NEOPRENE,25.4MM ID X 31.8MM OD,A-1101-013	1	\$1.05	\$2.68	
B5	DWR1101A003	SPACER,BRIGHT ZINC,STEEL,13MM ID X 31.5MM OD X 3.18MM TH,A-1101-003	1	\$1.05	\$2.68	
B6	NUTNJAM1018	NUT,NYLOCK JAM,BLACK ZINC,1/2-20	1	\$1.05	\$2.68	
*C1 — C8	FRMASMB10514	CASTER,ASSY,FLAT FREE,5" WHEEL,W/FORK & COVERS,RIGHT,E-1202-001	1	\$42.84	\$109.24	
*C1 — C8	FRMASMB10515	CASTER,ASSY,FLAT FREE,5" WHEEL,W/FORK & COVERS,LEFT,E-1202-002	1	\$42.84	\$109.24	
C1	DWR1202C002	FORK,WELDMENT,5",CASTER,C-1202-002	1	\$5.92	\$15.1	
C2	DWR1005C032	PIVOT STUD,CASTER FORK,BLACK,M16-1.5 (TOP),1/2-20 (BOTTOM) X 74.18MM,FRONT,C-1005-032	1	\$1.94	\$4.95	
C3	NUTJAM1027	NUT,JAM,BLACK ZINC,M16-1.5,A-1005-006	1	\$1.05	\$2.68	
C4	WHLASMB1745	WHEEL,ASSY,CASTER,FLAT FREE,BLACK RIM/GRAY TIRE,5" X 1.75",W/BEARINGS & SPACER,E-1202-008	1	\$17.04	\$43.44	
C5	DWR1202C012	COVER,CASTER BALL,SLIM,5" WHEEL,C-1202-012	2	\$5.25	\$13.39	
C6	SCRHHCS1384	SCREW,HHCS,BLACK ZINC,M8-1.25 X 80MM,GRADE 12.9	1	\$1.05	\$2.68	
C7	WASMETR1029	WASHER,FLAT,BLACK ZINC,8.4MM ID X 16MM OD X 1.6MM TH,METRIC,GB96-8	2	\$1.05	\$2.68	
C8	NUTNJAM1020	NUT,NYLOCK JAM,BLACK ZINC,M8-1.25	1	\$1.05	\$2.68	

Notes :

*A1 — B6 Both assemblies contain identical parts. There are right and left sides for assembly purposes.
 *C1 — C8 Both assemblies contain identical parts. There are right and left sides for assembly purposes.

Applicable to Serial Number J5708607001S10 for Quantum 600 units. Applicable to Serial Number J7808607001S10 for Quantum 600E units. Retrofits all previous generation.



**Note: If an item has no callout, it is being shown for assembly purposes.*

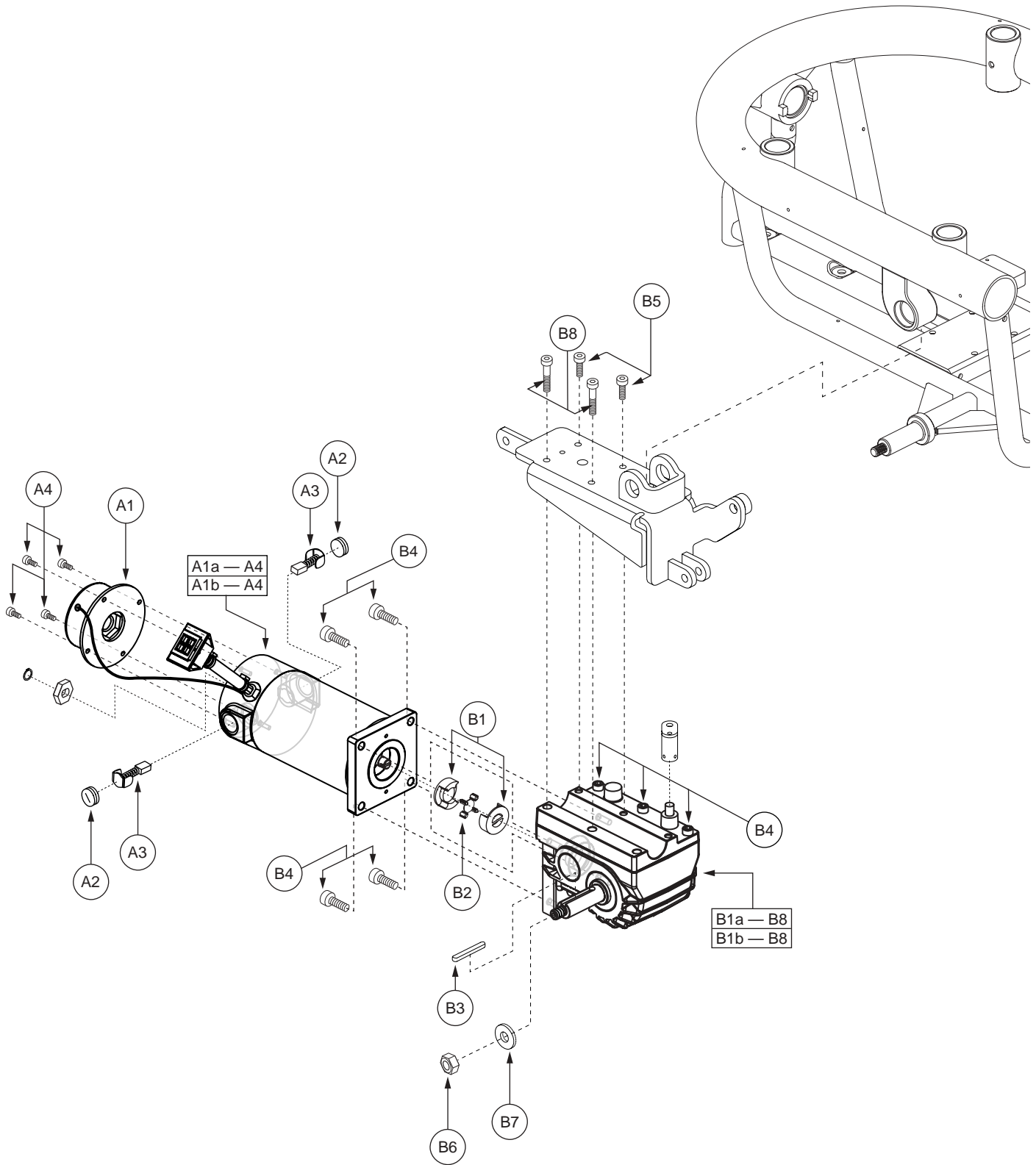
REF #	PART #	DESCRIPTION	QTY	Dealer \$	MSRP	11i
A1 — C9	FRMASMB8028	ARTICULATING BEAM,ASSY,CURVED,W/CASTER WHEELS,JAZZY600	1	\$231	\$589.05	
A1 — B6	FRMASMB10474	ARTICULATING BEAM,ASSY,REINFORCED,W/ANTI-FLUTTER KIT,JAZZY/QUANTUM600,E-1056-067	1	\$37.5	\$95.62	
A1	DWR1056E034	ARTICULATING BEAM WELDMENT,CURVED,E-1056-034	1	\$91.98	\$234.55	
A2	SCRHHCS1290	SCREW,HHCS,BLACK ZINC,M10-1.5 X 20MM,GRADE 12.9	1	\$1.05	\$2.68	
A3	WASSTND1104	WASHER, FLAT,BLACK,ZINC,0.410" ID X 0.650" OD X 0.10" TH,NORD LOCK,(MCMaster CARR: 91074A131)	1	\$1.05	\$2.68	
A4	DWR1056D034	COVER,DECAL PERCH,D-1056-034	1	\$1.05	\$2.68	
A5	SCRPFH1043	SCREW, PFH,BZ,M4-.7T X 10MM L	2	\$1.05	\$2.68	
A6	DWR1056B002	WASHER,STOP,CASTER BEAM PIVOT,B-1056-002	1	\$1.05	\$2.68	
A7	WASMETR1052	WASHER,FLAT,BLACK ZINC,HARDENED STEEL,11.12MM ID X 28MM OD X 2.8MM TH,M10,DIN 125,METRIC	1	\$1.05	\$2.68	
A8	DWR1054C008	CASTER CAP,C-1054-008	2	\$1.05	\$2.68	
B1 — B6	HDWASMB1089	ANTI-FLUTTER KIT,REAR CASTER,JAZZY,B-1005-137	2	\$9.98	\$25.45	
B1	DWR1005B133	BEARING,BALL,16.0MM ID X 40.0MM OD X 12.0MM TH,ABEC-1,B-1005-133,(6203-2RS DOUBLE SEAL)	2	\$5.7	\$14.52	
B2	DWR1005B134	SPACER,BRIGHT ZINC,STEEL,18MM ID X 25MM OD X 15.5MM TH,B-1005-134	1	\$1.03	\$2.63	
B3	DWR1133A003	SHIM,BLACK ZINC,STEEL,13MM ID X 21MM OD X 4.763MM TH,A-1133-003	1	\$1.05	\$2.68	
B4	DWR1133A007	O-RING,NEOPRENE,1.250" ID X 1.625" OD X 0.187" TH,(MCMaster CARR: 94115K515-322),A-1133-007	1	\$1.05	\$2.68	
B5	DWR1133A005	WASHER,BLACK,STEEL,13MM ID X 40MM OD X 3MM TH,A-1133-005	1	\$1.05	\$2.68	
B6	NUTNYLK1010	NUT,NYLOCK,BLACK ZINC,1/2-20	1	\$1.05	\$2.68	
*C1 — C9	FRMASMB10553	CASTER,ASSY,FLAT FREE,6" WHEEL,W/FORK & COVERS,TALL,REAR/RIGHT,E-1202-005	1	\$37.8	\$96.39	
*C1 — C9	FRMASMB10554	CASTER,ASSY,FLAT FREE,6" WHEEL,W/FORK & COVERS,TALL,REAR/LEFT,E-1202-006	1	\$37.8	\$96.39	
C1	DWR1202C006	FORK,WELDMENT,6",CASTER,REAR,TALL,C-1202-006	1	\$7.03	\$17.93	
C2	SCRHHCS1370	SCREW,HHCS,BLACK ZINC,M8-1.25 X 110MM,GRADE 12.9	1	\$1.05	\$2.68	
C3	WASMETR1029	WASHER,FLAT,BLACK ZINC,8.4MM ID X 16MM OD X 1.6MM TH,METRIC,GB96-8	1	\$1.05	\$2.68	
C4	DWR1056B068	WASHER,FLAT,BLACK ZINC,8.4MM ID X 16MM OD X 5MM TH,B-1056-068	1	\$1.05	\$2.68	
C5	NUTNYLK1080	NUT,NYLOCK,BLACK ZINC CHROMATE,M8-1.25	1	\$1.05	\$2.68	
C6	DWR1005C033	PIVOT STUD,CASTER FORK,BLACK,M16-1.5 (TOP),1/2-20 (BOTTOM) X 88.18MM,REAR,C-1005-033	1	\$2.09	\$5.33	
C7	NUTJAM1027	NUT,JAM,BLACK ZINC,M16-1.5,A-1005-006	1	\$1.05	\$2.68	
C8	DWR1056C066	COVER,CASTER BALL,6" WHEEL,C-1056-066	2	\$6.3	\$16.07	
C9	WHLASMB1762	WHEEL,ASSY,CASTER,FLAT FREE,BLACK RIM/GRAY TIRE,6"X 2",W/BEARINGS & SPACER,E-1202-019	1	\$16.18	\$41.26	

Notes :

Applicable to Serial Number J5708607001S10 for Quantum 600 units. Applicable to Serial Number J7808607001S10 for Quantum 600E units. Retrofits all previous generation.

***C1 — C9** Both assemblies contain identical parts. There are right and left sides for assembly purposes.

Generation 2. Retrofits all previous generations.



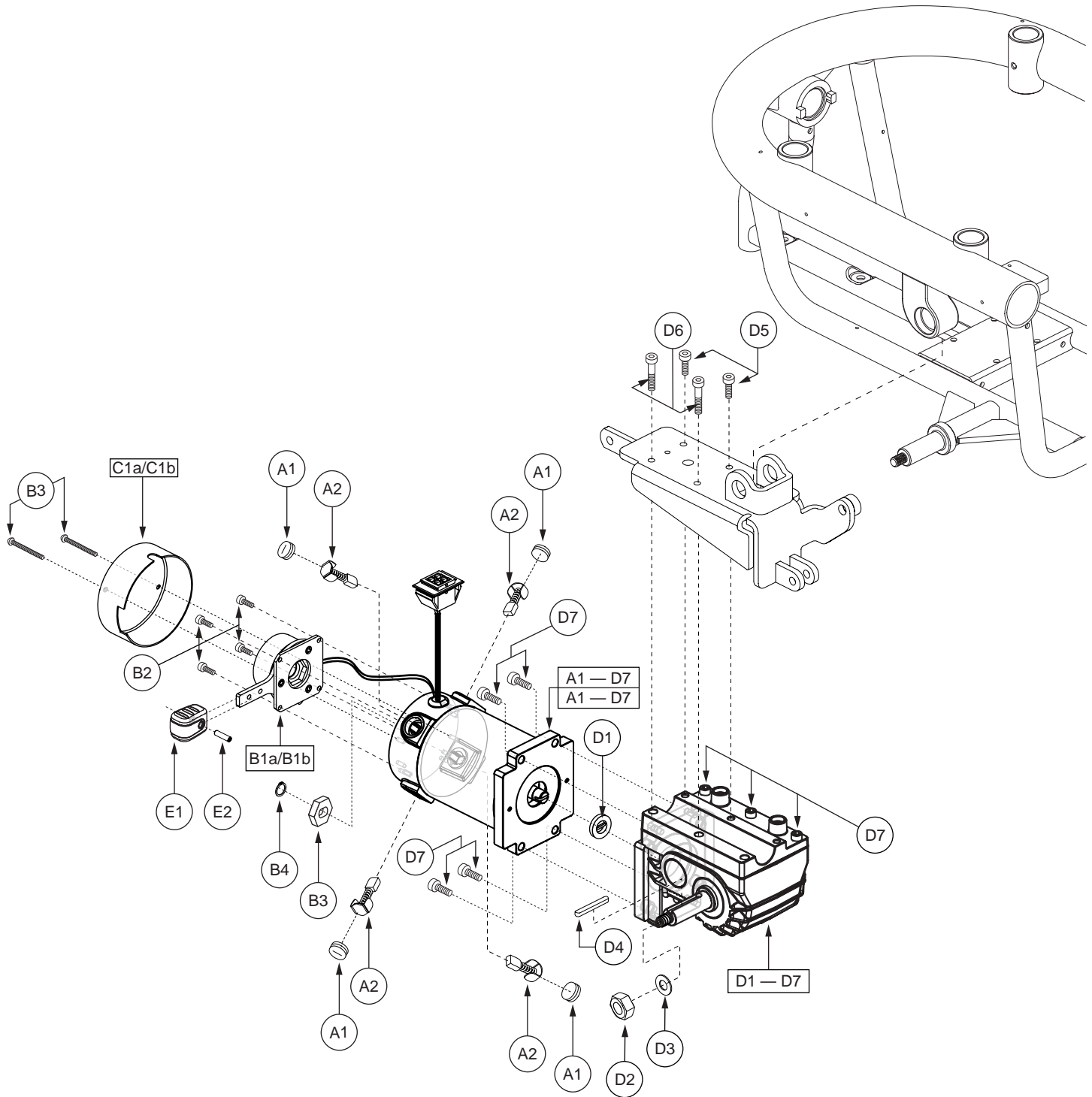
**Note: Right side shown. If an item has no callout, it is being shown for assembly purposes.*

REF #	PART #	DESCRIPTION	QTY	Dealer \$	MSRP	11i
A1 — B8	DRVASMB1967	MOTOR,ASSY,DRIVE,E684 GLIDE,PAIR	1	\$612.36	\$1561.52	
*A1a — B8	DRVASMB1904	MOTOR,ASSY,DRIVE,E684,W/GEARBOX,RIGHT HAND MWD,LEFT HAND RWD,E-1210-002,(ELECTRORAFT: 684-008-004)	1	\$306.18	\$780.76	
**A1b — B8	DRVASMB1903	MOTOR,ASSY,DRIVE,E684,W/GEARBOX,LEFT HAND MWD,RIGHT HAND RWD,E-1210-001,(ELECTRORAFT: 684-007-003)	1	\$306.18	\$780.76	
*A1a — A4	DRVMOTR1298	MOTOR,DRIVE,E684,W/BRAKE,RIGHT HAND MWD,LEFT HAND RWD,E-1210-006,(ELECTRORAFT:0684-07-008-1)	1	\$189	\$481.95	
**A1b — A4	DRVMOTR1297	MOTOR,DRIVE,E684,W/BRAKE,LEFT HAND MWD,RIGHT HAND RWD,E-1210-005,(ELECTRORAFT:0684-07-007-1)	1	\$189	\$481.95	
A1	DRV1070	BRAKE,ASSY,24VDC,10W,(ELECTRORAFT: 0002-9431)	1	N/A	N/A	
A2	PLSINDV1165	BRUSH CAP,MOTOR,702/670/679/925,(ELECTRORAFT: 0003-0280)	2	\$1.05	\$2.68	
A3	DRVBRSH1018	MOTOR,BRUSH,JAZZY,(RELIANCE: 0002-6970)	2	\$8.4	\$21.42	
A4	SCRSHCS1029	SCREW, SHCS,BLACK,8-32 X 1/2"L	4	\$1.05	\$2.68	
*B1a — B8	DRVASMB1908	MOTOR,ASSY,RL GEARBOX,E684,RIGHT HAND MWD,LEFT HAND RWD,32:1 GEAR RATIO,E-1210-004,(ELECTRORAFT: 0011-5054)	1	\$100.8	\$257.04	
**B1b — B8	DRVASMB1907	MOTOR,ASSY,RL GEARBOX,E684,LEFT HAND MWD,RIGHT HAND RWD,32:1 GEAR RATIO,E-1210-003,(ELECTRORAFT: 0011-5053)	1	\$612.36	\$1561.52	
B1	INDPART2608	MOTOR COUPLING KEY,E684,(ELECTRORAFT: 0003-6658-3)	2	\$5.92	\$15.1	
B2	INDPART2609	MOTOR COUPLING INSERT,E684,(ELECTRORAFT: 0003-6659)	1	\$5.92	\$15.1	
B3	KEYSTL1015	AXLE KEY,STEEL,6MM X 6MM X 40MM,(ELECTRORAFT: 1150154006)	1	N/A	N/A	
B4	SCRSHCS1048	SCREW,SHCS,ZINC,M6-1.0 X 20MM	7	\$1.05	\$2.68	
*B5	SCRALNH1037	SCREW,SHCS,M6-1.0 X 16MM	3	\$1.05	\$2.68	
B6	NUTNYLK1041	NUT,NYLOCK,ZINC,M10-1.25,GRADE 8	1	\$1.05	\$2.68	
B7	WASSTND1138	WASHER,FLAT,BLACK ZINC,10.3MM ID X 24MM OD X 3MM TH,SERRATED,B-1005-033	1	\$1.05	\$2.68	
*B8	SCRALNH1038	SCREW,SHCS,M6-1.0 X 30MM	3	\$1.05	\$2.68	

Notes :

When ordering, all top-level assemblies designated with "" and a lower-case "a" are for right side assemblies and all top-level assemblies designated with "" and a lower-case "b" are for left side assemblies. All parts contained below these assemblies are for both right and left sides.

*B5 Two used.
*B8 Two used.



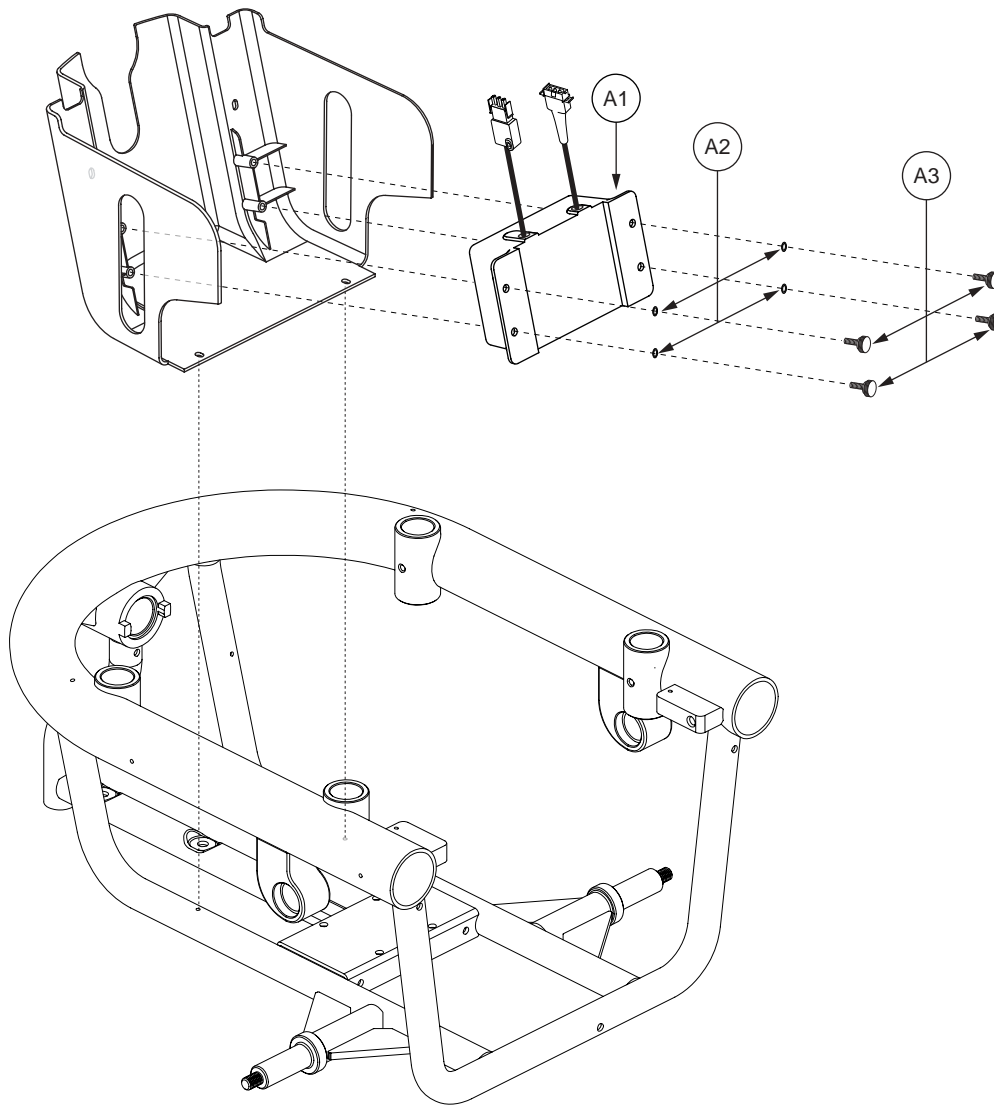
**Note: Right side shown. If an item has no callout, it is being shown for assembly purposes.*

REF #	PART #	DESCRIPTION	QTY	Dealer \$	MSRP	11i
A1 — E2	DRVASMB1952	MOTOR,ASSY,DRIVE,E925,H2,INDIVIDUAL BRAKE LEVERS,PAIR	1	\$713.16	\$1818.56	
A1a — E2	DRVASMB1954	MOTOR,ASSY,DRIVE,E925,H2,INDIVIDUAL BRAKE LEVER,RIGHT	1	\$356.58	\$909.28	
A1b — E2	DRVASMB1953	MOTOR,ASSY,DRIVE,E925,H2,INDIVIDUAL BRAKE LEVER,LEFT	1	\$356.58	\$909.28	
A1a — D7	DRVASMB1905	MOTOR,ASSY,DRIVE,E925,H2,W/GEARBOX,RIGHT,E-1210-007,(ELECTROCRAFT: 925-100-005)	1	\$355.95	\$907.67	
A1b — D7	DRVASMB1906	MOTOR,ASSY,DRIVE,E925,H2,W/GEARBOX,LEFT,E-1210-008,(ELECTROCRAFT: 925-101-006)	1	\$355.95	\$907.67	
A1a — B4	DRVMOTR1299	MOTOR,DRIVE,E925,H2,W/BRAKE,RIGHT,E-1210-011,(ELECTROCRAFT: 0011-5064)	1	\$177.99	\$453.87	
A1b — B4	DRVMOTR1300	MOTOR,DRIVE,E925,H2,W/BRAKE,LEFT,E-1210-012,(ELECTROCRAFT: 0011-5065)	1	\$177.99	\$453.87	
A1	PLSINDV1165	BRUSH CAP,MOTOR,702/670/679/925,(ELECTROCRAFT: 0003-0280)	4	\$1.05	\$2.68	
A2	DRVBRSH1012	MOTOR,MOTOR,BRUSH,JAZZY MOTOR,702/670/679/925,(ELECTROCRAFT: 0002-6971)	4	\$5.25	\$13.39	
*B1a — B4	KITASMB1531	KIT,ASSY,BRAKE REPLACEMENT,H2 MOTORS,RIGHT	1	\$68	\$173.4	
*B1b — B4	KITASMB1532	KIT,ASSY,BRAKE REPLACEMENT,H2 MOTORS,LEFT	1	\$68	\$173.4	
B1a	DRV1074	BRAKE,CHAIN TAIL,24VDC,9.2W,RIGHT,(ELECTROCRAFT: 0002-9437)	1	N/A	N/A	
B1b	DRV1075	BRAKE,CHAIN TAIL,24VDC,9.2W,LEFT,(ELECTROCRAFT: 0002-9438)	1	N/A	N/A	
B2	SCRSHCS1127	SCREW,SHCS,BLACK ZINC,M4-.7 X 10MM,GRADE 8.8	4	\$1.05	\$2.68	
B3	SCRPPH1326	SCREW,PPH,BLACK ZINC,M4-.7 X 40MM	2	\$1.05	\$2.68	
*B4	PLSTIE1004	TIE WRAP,BLACK,8"	1	\$1.05	\$2.68	
C1a	BRKINDV1167	CAP,MOTOR BRAKE,RIGHT,(ELECTROCRAFT: 03-006874)	1	\$17.51	\$44.66	
C1b	BRKINDV1166	CAP,MOTOR BRAKE,LEFT,(ELECTROCRAFT: 03-006875)	1	\$17.51	\$44.66	
*D1 — D7	DRVASMB1909	MOTOR,ASSY,RL GEARBOX,E925,RIGHT,21:1 GEAR RATIO,E-1210-009,(ELECTROCRAFT: 0011-5062)	1	\$177.96	\$453.8	
*D1 — D7	DRVASMB1910	MOTOR,ASSY,RL GEARBOX,E925,LEFT,21:1 GEAR RATIO,E-1210-010,(ELECTROCRAFT: 0011-5063)	1	\$177.96	\$453.8	
D1	INDPART2570	MOTOR,COUPLER,670/925,(ELECTROCRAFT: 0011-5061)	1	N/A	N/A	
D2	NUTNYLK1041	NUT,NYLOCK,ZINC,M10-1.25,GRADE 8	1	\$1.05	\$2.68	
D3	WASSTND1138	WASHER,FLAT,BLACK ZINC,10.3MM ID X 24MM OD X 3MM TH,SERRATED,B-1005-033	1	\$1.05	\$2.68	
D4	INDPART1925	AXLE KEY,0.236"W X 0.236" H X 1.566" L	1	\$1.05	\$2.68	
*D5	SCRALNH1037	SCREW,SHCS,M6-1.0 X 16MM	3	\$1.05	\$2.68	
*D6	SCRALNH1038	SCREW,SHCS,M6-1.0 X 30MM	3	\$1.05	\$2.68	
D7	SCRSHCS1048	SCREW,SHCS,ZINC,M6-1.0 X 20MM	7	\$1.05	\$2.68	
E1 — E2	FRMASMB8691	FREEWHEEL,ASSY,RELEASE HANDLE GRIP,B-1160-051	1	\$2.1	\$5.36	
E1	DWR1160C017	HANDLE,GRIP,YELLOW,C-1160-017	1	\$1.05	\$2.68	
E2	SCRSETS1099	SCREW,SET,BLACK ZINC,M4-.7 X 16MM	1	\$1.05	\$2.68	

Notes :

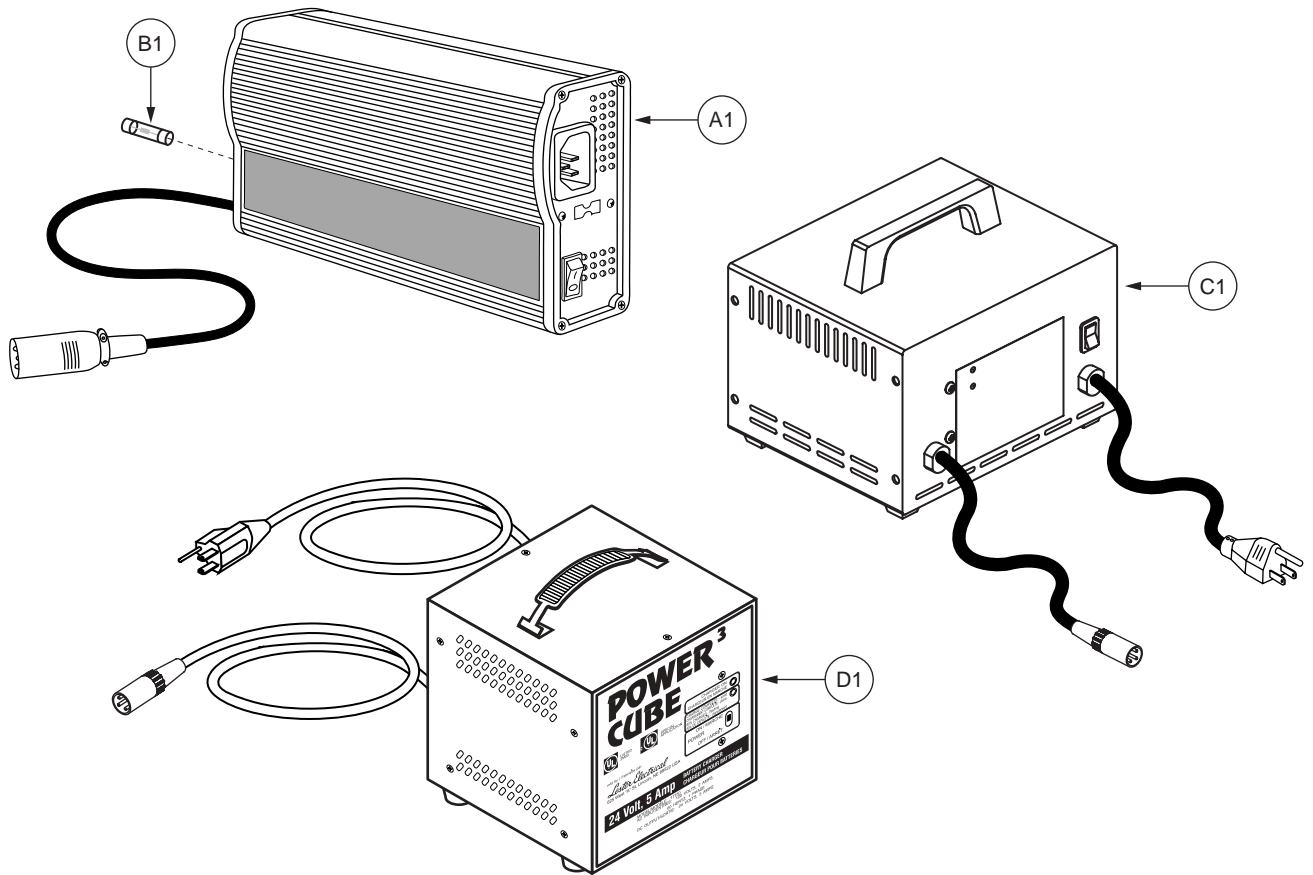
Top-level assemblies will include components designated with corresponding lower-case letters. Parts without lower-case letters will be included in all top-level assemblies.

- *B1a — B4 The individual brake is not available individually. The appropriate KITASMB must be purchased.
- *B4 Not shown.
- *D1 — D7 Both assemblies contain identical parts. There are right and left sides for assembly purposes.
- *D5 Two used.
- *D6 Two used.



REF #	PART #	DESCRIPTION	QTY	Dealer \$	MSRP	11i
A1 — A3	ELEASMB3748	CHARGER,ASSY,ONBOARD,110V, 4 AMP,GUEST,BELLY PAN MOUNTED,JAZZYULTRA	1	\$88.2	\$224.91	
A1	ELE110V1029	CHARGER,110V,4 AMP PEAK,OPEN INHIBIT,3-STAGE,H-1000-101,(GUEST: 2904-24)	1	\$88.2	\$224.91	
A2	WASNEOP1003	WASHER,BLACK,NEOPRENE,3.20MM ID X 7.00MM OD X 1.90MM TH,O-RING	4	\$1.05	\$2.68	
A3	PLSKNCP1047	KNOB,PLASTIC,M4-.7 x 12MM,KNURLED HEAD,C-1054-034	4	\$1.05	\$2.68	

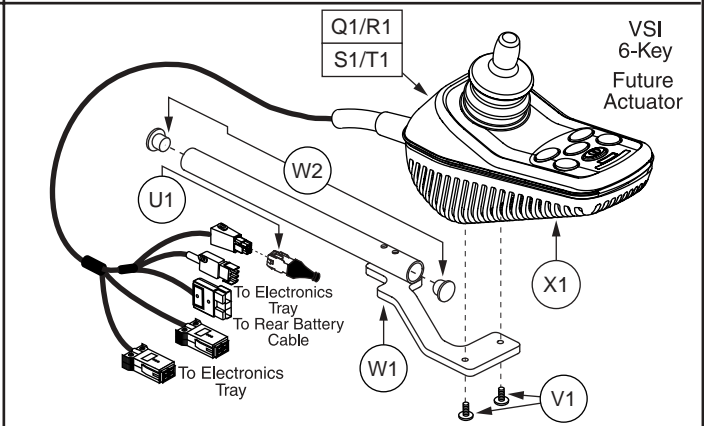
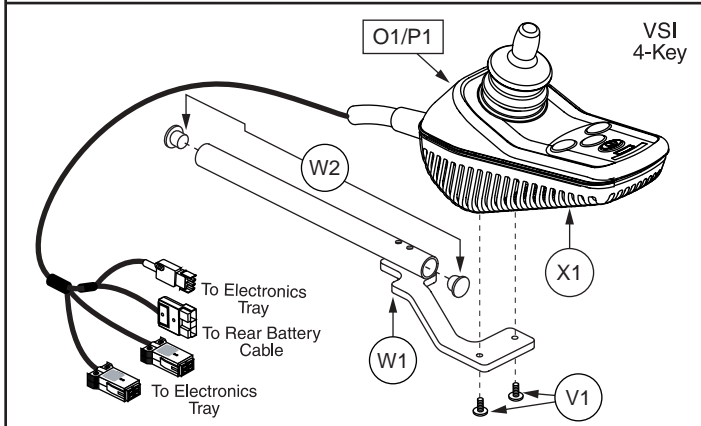
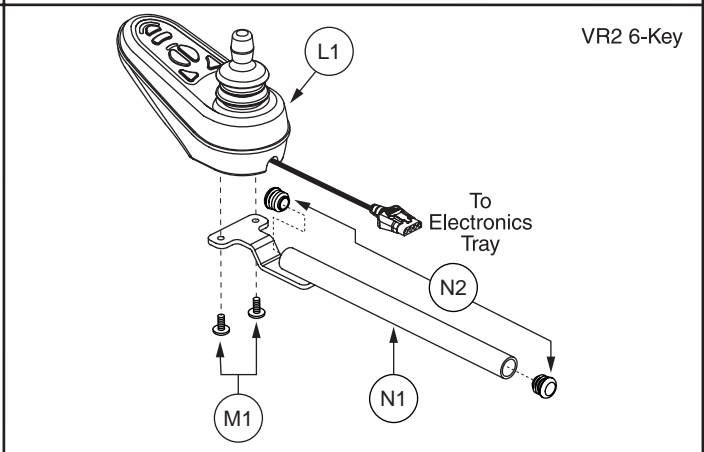
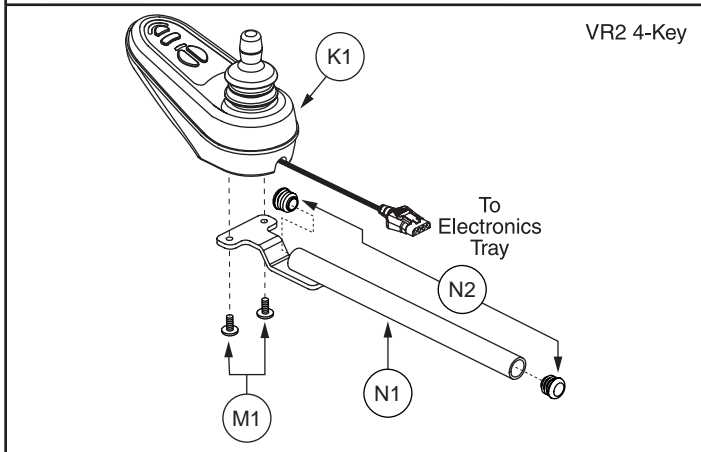
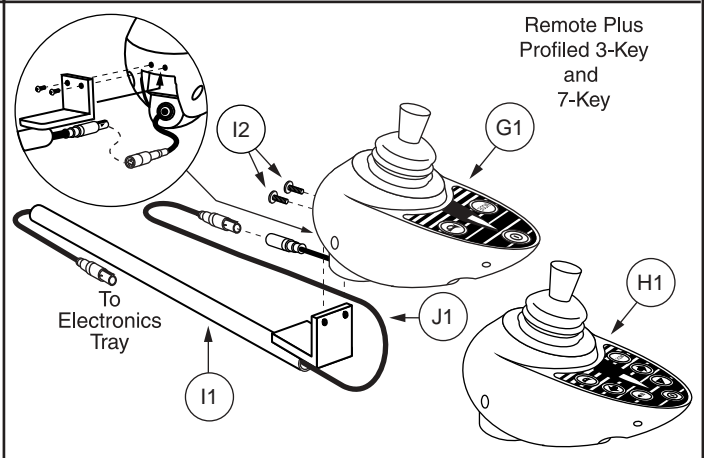
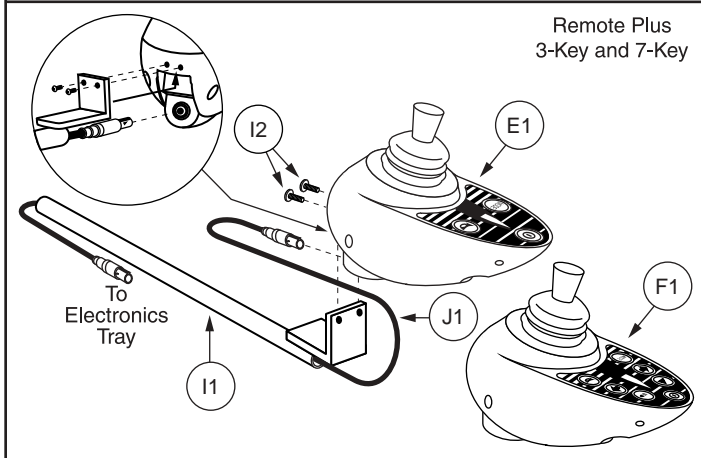
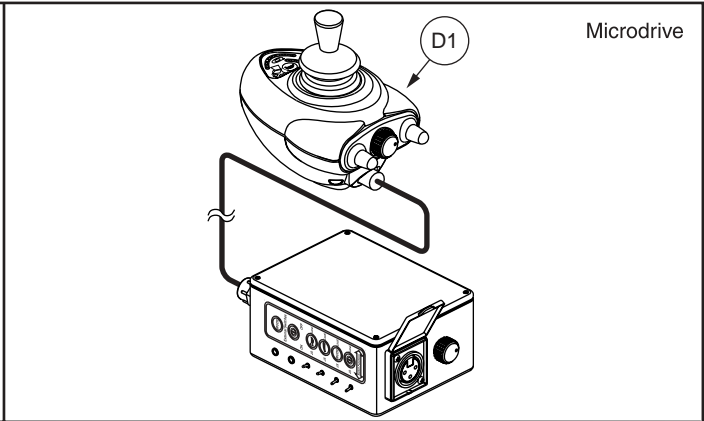
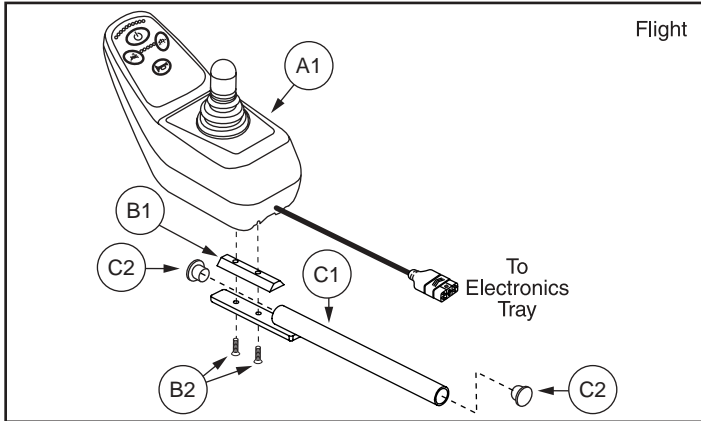
**Note: If an item has no callout, it is being shown for assembly purposes.*



REF #	PART #	DESCRIPTION	QTY	Dealer \$	MSRP	11i
A1	ELECHG1000	CHARGER,OFFBOARD,110V-230V,5 AMP,PRESET TO 110V,H-1010-115,(MTS:HP-8204B)	1	\$82.95	\$211.52	
*B1	ELEFUSE1020	FUSE,FAST ACTING,10AMP,250V,5MM OD X 20MM L,(MULTICOMP: 92N5130)	1	\$1.05	\$2.68	
C1	ELE110V1041	CHARGER,OFFBOARD, LOW INHIBIT,110V, 8AMP,H-1010-054,(LESTER:18330-48)	1	\$197.4	\$503.37	
D1	ELE110V1044	CHARGER,OFFBOARD,110V, 5 AMP,H-1010-086,(LESTER: 17750-08)	1	\$165.9	\$423.05	

Notes :

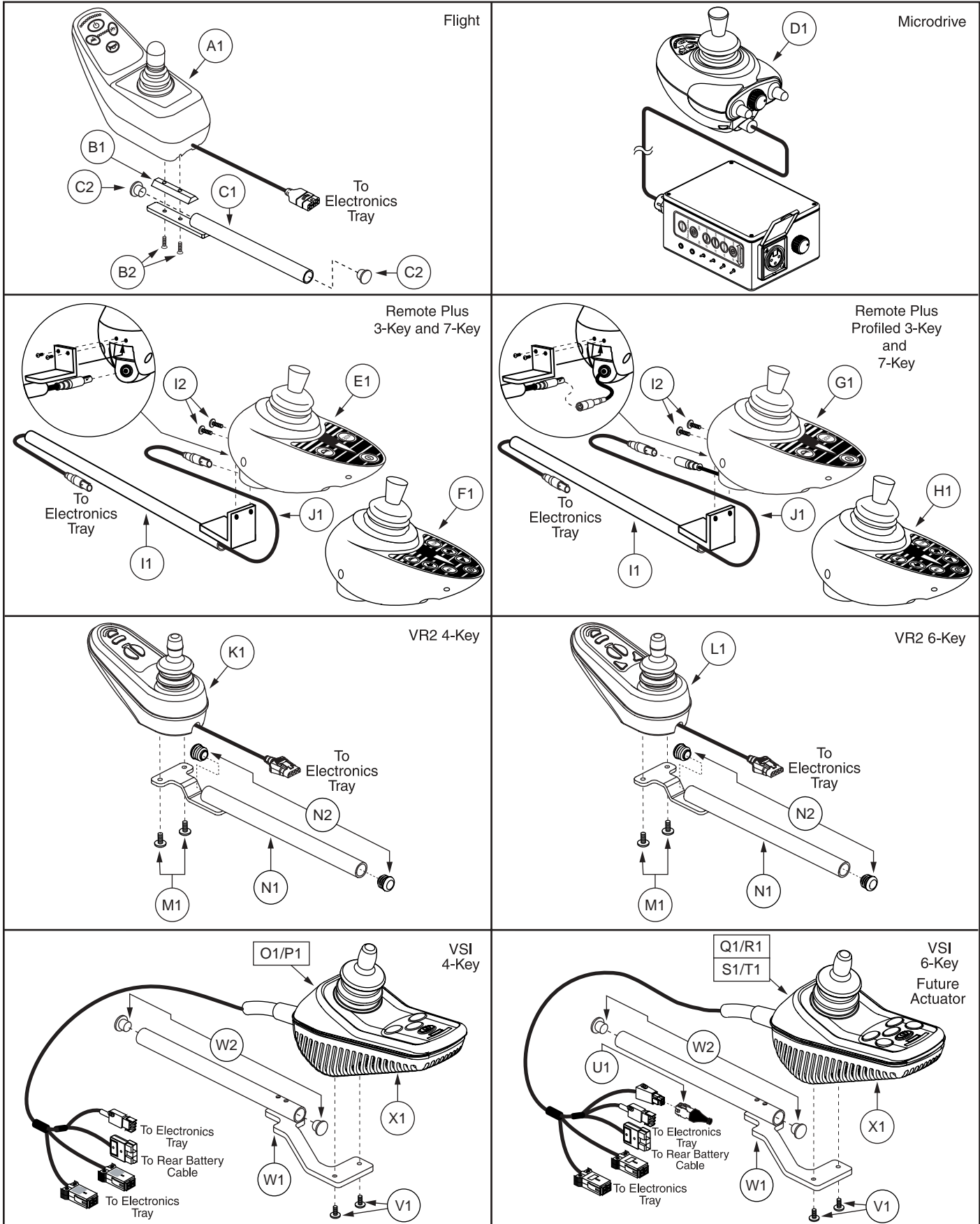
*B1 The fuse is included with charger ELECHG1000.



**Note: If an item has no callout, it is being shown for assembly purposes.*

REF #	PART #	DESCRIPTION	QTY	Dealer \$	MSRP	11i
A1	CTLDC1371	CONTROLLER,FLIGHT,4 KEY,JOYSTICK MODULE,H-1056-001,(DK-REMC01)	1	N/A	N/A	
B1 — C2	FRMASMB6934	JOYSTICK MOUNTING BRACKET,ASSY,DYNAMIC FLIGHT CONTROLLER,INLINE,C-1010-168	1	\$10.5	\$26.78	
B1	DWR1010B089	SPACER,FLIGHT MOUNT BRACKET,B-1010-089	1	\$11.55	\$29.45	
B2	SCRPFH1050	SCREW, PFH,BZ,M5-.8 X 20MM	2	\$1.05	\$2.68	
C1 — C2	FRMASMB7592	JOYSTICK MOUNTING BRACKET,ASSY,DYNAMIC FLIGHT CONTROLLER,INLINE,W/END CAPS,C-1010-167	1	\$7.35	\$18.74	
C1	DWR1010C165	MOUNTING BRACKET WELDMENT,DYNAMIC FLIGHT JOYSTICK,INLINE,C-1010-165	1	\$7.35	\$18.74	
C2	PROECAP1014	CAP,END,BLACK,PLASTIC,19MM OD,FITS 15MM ID TUBING,ROUND,B-9940-014	2	\$1.05	\$2.68	
D1	CTLDC1369	CONTROLLER,MICRODRIVE REMOTE PLUS JOYSTICK MODULE,(P&G: D50470)	1	\$869.4	\$2216.97	
E1	CTLDC1112	CONTROLLER,JOYSTICK MODULE, REMOTE PLUS,3 KEY,SINGLE PROFILE,(P & G: D49671)	1	\$453.6	\$1156.68	
F1	CTLDC1062	CONTROLLER,JOYSTICK MODULE,ACCESSORY REMOTE PLUS,7 KEY,(LTS+ACT+HORN)	1	\$478.8	\$1220.94	
G1	CTLDC1368	CONTROLLER,JOYSTICK MODULE, REMOTE PLUS,3 KEY W/PROFILES,FLYING LEAD,(P&G D50524)	1	\$438.9	\$1119.2	
H1	CTLDC1347	CONTROLLER,JOYSTICK MODULE,ACCESSORY REMOTE PLUS,7 KEY,W/PROFILES,(P&G:D49982)	1	\$478.8	\$1220.94	
I1 — I2	FRMASMB2066	FIXED INLINE JOYSTICK MOUNT,ASSY,REMOTE PLUS	1	\$10.5	\$26.78	
I1	DWR1200C103	MOUNTING BRACKET,JOYSTICK WELDMENT,REMOTE PLUS,INLINE,C-1200-103	1	\$8.4	\$21.42	
I2	SCRPPH1006	SCREW, PPH,ELMR,8-32 X 1/2",G2	2	\$1.05	\$2.68	
J1	HARUSHD2189	ELECTRONIC,HARNESS,1.16 LONG,REDEL CABLE, REMOTE PLUS, JOYSTICK TO TRAY	1	\$73.5	\$187.43	
K1	CTLDC1463	CONTROLLER,JOYSTICK MODULE,4 KEY,VR2,H-1111-015,(P&G: D50677)	1	\$151.2	\$385.56	
L1	CTLDC1498	CONTROLLER,JOYSTICK MODULE,6 KEY,VR2,H-1111-063,(P&G: D50680)	1	\$156.24	\$398.41	
M1 — N2	FRMASMB9532	JOYSTICK MOUNTING BRACKET,ASSY,GC/VR2 CONTROLLER,INLINE	1	\$3.55	\$9.05	
M1	SCRPPH1122	SCREW,PPH,BLACK ZINC,M5-.8 X 18MM	2	\$1.05	\$2.68	
N1 — N2	FRMASMB9533	JOYSTICK MOUNTING BRACKET,ASSY,GC/VR2 CONTROLLER,INLINE,W/END CAPS	1	\$4.74	\$12.08	
N1	DWR1010D281	MOUNTING BRACKET,JOYSTICK WELDMENT,GC,INLINE,D-1010-281	1	\$4.74	\$12.08	
N2	PROECAP1014	CAP,END,BLACK,PLASTIC,19MM OD,FITS 15MM ID TUBING,ROUND,B-9940-014	2	\$1.05	\$2.68	
O1	ELEASMB4546	CONTROLLER,VSI,ASSY,4 KEY,70 AMP,W/FLYING LEADS,MWD GLIDE MOTOR PROGRAM	1	\$630	\$1606.5	
P1	ELEASMB5442	CONTROLLER,VSI,ASSY,4 KEY,70 AMP,W/FLYING LEADS,QUANTUM600,H2 MOTORS	1	\$630	\$1606.5	
Q1	ELEASMB4547	CONTROLLER,VSI,ASSY,6 KEY,70 AMP,1 ACTUATOR,W/FLYING LEADS,MWD GLIDE MOTOR PROGRAM	1	\$630	\$1606.5	
R1	ELEASMB5443	CONTROLLER,VSI,ASSY,6 KEY,70 AMP,1 ACTUATOR,W/FLYING LEADS,QUANTUM600,H2 MOTORS	1	\$630	\$1606.5	
S1	ELEASMB5274	CONTROLLER,VSI,ASSY,6 KEY,70 AMP,1 ACTUATOR,W/FLYING LEADS,FUTURE ACTUATOR EXPANSION,MWD GLIDE MOTOR PROGRAM	1	\$630	\$1606.5	
T1	ELEASMB5444	CONTROLLER,VSI,ASSY,6 KEY,70 AMP,1 ACTUATOR,W/FLYING LEADS,FUTURE ACTUATOR EXPANSION,QUANTUM600,H2 MOTORS	1	\$630	\$1605.5	
*U1	DWR1010H047	ELECTRONIC,HARNESS,RUN PLUG,VSI,2 ACTUATOR,6-PIN,H-1010-047	1	\$2.1	\$5.36	
V1 — W2	FRMASMB4767	JOYSTICK MOUNTING BRACKET,ASSY,VSI CONTROLLER,INLINE-RIGHT,C-1010-193	1	\$11.55	\$29.45	
V1	SCRPPH1122	SCREW,PPH,BLACK ZINC,M5-.8 X 18MM	2	\$1.05	\$2.68	
W1 — W2	FRMASMB6220	JOYSTICK MOUNTING BRACKET,ASSY,VSI CONTROLLER,INLINE-RIGHT,W/END CAPS,E-1010-280	1	\$11.55	\$29.45	

The parts list is continued on the subsequent pages.



**Note: If an item has no callout, it is being shown for assembly purposes.*

The parts list is continued from the previous pages.

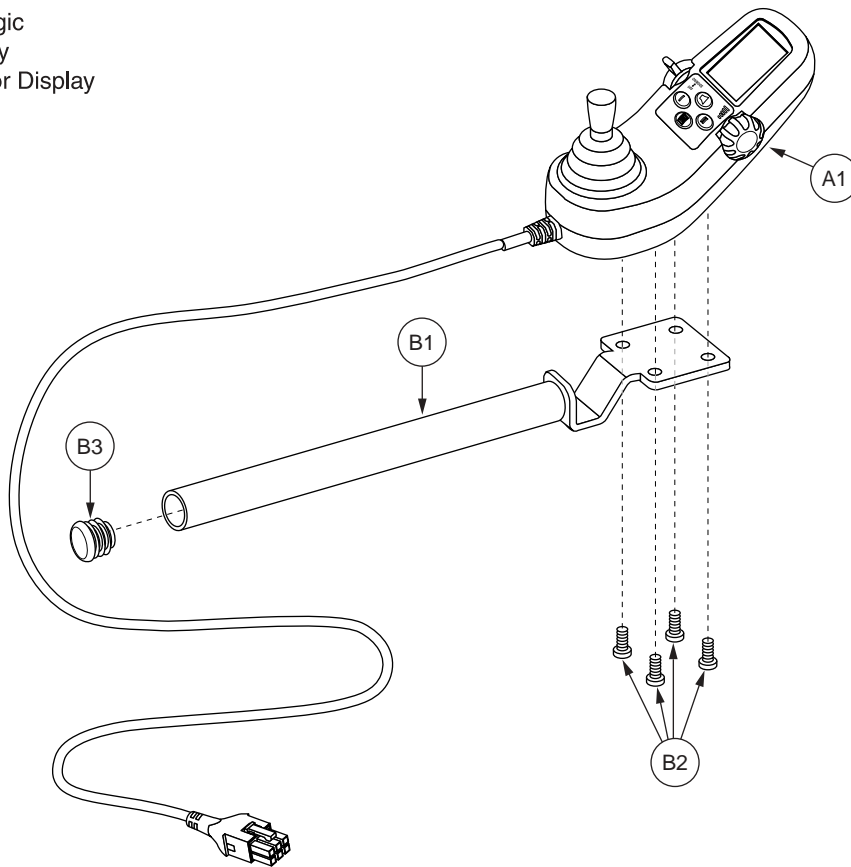
REF #	PART #	DESCRIPTION	QTY	Dealer \$	MSRP	11i
W1	DWR1010D123	MOUNTING BRACKET,JOYSTICK WELDMENT,VSI, INLINE RIGHT,D-1010-123	1	\$6.3	\$16.07	
W2	PROECAP1014	CAP,END,BLACK,PLASTIC,19MM OD,FITS 15MM ID TUBING,ROUND,B-9940-014	2	\$1.05	\$2.68	
X1	PLSINDV1164	VSI SHIELD,(P&G: P76630)	1	\$2.1	\$5.36	

Notes :

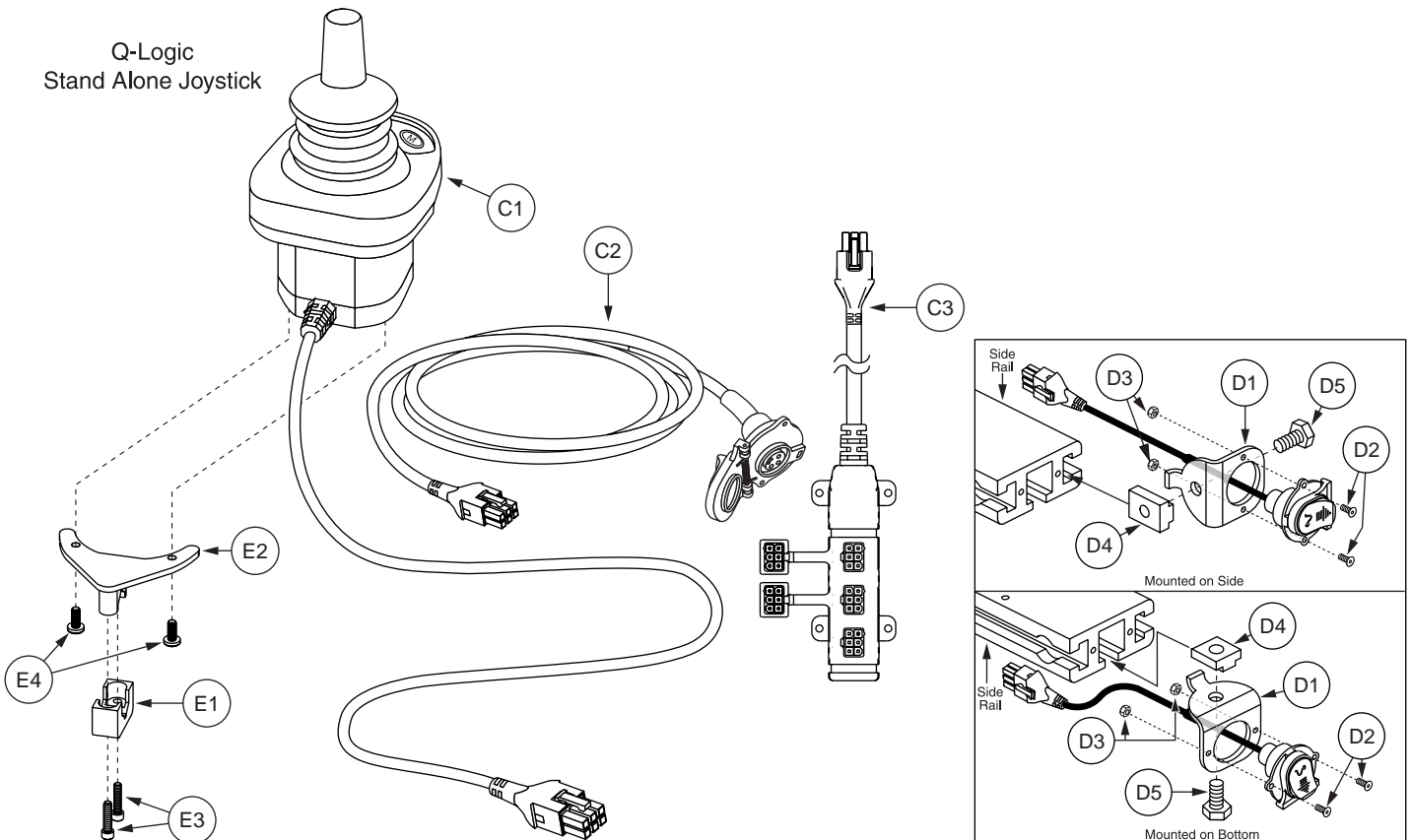
The Remote Plus controllers are depicted with the same controller bracket, FRMASMB2066. The VR2 controllers are depicted with the same controller bracket, FRMASMB9532. The VSI controllers are depicted with the same controller bracket, FRMASMB4767.

*U1 Run plug is included with the VSI controller for Future Actuator Expansion only.

Q-Logic
4-Key
W/LCD Color Display

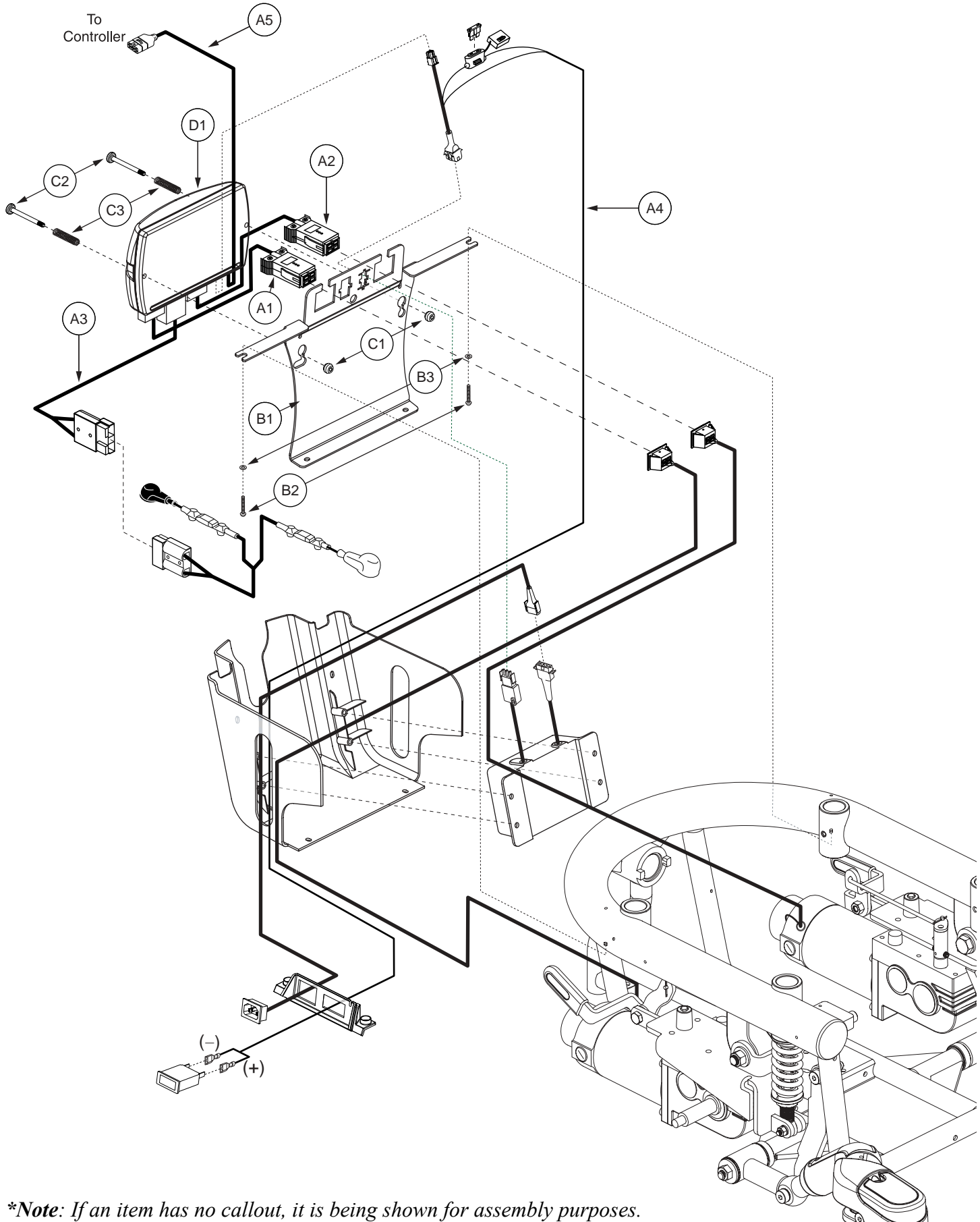


Q-Logic
Stand Alone Joystick



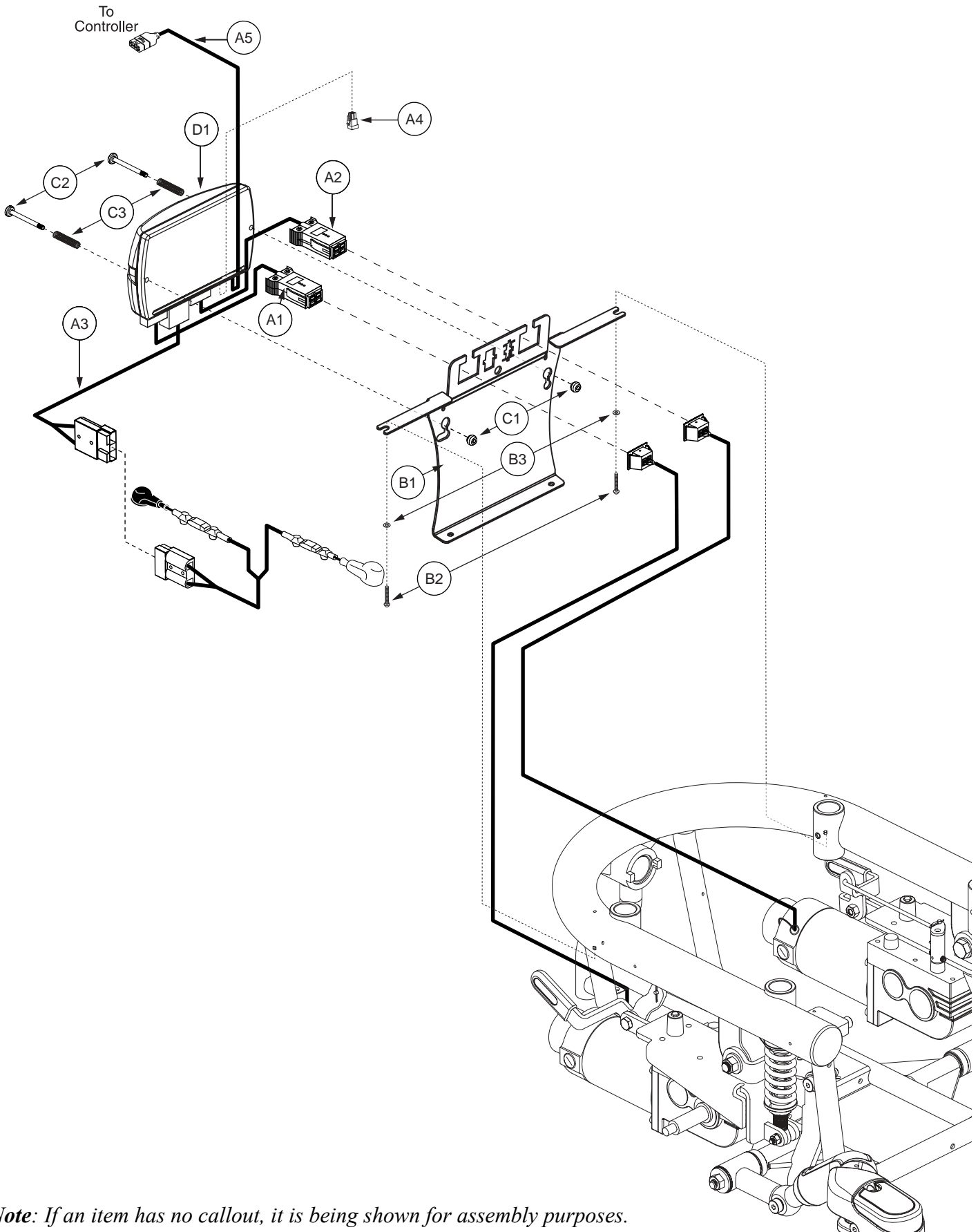
**Note: If an item has no callout, it is being shown for assembly purposes.*

REF #	PART #	DESCRIPTION	QTY	Dealer \$	MSRP	11i
A1	CTLDC1467	CONTROLLER,JOYSTICK MODULE,Q-LOGIC,CURTIS,4 KEY,W/LCD COLOR DISPLAY,H-1111-022,(CURTIS: 17856700)	1	\$584.64	\$1395	
B1 — B3	FRMASMB10617	JOYSTICK MOUNTING BRACKET,ASSY,CURTIS CONTROLLER,INLINE	1	\$19.87	\$50.67	
B1	DWR1010D317	MOUNTING BRACKET,CURTIS CONTROLLER,INLINE,D-1010-317	1	\$14.62	\$37.27	
B2	SCRSHFH1031	SCREW,SHFH,BLACK ZINC,10-32 X 0.50"	4	\$1.05	\$2.68	
B3	PROECAP1014	CAP,END,BLACK,PLASTIC,19MM OD,FITS 15MM ID TUBING,ROUND,B-9940-014	1	\$1.05	\$2.68	
C1 — D5	ELEASMB5205	CONTROLLER,ASSY,CURTIS,STAND ALONE JOYSTICK/ATTENDANT CONTROL	1	\$446.72	\$1139.14	
C1	CTLDC1469	CONTROLLER,JOYSTICK/ATTENDANT CONTROL MODULE,Q-LOGIC,CURTIS,STAND ALONE,H-1111-024,(CURTIS: 17859700)	1	\$327.6	\$1395	
C2	DWR1111H051	HARNESS,CHARGER/PROGRAMMER,1.0 METER,H-1111-051,(CURTIS: 17880700)	1	\$56.7	\$144.59	
C3	DWR1111H053	HARNESS,MULTIPLIER BOX,0.3 METER,H-1111-053,(CURTIS: 17869700)	1	\$86.75	\$144.59	
D1 — D5	FRMASMB11156	MOUNTING BRACKET,ASSY,STAND ALONE JOYSTICK,SIDE RAIL MOUNT,C-1360-163	1	\$12.88	\$32.84	
D1	DWR1360C162	MOUNTING BRACKET,STAND ALONE JOYSTICK,SIDE RAIL MOUNT,C-1360-162	1	\$4.33	\$11.05	
D2	SCRSHFH1114	SCREW,SHFH,BLACK ZINC,4-40 X 0.50"	2	\$1.05	\$2.68	
D3	NUTNYLK1009	NUT,NYLOCK,BLACK ZINC,4-40	2	\$1.05	\$2.68	
D4	DWR1360A004	T-NUT,5/16-18 X 0.875",A-1360-004	1	\$3.3	\$5.5	
D5	SCRHHCS1301	SCREW,HHCS,BLACK ZINC,5/16-18 X 0.50",GRADE 8,W/NYLON PATCH	1	\$1.05	\$2.68	
E1 — E4	FRMASMB10454	JOYSTICK MOUNTING BRACKET,ASSY,CURTIS STAND ALONE JOYSTICK,MIDLINE,C-1010-263	1	\$52.64	\$134.24	
E1	DWR1010C258	MOUNTING BRACKET WELDMENT,CURTIS STAND ALONE JOYSTICK,MIDLINE,C-1010-258	1	N/A	N/A	
E2	DWR1000B332	MOUNTING BRACKET,TOP CLAMP,RJM MOUNT BRACKET,B-1000-332	1	N/A	N/A	
E3	SCRSHCS1171	SCREW,SHCS,BLACK ZINC,6-32 X 0.625"	2	\$1.05	\$2.68	
E4	SCRPPH1165	SCREW,PPH,BLACK ZINC,M4-.7 X 8MM,P-TYPE	2	\$1.05	\$2.68	



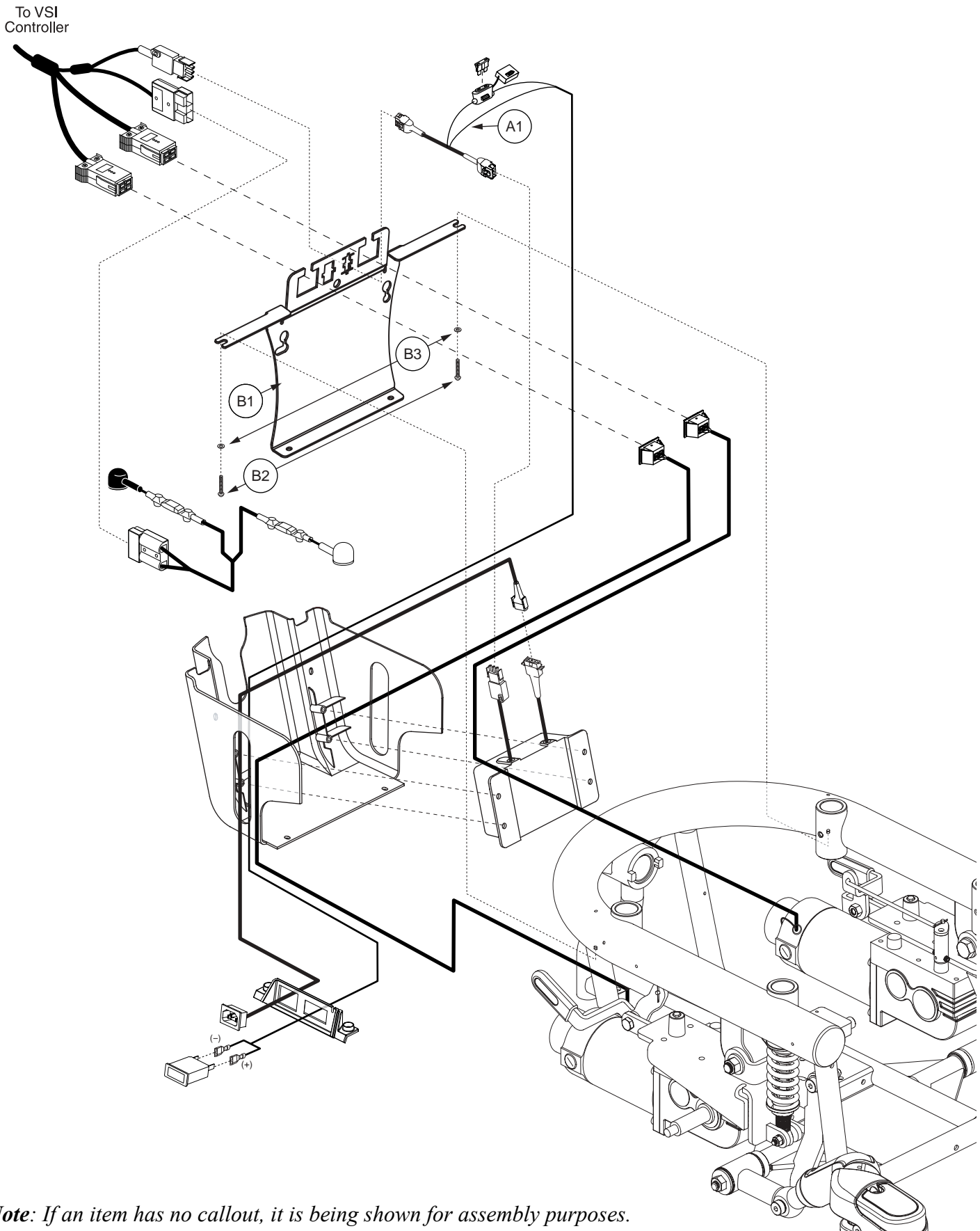
**Note: If an item has no callout, it is being shown for assembly purposes.*

REF #	PART #	DESCRIPTION	QTY	Dealer \$	MSRP	11i
A1 — D1	ELEASMB4610	ELECTRONIC,ASSY,FLIGHT,QUANTUM600,ONBOARD CHARGER	1	\$357	\$910.35	
A1	DWR1056H005	ELECTRONIC,HARNESS, MOTOR,RIGHT,DYNAMIC FLIGHT,H-1056-005	1	\$35.7	\$91.04	
A2	DWR1056H004	ELECTRONIC,HARNESS, MOTOR,LEFT,DYNAMIC FLIGHT,H-1056-004	1	\$35.7	\$91.04	
A3	DWR1056H002	ELECTRONIC,HARNESS, BATTERY CABLE,DYNAMIC FLIGHT,H-1056-002	1	\$35.7	\$91.04	
A4	DWR1056H003	ELECTRONIC,HARNESS,CHARGER W/7.5 AMP INLINE FUSE,DYNAMIC FLIGHT,H-1056-003	1	\$35.7	\$91.04	
A5	DWR1056H007	ELECTRONIC,HARNESS,DYNAMIC FLIGHT BUS CABLE,300MM L,H-1056-007,(DYNAMIC: GSM 80203)	1	\$7.35	\$18.74	
B1 — B3	FRMASMB8064	MOUNTING BRACKET,ASSY,POWER MODULE W/HARDWARE,JAZZY600	1	\$12.6	\$32.13	
B1	DWR1056E018	POWER MODULE MOUNTING BRACKET,E-1056-018	1	\$12.6	\$32.13	
B2	SCRPPH1050	SCREW,PPH,BLACK ZINC,M4-.7 X 10MM	2	\$1.05	\$2.68	
B3	WASMETR1042	WASHER,FLAT,BLACK ZINC,4.3MM ID X 12MM OD X 1MM TH,METRIC,GB96-4	2	\$1.05	\$2.68	
C1 — C3	HDWASMB1059	QUICK RELEASE BUTTON,ASSY,FLIGHT POWER MODULE,B-1116-054	2	\$6.3	\$16.07	
C1	DWR1056B033	POWER MODULE BUTTON,B-1056-033	1	\$1.05	\$2.68	
C2	DWR1056B023	POWER MODULE BUTTON SCREW,B-1056-023	1	\$1.05	\$2.68	
C3	DWR1054B041	SPRING,COMPRESSION,BRIGHT ZINC,1.50" FL X 0.30" OD X 0.038" WIRE DIA X RATE:13.5LBS/IN,MUSIC WIRE,B-1054-041,(MCMMASTER CARR:9434K62)	1	\$4.2	\$10.71	
D1	ELEASMB4545	CONTROLLER,FLIGHT,ASSY,75 AMP,MWD GLIDE MOTOR PROGRAM	1	\$252	\$642.6	



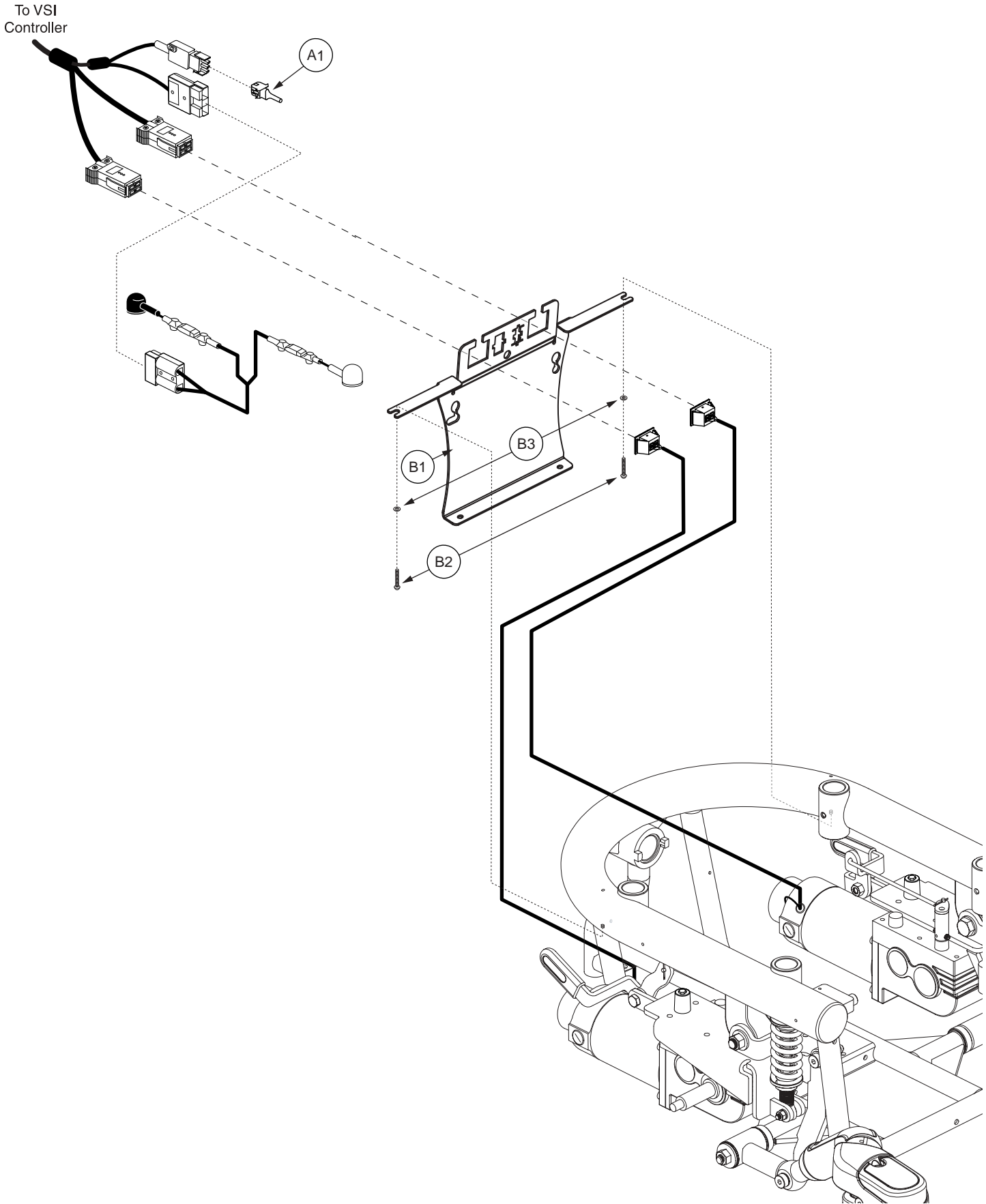
**Note: If an item has no callout, it is being shown for assembly purposes.*

REF #	PART #	DESCRIPTION	QTY	Dealer \$	MSRP	11i
A1 — D1	ELEASMB4552	ELECTRONIC,ASSY,FLIGHT,QUANTUM600,OFFBOARD CHARGER	1	\$345.45	\$880.9	
A1	DWR1056H005	ELECTRONIC,HARNESS, MOTOR,RIGHT,DYNAMIC FLIGHT,H-1056-005	1	\$35.7	\$91.04	
A2	DWR1056H004	ELECTRONIC,HARNESS, MOTOR,LEFT,DYNAMIC FLIGHT,H-1056-004	1	\$35.7	\$91.04	
A3	DWR1056H002	ELECTRONIC,HARNESS, BATTERY CABLE,DYNAMIC FLIGHT,H-1056-002	1	\$35.7	\$91.04	
A4	DWR1116H017	ELECTRONIC,HARNESS,4 PIN,RUN PLUG,DYNAMIC FLIGHT,H-1116-017	1	\$1.05	\$2.68	
A5	DWR1056H007	ELECTRONIC,HARNESS,DYNAMIC FLIGHT BUS CABLE,300MM L,H-1056-007,(DYNAMIC: GSM 80203)	1	\$7.35	\$18.74	
B1 — B3	FRMASMB8064	MOUNTING BRACKET,ASSY,POWER MODULE W/HARDWARE,JAZZY600	1	\$12.6	\$32.13	
B1	DWR1056E018	POWER MODULE MOUNTING BRACKET,E-1056-018	1	\$12.6	\$32.13	
B2	SCRPPH1050	SCREW,PPH,BLACK ZINC,M4-.7 X 10MM	2	\$1.05	\$2.68	
B3	WASMETR1042	WASHER,FLAT,BLACK ZINC,4.3MM ID X 12MM OD X 1MM TH,METRIC,GB96-4	2	\$1.05	\$2.68	
C1 — C3	HDWASMB1059	QUICK RELEASE BUTTON,ASSY,FLIGHT POWER MODULE,B-1116-054	2	\$6.3	\$16.07	
C1	DWR1056B033	POWER MODULE BUTTON,B-1056-033	1	\$1.05	\$2.68	
C2	DWR1056B023	POWER MODULE BUTTON SCREW,B-1056-023	1	\$1.05	\$2.68	
C3	DWR1054B041	SPRING,COMPRESSION,BRIGHT ZINC,1.50" FL X 0.30" OD X 0.038" WIRE DIA X RATE:13.5LBS/IN,MUSIC WIRE,B-1054-041,(MCMMASTER CARR:9434K62)	1	\$4.2	\$10.71	
D1	ELEASMB4545	CONTROLLER,FLIGHT,ASSY,75 AMP,MWD GLIDE MOTOR PROGRAM	1	\$252	\$642.6	



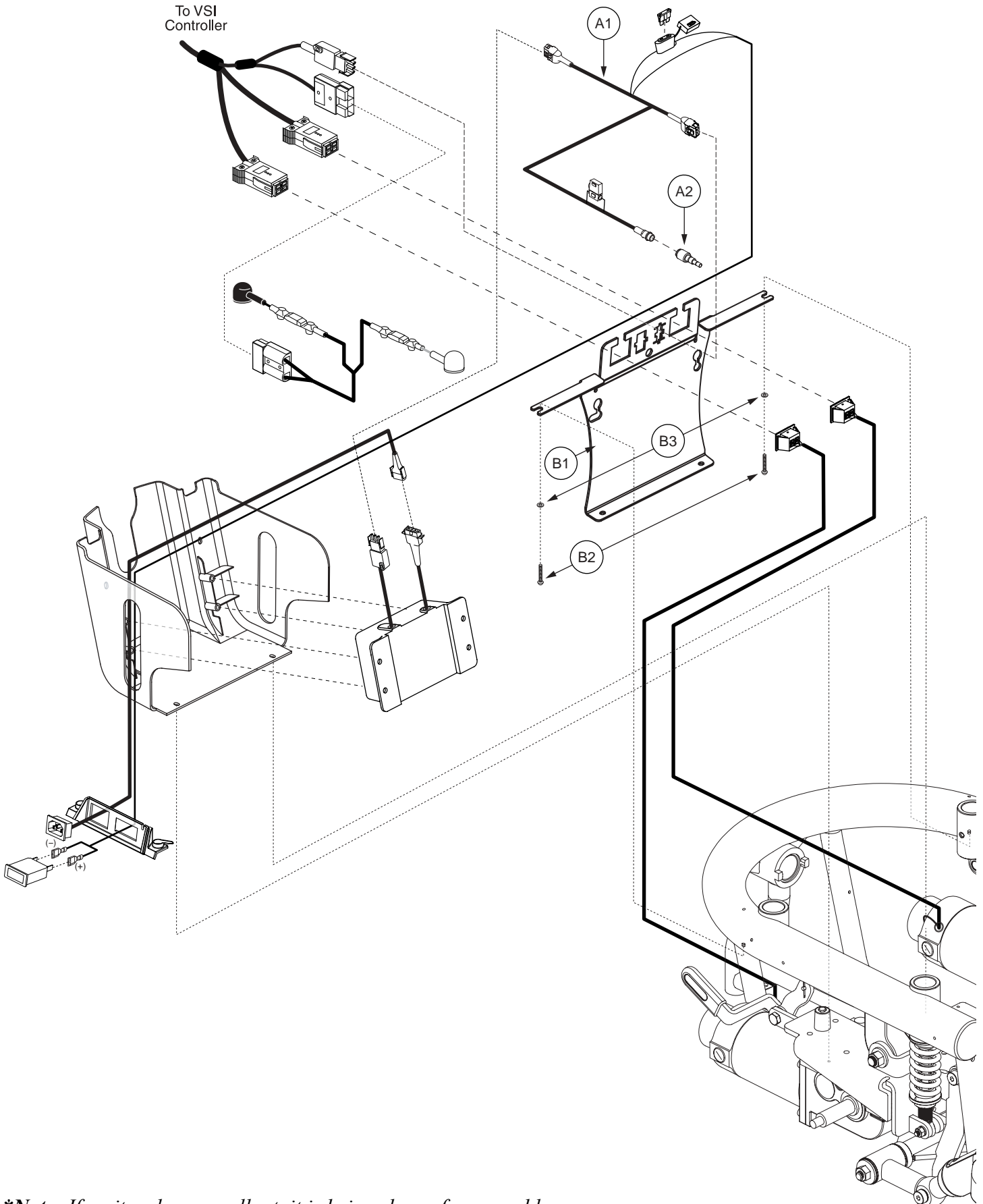
**Note: If an item has no callout, it is being shown for assembly purposes.*

REF #	PART #	DESCRIPTION	QTY	Dealer \$	MSRP	11i
A1 — B3	ELEASMB4509	ELECTRONIC,ASSY,VSI,JAZZY600/QUANTUM600,ONBOARD CHARGER	1	\$26.25	\$66.94	
A1	DWR1054H006	ELECTRONIC,HARNESS,CHARGER CABLE,H-1054-006	1	\$8.4	\$21.42	
B1 — B3	FRMASMB8064	MOUNTING BRACKET,ASSY,POWER MODULE W/HARDWARE,JAZZY600	1	\$12.6	\$32.13	
B1	DWR1056E018	POWER MODULE MOUNTING BRACKET,E-1056-018	1	\$12.6	\$32.13	
B2	SCRPPH1050	SCREW,PPH,BLACK ZINC,M4-.7 X 10MM	2	\$1.05	\$2.68	
B3	WASMETR1042	WASHER,FLAT,BLACK ZINC,4.3MM ID X 12MM OD X 1MM TH,METRIC,GB96-4	2	\$1.05	\$2.68	



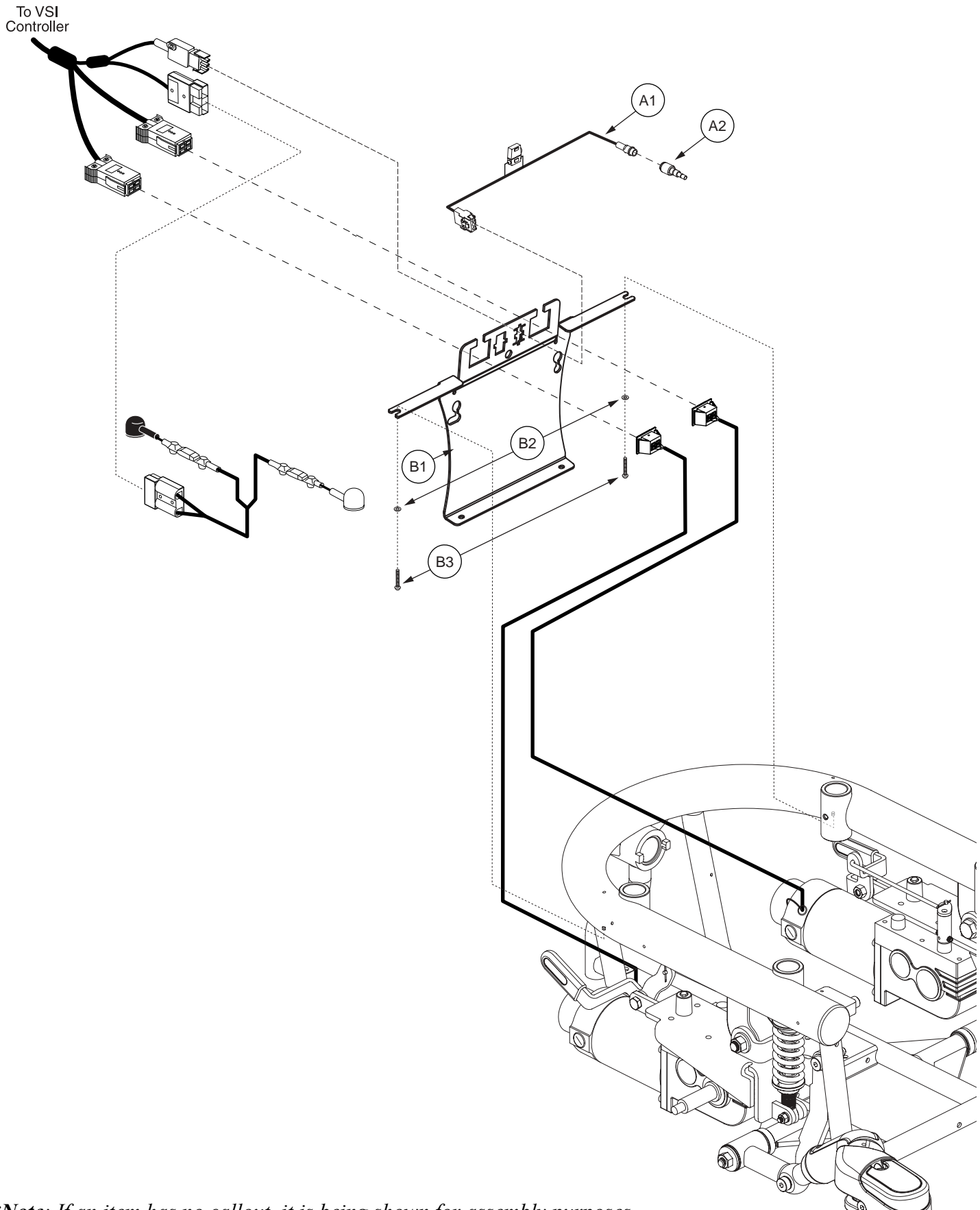
**Note: If an item has no callout, it is being shown for assembly purposes.*

REF #	PART #	DESCRIPTION	QTY	Dealer \$	MSRP	11i
A1 — B3	ELEASMB4512	ELECTRONIC,ASSY,VSI,JAZZY600,OFFBOARD CHARGER	1	\$14.7	\$37.49	
A1	HARUSHD2080	ELECTRONIC,HARNESS,3 PIN,RUN PLUG,FEMALE,H-1200-071	1	\$1.05	\$2.68	
B1 — B3	FRMASMB8064	MOUNTING BRACKET,ASSY,POWER MODULE W/HARDWARE,JAZZY600	1	\$12.6	\$32.13	
B1	DWR1056E018	POWER MODULE MOUNTING BRACKET,E-1056-018	1	\$12.6	\$32.13	
B2	SCRPPH1050	SCREW,PPH,BLACK ZINC,M4-.7 X 10MM	2	\$1.05	\$2.68	
B3	WASMETR1042	WASHER,FLAT,BLACK ZINC,4.3MM ID X 12MM OD X 1MM TH,METRIC,GB96-4	2	\$1.05	\$2.68	



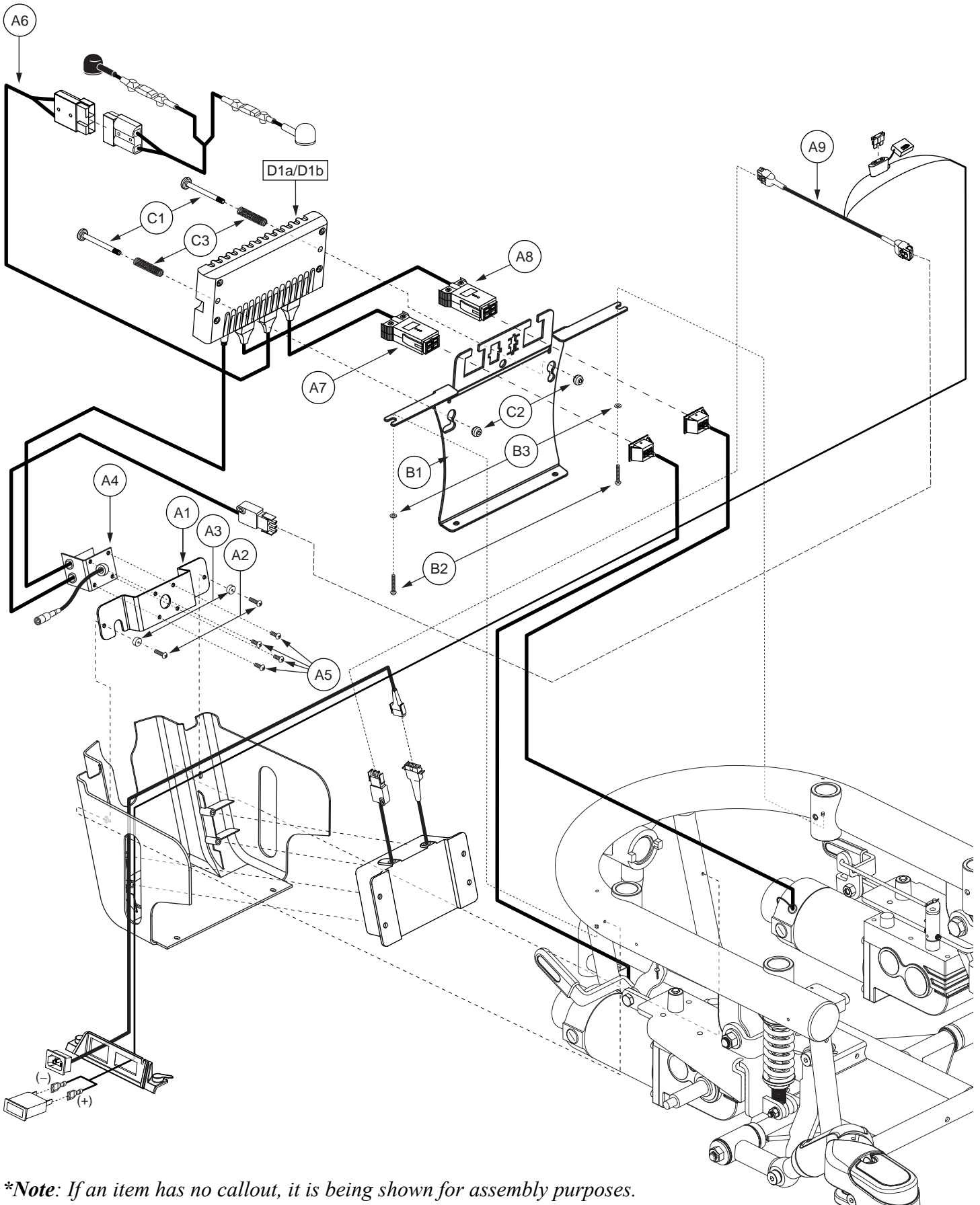
**Note: If an item has no callout, it is being shown for assembly purposes.*

REF #	PART #	DESCRIPTION	QTY	Dealer \$	MSRP	11i
A1 — B3	ELEASMB4511	ELECTRONIC,ASSY,VSI,JAZZY600/QUANTUM600,QUANTUM	1	\$46.2	\$117.81	
A1	DWR1054H013	ELECTRONIC,HARNESS,CHARGER/POWER TAKE OFF(PTO)/INHIBIT,H-1054-013	1	\$28.35	\$72.29	
A2	DWR1361H038	ELECTRONIC,HARNESS,RUN PLUG,SURE SEAL,SYNERGY TILT,H-1361-038	1	\$5.25	\$13.39	
B1 — B3	FRMASMB8064	MOUNTING BRACKET,ASSY,POWER MODULE W/HARDWARE,JAZZY600	1	\$12.6	\$32.13	
B1	DWR1056E018	POWER MODULE MOUNTING BRACKET,E-1056-018	1	\$12.6	\$32.13	
B2	SCRPPH1050	SCREW,PPH,BLACK ZINC,M4-.7 X 10MM	2	\$1.05	\$2.68	
B3	WASMETR1042	WASHER,FLAT,BLACK ZINC,4.3MM ID X 12MM OD X 1MM TH,METRIC,GB96-4	2	\$1.05	\$2.68	



**Note: If an item has no callout, it is being shown for assembly purposes.*

REF #	PART #	DESCRIPTION	QTY	Dealer \$	MSRP	11i
A1 — B3	ELEASMB4514	ELECTRONIC,ASSY,VSI,JAZZY600,OFFBOARD CHARGER,QUANTUM	1	\$33.6	\$85.68	
A1	DWR1116H034	ELECTRONIC,HARNESS,POWER TAKE OFF(PTO)/INHIBIT,VSI,H-1116-034	1	\$15.75	\$40.16	
A2	DWR1361H038	ELECTRONIC,HARNESS,RUN PLUG,SURE SEAL,SYNERGY TILT,H-1361-038	1	\$5.25	\$13.39	
B1 — B3	FRMASMB8064	MOUNTING BRACKET,ASSY,POWER MODULE W/HARDWARE,JAZZY600	1	\$12.6	\$32.13	
B1	DWR1056E018	POWER MODULE MOUNTING BRACKET,E-1056-018	1	\$12.6	\$32.13	
B2	WASMETR1042	WASHER,FLAT,BLACK ZINC,4.3MM ID X 12MM OD X 1MM TH,METRIC,GB96-4	2	\$1.05	\$2.68	
B3	SCRPPH1050	SCREW,PPH,BLACK ZINC,M4-.7 X 10MM	2	\$1.05	\$2.68	

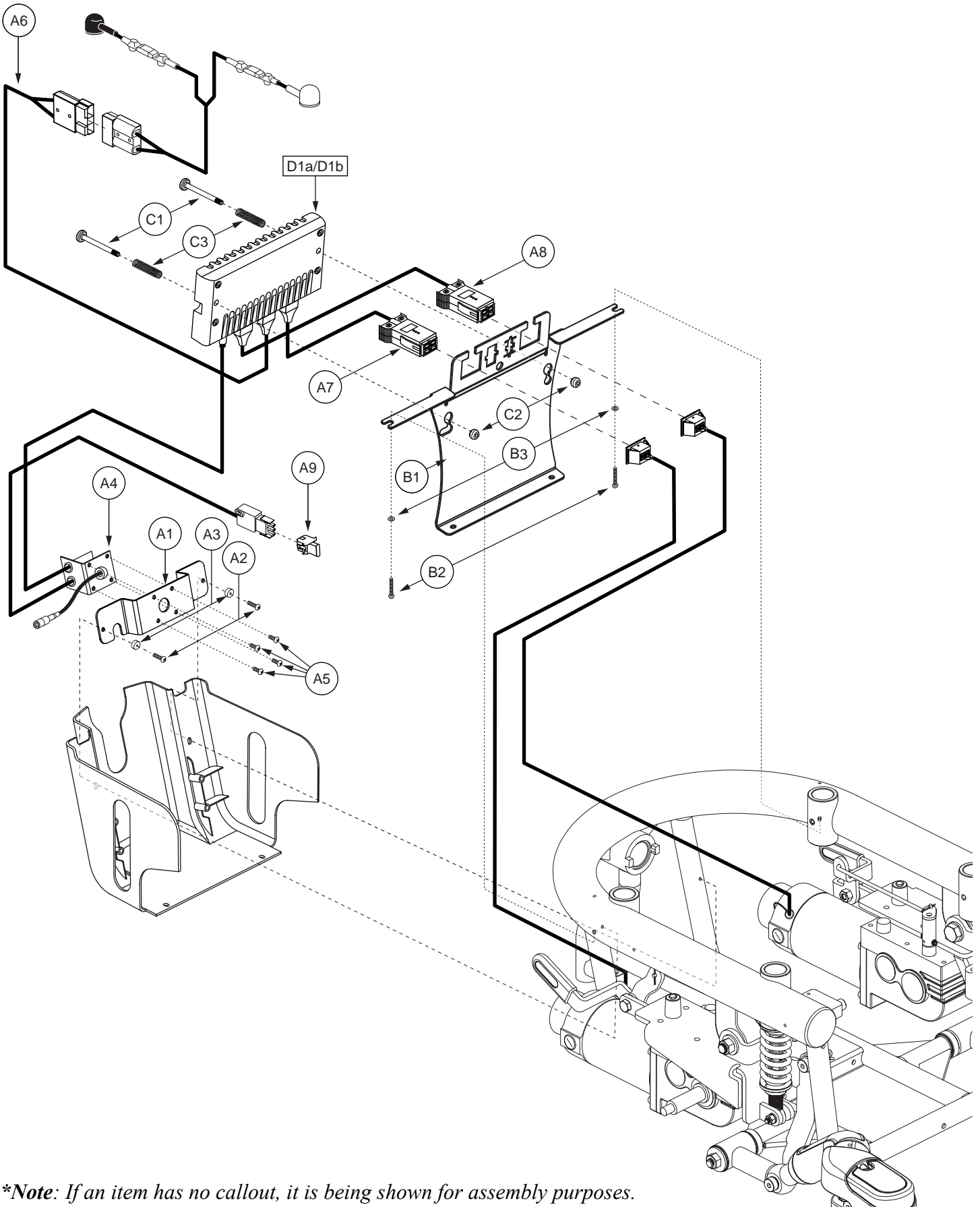


**Note: If an item has no callout, it is being shown for assembly purposes.*

REF #	PART #	DESCRIPTION	QTY	Dealer \$	MSRP	11i
*A1 — D1a	ELEASMB4515	ELECTRONIC,ASSY,REMOTE PLUS,QUANTUM600,ONBOARD CHARGER	1	\$751.8	\$1917.09	
*A1 — D1b	ELEASMB4519	ELECTRONIC,ASSY,REMOTE PLUS(PROFILED),QUANTUM600,ONBOARD CHARGER	1	\$751.8	\$1917.09	
A1	DWR1054C021	POWER INTERFACE MOUNTING BRACKET,REMOTE PLUS,C-1054-021	1	\$14.7	\$37.49	
A2	SCRPPH1163	SCREW,PPH,BLACK ZINC,M4-.7 X 10MM	2	\$1.05	\$2.68	
A3	DWR1054A011	SPACER,BLACK,NYLON,4MM ID X 19MM OD X 8MM TH,A-1054-011	2	\$1.05	\$2.68	
A4	DWR1010H051	ELECTRONIC,HARNESS,POWER INTERFACE/CHARGER CABLE,REMOTE PLUS, RIGHT,H-1010-051	1	\$80.85	\$206.17	
A5	SCRPPH1032	SCREW,PPH-THREAD CUTTING,BLACK ZINC,6-32 X 0.375",TYPE F	4	\$1.05	\$2.68	
A6	DWR1054H007	ELECTRONIC,HARNESS,BATTERY CABLE, REMOTE PLUS,H-1054-007	1	\$17.85	\$45.52	
A7	HARUSHD2219	ELECTRONIC,HARNESS,REMOTE PLUS,MOTOR,1113,RIGHT	1	\$27.3	\$69.62	
A8	HARUSHD2218	ELECTRONIC,HARNESS,REMOTE PLUS,MOTOR,1113,LEFT	1	\$27.3	\$69.62	
A9	DWR1054H006	ELECTRONIC,HARNESS,CHARGER CABLE,H-1054-006	1	\$8.4	\$21.42	
B1 — B3	FRMASMB8064	MOUNTING BRACKET,ASSY,POWER MODULE W/HARDWARE,JAZZY600	1	\$12.6	\$32.13	
B1	DWR1056E018	POWER MODULE MOUNTING BRACKET,E-1056-018	1	\$12.6	\$32.13	
B2	SCRPPH1050	SCREW,PPH,BLACK ZINC,M4-.7 X 10MM	2	\$1.05	\$2.68	
B3	WASMETR1042	WASHER,FLAT,BLACK ZINC,4.3MM ID X 12MM OD X 1MM TH,METRIC,GB96-4	2	\$1.05	\$2.68	
C1 — C3	HDWASMB1057	QUICK RELEASE BUTTON,ASSY,REMOTE PLUS POWER MODULE,JAZZYULTRA	1	\$15.75	\$40.16	
C1	DWR1054B040	POWER MODULE SCREW,ZINC,M5-.8 X 55MM,B-1054-040	2	\$5.25	\$13.39	
C2	DWR1054A012	POWER MODULE BUTTON,ZINC,M5-.8 TAP THRU X 12MM OD,A-1054-012	2	\$3.15	\$8.03	
C3	DWR1054B041	SPRING,COMPRESSION,BRIGHT ZINC,1.50" FL X 0.30" OD X 0.038" WIRE DIA X RATE:13.5LBS/IN,MUSIC WIRE,B-1054-041,(MCMaster CARR:9434K62)	2	\$4.2	\$10.71	
D1a	ELEASMB4523	CONTROLLER,REMOTE PLUS,ASSY,70AMP,W/MWD GLIDE PROGRAM	1	\$529.2	\$1349.46	
D1b	ELEASMB4524	CONTROLLER,REMOTE PLUS(PROFILED),ASSY,70 AMP,W/MWD GLIDE PROGRAM	1	\$529.2	\$1349.46	

Notes :

*A1 — D1a Does not include D1b. For use on units equipped with single profile controllers.
 *A1 — D1b Does not include D1a. For use on units equipped with multiple profile controllers.

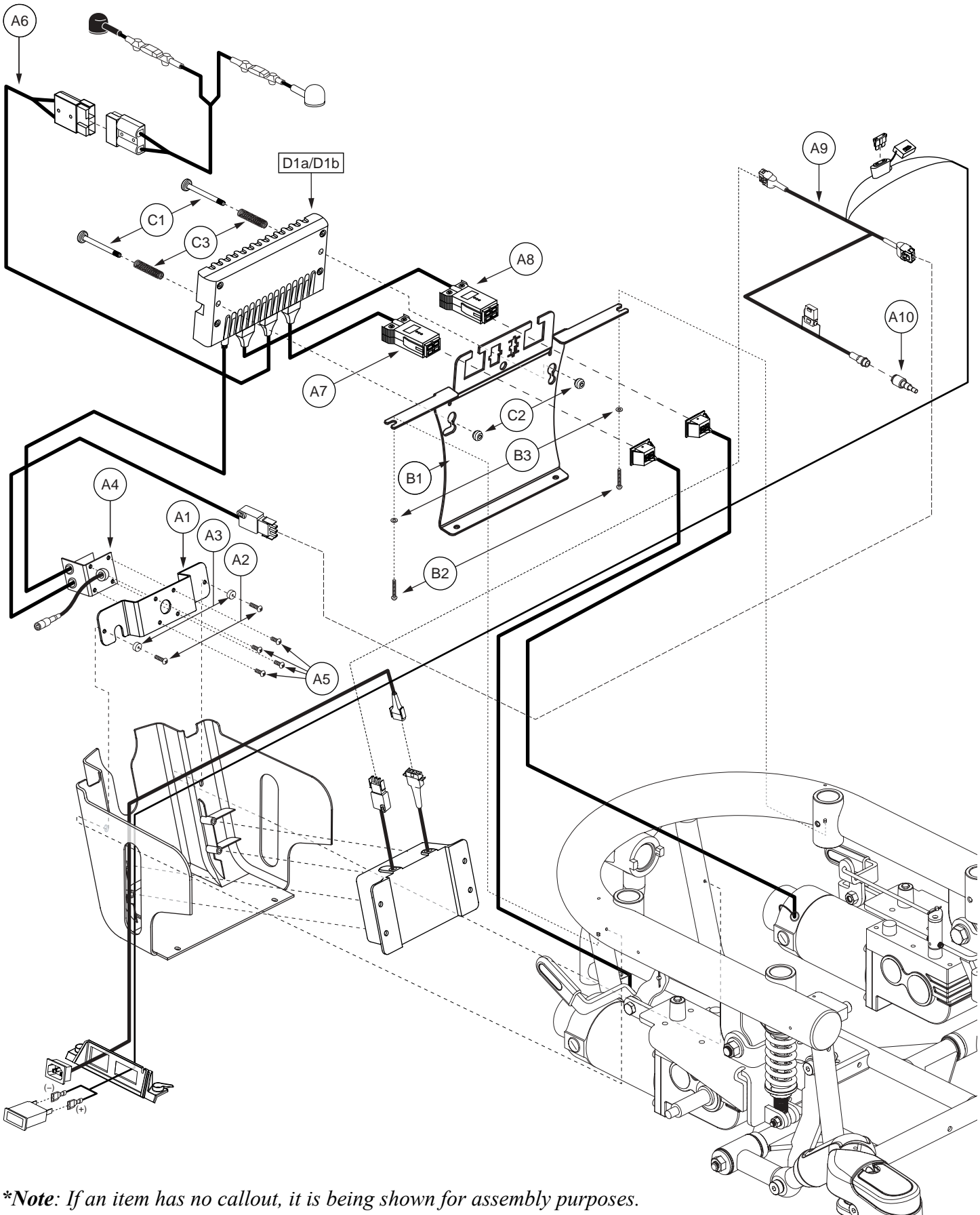


**Note: If an item has no callout, it is being shown for assembly purposes.*

REF #	PART #	DESCRIPTION	QTY	Dealer \$	MSRP	11i
*A1 — D1a	ELEASMB4517	ELECTRONIC,ASSY,REMOTE PLUS,QUANTUM600,OFFBOARD CHARGER	1	\$740.25	\$1887.64	
*A1 — D1b	ELEASMB4521	ELECTRONIC,ASSY,REMOTE PLUS(PROFILED),QUANTUM600,OFFBOARD CHARGER	1	\$731.85	\$1866.22	
A1	DWR1054C021	POWER INTERFACE MOUNTING BRACKET,REMOTE PLUS,C-1054-021	1	\$14.7	\$37.49	
A2	SCRPPH1163	SCREW,PPH,BLACK ZINC,M4-.7 X 10MM	2	\$1.05	\$2.68	
A3	DWR1054A011	SPACER,BLACK,NYLON,4MM ID X 19MM OD X 8MM TH,A-1054-011	2	\$1.05	\$2.68	
A4	DWR1010H051	ELECTRONIC,HARNESS,POWER INTERFACE/CHARGER CABLE,REMOTE PLUS, RIGHT,H-1010-051	1	\$80.85	\$206.17	
A5	SCRPPH1032	SCREW,PPH-THREAD CUTTING,BLACK ZINC,6-32 X 0.375",TYPE F	4	\$1.05	\$2.68	
A6	DWR1054H007	ELECTRONIC,HARNESS,BATTERY CABLE, REMOTE PLUS,H-1054-007	1	\$17.85	\$45.52	
A7	HARUSHD2219	ELECTRONIC,HARNESS,REMOTE PLUS,MOTOR,1113,RIGHT	1	\$27.3	\$69.62	
A8	HARUSHD2218	ELECTRONIC,HARNESS,REMOTE PLUS,MOTOR,1113,LEFT	1	\$27.3	\$69.62	
A9	HARUSHD2080	ELECTRONIC,HARNESS,3 PIN,RUN PLUG,FEMALE,H-1200-071	1	\$1.05	\$2.68	
B1 — B3	FRMASMB8064	MOUNTING BRACKET,ASSY,POWER MODULE W/HARDWARE,JAZZY600	1	\$12.6	\$32.13	
B1	DWR1056E018	POWER MODULE MOUNTING BRACKET,E-1056-018	1	\$12.6	\$32.13	
B2	SCRPPH1050	SCREW,PPH,BLACK ZINC,M4-.7 X 10MM	2	\$1.05	\$2.68	
B3	WASMETR1042	WASHER,FLAT,BLACK ZINC,4.3MM ID X 12MM OD X 1MM TH,METRIC,GB96-4	2	\$1.05	\$2.68	
C1 — C3	HDWASMB1057	QUICK RELEASE BUTTON,ASSY,REMOTE PLUS POWER MODULE,JAZZYULTRA	1	\$15.75	\$40.16	
C1	DWR1054B040	POWER MODULE SCREW,ZINC,M5-.8 X 55MM,B-1054-040	2	\$5.25	\$13.39	
C2	DWR1054A012	POWER MODULE BUTTON,ZINC,M5-.8 TAP THRU X 12MM OD,A-1054-012	2	\$3.15	\$8.03	
C3	DWR1054B041	SPRING,COMPRESSION,BRIGHT ZINC,1.50" FL X 0.30" OD X 0.038" WIRE DIA X RATE:13.5LBS/IN,MUSIC WIRE,B-1054-041,(MCMaster CARR:9434K62)	2	\$4.2	\$10.71	
D1a	ELEASMB4550	CONTROLLER,REMOTE PLUS,ASSY,70 AMP,MWD GLIDE MOTOR PROGRAM	1	\$529.2	\$1349.46	
D1b	ELEASMB4551	CONTROLLER,REMOTE PLUS(PROFILED),ASSY,70 AMP,MWD GLIDE MOTOR PROGRAM	1	\$529.2	\$1349.46	

Notes :

- *A1 — D1a Does not contain D1b. For use on units equipped with single profile controllers.
- *A1 — D1b Does not contain D1a. For use on units equipped with multiple profile controllers.



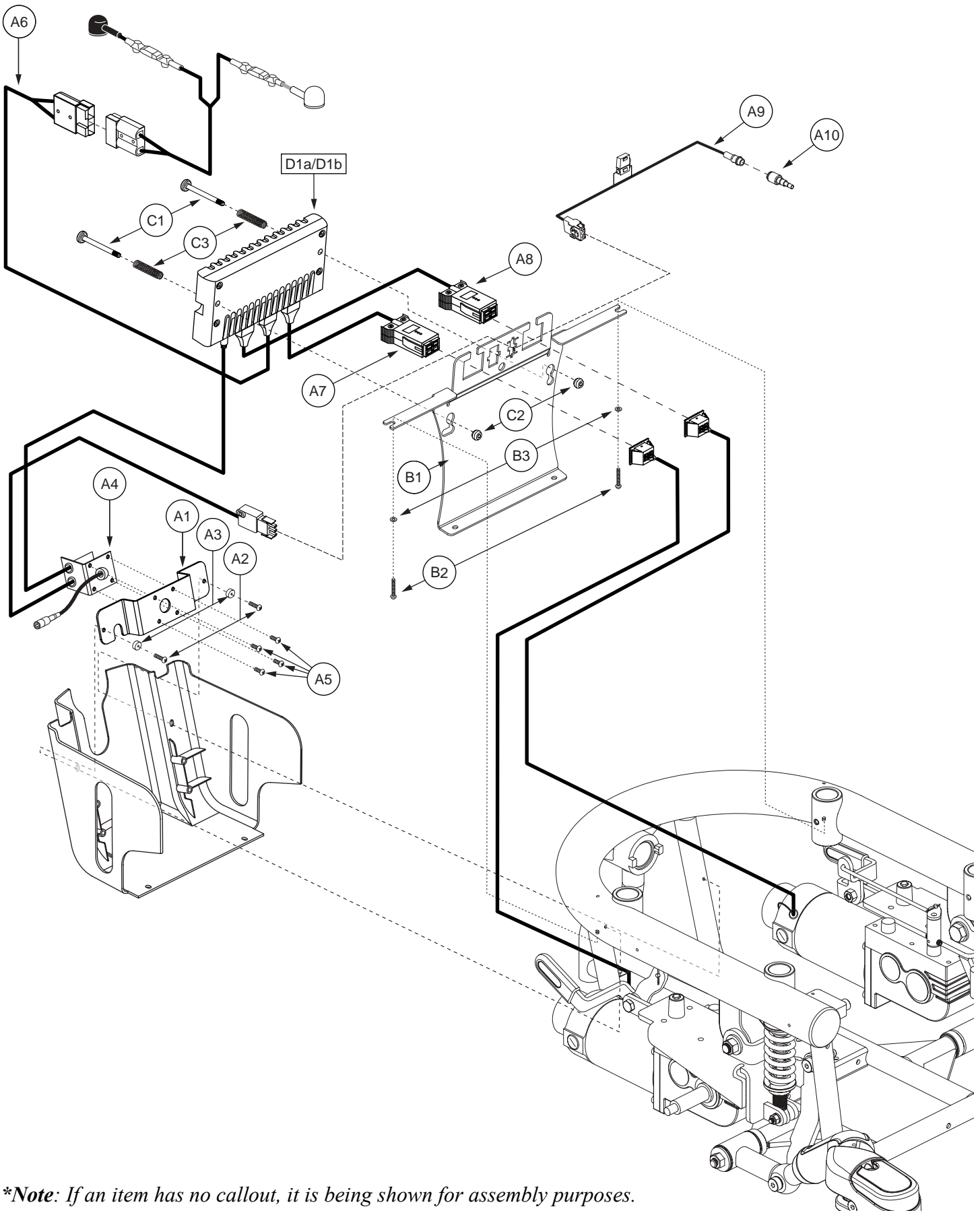
**Note: If an item has no callout, it is being shown for assembly purposes.*

REF #	PART #	DESCRIPTION	QTY	Dealer \$	MSRP	11i
*A1 — D1a	ELEASMB4516	ELECTRONIC,ASSY,REMOTE PLUS,GLIDE MOTORS,QUANTUM600,ONBOARD CHARGER,QUANTUM	1	\$772.8	\$1970.64	
*A1 — D1b	ELEASMB4520	ELECTRONIC,ASSY,REMOTE PLUS(PROFILED),GLIDE MOTORS,QUANTUM600,ONBOARD CHARGER,QUANTUM	1	\$767.55	\$1957.25	
A1	DWR1054C021	POWER INTERFACE MOUNTING BRACKET,REMOTE PLUS,C-1054-021	1	\$14.7	\$37.49	
A2	SCRPPH1163	SCREW,PPH,BLACK ZINC,M4-.7 X 10MM	2	\$1.05	\$2.68	
A3	DWR1054A011	SPACER,BLACK,NYLON,4MM ID X 19MM OD X 8MM TH,A-1054-011	2	\$1.05	\$2.68	
A4	DWR1010H051	ELECTRONIC,HARNESS,POWER INTERFACE/CHARGER CABLE, REMOTE PLUS, RIGHT,H-1010-051	1	\$80.85	\$206.17	
A5	SCRPPH1032	SCREW,PPH-THREAD CUTTING,BLACK ZINC,6-32 X 0.375",TYPE F	4	\$1.05	\$2.68	
A6	DWR1054H007	ELECTRONIC,HARNESS,BATTERY CABLE, REMOTE PLUS,H-1054-007	1	\$17.85	\$45.52	
A7	HARUSHD2219	ELECTRONIC,HARNESS,REMOTE PLUS,MOTOR,1113,RIGHT	1	\$27.3	\$69.62	
A8	HARUSHD2218	ELECTRONIC,HARNESS,REMOTE PLUS,MOTOR,1113,LEFT	1	\$27.3	\$69.62	
A9	DWR1054H013	ELECTRONIC,HARNESS,CHARGER/POWER TAKE OFF(PTO)/INHIBIT,H-1054-013	1	\$28.35	\$72.29	
A10	DWR1361H038	ELECTRONIC,HARNESS,RUN PLUG,SURE SEAL,SYNERGY TILT,H-1361-038	1	\$5.25	\$13.39	
B1 — B3	FRMASMB8064	MOUNTING BRACKET,ASSY,POWER MODULE W/HARDWARE,JAZZY600	1	\$12.6	\$32.13	
B1	DWR1056E018	POWER MODULE MOUNTING BRACKET,E-1056-018	1	\$12.6	\$32.13	
B2	SCRPPH1050	SCREW,PPH,BLACK ZINC,M4-.7 X 10MM	2	\$1.05	\$2.68	
B3	WASMETR1042	WASHER,FLAT,BLACK ZINC,4.3MM ID X 12MM OD X 1MM TH,METRIC,GB96-4	2	\$1.05	\$2.68	
C1 — C3	HDWASMB1057	QUICK RELEASE BUTTON,ASSY,REMOTE PLUS POWER MODULE,JAZZYULTRA	1	\$15.75	\$40.16	
C1	DWR1054B040	POWER MODULE SCREW,ZINC,M5-.8 X 55MM,B-1054-040	2	\$5.25	\$13.39	
C2	DWR1054A012	POWER MODULE BUTTON,ZINC,M5-.8 TAP THRU X 12MM OD,A-1054-012	2	\$3.15	\$8.03	
C3	DWR1054B041	SPRING,COMPRESSION,BRIGHT ZINC,1.50" FL X 0.30" OD X 0.038" WIRE DIA X RATE:13.5LBS/IN,MUSIC WIRE,B-1054-041,(MCMaster CARR:9434K62)	2	\$4.2	\$10.71	
D1a	ELEASMB4523	CONTROLLER,REMOTE PLUS,ASSY,70AMP,W/MWD GLIDE PROGRAM	1	\$529.2	\$1349.46	
D1b	ELEASMB4524	CONTROLLER,REMOTE PLUS(PROFILED),ASSY,70 AMP,W/MWD GLIDE PROGRAM	1	\$529.2	\$1349.46	

Notes :

*A1 — D1a
*A1 — D1b

Does not include D1b. For use on units equipped with single profile controllers.
Does not include D1a. For use on units equipped with multiple profile controllers.

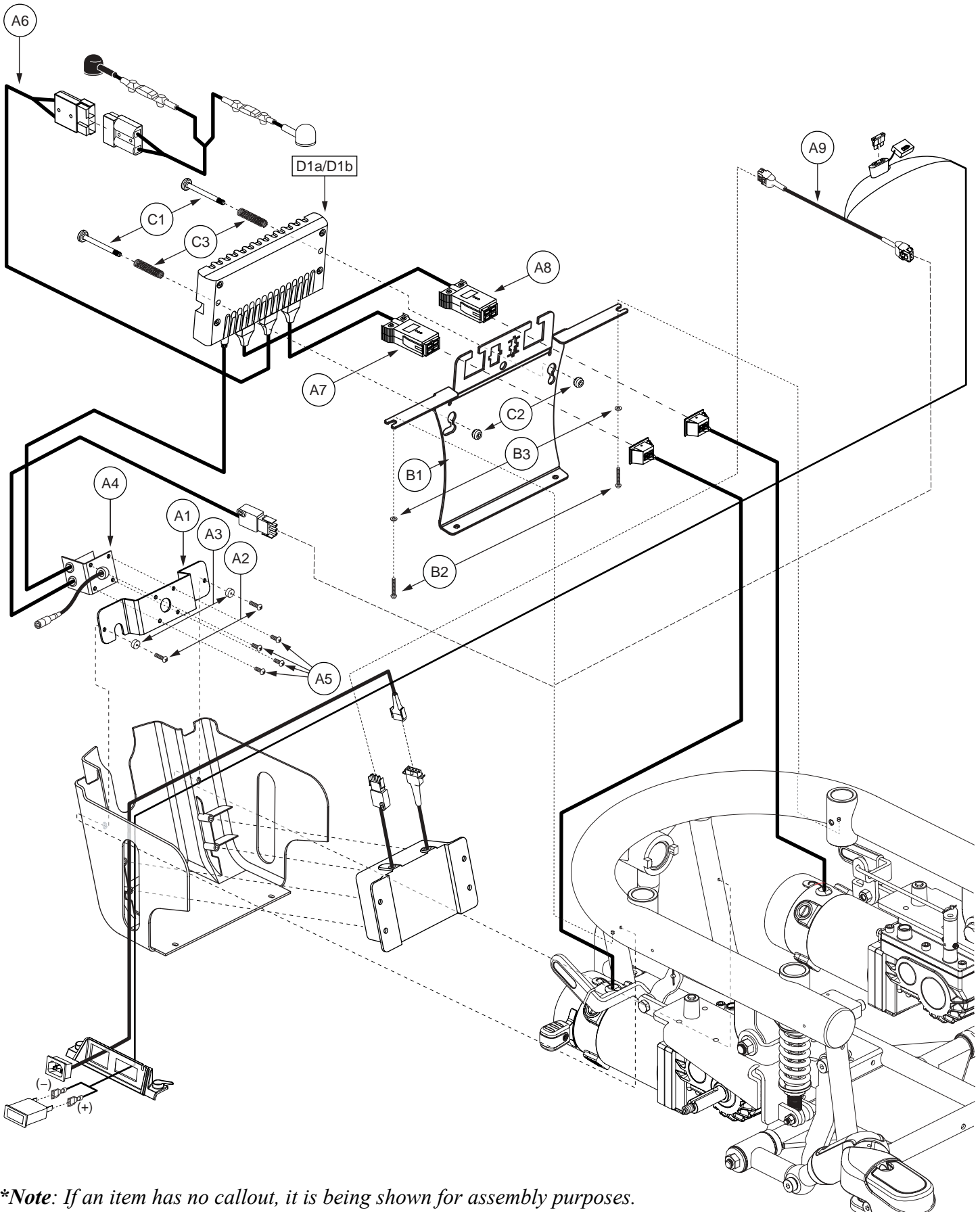


**Note: If an item has no callout, it is being shown for assembly purposes.*

REF #	PART #	DESCRIPTION	QTY	Dealer \$	MSRP	11i
*A1 — D1a	ELEASMB4518	ELECTRONIC,ASSY,REMOTE PLUS,QUANTUM600,OFFBOARD CHARGER,QUANTUM	1	\$760.2	\$1938.51	
*A1 — D1b	ELEASMB4522	ELECTRONIC,ASSY,REMOTE PLUS(PROFILED),QUANTUM600,OFFBOARD CHARGER,QUANTUM	1	\$760.2	\$1938.5	
A1	DWR1054C021	POWER INTERFACE MOUNTING BRACKET,REMOTE PLUS,C-1054-021	1	\$14.7	\$37.49	
A2	SCRPPH1163	SCREW,PPH,BLACK ZINC,M4-.7 X 10MM	2	\$1.05	\$2.68	
A3	DWR1054A011	SPACER,BLACK,NYLON,4MM ID X 19MM OD X 8MM TH,A-1054-011	2	\$1.05	\$2.68	
A4	DWR1010H051	ELECTRONIC,HARNESS,POWER INTERFACE/CHARGER CABLE, REMOTE PLUS, RIGHT,H-1010-051	1	\$80.85	\$206.17	
A5	SCRPPH1032	SCREW,PPH-THREAD CUTTING,BLACK ZINC,6-32 X 0.375",TYPE F	4	\$1.05	\$2.68	
A6	DWR1054H007	ELECTRONIC,HARNESS,BATTERY CABLE, REMOTE PLUS,H-1054-007	1	\$17.85	\$45.52	
A7	HARUSHD2219	ELECTRONIC,HARNESS,REMOTE PLUS,MOTOR,1113,RIGHT	1	\$27.3	\$69.62	
A8	HARUSHD2218	ELECTRONIC,HARNESS,REMOTE PLUS,MOTOR,1113,LEFT	1	\$27.3	\$69.62	
A9	DWR1116H034	ELECTRONIC,HARNESS,POWER TAKE OFF(PTO)/INHIBIT,VSI,H-1116-034	1	\$15.75	\$40.16	
A10	DWR1361H038	ELECTRONIC,HARNESS,RUN PLUG,SURE SEAL,SYNERGY TILT,H-1361-038	1	\$5.25	\$13.39	
B1 — B3	FRMASMB8064	MOUNTING BRACKET,ASSY,POWER MODULE W/HARDWARE,JAZZY600	1	\$12.6	\$32.13	
B1	DWR1056E018	POWER MODULE MOUNTING BRACKET,E-1056-018	1	\$12.6	\$32.13	
B2	SCRPPH1050	SCREW,PPH,BLACK ZINC,M4-.7 X 10MM	2	\$1.05	\$2.68	
B3	WASMETR1042	WASHER,FLAT,BLACK ZINC,4.3MM ID X 12MM OD X 1MM TH,METRIC,GB96-4	2	\$1.05	\$2.68	
C1 — C3	HDWASMB1057	QUICK RELEASE BUTTON,ASSY,REMOTE PLUS POWER MODULE,JAZZYULTRA	1	\$15.75	\$40.16	
C1	DWR1054B040	POWER MODULE SCREW,ZINC,M5-.8 X 55MM,B-1054-040	2	\$5.25	\$13.39	
C2	DWR1054A012	POWER MODULE BUTTON,ZINC,M5-.8 TAP THRU X 12MM OD,A-1054-012	2	\$3.15	\$8.03	
C3	DWR1054B041	SPRING,COMPRESSION,BRIGHT ZINC,1.50" FL X 0.30" OD X 0.038" WIRE DIA X RATE:13.5LBS/IN,MUSIC WIRE,B-1054-041,(MCMaster CARR:9434K62)	2	\$4.2	\$10.71	
D1a	ELEASMB4550	CONTROLLER,REMOTE PLUS,ASSY,70 AMP,MWD GLIDE MOTOR PROGRAM	1	\$529.2	\$1349.46	
D1b	ELEASMB4551	CONTROLLER,REMOTE PLUS(PROFILED),ASSY,70 AMP,MWD GLIDE MOTOR PROGRAM	1	\$529.2	\$1349.46	

Notes :

- *A1 — D1a Does not include D1b. For units equipped with single profile controllers.
 *A1 — D1b Does not include D1a. For units equipped with multiple profile controllers.



**Note: If an item has no callout, it is being shown for assembly purposes.*

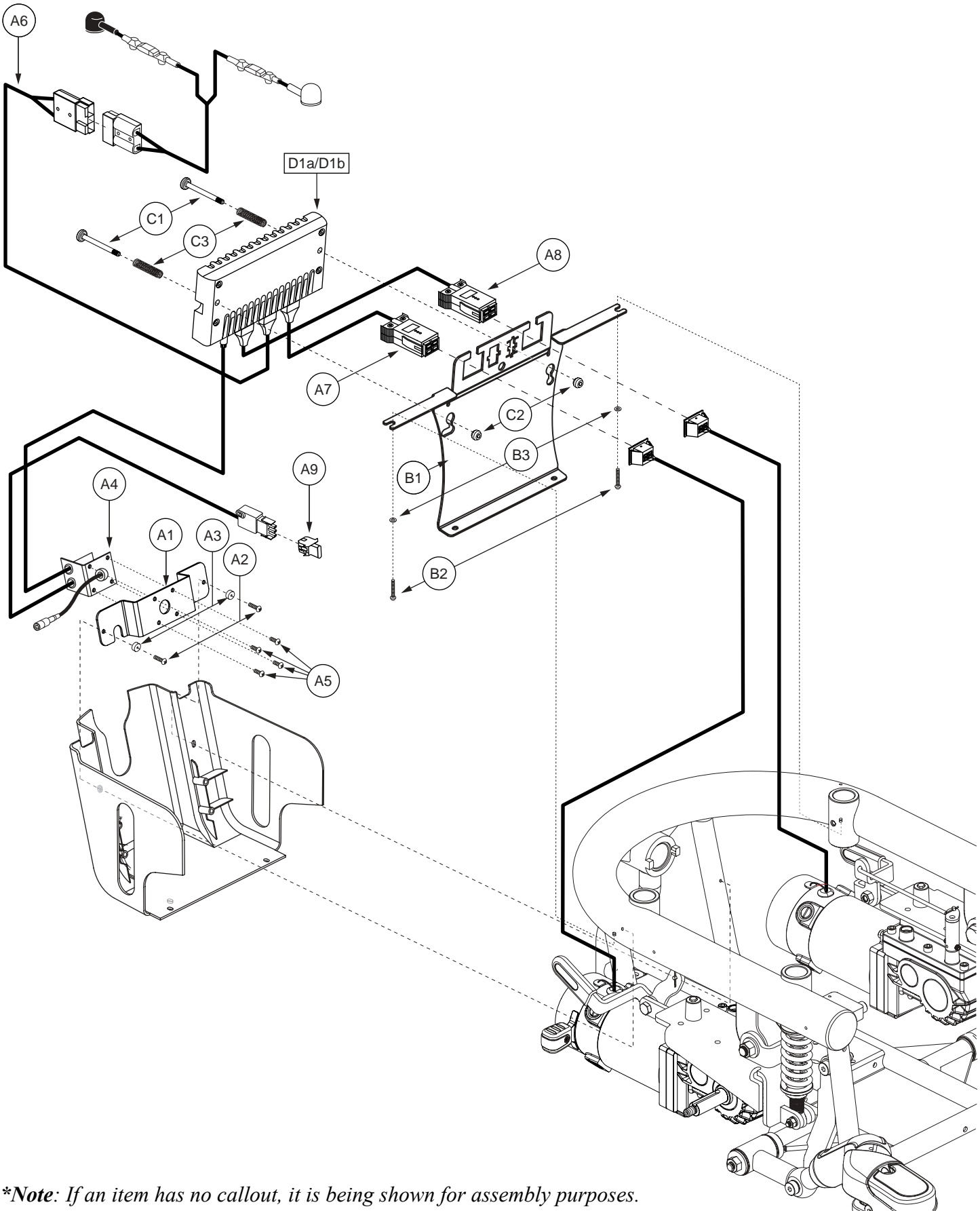
REF #	PART #	DESCRIPTION	QTY	Dealer \$	MSRP	11i
*A1 — D1a	ELEASMB5450	ELECTRONIC,ASSY,REMOTE PLUS,QUANTUM600,H2 MOTORS,ONBOARD CHARGER	1	\$737.31	\$1880.14	
*A1 — D1b	ELEASMB5454	ELECTRONIC,ASSY,REMOTE PLUS(PROFILED),QUANTUM600,H2 MOTORS,ONBOARD CHARGER	1	\$737.31	\$1880.14	
A1	DWR1054C021	POWER INTERFACE MOUNTING BRACKET,REMOTE PLUS,C-1054-021	1	\$14.7	\$37.49	
A2	SCRPPH1163	SCREW,PPH,BLACK ZINC,M4-.7 X 10MM	2	\$1.05	\$2.68	
A3	DWR1054A011	SPACER,BLACK,NYLON,4MM ID X 19MM OD X 8MM TH,A-1054-011	2	\$1.05	\$2.68	
A4	DWR1010H051	ELECTRONIC,HARNESS,POWER INTERFACE/CHARGER CABLE,REMOTE PLUS, RIGHT,H-1010-051	1	\$80.85	\$206.17	
A5	SCRPPH1032	SCREW,PPH-THREAD CUTTING,BLACK ZINC,6-32 X 0.375",TYPE F	4	\$1.05	\$2.68	
A6	DWR1054H007	ELECTRONIC,HARNESS,BATTERY CABLE, REMOTE PLUS,H-1054-007	1	\$17.85	\$45.52	
A7	HARUSHD2219	ELECTRONIC,HARNESS,REMOTE PLUS,MOTOR,1113,RIGHT	1	\$27.3	\$69.62	
A8	HARUSHD2218	ELECTRONIC,HARNESS,REMOTE PLUS,MOTOR,1113,LEFT	1	\$27.3	\$69.62	
A9	DWR1054H006	ELECTRONIC,HARNESS,CHARGER CABLE,H-1054-006	1	\$8.4	\$21.42	
B1 — B3	FRMASMB8064	MOUNTING BRACKET,ASSY,POWER MODULE W/HARDWARE,JAZZY600	1	\$12.6	\$32.13	
B1	DWR1056E018	POWER MODULE MOUNTING BRACKET,E-1056-018	1	\$12.6	\$32.13	
B2	SCRPPH1050	SCREW,PPH,BLACK ZINC,M4-.7 X 10MM	2	\$1.05	\$2.68	
B3	WASMETR1042	WASHER,FLAT,BLACK ZINC,4.3MM ID X 12MM OD X 1MM TH,METRIC,GB96-4	2	\$1.05	\$2.68	
C1 — C3	HDWASMB1057	QUICK RELEASE BUTTON,ASSY,REMOTE PLUS POWER MODULE,JAZZYULTRA	1	\$15.75	\$40.16	
C1	DWR1054B040	POWER MODULE SCREW,ZINC,M5-.8 X 55MM,B-1054-040	2	\$5.25	\$13.39	
C2	DWR1054A012	POWER MODULE BUTTON,ZINC,M5-.8 TAP THRU X 12MM OD,A-1054-012	2	\$3.15	\$8.03	
C3	DWR1054B041	SPRING,COMPRESSION,BRIGHT ZINC,1.50" FL X 0.30" OD X 0.038" WIRE DIA X RATE:13.5LBS/IN,MUSIC WIRE,B-1054-041,(MCMaster CARR:9434K62)	2	\$4.2	\$10.71	
D1a	ELEASMB5445	CONTROLLER,REMOTE PLUS,ASSY,70 AMP,H2 MOTOR PROGRAM	1	\$524.16	\$1336.61	
D1b	ELEASMB5446	CONTROLLER,REMOTE PLUS(PROFILED),ASSY,70 AMP,H2 MOTOR PROGRAM	1	\$524.16	\$1336.61	

Notes :***A1 — D1a**

Does not include D1b. For use on units equipped with single profile controllers.

***A1 — D1b**

Does not include D1a. For use on units equipped with multiple profile controllers.



**Note: If an item has no callout, it is being shown for assembly purposes.*

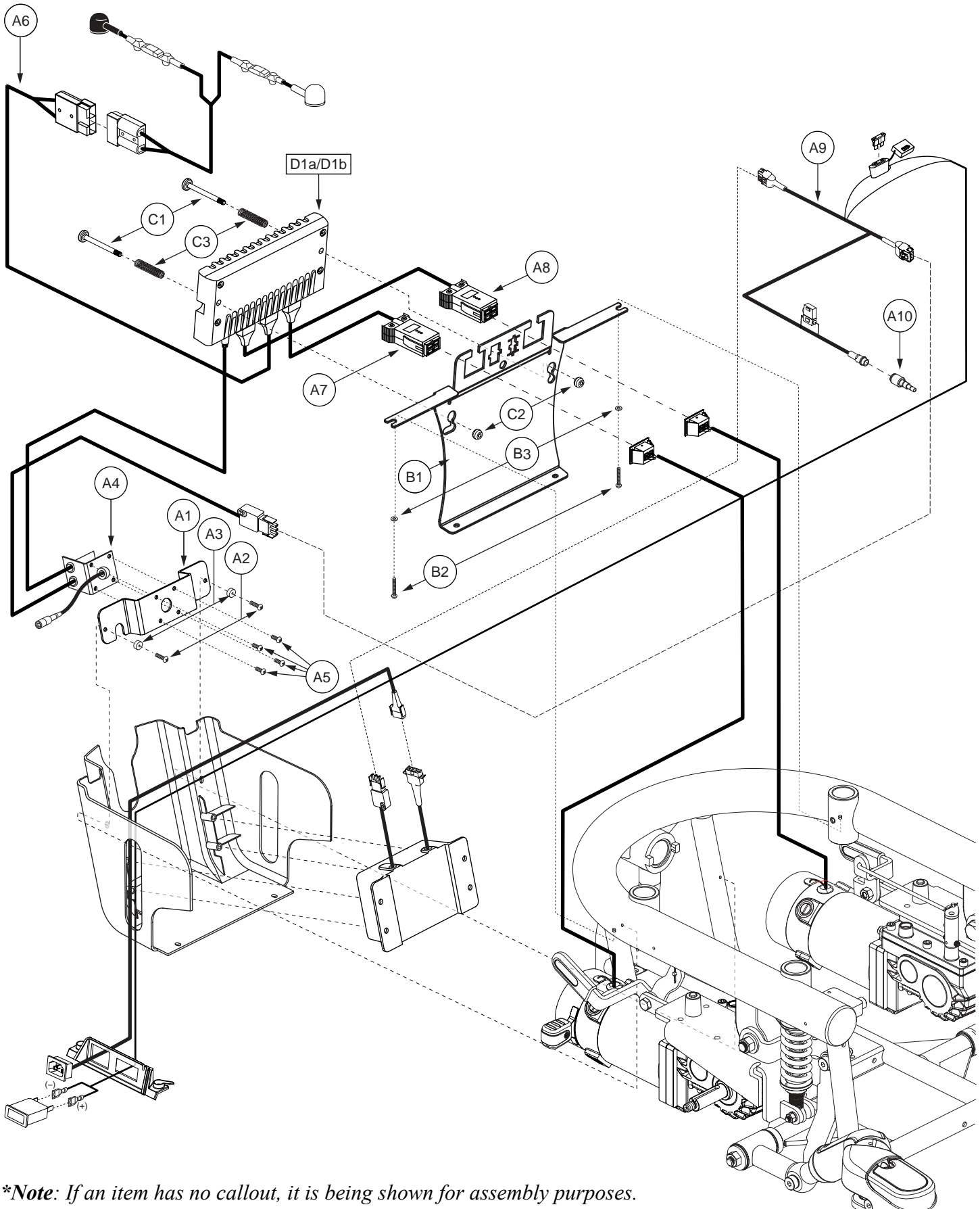
REF #	PART #	DESCRIPTION	QTY	Dealer \$	MSRP	11i
*A1 — D1a	ELEASMB5448	ELECTRONIC,ASSY,REMOTE PLUS,QUANTUM600,H2 MOTORS,OFFBOARD CHARGER	1	\$729.96	\$1861.4	
*A1 — D1b	ELEASMB5452	ELECTRONIC,ASSY,REMOTE PLUS(PROFILED),QUANTUM600,H2 MOTORS,OFFBOARD CHARGER	1	\$729.96	\$1861.4	
A1	DWR1054C021	POWER INTERFACE MOUNTING BRACKET,REMOTE PLUS,C-1054-021	1	\$14.7	\$37.49	
A2	SCRPPH1163	SCREW,PPH,BLACK ZINC,M4-.7 X 10MM	2	\$1.05	\$2.68	
A3	DWR1054A011	SPACER,BLACK,NYLON,4MM ID X 19MM OD X 8MM TH,A-1054-011	2	\$1.05	\$2.68	
A4	DWR1010H051	ELECTRONIC,HARNESS,POWER INTERFACE/CHARGER CABLE, REMOTE PLUS, RIGHT,H-1010-051	1	\$80.85	\$206.17	
A5	SCRPPH1032	SCREW,PPH-THREAD CUTTING,BLACK ZINC,6-32 X 0.375",TYPE F	4	\$1.05	\$2.68	
A6	DWR1054H007	ELECTRONIC,HARNESS,BATTERY CABLE, REMOTE PLUS,H-1054-007	1	\$17.85	\$45.52	
A7	HARUSHD2219	ELECTRONIC,HARNESS,REMOTE PLUS,MOTOR,1113,RIGHT	1	\$27.3	\$69.62	
A8	HARUSHD2218	ELECTRONIC,HARNESS,REMOTE PLUS,MOTOR,1113,LEFT	1	\$27.3	\$69.62	
A9	HARUSHD2080	ELECTRONIC,HARNESS,3 PIN,RUN PLUG,FEMALE,H-1200-071	1	\$1.05	\$2.68	
B1 — B3	FRMASMB8064	MOUNTING BRACKET,ASSY,POWER MODULE W/HARDWARE,JAZZY600	1	\$12.6	\$32.13	
B1	DWR1056E018	POWER MODULE MOUNTING BRACKET,E-1056-018	1	\$12.6	\$32.13	
B2	SCRPPH1050	SCREW,PPH,BLACK ZINC,M4-.7 X 10MM	2	\$1.05	\$2.68	
B3	WASMETR1042	WASHER,FLAT,BLACK ZINC,4.3MM ID X 12MM OD X 1MM TH,METRIC,GB96-4	2	\$1.05	\$2.68	
C1 — C3	HDWASMB1057	QUICK RELEASE BUTTON,ASSY,REMOTE PLUS POWER MODULE,JAZZYULTRA	1	\$15.75	\$40.16	
C1	DWR1054B040	POWER MODULE SCREW,ZINC,M5-.8 X 55MM,B-1054-040	2	\$5.25	\$13.39	
C2	DWR1054A012	POWER MODULE BUTTON,ZINC,M5-.8 TAP THRU X 12MM OD,A-1054-012	2	\$3.15	\$8.03	
C3	DWR1054B041	SPRING,COMPRESSION,BRIGHT ZINC,1.50" FL X 0.30" OD X 0.038" WIRE DIA X RATE:13.5LBS/IN,MUSIC WIRE,B-1054-041,(MCMaster CARR:9434K62)	2	\$4.2	\$10.71	
D1a	ELEASMB5445	CONTROLLER,REMOTE PLUS,ASSY,70 AMP,H2 MOTOR PROGRAM	1	\$524.16	\$1336.61	
D1b	ELEASMB5446	CONTROLLER,REMOTE PLUS(PROFILED),ASSY,70 AMP,H2 MOTOR PROGRAM	1	\$524.16	\$1336.61	

Notes :***A1 — D1a**

Does not contain D1b. For use on units equipped with single profile controllers.

***A1 — D1b**

Does not contain D1a. For use on units equipped with multiple profile controllers.



**Note: If an item has no callout, it is being shown for assembly purposes.*

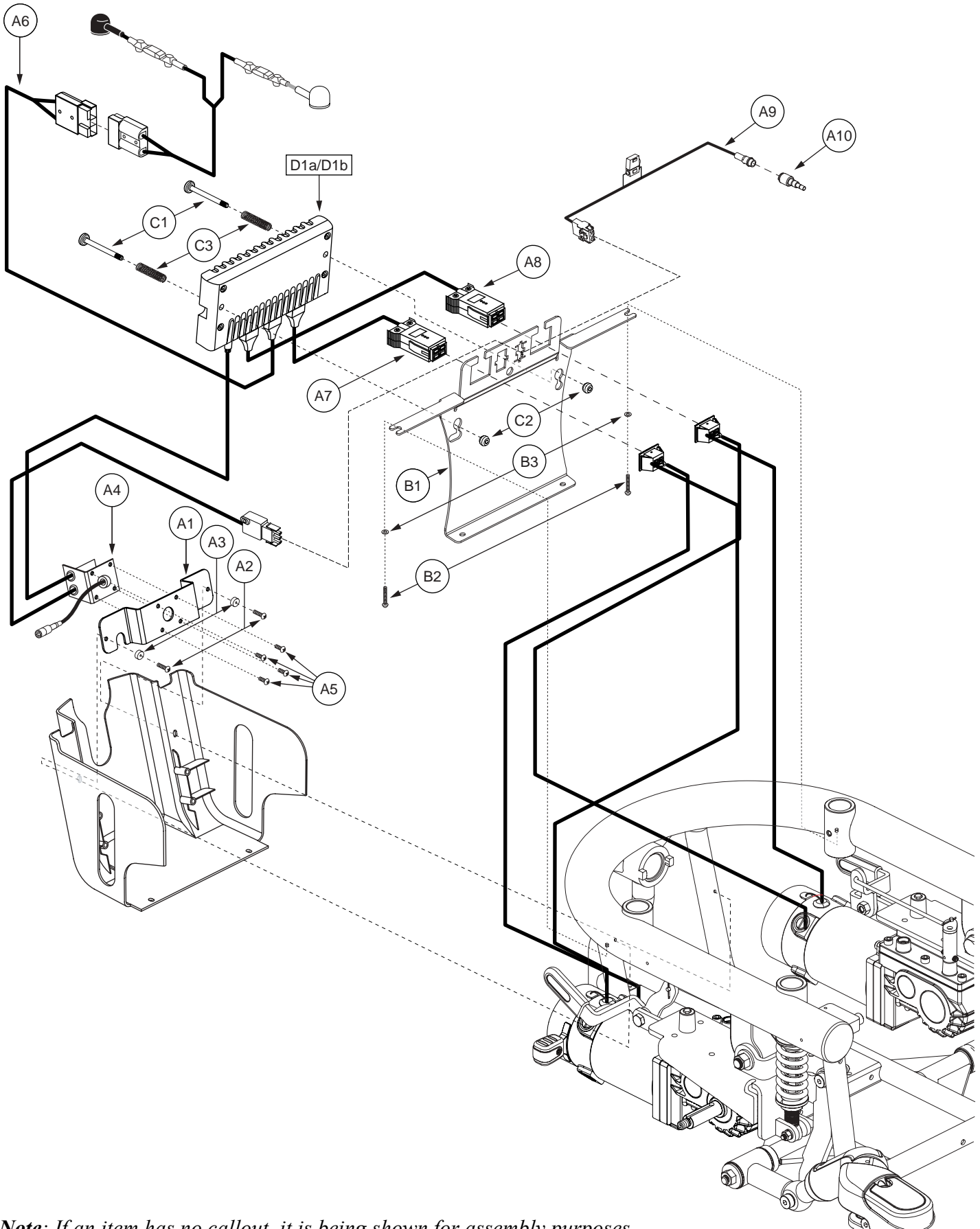
REF #	PART #	DESCRIPTION	QTY	Dealer \$	MSRP	11i
*A1 — D1a	ELEASMB5451	ELECTRONIC,ASSY,REMOTE PLUS,QUANTUM600,H2 MOTORS,ONBOARD CHARGER,QUANTUM	1	\$749.91	\$1912.27	
*A1 — D1b	ELEASMB5453	ELECTRONIC,ASSY,REMOTE PLUS(PROFILED),QUANTUM600,H2 MOTORS,OFFBOARD CHARGER,QUANTUM	1	\$749.91	\$1912.27	
A1	DWR1054C021	POWER INTERFACE MOUNTING BRACKET,REMOTE PLUS,C-1054-021	1	\$14.7	\$37.49	
A2	SCRPPH1163	SCREW, PPH,BZ,M4-.7 X 10MM	2	\$1.05	\$2.68	
A3	DWR1054A011	SPACER,BLACK,NYLON,4MM ID X 19MM OD X 8MM TH,A-1054-011	2	\$1.05	\$2.68	
A4	DWR1010H051	ELECTRONIC,HARNESS,POWER INTERFACE/CHARGER CABLE, REMOTE PLUS, RIGHT,H-1010-051	1	\$80.85	\$206.17	
A5	SCRPPH1032	SCREW,PPH-THREAD CUTTING,BLACK ZINC,6-32 X 0.375",TYPE F	4	\$1.05	\$2.68	
A6	DWR1054H007	ELECTRONIC,HARNESS,BATTERY CABLE, REMOTE PLUS,H-1054-007	1	\$17.85	\$45.52	
A7	HARUSHD2219	ELECTRONIC,HARNESS,REMOTE PLUS,MOTOR,1113,RIGHT	1	\$27.3	\$69.62	
A8	HARUSHD2218	ELECTRONIC,HARNESS,REMOTE PLUS,MOTOR,1113,LEFT	1	\$27.3	\$69.62	
A9	DWR1054H013	ELECTRONIC,HARNESS,CHARGER/POWER TAKE OFF(PTO)/INHIBIT,H-1054-013	1	\$28.35	\$72.29	
A10	DWR1361H038	ELECTRONIC,HARNESS,RUN PLUG,SURE SEAL,SYNERGY TILT,H-1361-038	1	\$5.25	\$13.39	
B1 — B3	FRMASMB8064	MOUNTING BRACKET,ASSY,POWER MODULE W/HARDWARE,JAZZY600	1	\$12.6	\$32.13	
B1	DWR1056E018	POWER MODULE MOUNTING BRACKET,E-1056-018	1	\$12.6	\$32.13	
B2	SCRPPH1050	SCREW,PPH,BLACK ZINC,M4-.7 X 10MM	2	\$1.05	\$2.68	
B3	WASMETR1042	WASHER,FLAT,BLACK ZINC,4.3MM ID X 12MM OD X 1MM TH,METRIC,GB96-4	2	\$1.05	\$2.68	
C1 — C3	HDWASMB1057	QUICK RELEASE BUTTON,ASSY,REMOTE PLUS POWER MODULE,JAZZYULTRA	1	\$15.75	\$40.16	
C1	DWR1054B040	POWER MODULE SCREW,ZINC,M5-.8 X 55MM,B-1054-040	2	\$5.25	\$13.39	
C2	DWR1054A012	POWER MODULE BUTTON,ZINC,M5-.8 TAP THRU X 12MM OD,A-1054-012	2	\$3.15	\$8.03	
C3	DWR1054B041	SPRING,COMPRESSION,BRIGHT ZINC,1.50" FL X 0.30" OD X 0.038" WIRE DIA X RATE:13.5LBS/IN,MUSIC WIRE,B-1054-041,(MCMaster CARR:9434K62)	2	\$4.2	\$10.71	
D1a	ELEASMB5445	CONTROLLER,REMOTE PLUS,ASSY,70 AMP,H2 MOTOR PROGRAM	1	\$524.16	\$1336.61	
D1b	ELEASMB5446	CONTROLLER,REMOTE PLUS(PROFILED),ASSY,70 AMP,H2 MOTOR PROGRAM	1	\$524.16	\$1336.61	

Notes :***A1 — D1a**

Does not include D1b. For use on units equipped with single profile controllers.

***A1 — D1b**

Does not include D1a. For use on units equipped with multiple profile controllers.



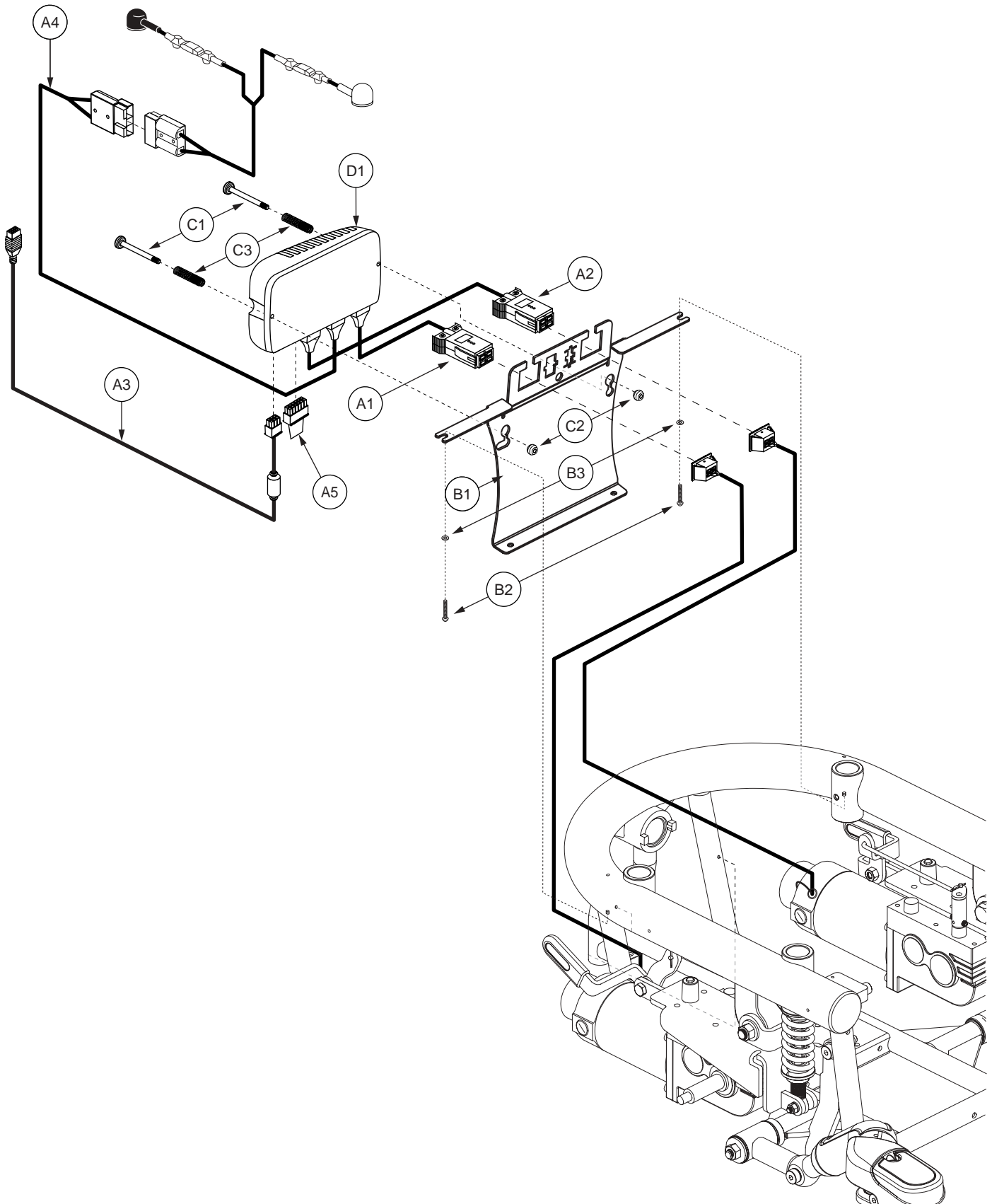
**Note: If an item has no callout, it is being shown for assembly purposes.*

REF #	PART #	DESCRIPTION	QTY	Dealer \$	MSRP	11i
*A1 — D1a	ELEASMB5449	ELECTRONIC,ASSY,REMOTE PLUS,QUANTUM600,H2 MOTORS,OFFBOARD CHARGER,QUANTUM	1	\$749.91	\$1912.27	
*A1 — D1b	ELEASMB5453	ELECTRONIC,ASSY,REMOTE PLUS(PROFILED),QUANTUM600,H2 MOTORS,OFFBOARD CHARGER,QUANTUM	1	\$749.91	\$1912.27	
A1	DWR1054C021	POWER INTERFACE MOUNTING BRACKET,REMOTE PLUS,C-1054-021	1	\$14.7	\$37.49	
A2	SCRPPH1163	SCREW,PPH,BLACK ZINC,M4-.7 X 10MM	2	\$1.05	\$2.68	
A3	DWR1054A011	SPACER,BLACK,NYLON,4MM ID X 19MM OD X 8MM TH,A-1054-011	2	\$1.05	\$2.68	
A4	DWR1010H051	ELECTRONIC,HARNESS,POWER INTERFACE/CHARGER CABLE, REMOTE PLUS, RIGHT,H-1010-051	1	\$80.85	\$206.17	
A5	SCRPPH1032	SCREW,PPH-THREAD CUTTING,BLACK ZINC,6-32 X 0.375",TYPE F	4	\$1.05	\$2.68	
A6	DWR1054H007	ELECTRONIC,HARNESS,BATTERY CABLE, REMOTE PLUS,H-1054-007	1	\$17.85	\$45.52	
A7	HARUSHD2219	ELECTRONIC,HARNESS,REMOTE PLUS,MOTOR,1113,RIGHT	1	\$27.3	\$69.62	
A8	HARUSHD2218	ELECTRONIC,HARNESS,REMOTE PLUS,MOTOR,1113,LEFT	1	\$27.3	\$69.62	
A9	DWR1116H034	ELECTRONIC,HARNESS,POWER TAKE OFF(PTO)/INHIBIT,VSI,H-1116-034	1	\$15.75	\$40.16	
A10	DWR1361H038	ELECTRONIC,HARNESS,RUN PLUG,SURE SEAL,SYNERGY TILT,H-1361-038	1	\$5.25	\$13.39	
B1 — B3	FRMASMB8064	MOUNTING BRACKET,ASSY,POWER MODULE W/HARDWARE,JAZZY600	1	\$12.6	\$32.13	
B1	DWR1056E018	POWER MODULE MOUNTING BRACKET,E-1056-018	1	\$12.6	\$32.13	
B2	SCRPPH1050	SCREW,PPH,BLACK ZINC,M4-.7 X 10MM	2	\$1.05	\$2.68	
B3	WASMETR1042	WASHER,FLAT,BLACK ZINC,4.3MM ID X 12MM OD X 1MM TH,METRIC,GB96-4	2	\$1.05	\$2.68	
C1 — C3	HDWASMB1057	QUICK RELEASE BUTTON,ASSY,REMOTE PLUS POWER MODULE,JAZZYULTRA	1	\$15.75	\$40.16	
C1	DWR1054B040	POWER MODULE SCREW,ZINC,M5-.8 X 55MM,B-1054-040	2	\$5.25	\$13.39	
C2	DWR1054A012	POWER MODULE BUTTON,ZINC,M5-.8 TAP THRU X 12MM OD,A-1054-012	2	\$3.15	\$8.03	
C3	DWR1054B041	SPRING,COMPRESSION,BRIGHT ZINC,1.50" FL X 0.30" OD X 0.038" WIRE DIA X RATE:13.5LBS/IN,MUSIC WIRE,B-1054-041,(MCMaster CARR:9434K62)	2	\$4.2	\$10.71	
D1a	ELEASMB5445	CONTROLLER,REMOTE PLUS,ASSY,70 AMP,H2 MOTOR PROGRAM	1	\$524.16	\$1336.61	
D1b	ELEASMB5446	CONTROLLER,REMOTE PLUS(PROFILED),ASSY,70 AMP,H2 MOTOR PROGRAM	1	\$524.16	\$1336.61	

Notes :

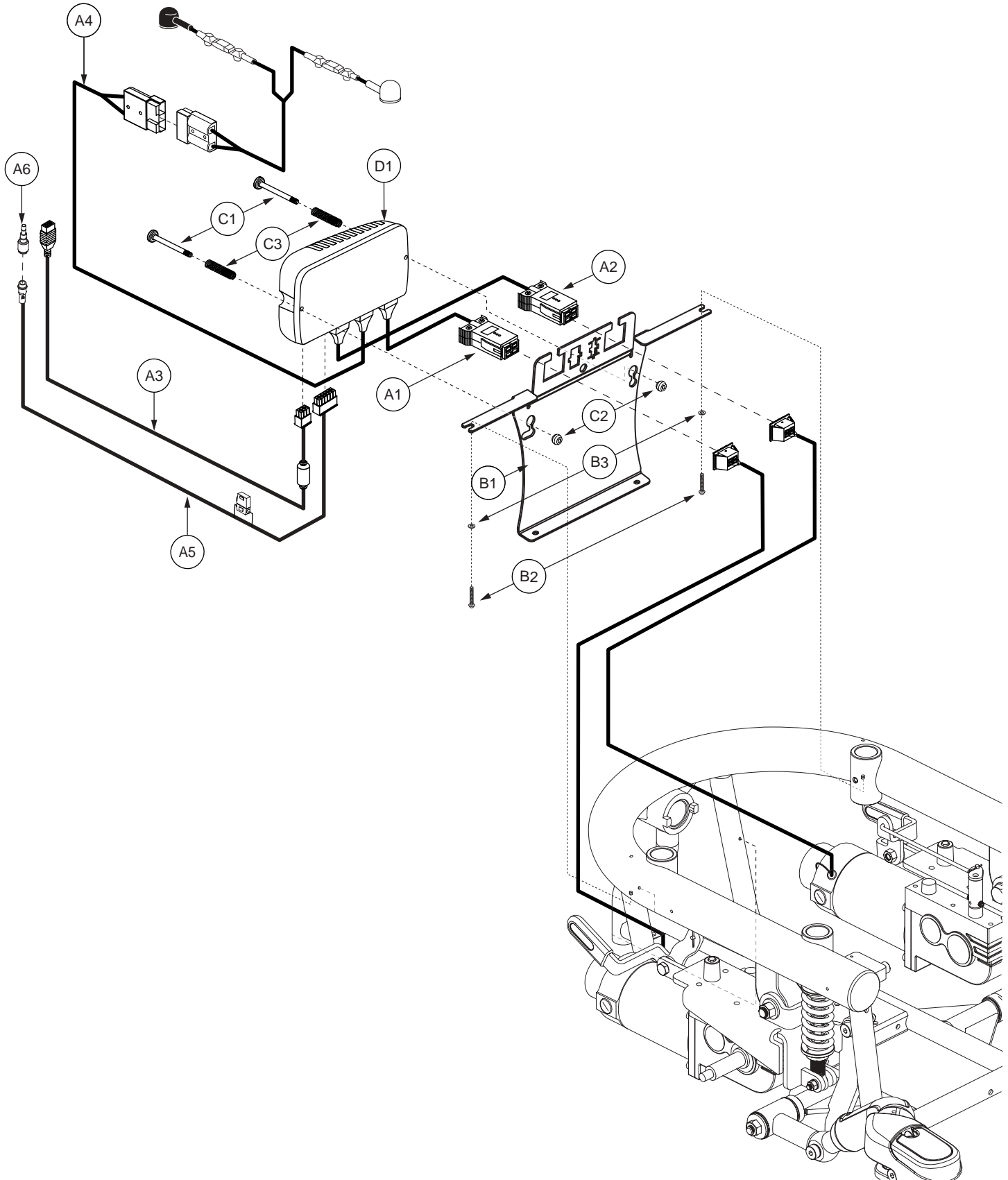
*A1 — D1a
*A1 — D1b

Does not include D1b. For units equipped with single profile controllers.
Does not include D1a. For units equipped with multiple profile controllers.



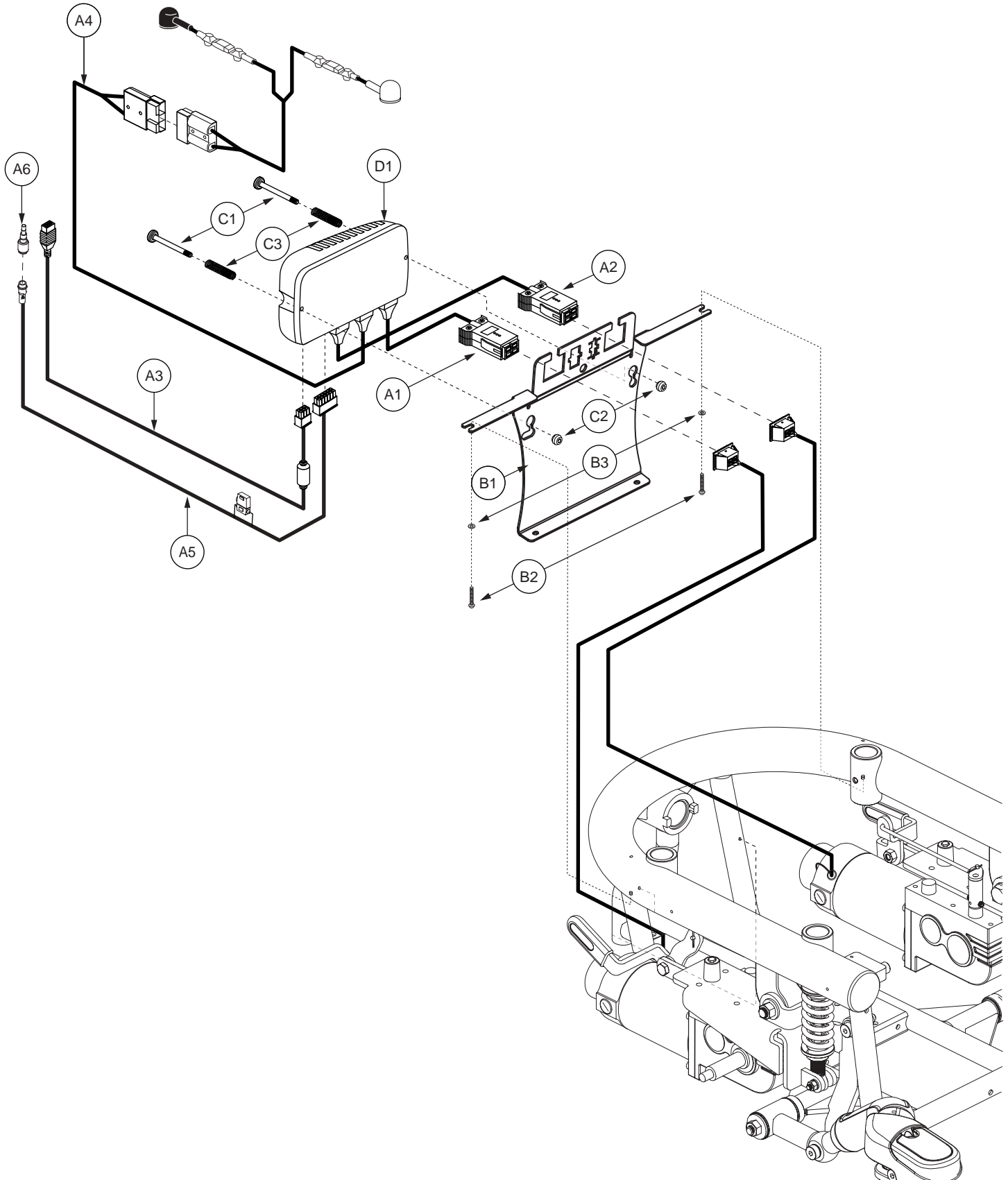
**Note: If an item has no callout, it is being shown for assembly purposes.*

REF #	PART #	DESCRIPTION	QTY	Dealer \$	MSRP	11i
A1 — D1	ELEASMB5192	ELECTRONIC,ASSY,Q-LOGIC,CURTIS,GLIDE MOTORS,QUANTUM600,OFFBOARD CHARGER	1	\$538.57	\$1373.36	
A1	DWR1056H029	ELECTRONIC,HARNESS, MOTOR CONTROLLER,Q-LOGIC,CURTIS,JAZZY600/QUANTUM600,RIGHT,H-1056-029	1	\$15.62	\$39.84	
A2	DWR1056H028	ELECTRONIC,HARNESS, MOTOR CONTROLLER,Q-LOGIC,CURTIS,JAZZY600/QUANTUM600,LEFT,H-1056-028	1	\$15.62	\$39.84	
A3	DWR1111H065	ELECTRONIC,HARNESS,BUS EXTENSION CABLE,CURTIS,0.410 METER,MALE/FEMALE,H-1111-065,(CURTIS: 37393-002)	1	\$90	\$150	
A4	DWR1056H027	ELECTRONIC,HARNESS, BATTERY,Q-LOGIC,CURTIS,JAZZY600/QUANTUM600,H-1056-027	1	\$15.85	\$40.42	
A5	DWR1265H027	ELECTRONIC,HARNESS,RUN PLUG,Q-LOGIC,H-1265-027	1	\$3	\$7.65	
B1 — B3	FRMASMB8064	MOUNTING BRACKET,ASSY,POWER MODULE W/HARDWARE,JAZZY600	1	\$12.6	\$32.13	
B1	DWR1056E018	POWER MODULE MOUNTING BRACKET,E-1056-018	1	\$12.6	\$32.13	
B2	SCRPPH1050	SCREW,PPH,BLACK ZINC,M4-.7 X 10MM	2	\$1.05	\$2.68	
B3	WASMETR1042	WASHER,FLAT,BLACK ZINC,4.3MM ID X 12MM OD X 1MM TH,METRIC,GB96-4	2	\$1.05	\$2.68	
C1 — C3	HDWASMB1059	QUICK RELEASE BUTTON,ASSY,FLIGHT POWER MODULE,B-1116-054	2	\$6.3	\$16.07	
C1	DWR1056B023	POWER MODULE BUTTON SCREW,B-1056-023	1	\$1.05	\$2.68	
C2	DWR1056B033	POWER MODULE BUTTON,B-1056-033	1	\$1.05	\$2.68	
C3	DWR1054B041	SPRING,COMPRESSION,BRIGHT ZINC,1.50" FL X 0.30" OD X 0.038" WIRE DIA X RATE:13.5LBS/IN,MUSIC WIRE,B-1054-041,(MCMaster CARR:9434K62)	1	\$4.2	\$10.71	
D1	ELEASMB5191	CONTROLLER,Q-LOGIC,CURTIS,ASSY,70 AMP,W/QUANTUM600 PROGRAM	1	\$453.6	\$1156.68	



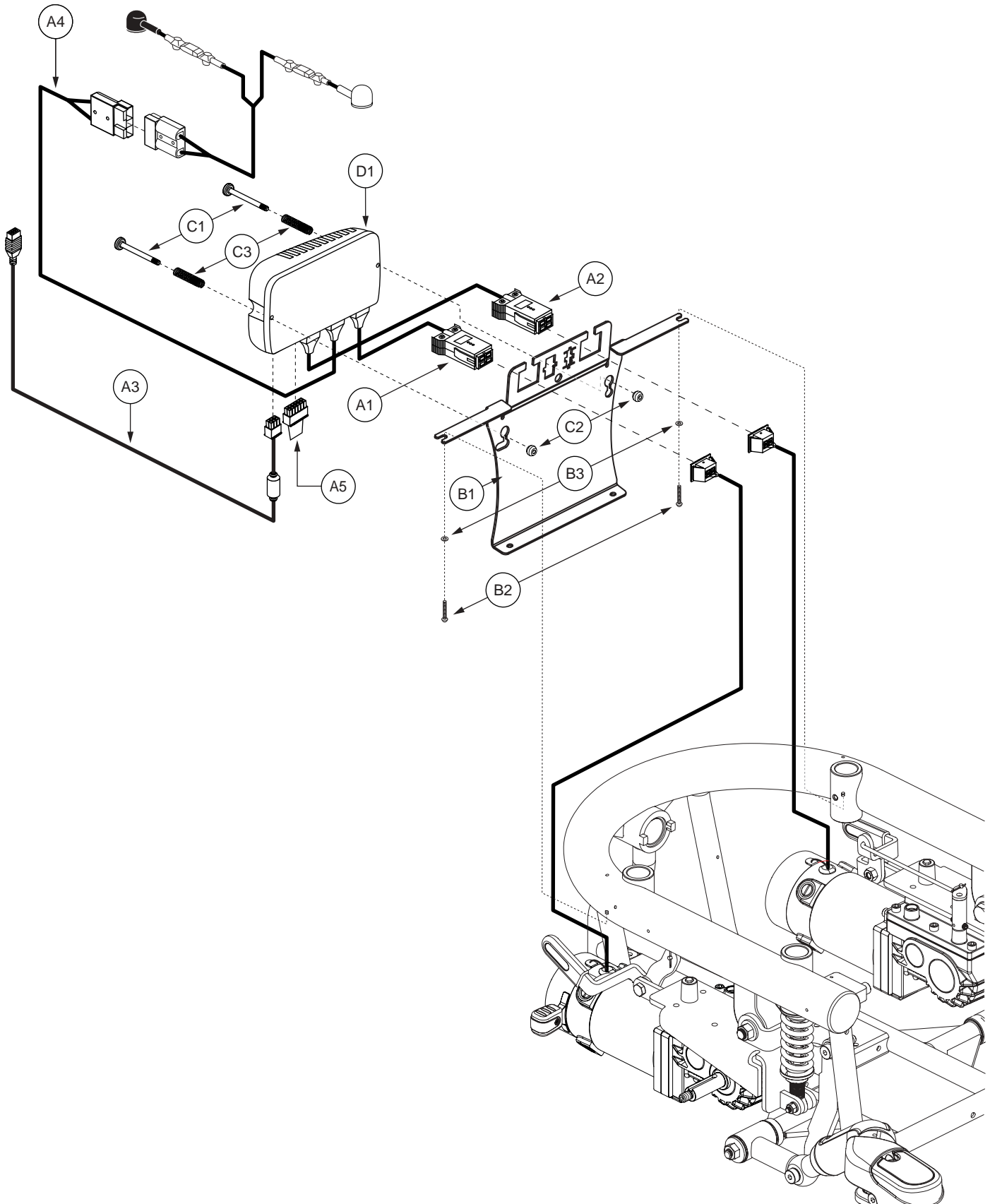
**Note: If an item has no callout, it is being shown for assembly purposes.*

REF #	PART #	DESCRIPTION	QTY	Dealer \$	MSRP	11i
A1 — D1	ELEASMB5193	ELECTRONIC,ASSY,Q-LOGIC,CURTIS,GLIDE MOTORS,QUANTUM600,OFFBOARD CHARGER,QUANTUM	1	\$543.69	\$1386.41	
A1	DWR1056H029	ELECTRONIC,HARNESS, MOTOR CONTROLLER,Q-LOGIC,CURTIS,JAZZY600/QUANTUM600,RIGHT,H-1056-029	1	\$15.62	\$39.84	
A2	DWR1056H028	ELECTRONIC,HARNESS, MOTOR CONTROLLER,Q-LOGIC,CURTIS,JAZZY600/QUANTUM600,LEFT,H-1056-028	1	\$15.62	\$39.84	
A3	DWR1111H065	ELECTRONIC,HARNESS,BUS EXTENSION CABLE,CURTIS,0.410 METER,MALE/FEMALE,H-1111-065,(CURTIS: 37393-002)	1	\$90	\$150	
A4	DWR1056H027	ELECTRONIC,HARNESS, BATTERY,Q-LOGIC,CURTIS,JAZZY600/QUANTUM600,H-1056-027	1	\$15.85	\$40.42	
A5	DWR1265H021	ELECTRONIC,HARNESS,POWER TAKE OFF(PTO)/INHIBIT,Q-LOGIC,CURTIS,H-1265-021	1	\$14.67	\$37.4	
A6	DWR1361H038	ELECTRONIC,HARNESS,RUN PLUG,SURE SEAL,SYNERGY TILT,H-1361-038	1	\$5.25	\$13.39	
B1 — B3	FRMASMB8064	MOUNTING BRACKET,ASSY,POWER MODULE W/HARDWARE,JAZZY600	1	\$12.6	\$32.13	
B1	DWR1056E018	POWER MODULE MOUNTING BRACKET,E-1056-018	1	\$12.6	\$32.13	
B2	SCRPPH1050	SCREW,PPH,BLACK ZINC,M4-.7 X 10MM	2	\$1.05	\$2.68	
B3	WASMETR1042	WASHER,FLAT,BLACK ZINC,4.3MM ID X 12MM OD X 1MM TH,METRIC,GB96-4	2	\$1.05	\$2.68	
C1 — C3	HDWASMB1059	QUICK RELEASE BUTTON,ASSY,FLIGHT POWER MODULE,B-1116-054	2	\$6.3	\$16.07	
C1	DWR1056B023	POWER MODULE BUTTON SCREW,B-1056-023	1	\$1.05	\$2.68	
C2	DWR1056B033	POWER MODULE BUTTON,B-1056-033	1	\$1.05	\$2.68	
C3	DWR1054B041	SPRING,COMPRESSION,BRIGHT ZINC,1.50" FL X 0.30" OD X 0.038" WIRE DIA X RATE:13.5LBS/IN,MUSIC WIRE,B-1054-041,(MCMaster CARR:9434K62)	1	\$4.2	\$10.71	
D1	ELEASMB5288	CONTROLLER,Q-LOGIC,CURTIS,ASSY,70 AMP,W/QUANTUM600 PROGRAM,QUANTUM	1	\$453.6	\$1156.68	



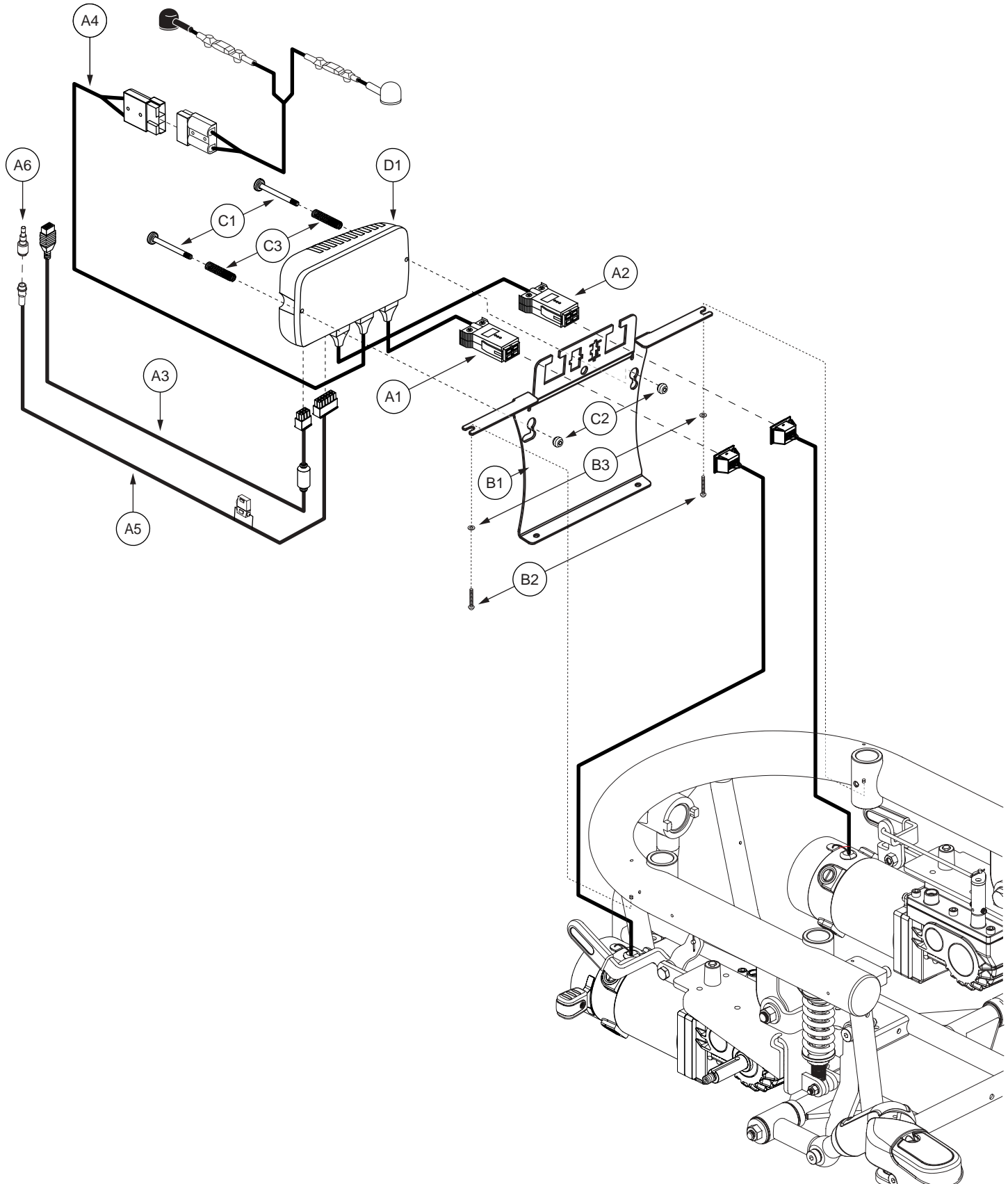
**Note: If an item has no callout, it is being shown for assembly purposes.*

REF #	PART #	DESCRIPTION	QTY	Dealer \$	MSRP	11i
A1 — D1	ELEASMB5738	ELECTRONIC,ASSY,Q-LOGIC,CURTIS,GLIDE MOTORS,QUANTUM600,OFFBOARD CHARGER,TILT THRU TOGGLE	1	\$602.63	\$1536.71	
A1	DWR1056H029	ELECTRONIC,HARNESS, MOTOR CONTROLLER,Q-LOGIC,CURTIS,JAZZY600/QUANTUM600,RIGHT,H-1056-029	1	\$15.62	\$39.84	
A2	DWR1056H028	ELECTRONIC,HARNESS, MOTOR CONTROLLER,Q-LOGIC,CURTIS,JAZZY600/QUANTUM600,LEFT,H-1056-028	1	\$15.62	\$39.84	
A3	DWR1111H065	ELECTRONIC,HARNESS,BUS EXTENSION CABLE,CURTIS,0.410 METER,MALE/FEMALE,H-1111-065,(CURTIS: 17881303)	1	\$90	\$150	
A4	DWR1056H027	ELECTRONIC,HARNESS, BATTERY,Q-LOGIC,CURTIS,JAZZY600/QUANTUM600,H-1056-027	1	\$15.85	\$40.42	
A5	DWR1265H021	ELECTRONIC,HARNESS,POWER TAKE OFF(PTO)/INHIBIT,Q-LOGIC,CURTIS,H-1265-021	1	\$14.67	\$37.4	
A6	DWR1361H038	ELECTRONIC,HARNESS,RUN PLUG,SURE SEAL,SYNERGY TILT,H-1361-038	1	\$5.25	\$13.39	
B1 — B3	FRMASMB8064	MOUNTING BRACKET,ASSY,POWER MODULE W/HARDWARE,JAZZY600	1	\$12.6	\$32.13	
B1	DWR1056E018	POWER MODULE MOUNTING BRACKET,E-1056-018	1	\$12.6	\$32.13	
B2	SCRPPH1050	SCREW,PPH,BLACK ZINC,M4-.7 X 10MM	2	\$1.05	\$2.68	
B3	WASMETR1042	WASHER,FLAT,BLACK ZINC,4.3MM ID X 12MM OD X 1MM TH,METRIC,GB96-4	2	\$1.05	\$2.68	
C1 — C3	HDWASMB1059	QUICK RELEASE BUTTON,ASSY,FLIGHT POWER MODULE,B-1116-054	2	\$6.3	\$16.07	
C1	DWR1056B023	POWER MODULE BUTTON SCREW,B-1056-023	1	\$1.05	\$2.68	
C2	DWR1056B033	POWER MODULE BUTTON,B-1056-033	1	\$1.05	\$2.68	
C3	DWR1054B041	SPRING,COMPRESSION,BRIGHT ZINC,1.50" FL X 0.30" OD X 0.038" WIRE DIA X RATE:13.5LBS/IN,MUSIC WIRE,B-1054-041,(MCMaster CARR:9434K62)	1	\$4.2	\$10.71	
D1	ELEASMB5191	CONTROLLER,Q-LOGIC,CURTIS,ASSY,70 AMP,W/QUANTUM600 PROGRAM	1	\$453.6	\$1156.68	



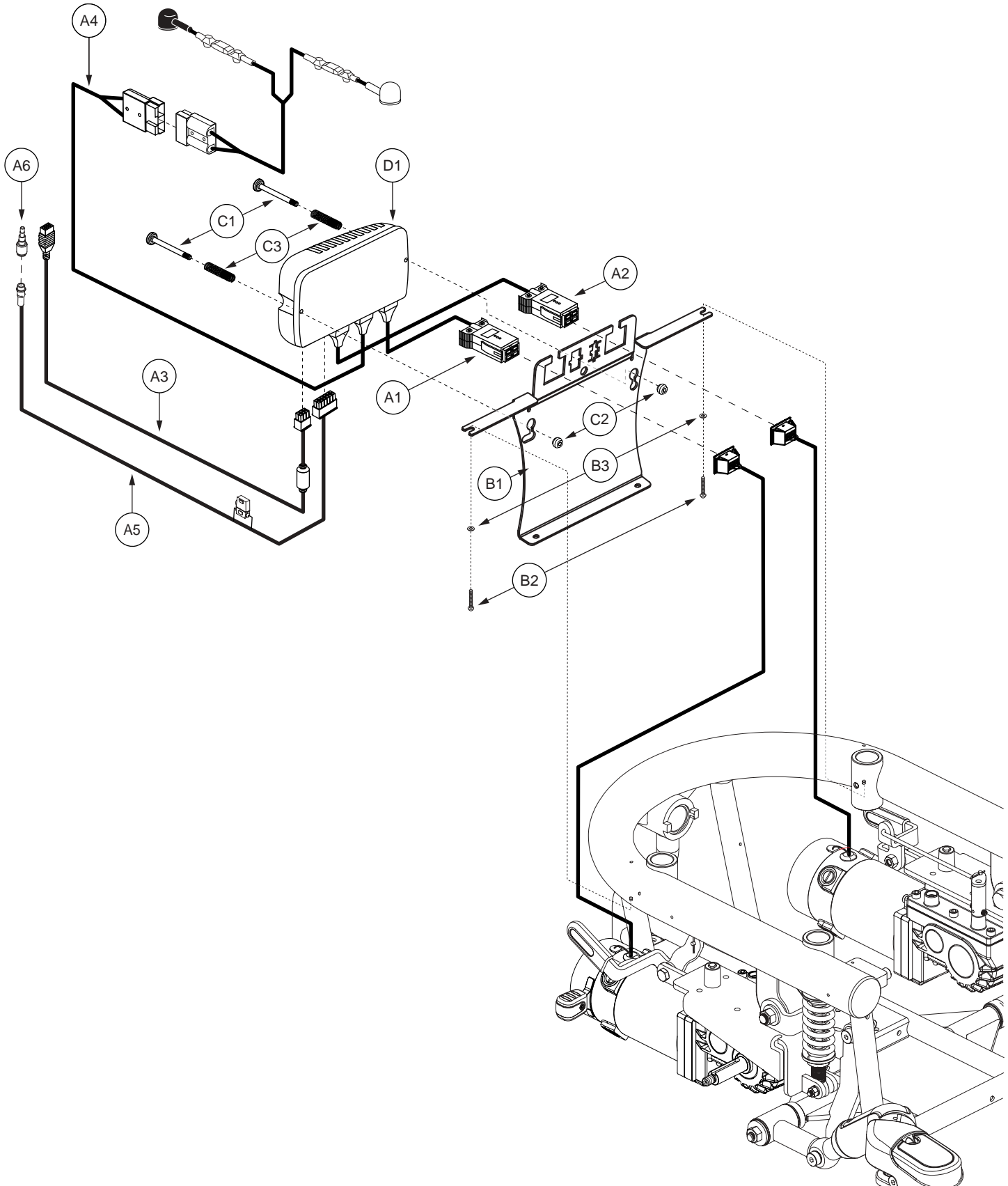
**Note: If an item has no callout, it is being shown for assembly purposes.*

REF #	PART #	DESCRIPTION	QTY	Dealer \$	MSRP	11i
A1 — D1	ELEASMB5456	ELECTRONIC,ASSY,CURTIS,QUANTUM600,H2 MOTORS,OFFBOARD CHARGER	1	\$618.89	\$1578.17	
A1	DWR1056H029	ELECTRONIC,HARNESS, MOTOR CONTROLLER,Q-LOGIC,CURTIS,JAZZY600/QUANTUM600,RIGHT,H-1056-029	1	\$15.62	\$39.84	
A2	DWR1056H028	ELECTRONIC,HARNESS, MOTOR CONTROLLER,Q-LOGIC,CURTIS,JAZZY600/QUANTUM600,LEFT,H-1056-028	1	\$15.62	\$39.84	
A3	DWR1111H065	ELECTRONIC,HARNESS,BUS EXTENSION CABLE,0.410 METER,MALE/FEMALE,H-1111-065,(CURTIS: 17881303)	1	\$90	\$150	
A4	DWR1056H027	ELECTRONIC,HARNESS, BATTERY,Q-LOGIC,CURTIS,JAZZY600/QUANTUM600,H-1056-027	1	\$15.85	\$40.42	
A5	DWR1265H027	ELECTRONIC,HARNESS,RUN PLUG,Q-LOGIC,H-1265-027	1	\$3	\$7.65	
B1 — B3	FRMASMB8064	MOUNTING BRACKET,ASSY,POWER MODULE W/HARDWARE,JAZZY600	1	\$12.6	\$32.13	
B1	DWR1056E018	POWER MODULE MOUNTING BRACKET,E-1056-018	1	\$12.6	\$32.13	
B2	SCRPPH1050	SCREW,PPH,BLACK ZINC,M4-.7 X 10MM	2	\$1.05	\$2.68	
B3	WASMETR1042	WASHER,FLAT,BLACK ZINC,4.3MM ID X 12MM OD X 1MM TH,METRIC,GB96-4	2	\$1.05	\$2.68	
C1 — C3	HDWASMB1059	QUICK RELEASE BUTTON,ASSY,FLIGHT POWER MODULE,B-1116-054	2	\$6.3	\$16.07	
C1	DWR1056B023	POWER MODULE BUTTON SCREW,B-1056-023	1	\$1.05	\$2.68	
C2	DWR1056B033	POWER MODULE BUTTON,B-1056-033	1	\$1.05	\$2.68	
C3	DWR1054B041	SPRING,COMPRESSION,BRIGHT ZINC,1.50" FL X 0.30" OD X 0.038" WIRE DIA X RATE:13.5LBS/IN,MUSIC WIRE,B-1054-041,(MCMaster CARR:9434K62)	1	\$4.2	\$10.71	
D1	ELEASMB5447	CONTROLLER,CURTIS,ASSY,100AMP,H2 MOTOR PROGRAM	1	\$453.6	\$1156.68	



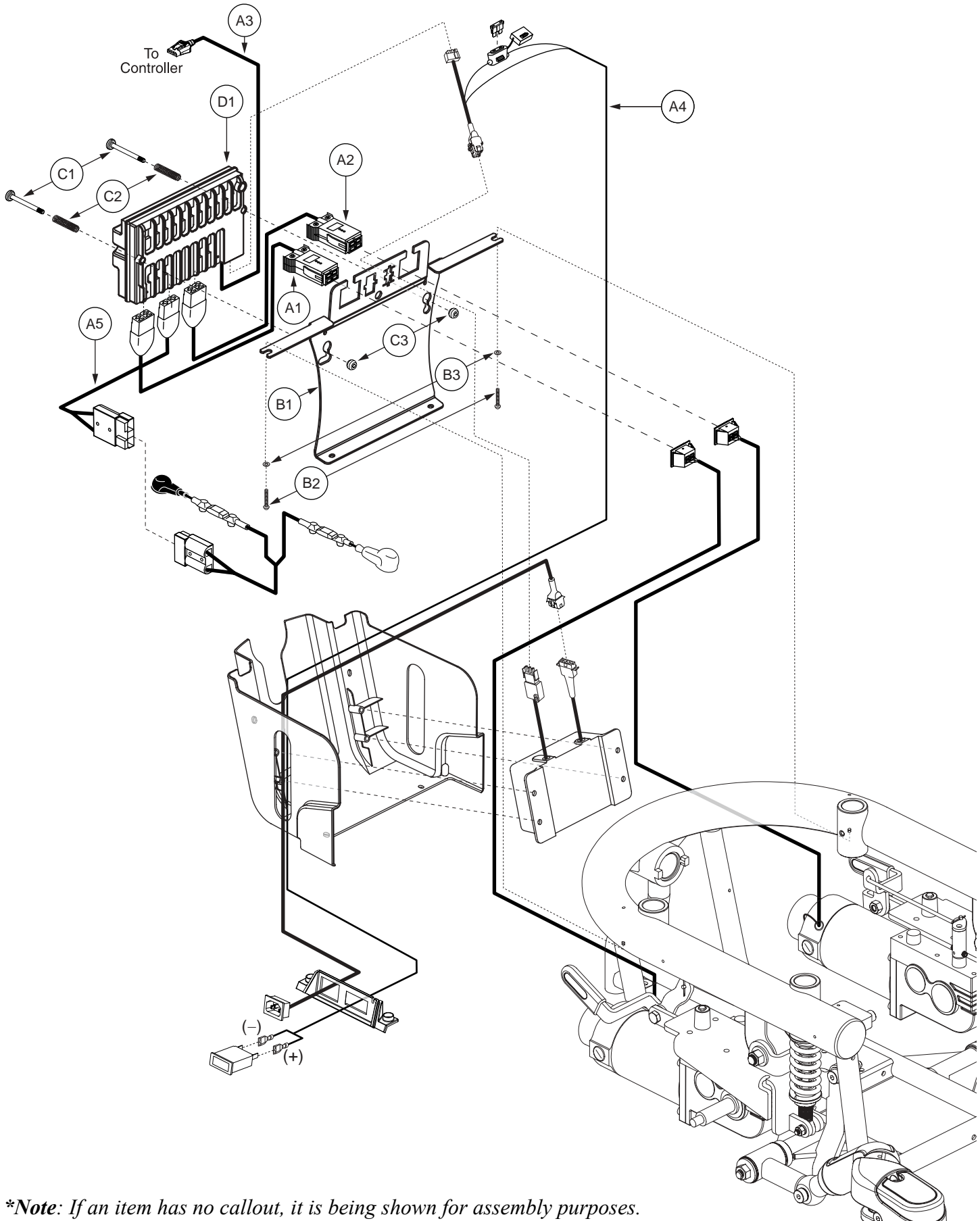
**Note: If an item has no callout, it is being shown for assembly purposes.*

REF #	PART #	DESCRIPTION	QTY	Dealer \$	MSRP	11i
A1 — D1	ELEASMB5457	ELECTRONIC,ASSY,CURTIS,QUANTUM600,H2 MOTORS,OFFBOARD CHARGER,QUANTUM	1	\$635.81	\$1621.32	
A1	DWR1056H029	ELECTRONIC,HARNESS, MOTOR CONTROLLER,Q-LOGIC,CURTIS,JAZZY600/QUANTUM600,RIGHT,H-1056-029	1	\$15.62	\$39.84	
A2	DWR1056H028	ELECTRONIC,HARNESS, MOTOR CONTROLLER,Q-LOGIC,CURTIS,JAZZY600/QUANTUM600,LEFT,H-1056-028	1	\$15.62	\$39.84	
A3	DWR1111H065	ELECTRONIC,HARNESS,BUS EXTENSION CABLE,0.410 METER,MALE/FEMALE,H-1111-065,(CURTIS: 17881303)	1	\$90	\$150	
A4	DWR1056H027	ELECTRONIC,HARNESS, BATTERY,Q-LOGIC,CURTIS,JAZZY600/QUANTUM600,H-1056-027	1	\$15.85	\$40.42	
A5	DWR1265H021	ELECTRONIC,HARNESS,POWER TAKE OFF(PTO)/INHIBIT,CURTIS,JAZZY600/QUANTUM600,H-1265-021	1	\$14.67	\$37.4	
A6	DWR1361H038	ELECTRONIC,HARNESS,RUN PLUG,SURE SEAL,SYNERGY TILT,H-1361-038	1	\$5.25	\$13.39	
B1 — B3	FRMASMB8064	MOUNTING BRACKET,ASSY,POWER MODULE W/HARDWARE,JAZZY600	1	\$12.6	\$32.13	
B1	DWR1056E018	POWER MODULE MOUNTING BRACKET,E-1056-018	1	\$12.6	\$32.13	
B2	SCRPPH1050	SCREW,PPH,BLACK ZINC,M4-.7 X 10MM	2	\$1.05	\$2.68	
B3	WASMETR1042	WASHER,FLAT,BLACK ZINC,4.3MM ID X 12MM OD X 1MM TH,METRIC,GB96-4	2	\$1.05	\$2.68	
C1 — C3	HDWASMB1059	QUICK RELEASE BUTTON,ASSY,FLIGHT POWER MODULE,B-1116-054	2	\$6.3	\$16.07	
C1	DWR1056B023	POWER MODULE BUTTON SCREW,B-1056-023	1	\$1.05	\$2.68	
C2	DWR1056B033	POWER MODULE BUTTON,B-1056-033	1	\$1.05	\$2.68	
C3	DWR1054B041	SPRING,COMPRESSION,BRIGHT ZINC,1.50" FL X 0.30" OD X 0.038" WIRE DIA X RATE:13.5LBS/IN,MUSIC WIRE,B-1054-041,(MCMaster CARR:9434K62)	1	\$4.2	\$10.71	
D1	ELEASMB5480	CONTROLLER,CURTIS,ASSY,100AMP,H2 MOTOR PROGRAM,QUANTUM	1	\$453.6	\$1156.68	



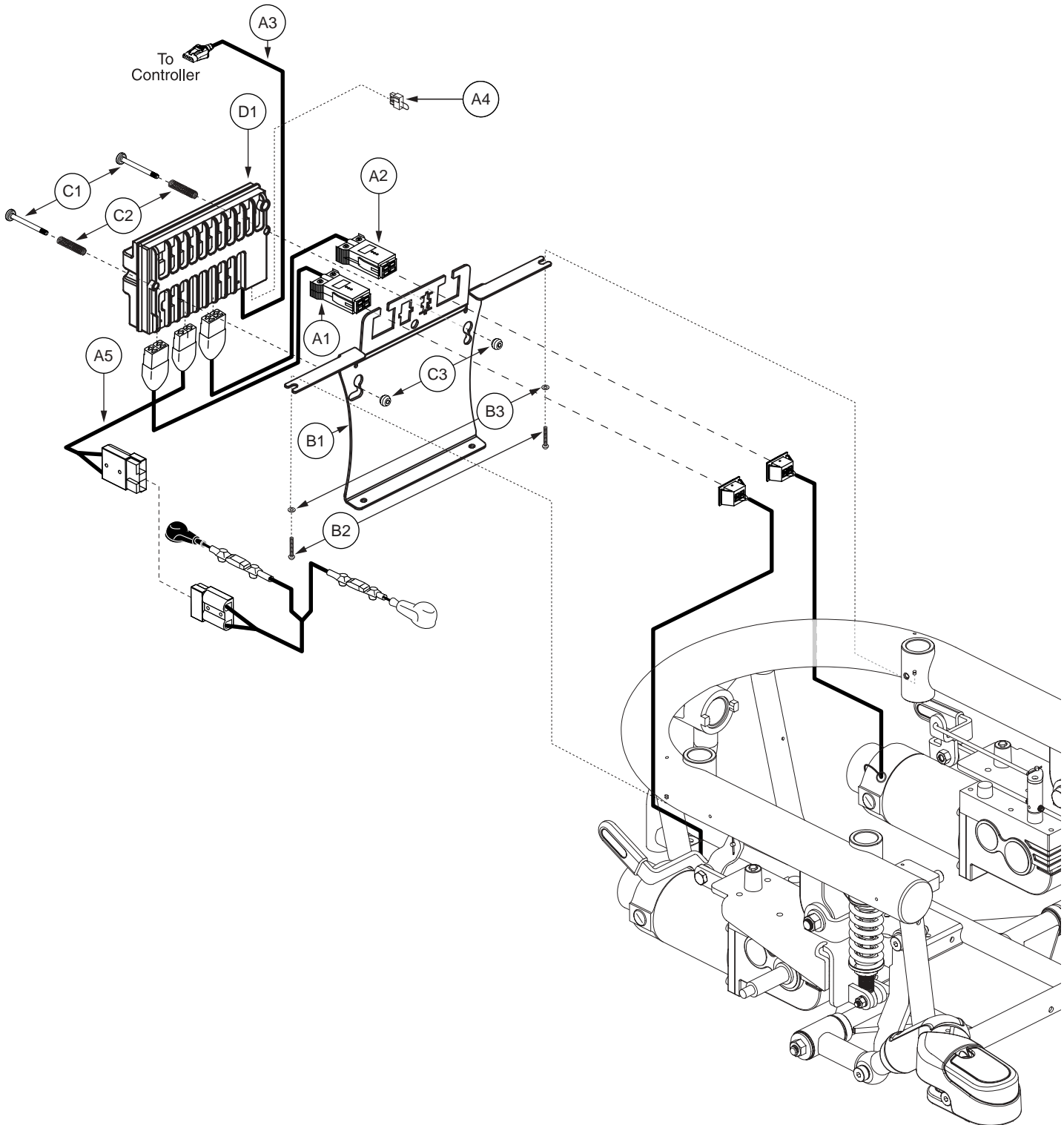
**Note: If an item has no callout, it is being shown for assembly purposes.*

REF #	PART #	DESCRIPTION	QTY	Dealer \$	MSRP	11i
A1 — D1	ELEASMB5739	ELECTRONIC,ASSY,Q-LOGIC,CURTIS,H2 MOTORS,QUANTUM600,OFFBOARD CHARGER,TILT THRU TOGGLE	1	\$602.63	\$1536.71	
A1	DWR1056H029	ELECTRONIC,HARNESS, MOTOR CONTROLLER,Q- LOGIC,CURTIS,JAZZY600/QUANTUM600,RIGHT,H-1056-029	1	\$15.62	\$39.84	
A2	DWR1056H028	ELECTRONIC,HARNESS, MOTOR CONTROLLER,Q- LOGIC,CURTIS,JAZZY600/QUANTUM600,LEFT,H-1056-028	1	\$15.62	\$39.84	
A3	DWR1111H065	ELECTRONIC,HARNESS,BUS EXTENSION CABLE,CURTIS,0.410 METER,MALE/FEMALE,H-1111-065,(CURTIS: 17881303)	1	\$90	\$150	
A4	DWR1056H027	ELECTRONIC,HARNESS, BATTERY,Q- LOGIC,CURTIS,JAZZY600/QUANTUM600,H-1056-027	1	\$15.85	\$40.42	
A5	DWR1265H021	ELECTRONIC,HARNESS,POWER TAKE OFF(PTO)/INHIBIT,Q- LOGIC,CURTIS,H-1265-021	1	\$14.67	\$37.4	
A6	DWR1361H038	ELECTRONIC,HARNESS,RUN PLUG,SURE SEAL,SYNERGY TILT,H- 1361-038	1	\$5.25	\$13.39	
B1 — B3	FRMASMB8064	MOUNTING BRACKET,ASSY,POWER MODULE W/HARDWARE,JAZZY600	1	\$12.6	\$32.13	
B1	DWR1056E018	POWER MODULE MOUNTING BRACKET,E-1056-018	1	\$12.6	\$32.13	
B2	SCRPPH1050	SCREW,PPH,BLACK ZINC,M4-.7 X 10MM	2	\$1.05	\$2.68	
B3	WASMETR1042	WASHER,FLAT,BLACK ZINC,4.3MM ID X 12MM OD X 1MM TH,METRIC,GB96-4	2	\$1.05	\$2.68	
C1 — C3	HDWASMB1059	QUICK RELEASE BUTTON,ASSY,FLIGHT POWER MODULE,B-1116- 054	2	\$6.3	\$16.07	
C1	DWR1056B023	POWER MODULE BUTTON SCREW,B-1056-023	1	\$1.05	\$2.68	
C2	DWR1056B033	POWER MODULE BUTTON,B-1056-033	1	\$1.05	\$2.68	
C3	DWR1054B041	SPRING,COMPRESSION,BRIGHT ZINC,1.50" FL X 0.30" OD X 0.038" WIRE DIA X RATE:13.5LBS/IN,MUSIC WIRE,B-1054-041,(MCMaster CARR:9434K62)	1	\$4.2	\$10.71	
D1	ELEASMB5447	CONTROLLER,Q-LOGIC,CURTIS,ASSY,100AMP,H2 MOTOR PROGRAM	1	\$453.6	\$1156.68	



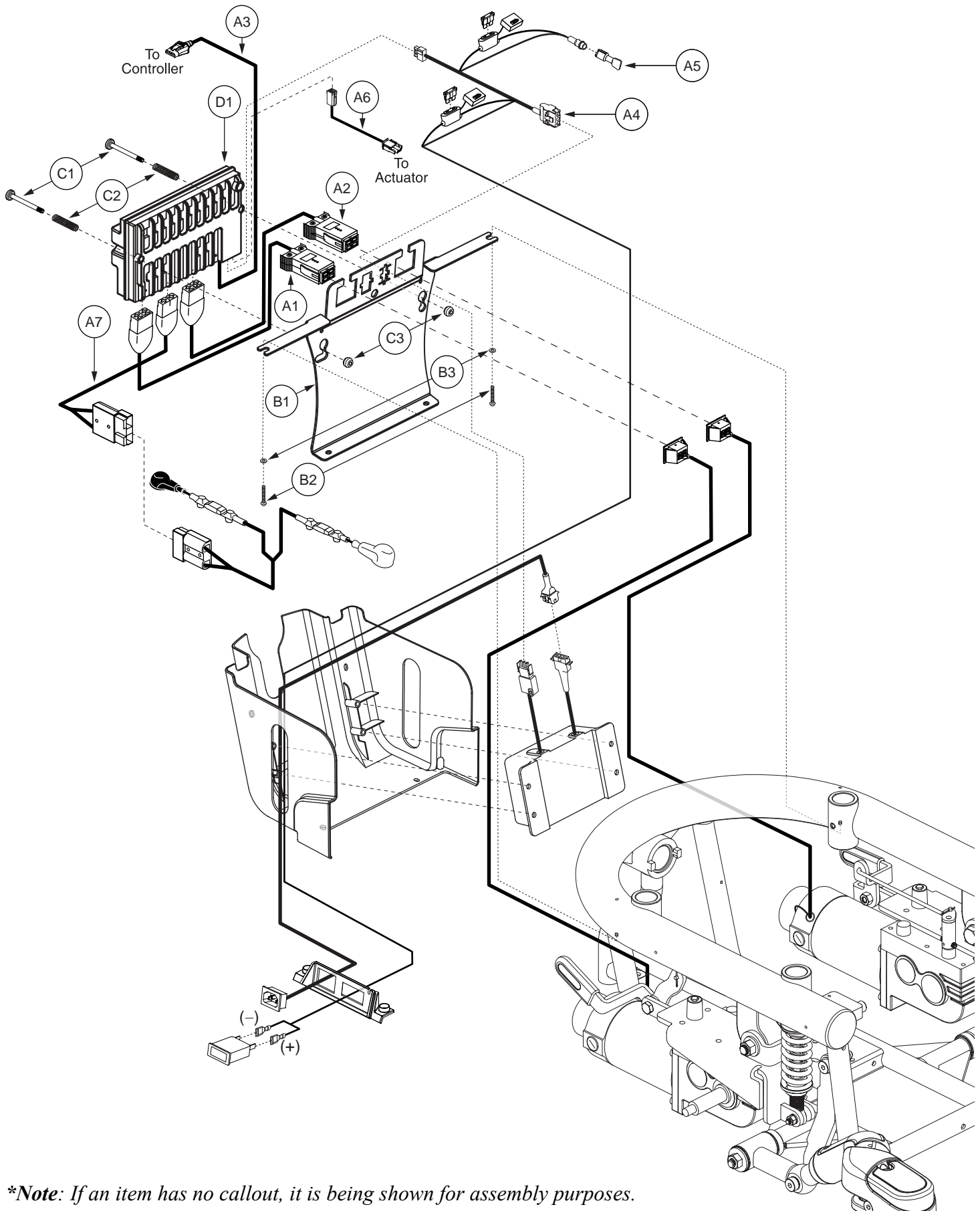
**Note: If an item has no callout, it is being shown for assembly purposes.*

REF #	PART #	DESCRIPTION	QTY	Dealer \$	MSRP	11i
A1 — D1	ELEASMB5858	ELECTRONIC,ASSY,VR2,GLIDE MOTORS,QUANTUM600,ONBOARD CHARGER	1	\$325.51	\$830.05	
A1	DWR1056H025	ELECTRONIC,HARNESS,MOTOR,RIGHT,VR2/GC,H-1056-025	1	\$16.66	\$42.48	
A2	DWR1056H024	ELECTRONIC,HARNESS,MOTOR,LEFT,VR2/GC,H-1056-024	1	\$16.66	\$42.48	
A3	DWR1010H128	ELECTRONIC,HARNESS,VR2 EXTENSION CABLE,H-1010-128,(P&G: SA77974)	1	\$7.56	\$19.28	
A4	DWR1056H022	ELECTRONIC,HARNESS,22"L W/7.5AMP INLINE ATO FUSE,CHARGER CABLE,VR2/GC,H-1056-022	1	\$17.01	\$43.38	
A5	DWR1056H023	ELECTRONIC,HARNESS, BATTERY CABLE,VR2,JET3ULTRA/600 SERIES,H-1056-023	1	\$25.07	\$63.94	
B1 — B3	FRMASMB8064	MOUNTING BRACKET,ASSY,POWER MODULE W/HARDWARE,JAZZY600	1	\$12.6	\$32.13	
B1	DWR1056E018	POWER MODULE MOUNTING BRACKET,E-1056-018	1	\$12.6	\$32.13	
B2	SCRPPH1050	SCREW,PPH,BLACK ZINC,M4-.7 X 10MM	2	\$1.05	\$2.68	
B3	WASMETR1042	WASHER,FLAT,BLACK ZINC,4.3MM ID X 12MM OD X 1MM TH,METRIC,GB96-4	2	\$1.05	\$2.68	
C1 — C3	HDWASMB1057	QUICK RELEASE BUTTON,ASSY,REMOTE PLUS POWER MODULE,JAZZYULTRA	1	\$15.75	\$40.16	
C1	DWR1054B040	POWER MODULE SCREW,ZINC,M5-.8 X 55MM,B-1054-040	2	\$5.25	\$13.39	
C2	DWR1054B041	SPRING,COMPRESSION,BRIGHT ZINC,1.50" FL X 0.30" OD X 0.038" WIRE DIA X RATE:13.5LBS/IN,MUSIC WIRE,B-1054-041,(MCMMASTER CARR:9434K62)	2	\$4.2	\$10.71	
C3	DWR1054A012	POWER MODULE BUTTON,ZINC,M5-.8 TAP THRU X 12MM OD,A-1054-012	2	\$3.15	\$8.03	
D1	ELEASMB5866	CONTROLLER,VR2,ASSY,70 AMP,W/QUANTUM600 GLIDE PROGRAM	1	\$214.2	\$546.21	



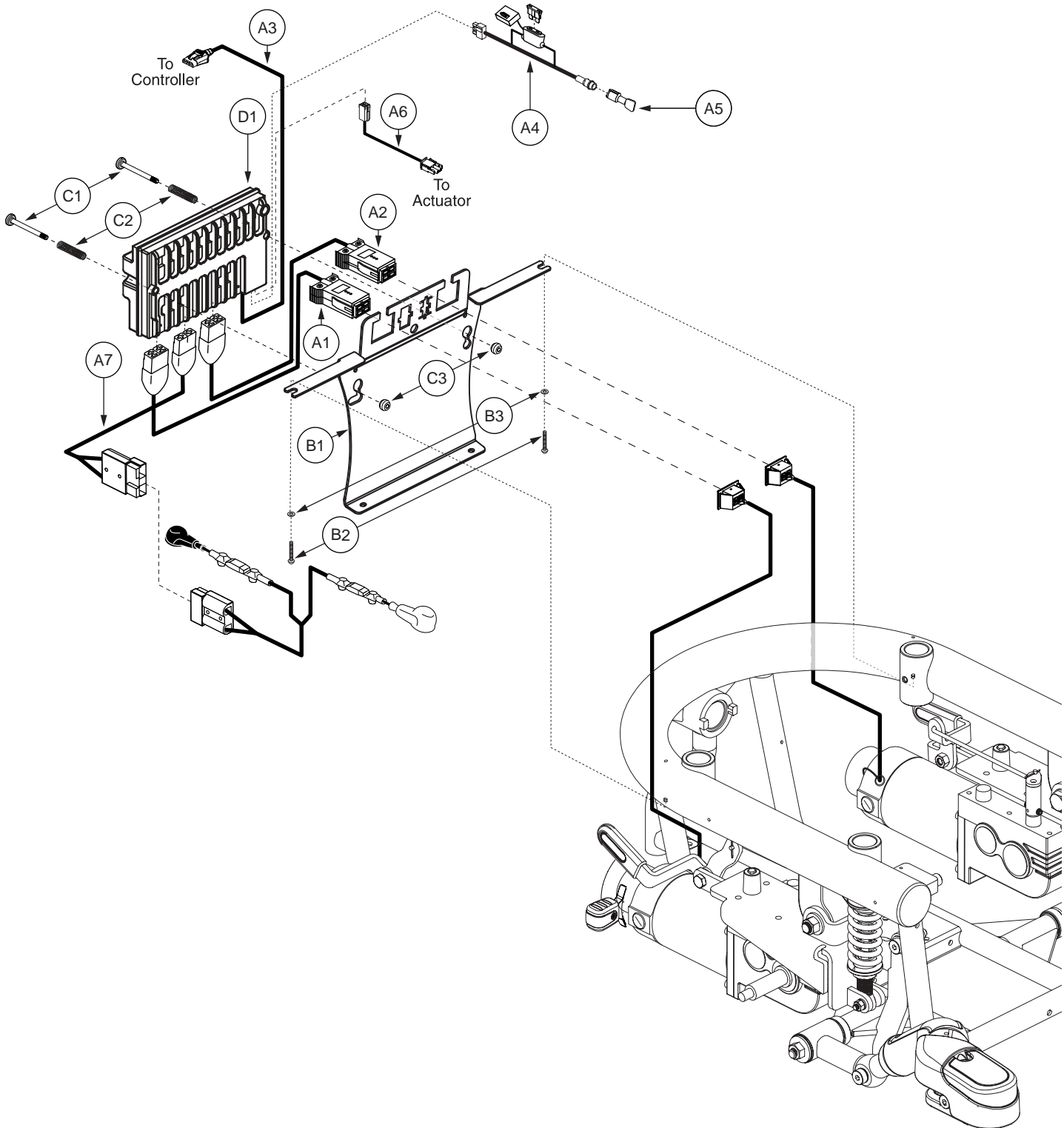
**Note: If an item has no callout, it is being shown for assembly purposes.*

REF #	PART #	DESCRIPTION	QTY	Dealer \$	MSRP	11i
A1 — D1	ELEASMB5859	ELECTRONIC,ASSY,VR2,GLIDE MOTORS,QUANTUM600,OFFBOARD CHARGER	1	N/A	N/A	
A1	DWR1056H025	ELECTRONIC,HARNESS,MOTOR,RIGHT,VR2/GC,H-1056-025	1	\$16.66	\$42.48	
A2	DWR1056H024	ELECTRONIC,HARNESS,MOTOR,LEFT,VR2/GC,H-1056-024	1	\$16.66	\$42.48	
A3	DWR1010H128	ELECTRONIC,HARNESS,VR2 EXTENSION CABLE,H-1010-128,(P&G: SA77974)	1	\$7.56	\$19.28	
A4	DWR1116H054	ELECTRONIC,HARNESS,RUN PLUG,VR2,H-1116-054	1	\$3.96	\$10.09	
A5	DWR1056H023	ELECTRONIC,HARNESS, BATTERY CABLE,VR2,JET3ULTRA/600 SERIES,H-1056-023	1	\$25.07	\$63.94	
B1 — B3	FRMASMB8064	MOUNTING BRACKET,ASSY,POWER MODULE W/HARDWARE,JAZZY600	1	\$12.6	\$32.13	
B1	DWR1056E018	POWER MODULE MOUNTING BRACKET,E-1056-018	1	\$12.6	\$32.13	
B2	SCRPPH1050	SCREW,PPH,BLACK ZINC,M4-.7 X 10MM	2	\$1.05	\$2.68	
B3	WASMETR1042	WASHER,FLAT,BLACK ZINC,4.3MM ID X 12MM OD X 1MM TH,METRIC,GB96-4	2	\$1.05	\$2.68	
C1 — C3	HDWASMB1057	QUICK RELEASE BUTTON,ASSY,REMOTE PLUS POWER MODULE,JAZZYULTRA	1	\$15.75	\$40.16	
C1	DWR1054B040	POWER MODULE SCREW,ZINC,M5-.8 X 55MM,B-1054-040	2	\$5.25	\$13.39	
C2	DWR1054B041	SPRING,COMPRESSION,BRIGHT ZINC,1.50" FL X 0.30" OD X 0.038" WIRE DIA X RATE:13.5LBS/IN,MUSIC WIRE,B-1054-041,(MCMaster CARR:9434K62)	2	\$4.2	\$10.71	
C3	DWR1054A012	POWER MODULE BUTTON,ZINC,M5-.8 TAP THRU X 12MM OD,A-1054-012	2	\$3.15	\$8.03	
D1	ELEASMB5866	CONTROLLER,VR2,ASSY,70 AMP,W/QUANTUM600 GLIDE PROGRAM	1	\$214.2	\$546.21	



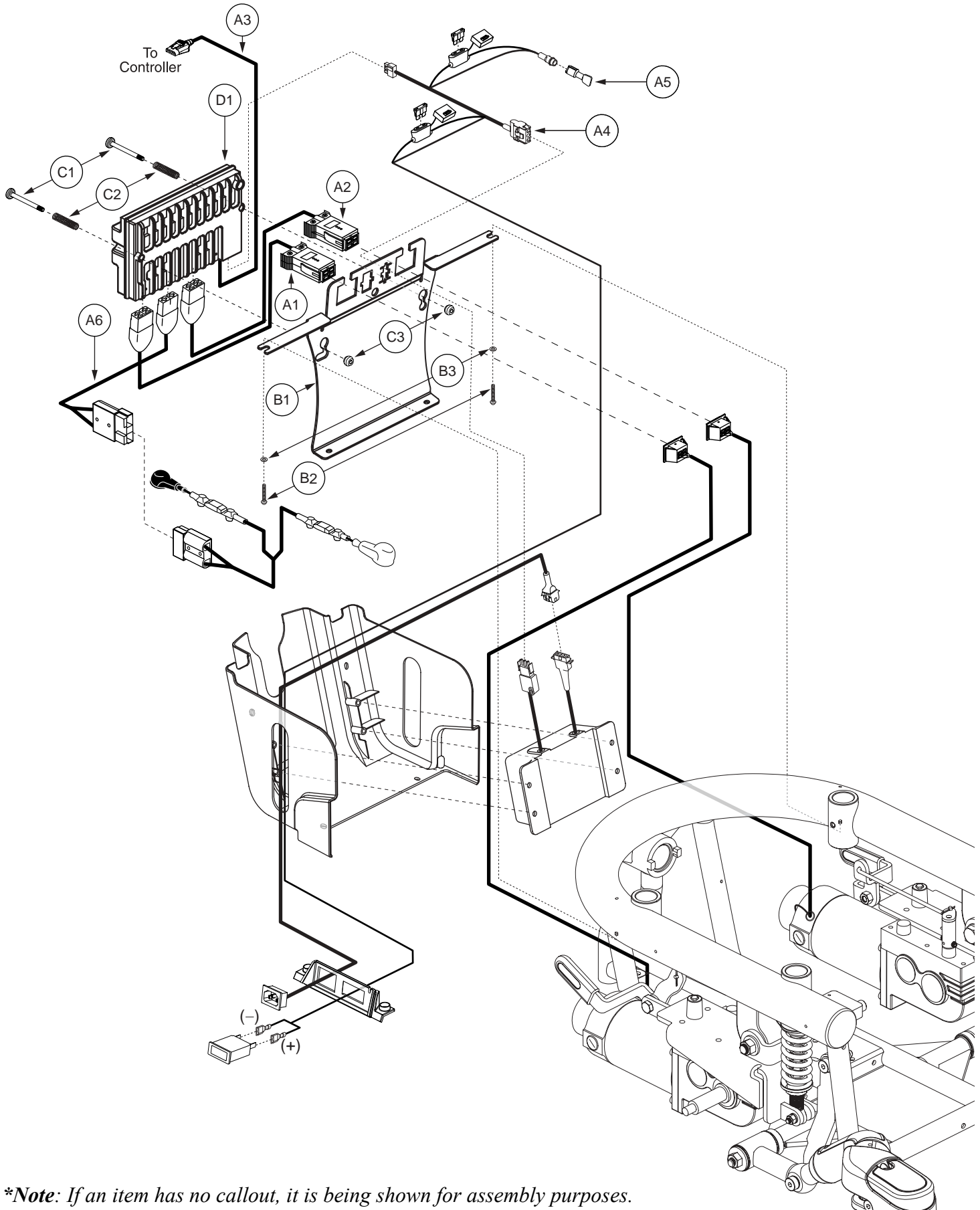
**Note: If an item has no callout, it is being shown for assembly purposes.*

REF #	PART #	DESCRIPTION	QTY	Dealer \$	MSRP	11i
A1 — D1	ELEASMB5862	ELECTRONIC,ASSY,VR2,GLIDE MOTORS,QUANTUM600,ONBOARD CHARGER,TILT THRU JOYSTICK	1	N/A	N/A	
A1	DWR1056H025	ELECTRONIC,HARNESS,MOTOR,RIGHT,VR2/GC,H-1056-025	1	\$16.66	\$42.48	
A2	DWR1056H024	ELECTRONIC,HARNESS,MOTOR,LEFT,VR2/GC,H-1056-024	1	\$16.66	\$42.48	
A3	DWR1010H128	ELECTRONIC,HARNESS,VR2 EXTENSION CABLE,H-1010-128,(P&G: SA77974)	1	\$7.56	\$19.28	
A4	DWR1265H029	ELECTRONIC,HARNESS,CHARGER/POWER TAKE OFF(PTO)/INHIBIT,VR2,H-1265-029	1	\$28.07	\$71.59	
A5	DWR1361H038	ELECTRONIC,HARNESS,RUN PLUG,SURE SEAL,SYNERGY TILT,H-1361-038	1	\$5.25	\$13.39	
A6	DWR1361H076	ELECTRONIC,HARNESS,TRU-BALANCE 2 POWER TILT/RECLINE ACTUATOR,VR2,H-1361-076	1	\$6.15	\$15.68	
A7	DWR1056H023	ELECTRONIC,HARNESS, BATTERY CABLE,VR2,JET3ULTRA/600 SERIES,H-1056-023	1	\$25.07	\$63.94	
B1 — B3	FRMASMB8064	MOUNTING BRACKET,ASSY,POWER MODULE W/HARDWARE,JAZZY600	1	\$12.6	\$32.13	
B1	DWR1056E018	POWER MODULE MOUNTING BRACKET,E-1056-018	1	\$12.6	\$32.13	
B2	SCRPPH1050	SCREW,PPH,BLACK ZINC,M4-.7 X 10MM	2	\$1.05	\$2.68	
B3	WASMETR1042	WASHER,FLAT,BLACK ZINC,4.3MM ID X 12MM OD X 1MM TH,METRIC,GB96-4	2	\$1.05	\$2.68	
C1 — C3	HDWASMB1057	QUICK RELEASE BUTTON,ASSY,REMOTE PLUS POWER MODULE,JAZZYULTRA	1	\$15.75	\$40.16	
C1	DWR1054B040	POWER MODULE SCREW,ZINC,M5-.8 X 55MM,B-1054-040	2	\$5.25	\$13.39	
C2	DWR1054B041	SPRING,COMPRESSION,BRIGHT ZINC,1.50" FL X 0.30" OD X 0.038" WIRE DIA X RATE:13.5LBS/IN,MUSIC WIRE,B-1054-041,(MCMASTER CARR:9434K62)	2	\$4.2	\$10.71	
C3	DWR1054A012	POWER MODULE BUTTON,ZINC,M5-.8 TAP THRU X 12MM OD,A-1054-012	2	\$3.15	\$8.03	
D1	ELEASMB5867	CONTROLLER,VR2,ASSY,70 AMP,1 ACTUATOR,W/QUANTUM600 GLIDE PROGRAM	1	\$224.28	\$571.91	



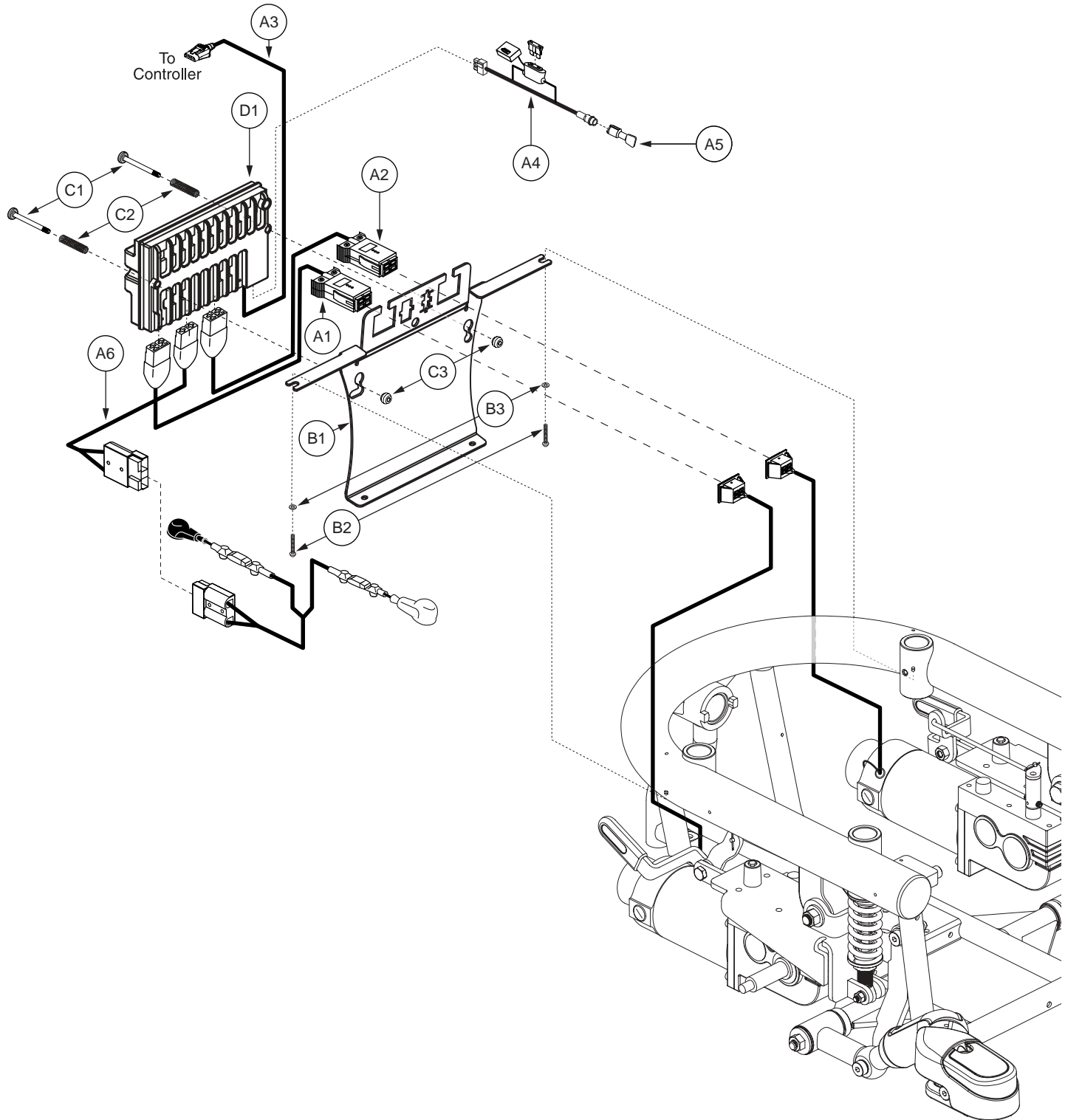
**Note: If an item has no callout, it is being shown for assembly purposes.*

REF #	PART #	DESCRIPTION	QTY	Dealer \$	MSRP	11i
A1 — D1	ELEASMB5863	ELECTRONIC,ASSY,VR2,GLIDE MOTORS,QUANTUM600,OFFBOARD CHARGER,TILT THRU JOYSTICK	1	N/A	N/A	
A1	DWR1056H025	ELECTRONIC,HARNESS,MOTOR,RIGHT,VR2/GC,H-1056-025	1	\$16.66	\$42.48	
A2	DWR1056H024	ELECTRONIC,HARNESS,MOTOR,LEFT,VR2/GC,H-1056-024	1	\$16.66	\$42.48	
A3	DWR1010H128	ELECTRONIC,HARNESS,VR2 EXTENSION CABLE,H-1010-128,(P&G: SA77974)	1	\$7.56	\$19.28	
A4	DWR1265H030	ELECTRONIC,HARNESS,POWER TAKE OFF(PTO)/INHIBIT,VR2,H-1265-030	1	\$16.05	\$40.93	
A5	DWR1361H038	ELECTRONIC,HARNESS,RUN PLUG,SURE SEAL,SYNERGY TILT,H-1361-038	1	\$5.25	\$13.39	
A6	DWR1361H076	ELECTRONIC,HARNESS,TRU-BALANCE 2 POWER TILT/RECLINE ACTUATOR,VR2,H-1361-076	1	\$6.15	\$15.68	
A7	DWR1056H023	ELECTRONIC,HARNESS, BATTERY CABLE,VR2,JET3ULTRA/600 SERIES,H-1056-023	1	\$25.07	\$63.94	
B1 — B3	FRMASMB8064	MOUNTING BRACKET,ASSY,POWER MODULE W/HARDWARE,JAZZY600	1	\$12.6	\$32.13	
B1	DWR1056E018	POWER MODULE MOUNTING BRACKET,E-1056-018	1	\$12.6	\$32.13	
B2	SCRPPH1050	SCREW,PPH,BLACK ZINC,M4-.7 X 10MM	2	\$1.05	\$2.68	
B3	WASMETR1042	WASHER,FLAT,BLACK ZINC,4.3MM ID X 12MM OD X 1MM TH,METRIC,GB96-4	2	\$1.05	\$2.68	
C1 — C3	HDWASMB1057	QUICK RELEASE BUTTON,ASSY,REMOTE PLUS POWER MODULE,JAZZYULTRA	1	\$15.75	\$40.16	
C1	DWR1054B040	POWER MODULE SCREW,ZINC,M5-.8 X 55MM,B-1054-040	2	\$5.25	\$13.39	
C2	DWR1054B041	SPRING,COMPRESSION,BRIGHT ZINC,1.50" FL X 0.30" OD X 0.038" WIRE DIA X RATE:13.5LBS/IN,MUSIC WIRE,B-1054-041,(MCMMASTER CARR:9434K62)	2	\$4.2	\$10.71	
C3	DWR1054A012	POWER MODULE BUTTON,ZINC,M5-.8 TAP THRU X 12MM OD,A-1054-012	2	\$3.15	\$8.03	
D1	ELEASMB5867	CONTROLLER,VR2,ASSY,70 AMP,1 ACTUATOR,W/QUANTUM600 GLIDE PROGRAM	1	\$224.28	\$571.91	



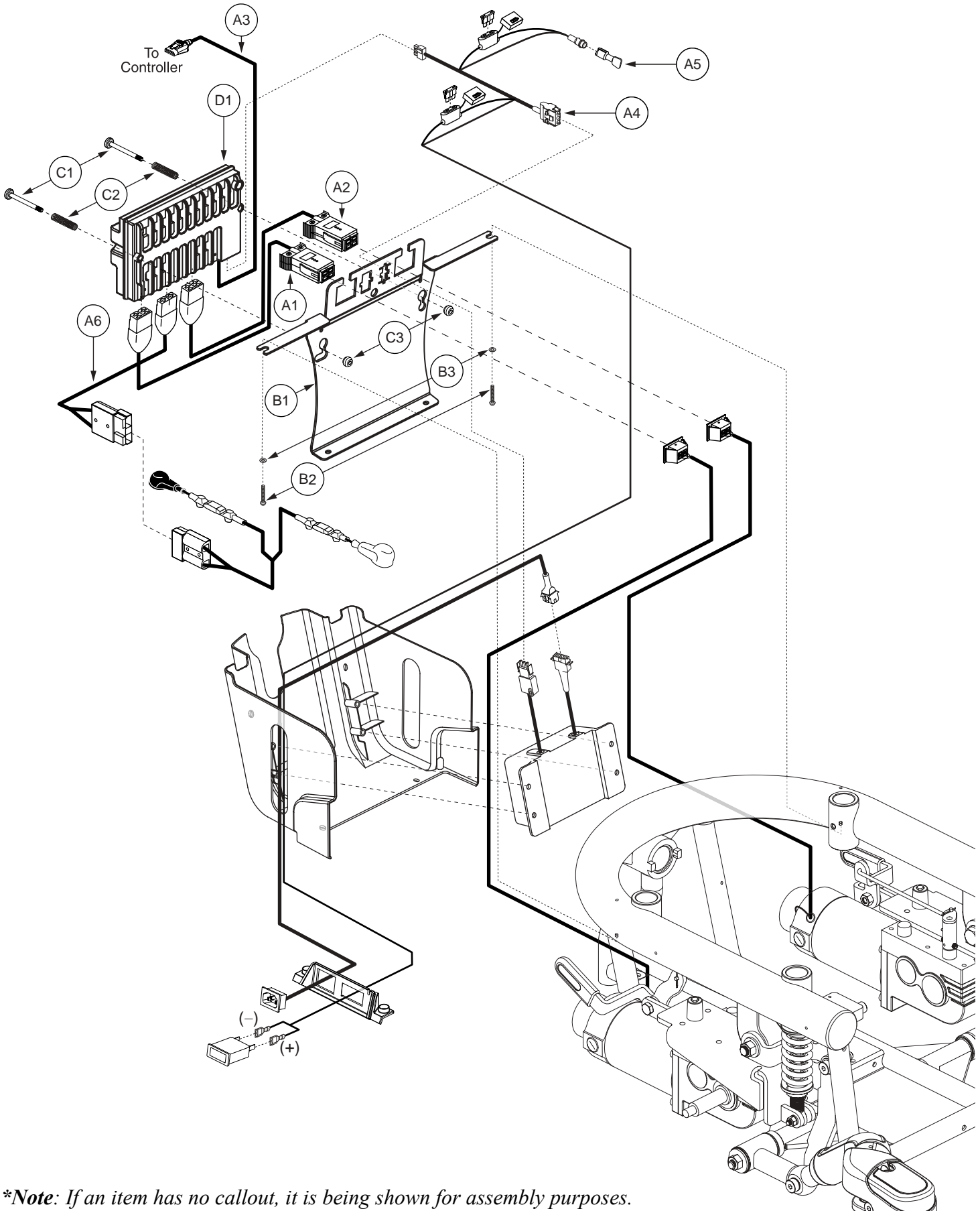
**Note: If an item has no callout, it is being shown for assembly purposes.*

REF #	PART #	DESCRIPTION	QTY	Dealer \$	MSRP	11i
A1 — D1	ELEASMB5860	ELECTRONIC,ASSY,VR2,GLIDE MOTORS,QUANTUM600,ONBOARD CHARGER,TILT THRU TOGGLE	1	\$341.82	\$871.64	
A1	DWR1056H025	ELECTRONIC,HARNESS,MOTOR,RIGHT,VR2/GC,H-1056-025	1	\$16.66	\$42.48	
A2	DWR1056H024	ELECTRONIC,HARNESS,MOTOR,LEFT,VR2/GC,H-1056-024	1	\$16.66	\$42.48	
A3	DWR1010H128	ELECTRONIC,HARNESS,VR2 EXTENSION CABLE,H-1010-128,(P&G: SA77974)	1	\$7.56	\$19.28	
A4	DWR1265H029	ELECTRONIC,HARNESS,CHARGER/POWER TAKE OFF(PTO)/INHIBIT,VR2,H-1265-029	1	\$28.07	\$71.59	
A5	DWR1361H038	ELECTRONIC,HARNESS,RUN PLUG,SURE SEAL,SYNERGY TILT,H-1361-038	1	\$5.25	\$13.39	
A6	DWR1056H023	ELECTRONIC,HARNESS, BATTERY CABLE,VR2,JET3ULTRA/600 SERIES,H-1056-023	1	\$25.07	\$63.94	
B1 — B3	FRMASMB8064	MOUNTING BRACKET,ASSY,POWER MODULE W/HARDWARE,JAZZY600	1	\$12.6	\$32.13	
B1	DWR1056E018	POWER MODULE MOUNTING BRACKET,E-1056-018	1	\$12.6	\$32.13	
B2	SCRPPH1050	SCREW,PPH,BLACK ZINC,M4-.7 X 10MM	2	\$1.05	\$2.68	
B3	WASMETR1042	WASHER,FLAT,BLACK ZINC,4.3MM ID X 12MM OD X 1MM TH,METRIC,GB96-4	2	\$1.05	\$2.68	
C1 — C3	HDWASMB1057	QUICK RELEASE BUTTON,ASSY,REMOTE PLUS POWER MODULE,JAZZYULTRA	1	\$15.75	\$40.16	
C1	DWR1054B040	POWER MODULE SCREW,ZINC,M5-.8 X 55MM,B-1054-040	2	\$5.25	\$13.39	
C2	DWR1054B041	SPRING,COMPRESSION,BRIGHT ZINC,1.50" FL X 0.30" OD X 0.038" WIRE DIA X RATE:13.5LBS/IN,MUSIC WIRE,B-1054-041,(MCMaster CARR:9434K62)	2	\$4.2	\$10.71	
C3	DWR1054A012	POWER MODULE BUTTON,ZINC,M5-.8 TAP THRU X 12MM OD,A-1054-012	2	\$3.15	\$8.03	
D1	ELEASMB5866	CONTROLLER,VR2,ASSY,70 AMP,W/QUANTUM600 GLIDE PROGRAM	1	\$214.2	\$546.21	



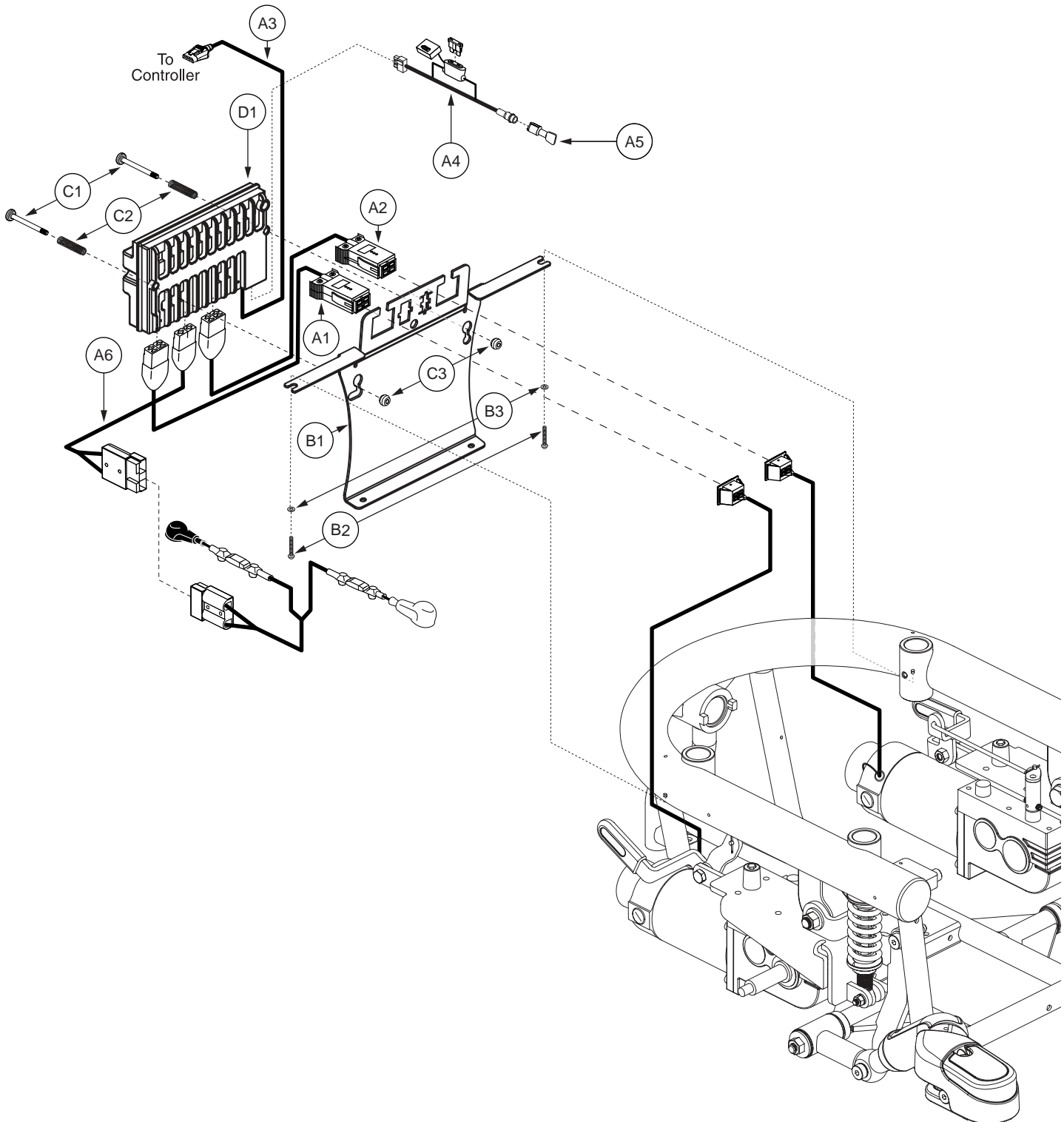
**Note: If an item has no callout, it is being shown for assembly purposes.*

REF #	PART #	DESCRIPTION	QTY	Dealer \$	MSRP	11i
A1 — D1	ELEASMB5861	ELECTRONIC,ASSY,VR2,GLIDE MOTORS,QUANTUM600,OFFBOARD CHARGER,TILT THRU TOGGLE	1	N/A	N/A	
A1	DWR1056H025	ELECTRONIC,HARNESS,MOTOR,RIGHT,VR2/GC,H-1056-025	1	\$16.66	\$42.48	
A2	DWR1056H024	ELECTRONIC,HARNESS,MOTOR,LEFT,VR2/GC,H-1056-024	1	\$16.66	\$42.48	
A3	DWR1010H128	ELECTRONIC,HARNESS,VR2 EXTENSION CABLE,H-1010-128,(P&G: SA77974)	1	\$7.56	\$19.28	
A4	DWR1265H030	ELECTRONIC,HARNESS,POWER TAKE OFF(PTO)/INHIBIT,VR2,H-1265-030	1	\$16.05	\$40.93	
A5	DWR1361H038	ELECTRONIC,HARNESS,RUN PLUG,SURE SEAL,SYNERGY TILT,H-1361-038	1	\$5.25	\$13.39	
A6	DWR1056H023	ELECTRONIC,HARNESS, BATTERY CABLE,VR2,JET3ULTRA/600 SERIES,H-1056-023	1	\$25.07	\$63.94	
B1 — B3	FRMASMB8064	MOUNTING BRACKET,ASSY,POWER MODULE W/HARDWARE,JAZZY600	1	\$12.6	\$32.13	
B1	DWR1056E018	POWER MODULE MOUNTING BRACKET,E-1056-018	1	\$12.6	\$32.13	
B2	SCRPPH1050	SCREW,PPH,BLACK ZINC,M4-.7 X 10MM	2	\$1.05	\$2.68	
B3	WASMETR1042	WASHER,FLAT,BLACK ZINC,4.3MM ID X 12MM OD X 1MM TH,METRIC,GB96-4	2	\$1.05	\$2.68	
C1— C3	HDWASMB1057	QUICK RELEASE BUTTON,ASSY,REMOTE PLUS POWER MODULE,JAZZYULTRA	1	\$15.75	\$40.16	
C1	DWR1054B040	POWER MODULE SCREW,ZINC,M5-.8 X 55MM,B-1054-040	2	\$5.25	\$13.39	
C2	DWR1054B041	SPRING,COMPRESSION,BRIGHT ZINC,1.50" FL X 0.30" OD X 0.038" WIRE DIA X RATE:13.5LBS/IN,MUSIC WIRE,B-1054-041,(MCMaster CARR:9434K62)	2	\$4.2	\$10.71	
C3	DWR1054A012	POWER MODULE BUTTON,ZINC,M5-.8 TAP THRU X 12MM OD,A-1054-012	2	\$3.15	\$8.03	
D1	ELEASMB5866	CONTROLLER,VR2,ASSY,70 AMP,W/QUANTUM600 GLIDE PROGRAM	1	\$214.2	\$546.21	



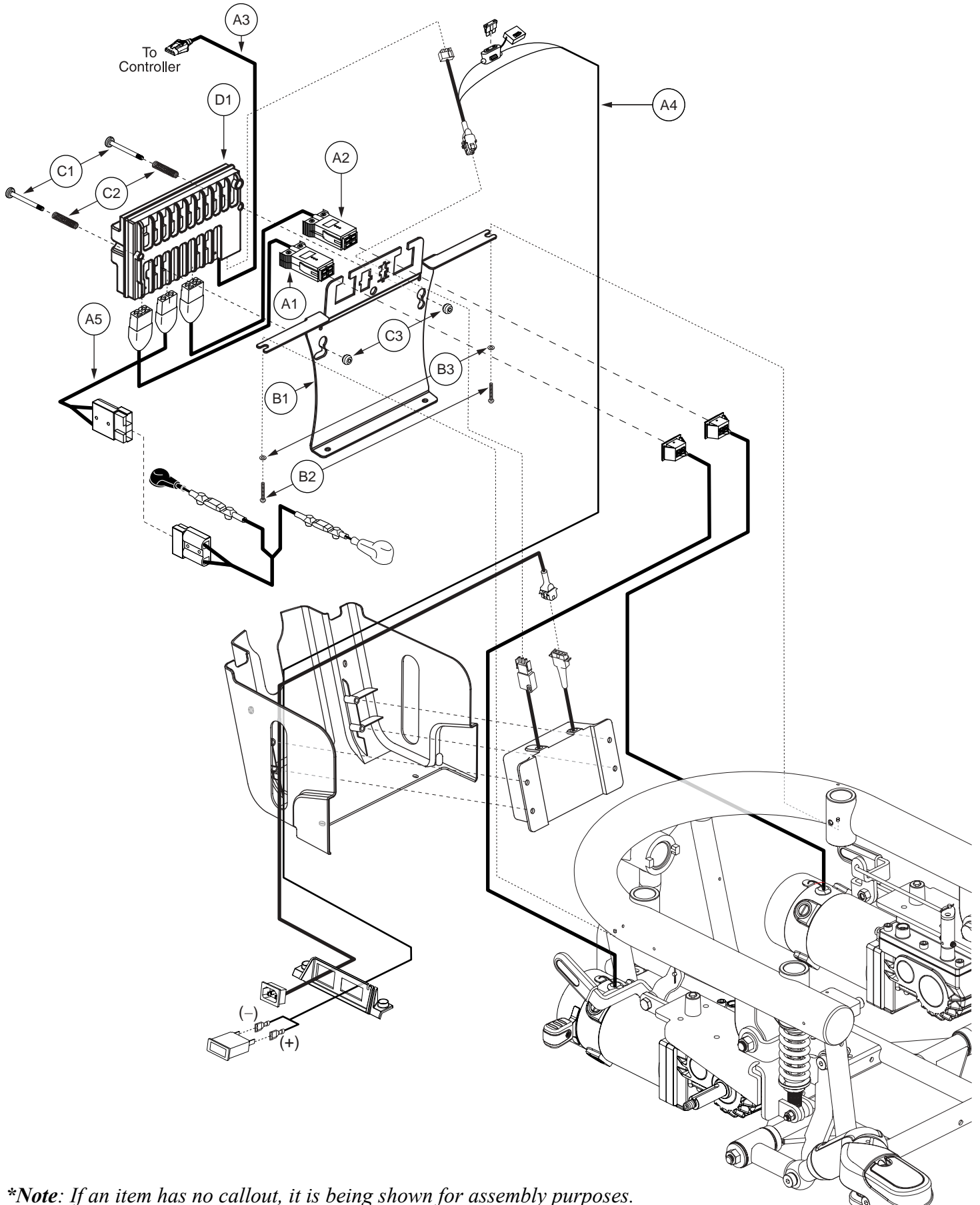
**Note: If an item has no callout, it is being shown for assembly purposes.*

REF #	PART #	DESCRIPTION	QTY	Dealer \$	MSRP	11i
A1 — D1	ELEASMB5864	ELECTRONIC,ASSY,VR2,GLIDE MOTORS,QUANTUM600,ONBOARD CHARGER,FUTURE ACTUATOR EXPANSION	1	\$351.9	\$897.35	
A1	DWR1056H025	ELECTRONIC,HARNESS,MOTOR,RIGHT,VR2/GC,H-1056-025	1	\$16.66	\$42.48	
A2	DWR1056H024	ELECTRONIC,HARNESS,MOTOR,LEFT,VR2/GC,H-1056-024	1	\$16.66	\$42.48	
A3	DWR1010H128	ELECTRONIC,HARNESS,VR2 EXTENSION CABLE,H-1010-128,(P&G: SA77974)	1	\$7.56	\$19.28	
A4	DWR1265H029	ELECTRONIC,HARNESS,CHARGER/POWER TAKE OFF(PTO)/INHIBIT,VR2,H-1265-029	1	\$28.07	\$71.59	
A5	DWR1361H038	ELECTRONIC,HARNESS,RUN PLUG,SURE SEAL,SYNERGY TILT,H-1361-038	1	\$5.25	\$13.39	
A6	DWR1056H023	ELECTRONIC,HARNESS, BATTERY CABLE,VR2,JET3ULTRA/600 SERIES,H-1056-023	1	\$25.07	\$63.94	
B1 — B3	FRMASMB8064	MOUNTING BRACKET,ASSY,POWER MODULE W/HARDWARE,JAZZY600	1	\$12.6	\$32.13	
B1	DWR1056E018	POWER MODULE MOUNTING BRACKET,E-1056-018	1	\$12.6	\$32.13	
B2	SCRPPH1050	SCREW,PPH,BLACK ZINC,M4-.7 X 10MM	2	\$1.05	\$2.68	
B3	WASMETR1042	WASHER,FLAT,BLACK ZINC,4.3MM ID X 12MM OD X 1MM TH,METRIC,GB96-4	2	\$1.05	\$2.68	
C1 — C3	HDWASMB1057	QUICK RELEASE BUTTON,ASSY,REMOTE PLUS POWER MODULE,JAZZYULTRA	1	\$15.75	\$40.16	
C1	DWR1054B040	POWER MODULE SCREW,ZINC,M5-.8 X 55MM,B-1054-040	2	\$5.25	\$13.39	
C2	DWR1054B041	SPRING,COMPRESSION,BRIGHT ZINC,1.50" FL X 0.30" OD X 0.038" WIRE DIA X RATE:13.5LBS/IN,MUSIC WIRE,B-1054-041,(MCMaster CARR:9434K62)	2	\$4.2	\$10.71	
C3	DWR1054A012	POWER MODULE BUTTON,ZINC,M5-.8 TAP THRU X 12MM OD,A-1054-012	2	\$3.15	\$8.03	
D1	ELEASMB5867	CONTROLLER,VR2,ASSY,70 AMP,1 ACTUATOR,W/QUANTUM600 GLIDE PROGRAM	1	\$224.28	\$571.91	



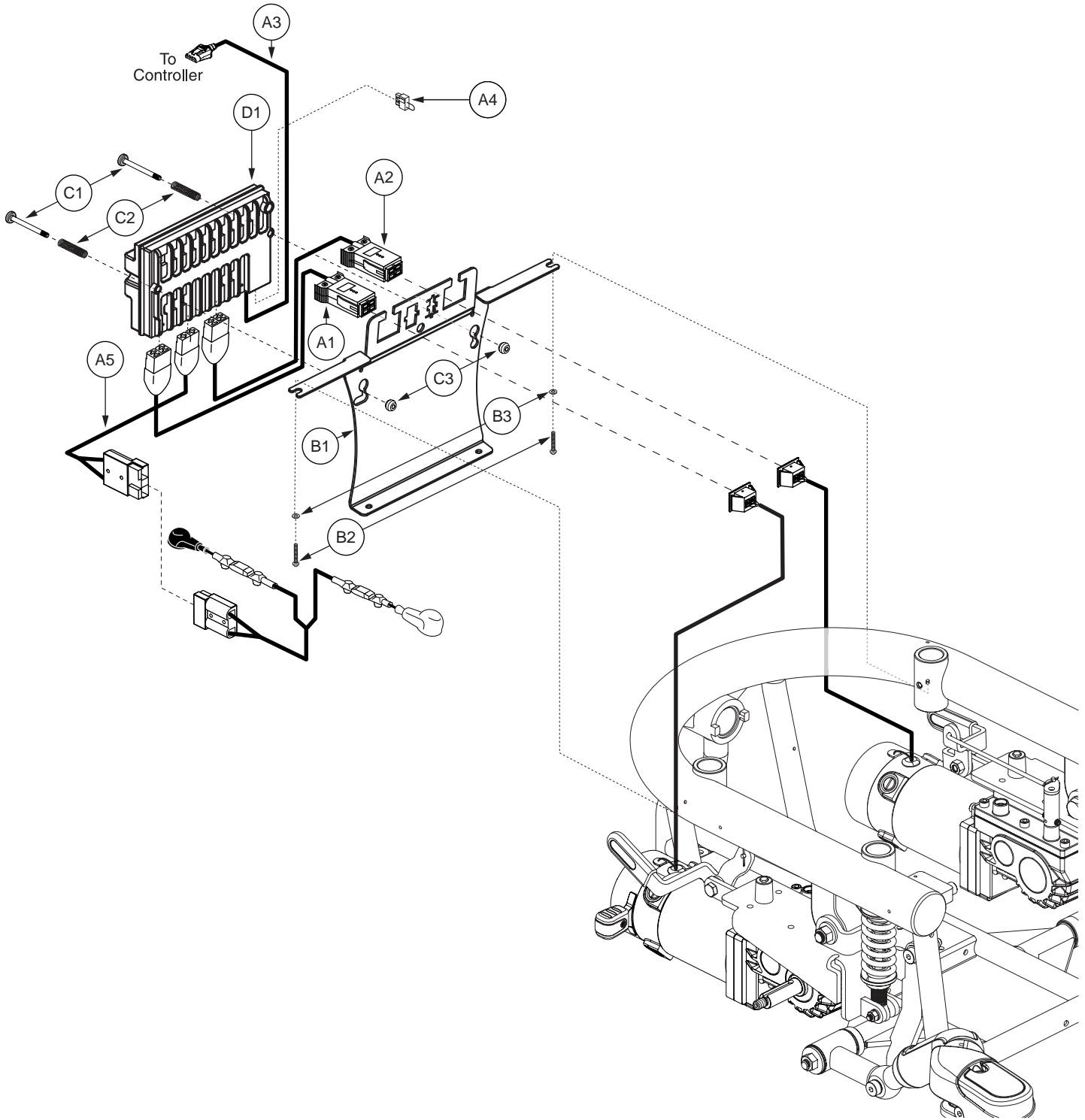
**Note: If an item has no callout, it is being shown for assembly purposes.*

REF #	PART #	DESCRIPTION	QTY	Dealer \$	MSRP	11i
A1 — D1	ELEASMB5865	ELECTRONIC,ASSY,VR2,GLIDE MOTORS,QUANTUM600,OFFBOARD CHARGER,FUTURE ACTUATOR EXPANSION	1	N/A	N/A	
A1	DWR1056H025	ELECTRONIC,HARNESS,MOTOR,RIGHT,VR2/GC,H-1056-025	1	\$16.66	\$42.48	
A2	DWR1056H024	ELECTRONIC,HARNESS,MOTOR,LEFT,VR2/GC,H-1056-024	1	\$16.66	\$42.48	
A3	DWR1010H128	ELECTRONIC,HARNESS,VR2 EXTENSION CABLE,H-1010-128,(P&G: SA77974)	1	\$7.56	\$19.28	
A4	DWR1265H030	ELECTRONIC,HARNESS,POWER TAKE OFF(PTO)/INHIBIT,VR2,H-1265-030	1	\$16.05	\$40.93	
A5	DWR1361H038	ELECTRONIC,HARNESS,RUN PLUG,SURE SEAL,SYNERGY TILT,H-1361-038	1	\$5.25	\$13.39	
A6	DWR1056H023	ELECTRONIC,HARNESS, BATTERY CABLE,VR2,JET3ULTRA/600 SERIES,H-1056-023	1	\$25.07	\$63.94	
B1 — B3	FRMASMB8064	MOUNTING BRACKET,ASSY,POWER MODULE W/HARDWARE,JAZZY600	1	\$12.6	\$32.13	
B1	DWR1056E018	POWER MODULE MOUNTING BRACKET,E-1056-018	1	\$12.6	\$32.13	
B2	SCRPPH1050	SCREW,PPH,BLACK ZINC,M4-.7 X 10MM	2	\$1.05	\$2.68	
B3	WASMETR1042	WASHER,FLAT,BLACK ZINC,4.3MM ID X 12MM OD X 1MM TH,METRIC,GB96-4	2	\$1.05	\$2.68	
C1 — C3	HDWASMB1057	QUICK RELEASE BUTTON,ASSY,REMOTE PLUS POWER MODULE,JAZZYULTRA	1	\$15.75	\$40.16	
C1	DWR1054B040	POWER MODULE SCREW,ZINC,M5-.8 X 55MM,B-1054-040	2	\$5.25	\$13.39	
C2	DWR1054B041	SPRING,COMPRESSION,BRIGHT ZINC,1.50" FL X 0.30" OD X 0.038" WIRE DIA X RATE:13.5LBS/IN,MUSIC WIRE,B-1054-041,(MCMaster CARR:9434K62)	2	\$4.2	\$10.71	
C3	DWR1054A012	POWER MODULE BUTTON,ZINC,M5-.8 TAP THRU X 12MM OD,A-1054-012	2	\$3.15	\$8.03	
D1	ELEASMB5867	CONTROLLER,VR2,ASSY,70 AMP,1 ACTUATOR,W/QUANTUM600 GLIDE PROGRAM	1	\$224.28	\$571.91	



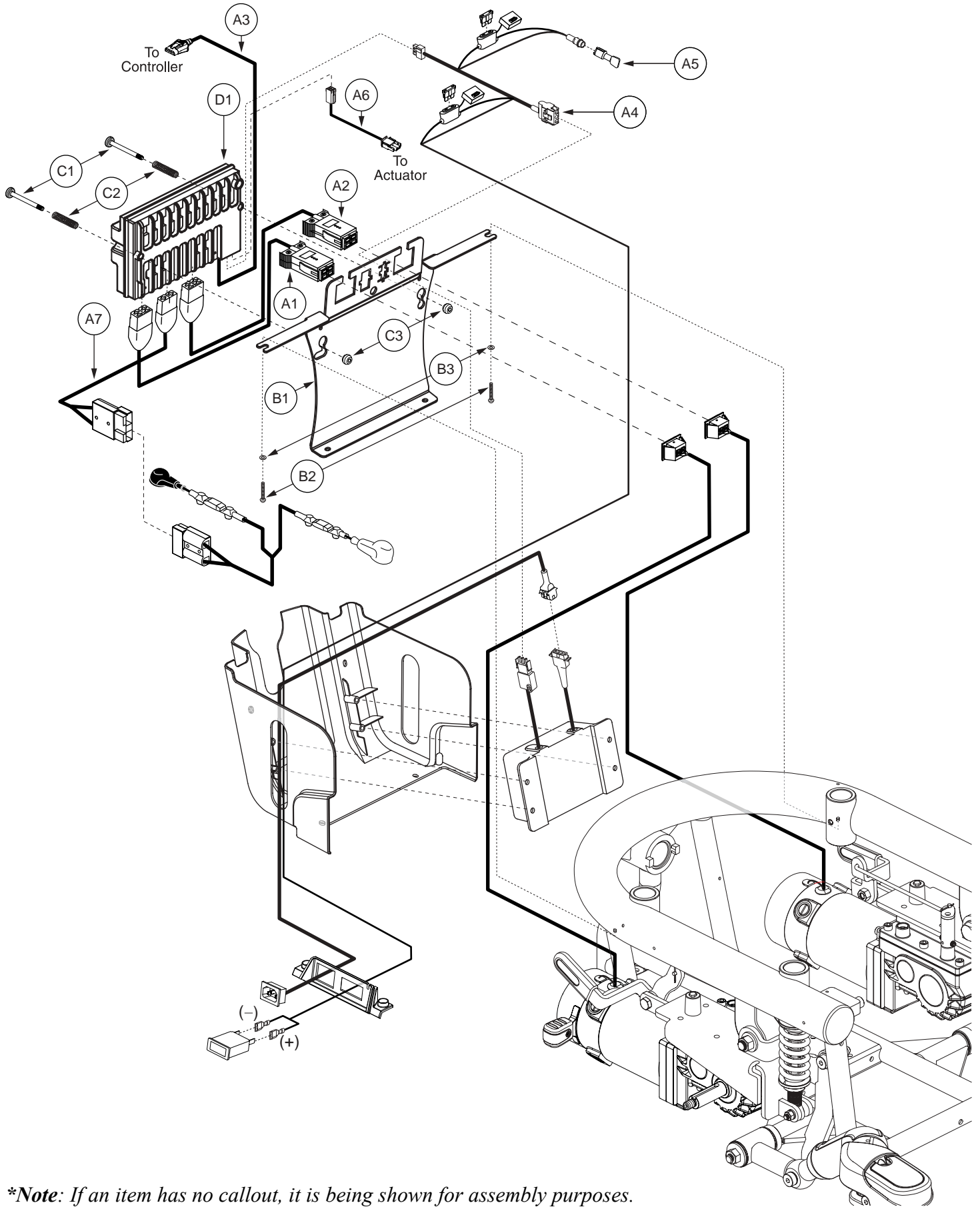
**Note: If an item has no callout, it is being shown for assembly purposes.*

REF #	PART #	DESCRIPTION	QTY	Dealer \$	MSRP	11i
A1 — D1	ELEASMB5645	ELECTRONIC,ASSY,VR2,H2 MOTORS,QUANTUM600,ONBOARD CHARGER	1	\$336.47	\$858	
A1	DWR1056H025	ELECTRONIC,HARNESS,MOTOR,RIGHT,VR2/GC,H-1056-025	1	\$16.66	\$42.48	
A2	DWR1056H024	ELECTRONIC,HARNESS,MOTOR,LEFT,VR2/GC,H-1056-024	1	\$16.66	\$42.48	
A3	DWR1010H128	ELECTRONIC,HARNESS,VR2 EXTENSION CABLE,H-1010-128,(P&G: SA77974)	1	\$7.56	\$19.28	
A4	DWR1056H022	ELECTRONIC,HARNESS,22"L W/7.5AMP INLINE ATO FUSE,CHARGER CABLE,VR2/GC,H-1056-022	1	\$17.01	\$43.38	
A5	DWR1056H023	ELECTRONIC,HARNESS, BATTERY CABLE,VR2,JET3ULTRA/600 SERIES,H-1056-023	1	\$25.07	\$63.94	
B1 — B3	FRMASMB8064	MOUNTING BRACKET,ASSY,POWER MODULE W/HARDWARE,JAZZY600	1	\$12.6	\$32.13	
B1	DWR1056E018	POWER MODULE MOUNTING BRACKET,E-1056-018	1	\$12.6	\$32.13	
B2	SCRPPH1050	SCREW,PPH,BLACK ZINC,M4-.7 X 10MM	2	\$1.05	\$2.68	
B3	WASMETR1042	WASHER,FLAT,BLACK ZINC,4.3MM ID X 12MM OD X 1MM TH,METRIC,GB96-4	2	\$1.05	\$2.68	
C1 — C3	HDWASMB1057	QUICK RELEASE BUTTON,ASSY,REMOTE PLUS POWER MODULE,JAZZYULTRA	1	\$15.75	\$40.16	
C1	DWR1054B040	POWER MODULE SCREW,ZINC,M5-.8 X 55MM,B-1054-040	2	\$5.25	\$13.39	
C2	DWR1054B041	SPRING,COMPRESSION,BRIGHT ZINC,1.50" FL X 0.30" OD X 0.038" WIRE DIA X RATE:13.5LBS/IN,MUSIC WIRE,B-1054-041,(MCMMASTER CARR:9434K62)	2	\$4.2	\$10.71	
C3	DWR1054A012	POWER MODULE BUTTON,ZINC,M5-.8 TAP THRU X 12MM OD,A-1054-012	2	\$3.15	\$8.03	
D1	ELEASMB5549	CONTROLLER,VR2,ASSY,70 AMP,W/QUANTUM600/6000Z H2 PROGRAM	1	\$214.2	\$546.21	



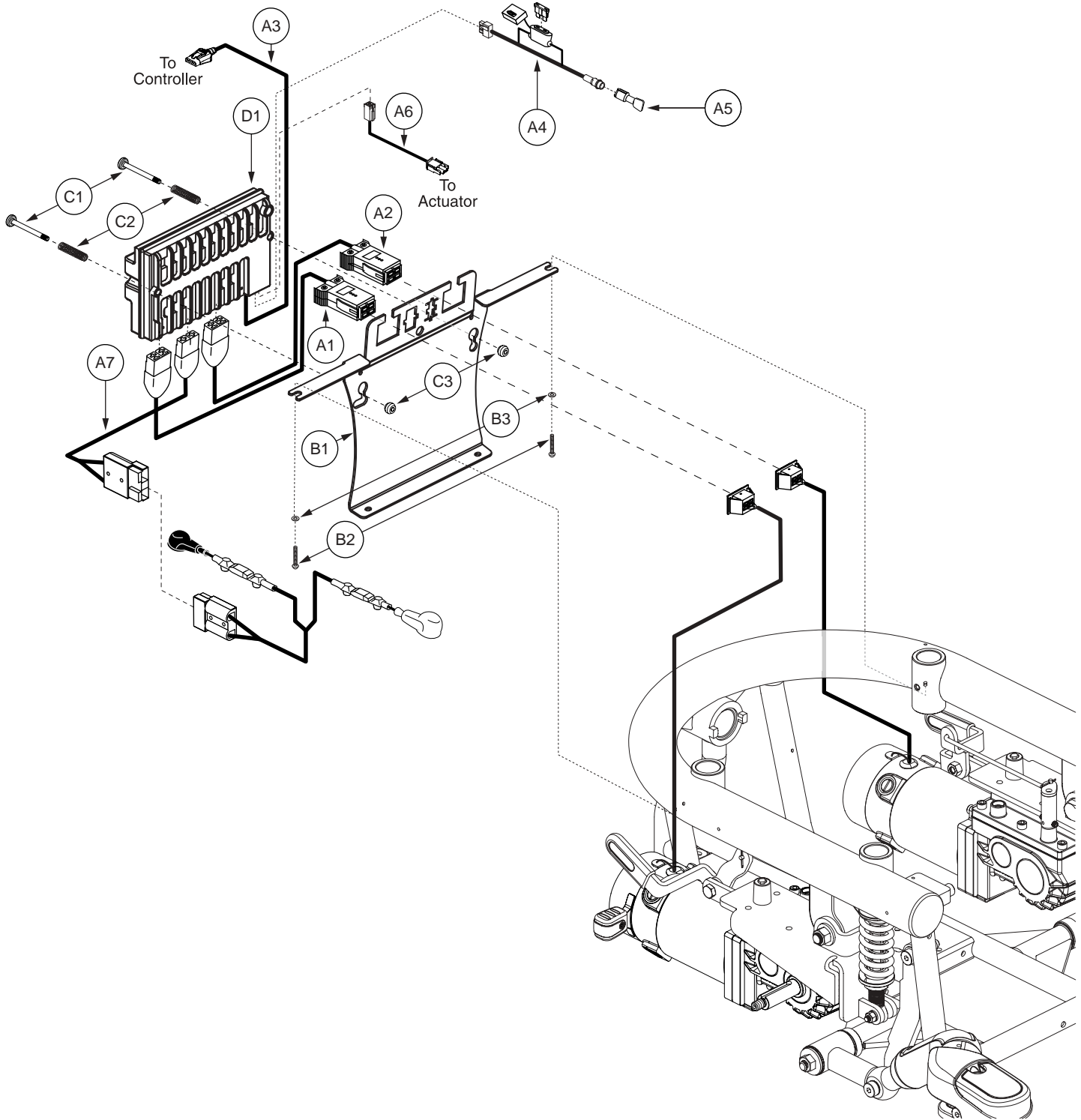
**Note: If an item has no callout, it is being shown for assembly purposes.*

REF #	PART #	DESCRIPTION	QTY	Dealer \$	MSRP	11i
A1 — D1	ELEASMB5644	ELECTRONIC,ASSY,VR2,H2 MOTORS,QUANTUM600,OFFBOARD CHARGER	1	N/A	N/A	
A1	DWR1056H025	ELECTRONIC,HARNESS,MOTOR,RIGHT,VR2/GC,H-1056-025	1	\$16.66	\$42.48	
A2	DWR1056H024	ELECTRONIC,HARNESS,MOTOR,LEFT,VR2/GC,H-1056-024	1	\$16.66	\$42.48	
A3	DWR1010H128	ELECTRONIC,HARNESS,VR2 EXTENSION CABLE,H-1010-128,(P&G: SA77974)	1	\$7.56	\$19.28	
A4	DWR1116H054	ELECTRONIC,HARNESS,RUN PLUG,VR2,H-1116-054	1	\$3.96	\$10.09	
A5	DWR1056H023	ELECTRONIC,HARNESS, BATTERY CABLE,VR2,JET3ULTRA/600 SERIES,H-1056-023	1	\$25.07	\$63.94	
B1 — B3	FRMASMB8064	MOUNTING BRACKET,ASSY,POWER MODULE W/HARDWARE,JAZZY600	1	\$12.6	\$32.13	
B1	DWR1056E018	POWER MODULE MOUNTING BRACKET,E-1056-018	1	\$12.6	\$32.13	
B2	SCRPPH1050	SCREW,PPH,BLACK ZINC,M4-.7 X 10MM	2	\$1.05	\$2.68	
B3	WASMETR1042	WASHER,FLAT,BLACK ZINC,4.3MM ID X 12MM OD X 1MM TH,METRIC,GB96-4	2	\$1.05	\$2.68	
C1 — C3	HDWASMB1057	QUICK RELEASE BUTTON,ASSY,REMOTE PLUS POWER MODULE,JAZZYULTRA	1	\$15.75	\$40.16	
C1	DWR1054B040	POWER MODULE SCREW,ZINC,M5-.8 X 55MM,B-1054-040	2	\$5.25	\$13.39	
C2	DWR1054B041	SPRING,COMPRESSION,BRIGHT ZINC,1.50" FL X 0.30" OD X 0.038" WIRE DIA X RATE:13.5LBS/IN,MUSIC WIRE,B-1054-041,(MCMaster CARR:9434K62)	2	\$4.2	\$10.71	
C3	DWR1054A012	POWER MODULE BUTTON,ZINC,M5-.8 TAP THRU X 12MM OD,A-1054-012	2	\$3.15	\$8.03	
D1	ELEASMB5549	CONTROLLER,VR2,ASSY,70 AMP,W/QUANTUM600/6000Z H2 PROGRAM	1	\$214.2	\$546.21	



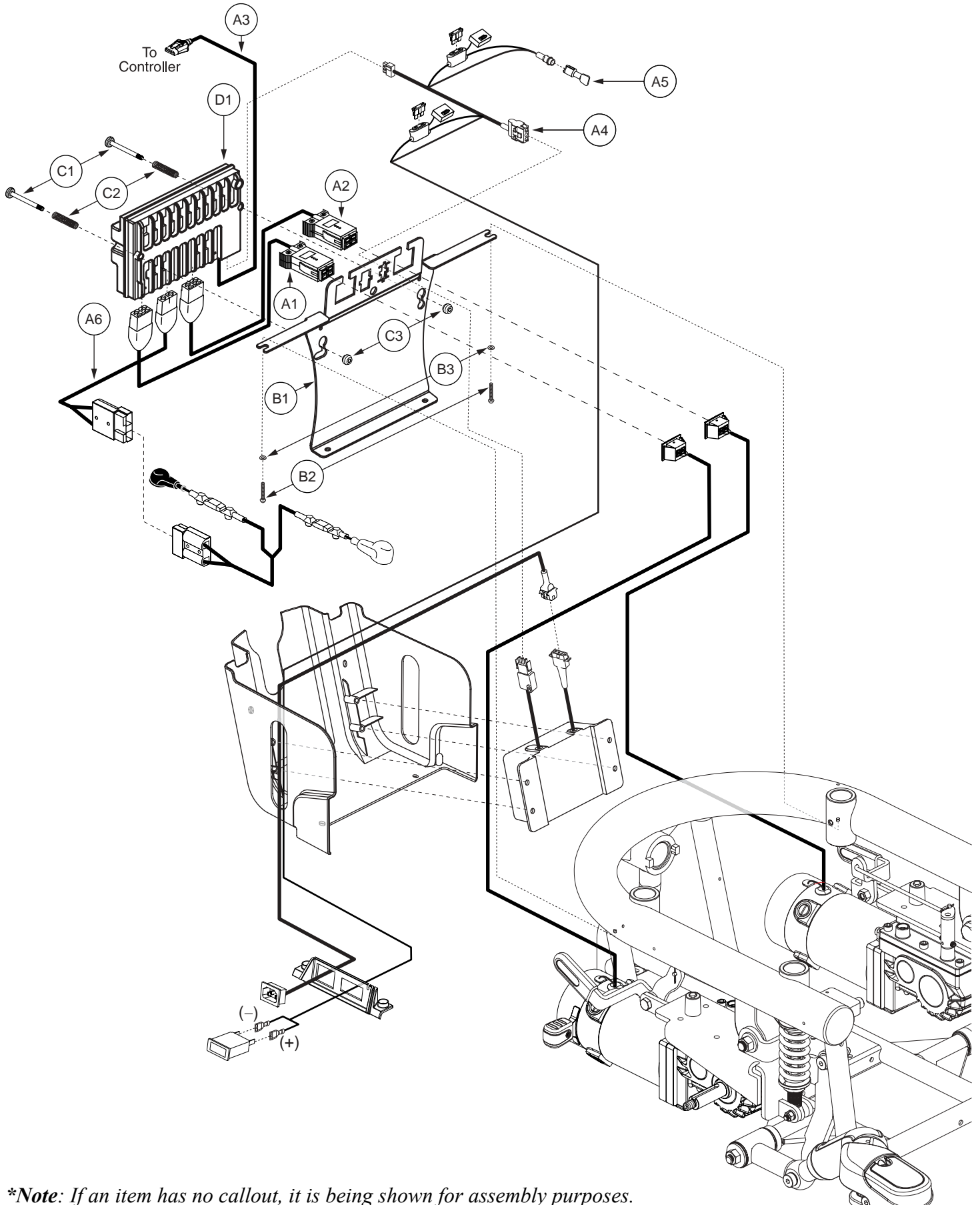
**Note: If an item has no callout, it is being shown for assembly purposes.*

REF #	PART #	DESCRIPTION	QTY	Dealer \$	MSRP	11i
A1 — D1	ELEASMB5692	ELECTRONIC,ASSY,VR2,H2 MOTORS,QUANTUM600,ONBOARD CHARGER,TILT THRU JOYSTICK	1	\$368.88	\$940.64	
A1	DWR1056H025	ELECTRONIC,HARNESS,MOTOR,RIGHT,VR2/GC,H-1056-025	1	\$16.66	\$42.48	
A2	DWR1056H024	ELECTRONIC,HARNESS,MOTOR,LEFT,VR2/GC,H-1056-024	1	\$16.66	\$42.48	
A3	DWR1010H128	ELECTRONIC,HARNESS,VR2 EXTENSION CABLE,H-1010-128,(P&G: SA77974)	1	\$7.56	\$19.28	
A4	DWR1265H029	ELECTRONIC,HARNESS,CHARGER/POWER TAKE OFF(PTO)/INHIBIT,VR2,H-1265-029	1	\$28.07	\$71.59	
A5	DWR1361H038	ELECTRONIC,HARNESS,RUN PLUG,SURE SEAL,SYNERGY TILT,H-1361-038	1	\$5.25	\$13.39	
A6	DWR1361H076	ELECTRONIC,HARNESS,TRU-BALANCE 2 POWER TILT/RECLINE ACTUATOR,VR2,H-1361-076	1	\$6.15	\$15.68	
A7	DWR1056H023	ELECTRONIC,HARNESS, BATTERY CABLE,VR2,JET3ULTRA/600 SERIES,H-1056-023	1	\$25.07	\$63.94	
B1 — B3	FRMASMB8064	MOUNTING BRACKET,ASSY,POWER MODULE W/HARDWARE,JAZZY600	1	\$12.6	\$32.13	
B1	DWR1056E018	POWER MODULE MOUNTING BRACKET,E-1056-018	1	\$12.6	\$32.13	
B2	SCRPPH1050	SCREW,PPH,BLACK ZINC,M4-.7 X 10MM	2	\$1.05	\$2.68	
B3	WASMETR1042	WASHER,FLAT,BLACK ZINC,4.3MM ID X 12MM OD X 1MM TH,METRIC,GB96-4	2	\$1.05	\$2.68	
C1 — C3	HDWASMB1057	QUICK RELEASE BUTTON,ASSY,REMOTE PLUS POWER MODULE,JAZZYULTRA	1	\$15.75	\$40.16	
C1	DWR1054B040	POWER MODULE SCREW,ZINC,M5-.8 X 55MM,B-1054-040	2	\$5.25	\$13.39	
C2	DWR1054B041	SPRING,COMPRESSION,BRIGHT ZINC,1.50" FL X 0.30" OD X 0.038" WIRE DIA X RATE:13.5LBS/IN,MUSIC WIRE,B-1054-041,(MCMMASTER CARR:9434K62)	2	\$4.2	\$10.71	
C3	DWR1054A012	POWER MODULE BUTTON,ZINC,M5-.8 TAP THRU X 12MM OD,A-1054-012	2	\$3.15	\$8.03	
D1	ELEASMB5691	CONTROLLER,VR2,ASSY,70 AMP,1 ACTUATOR,W/QUANTUM600/6000Z H2 PROGRAM	1	\$214.2	\$546.21	



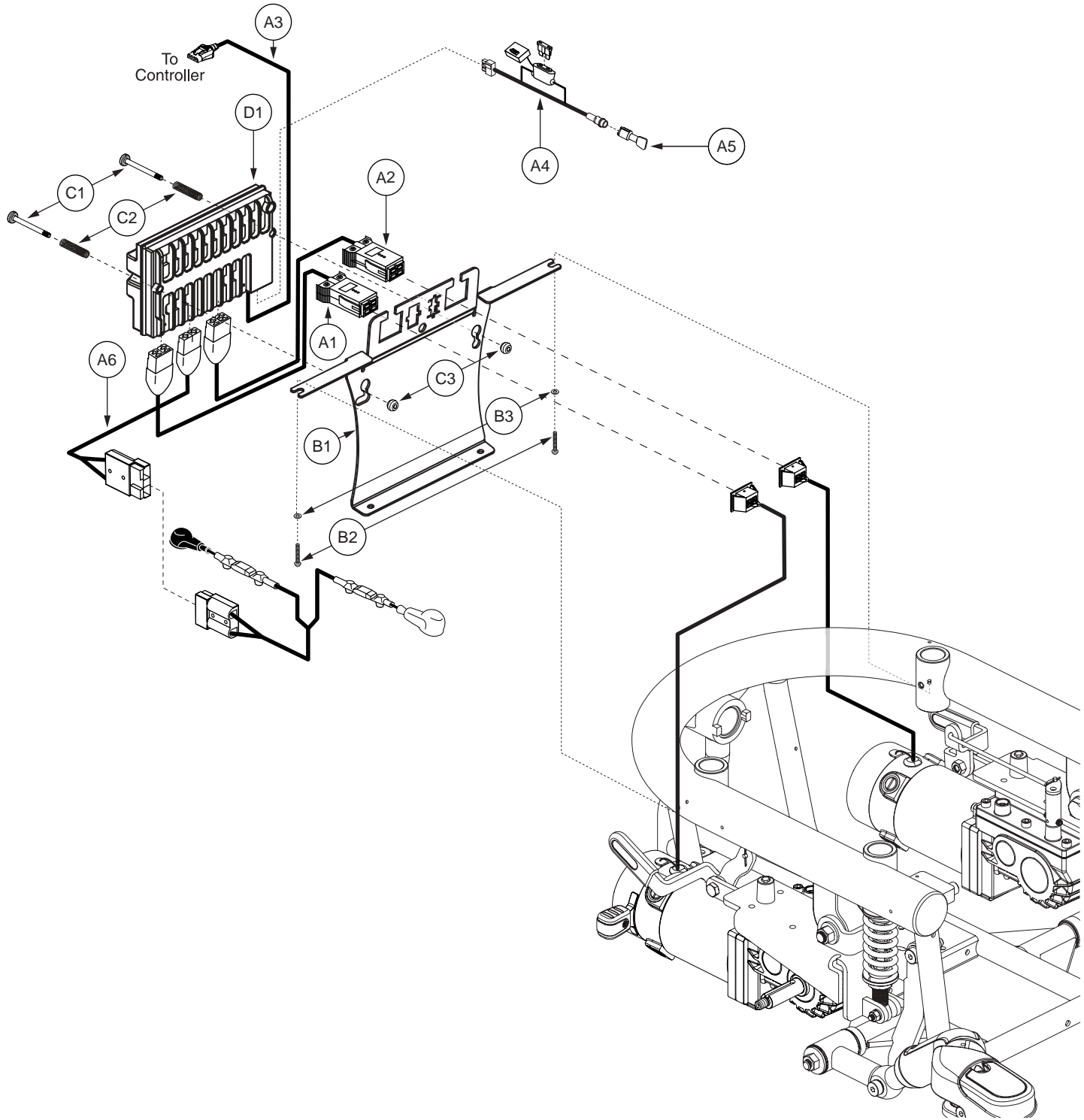
**Note: If an item has no callout, it is being shown for assembly purposes.*

REF #	PART #	DESCRIPTION	QTY	Dealer \$	MSRP	11i
A1 — D1	ELEASMB5693	ELECTRONIC,ASSY,VR2,H2 MOTORS,QUANTUM600,OFFBOARD CHARGER,TILT THRU JOYSTICK	1	\$356.86	\$909.99	
A1	DWR1056H025	ELECTRONIC,HARNESS,MOTOR,RIGHT,VR2/GC,H-1056-025	1	\$16.66	\$42.48	
A2	DWR1056H024	ELECTRONIC,HARNESS,MOTOR,LEFT,VR2/GC,H-1056-024	1	\$16.66	\$42.48	
A3	DWR1010H128	ELECTRONIC,HARNESS,VR2 EXTENSION CABLE,H-1010-128,(P&G: SA77974)	1	\$7.56	\$19.28	
A4	DWR1265H030	ELECTRONIC,HARNESS,POWER TAKE OFF(PTO)/INHIBIT,VR2,H-1265-030	1	\$16.05	\$40.93	
A5	DWR1361H038	ELECTRONIC,HARNESS,RUN PLUG,SURE SEAL,SYNERGY TILT,H-1361-038	1	\$5.25	\$13.39	
A6	DWR1361H076	ELECTRONIC,HARNESS,TRU-BALANCE 2 POWER TILT/RECLINE ACTUATOR,VR2,H-1361-076	1	\$6.15	\$15.68	
A7	DWR1056H023	ELECTRONIC,HARNESS, BATTERY CABLE,VR2,JET3ULTRA/600 SERIES,H-1056-023	1	\$25.07	\$63.94	
B1 — B3	FRMASMB8064	MOUNTING BRACKET,ASSY,POWER MODULE W/HARDWARE,JAZZY600	1	\$12.6	\$32.13	
B1	DWR1056E018	POWER MODULE MOUNTING BRACKET,E-1056-018	1	\$12.6	\$32.13	
B2	SCRPPH1050	SCREW,PPH,BLACK ZINC,M4-.7 X 10MM	2	\$1.05	\$2.68	
B3	WASMETR1042	WASHER,FLAT,BLACK ZINC,4.3MM ID X 12MM OD X 1MM TH,METRIC,GB96-4	2	\$1.05	\$2.68	
C1 — C3	HDWASMB1057	QUICK RELEASE BUTTON,ASSY,REMOTE PLUS POWER MODULE,JAZZYULTRA	1	\$15.75	\$40.16	
C1	DWR1054B040	POWER MODULE SCREW,ZINC,M5-.8 X 55MM,B-1054-040	2	\$5.25	\$13.39	
C2	DWR1054B041	SPRING,COMPRESSION,BRIGHT ZINC,1.50" FL X 0.30" OD X 0.038" WIRE DIA X RATE:13.5LBS/IN,MUSIC WIRE,B-1054-041,(MCMMASTER CARR:9434K62)	2	\$4.2	\$10.71	
C3	DWR1054A012	POWER MODULE BUTTON,ZINC,M5-.8 TAP THRU X 12MM OD,A-1054-012	2	\$3.15	\$8.03	
D1	ELEASMB5691	CONTROLLER,VR2,ASSY,70 AMP,1 ACTUATOR,W/QUANTUM600/6000Z H2 PROGRAM	1	\$214.2	\$546.21	



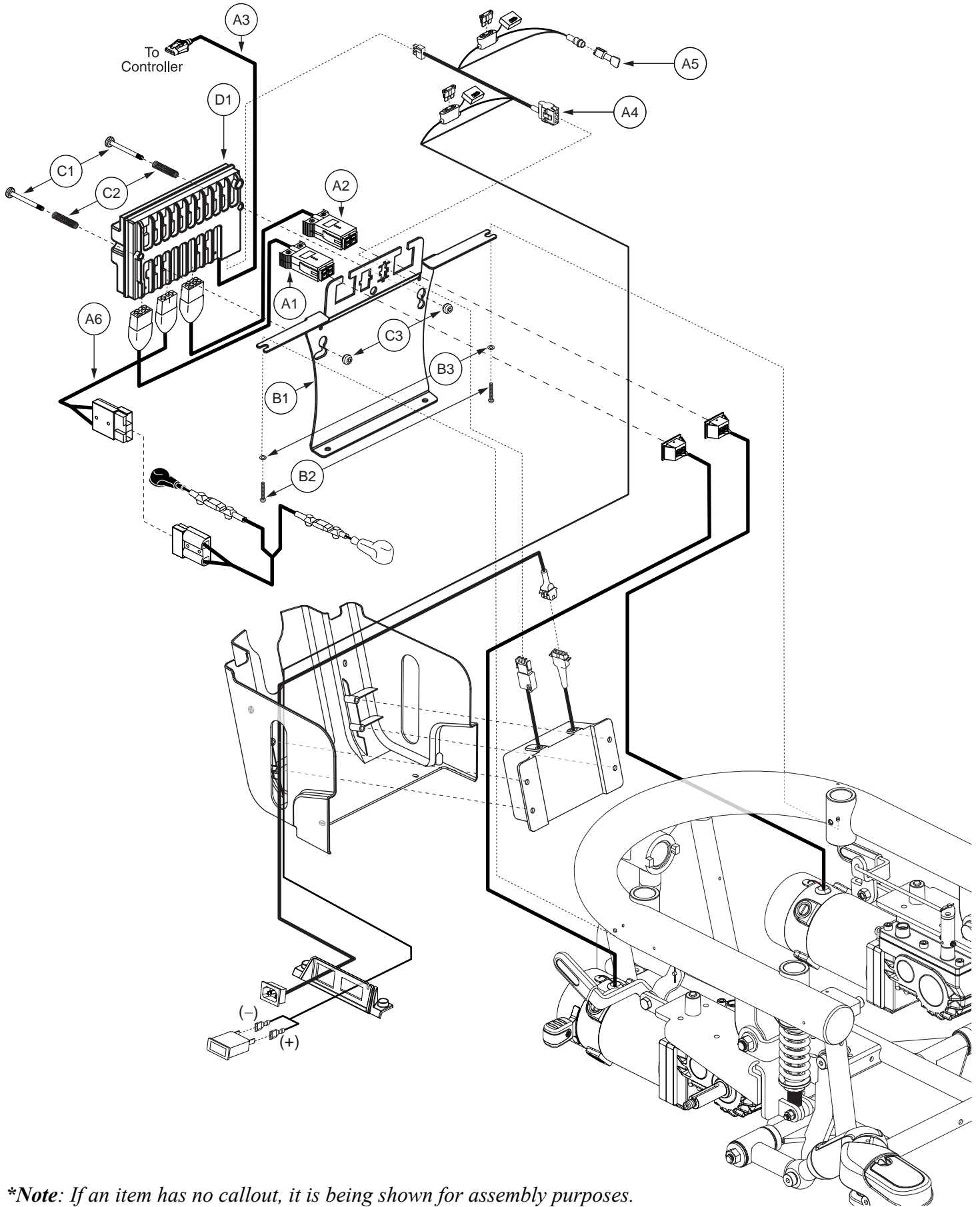
**Note: If an item has no callout, it is being shown for assembly purposes.*

REF #	PART #	DESCRIPTION	QTY	Dealer \$	MSRP	11i
A1 — D1	ELEASMB5648	ELECTRONIC,ASSY,VR2,H2 MOTORS,QUANTUM600,ONBOARD CHARGER,TILT THRU TOGGLE	1	\$352.65	\$899.25	
A1	DWR1056H025	ELECTRONIC,HARNESS,MOTOR,RIGHT,VR2/GC,H-1056-025	1	\$16.66	\$42.48	
A2	DWR1056H024	ELECTRONIC,HARNESS,MOTOR,LEFT,VR2/GC,H-1056-024	1	\$16.66	\$42.48	
A3	DWR1010H128	ELECTRONIC,HARNESS,VR2 EXTENSION CABLE,H-1010-128,(P&G: SA77974)	1	\$7.56	\$19.28	
A4	DWR1265H029	ELECTRONIC,HARNESS,CHARGER/POWER TAKE OFF(PTO)/INHIBIT,VR2,H-1265-029	1	\$28.07	\$71.59	
A5	DWR1361H038	ELECTRONIC,HARNESS,RUN PLUG,SURE SEAL,SYNERGY TILT,H-1361-038	1	\$5.25	\$13.39	
A6	DWR1056H023	ELECTRONIC,HARNESS, BATTERY CABLE,VR2,JET3ULTRA/600 SERIES,H-1056-023	1	\$25.07	\$63.94	
B1 — B3	FRMASMB8064	MOUNTING BRACKET,ASSY,POWER MODULE W/HARDWARE,JAZZY600	1	\$12.6	\$32.13	
B1	DWR1056E018	POWER MODULE MOUNTING BRACKET,E-1056-018	1	\$12.6	\$32.13	
B2	SCRPPH1050	SCREW,PPH,BLACK ZINC,M4-.7 X 10MM	2	\$1.05	\$2.68	
B3	WASMETR1042	WASHER,FLAT,BLACK ZINC,4.3MM ID X 12MM OD X 1MM TH,METRIC,GB96-4	2	\$1.05	\$2.68	
C1 — C3	HDWASMB1057	QUICK RELEASE BUTTON,ASSY,REMOTE PLUS POWER MODULE,JAZZYULTRA	1	\$15.75	\$40.16	
C1	DWR1054B040	POWER MODULE SCREW,ZINC,M5-.8 X 55MM,B-1054-040	2	\$5.25	\$13.39	
C2	DWR1054B041	SPRING,COMPRESSION,BRIGHT ZINC,1.50" FL X 0.30" OD X 0.038" WIRE DIA X RATE:13.5LBS/IN,MUSIC WIRE,B-1054-041,(MCMaster CARR:9434K62)	2	\$4.2	\$10.71	
C3	DWR1054A012	POWER MODULE BUTTON,ZINC,M5-.8 TAP THRU X 12MM OD,A-1054-012	2	\$3.15	\$8.03	
D1	ELEASMB5549	CONTROLLER,VR2,ASSY,70 AMP,W/QUANTUM600/6000Z H2 PROGRAM	1	\$214.2	\$546.21	



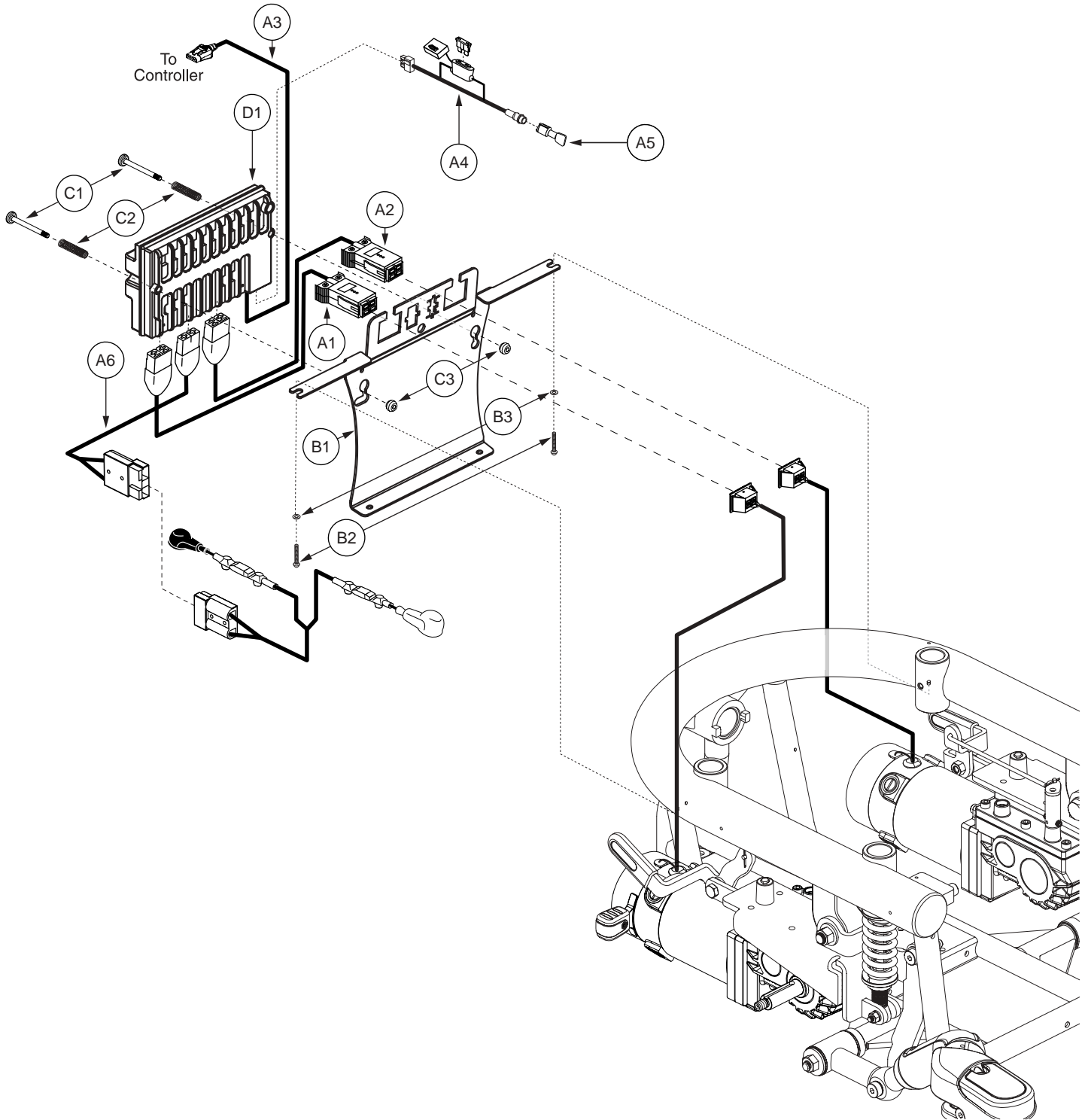
**Note: If an item has no callout, it is being shown for assembly purposes.*

REF #	PART #	DESCRIPTION	QTY	Dealer \$	MSRP	11i
A1 — D1	ELEASMB5649	ELECTRONIC,ASSY,VR2,H2 MOTORS,QUANTUM600,OFFBOARD CHARGER,TILT THRU TOGGLE	1	N/A	N/A	
A1	DWR1056H025	ELECTRONIC,HARNESS,MOTOR,RIGHT,VR2/GC,H-1056-025	1	\$16.66	\$42.48	
A2	DWR1056H024	ELECTRONIC,HARNESS,MOTOR,LEFT,VR2/GC,H-1056-024	1	\$16.66	\$42.48	
A3	DWR1010H128	ELECTRONIC,HARNESS,VR2 EXTENSION CABLE,H-1010-128,(P&G: SA77974)	1	\$7.56	\$19.28	
A4	DWR1265H030	ELECTRONIC,HARNESS,POWER TAKE OFF(PTO)/INHIBIT,VR2,H-1265-030	1	\$16.05	\$40.93	
A5	DWR1361H038	ELECTRONIC,HARNESS,RUN PLUG,SURE SEAL,SYNERGY TILT,H-1361-038	1	\$5.25	\$13.39	
A6	DWR1056H023	ELECTRONIC,HARNESS, BATTERY CABLE,VR2,JET3ULTRA/600 SERIES,H-1056-023	1	\$25.07	\$63.94	
B1 — B3	FRMASMB8064	MOUNTING BRACKET,ASSY,POWER MODULE W/HARDWARE,JAZZY600	1	\$12.6	\$32.13	
B1	DWR1056E018	POWER MODULE MOUNTING BRACKET,E-1056-018	1	\$12.6	\$32.13	
B2	SCRPPH1050	SCREW,PPH,BLACK ZINC,M4-.7 X 10MM	2	\$1.05	\$2.68	
B3	WASMETR1042	WASHER,FLAT,BLACK ZINC,4.3MM ID X 12MM OD X 1MM TH,METRIC,GB96-4	2	\$1.05	\$2.68	
C1— C3	HDWASMB1057	QUICK RELEASE BUTTON,ASSY,REMOTE PLUS POWER MODULE,JAZZYULTRA	1	\$15.75	\$40.16	
C1	DWR1054B040	POWER MODULE SCREW,ZINC,M5-.8 X 55MM,B-1054-040	2	\$5.25	\$13.39	
C2	DWR1054B041	SPRING,COMPRESSION,BRIGHT ZINC,1.50" FL X 0.30" OD X 0.038" WIRE DIA X RATE:13.5LBS/IN,MUSIC WIRE,B-1054-041,(MCMaster CARR:9434K62)	2	\$4.2	\$10.71	
C3	DWR1054A012	POWER MODULE BUTTON,ZINC,M5-.8 TAP THRU X 12MM OD,A-1054-012	2	\$3.15	\$8.03	
D1	ELEASMB5549	CONTROLLER,VR2,ASSY,70 AMP,W/QUANTUM600/6000Z H2 PROGRAM	1	\$214.2	\$546.21	



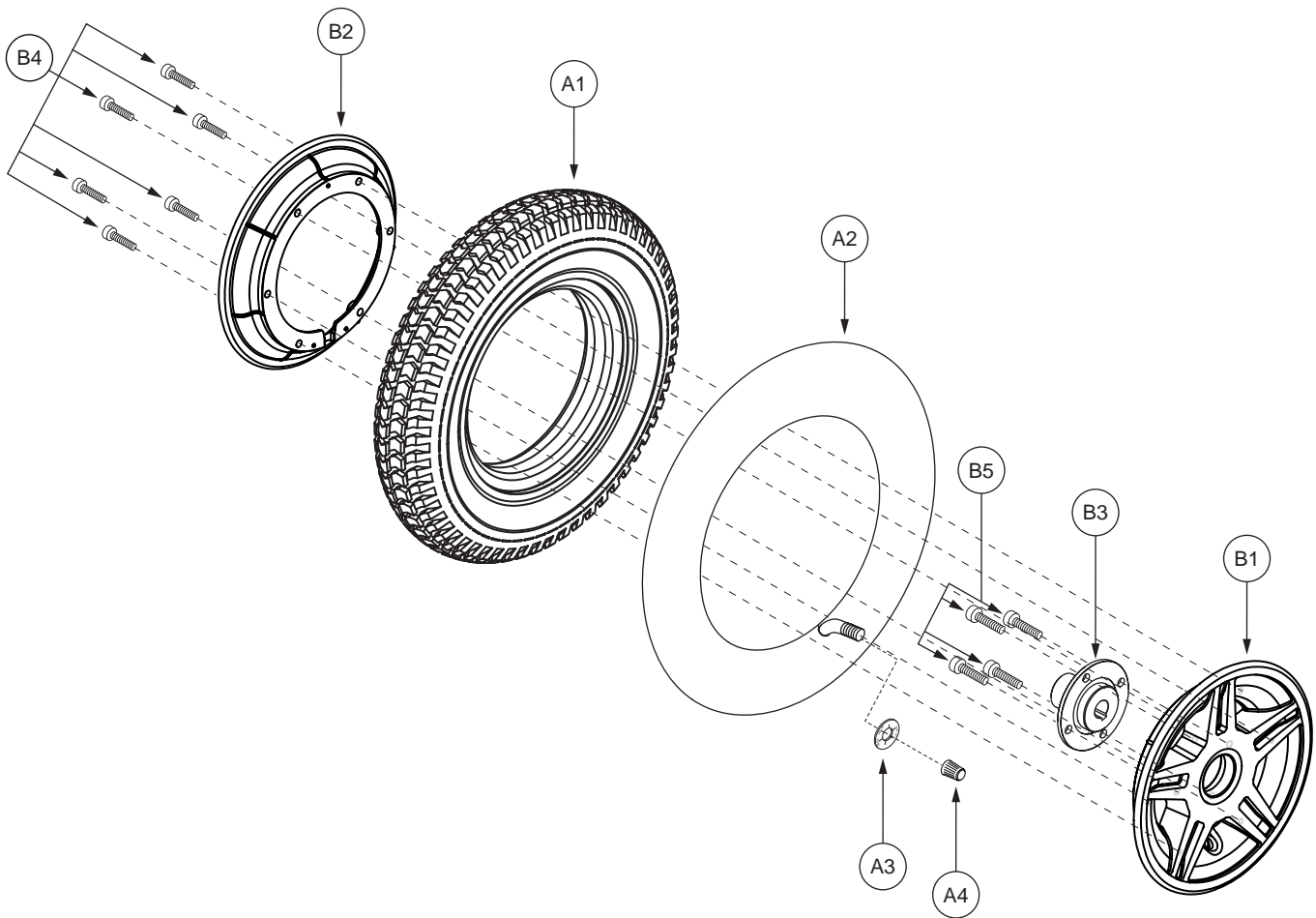
**Note: If an item has no callout, it is being shown for assembly purposes.*

REF #	PART #	DESCRIPTION	QTY	Dealer \$	MSRP	11i
A1 — D1	ELEASMB5850	ELECTRONIC,ASSY,VR2,H2 MOTORS,QUANTUM600,ONBOARD CHARGER,FUTURE ACTUATOR EXPANSION	1	\$341.82	\$871.64	
A1	DWR1056H025	ELECTRONIC,HARNESS,MOTOR,RIGHT,VR2/GC,H-1056-025	1	\$16.66	\$42.48	
A2	DWR1056H024	ELECTRONIC,HARNESS,MOTOR,LEFT,VR2/GC,H-1056-024	1	\$16.66	\$42.48	
A3	DWR1010H128	ELECTRONIC,HARNESS,VR2 EXTENSION CABLE,H-1010-128,(P&G: SA77974)	1	\$7.56	\$19.28	
A4	DWR1265H029	ELECTRONIC,HARNESS,CHARGER/POWER TAKE OFF(PTO)/INHIBIT,VR2,H-1265-029	1	\$28.07	\$71.59	
A5	DWR1361H038	ELECTRONIC,HARNESS,RUN PLUG,SURE SEAL,SYNERGY TILT,H-1361-038	1	\$5.25	\$13.39	
A6	DWR1056H023	ELECTRONIC,HARNESS, BATTERY CABLE,VR2,JET3ULTRA/600 SERIES,H-1056-023	1	\$25.07	\$63.94	
B1 — B3	FRMASMB8064	MOUNTING BRACKET,ASSY,POWER MODULE W/HARDWARE,JAZZY600	1	\$12.6	\$32.13	
B1	DWR1056E018	POWER MODULE MOUNTING BRACKET,E-1056-018	1	\$12.6	\$32.13	
B2	SCRPPH1050	SCREW,PPH,BLACK ZINC,M4-.7 X 10MM	2	\$1.05	\$2.68	
B3	WASMETR1042	WASHER,FLAT,BLACK ZINC,4.3MM ID X 12MM OD X 1MM TH,METRIC,GB96-4	2	\$1.05	\$2.68	
C1 — C3	HDWASMB1057	QUICK RELEASE BUTTON,ASSY,REMOTE PLUS POWER MODULE,JAZZYULTRA	1	\$15.75	\$40.16	
C1	DWR1054B040	POWER MODULE SCREW,ZINC,M5-.8 X 55MM,B-1054-040	2	\$5.25	\$13.39	
C2	DWR1054B041	SPRING,COMPRESSION,BRIGHT ZINC,1.50" FL X 0.30" OD X 0.038" WIRE DIA X RATE:13.5LBS/IN,MUSIC WIRE,B-1054-041,(MCMaster CARR:9434K62)	2	\$4.2	\$10.71	
C3	DWR1054A012	POWER MODULE BUTTON,ZINC,M5-.8 TAP THRU X 12MM OD,A-1054-012	2	\$3.15	\$8.03	
D1	ELEASMB5691	CONTROLLER,VR2,ASSY,70 AMP,1 ACTUATOR,W/QUANTUM600/6000Z H2 PROGRAM	1	\$214.2	\$546.21	



**Note: If an item has no callout, it is being shown for assembly purposes.*

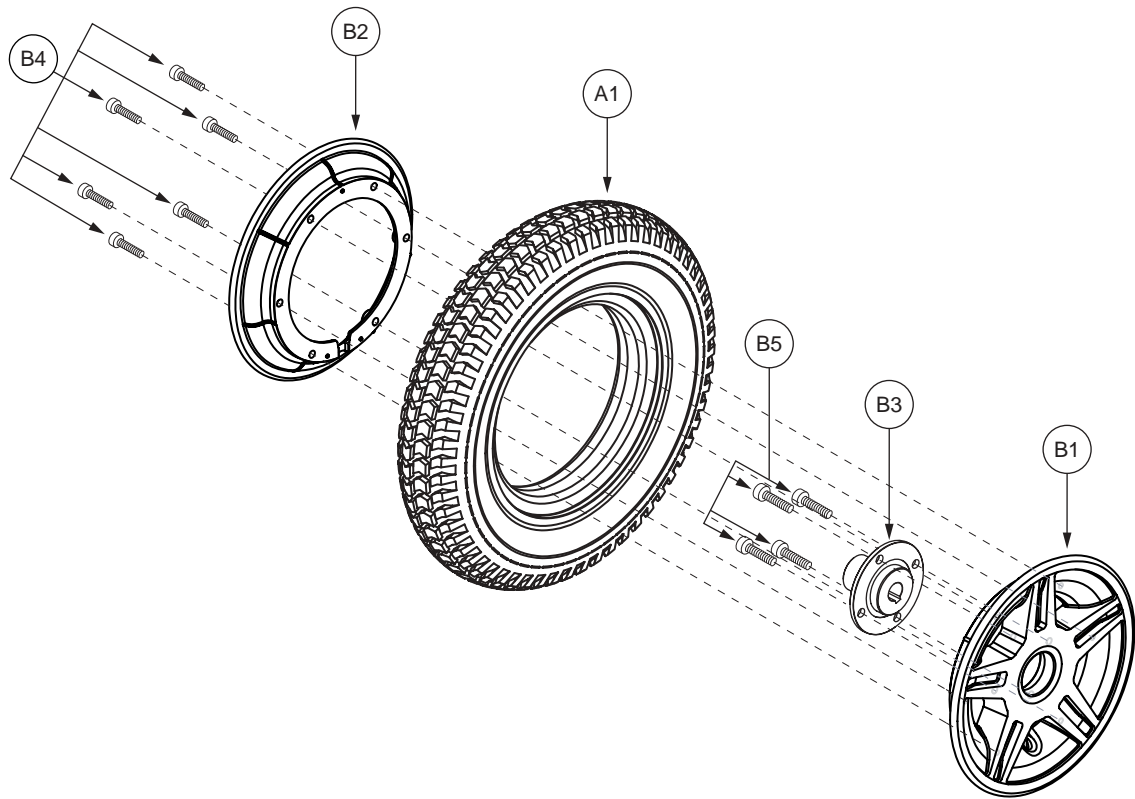
REF #	PART #	DESCRIPTION	QTY	Dealer \$	MSRP	11i
A1 — D1	ELEASMB5851	ELECTRONIC,ASSY,VR2,H2 MOTORS,QUANTUM600,OFFBOARD CHARGER,FUTURE ACTUATOR EXPANSION	1	N/A	N/A	
A1	DWR1056H025	ELECTRONIC,HARNESS,MOTOR,RIGHT,VR2/GC,H-1056-025	1	\$16.66	\$42.48	
A2	DWR1056H024	ELECTRONIC,HARNESS,MOTOR,LEFT,VR2/GC,H-1056-024	1	\$16.66	\$42.48	
A3	DWR1010H128	ELECTRONIC,HARNESS,VR2 EXTENSION CABLE,H-1010-128,(P&G: SA77974)	1	\$7.56	\$19.28	
A4	DWR1265H030	ELECTRONIC,HARNESS,POWER TAKE OFF(PTO)/INHIBIT,VR2,H-1265-030	1	\$16.05	\$40.93	
A5	DWR1361H038	ELECTRONIC,HARNESS,RUN PLUG,SURE SEAL,SYNERGY TILT,H-1361-038	1	\$5.25	\$13.39	
A6	DWR1056H023	ELECTRONIC,HARNESS, BATTERY CABLE,VR2,JET3ULTRA/600 SERIES,H-1056-023	1	\$25.07	\$63.94	
B1 — B3	FRMASMB8064	MOUNTING BRACKET,ASSY,POWER MODULE W/HARDWARE,JAZZY600	1	\$12.6	\$32.13	
B1	DWR1056E018	POWER MODULE MOUNTING BRACKET,E-1056-018	1	\$12.6	\$32.13	
B2	SCRPPH1050	SCREW,PPH,BLACK ZINC,M4-.7 X 10MM	2	\$1.05	\$2.68	
B3	WASMETR1042	WASHER,FLAT,BLACK ZINC,4.3MM ID X 12MM OD X 1MM TH,METRIC,GB96-4	2	\$1.05	\$2.68	
C1 — C3	HDWASMB1057	QUICK RELEASE BUTTON,ASSY,REMOTE PLUS POWER MODULE,JAZZYULTRA	1	\$15.75	\$40.16	
C1	DWR1054B040	POWER MODULE SCREW,ZINC,M5-.8 X 55MM,B-1054-040	2	\$5.25	\$13.39	
C2	DWR1054B041	SPRING,COMPRESSION,BRIGHT ZINC,1.50" FL X 0.30" OD X 0.038" WIRE DIA X RATE:13.5LBS/IN,MUSIC WIRE,B-1054-041,(MCMaster CARR:9434K62)	2	\$4.2	\$10.71	
C3	DWR1054A012	POWER MODULE BUTTON,ZINC,M5-.8 TAP THRU X 12MM OD,A-1054-012	2	\$3.15	\$8.03	
D1	ELEASMB5691	CONTROLLER,VR2,ASSY,70 AMP,1 ACTUATOR,W/QUANTUM600/6000Z H2 PROGRAM	1	\$214.2	\$546.21	



REF #	PART #	DESCRIPTION	QTY	Dealer \$	MSRP	11i
A1 — B5	WHLASMB1653	WHEEL, ASSY, PNEUMATIC DRIVE WHEEL, 3.00 X 8", W/STAR RIM, E-1056-051	2	\$72	\$183	
A1	TIRPNEU1004	TIRE, PNEUMATIC, 300-8 X 14", C-248-5	1	\$13.65	\$34.81	
A2	TUBSTND1002	TUBE, 300-8, ANGLED VALVE W/CAP	1	\$6.3	\$16.07	
A3	DWR7700A010	SLIP COVER, VALVE STEM, 35PSI, 2.4 BAR, MAX RATING, A-7700-010	1	\$1.05	\$2.68	
A4	PLSINDV1003	CAP, BLACK, VALVE	1	\$1.05	\$2.68	
B1 — B5	WHLASMB1580	WHEEL, ASSY, RIM, JET MAG, E-1056-019	1	\$58.8	\$149.94	
B1	DWR1056D009	WHEEL, RIM, ALUMINUM, 8", OUTER, D-1056-009	1	\$16.8	\$42.84	
B2	DWR1056D007	WHEEL, RIM, ALUMINUM, 8", INNER, D-1056-007	1	\$16.8	\$42.84	
B3	DWR1200C166	WHEEL, HUB, FORGED STEEL, 2.736" BC X 3.39" DIA X 1.89" TH, W/KEYWAY, C-1200-166	1	\$14.7	\$37.49	
B4	SCRSHCS1139	SCREW, SHCS, BLACK OXIDE, 1/4" X 0.75", W/OIL RESISTANT LOCTITE	6	\$1.05	\$2.68	
B5	SCRSHCS1138	SCREW, SHCS, BLACK OXIDE, 5/16-24 X 0.75", W/OIL RESISTANT LOCTITE	4	\$1.05	\$2.68	

Notes :

Generation #2. Retrofits all previous generations.

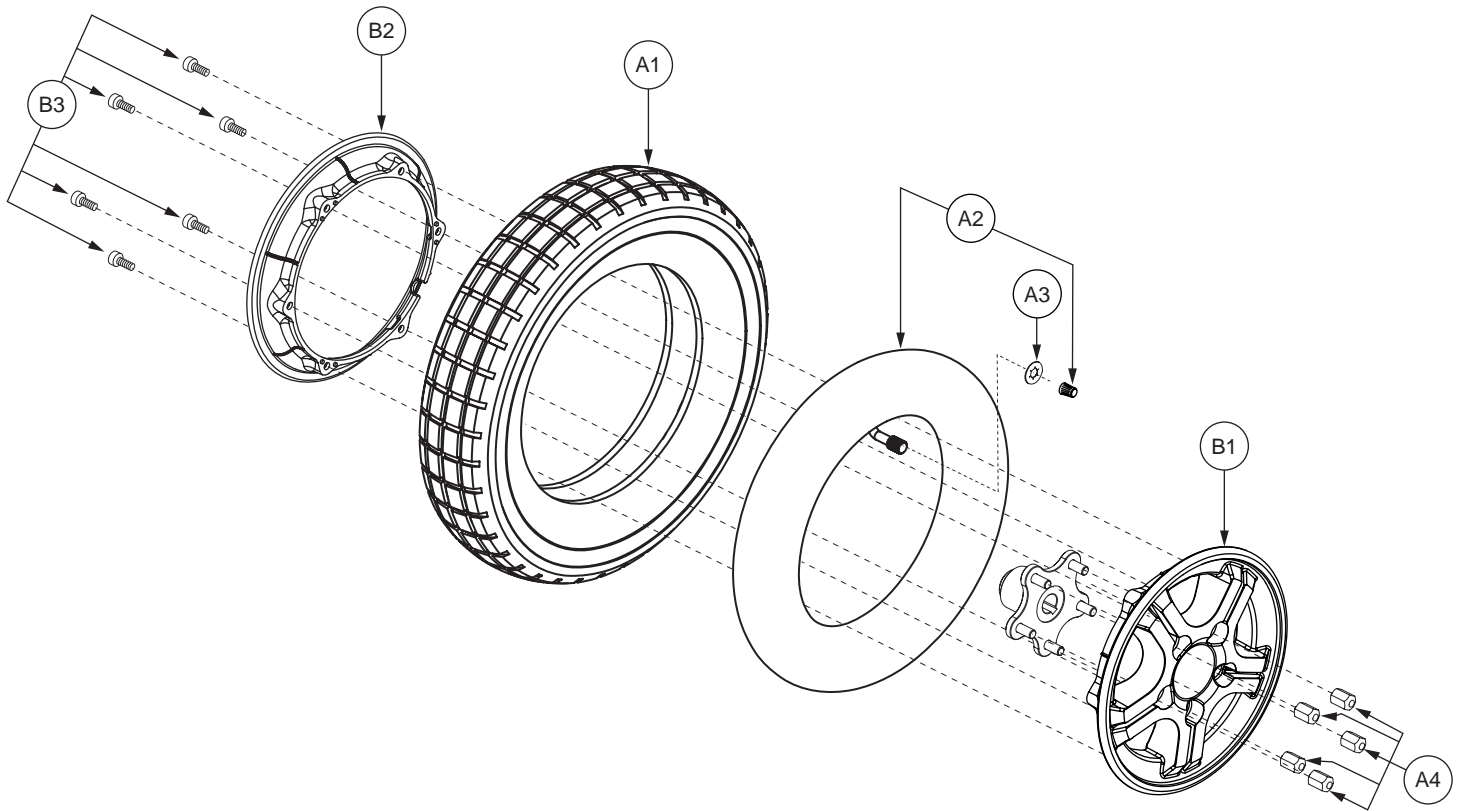


REF #	PART #	DESCRIPTION	QTY	Dealer \$	MSRP	11i
A1 — B5	WHLASMB1654	WHEEL,ASSY,FLAT FREE DRIVE WHEEL,3.00 X 8",W/STAR RIM,E-1056-052	2	\$61.95	\$157.97	
A1	TIRSOLI1081	TIRE,W/FLAT FREE INSERT,3.00-8 X 14",PRIMO POWERTRAX,C-248,INTERIOR RIB,(GALLOP: 5508019 Y57)	1	\$47.78	\$121.84	
B1 — B5	WHLASMB1580	WHEEL,ASSY,RIM,JET MAG,E-1056-019	1	\$58.8	\$149.94	
B1	DWR1056D009	WHEEL,RIM,ALUMINUM,8",OUTER,D-1056-009	1	\$16.8	\$42.84	
B2	DWR1056D007	WHEEL,RIM,ALUMINUM,8",INNER,D-1056-007	1	\$16.8	\$42.84	
B3	DWR1200C166	WHEEL,HUB,FORGED STEEL,2.736"BC X 3.39"DIA X 1.89"TH,W/KEYWAY,C-1200-166	1	\$14.7	\$37.49	
B4	SCRSHCS1139	SCREW, SHCS,BLACK OXIDE,1/4" X 0.75",W/OIL RESISTANT LOCTITE	6	\$1.05	\$2.68	
B5	SCRSHCS1138	SCREW, SHCS,BLACK OXIDE,5/16-24 X 0.75",W/OIL RESISTANT LOCTITE	4	\$1.05	\$2.68	

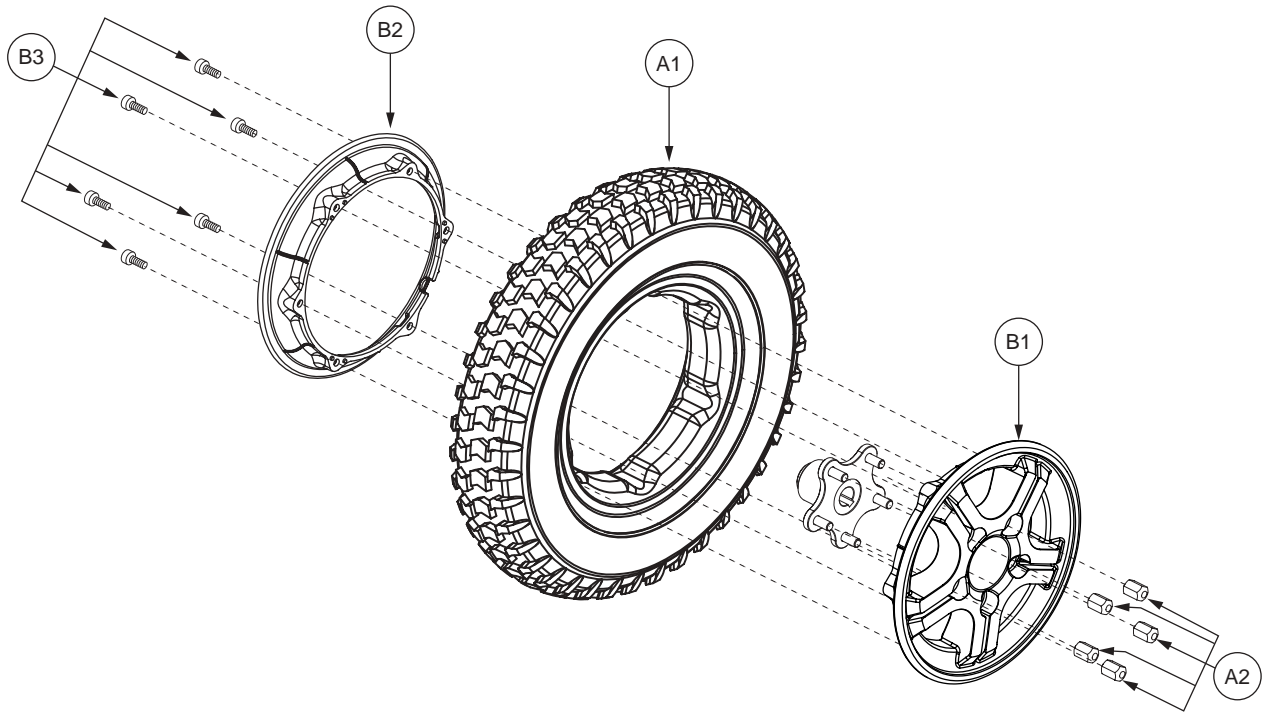
Notes :

Generation #2. Retrofits all previous generations.

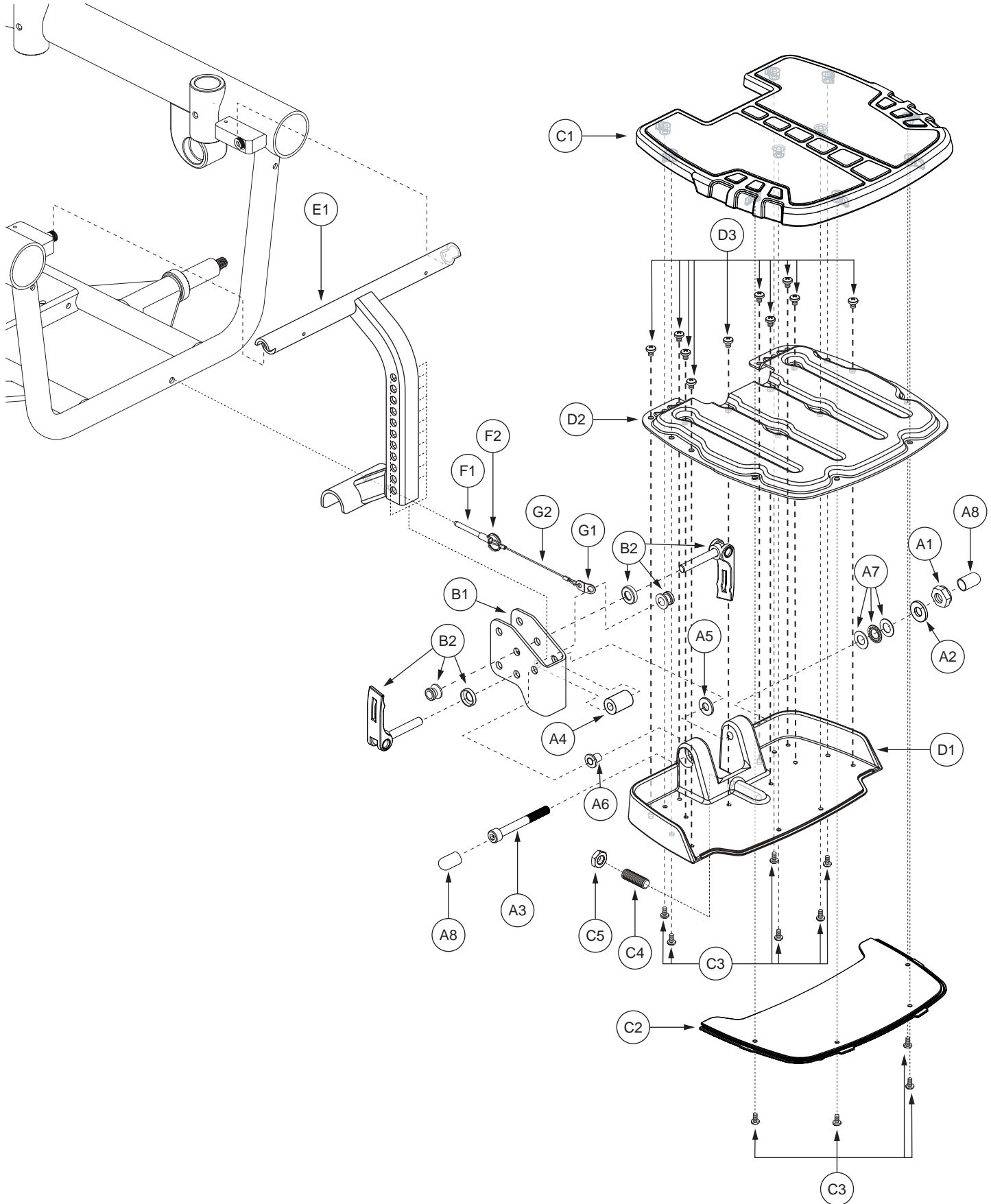
Deleted TIRSOLI1008 and added TIRSOLI1081



REF #	PART #	DESCRIPTION	QTY	Dealer \$	MSRP	11i
A1 — B3	WHLASMB1814	WHEEL, ASSY, PNEUMATIC DRIVE WHEEL, SILVER, 3.00 X 8, 5 SPOKE, C-248-5, W/LUGNUTS, E-1203-009	2	N/A	N/A	
A1	TIRPNEU1004	TIRE, PNEUMATIC, 300-8 X 14", C-248-5	1	\$13.65	\$34.81	
A2	TUBSTND1002	TUBE, 300-8, ANGLED VALVE W/CAP	1	\$6.3	\$16.07	
A3	DWR7700A010	SLIP COVER, VALVE STEM, 35PSI, 2.4 BAR, MAX RATING, A-7700-010	1	\$1.05	\$2.68	
A4	DWR1005B049	NUT, LUG, ZINC, 5/16-24, B-1005-049	5	\$1.05	\$2.68	
B1 — B3	WHLASMB1812	WHEEL, ASSY, RIM, SILVER, 8" ALUMINUM, 5 SPOKE, MACHINED FACE, D-1203-014	1	N/A	N/A	
B1	DWR1203E008B	WHEEL, RIM, SILVER, ALUMINUM, 8", 5 SPOKE, MACHINED FACED, OUTER, E-1203-008	1	N/A	N/A	
B2	DWR1133E025B	WHEEL, RIM, SILVER, ALUMINUM, 8", TRI-SPOKE, INNER, E-1133-025	1	N/A	N/A	
B3	SCRALNH1037	SCREW, SHCS, M6-1.0 X 16MM	6	\$1.05	\$2.68	



REF #	PART #	DESCRIPTION	QTY	Dealer \$	MSRP	11i
A1 — B3	WHLASMB1813	WHEEL,ASSY,FLAT FREE DRIVE WHEEL,SILVER,3.00 X 8,5 SPOKE,C-248-5,W/LUGNUTS,D-1203-015	2	N/A	N/A	
A1	TIRSOLI1075	TIRE,W/FLAT FREE INSERT,3.00-8 X 14",5 SPOKE,PRIMO POWERTRAX,C-248,(GALLOP: 5508018 YT57)	1	\$43.32	\$110.46	
A2	DWR1005B049	NUT,LUG,ZINC,5/16-24,B-1005-049	5	\$1.05	\$2.68	
B1 — B3	WHLASMB1812	WHEEL,ASSY,RIM,SILVER,8" ALUMINUM,5 SPOKE,MACHINED FACE,D-1203-014	1	N/A	N/A	
B1	DWR1203E008B	WHEEL,RIM,SILVER,ALUMINUM,8",5 SPOKE,MACHINED FACED,OUTER,E-1203-008	1	N/A	N/A	
B2	DWR1133E025B	WHEEL,RIM,SILVER,ALUMINUM,8",TRI-SPOKE,INNER,E-1133-025	1	N/A	N/A	
B3	SCRALNH1037	SCREW,SHCS,M6-1.0 X 16MM	6	\$1.05	\$2.68	



**Note: If an item has no callout, it is being shown for assembly purposes.*

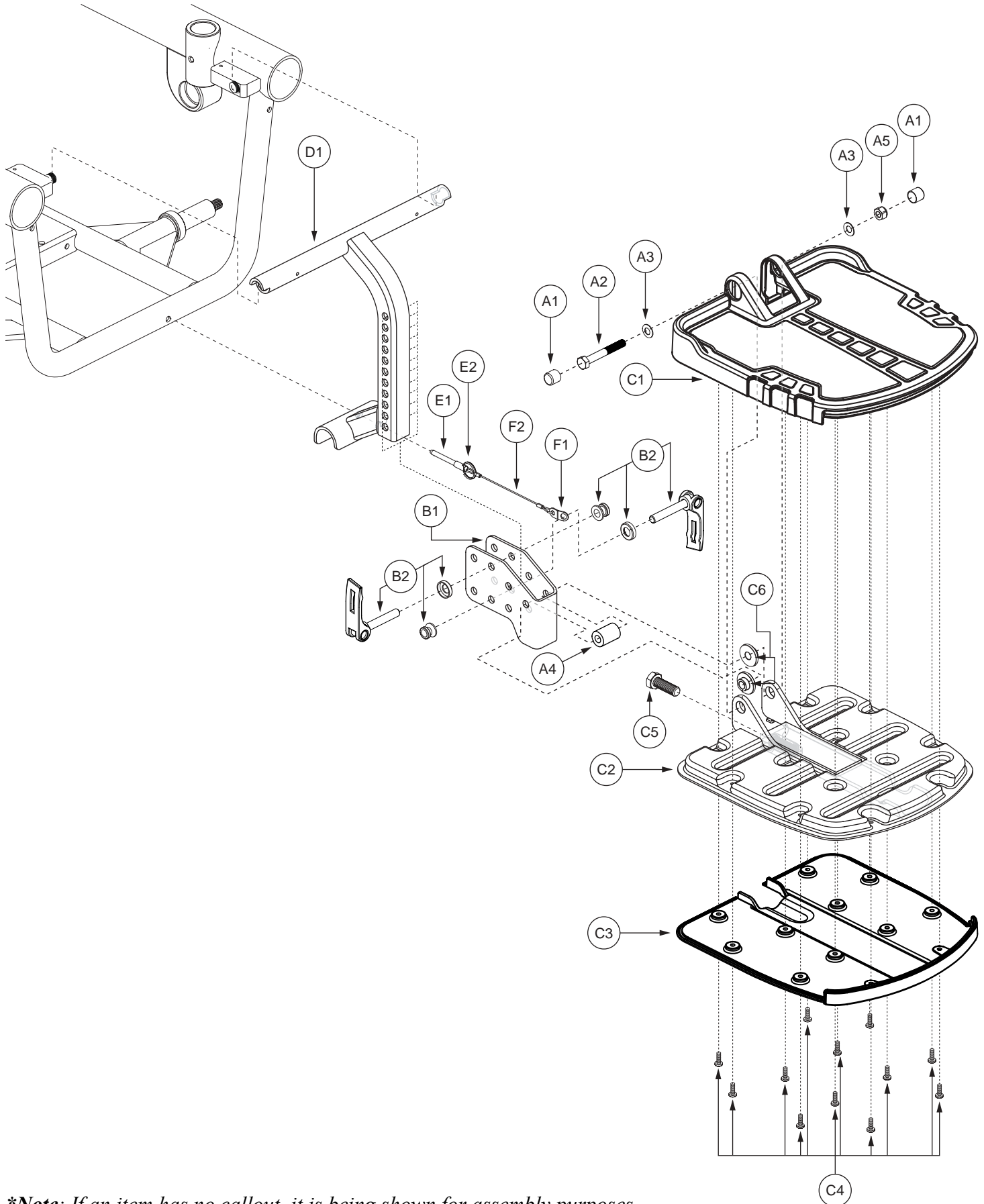
REF #	PART #	DESCRIPTION	QTY	Dealer \$	MSRP	11i
A1 — D3	FRMASMB7639	FOOT PLATFORM,ASSY,W/MOUNTING BRACKET,JAZZY600/QUANTUM6000	1	\$131.25	\$334.69	
A1	NUTNJAM1020	NUT,NYLOCK JAM,BLACK ZINC,M8-1.25	1	\$1.05	\$2.68	
A2	DWR1000B459	SPACER,STEEL,0.328" ID X 0.50" OD X 0.076" TH,B-1000-459	1	\$1.05	\$2.68	
A3	SCRSHCS1170	SCREW,SHCS,BLACK ZINC,M8-1.25 X 80MM,GRADE 12.9	1	\$1.05	\$2.68	
A4	DWR1056B024	SPACER, STEEL,8.8MM ID X 18MM OD X 25.8MM TH,B-1056-024	1	\$1.05	\$2.68	
A5	WASNYLN1066	WASHER,BLACK,NYLON,8MM ID X 22MM OD X 3MM TH	1	\$1.05	\$2.68	
A6	DWR1000B458	FOOT PLATFORM MOUNTING SLEEVE,FLANGE,STEEL,B-1000-458	1	\$1.05	\$2.68	
*A7	BRGSBTH1000	BEARING,BALL THRUST,STAINLESS STEEL,0.3125" ID X 0.625" OD X 0.193" TH,(MCMaster-CARR: 6655K34)	1	\$1.05	\$2.68	
A8	PROECAP1080	CAP,VINYL,0.50" ID,FITS 0.50" - 0.5625" OD,0.50" H,(MCMaster CARR: 9753K44)	2	\$1.05	\$2.68	
B1 — B2	FRMASMB6635	FOOT PLATFORM MOUNTING BRACKET,ASSY,JAZZYULTRA/610,D-1054-053	1	\$6.3	\$16.07	
B1	DWR1054C004	FOOT PLATFORM MOUNTING BRACKET,C-1054-004	1	\$1.05	\$2.68	
*B2	DWR1054B025	LEVER,B-1054-025	2	\$2.34	\$5.98	
C1 — D3	FRMASMB8001	FOOT PLATFORM,ASSY,W/RUBBER MAT,E-1056-046	1	\$100.8	\$257.04	
C1	DWR1056E029	MAT,RUBBER,FOOT PLATFORM,E-1056-029	1	\$12.6	\$32.13	
C2	DWR1056E031	FOOT PLATFORM,BOTTOM COVER,E-1056-031	1	N/A	N/A	
C3	SCRPPH1036	SCREW, PPH,BLACK ZINC,M4-.7 X 8MM	10	\$1.05	\$2.68	
C4	SCRSETS1096	SCREW,SET,BLACK ZINC,M10-1.5 X 30MM	1	\$1.05	\$2.68	
C5	NUTJAM1028	NUT,JAM,BLACK ZINC CHROMATE,M10-1.5	1	\$1.05	\$2.68	
D1 — D3	FRMASMB8003	FOOT PLATFORM,ASSY,BASE,D-1056-033	1	\$70.35	\$179.39	
D1	DWR1056E030	FOOT PLATFORM,BASE,E-1056-030	1	N/A	N/A	
D2	DWR1056E032	FOOT PLATFORM,STAMPING,E-1056-032	1	\$7.86	\$20.05	
D3	SCRPPH1314	SCREW,PPH,BLACK ZINC,M5-.8 X 6MM,GRADE 8.8	10	\$1.05	\$2.68	
E1 — G2	FRMASMB7763	FRAME,ASSY,BATTERY ACCESS BRACKET,STANDARD,JAZZY/QUANTUM600	1	\$37.8	\$96.39	
E1	DWR1056D004	FOOT PLATFORM UPRIGHT TUBE WELDMENT,D-1056-004	1	N/A	N/A	
F1 — G2	FRMASMB6986	FOOTREST PIN & LANYARD,ASSY,JAZZY600,C-1056-028	1	\$6.3	\$16.07	
F1	DWR1133B045	QUICK RELEASE PIN,SHOULDER STYLE-SELF LOCKING,6MM X 38.10MM GRIP LENGTH,B-1133-045	1	\$1.05	\$2.68	
F2	DWR1133B044	RING,0.94"OD X 0.61" WIRE DIA, 1-3/4 TURNS,B-1133-044	1	\$1.05	\$2.68	
G1 — G2	FRMASMB6987	LANYARD,NYLON COATED WIRE ROPE,NATURAL RUBBER,LOOP END,LOOP W/TAB,6"LONG,C-1056-027	1	\$4.2	\$10.71	
G1	DWR1056B027	LANYARD TAB,B-1056-027	1	\$4.2	\$10.71	
G2	LANWIRE1002	LANYARD WIRE,5.5"L,W/LOOPED ENDS	1	\$5.25	\$13.39	

Notes :

*A7 The item is a quantity of one but is illustrated as three parts for assembly purposes.

*B2 The item is a quantity of two but is illustrated as six parts for assembly purposes.

Serial Number J5708006001S10 and subsequent applicable to Quantum 600. Serial Number J7808006001S10 and subsequent applicable to Quantum 600E.



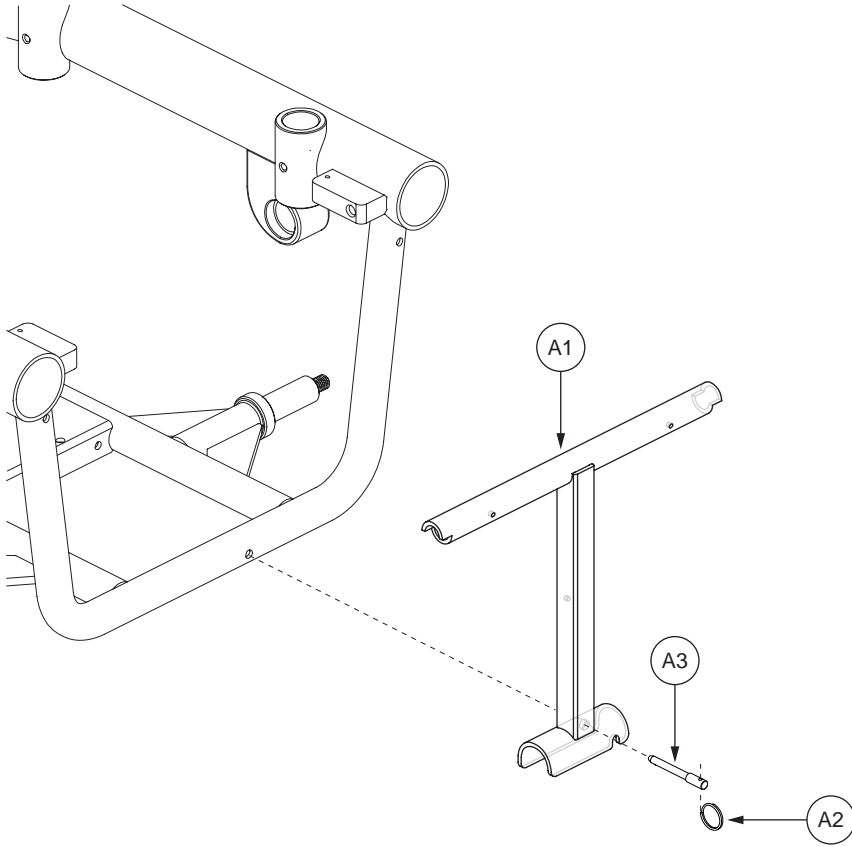
**Note: If an item has no callout, it is being shown for assembly purposes.*

REF #	PART #	DESCRIPTION	QTY	Dealer \$	MSRP	11i
A1 — C6	FRMASMB9617	FOOT PLATFORM,ASSY,W/MOUNTING BRACKET,ATX,JAZZY600/6000,D-1201-004	1	\$48.51	\$123.7	
A1	PROECAP1080	CAP,VINYL,0.50" ID,FITS 0.50" - 0.5625" OD,0.50" H,(MCMaster CARR: 9753K44)	2	\$1.05	\$2.68	
A2	SCRHHCS1363	SCREW,HHCS,BLACK ZINC,M8-1.25 X 60MM,GRADE 10.9	1	\$1.05	\$2.68	
A3	WASWAVY1024	WASHER,BELLEVILLE,SPRING,8.05MM ID X 15.88MM OD X 0.81MM TH,B-1005-099,(MCMaster-CARR: 9712K66)	2	\$1.05	\$2.68	
A4	DWR1056B024	SPACER, STEEL,8.8MM ID X 18MM OD X 25.8MM TH,B-1056-024	1	\$1.05	\$2.68	
A5	NUTNYLK1011	NUT,NYLOCK,BLACK ZINC,M8-1.25	1	\$1.05	\$2.68	
B1 — B2	FRMASMB9632	FOOT PLATFORM MOUNTING BRACKET,ASSY,JAZZY600,C-1056-075	1	\$14.14	\$36.05	
B1	DWR1056C009	FOOT PLATFORM MOUNTING BRACKET,C-1056-009	1	\$9.45	\$24.1	
*B2	DWR1054B025	LEVER,B-1054-025	2	\$2.34	\$5.98	
C1 — C6	FRMASMB9228	FOOT PLATFORM,ASSY,W/RUBBER MAT,ATX,E-1201-005	1	\$45.41	\$115.8	
C1	DWR1201E004	FOOT PLATFORM, TOP COVER,E-1201-004	1	\$11.42	\$29.11	
C2	DWR1201E002	FOOT PLATFORM,BASE WELDMENT,E-1201-002	1	\$25.3	\$64.52	
C3	DWR1201E003	FOOT PLATFORM,BOTTOM COVER,E-1201-003	1	\$5.77	\$14.72	
C4	SCRPPH1044	SCREW,PPH,BLACK ZINC,M4-.7 X 12MM	12	\$1.05	\$2.68	
C5	SCRHHCS1417	SCREW, HHCS,BLACK ZINC,M10-1.5 X 30MM	1	\$1.05	\$2.68	
C6	BRGFLNG1060	BEARING,FLANGE,BLACK,DELFIN,8.25MM ID X 13.13MM OD X 7MM TH X 24MM FOD X 2MM FTH,SELF TAP,C-1005-025	2	\$1.05	\$2.68	
D1 — F2	FRMASMB7763	FRAME,ASSY,BATTERY ACCESS BRACKET,STANDARD,JAZZY/QUANTUM600	1	\$37.8	\$96.39	
D1	DWR1056D004	FOOT PLATFORM UPRIGHT TUBE WELDMENT,D-1056-004	1	N/A	N/A	
E1 — F2	FRMASMB6986	FOOTREST PIN & LANYARD,ASSY,JAZZY600,C-1056-028	1	\$6.3	\$16.07	
E1	DWR1133B045	QUICK RELEASE PIN,SHOULDER STYLE-SELF LOCKING,6MM X 38.10MM GRIP LENGTH,B-1133-045	1	\$1.05	\$2.68	
E2	DWR1133B044	RING,0.94"OD X 0.61" WIRE DIA, 1-3/4 TURNS,B-1133-044	1	\$1.05	\$2.68	
F1 — F2	FRMASMB6987	LANYARD,NYLON COATED WIRE ROPE,NATURAL RUBBER,LOOP END,LOOP W/TAB,6"LONG,C-1056-027	1	\$4.2	\$10.71	
F1	DWR1056B027	LANYARD TAB,B-1056-027	1	\$4.2	\$10.71	
F2	LANWIRE1002	LANYARD WIRE,5.5"L,W/LOOPED ENDS	1	\$5.25	\$13.39	

Notes :

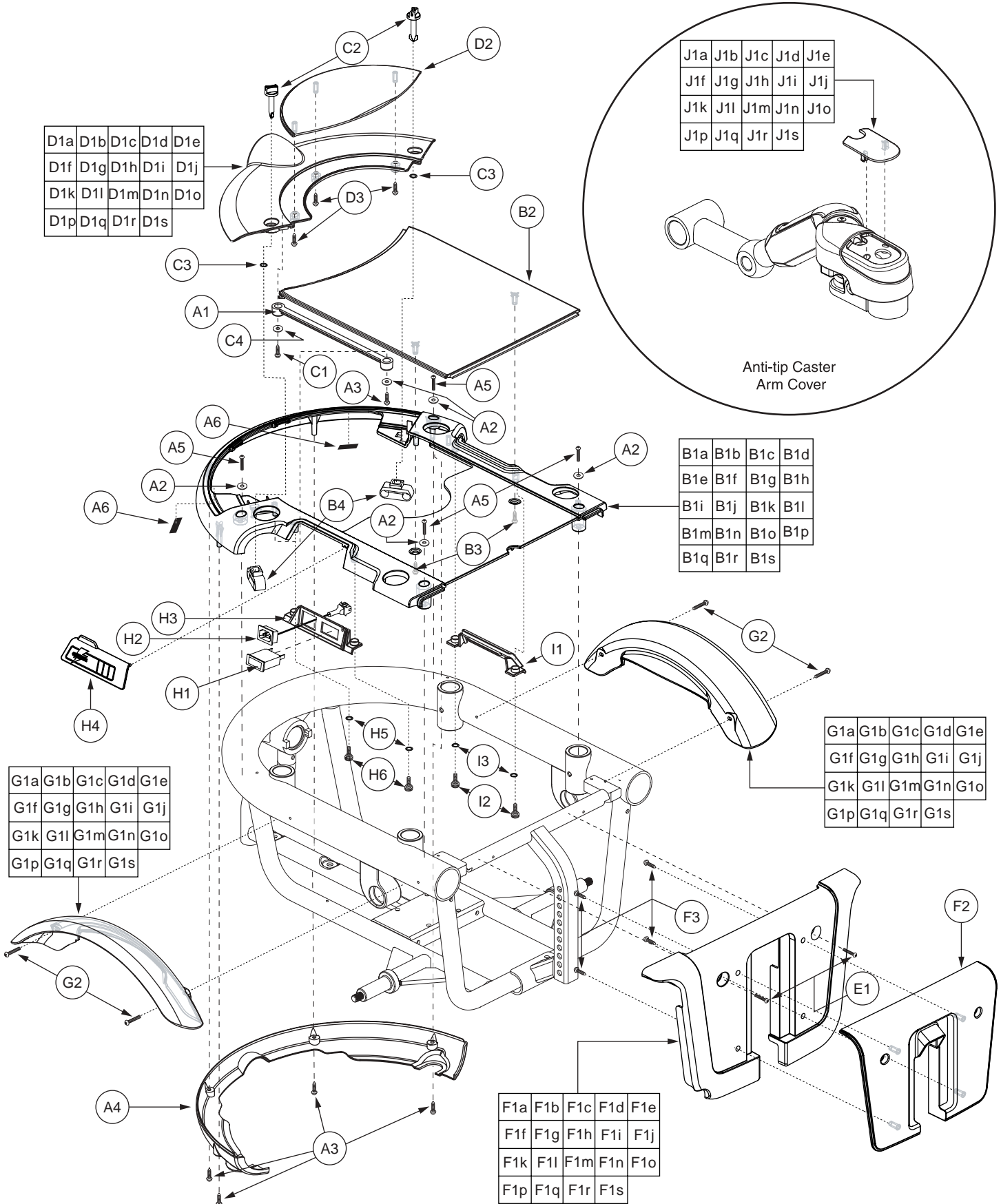
Serial Number J5708006001S10 and subsequent applicable to Quantum 600. Serial Number J7808006001S10 and subsequent applicable to Quantum 600E.

*B2 The item is a quantity of two but is illustrated as six parts for assembly purposes.



**Note: If an item has no callout, it is being shown for assembly purposes.*

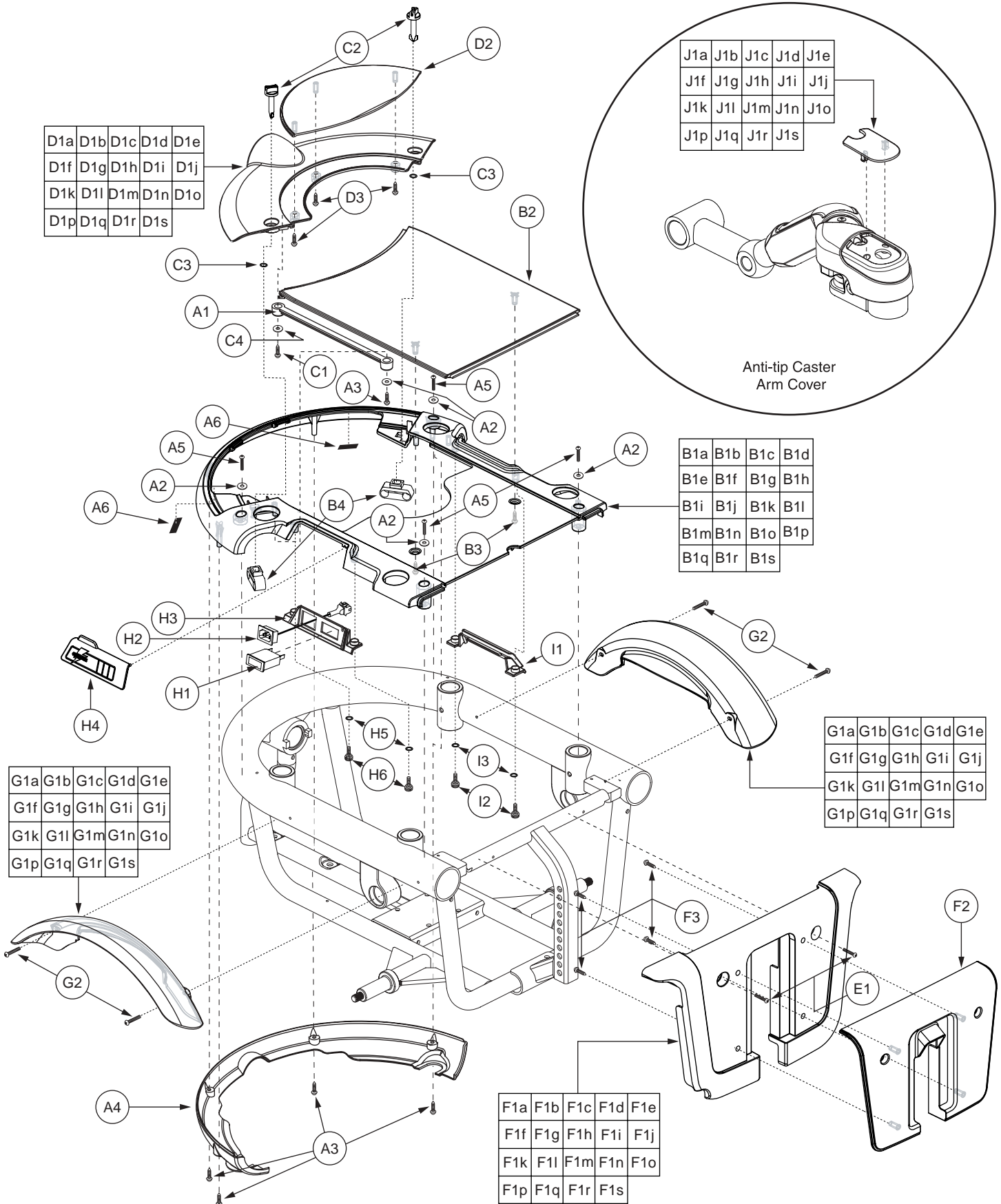
REF #	PART #	DESCRIPTION	QTY	Dealer \$	MSRP	11i
A1 — A3	FRMASMB11181	FRAME,ASSY,BATTERY ACCESS BRACKET,ARTICULATING FOOT PLATFORM,JAZZY/QUANTUM600	1	\$36.09	\$92.03	
A1	DWR1056D037	FRAME,FRONT DOOR UPRIGHT TUBE WELDMENT,D-1056-037	1	\$33.99	\$86.69	
A2	DWR1133B044	RING,0.94"OD X 0.61" WIRE DIA, 1-3/4 TURNS,B-1133-044	1	\$1.05	\$2.68	
A3	DWR1133B045	QUICK RELEASE PIN,SHOULDER STYLE-SELF LOCKING,6MM X 38.10MM GRIP LENGTH,B-1133-045	1	\$1.05	\$2.68	



**Note: If an item has no callout, it is being shown for assembly purposes.*

REF #	PART #	DESCRIPTION	QTY	Dealer \$	MSRP	11i
A1 — J1a	SHDASMB4398	SHROUD,ASSY,RED,ONBOARD CHARGER,JAZZY600/QUANTUM600	1	\$169.05	\$431.08	
A1 — J1b	SHDASMB4399	SHROUD,ASSY,VIPER BLUE,ONBOARD CHARGER,JAZZY600/QUANTUM600	1	\$169.05	\$431.08	
A1 — J1c	SHDASMB4400	SHROUD,ASSY,BLACK,ONBOARD CHARGER,JAZZY600/QUANTUM600	1	\$169.05	\$431.08	
A1 — J1d	SHDASMB4401	SHROUD,ASSY,CHAMPAGNE,ONBOARD CHARGER,JAZZY600/QUANTUM600	1	\$169.05	\$431.08	
A1 — J1e	SHDASMB4498	SHROUD,ASSY,ORANGE,ONBOARD CHARGER,JAZZY600/QUANTUM600	1	\$169.05	\$431.08	
A1 — J1f	SHDASMB4890	SHROUD,ASSY,SOLAR YELLOW,ONBOARD CHARGER,QUANTUM600	1	\$40.72	\$103.84	
A1 — J1g	SHDASMB4902	SHROUD,ASSY,CARDINAL RED,ONBOARD CHARGER,QUANTUM600	1	\$40.72	\$103.84	
A1 — J1h	SHDASMB4914	SHROUD,ASSY,VIOLET,ONBOARD CHARGER,QUANTUM600	1	\$40.72	\$103.84	
A1 — J1i	SHDASMB4926	SHROUD,ASSY,MARINER BLUE,ONBOARD CHARGER,QUANTUM600	1	\$40.72	\$103.84	
A1 — J1j	SHDASMB4938	SHROUD,ASSY,SPRING GREEN,ONBOARD CHARGER,QUANTUM600	1	\$40.72	\$103.84	
A1 — J1k	SHDASMB4950	SHROUD,ASSY,PEARL PINK,ONBOARD CHARGER,QUANTUM600	1	\$40.72	\$103.84	
A1 — J1l	SHDASMB4423	SHROUD,ASSY,CUSTOM COLOR,ONBOARD CHARGER,JAZZY600/QUANTUM600	1	N/A	N/A	
A1 — J1m	SHDASMB5194	SHROUD,ASSY,TANGERINE,ONBOARD CHARGER,JAZZY600/QUANTUM600	1	\$40.75	\$103.91	
A1 — J1n	SHDASMB5195	SHROUD,ASSY,KELLY GREEN,ONBOARD CHARGER,JAZZY600/QUANTUM600	1	\$40.75	\$103.91	
A1 — J1o	SHDASMB5196	SHROUD,ASSY,PEWTER,ONBOARD CHARGER,JAZZY600/QUANTUM600	1	\$40.74	\$103.88	
A1 — J1p	SHDASMB5197	SHROUD,ASSY,EMERALD GREEN,ONBOARD CHARGER,JAZZY600/QUANTUM600	1	\$40.75	\$103.91	
A1 — J1q	SHDASMB5198	SHROUD,ASSY,GRAPHITE BLUE,ONBOARD CHARGER,JAZZY600/QUANTUM600	1	\$40.75	\$103.91	
A1 — J1r	SHDASMB5199	SHROUD,ASSY,SAPPHIRE BLUE,ONBOARD CHARGER,JAZZY600/QUANTUM600	1	\$40.75	\$103.91	
A1 — J1s	SHDASMB5200	SHROUD,ASSY,SILVER,ONBOARD CHARGER,JAZZY600/QUANTUM600	1	\$54.63	\$139.32	
A1	DWR1054C019	LANYARD,NATURAL RUBBER,6",C-1054-019	1	\$1.05	\$2.68	
A2	WASMETR1042	WASHER,FLAT,BLACK ZINC,4.3MM ID X 12MM OD X 1MM TH,METRIC,GB96-4	5	\$1.05	\$2.68	
A3	SCRPPSM1029	SCREW, PPH - SHEET METAL,BLACK ZINC,M4 X 10MM	5	\$1.05	\$2.68	
A4	DWR1056E011	SHROUD,TUBE COVER,E-1056-011	1	\$2.1	\$5.36	
A5	SCRPPH1163	SCREW,PPH,BLACK ZINC,M4-.7 X 10MM	4	\$1.05	\$2.68	
A6	VELLOOP1024	REUSABLE FASTENER,0.75"W X 1.00"L,LOOP W/ADHESIVE BACK	2	\$1.05	\$2.68	
B1a — B4	SHDASMB4129	SHROUD,ASSY,RED,JAZZY600,MAIN W/CENTER COVER,E-1056-023	1	\$34.65	\$88.36	
B1a	SHDPNTD2465	SHROUD,PAINTED,RED,JAZZY600,MAIN,E-1056-014	1	N/A	N/A	
B1b — B4	SHDASMB4130	SHROUD,ASSY,VIPER BLUE,JAZZY600,MAIN W/CENTER COVER,E-1056-023	1	\$34.65	\$88.36	
B1b	SHDPNTD2469	SHROUD,PAINTED,VIPER BLUE,JAZZY600,MAIN,E-1056-014	1	N/A	N/A	
B1c — B4	SHDASMB4263	SHROUD,ASSY,BLACK,JAZZY600,MAIN W/CENTER COVER,E-1056-023	1	\$34.65	\$88.36	
B1c	SHDPNTD2557	SHROUD,PAINTED,BLACK,JAZZY600,MAIN,E-1056-014	1	N/A	N/A	
B1d — B4	SHDASMB4270	SHROUD,ASSY,CHAMPAGNE,JAZZY600,MAIN W/CENTER COVER,E-1056-023	1	\$34.65	\$88.36	
B1d	SHDPNTD2561	SHROUD,PAINTED,CHAMPAGNE,JAZZY600,MAIN,E-1056-014	1	N/A	N/A	
B1e — B4	SHDASMB4486	SHROUD,ASSY,ORANGE,JAZZY600,MAIN W/CENTER COVER,E-1056-023	1	\$34.65	\$88.36	
B1e	SHDPNTD2674	SHROUD,PAINTED,ORANGE,JAZZY600,MAIN,E-1056-014	1	N/A	N/A	
B1f — B4	SHDASMB4891	SHROUD,ASSY,SOLAR YELLOW,QUANTUM600,MAIN W/CENTER COVER,E-1056-023	1	\$30.79	\$78.53	
B1f	SHDPNTD2941	SHROUD,PAINTED,SOLAR YELLOW,QUANTUM600,MAIN,E-1056-014	1	N/A	N/A	

The parts list is continued on the subsequent pages.

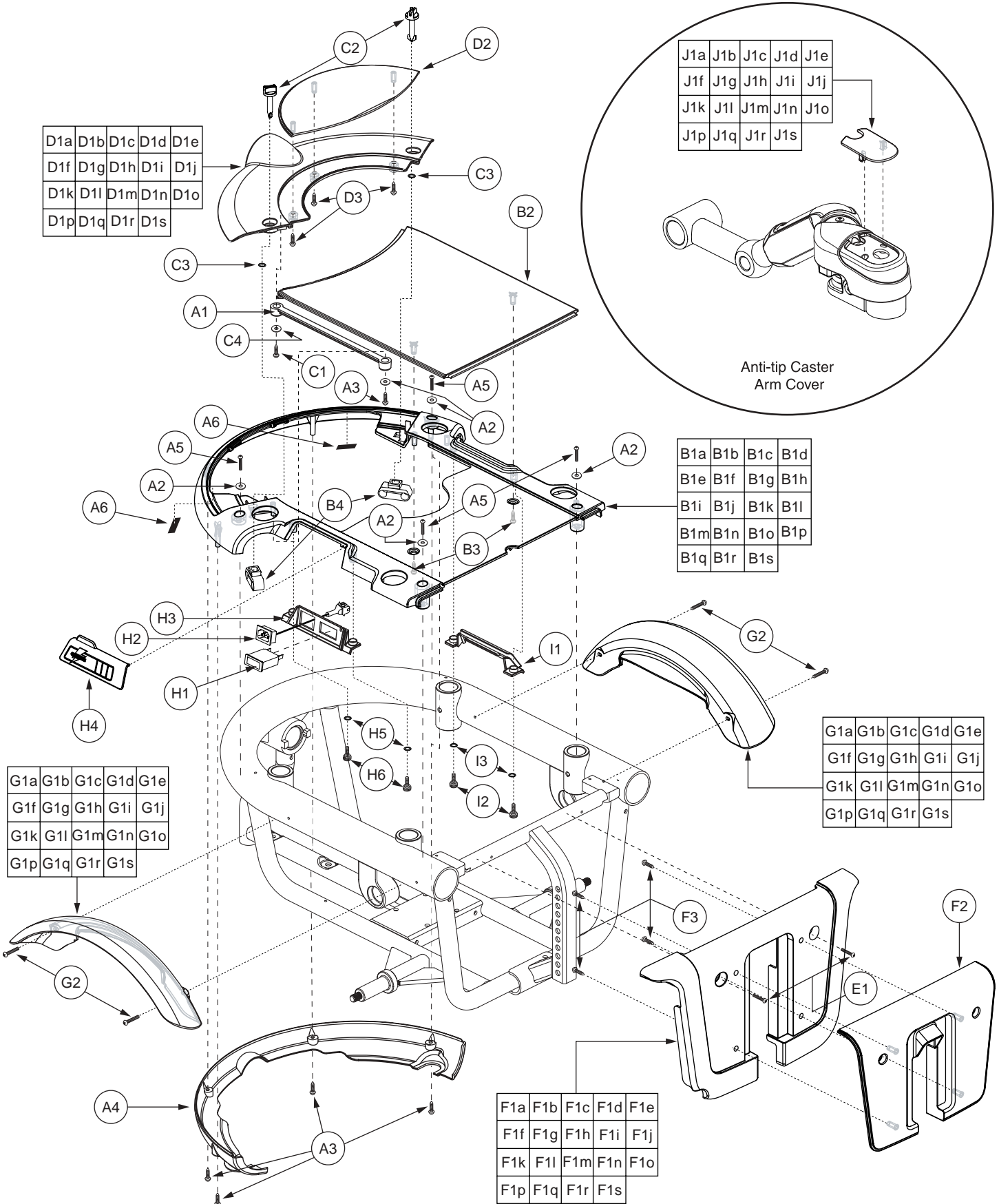


*Note: If an item has no callout, it is being shown for assembly purposes.

The parts list is continued from the previous pages.

REF #	PART #	DESCRIPTION	QTY	Dealer \$	MSRP	11i
B1g — B4	SHDASMB4903	SHROUD,ASSY,CARDINAL RED,QUANTUM600,MAIN W/CENTER COVER,E-1056-023	1	\$30.79	\$78.53	
B1g	SHDPNTD2949	SHROUD,PAINTED,CARDINAL RED,QUANTUM600,MAIN,E-1056-014	1	N/A	N/A	
B1h — B4	SHDASMB4915	SHROUD,ASSY,VIOLET,QUANTUM600,MAIN W/CENTER COVER,E-1056-023	1	\$30.79	\$78.53	
B1h	SHDPNTD2957	SHROUD,PAINTED,VIOLET,MAIN,E-1056-014	1	N/A	N/A	
B1i — B4	SHDASMB4927	SHROUD,ASSY,MARINER BLUE,QUANTUM600,MAIN W/CENTER COVER,E-1056-023	1	\$30.79	\$78.53	
B1i	SHDPNTD2965	SHROUD,PAINTED,MARINER BLUE,QUANTUM600,MAIN,E-1056-014	1	N/A	N/A	
B1j — B4	SHDASMB4939	SHROUD,ASSY,SPRING GREEN,QUANTUM600,MAIN W/CENTER COVER,E-1056-023	1	\$30.79	\$78.53	
B1j	SHDPNTD2973	SHROUD,PAINTED,SPRING GREEN,QUANTUM600,MAIN,E-1056-014	1	N/A	N/A	
B1k — B4	SHDASMB4951	SHROUD,ASSY,PEARL PINK,QUANTUM600,MAIN W/CENTER COVER,E-1056-023	1	\$30.79	\$78.53	
B1k	SHDPNTD2981	SHROUD,PAINTED,PEARL PINK,QUANTUM600,MAIN,E-1056-014	1	N/A	N/A	
B1l — B4	SHDASMB4424	SHROUD,ASSY,CUSTOM COLOR,JAZZY600,MAIN W/CENTER COVER	1	N/A	N/A	
B1l	SHDPNTD2641	SHROUD,PAINTED,CUSTOM,JAZZY600,MAIN,E-1056-014	1	N/A	N/A	
B1m — B4	SHDASMB5153	SHROUD,ASSY,TANGERINE,JAZZY600,MAIN W/CENTER COVER,E-1056-023	1	\$30.79	\$78.51	
B1m	SHDPNTD3064	SHROUD,PAINTED,TANGERINE,JAZZY600,MAIN,E-1056-014	1	N/A	N/A	
B1n — B4	SHDASMB5160	SHROUD,ASSY,KELLY GREEN,JAZZY600,MAIN W/CENTER COVER,E-1056-023	1	\$30.79	\$78.51	
B1n	SHDPNTD3069	SHROUD,PAINTED,KELLY GREEN,JAZZY600,MAIN,E-1056-014	1	N/A	N/A	
B1o — B4	SHDASMB5167	SHROUD,ASSY,PEWTER,JAZZY600,MAIN W/CENTER COVER,E-1056-023	1	\$30.79	\$78.51	
B1o	SHDPNTD3074	SHROUD,PAINTED,PEWTER,JAZZY600,MAIN,E-1056-014	1	N/A	N/A	
B1p — B4	SHDASMB5174	SHROUD,ASSY,EMERALD GREEN,JAZZY600,MAIN W/CENTER COVER,E-1056-023	1	\$30.79	\$78.51	
B1p	SHDPNTD3079	SHROUD,PAINTED,EMERALD GREEN,JAZZY600,MAIN,E-1056-014	1	N/A	N/A	
B1q — B4	SHDASMB5181	SHROUD,ASSY,GRAPHITE BLUE,JAZZY600,MAIN W/CENTER COVER,E-1056-023	1	\$30.79	\$78.51	
B1q	SHDPNTD3084	SHROUD,PAINTED,GRAPHITE BLUE,JAZZY600,MAIN,E-1056-014	1	N/A	N/A	
B1r — B4	SHDASMB5188	SHROUD,ASSY,SAPPHIRE BLUE,JAZZY600,MAIN W/CENTER COVER,E-1056-023	1	\$30.79	\$78.51	
B1r	SHDPNTD3089	SHROUD,PAINTED,SAPPHIRE BLUE,JAZZY600,MAIN,E-1056-014	1	N/A	N/A	
B1s — B4	SHDASMB4760	SHROUD,ASSY,SILVER,JAZZY600,MAIN W/CENTER COVER,E-1056-023	1	\$30.79	\$78.51	
B1s	SHDPNTD2868	SHROUD,PAINTED,SILVER,JAZZY600,MAIN,E-1056-014	1	N/A	N/A	
B2	DWR1056E017	SHROUD,CENTER,BLACK,E-1056-017	1	\$3.15	\$8.03	
B3	SCRPPSM1029	SCREW, PPH - SHEET METAL, BLACK ZINC, M4 X 10MM	2	\$1.05	\$2.68	
B4	CLISTL1012	CLIP, SNAP-IN, 0.228"D	2	\$1.05	\$2.68	
C1 — D3	SHDASMB4082	SHROUD,ASSY,RED,JAZZY600,REAR DOOR	1	\$14.7	\$37.49	
C1 — D3	SHDASMB4086	SHROUD,ASSY,VIPER BLUE,JAZZY600,REAR DOOR	1	\$14.7	\$37.49	
C1 — D3	SHDASMB4264	SHROUD,ASSY,BLACK,JAZZY600,REAR DOOR	1	\$14.7	\$37.49	
C1 — D3	SHDASMB4271	SHROUD,ASSY,CHAMPAGNE,JAZZY600,REAR DOOR	1	\$14.7	\$37.49	
C1 — D3	SHDASMB4487	SHROUD,ASSY,ORANGE,JAZZY600,REAR DOOR	1	\$14.7	\$37.49	
C1 — D3	SHDASMB4892	SHROUD,ASSY,SOLAR YELLOW,QUANTUM600,REAR DOOR	1	\$10.56	\$26.92	
C1 — D3	SHDASMB4904	SHROUD,ASSY,CARDINAL RED,QUANTUM600,REAR DOOR	1	\$10.56	\$26.92	
C1 — D3	SHDASMB4916	SHROUD,ASSY,VIOLET,QUANTUM600,REAR DOOR	1	\$10.56	\$26.92	
C1 — D3	SHDASMB4928	SHROUD,ASSY,MARINER BLUE,QUANTUM600,REAR DOOR	1	\$10.56	\$26.92	
C1 — D3	SHDASMB4940	SHROUD,ASSY,SPRING GREEN,QUANTUM600,REAR DOOR	1	\$10.56	\$26.92	
C1 — D3	SHDASMB4952	SHROUD,ASSY,PEARL PINK,QUANTUM600,REAR DOOR	1	\$10.56	\$26.92	

The parts list is continued on the subsequent pages.

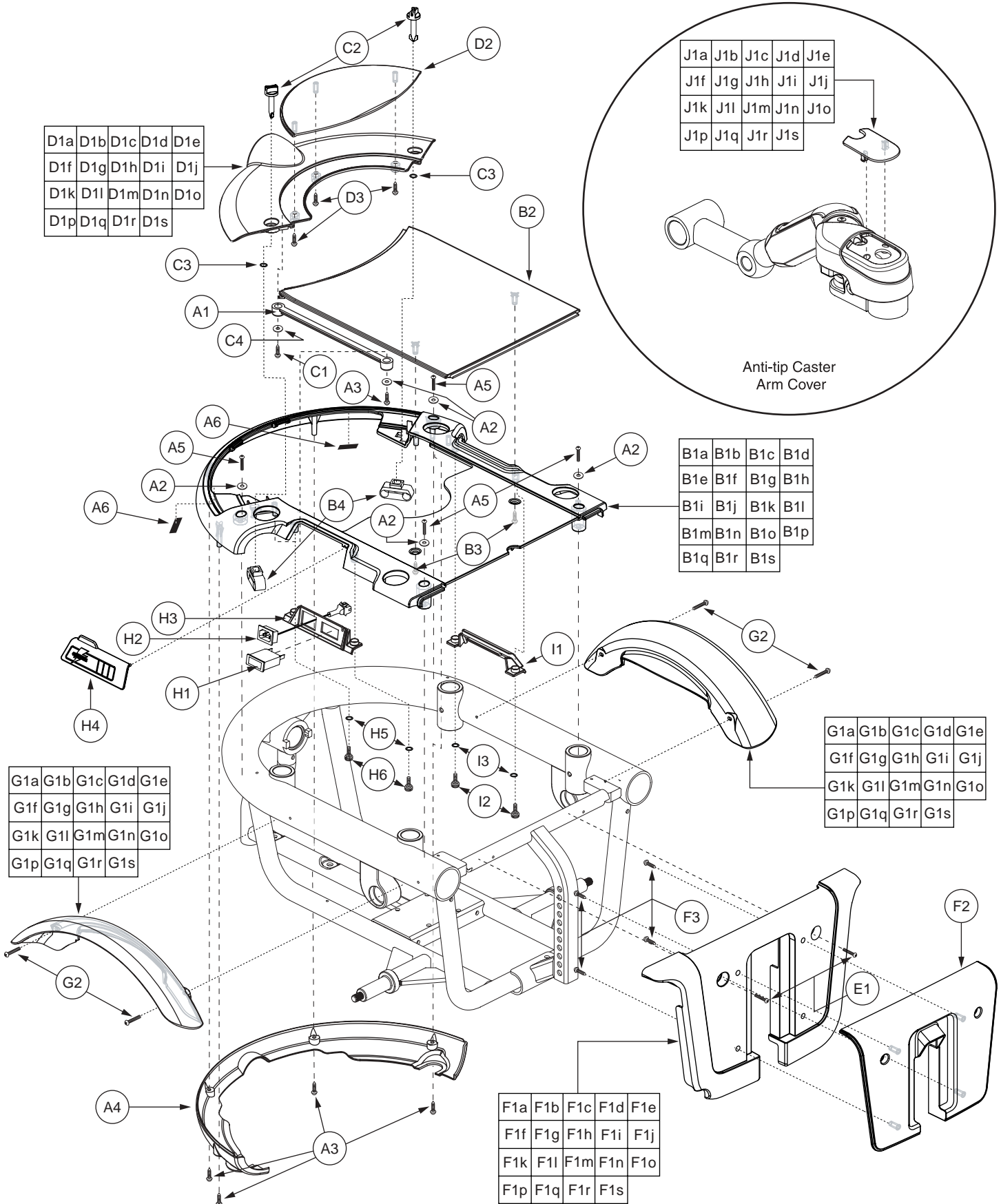


**Note: If an item has no callout, it is being shown for assembly purposes.*

The parts list is continued from the previous pages.

REF #	PART #	DESCRIPTION	QTY	Dealer \$	MSRP	11i
C1 — D3	SHDASMB4425	SHROUD,ASSY,CUSTOM,JAZZY600,REAR DOOR	1	N/A	N/A	
C1 — D3	SHDASMB5154	SHROUD,ASSY,TANGERINE,JAZZY600,REAR DOOR	1	\$10.56	\$26.93	
C1 — D3	SHDASMB5161	SHROUD,ASSY,KELLY GREEN,JAZZY600,REAR DOOR	1	\$10.56	\$26.93	
C1 — D3	SHDASMB5168	SHROUD,ASSY,PEWTER,JAZZY600,REAR DOOR	1	\$10.56	\$26.93	
C1 — D3	SHDASMB5175	SHROUD,ASSY,EMERALD GREEN,JAZZY600,REAR DOOR	1	\$10.56	\$26.93	
C1 — D3	SHDASMB5182	SHROUD,ASSY,GRAPHITE BLUE,JAZZY600,REAR DOOR	1	\$10.56	\$26.93	
C1 — D3	SHDASMB5189	SHROUD,ASSY,SAPPHIRE BLUE,JAZZY600,REAR DOOR	1	\$10.56	\$26.93	
C1 — D3	SHDASMB4761	SHROUD,ASSY,SILVER,JAZZY600,REAR DOOR	1	\$10.56	\$26.93	
C1	SCRPPSM1029	SCREW, PPH - SHEET METAL,BLACK ZINC,M4 X 10MM	1	\$1.05	\$2.68	
C2	CLISTL1013	CLIP,STUD,1"L,STRAIGHT	2	\$1.05	\$2.68	
C3	HWDINDV1000	O RING,BLACK,NEOPRENE,4.2MM ID X 9.0MM OD X 1.90MM TH	2	\$1.05	\$2.68	
C4	WASMETR1042	WASHER,FLAT,BLACK ZINC,4.3MM ID X 12MM OD X 1MM TH,METRIC,GB96-4	1	\$1.05	\$2.68	
D1a — D3	SHDASMB4131	SHROUD,ASSY,RED,JAZZY600,REAR DOOR,E-1056-024	1	\$14.7	\$37.49	
D1a	SHDPNTD2466	SHROUD,PAINTED,RED,JAZZY600,REAR DOOR,E-1056-012	1	N/A	N/A	
D1b — D3	SHDASMB4132	SHROUD,ASSY,VIPER BLUE,JAZZY600,REAR DOOR,E-1056-024	1	\$14.7	\$37.49	
D1b	SHDPNTD2470	SHROUD,PAINTED,VIPER BLUE,JAZZY600,REAR DOOR,E-1056-012	1	N/A	N/A	
D1c — D3	SHDASMB4265	SHROUD,ASSY,BLACK,JAZZY600,REAR DOOR,E-1056-024	1	\$14.7	\$37.49	
D1c	SHDPNTD2558	SHROUD,PAINTED,BLACK,JAZZY600,REAR DOOR,E-1056-012	1	N/A	N/A	
D1d — D3	SHDASMB4272	SHROUD,ASSY,CHAMPAGNE,JAZZY600,REAR DOOR,E-1056-024	1	\$14.7	\$37.49	
D1d	SHDPNTD2562	SHROUD,PAINTED,CHAMPAGNE,JAZZY600,REAR DOOR,E-1056-012	1	N/A	N/A	
D1e — D3	SHDASMB4488	SHROUD,ASSY,ORANGE,JAZZY600,REAR DOOR,E-1056-024	1	\$14.7	\$37.49	
D1e	SHDPNTD2675	SHROUD,PAINTED,ORANGE,JAZZY600,REAR DOOR	1	N/A	N/A	
D1f — D3	SHDASMB4893	SHROUD,ASSY,SOLAR YELLOW,QUANTUM600,REAR DOOR,E-1056-024	1	\$12.32	\$31.42	
D1f	SHDPNTD2942	SHROUD,PAINTED,SOLAR YELLOW,QUANTUM600,REAR DOOR,E-1056-012	1	N/A	N/A	
D1g — D3	SHDASMB4905	SHROUD,ASSY,CARDINAL RED,QUANTUM600,REAR DOOR,E-1056-024	1	\$12.32	\$31.42	
D1g	SHDPNTD2950	SHROUD,PAINTED,CARDINAL RED,QUANTUM600,REAR DOOR,E-1056-012	1	N/A	N/A	
D1h — D3	SHDASMB4917	SHROUD,ASSY,VIOLET,QUANTUM600,REAR DOOR,E-1056-024	1	\$12.32	\$31.42	
D1h	SHDPNTD2958	SHROUD,PAINTED,VIOLET,QUANTUM600,REAR DOOR,E-1056-012	1	N/A	N/A	
D1i — D3	SHDASMB4929	SHROUD,ASSY,MARINER BLUE,QUANTUM600,REAR DOOR,E-1056-024	1	\$12.32	\$31.42	
D1i	SHDPNTD2966	SHROUD,PAINTED,MARINER BLUE,QUANTUM600,REAR DOOR,E-1056-012	1	N/A	N/A	
D1j — D3	SHDASMB4941	SHROUD,ASSY,SPRING GREEN,QUANTUM600,REAR DOOR,E-1056-024	1	\$12.32	\$31.42	
D1j	SHDPNTD2974	SHROUD,PAINTED,SPRING GREEN,QUANTUM600,REAR DOOR,E-1056-012	1	N/A	N/A	
D1k — D3	SHDASMB4953	SHROUD,ASSY,PEARL PINK,QUANTUM600,REAR DOOR,E-1056-024	1	\$12.32	\$31.42	
D1k	SHDPNTD2982	SHROUD,PAINTED,PEARL PINK,QUANTUM600,REAR DOOR,E-1056-012	1	N/A	N/A	
D1l — D3	SHDASMB4426	SHROUD,ASSY,CUSTOM,JAZZY600,REAR DOOR,E-1056-024	1	N/A	N/A	
D1l	SHDPNTD2642	SHROUD,PAINTED,CUSTOM,JAZZY600,REAR DOOR,E-1056-012	1	N/A	N/A	
D1m — D3	SHDASMB5155	SHROUD,ASSY,TANGERINE,JAZZY600,REAR DOOR,E-1056-024	1	\$12.32	\$31.42	
D1m	SHDPNTD3065	SHROUD,PAINTED,TANGERINE,JAZZY600,REAR DOOR,E-1056-012	1	N/A	N/A	
D1n — D3	SHDASMB5162	SHROUD,ASSY,KELLY GREEN,JAZZY600,REAR DOOR,E-1056-024	1	\$12.32	\$31.42	
D1n	SHDPNTD3070	SHROUD,PAINTED,KELLY GREEN,JAZZY600,REAR DOOR,E-1056-012	1	N/A	N/A	
D1o — D3	SHDASMB5169	SHROUD,ASSY,PEWTER,JAZZY600,REAR DOOR,E-1056-024	1	\$12.32	\$31.42	

The parts list is continued on the subsequent pages.

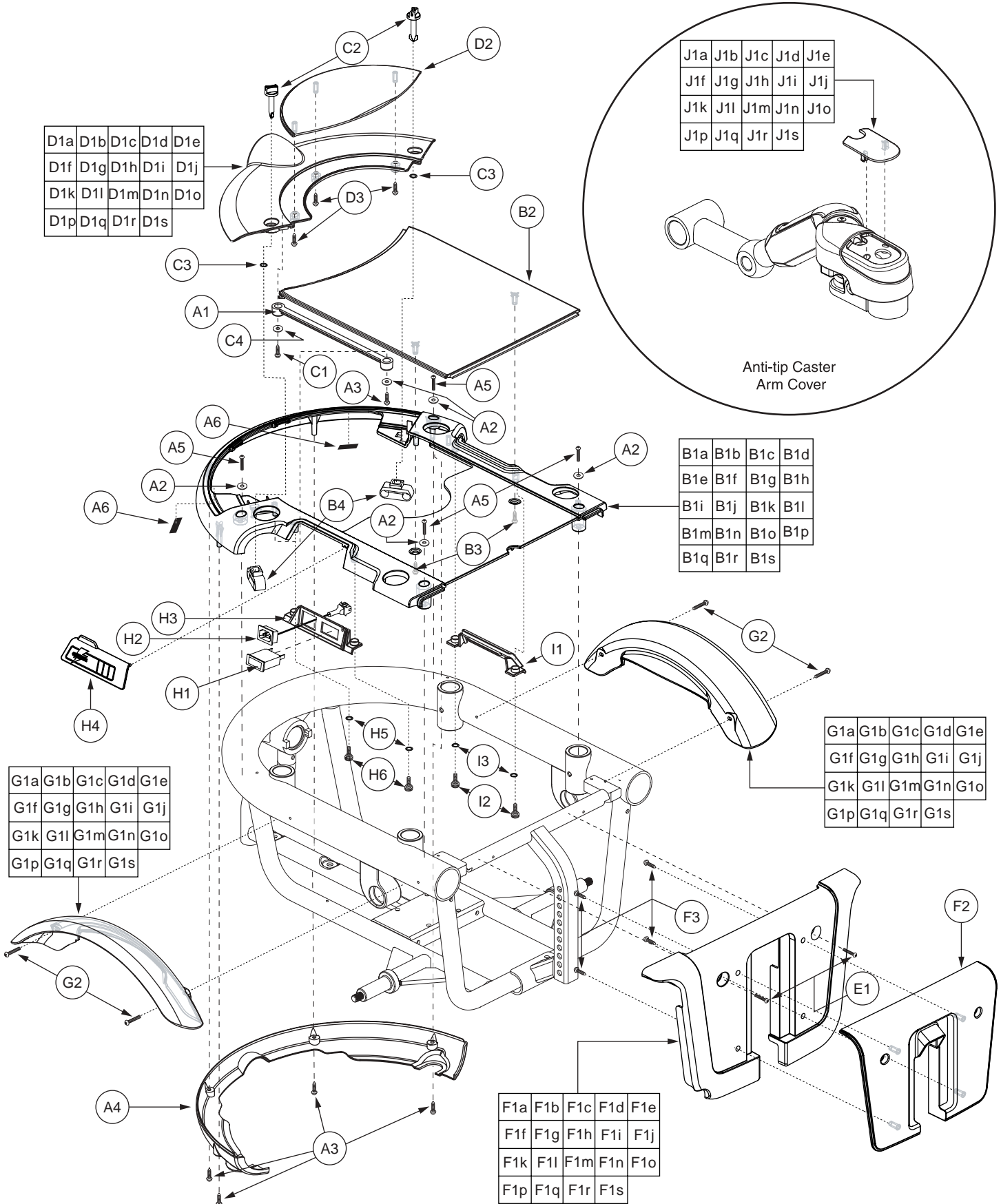


**Note: If an item has no callout, it is being shown for assembly purposes.*

The parts list is continued from the previous pages.

REF #	PART #	DESCRIPTION	QTY	Dealer \$	MSRP	11i
D1o	SHDPNTD3075	SHROUD,PAINTED,PEWTER,JAZZY600,REAR DOOR,E-1056-012	1	N/A	N/A	
D1p — D3	SHDASMB5176	SHROUD,ASSY,EMERALD GREEN,JAZZY600,REAR DOOR,E-1056-024	1	\$12.32	\$31.42	
D1p	SHDPNTD3080	SHROUD,PAINTED,EMERALD GREEN,JAZZY600,REAR DOOR,E-1056-012	1	N/A	N/A	
D1q — D3	SHDASMB5183	SHROUD,ASSY,GRAPHITE BLUE,JAZZY600,REAR DOOR,E-1056-024	1	\$12.32	\$31.42	
D1q	SHDPNTD3085	SHROUD,PAINTED,GRAPHITE BLUE,JAZZY600,REAR DOOR,E-1056-012	1	N/A	N/A	
D1r — D3	SHDASMB5190	SHROUD,ASSY,SAPPHIRE BLUE,JAZZY600,REAR DOOR,E-1056-024	1	\$12.39	\$31.59	
D1r	SHDPNTD3090	SHROUD,PAINTED,SAPPHIRE BLUE,JAZZY600,REAR DOOR,E-1056-012	1	N/A	N/A	
D1s — D3	SHDASMB4762	SHROUD,ASSY,SILVER,JAZZY600,REAR DOOR,E-1056-024	1	\$12.39	\$31.59	
D1s	SHDPNTD2869	SHROUD,PAINTED,SILVER,JAZZY600,REAR DOOR,E-1056-012	1	N/A	N/A	
D2	DWR1056E013	SHROUD,REAR DOOR,BLACK,E-1056-013	1	\$1.05	\$2.68	
D3	SCRPPSM1029	SCREW, PPH - SHEET METAL, BLACK ZINC, M4 X 10MM	3	\$1.05	\$2.68	
E1 — F3	SHDASMB4083	SHROUD,ASSY,RED,JAZZY600,FOOTREST	1	\$18.9	\$48.2	
E1 — F3	SHDASMB4087	SHROUD,ASSY,VIPER BLUE,JAZZY600,FOOTREST	1	\$18.9	\$48.2	
E1 — F3	SHDASMB4266	SHROUD,ASSY,BLACK,JAZZY600,FOOTREST	1	\$18.9	\$48.2	
E1 — F3	SHDASMB4273	SHROUD,ASSY,CHAMPAGNE,JAZZY600,FOOTREST	1	\$18.9	\$48.2	
E1 — F3	SHDASMB4489	SHROUD,ASSY,ORANGE,JAZZY600,FOOTREST	1	\$18.9	\$48.2	
E1 — F3	SHDASMB4894	SHROUD,ASSY,SOLAR YELLOW,QUANTUM600,FOOTREST	1	\$16.28	\$41.51	
E1 — F3	SHDASMB4906	SHROUD,ASSY,CARDINAL RED,QUANTUM600,FOOTREST	1	\$16.28	\$41.51	
E1 — F3	SHDASMB4918	SHROUD,ASSY,VIOLET,QUANTUM600,FOOTREST	1	\$16.28	\$41.51	
E1 — F3	SHDASMB4930	SHROUD,ASSY,MARINER BLUE,QUANTUM600,FOOTREST	1	\$16.28	\$41.51	
E1 — F3	SHDASMB4942	SHROUD,ASSY,SPRING GREEN,QUANTUM600,FOOTREST	1	\$16.28	\$41.51	
E1 — F3	SHDASMB4954	SHROUD,ASSY,PEARL PINK,QUANTUM600,FOOTREST	1	\$16.28	\$41.51	
E1 — F3	SHDASMB4427	SHROUD,ASSY,CUSTOM,JAZZY600,FOOTREST	1	N/A	N/A	
E1 — F3	SHDASMB5156	SHROUD,ASSY,TANGERINE,JAZZY600,FOOTREST	1	\$18.9	\$48.2	
E1 — F3	SHDASMB5163	SHROUD,ASSY,KELLY GREEN,JAZZY600,FOOTREST	1	\$18.9	\$48.2	
E1 — F3	SHDASMB5170	SHROUD,ASSY,PEWTER,JAZZY600,FOOTREST	1	\$18.9	\$48.2	
E1 — F3	SHDASMB5177	SHROUD,ASSY,EMERALD GREEN,JAZZY600,FOOTREST	1	\$18.9	\$48.2	
E1 — F3	SHDASMB5184	SHROUD,ASSY,GRAPHITE BLUE,JAZZY600,FOOTREST	1	\$18.9	\$48.2	
E1 — F3	SHDASMB5191	SHROUD,ASSY,SAPPHIRE BLUE,JAZZY600,FOOTREST	1	\$18.9	\$48.2	
E1 — F3	SHDASMB4763	SHROUD,ASSY,SILVER,JAZZY600,FOOTREST	1	\$18.9	\$48.2	
E1	SCRPPH1153	SCREW,PPH,BLACK ZINC,M4-.7 X 20MM	2	\$1.05	\$2.68	
F1a — F3	SHDASMB4127	SHROUD,ASSY,RED,JAZZY600,FOOTREST,E-1056-022	1	\$18.9	\$48.2	
F1a	SHDPNTD2467	SHROUD,PAINTED,RED,JAZZY600,FOOTREST,E-1056-016	1	N/A	N/A	
F1b — F3	SHDASMB4128	SHROUD,ASSY,VIPER BLUE,JAZZY600,FOOTREST,E-1056-022	1	\$18.9	\$48.2	
F1b	SHDPNTD2471	SHROUD,PAINTED,VIPER BLUE,JAZZY600,FOOTREST,E-1056-016	1	N/A	N/A	
F1c — F3	SHDASMB4267	SHROUD,ASSY,BLACK,JAZZY600,FOOTREST,E-1056-022	1	\$18.9	\$48.2	
F1c	SHDPNTD2559	SHROUD,PAINTED,BLACK,JAZZY600,FOOTREST,E-1056-016	1	N/A	N/A	
F1d — F3	SHDASMB4274	SHROUD,ASSY,CHAMPAGNE,JAZZY600,FOOTREST,E-1056-022	1	\$18.9	\$48.2	
F1d	SHDPNTD2563	SHROUD,PAINTED,CHAMPAGNE,JAZZY600,FOOTREST,E-1056-016	1	N/A	N/A	
F1e — F3	SHDASMB4490	SHROUD,ASSY,ORANGE,JAZZY600,FOOTREST,E-1056-022	1	\$18.9	\$48.2	
F1e	SHDPNTD2676	SHROUD,PAINTED,ORANGE,JAZZY600,FOOTREST,E-1056-016	1	N/A	N/A	
F1f — F3	SHDASMB4895	SHROUD,ASSY,SOLAR YELLOW,QUANTUM600,FOOTREST,E-1056-022	1	\$16.28	\$41.51	
F1f	SHDPNTD2943	SHROUD,PAINTED,SOLAR YELLOW,QUANTUM600,FOOTREST,E-1056-016	1	N/A	N/A	

The parts list is continued on the subsequent pages.

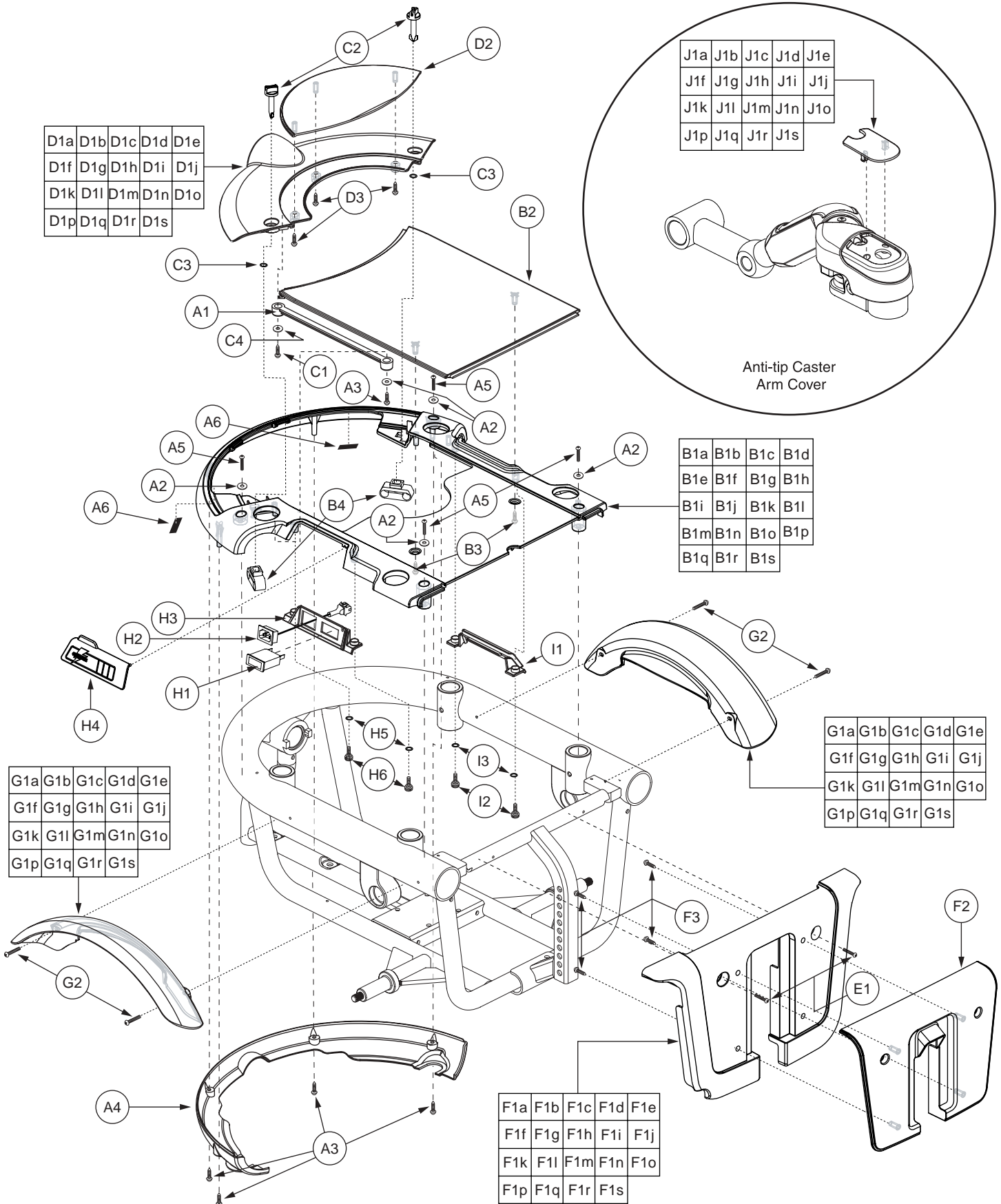


*Note: If an item has no callout, it is being shown for assembly purposes.

The parts list is continued from the previous pages.

REF #	PART #	DESCRIPTION	QTY	Dealer \$	MSRP	11i
F1g — F3	SHDASMB4907	SHROUD,ASSY,CARDINAL RED,QUANTUM600,FOOTREST,E-1056-022	1	\$16.28	\$41.51	
F1g	SHDPNTD2951	SHROUD,PAINTED,CARDINAL RED,QUANTUM600,FOOTREST,E-1056-016	1	N/A	N/A	
F1h — F3	SHDASMB4919	SHROUD,ASSY,VIOLET,QUANTUM600,FOOTREST,E-1056-022	1	\$16.28	\$41.51	
F1h	SHDPNTD2959	SHROUD,PAINTED,VIOLET,QUANTUM600,FOOTREST,E-1056-016	1	N/A	N/A	
F1i — F3	SHDASMB4931	SHROUD,ASSY,MARINER BLUE,QUANTUM600,FOOTREST,E-1056-022	1	\$16.28	\$41.51	
F1i	SHDPNTD2967	SHROUD,PAINTED,MARINER BLUE,QUANTUM600,FOOTREST,E-1056-016	1	N/A	N/A	
F1j — F3	SHDASMB4943	SHROUD,ASSY,SPRING GREEN,QUANTUM600,FOOTREST,E-1056-022	1	\$16.28	\$41.51	
F1j	SHDPNTD2975	SHROUD,PAINTED,SPRING GREEN,QUANTUM600,FOOTREST,E-1056-016	1	N/A	N/A	
F1k — F3	SHDASMB4955	SHROUD,ASSY,PEARL PINK,QUANTUM600,FOOTREST,E-1056-022	1	\$16.28	\$41.51	
F1k	SHDPNTD2983	SHROUD,PAINTED,PEARL PINK,QUANTUM600,FOOTREST,E-1056-016	1	N/A	N/A	
F1l — F3	SHDASMB4428	SHROUD,ASSY,CUSTOM,JAZZY600,FOOTREST,E-1056-022	1	N/A	N/A	
F1l	SHDPNTD2643	SHROUD,PAINTED,CUSTOM,JAZZY600,FOOTREST	1	N/A	N/A	
F1m — F3	SHDASMB5157	SHROUD,ASSY,TANGERINE,JAZZY600,FOOTREST,E-1056-022	1	\$18.9	\$48.2	
F1m	SHDPNTD3066	SHROUD,PAINTED,TANGERINE,JAZZY600,FOOTREST,E-1056-016	1	N/A	N/A	
F1n — F3	SHDASMB5164	SHROUD,ASSY,KELLY GREEN,JAZZY600,FOOTREST,E-1056-022	1	\$18.9	\$48.2	
F1n	SHDPNTD3071	SHROUD,PAINTED,KELLY GREEN,JAZZY600,FOOTREST,E-1056-016	1	N/A	N/A	
F1o — F3	SHDASMB5171	SHROUD,ASSY,PEWTER,JAZZY600,FOOTREST,E-1056-022	1	\$18.9	\$48.2	
F1o	SHDPNTD3076	SHROUD,PAINTED,PEWTER,JAZZY600,FOOTREST,E-1056-016	1	N/A	N/A	
F1p — F3	SHDASMB5178	SHROUD,ASSY,EMERALD GREEN,JAZZY600,FOOTREST,E-1056-022	1	\$18.9	\$48.2	
F1p	SHDPNTD3081	SHROUD,PAINTED,EMERALD GREEN,JAZZY600,FOOTREST,E-1056-016	1	N/A	N/A	
F1q — F3	SHDASMB5185	SHROUD,ASSY,GRAPHITE BLUE,JAZZY600,FOOTREST,E-1056-022	1	\$18.9	\$48.2	
F1q	SHDPNTD3086	SHROUD,PAINTED,GRAPHITE BLUE,JAZZY600,FOOTREST,E-1056-016	1	N/A	N/A	
F1r — F3	SHDASMB5192	SHROUD,ASSY,SAPPHIRE BLUE,JAZZY600,FOOTREST,E-1056-022	1	\$18.9	\$48.2	
F1r	SHDPNTD3091	SHROUD,PAINTED,SAPPHIRE BLUE,JAZZY600,FOOTREST,E-1056-016	1	N/A	N/A	
F1s — F3	SHDASMB4764	SHROUD,ASSY,SILVER,JAZZY600,FOOTREST,E-1056-022	1	\$18.9	\$48.2	
F1s	SHDPNTD2870	SHROUD,PAINTED,SILVER,JAZZY600,FOOTREST,E-1056-016	1	N/A	N/A	
F2	DWR1056E015	SHROUD,FRONT DOOR,BLACK,E-1056-015	1	\$4.2	\$10.71	
F3	SCRPPSM1029	SCREW, PPH - SHEET METAL,BLACK ZINC,M4 X 10MM	4	\$1.05	\$2.68	
G1a — G2	SHDASMB4084	SHROUD,ASSY,RED,JAZZY600,FENDER	2	\$12.6	\$32.13	
G1a	SHDPNTD2468	SHROUD,PAINTED,RED,JAZZY600,FENDER,E-1056-008	1	N/A	N/A	
G1b — G2	SHDASMB4088	SHROUD,ASSY,VIPER BLUE,JAZZY600,FENDER	2	\$12.6	\$32.13	
G1b	SHDPNTD2472	SHROUD,PAINTED,VIPER BLUE,JAZZY600,FENDER,E-1056-008	1	N/A	N/A	
G1c — G2	SHDASMB4268	SHROUD,ASSY,BLACK,JAZZY600,FENDER	2	\$12.6	\$32.13	
G1c	SHDPNTD2560	SHROUD,PAINTED,BLACK,JAZZY600,FENDER,E-1056-008	1	N/A	N/A	
G1d — G2	SHDASMB4275	SHROUD,ASSY,CHAMPAGNE,JAZZY600,FENDER	2	\$12.6	\$32.13	
G1d	SHDPNTD2564	SHROUD,PAINTED,CHAMPAGNE,JAZZY600,FENDER,E-1056-008	1	N/A	N/A	
G1e — G2	SHDASMB4491	SHROUD,ASSY,ORANGE,JAZZY600,FENDER	2	\$12.6	\$32.13	
G1e	SHDPNTD2677	SHROUD,PAINTED,ORANGE,JAZZY600,FENDER,E-1056-008	1	N/A	N/A	
G1f — G2	SHDASMB4896	SHROUD,ASSY,SOLAR YELLOW,QUANTUM600,FENDER	2	\$19.61	\$49.99	
G1f	SHDPNTD2944	SHROUD,PAINTED,SOLAR YELLOW,QUANTUM600,FENDER,E-1056-008	1	N/A	N/A	
G1g — G2	SHDASMB4908	SHROUD,ASSY,CARDINAL RED,QUANTUM600,FENDER	2	\$19.61	\$49.99	

The parts list is continued on the subsequent pages.

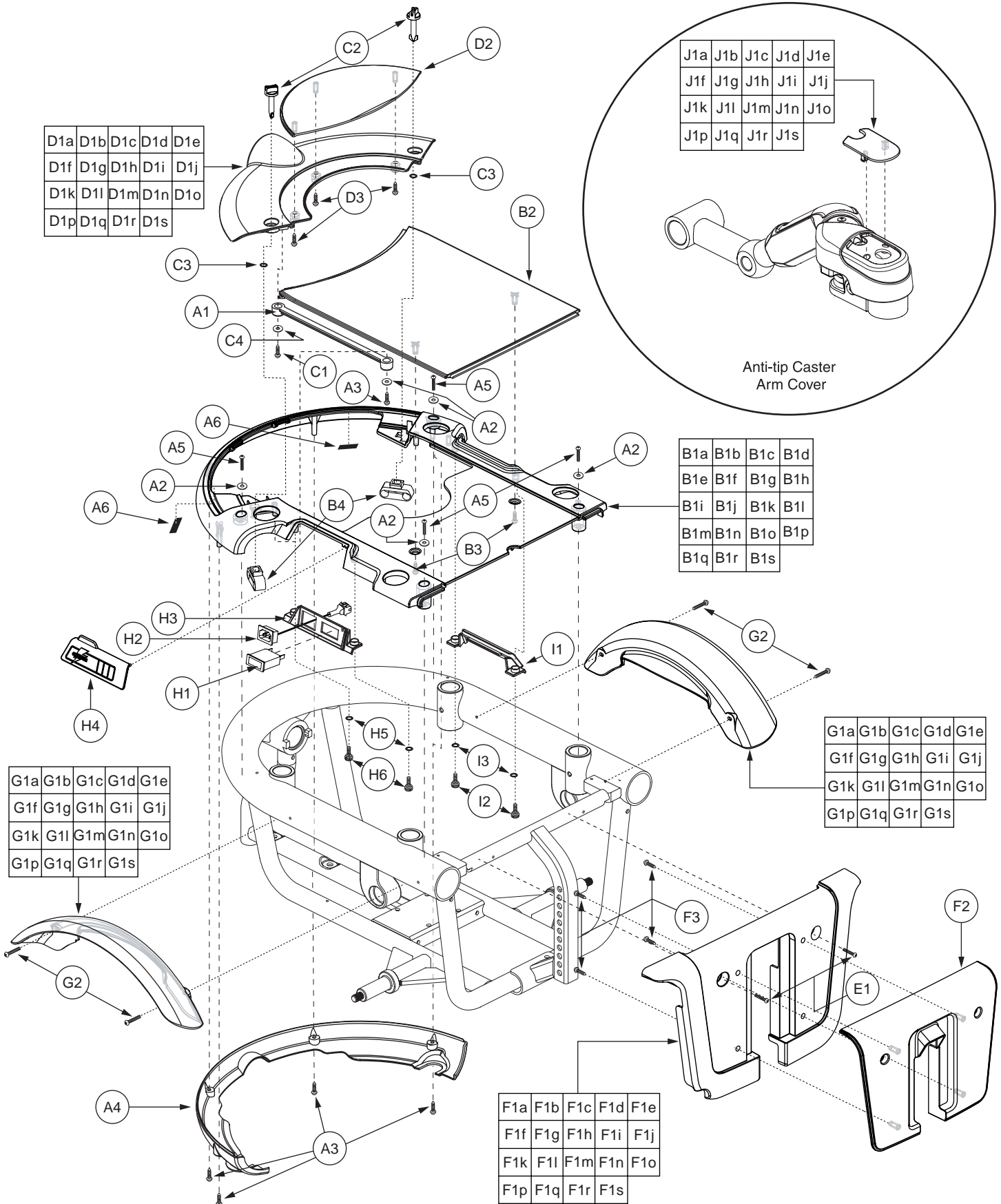


**Note: If an item has no callout, it is being shown for assembly purposes.*

The parts list is continued from the previous pages.

REF #	PART #	DESCRIPTION	QTY	Dealer \$	MSRP	11i
G1g	SHDPNTD2952	SHROUD,PAINTED,CARDINAL RED,QUANTUM600,FENDER,E-1056-008	1	N/A	N/A	
G1h — G2	SHDASMB4920	SHROUD,ASSY,VIOLET,QUANTUM600,FENDER	2	\$19.61	\$49.99	
G1h	SHDPNTD2960	SHROUD,PAINTED,VIOLET,QUANTUM600,FENDER,E-1056-008	1	N/A	N/A	
G1i — G2	SHDASMB4932	SHROUD,ASSY,MARINER BLUE,QUANTUM600,FENDER	2	\$19.61	\$49.99	
G1i	SHDPNTD2968	SHROUD,PAINTED,MARINER BLUE,QUANTUM600,FENDER,E-1056-008	1	N/A	N/A	
G1j — G2	SHDASMB4944	SHROUD,ASSY,SPRING GREEN,QUANTUM600,FENDER	2	\$19.61	\$49.99	
G1j	SHDPNTD2976	SHROUD,PAINTED,SPRING GREEN,QUANTUM600,FENDER,E-1056-008	1	N/A	N/A	
G1k — G2	SHDASMB4956	SHROUD,ASSY,PEARL PINK,QUANTUM600,FENDER	2	\$19.61	\$49.99	
G1k	SHDPNTD2984	SHROUD,PAINTED,PEARL PINK,QUANTUM600,FENDER,E-1056-008	1	N/A	N/A	
G1l — G2	SHDASMB4429	SHROUD,ASSY,CUSTOM,JAZZY600,FENDER	2	N/A	N/A	
G1l	SHDPNTD2644	SHROUD,PAINTED,CUSTOM,JAZZY600,FENDER,E-1056-008	1	N/A	N/A	
G1m — G2	SHDASMB5158	SHROUD,ASSY,TANGERINE,JAZZY600,FENDER	2	\$19.61	\$50.01	
G1m	SHDPNTD3067	SHROUD,PAINTED,TANGERINE,JAZZY600,FENDER,E-1056-008	1	N/A	N/A	
G1n — G2	SHDASMB5165	SHROUD,ASSY,KELLY GREEN,JAZZY600,FENDER	2	\$19.61	\$50.01	
G1n	SHDPNTD3072	SHROUD,PAINTED,KELLY GREEN,JAZZY600,FENDER,E-1056-008	1	N/A	N/A	
G1o — G2	SHDASMB5172	SHROUD,ASSY,PEWTER,JAZZY600,FENDER	2	\$19.61	\$50.01	
G1o	SHDPNTD3077	SHROUD,PAINTED,PEWTER,JAZZY600,FENDER,E-1056-008	1	N/A	N/A	
G1p — G2	SHDASMB5179	SHROUD,ASSY,EMERALD GREEN,JAZZY600,FENDER	2	\$19.61	\$50.01	
G1p	SHDPNTD3081	SHROUD,PAINTED,EMERALD GREEN,JAZZY600,FOOTREST,E-1056-016	1	N/A	N/A	
G1q — G2	SHDASMB5186	SHROUD,ASSY,GRAPHITE BLUE,JAZZY600,FENDER	2	\$19.61	\$50.01	
G1q	SHDPNTD3087	SHROUD,PAINTED,GRAPHITE BLUE,JAZZY600,FENDER,E-1056-008	1	N/A	N/A	
G1r — G2	SHDASMB5193	SHROUD,ASSY,SAPPHIRE BLUE,JAZZY600,FENDER	2	\$19.61	\$50.01	
G1r	SHDPNTD3092	SHROUD,PAINTED,SAPPHIRE BLUE,JAZZY600,FENDER,E-1056-008	1	N/A	N/A	
G1s — G2	SHDASMB4765	SHROUD,ASSY,SILVER,JAZZY600,FENDER	2	\$19.61	\$50.01	
G1s	SHDPNTD2871	SHROUD,PAINTED,SILVER,JAZZY600,FENDER,E-1056-008	1	N/A	N/A	
G2	SCRPPH1163	SCREW,PPH,BLACK ZINC,M4-.7 X 10MM	2	\$1.05	\$2.68	
H1 — H6	ELEASMB3594	ELECTRONIC,ASSY,RECHARGE PANEL	1	\$11.55	\$29.45	
H1	ELEMETR1015	ELECTRONIC,AMMETER,HORIZONTAL, 0-6, FLAT BEZEL FACE,(PRIME:MODEL50)	1	\$10.5	\$26.78	
H2	HARUSHD2112	ELECTRONIC,HARNESS,A/C CHGR INPUT,WITH AMP 1-350346-0,H-1107-007	1	\$5.25	\$13.39	
H3	DWR1054D018	COVER,RECHARGE PANEL,D-1054-018	1	\$1.05	\$2.68	
H4	DWR1054D017	COVER,CHARGER,RUBBER,D-1054-017	1	\$1.05	\$2.68	
H5	WASNEOP1003	WASHER,BLACK,NEOPRENE,3.20MM ID X 7.00MM OD X 1.90MM TH,O-RING	2	\$1.05	\$2.68	
H6	PLSKNCP1047	KNOB,PLASTIC,M4-.7 x 12MM,KNURLED HEAD,C-1054-034	2	\$1.05	\$2.68	
I1 — I3	ELEASMB4269	ELECTRONIC,ASSY,BLANK PANEL	1	\$1.05	\$2.68	
I1	DWR1054C006	COVER,BLANK,JET,C-1054-006	1	\$1.05	\$2.68	
I2	PLSKNCP1047	KNOB,PLASTIC,M4 X 12MM,KNURLED HEAD,C-1054-034,(MCMMASTER-CARR: 96016A121)	2	\$1.05	\$2.68	
I3	WASNEOP1003	WASHER,BLACK,NEOPRENE,3.20MM ID X 7.00MM OD X 1.90MM TH,O-RING	2	\$1.05	\$2.68	
*J1a	SHDPNTD2629	SHROUD,PAINTED,RED,JAZZY600,CASTER ARM COVER,D-1056-031	2	\$13.65	\$34.81	
*J1b	SHDPNTD2630	SHROUD,PAINTED,VIPER BLUE,JAZZY600,CASTER ARM COVER,D-1056-031	2	\$11.97	\$30.52	
*J1c	SHDPNTD2631	SHROUD,PAINTED,BLACK,JAZZY600,CASTER ARM COVER,D-1056-031	2	\$13.65	\$34.81	
*J1d	SHDPNTD2632	SHROUD,PAINTED,CHAMPAGNE,JAZZY600,CASTER ARM COVER,D-1056-031	2	\$13.65	\$34.81	

The parts list is continued on the subsequent pages.



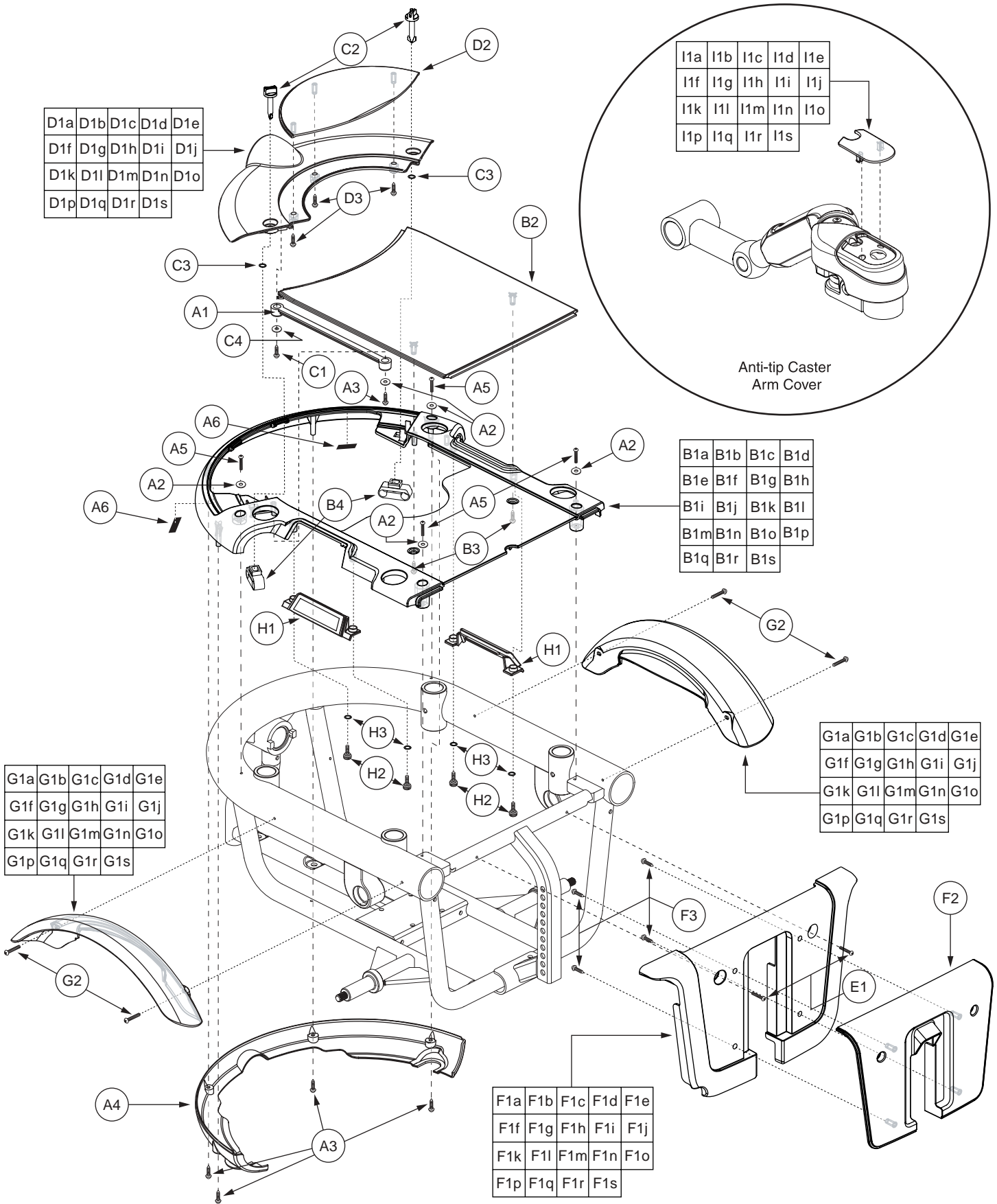
*Note: If an item has no callout, it is being shown for assembly purposes.

The parts list is continued from the previous pages.

REF #	PART #	DESCRIPTION	QTY	Dealer \$	MSRP	11i
*J1e	SHDPNTD2678	SHROUD,PAINTED,ORANGE,JAZZY600,CASTER ARM COVER,D-1056-031	2	\$13.65	\$34.81	
*J1f	SHDPNTD2945	SHROUD,PAINTED,SOLAR YELLOW,QUANTUM600,CASTER ARM COVER,D-1056-031	2	\$13.65	\$34.81	
*J1g	SHDPNTD2953	SHROUD,PAINTED,CARDINAL RED,QUANTUM600,CASTER ARM COVER,D-1056-031	2	\$13.65	\$34.81	
*J1h	SHDPNTD2961	SHROUD,PAINTED,VIOLET,QUANTUM600,CASTER ARM COVER,D-1056-031	2	\$13.65	\$34.81	
*J1i	SHDPNTD2969	SHROUD,PAINTED,MARINER BLUE,QUANTUM600,CASTER ARM COVER,D-1056-031	2	\$13.65	\$34.81	
*J1j	SHDPNTD2977	SHROUD,PAINTED,SPRING GREEN,QUANTUM600,CASTER ARM COVER,D-1056-031	2	\$13.65	\$34.81	
*J1k	SHDPNTD2985	SHROUD,PAINTED,PEARL PINK,QUANTUM600,CASTER ARM COVER,D-1056-031	2	\$13.65	\$34.81	
*J1l	SHDPNTD2645	SHROUD,PAINTED,CUSTOM,JAZZY600,CASTER ARM,D-1056-031	2	N/A	N/A	
*J1m	SHDPNTD3068	SHROUD,PAINTED,TANGERINE,JAZZY600,CASTER ARM COVER,D-1056-031	2	\$13.65	\$34.81	
*J1n	SHDPNTD3073	SHROUD,PAINTED,KELLY GREEN,JAZZY610,CASTER ARM COVER,D-1056-031	2	\$13.65	\$34.81	
*J1o	SHDPNTD3078	SHROUD,PAINTED,PEWTER,JAZZY600,CASTER ARM COVER,D-1056-031	2	\$13.65	\$34.81	
*J1p	SHDPNTD3083	SHROUD,PAINTED,EMERALD GREEN,JAZZY610,CASTER ARM COVER,D-1056-031	2	\$13.65	\$34.81	
*J1q	SHDPNTD3088	SHROUD,PAINTED,GRAPHITE BLUE,JAZZY600,CASTER ARM COVER,D-1056-031	2	\$13.65	\$34.81	
*J1r	SHDPNTD3093	SHROUD,PAINTED,SAPPHIRE BLUE,JAZZY600,CASTER ARM COVER,D-1056-031	2	\$13.65	\$34.81	
*J1s	SHDPNTD2872	SHROUD,PAINTED,SILVER,JAZZY600,CASTER ARM COVER,D-1056-031	2	\$13.65	\$34.81	

Notes :

Custom color option available. Please contact Pride Technical Service for more information. Top-level assemblies will include components designated with corresponding lower-case letters. Painted shrouds are not available individually. The assembly must be purchased. Parts without lower-case letters will be included in all top-level assemblies. For items *J1a through *J1s, one is shown.



**Note: If an item has no callout, it is being shown for assembly purposes.*

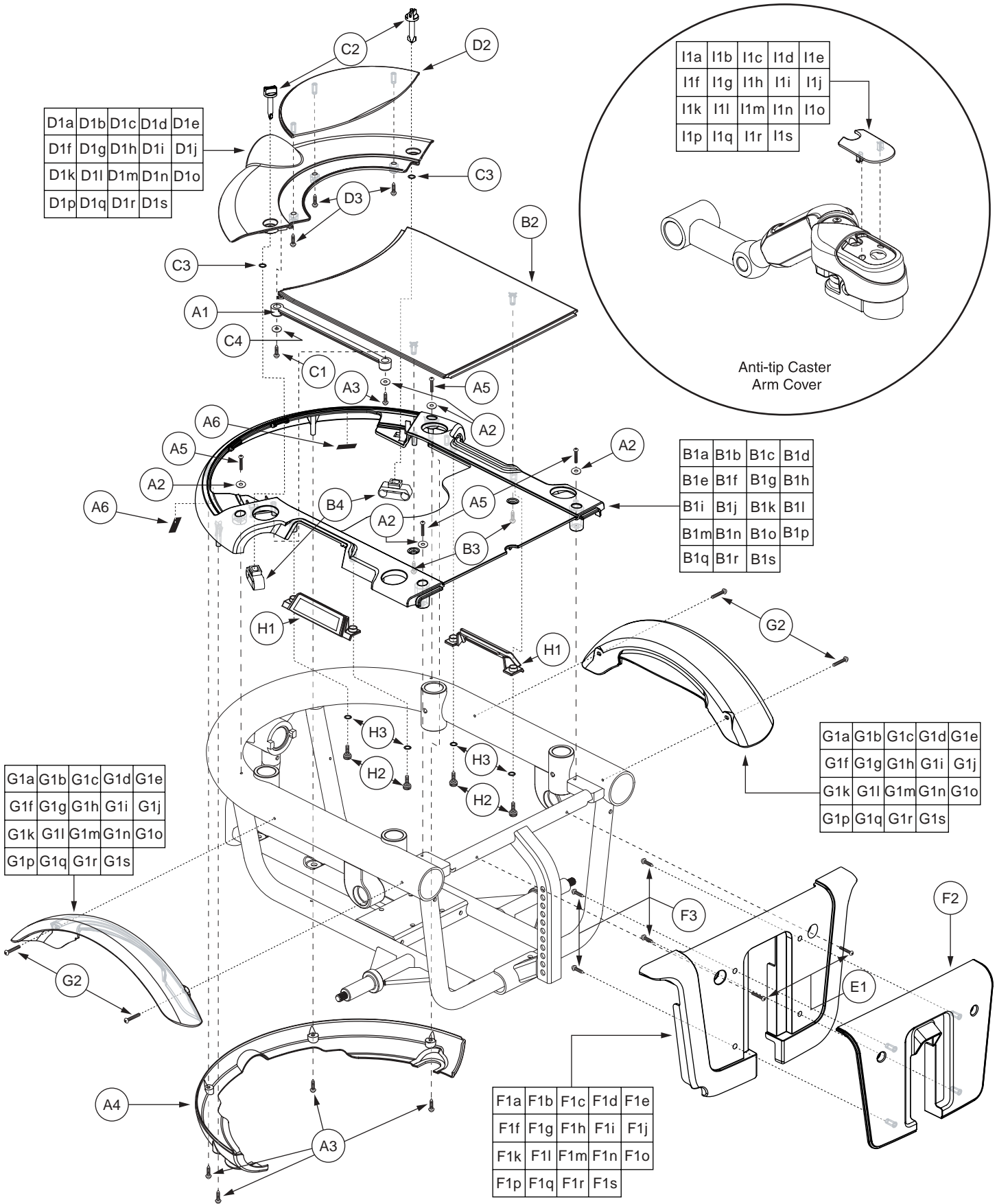
REF #	PART #	DESCRIPTION	QTY	Dealer \$	MSRP	11i
A1 — l1a	SHDASMB4439	SHROUD,ASSY,RED,OFFBOARD CHARGER,JAZZY600/QUANTUM600	1	\$169.05	\$431.08	
A1 — l1b	SHDASMB4440	SHROUD,ASSY,VIPER BLUE,OFFBOARD CHARGER,JAZZY600/QUANTUM600	1	\$169.05	\$431.08	
A1 — l1c	SHDASMB4441	SHROUD,ASSY,BLACK,OFFBOARD CHARGER,JAZZY600/QUANTUM600	1	\$169.05	\$431.08	
A1 — l1d	SHDASMB4442	SHROUD,ASSY,CHAMPAGNE,OFFBOARD CHARGER,JAZZY600/QUANTUM600	1	\$169.05	\$431.08	
A1 — l1e	SHDASMB4485	SHROUD,ASSY,ORANGE,OFFBOARD CHARGER,JAZZY600/QUANTUM600	1	\$169.05	\$431.08	
A1 — l1f	SHDASMB4889	SHROUD,ASSY,SOLAR YELLOW,OFFBOARD CHARGER,QUANTUM600	1	\$116.98	\$298.29	
A1 — l1g	SHDASMB4901	SHROUD,ASSY,CARDINAL RED,OFFBOARD CHARGER,QUANTUM600	1	\$116.98	\$298.29	
A1 — l1h	SHDASMB4913	SHROUD,ASSY,VIOLET,OFFBOARD CHARGER,QUANTUM600	1	\$116.98	\$298.29	
A1 — l1i	SHDASMB4925	SHROUD,ASSY,MARINER BLUE,OFFBOARD CHARGER,QUANTUM600	1	\$116.98	\$298.29	
A1 — l1j	SHDASMB4937	SHROUD,ASSY,SPRING GREEN,OFFBOARD CHARGER,QUANTUM600	1	\$116.98	\$298.29	
A1 — l1k	SHDASMB4949	SHROUD,ASSY,PEARL PINK,OFFBOARD CHARGER,QUANTUM600	1	\$116.98	\$298.29	
A1 — l1l	SHDASMB4443	SHROUD,ASSY,CUSTOM,OFFBOARD CHARGER,JAZZY600	1	N/A	N/A	
A1 — l1m	SHDASMB5152	SHROUD,ASSY,TANGERINE,OFFBOARD CHARGER,JAZZY600/QUANTUM600	1	\$169.05	\$431.08	
A1 — l1n	SHDASMB5159	SHROUD,ASSY,KELLY GREEN,OFFBOARD CHARGER,JAZZY600/QUANTUM600	1	\$169.05	\$431.08	
A1 — l1o	SHDASMB5166	SHROUD,ASSY,PEWTER,OFFBOARD CHARGER,JAZZY600/QUANTUM600	1	\$169.05	\$431.08	
A1 — l1p	SHDASMB5173	SHROUD,ASSY,EMERALD GREEN,OFFBOARD CHARGER,JAZZY600/QUANTUM600	1	\$169.05	\$431.08	
A1 — l1q	SHDASMB5180	SHROUD,ASSY,GRAPHITE BLUE,OFFBOARD CHARGER,JAZZY600/QUANTUM600	1	\$169.05	\$431.08	
A1 — l1r	SHDASMB5187	SHROUD,ASSY,SAPPHIRE BLUE,OFFBOARD CHARGER,JAZZY600/QUANTUM600	1	\$169.05	\$431.05	
A1 — l1s	SHDASMB4759	SHROUD,ASSY,SILVER,OFFBOARD CHARGER,JAZZY600	1	\$169.05	\$431.05	
A1	DWR1054C019	LANYARD,NATURAL RUBBER,6",C-1054-019	1	\$1.05	\$2.68	
A2	WASMETR1042	WASHER,FLAT,BLACK ZINC,4.3MM ID X 12MM OD X 1MM TH,METRIC,GB96-4	5	\$1.05	\$2.68	
A3	SCRPPSM1029	SCREW, PPH - SHEET METAL,BLACK ZINC,M4 X 10MM	5	\$1.05	\$2.68	
A4	DWR1056E011	SHROUD,TUBE COVER,E-1056-011	1	\$2.1	\$5.36	
A5	SCRPPH1163	SCREW,PPH,BLACK ZINC,M4-.7 X 10MM	4	\$1.05	\$2.68	
A6	VELLOOP1024	REUSABLE FASTENER,0.75"W X 1.00"L,LOOP W/ADHESIVE BACK	2	\$1.05	\$2.68	
B1a — B4	SHDASMB4129	SHROUD,ASSY,RED,JAZZY600,MAIN W/CENTER COVER,E-1056-023	1	\$34.65	\$88.36	
B1a	SHDPNTD2465	SHROUD,PAINTED,RED,JAZZY600,MAIN,E-1056-014	1	N/A	N/A	
B1b — B4	SHDASMB4130	SHROUD,ASSY,VIPER BLUE,JAZZY600,MAIN W/CENTER COVER,E-1056-023	1	\$34.65	\$88.36	
B1b	SHDPNTD2469	SHROUD,PAINTED,VIPER BLUE,JAZZY600,MAIN,E-1056-014	1	N/A	N/A	
B1c — B4	SHDASMB4263	SHROUD,ASSY,BLACK,JAZZY600,MAIN W/CENTER COVER,E-1056-023	1	\$34.65	\$88.36	
B1c	SHDPNTD2557	SHROUD,PAINTED,BLACK,JAZZY600,MAIN,E-1056-014	1	N/A	N/A	
B1d — B4	SHDASMB4270	SHROUD,ASSY,CHAMPAGNE,JAZZY600,MAIN W/CENTER COVER,E-1056-023	1	\$34.65	\$88.36	
B1d	SHDPNTD2561	SHROUD,PAINTED,CHAMPAGNE,JAZZY600,MAIN,E-1056-014	1	N/A	N/A	
B1e — B4	SHDASMB4486	SHROUD,ASSY,ORANGE,JAZZY600,MAIN W/CENTER COVER,E-1056-023	1	\$34.65	\$88.36	
B1e	SHDPNTD2674	SHROUD,PAINTED,ORANGE,JAZZY600,MAIN,E-1056-014	1	N/A	N/A	
B1f — B4	SHDASMB4891	SHROUD,ASSY,SOLAR YELLOW,QUANTUM600,MAIN W/CENTER COVER,E-1056-023	1	\$30.79	\$78.53	
B1f	SHDPNTD2941	SHROUD,PAINTED,SOLAR YELLOW,QUANTUM600,MAIN,E-1056-014	1	N/A	N/A	

The parts list is continued on the subsequent pages.

The parts list is continued from the previous pages.

REF #	PART #	DESCRIPTION	QTY	Dealer \$	MSRP	11i
B1g — B4	SHDASMB4903	SHROUD,ASSY,CARDINAL RED,QUANTUM600,MAIN W/CENTER COVER,E-1056-023	1	\$30.79	\$78.53	
B1g	SHDPNTD2949	SHROUD,PAINTED,CARDINAL RED,QUANTUM600,MAIN,E-1056-014	1	N/A	N/A	
B1h — B4	SHDASMB4915	SHROUD,ASSY,VIOLET,QUANTUM600,MAIN W/CENTER COVER,E-1056-023	1	\$30.79	\$78.53	
B1h	SHDPNTD2957	SHROUD,PAINTED,VIOLET,MAIN,E-1056-014	1	N/A	N/A	
B1i — B4	SHDASMB4927	SHROUD,ASSY,MARINER BLUE,QUANTUM600,MAIN W/CENTER COVER,E-1056-023	1	\$30.79	\$78.53	
B1i	SHDPNTD2965	SHROUD,PAINTED,MARINER BLUE,QUANTUM600,MAIN,E-1056-014	1	N/A	N/A	
B1j — B4	SHDASMB4939	SHROUD,ASSY,SPRING GREEN,QUANTUM600,MAIN W/CENTER COVER,E-1056-023	1	\$30.79	\$78.53	
B1j	SHDPNTD2973	SHROUD,PAINTED,SPRING GREEN,QUANTUM600,MAIN,E-1056-014	1	N/A	N/A	
B1k — B4	SHDASMB4951	SHROUD,ASSY,PEARL PINK,QUANTUM600,MAIN W/CENTER COVER,E-1056-023	1	\$30.79	\$78.53	
B1k	SHDPNTD2981	SHROUD,PAINTED,PEARL PINK,QUANTUM600,MAIN,E-1056-014	1	N/A	N/A	
B1l — B4	SHDASMB4424	SHROUD,ASSY,CUSTOM,JAZZY600,MAIN W/CENTER COVER	1	N/A	N/A	
B1l	SHDPNTD2641	SHROUD,PAINTED,CUSTOM,JAZZY600,MAIN	1	N/A	N/A	
B1m — B4	SHDASMB5153	SHROUD,ASSY,TANGERINE,JAZZY600,MAIN W/CENTER COVER,E-1056-023	1	\$30.79	\$78.51	
B1m	SHDPNTD3064	SHROUD,PAINTED,TANGERINE,JAZZY600,MAIN,E-1056-014	1	N/A	N/A	
B1n — B4	SHDASMB5160	SHROUD,ASSY,KELLY GREEN,JAZZY600,MAIN W/CENTER COVER,E-1056-023	1	\$30.79	\$78.51	
B1n	SHDPNTD3069	SHROUD,PAINTED,KELLY GREEN,JAZZY600,MAIN,E-1056-014	1	N/A	N/A	
B1o — B4	SHDASMB5167	SHROUD,ASSY,PEWTER,JAZZY600,MAIN W/CENTER COVER,E-1056-023	1	\$30.79	\$78.51	
B1o	SHDPNTD3074	SHROUD,PAINTED,PEWTER,JAZZY600,MAIN,E-1056-014	1	N/A	N/A	
B1p — B4	SHDASMB5174	SHROUD,ASSY,EMERALD GREEN,JAZZY600,MAIN W/CENTER COVER,E-1056-023	1	\$30.79	\$78.51	
B1p	SHDPNTD3079	SHROUD,PAINTED,EMERALD GREEN,JAZZY600,MAIN,E-1056-014	1	N/A	N/A	
B1q — B4	SHDASMB5181	SHROUD,ASSY,GRAPHITE BLUE,JAZZY600,MAIN W/CENTER COVER,E-1056-023	1	\$30.79	\$78.51	
B1q	SHDPNTD3084	SHROUD,PAINTED,GRAPHITE BLUE,JAZZY600,MAIN,E-1056-014	1	N/A	N/A	
B1r — B4	SHDASMB5188	SHROUD,ASSY,SAPPHIRE BLUE,JAZZY600,MAIN W/CENTER COVER,E-1056-023	1	\$30.79	\$78.51	
B1r	SHDPNTD3089	SHROUD,PAINTED,SAPPHIRE BLUE,JAZZY600,MAIN,E-1056-014	1	N/A	N/A	
B1s — B4	SHDASMB4760	SHROUD,ASSY,SILVER,JAZZY600,MAIN W/CENTER COVER,E-1056-023	1	\$30.79	\$78.51	
B1s	SHDPNTD2868	SHROUD,PAINTED,SILVER,JAZZY600,MAIN,E-1056-014	1	N/A	N/A	
B2	DWR1056E017	SHROUD,CENTER,BLACK,E-1056-017	1	\$3.15	\$8.03	
B3	SCRPPSM1029	SCREW, PPH - SHEET METAL,BLACK ZINC,M4 X 10MM	2	\$1.05	\$2.68	
B4	CLISTL1012	CLIP,SNAP-IN,0.228"D	2	\$1.05	\$2.68	
C1 — D3	SHDASMB4082	SHROUD,ASSY,RED,JAZZY600,REAR DOOR	1	\$14.7	\$37.49	
C1 — D3	SHDASMB4086	SHROUD,ASSY,VIPER BLUE,JAZZY600,REAR DOOR	1	\$14.7	\$37.49	
C1 — D3	SHDASMB4264	SHROUD,ASSY,BLACK,JAZZY600,REAR DOOR	1	\$14.7	\$37.49	
C1 — D3	SHDASMB4271	SHROUD,ASSY,CHAMPAGNE,JAZZY600,REAR DOOR	1	\$14.7	\$37.49	
C1 — D3	SHDASMB4487	SHROUD,ASSY,ORANGE,JAZZY600,REAR DOOR	1	\$14.7	\$37.49	
C1 — D3	SHDASMB4892	SHROUD,ASSY,SOLAR YELLOW,QUANTUM600,REAR DOOR	1	\$10.56	\$26.92	
C1 — D3	SHDASMB4904	SHROUD,ASSY,CARDINAL RED,QUANTUM600,REAR DOOR	1	\$10.56	\$26.92	
C1 — D3	SHDASMB4916	SHROUD,ASSY,VIOLET,QUANTUM600,REAR DOOR	1	\$10.56	\$26.92	
C1 — D3	SHDASMB4928	SHROUD,ASSY,MARINER BLUE,QUANTUM600,REAR DOOR	1	\$10.56	\$26.92	
C1 — D3	SHDASMB4940	SHROUD,ASSY,SPRING GREEN,QUANTUM600,REAR DOOR	1	\$10.56	\$26.92	
C1 — D3	SHDASMB4952	SHROUD,ASSY,PREHISTORIC PINK,QUANTUM600,REAR DOOR	1	\$10.56	\$26.92	

The parts list is continued on the subsequent pages.

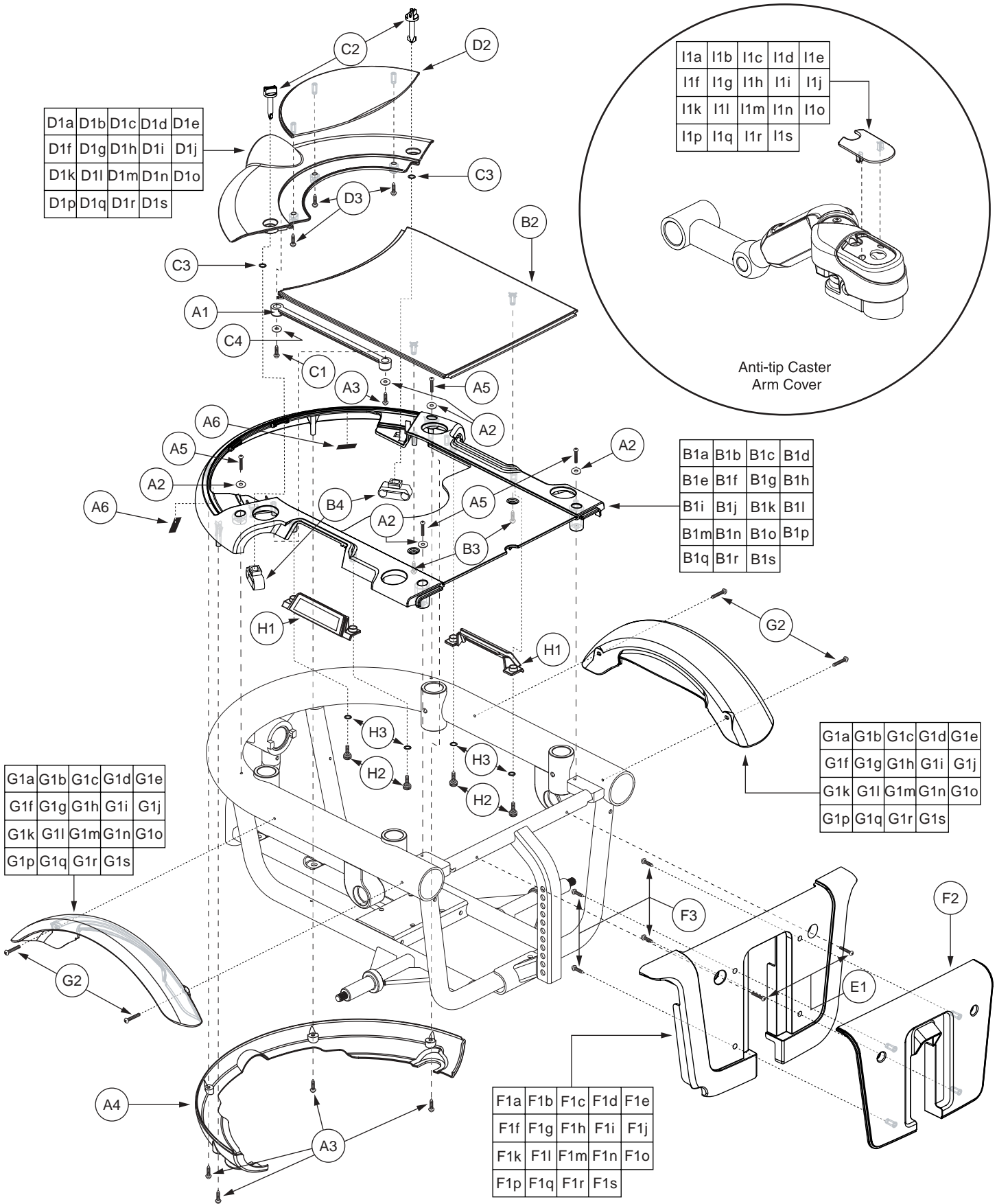


**Note: If an item has no callout, it is being shown for assembly purposes.*

The parts list is continued from the previous pages.

REF #	PART #	DESCRIPTION	QTY	Dealer \$	MSRP	11i
C1 — D3	SHDASMB4425	SHROUD,ASSY,CUSTOM,JAZZY600,REAR DOOR	1	N/A	N/A	
C1 — D3	SHDASMB5154	SHROUD,ASSY,TANGERINE,JAZZY600,REAR DOOR	1	\$10.56	\$26.93	
C1 — D3	SHDASMB5161	SHROUD,ASSY,KELLY GREEN,JAZZY600,REAR DOOR	1	\$10.56	\$26.93	
C1 — D3	SHDASMB5168	SHROUD,ASSY,PEWTER,JAZZY600,REAR DOOR	1	\$10.56	\$26.93	
C1 — D3	SHDASMB5175	SHROUD,ASSY,EMERALD GREEN,JAZZY600,REAR DOOR	1	\$10.56	\$26.93	
C1 — D3	SHDASMB5182	SHROUD,ASSY,GRAPHITE BLUE,JAZZY600,REAR DOOR	1	\$10.56	\$26.93	
C1 — D3	SHDASMB5189	SHROUD,ASSY,SAPPHIRE BLUE,JAZZY600,REAR DOOR	1	\$10.56	\$26.93	
C1 — D3	SHDASMB4761	SHROUD,ASSY,SILVER,JAZZY600,REAR DOOR	1	\$10.56	\$26.93	
C1	SCRPPSM1029	SCREW, PPH - SHEET METAL, BLACK ZINC, M4 X 10MM	1	\$1.05	\$2.68	
C2	CLISTL1013	CLIP, STUD, 1"L, STRAIGHT	2	\$1.05	\$2.68	
C3	HWDINDV1000	O RING, BLACK, NEOPRENE, 4.2MM ID X 9.0MM OD X 1.90MM TH	2	\$1.05	\$2.68	
C4	WASMETR1042	WASHER, FLAT, BLACK ZINC, 4.3MM ID X 12MM OD X 1MM TH, METRIC, GB96-4	1	\$1.05	\$2.68	
D1a — D3	SHDASMB4131	SHROUD,ASSY,RED,JAZZY600,REAR DOOR,E-1056-024	1	\$14.7	\$37.49	
D1a	SHDPNTD2466	SHROUD,PAINTED,RED,JAZZY600,REAR DOOR,E-1056-012	1	N/A	N/A	
D1b — D3	SHDASMB4132	SHROUD,ASSY,VIPER BLUE,JAZZY600,REAR DOOR,E-1056-024	1	\$14.7	\$37.49	
D1b	SHDPNTD2470	SHROUD,PAINTED,VIPER BLUE,JAZZY600,REAR DOOR,E-1056-012	1	N/A	N/A	
D1c — D3	SHDASMB4265	SHROUD,ASSY,BLACK,JAZZY600,REAR DOOR,E-1056-024	1	\$14.7	\$37.49	
D1c	SHDPNTD2558	SHROUD,PAINTED,BLACK,JAZZY600,REAR DOOR,E-1056-012	1	N/A	N/A	
D1d — D3	SHDASMB4272	SHROUD,ASSY,CHAMPAGNE,JAZZY600,REAR DOOR,E-1056-024	1	\$14.7	\$37.49	
D1d	SHDPNTD2562	SHROUD,PAINTED,CHAMPAGNE,JAZZY600,REAR DOOR,E-1056-012	1	N/A	N/A	
D1e — D3	SHDASMB4488	SHROUD,ASSY,ORANGE,JAZZY600,REAR DOOR,E-1056-024	1	\$14.7	\$37.49	
D1e	SHDPNTD2675	SHROUD,PAINTED,ORANGE,JAZZY600,REAR DOOR,E-1056-012	1	N/A	N/A	
D1f — D3	SHDASMB4893	SHROUD,ASSY,SOLAR YELLOW,QUANTUM600,REAR DOOR,E-1056-024	1	\$12.32	\$31.42	
D1f	SHDPNTD2942	SHROUD,PAINTED,SOLAR YELLOW,QUANTUM600,REAR DOOR,E-1056-012	1	N/A	N/A	
D1g — D3	SHDASMB4905	SHROUD,ASSY,CARDINAL RED,QUANTUM600,REAR DOOR,E-1056-024	1	\$12.32	\$31.42	
D1g	SHDPNTD2950	SHROUD,PAINTED,CARDINAL RED,QUANTUM600,REAR DOOR,E-1056-012	1	N/A	N/A	
D1h — D3	SHDASMB4917	SHROUD,ASSY,VIOLET,QUANTUM600,REAR DOOR,E-1056-024	1	\$12.32	\$31.42	
D1h	SHDPNTD2958	SHROUD,PAINTED,VIOLET,QUANTUM600,REAR DOOR,E-1056-012	1	N/A	N/A	
D1i — D3	SHDASMB4929	SHROUD,ASSY,MARINER BLUE,QUANTUM600,REAR DOOR,E-1056-024	1	\$12.32	\$31.42	
D1i	SHDPNTD2966	SHROUD,PAINTED,MARINER BLUE,QUANTUM600,REAR DOOR,E-1056-012	1	N/A	N/A	
D1j — D3	SHDASMB4941	SHROUD,ASSY,SPRING GREEN,QUANTUM600,REAR DOOR,E-1056-024	1	\$12.32	\$31.42	
D1j	SHDPNTD2974	SHROUD,PAINTED,SPRING GREEN,QUANTUM600,REAR DOOR,E-1056-012	1	N/A	N/A	
D1k — D3	SHDASMB4953	SHROUD,ASSY,PEARL PINK,QUANTUM600,REAR DOOR,E-1056-024	1	\$12.32	\$31.42	
D1k	SHDPNTD2982	SHROUD,PAINTED,PEARL PINK,QUANTUM600,REAR DOOR,E-1056-012	1	N/A	N/A	
D1l — D3	SHDASMB4426	SHROUD,ASSY,CUSTOM,JAZZY600,REAR DOOR,E-1056-024	1	N/A	N/A	
D1l	SHDPNTD2642	SHROUD,PAINTED,CUSTOM,JAZZY600,REAR DOOR,E-1056-012	1	N/A	N/A	
D1m — D3	SHDASMB5155	SHROUD,ASSY,TANGERINE,JAZZY600,REAR DOOR,E-1056-024	1	\$12.32	\$31.42	
D1m	SHDPNTD3065	SHROUD,PAINTED,TANGERINE,JAZZY600,REAR DOOR,E-1056-012	1	N/A	N/A	
D1n — D3	SHDASMB5162	SHROUD,ASSY,KELLY GREEN,JAZZY600,REAR DOOR,E-1056-024	1	\$12.32	\$31.42	
D1n	SHDPNTD3070	SHROUD,PAINTED,KELLY GREEN,JAZZY600,REAR DOOR,E-1056-012	1	N/A	N/A	
D1o — D3	SHDASMB5169	SHROUD,ASSY,PEWTER,JAZZY600,REAR DOOR,E-1056-024	1	\$12.32	\$31.42	

The parts list is continued on the subsequent pages.

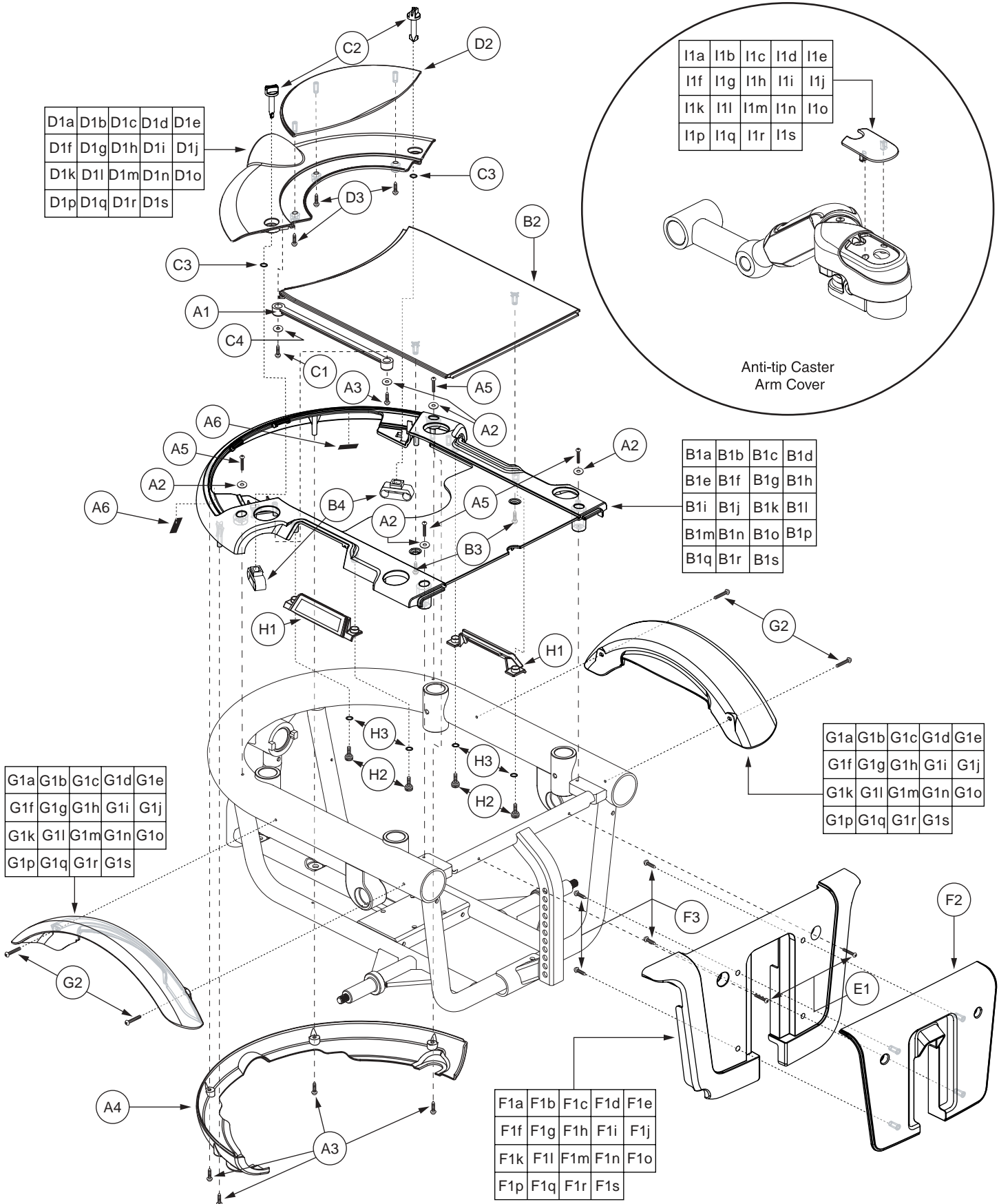


**Note: If an item has no callout, it is being shown for assembly purposes.*

The parts list is continued from the previous pages.

REF #	PART #	DESCRIPTION	QTY	Dealer \$	MSRP	11i
D1o	SHDPNTD3075	SHROUD,PAINTED,PEWTER,JAZZY600,REAR DOOR,E-1056-012	1	N/A	N/A	
D1p — D3	SHDASMB5176	SHROUD,ASSY,EMERALD GREEN,JAZZY600,REAR DOOR,E-1056-024	1	\$12.32	\$31.42	
D1p	SHDPNTD3080	SHROUD,PAINTED,EMERALD GREEN,JAZZY600,REAR DOOR,E-1056-012	1	N/A	N/A	
D1q — D3	SHDASMB5183	SHROUD,ASSY,GRAPHITE BLUE,JAZZY600,REAR DOOR,E-1056-024	1	\$12.32	\$31.42	
D1q	SHDPNTD3085	SHROUD,PAINTED,GRAPHITE BLUE,JAZZY600,REAR DOOR,E-1056-012	1	N/A	N/A	
D1r — D3	SHDASMB5190	SHROUD,ASSY,SAPPHIRE BLUE,JAZZY600,REAR DOOR,E-1056-024	1	\$12.39	\$31.59	
D1r	SHDPNTD3090	SHROUD,PAINTED,SAPPHIRE BLUE,JAZZY600,REAR DOOR,E-1056-012	1	N/A	N/A	
D1s — D3	SHDASMB4762	SHROUD,ASSY,SILVER,JAZZY600,REAR DOOR,E-1056-024	1	\$12.39	\$31.59	
D1s	SHDPNTD2869	SHROUD,PAINTED,SILVER,JAZZY600,REAR DOOR,E-1056-012	1	N/A	N/A	
D2	DWR1056E013	SHROUD,REAR DOOR,BLACK,E-1056-013	1	\$1.05	\$2.68	
D3	SCRPPSM1029	SCREW, PPH - SHEET METAL, BLACK ZINC, M4 X 10MM	3	\$1.05	\$2.68	
E1 — F3	SHDASMB4083	SHROUD,ASSY,RED,JAZZY600,FOOTREST	1	\$18.9	\$48.2	
E1 — F3	SHDASMB4087	SHROUD,ASSY,VIPER BLUE,JAZZY600,FOOTREST	1	\$18.9	\$48.2	
E1 — F3	SHDASMB4266	SHROUD,ASSY,BLACK,JAZZY600,FOOTREST	1	\$18.9	\$48.2	
E1 — F3	SHDASMB4273	SHROUD,ASSY,CHAMPAGNE,JAZZY600,FOOTREST	1	\$18.9	\$48.2	
E1 — F3	SHDASMB4489	SHROUD,ASSY,ORANGE,JAZZY600,FOOTREST	1	\$18.9	\$48.2	
E1 — F3	SHDASMB4894	SHROUD,ASSY,SOLAR YELLOW,QUANTUM600,FOOTREST	1	\$16.28	\$41.51	
E1 — F3	SHDASMB4906	SHROUD,ASSY,CARDINAL RED,QUANTUM600,FOOTREST	1	\$16.28	\$41.51	
E1 — F3	SHDASMB4918	SHROUD,ASSY,VIOLET,QUANTUM600,FOOTREST	1	\$16.28	\$41.51	
E1 — F3	SHDASMB4930	SHROUD,ASSY,MARINER BLUE,QUANTUM600,FOOTREST	1	\$16.28	\$41.51	
E1 — F3	SHDASMB4942	SHROUD,ASSY,SPRING GREEN,QUANTUM600,FOOTREST	1	\$16.28	\$41.51	
E1 — F3	SHDASMB4954	SHROUD,ASSY,PEARL PINK,QUANTUM600,FOOTREST	1	\$16.28	\$41.51	
E1 — F3	SHDASMB4427	SHROUD,ASSY,CUSTOM,JAZZY600,FOOTREST	1	N/A	N/A	
E1 — F3	SHDASMB5156	SHROUD,ASSY,TANGERINE,JAZZY600,FOOTREST	1	\$18.9	\$48.2	
E1 — F3	SHDASMB5163	SHROUD,ASSY,KELLY GREEN,JAZZY600,FOOTREST	1	\$18.9	\$48.2	
E1 — F3	SHDASMB5170	SHROUD,ASSY,PEWTER,JAZZY600,FOOTREST	1	\$18.9	\$48.2	
E1 — F3	SHDASMB5177	SHROUD,ASSY,EMERALD GREEN,JAZZY600,FOOTREST	1	\$18.9	\$48.2	
E1 — F3	SHDASMB5184	SHROUD,ASSY,GRAPHITE BLUE,JAZZY600,FOOTREST	1	\$18.9	\$48.2	
E1 — F3	SHDASMB5191	SHROUD,ASSY,SAPPHIRE BLUE,JAZZY600,FOOTREST	1	\$18.9	\$48.2	
E1 — F3	SHDASMB4763	SHROUD,ASSY,SILVER,JAZZY600,FOOTREST	1	\$18.9	\$48.2	
E1	SCRPPH1153	SCREW,PPH,BLACK ZINC,M4-.7 X 20MM	2	\$1.05	\$2.68	
F1a — F3	SHDASMB4127	SHROUD,ASSY,RED,JAZZY600,FOOTREST,E-1056-022	1	\$18.9	\$48.2	
F1a	SHDPNTD2467	SHROUD,PAINTED,RED,JAZZY600,FOOTREST,E-1056-016	1	N/A	N/A	
F1b — F3	SHDASMB4128	SHROUD,ASSY,VIPER BLUE,JAZZY600,FOOTREST,E-1056-022	1	\$18.9	\$48.2	
F1b	SHDPNTD2471	SHROUD,PAINTED,VIPER BLUE,JAZZY600,FOOTREST,E-1056-016	1	N/A	N/A	
F1c — F3	SHDASMB4267	SHROUD,ASSY,BLACK,JAZZY600,FOOTREST,E-1056-022	1	\$18.9	\$48.2	
F1c	SHDPNTD2559	SHROUD,PAINTED,BLACK,JAZZY600,FOOTREST,E-1056-016	1	N/A	N/A	
F1d — F3	SHDASMB4274	SHROUD,ASSY,CHAMPAGNE,JAZZY600,FOOTREST,E-1056-022	1	\$18.9	\$48.2	
F1d	SHDPNTD2563	SHROUD,PAINTED,CHAMPAGNE,JAZZY600,FOOTREST,E-1056-016	1	N/A	N/A	
F1e — F3	SHDASMB4490	SHROUD,ASSY,ORANGE,JAZZY600,FOOTREST,E-1056-022	1	\$18.9	\$48.2	
F1e	SHDPNTD2676	SHROUD,PAINTED,ORANGE,JAZZY600,FOOTREST,E-1056-016	1	N/A	N/A	
F1f — F3	SHDASMB4895	SHROUD,ASSY,SOLAR YELLOW,QUANTUM600,FOOTREST,E-1056-022	1	\$16.28	\$41.51	
F1f	SHDPNTD2943	SHROUD,PAINTED,SOLAR YELLOW,QUANTUM600,FOOTREST,E-1056-016	1	N/A	N/A	

The parts list is continued on the subsequent pages.

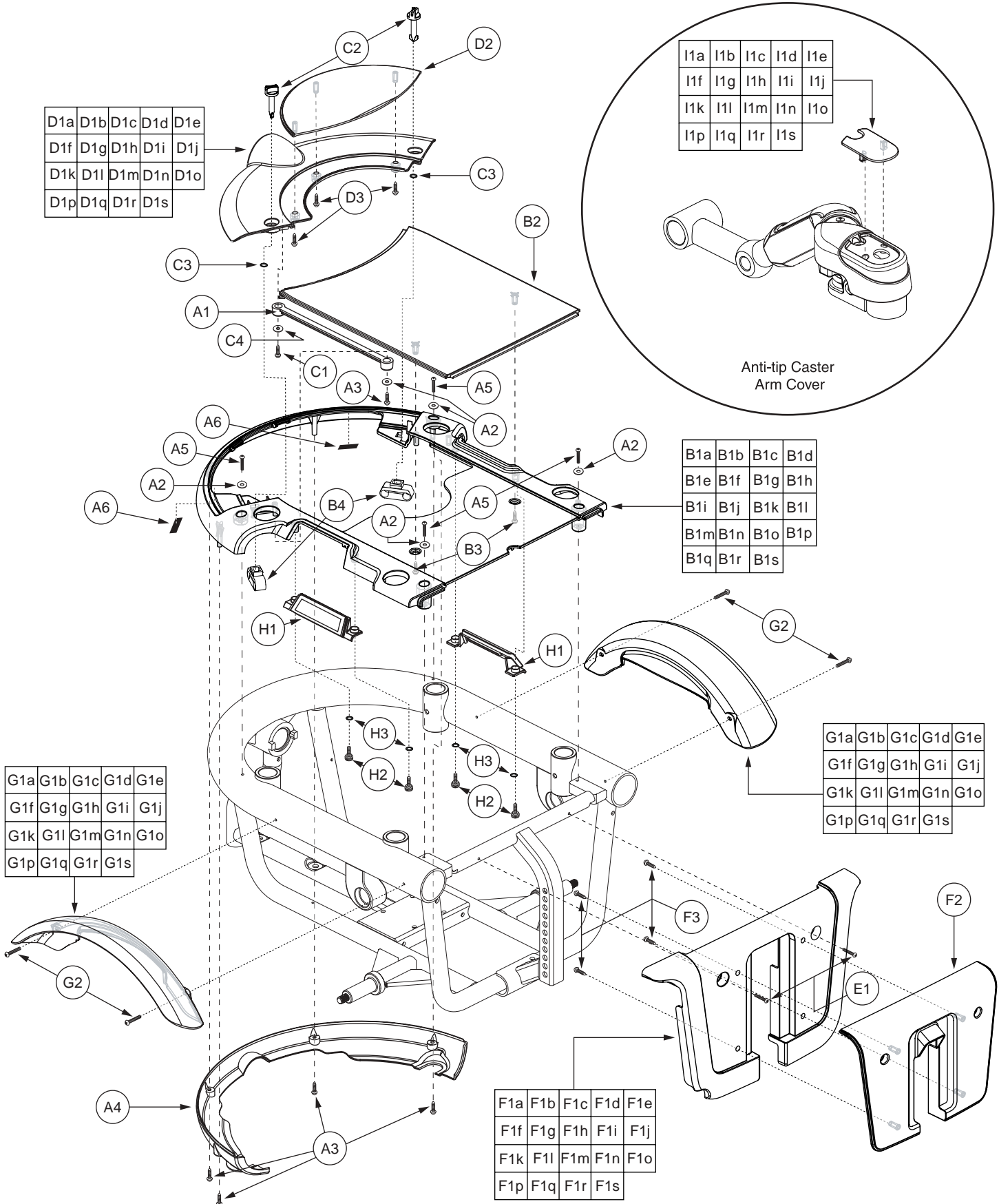


**Note: If an item has no callout, it is being shown for assembly purposes.*

The parts list is continued from the previous pages.

REF #	PART #	DESCRIPTION	QTY	Dealer \$	MSRP	11i
F1g — F3	SHDASMB4907	SHROUD,ASSY,CARDINAL RED,QUANTUM600,FOOTREST,E-1056-022	1	\$16.28	\$41.51	
F1g	SHDPNTD2951	SHROUD,PAINTED,CARDINAL RED,QUANTUM600,FOOTREST,E-1056-016	1	N/A	N/A	
F1h — F3	SHDASMB4919	SHROUD,ASSY,VIOLET,QUANTUM600,FOOTREST,E-1056-022	1	\$16.28	\$41.51	
F1h	SHDPNTD2959	SHROUD,PAINTED,VIOLET,QUANTUM600,FOOTREST,E-1056-016	1	N/A	N/A	
F1i — F3	SHDASMB4931	SHROUD,ASSY,MARINER BLUE,QUANTUM600,FOOTREST,E-1056-022	1	\$16.28	\$41.51	
F1i	SHDPNTD2967	SHROUD,PAINTED,MARINER BLUE,QUANTUM600,FOOTREST,E-1056-016	1	N/A	N/A	
F1j — F3	SHDASMB4943	SHROUD,ASSY,SPRING GREEN,QUANTUM600,FOOTREST,E-1056-022	1	\$16.28	\$41.51	
F1j	SHDPNTD2975	SHROUD,PAINTED,SPRING GREEN,QUANTUM600,FOOTREST,E-1056-016	1	N/A	N/A	
F1k — F3	SHDASMB4955	SHROUD,ASSY,PEARL PINK,QUANTUM600,FOOTREST,E-1056-022	1	\$16.28	\$41.51	
F1k	SHDPNTD2983	SHROUD,PAINTED,PEARL PINK,QUANTUM600,FOOTREST,E-1056-016	1	N/A	N/A	
F1l — F3	SHDASMB4428	SHROUD,ASSY,CUSTOM,JAZZY600,FOOTREST,E-1056-022	1	N/A	N/A	
F1l	SHDPNTD2643	SHROUD,PAINTED,CUSTOM,JAZZY600,FOOTREST,E-1056-016	1	N/A	N/A	
F1m — F3	SHDASMB5157	SHROUD,ASSY,TANGERINE,JAZZY600,FOOTREST,E-1056-022	1	\$18.9	\$48.2	
F1m	SHDPNTD3066	SHROUD,PAINTED,TANGERINE,JAZZY600,FOOTREST,E-1056-016	1	N/A	N/A	
F1n — F3	SHDASMB5164	SHROUD,ASSY,KELLY GREEN,JAZZY600,FOOTREST,E-1056-022	1	\$18.9	\$48.2	
F1n	SHDPNTD3071	SHROUD,PAINTED,KELLY GREEN,JAZZY600,FOOTREST,E-1056-016	1	N/A	N/A	
F1o — F3	SHDASMB5171	SHROUD,ASSY,PEWTER,JAZZY600,FOOTREST,E-1056-022	1	\$18.9	\$48.2	
F1o	SHDPNTD3076	SHROUD,PAINTED,PEWTER,JAZZY600,FOOTREST,E-1056-016	1	N/A	N/A	
F1p — F3	SHDASMB5178	SHROUD,ASSY,EMERALD GREEN,JAZZY600,FOOTREST,E-1056-022	1	\$18.9	\$48.2	
F1p	SHDPNTD3081	SHROUD,PAINTED,EMERALD GREEN,JAZZY600,FOOTREST,E-1056-016	1	N/A	N/A	
F1q — F3	SHDASMB5185	SHROUD,ASSY,GRAPHITE BLUE,JAZZY600,FOOTREST,E-1056-022	1	\$18.9	\$48.2	
F1q	SHDPNTD3086	SHROUD,PAINTED,GRAPHITE BLUE,JAZZY600,FOOTREST,E-1056-016	1	N/A	N/A	
F1r — F3	SHDASMB5192	SHROUD,ASSY,SAPPHIRE BLUE,JAZZY600,FOOTREST,E-1056-022	1	\$18.9	\$48.2	
F1r	SHDPNTD3090	SHROUD,PAINTED,SAPPHIRE BLUE,JAZZY600,REAR DOOR,E-1056-012	1	N/A	N/A	
F1s — F3	SHDASMB4764	SHROUD,ASSY,SILVER,JAZZY600,FOOTREST,E-1056-022	1	\$18.9	\$48.2	
F1s	SHDPNTD2870	SHROUD,PAINTED,SILVER,JAZZY600,FOOTREST,E-1056-016	1	N/A	N/A	
F2	DWR1056E015	SHROUD,FRONT DOOR,BLACK,E-1056-015	1	\$4.2	\$10.71	
F3	SCRPPSM1029	SCREW, PPH - SHEET METAL,BLACK ZINC,M4 X 10MM	4	\$1.05	\$2.68	
G1a — G2	SHDASMB4084	SHROUD,ASSY,RED,JAZZY600,FENDER	2	\$12.6	\$32.13	
G1a	SHDPNTD2468	SHROUD,PAINTED,RED,JAZZY600,FENDER,E-1056-008	1	N/A	N/A	
G1b — G2	SHDASMB4088	SHROUD,ASSY,VIPER BLUE,JAZZY600,FENDER	2	\$12.6	\$32.13	
G1b	SHDPNTD2472	SHROUD,PAINTED,VIPER BLUE,JAZZY600,FENDER,E-1056-008	1	N/A	N/A	
G1c — G2	SHDASMB4268	SHROUD,ASSY,BLACK,JAZZY600,FENDER	2	\$12.6	\$32.13	
G1c	SHDPNTD2560	SHROUD,PAINTED,BLACK,JAZZY600,FENDER,E-1056-008	1	N/A	N/A	
G1d — G2	SHDASMB4275	SHROUD,ASSY,CHAMPAGNE,JAZZY600,FENDER	2	\$12.6	\$32.13	
G1d	SHDPNTD2564	SHROUD,PAINTED,CHAMPAGNE,JAZZY600,FENDER,E-1056-008	1	N/A	N/A	
G1e — G2	SHDASMB4491	SHROUD,ASSY,ORANGE,JAZZY600,FENDER	2	\$12.6	\$32.13	
G1e	SHDPNTD2677	SHROUD,PAINTED,ORANGE,JAZZY600,FENDER,E-1056-008	1	N/A	N/A	
G1f — G2	SHDASMB4896	SHROUD,ASSY,SOLAR YELLOW,QUANTUM600,FENDER	2	\$19.61	\$49.99	
G1f	SHDPNTD2944	SHROUD,PAINTED,SOLAR YELLOW,QUANTUM600,FENDER,E-1056-008	1	N/A	N/A	
G1g — G2	SHDASMB4908	SHROUD,ASSY,CARDINAL RED,QUANTUM600,FENDER	2	\$19.61	\$49.99	

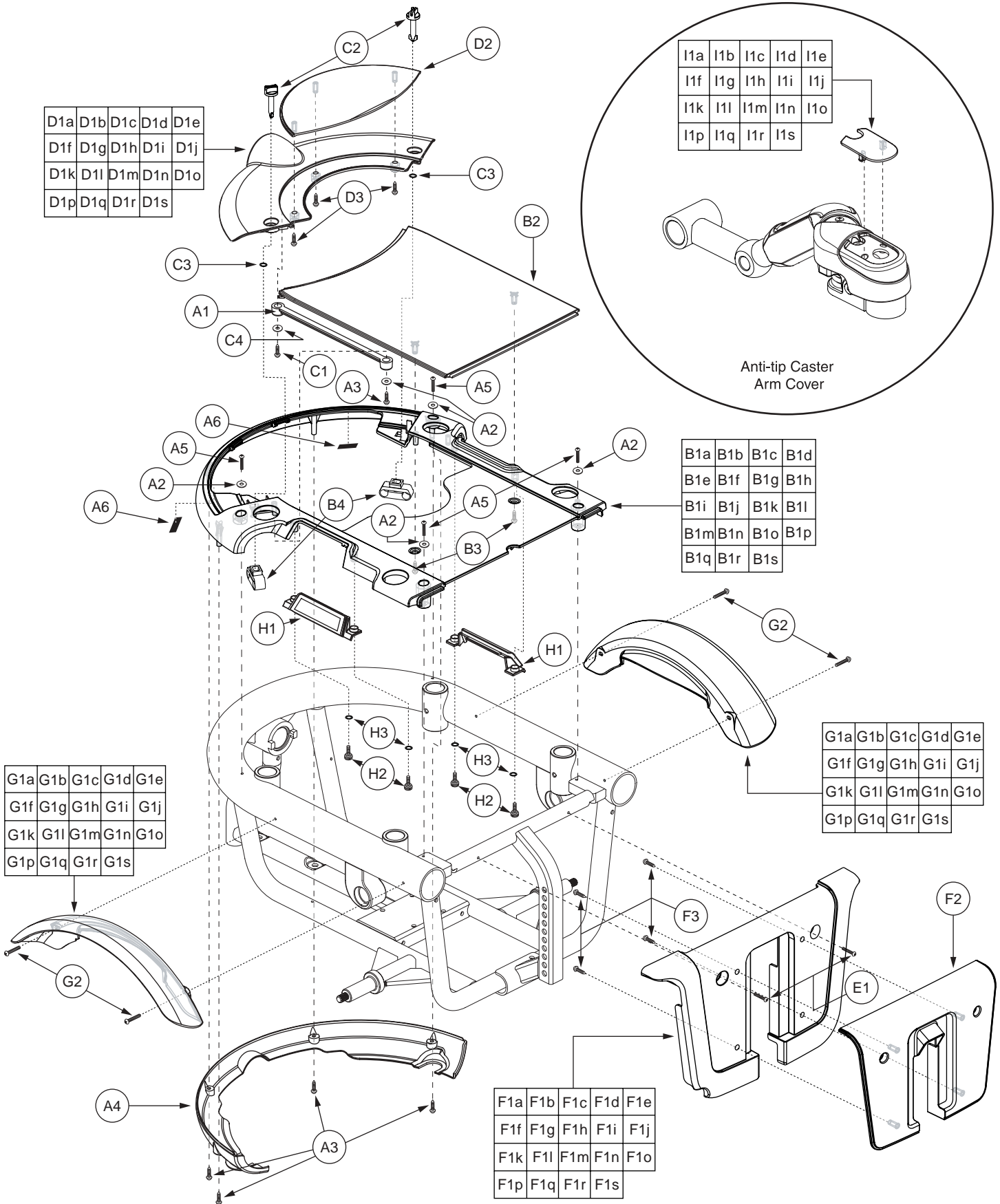
The parts list is continued on the subsequent pages.



The parts list is continued from the previous pages.

REF #	PART #	DESCRIPTION	QTY	Dealer \$	MSRP	11i
G1g	SHDPNTD2952	SHROUD,PAINTED,CARDINAL RED,QUANTUM600,FENDER,E-1056-008	1	N/A	N/A	
G1h — G2	SHDASMB4920	SHROUD,ASSY,VIOLET,QUANTUM600,FENDER	2	\$19.61	\$49.99	
G1h	SHDPNTD2960	SHROUD,PAINTED,VIOLET,QUANTUM600,FENDER,E-1056-008	1	N/A	N/A	
G1i — G2	SHDASMB4932	SHROUD,ASSY,MARINER BLUE,QUANTUM600,FENDER	2	\$19.61	\$49.99	
G1i	SHDPNTD2968	SHROUD,PAINTED,MARINER BLUE,QUANTUM600,FENDER,E-1056-008	1	N/A	N/A	
G1j — G2	SHDASMB4944	SHROUD,ASSY,SPRING GREEN,QUANTUM600,FENDER	2	\$19.61	\$49.99	
G1j	SHDPNTD2976	SHROUD,PAINTED,SPRING GREEN,QUANTUM600,FENDER,E-1056-008	1	N/A	N/A	
G1k — G2	SHDASMB4956	SHROUD,ASSY,PEARL PINK,QUANTUM600,FENDER	2	\$19.61	\$49.99	
G1k	SHDPNTD2984	SHROUD,PAINTED,PEARL PINK,QUANTUM600,FENDER,E-1056-008	1	N/A	N/A	
G1l — G2	SHDASMB4429	SHROUD,ASSY,CUSTOM,JAZZY600,FENDER	2	N/A	N/A	
G1l	SHDPNTD2644	SHROUD,PAINTED,CUSTOM,JAZZY600,FENDER,E-1056-008	1	N/A	N/A	
G1m — G2	SHDASMB5158	SHROUD,ASSY,TANGERINE,JAZZY600,FENDER	2	\$19.61	\$50.01	
G1m	SHDPNTD3067	SHROUD,PAINTED,TANGERINE,JAZZY600,FENDER,E-1056-008	1	N/A	N/A	
G1n — G2	SHDASMB5165	SHROUD,ASSY,KELLY GREEN,JAZZY600,FENDER	2	\$19.61	\$50.01	
G1n	SHDPNTD3072	SHROUD,PAINTED,KELLY GREEN,JAZZY600,FENDER,E-1056-008	1	N/A	N/A	
G1o — G2	SHDASMB5172	SHROUD,ASSY,PEWTER,JAZZY600,FENDER	2	\$19.61	\$50.01	
G1o	SHDPNTD3077	SHROUD,PAINTED,PEWTER,JAZZY600,FENDER,E-1056-008	1	N/A	N/A	
G1p — G2	SHDASMB5179	SHROUD,ASSY,EMERALD GREEN,JAZZY600,FENDER	2	\$19.61	\$50.01	
G1p	SHDPNTD3082	SHROUD,PAINTED,EMERALD GREEN,JAZZY600,FENDER,E-1056-008	1	N/A	N/A	
G1q — G2	SHDASMB5186	SHROUD,ASSY,GRAPHITE BLUE,JAZZY600,FENDER	2	\$19.61	\$50.01	
G1q	SHDPNTD3087	SHROUD,PAINTED,GRAPHITE BLUE,JAZZY600,FENDER,E-1056-008	2	N/A	N/A	
G1r — G2	SHDASMB5193	SHROUD,ASSY,SAPPHIRE BLUE,JAZZY600,FENDER	2	\$19.61	\$50.01	
G1r	SHDPNTD3092	SHROUD,PAINTED,SAPPHIRE BLUE,JAZZY600,FENDER,E-1056-008	1	N/A	N/A	
G1s — G2	SHDASMB4765	SHROUD,ASSY,SILVER,JAZZY600,FENDER	2	\$19.61	\$50.01	
G1s	SHDPNTD2871	SHROUD,PAINTED,SILVER,JAZZY600,FENDER,E-1056-008	1	N/A	N/A	
G2	SCRPPH1163	SCREW,PPH,BLACK ZINC,M4-.7 X 10MM	2	\$1.05	\$2.68	
H1 — H3	ELEASMB4269	ELECTRONIC,ASSY,BLANK PANEL	2	\$1.05	\$2.68	
H1	DWR1054C006	COVER,BLANK,JET,C-1054-006	1	\$1.05	\$2.68	
H2	PLSKNCP1047	KNOB,PLASTIC,M4-.7 x 12MM,KNURLED HEAD,C-1054-034	2	\$1.05	\$2.68	
H3	WASNEOP1003	WASHER,BLACK,NEOPRENE,3.20MM ID X 7.00MM OD X 1.90MM TH,O-RING	2	\$1.05	\$2.68	
*I1a	SHDPNTD2629	SHROUD,PAINTED,RED,JAZZY600,CASTER ARM COVER,D-1056-031	2	\$13.65	\$34.81	
*I1b	SHDPNTD2630	SHROUD,PAINTED,VIPER BLUE,JAZZY600,CASTER ARM COVER,D-1056-031	2	\$11.97	\$30.52	
*I1c	SHDPNTD2631	SHROUD,PAINTED,BLACK,JAZZY600,CASTER ARM COVER,D-1056-031	2	\$13.65	\$34.81	
*I1d	SHDPNTD2632	SHROUD,PAINTED,CHAMPAGNE,JAZZY600,CASTER ARM COVER,D-1056-031	2	\$13.65	\$34.81	
*I1e	SHDPNTD2678	SHROUD,PAINTED,ORANGE,JAZZY600,CASTER ARM COVER,D-1056-031	2	\$13.65	\$34.81	
*I1f	SHDPNTD2945	SHROUD,PAINTED,SOLAR YELLOW,QUANTUM600,CASTER ARM COVER,D-1056-031	2	\$13.65	\$34.81	
*I1g	SHDPNTD2953	SHROUD,PAINTED,CARDINAL RED,QUANTUM600,CASTER ARM COVER,D-1056-031	2	\$13.65	\$34.81	
*I1h	SHDPNTD2961	SHROUD,PAINTED,VIOLET,QUANTUM600,CASTER ARM COVER,D-1056-031	2	\$13.65	\$34.81	
*I1i	SHDPNTD2969	SHROUD,PAINTED,MARINER BLUE,QUANTUM600,CASTER ARM COVER,D-1056-031	2	\$13.65	\$34.81	
*I1j	SHDPNTD2977	SHROUD,PAINTED,SPRING GREEN,QUANTUM600,CASTER ARM COVER,D-1056-031	2	\$13.65	\$34.81	

The parts list is continued on the subsequent pages.

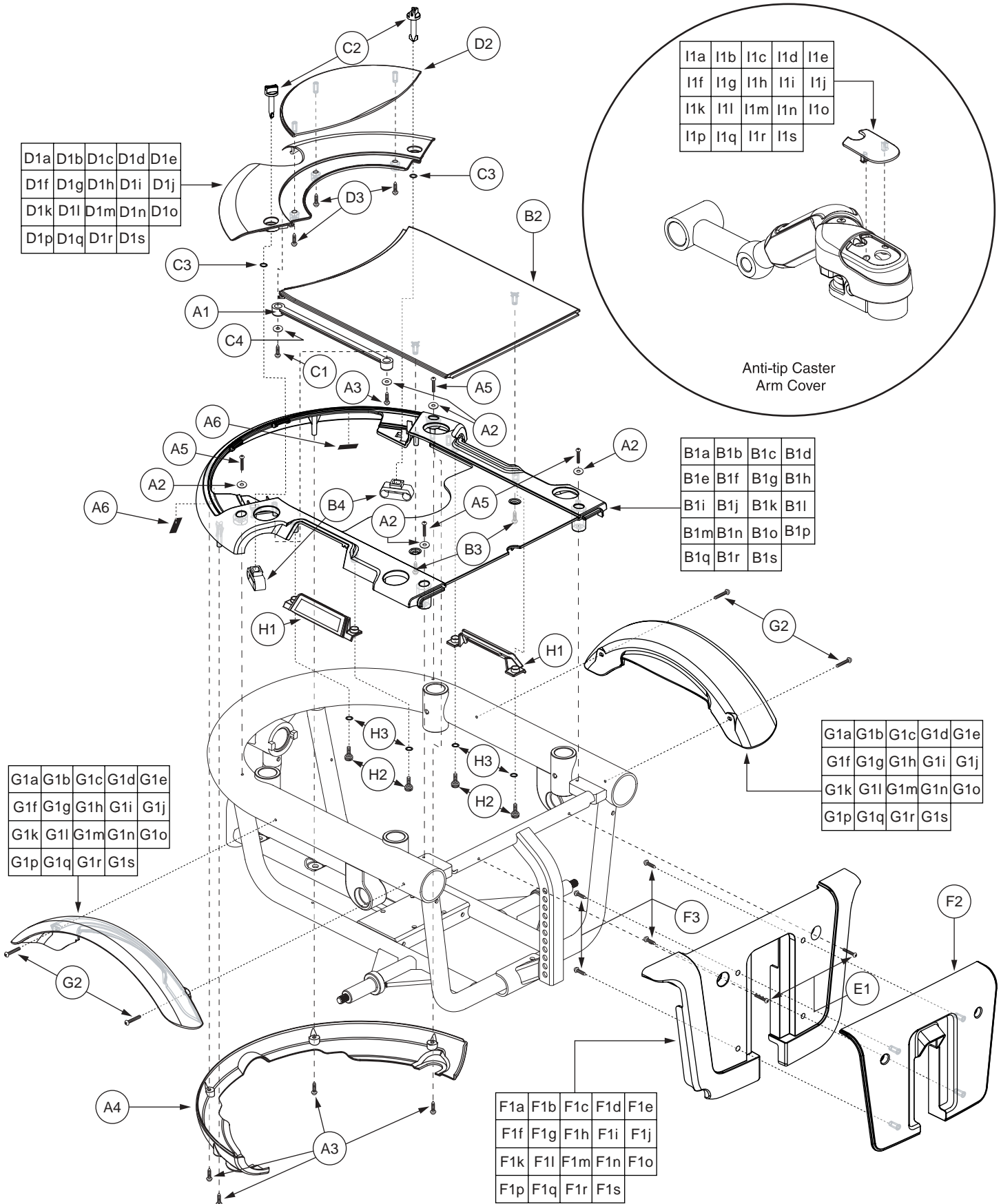


The parts list is continued from the previous pages.

REF #	PART #	DESCRIPTION	QTY	Dealer \$	MSRP	11i
*11k	SHDPNTD2985	SHROUD,PAINTED,PEARL PINK,QUANTUM600,CASTER ARM COVER,D-1056-031	2	\$13.65	\$34.81	
*11l	SHDPNTD2645	SHROUD,PAINTED,CUSTOM,JAZZY600,CASTER ARM,D-1056-031	2	N/A	N/A	
*11m	SHDPNTD3068	SHROUD,PAINTED,TANGERINE,JAZZY600,CASTER ARM COVER,D-1056-031	2	\$13.65	\$34.81	
*11n	SHDPNTD3073	SHROUD,PAINTED,KELLY GREEN,JAZZY610,CASTER ARM COVER,D-1056-031	2	\$13.65	\$34.81	
*11o	SHDPNTD3078	SHROUD,PAINTED,PEWTER,JAZZY600,CASTER ARM COVER,D-1056-031	2	\$13.65	\$34.81	
*11p	SHDPNTD3083	SHROUD,PAINTED,EMERALD GREEN,JAZZY610,CASTER ARM COVER,D-1056-031	2	\$13.65	\$34.81	
*11q	SHDPNTD3088	SHROUD,PAINTED,GRAPHITE BLUE,JAZZY600,CASTER ARM COVER,D-1056-031	2	\$13.65	\$34.81	
*11r	SHDPNTD3093	SHROUD,PAINTED,SAPPHIRE BLUE,JAZZY600,CASTER ARM COVER,D-1056-031	2	\$13.65	\$34.81	
*11s	SHDPNTD2872	SHROUD,PAINTED,SILVER,JAZZY600,CASTER ARM COVER,D-1056-031	2	\$13.65	\$34.81	

Notes :

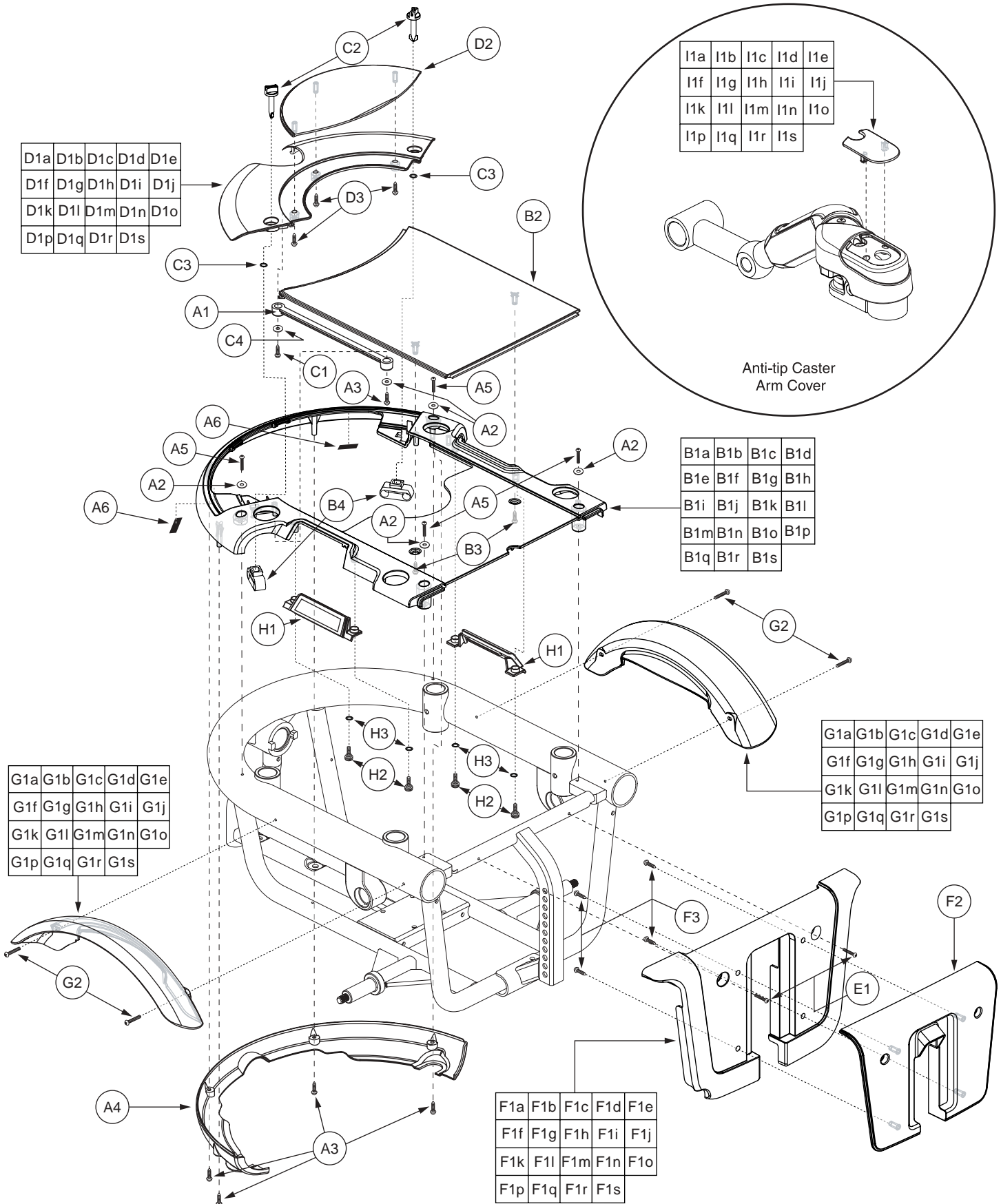
Custom color option available. Please contact Pride Technical Service for more information. Top-level assemblies will include components designated with corresponding lower-case letters. Painted shrouds are not available individually. The assembly must be purchased. Parts without lower-case letters will be included in all top-level assemblies. For items *11a through *11s, one is shown.



**Note: If an item has no callout, it is being shown for assembly purposes.*

REF #	PART #	DESCRIPTION	QTY	Dealer \$	MSRP	11i
A1 — I1a	SHDASMB4961	SHROUD,ASSY,RED,OFFBOARD CHARGER,MODIFIED FOR TRU-BALANCE PEDIATRIC TILT,QUANTUM600	1	\$181.82	\$463.64	
A1 — I1b	SHDASMB4962	SHROUD,ASSY,VIPER BLUE,OFFBOARD CHARGER,MODIFIED FOR TRU-BALANCE PEDIATRIC TILT,QUANTUM600	1	\$181.82	\$463.64	
A1 — I1c	SHDASMB4963	SHROUD,ASSY,BLACK,OFFBOARD CHARGER,MODIFIED FOR TRU-BALANCE PEDIATRIC TILT,QUANTUM600	1	\$181.82	\$463.64	
A1 — I1d	SHDASMB4964	SHROUD,ASSY,CHAMPAGNE,OFFBOARD CHARGER,MODIFIED FOR TRU-BALANCE PEDIATRIC TILT,QUANTUM600	1	\$181.82	\$463.64	
A1 — I1e	SHDASMB4966	SHROUD,ASSY,ORANGE,OFFBOARD CHARGER,MODIFIED FOR TRU-BALANCE PEDIATRIC TILT,QUANTUM600	1	\$181.82	\$463.64	
A1 — I1f	SHDASMB4967	SHROUD,ASSY,SOLAR YELLOW,OFFBOARD CHARGER,MODIFIED FOR TRU-BALANCE PEDIATRIC TILT,QUANTUM600	1	\$181.82	\$463.64	
A1 — I1g	SHDASMB4968	SHROUD,ASSY,CARDINAL RED,OFFBOARD CHARGER,MODIFIED FOR TRU-BALANCE PEDIATRIC TILT,QUANTUM600	1	\$181.82	\$463.64	
A1 — I1h	SHDASMB4969	SHROUD,ASSY,VIOLET,OFFBOARD CHARGER,MODIFIED FOR TRU-BALANCE PEDIATRIC TILT,QUANTUM600	1	\$181.82	\$463.64	
A1 — I1i	SHDASMB4970	SHROUD,ASSY,MARINER BLUE,OFFBOARD CHARGER,MODIFIED FOR TRU-BALANCE PEDIATRIC TILT,QUANTUM600	1	\$181.82	\$463.64	
A1 — I1j	SHDASMB4971	SHROUD,ASSY,SPRING GREEN,OFFBOARD CHARGER,MODIFIED FOR TRU-BALANCE PEDIATRIC TILT,QUANTUM600	1	\$181.82	\$463.64	
A1 — I1k	SHDASMB4972	SHROUD,ASSY,PEARL PINK,OFFBOARD CHARGER,MODIFIED FOR TRU-BALANCE PEDIATRIC TILT,QUANTUM600	1	\$181.82	\$463.64	
A1 — I1l	SHDASMB4965	SHROUD,ASSY,CUSTOM COLOR,OFFBOARD CHARGER,MODIFIED FOR TRU-BALANCE PEDIATRIC TILT,QUANTUM600	1	N/A	N/A	
A1 — I1m	SHDASMB5202	SHROUD,ASSY,TANGERINE,OFFBOARD CHARGER,MODIFIED FOR TRU-BALANCE PEDIATRIC TILT,QUANTUM600	1	\$181.82	\$463.64	
A1 — I1n	SHDASMB5205	SHROUD,ASSY,KELLY GREEN,OFFBOARD CHARGER,MODIFIED FOR TRU-BALANCE PEDIATRIC TILT,QUANTUM600	1	\$181.82	\$463.64	
A1 — I1o	SHDASMB5208	SHROUD,ASSY,PEWTER,OFFBOARD CHARGER,MODIFIED FOR TRU-BALANCE PEDIATRIC TILT,QUANTUM600	1	\$181.82	\$463.64	
A1 — I1p	SHDASMB5211	SHROUD,ASSY,EMERALD GREEN,OFFBOARD CHARGER,MODIFIED FOR TRU-BALANCE PEDIATRIC TILT,QUANTUM600	1	\$181.82	\$463.64	
A1 — I1q	SHDASMB5214	SHROUD,ASSY,GRAPHITE BLUE,OFFBOARD CHARGER,MODIFIED FOR TRU-BALANCE PEDIATRIC TILT,QUANTUM600	1	\$181.82	\$463.64	
A1 — I1r	SHDASMB5217	SHROUD,ASSY,SAPPHIRE BLUE,OFFBOARD CHARGER,MODIFIED FOR TRU-BALANCE PEDIATRIC TILT,QUANTUM600	1	\$181.982	\$463.54	
A1 — I1s	SHDASMB4973	SHROUD,ASSY,SILVER,OFFBOARD CHARGER,MODIFIED FOR TRU-BALANCE PEDIATRIC TILT,QUANTUM600	1	\$181.82	\$463.64	
A1	DWR1054C019	LANYARD,NATURAL RUBBER,6",C-1054-019	1	\$1.05	\$2.68	
A2	WASMETR1042	WASHER,FLAT,BLACK ZINC,4.3MM ID X 12MM OD X 1MM TH,METRIC,GB96-4	5	\$1.05	\$2.68	
A3	SCRPPSM1029	SCREW,PPH - SHEET METAL,BLACK ZINC,M4 X 10MM	5	\$1.05	\$2.68	
A4	DWR1056E011	SHROUD,TUBE COVER,E-1056-011	1	\$2.1	\$5.36	
A5	SCRPPH1163	SCREW,PPH,BLACK ZINC,M4-.7 X 10MM	4	\$1.05	\$2.68	
A6	VELLOOP1024	REUSABLE FASTENER,0.75"W X 1.00"L,LOOP W/ADHESIVE BACK	2	\$1.05	\$2.68	
B1a — B4	SHDASMB4129	SHROUD,ASSY,RED,JAZZY600,MAIN W/CENTER COVER,E-1056-023	1	\$34.65	\$88.36	
B1a	SHDPNTD2465	SHROUD,PAINTED,RED,JAZZY600,MAIN,E-1056-014	1	N/A	N/A	
B1b — B4	SHDASMB4130	SHROUD,ASSY,VIPER BLUE,JAZZY600,MAIN W/CENTER COVER,E-1056-023	1	\$34.65	\$88.36	
B1b	SHDPNTD2469	SHROUD,PAINTED,VIPER BLUE,JAZZY600,MAIN,E-1056-014	1	N/A	N/A	
B1c — B4	SHDASMB4263	SHROUD,ASSY,BLACK,JAZZY600,MAIN W/CENTER COVER,E-1056-023	1	\$34.65	\$88.36	
B1c	SHDPNTD2557	SHROUD,PAINTED,BLACK,JAZZY600,MAIN,E-1056-014	1	N/A	N/A	
B1d — B4	SHDASMB4270	SHROUD,ASSY,CHAMPAGNE,JAZZY600,MAIN W/CENTER COVER,E-1056-023	1	\$34.65	\$88.36	
B1d	SHDPNTD2561	SHROUD,PAINTED,CHAMPAGNE,JAZZY600,MAIN,E-1056-014	1	N/A	N/A	
B1e — B4	SHDASMB4486	SHROUD,ASSY,ORANGE,JAZZY600,MAIN W/CENTER COVER,E-1056-023	1	\$34.65	\$88.36	
B1e	SHDPNTD2674	SHROUD,PAINTED,ORANGE,JAZZY600,MAIN,E-1056-014	1	N/A	N/A	

The parts list is continued on the subsequent pages.

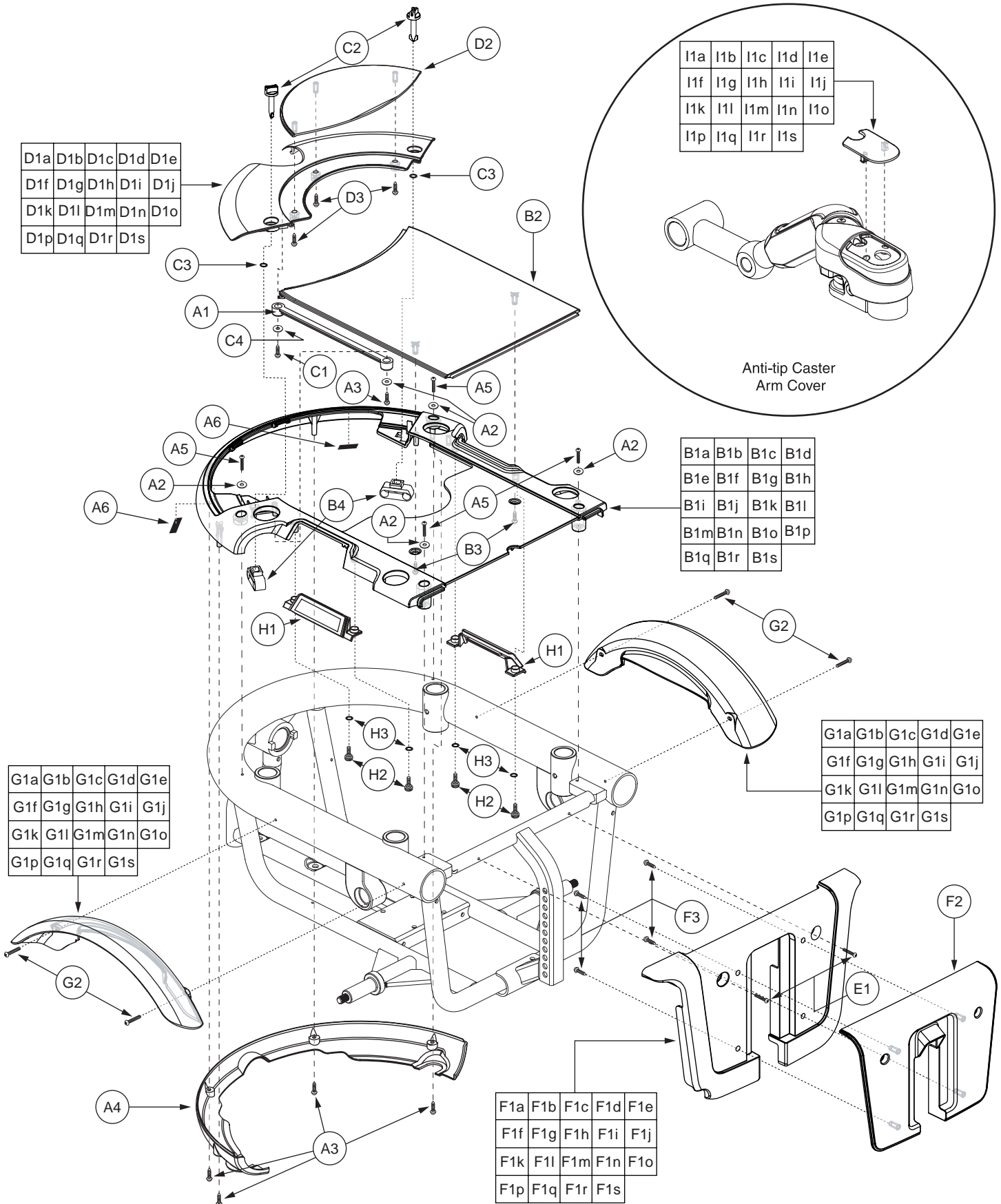


*Note: If an item has no callout, it is being shown for assembly purposes.

The parts list is continued from the previous pages.

REF #	PART #	DESCRIPTION	QTY	Dealer \$	MSRP	11i
B1f — B4	SHDASMB4891	SHROUD,ASSY,SOLAR YELLOW,QUANTUM600,MAIN W/CENTER COVER,E-1056-023	1	\$30.79	\$78.53	
B1f	SHDPNTD2941	SHROUD,PAINTED,SOLAR YELLOW,QUANTUM600,MAIN,E-1056-014	1	N/A	N/A	
B1g — B4	SHDASMB4903	SHROUD,ASSY,CARDINAL RED,QUANTUM600,MAIN W/CENTER COVER,E-1056-023	1	\$30.79	\$78.53	
B1g	SHDPNTD2949	SHROUD,PAINTED,CARDINAL RED,QUANTUM600,MAIN,E-1056-014	1	N/A	N/A	
B1h — B4	SHDASMB4915	SHROUD,ASSY,VIOLET,QUANTUM600,MAIN W/CENTER COVER,E-1056-023	1	\$30.79	\$78.53	
B1h	SHDPNTD2957	SHROUD,PAINTED,VIOLET,MAIN,E-1056-014	1	N/A	N/A	
B1i — B4	SHDASMB4927	SHROUD,ASSY,MARINER BLUE,QUANTUM600,MAIN W/CENTER COVER,E-1056-023	1	\$30.79	\$78.53	
B1i	SHDPNTD2965	SHROUD,PAINTED,MARINER BLUE,QUANTUM600,MAIN,E-1056-014	1	N/A	N/A	
B1j — B4	SHDASMB4939	SHROUD,ASSY,SPRING GREEN,QUANTUM600,MAIN W/CENTER COVER,E-1056-023	1	\$30.79	\$78.53	
B1j	SHDPNTD2973	SHROUD,PAINTED,GATOR GREEN,QUANTUM600,MAIN,E-1056-014	1	N/A	N/A	
B1k — B4	SHDASMB4951	SHROUD,ASSY,PEARL PINK,QUANTUM600,MAIN W/CENTER COVER,E-1056-023	1	\$30.79	\$78.53	
B1k	SHDPNTD2981	SHROUD,PAINTED,PEARL PINK,QUANTUM600,MAIN,E-1056-014	1	N/A	N/A	
B1l — B4	SHDASMB4424	SHROUD,ASSY,CUSTOM,JAZZY600,MAIN W/CENTER COVER	1	N/A	N/A	
B1l	SHDPNTD2641	SHROUD,PAINTED,CUSTOM,JAZZY600,MAIN,E-1056-014	1	N/A	N/A	
B1m — B4	SHDASMB5153	SHROUD,ASSY,TANGERINE,JAZZY600,MAIN W/CENTER COVER,E-1056-023	1	\$30.79	\$78.51	
B1m	SHDPNTD3064	SHROUD,PAINTED,TANGERINE,JAZZY600,MAIN,E-1056-014	1	N/A	N/A	
B1n — B4	SHDASMB5160	SHROUD,ASSY,KELLY GREEN,JAZZY600,MAIN W/CENTER COVER,E-1056-023	1	\$30.79	\$78.51	
B1n	SHDPNTD3069	SHROUD,PAINTED,KELLY GREEN,JAZZY600,MAIN,E-1056-014	1	N/A	N/A	
B1o — B4	SHDASMB5167	SHROUD,ASSY,PEWTER,JAZZY600,MAIN W/CENTER COVER,E-1056-023	1	\$30.79	\$78.51	
B1o	SHDPNTD3074	SHROUD,PAINTED,PEWTER,JAZZY600,MAIN,E-1056-014	1	N/A	N/A	
B1p — B4	SHDASMB5174	SHROUD,ASSY,EMERALD GREEN,JAZZY600,MAIN W/CENTER COVER,E-1056-023	1	\$30.79	\$78.51	
B1p	SHDPNTD3079	SHROUD,PAINTED,EMERALD GREEN,JAZZY600,MAIN,E-1056-014	1	N/A	N/A	
B1q — B4	SHDASMB5181	SHROUD,ASSY,GRAPHITE BLUE,JAZZY600,MAIN W/CENTER COVER,E-1056-023	1	\$30.79	\$78.51	
B1q	SHDPNTD3084	SHROUD,PAINTED,GRAPHITE BLUE,JAZZY600,MAIN,E-1056-014	1	N/A	N/A	
B1r — B4	SHDASMB5188	SHROUD,ASSY,SAPPHIRE BLUE,JAZZY600,MAIN W/CENTER COVER,E-1056-023	1	\$30.79	\$78.51	
B1r	SHDPNTD3089	SHROUD,PAINTED,SAPPHIRE BLUE,JAZZY600,MAIN,E-1056-014	1	N/A	N/A	
B1s — B4	SHDASMB4760	SHROUD,ASSY,SILVER,JAZZY600,MAIN W/CENTER COVER,E-1056-023	1	\$30.79	\$78.51	
B1s	SHDPNTD2868	SHROUD,PAINTED,SILVER,JAZZY600,MAIN,E-1056-014	1	N/A	N/A	
B2	DWR1056E017	SHROUD,CENTER,BLACK,E-1056-017	1	\$3.15	\$8.03	
B3	SCRPPSM1029	SCREW, PPH - SHEET METAL, BLACK ZINC, M4 X 10MM	2	\$1.05	\$2.68	
B4	CLISTL1012	CLIP, SNAP-IN, 0.228"D	2	\$1.05	\$2.68	
C1 — D3	SHDASMB4974	SHROUD,ASSY,RED,QUANTUM600,REAR DOOR,MODIFIED FOR TRU-BALANCE PEDIATRIC TILT,W/MOUNTING HARDWARE	1	\$21.55	\$54.94	
C1 — D3	SHDASMB4975	SHROUD,ASSY,VIPER BLUE,QUANTUM600,REAR DOOR,MODIFIED FOR TRU-BALANCE PEDIATRIC TILT,W/MOUNTING HARDWARE	1	\$21.55	\$54.94	
C1 — D3	SHDASMB4976	SHROUD,ASSY,BLACK,QUANTUM600,REAR DOOR,MODIFIED FOR TRU-BALANCE PEDIATRIC TILT,W/MOUNTING HARDWARE	1	\$21.55	\$54.94	
C1 — D3	SHDASMB4977	SHROUD,ASSY,CHAMPAGNE,QUANTUM600,REAR DOOR,MODIFIED FOR TRU-BALANCE PEDIATRIC TILT,W/MOUNTING HARDWARE	1	\$21.55	\$54.94	
C1 — D3	SHDASMB4979	SHROUD,ASSY,ORANGE,QUANTUM600,REAR DOOR,MODIFIED FOR TRU-BALANCE PEDIATRIC TILT,W/MOUNTING HARDWARE	1	\$21.55	\$54.94	
C1 — D3	SHDASMB4980	SHROUD,ASSY,SOLAR YELLOW,QUANTUM600,REAR DOOR,MODIFIED FOR TRU-BALANCE PEDIATRIC TILT,W/MOUNTING	1	\$21.55	\$54.94	

The parts list is continued on the subsequent pages.

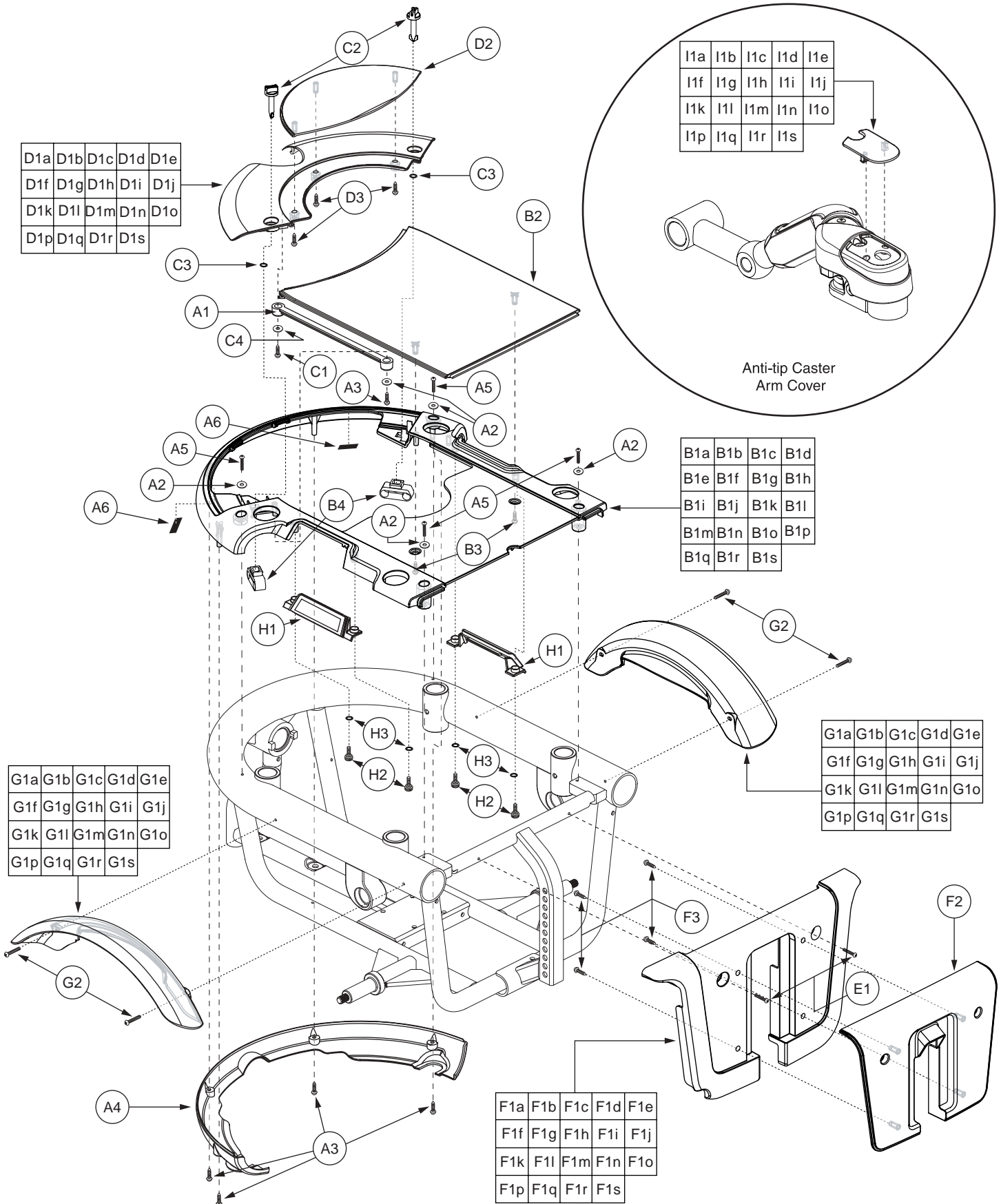


*Note: If an item has no callout, it is being shown for assembly purposes.

The parts list is continued from the previous pages.

REF #	PART #	DESCRIPTION	QTY	Dealer \$	MSRP	11i
		HARDWARE				
C1 — D3	SHDASMB4981	SHROUD,ASSY,CARDINAL RED,QUANTUM600,REAR DOOR,MODIFIED FOR TRU-BALANCE PEDIATRIC TILT,W/MOUNTING HARDWARE	1	\$21.55	\$54.94	
C1 — D3	SHDASMB4982	SHROUD,ASSY,VIOLET,QUANTUM600,REAR DOOR,MODIFIED FOR TRU-BALANCE PEDIATRIC TILT,W/MOUNTING HARDWARE	1	\$21.55	\$54.94	
C1 — D3	SHDASMB4983	SHROUD,ASSY,MARINER BLUE,QUANTUM600,REAR DOOR,MODIFIED FOR TRU-BALANCE PEDIATRIC TILT,W/MOUNTING HARDWARE	1	\$21.55	\$54.94	
C1 — D3	SHDASMB4984	SHROUD,ASSY,SPRING GREEN,QUANTUM600,REAR DOOR,MODIFIED FOR TRU-BALANCE PEDIATRIC TILT,W/MOUNTING HARDWARE	1	\$21.55	\$54.94	
C1 — D3	SHDASMB4985	SHROUD,ASSY,PEARL PINK,QUANTUM600,REAR DOOR,MODIFIED FOR TRU-BALANCE PEDIATRIC TILT,W/MOUNTING HARDWARE	1	\$21.55	\$54.94	
C1 — D3	SHDASMB4978	SHROUD,ASSY,CUSTOM COLOR,QUANTUM600,REAR DOOR,MODIFIED FOR TRU-BALANCE PEDIATRIC TILT,W/MOUNTING HARDWARE	1	N/A	N/A	
C1 — D3	SHDASMB5203	SHROUD,ASSY,TANGERINE,QUANTUM600,REAR DOOR,MODIFIED FOR TRU-BALANCE PEDIATRIC TILT	1	\$21.55	\$54.95	
C1 — D3	SHDASMB5206	SHROUD,ASSY,KELLY GREEN,QUANTUM600,REAR DOOR,MODIFIED FOR TRU-BALANCE PEDIATRIC TILT	1	\$21.55	\$54.95	
C1 — D3	SHDASMB5209	SHROUD,ASSY,PEWTER,QUANTUM600,REAR DOOR,MODIFIED FOR TRU-BALANCE PEDIATRIC TILT	1	\$21.55	\$54.95	
C1 — D3	SHDASMB5212	SHROUD,ASSY,EMERALD GREEN,QUANTUM600,REAR DOOR,MODIFIED FOR TRU-BALANCE PEDIATRIC TILT	1	\$21.55	\$54.95	
C1 — D3	SHDASMB5215	SHROUD,ASSY,GRAPHITE BLUE,QUANTUM600,REAR DOOR,MODIFIED FOR TRU-BALANCE PEDIATRIC TILT	1	\$21.55	\$54.95	
C1 — D3	SHDASMB5218	SHROUD,ASSY,SAPPHIRE BLUE,QUANTUM600,REAR DOOR,MODIFIED FOR TRU-BALANCE PEDIATRIC TILT	1	\$21.55	\$54.95	
C1 — D3	SHDASMB4986	SHROUD,ASSY,SILVER,QUANTUM600,REAR DOOR,MODIFIED FOR TRU-BALANCE PEDIATRIC TILT,W/MOUNTING HARDWARE	1	\$21.55	\$54.94	
C1	SCRPPSM1029	SCREW, PPH - SHEET METAL,BLACK ZINC,M4 X 10MM	1	\$1.05	\$2.68	
C2	CLISTL1013	CLIP,STUD,1"L,STRAIGHT	2	\$1.05	\$2.68	
C3	HWDINDV1000	O RING,BLACK,NEOPRENE,4.2MM ID X 9.0MM OD X 1.90MM TH	2	\$1.05	\$2.68	
C4	WASMETR1042	WASHER,FLAT,BLACK ZINC,4.3MM ID X 12MM OD X 1MM TH,METRIC,GB96-4	1	\$1.05	\$2.68	
D1a — D3	SHDASMB4987	SHROUD,ASSY,RED,QUANTUM600,REAR DOOR,MODIFIED FOR TRU-BALANCE PEDIATRIC TILT	1	\$21.5	\$54.81	
D1a	DWR1056D044A	SHROUD,PAINTED,RED,QUANTUM600,REAR DOOR,MODIFIED FOR TRU-BALANCE PEDIATRIC TILT,D-1056-044	1	N/A	N/A	
D1b — D3	SHDASMB4988	SHROUD,ASSY,VIPER BLUE,QUANTUM600,REAR DOOR,MODIFIED FOR TRU-BALANCE PEDIATRIC TILT	1	\$21.5	\$54.81	
D1b	DWR1056D044B	SHROUD,PAINTED,VIPER BLUE,QUANTUM600,REAR DOOR,MODIFIED FOR TRU-BALANCE PEDIATRIC TILT,D-1056-044	1	N/A	N/A	
D1c — D3	SHDASMB4989	SHROUD,ASSY,BLACK,QUANTUM600,REAR DOOR,MODIFIED FOR TRU-BALANCE PEDIATRIC TILT	1	\$21.5	\$54.81	
D1c	DWR1056D044C	SHROUD,PAINTED,BLACK,QUANTUM600,REAR DOOR,MODIFIED FOR TRU-BALANCE PEDIATRIC TILT,D-1056-044	1	N/A	N/A	
D1d — D3	SHDASMB4990	SHROUD,ASSY,CHAMPAGNE,QUANTUM600,REAR DOOR,MODIFIED FOR TRU-BALANCE PEDIATRIC TILT	1	\$21.5	\$54.81	
D1d	DWR1056D044D	SHROUD,PAINTED,CHAMPAGNE,QUANTUM600,REAR DOOR,MODIFIED FOR TRU-BALANCE PEDIATRIC TILT,D-1056-044	1	N/A	N/A	
D1e — D3	SHDASMB4992	SHROUD,ASSY,ORANGE,QUANTUM600,REAR DOOR,MODIFIED FOR TRU-BALANCE PEDIATRIC TILT	1	\$21.5	\$54.81	
D1e	DWR1056D044F	SHROUD,PAINTED,ORANGE,QUANTUM600,REAR DOOR,MODIFIED FOR TRU-BALANCE PEDIATRIC TILT,D-1056-044	1	N/A	N/A	
D1f — D3	SHDASMB4993	SHROUD,ASSY,SOLAR YELLOW,QUANTUM600,REAR DOOR,MODIFIED FOR TRU-BALANCE PEDIATRIC TILT	1	\$21.5	\$54.81	
D1f	DWR1056D044G	SHROUD,PAINTED,SOLAR YELLOW,QUANTUM600,REAR DOOR,MODIFIED FOR TRU-BALANCE PEDIATRIC TILT,D-1056-044	1	N/A	N/A	
D1g — D3	SHDASMB4994	SHROUD,ASSY,CARDINAL RED,QUANTUM600,REAR DOOR,MODIFIED FOR TRU-BALANCE PEDIATRIC TILT	1	\$21.5	\$54.81	

The parts list is continued on the subsequent pages.

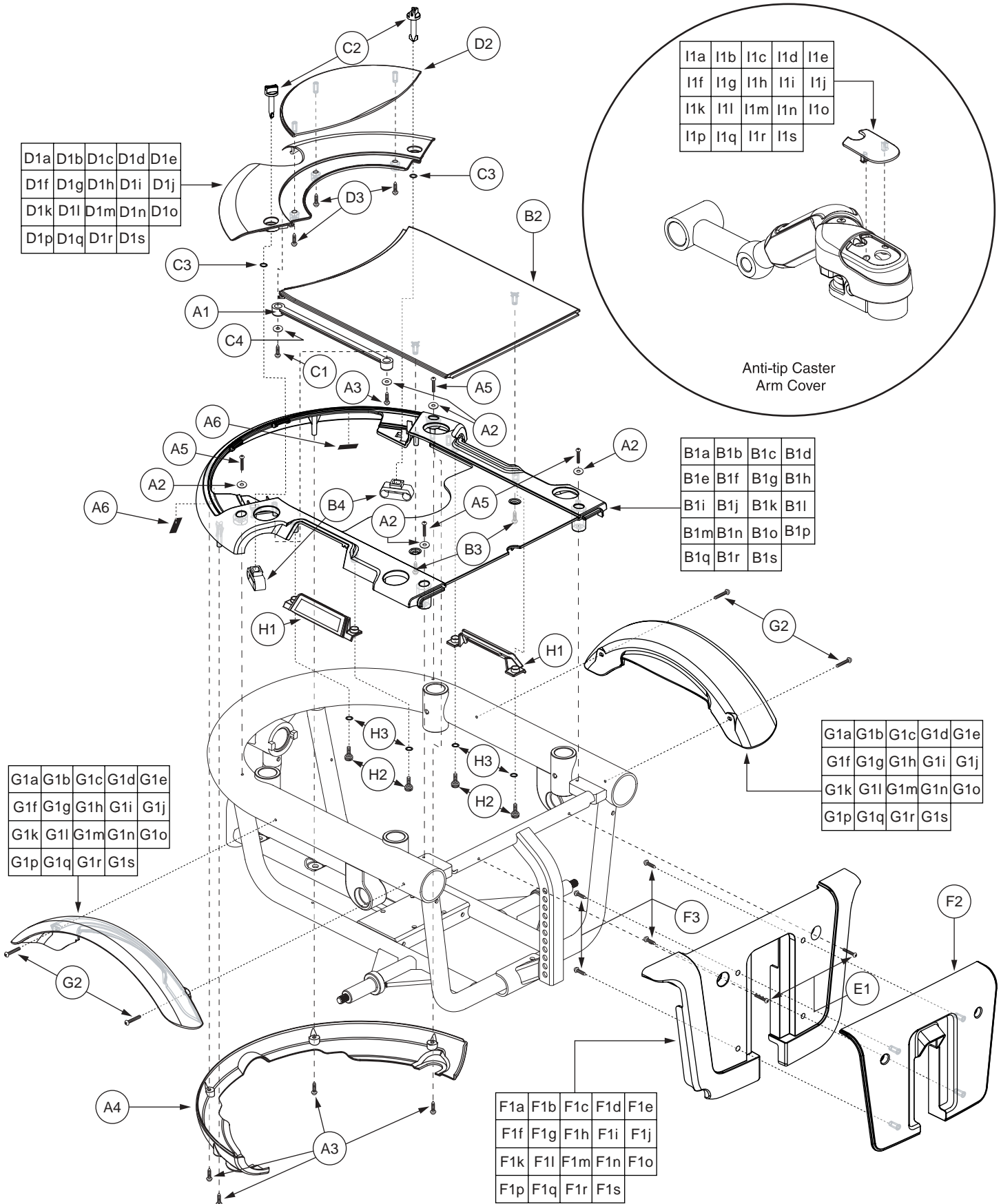


*Note: If an item has no callout, it is being shown for assembly purposes.

The parts list is continued from the previous pages.

REF #	PART #	DESCRIPTION	QTY	Dealer \$	MSRP	11i
D1g	DWR1056D044H	SHROUD,PAINTED,CARDINAL RED,QUANTUM600,REAR DOOR,MODIFIED FOR TRU-BALANCE PEDIATRIC TILT,D-1056-044	1	N/A	N/A	
D1h — D3	SHDASMB4995	SHROUD,ASSY,VIOLET,QUANTUM600,REAR DOOR,MODIFIED FOR TRU-BALANCE PEDIATRIC TILT	1	\$21.5	\$54.81	
D1h	DWR1056D044I	SHROUD,PAINTED,VIOLET,QUANTUM600,REAR DOOR,MODIFIED FOR TRU-BALANCE PEDIATRIC TILT,D-1056-044	1	N/A	N/A	
D1i — D3	SHDASMB4996	SHROUD,ASSY,MARINER BLUE,QUANTUM600,REAR DOOR,MODIFIED FOR TRU-BALANCE PEDIATRIC TILT	1	\$21.5	\$54.81	
D1i	DWR1056D044J	SHROUD,PAINTED,MARINER BLUE,QUANTUM600,REAR DOOR,MODIFIED FOR TRU-BALANCE PEDIATRIC TILT,D-1056-044	1	N/A	N/A	
D1j — D3	SHDASMB4997	SHROUD,ASSY,SPRING GREEN,QUANTUM600,REAR DOOR,MODIFIED FOR TRU-BALANCE PEDIATRIC TILT	1	\$21.5	\$54.81	
D1j	DWR1056D044K	SHROUD,PAINTED,SPRING GREEN,QUANTUM600,REAR DOOR,MODIFIED FOR TRU-BALANCE PEDIATRIC TILT,D-1056-044	1	N/A	N/A	
D1k — D3	SHDASMB4998	SHROUD,ASSY,PEARL PINK,QUANTUM600,REAR DOOR,MODIFIED FOR TRU-BALANCE PEDIATRIC TILT	1	\$21.5	\$54.81	
D1k	DWR1056D044L	SHROUD,PAINTED,PEARL PINK,QUANTUM600,REAR DOOR,MODIFIED FOR TRU-BALANCE PEDIATRIC TILT,D-1056-044	1	N/A	N/A	
D1l — D3	SHDASMB4991	SHROUD,ASSY,CUSTOM COLOR,QUANTUM600,REAR DOOR,MODIFIED FOR TRU-BALANCE PEDIATRIC TILT	1	N/A	N/A	
D1l	DWR1056D044E	SHROUD,PAINTED,CUSTOM,QUANTUM600,REAR DOOR,MODIFIED FOR TRU-BALANCE PEDIATRIC TILT,D-1056-044	1	N/A	N/A	
D1m — D3	SHDASMB5204	SHROUD,ASSY,TANGERINE,QUANTUM600,REAR DOOR,MODIFIED FOR TRU-BALANCE PEDIATRIC TILT,W/MOUNTING HARDWARE	1	\$21.55	\$54.95	
D1m	DWR1056D044N	SHROUD,PAINTED,TANGERINE,QUANTUM600,REAR DOOR,MODIFIED FOR TRU-BALANCE PEDIATRIC TILT,D-1056-044	1	N/A	N/A	
D1n — D3	SHDASMB5207	SHROUD,ASSY,KELLY GREEN,QUANTUM600,REAR DOOR,MODIFIED FOR TRU-BALANCE PEDIATRIC TILT,W/MOUNTING HARDWARE	1	\$21.55	\$54.95	
D1n	DWR1056D044O	SHROUD,PAINTED,KELLY GREEN,QUANTUM600,REAR DOOR,MODIFIED FOR TRU-BALANCE PEDIATRIC TILT,D-1056-044	1	N/A	N/A	
D1o — D3	SHDASMB5210	SHROUD,ASSY,PEWTER,QUANTUM600,REAR DOOR,MODIFIED FOR TRU-BALANCE PEDIATRIC TILT,W/MOUNTING HARDWARE	1	\$21.55	\$54.95	
D1o	DWR1056D044P	SHROUD,PAINTED,PEWTER,QUANTUM600,REAR DOOR,MODIFIED FOR TRU-BALANCE PEDIATRIC TILT,D-1056-044	1	N/A	N/A	
D1p — D3	SHDASMB5213	SHROUD,ASSY,EMERALD GREEN,QUANTUM600,REAR DOOR,MODIFIED FOR TRU-BALANCE PEDIATRIC TILT,W/MOUNTING HARDWARE	1	\$21.55	\$54.95	
D1p	DWR1056D044Q	SHROUD,PAINTED,EMERALD GREEN,QUANTUM600,REAR DOOR,MODIFIED FOR TRU-BALANCE PEDIATRIC TILT,D-1056-044	1	N/A	N/A	
D1q — D3	SHDASMB5216	SHROUD,ASSY,GRAPHITE BLUE,QUANTUM600,REAR DOOR,MODIFIED FOR TRU-BALANCE PEDIATRIC TILT,W/MOUNTING HARDWARE	1	\$21.55	\$54.95	
D1q	DWR1056D044R	SHROUD,PAINTED,GRAPHITE BLUE,QUANTUM600,REAR DOOR,MODIFIED FOR TRU-BALANCE PEDIATRIC TILT,D-1056-044	1	N/A	N/A	
D1r — D3	SHDASMB5219	SHROUD,ASSY,SAPPHIRE BLUE,QUANTUM600,REAR DOOR,MODIFIED FOR TRU-BALANCE PEDIATRIC TILT,W/MOUNTING HARDWARE	1	\$21.55	\$54.95	
D1r	DWR1056D044S	SHROUD,PAINTED,SAPPHIRE BLUE,QUANTUM600,REAR DOOR,MODIFIED FOR TRU-BALANCE PEDIATRIC TILT,D-1056-044	1	N/A	N/A	
D1s — D3	SHDASMB4999	SHROUD,ASSY,SILVER,QUANTUM600,REAR DOOR,MODIFIED FOR TRU-BALANCE PEDIATRIC TILT	1	\$21.5	\$54.81	
D1s	DWR1056D044M	SHROUD,PAINTED,SILVER,QUANTUM600,REAR DOOR,MODIFIED FOR TRU-BALANCE PEDIATRIC TILT,D-1056-044	1	N/A	N/A	
D2	DWR1056E013	SHROUD,REAR DOOR,BLACK,E-1056-013	1	\$1.05	\$2.68	
D3	SCRPPSM1029	SCREW, PPH - SHEET METAL,BLACK ZINC,M4 X 10MM	3	\$1.05	\$2.68	
E1 — F3	SHDASMB4083	SHROUD,ASSY,RED,JAZZY600,FOOTREST	1	\$18.9	\$48.2	
E1 — F3	SHDASMB4087	SHROUD,ASSY,VIPER BLUE,JAZZY600,FOOTREST	1	\$18.9	\$48.2	
E1 — F3	SHDASMB4266	SHROUD,ASSY,BLACK,JAZZY600,FOOTREST	1	\$18.9	\$48.2	
E1 — F3	SHDASMB4273	SHROUD,ASSY,CHAMPAGNE,JAZZY600,FOOTREST	1	\$18.9	\$48.2	
E1 — F3	SHDASMB4489	SHROUD,ASSY,ORANGE,JAZZY600,FOOTREST	1	\$18.9	\$48.2	
E1 — F3	SHDASMB4894	SHROUD,ASSY,SOLAR YELLOW,QUANTUM600,FOOTREST	1	\$16.28	\$41.51	

The parts list is continued on the subsequent pages.

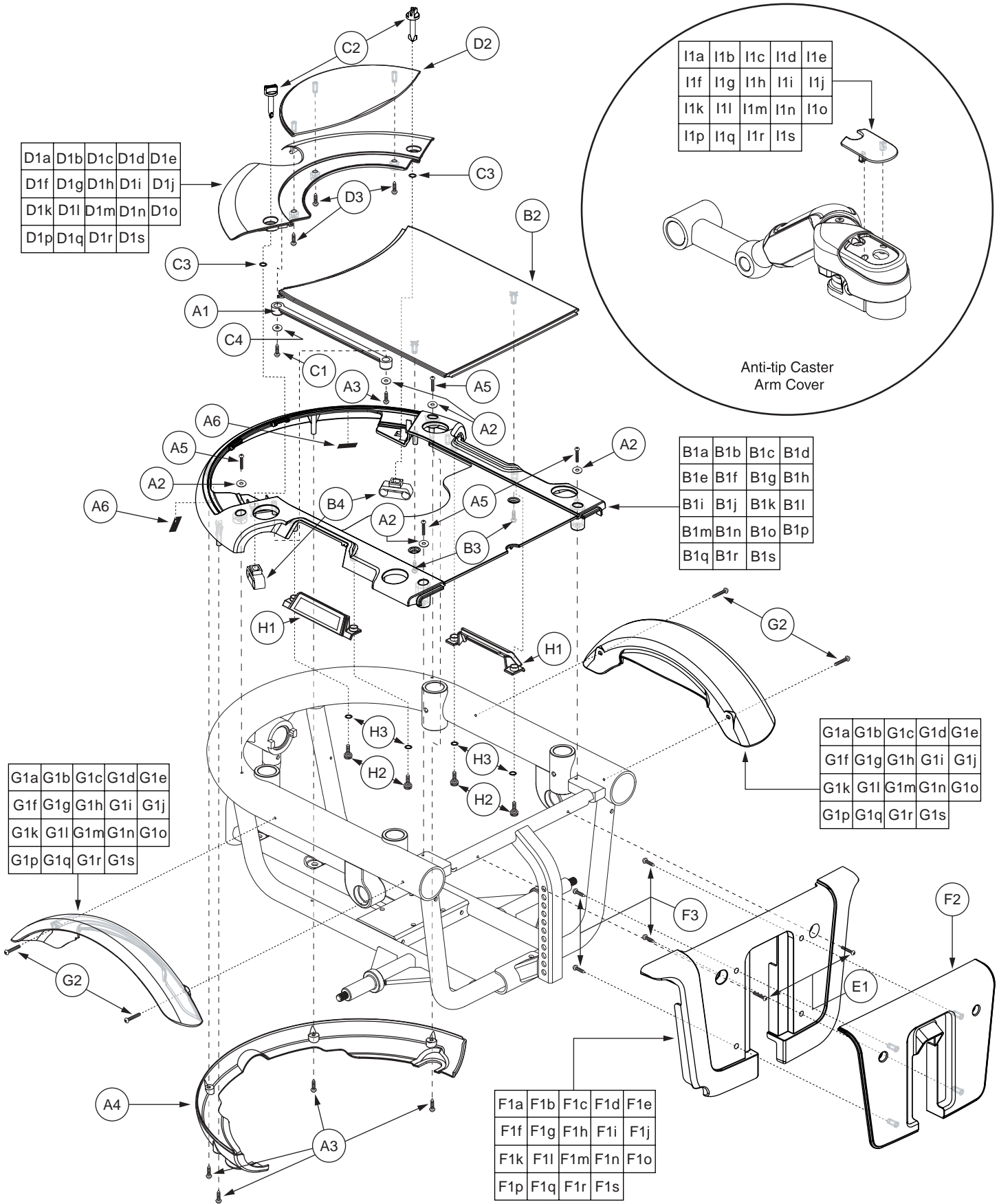


**Note: If an item has no callout, it is being shown for assembly purposes.*

The parts list is continued from the previous pages.

REF #	PART #	DESCRIPTION	QTY	Dealer \$	MSRP	11i
E1 — F3	SHDASMB4906	SHROUD,ASSY,CARDINAL RED,QUANTUM600,FOOTREST	1	\$16.28	\$41.51	
E1 — F3	SHDASMB4918	SHROUD,ASSY,VIOLET,QUANTUM600,FOOTREST	1	\$16.28	\$41.51	
E1 — F3	SHDASMB4930	SHROUD,ASSY,MARINER BLUE,QUANTUM600,FOOTREST	1	\$16.28	\$41.51	
E1 — F3	SHDASMB4942	SHROUD,ASSY,SPRING GREEN,QUANTUM600,FOOTREST	1	\$16.28	\$41.51	
E1 — F3	SHDASMB4954	SHROUD,ASSY,PEARL PINK,QUANTUM600,FOOTREST	1	\$16.28	\$41.51	
E1 — F3	SHDASMB4427	SHROUD,ASSY,CUSTOM,JAZZY600,FOOTREST	1	N/A	N/A	
E1 — F3	SHDASMB5156	SHROUD,ASSY,TANGERINE,JAZZY600,FOOTREST	1	\$18.9	\$48.2	
E1 — F3	SHDASMB5163	SHROUD,ASSY,KELLY GREEN,JAZZY600,FOOTREST	1	\$18.9	\$48.2	
E1 — F3	SHDASMB5170	SHROUD,ASSY,PEWTER,JAZZY600,FOOTREST	1	\$18.9	\$48.2	
E1 — F3	SHDASMB5177	SHROUD,ASSY,EMERALD GREEN,JAZZY600,FOOTREST	1	\$18.9	\$48.2	
E1 — F3	SHDASMB5184	SHROUD,ASSY,GRAPHITE BLUE,JAZZY600,FOOTREST	1	\$18.9	\$48.2	
E1 — F3	SHDASMB5191	SHROUD,ASSY,SAPPHIRE BLUE,JAZZY600,FOOTREST	1	\$18.9	\$48.2	
E1 — F3	SHDASMB4763	SHROUD,ASSY,SILVER,JAZZY600,FOOTREST	1	\$18.9	\$48.2	
E1	SCRPPH1153	SCREW,PPH,BLACK ZINC,M4-.7 X 20MM	2	\$1.05	\$2.68	
F1a — F3	SHDASMB4127	SHROUD,ASSY,RED,JAZZY600,FOOTREST,E-1056-022	1	\$18.9	\$48.2	
F1a	SHDPNTD2467	SHROUD,PAINTED,RED,JAZZY600,FOOTREST,E-1056-016	1	N/A	N/A	
F1b — F3	SHDASMB4128	SHROUD,ASSY,VIPER BLUE,JAZZY600,FOOTREST,E-1056-022	1	\$18.9	\$48.2	
F1b	SHDPNTD2471	SHROUD,PAINTED,VIPER BLUE,JAZZY600,FOOTREST,E-1056-016	1	N/A	N/A	
F1c — F3	SHDASMB4267	SHROUD,ASSY,BLACK,JAZZY600,FOOTREST,E-1056-022	1	\$18.9	\$48.2	
F1c	SHDPNTD2559	SHROUD,PAINTED,BLACK,JAZZY600,FOOTREST,E-1056-016	1	N/A	N/A	
F1d — F3	SHDASMB4274	SHROUD,ASSY,CHAMPAGNE,JAZZY600,FOOTREST,E-1056-022	1	\$18.9	\$48.2	
F1d	SHDPNTD2563	SHROUD,PAINTED,CHAMPAGNE,JAZZY600,FOOTREST,E-1056-016	1	N/A	N/A	
F1e — F3	SHDASMB4490	SHROUD,ASSY,ORANGE,JAZZY600,FOOTREST,E-1056-022	1	\$18.9	\$48.2	
F1e	SHDPNTD2676	SHROUD,PAINTED,ORANGE,JAZZY600,FOOTREST,E-1056-016	1	N/A	N/A	
F1f — F3	SHDASMB4895	SHROUD,ASSY,SOLAR YELLOW,QUANTUM600,FOOTREST,E-1056-022	1	\$16.28	\$41.51	
F1f	SHDPNTD2943	SHROUD,PAINTED,SOLAR YELLOW,QUANTUM600,FOOTREST,E-1056-016	1	N/A	N/A	
F1g — F3	SHDASMB4907	SHROUD,ASSY,CARDINAL RED,QUANTUM600,FOOTREST,E-1056-022	1	\$16.28	\$41.51	
F1g	SHDPNTD2951	SHROUD,PAINTED,CARDINAL RED,QUANTUM600,FOOTREST,E-1056-016	1	N/A	N/A	
F1h — F3	SHDASMB4919	SHROUD,ASSY,VIOLET,QUANTUM600,FOOTREST,E-1056-022	1	\$16.28	\$41.51	
F1h	SHDPNTD2959	SHROUD,PAINTED,VIOLET,QUANTUM600,FOOTREST,E-1056-016	1	N/A	N/A	
F1i — F3	SHDASMB4931	SHROUD,ASSY,MARINER BLUE,QUANTUM600,FOOTREST,E-1056-022	1	\$16.28	\$41.51	
F1i	SHDPNTD2967	SHROUD,PAINTED,MARINER BLUE,QUANTUM600,FOOTREST,E-1056-016	1	N/A	N/A	
F1j — F3	SHDASMB4943	SHROUD,ASSY,SPRING GREEN,QUANTUM600,FOOTREST,E-1056-022	1	\$16.28	\$41.51	
F1j	SHDPNTD2975	SHROUD,PAINTED,SPRING GREEN,QUANTUM600,FOOTREST,E-1056-016	1	N/A	N/A	
F1k — F3	SHDASMB4955	SHROUD,ASSY,PEARL PINK,QUANTUM600,FOOTREST,E-1056-022	1	\$16.28	\$41.51	
F1k	SHDPNTD2983	SHROUD,PAINTED,PEARL PINK,QUANTUM600,FOOTREST,E-1056-016	1	N/A	N/A	
F1l — F3	SHDASMB4428	SHROUD,ASSY,CUSTOM,JAZZY600,FOOTREST,E-1056-022	1	N/A	N/A	
F1l	SHDPNTD2643	SHROUD,PAINTED,CUSTOM,JAZZY600,FOOTREST,E-1056-016	1	N/A	N/A	
F1m — F3	SHDASMB5157	SHROUD,ASSY,TANGERINE,JAZZY600,FOOTREST,E-1056-022	1	\$18.9	\$48.2	
F1m	SHDPNTD3066	SHROUD,PAINTED,TANGERINE,JAZZY600,FOOTREST,E-1056-016	1	N/A	N/A	
F1n — F3	SHDASMB5164	SHROUD,ASSY,KELLY GREEN,JAZZY600,FOOTREST,E-1056-022	1	\$18.9	\$48.2	
F1n	SHDPNTD3071	SHROUD,PAINTED,KELLY GREEN,JAZZY600,FOOTREST,E-1056-016	1	N/A	N/A	

The parts list is continued on the subsequent pages.



D1a	D1b	D1c	D1d	D1e
D1f	D1g	D1h	D1i	D1j
D1k	D1l	D1m	D1n	D1o
D1p	D1q	D1r	D1s	

I1a	I1b	I1c	I1d	I1e
I1f	I1g	I1h	I1i	I1j
I1k	I1l	I1m	I1n	I1o
I1p	I1q	I1r	I1s	

Anti-tip Caster Arm Cover

B1a	B1b	B1c	B1d
B1e	B1f	B1g	B1h
B1i	B1j	B1k	B1l
B1m	B1n	B1o	B1p
B1q	B1r	B1s	

G1a	G1b	G1c	G1d	G1e
G1f	G1g	G1h	G1i	G1j
G1k	G1l	G1m	G1n	G1o
G1p	G1q	G1r	G1s	

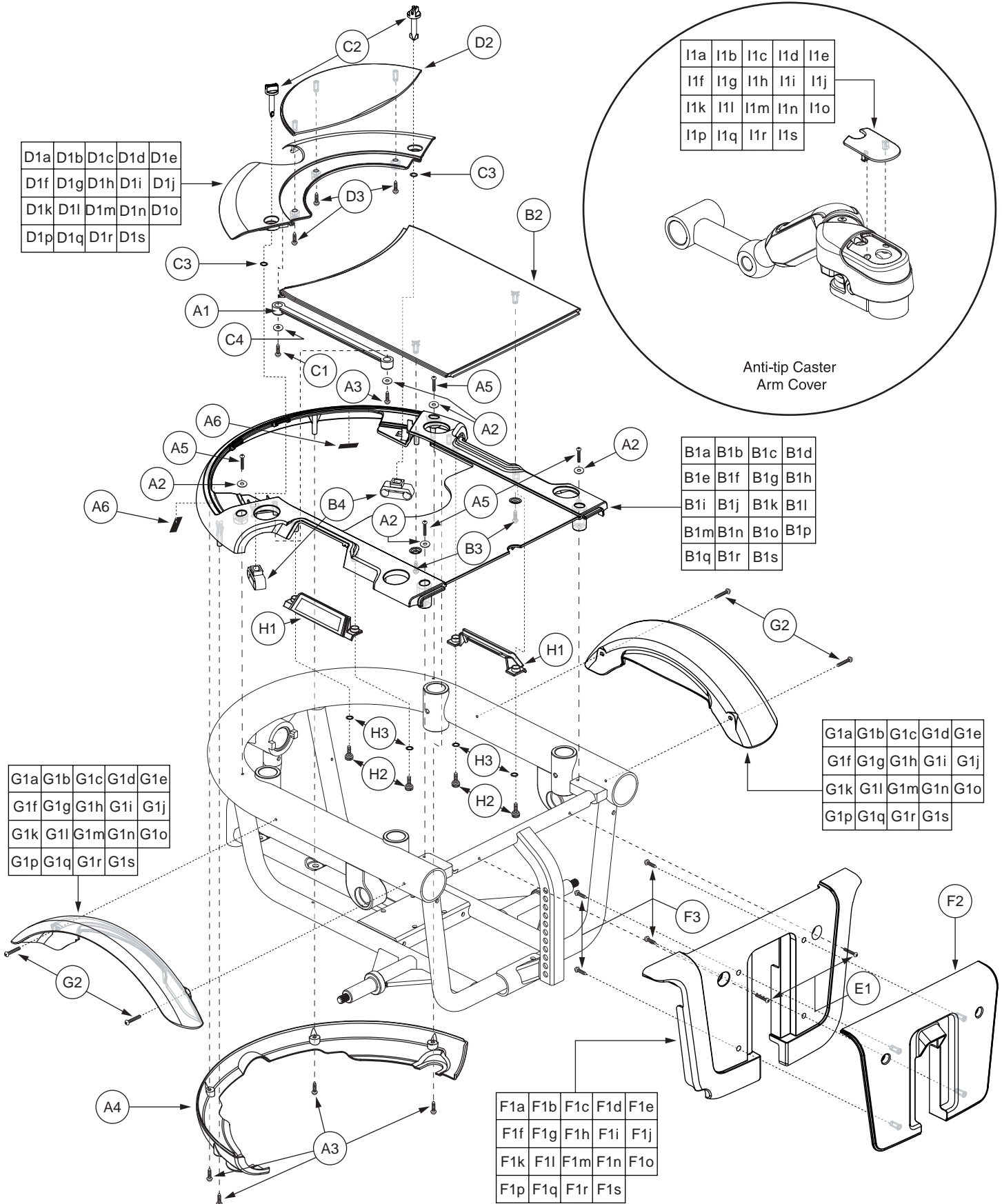
G1a	G1b	G1c	G1d	G1e
G1f	G1g	G1h	G1i	G1j
G1k	G1l	G1m	G1n	G1o
G1p	G1q	G1r	G1s	

F1a	F1b	F1c	F1d	F1e
F1f	F1g	F1h	F1i	F1j
F1k	F1l	F1m	F1n	F1o
F1p	F1q	F1r	F1s	

The parts list is continued from the previous pages.

REF #	PART #	DESCRIPTION	QTY	Dealer \$	MSRP	11i
F1o — F3	SHDASMB5171	SHROUD,ASSY,PEWTER,JAZZY600,FOOTREST,E-1056-022	1	\$18.9	\$48.2	
F1o	SHDPNTD3076	SHROUD,PAINTED,PEWTER,JAZZY600,FOOTREST,E-1056-016	1	N/A	N/A	
F1p — F3	SHDASMB5178	SHROUD,ASSY,EMERALD GREEN,JAZZY600,FOOTREST,E-1056-022	1	\$18.9	\$48.2	
F1p	SHDPNTD3081	SHROUD,PAINTED,EMERALD GREEN,JAZZY600,FOOTREST,E-1056-016	1	N/A	N/A	
F1q — F3	SHDASMB5185	SHROUD,ASSY,GRAPHITE BLUE,JAZZY600,FOOTREST,E-1056-022	1	\$18.9	\$48.2	
F1q	SHDPNTD3086	SHROUD,PAINTED,GRAPHITE BLUE,JAZZY600,FOOTREST,E-1056-016	1	N/A	N/A	
F1r — F3	SHDASMB5192	SHROUD,ASSY,SAPPHIRE BLUE,JAZZY600,FOOTREST,E-1056-022	1	\$18.9	\$48.2	
F1r	SHDPNTD3091	SHROUD,PAINTED,SAPPHIRE BLUE,JAZZY600,FOOTREST,E-1056-016	1	N/A	N/A	
F1s — F3	SHDASMB4764	SHROUD,ASSY,SILVER,JAZZY600,FOOTREST,E-1056-022	1	\$18.9	\$48.2	
F1s	SHDPNTD2870	SHROUD,PAINTED,SILVER,JAZZY600,FOOTREST,E-1056-016	1	N/A	N/A	
F2	DWR1056E015	SHROUD,FRONT DOOR,BLACK,E-1056-015	1	\$4.2	\$10.71	
F3	SCRPPSM1029	SCREW, PPH - SHEET METAL, BLACK ZINC, M4 X 10MM	4	\$1.05	\$2.68	
G1a — G2	SHDASMB4084	SHROUD,ASSY,RED,JAZZY600,FENDER	2	\$12.6	\$32.13	
G1a	SHDPNTD2468	SHROUD,PAINTED,RED,JAZZY600,FENDER,E-1056-008	1	N/A	N/A	
G1b — G2	SHDASMB4088	SHROUD,ASSY,VIPER BLUE,JAZZY600,FENDER	2	\$12.6	\$32.13	
G1b	SHDPNTD2472	SHROUD,PAINTED,VIPER BLUE,JAZZY600,FENDER,E-1056-008	1	N/A	N/A	
G1c — G2	SHDASMB4268	SHROUD,ASSY,BLACK,JAZZY600,FENDER	2	\$12.6	\$32.13	
G1c	SHDPNTD2560	SHROUD,PAINTED,BLACK,JAZZY600,FENDER,E-1056-008	1	N/A	N/A	
G1d — G2	SHDASMB4275	SHROUD,ASSY,CHAMPAGNE,JAZZY600,FENDER	2	\$12.6	\$32.13	
G1d	SHDPNTD2564	SHROUD,PAINTED,CHAMPAGNE,JAZZY600,FENDER,E-1056-008	1	N/A	N/A	
G1e — G2	SHDASMB4491	SHROUD,ASSY,ORANGE,JAZZY600,FENDER	2	\$12.6	\$32.13	
G1e	SHDPNTD2677	SHROUD,PAINTED,ORANGE,JAZZY600,FENDER,E-1056-008	1	N/A	N/A	
G1f — G2	SHDASMB4896	SHROUD,ASSY,SOLAR YELLOW,QUANTUM600,FENDER	2	\$19.61	\$49.99	
G1f	SHDPNTD2944	SHROUD,PAINTED,SOLAR YELLOW,QUANTUM600,FENDER,E-1056-008	1	N/A	N/A	
G1g — G2	SHDASMB4908	SHROUD,ASSY,CARDINAL RED,QUANTUM600,FENDER	2	\$19.61	\$49.99	
G1g	SHDPNTD2952	SHROUD,PAINTED,CARDINAL RED,QUANTUM600,FENDER,E-1056-008	1	N/A	N/A	
G1h — G2	SHDASMB4920	SHROUD,ASSY,VIOLET,QUANTUM600,FENDER	2	\$19.61	\$49.99	
G1h	SHDPNTD2960	SHROUD,PAINTED,VIOLET,QUANTUM600,FENDER,E-1056-008	1	N/A	N/A	
G1i — G2	SHDASMB4932	SHROUD,ASSY,MARINER BLUE,QUANTUM600,FENDER	2	\$19.61	\$49.99	
G1i	SHDPNTD2968	SHROUD,PAINTED,MARINER BLUE,QUANTUM600,FENDER,E-1056-008	1	N/A	N/A	
G1j — G2	SHDASMB4944	SHROUD,ASSY,SPRING GREEN,QUANTUM600,FENDER	2	\$19.61	\$49.99	
G1j	SHDPNTD2976	SHROUD,PAINTED,SPRING GREEN,QUANTUM600,FENDER,E-1056-008	1	N/A	N/A	
G1k — G2	SHDASMB4956	SHROUD,ASSY,PEARL PINK,QUANTUM600,FENDER	2	\$19.61	\$49.99	
G1k	SHDPNTD2984	SHROUD,PAINTED,PEARL PINK,QUANTUM600,FENDER,E-1056-008	1	N/A	N/A	
G1l — G2	SHDASMB4429	SHROUD,ASSY,CUSTOM,JAZZY600,FENDER	2	N/A	N/A	
G1l	SHDPNTD2644	SHROUD,PAINTED,CUSTOM,JAZZY600,FENDER,E-1056-008	1	N/A	N/A	
G1m — G2	SHDASMB5158	SHROUD,ASSY,TANGERINE,JAZZY600,FENDER	2	\$19.61	\$50.01	
G1m	SHDPNTD3067	SHROUD,PAINTED,TANGERINE,JAZZY600,FENDER,E-1056-008	1	N/A	N/A	
G1n — G2	SHDASMB5165	SHROUD,ASSY,KELLY GREEN,JAZZY600,FENDER	2	\$19.61	\$50.01	
G1n	SHDPNTD3072	SHROUD,PAINTED,KELLY GREEN,JAZZY600,FENDER,E-1056-008	1	N/A	N/A	
G1o — G2	SHDASMB5172	SHROUD,ASSY,PEWTER,JAZZY600,FENDER	2	\$19.61	\$50.01	
G1o	SHDPNTD3077	SHROUD,PAINTED,PEWTER,JAZZY600,FENDER,E-1056-008	1	N/A	N/A	
G1p — G2	SHDASMB5179	SHROUD,ASSY,EMERALD GREEN,JAZZY600,FENDER	2	\$19.61	\$50.01	

The parts list is continued on the subsequent pages.

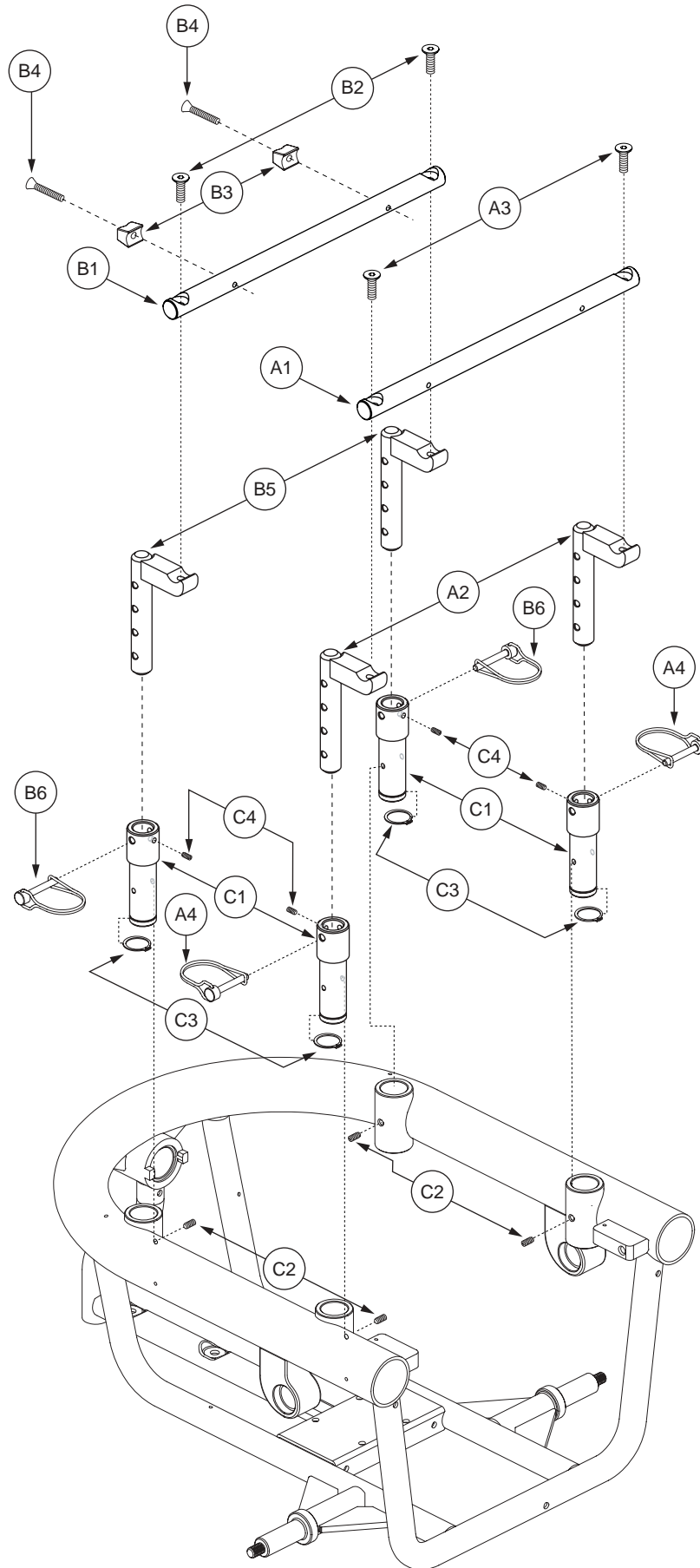


The parts list is continued from the previous pages.

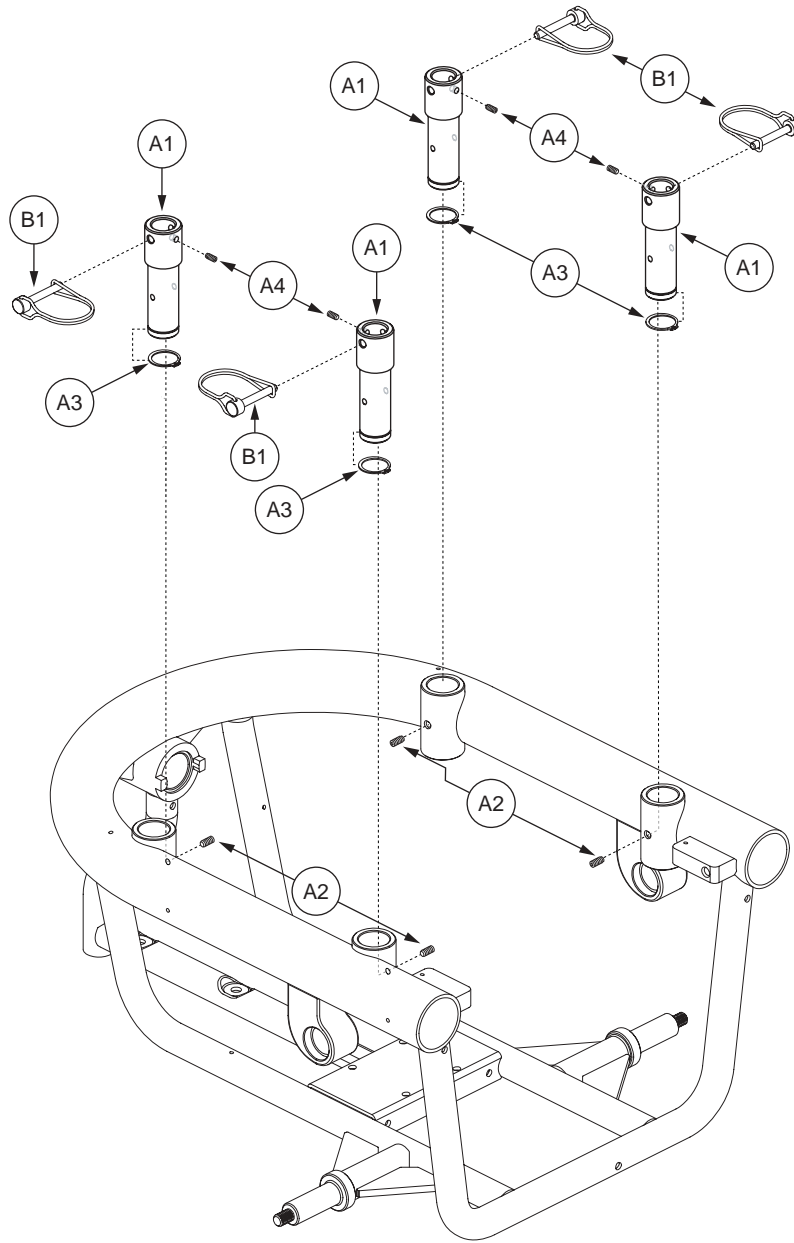
REF #	PART #	DESCRIPTION	QTY	Dealer \$	MSRP	11i
G1p	SHDPNTD3082	SHROUD,PAINTED,EMERALD GREEN,JAZZY600,FENDER,E-1056-008	1	N/A	N/A	
G1q — G2	SHDASMB5186	SHROUD,ASSY,GRAPHITE BLUE,JAZZY600,FENDER	2	\$19.61	\$50.01	
G1q	SHDPNTD3087	SHROUD,PAINTED,GRAPHITE BLUE,JAZZY600,FENDER,E-1056-008	1	N/A	N/A	
G1r — G2	SHDASMB5193	SHROUD,ASSY,SAPPHIRE BLUE,JAZZY600,FENDER	2	\$19.61	\$50.01	
G1r	SHDPNTD3092	SHROUD,PAINTED,SAPPHIRE BLUE,JAZZY600,FENDER,E-1056-008	1	N/A	N/A	
G1s — G2	SHDASMB4765	SHROUD,ASSY,SILVER,JAZZY600,FENDER	2	\$19.61	\$50.01	
G1s	SHDPNTD2871	SHROUD,PAINTED,SILVER,JAZZY600,FENDER,E-1056-008	1	N/A	N/A	
G2	SCRPPH1163	SCREW,PPH,BLACK ZINC,M4-.7 X 10MM	2	\$1.05	\$2.68	
H1 — H3	ELEASMB4269	ELECTRONIC,ASSY,BLANK PANEL	2	\$1.05	\$2.68	
H1	DWR1054C006	COVER,BLANK,JET,C-1054-006	1	\$1.05	\$2.68	
H2	PLSKNCP1047	KNOB,PLASTIC,M4-.7 x 12MM,KNURLED HEAD,C-1054-034	2	\$1.05	\$2.68	
H3	WASNEOP1003	WASHER,BLACK,NEOPRENE,3.20MM ID X 7.00MM OD X 1.90MM TH,O-RING	2	\$1.05	\$2.68	
*I1a	SHDPNTD2629	SHROUD,PAINTED,RED,JAZZY600,CASTER ARM COVER,D-1056-031	2	\$13.65	\$34.81	
*I1b	SHDPNTD2630	SHROUD,PAINTED,VIPER BLUE,JAZZY600,CASTER ARM COVER,D-1056-031	2	\$11.97	\$30.52	
*I1c	SHDPNTD2631	SHROUD,PAINTED,BLACK,JAZZY600,CASTER ARM COVER,D-1056-031	2	\$13.65	\$34.81	
*I1d	SHDPNTD2632	SHROUD,PAINTED,CHAMPAGNE,JAZZY600,CASTER ARM COVER,D-1056-031	2	\$13.65	\$34.81	
*I1e	SHDPNTD2678	SHROUD,PAINTED,ORANGE,JAZZY600,CASTER ARM COVER,D-1056-031	2	\$13.65	\$34.81	
*I1f	SHDPNTD2945	SHROUD,PAINTED,SOLAR YELLOW,QUANTUM600,CASTER ARM COVER,D-1056-031	2	\$13.65	\$34.81	
*I1g	SHDPNTD2953	SHROUD,PAINTED,CARDINAL RED,QUANTUM600,CASTER ARM COVER,D-1056-031	2	\$13.65	\$34.81	
*I1h	SHDPNTD2961	SHROUD,PAINTED,VIOLET,QUANTUM600,CASTER ARM COVER,D-1056-031	2	\$13.65	\$34.81	
*I1i	SHDPNTD2969	SHROUD,PAINTED,MARINER BLUE,QUANTUM600,CASTER ARM COVER,D-1056-031	2	\$13.65	\$34.81	
*I1j	SHDPNTD2977	SHROUD,PAINTED,SPRING GREEN,QUANTUM600,CASTER ARM COVER,D-1056-031	2	\$13.65	\$34.81	
*I1k	SHDPNTD2985	SHROUD,PAINTED,PEARL PINK,QUANTUM600,CASTER ARM COVER,D-1056-031	2	\$13.65	\$34.81	
*I1l	SHDPNTD2645	SHROUD,PAINTED,CUSTOM,JAZZY600,CASTER ARM,D-1056-031	2	N/A	N/A	
*I1m	SHDPNTD3068	SHROUD,PAINTED,TANGERINE,JAZZY600,CASTER ARM COVER,D-1056-031	2	\$13.65	\$34.81	
*I1n	SHDPNTD3073	SHROUD,PAINTED,KELLY GREEN,JAZZY610,CASTER ARM COVER,D-1056-031	2	\$13.65	\$34.81	
*I1o	SHDPNTD3078	SHROUD,PAINTED,PEWTER,JAZZY600,CASTER ARM COVER,D-1056-031	2	\$13.65	\$34.81	
*I1p	SHDPNTD3083	SHROUD,PAINTED,EMERALD GREEN,JAZZY610,CASTER ARM COVER,D-1056-031	2	\$13.65	\$34.81	
*I1q	SHDPNTD3088	SHROUD,PAINTED,GRAPHITE BLUE,JAZZY600,CASTER ARM COVER,D-1056-031	2	\$13.65	\$34.81	
*I1r	SHDPNTD3093	SHROUD,PAINTED,SAPPHIRE BLUE,JAZZY600,CASTER ARM COVER,D-1056-031	2	\$13.65	\$34.81	
*I1s	SHDPNTD2872	SHROUD,PAINTED,SILVER,JAZZY600,CASTER ARM COVER,D-1056-031	2	\$13.65	\$34.81	

Notes :

Custom color option available. Please contact Pride Technical Service for more information. Top-level assemblies will include components designated with corresponding lower-case letters. Painted shrouds are not available individually. The assembly must be purchased. Parts without lower-case letters will be included in all top-level assemblies. For items *I1a through *I1s, one is shown.



REF #	PART #	DESCRIPTION	QTY	Dealer \$	MSRP	11i
A1 — B6	FRMASMB8322	SEAT TOWER,ASSY,13",TRAPEZE BARS,PAIR	1	\$128.1	\$326.66	
A1 — A4	FRMASMB6931	SEAT TOWER,ASSY,13",FRONT TRAPEZE BAR	1	\$60.9	\$155.3	
A1	DWR1056C010	TRAPEZE CROSS BAR,19MM DIA X 350MM,HORIZONTAL,C-1056-010	1	\$14.7	\$37.49	
A2	DWR1056C049	TRAPEZE BAR UPRIGHT WELDMENT,4 HOLE,W/PERCH,C-1056-049	2	\$14.7	\$37.49	
A3	SCRSHFH1066	SCREW,SHFH,BLACK ZINC,M8-1.25 X 25MM,GRADE 10.9	2	\$1.05	\$2.68	
A4	DWR1054B026	PIN,SAFETY SNAP,M6 X 35MM,B-1054-026	2	\$3.15	\$8.03	
B1 — B6	FRMASMB6932	SEAT TOWER,ASSY,13",REAR TRAPEZE BAR	1	\$68.25	\$174.04	
B1	DWR1056C010	TRAPEZE CROSS BAR,19MM DIA X 350MM,HORIZONTAL,C-1056-013	1	\$14.7	\$37.49	
B2	SCRSHFH1066	SCREW,SHFH,BLACK ZINC,M8-1.25 X 25MM,GRADE 10.9	2	\$1.05	\$2.68	
B3	DWR1054B021	STOP BLOCK,TRAPEZE CROSS BAR,B-1054-021	2	\$1.05	\$2.68	
B4	SCRSHFH1065	SCREW,SHFH,BLACK ZINC,M6-1.0 X 30MM,GRADE 10.9	2	\$1.05	\$2.68	
B5	DWR1056C049	TRAPEZE BAR UPRIGHT WELDMENT,4 HOLE,W/PERCH,C-1056-049	2	\$14.7	\$37.49	
B6	DWR1054B026	PIN,SAFETY SNAP,M6 X 35MM,B-1054-026	2	\$3.15	\$8.03	
C1 — C4	FRMASMB6933	SEAT MOUNT CONNECTOR,ASSY,METRIC	4	\$9.45	\$24.1	
C1	DWR1056C060	SEAT MOUNT CONNECTOR,C-1056-060	1	\$6.3	\$16.07	
C2	SCRSETS1023	SCREW,SET,M6-1.0 X 8MM,CUP POINT	1	\$1.05	\$2.68	
C3	RNGRTAN1033	RETAINING RING,EXTERNAL,YELLOW ZINC CHROMATE,0.984" SHAFT DIA,0.926" GROOVE DIA,C-1005-008	1	\$1.05	\$2.68	
C4	SCRSETS1026	SCREW,SET,M6-1.0 X 6MM	1	\$1.05	\$2.68	



REF #	PART #	DESCRIPTION	QTY	Dealer \$	MSRP	11i
A1 — A4	FRMASMB6933	SEAT MOUNT CONNECTOR,ASSY,METRIC	4	\$9.45	\$24.1	
A1	DWR1056C060	SEAT MOUNT CONNECTOR,C-1056-060	1	\$6.3	\$16.07	
A2	SCRSETS1023	SCREW,SET,M6-1.0 X 8MM,CUP POINT	1	\$1.05	\$2.68	
A3	RNGRTAN1033	RETAINING RING,EXTERNAL,YELLOW ZINC CHROMATE,0.984" SHAFT DIA,0.926" GROOVE DIA,C-1005-008	1	\$1.05	\$2.68	
A4	SCRSETS1026	SCREW,SET,M6-1.0 X 6MM	1	\$1.05	\$2.68	
B1	DWR1054B026	PIN,SAFETY SNAP,M6 X 35MM,B-1054-026	4	\$3.15	\$8.03	

Owner's Package — Onboard

REF #	PART #	DESCRIPTION	QTY	Dealer \$	MSRP	11i
*N/A	INDASMB1562	OWNER'S PACKAGE,ASSY,ONBOARD CHARGER,QUANTUM600	1	\$8	\$20	
*N/A	INFMANU2883	MANUAL,OWNER'S,QUANTUM600,DOMESTIC	1	\$5.25	\$13.39	
*N/A	PROZBAG1003	BAG,10"L X 12"W X 2MM,ZIPLOCK	1	\$1	\$3	
*N/A	SCRHHCS1291	SCREW,HHCS,BLACK ZINC,M6-1.0 X 35MM,GRADE 10.9	4	\$1.05	\$2.68	
*N/A	NUTNYLK1019	NUT,NYLOCK,BLACK ZINC,M6-1.0	4	\$1.05	\$2.68	
*N/A	DWR1020L013	HANG TAG,ROUND,"MADE IN CHINA", DISTRIBUTED GLOBALLY,L-1020-013	1	\$1.05	\$2.68	
*N/A	PLSTIE1015	CABLE TIE,BLACK,NYLON,7.5-8MM W X 200-220MM L,100 LBS MINIMUM TESILE STRENGTH	5	\$1.05	\$2.68	
*N/A	INFINFB1137	MANUAL,OWNER'S,WARRANTY CARD,ENGLISH	1	N/A	N/A	
*N/A	HARUSHD1065	ELECTRONIC,HARNESS, POWER CORD,IEC - USA	1	\$3.15	\$8.03	
*N/A	VELDBLS1001	REUSABLE FASTENER,1/2"W X 8"L,HOOK & LOOP	1	\$1.05	\$2.68	
*N/A	VELSGAD1007	REUSABLE FASTENER,HOOK & LOOP,1" X 2",W/ADHESIVE BACK,SET	1	\$1.05	\$2.68	
*N/A	ELEFUSE1010	FUSE,ATO,7.5AMP	1	\$1.05	\$2.68	
*N/A	INFINFB1841	MANUAL,INSTALLATION INSTRUCTIONS,CONTROLLER CABLE ROUTING,CONTOURED SEAT	1	\$1.05	\$2.68	
*N/A	DWR1020L003	HANG TAG,FULLY RECHARGE BATTERY BEFORE INITIAL USE,6-1/4" X 3-3/8",L-1020-003	1	\$1.05	\$2.68	

Owner's Package — Off-board

REF #	PART #	DESCRIPTION	QTY	Dealer \$	MSRP	11i
*N/A	INDASMB1544	OWNER'S PACKAGE,ASSY,OFFBOARD CHARGER,QUANTUM600	1	\$4	\$9	
*N/A	INFMANU2883	MANUAL,OWNER'S,QUANTUM600,DOMESTIC	1	\$5.25	\$13.39	
*N/A	PROZBAG1003	BAG,10"L X 12"W X 2MM,ZIPLOCK	1	\$1	\$3	
*N/A	SCRHHCS1291	SCREW,HHCS,BLACK ZINC,M6-1.0 X 35MM,GRADE 10.9	4	\$1.05	\$2.68	
*N/A	NUTNYLK1019	NUT,NYLOCK,BLACK ZINC,M6-1.0	4	\$1.05	\$2.68	
*N/A	PLSTIE1015	CABLE TIE,BLACK,NYLON,7.5-8MM W X 200-220MM L,100 LBS MINIMUM TESILE STRENGTH	5	\$1.05	\$2.68	
*N/A	INFINFB1137	MANUAL,OWNER'S,WARRANTY CARD,ENGLISH	1	N/A	N/A	
*N/A	DWR1020L003	HANG TAG,FULLY RECHARGE BATTERY BEFORE INITIAL USE,6-1/4" X 3-3/8",L-1020-003	1	\$1.05	\$2.68	
*N/A	INFINFB1841	MANUAL,INSTALLATION INSTRUCTIONS,CONTROLLER CABLE ROUTING,CONTOURED SEAT	1	\$1.05	\$2.68	
*N/A	DWR1020L013	HANG TAG,ROUND,"MADE IN CHINA", DISTRIBUTED GLOBALLY,L-1020-013	1	\$1.05	\$2.68	

Notes :

*N/A Not applicable.

REF #	PART #	DESCRIPTION	QTY	Dealer \$	MSRP	11i
*N/A	INDASMB1704	OWNER'S PACKAGE,OFFBOARD CHARGER,QUANTUM600E	1	N/A	N/A	
*N/A	INFMANU2883	MANUAL,OWNER'S,QUANTUM600,DOMESTIC	1	\$5.25	\$13.39	
*N/A	PROZBAG1003	BAG,10"L X 12"W X 2MM,ZIPLOCK	1	\$1	\$3	
*N/A	SCRHHCS1291	SCREW,HHCS,BLACK ZINC,M6-1.0 X 35MM,GRADE 10.9	4	\$1.05	\$2.68	
*N/A	NUTNYLK1019	NUT,NYLOCK,BLACK ZINC,M6-1.0	4	\$1.05	\$2.68	
*N/A	DWR1020L013	HANG TAG,ROUND,"MADE IN CHINA", DISTRIBUTED GLOBALLY,L-1020-013	1	\$1.05	\$2.68	
*N/A	PLSTIE1015	CABLE TIE,BLACK,NYLON,7.5-8MM W X 200-220MM L,100 LBS MINIMUM TESILE STRENGTH	5	\$1.05	\$2.68	
*N/A	INFINFB1137	MANUAL,OWNER'S,WARRANTY CARD,ENGLISH	1	N/A	N/A	
*N/A	DWR1020L003	HANG TAG,FULLY RECHARGE BATTERY BEFORE INITIAL USE,6-1/4" X 3-3/8",L-1020-003	1	\$1.05	\$2.68	
*N/A	INFINFB1841	MANUAL,INSTALLATION INSTRUCTIONS,CONTROLLER CABLE ROUTING,CONTOURED SEAT	1	\$1.05	\$2.68	
*N/A	HARUSHD1065	ELECTRONIC,HARNESS, POWER CORD,IEC - USA	1	\$3.15	\$8.03	

Notes :

*N/A Not applicable.

REF #	PART #	DESCRIPTION	QTY	Dealer \$	MSRP	11i
*N/A	DECASMB1628	DECAL,ASSY,QUANTUM600,DOMESTIC	1	N/A	N/A	
*N/A	DWR1234L004	DECAL,ICON,300LBS/135 KG,MAXIMUM WEIGHT CAPACITY,L-1234-004	1	\$1.05	\$2.68	
*N/A	DWR1234L145	DECAL,ICON,1" X 2.5",WEATHER/MANUAL/EMI,L-1234-145	1	\$1.05	\$2.68	
*N/A	DWR1050L003	DECAL,POWERCHAIR,US AND FOREIGN PATENTS PENDING,MFG IN CHINA	1	\$3	\$7	
*N/A	DWR1234L421	DECAL,WARNING,EMI-RFI,20V/M,L-1234-421	1	\$1.05	\$2.68	
*N/A	DWR1234L008	DECAL,ICON,EXTENSION CORD/GROUNDING PRONG,L-1234-008	1	\$1.05	\$2.68	
*N/A	DWR1234L011	DECAL,ICON,BATTERY CORROSIVE CHEMICALS WARNING,L-1234-011	1	\$1.05	\$2.68	
*N/A	DWR1234L012	DECAL,ICON,1.5",READ OWNERS MANUAL,L-1234-012	1	\$1.05	\$2.68	
*N/A	DWR1234L804	DECAL,BATTERY CONNECTION,1.75" X 2.0",ULTRA/600 SERIES,L-1234-804	1	N/A	N/A	
*N/A	DWR1235L061	DECAL,BATTERY WARNINGS,L-1235-061	1	\$1.05	\$2.68	
*N/A	DWR1234L063	DECAL,MOTOR HARNESS,RED,SQUARE,L-1234-063	2	\$1.05	\$2.68	
*N/A	DWR1234L064	DECAL,MOTOR HARNESS,YELLOW,SQUARE,L-1234-064	2	\$1.05	\$2.68	
*N/A	DWR1234L091	DECAL,ICON,JAZZY FREEWHEEL,UP-DRIVE/DOWN-NEUTRAL,L-1234-091	2	\$1.05	\$2.68	
*N/A	DWR1234L039	DECAL,ICON,BATTERY TERMINAL WARNING,L-1234-039	1	\$1.05	\$2.68	
*N/A	DWR1234L428	DECAL,NAME,QUANTUM600,L-1234-428	2	\$1	\$3	
*N/A	DWR1234L429	DECAL,QUANTUM LOGO,L-1234-429	1	\$2.1	\$5.36	
*N/A	DWR1234L394	DECAL,QUANTUM REHAB,WEBSITE,L-1234-394	1	\$1.05	\$2.68	
*N/A	DWR1234L624	DECAL,ICON,WARNING,CONTROLLER CORD PLACEMENT,ENGLISH,L-1234-624	1	\$1.05	\$2.68	
*N/A	DWR1234L621	DECAL,LOGO,QUANTUM "Q",L-1234-621	1	\$1.05	\$2.68	
*N/A	DWR1234L957	DECAL,WARNING,DEFLATE TIRE COMPLETELY,L-1234-957	2	\$1.05	\$2.68	
*N/A	DECSERN1032	DECAL,SERIAL NUMBER,4" X 6",BARCODE,W/PRIDE LOGO	1	N/A	N/A	

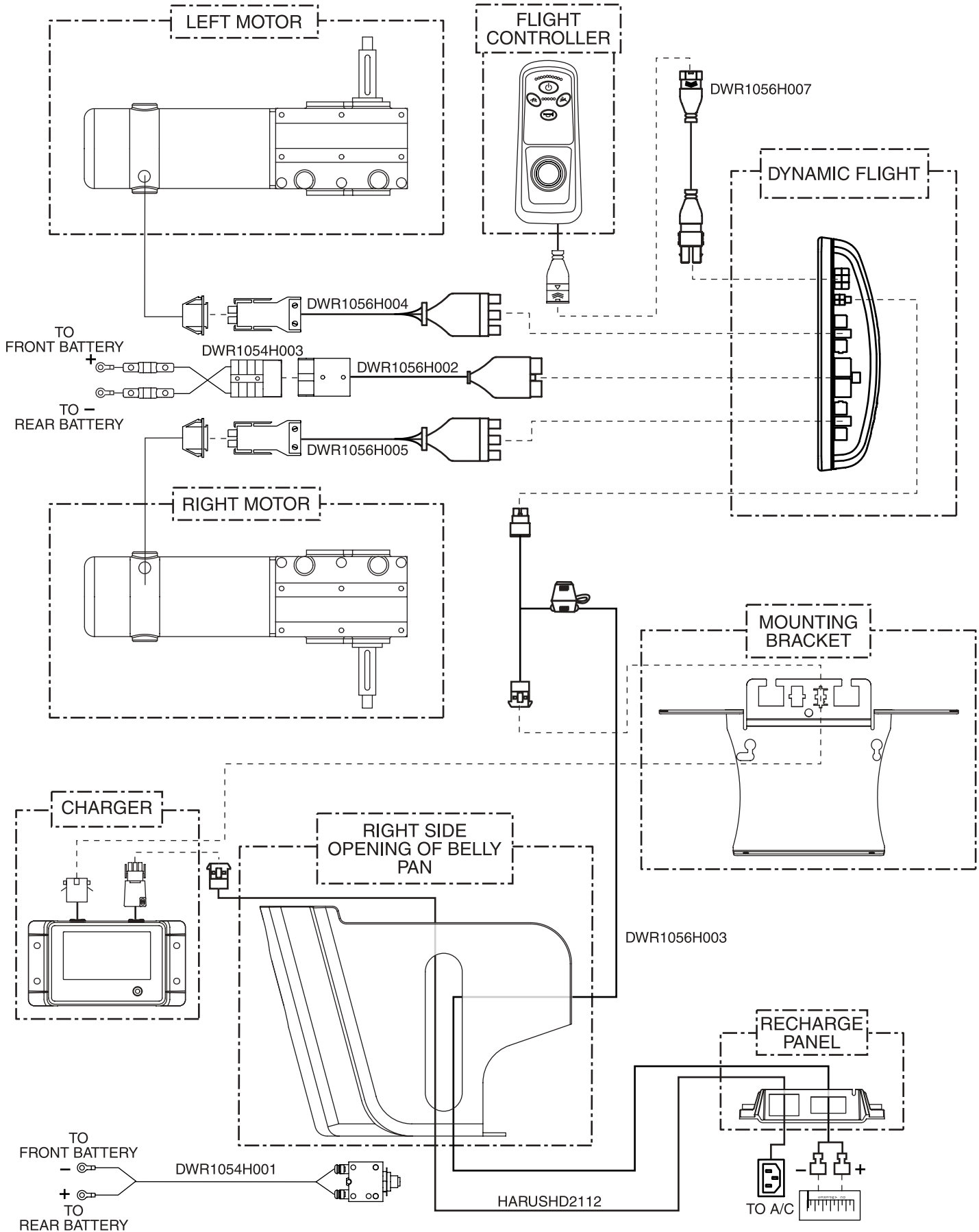
Notes :

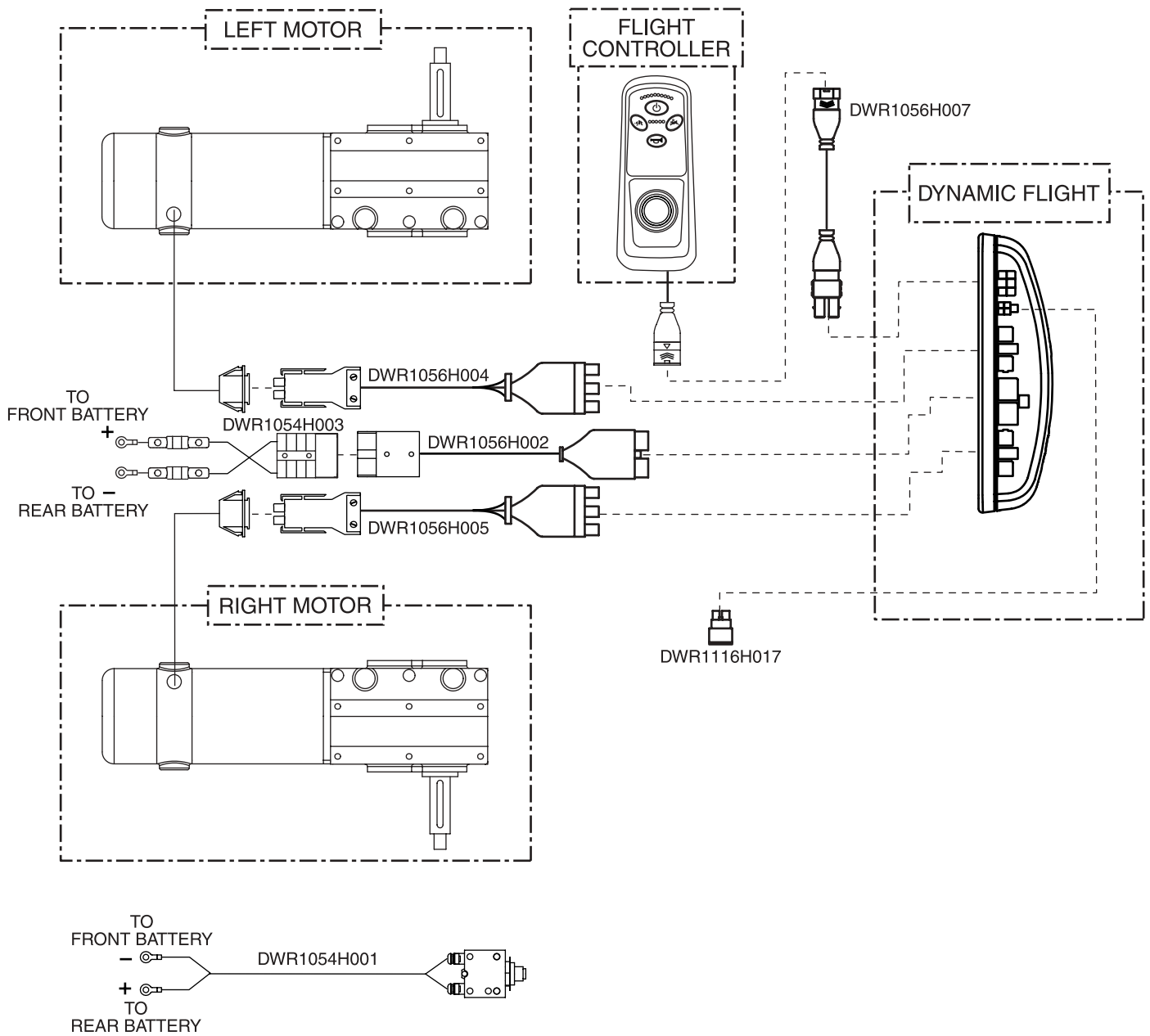
*N/A Not applicable.

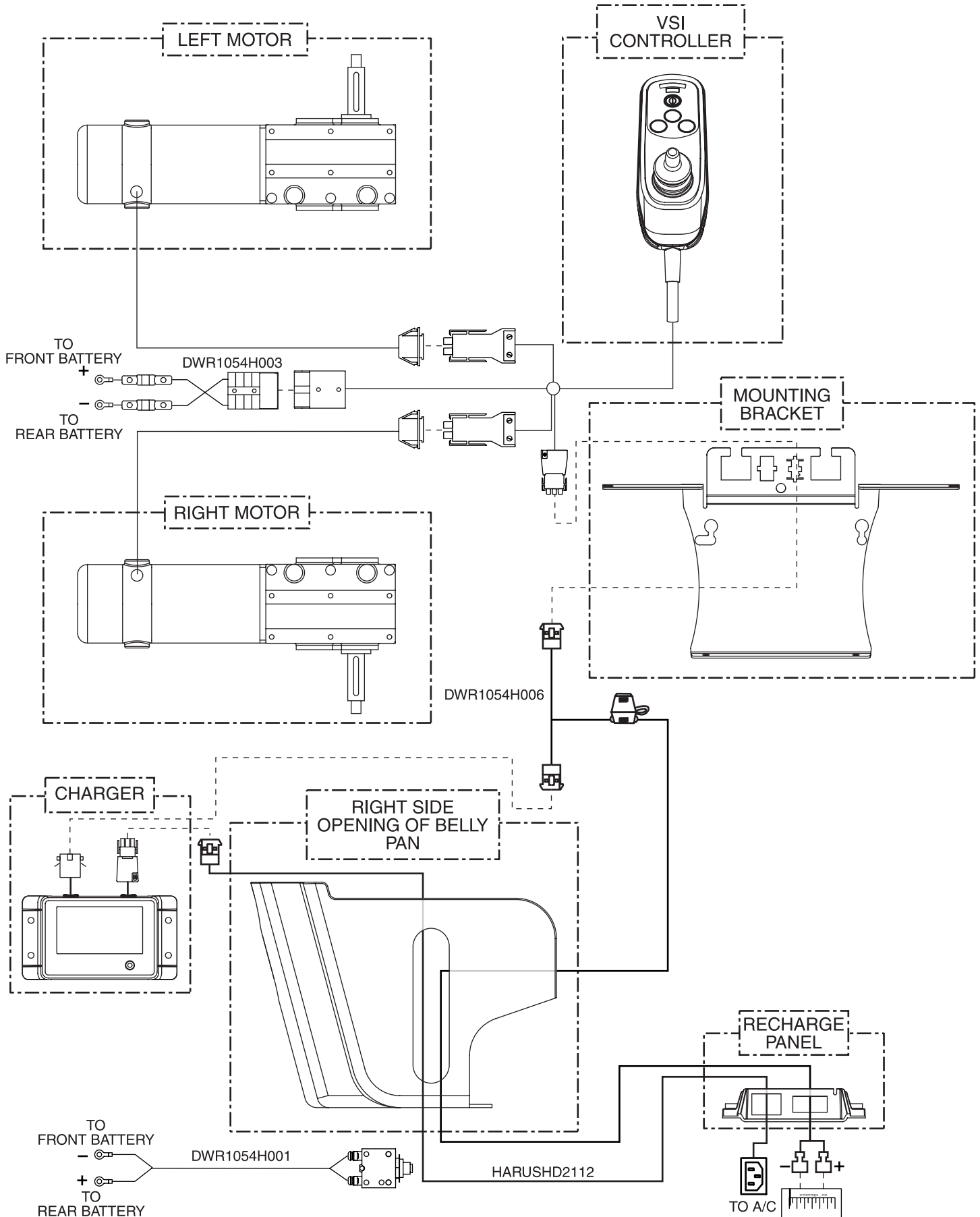
REF #	PART #	DESCRIPTION	QTY	Dealer \$	MSRP	11i
*N/A	DECASMB1884	DECAL,ASSY,QUANTUM600E,DOMESTIC	1	N/A	N/A	
*N/A	DWR1234L004	DECAL,ICON,300LBS/135 KG,MAXIMUM WEIGHT CAPACITY,L-1234-004	1	\$1.05	\$2.68	
*N/A	DWR1234L145	DECAL,ICON,1" X 2.5",WEATHER/MANUAL/EMI,L-1234-145	1	\$1.05	\$2.68	
*N/A	DWR1234L063	DECAL,MOTOR HARNESS,RED,SQUARE,L-1234-063	2	\$1.05	\$2.68	
*N/A	DWR1234L064	DECAL,MOTOR HARNESS,YELLOW,SQUARE,L-1234-064	2	\$1.05	\$2.68	
*N/A	DWR1234L091	DECAL,ICON,JAZZY FREEWHEEL,UP-DRIVE/DOWN-NEUTRAL,L-1234-091	2	\$1.05	\$2.68	
*N/A	DWR1234L894	DECAL,NAME,QUANTUM600E,L-1234-894	2	N/A	N/A	
*N/A	DWR1234L624	DECAL,ICON,WARNING,CONTROLLER CORD PLACEMENT,ENGLISH,L-1234-624	1	\$1.05	\$2.68	
*N/A	DWR1234L621	DECAL,LOGO,QUANTUM "Q",L-1234-621	1	\$1.05	\$2.68	
*N/A	DWR1050L003	DECAL,POWERCHAIR,US AND FOREIGN PATENTS PENDING,MFG IN CHINA	1	\$3	\$7	
*N/A	DWR1234L011	DECAL,ICON,BATTERY CORROSIVE CHEMICALS WARNING,L-1234-011	1	\$1.05	\$2.68	
*N/A	DWR1234L012	DECAL,ICON,1.5",READ OWNERS MANUAL,L-1234-012	1	\$1.05	\$2.68	
*N/A	DWR1234L804	DECAL,BATTERY CONNECTION,1.75" X 2.0",ULTRA/600 SERIES,L-1234-804	1	N/A	N/A	
*N/A	DWR1235L061	DECAL,BATTERY WARNINGS,L-1235-061	1	\$1.05	\$2.68	
*N/A	DWR1234L039	DECAL,ICON,BATTERY TERMINAL WARNING,L-1234-039	1	\$1.05	\$2.68	
*N/A	DWR1234L429	DECAL,QUANTUM LOGO,L-1234-429	1	\$2.1	\$5.36	
*N/A	DWR1234L394	DECAL,QUANTUM REHAB,WEBSITE,L-1234-394	1	\$1.05	\$2.68	
*N/A	DWR1234L421	DECAL,WARNING,EMI-RFI,20V/M,L-1234-421	1	\$1.05	\$2.68	
*N/A	DWR1234L957	DECAL,WARNING,DEFLATE TIRE COMPLETELY,L-1234-957	2	\$1.05	\$2.68	
*N/A	DECSERN1032	DECAL,SERIAL NUMBER,4" X 6",BARCODE,W/PRIDE LOGO	1	N/A	N/A	

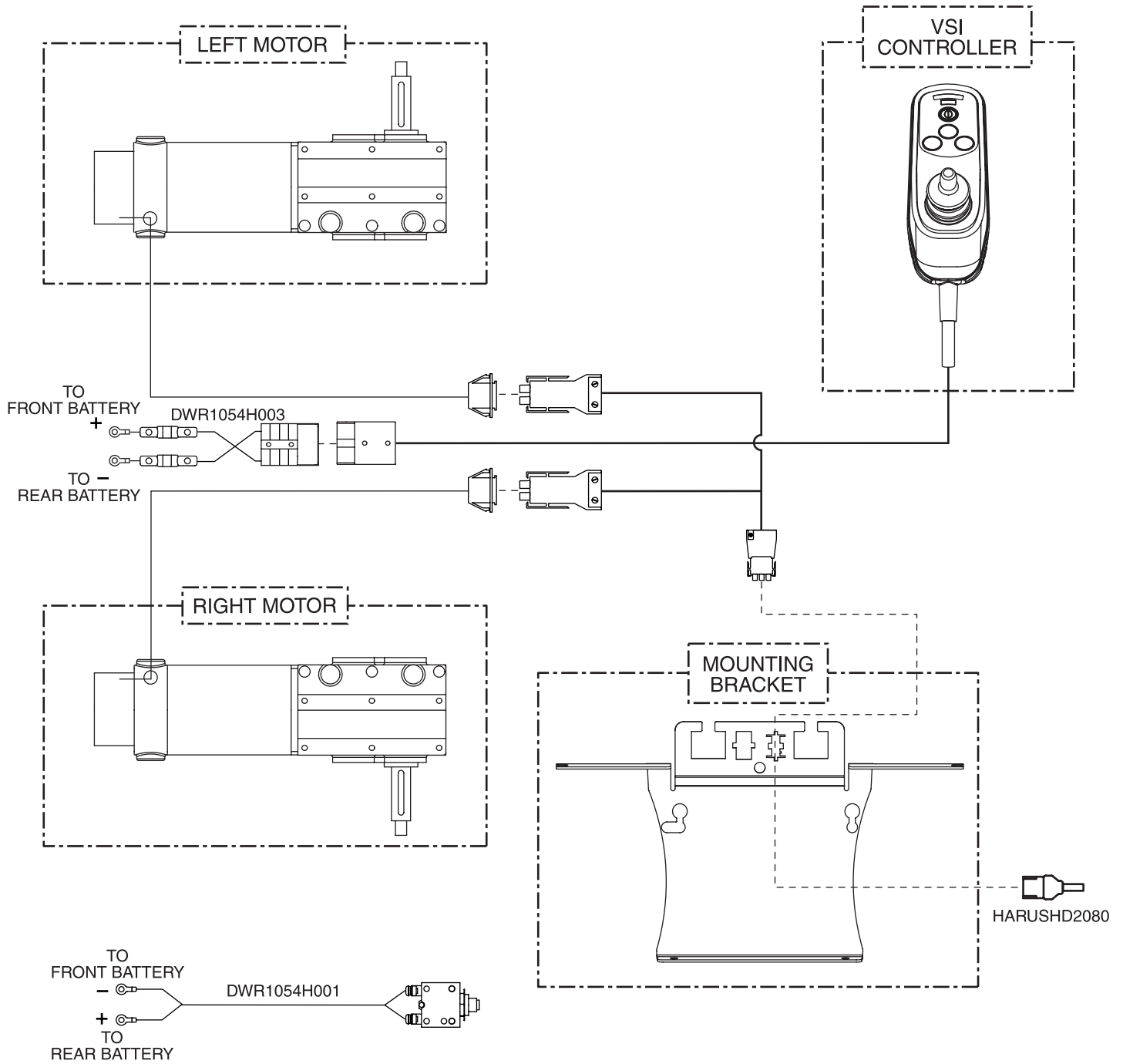
Notes :

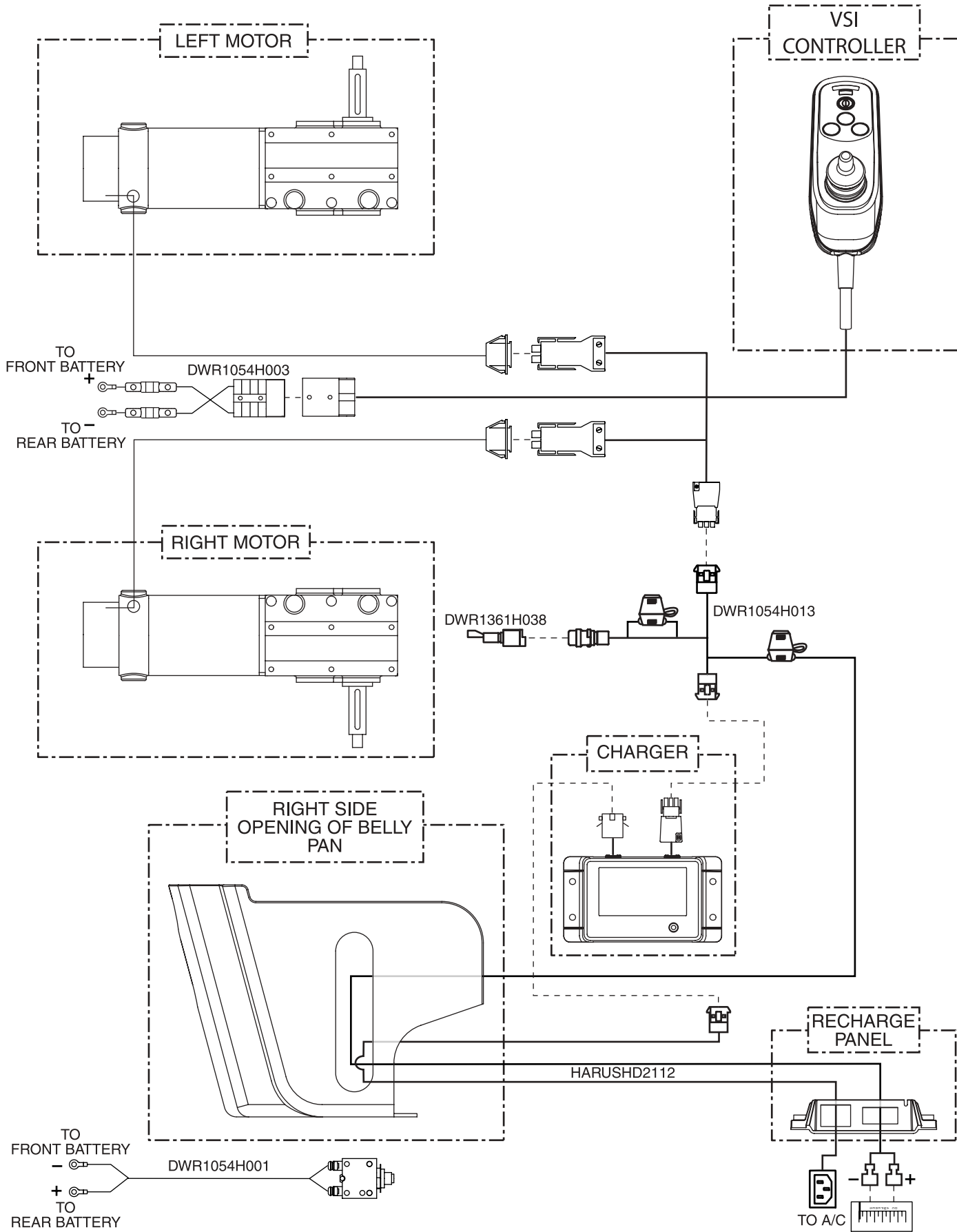
*N/A Not applicable.

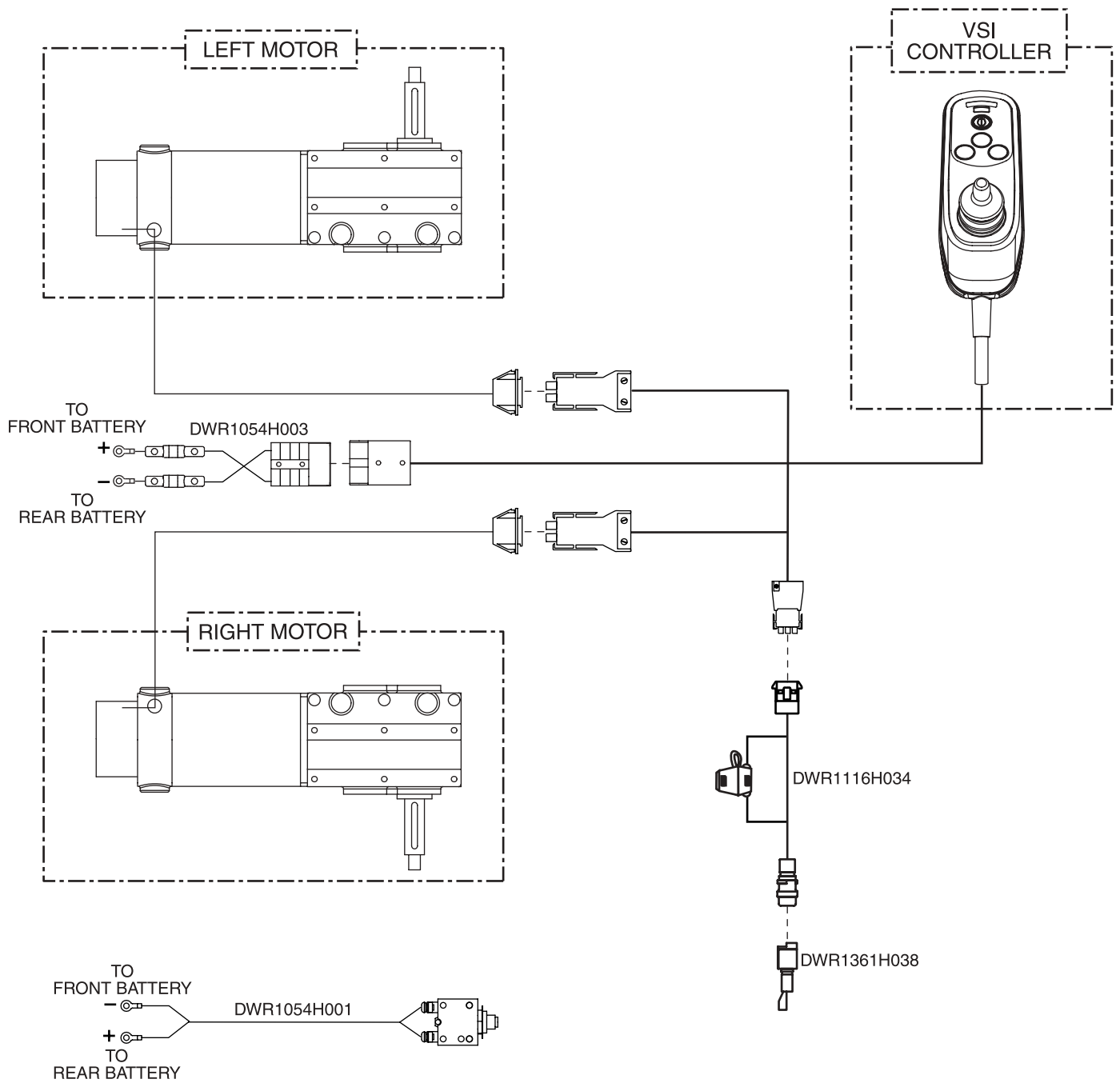


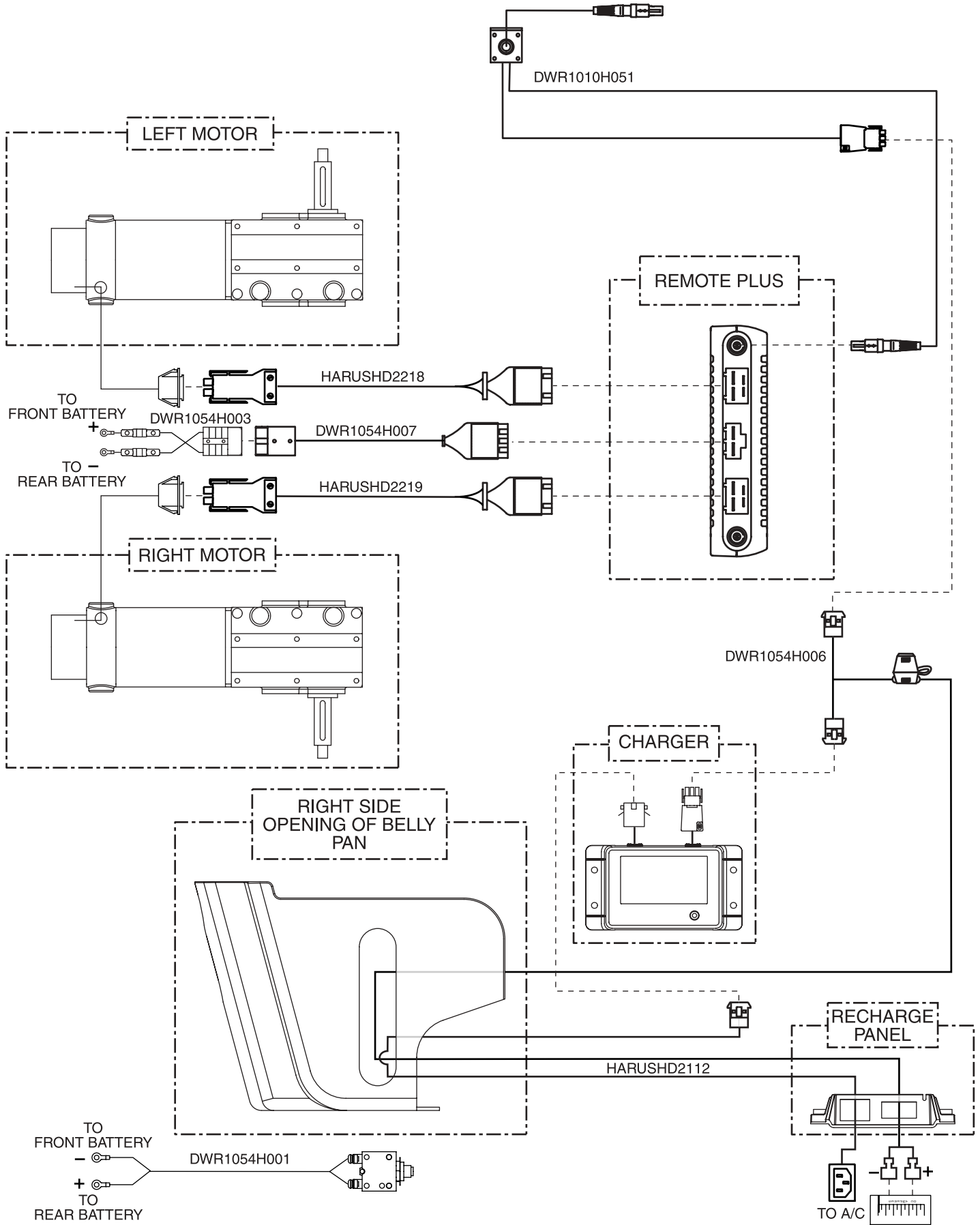


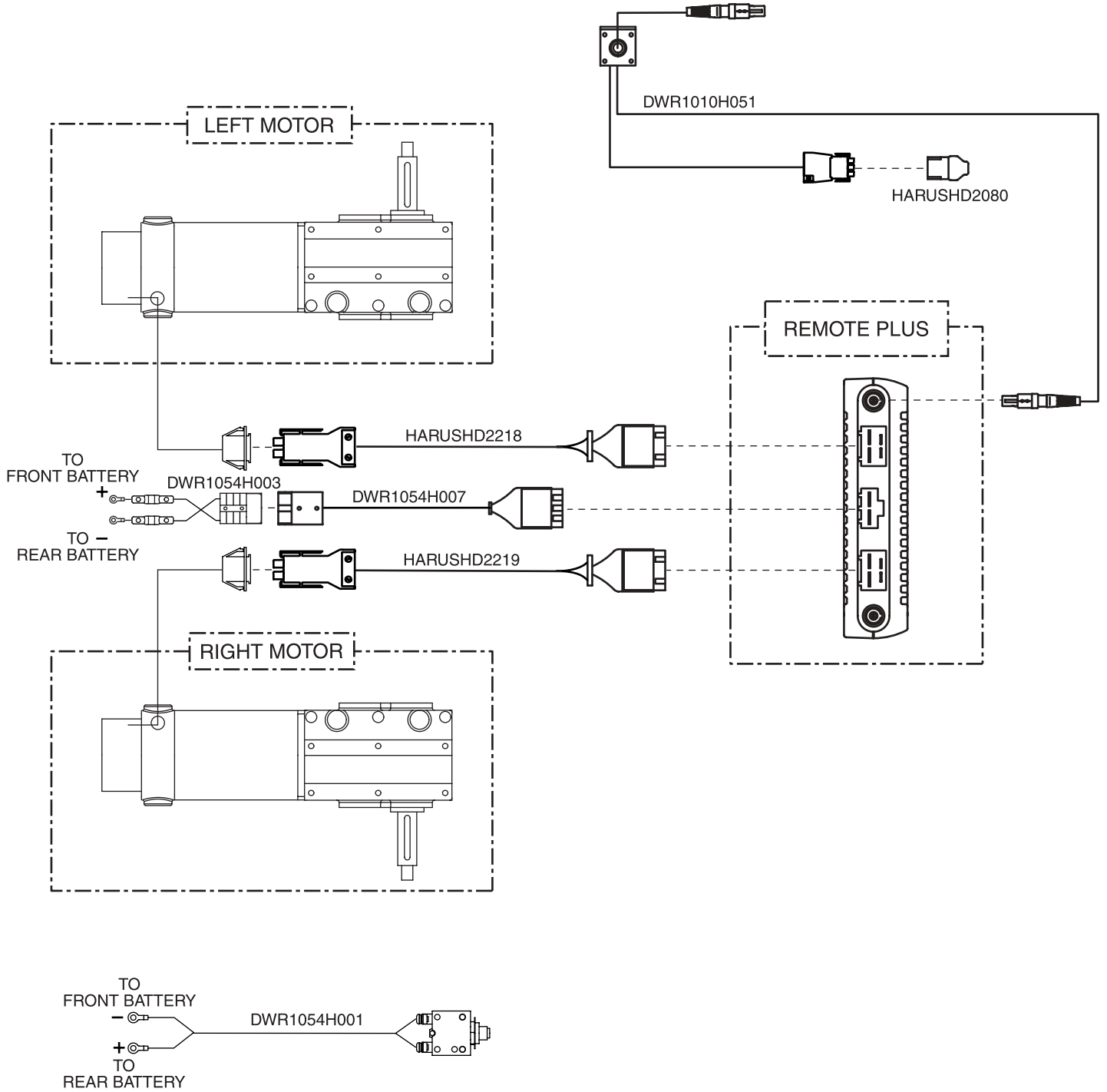


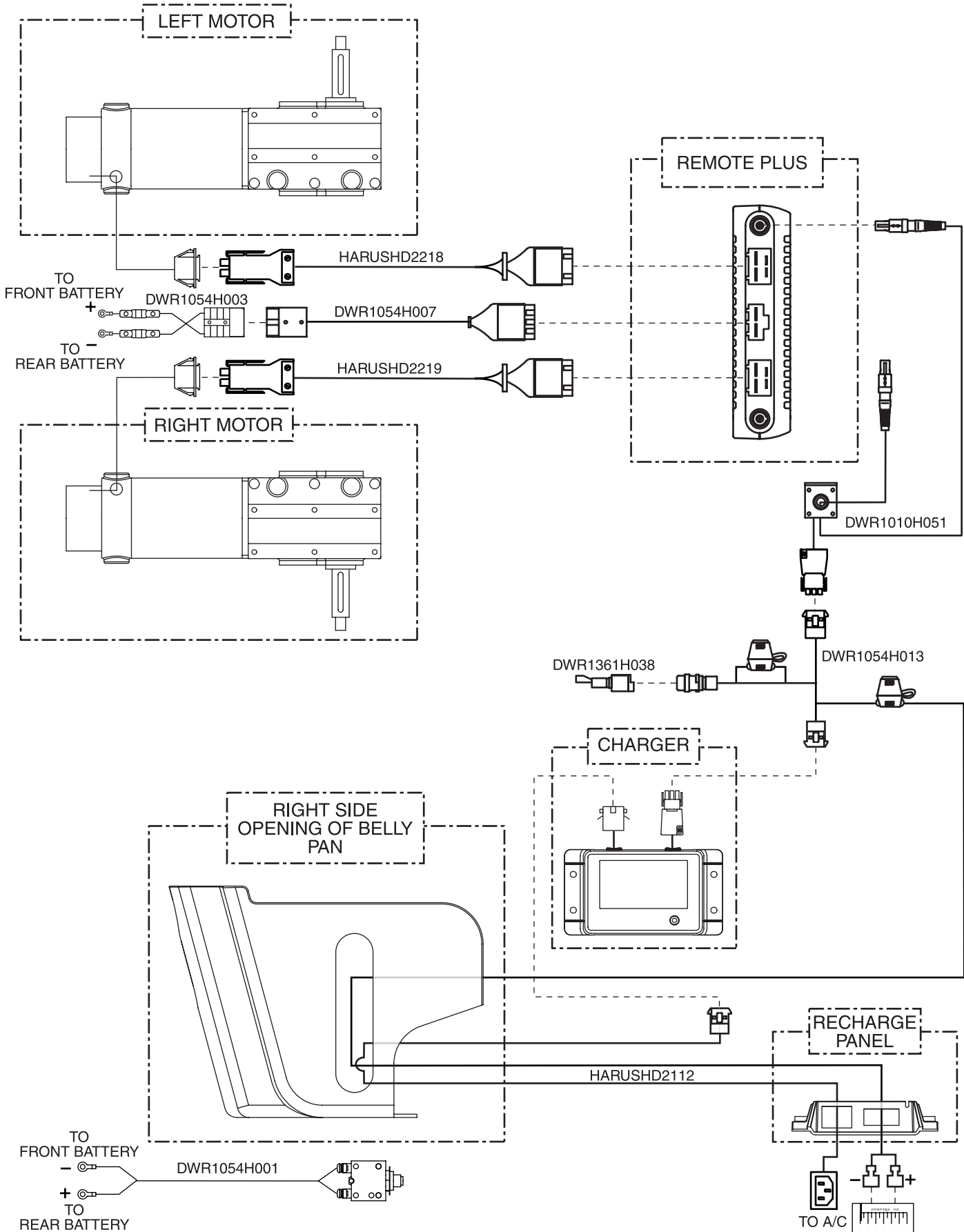


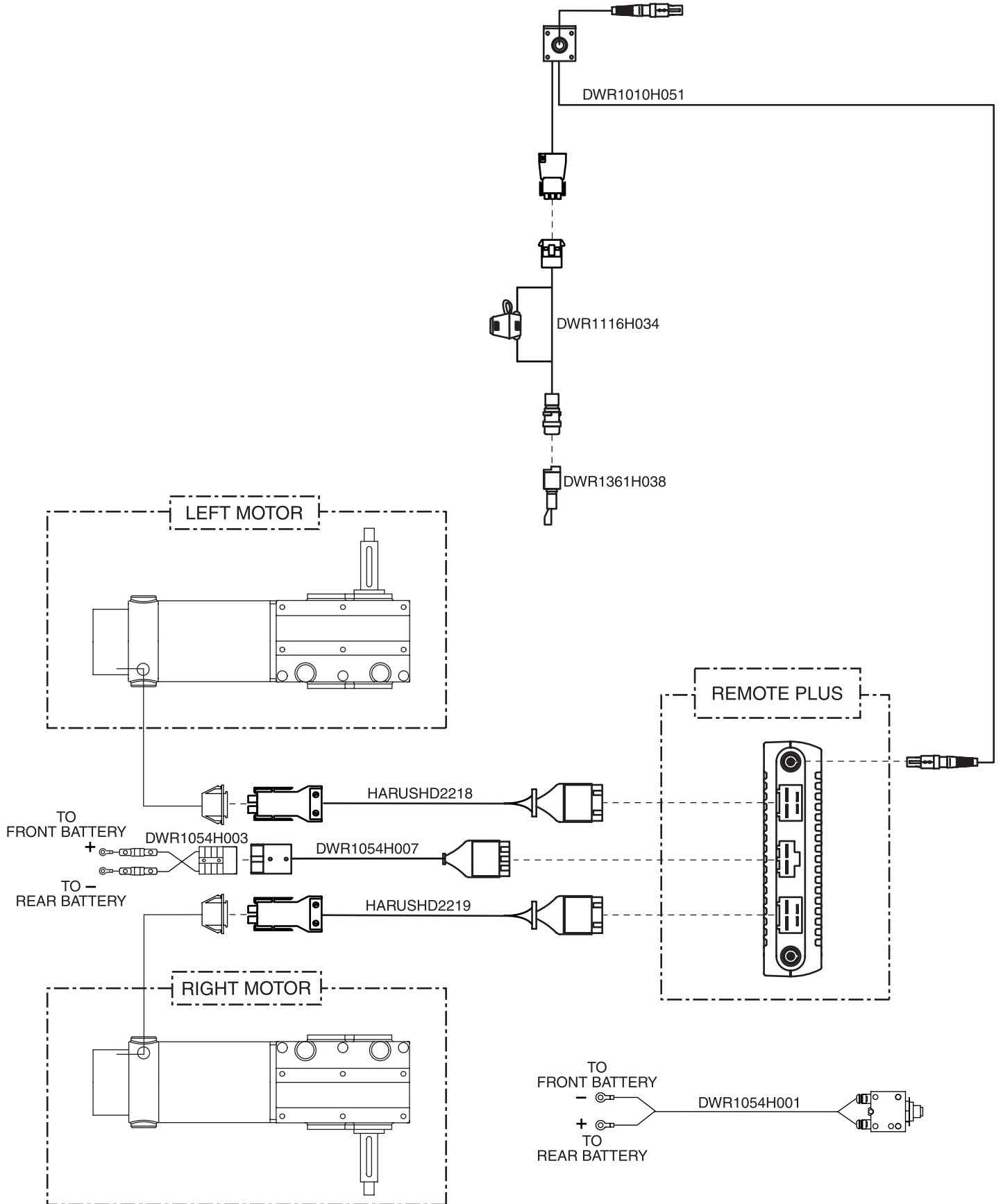


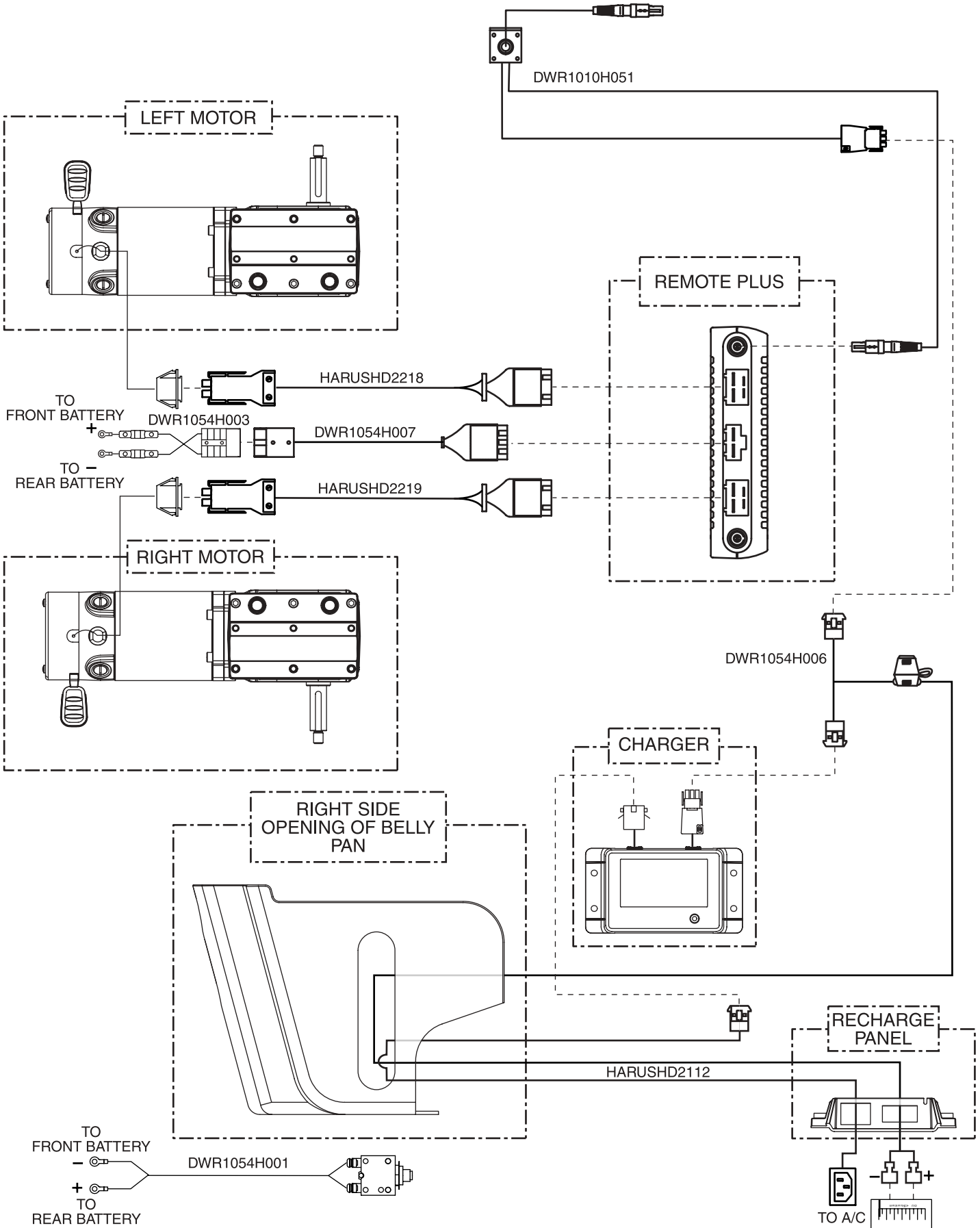


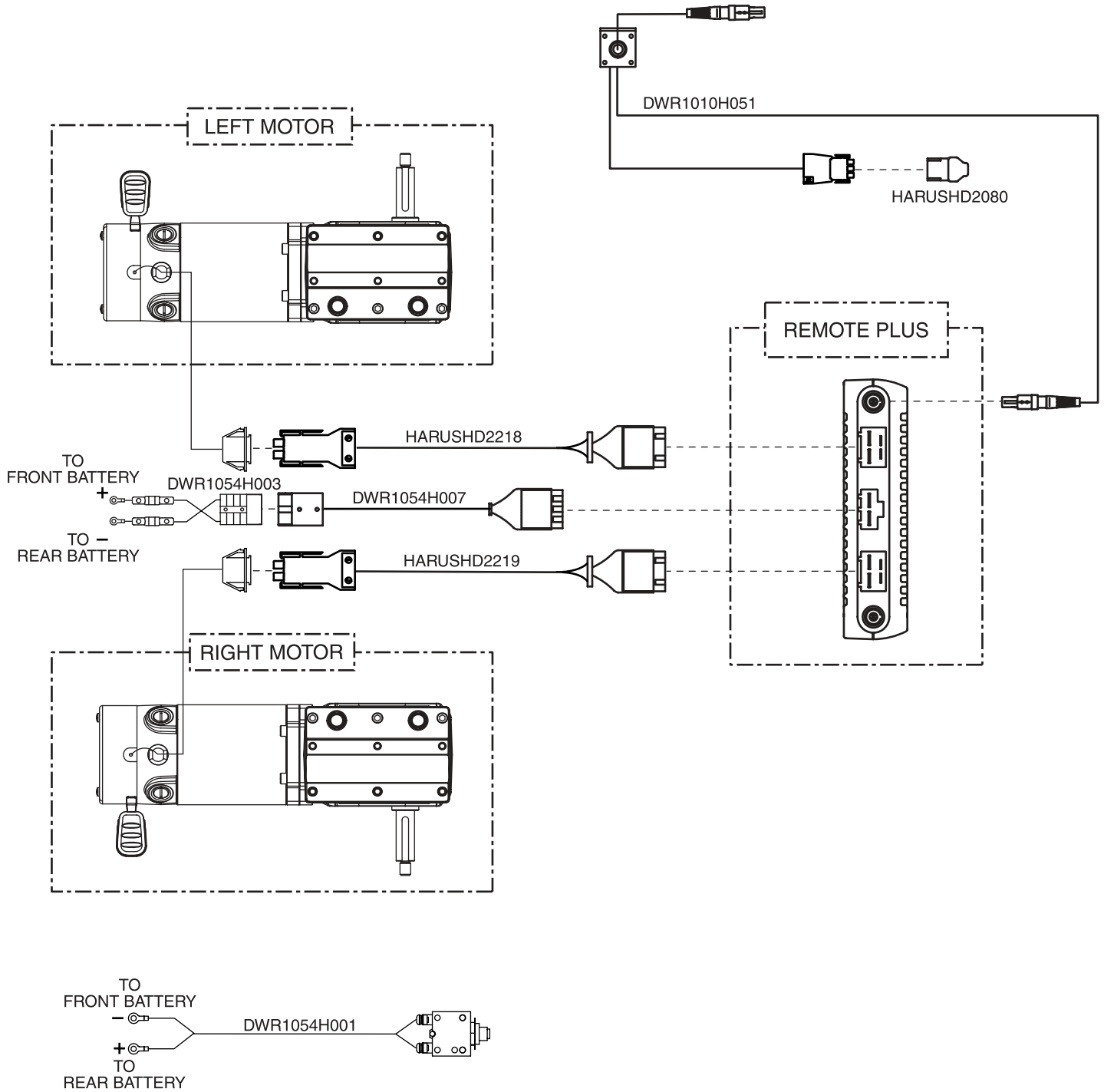


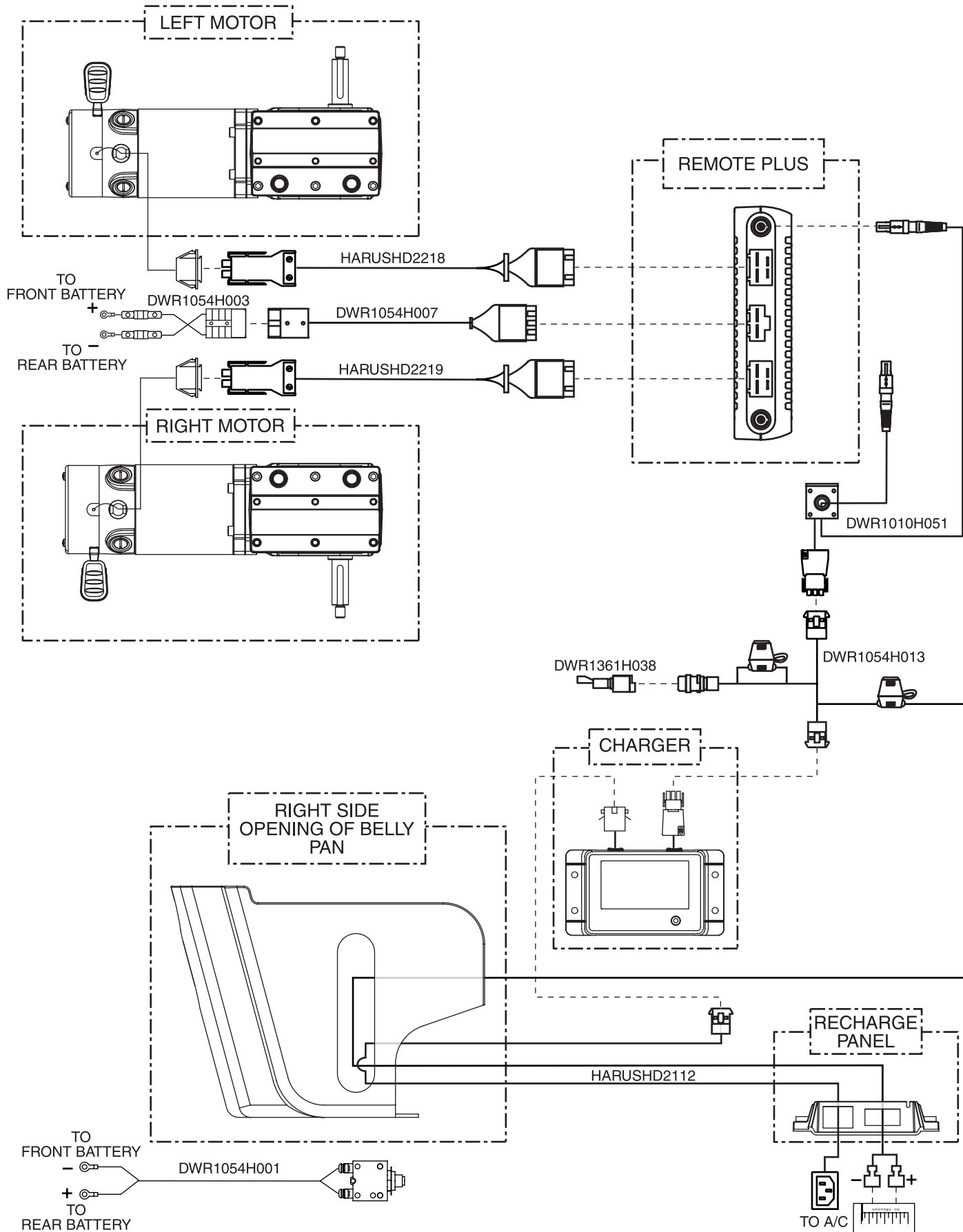


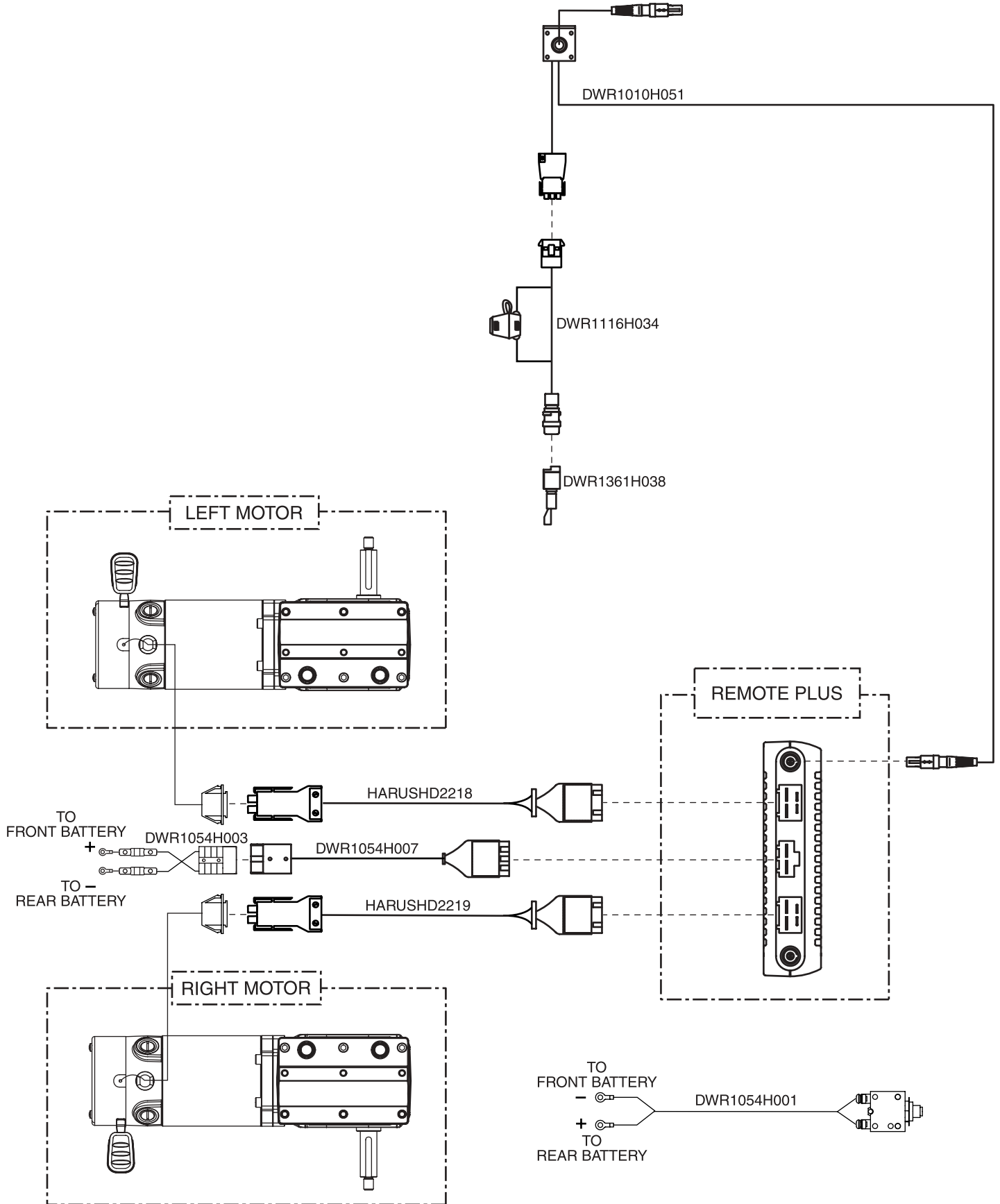


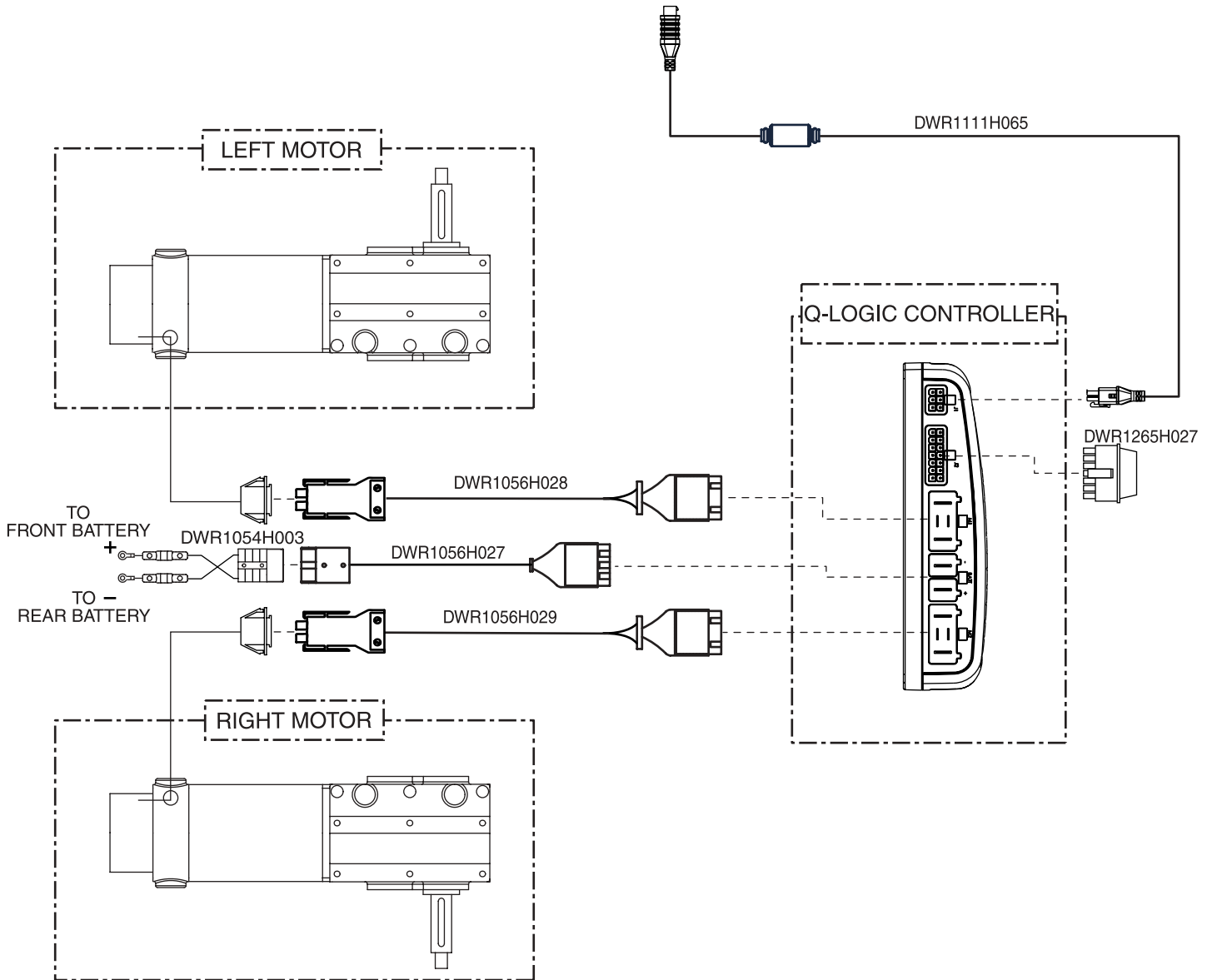


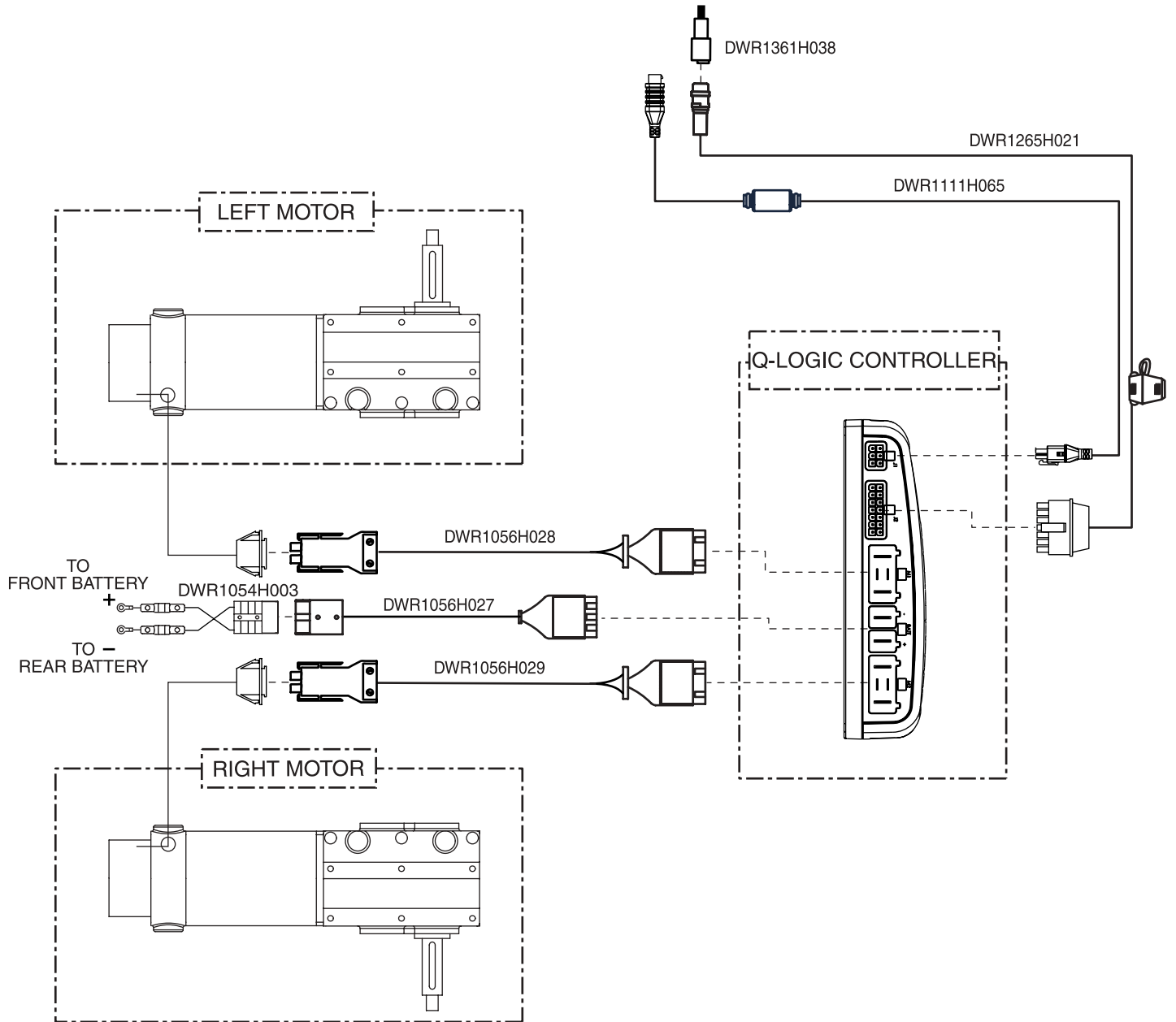


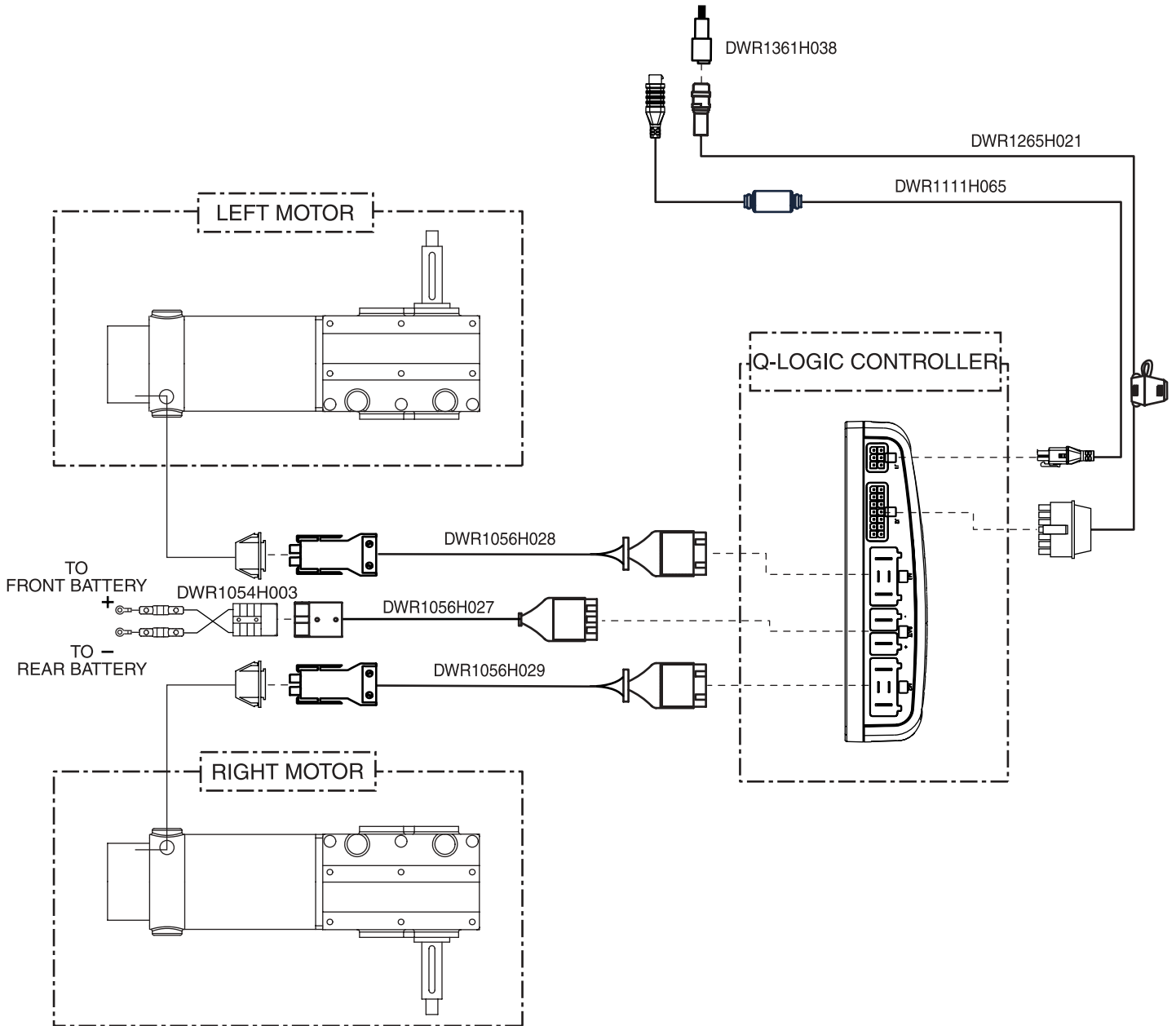


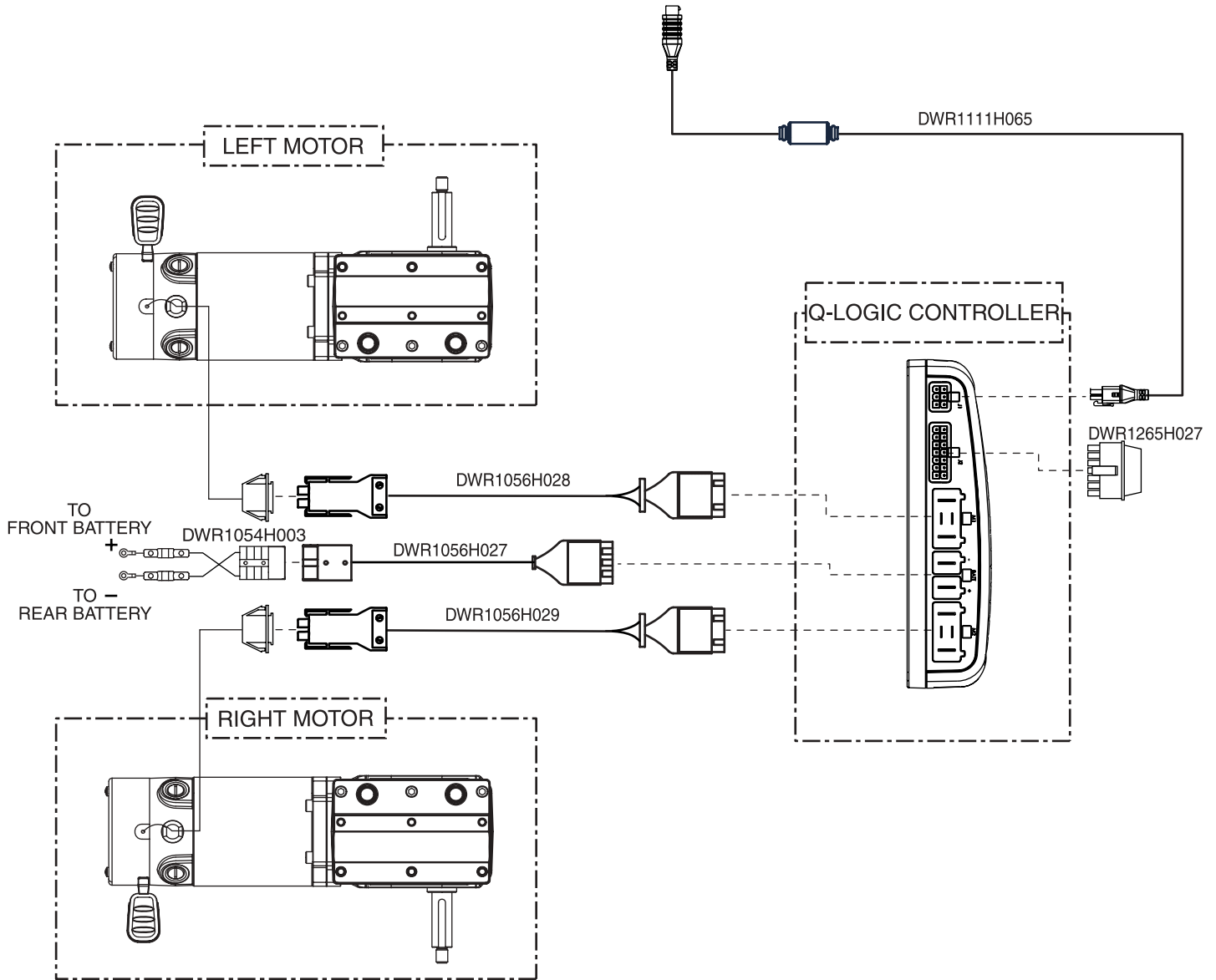


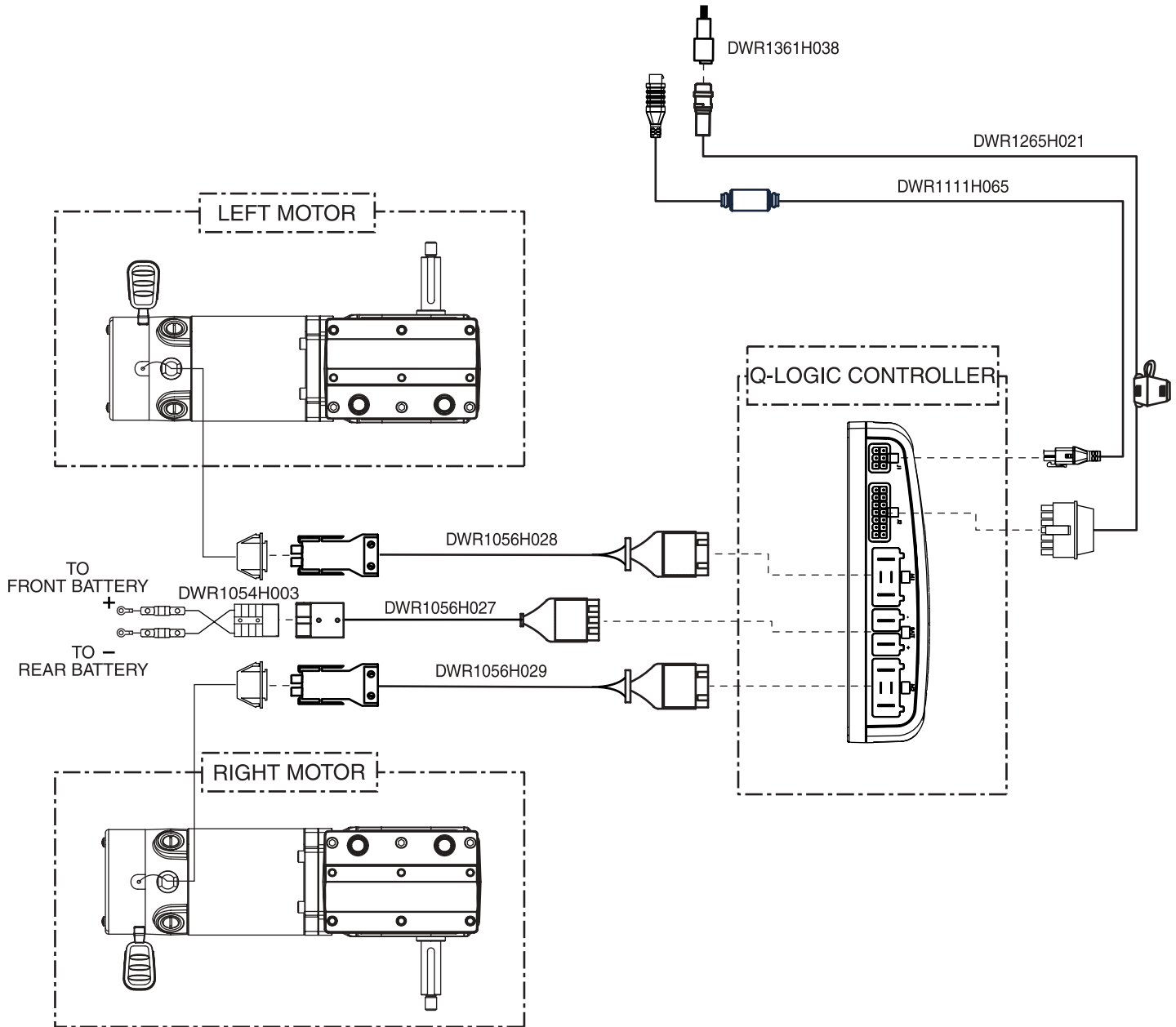


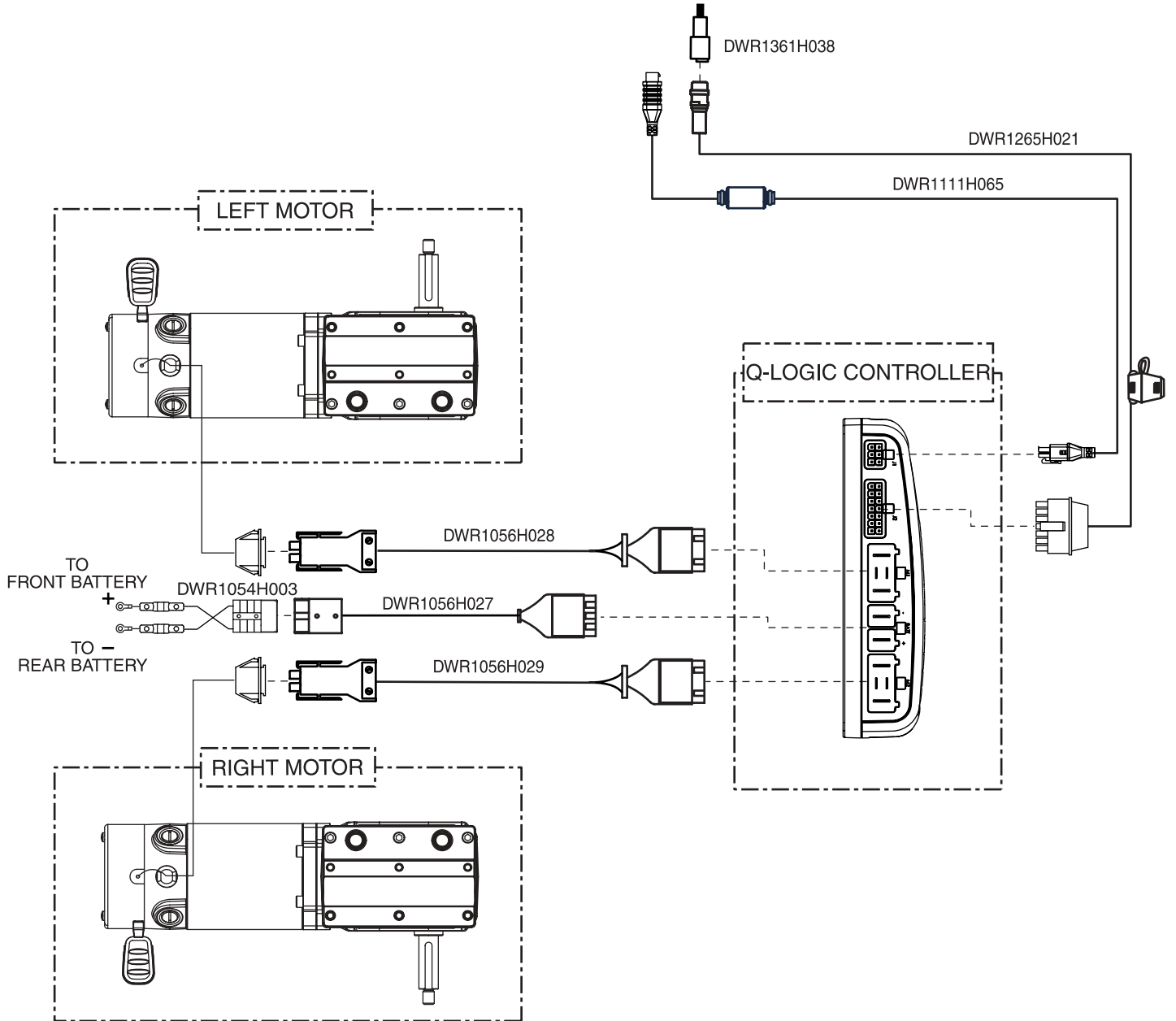


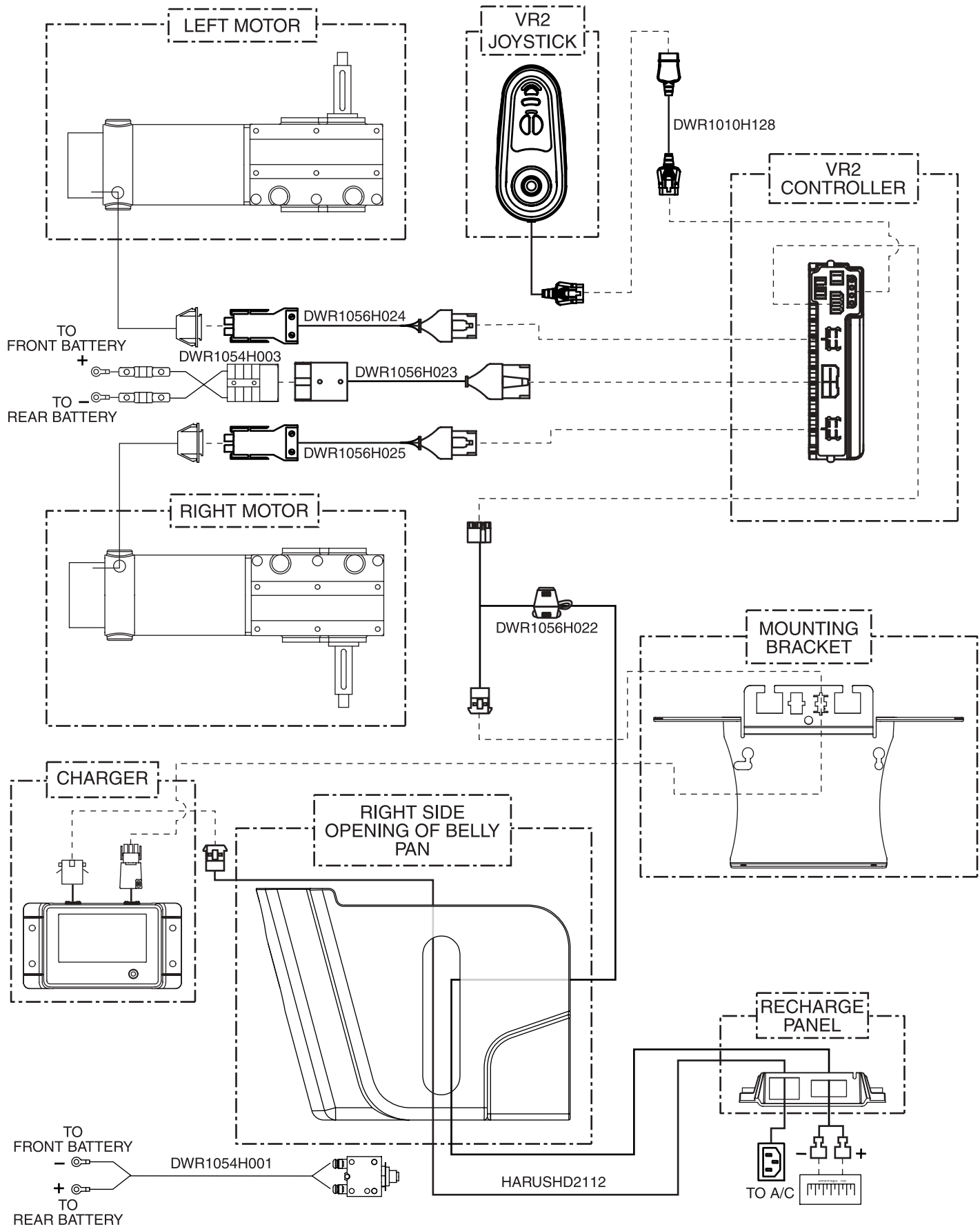


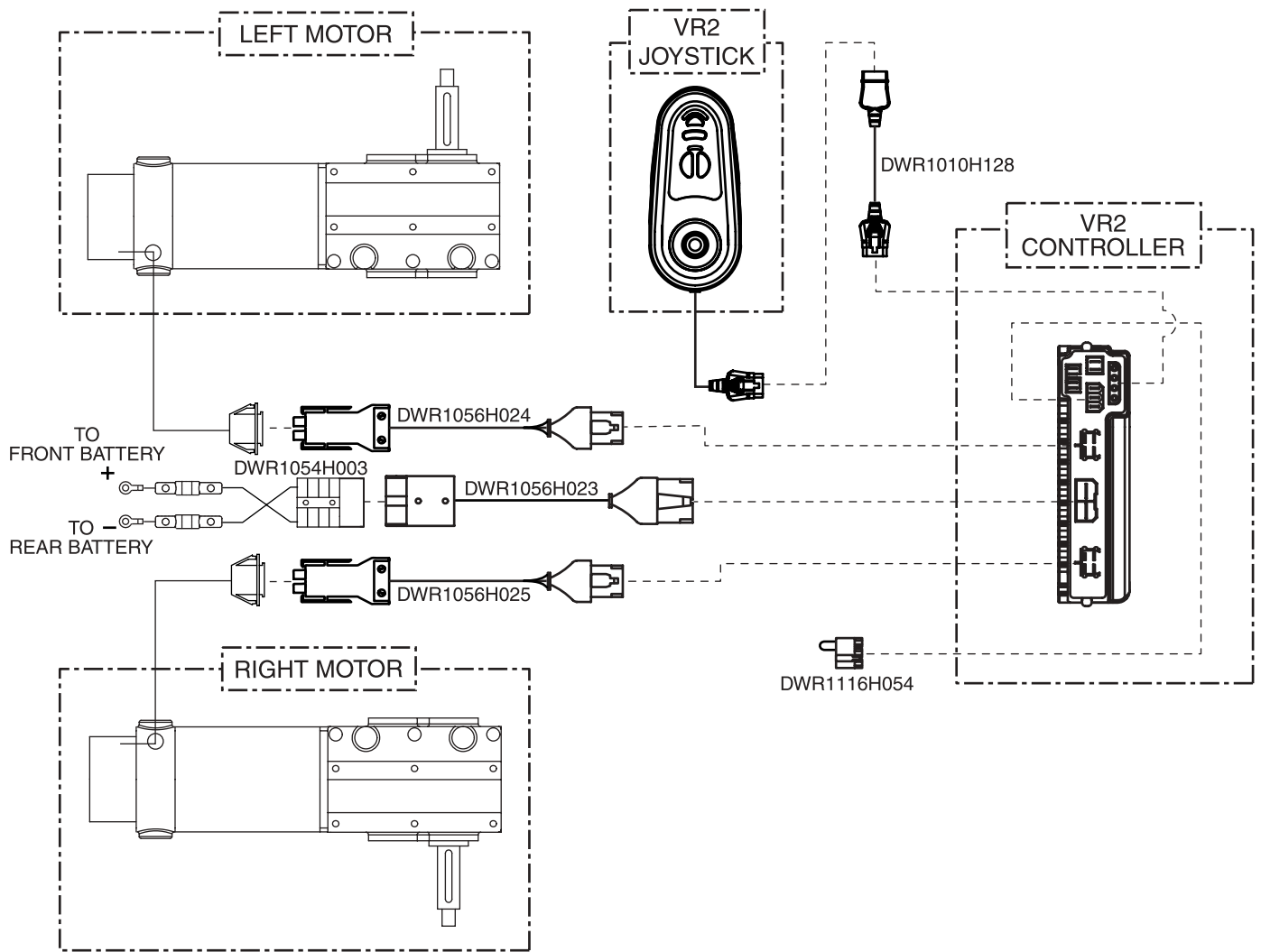


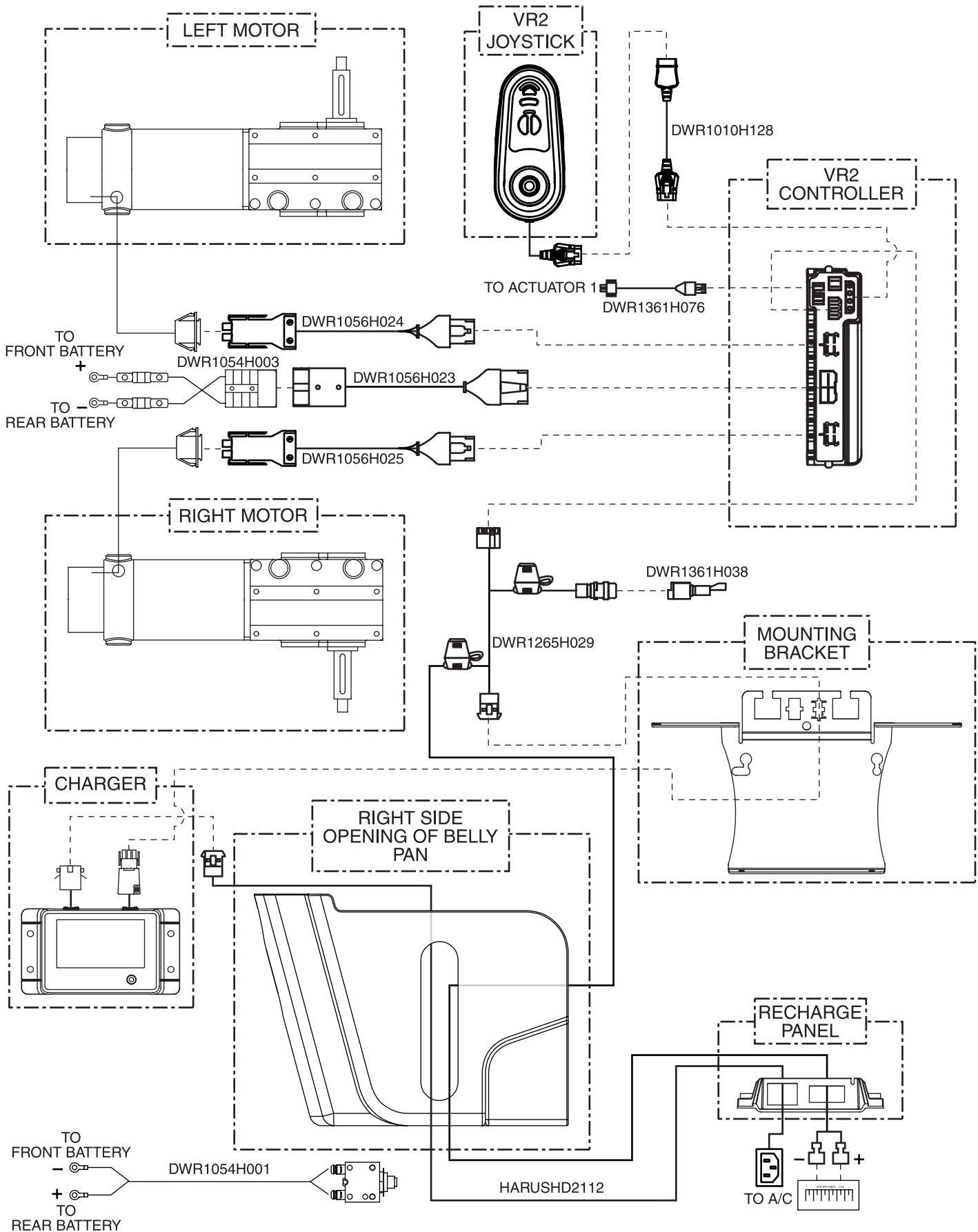


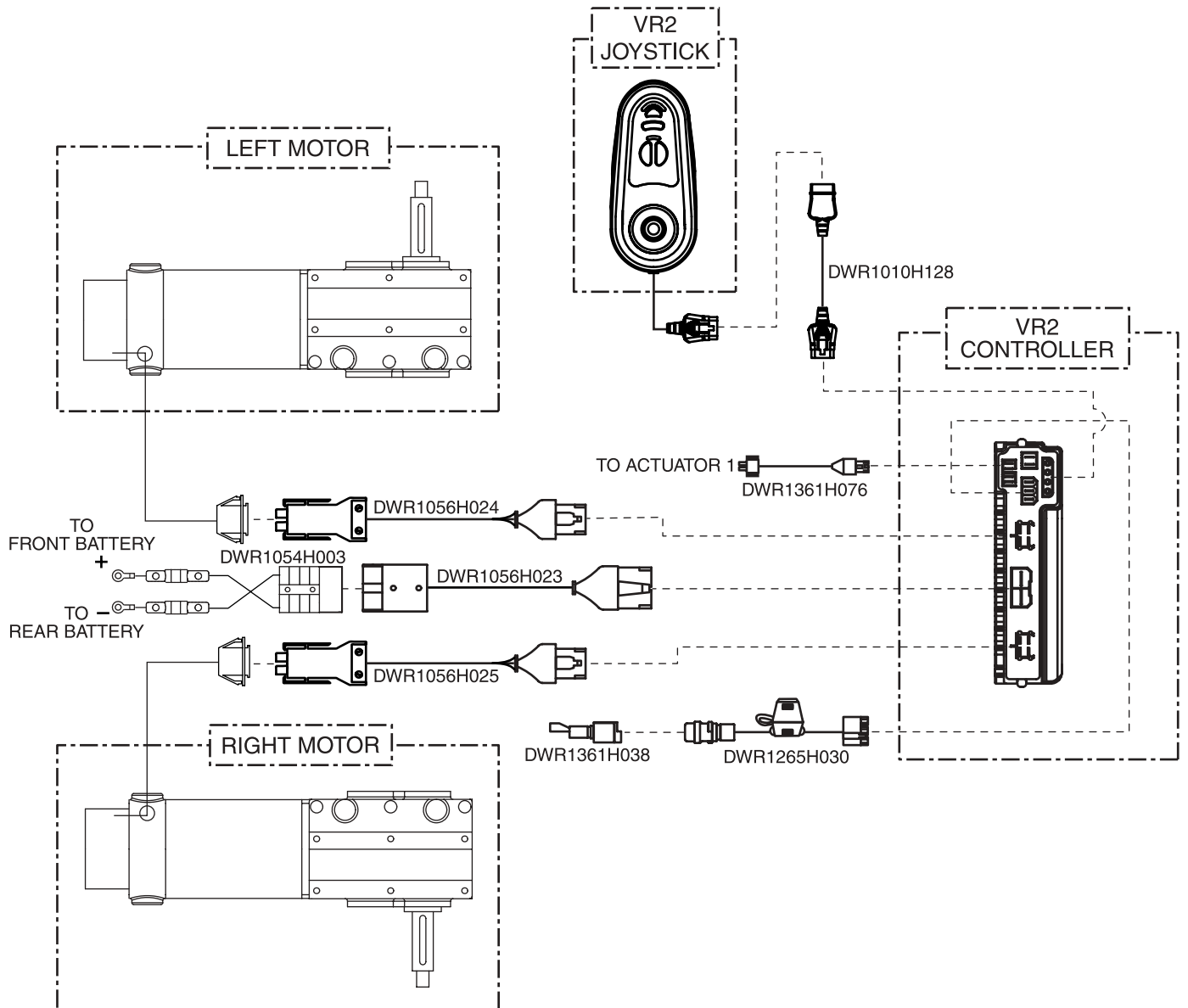


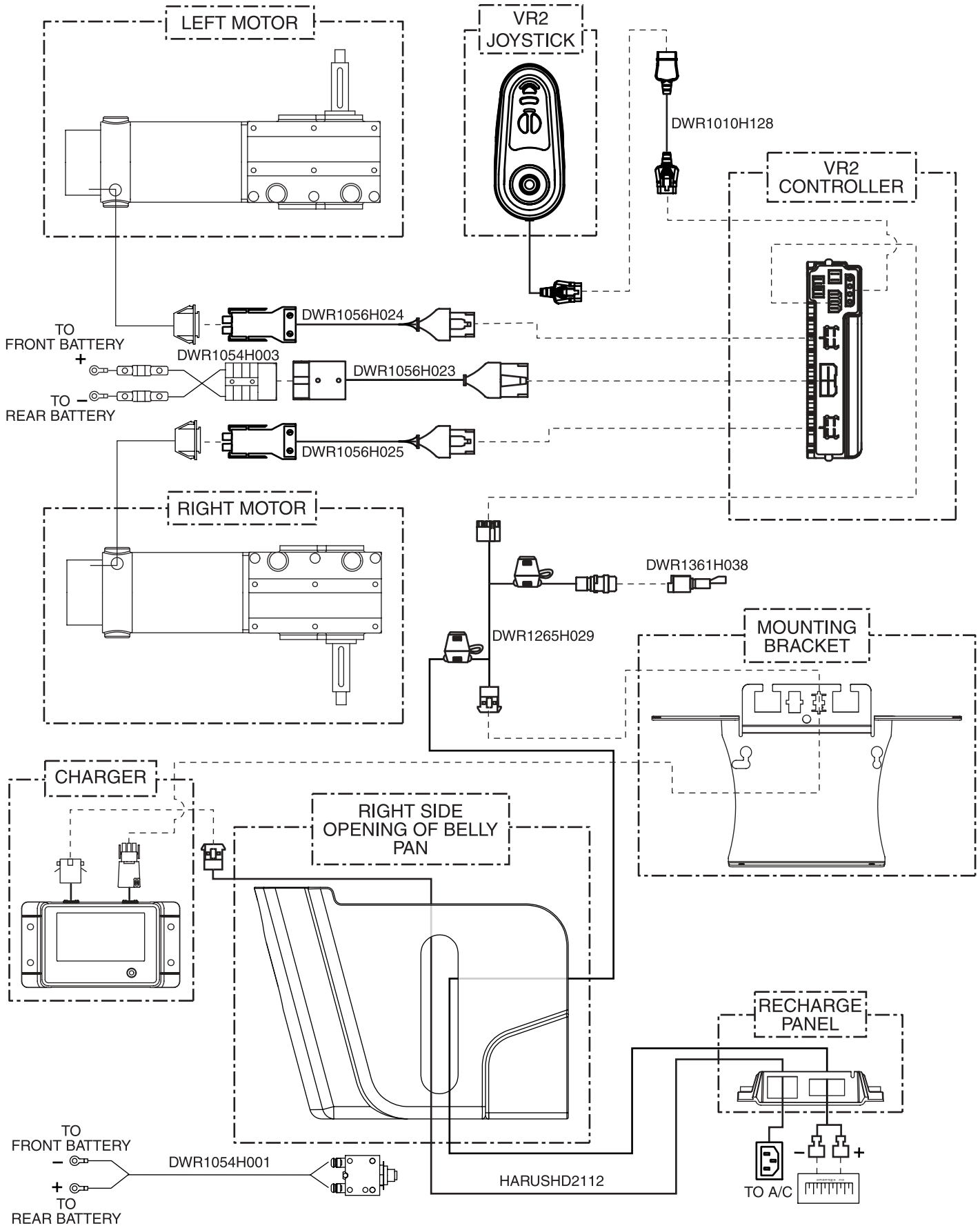


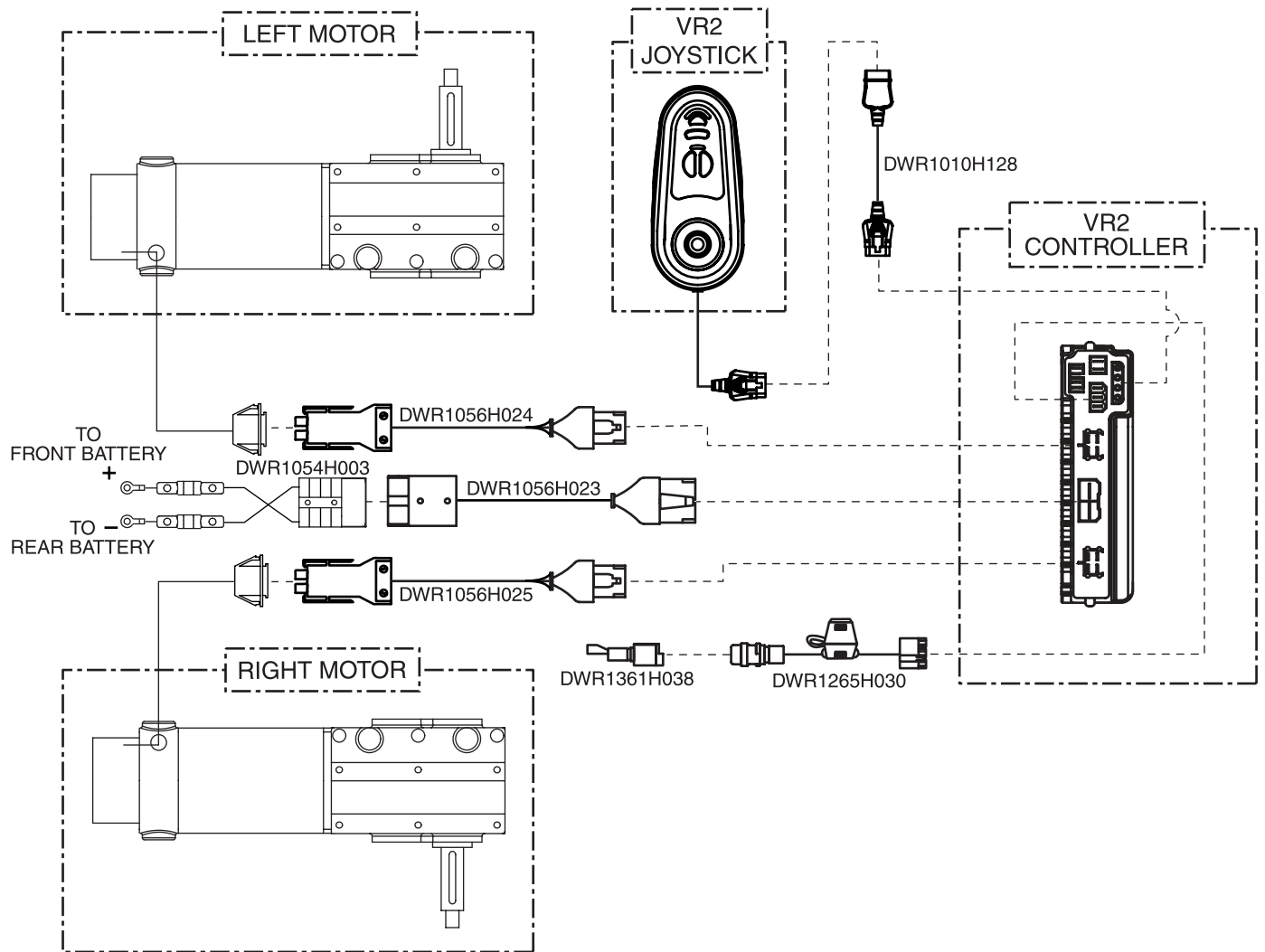


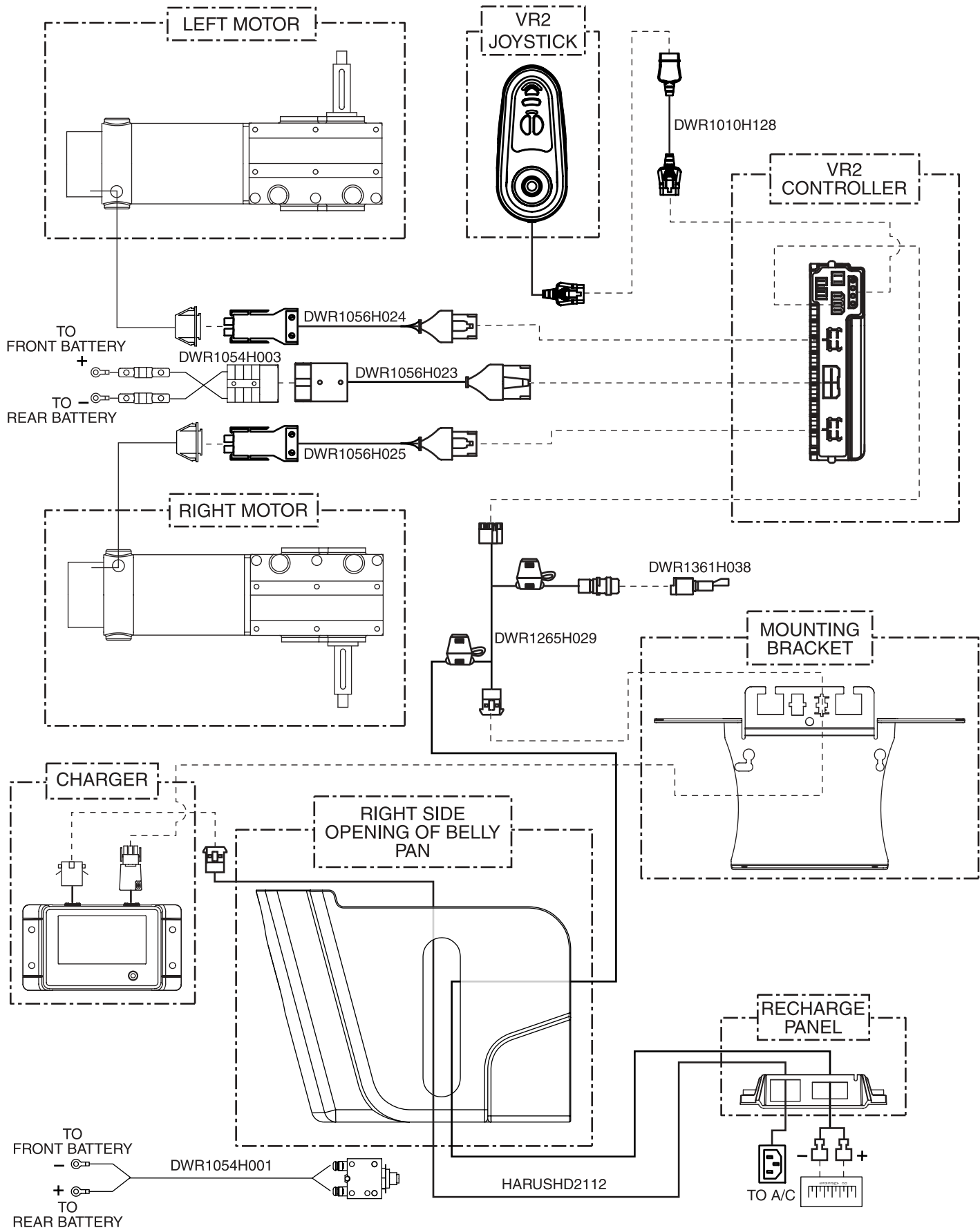


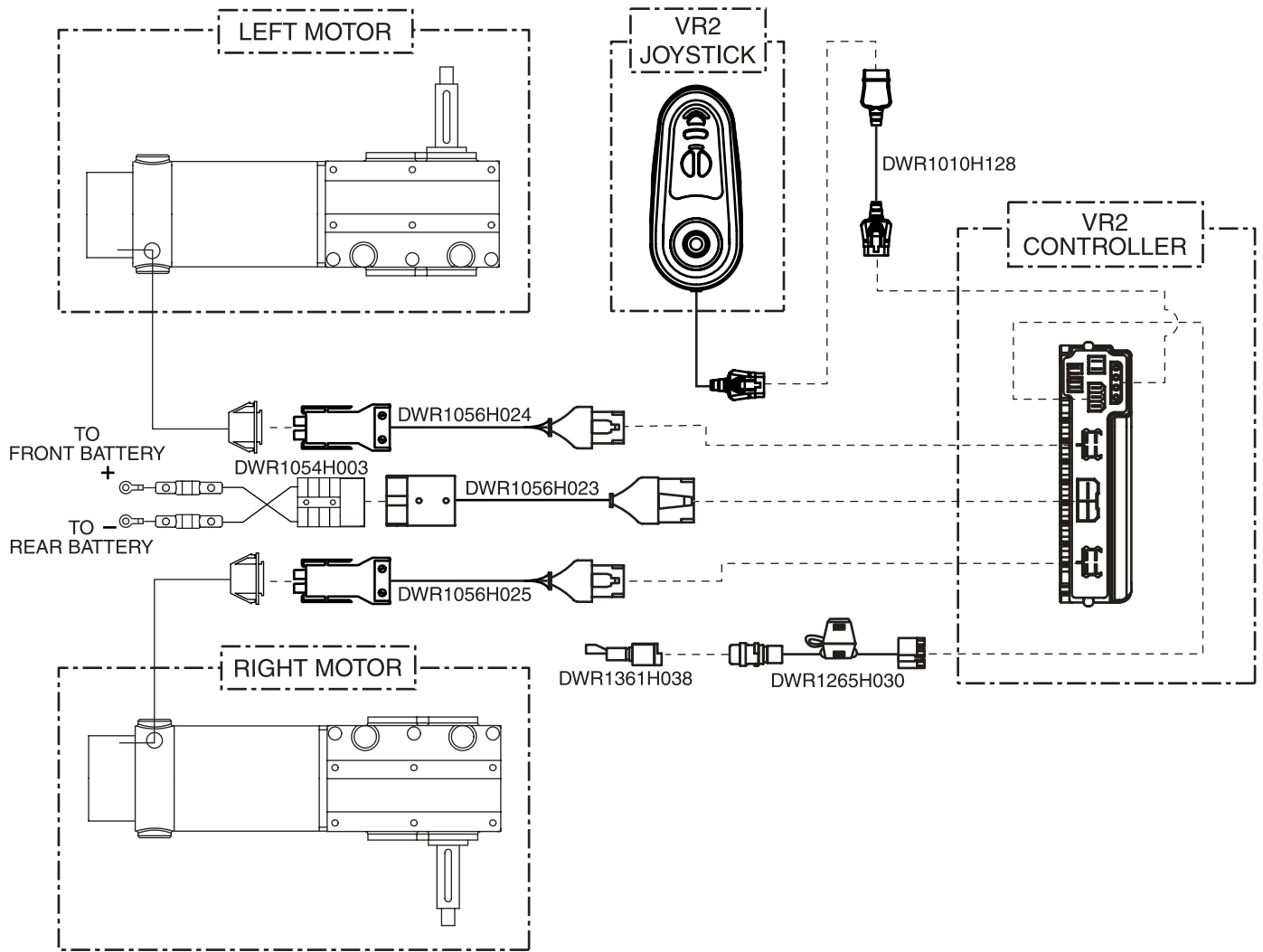


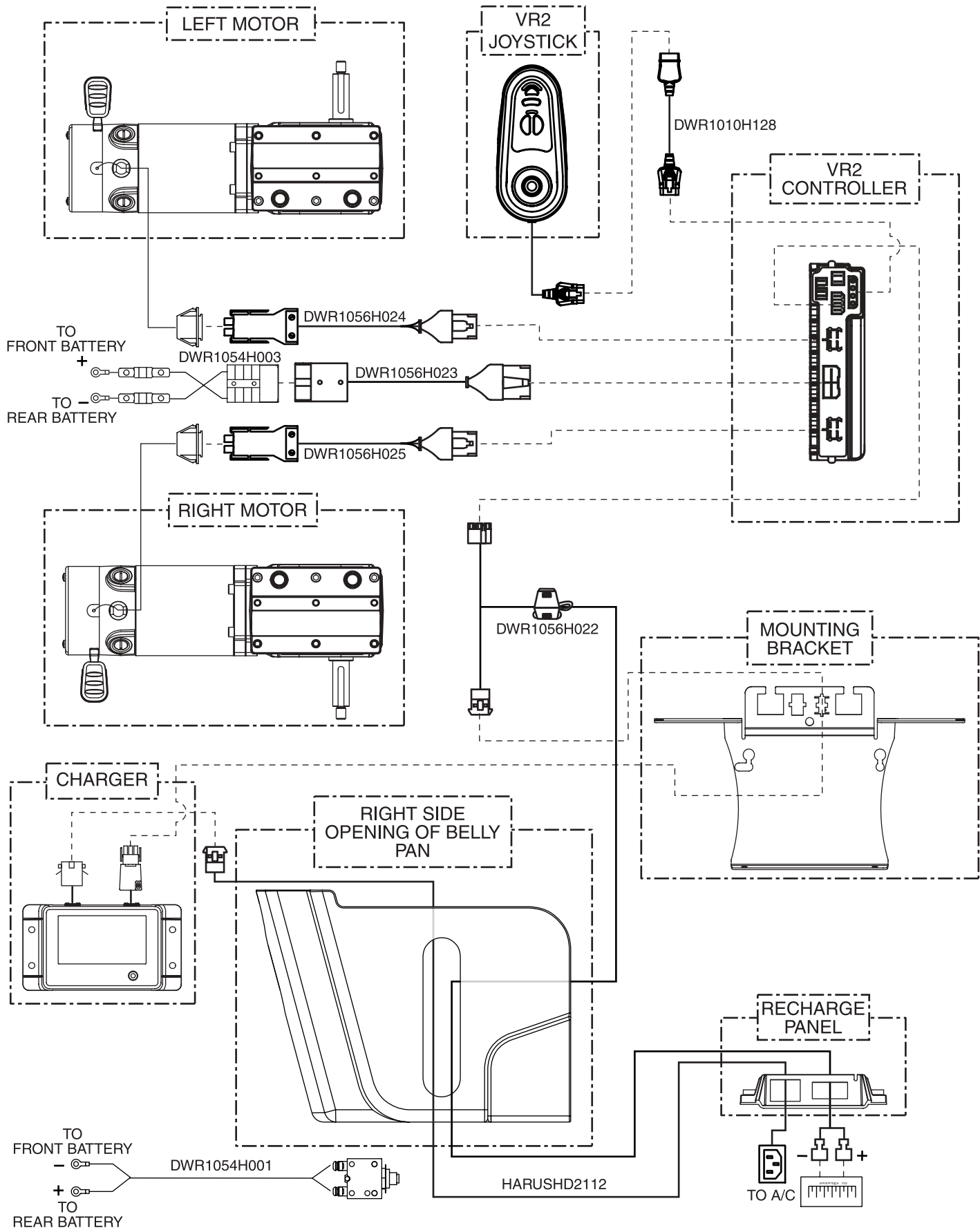


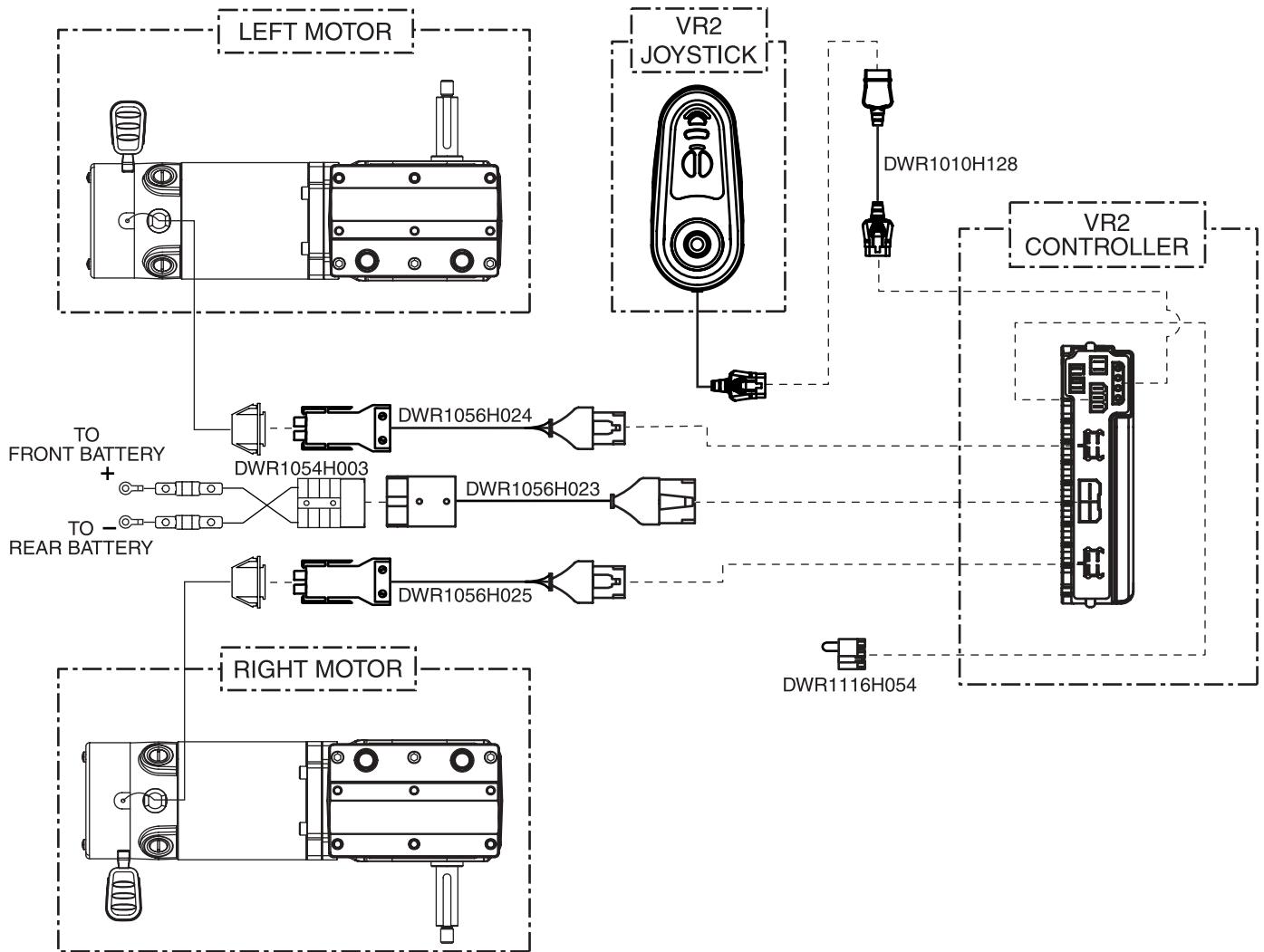


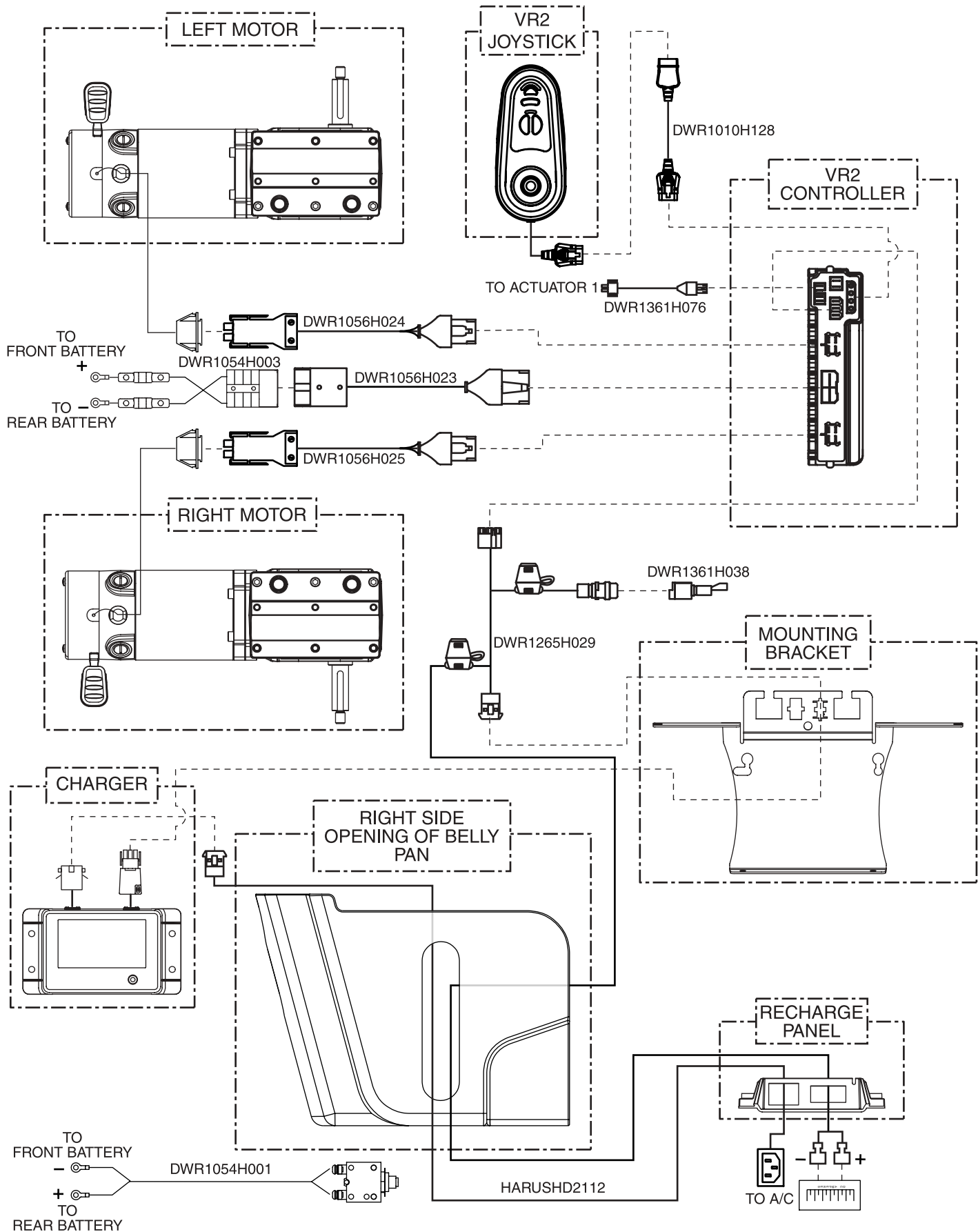


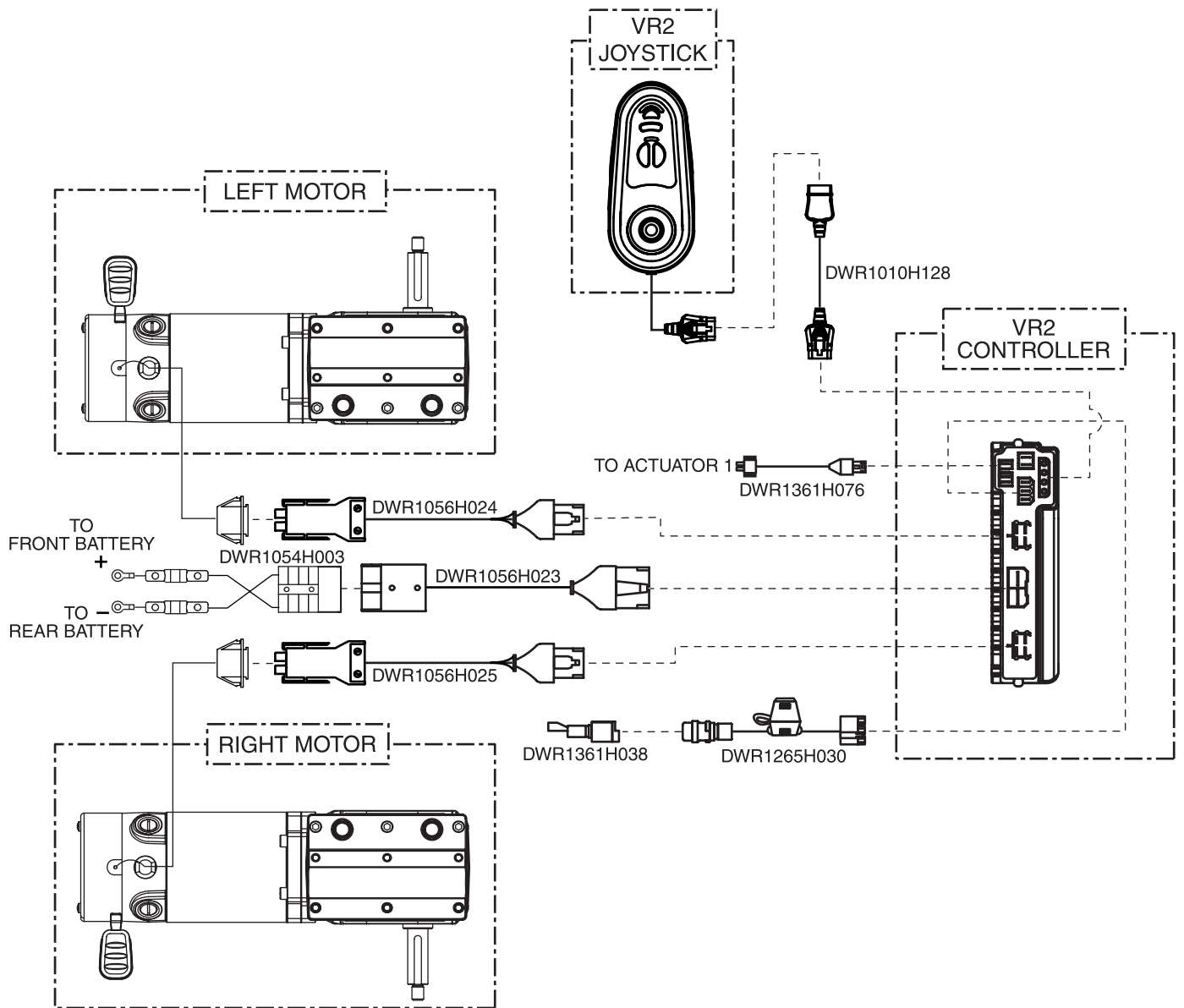


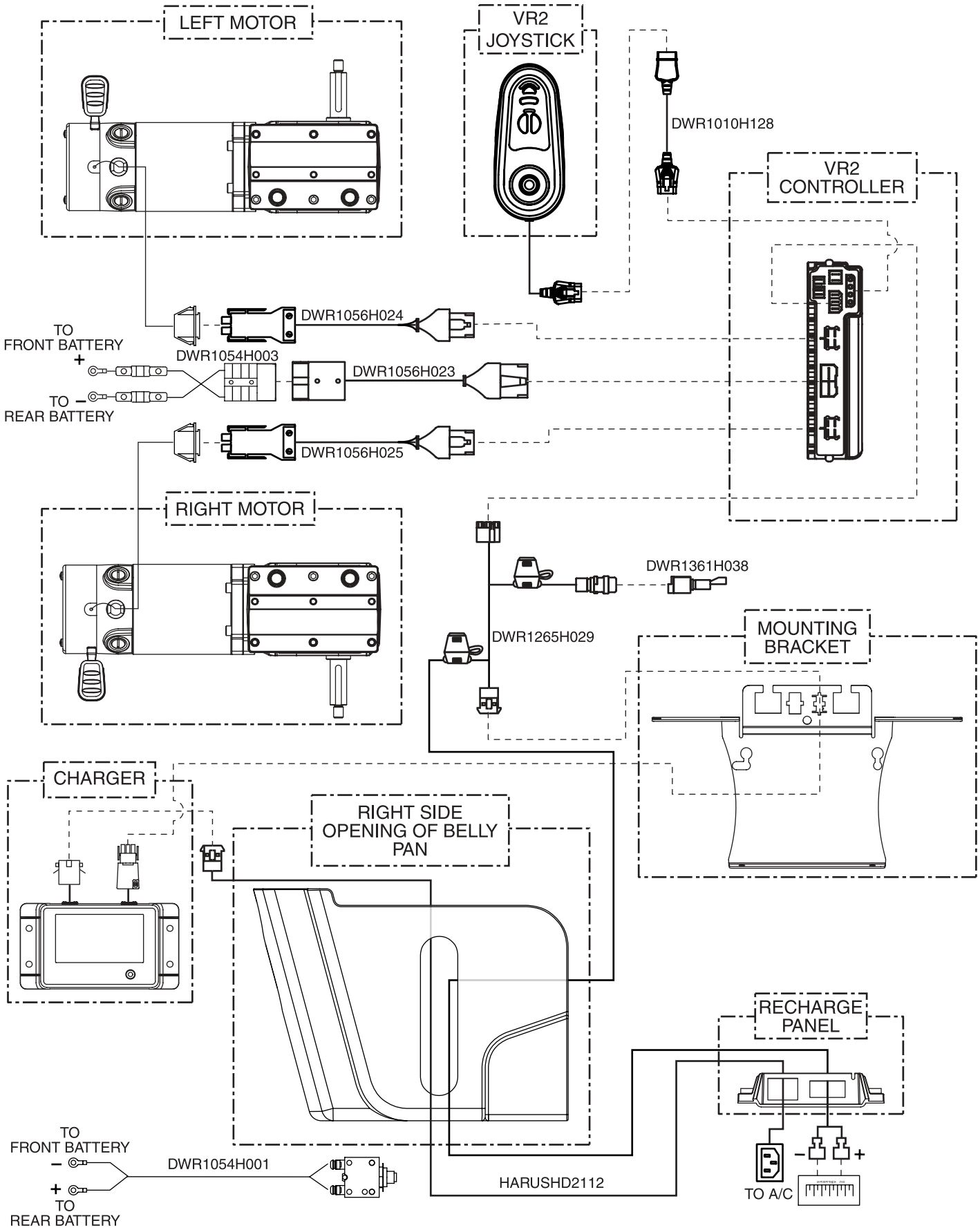


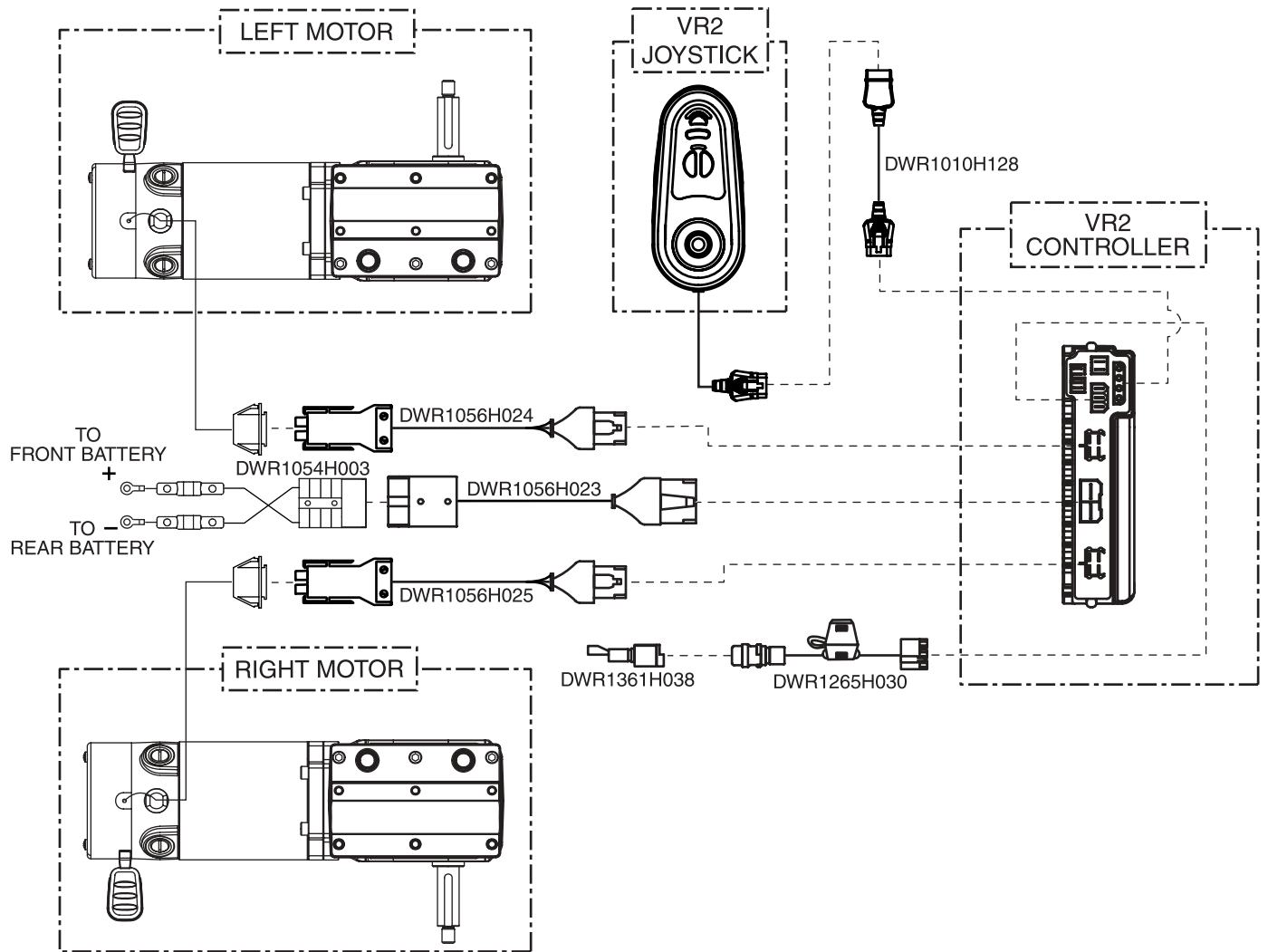


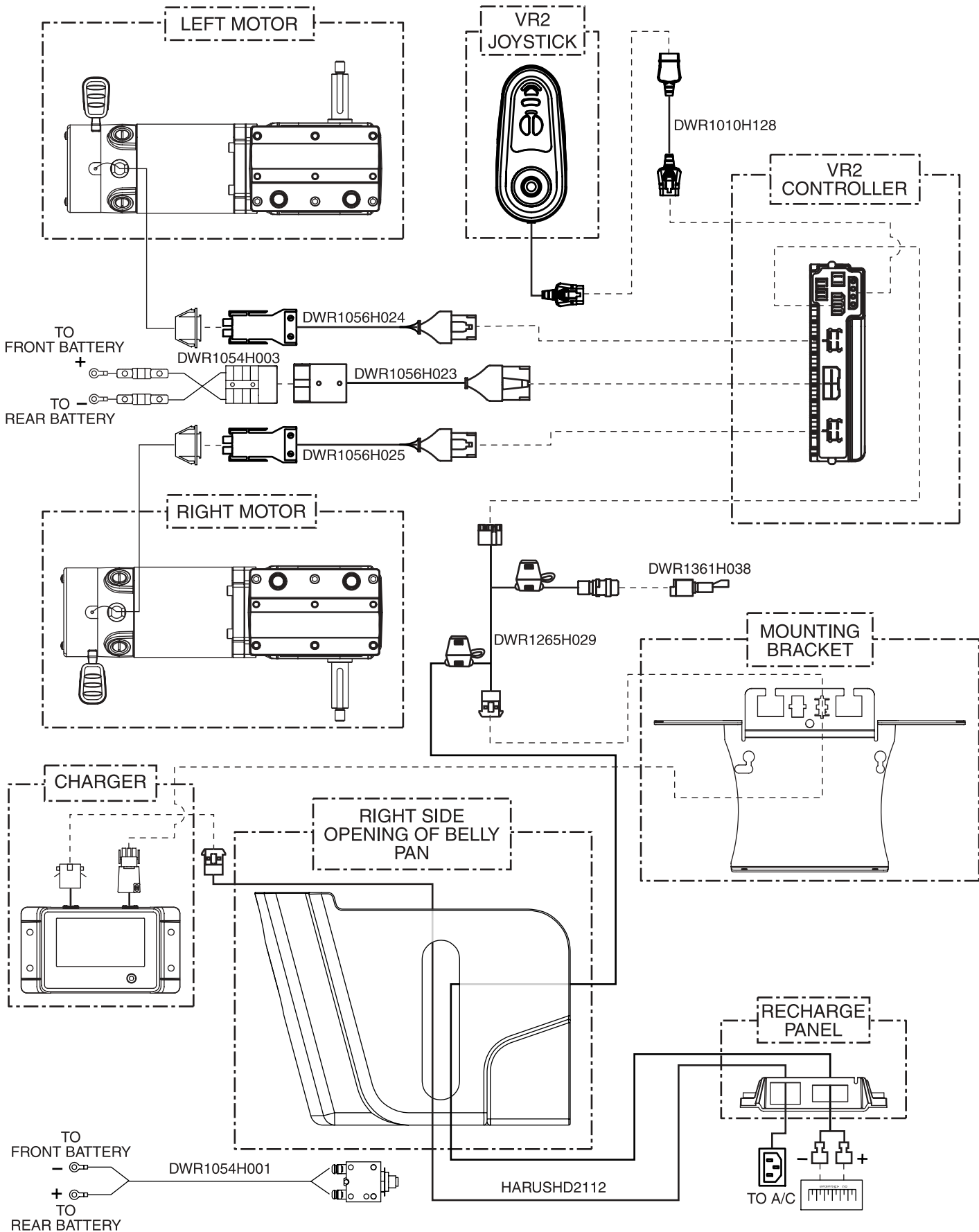


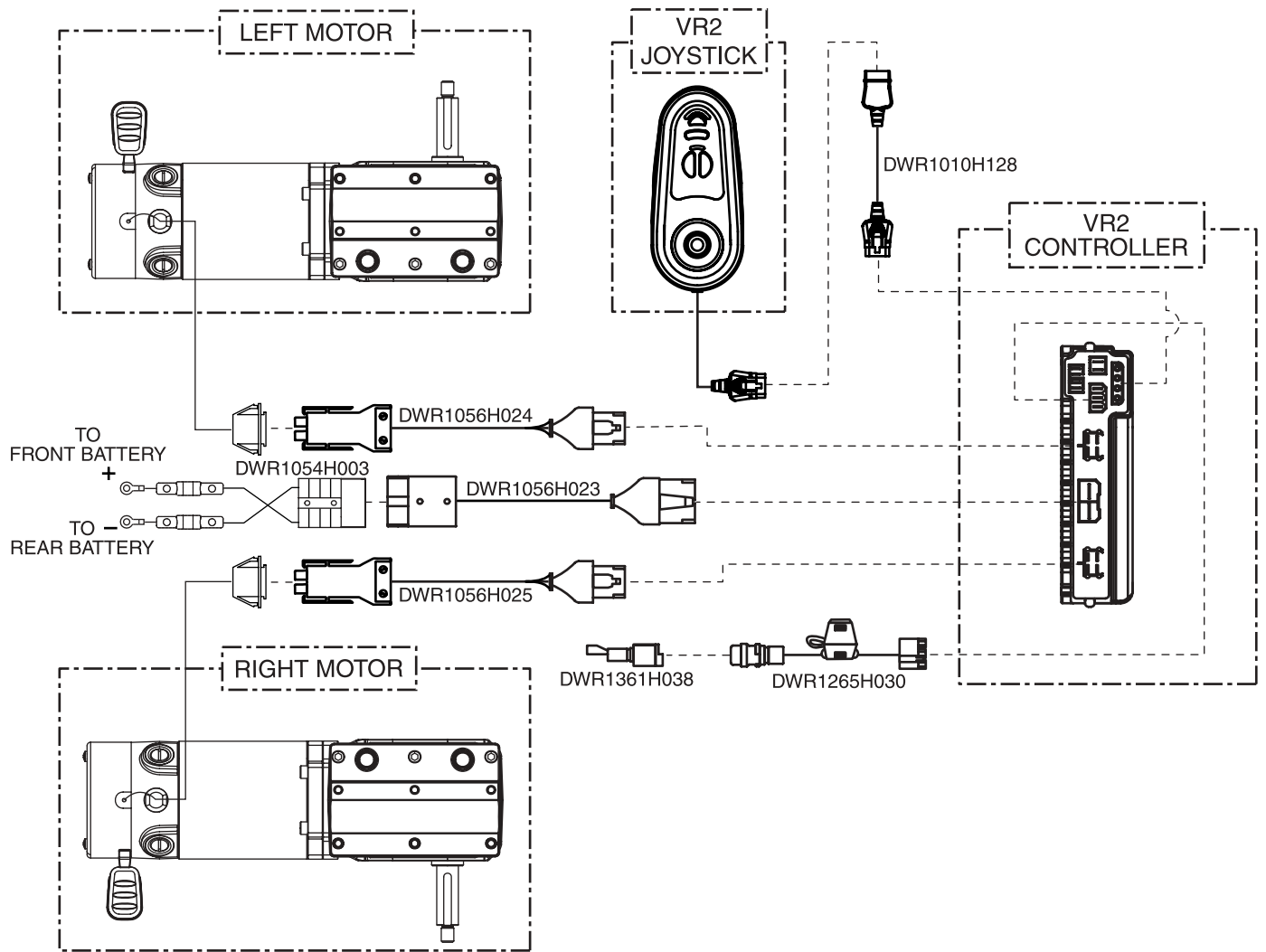












Pride

Illustrated Parts Breakdown

www.pridemobility.com
www.prideservice.com
www.prideprovider.com
www.quantumrehab.com

Pride Mobility Products® Corporation
182 Susquehanna Avenue
Exeter, PA 18643
USA

Pride Mobility Products® Company
380 Vansickle Road, Unit 350
St. Catharines, Ontario L2R 6P7
Canada

Pride Mobility Products® Ltd.
32 Wedgwood Road
Bicester, Oxon OX26 4UL
UK

Pride Mobility Products® Australia Pty. Ltd.
21 Healey Road
Dandenong, 3175
Victoria, Australia

Pride Mobility Products® Italia S.r.l.
Via del Porgresso - ang. Via del Lavoro
Loc. Prato della Corte
00065 - Fiano Romano (RM)

Pride Mobility Products® Europe B.V.
Castricummer Werf 26
1901 RW Castricum
The Netherlands