



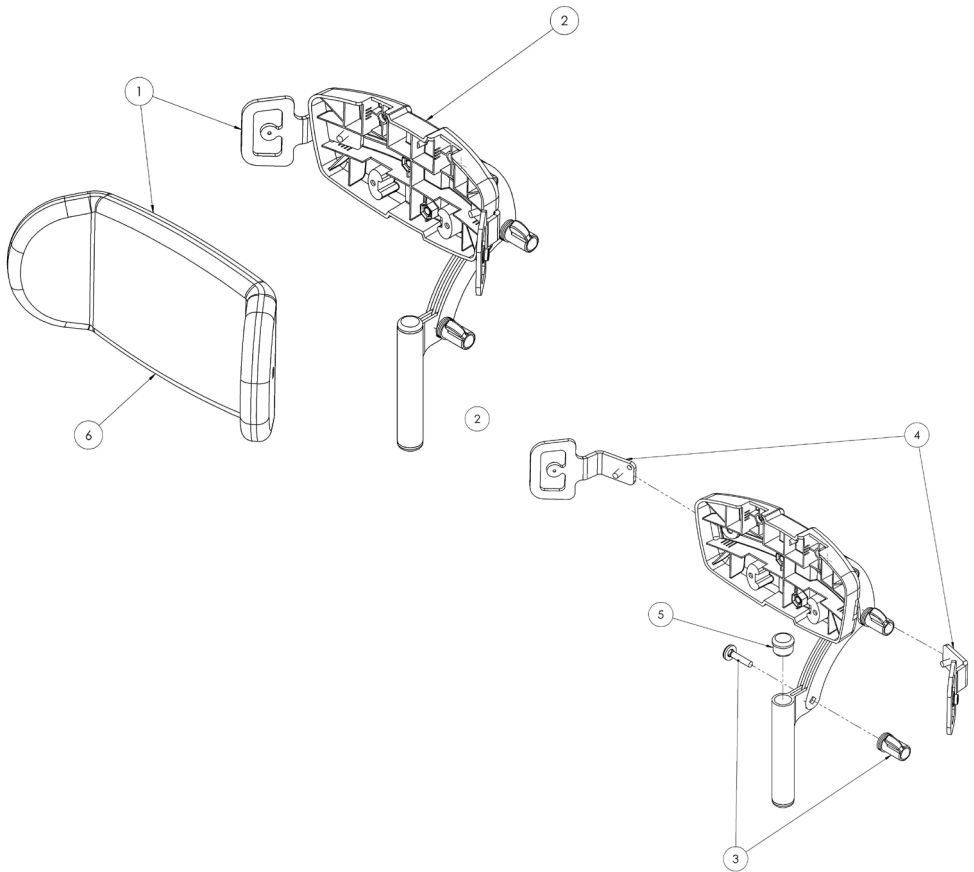
Mygo Seat

Spare Parts Catalogue



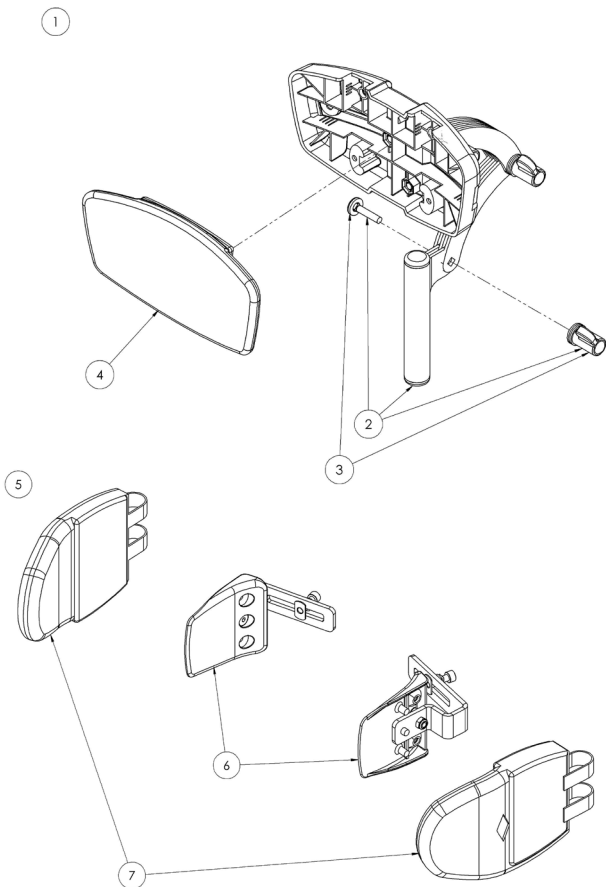
Supporting
Children

Mygo Seat Spare Parts - Contoured Head Support & Cushion



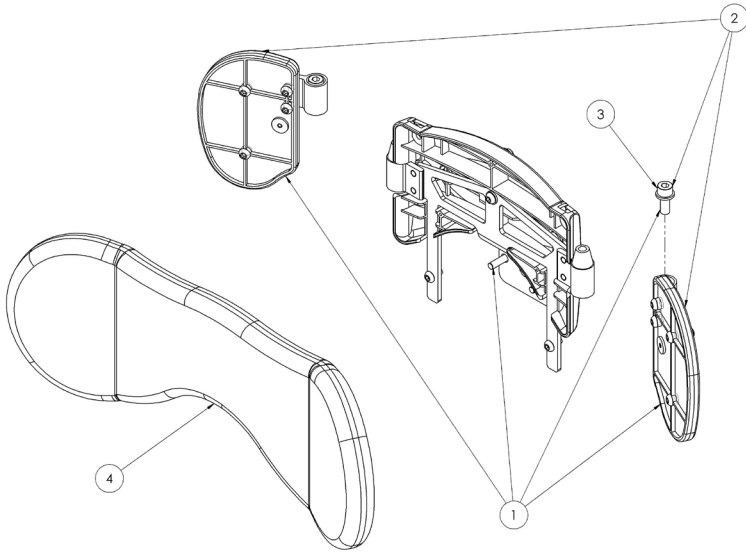
Pos.	Lecky Sales Code	Description	Min. Order Qty	Colour Options					Compatible with		
				Green	Orange	Blue	Pink	Black	Size 1	Size 2	Size 3
(Replace XX with colour)											
1	137-699-XX	Contoured Headrest Support & Cushion	1	-01	-02	-03	-04	-05	●	●	●
2	120-859	Contoured Headrest Full Assembly [Hardware Only]	1						●	●	●
3	137-9056	Wing Nut Kit	1						●	●	●
4	120-880	Headrest Laterals [Pair]	1						●	●	●
5	SF53	7/8" Dia Ribbed Tube Insert [Single]	2						●	●	●
6	137-800-XX	Contoured Headrest Cushion & Cover	1	-01	-02	-03	-04	-05	●	●	●

Mygo Seat Spare Parts - Flat Head Support & Laterals



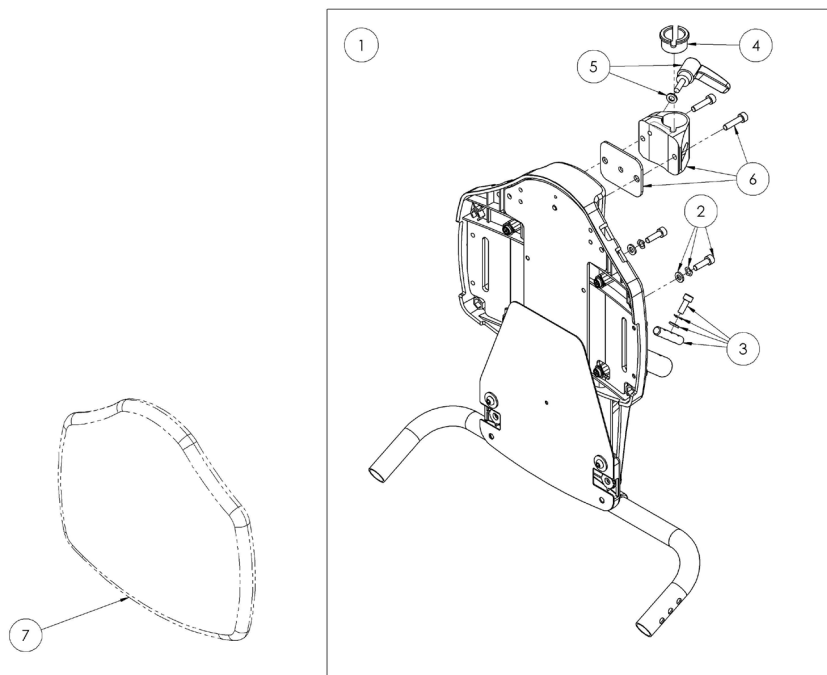
Pos.	Leckey Sales Code	Description	Min. Order Qty	Colour Options					Compatible with		
				Green	Orange	Blue	Pink	Black	Size 1	Size 2	Size 3
[Replace XX with colour]											
1	117-851-XX	Flat Head Support & Cushion	1	-01	-02	-03	-04	-05	●	●	●
2	117-697	Flat Headrest Support (Hardware Only)	1						●	●	●
3	137-9056	Wing Nut Assembly	1						●	●	●
4	117-850-XX	Flat Headrest Cover	1	-01	-02	-03	-04	-05	●	●	●
5	120-893-XX	Flat Headrest Laterals & Covers - [Pair]	1	-01	-02	-03	-04	-05	●	●	●
6	118-667	Flat Headrest Lateral Bracket [Pair]	1						●	●	●
7	137-807-XX	Headrest/Hip Laterals Covers [Pair]	1	-01	-02	-03	-04	-05	●	●	●

Mygo Seat Spare Parts - Shoulder Support



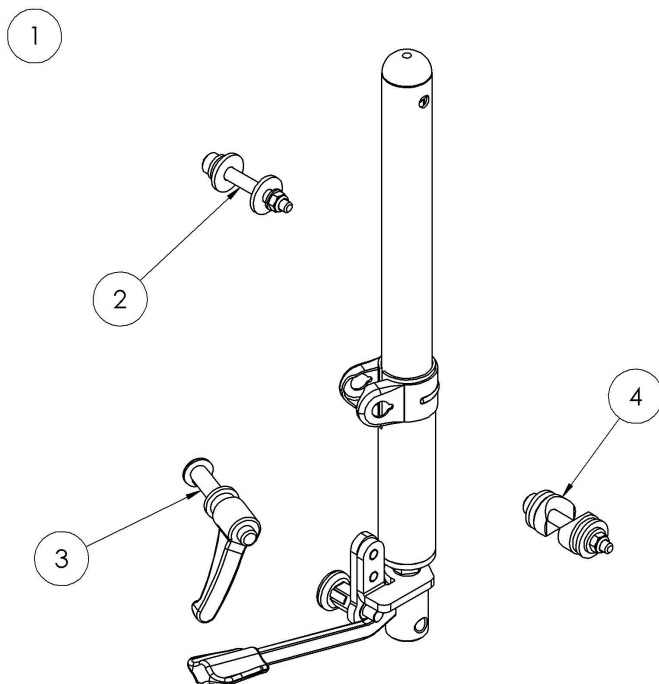
Pos.	Leckey Sales Code	Description	Min. Order Qty	Colour Options				Compatible with		
				Grey	Orange	Blue	Pink	Size 1	Size 2	Size 3
[Replace XX with colour]										
1	137-621	Shoulder Support Hardware	1					●	●	●
2	137-624	Shoulder Wing Assembly [Pair]	1					●	●	●
3	SP-1016	Taperlock Adjustment Screw [Pair]	1					●	●	●
4	137-801-XX	Shoulder Cushion	1	-06	-07	-08	-09	●	●	●

Mygo Seat Spare Parts - Backrest



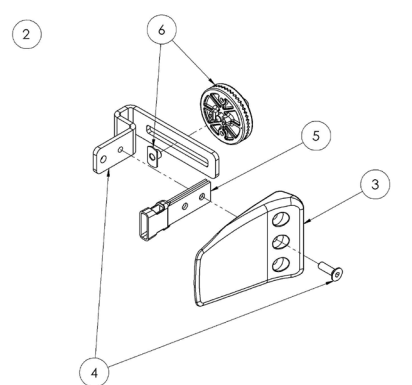
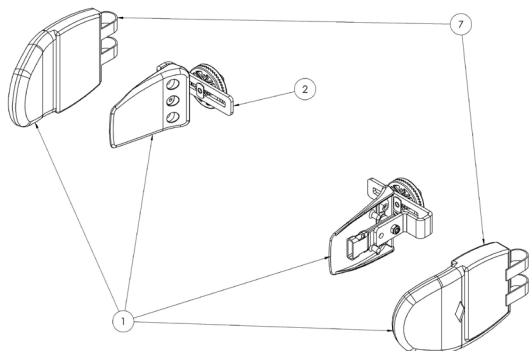
Pos.	Leckey Sales Code	Description	Min. Order Qty	Colour Options				Compatible with		
				Grey	Orange	Blue	Pink	Size 1	Size 2	Size 3
[Replace XX with colour]										
1	117-670	Backrest Assembly [Size 1]	1					●		
1	137-670	Backrest Assembly [Size 2]	1						●	
1	185-605	Backrest Assembly [Size 3]	1							●
2	SP-1001	Sliding Backrest Attachment Kit	1					●	●	●
3	137-9015	Backrest Adjustment Kit	1					●	●	●
4	118-166	Head Support Collar	1					●	●	●
5	SP-1000	Head Support Adjustment Kit	1					●	●	●
6	117-9016	Head Support Mtg Assembly [Size 1]	1					●		
6	137-9016	Head Support Mtg Assembly [Size 2/3]	1						●	●
7	137-802-XX	Backrest Cushion	1	-06	-07	-08	-09	●	●	●

Mygo Seat Spare Parts - Dynamic Backrest



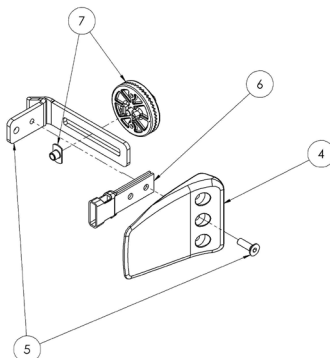
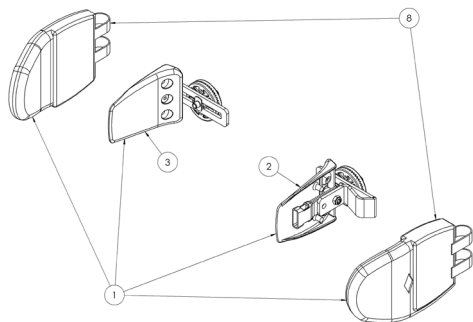
Pos.	Leckey Sales Code	Description	Min. Order Qty	Compatible with		
				Size 1	Size 2	Size 3
1	137-661	Dynamic Backrest Assy (100N Gas Spring)	1	●	●	●
1	137-662	Dynamic Backrest Assy (150N Gas Spring)	1	●	●	●
2	SP-1060	Dynamic Backrest Assy Attachment Kit	1	●	●	●
3	SP-1061	Dynamic Backrest Adjustment Kit	1	●	●	●
4	SP-1004	Back Angle Attachment Kit	1	●	●	●

Mygo Seat Spare Parts - Rigid Laterals



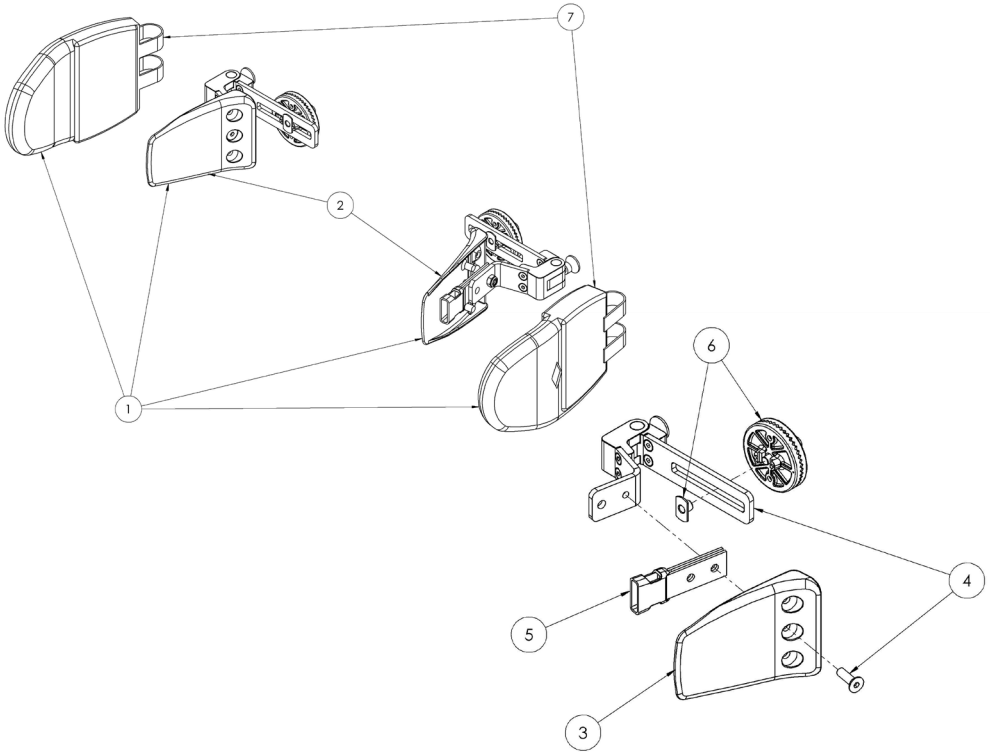
Pos.	Leckey Sales Code	Description	Min. Order Qty	Compatible with		
				Size 1	Size 2	Size 3
1	117-803	Rigid Laterals & Covers - Black [Pair]	1	●	●	●
1	137-205	Rigid Laterals & Covers [No Buckle] - Black [Pair]	1	●	●	●
1	185-608	Rigid Laterals & Covers [Size 3] - Black [Pair]	1			●
2	117-764	Lateral Support [Single]	1	●	●	●
2	137-206	Lateral Support [No Buckle] [Single]	1	●	●	●
2	185-606	LH Lateral Support [Size 3] [Single]	1			●
2	185-607	RH Lateral Support [Size 3] [Single]	1			●
3	117-176	Lateral [Single]	1	●	●	●
4	117-9003	Lateral Bracket & Screw Kit [Single]	1	●	●	●
4	185-614	LH Lateral Bracket & Screw Kit [Size 3] [Single]	1			●
4	185-615	RH Lateral Bracket & Screw Kit [Size 3] [Single]	1			●
5	117-700	Harness Buckle Attachment [Single]	1	●	●	●
6	120-9027	Angle Lock Assembly [Single]	1	●	●	●
7	137-806-05	Lateral Covers - Black [Pair]	1	●	●	●

Mygo Seat Spare Parts - Rigid Laterals Extended Height



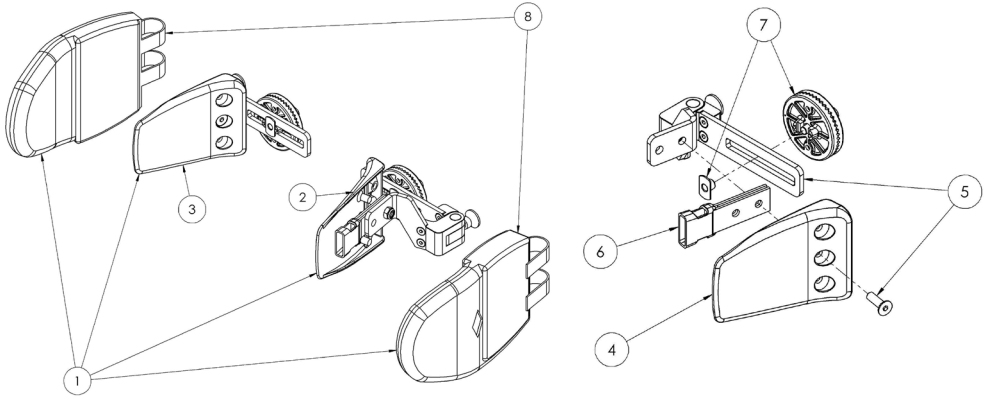
Pos.	Leckey Sales Code	Description	Min. Order Qty	Colour Options		Compatible with		
				Black	Black Vinyl	Size 1	Size 2	Size 3
1	137-633	Rigid Laterals Extended Height 50mm & Covers [Pair]	1	[No Extension Req.]	-05VIN	●	●	●
1	137-207	Rigid Laterals Extended Height 50mm & Covers [No Buckle] [Pair]	1	[No Extension Req.]	-05VIN	●	●	●
1	137-193	Rigid Laterals Extended Height 100mm & Covers [Pair]	1	[No Extension Req.]	-05VIN	●	●	●
1	185-633	Rigid Laterals Extended Height & Covers - Mygo 3 [Pair]	1	[No Extension Req.]	-05VIN		●	●
2	137-625	LH Lateral Support 50mm [Single]	1			●	●	●
2	137-208	LH Lateral Support 50mm [No Buckle] [Single]	1			●	●	●
2	137-622	LH Lateral Support 100mm [Single]	1			●	●	●
2	185-606	LH Lateral Support - Mygo 3 [Single]	1					●
3	137-626	RH Lateral Support 50mm [Single]	1			●	●	●
3	137-209	RH Lateral Support 50mm [No Buckle] [Single]	1			●	●	●
3	137-623	RH Lateral Support 100mm [Single]	1			●	●	●
3	185-607	RH Lateral Support - Mygo 3 [Single]	1					●
4	117-176	Lateral [Single]	1			●	●	●
5	137-9018	Lateral Bracket 50mm & Screw Kit LH [Single]	1			●	●	●
5	137-9019	Lateral Bracket 50mm & Screw Kit RH [Single]	1			●	●	●
5	137-9007	Lateral Bracket 100mm & Screw Kit LH [Single]	1			●	●	●
5	137-9008	Lateral Bracket 100mm & Screw Kit RH [Single]	1			●	●	●
5	185-614	Lateral Bracket & Screw Kit LH - Mygo 3 [Single]	1			●	●	●
5	185-615	Lateral Bracket & Screw Kit RH - Mygo 3 [Single]	1			●	●	●
6	117-700	Harness Buckle Attachment [Single]	1			●	●	●
7	120-9027	Angle Lock Assembly [Single]	1			●	●	●
8	137-806-XX	Lateral Covers [Pair]	1	-05	-05VIN	●	●	●

Mygo Seat Spare Parts - Flipaway Laterals & Covers



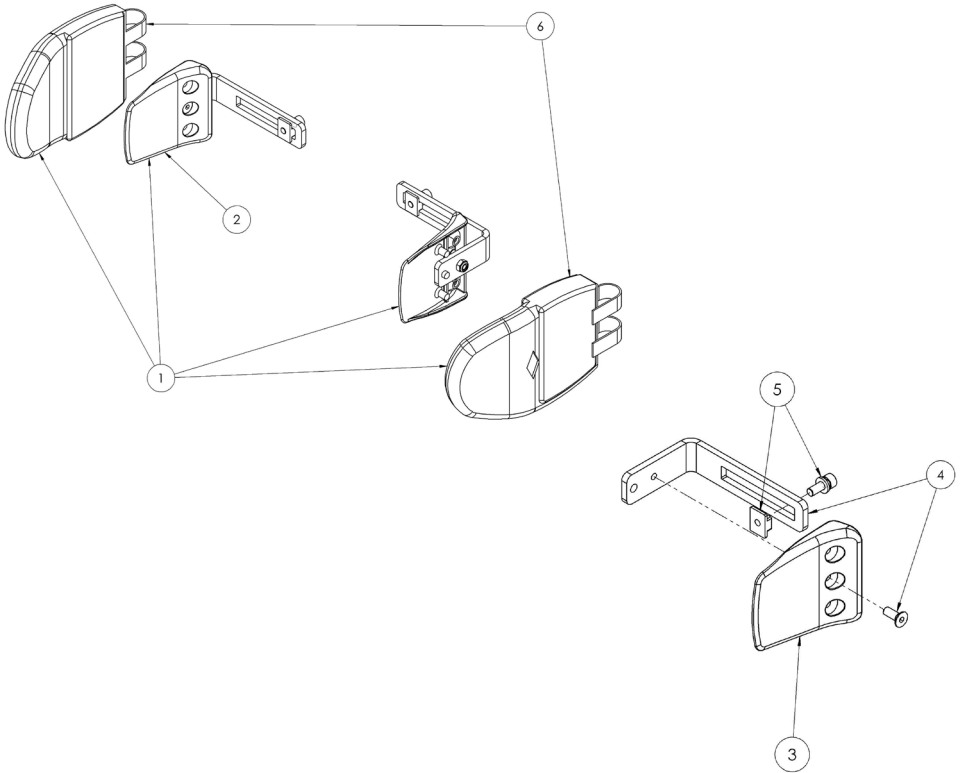
Pos.	Leckey Sales Code	Description	Min. Order Qty	Compatible with		
				Size 1	Size 2	Size 3
1	117-837	Flip Away Laterals & Covers - Black [Pair]	1	●	●	●
1	137-200	Flip Away Laterals & Covers (No buckle) - Black [Pair]	1	●	●	●
2	117-825	Flip Away Laterals Support [Pair]	1	●	●	●
2	137-201	Flip Away Laterals Support (No buckle) [Pair]	1	●	●	●
3	117-176	Lateral [Single]	1	●	●	●
4	117-9006	Lateral Bracket & Screw Kit [Single]	1	●	●	●
5	117-700	Harness Buckle Attachment [Single]	1	●	●	●
6	120-9027	Angle Lock Assembly [Single]	1	●	●	●
7	137-806-05	Lateral Covers - Black [Pair]	1	●	●	●

Mygo Seat Spare Parts - Flipaway Laterals Extended Height



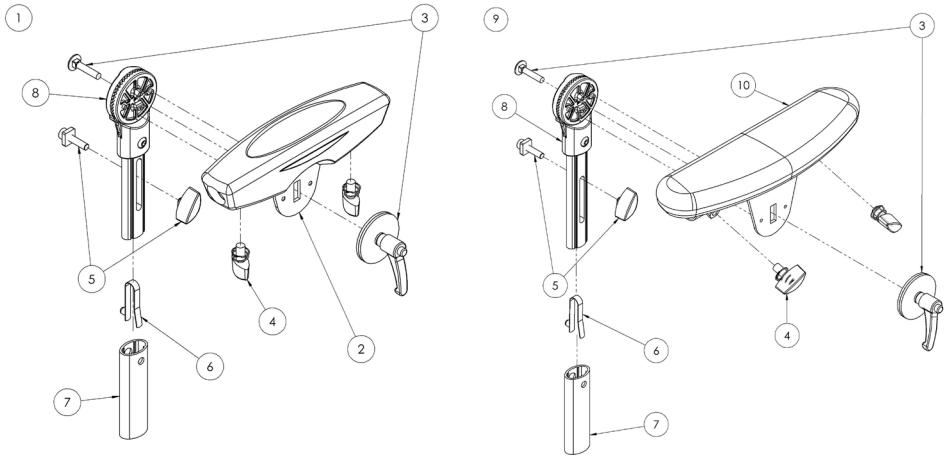
Pos.	Leckey Sales Code	Description	Min. Order Qty	Compatible with		
				Size 1	Size 2	Size 3
1	137-634	Flipaway Lateral Extended Height & Covers - Black [Pair]	1	●	●	●
1	137-202	Flipaway Lateral Extended Height & Covers (No buckle) - Black [Pair]	1	●	●	●
2	137-627	LH Flipaway Lateral Support [Single]	1	●	●	●
2	137-203	LH Flipaway Lateral Support (No Buckle) [Single]	1	●	●	●
3	137-628	RH Flipaway Lateral Support [Single]	1	●	●	●
3	137-204	RH Flipaway Lateral Support (No Buckle) [Single]	1	●	●	●
4	117-176	Lateral	1	●	●	●
5	137-9007	Lateral Bracket & Screw Kit LH	1	●	●	●
5	137-9008	Lateral Bracket & Screw Kit RH	1	●	●	●
6	117-700	Harness Buckle Attachment	1	●	●	●
7	120-9027	Angle Lock Assembly	1	●	●	●
8	137-806-05	Lateral Covers - Black [Pair]	1	●	●	●

Mygo Seat Spare Parts - Hip Laterals



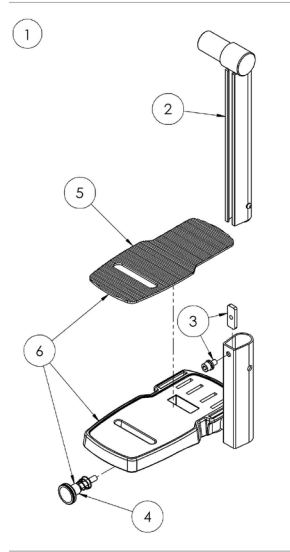
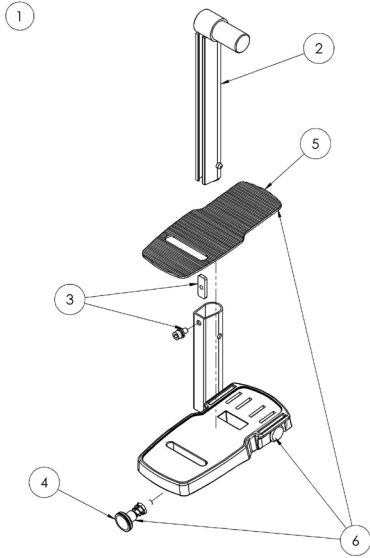
Pos.	Leckey Sales Code	Description	Min. Order Qty	Colour Options					Compatible with		
				Green	Orange	Blue	Pink	Black	Size 1	Size 2	Size 3
[Replace XX with colour]				Green	Orange	Blue	Pink	Black	Size 1	Size 2	Size 3
1	137-632	Hip Laterals & Covers [Pair]	1	-01	-02	-03	-04	(No Extension Req.)	●	●	●
2	137-631	Hip Lateral Support [Single]	1						●	●	●
3	118-049	Lateral [Single]	1						●	●	●
4	137-9020	Lateral Bracket & Screw Kit [Single]	1						●	●	●
5	SP-1003	Hip Lateral Locking Kit [Single]	1						●	●	●
6	137-807-XX	Headrest / Hip Laterals Covers [Pair]	1	-01	-02	-03	-04	-05	●	●	●

Mygo Seat Spare Parts - Armrest



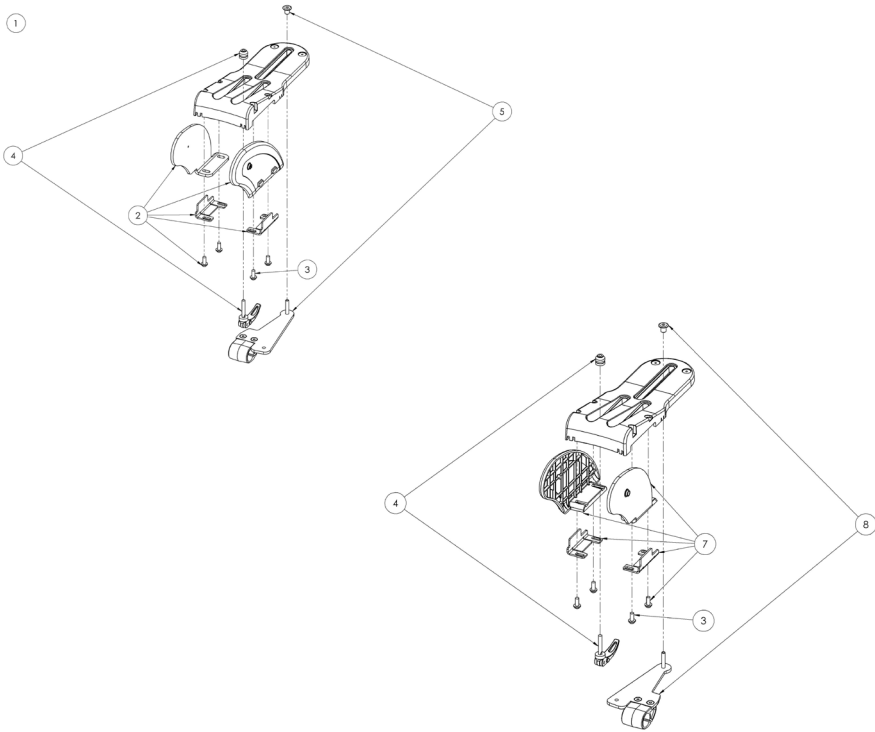
Pos.	Leckey Sales Code	Description	Min. Order Qty	Compatible with		
				Size 1	Size 2	Size 3
1	117-9004	Armrest Assembly (Size 1) [Single]	1	●		
1	137-9017	Armrest Assembly (Size 2) [Single]	1		●	
2	117-715	Armrest Moulded Assembly	1	●	●	●
3	137-9011	Armrest Adjustment Kit	1	●	●	●
4	137-9013	Armrest Locking Kit	1	●	●	●
5	137-9012	Armrest Outer Adjustment Assembly	1	●	●	●
6	SJ109	1/4 Single Popper [Pair]	1	●	●	●
7	117-145	Armrest Outer Extrusion [Single]	1	●	●	●
8	117-9005	Armrest Adjuster (Size 1) [Single]	1	●		
8	137-9014	Armrest Adjuster (Size 2/3) [Single]	1		●	●
9	185-603	Armrest Assembly (Size 3) [Single]	1			●
10	185-609	Armrest (Size 3) [Single]	1			●

Mygo Seat Spare Parts - Footrest



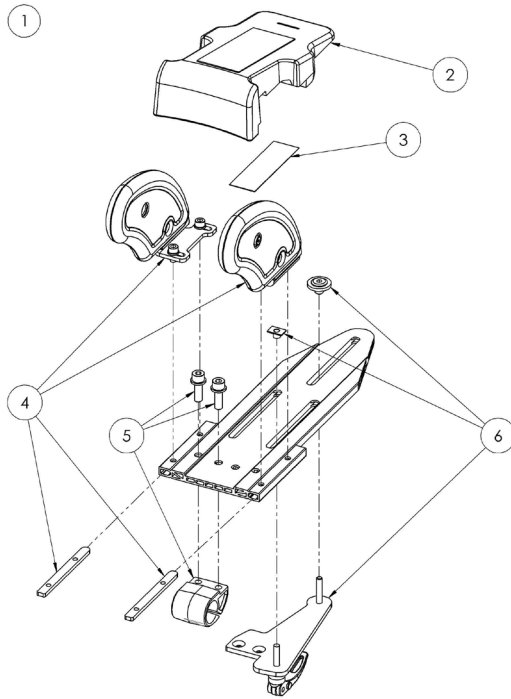
Pos.	Leckey Sales Code	Description	Min. Order Qty	Compatible with		
				Size 1	Size 2	Size 3
1	117-695	Footplate Assembly LH (Size 1)	1	●		
1	137-641	Footplate Assembly LH (Size 2/3)	1		●	●
1	117-696	Footplate Assembly RH (Size 1)	1	●		
1	137-640	Footplate Assembly RH (Size 2/3)	1		●	●
2	117-703	Calf Inner Support Assembly LH	1	●	●	●
2	117-704	Calf Inner Support Assembly RH	1	●	●	●
3	137-9005	Footplate Locking Assembly	1	●	●	●
4	137-9006	Footplate Adjuster Assembly	1	●	●	●
5	117-156	Footplate Rubber Matting	1	●	●	●
6	117-9008	Footplate Assembly LH (Size 1)	1	●		
6	137-9022	Footplate Assembly LH (Size 2/3)	1		●	●
6	117-9009	Footplate Assembly RH (Size 1)	1	●		
6	137-9021	Footplate Assembly RH (Size 2/3)	1		●	●

Mygo Seat Spare Parts - (Size 1) Abduction Assembly



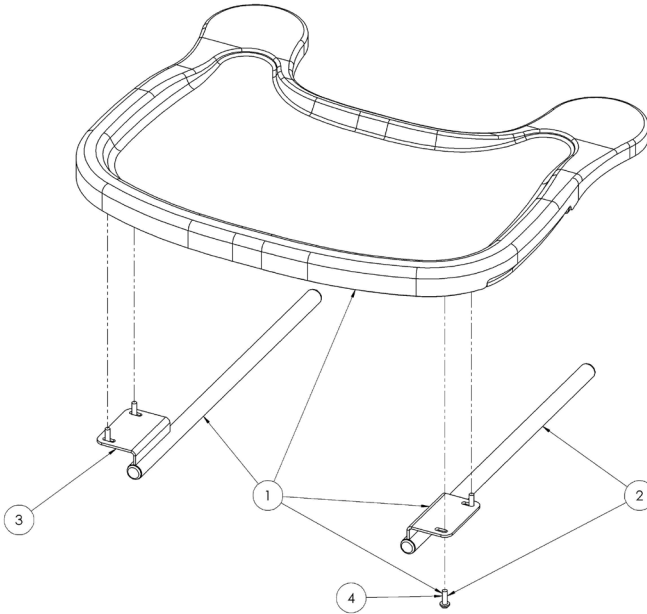
Pos.	Leckey Sales Code	Description	Min. Order Qty	Compatible with		
				Size 1	Size 2	Size 3
1	117-694	Abduction Assembly LH (Size 1)	1	●		
1	117-693	Abduction Assembly RH (Size 1)	1	●		
2	117-705	LH Femoral Guards Assembly	1	●		
3	SP-1011	Femoral Guide Attachment Kit (Size 1)	1	●		
4	SP-1010	Abduction Assembly Adjuster Kit (Size 1)	1	●		
5	117-707	LH Abduction Seat Base Attachment (Size 1)	1	●		
6	117-693	Abduction Assembly RH (Size 1)	1	●		
7	117-708	RH Femoral Guards Assembly	1	●		
8	117-710	RH Abduction Seat Base Attachment (Size 1)	1	●		

Mygo Seat Spare Parts - (Size 2/3) Abduction Assembly



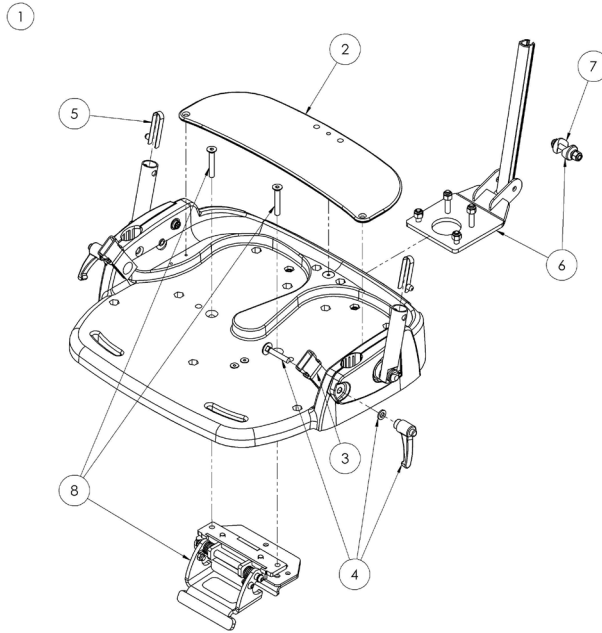
Pos.	Leckey Sales Code	Description	Min. Order Qty	Compatible with		
				Size 1	Size 2	Size 3
1	137-602	Abduction Assembly LH (Size 2/3)	1		●	●
1	137-601	Abduction Assembly RH (Size 2/3)	1		●	●
2	137-101	Ramp	1		●	●
3	137-9009	Ramp Attachment Velcro Kit	1		●	●
4	137-612	Femoral Guards Assembly [Pair]	1		●	●
5	137-613	Calf Casting Assembly	1		●	●
6	137-614	LH Abduction Assembly Kit	1		●	●
6	137-615	RH Abduction Assembly Kit	1		●	●

Mygo Seat Spare Parts - Tray Assembly



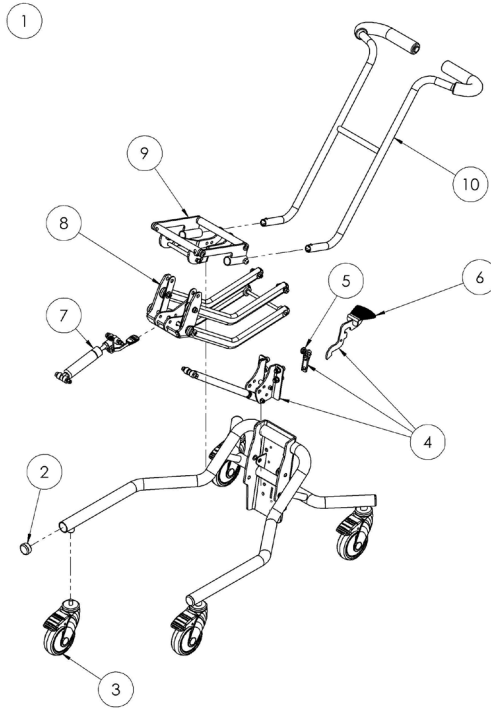
Pos.	Leckey Sales Code	Description	Min. Order Qty	Compatible with		
				Size 1	Size 2	Size 3
1	117-724	Tray Assembly	1	●	●	
1	117-646	Tray Assembly - Black	1	●	●	
1	185-611	Tray Assembly (Size 3)	1			●
1	117-647	Tray Assembly - Black (Size 3)	1			●
1	117-652	Padded Tray Assembly - Black	1	●	●	
2	117-723	Tray Bar Assembly LH	1	●	●	
2	185-616	Tray Bar Assembly LH (Size 3)	1			●
3	117-722	Tray Bar Assembly RH	1	●	●	
3	185-617	Tray Bar Assembly RH (Size 3)	1			●
4	SP-1021	Tray Bar Screw Kit	1	●	●	●

Mygo Seat Spare Parts - Seatbase Assembly



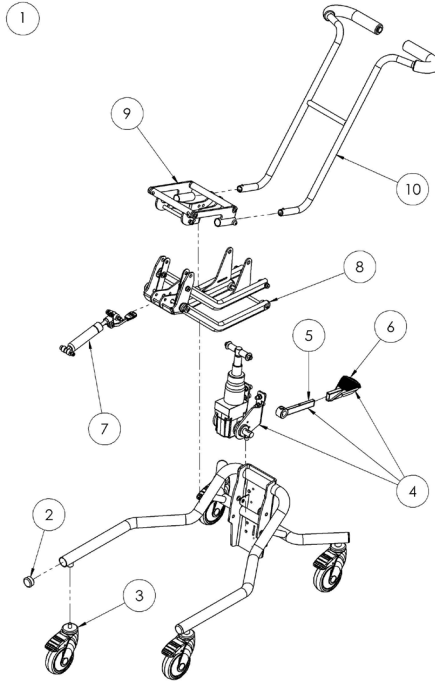
Pos.	Leckey Sales Code	Description	Min. Order Qty	Compatible with		
				Size 1	Size 2	Size 3
1	137-713	Seatbase Assembly [Size 1/2]	1	●	●	
1	185-713	Seatbase Assembly [Size 3]	1			●
2	137-121	Seatbase ABS Shelf [Size 1]	1	●		
2	137-120	Seatbase ABS Shelf [Size 2]	1		●	
2	185-112	Seatbase ABS Shelf [Size 3]	1			●
3	117-749	Pelvic Harness Strap	1	●	●	●
4	SP-9005	Harness Attachment Kit [Single]	1	●	●	●
5	SJ109	1/4 Single Popper Kit [Pair]	1	●	●	●
6	137-716	Back Angle Assembly	1			
7	SP-1004	Back Angle Attachment Kit	1	●	●	●
8	137-720	Interface Assembly	1	●	●	●

Mygo Seat Spare Parts - Indoor Hi-Low Chassis - Footpedal



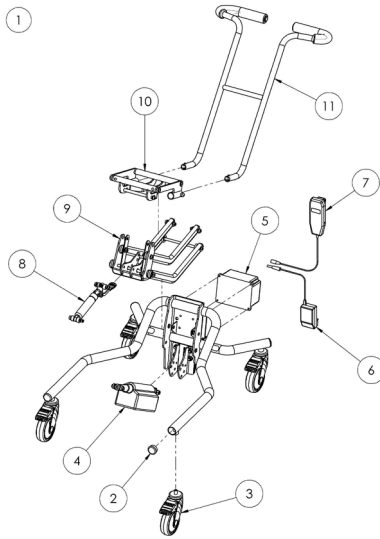
Pos.	Leckey Sales Code	Description	Min. Order Qty	Compatible with		
				Size 1	Size 2	Size 3
1	102-2753	Indoor Chassis Foot Operated - Manual	1	●	●	●
2	SH62	1 1/4" Round Black Insert [4 Pack]	1	●	●	●
3	IA13	Castor [Single]	1	●	●	●
4	117-938	Chassis Gas Spring - Lift	1	●	●	●
5	102-1761	Locking Pin Assy	1	●	●	●
6	102-2692	Long Foot Pedal	1	●	●	●
7	117-937	Interface Arm Lever - Tilt	1	●	●	●
8	117-651	Lever Arm Assembly	1	●	●	●
9	117-7331	Hi-Low Interface Assembly	1	●	●	●
10	122-710	Removable Handlebar	1	●	●	●

Mygo Seat Spare Parts - Indoor Hi-Low Chassis - Hydraulic



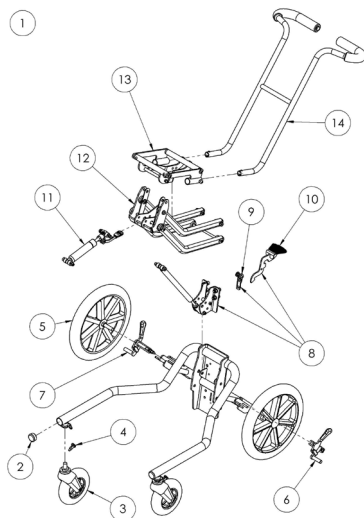
Pos.	Leckey Sales Code	Description	Min. Order Qty	Compatible with		
				Size 1	Size 2	Size 3
1	102-2766	Indoor Chassis Foot Operated - Hydraulic	1	●	●	●
2	SH62	1 1/4" Round Black Insert [4 Pack]	1	●	●	●
3	IA13	Castors [Single]	1	●	●	●
4	117-823	Chassis Hydraulic Pack - Lift	1	●	●	●
5	117-948	Inner Pedal Assy	1	●	●	●
6	117-947	Outer Sliding Pedal	1	●	●	●
7	117-937	Interface Arm Lever - Tilt	1	●	●	●
8	117-936	Lever Arm Assembly	1	●	●	●
9	117-7331	Hi-Low Interface Assembly	1	●	●	●
10	122-710	Removable Handlebar	1	●	●	●

Mygo Seat Spare Parts - Indoor Hi-Low Chassis - Powered



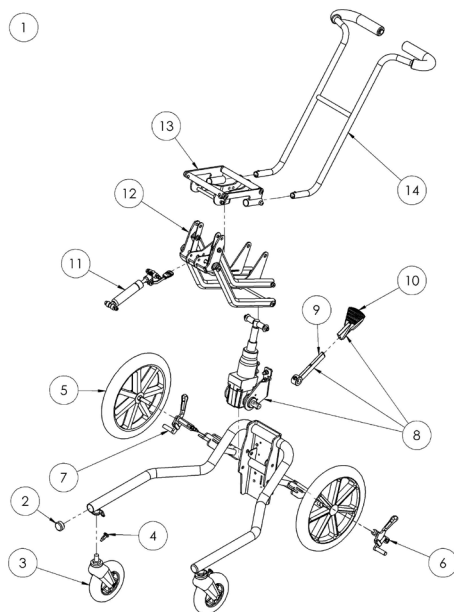
Pos.	Leckey Sales Code	Description	Min. Order Qty	Compatible with		
				Size 1	Size 2	Size 3
1	102-2754	Indoor Chassis - Powered	1	●	●	●
2	SH62	1 1/4" Round Black Insert [4 Pack]	1	●	●	●
3	IA13	Castor [Single]	1	●	●	●
4	102-1694	Actuator	1	●	●	●
5	SI64	Battery	1	●	●	●
6	SI124	Charger - UK	1	●	●	●
6	SI125	Charger - EUR	1	●	●	●
6	SI126	Charger - USA/Japan	1	●	●	●
6	SI127	Charger - AUS	1	●	●	●
7	SI67	Handset	1	●	●	●
8	117-937	Interface Arm Lever - Tilt	1	●	●	●
9	117-651	Lever Arm Assembly	1	●	●	●
10	117-7331	Hi-Low Interface Assembly	1	●	●	●
11	122-710	Removable Handlebar	1	●	●	●

Mygo Seat Spare Parts - Indoor/Outdoor Hi-Low Chassis - Manual (Gas)



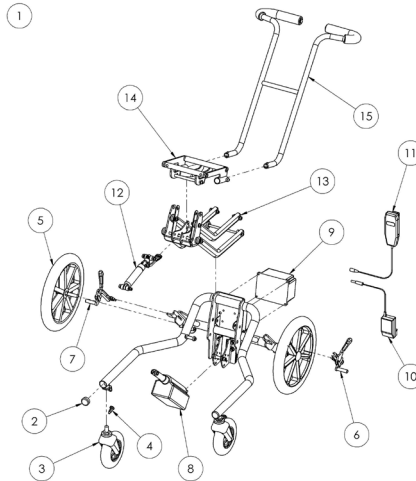
Pos.	Leckey Sales Code	Description	Min. Order Qty	Compatible with		
				Size 1	Size 2	Size 3
1	102-2767	Indoor/Outdoor Chassis Foot Operated - Gas	1	●	●	●
2	SH62	1 1/4" Round Black Insert [4 Pack]	1	●	●	●
3	133-2084	150mm Front Castor [Single]	1	●	●	●
4	IA19	Lock Pin [Single]	1	●	●	●
5	133-2087	315mm Rear Wheel [Single]	1	●	●	●
6	133-2085	LH Brake Assy	1	●	●	●
7	133-2086	RH Brake Assy	1	●	●	●
8	117-938	Chassis Gas Spring - Lift	1	●	●	●
9	102-1761	Locking Pin Assy	1	●	●	●
10	102-2692	Long Foot Pedal	1	●	●	●
11	117-937	Interface Arm Lever - Tilt	1	●	●	●
12	117-651	Lever Arm Assembly	1	●	●	●
13	117-7331	Hi-Low Interface Assembly	1	●	●	●
14	122-710	Removable Handlebar	1	●	●	●

Mygo Seat Spare Parts - Indoor/Outdoor Hi-Low Chassis - Hydraulic



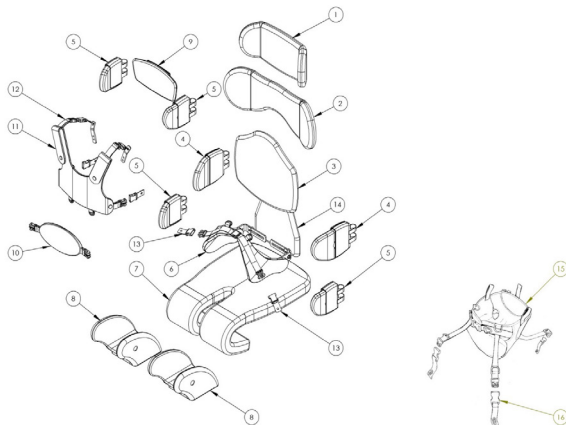
Pos.	Leckey Sales Code	Description	Min. Order Qty	Compatible with		
				Size 1	Size 2	Size 3
1	102-2768	Indoor/Outdoor Chassis Foot Operated - Hydraulic	1	●	●	●
2	SH62	1 1/4" Round Black Insert [4 Pack]	1	●	●	●
3	133-2084	150mm Front Castor [Single]	1	●	●	●
4	IA19	Lock Pin [Single]	1	●	●	●
5	133-2087	315mm Rear Wheel [Single]	1	●	●	●
6	133-2085	LH Brake Assy	1	●	●	●
7	133-2086	RH Brake Assy	1	●	●	●
8	117-823	Chassis Hydraulic Pack - Lift	1	●	●	●
9	117-948	Inner Pedal Assy	1	●	●	●
10	117-947	Outer Sliding Pedal	1	●	●	●
11	117-937	Interface Arm Lever - Tilt	1	●	●	●
12	117-936	Lever Arm Assembly	1	●	●	●
13	117-7331	Hi-Low Interface Assembly	1	●	●	●
14	122-710	Removable Handlebar	1	●	●	●

Mygo Seat Spare Parts - Indoor/Outdoor Hi-Low Chassis - Powered



Pos.	Leckey Sales Code	Description	Min. Order Qty	Compatible with		
				Size 1	Size 2	Size 3
1	102-2769	Indoor/Outdoor Hi-Low Chassis - Powered	1	●	●	●
2	SH62	1 1/4" Round Black Insert [4 Pack]	1	●	●	●
3	133-2084	150mm Front Castor [Single]	1	●	●	●
4	IA19	Lock Pin [Single]	1	●	●	●
5	133-2087	315mm Rear Wheel [Single]	1	●	●	●
6	133-2085	LH Brake Assy	1	●	●	●
7	133-2086	RH Brake Assy	1	●	●	●
8	102-1694	Actuator	1	●	●	●
9	SI64	Battery	1	●	●	●
10	SI124	Charger - UK	1	●	●	●
10	SI125	Charger - EUR	1	●	●	●
10	SI126	Charger - USA/Japan	1	●	●	●
10	SI127	Charger - AUS	1	●	●	●
11	SI67	Handset	1	●	●	●
12	117-937	Interface Arm Lever - Tilt	1	●	●	●
13	117-651	Lever Arm Assembly	1	●	●	●
14	117-633	Hi-Low Interface Assembly	1	●	●	●
15	122-710	Removable Handlebar	1	●	●	●

Mygo Seat Spare Parts - Upholstery



Pos.	Lecley Sales Code	Description	Min. Order Qty	Colour Options						Compatible with		
				Black	Black Vinyl	Grey	Orange	Blue	Pink	Size 1	Size 2	Size 3
[Replace XX with colour]				Black	Black Vinyl	Grey	Orange	Blue	Pink	Size 1	Size 2	Size 3
1	137-800-XX	Contoured Headrest Cushion	1	-05	-05VIN					●	●	●
2	137-801-XX	Shoulder Cushion - [Size 2/3 only]	1			-06	-07	-08	-09		●	●
3	137-802-XX	Backrest Cushion	1			-06	-07	-08	-09	●	●	
4	137-806-XX	Lateral Covers [Pair]	1	-05	-05VIN					●	●	●
5	137-807-XX	Head/Hip Lateral Covers [Pair]	1	-05	-05VIN					●	●	●
6	117-801	Pelvic Harness Small with Hip Brackets	1							●	●	●
6	117-802	Pelvic Harness Medium with Hip Brackets	1							●	●	●
7	117-852-XX	Seatbase Cushion - [Size 1 only]	1			-06	-07	-08	-09	●		
7	137-804-XX	Seatbase Cushion - [Size 2 only]	1			-06	-07	-08	-09		●	
7	185-814-XX	Seatbase Cushion - [Size 3 only]	1			-06	-07	-08	-09			●
8	117-844-XX	Femoral Guide Covers [Pair]	1	-05	-05VIN					●		
9	117-850-XX	Flat Headrest Cushion	1	-05	-05VIN					●	●	●
10	137-808	Chest Harness	1							●	●	●
11	120-779	Trunk Harness - Small [Size 1 only]	1							●		
11	120-757	Trunk Harness - Medium	1							●	●	●
11	117-761	Trunk Harness - Large [Size 2/3 only]	1								●	●
12	120-9029	Trunk Harness Attachment Kit	1							●	●	●
13	117-749	Pelvic Harness Attachment Kit	1							●	●	●
14	137-803-XX	Sacral Cushion	1			-06	-07	-08	-09	●	●	
14	185-803-XX	Sacral Cushion [Size 3 only]	1			-06	-07	-08	-09			●
15	133-728	Pelvic Cradle	1							●	●	●
16	133-733	Pelvic Cradle Attachment Kit	1							●	●	●



Leckey
19c Ballinderry Road
Lisburn BT28 2SA
Northern Ireland

{+44} 28 9260 0750
hello@leckey.com

LS836-01

leckey.com

