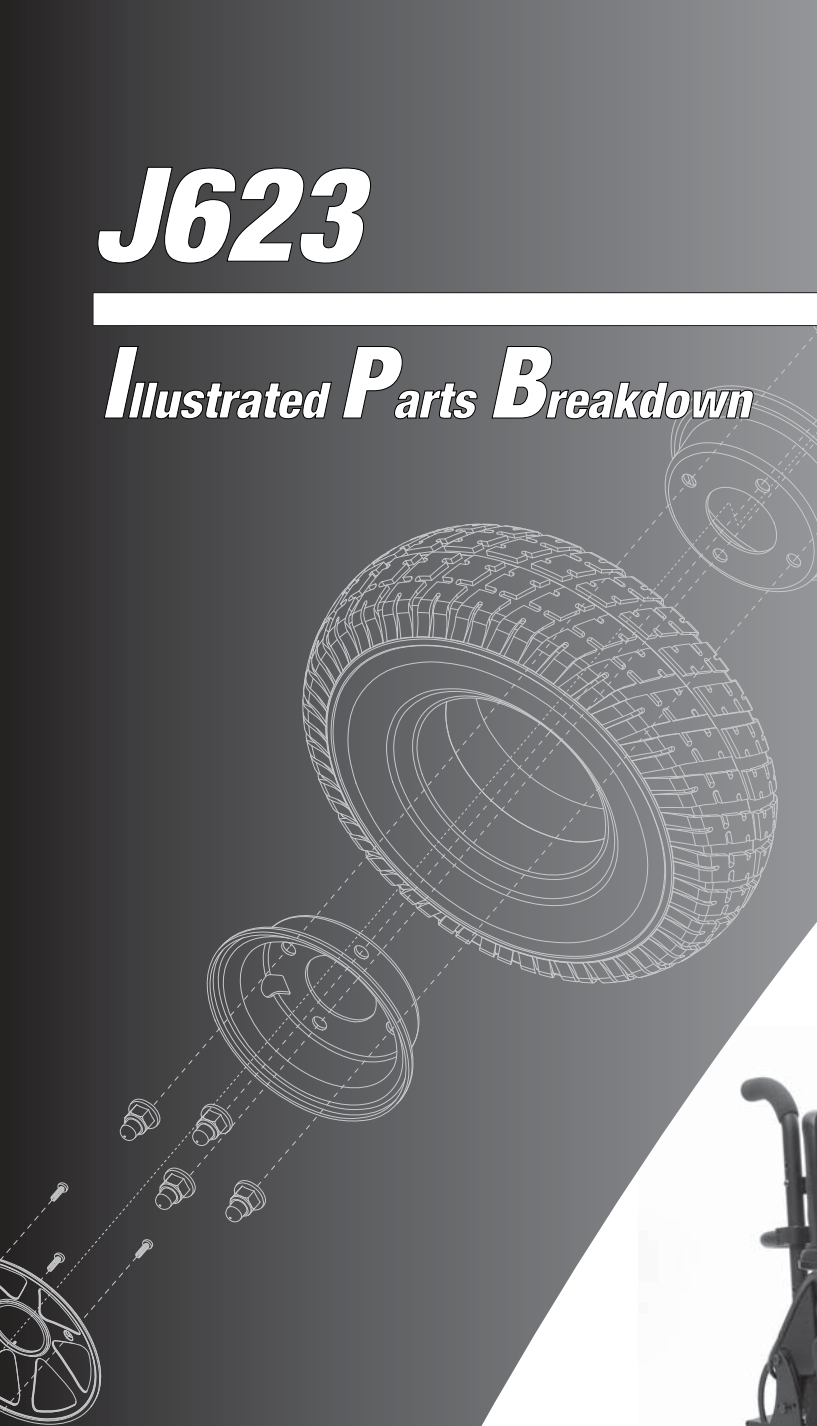


J623

AU

AGN# 088 609 661

Illustrated *P*arts *B*reakdown



Pride[®]

Your new Pride Illustrated Parts Breakdown (IPB) Manual has been compiled from the latest product information available at the time of publication. Pride[®] Mobility Products Corporation reserves the right to make changes and updates to this manual and to the product(s) it represents. Any changes, updates, or improvements to the product(s) may result in slight differences between this manual and the product you purchased.

An IPB is an illustrated parts listing of all product components which have maintenance significance. IPB's utilize "exploded" drawings to detail the individual components for each assembly and an itemized list of reference numbers, part numbers, descriptions, and quantities per assembly. Some parts may be included in an assembly but may not be available for purchase separately. Refer to the parts list to locate the part numbers for assemblies and components for ordering what you need.

To achieve proper identification and relationship of detail parts and next higher assemblies, parts listings are presented in a convenient alphanumeric reference system. Reference numbers for parent assemblies identify one part number that can be used to order all of the components listed within it. Components of an assembly will have the same alpha character as its parent assembly.

- For example, the parent assembly part number using reference number of A1 — A4 is the only number you need to place an order for parts with references of A1, A2, A3, and A4. Instead of ordering 4 separate parts, use the parent assembly part number to get the complete assembly.

Master assembly part numbers have reference numbers that include several subassemblies. By ordering parts using master assembly part numbers, you can save a lot of time and reduce the chance for error.

- For example, A1 — G10, a master assembly reference number, includes all components of assemblies A, B, C, D, E, F, and G. Use caution when ordering assemblies. Check to see if a master assembly part number exists for the components that you need. If an entire master assembly is not needed, then the individual assembly part number (i.e. for reference number G1 — G10) will be sufficient to use for ordering.

Asterisks (*) and NOTES are used throughout this service manual to point out important information regarding assembly structure and contents.

- For example, in some illustrations, only the left OR right side is shown. In other drawings, only the front OR back is depicted. The part numbers for ALL components are listed. An asterisk will also be used to indicate which components are not illustrated. Illustrated Items without callouts are shown for assembly purposes.

Updates to the contents of this IPB will be made on a regular basis. Providers may retrieve updates immediately upon their release by going to the Pride Service Website. The web address is www.pridemobility.com. We welcome any questions or comments regarding the new Pride IPB Manual that you may have.

Please note all pricing included with this manual is subject to change without prior notice from Pride.

Thank you for choosing products from Pride[®] Mobility Products Corporation.

SECTION I.
 Frame Assembly
 Main Frame 4
 Front Caster Arm and Front Suspension 6
 Articulating Beam 8

SECTION II.
 Drive Motor Assembly
 Song 10
 I-Song 12

SECTION III.
 Freewheel Lever, Motor Mount, and Suspension Assembly 14

SECTION IV.
 Controller Assembly 16

SECTION V.
 Electronics Assembly
 Non-Power Positioning..... 18
 2 Actuator 20

SECTION VI.
 Footrest Assembly
 Foot Platform 22
 Battery Access Bracket..... 24

SECTION VII.
 Shroud Assembly With Center Panel 26

SECTION VIII.
 Trapeze Bars Assembly..... 28

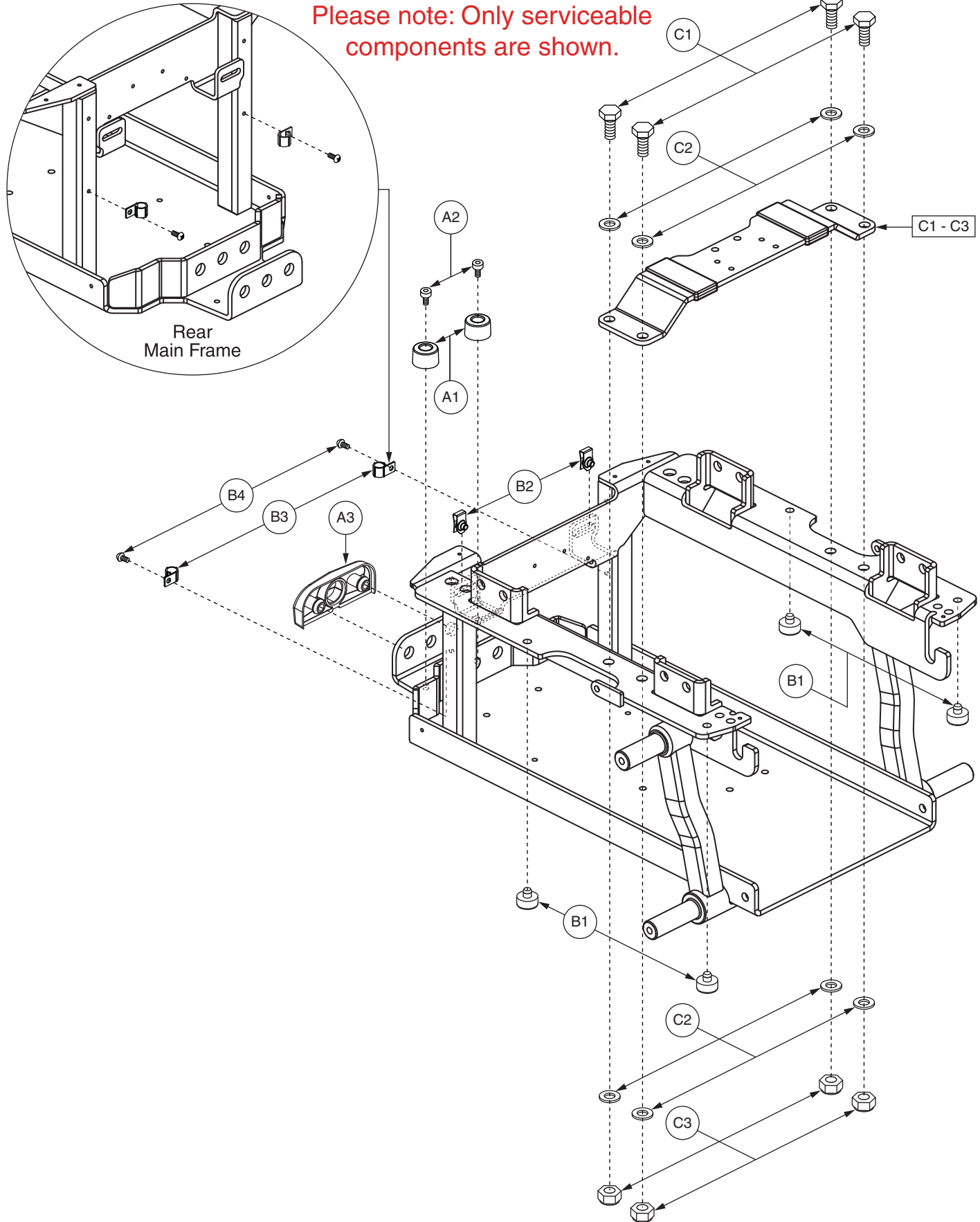
SECTION IX.
 Seat Mount Assembly 29

SECTION X.
 Drive Wheel Assembly 30

SECTION XI.
 Owner’s and Decal Packages 31

APPENDIX A.
 Electrical System Diagrams
 Non-Power Positioning..... 32
 2 Actuator 33

Please note: Only serviceable components are shown.



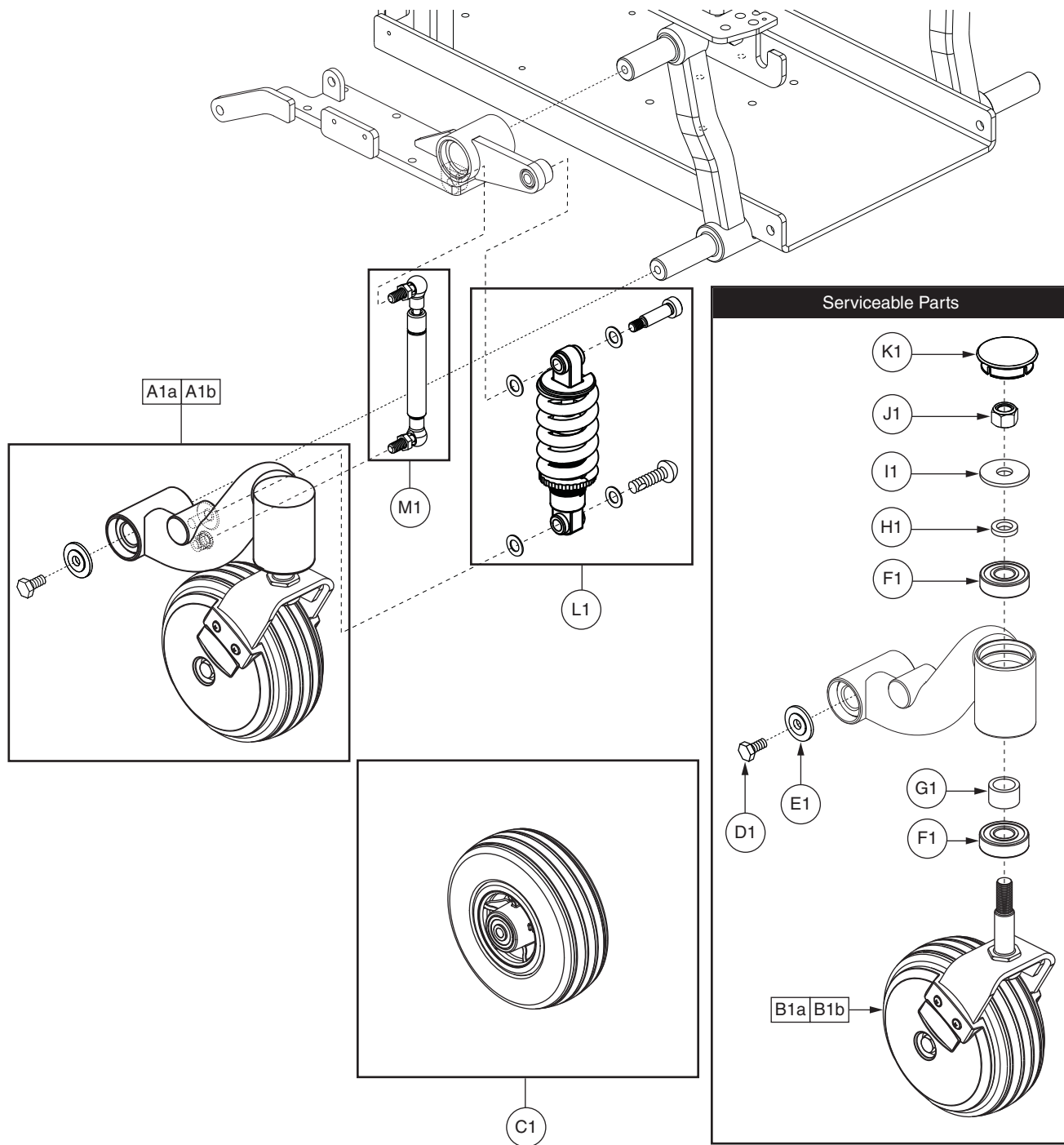
REF #	PART #	DESCRIPTION	QTY	MSRP (AU\$) ¹¹ⁱ
A1	DWR1062C040	BUMPER,BLACK,MOLDED POLYURETHANE,6.5MM ID X 25MM OD,C-1062-040	2	7.01
A2	SCRSHCS1158	SCREW,SHCS,BLACK ZINC,M6-1.0 X 10MM	2	5.62
A3	DWR1062C054	SHROUD,REAR BUMPER,BLACK,C-1062-054	1	11.61
B1 - C3	FRMASMB16061	FRAME,ASSY,MAIN,SUSPENSION BEAM,Q6 EDGE,E-1062-079	1	600.92
B1	DWR1062C055	BUMPER,BLACK,MOLDED POLYURETHANE,C-1062-055	4	5.63
B2	DWR1060C048	NUT,STEEL,U-STYLE CLIP-ON,M5-.8,C-1060-048	2	5.92
B3	CLPCBLC1028	CLAMP,CABLE,BLACK,NYLON,.38" DIAMETER,P-CLIP,C-1059-042	2	5.62
*B4	SCRPPH1036	SCREW,PPH,BLACK ZINC,M4-.7 X 8MM	4	5.62
*B5	DWR1062D078	SHROUD,BREAKER MOUNT,BLACK,MOLDED ABS,D-1062-078	1	6.89
C1 - C3	FRMASMB15970	FRAME,ASSY,FRONT STABILIZER BRIDGE,STANDARD,D-1062-047	1	80.28
C1	SCRHHCS1402	SCREW,HHCS,BLACK ZINC CHROMATE,M10-1.5 X 25MM,GRADE 12.9	4	5.63
C2	WASMETR1031	WASHER,FLAT,BLACK ZINC,10.5MM ID X 20MM OD X 2MM TH	8	5.9
C3	NUTNYLK1090	NUT,NYLOCK,BLACK ZINC,M10-1.5,GRADE 12.9	4	5.9

Notes :

Only serviceable components are shown.

*B4 Two shown.

*B5 Please refer to the electronics assemblies for part number and illustration.



Please note: Only serviceable components are shown.
 Items with lower-case extensions represent
 right/left specific components.

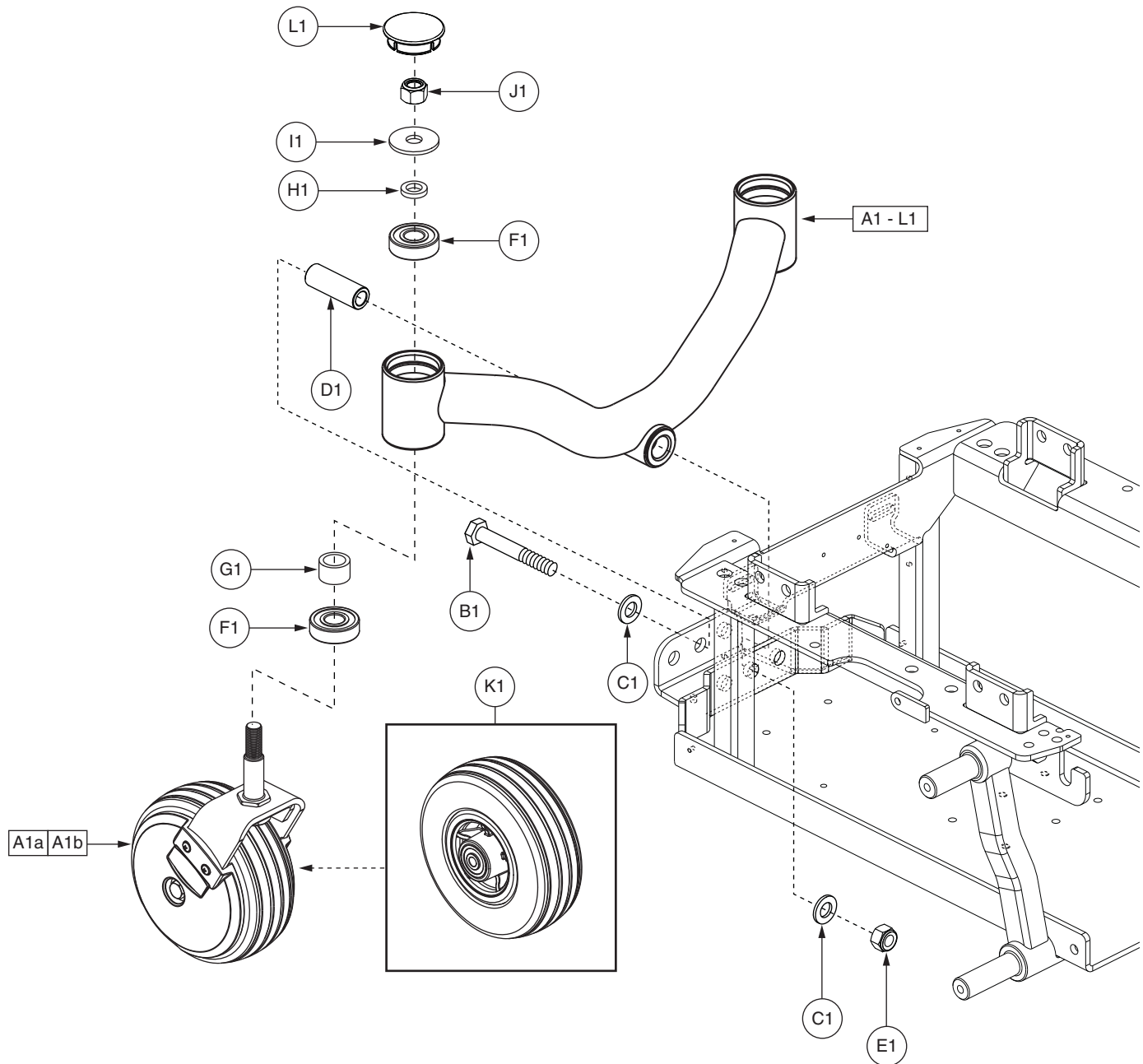
I. Frame Assembly — Front Caster Arm and Front Suspension

REF #	PART #	DESCRIPTION	QTY	MSRP (AU\$) ¹¹ⁱ
A1 - K1	FRMASMB16161	CASTER ARM,ASSY,FRONT,FOR 6" CASTERS,PAIR,Q6 EDGE	1	674.47
A1a	FRMASMB16050	RIGHT CASTER ARM,ASSY,W/WHEEL,FOR 6" CASTERS,E-1062-076	1	340.58
A1b	FRMASMB16049	LEFT CASTER ARM,ASSY,W/WHEEL,FOR 6" CASTERS,E-1062-075	1	340.58
B1a	FRMASMB16285	RIGHT CASTER,ASSY,LOW IMPACT,BLACK RIM/GRAY TIRE,6" WHEEL,W/FORK & COVERS,W/RADIUS,D-1202-048	1	189.31
B1b	FRMASMB16284	LEFT CASTER,ASSY,LOW IMPACT,BLACK RIM/GRAY TIRE,6" WHEEL,W/FORK & COVERS,W/RADIUS,D-1202-047	1	189.31
C1	WHLASMB2130	WHEEL,ASSY,LOW IMPACT,BLACK RIM/GRAY TIRE,6" X 2",W/BEARINGS & SPACER,E-1202-039	1	102
D1	SCRHHCS1412	SCREW,HHCS,BLACK ZINC,M8-1.25 X 16MM,GRADE 10.9,W/NYLON PATCH	1	5.62
E1	WASMETR1096	WASHER,CUSTOM,BLACK ZINC,8.4MM ID X 30MM OD X 2.5MM TH,B-1005-026	1	5.62
F1	DWR1005B133	BEARING,BALL,16.0MM ID X 40.0MM OD X 12.0MM TH,ABEC-1,B1005-133,(6203-2RS DOUBLE SEAL)	2	35.7
G1	DWR1005B134	SPACER,BRIGHT ZINC,STEEL,18MM ID X 25MM OD X 15.5MM TH,B1005-134	1	5.89
H1	DWR1133A003	SHIM,BLACK ZINC,STEEL,13MM ID X 21MM OD X 4.763MM TH,A-1133-003	1	5.74
I1	DWR1133A005	WASHER,BLACK,STEEL,13MM ID X 40MM OD X 3MM TH,A-1133-005	1	5.74
J1	NUTNYLK1010	NUT,NYLOCK,BLACK ZINC,1/2-20	1	5.62
K1	DWR1065C008	SHROUD,COVER,CAP,CASTER,BLACK,C-1065-008	1	5.71
L1	FRMASMB17516	SUSPENSION,ASSY,STRUT,FRONT,Q6EDGE,D-1062-099	1	180.54
M1	DWR1062C058	SUSPENSION,DAMPER SHOCK,W/10MM BALL ENDS,60MM STROKE,COMPRESSION,C-1062-058	1	84.3

Notes :

Only serviceable components are shown. Items with lower-case extensions represent right/left specific components.

Please note: Only serviceable components are shown.
Items with lower-case extensions represent right/left specific components.



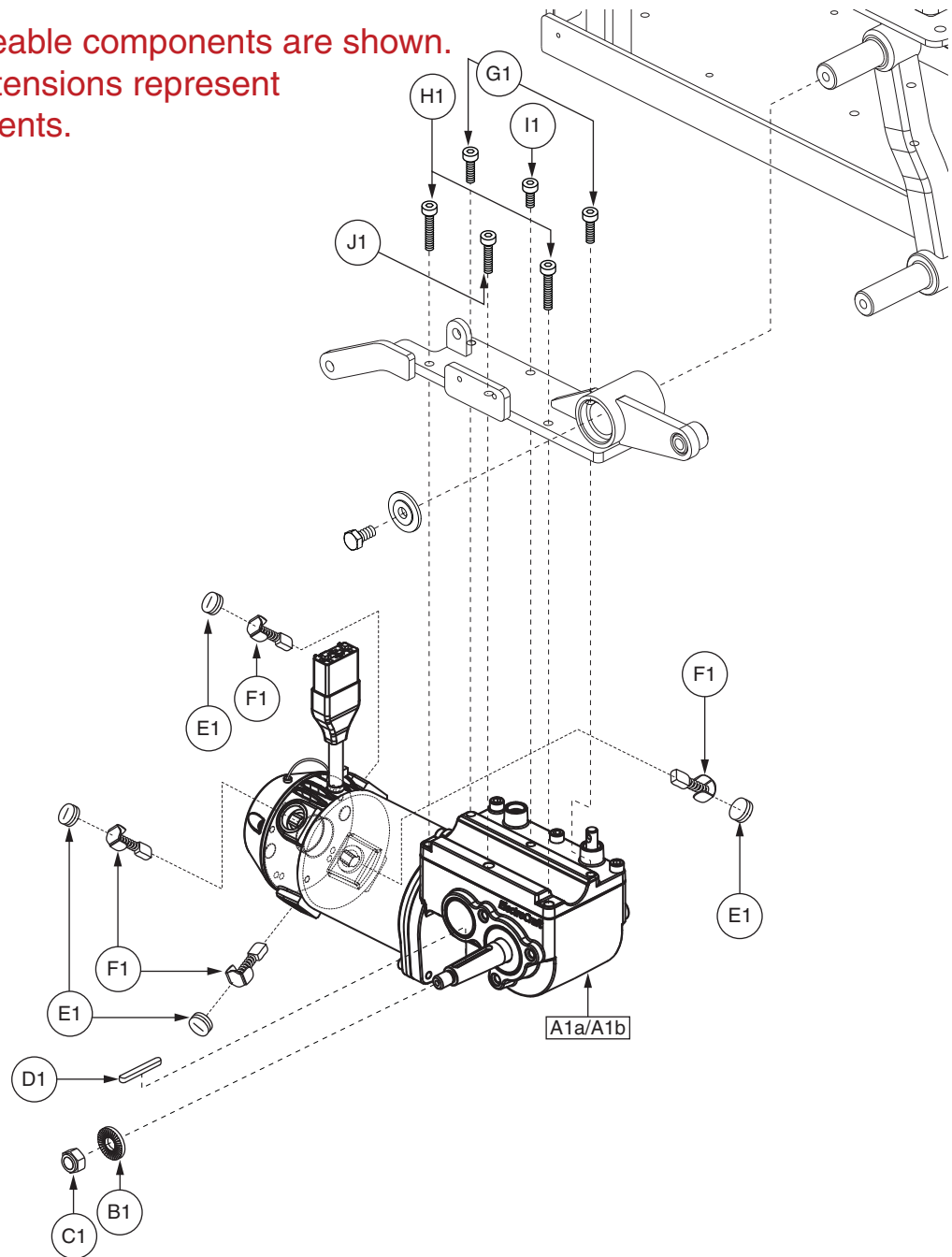
I. Frame Assembly — Articulating Beam

REF #	PART #	DESCRIPTION	QTY	MSRP (AU\$) ¹¹ⁱ
A1 - L1	FRMASMB16051	ARTICULATING BEAM,ASSY,STANDARD,W/6" CASTER WHEELS,Q6 EDGE,D-1062-067	1	521.56
A1a	FRMASMB16285	RIGHT CASTER,ASSY,LOW IMPACT,BLACK RIM/GRAY TIRE,6" WHEEL,W/FORK & COVERS,W/RADIUS,D-1202-048	1	189.31
A1b	FRMASMB16284	LEFT CASTER,ASSY,LOW IMPACT,BLACK RIM/GRAY TIRE,6" WHEEL,W/FORK & COVERS,W/RADIUS,D-1202-047	1	189.31
B1	SCRHHCS1619	SCREW,HHCS,BLACK ZINC,M12-1.75 X 85MM,GRADE 12.9	1	5.63
C1	WASMETR1050	WASHER,FLAT,BLACK ZINC,13MM ID X 24MM OD X 2.5MM TH	2	5.62
D1	DWR1062B004	SPACER,SILVER,STEEL,12MM ID X 19MM OD X 54.75MM TH,B-1062-004	1	12.01
E1	NUTNYLK1066	NUT,NYLOCK,BLACK ZINC,M12-1.25,GRADE 8,(MTS: 53212007)	1	5.62
F1	DWR1005B133	BEARING,BALL,16.0MM ID X 40.0MM OD X 12.0MM TH,ABEC-1,B1005-133,(6203-2RS DOUBLE SEAL)	2	35.7
G1	DWR1005B134	SPACER,BRIGHT ZINC,STEEL,18MM ID X 25MM OD X 15.5MM TH,B1005-134	1	5.61
H1	DWR1133A003	SHIM,BLACK ZINC,STEEL,13MM ID X 21MM OD X 4.763MM TH,A-1133-003	1	5.74
I1	DWR1133A005	WASHER,BLACK,STEEL,13MM ID X 40MM OD X 3MM TH,A-1133-005	1	5.74
J1	NUTNYLK1010	NUT,NYLOCK,BLACK ZINC,1/2-20	1	5.62
K1	WHLASMB2130	WHEEL,ASSY,LOW IMPACT,BLACK RIM/GRAY TIRE,6" X 2",W/BEARINGS & SPACER,E-1202-039	1	102
L1	DWR1065C008	SHROUD,COVER,CAP,CASTER,BLACK,C-1065-008	1	5.71

Notes :

Only serviceable components are shown. Items with lower-case extensions represent right/left specific components.

Please note: Only serviceable components are shown.
Items with lower-case extensions represent
right/left specific components.



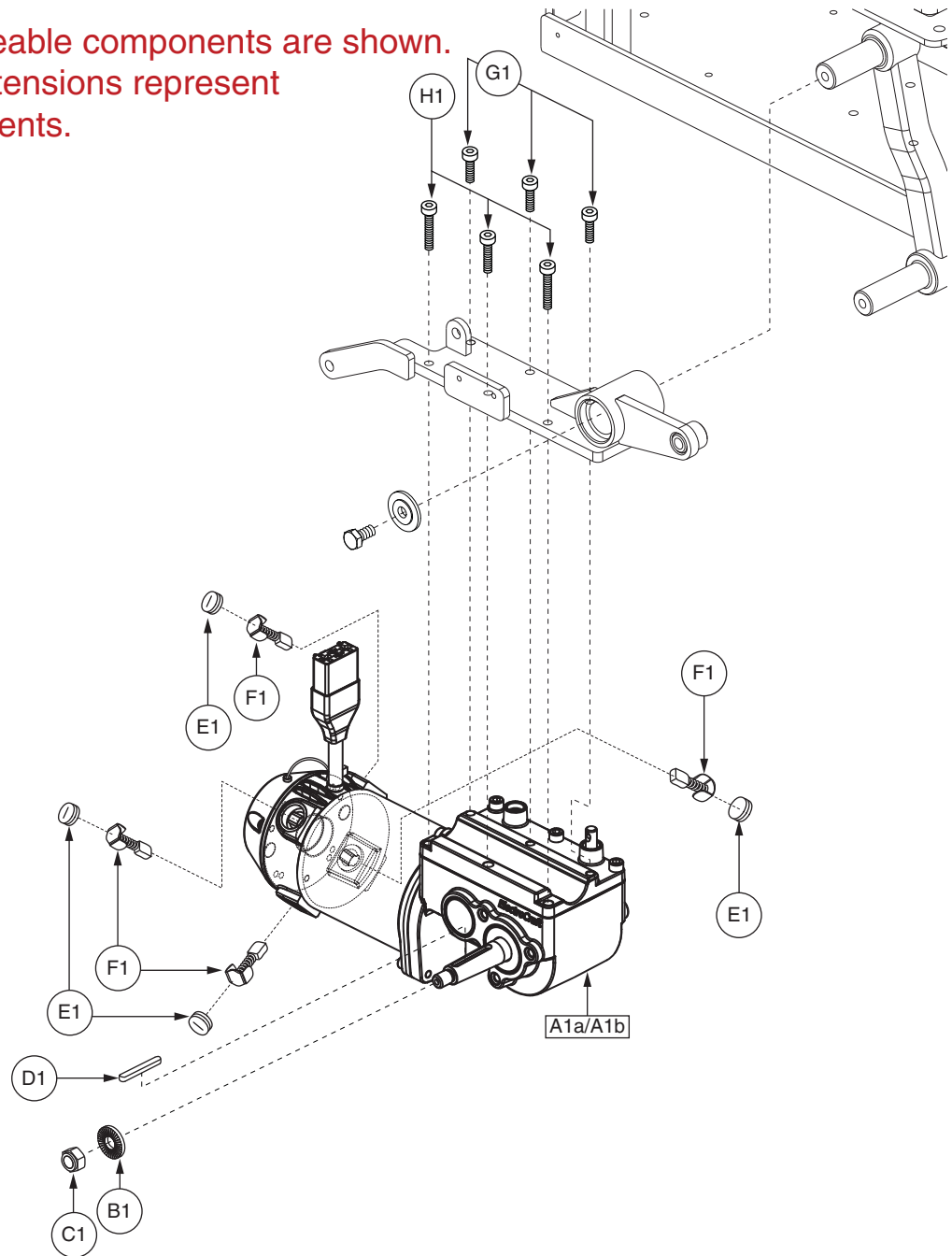
II. Drive Motor Assembly — Song

REF #	PART #	DESCRIPTION	QTY	MSRP (AU\$) ¹¹ⁱ
A1a	DRVASMB2437	RIGHT MOTOR,ASSY,DRIVE,E868 G4,W/GEARBOX,125 RPM,26.8:1,SHARK CONNECTOR,H-1210-091,(ELECTRORAFT: 868-004-004-05)	1	N/A
A1b	DRVASMB2436	LEFT MOTOR,ASSY,DRIVE,E868 G4,W/GEARBOX,125 RPM,26.8:1,SHARK CONNECTOR,H-1210-087,(ELECTRORAFT: 868-003-003-05)	1	N/A
B1	WASMETR1147	WASHER,FLAT,BLACK ZINC,10.3MM ID X 24MM OD X 2.5MM TH,SERRATED	1	5.63
C1	NUTNYLK1041	NUT,NYLOCK,ZINC,M10-1.25,GRADE 8	1	5.74
D1	KEYSTL1026	AXLE KEY,5MM W X 5MM H X 37.5MM L,(ELECTRORAFT: 1150154019)	1	24.28
E1	PLSINDV1165	BRUSH CAP.MOTOR,702/670/679/925,(ELECTRORAFT: 0003-0280)	4	30.45
F1	DRVBRSH1039	MOTOR,BRUSH,JAZZY MOTOR,925,C-1210-015,(ELECTRORAFT: 0002-6986)	4	18.29
G1	SCRSHCS1316	SCREW,SHCS,ZINC,M6-1.0 X 20MM,GRADE 12.9	2	5.63
H1	SCRSHCS1154	SCREW, SHCS,M6-1.0 X 35MM,GRADE 12.9	2	5.62
I1	SCRSHCS1322	SCREW,SHCS,ZINC,M6-1.0 X 16MM,GRADE 12.9	1	5.63
J1	SCRSHCS1323	SCREW,SHCS,ZINC,M6-1.0 X 30MM,GRADE 12.9	1	5.63

Notes :

Only serviceable components are shown. Items with lower-case extensions represent right/left specific components.

Please note: Only serviceable components are shown.
Items with lower-case extensions represent
right/left specific components.



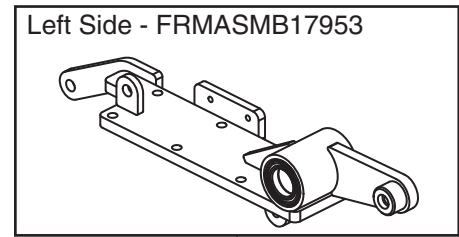
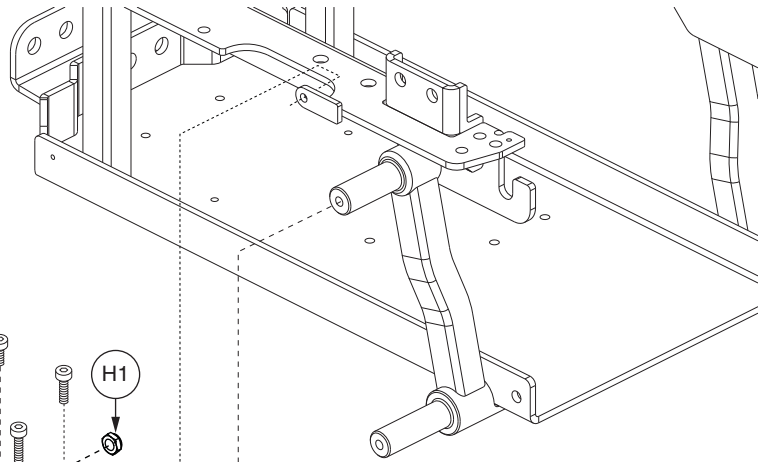
REF #	PART #	DESCRIPTION	QTY	MSRP (AU\$) ¹¹ⁱ
A1a	MOT132969	RIGHT MOTOR,ASSY,I-SONG,5 MPH,125 RPM,INDIVIDUAL BRAKE LEVERS,Q6EDGE,DYNAMIC CONNECTOR	1	N/A
A1b	MOT132968	LEFT MOTOR,ASSY,I-SONG,5 MPH,125 RPM,INDIVIDUAL BRAKE LEVERS,Q6EDGE,DYNAMIC CONNECTOR	1	N/A
B1	WASMETR1147	WASHER,FLAT,BLACK ZINC,10.3MM ID X 24MM OD X 2.5MM TH,SERRATED	1	5.63
C1	NUTNYLK1041	NUT,NYLOCK,ZINC,M10-1.25,GRADE 8	1	5.74
D1	KEYSTL1026	AXLE KEY,5MM W X 5MM H X 37.5MM L,(ELECTROCRAFT: 1150154019)	1	24.28
E1	PLSINDV1165	BRUSH CAP,MOTOR,702/670/679/925,(ELECTROCRAFT: 0003-0280)	4	30.45
F1	DRVBRSH1039	MOTOR,BRUSH,JAZZY MOTOR,925,C-1210-015,(ELECTROCRAFT: 0002-6986)	4	18.29
G1	SCRSHCS1192	SCREW,SHCS,BLACK ZINC,M6-1.0 X 20MM,GRADE 12.9	3	5.74
H1	SCRSHCS1084	SCREW,SHCS,BLACK ZINC,M6-1.0 X 35MM,GRADE 12.9	3	5.63

Notes :

Only serviceable components are shown. Items with lower-case extensions represent right/left specific components.

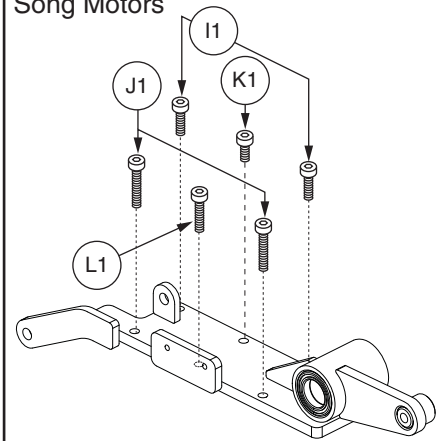
III. Freewheel Lever, Motor Mount, and Suspension Assembly

Please note: Only serviceable components are shown.
Items with lower-case extensions represent right/left specific components.

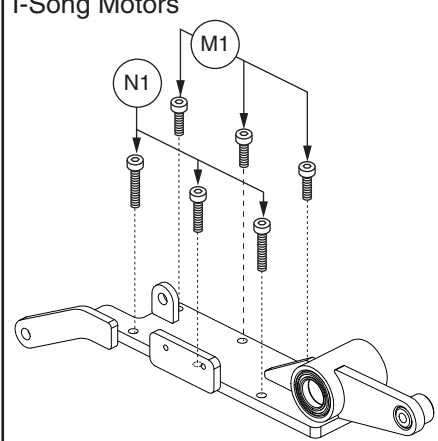


B1b

Motor Mount Hardware Specific For Song Motors



Motor Mount Hardware Specific For I-Song Motors

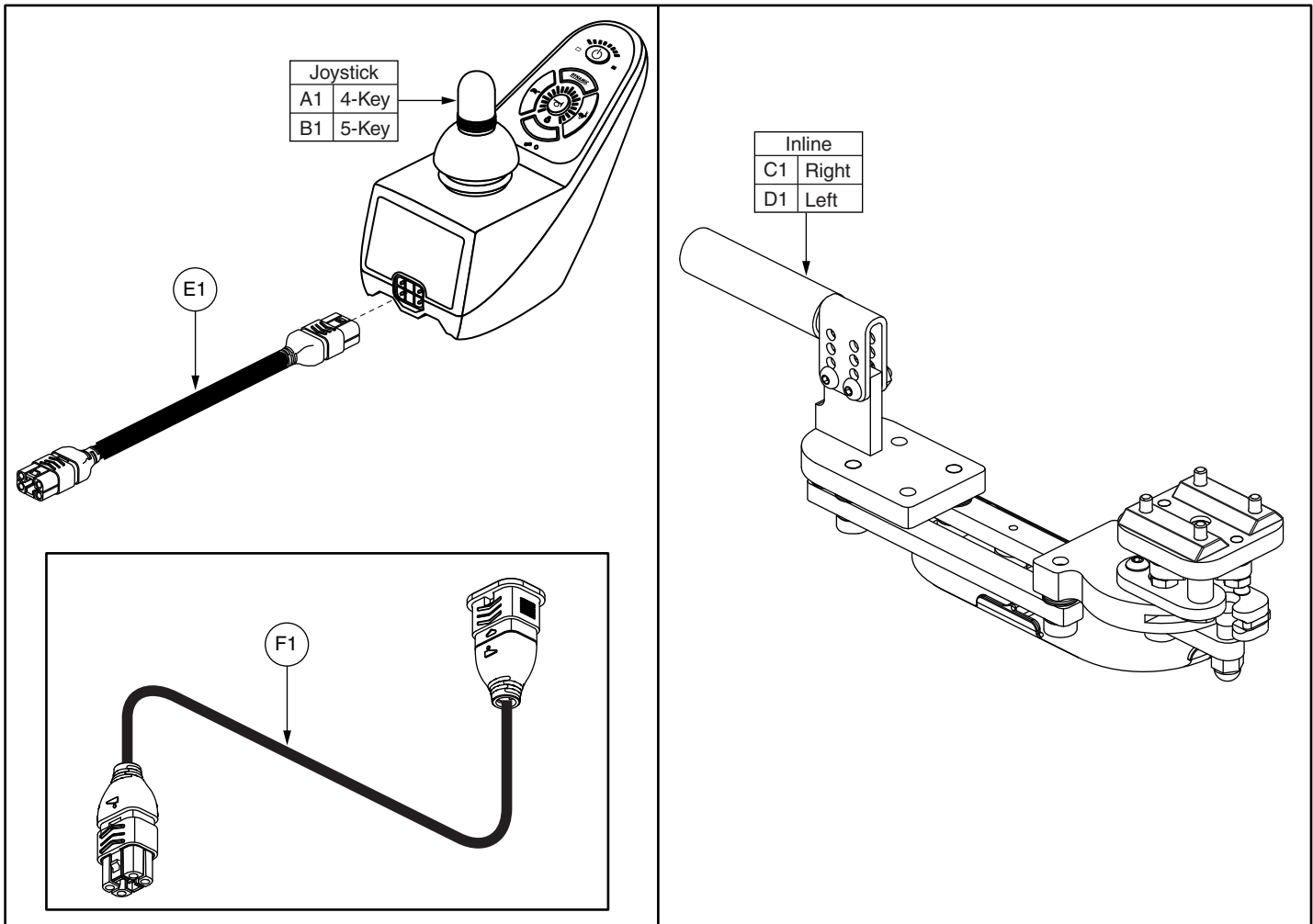


III. Freewheel Lever, Motor Mount, and Suspension Assembly

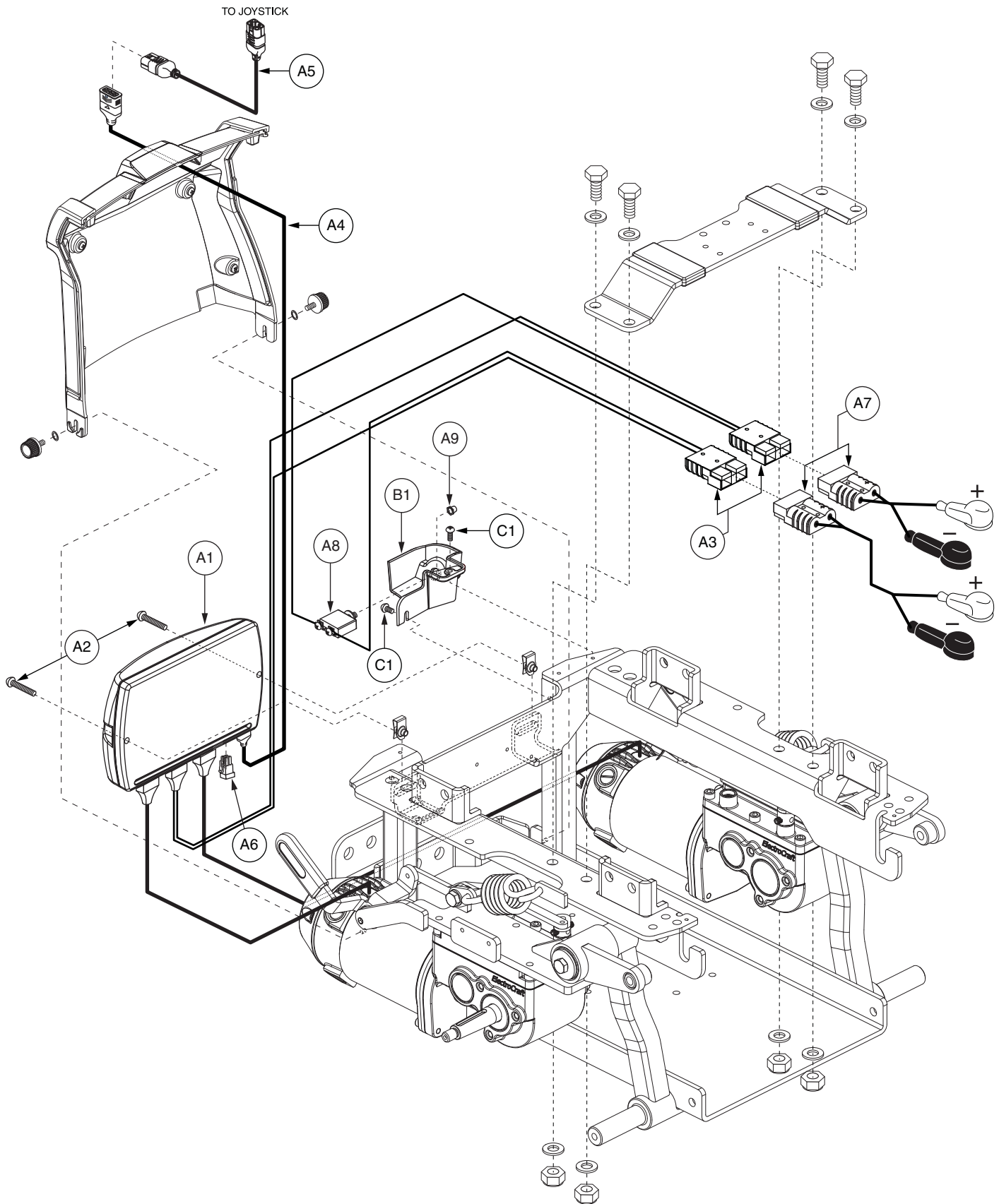
REF #	PART #	DESCRIPTION	QTY	MSRP (AU\$) ¹¹ⁱ
A1a	FRMASMB16057	RIGHT FREEWHEEL,ASSY,RELEASE,C-1062-053	1	63.2
A1b	FRMASMB16056	LEFT FREEWHEEL,ASSY,RELEASE,LEFT,C-1062-052	1	63.2
B1a	FRMASMB17954	RIGHT MOTOR MOUNT,ASSY,W/MOUNTING HARDWARE,D-1062-113	1	133.06
B1b	FRMASMB17953	LEFT MOTOR MOUNT,ASSY,W/MOUNTING HARDWARE,D-1062-112	1	133.06
C1	FRMASMB16030	SUSPENSION,ASSY,PIVOTING SPRING MOUNT,QUANTUM623,C-1062-044	1	44.06
D1	SCRHHCS1412	SCREW,HHCS,BLACK ZINC,M8-1.25 X 16MM,GRADE 10.9,W/NYLON PATCH	1	5.62
E1	WASMETR1096	WASHER,CUSTOM,BLACK ZINC,8.4MM ID X 30MM OD X 2.5MM TH,B-1005-026	1	5.62
F1	SCRHHCS1282	SCREW,HHCS,BLACK ZINC CHROMATE,M8-1.25 X 20MM,GRADE 12.9	1	5.62
G1	WASMETR1029	WASHER,FLAT,BLACK ZINC,8.4MM ID X 16MM OD X 1.6MM TH,METRIC,GB96-8	1	6.38
H1	NUTNJAM1020	NUT,NYLOCK JAM,BLACK ZINC,M8-1.25	1	5.71
I1	SCRSHCS1316	SCREW,SHCS,ZINC,M6-1.0 X 20MM,GRADE 12.9	2	5.63
J1	SCRSHCS1154	SCREW,SHCS,M6-1.0 X 35MM,GRADE 12.9	2	5.62
K1	SCRSHCS1322	SCREW,SHCS,ZINC,M6-1.0 X 16MM,GRADE 12.9	1	5.63
L1	SCRSHCS1323	SCREW,SHCS,ZINC,M6-1.0 X 30MM,GRADE 12.9	1	5.63
M1	SCRSHCS1192	SCREW,SHCS,BLACK ZINC,M6-1.0 X 20MM,GRADE 12.9	3	5.74
N1	SCRSHCS1084	SCREW,SHCS,BLACK ZINC,M6-1.0 X 35MM,GRADE 12.9	3	5.63

Notes :

Only serviceable components are shown. Items with lower-case extensions represent right/left specific components.



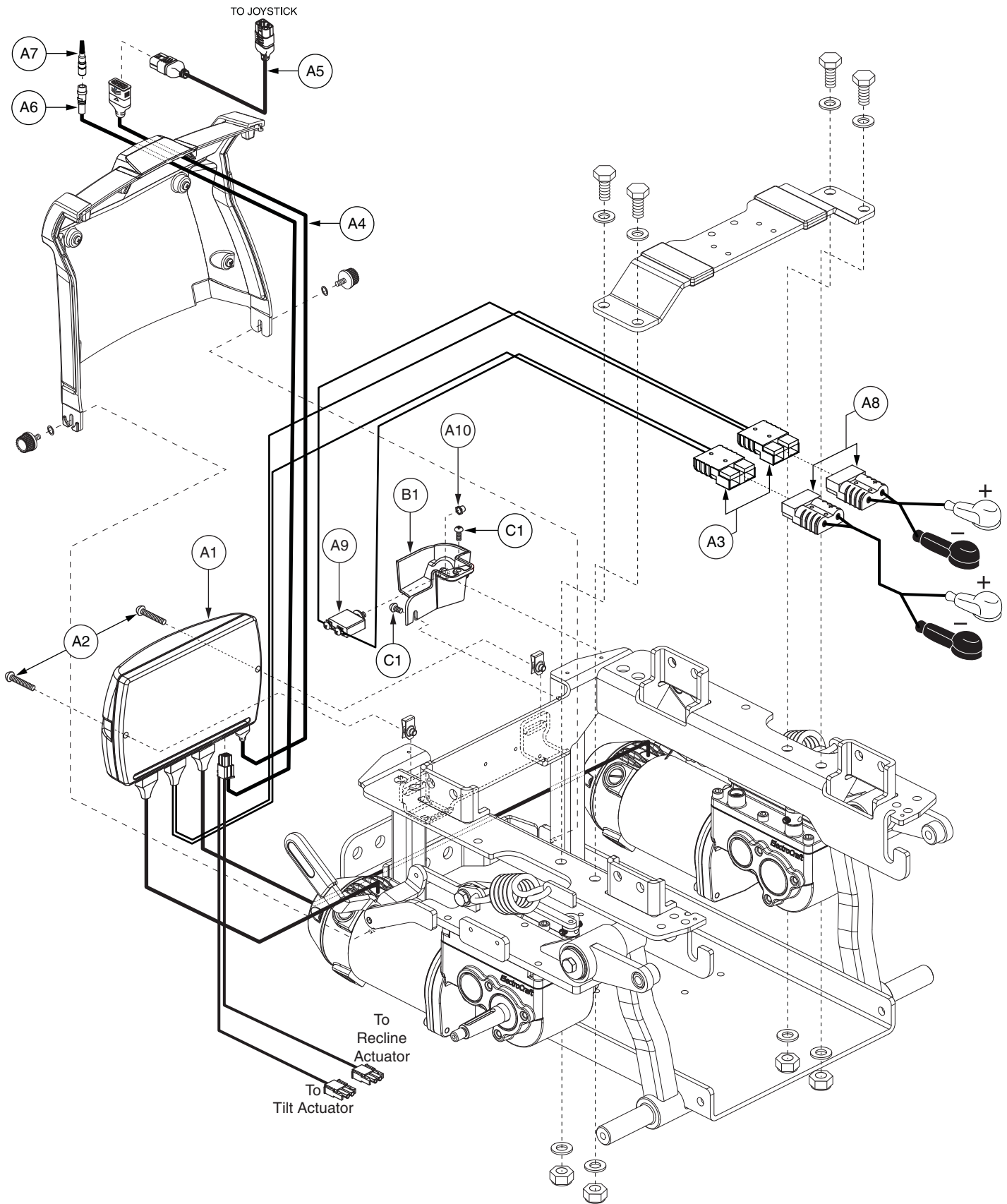
REF #	PART #	DESCRIPTION	QTY	MSRP (AU\$) ¹¹ⁱ
A1	CTLDC1529	CONTROLLER,JOYSTICK MODULE,DYNAMIC SHARK,4 KEY,STANDARD,H-1111-200,(80896-01)	1	1285.2
B1	CTLDC1531	CONTROLLER,JOYSTICK MODULE,DYNAMIC SHARK,5 KEY,2 ACTUATORS,H-1111-201,(80897-11)	1	1285.2
C1	FRMASMB12893	SWING AWAY JOYSTICK MOUNT,ASSY,4" BRACKET,DOUBLE LINK,INLINE,RIGHT,SHARK	1	692.62
D1	FRMASMB12892	SWING AWAY JOYSTICK MOUNT,ASSY,4" BRACKET,DOUBLE LINK,INLINE,LEFT,SHARK	1	692.62
E1	DWR1111H204	ELECTRONIC,HARNESS,DYNAMIC SHARK BUS CABLE,1.5M L,H-1111-204,(GSM80233)	1	124.95
F1	DWR1056H007	ELECTRONIC,HARNESS,DYNAMIC FLIGHT BUS CABLE,300MM L,H-1056-007,(DYNAMIC: GSM 80203)	1	101.24



REF #	PART #	DESCRIPTION	QTY	MSRP (AU\$) ¹¹ⁱ
A1 - A10	ELE122271	ELECTRONIC,ASSY,SHARK,G4,5 MPH,125 RPM MOTORS,Q6 EDGE	1	N/A
A1	CTL122268	CONTROLLER,SHARK,ASSY,60 AMP,W/G4 PROGRAM,JAZZY623	1	N/A
A2	SCRPPH1390	SCREW,PPH,BLACK ZINC,M5-.8 X 35MM	2	5.63
A3	DWR1062H005	ELECTRONIC,HARNESS,POWER CABLE,Q6EDGE,DYNAMIC,H-1062-005	1	237.24
A4	DWR1056H007	ELECTRONIC,HARNESS,DYNAMIC FLIGHT BUS CABLE,300MM L,H-1056-007,(DYNAMIC: GSM 80203)	1	101.24
A5	DWR1111H204	ELECTRONIC,HARNESS,DYNAMIC SHARK BUS CABLE,1.5M L,H-1111-204,(GSM80233)	1	124.95
A6	DWR1116H017	ELECTRONIC,HARNESS,4 PIN,RUN PLUG,DYNAMIC FLIGHT,H-1116-017	1	11.62
A7	DWR1502H005	ELECTRONIC,ASSY,BATTERY CABLE,GRAY,W/125A/32V FUSEABLE LINK,QUICK DISCONNECT,H-1502-005	2	187.17
A8	ELEASMB1000	ELECTRONIC,ASSY,CIRCUIT BREAKER,50 AMP,COMPLETE,RIGHT ANGLE TERMINALS,PUSH TO RESET,H-1000-204	1	92.21
A9	INDPART2148	COVER,12 X 1.25T,BREAKER BUTTON, W/NUT	1	11.48
*A10	PLSTIE1004	TIE WRAP,BLACK,8"	5	5.62
B1	DWR1062D078	SHROUD,BREAKER MOUNT,BLACK,MOLDED ABS,D-1062-078	1	6.89
C1	SCRPPH1036	SCREW,PPH,BLACK ZINC,M4-.7 X 8MM	2	5.62

Notes :

*A10 Not shown.

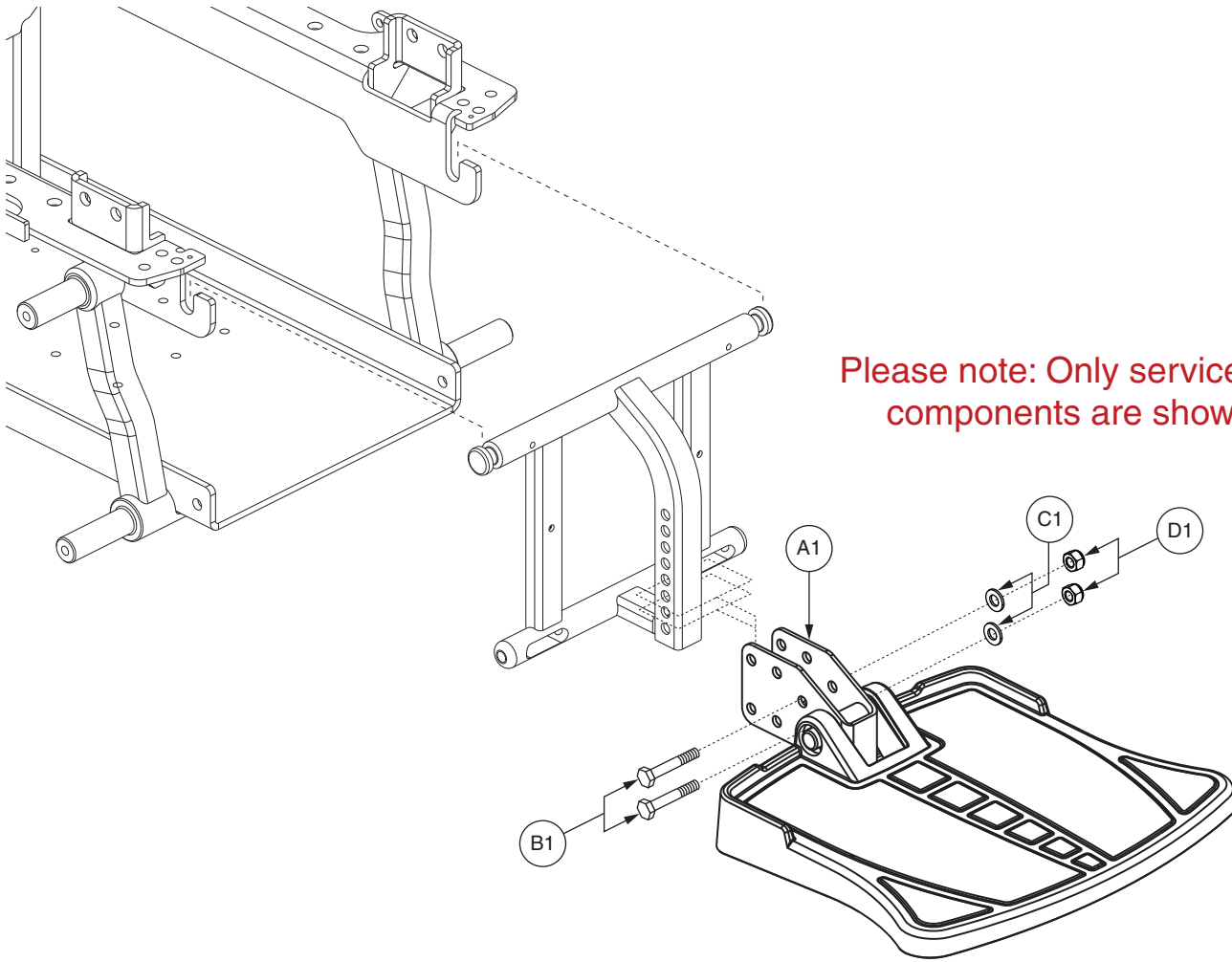


V. Electronics Assembly — 2 Actuator

REF #	PART #	DESCRIPTION	QTY	MSRP (AU\$) ¹¹ⁱ
A1 - A11	ELE122273	ELECTRONIC,ASSY,SHARK,G4,5 MPH,125 RPM MOTORS,Q6 EDGE,2 ACTUATOR	1	N/A
A1	CTL122270	CONTROLLER,SHARK,ASSY,60 AMP,2 ACTUATOR,W/G4 PROGRAM,JAZZY623	1	N/A
A2	SCRPPH1390	SCREW,PPH,BLACK ZINC,M5-.8 X 35MM	2	5.63
A3	DWR1062H005	ELECTRONIC,HARNESS,POWER CABLE,Q6EDGE,DYNAMIC,H-1062-005	1	237.24
A4	DWR1056H007	ELECTRONIC,HARNESS,DYNAMIC FLIGHT BUS CABLE,300MM L,H-1056-007,(DYNAMIC: GSM 80203)	1	101.24
A5	DWR1111H204	ELECTRONIC,HARNESS,DYNAMIC SHARK BUS CABLE,1.5M L,H-1111-204,(GSM80233)	1	124.95
A6	DWR1361H087	ELECTRONIC,HARNESS,2 ACTUATOR/INHIBIT,DYNAMIC SHARK,JAZZY600,H-1361-087	1	N/A
A7	DWR1361H038	ELECTRONIC,HARNESS,RUN PLUG,SURE SEAL,SYNERGY TILT,H-1361-038	1	44.02
A8	DWR1502H005	ELECTRONIC,ASSY,BATTERY CABLE,GRAY,W/125A/32V FUSEABLE LINK,QUICK DISCONNECT,H-1502-005	2	187.17
A9	ELEASMB1000	ELECTRONIC,ASSY,CIRCUIT BREAKER,50 AMP,COMPLETE,RIGHT ANGLE TERMINALS,PUSH TO RESET,H-1000-204	1	92.21
A10	INDPART2148	COVER,12 X 1.25T,BREAKER BUTTON, W/NUT	1	11.48
*A11	PLSTIE1004	TIE WRAP,BLACK,8"	5	5.62
B1	DWR1062D078	SHROUD,BREAKER MOUNT,BLACK,MOLDED ABS,D-1062-078	1	6.89
C1	SCRPPH1036	SCREW,PPH,BLACK ZINC,M4-.7 X 8MM	2	5.62

Notes :

*A11 Not shown.



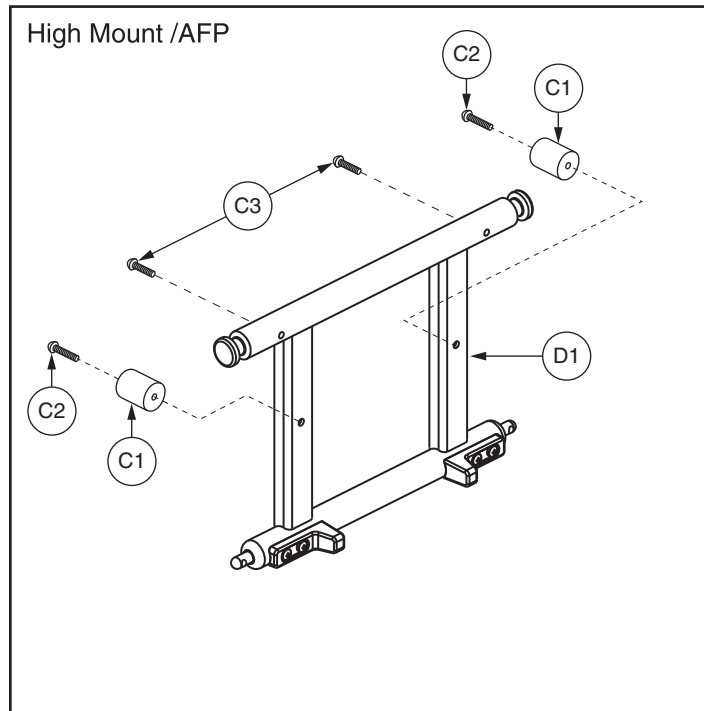
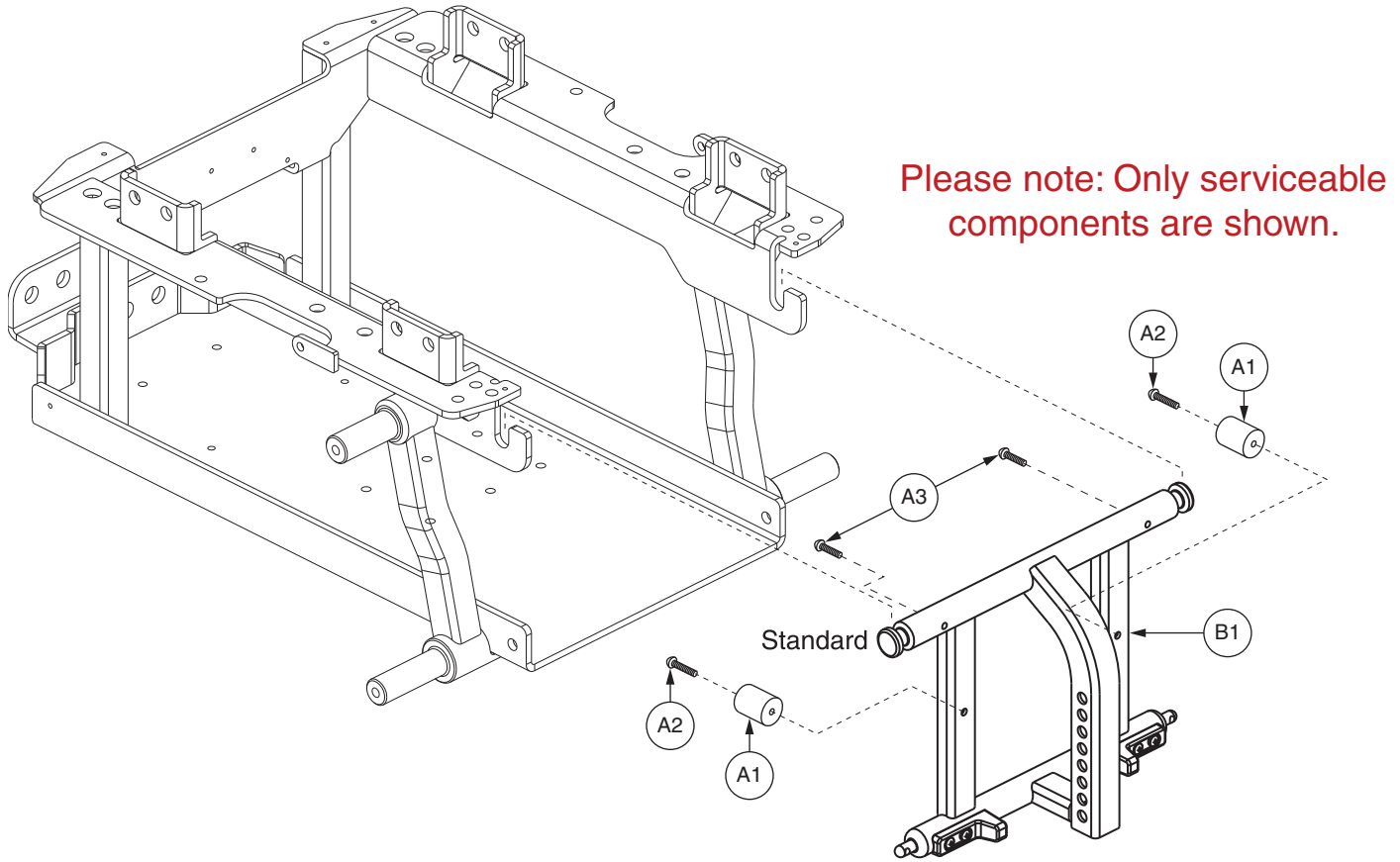
Please note: Only serviceable components are shown.

VI. Footrest Assembly — Foot Platform

REF #	PART #	DESCRIPTION	QTY	MSRP (AU\$) ¹¹ⁱ
A1	FRMASMB16077	FOOT PLATFORM,ASSY,W/MOUNTING BRACKET,Q6 EDGE,D-1201-067	1	211.84
B1	SCRHHCS1220	SCREW,HHCS,BLACK ZINC,M8-1.25 X 45MM,GRADE 10.9	2	8.36
C1	WASMETR1029	WASHER,FLAT,BLACK ZINC,8.4MM ID X 16MM OD X 1.6MM TH,METRIC,GB96-8	2	6.38
D1	NUTNYLK1011	NUT,NYLOCK,BLACK ZINC,M8-1.25	2	5.71

Notes :

Only serviceable components are shown.



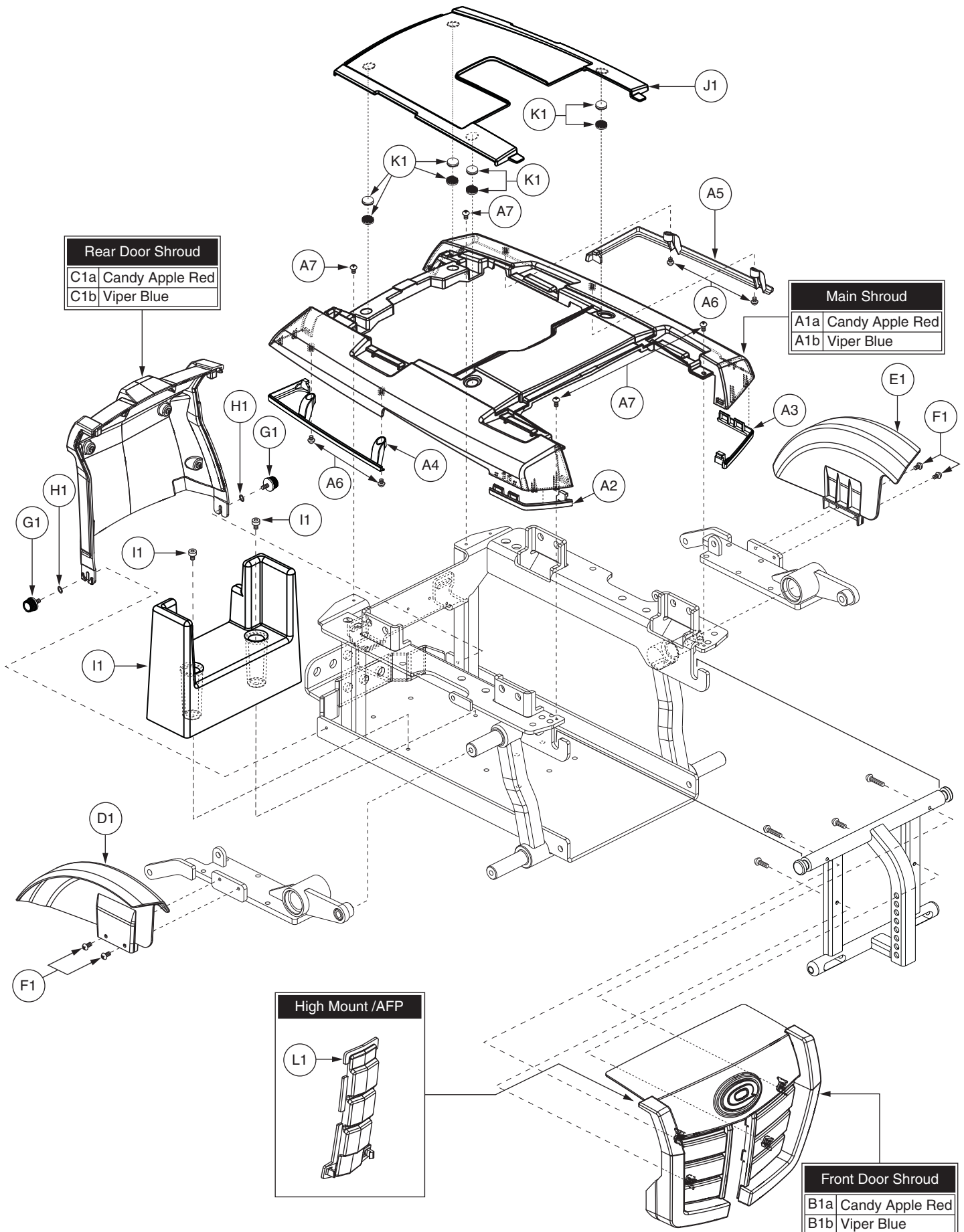
VI. Footrest Assembly — Battery Access Bracket

REF #	PART #	DESCRIPTION	QTY	MSRP (AU\$) ¹¹ⁱ
A1 - B1	FRMASMB16033	FRAME,ASSY,BATTERY ACCESS BRACKET,STANDARD,Q6 EDGE,C-1062-073	1	164.78
A1	DWR1005B080	BUMPER,BLACK,RUBBER,0.80" OD,B-1005-080	2	5.71
A2	SCRPPH1371	SCREW,PPH,ZINC,M4-.7 X 30MM	2	5.63
A3	SCRPPH1103	SCREW,PPH,BLACK ZINC,M4-.7 X 25MM	2	5.74
B1	FRMASMB16869	FRAME,ASSY,BATTERY ACCESS BRACKET,STANDARD,D-1062-053	1	155.86
C1 - D1	FRMASMB16314	FRAME,ASSY,BATTERY ACCESS BRACKET,HIGH MOUNT/AFP,Q6 EDGE,C-1062-072	1	149.06
C1	DWR1005B080	BUMPER,BLACK,RUBBER,0.80" OD,B-1005-080	2	5.71
C2	SCRPPH1371	SCREW,PPH,ZINC,M4-.7 X 30MM	2	5.63
C3	SCRPPH1103	SCREW,PPH,BLACK ZINC,M4-.7 X 25MM	2	5.74
D1	FRMASMB16034	FRAME,ASSY,BATTERY ACCESS BRACKET,HIGH MOUNT/AFP,D-1062-054	1	149.06

Notes :

Only serviceable components are shown.

VII. Shroud Assembly With Center Panel



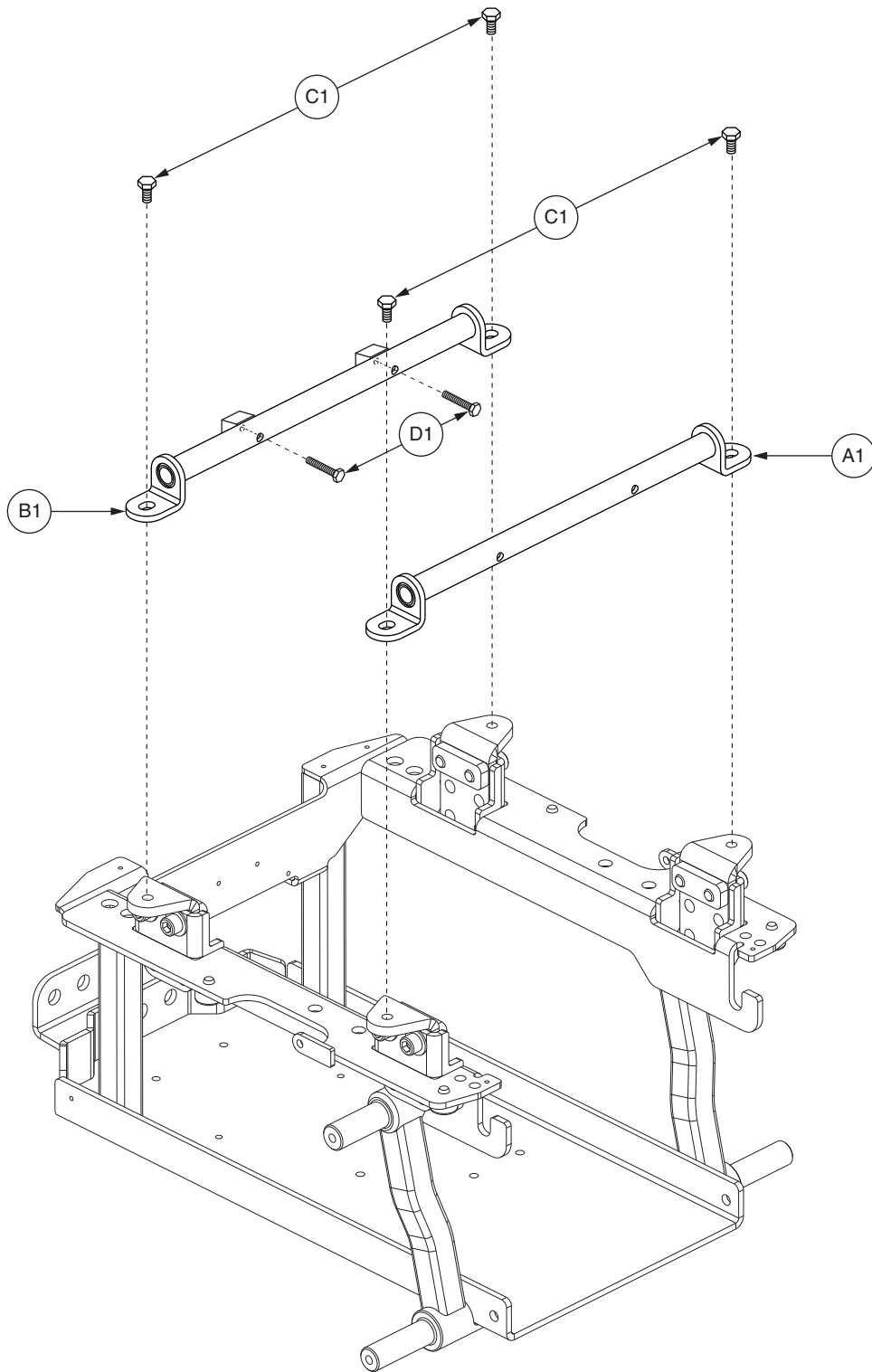
VII. Shroud Assembly With Center Panel

REF #	PART #	DESCRIPTION	QTY	MSRP (AU\$)
A1a - A12	DGN124500	SHROUD,ASSY,CANDY APPLE RED,J623	1	N/A
A1b - A12	DGN124501	SHROUD,ASSY,VIPER BLUE,J623	1	N/A
A1a	DWR1062E038A	SHROUD,MAIN,CANDY APPLE RED,E-1062-038	1	320.64
A1b	DWR1062E038B	SHROUD,MAIN,VIPER BLUE,E-1062-038	1	195.94
A2	DWR1062E036	SHROUD,SIDE TRIM,BLACK,FRONT RIGHT,E-1062-036	1	6.34
A3	DWR1062E037	SHROUD,SIDE TRIM,BLACK,FRONT LEFT,E-1062-037	1	6.34
A4	DWR1062E081	SHROUD,SIDE TRIM,BLACK,REAR RIGHT,E-1062-081	1	7.56
A5	DWR1062E080	SHROUD,SIDE TRIM,BLACK,REAR LEFT,W/BREAKER INSERT,E-1062-080	1	10.12
A6	SCRPPH1388	SCREW,PPH,BLACK ZINC,M3-.5 X 6MM	4	5.63
A7	SCRPPH1036	SCREW,PPH,BLACK ZINC,M4-.7 X 8MM	4	5.62
*A8	DWR1234L004	DECAL,ICON,MAXIMUM WEIGHT CAPACITY,300LBS/135 KG,L-1234-004	1	5.62
*A9	DWR1234L012	DECAL,ICON,1.5",READ OWNERS MANUAL,L-1234-012	1	5.62
*A10	DWR1235L515	DECAL,WARNING,BATTERY WARNINGS,L-1235-515	1	7.02
*A11	LAB120013	DECAL,JAZZY623 AESTHETIC LABEL	2	N/A
*A12	DWR1235L678	DECAL,BATTERY CONNECTION,1.6" X 2.3",QUANTUM623,L-1235-678	1	N/A
B1a	SHDASMB5908	SHROUD,ASSY,FRONT DOOR,CANDY APPLE RED,E-1062-032	1	261.52
B1b	SHDASMB5909	SHROUD,ASSY,FRONT DOOR,VIPER BLUE,E-1062-032	1	255.07
C1a	DGN124498	SHROUD,ASSY,REAR DOOR,CANDY APPLE RED,J623	1	N/A
C1b	DGN124499	SHROUD,ASSY,REAR DOOR,VIPER BLUE,J623	1	N/A
D1	DWR1062D050	SHROUD,BLACK,FENDER,RIGHT,D-1062-050	1	24.65
E1	DWR1062D051	SHROUD,BLACK,FENDER,LEFT,D-1062-051	1	24.66
F1	SCRPPH1036	SCREW,PPH,BLACK ZINC,M4-.7 X 8MM	4	5.62
G1	PLSKNCP1056	KNOB,PLASTIC,M4-.7 X 12MM,KNURLED HEAD,TALL,C-1060-041	2	6.43
H1	WASNEOP1003	WASHER,BLACK,NEOPRENE,3.20MM ID X 7.00MM OD X 1.90MM TH,O-RING	2	5.74
I1	SHDASMB6069	SHROUD,ASSY,BATTERY SPACER,Q6 EDGE	1	73.4
J1	SHDASMB6043	SHROUD,ASSY,CENTER PANEL,STANDARD,Q6 EDGE	1	65.18
K1	VELMUSH1016	REUSABLE FASTENER,MUSHROOM,15MM OD,W/ADHESIVE BACK	8	5.74
L1	DWR1062D072	SHROUD,FRONT DOOR CAP,BLACK,D-1062-072	1	9.22

Notes :

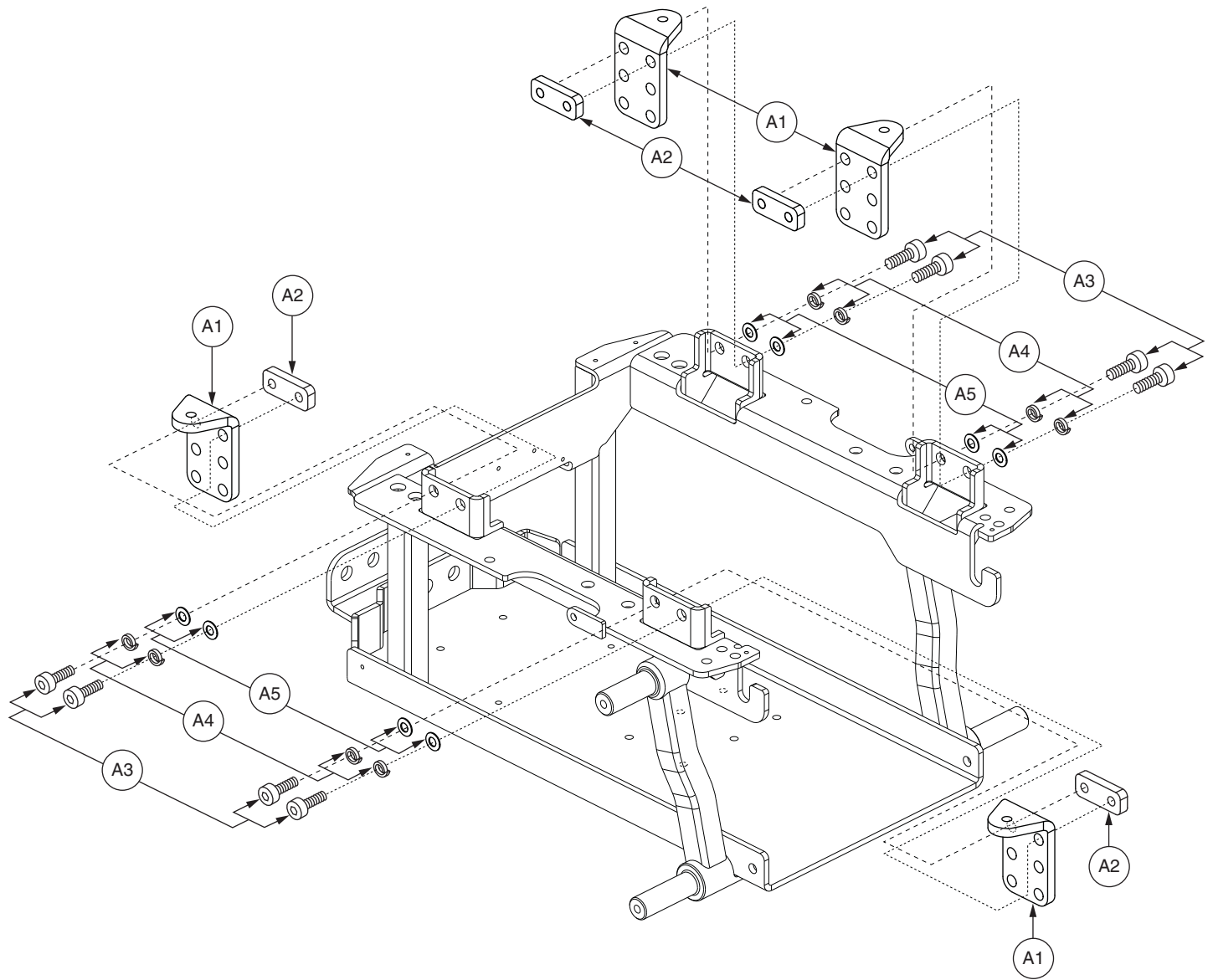
Top-level assemblies with lower-case extensions designate individual color options and will include components designated with corresponding lower-case extensions. Parts without lower-case extensions will be included in all top-level assemblies. All items referenced with an "*" are not shown.

VIII. Trapeze Bars Assembly



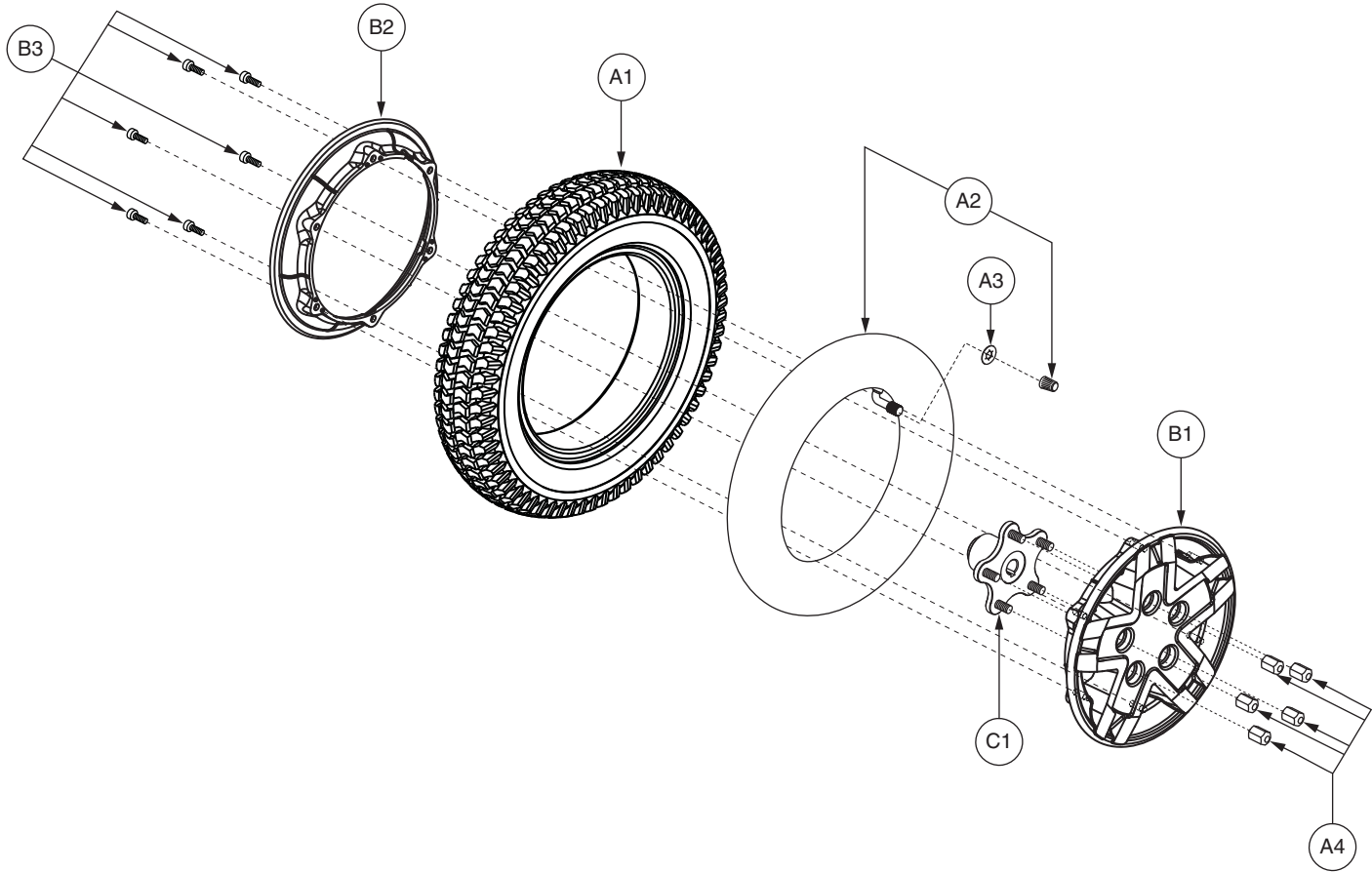
REF #	PART #	DESCRIPTION	QTY	MSRP (AU\$) ¹¹ⁱ
A1 - D1	FRMASMB16167	SEAT TOWER,ASSY,14.00" CENTERS,TRAPEZE BARS,PAIR	1	N/A
A1	FRMASMB16165	SEAT TOWER,ASSY,14.00" CENTERS,FRONT TRAPEZE BAR	1	48.17
B1	FRMASMB16166	SEAT TOWER,ASSY,14.00" CENTERS,REAR TRAPEZE BAR	1	88.52
C1	SCRHHCS1247	SCREW,HHCS,BLACK ZINC,3/8-16 X 0.50",GRADE 8	1	5.9
D1	SCRHHCS1188	SCREW,HHCS,BLACK ZINC,1/4-20 X 1.25",GRADE 5	1	5.62

IX. Seat Mount Assembly



REF #	PART #	DESCRIPTION	QTY	MSRP (AU\$) ¹¹ⁱ
A1 - A5	FRMASMB16029	SEAT MOUNT CONNECTOR, ASSY, L-BRACKET, UNIVERSAL, Q6EDGE, C-1062-041	1	46.8
A1	DWR1062D045	MOUNTING BRACKET, SEAT INTERFACE, UNIVERSAL, D-1062-045	1	23.75
A2	DWR1062C036	MOUNTING BRACKET, SEAT INTERFACE BACK PLATE, THREADED, C-1062-036	1	7.56
A3	SCRSHCS1302	SCREW, SHCS, BLACK ZINC, 3/8-16 X 1.00", GRADE 8, W/NYLON PATCH	2	5.91
A4	WASLOCK1014	WASHER, LOCK, BLACK ZINC, 3/8"ID X 9/16"OD X 1/8"T	2	5.74
A5	WASSAE1006	WASHER, FLAT, BLACK ZINC, 3/8, SAE	2	6.17

X. Drive Wheel Assembly



REF #	PART #	DESCRIPTION	QTY	MSRP (AU\$) ¹¹ⁱ
A1 - B3	WHLASMB2122	WHEEL,ASSY,PNEUMATIC,SILVER RIM/GRAY TIRE,14",5 SPOKE,W/LUGNUTS,E-1203-051	1	385.86
A1	TIRPNEU1004	TIRE,PNEUMATIC,GRAY,3.00-8 X 14",C-248-5	1	113.84
A2	TUBSTND1002	TUBE,300-8,ANGLED VALVE W/CAP	1	50.08
A3	DWR7700A010	SLIP COVER,VALVE STEM,35PSI,2.4 BAR,MAX RATING,A-7700-010	1	5.73
A4	DWR1005B049	NUT,LUG,ZINC,5/16-24,B-1005-049	5	6.87
B1 - B3	WHLASMB2095	WHEEL,ASSY,RIM,SILVER,ALUMINUM,8",5 SPOKE,MACHINED FACE,D-1203-071	1	237.76
B1	DWR1203E041A	WHEEL,RIM,SILVER,ALUMINUM,8",5 SPOKE,MACHINED FACED,OUTER,E-1203-041	1	N/A
B2	DWR1133E025B	WHEEL,RIM,SILVER,ALUMINUM,8",TRI-SPOKE,INNER,E-1133-025	1	N/A
B3	SCRSHCS1175	SCREW,SHCS,BLACK ZINC,M6-1.0 X 20MM	6	5.9
C1	WHLASMB2081	WHEEL,ASSY,HUB,5 SPOKE,W/STUDS,G4 MOTORS,B-1203-010	1	80.78

XI. Owner's and Decal Packages

REF #	PART #	DESCRIPTION	QTY	MSRP (AU\$) ¹¹ⁱ
*N/A	INF122179	OWNER'S PACKAGE,ASSY,J623,AUSTRALIA	1	N/A
*N/A	PROZBAG1003	BAG,10"L X 12"W X 2MIL,ZIPLOCK	1	5.62
*N/A	INFINF1149	MANUAL,WARRANTY CARD,AUSTRALIAN	1	5.62
*N/A	PLSTIE1015	CABLE TIE,BLACK,NYLON,7.5-8MM W X 200-220MM L,100 LBS MINIMUM TESILE STRENGTH	6	5.62
*N/A	DWR1235L519	HANG TAG,ROUND,GENERIC,COUNTRY OF ORIGIN,L-1235-519	1	5.62
*N/A	INFMANU3992	MANUAL,CONSUMER SAFETY GUIDE,POWERCHAIR	1	5.72
*N/A	DWR1202C027	REFLECTOR,AMBER,CASTER SPHERE,C-1202-027	8	5.91
*N/A	INFINF2528	MANUAL,PRODUCT INSERT SHEET,Q6EDGE,REFLECTOR INSTALLATION	1	5.78
*N/A	INFINF2668	MANUAL,PRODUCT INSERT SHEET,Q6EDGE TRANSIT,ENGLISH/FRENCH	1	N/A
*N/A	INFINF3072	MANUAL,PRODUCT INSERT SHEET,POWER CHAIR WARRANTY,AUSTRALIA	1	N/A
*N/A	INFMANU4501	MANUAL,OWNER'S,J623,AUSTRALIA	1	N/A
*N/A	INFINF3184	MANUAL,PRODUCT SPECIFICATION SHEET,J623,AUSTRALIA	1	N/A

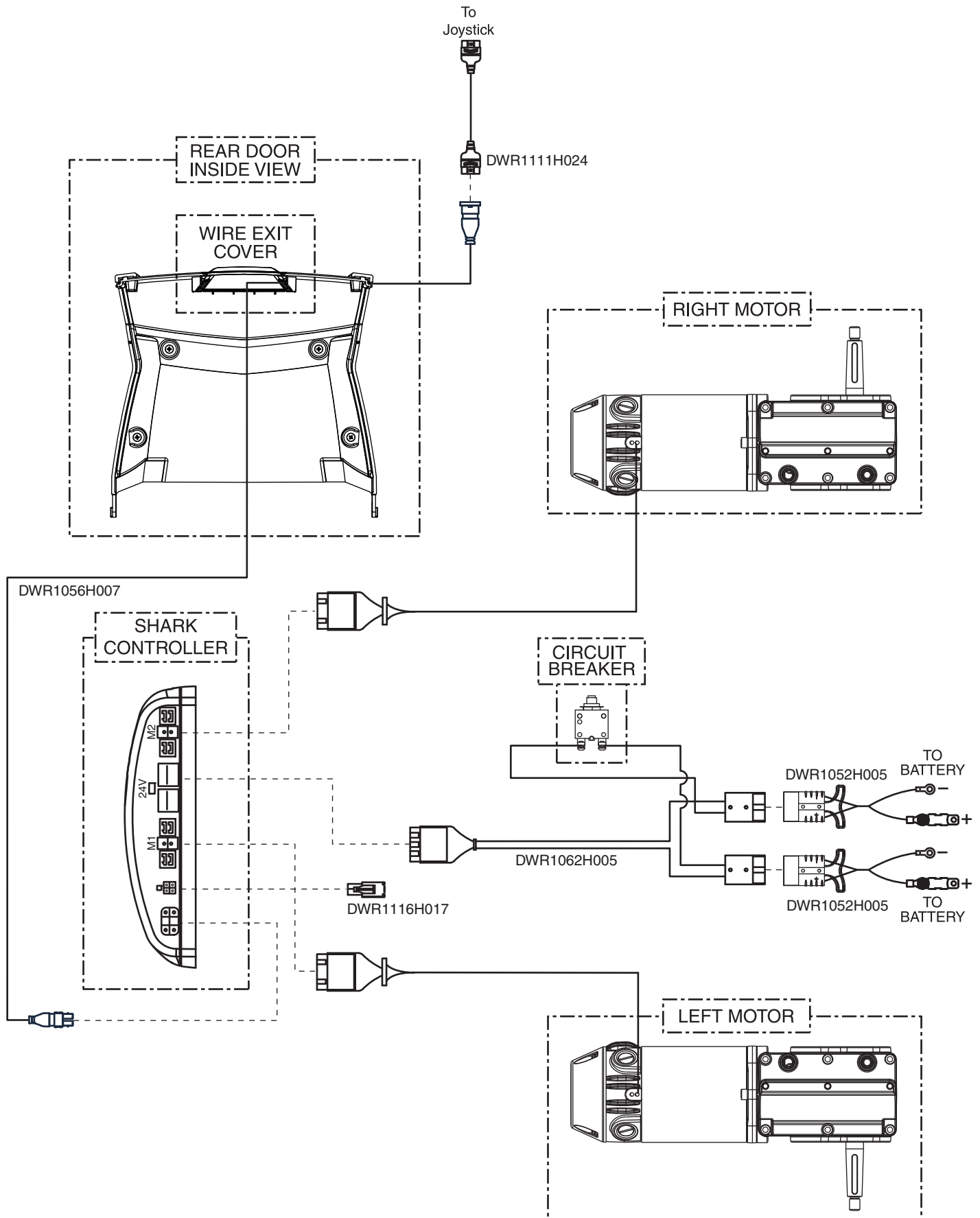
Notes :

*N/A Not applicable.

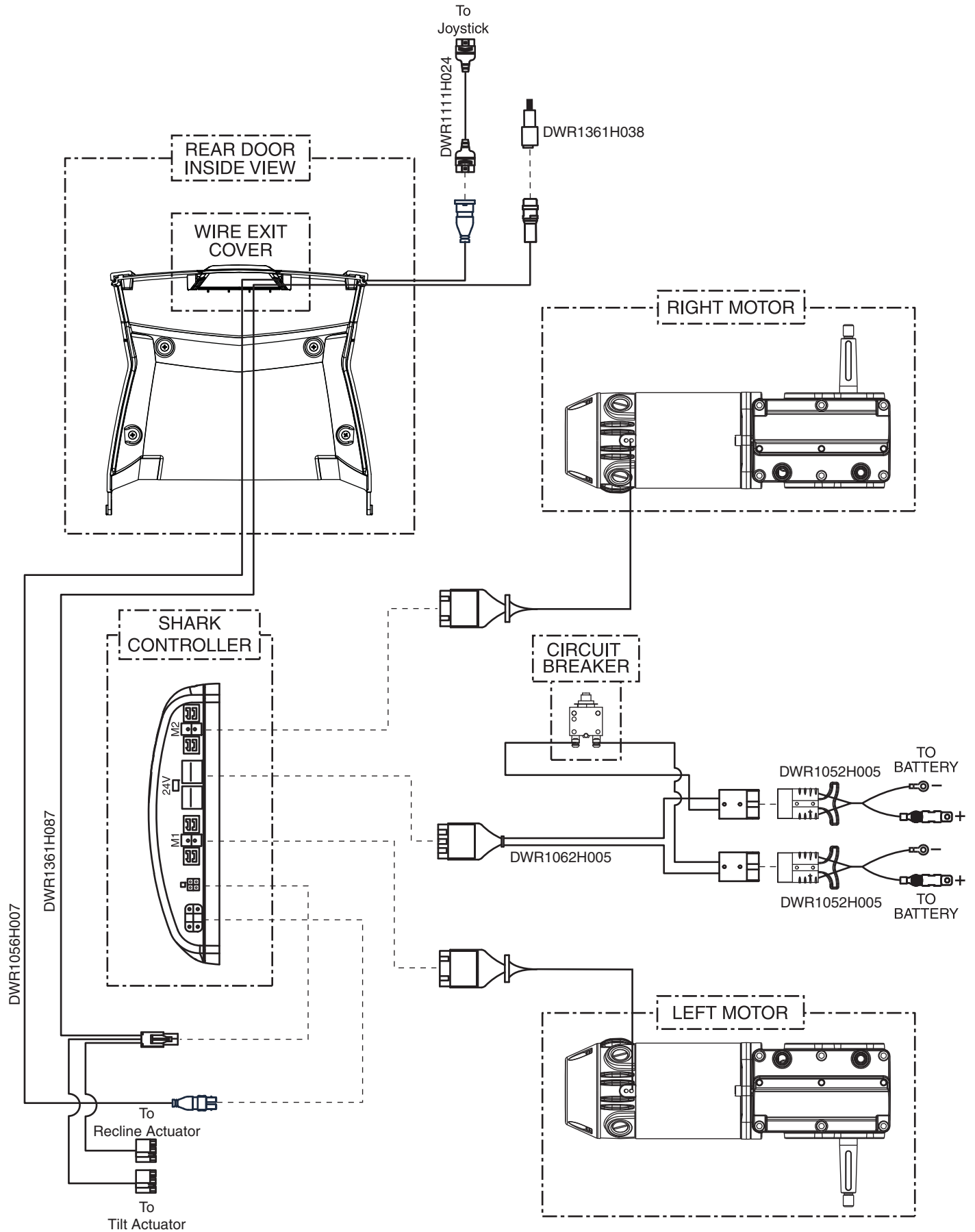
REF #	PART #	DESCRIPTION	QTY	MSRP (AU\$) ¹¹ⁱ
*N/A	LAB122180	DECAL,ASSY,J623,AUSTRALIA	1	N/A
*N/A	DECSERN1032	DECAL,SERIAL NUMBER,4" X 6",BARCODE,W/PRIDE LOGO	1	N/A
*N/A	DWR1000L025	DECAL,POWERCHAIR,US AND FOREIGN PATENTS PENDING,DOMESTIC,L-1000-025	1	N/A
*N/A	DWR1234L799	DECAL,ICON,1" X 2.5",WEATHER/MANUAL/LOOSE GARMENT,L- 1234-799	1	5.63
*N/A	DWR1234L957	DECAL,WARNING,DEFLATE TIRE COMPLETELY,L-1234-957	2	5.62
*N/A	DWR1235L225	DECAL,LIMITED STABILITY,LITESTREAMXF,L-1235-225	1	N/A
*N/A	DWR1235L512	DECAL,WARNING,EMI-RFI,20V/M,L-1235-512	1	7.69
*N/A	DWR1235L520	DECAL,CAUTION,EXTENSION CORD/GROUNDING PRONG,L-1235- 520	1	7.02
*N/A	DWR1235L521	DECAL,WARNING,CONTROLLER CORD PLACEMENT,L-1235-521	1	6.48
*N/A	DWR1235L638	DECAL,ICON,JAZZY FREEWHEEL,UP-DRIVE/DOWN-NEUTRAL,L- 1235-638	2	5.72
*N/A	LAB120013	DECAL,JAZZY623 AESTHETIC LABEL	2	N/A
*N/A	LAB123415	DECAL,DATA PLATE,Q6EDGE	1	N/A

Notes :

*N/A Not applicable.



A. Electrical System Diagrams — 2 Actuators





Pride®

Mobility Products Corp.

www.pridemobility.com

Pride® Mobility Products Corporation

182 Susquehanna Avenue
Exeter, PA 18643
USA

Pride® Mobility Products Company

5095 South Service Road
Beamsville, ON L0R 1B3
Canada

Pride® Mobility Products Ltd.

32 Wedgwood Road
Bicester, Oxon OX26 4UL
UK

Pride® Mobility Products Australia Pty. Ltd.

20-24 Apollo Drive
Hallam, Victoria 3803
Australia

Pride® Mobility Products Italia S.r.l.

Via del Porgresso - ang. Via del Lavoro
Loc. Prato della Corte
00065 - Fiano Romano (RM)

Pride® Mobility Products Europe B.V.

Castricummer Werf 26
1901 RW Castricum
The Netherlands