



WeGo

User Manual



Family Freedom

fireflyfriends.com



MANUFACTURED BY
IBELIEVE SPORTS LTD FOR
JAMES LECKEY DESIGN LTD

TEL: +44 (0)28 9260 0750
MODEL: WEGO PUSHCHAIR

MONTH AND YEAR
OF MANUFACTURE: 2018/11

IMPLEMENTATION
OF STANDARDS: ISO 7176

**REGISTERED TRADE NAME
AND ADDRESS**
JAMES LECKEY DESIGN LIMITED

19C BALLINDERRY ROAD, LISBURN
BT28 2SA, UNITED KINGDOM

TEL: +44 (0)28 9260 0750
MODEL: WEGO PUSHCHAIR

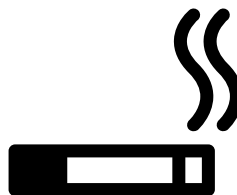
MONTH AND YEAR
OF MANUFACTURE: 11/2018

IMPLEMENTATION
OF STANDARDS: ISO 7176



WARNING: To avoid serious injury from falling or sliding out. Always use the seat harness. Never leave child unattended. **IMPORTANT:** Keep these instructions for future reference. A child's safety is your responsibility. This push chair is suitable for one child. **WARNING:** This seat is not suitable for children under 6 months.

**MEETS THE BS 1021- PART1:
2014 SAFETY REGULATIONS
FOR CIGARETTE IGNITION**



**CAUTION CARELESSNESS
CAUSES FIRE**

- **IMPORTANT:**
Keep these instructions for future reference
- **WARNING:**
Never leave your child unattended
- **WARNING:**
Ensure that all locking devices are engaged before use
- **WARNING:**
To avoid injury ensure that your child is kept away when unfolding and folding this product
- **WARNING:**
Do not let your child play with this product
- **WARNING:**
This seat unit is not suitable for children under 6 months
- **WARNING:**
Always use restraint system
- **WARNING:**
Check that the pram body or seat unit or car seat attachment devices are correctly engaged before use

- **WARNING:**
This product is not suitable for running or skating
- **WARNING:**
Designed for children from 1 year old up to a maximum weight of 30kg
- **WARNING:**
This pushchair has been designed as a medical device and should not be used in a vehicle
- **WARNING:**
Never use this pushchair for more than one child
- **WARNING:**
Keep away from fire

This product is suitable for a child who cannot sit up unaided, roll over and cannot push themselves up on their hands and knees. Maximum weight of the child: 30kg

The Firefly WeGo is a lightweight pushchair that is fully foldable and allows for ease of travelling and daily activities.

CONTENTS

01 Intended Use	p.05
02 Declaration of Conformity	p.06
03 Terms of Warranty	p.06
04 Safety Information	p.06
05 Cleaning & Care	p.08
06 Product Servicing	p.08
07 Important Guidelines	p.09
08 Product Inspection	p.10
09 Reissuing Firefly Products	p.10
10 Setting up your WeGo	p.11
11 Adjusting WeGo	p.17
12 Using the GoTo Seat with WeGo	p.19
13 Adjusting WeGo Harness	p.22
14 WeGo Dimensions	p.23

SECTION 01: INTENDED USE

The WeGo is intended to provide mobility for children who cannot walk independently up to a maximum weight of 30kgs. It is also suitable for children that require additional upper body support and cannot sit-up unaided, roll over or push themselves onto their hands and knees.

The WeGo is compatible with the Firefly GoTo Seat's size 1 & 2 (fabric or Vinyl are suitable). For more info on GoTo sizing please go to www.fireflyfriends.com/uk/our-products/goto-seat

The WeGo is for occasional use and is not intended to replace the primary seating system or wheelchair.

The WeGo **may not** be suitable for children and young people with the following presentations:

- Fixed spinal deformities such as scoliosis or kyphosis
- Severe muscle contractures
- Children with muscle wasting conditions such as muscular dystrophy or amyotrophic lateral sclerosis
- Children at high risk of bone fractures
- High risk of pressure related injury
- Strong, uncontrolled movement patterns



Warning – Child should be secured in the 5 point harness at all times and never left unattended whilst in the pushchair.

Warning – When your WeGo is stationary we recommend the brake be fully engaged to prevent any unintended movement.

- Children with compromised respiratory function
- Children dependant on 3rd party life-sustaining apparatus such as oxygen tanks
- Children between 6 months and 1 year
- Children who cannot maintain their head in midline position with posterior support

Contraindications

- The WeGo is not suitable for children under 6 months of age.

Lecley recommends a trained and experienced clinician be consulted and be present during set-up in order to minimise risk.

SECTION 02: DECLARATION OF CONFORMITY

James Leckey Design Ltd., as manufacturer with sole responsibility for the Firefly brand, declares that WeGo conforms to the requirements of the medical device directive 93/42/EEC. WeGo has been CE marked as a Class 1 medical device.

SECTION 03: TERMS OF WARRANTY

The warranty for WeGo applies only when the product is used according to its intended use, following all manufacturer's specifications. A one year warranty is provided with this James Leckey Design Ltd. manufactured product.

Goods can be returned to us for warranty, repair or replacement up to 12 months from receipt. Once you contact us, we will arrange collection of the goods at our expense and, once returned to us we will repair or replace goods and return them to you within 14 days. In all cases, it is the customers' responsibility to ensure the goods being returned are suitably packaged, preferably in the original packaging.

SECTION 04: SAFETY INFORMATION

1. Always read user instructions fully before use.
2. Always ensure you assess the WeGo for suitability before placing the child into it.
3. Children should not be left unattended /unsupervised at any time in this product.
4. The maximum user weight for WeGo is 30kgs (66lbs). This should never be exceeded.
5. Do not modify WeGo or use components other than Firefly approved components with WeGo at any time. This may put your child at risk and also invalidate your warranty.
6. The WeGo has not been crash tested so cannot be used for transportation in motor vehicles.
7. This pushchair has been designed to carry one child. Do not carry additional items or children except as advised in this manual. Failure to comply may cause damage to the pushchair and/or make it unstable.
8. Overloading or incorrect folding may cause damage to the pushchair.
9. If you are using the GoTo Seat with WeGo, always ensure it is firmly secured to the pushchair by attaching the three black straps.

Please go to section 17 for further guidance.

10. Use extra caution when using the pushchair when your child is in full recline as it may increase the risk of tipping.
11. Always lift the front wheels over curbs or steps by pushing down on the handle.
12. The WeGo must be kept away from all direct sources of heat including naked flames, cigarettes, electric and gas heaters.
13. This pushchair is not suitable for running or skating.
14. Never allow children to fold, assemble or disassemble the pushchair.
15. Never allow the pushchair to be used as a toy or allow children to give rides to others.
16. If you are in any doubt about the safe use of this pushchair or if any parts should fail, please cease using the product immediately and contact Firefly Customer Services on **customer.enquiries@fireflyfriends.com**



Warning: Failure to follow these instructions may put you or the child at risk.

Warning: Keep the plastic cover away from children to avoid suffocation

- **For added safety**, it is recommended that the tether/wrist strap is worn at all times to prevent the pushchair from rolling away.
- When stationary, the brake should be pressed firmly until an audible click is heard. This click indicates that the **brake is fully engaged**.
- Make sure to disengage the brake before moving off. The red bar should be returned to the original position to disengage the lock.
- Never leave your child unattended in the seat.
- Check that the pram body or seat unit or car seat attachment devices are correctly engaged before use.
- Make sure that the child is secured by the 5-point harness restraint system to stop them from falling out of the chair.

- Make sure that your child is not in close proximity when folding and unfolding the chair. This will help to avoid injury.
 - If you are using the GoTo Seat with WeGo, always ensure it is firmly secured to the pushchair by attaching the three black straps.
 - Always lift the front wheels over curbs or steps by pushing down on the handle.
 - Use extra caution when using the pushchair when your child is in full recline as it may increase the risk of tipping.
- 6. The WeGo has not been crash tested so cannot be used for transportation in motor vehicles.
 - 7. This pushchair is not suitable for running or skating.
 - 8. Keep the plastic cover away from children to avoid suffocation
 - 9. Overloading or incorrect folding may cause damage to the pushchair.

Failure to follow these instructions may put you or the child at risk.

Warning:

1. Keep the seat unit away from any source of flame or ignition. This will stop any plastic or textile materials from becoming deformed or faulty
2. Make sure that the child is less than the stated maximum user weight of 30kg to avoid damaging the seat.
3. Never allow children to fold, assemble or disassemble the pushchair.
4. Never allow the pushchair to be used as a toy or allow children to give rides to others.
5. Never use the pushchair for more than one child.

SECTION 05: CLEANING & CARE

1. The pushchair can be cleaned with cold water (30^o) with mild detergent.
2. The lining is removeable and machine washable in cold water and mild detergent. Do not tumble dry.
3. Always allow the product to dry before folding and storing away.
4. Clean the frame with a damp cloth and mild detergent.
5. Do not use abrasive cleaners on the pushchair.

Tip:

One of the best water-based upholstery cleaners is very easy to make at home. Put one cup of warm (not hot) water into a mixing bowl and then add 1/4 cup

of biodegradable dish washing soap. Beat with an electric mixer at medium speed until the liquid becomes a thick foam. This foam will remove built up dirt and most food or drink stains. Not only is this cleaner, simple to make and inexpensive, it is also nontoxic and environmentally-friendly.

SECTION 06: PRODUCT SERVICING

For all service related issues please refer to the firefly website www.fireflyfriends.com or contact the Firefly Customer Services team on customer.enquiries@fireflyfriends.com

SECTION 07: IMPORTANT GUIDELINES

1. Take care to avoid injury to fingers when unfolding and folding the frame.
2. Before placing the child in WeGo, ensure all locking devices are engaged.
3. Secure the child in the harness as soon as they are placed in the pushchair.

Placing of child into GoTo Seat

1. The GoTo Seat must be securely fastened in place for its intended use before placing a child into the seat.
2. Ensure the harness straps do not obstruct placement of child into the GoTo Seat. Shoulder straps and side lateral support straps should be very slack.
3. Close centre buckle and adjust side lateral support straps to ensure child is secure in seat harness. The shoulder strap length should be adjusted to fit your child securely.
4. The groin strap length can be adjusted by accessing the adjustment fitting underneath the padded cover. In the GoTo Size 2 the location of the groin strap can be moved outwards to provide more room for your child as they grow.

Removal of child from GoTo Seat

1. Slacken shoulder straps and side lateral support straps.
2. Unlock central buckle using release button on harness.
3. Slide shoulder straps off child's shoulders and gently remove child's arms from harness.
4. Once legs are safely through, gently fit child's arms through shoulder straps – the shoulder straps should be very slack. Ensure shoulder strap pads are on child's shoulders.

SECTION 08: PRODUCT INSPECTION

We recommend that various checks of the equipment are carried out before each use to ensure the product is safe.

1. Check upholstery for signs of wear and tear.
2. Check all buckles are in full working order.
3. Check all folding elements are secure and operating correctly before each use.
4. Ensure that all locking devices are engaged before use.
5. Check the brakes are in full working order.
6. Do not use the pushchair if any part is damaged or missing.

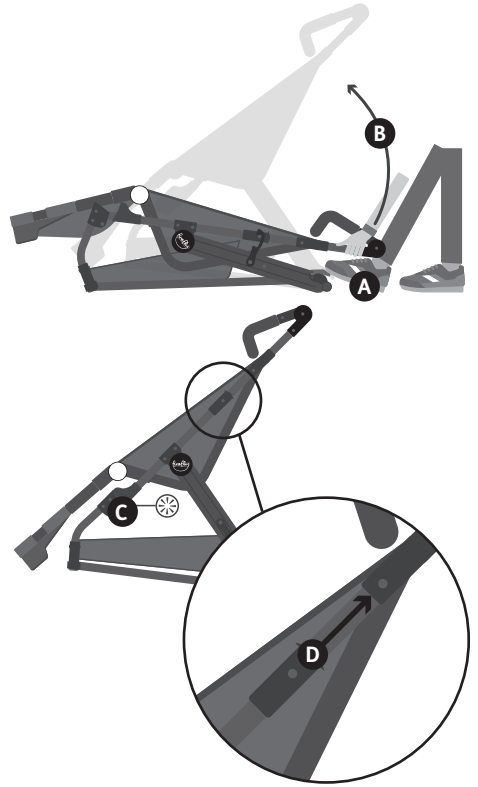
SECTION 09: REISSUING FIREFLY PRODUCTS

Ensure the product has been cleaned thoroughly in accordance with Section 5 of this manual to ensure infection control.

Ensure a copy of the user manual is supplied with the product. If in any doubt about the continued safe use of your Firefly by Leckey product or if any parts should fail, please cease using the product and contact our Firefly Customer Services team as soon as possible on:
customer.enquiries@fireflyfriends.com

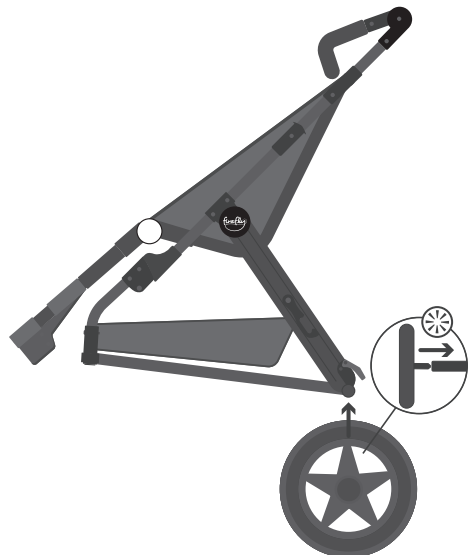
SECTION 10: SETTING UP YOUR WEGO

1. Open the frame of the WeGo by pulling up the handlebar and placing your foot on the rear axle tube as indicated. **A**
2. Lift the handle **B** until you hear a click, this will indicate the frame is locked open. **C**
3. Ensure the safety locks are both engaged.
4. To collapse WeGo pull locking levers on both sides upwards. **D**



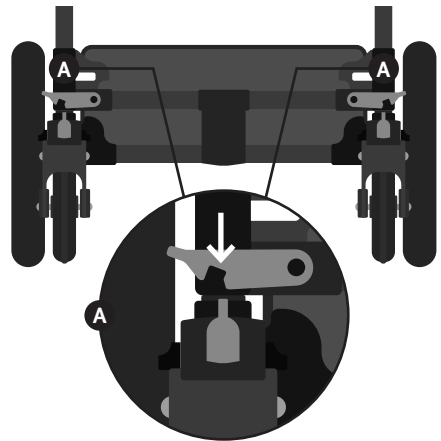
10.1 – REAR WHEEL ASSEMBLY

1. Lift the pushchair rear axle tube and insert the rear wheel axle until you hear a click, this will indicate the wheel is locked into position. Repeat for the second wheel.
2. Ensure the wheels are installed properly before using the WeGo. To inspect, pull the wheel to make sure it is locked into position.



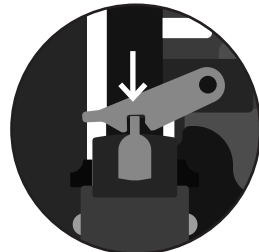
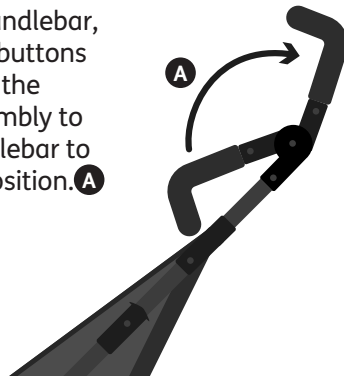
10.2 – FRONT WHEEL ASSEMBLY

1. Lift the pushchair front axle tube and insert the front wheel axle until you hear a click, this will indicate the wheel is locked into position. Repeat for the second wheel. **A**
2. Ensure the wheels are installed properly before using the WeGo. To inspect, pull the wheel to make sure it is locked into position.
3. To lock the front wheels into position, align them into a straight forward position and slide the front wheel lock guide down. **A**
4. To unlock the front wheels, slide the front wheel lock guide up.
5. You will hear an audible click which indicates that the brake is fully engaged.



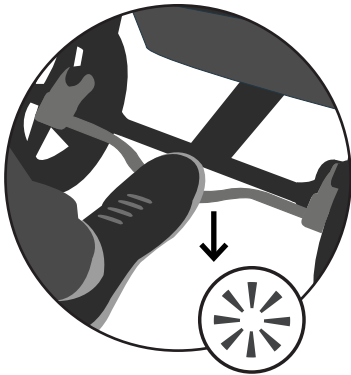
10.3 – ADJUSTING THE HANDLEBAR

1. To adjust the handlebar, press the black buttons on the inside of the handlebar assembly to adjust the handlebar to the preferred position. **A**

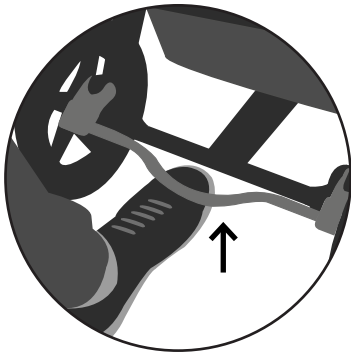


10.4 – USING THE BRAKE

1. To enable the brake press foot down on red brake bar until wheels are locked. You will hear an audible **click** which indicates that the brake is fully engaged.

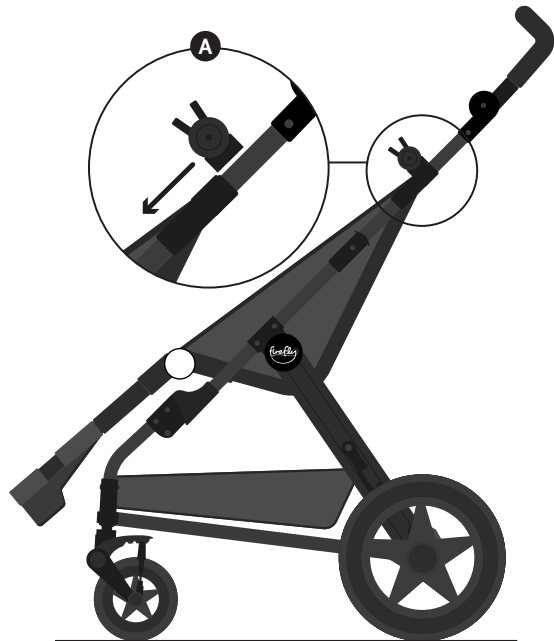


2. To release brake pull red brake bar back up to original position.

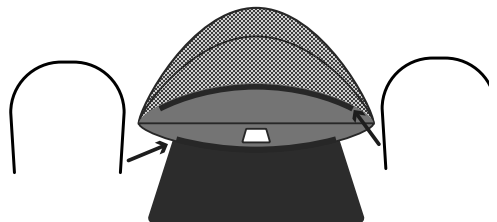


SECTION 10.5 – ATTACHING THE HOOD

1. Attach the plastic prong to the pushchair by sliding it into the attachment shown. **A**

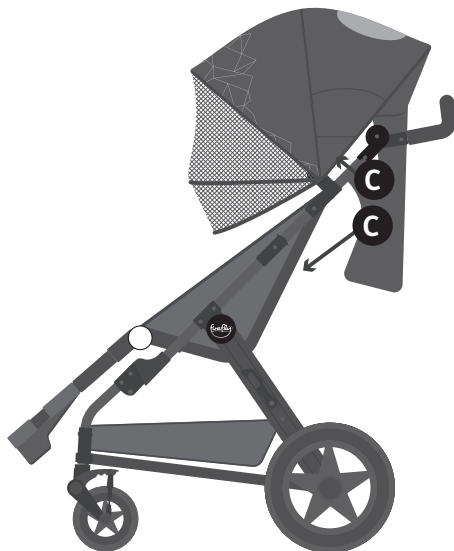
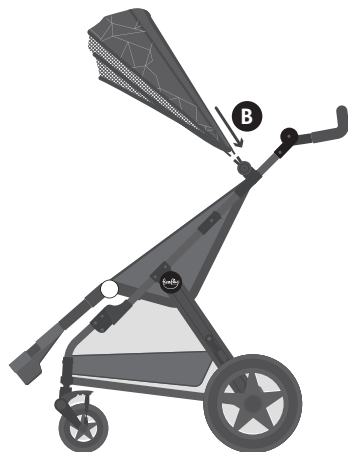


2. Feed the plastic rods through the material of the hood as shown in the image.



Continued →

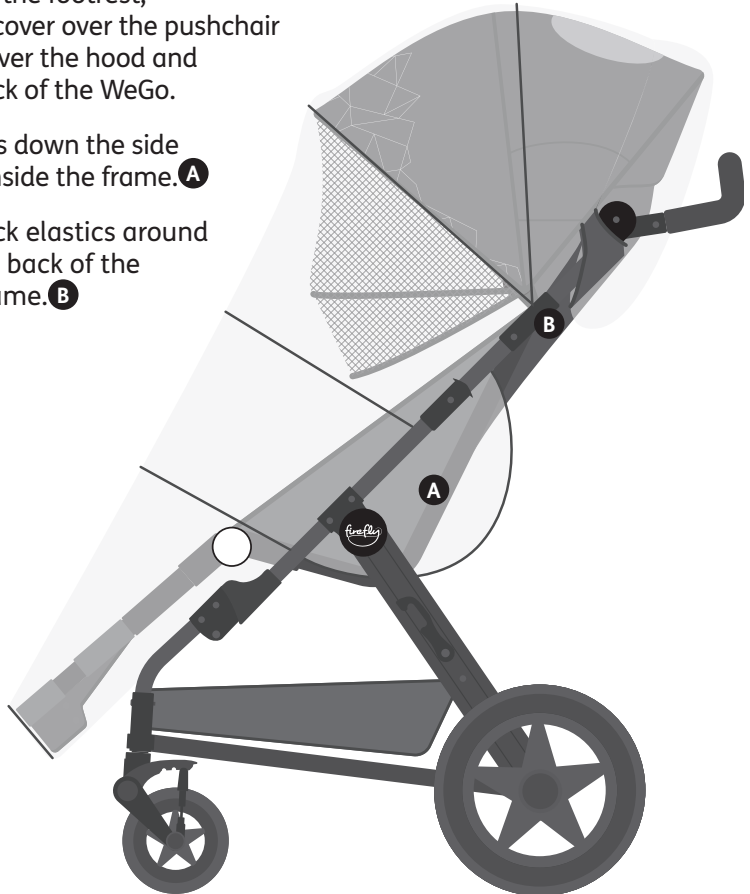
3. Insert the rods into the plastic prongs on both sides of the pushchair and push down. **B**
4. Loop the black elastics around hooks on the back of the pushchair frame.
5. Connect the Velcro on the hood to ensure the hood is secure. **C**



SECTION 10.6 – ATTACHING THE RAIN COVER

1. Starting with the footrest, pull the rain cover over the pushchair and pull up over the hood and down the back of the WeGo.
2. Pull the wings down the side and secure inside the frame. **A**
3. Loop the black elastics around hooks on the back of the pushchair frame. **B**

Top tip – To put the backrest in a fully upright position, pull it forward and tighten as much as possible before attaching the hood



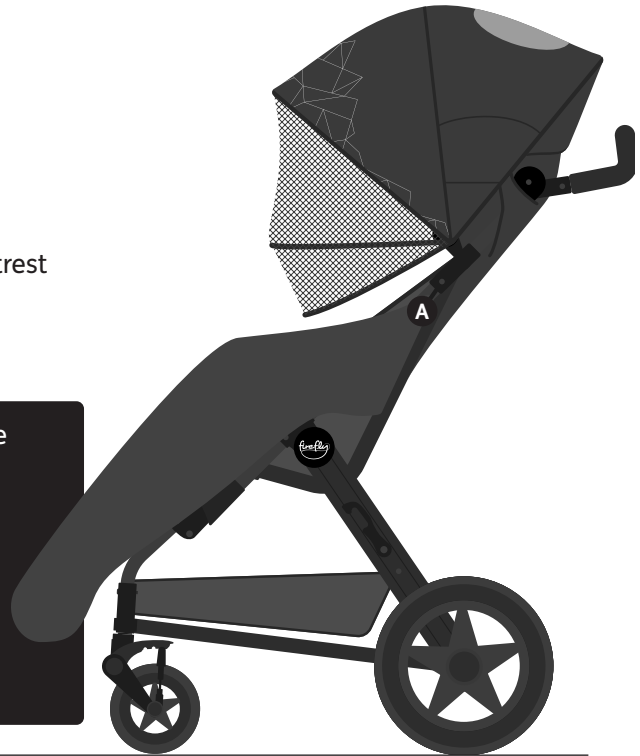
SECTION 10.7 – ATTACHING THE FOOTMUFF

1. Pull the footmuff over the footrest and feed the toggles through the loops on both sides of the pushchair. **A**



Children should not be left unattended / unsupervised at any time in this product.

Please ensure all footmuff adjustment parts are kept away from the child.



SECTION 10.8 – ATTACHING THE MOSQUITO NET

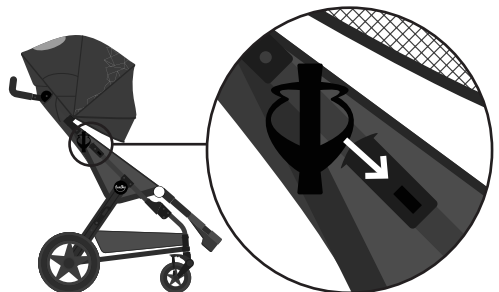
1. Place the mosquito net over the pushchair and attach using the toggles – feed the toggles through the loops on both sides of the pushchair.



Warning: Please only use cold drinks in the cup holder

SECTION 10.9 – ATTACHING THE CUP HOLDER

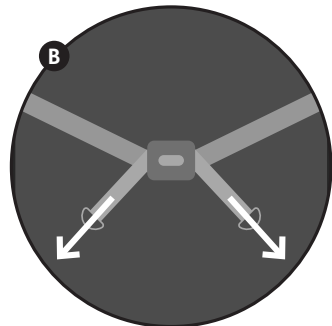
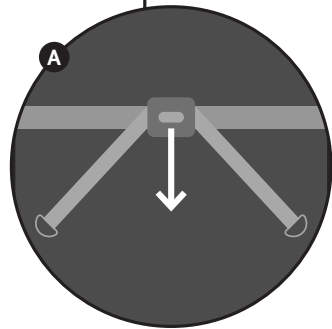
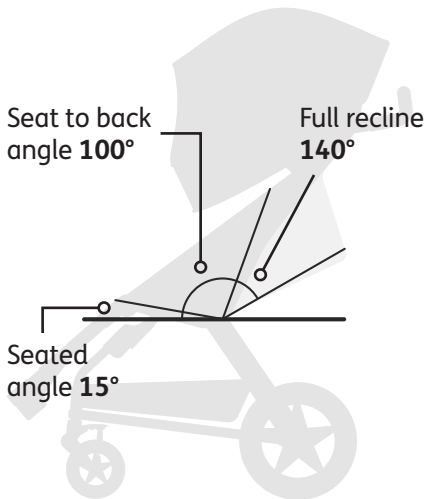
1. Slide the cup holder into the fixing on the right side of the pushchair frame.



SECTION 11: ADJUSTING THE WEGO

11.1 – ADJUSTING THE BACKREST

1. To adjust the backrest backwards, pull the grey plastic lever toward yourself to your preferred angle. **A**
2. To adjust the backrest to an upright position, pull the grey plastic D – rings to your preferred angle. **B**
3. To get the seat in a fully upright position push the backrest up beyond the frame and tighten by pulling the plastic D-rings.

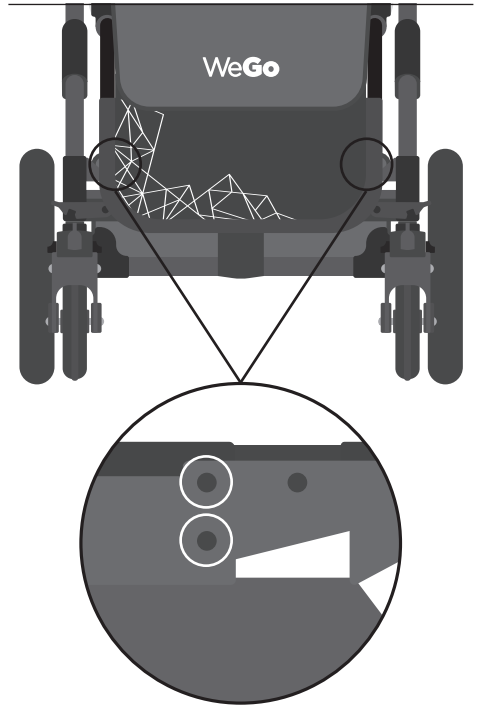
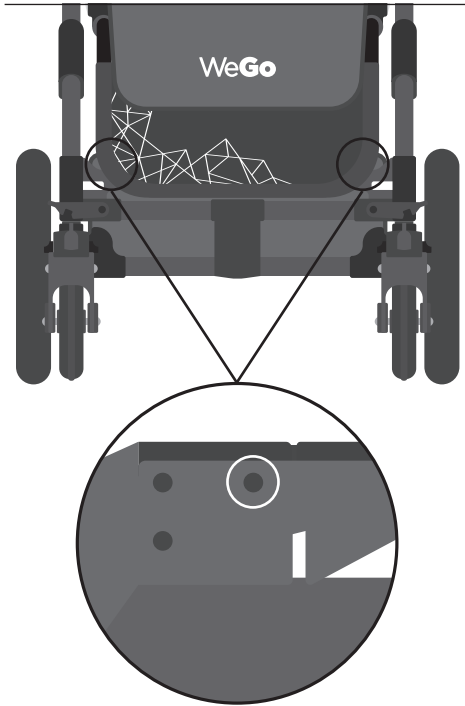


Warning – never attempt to adjust the WeGo when a child is occupying the seat

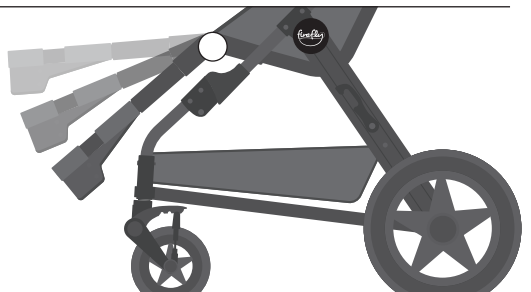
11.2 – ADJUSTING FOOTREST

1. To fix the footrest in the shortest setting, push up as far as it will go and secure the top popper on each side on the fabric. Please ensure they are fully engaged.

2. To fix the footrest in the longest setting, release the poppers and pull down until the locking pin has clicked and engage lower poppers on each side.

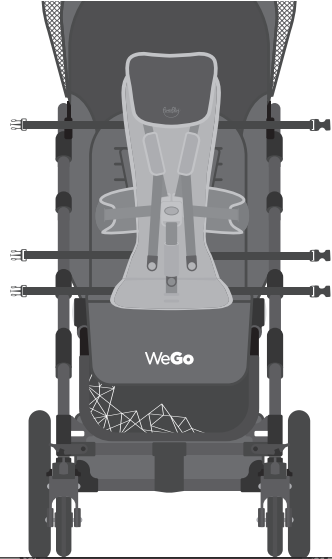


3. Footplate can be tilted to preferred angle by pressing the white button on the side hinge of the footplate.

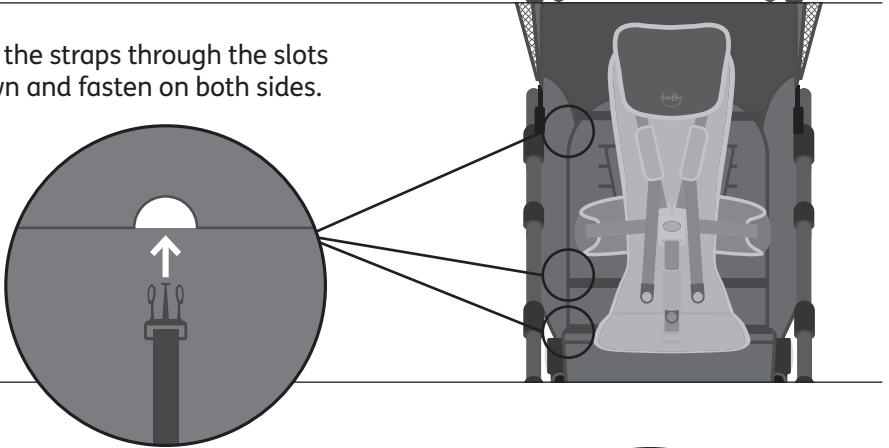


SECTION 12: USING THE GOTO SEAT WITH THE WEGO

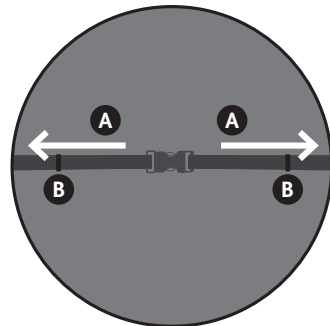
1. Make sure all straps on the GoTo Seat are loose and not fastened to each other. Place the GoTo Seat into the pushchair.



2. Feed the straps through the slots shown and fasten on both sides.



3. Pull straps outwards to tighten. **A**
4. Tidy excess straps into loops and secure into the clips. **B**
5. Ensure all black straps are securely fastened around the pushchair and the five – point buckle at the front is unfastened before placing the child in the GoTo Seat.



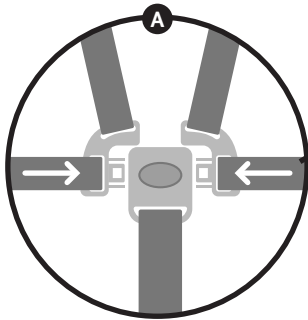
Continued →

SECTION 12.1: OPENING & CLOSING THE 5 POINT BUCKLE

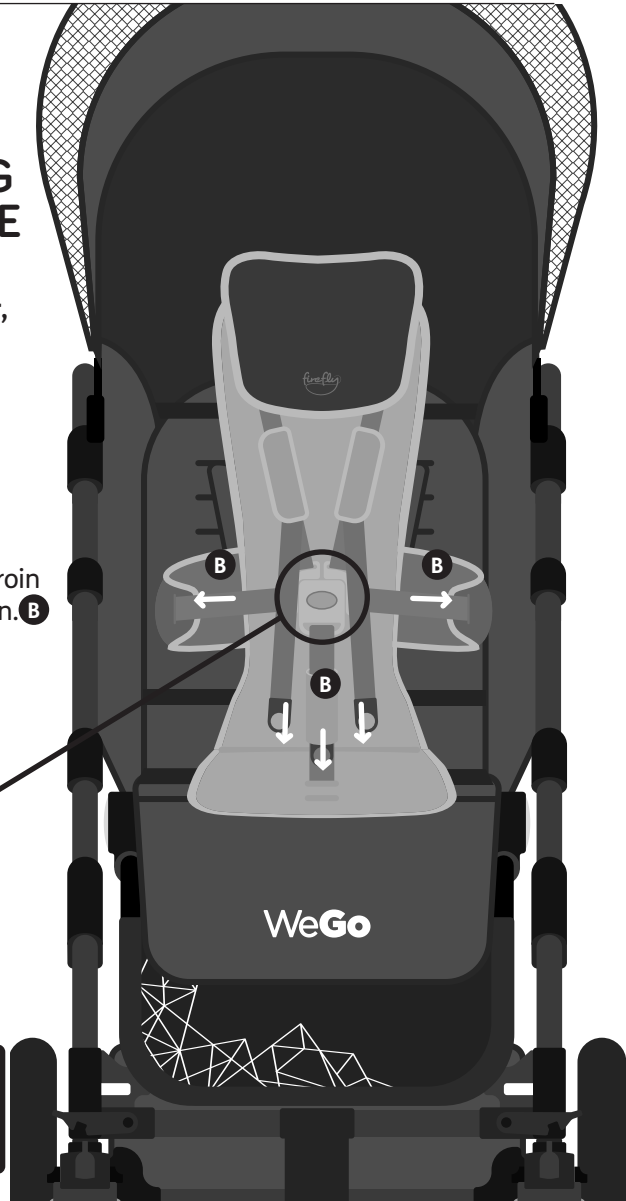
Before beginning, ensure shoulder, lateral support and groin straps are all loose and unfastened.

Attach the two lateral support fastenings to the sides of the mid-point buckle. **A**

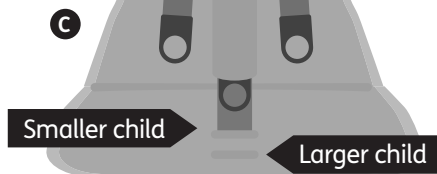
Once fastened, adjust the shoulder straps, lateral support straps and groin strap by pulling the straps to tighten. **B**



Make sure the straps are not twisted when the buckle is closed.



In Size 2 GoTo the groin strap mounting location can be moved backwards or forwards to suit your child's needs. Ensure it is firmly fitted to the plastic GoTo base. **C**

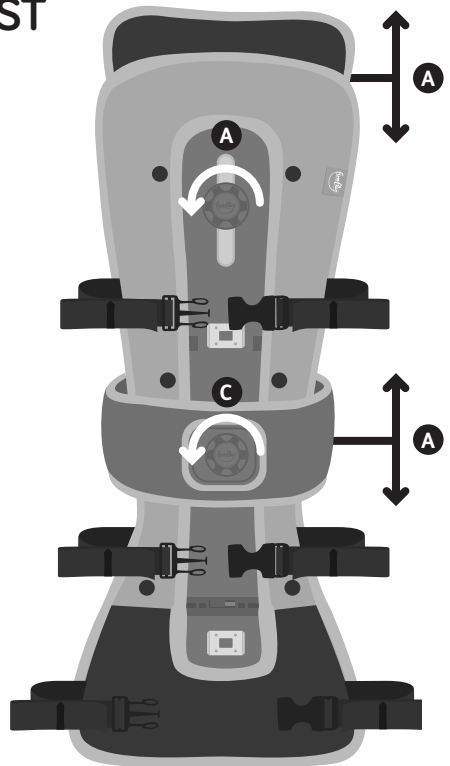


SECTION 12.2: ADJUSTING THE HEADREST AND LATERAL SUPPORT

Unscrew the knob at the headrest anti-clockwise to remove the headrest from the GoTo Seat base. Move the headrest up or down to achieve your desired position. **A**

Once you have the headrest at your desired height, screw the knob back in to the GoTo Seat base by turning clockwise. **B**

Detach the lateral support by turning the knob anti-clockwise. Move the lateral support up or down to achieve your desired position. Once you have the lateral at your desired height, secure the lateral again by turning the knob clockwise. **C**

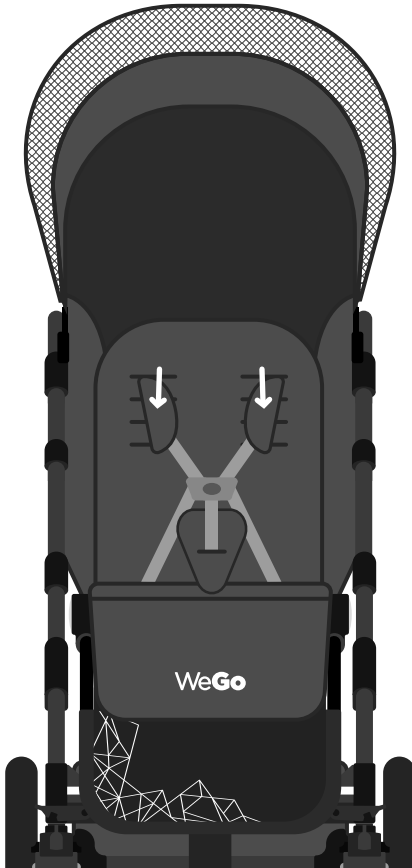
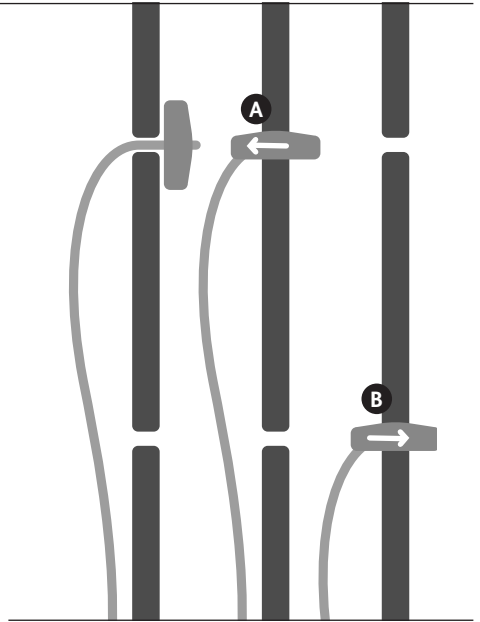


SECTION 13: ADJUSTING WEGO HARNESS

To adjust the shoulder straps on the WeGo, slide the end buckle on the back of the back rest through back slot. **A**

Then feed the buckle through the desired height slot. **B**

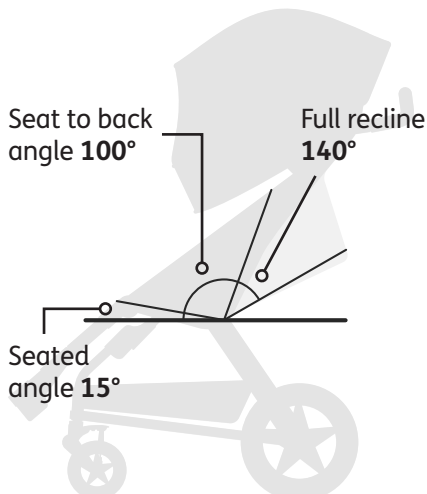
You can tighten or loosen up the straps by adjusting the buckles on the straps.



SECTION 14: WEGO DIMENSIONS

Footprint Length (Collapsed)	116cm
Footprint Height (Collapsed)	38cm
WeGo Height	122cm
Seat Depth	26cm
Seat Height	50cm
Seat Width	35cm
Footrest Shortest Length	25cm
Footrest Longest Length	33cm
WeGo Weight	11kg
WeGo Weight with GoTo	13kg

Please note - Not all children using the GoTo Size 2 seat will be suitable for the WeGo Pushchair. Please refer to our sizing guide.





Firefly Friends Ltd
19c Ballinderry Road
Lisburn BT28 2SA
Northern Ireland

(+44) 28 9267 8879
hello@fireflyfriends.com

fireflyfriends.com



LS621-02

