



***KARMA MEDICAL PRODUCTS CO., LTD.***

***Manual Wheelchair Owner's Manual***

KM-5000 recliner Series



ISO 9001

*Lead the way, all the way!*



## **GENERAL WARNING**

- DO maintain your chair well, in particular check the tyre(tire) pressure since this affects the efficiency of the brakes.
- DO make sure both brakes are applied before getting in or out of the chair.
- DO make sure both brakes are applied when the chair is not being pushed or used.
- DO take care when climbing kerb(curb) or turning on slopes.
- DO avoid steep or uneven surfaces that may cause the chair to tip over.
- DO avoid soft surfaces because the castors(casters) may become bogged down.
- DO travel smoothly in all conditions.
- DO look well ahead to anticipate hazards such as furniture, doors, potholes, slopes, kerbs(curbs), doorways etc.
- DO make sure that both feet are safely on the footrests and that clothing is safely tucked out of the way so that it cannot get caught in the wheels.
- DO take care when travelling up or down or across inclines.
- DO keep both hands on the push handles to control the chair, if you are the attendant.
- DO pay attention to keep the chair's balance.
- DO check the frame and components regularly and refer to this user guide during and after the warranty period.
- DO, when upholstery is loose, replace it with a new part.
- DO equip with anti-tippers to avoid falling backwards.
- DO equip with a seat belt designed for disabled people.
- DO equip with "heel loops" for disabled people.
- DO be far away of flame, it might injury user and damage the chair.
- DON'T overload the chair under any circumstances.
- DON'T hang anything heavy on the back of the chair that could cause the chair to become unstable, particularly when negotiating inclines.
- DON'T allow more than one user at a time.
- DON'T use with an unconscious patient.
- DON'T use other transport to pull the wheelchair.
- DON'T do "wheelies", since you may fall or tip over backwards and suffer a severe injury.
- DON'T go too fast or turn too quickly.
- DON'T travel across a slope greater than 7 degrees.
- DON'T stand on the footplates when getting in or out of the chair.
- DON'T go down steps forward.
- DON'T attempt to lift the wheelchair by any removable (detachable) parts. Lifting by means of any removable (detachable) parts of the wheelchair may result in injury to the user and/or attendant or damage to the wheelchair.
- DON'T use the wheelchair when back joint folded. This alters the centre of gravity and may cause the wheelchair to tip backwards. It should only be folded for storage or transport of the wheelchair.
- DON'T hang anything on the back joint that could cause the backrest to fold suddenly and may cause injury.

## **YOU AND YOUR KARMA SERVICE PROVIDER**

- No tools are required for assembly. Your wheelchair should be set up by your authorized Karma dealer. Your authorized Karma dealer is also your service provider. Unauthorized repairs, upgrades and add-ons will negate your warranty and may lead to injury. Any adjustments to the rear wheel position should be carried out by your authorized Karma service provider. Your Karma service provider has the necessary service/maintenance manual for your wheelchair.
- If you have any defective parts or lose any parts, please contact your dealer for repair and/or replacement. Please only use parts authorized by Karma. Use of parts that are not authorized by Karma will negate your warranty.
- Customers should order parts through their dealer as well as all repairs and scheduled maintenance.
- Customers should go to their dealership for all service needs to guarantee their warranty is not nullified. Always go to an authorized service provider. Unauthorized repairs will nullify your warranty. Procedures other than those described in this manual must be performed by a qualified technician. They also have the service manual with a complete list of maintenance required to keep your Karma wheelchair in good working order. Check the warranty section of this manual to find out what Karma guarantees and what maintenance and parts you will have to pay for.
- Karma does not have an official list of service providers at this time. Please contact your dealer for service. If you cannot contact your dealer, please contact another authorized Karma dealer for service. If this is not possible please contact us and we will arrange for a service repair. Please note that there will be a charge for collection and delivery of your wheelchair.

## **CE MARKING**

This wheelchair complies with the requirements of the Medical Devices Directive 93/42/EEC.



### **CAUTION:**

Before purchasing and using a Karma wheelchair, please consult a qualified professional to ensure that you choose a suitable product and receive training in how to use it. It may also be necessary to fit additional equipment to your wheelchair or change your wheelchairs set up. Please consult your service provider.




## TABLE OF CONTENTS

1. PREFACE .....	1
2. SAFETY .....	2
3. INTENDED USE & PARTS .....	6
4. OPERATION .....	8
5. INSPECTION AND MAINTENANCE .....	20
6. OPTION AND ACCESSARIES .....	22
7. TROUBLESHOOTING .....	24
8. SPECIFICATIONS .....	25
9. CLEANING & RECYCLING .....	26
10. WARRANTY .....	27

# 1. PREFACE

Please carefully read this owner's manual before using the wheelchair. Improper use of the wheelchair could result in harm or injury. Therefore, for safe and enjoyable use of the wheelchair, please read this owner's manual.

- This owner's manual includes operation instructions for the aspects of the wheelchair, unfolding/folding instructions and instructions on how to deal with possible accidents.
- This owner's manual is written for Karma wheelchair: KM-5000 recliner.
- The symbols used in this manual are explained below. Pay special attention to the parts marked with these symbols.

	WARNING:	Improper use could lead to serious injury or death.
	CAUTION:	Improper use could lead to serious injury and/or damage to your wheelchair.
	SUGGESTION:	Follow these instructions to keep the wheelchair in good condition.

- This manual includes a repair and maintenance chart as well as details of your warranty.
- If someone else uses the wheelchair, make sure that you give them this owner's manual for his or her reference.
- As designs change, some illustrations and pictures in this manual may not correspond to the wheelchair that you purchased. We reserve the right to make design modifications without further notice. This manual will be updated regularly please refer to the Karma website for the latest version.

## **2. SAFETY**

### **2.1 Doorways**

The safest way to operate the chair is on level floors that are free of obstacles. Whenever possible use a ramp to enter or exit a facility. Keeping your hands on the push rims will allow you to maintain maximum balance. Do not try to force yourself over an obstruction by propulsion and never use the sides of a doorway to pull yourself through a passageway.

### **2.2 Leaning**

Do not lean over the side of your wheelchair since such an action may cause your to lose balance and fall. (See Figure 2.1)

### **2.3 Navigating Inclines**

- Never turn on a hill due to the danger of tipping.
- When pushing a wheelchair, go straight up a slope. If you need to go down, walk backwards until user is on level ground. (See Figures 2.2 and 2.3)
- Avoid stopping on an incline; it can potentially cause you to lose control of the chair.
- Do not use the parking brakes to slow down or stop the wheelchair; this could cause it to seize up or pull to on side, causing you to lose control of the wheelchair.
- Whenever possible, navigate inclines with an attendant.

### **2.4 Kerbs(Curbs)**

- Whenever possible get help from an assistant/attendant (if you have assistance make sure that your chair is equipped with push handles).
- Avoid hard impacts when descending a kerb(curb). A hard impact could adversely affect the chair.
- Never try to scale or descend kerb(curb) that exceed a normal height (30-50mm).
- Always be careful when climbing kerb(curb) and never move up or down a kerb(curb) in reverse without an assistant.

### **2.5 Stairs**

- Always use two or more assistants. Tilt the wheelchair to its point of equilibrium. One assistant (at the back) holds the wheelchair up against the first step, gripping the handles firmly to lift. The second assistant, holding firmly a fixed part of the front frame, lifts the wheelchair above the stairs and holds it while the first attendant places one foot on the following step and repeat the operation (See below Figure)
- Never go down steps forwards.
- Never use an escalator for transport, use an elevator.





## 2.6 Streets

- Always use extreme caution when crossing streets. Reflective tape on the chair and/or your clothing will make you more visible to drivers.
- Avoid potholes and rough terrain that might cause the castors(casters) to become stuck. (See Figure 2.4)

## 2.7 General

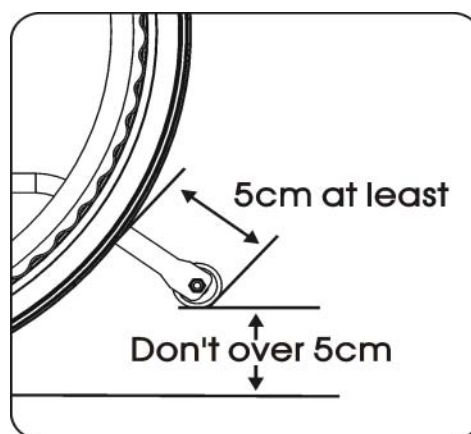
- Always make sure BOTH brakes are applied before getting in or out of the chair.
- Never stand on the footplates when getting in or out of the chair.
- Never carry more than one passenger. Karma wheelchairs are designed for one user.
- Please make sure your clothing does not get caught in the rear wheels.

## 2.8 Upholstery

- When cleaning the upholstery, use warm water and a mild soap.
- Upholstery cleaner/foam can also be used, but avoid other cleaning solvents.

## 2.9 Anti-tippers

Please purchase anti-tippers and always use them to avoid personal injury. The distance between the rear wheel and the anti-tip wheel should be not less than 5cm. The anti-tip should not be more than 5cm above the ground.



## 2.10 Maximum User Weight Limit

The KM-5000 series is suitable for users weighing not more than 115kg. Please note loads exceeding maximum capacity can damage your wheelchair and cause malfunctions creating a safety hazard. The warranty does not cover damage caused by improper operation of the wheelchair.

## 2.11 Avoid General Misuse:

- Please note any vehicle can cause injury if used incorrectly. This user guide contains a number of cautions. Please follow these guidelines to increase your safety. Please be aware that careless use endangers your own safety as well as that of others. ALWAYS follow the Highway Code when outdoors and the guidelines written in this manual. Your wheelchair will give years of safe use if used sensibly and carefully.
- Do not let children stand or play on the wheelchair. (See Figure 2.5)



Figure 2.1



Figure 2.2



Figure 2.3



Figure 2.4



Figure 2.5

## 2.12 Labelling

Please carefully read all the labelling on the wheelchair before using it. Please do not remove them and protect them for future reference.



3

<b>Model:</b>	
<b>Order No.:</b>	
<b>Delivery Date:</b>	
<b>Sewing No.:</b> <input type="checkbox"/> 1 <input type="checkbox"/> 2 <input type="checkbox"/> 3 <input type="checkbox"/> 4 <input type="checkbox"/> 5 <input type="checkbox"/> 6	
<b>Seat Width</b>	<b>Seat Depth</b>
<input type="checkbox"/> 13	<input type="checkbox"/> 13
<input type="checkbox"/> 14	<input type="checkbox"/> 14
<input type="checkbox"/> 15	<input type="checkbox"/> 15
<input type="checkbox"/> 16	<input type="checkbox"/> 16
<input type="checkbox"/> 17 <input type="checkbox"/> 0	<input type="checkbox"/> 17 <input type="checkbox"/> 0
<input type="checkbox"/> 18 <input type="checkbox"/> 5	<input type="checkbox"/> 18 <input type="checkbox"/> 5
<input type="checkbox"/> 19	<input type="checkbox"/> 19
<input type="checkbox"/> 20	<input type="checkbox"/> 20
<input type="checkbox"/> 21	<input type="checkbox"/> 21
<input type="checkbox"/> 22	<input type="checkbox"/> 22
<input type="checkbox"/>	<input type="checkbox"/>
<b>KARMA</b>	<b>Unit: Inch</b> 105-90099

### **3. INTENDED USE & PARTS**

#### **3.1 Intended Use**

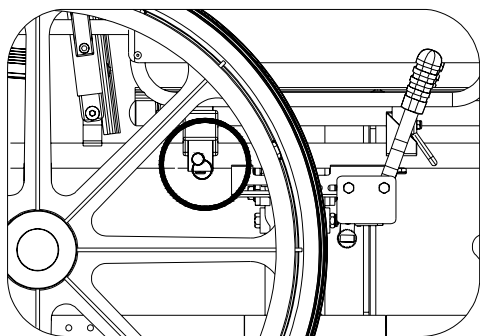
- The KM-5000 series is a self-propelled or transit wheelchair. That is, it can either be propelled by an attendant (transit) or by the user (self-propelled).
- The KM-5000 series is suitable for users up to 115kg in weight. Backrest reclines smoothly from 90° - 163°.
- The KM-5000 series is an adjustable wheelchair. It is suitable for users who require side transfer. The detachable parts are easy to operate.
- It has solid tyres(tires). It also has an extremely durable aluminium alloy frame with tough accessories and does not suffer in dramatic extremes of temperature (neither user nor attendant need touch metal parts in normal use).
- The castors(casters) have PU tyres(tires) for greater durability; pneumatic castors(casters) are available on request.
- Spoked rear wheels are 24 inches in diameter with micro-cellular tyres(tires).
- When prescribing wheelchairs for use by full or partial amputees (above or below knee, single or double) or other conditions that affects the users natural centre of gravity, we suggest contacting your therapist or dealer as well as attaching anti-tippers. The wheelchair has been designed to allow the rear wheels to be set back for amputees.

### 3.2 Parts Description

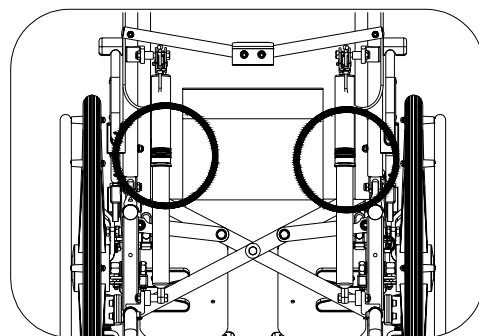


- |   |  |
|---|--|
| <ul style="list-style-type: none"> <li>1. Pillow</li> <li>2. Headrest</li> <li>3. Backrest Upholstery</li> <li>4. Push Handle</li> <li>5. Reclining Lever</li> <li>6. Armrest</li> <li>7. Parking Brake</li> <li>8. Rear Wheel</li> </ul> | <ul style="list-style-type: none"> <li>9. Anti-Tip</li> <li>10. Frame / Cross bar</li> <li>11. Castor (Caster)</li> <li>12. Seat Upholstery</li> <li>13. Swing-away Elevating Footrest</li> <li>14. Calf Pad</li> <li>15. Footplate</li> </ul> |
|---|--|

- 14" rear wheels are available.
- Figure 3.1



Self-locking Ring Pin  
Figure 3.2



Reclining Gas Strut  
Figure 3.3

## 4. OPERATION

### 4.1 Preparing For Use

#### 4.1.1 Unfolding

- Holding the armrests, pull outwards. (See Figure 4.1)
- Pointing your fingers inward with the palm of your hand on the frame, push down until the seat is fully lowered. Make sure the frame is firmly seated in its holder. (See Figure 4.2)
- Attach footrest and check it is locked. (See Figure 4.3)
- Flip the footplates down. (See Figure 4.4)
- Push down the lateral support mechanism. (See Figure 4.5)
- Ready for action! (See Figure 4.6)

Alternatively, you can stand at the side of the chair and complete step 1 by pulling the nearest armrest towards you and pushing the other one away.

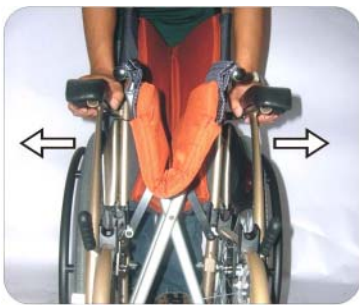


Figure 4.1



Figure 4.2



Figure 4.3



Figure 4.4



Figure 4.5



Figure 4.6



#### **CAUTION:**

When completing step 2 never put your fingers around the sides or under the seat as they can be trapped between the seat and the frame. (See Figure 4.7)

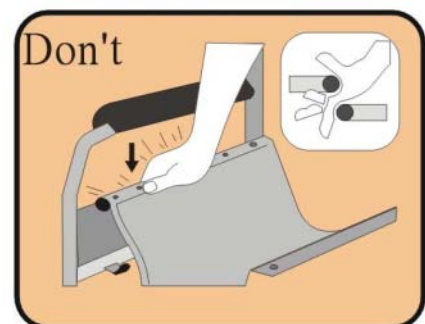


Figure 4.7

### 4.1.2 Assembling headrest

- Put headrest tubes into back tubes. (See Figure 4.8)
- Press the button to be locked in the tubes. (See Figure 4.9)



Figure 4.8



Figure 4.9

### 4.1.3 Folding

- Flip up the footplates. (See Figure 4.10)
- Swing away the footrest and disassemble the footrest. (See Figure 4.11)
- Release the lateral support mechanism. (See Figure 4.12)
- Disassemble the headrest. (See Figure 4.13)
- Pull up on the seat upholstery by holding it in the centre of its front and back edge. (See Figure 4.14)
- Folding is now completed. (See Figure 4.15)



Figure 4.10



Figure 4.11



Figure 4.12



Figure 4.13



Figure 4.14



Figure 4.15



#### **CAUTION:**

Be careful not to get your fingers caught when folding the wheelchair.

## 4.1.3 Adjustments

### 4.1.3.1 Armrest

- Standard armrest: detachable armrest
- Armrest is detached by drawing out self-locking pin and release the lever under the armrest. And then, you can disassemble the armrest upwards. (See Figures 4.16 and 4.17)



Figure 4.16



Figure 4.17



#### **CAUTION:**

Please make sure that the self-locking ring pin is inserted into the hole under the armrest before you use the armrest. (See Figure 3.2)

### 4.1.3.2 Elevating footrest

- You can elevate the footrest directly and stop anywhere you desired. (See Figure 4.18)
- When you want to go down, press the release lever. (See Figure 4.19)
- To adjust footplate height use the Karma tool provided to loosen the bolt at the side of the footrest arm. (See Figure 4.20)
- Adjust to required height and re-tighten. (See Figure 4.20)



#### **SUGGESTION:**

- Make sure that the footplate height is adjusted properly according to the user's calf length to reduce pressure on the body.
- The footplate height must be more than 5cm. (See Figure 4.21)



Figure 4.18



Figure 4.19



Figure 4.20



Figure 4.21





### **CAUTION:**

When adjust foot lengths, be sure user's thigh is safely on the seat upholstery smoothly. And inner knee doesn't hit the front edge of seat upholstery. (See the Figure 4-22 & 4-23)



Figure 4.22



Figure 4.23



Figure 4.24

#### **4.1.3.3 Assembling anti-tipper**

See the below figure, be sure the button is locked in the tube. And test its function. (See Figure 4.24)

#### **4.1.3.4 Rear Wheel**

Your wheelchair may be supplied with quick-release wheels. If so, please follow the instructions below.

##### **4.1.3.4.1 Rear Wheel Removal**

- Support the weight of the chair with one hand by holding the push handle.
- Depress the hub cover and hold down the quick-release mechanism.
- Remove the wheel. (See Figure 4.25)

##### **4.1.3.4.2 Rear Wheel Attachment**

- First ensure that the brake is in the OFF position. Take up the assembled wheel and axle and depress the button in the centre of the axle, as above. This retracts the ball bearings that will allow you to push the axle into the wheel bracket that is located on the lower rear frame of the wheelchair. When you remove your thumb from the button on the axle, the ball bearings should be visible protruding from the axle at the back of the wheel bracket. This will secure the wheel safely in the frame. (See Figure 4.26)



### **CAUTION:**

- You must make sure that the axle is fully located in the wheelchair bracket and that the ball bearings are fully open and have positively attached the wheel in the frame.
- The rear wheel can be mounted at different positions on the frame to alter the seat height and overall stability of the chair. Changing the wheel position should be carried out by your approved repairer or therapist.

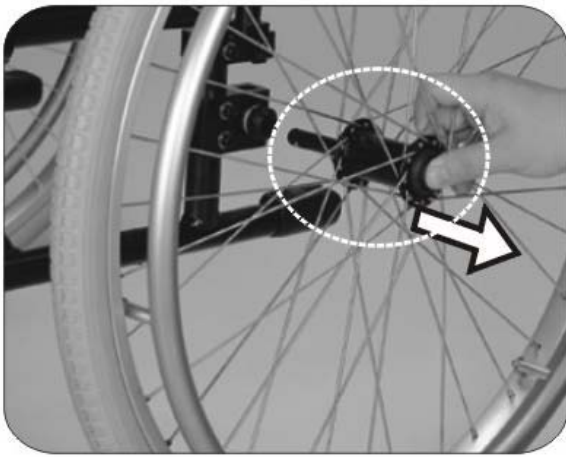


Figure 4.25

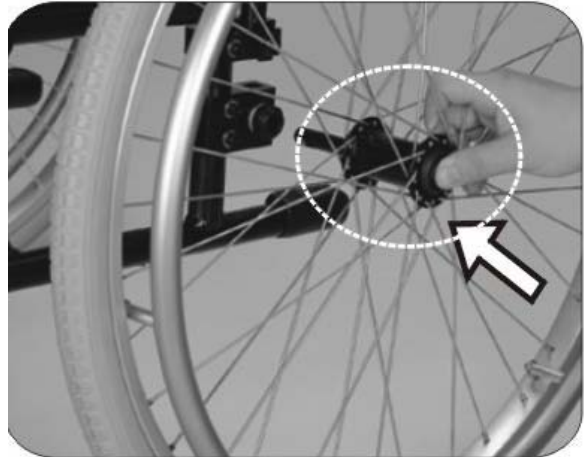


Figure 4.26

#### 4.1.3.5 Important Do's and Don'ts

- Do: Keep axles clean and lubricated with light oil or maintenance spray.
- Do: Maintain correct tire pressure if using pneumatic tyres(tires).
- Do not: Try to remove the wheels while the wheelchair is occupied even when using anti-tip levers.

#### 4.1.3.6 Safety Belt

##### How to assemble and disassemble the Safety Belt

- Loosen the fourth and fifth screws of both side of seat upholstery and insert the Safety Belt in between the fourth and fifth screw holes. (Figure 4.27)
- Keep the safety Belt in 45 deg for comfortable usage. (Figure 4.28)
- Put the seat upholstery back and tighten screws.

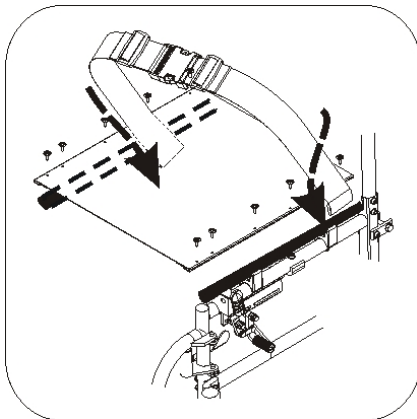


Figure 4.27

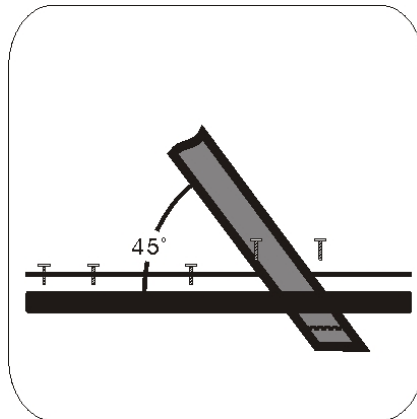


Figure 4.28

##### Adjusting length of seat belt

- Identify the require length of the belt. (Figure 4.29)
- Push the two part of belt through buckle to make the belt longer or shorter. (Figure 4.30)
- Pull the two part of belt tight. (Figure 4.31)
- Push buckle up to the plastic clip so that the belt can not slip out of position.

Please check that there is no gap between the belt and buckle if the wheelchair user has multiple careers. (Figure 4.32)



**SUGGESTION:**

We recommend that the belt is fitted quite tightly around the pelvis. Please tighten until you can just get your fingers between user and seat belt. Please check that the belt is fastened correctly as recommended. If this is not possible please consult your supplier.



Figure 4.29



Figure 4.30



Figure 4.31



Figure 4.32

**How to operate it:**

- When you sit on the wheelchair, fasten the safety belt.
- Adjust the belt and make it fit your body for comfort and security.
- When you don't use it, please fasten the belt to avoid the belt dropping into rear wheels during motion.

**Maintenance**

The Safety Belt is made from 100% polyester fibre and the clasp is made from plastic. It does not require any maintenance but should be inspected every month to ensure that the edges are not frayed and weekly to make sure that it correctly fits the user. If there are any signs of deterioration, please replace it immediately.

**4.1.4 Transportation and Storage**

Make sure the wheelchair is folded when stored.



**SUGGESTION:**

Please store the wheelchair in a location where it is out of direct sunlight, rain and dew. For more details, consult your Karma dealer.



**WARNING:**

Don't put anything on the wheelchair while it is in storage. Storing goods on a folded or unfolded wheelchair will cause damage and is not covered under warranty. (See Right Figure)



## 4.2 Transferring In and Out

### 4.2.1 Transferring In

- Engage both hand brakes.
- Turn the footplates up and swing them to the side.
- Lower the user into the seat, allowing them to use the armrests for support.
- Turn the footplates back down, so that the user can place his feet on them. Ensure that the heels rest against the heel supports to prevent contact with the castors(casters).
- Release both hand brakes.



#### **CAUTION:**

Always ensure that the front castors(casters) are in line with the rear wheels and pointing forwards and that the back of the chair is secure either against a wall or firmly held by an attendant.

### 4.2.2 Transferring Out

- Make sure that the chair is near your final destination.
- Move the wheelchair backwards so that the castors(casters) are pointing forwards and are in line with the rear wheels. Ensure that, where possible, the rear of the chair is against a wall or, if not, it must be firmly held by an attendant.
- Engage both hand brakes.
- Turn the footplates up and swing them to the side.
- Slide forwards on the seat. Place one foot firmly on the ground with the knee at a right angle and the other foot slightly apart and further back.
- Place your hands on the front of the armrests and moving your weight forward, bring your head and shoulders up over your knees as you push yourself up.

Some people have to side transfer.

- Flip back your armrest, and make sure that the chair is near your final destination.
- Prop up your body and move sideward slowly, using transfer board. Be careful to hit the brake or other components of wheelchair.



#### **CAUTION:**

- Never stand on the footplates when getting into (or out of) the chair. (See Figure 4.33)
- When getting in and out of the wheelchair please use the hand brakes. The hand brake is the lever at the side of the wheelchair.
- Please ensure that neither the tread on your tyres(tires) nor the brake block has become too worn. If pneumatic tires are fitted, please maintain at the recommended tyre(tire) pressure for the same reason.
- Please ensure that occupant's fingers do not get caught in the brake.

When transferring in and out of the chair, make sure that the brakes are applied to prevent the chair from sliding away. Also see that the footplates are flipped up for ease of entering or exiting. (See Figure 4.34)

## 4.3 General Use

### 4.3.1 Attendant Pushing and Self Propelling

- Ensure that the brakes are always locked when the chair is not being pushed. (See Figure 4.35)
- Always make sure that both feet are safely on the footplates and that clothing is safely tucked out of the way and cannot get caught in the wheels. (See Figure 4.36)
- Always use both hands on the push handles to control the chair. (See Figure 4.37)
- Always avoid steep or uneven surfaces because the chair may tip over. (See Figure 4.38)
- Always avoid soft surfaces because the castors(casters) may get bogged down. (See Figure 4.39)
- Always be careful not to go too fast or turn too quickly and try to achieve a smooth steady ride.
- Before crossing the road, please stop completely and look both ways.
- Cross tracks or ruts at right angles to avoid your castors(casters) getting stuck.
- Do not drive at full speed over the railroad tracks.
- Please keep your hands and arms inside the wheelchair when going through doorways.

PLEASE keep in contact with the person in the chair. If you stop to look in shop windows or talk to people, remember to turn the chair so that the person in the chair does not have to turn.


 **WARNING:**  
Never lock the brakes too suddenly as this may tip the user out of the chair.



Figure 4.33



Figure 4.34



Figure 4.35



Figure 4.36



Figure 4.37



Figure 4.38



Figure 4.39



Figure 4.40

### 4.3.2 Tilting by the Attendant

- Make sure both the user's feet are on the footplates and will not slip off. Make sure the handgrips are secure and cannot slip off.
- Release both brakes.
- Grasp both push handles firmly.
- Put your stronger foot on the relevant tipping tube at the back of the chair.
- Tell the person in the chair that you are about to tilt the chair backwards.
- Pull back with both hands and push down and forwards with the foot. This will bring the chair onto the back wheels. (See Figure 4.40)



#### **CAUTION:**

- When a chair is tilted to about 25 degrees it will balance on its rear wheels and be easy to hold. If it is tilted further back it will be difficult to hold and the person in the chair will feel unsafe.
- Lower with a straight back; keep your foot on the anti-tipper and lower the chair slowly forwards softly to the ground.

### 4.3.3 Tilting by the User

- Make sure your feet are on the footplates and will not slip off.
- Release both brakes.
- Grasp both push rims and give a firm, sudden forward push immediately before the obstacle, continue the momentum (be ready to keep pushing) until the obstacle is mounted.



#### **CAUTION:**

- This method should only be attempted by people experienced in wheelchair use. Strong arms are also necessary. It is always better to have the help of an attendant.
- Leaning backwards causes the castors(casters) to rise higher BUT it is much safer to lean forwards and stay balanced.

### 4.3.4 Going Down Kerbs(Curbs)

Please note: It is always better to avoid kerbs(curbs) where possible by using ramped kerbs(curbs) or slopes and this operation is best attempted with the aid of an attendant.

#### 4.3.4.1 Going Down Kerbs(Curbs) Forwards With an Attendant



##### **CAUTION:**

- This is the more difficult method and can jar the user but allows a better view of traffic.
- Be careful that the anti-tipper does not get caught on the kerb(curb) causing the user to fall.

#### **NEVER ALLOW THE CHAIR TO TIP FORWARDS WHEN GOING DOWN A KERB(CURB).**

- Position the chair so that the front castors(casters) are near the edge of the kerb(curb) and make sure that the road is clear.
- Move the chair slowly and carefully forwards while tilting it back slightly. Be ready to take the weight when the rear wheels cross the kerb(curb) edge. Ensure that both rear wheels touch the ground at the same time to avoid tipping the chair.
- Gently lower the front castors(casters). **AVOID JARRING THE USER.**

#### 4.3.4.2 Going Down Kerbs(Curbs) Backwards With an Attendant



##### **CAUTION:**

This is the easier and smoother method BUT it requires the attendant to step backwards into the road.

- Back the chair to the kerb(curb) edge and be careful that the back wheels are equally near the edge.
- Grasping the push handles, gently lower the rear wheels onto the road. Be prepared to control the weight as it descends and ensure that the back wheels touch ground at the same time.
- Tilt the chair back slightly and pull the tilted chair far enough into the road so that the castors(casters) and footrests can be lowered clear of the kerb(curb).

#### 4.3.5 Going Up Kerbs(Curbs)

Please note: This operation is best attempted with the aid of an attendant and the best method is to go up kerbs(curbs) forwards as this maintains the direction of travel and is physically less demanding for the attendant.

##### 4.3.5.1 Going Up Kerbs(Kurbs) Forwards With an Attendant

- As the footrests nearly touch the kerb(curb) tilt the chair. The chair should be tilted just high enough to allow the front castors(casters) to roll smoothly onto the pavement.
- Push the chair forward until the rear wheels are touching the kerb(curb). Then, continuing the movement, lift at the push handles while moving the chair forwards.

##### 4.3.5.2 Going Up Kerbs(Curbs) Backwards With an Attendant

Please note: for safety's sake we do not recommend using this method.

#### 4.3.6 Up and Down Steps/Stairs

Please note: avoid flights of steps particularly if no extra help is available.

Use ramps or lifts wherever possible.

Two attendants are necessary, each capable of carrying at least half of the combined weight of the person and the wheelchair.

Each helper should bend at the knees and grip the main frame: with the front attendants hands just under the front of the seat, with the back attendants' hands holding the frame just under the push handles.



**CAUTION:**

Don't attempt to lift the wheelchair by any removable (detachable) parts. Lifting by means of any removable (detachable) parts of wheelchair may result in injury to the user and/or assistant or damage to the wheelchair.

**ALL LIFTING SHOULD BE DONE WITH A STRAIGHT BACK.**

Straighten legs to lift the chair. Carefully carry it up or down steps; be aware of how you place your feet -- do not cross them and trip yourself up.

#### 4.4 Transportation

Do not use other transportation to pull the wheelchair.

This Karma wheelchair model in its standard configuration has passed crash test requirements according to ISO 7176-19 regulations. KM-5000 series can be used for transport in vehicles that have been specially adapted for this purpose. The wheelchair must be securely fastened in the vehicle according to the methods described on the following pages.

Karma always recommends that the user be transferred into car seat with a safety belt or harness while in a transport.



**SUGGESTION:**

Remember that the best solution is always to move the user from the wheelchair into a normal car seat.

#### 4.4.1 Before use



**WARNING:**

Before transporting the wheelchair please ensure that the armpad locking pin is in place. (see Fig 3.2)



**CAUTION:**

If the back angle of the wheelchair is adjustable, do make sure that the wheelchair backrest should be positioned as close as possible to 90 degrees.

- Please detach all easily removable accessories from the wheelchair and stow them in a safe place where they cannot move around and become a



safety hazard.

- A four point tie-down system should tightly fasten the lower wheelchair frame



(hook mark ) to the transport vehicle.

- An occupant restraint system using both a pelvis and harness must also be fastened to the transport vehicle to insure user safety. Again, please refer to the restraint system's instructions.
- The attendant / transporter must double-check all fastening points for proper connection and tightness to assure the wheelchair users safety. The attendant / transporter must be fully cognisant of the fastening system's usage and its weight limitations.
- See <http://www.unwin-safety.com/> for more information.



**CAUTION:**

When transporting or lifting, never hold on to attachments or accessories (front/rear wheels, handrims, castors(casters), footrests, armrests, anti-tippers etc.).

All lifting should be done with a straight back. Straight legs to lift the chair. Carefully carry it up or down steps; be aware of how you place your feet, do not cross them and trip yourself up.

## 5. INSPECTION AND MAINTENANCE

### 5.1 General Check

Check the following items before travelling. If you find anything abnormal, visit your Karma wheelchair dealer for further inspection before using it.

- Examine brakes, checking for wear, damage and misalignment. Replacing or adjusting the brakes should be carried out by your approved repairer.
- Check that the hand grips are not damaged and are securely bonded to the push handles.
- Check anti-tippers are not damaged and are securely attached.
- Check that the anti-tippers' wheels and frame are not damaged and are securely mounted.
- When the wheelchair used for a while, the user need to check the bolts and nuts are tight. Check all parts for damage or wear and have a qualified technician replace it if necessary. Check all parts for proper adjustment.
- Inspect brakes for proper operation.
- The wheels and tires tyres(tires) should be checked periodically for cracks and wear, and should be replaced by a qualified technician.
- A qualified technician can be found with an authorized distributor/dealer.



#### **CAUTION:**

Visit a Karma wheelchair dealer for inspection and maintenance if you find anything abnormal.

### 5.2 Regular Maintenance Record

To make sure your wheelchair is in good condition, visit your Karma wheelchair dealer regularly for maintenance (and keep records accordingly) every six months after purchasing.

A maintenance/service fee may apply.



#### **SUGGESTION:**

Even if you don't use the vehicle for a long time, the wheelchair should still be maintained annually.

Item	Weekly	Monthly
<b>GENERAL</b>		
● Wheelchair rolls straight (no excessive drag or pull to one side)		✓
<b>FRAME AND CROSS BARS</b>		
● Inspect frame structure for small cracks/fissures		✓
● Inspect for bent frame or cross bars		✓
<b>BRAKES</b>		
● Do not interfere with tyres(tires) when rolling		✓
● Pivot points free of wear and looseness		✓

● Easy to engage	✓	
● Prevent chair from moving when engaged	✓	
<b>SEAT &amp; BACKREST</b>		
● Inspect for rips or sagging	✓	
● Inspect for loose or broken hardware, such as the frame and etc.		✓
<b>CASTORS(CASTERS)</b>		
● Inspect the castors(casters) for smooth rotation		✓
● Inspect the castor(caster) for wear in the bearings/mountings and for tire wear or damage		✓
<b>REAR WHEELS</b>		
● Quick-release axles lock properly; lubricate if necessary	✓	
● No excessive side movement or binding when lifted and spun		✓
● Inspect for cracked, bent or broken spokes	✓	
<b>ARMRESTS</b>		
● Inspect the detachable armrest button for effective locking		✓
● Make sure the armrest detaches and flips back properly		✓
<b>FOOTRESTS</b>		
● Inspect the footplate height adjustment screws are securely tightened		✓
● Inspect the swing-away footrest release lever for effective locking		✓
<b>TYRES(TIRES)</b>		
● Inspect for flat spots, cracks and wear	✓	
● If pneumatic tyres(tires), check for proper inflation	✓	
● Check tyre(tire) tread depth is more than 1mm		✓
● Check tire pressure; tyre(tire) pressures are located on the side of the tyre(tire)	✓	



**CAUTION:**

Never disassemble or modify the wheelchair frame structure. Otherwise, injury or damage may occur. This will negate the warranty.

## 6. OPTION AND ACCESSORIES



- Magnesium Alloy Rear Wheel (MG-40)
  - Silver spokes + bright yellow tire.
  - Attaches to all Karma manual wheelchairs.



- I.V. Pole
  - Height adjusts from 130cm (51") to 200cm (78").
  - Attaches to all Karma manual wheelchairs.



- Oxygen Holder
  - Standard size attaches to the back of wheelchairs.
  - Attaches to all Karma manual wheelchairs.



- Backrest Bag
  - Standard size.
  - Attaches to all Karma manual wheelchairs.



- Folding Drink Holder
  - Collapses and adjusts to the size of the container (6-10cm).
  - Attaches to all Karma manual wheelchairs.

- Anti-tippers
  - Attaches to all Karma manual wheelchairs.



- Multi-purpose Safety Belt
  - Attaches to all Karma manual wheelchairs.



**CAUTION:**

Attaching accessories may alter the overall stability and centre-of-gravity of the chair. Thus, this should be performed by your approved repairer and therapist.

## 7. TROUBLESHOOTING

### Trouble or Problems with Your Wheelchair

You can inspect the following before taking your wheelchair to a Karma wheelchair dealer.

Problem	Checking Points and Corrective Action
Chair Veers Right/Left	<ul style="list-style-type: none"><li>•Check tires tyres(tires) for correct and equal pressure</li><li>•Check castor(caster) bracket angle</li><li>•Check that rear wheels are equally spaced from the seat frame</li></ul>
2. Sluggish Turn or Performance	<ul style="list-style-type: none"><li>•Check tyres(tires) for correct and equal pressure</li><li>•Check for loose nuts and bolts</li></ul>
3.Castor(Caster) Flutter/Wobble	<ul style="list-style-type: none"><li>•Check tyres(tires) for correct and equal pressure</li><li>•Check for loose nuts and bolts</li><li>•Check castor(caster) bracket angle</li></ul>
4. Squeaks and Rattles	<ul style="list-style-type: none"><li>•Check for loose nuts and bolts</li></ul>
5. Looseness in Chair	<ul style="list-style-type: none"><li>•Check for loose nuts and bolts</li></ul>

If you cannot solve the problem by yourself, contact your Karma wheelchair dealer for help.

## 8. SPECIFICATIONS

Model	KM-5000F24
Overall Length (mm)	1200
Overall Width (mm)	640
Overall Height (mm)	1290(930 without headrest)
Total Weight (kg)	20
Seat Width (mm)	432(17")
Seat Depth (mm)	420
Seat Height (mm)	510
Backrest Height (mm)	820/450(without headrest)
Armrest Height (mm)	230
Calf Length (mm)	430-530
Overall Collapsed Length (mm)	1130
Overall Collapsed Width (mm)	400
Overall Collapsed Height (mm)	930
Maximum User Weight (kg)	115

### Static stability (According to ISO 7176-1:1999)

Forward	Max. 25	Min. 21	degrees
Backward	Max. 24	Min. 22	degrees
Sideways	Max. 20	Min. 21	degrees

- The degree tolerance is +0, -1 degree.
- The test condition: size of test dummy used 115kg.



### Caution:

Please don't travel across a slope (in any direction) greater than 7 degrees.

## **9. CLEANING & RECYCLING**

### **9.1 CLEANING**

In order to lengthen the life of your wheelchair, it is suggested that you clean the wheelchair periodically (if not daily), especially after it is used in the rain or snow. We recommend that you don't use your wheelchair in the rain or snow. If you are travelling and get caught in the rain, we suggest you try to find shelter. If you can't find shelter, proceed to your destination.

Although your wheelchairs frame is aluminium, some parts such as screws nuts and spokes of wheels will rust if exposed to water. Please dry the wheelchair thoroughly if it is exposed to water. Please store in a dry place. Do not clean with an abrasive material.

#### **9.1.1 Frame**

Wipe with a damp cloth.

#### **9.1.2 Upholstery**

- When cleaning the upholstery, use warm water and a mild soap.
- Upholstery cleaner/foam can also be used, but avoid other cleaning solvents.

### **9.2 POST-CONSUMER RECYCLING**

A post-consumer recycling plan should follow the Environmental Protection Administration's regulations. The items listed below are for reference only as local laws and regulations may vary.

Material	Part Name	Method
Aluminum-alloy	Frame	Recyclable
Plastic	Modular Components	Recyclable
Paper	Owner's Manual	Recyclable

- There are many organizations in many countries you can find on the Internet that will accept used goods for charity. Please search the information highway to help less fortunate individuals and protect our planet for future generations. If you do not have access to the world wide web please use your local phone directory, ask for operator assistance or go to your local government centre for more information. Earth Day is every day.
- Check with your local recycling centre on where and how to recycle your wheelchair as this information varies from region to region.



## **10. WARRANTY**

### **10.1 Serial Number**

To ensure after-sale service and warranty, please record and fill in the serial number which can be found on the frame.

Model	KM-5000 series
Serial Number	

### **10.2 Warranty Policy**

#### **10.2.1 Contents and Duration of Warranty**

- Repair will be provided free of charge if the problems are due to manufacturing or defective components within the warranty period (a repair of this kind will hereafter be called warranty repair).
- Warranty repairs can be performed by authorized Karma wheelchair dealers only.
- Karma is not responsible for the transportation costs for repair and replacement.
- Replaced parts will be the property of Karma.

#### **10.2.2 Items Not Covered by Warranty**

- Irregularities that do not affect function and safety of product.
- Damage resulting from normal wear and tear.
- Problems arising due to lack of basic maintenance and self-inspection.
- Damage resulting from use not following operation guidelines.
- Installation or use of parts not manufactured by Karma.
- Damage resulting from use in unsuitable environments, refer to the statements in this manual.
- Any addition, modification, or alteration not authorized by Karma.
- Damage resulting from external factors such as chemicals, oil, debris, etc.
- Natural disaster.

#### **10.2.3 Karma is Not Responsible for The Following Costs**

- Replacement or refill of consumable parts, oil, lubricant.
- Inspection, adjustment, cleaning, etc.
- Karma designated self-inspection costs.

#### **10.2.4 Responsibilities**

##### **10.2.4.1 The Responsibilities of the User**

- Fully adhere to operation guidelines set forth in this manual.
- Perform self-inspection and basic maintenance.
- Keep a record of self-inspections and basic maintenance.
- Not permit any alteration, addition, or modification or use of parts not manufactured by Karma.
- Thoroughly read and understand this manual.

##### **10.2.4.2 The Responsibilities of the Dealer**

- Follow this manual and educate user about product operation and basic maintenance.
- Verify whether or not conditions of warranty have been met.
- Provide relevant warranty information and recommendations for improvements.

### 10.2.5 Stipulations

Consumables such as tires, front castors(casters), seat cushions, backrest cushions, etc. are not covered by the warranty.

### 10.2.6 Warranty Duration and Parts Covered by the Warranty

Please contact your local dealer.

### 10.2.7 Transfer of Warranty Rights

If you purchase a second-hand Karma wheelchair while it is still with in the warranty period, bring this owner's manual and the wheelchair to the dealership where the wheelchair was purchased for registration.

Full name:	
Gender:	
Date of Birth:	
Address:	
Model:	
Serial Number:	
Date of Purchase:	

#### Dealer's Data

Name of store:	
Telephone and Address:	

If you have any suggestions on how to improve our products, please don't hesitate contacting us know what you think of your wheelchair, our contact details are on [www.karmamobility.co.uk](http://www.karmamobility.co.uk) . Thank you and enjoy.

 <b>KARMA</b> MEDICAL PRODUCTS CO.,LTD. Number 2363 section. 2 Da-Shiue Rd., Min-Hsiung Shiang, Chia-Yi, Taiwan TEL: 886-(0)5-206 6688 FAX: 886-(0)5-206 7788 CE Representative 28 Newfield Road, Stoubridge, West Midlands DY9 OJR U.K TEL: +44(0)1562 885097 FAX: +44(0)1562 886838 <a href="http://www.karmamedical.com">http://www.karmamedical.com</a>
---





**KARMA: Leading the way, all the way.**

Established in 1987, KARMA is an energetic brand which designs, manufactures, and markets a full range of mobile disability products for worldwide markets. KARMA owns a strong in-house R&D team committed to providing the best product designs for our business partners. Our impeccable quality control allows KARMA to be an **ISO 9001** certified company. We have also surpassed the quality requirements for several different countries obtaining certification for **CE**, **BSI**, **CCC**, **FDA**, and **ASU**.

Nowadays, senior citizens and people with physical limitations from more than 30 countries can easily obtain KARMA's high quality products and service, including the UK, Germany, Denmark, Spain, U.S.A., Australia, New Zealand, Japan, Korea, and Taiwan to name just a few.

In each of these countries, KARMA has achieved a very good market position with great reputation. Together with its partners, KARMA continues to push forward, offering innovative life enhancement products that enable people to enjoy more active and rewarding lifestyles.



NATIONAL AGENT:

SOLD AND SERVICED BY:

*Karma reserves the right to modify information herein without further notice*



**KARMA MEDICAL PRODUCTS CO., LTD.**  
No.2363 Sec.2 Da-Shiue Rd., Min-Hsiung Shiang, Chia-Yi 621, Taiwan



[www.karmamedical.com](http://www.karmamedical.com)  
E-mail: [globalsales@karma.com.tw](mailto:globalsales@karma.com.tw)

UK USA Taiwan Thai