



**ALLIED  
MEDICAL**  
LIMITED

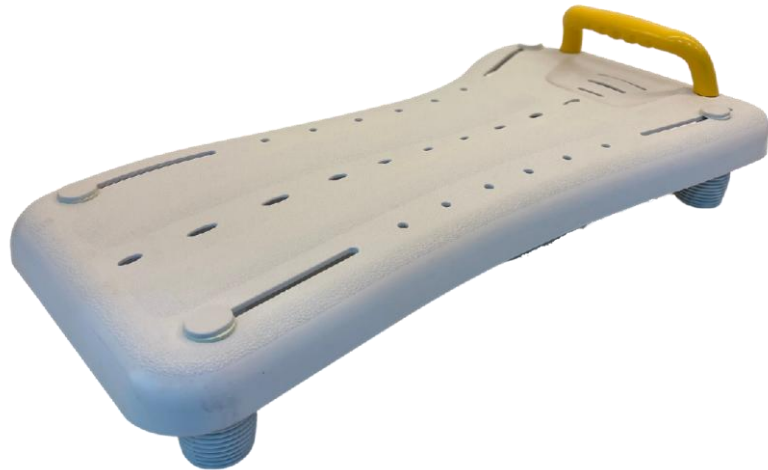
# USER MANUAL

Bath board

MP20301 & AML20303



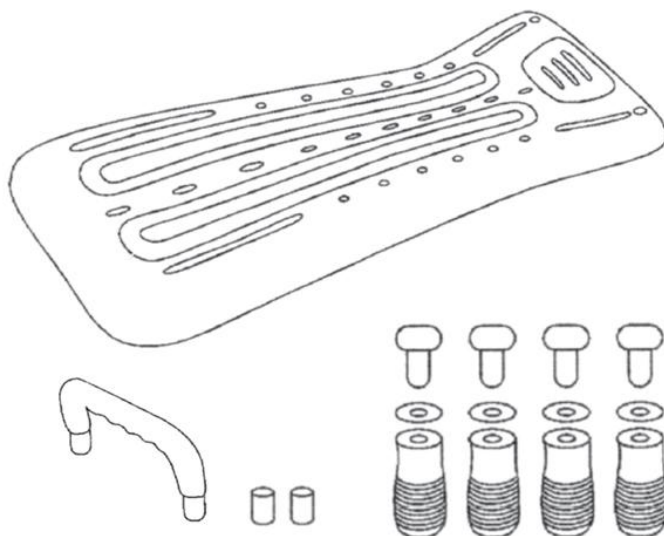
# BATH BOARD



## Warranty

1 year for main frame only, not including any consuming parts( wheels, brakes, and so on...)

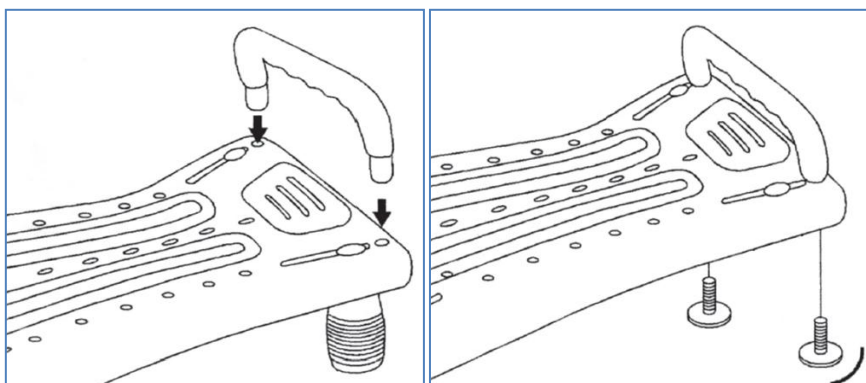
## Parts of the product



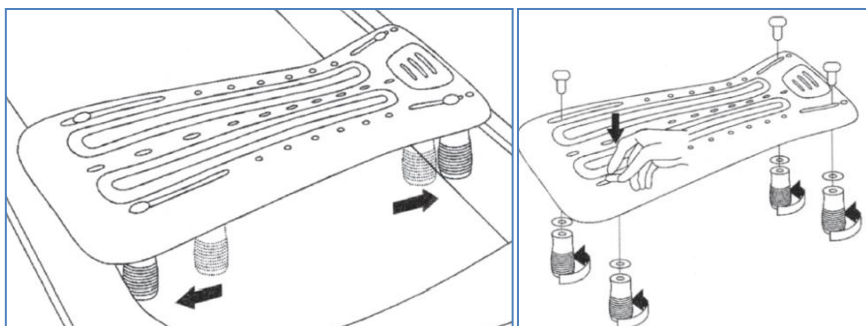
1	Bath board x 1pc
2	Handle x 1pc
3	Screws x 6pcs
4	Washer x 4pcs
5	Leg x 4pcs

## Assembly of accessories

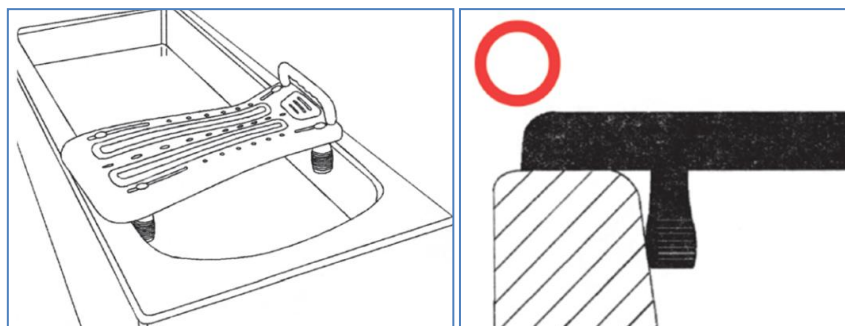
- Install the handle



- Adjust the legs to fix on the bathtub, then tight the screws



- Please note that the legs of bath board have to fix the bathtub



## Specification Sheet

Product name	BATH BOARD	
Product item number	HE20300020	HE20300010
Product N.W.	2.2KG	1.6KG
Weight capacity	400KG	250KG
Product Size L x W x H	730x350MM	690x350MM
Frame material	PP+FIBER	PP+FIBER
Package	5PCS/CTN	5PCS/CTN
Product G.W.	18KG	11KG